

# **REVISION**

## **MODEL 525 ILLUSTRATED PARTS CATALOG -0685 AND -0800 AND ON**

**REVISION 9  
1 JUNE 2018**

### **525PCC09**

**The entire catalog is provided with this revision. Please  
replace your current catalog in its entirety.**



Beechcraft



Hawker

TEXTRON AVIATION

---

# Illustrated Parts Catalog

# MODEL 525

(-0685 AND -0800 AND ON)

 Member of GAMA

COPYRIGHT © 2013  
TEXTRON AVIATION INC.  
WICHITA, KANSAS, USA

525PCC09

**1 NOVEMBER 2013**

REVISION 9

1 JUNE 2018



CESSNA®  
**MODEL 525 (SERIALS -0685 AND -0800 AND ON)**  
ILLUSTRATED PARTS CATALOG

<b>CHAPTER SECTION SUBJECT</b>	<b>NUMBER OF PAGES</b>	<b>DATE</b>
00 - TITLE		
00 - LIST OF EFFECTIVE PAGES		
00 - RECORD OF REVISIONS		
LIST OF REVISIONS	1	Jun 1/2018
INTRODUCTION	9	Jul 1/2014
ICA SUPPLEMENT LIST	1	Jun 1/2017
SERVICE BULLETIN LIST	1	Jun 1/2018
SUPPLIER ADDRESS LIST	11	Jun 1/2018
ALPHABETICAL INDEX	39	Jun 1/2018
PART NUMBER INDEX	134	Jun 1/2018









CESSNA®  
**MODEL 525 (SERIALS -0685 AND -0800 AND ON)**  
ILLUSTRATED PARTS CATALOG

**LIST OF REVISIONS**

**1. Revisions**

- A. This Illustrated Parts Catalog includes the original issue and the revisions listed in Table 1. To ensure that information in this manual is current and the latest maintenance and inspections procedures are available, the revisions must be incorporated in the manual as they are issued.

Table 1. Basic Manual - Original Issue-1 November 2013

<b>Revision Number</b>	<b>Date</b>	<b>Revision Number</b>	<b>Date</b>
1	1 July 2014	2	1 October 2014
3	1 June 2015	4	1 December 2015
5	1 June 2016	6	1 November 2016
7	1 June 2017	8	1 December 2017
9	1 June 2018		

**2. Export Compliance**

- A. This publication contains technical data and is subject to U.S. export regulations. This information has been exported from the United States in accordance with export administration regulations. Diversion contrary to U.S. law is prohibited.

ECCN: 9E991



CESSNA®  
**MODEL 525 (SERIALS -0685 AND -0800 AND ON)**  
 ILLUSTRATED PARTS CATALOG

**INTRODUCTION**

**1. Purpose**

- A. This Illustrated Parts Catalog (IPC) includes the illustration and identification of replacement parts and assemblies necessary for maintenance of the specified aircraft model. The Catalog gives the information available at the time of publication.  
  
Refer to the Maintenance Manual, not to this Illustrated Parts Catalog, for removal and installation procedures. The airplane operator must use the applicable rules to establish the status or airworthiness of the airplane.
- B. This IPC is prepared in accordance with the Air Transport Association 2200 Specification Format.
- C. Chapter 11 contains procurable placards. Country designated placards are specified by foreign certification authorities and put into groups identified by an International Civil Aviation Organization (ICAO) identifier in the page footer.
- D. Placards identified by the Code of Federal Regulations (CFRs) include: cockpit information, including instrument markings and any related limitations, aircraft operating limitations, power plant and auxiliary power unit instruments, flight control markings, fuel, oil, door and emergency exit information, limitations on storage compartments, loading, passenger cabin safety, and safety equipment operation.
- E. The information in this publication is based on data available at the time of publication and is updated, supplemented, and automatically amended by service letters, service bulletins, publication revisions, reissues, ICA supplements, and temporary revisions which are issued through subscription services available from Customer Service. All such amendments become part of and are specifically incorporated within this publication. The latest changes to this publication are given through Customer Service subscription services and/or Citation Service Center and Citation Service Stations.
- F. This Catalog does not include inspection, maintenance, and parts requirements for Supplemental Type Certificate (STC) installations. When an STC installation is incorporated on the airplane, an inspection is necessary in accordance with the inspection program published by the owner of the STC for the parts of the airplane for which the installation has an effect. Since STC installations can change 1) the system's interface, 2) operation qualities, and 3) component loads or stresses on adjacent structures, it is possible that Cessna's inspection specifications will not apply to airplanes with STC installations.

**2. How to Get Customer Assistance**

- A. Customer Service

<b>CESSNA CUSTOMER SERVICE</b>	
Mailing Address	One Citation Lane Wichita, KS 67209

(1) If you need assistance with a general support question, publication information, or subscriptions, visit our website at **CessnaSupport.com** or contact:

<b>CESSNA CUSTOMER SERVICE</b>	
Phone Numbers	316-517-5800 1-800-4Cessna option 2 (1-800-423-7762)
Fax	316-517-5802
Email Address	<b>Customercare@txtav.com</b>

CESSNA®  
**MODEL 525 (SERIALS -0685 AND -0800 AND ON)**  
ILLUSTRATED PARTS CATALOG

**3. Effectivity**

- A. Numbers in the effectivity column show the serialization limits for the part. For example, the numbers 0001 in the "Effect From" column and the number 0023 in the "Effect To" column show that the part is used on airplanes 1 through 23. If the right column adjacent to the figure title is blank, the figure is applicable for all serials. If the right column adjacent to the indented installations, assemblies, or part numbers is blank, the part is applicable for all serials.

**NOTE:** Information in this Illustrated Parts Catalog is applicable to U.S. and Foreign Certified airplanes. Parts for foreign certified airplanes are identified by applicable serialization and by special note.

**4. Electronic Media**

- A. Publications for this aircraft model are available in paper and as electronic media. The paper publications are available as individual publications such as the Maintenance Manual, Parts Catalog, etc. The electronic media service publications are available in a DVD, download, Online and mobile application library that contain multiple books together.

**5. Part Number Index (Paper)**

- A. Part Numbers in the Numerical Index are shown in sequence, in accordance with (first) the extreme left digit, then (second) the next digit to the right. This sequence continues throughout the numbers, from left to right. The digits are shown in the sequence of: space, decimal, slash(/), symbol (such as #), numbers in numerical order, then alphabetical letters.
- B. The Part Number Index is a complete listing of all parts included in the Detailed Parts Lists.

**6. Nomenclature**

- A. The indentation system used in the detailed Parts List of this Catalog shows how the parts are related. For a given item, the indentation code shows a system, installation, or general heading that starts in the extreme left position and continues down into columns in sequence, until the end detail is completed. Refer to Figure 1.
- B. The degree of indention of each item shows how the items are related. For example, the Battery Installation is in the first indention of the nomenclature column. The Battery Assembly Manifold is the subsequent lower assembly and is shown in the second indention of the nomenclature column. Refer to Paragraph A, General System of Assembly Order.
- C. If two or more assemblies contain a majority of identical parts or if the assemblies are left and right counterparts, the assemblies are in sequence. The subsequent indented assemblies or detail parts apply to both higher-level assemblies, with the different parts coded to show that they are used on the specified, applicable assembly.
- D. Attaching parts are shown immediately after the item to be attached and before any detail parts for the item. Attaching parts are shown with the same indention as the item they attach and include the caption "Attaching Parts". The end of the attaching parts list is followed by the symbol" ---\*---

CESSNA®  
**MODEL 525 (SERIALS -0685 AND -0800 AND ON)**  
ILLUSTRATED PARTS CATALOG

A16285

- 1 2 3 4 5 6 7
- Installation
  - . Detailed Parts for Installation
  - . Assembly
    - . Attaching Parts for Assembly
      - . . Detailed Parts for Assembly
      - . . Sub-Assembly
        - . . Attaching Parts for Sub-Assembly
          - . . . Detailed Parts for Sub-Assembly
          - . . . Sub-Sub-Assembly
            - . . . Attaching Parts for Sub-Sub-Assembly
              - . . . . Detailed Parts for Sub-Sub-Assembly

Order of Assembly  
Figure 1

- E. The indenture of a component part shows if it is a part of an assembly or if it is independent of the assembly. Components independent of an assembly have the same indenture as the assembly. Components of an assembly are identified by an additional indenture and follow any attaching parts for the assembly.

**7. List of Effective Pages (Paper Versions)**

- A. A List of Effective Pages in the front of each chapter of the Illustrated Parts Catalog shows all pages within the chapter in sequence, with the current revision date for each page. A revised List of Effective Pages is included for each Illustrated Parts Catalog revision.

**8. Revision Filing Instructions (Paper Version)**

- A. Regular Revision
  - (1) Refer to the List of Effective Pages of each chapter when you add a revision.
  - (2) Pages changed by the revision will be indicated by the revision date on the page and on the List of Effective Pages for that chapter. The revised page replaces the existing page in the catalog.
  - (3) Existing pages no longer needed in the catalog are indicated by "Deleted" on the List of Effective Pages. These pages are to be removed and discarded. When a page has been deleted by a revision, the List of Effective Pages for subsequent revisions do not list the page.
- B. Temporary Revisions
  - (1) Put pages of a Temporary Revision in the applicable chapter in accordance with the filing instructions on the first page of the Temporary Revision.
  - (2) Temporary Revisions should be removed from the catalog only when replaced by a revision to the catalog or by instructions noted on the superseding Temporary Revision.

**9. Revision Indicators**

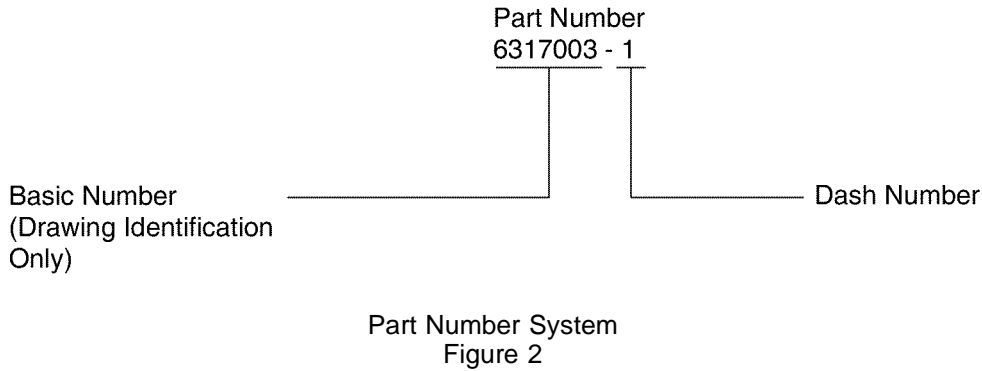
- A. Additions, deletions, or revisions to the Parts List are identified by the letter "R" in the right margin of the page adjacent to the change or addition. When technical changes cause unchanged text to show on a different page, an "R" is shown in the margin opposite of the affected items.

**10. Cessna Part Numbering System**

- A. The basic number identifies the Cessna drawing only. Each installation, assembly or detailed part is assigned a part number and includes a seven-digit drawing number and the applicable dash number. Refer to Figure 2.

CESSNA®  
**MODEL 525 (SERIALS -0685 AND -0800 AND ON)**  
 ILLUSTRATED PARTS CATALOG

A16284



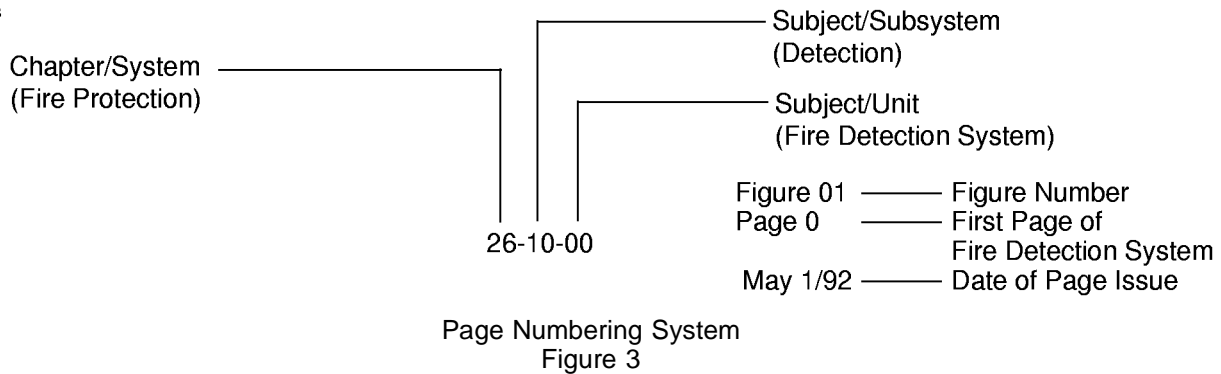
**11. Standard Parts**

- A. Many parts having standard usage have been incorporated into the Cessna Standard System. Parts in this group are designated with the part number prefix "S", "CM", or "C".
- B. Parts for standard hardware items such as screws, nuts, clamps, etc., are designated with the standard part number prefix "AN", "NAS", or "MS".

**12. Page Numbering System**

- A. The Page Numbering System in the Illustrated Parts Catalog has three-element numbers with dashes between the numbers, with the figure number, page number and date printed to the side. Refer to Figure 3.

A16283



**13. Part Number Column**

- A. This column contains the manufacturer's part number used to identify the item.

**14. Units Per Assembly Column**

- A. The quantity listed in the Units Per Assembly column is the quantity used per item. The quantity shown for attaching parts is the quantity necessary to attach only one item. To find the total quantity necessary to attach more than one item, multiply the quantity of attaching parts by the number of items to be attached.

**15. Symbols and Part Number Terms**

- A. When the term, "REFER TO", is in the Nomenclature column and the Units Per Assembly column shows "RF", the figure referred to will be the next highest assembly of the referred item.

CESSNA®  
**MODEL 525 (SERIALS -0685 AND -0800 AND ON)**  
ILLUSTRATED PARTS CATALOG

- B. When the term, "DELETED-NOT USED", appears in the Nomenclature column, it signifies that the index number was used but is no longer required. This procedure is used to eliminate re-indexing of all items following the deleted part.
- C. When the letters BKI (Bulk Item) are in the Nomenclature column and the Units Per Assembly column indicates "AR" (As Required), refer to Cessna Service Parts Center for prices and units of measure.

**16. Abbreviations Commonly Used**

ALT	Alternate	IPC	Illustrated Parts Catalog
AR	As Required	NP	Non-Procurement
ASSY	Assembly	RF	Reference
BKI	Bulk Item	SB	Service Bulletin
FSO	For Spares Order	TR	Temporary Revision

**17. Bulk Items**

- A. Items such as flexible air hose, rubber moldings and channels, and windshield sealing strips are shown in the Parts List as bulk items (BKI).
- B. A bulk item is supplied in the bulk or cut length or quantity for an installation.

**18. Serial and Color**

- A. When you make an order for upholstered material, carpet, or interior trim, make sure that you include the airplane model and serial number. This information makes sure that you receive the correct color combination.

**19. Definition of Text Page Information**

- A. Refer to Figure 4.
  - (1) The Figure number is the illustration for the highest-level assembly specified in the applicable Parts List.
  - (2) The number in the indented Item column is the index number shown to call out that item or that part in the applicable illustration.
  - (3) When the item number for a part has a dash before the number, it is not specified on the illustration.
  - (4) A number in the Units Per Assembly (Units Per Assy) column is the quantity of the part used in the next-higher-level of the assembly or installation.
  - (5) A number in the Effectivity (Effect From To) column shows that the manufacturer uses the part only on specified airplanes, that is, for airplanes within a serial number range given in the Effectivity column.
  - (6) The AR in the Units Per Assembly (Units Per Assy) column is for those parts with the quantity "As Required."
  - (7) When an alternative part number applies to a part, it is shown immediately after the part which it can replace. The entry ALT FOR in the Nomenclature column refers to the alternative part number.
  - (8) A USED ON or USED WITH note in the Nomenclature column includes the next higher assembly of a part when the part does not apply to all of the next higher assemblies that are given immediately before the part.
  - (9) Parts that are used only on a left or right installation or assembly include LH or RH in the Nomenclature column.
  - (10) When an installation or assembly has RF in the Units per Assembly (Units per Assy) column, that installation or assembly also is in the Parts List for the cross-reference figure specified in the Nomenclature column. The numerical Units-Per-Assy data is given only in the cross-reference figure.

CESSNA®  
**MODEL 525 (SERIALS -0685 AND -0800 AND ON)**  
ILLUSTRATED PARTS CATALOG

- (11) When the Parts List page shows the letter R in the right margin, the R refers to the addition or revision of text for that line in the Parts List of the applicable IPC revision.
- (12) A Supplier's part number is identified in the Part Number column and the federally supplied vendor code follows the nomenclature in the Nomenclature column.



**CESSNA®**  
**MODEL 525 (SERIALS -0685 AND -0800 AND ON)**  
**ILLUSTRATED PARTS CATALOG**

A16286

**CESSNA AIRCRAFT COMPANY**  
**MODEL XXX**  
**ILLUSTRATED PARTS CATALOG**

FIG ITEM	PART NUMBER	NOMENCLATURE	EFFECT		UNITS PER ASSY
			FROM	TO	
1	09A	OVERHEAD CONSOLE INSTALLATION	0617	& ON	RF
-	-	PANEL ASSY-OVERHEAD CONSOLE REFER TO NOTE 1	0617	0626	01
2	4811329-1	PANEL ASSY-OVERHEAD CONSOLE FSO 4811329-6 REFER TO NOTE 1	0627	0649	NP
3	4811329-6	PANEL ASSY-OVRHD CONSOLE REFER TO NOTE 1	0650	0681	01
4	4811550-1	PANEL ASSY-OVRHD CONSOLE LH REFER TO NOTE 1	0682	0703	01
5	4811550-13	PANEL ASSY-OVRHD CONSOLE LH REFER TO NOTE 1	0704	0723	01
6	4811805-1	PANEL ASSY-OVRHD CONSOLE LH REFER TO NOTE 1	0724	& ON	01
7	4811805-3	PANEL ASSY-OVRHD CONSOLE LH REFER TO NOTE 1 USED WITH REFRESHMENT CENTER	0724	& ON	01
8	4811550-2	PANEL ASSY-OVRHD CONSOLE RH REFER TO NOTE 1 FSO 4811550-10	0682	0702	NP
9	4811550-10	PANEL ASSY-OVRHD CONSOLE RH REFER TO NOTE 1	0703	0723	NP
10	4811805-2	PANEL ASSY-OVRHD CONSOLE RH REFER TO NOTE 1	0724	& ON	01
-	-	ATTACHING PARTS			
-	11 MS27039-0806	SCREW	0617	0681	18
-	12 S1477-08	NUT-CLIP	0617	0681	16
13	CL2C8	CABLE	V99862	0617	0681 06
14	CL-2-F	FERRULE	V99862	0617	0681 12
15	6519002-106	HOOK	0617	0681	06
16	MS21068L08	NUTPLATE	0617	0681	06
-	17 F990048	FABRIC FASTENER-PILE BKI	0682	0723	02
-	18 F990118	HOOK BKI	0682	0723	02
19	6519311-4	RETAINER ASSY-NO SMOKING/FASTEN SEAT BELT SIGN	0617	0681	02
20	6519187-50	BRACKET ASSY	0617	0649	02
21	6519187-52	BRACKET ASSY	0650	0681	02
9	22 CM3657-3	SCREW	0617	0681	08
23	4811557-15	PLATE ASSEMBLY-LH	0682	0723	02
24	4811557-18	PLATE ASSEMBLY-RH	0682	0723	02
25	4811557-13	PLATE ASSEMBLY	0682	0723	08
26	4811557-16	PLATE	0682	0723	01
8	27 NAS1149FN816P	WASHER	0682	0723	28 R
-	28 NAS1149FN816P	WASHER USED WITH REFRESHMENT CENTER	0724	& ON	24
-	29 MS21042-08	NUT	0682	0723	28
-	30 MS21042-08	NUT USED WITH REFRESHMENT CENTER	0724	& ON	24
31	6519187-29	FASTENER-FABRIC	0617	0681	02
32	4811164-27	GRILL ASSY-SPEAKER	0617	0621	04
33	4811164-37	GRILL ASSY-SPEAKER	0622	0630	04
34	4811331-15	GRILL ASSY-SPEAKER	0631	& ON	04
-	35 F990034	FABRIC FASTENER-HOOK BKI			AR
36	4811329-7	GRILL-AIR REGISTER	0650	0681	01
-	37 4811329-3	COVER-SPEAKER GRILL	0617	0681	04
38		LIGHT ASSY REFER TO 33-20-00 FIGURE 01			RF R
39	4811164-23	LENS-FWD	0617	0626	02
40	4811164-39	LENS-FWD	0627	0681	02
-	41 4811331-7	LENS-AFT	0617	0626	02
-	42 4811331-12	LENS-AFT	0627	0681	02
7	43 215-120106-03	FASTENER	V02768		10
44	80-001516	FASTENER ALT FOR 215-120106-03	V02768		10
45		OXYGEN BOX AND LINES REFER TO 35-20-00 FIGURE 02			RF R
46	5515126-61	BRACKET ASSY	0617	0681	05
-	47 MS21069L08	NUTPLATE	0617	0681	06
48	6519002-187	BRACKET ASSY	0617	0681	01
-	49 MS21069L06K	NUTPLATE	0617	0681	03
50	6219286-1	DOUBLER ASSY	0617	0681	01
51	MS21075L3E	NUTPLATE	0617	0681	04
52	6519219-1	CHIME BEZEL ASSY	0617	0646	01
53	6519219-3	CHIME BEZEL ASSY	0647	0681	01
-	54 4811557-1	CHIME GRILL	0682	& ON	01
55	F990034	FABRIC FASTENER-HOOK BKI	0617	0681	AR
56		CHIME ASSY REFER TO 23-30-01 FIGURE 02			RF R
57		SIGN ASSY-NO SMOKING AND FASTEN SEAT BELT REFER TO 33-20-00 FIGURE 01			RF R

NOTE 1—WHEN ORDERING THIS PART, ALSO PROVIDE AIRPLANE MODEL AND SERIAL NUMBER.

R

- ITEM NOT ILLUSTRATED

© Cessna Aircraft Company

Figure 09A  
Page 1  
Aug 1/2007

**25-20-01**

Sample Page  
Figure 4

**INTRODUCTION** Page 7  
Jul 1/2014

CESSNA®  
**MODEL 525 (SERIALS -0685 AND -0800 AND ON)**  
 ILLUSTRATED PARTS CATALOG

**20. How to Use the Catalog if the Part Number is Known (Paper Version)**

A. Refer to Figure 5

- (1) Find the part number in the Part Number Index.
- (2) Refer to the chapter, section, subject, figure, and item number.
- (3) Go to the chapter, section, subject, and figure.
- (4) Find the part on the illustration and in the part number column by item number.

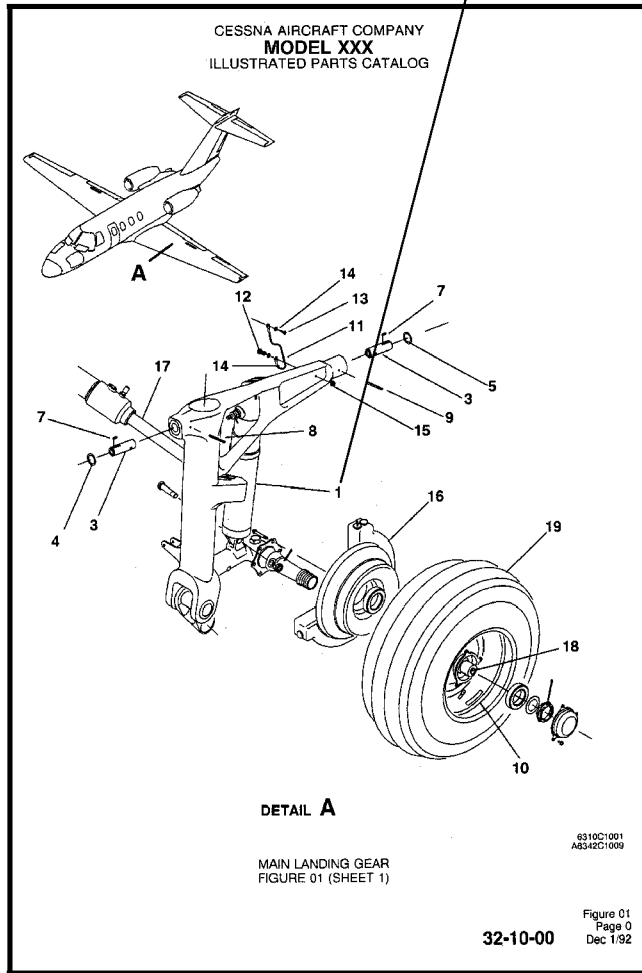
A16287

CESSNA AIRCRAFT COMPANY MODEL XXX ILLUSTRATED PARTS CATALOG				CESSNA AIRCRAFT COMPANY MODEL XXX ILLUSTRATED PARTS CATALOG			
PART NUMBER	CH-SEC-SUBJ-FIG-ITEMREQ	TTL FICHE/FRAME	PART NUMBER	CH-SEC-SUBJ-FIG-ITEMREQ	TTL FICHE/FRAME		
6331025-16	55-31-00-01-020	01	6341003-1	32-10-00-01-001	01		
6331025-17	55-31-00-01-001	01	6341003-2	32-10-00-01-002	01		
6331025-18	55-31-00-01-011	01	6341004-3	32-30-00-02-112	01		
6331025-21	55-31-00-01-005	01	6341004-4	32-30-00-02-113	01		
6331025-22	55-31-00-01-006	01	6341006-1	32-30-01-01-001	01		
6331025-3	55-10-00-01-010	01	6341006-2	32-30-01-01-002	01		
6331025-4	55-10-00-01-011	01	6341006-3	32-30-01-01-010	01		
6331025-5	55-30-01-01-017	01	6341006-4	32-30-01-01-011	01		
6331026-4	55-30-01-01-018	01	6341100-1	32-40-00-01-001	02		
6331027-3	55-30-01-01-012	01	6341112-1	32-10-00-01-003	02		
6332000-1	55-10-00-01-001	01	6342000-10	32-20-00-01-001	01		
6332003-10	55-10-00-01-085	02	6342001-1	32-30-01-02-075	01		
6332003-9	55-10-00-01-086	02	6342002-6	11-20-00-01-003	01		
6332004-3	55-10-01-01-004	01	6352000-17	54-10-00-01-010	01		
6332004-4	55-10-00-01-084	02	6352000-18	54-10-00-01-011	01		
6332004-5	55-10-01-01-007	01	6352000-27	54-10-00-01-019	02		
6332004-6	55-10-01-01-016	01	6352000-28	54-10-00-01-020	02		
6332004-7	55-10-00-01-001	01	6352000-7	54-10-00-01-018	01		
6332004-8	55-10-01-01-010	01	6352000-8	54-10-00-01-017	01		
6332014-7	55-10-00-01-013	01	6352100-41	54-10-00-01-001	02		
6332017-1	55-10-00-01-013	01	6352100-42	54-10-00-01-002	01		
6332017-2	55-10-00-01-014	01	6352200-19	71-10-00-01-025	01		
6332018-1	55-10-00-01-020	01	6352200-21	71-10-00-01-018	01		
6332018-2	55-10-00-01-021	01	6352200-25	71-10-00-01-018	01		
6332018-10	55-10-00-01-082	02	6352200-26	71-10-00-01-013	01		
6332018-2	55-10-00-01-083	02	6352200-27	71-10-00-01-014	01		
6332018-3	55-10-00-01-027	02	6352200-28	71-10-00-01-017	01		
6332018-6	55-10-00-01-077	02	6352200-30	71-10-00-01-019	01		
6332018-7	55-10-00-01-077	02	6352200-35	71-10-00-01-001	01		

**PART NUMBER INDEX** Numeric-Page 19  
Dec 1/92

CESSNA AIRCRAFT COMPANY MODEL XXX ILLUSTRATED PARTS CATALOG			
FIGURE ITEM	PART NUMBER	NOMENCLATURE	EFFECT FROM TO UNITS PER ASSY
01			
1	6341003-1	MAIN LANDING GEAR	RF
2	6341003-2	GEAR ASSY-MAIN LH REFER TO NOTE 1	OC 01
		ATTACHING PARTS	
3	6341112-1	PIN-FWD AND AFT	O2
4	6541219-2	WASHER-FWD	O1
5	6541219-1	WASHER-AFT	AR
6	6541219-2	KEY-FWD AND AFT	AR
7	NASS56P40448	KEY-FWD AND AFT	O2
8	NASS51P6-36	PIN-FWD	O1
9	NASS51P6-32	PIN-AFT	O1
		PLACARD-TIRE PRESSURE REFER TO 11-20-00	RF
10		FIGURE 1	
11	MS25083-28B6	JUMPER ASSY-LH AND RH	RF
		ATTACHING PARTS	
12	MS27039-1-11	SCREW	O1
13	MS27035-1-07	SCREW	AR
14	AN560JD10L	WASHER	O2
15	MS21042L3	NUT	O1
		BRAKE ASSY-MAIN LH AND RH REFER TO	RF
16		32-40-00 FIGURE 1	
17		ACTUATOR ASSY-MAIN LANDING GEAR REFER TO	RF
18		32-30-00 FIGURE 2	
19		TRANSDUCER-ANTI-SKID BRAKE REFER TO	RF
		32-41-00 FIGURE 3	
		WHEEL AND TIRE ASSY REFER TO 32-40-00	RF
		FIGURE 1	
		NOTE 1---REFER TO COMPONENTS MAINTENANCE	
		MANUAL FOR BREAKDOWN	
		ITEM NOT ILLUSTRATED	

32-10-00 Figure 01  
Page 1 Dec 1/92



**DETAIL A**  
MAIN LANDING GEAR  
FIGURE 01 (SHEET 1)

6310C1001  
A8342C1009

Figure 01  
Page 0  
Dec 1/92

Known Part Number Example  
Figure 5

CESSNA®  
**MODEL 525 (SERIALS -0685 AND -0800 AND ON)**  
 ILLUSTRATED PARTS CATALOG

**21. How To Use Catalog If Part Number Is Unknown (Paper Version)**

**A. Refer to Figure 6.**

- (1) Refer to the Alphabetical Index.
- (2) Refer to the main group in which the part is listed.
- (3) Go to the chapter, section, subject and figure number in which the part should be shown.
- (4) Go to the illustration and find the part.
- (5) Refer to the corresponding item number in the part number column.

A16288

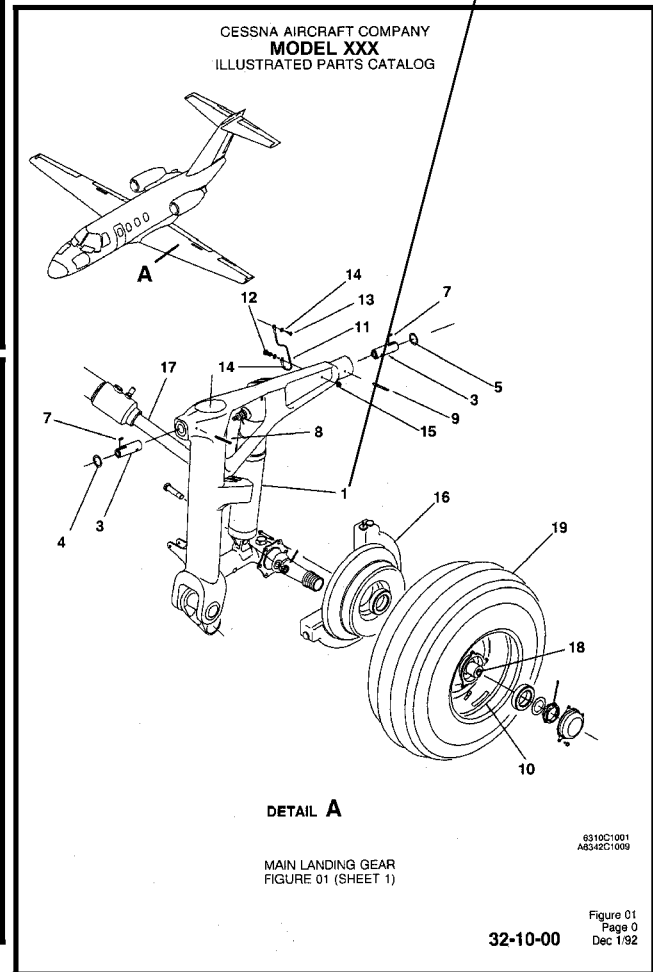
CESSNA AIRCRAFT COMPANY MODEL XXX ILLUSTRATED PARTS CATALOG					
0006	NOMENCLATURE	CH	SEC	SUBJ FIG ITEM	FICHE/ FRAME
	<b>G</b>				
	GAGE-OXYGEN PRESSURE	35	00	00	-01 -155
	GALGE-PRESSURE BRAKE SYSTEM	32	41	00	-01 -115
	GEAR ASSY-MAIN LH REFER TO NOTE 1	32	10	00	-01 -001
	GEAR ASSY-MAIN RH REFER TO NOTE 1	32	10	00	-01 -002
	GEAR ASSY-NOSE REFER TO NOTE 1	32	20	00	-01 -001
	GEAR EMERGENCY CONTROL SYSTEM-FUSelage	32	30	00	-03 -000
	GEAR EMERGENCY CONTROL SYSTEM-NOSE	32	30	00	-04 -000
	GEAR EMERGENCY CONTROL SYSTEM-PNEUMATIC	32	30	00	-06 -000
	GEAR EMERGENCY CONTROL SYSTEM-WING	32	30	00	-05 -000

ALPHABETICAL INDEX Page 6  
Dec 1/92

0367

CESSNA AIRCRAFT COMPANY MODEL XXX ILLUSTRATED PARTS CATALOG					
FIGURE ITEM	PART NUMBER	1 2 3 4 5 6 7	NOMENCLATURE	EFFECT FROM TO	UNITS PER ASSY
01			MAIN LANDING GEAR		RF
1	6341003-1		GEAR ASSY-MAIN LH REFER TO NOTE 1		01
2	6341003-2		GEAR ASSY-MAIN RH REFER TO NOTE 1		01
			ATTACHING PARTS		
3	5241112-1		PIN-FWD AND AFT		02
4	5541219-2		WASHER-FWD		01
5	5541219-1		WASHER-AFT		AR
6	5541219-2		WASHER-AFT ALT FOR 5541219-1		02
7	NAS561P6-4-8		KEY-FWD AND AFT		01
8	NAS561P6-36		PIN-FWD		01
9	NAS561P6-32		PIN-AFT		01
			PLACARD-TIRE PRESSURE REFER TO 11-20-00		RF
10			FIGURE 1		
11	MS25083-2886		JUMPER ASSY-LH AND RH		01
			ATTACHING PARTS		
12	MS27035-1-11		SCREW		01
13	MS27035-1-07		SCREW		01
14	AN560J10		WASHER		02
15	MS21042L3		NUT		01
16			BRAKE ASSY-MAIN LH AND RH REFER TO 32-40-00 FIGURE 1		RF
17			ACTUATOR ASSY-MAIN LANDING GEAR REFER TO 32-30-00 FIGURE 2		RF
18			TRANSDUCER-ANTI-SKID BRAKE REFER TO 32-41-00 FIGURE 2		RF
19			WHEEL AND TIRE ASSY REFER TO 32-40-00 FIGURE 1		RF
			NOTE 1---REFER TO COMPONENTS MAINTENANCE MANUAL FOR BREAKDOWN		
			ITEM NOT ILLUSTRATED		

Figure 01  
Page 1  
Dec 1/92



Unknown Part Number Example  
Figure 6



CESSNA®  
**MODEL 525 (SERIALS -0685 AND -0800 AND ON)**  
ILLUSTRATED PARTS CATALOG

**ICA SUPPLEMENT LIST**

<b>ICA Supplement Number</b>	<b>Revision</b>	<b>Title</b>	<b>ICA Supplement Date</b>	<b>Manual Incorporation Date</b>
ICA-525-21-00001	-	AIR CONDITIONER SYSTEM	Jan 26/2009	Oct 01/2014
ICA-525-25-80001	-	MODEL 525-0940 TRAINER CONFIGURATION	Feb 27/2017	Jun 01/2017
ICA-525-29-00002	D	HYDRAULIC PRESSURE SWITCH IMPROVEMENT	Jun 24/2010	Oct 01/2014
ICA-525-32-00002	A	IMPROVEMENT TO NOSE GEAR ACTUATOR LOCKING MECHANISM	Oct 27/2008	Oct 01/2014
ICA-525-34-00005	A	GARMIN G3000 INTEGRATED AVIONICS SYSTEM - ADJUSTMENT/TEST	Dec 06/2016	Jun 01/2017
ICA-525-35-00002	B	OBSERVER SEAT OXYGEN SYSTEM	May 05/2009	Oct 01/2014
ICA-525-55-00001	-	RUDDER INSTALLATION	May 01/2008	Noc 01/2013
ICA-GEN-34-00001	-	COLLINS FMS 4.0 SYSTEM UPDATES	Aug 29/2008	No Effect
ICA-GEN-34-00002	A	GARMIN GPS-500W	Aug 27/2008	Oct 01/2014
ICA-GEN-34-00004	-	COLLINS DBU-5000	Sep 08/2008	No Effect



CESSNA®  
**MODEL 525 (SERIALS -0685 AND -0800 AND ON)**  
 ILLUSTRATED PARTS CATALOG

**SERVICE BULLETIN LIST**

**1. General**

- A. The Service Bulletin List provides the service bulletin number, title and date. If a service bulletin has been revised, the revision number is listed. If a service bulletin has been included in this manual, the manual revision date is given.

<b>Service Bulletin</b>	<b>Revision</b>	<b>Service Bulletin Title</b>	<b>Service Bulletin Date</b>	<b>Included In Manual</b>
<b>SB525-24-31</b>	1	Electrical Power - Power J-Box Start Relay Modification	Dec 31/2017	Jun 1/2018
<b>SB525-25-30</b>		Extended Recline Right Forward Divider Installation	Apr 16/2014	Jul 1/2014
<b>SB525-33-09</b>		Cockpit Lighting Improvement	Jun 17/2014	No Effect
<b>SB525-31-03</b>		Indicating/Recording Systems - AReS II Software Update	Jul 15/2015	1 Jun/2016
<b>SB525-34-89</b>		Navigation - Garmin G3000 3.2 Software Upgrade	Dec 18/2015	No Effect
<b>SB525-34-91</b>		Navigation - Stormscope System Installation	Dec 18/2015	1 Jun/2016
<b>SB525-34-92</b>		Navigation - Garmin G3000 Surfacewatch Installation	Dec 18/2015	1 Jun/2016
<b>SB525-34-93</b>		Navigation - Radar Ground Clutter Suppression Installation	Apr 20/2016	No Effect





CESSNA®  
**MODEL 525 (SERIALS -0685 AND -0800 AND ON)**  
ILLUSTRATED PARTS CATALOG

**SUPPLIER ADDRESS LIST**

00141	PIC DESIGN 86 BENSON Rd. P.O. BOX 1004 MIDDLEBURY, CT 06762-1004	04426	ITW SWITCHES DIV. of ILLINOIS TOOL WORKS INC. 2550 Millbrook Dr. Buffalo Grove, IL 60089-4694
00198	PRATT AND WHITNEY CANADA INC. 100 Matie-Victoria Blvd. Logue Vil, Quebec, Canada J4G1A1	04710	WESCON PRODUCTS, INC. 2533 S West St. Wichita, KS 67277-7710
00624	EATON AEROQUIP, INC. ENGINEERED SYSTEMS DIV. 300 S. East Ave. Jackson, MI 49203-1972	05167	PACIFIC SCIENTIFIC CO. ADVANCED TECHNOLOGY GROUP HTL DIV. 1800 Highland Ave. Duarte, CA 91010
00779	TYCO ELECTRONICS CORP. 2800 Fulling Mill M/X 38-77 Middletown, PA 17057	05209	TED MFG. CORP. 11415 Johnson Dr. Shawnee Mission, KS 66203-2641
01276	EATON-AEROQUIP, INC. FLUID CONNECTORS PRODUCTS 1660 Indian Wood Cir. Maumee, OH 43537-4004	06090	RAYCHEM CORP. DIV. TYCO ELECTRONICS 300 Constitution Dr. Menlo Park, CA 94025-1111
02217	PURITAN-BENNETT AERO SYSTEMS CO. SUB OF PURITAN-BENNETT CORP. SUPERSEDED BY 16827 111 Penn St. El Segundo, CA 90245	06141	L-3 COMMUNICATIONS CORP. 6000 Fruitville Rd. Sarasota, FL 34232
02570	SWAGELOK CO. 29500 Solon Rd. Solon, OH 44139-3449	06177	PNEUDRAULICS, INC. 8575 Helms Ave. Rancho Cucamonga, CA 91730
02697	PARKER-HANNIFIN CORP. O-RING DIV. - SEAL GROUP 2360 Palumbo Dr. P.O. Box 11751 Lexington, KY 40509	06383	PANDUIT CORP. 17301 Ridgeland Tinley Park, IL 60477
03481	GOODRICH CORP. AEROSPACE DIV. ENGINEERED POLYMERS PRODUCTS 150 Division Dr. Wilmington, NC 28401	06981	HALOGEN INSULATOR & SEAL CORP. 150 Gaylord Elk Grove Village, IL 60007

CESSNA®  
**MODEL 525 (SERIALS -0685 AND -0800 AND ON)**  
ILLUSTRATED PARTS CATALOG

07060	CONOVER C.E. & CO. INC. DIV. OF CONOVER INDUSTRIES 333 Passaic Ave. Fairfield, NJ 07006	0CUJ4	PIVOT POINT, INC. 225 NORTH HIGHLAND STREET P.O. BOX 488 HUSTISFORD, WI 53034
07688	JOINT ELECTRON DEVICE ENGINEERING COUNCIL 2500 Wilson Blvd., Suite 220 Arlington, VA 22201-3834	0E6H7	ADVANCED INDUSTRIES INC. 4550 Southeast Blvd. P.O. Box 16400 Wichita, KS 67210
07941	KORFUND DYNAMICS A Unit of VMC An Aeroflex Inc., Co. 113 Main St. P.O. Box 37 Bloomington, NJ 07403	0GZF3	HEADS UP TECHNOLOGIES INC. 2033 Chennault Suite 100 Carrollton, TX 75006-5097
088F2	INTERNATIONAL COMMUNICA- TIONS GROUP ICG, INC. 200 ENTERPRISE Dr. NEWPORT NEWS, VA 23603-1300	0JFH8	IGUS BEARINGS INC. 50 N. Broadway St. P.O. Box 4349 East Providence, RI 02914
09445	DUKES, INC. 9060 Winnetka Ave. Northridge, CA 91324-3293	0TRC3	GARMIN INTERNATIONAL, INC. 1200 East 151st St. Olathe, KS 66062-3426
0A1K8	MICHELIN AIRCRAFT TIRE CORP. 1305 Perimeter Rd. Greenville, SC 29605	0U058	ESSEX PB & R CORP. 505 Blue Ball Rd. P.O. Box 791 Elkton, MD 21921
0A4W2	ZITES, INC. 1415 E. Waterman St. Wichita, KS 67211	0U8J3	THRANE & THRANE, INC. 509 Viking Dr., Suite KLM Virginia Beach, VA 23452-7323
0AJJ0	BF GOODRICH Co. Ice Protection System 1555 Corporate Woods Pky. P.O. Box 1277 Uniontown, OH 44685	0XJE0	WORLD MICRO COMPONENTS INC. 205 HEMBREE PARK DR STE 105 ROSWELL, GA 30076
0B9E8	ENVIRO SYSTEMS INC. 4000 Hwy. 99 North P.O. Box 1260 Seminole, OK 74868	0YCE4	GLOBAL ENGINEERING & TECHNOLOGY 1720 S. 151st West Goddard, KS 67052
0CUF4	L K D AEROSPACE INC. 11225 12th Ave. NW. Suite B-2 Issaquah, WA 98027-8966	0ZQ52	MOUSER ELECTRONICS, INC. 10000 N. Main St. Mansfield, TX 76063

CESSNA®  
**MODEL 525 (SERIALS -0685 AND -0800 AND ON)**  
ILLUSTRATED PARTS CATALOG

10402	WHELEN ENGINEERING CO., INC. Rt. 145 Winthrop Road Chester, CT 06412	14208	MINNEAPOLIS SPEAKER CO. DBA MISCOSPEAKERS 2637 32nd Ave. South Minneapolis, MN 55406-1641
10989	PALL AEROPOWER CORP. SUBDIVISION OF PALL CORP. 6301 49th St. N Finellas Park, FL 34655-5798	14314	PRECISION SENSORS, INC. 50 Seemans Lane Milford, CT 06460-4337
11139	THE DEUTSCH CO. ENGINEERED CONNECTING DEVICES 36033 Whittier Ave. Hemet, CA 92545	14550	LUMINESCENT SYSTEMS, INC. 77 Olean Rd. East Aurora, NY 14502-0000
11704	SWAGELOK CANADA LTD. 4605 Kent Ave. Niagara Falls, Ont CAN L2E 6S8	14923	AERODYNE CONTROLS CORP. 30 Haynes Court Ronkonkoma, NY 11779
13029	VAN DUSEN AIR INC. AIRCRAFT SUPPLIES DIV. P.O. Box 10133 Lambert Field St. Louis, MO 63145	15284	EATON CORP. BELTSVILLE PLANT - FLUID CONVEYANCE DIV. 11642 Old Baltimore Pike Beltsville, MD 20705-1294
13103	THERMALLOY CO., INC. 2700 Research Dr. Suite 200 Plano, TX 75074-8334	15860	NEW HAMPSHIRE BALL BEARING, INC. ASTRO DIV. 155 Lexington Ave. Laconia, NH 03426
13499	ROCKWELL INTERNATIONAL CORP. 400 Collins Rd., NE. Cedar Rapids, IA 52498	16017	KGS ELECTRONICS, INC. 418A E. Live Oak Ave. Arcadia, CA 91006-5690
13603	SPYRAFLO INC. 304 Dividend Dr. P.O. Box 2249 Peachtree City, GA 91505	16827	BE AEROSPACE, INC. DBA OXYGEN SYSTEMS PRODUCTS DIV. 10800 Pflumm Rd. Lenexa, KS 66215-2182
13691	SENSOR SYSTEMS, INC. 8929 Fullbright Ave. Chatsworth, CA 91311-6124	19541	BIMBA CORP. CO. 101 Main St. Monee, IL 60449
13764	MICRO PLASTICS, INC. Hwy. 178 N. P.O. Box 149 Flippin, AR 72634	19710	MPC PRODUCTS CORP. 7426 N Linder Ave. Skokie, IL 60077-3219
13862	ALASCO RUBBER & PLASTICS CORP. 617 Mountain View Ave. Building #7 Belmont, CA 94002-2532	1E045	AUSTIN HARDWARE AND SUPPLY CO. 950 NW. Technology Dr. Lee's Summit, MO 64086-5692

CESSNA®  
**MODEL 525 (SERIALS -0685 AND -0800 AND ON)**  
 ILLUSTRATED PARTS CATALOG

1NPE1	AVIATION DEVICES & ELECTRONIC COMPONENTS LLC 1810 MONY St. FORT WORTH, TX 76102	26044	SAF INDUSTRIES, LLC DBA GAR-KENYON TECHNOLOGIES 238 Water St. Naugatuck, CT 06770-0559
1NQ67	AIRCELL 1172 Century Dr. Building B, Suite 280 Louisville, CO 80027	26066	MINNESOTA MINING & MFG., CO. INDUSTRIAL TAPE DIV. 3M Center St. Paul, MN 55101
1QGN5	MEDIAIRE INC. DBA MEDLINK 80 E. Rio Salado Pkwy. Suite 610 Tempe, AZ 85281-9103	26433	PARKER-HANNIFIN CORP. AIRBORNE DIV. 711 Taylor St. P.O. Box 4032 Elyria, OH 44036
1XE65	BIRK AEROSYSTEMS CORP. 7522 Slater Ave. 116 Huntington Beach, CA 92647	26835	PARAMOUNT PLASTICS, INC. 13215 SE 30th St. Bellevue, WA 98005
20748	PONCA PRODUCTS, INC. 2204 S. Mead Wichita, KS 67211-5020	29440	BERG WINIFRED M., INC. 499 Ocean Ave. East Rockaway, NY 11518
21335	TIMKEN U.S. CORP. FAFNIR BEARINGS DIV. 336 Mechanic St. Lebanon, NH 03766-0267	29780	MONOGRAM INDUSTRIES, INC. MONOGRAM/SANITATION GROUP SUBDIVISION OF NORTEX, INC. 4030 Freeman Blvd. P.O. Box 5002 Redondo Beach, CA 90278
23936	WILLIAM J. PURDY CO. INTERFAN DIV. 770 Airport Blvd. Burlingame, CA 94010	29822	EXTRUSION TECHNOLOGY INC. 800 Trim Way Randolph, MA 02368
24403	ENIDINE INC. 7 Centre Dr. Orchard Park, NY 14127	2X920	LEE AIR, INC. 4603 S. Seneca St. Wichita, KS 67217-4524
24984	HYDRAFLOW 13259 E. 166th St. Cerritos, CA 90703-2269	2Y828	BF GOODRICH FLIGHT SYSTEMS 7020 Hantley Rd. Columbus, OH 43229-1022
25583	L-3 COMMUNICATIONS AVIONICS SYSTEMS, INC. 5353 52nd St. S.E. Grand Rapids, MI 49512-9704	30242	AVTECH CORP. 3400 Wallingford Ave. N. Seattle, WA 98103
25693	MEGGITT SAFETY SYSTEMS, INC. 1915 Voyager Ave. Simi Valley, CA 93063-3349		

CESSNA®  
**MODEL 525 (SERIALS -0685 AND -0800 AND ON)**  
 ILLUSTRATED PARTS CATALOG

30780	PARKER-HANNIFIN CORP. TUBE FITTINGS DIV. 3885 Gateway Blvd. Columbus, OH 43228	3YHW1	MID-CONTINENT CONTROLS, INC. 901 RIVER ST. DERBY, KS 67037
30817	LAIRD TECHNOLOGIES 1 Shielding Way Deleware Water Gap, PA 18327-0000	43223	ALBERTS, BJ CO. INC. 537 S. Main St. Wichita, KS 67201
31435	LUCAS AEROSPACE POWER EQUIPMENT CORP. 8380 Darrow Rd. Twinsburg, OH 44087-2329	43321	L-COM INC. DBA L-COM DATA PRODUCTS 45 Beechwood Dr. North Andover, MA 01845-1023
31845	SEALTH AERO MARINE CO. 16001 Millcreek Blvd. SE. Bothell, WA 98012	4F5N8	BOSCH REXROTH CORPORATION 14001 S LAKES DR SOUTH POINT BUSINESS PARK CHARLOTTE, NC 28273-6791
32108	BOSE CORP. THE MOUNTAIN FRAMINGHAM, MA 01701	4R1R7	AMAZING MAGNETS 3943 IRVINE BLVD STE 92 IRVINE, CA 92602
33269	PARKER-HANNIFIN CORP. AIRCRAFT WHEEL AND BRAKE DIV. 1160 Center Rd. P.O. Box 158 Avon, OH 44011-1208	4V792	ROCKWELL INTERNATIONAL CORP. COLLINS GENERAL AVIATION DIV. 400 Collins Road, NE Cedar Rapids, IA 52498
33463	NOVATRONICS INC. 677 Erie St. P.O. Box 610 Stratford, Ont N5A 6V6 Canada	4W953	PRECISION PATTERN, INC. 1643 S. Maize Rd. Wichita, KS 67209
34163	AEROSPACE SYSTEMS AND COMPONENTS, INC. 1620 S. Broadmoor Wichita, KS 67218	51296	STARR, CHARLES A. CO. 14713 1/2 Oxnard St. Van Nuys, CA 92411-3122
34830	KRATOS INC. AVIATION PROD DIV. 403 S. Raymond Ave. Pasadena, CA 91105	51351	COMANT INDUSTRIES, INC. 12920 Park St. Santa Fe Springs, CA 93022
39428	MCMASTER-CARR SUPPLY CO. 600 County Line Rd. Elmhurst, IL 60126-2034	52607	ACTRON MFG., INC. 3800 E. Mira Loma Ave. Anaheim, CA 92806
3CYG3	SANYO DENKI AMERICA, INC. 468 Amapola Ave. Torrance, CA 90501-1474	53257	DYNAMCO INC. 410 Industrial Blvd. McKinney, TX 75069

CESSNA®  
**MODEL 525 (SERIALS -0685 AND -0800 AND ON)**  
ILLUSTRATED PARTS CATALOG

53655	AVOX SYSTEMS, INC. FORMERLY SCOTT TECHNOLOGIES 225 Erie St. Lancaster, NY 14086-9502	59959	ROCKWELL COLLINS, INC. 10801 120th Ave. NE. Kirkland, WA 98033
54071	APPH WICHITA, INC. 1445 South Sierra Dr. Wichita, KS 67209-2933	60253	ARTEX AIRCRAFT SUPPLIES, INC. 10714 Township Rd. P.O. Box 1270 Canby, OR 97013
55635	DAYTON-GRANGER, INC. 3299 SW. 9th Ave. P.O. Box 350550 Fort Lauderdale, FL 33335	60380	TIMKEN U.S. CORP. NEEDLE BEARINGS DIV. 336 Mechanic St. Lebanon, NH 03766-0267
55787	STABILUS 1201 Tullip Dr. Gastonia, NC 28052	60980	MEGGITT SILICONE PRODUCTS, INC. 2010 Lafayette Ave. P.O. Box 887 McMinnville, OR 97128-0887
56337	MEDECO SECURITY LOCKS, INC. US. Rt. 11 W At Allegheny Dr. P.O. Box 3075 Salem, VA 24153	61526	TURCK-MULTIPROX, INC. 3000 Campus Dr. Minneapolis, MN 55441-5019
56501	THOMAS & BETTS CORP. 8155 T & B Blvd. Memphis, TN 38125	62139	SELBY FURNITURE HARDWARE CO., INC. 17 E. 22nd St. New York, NY 10010
56644	AURORA BEARING CO. 970 S. Lake St. Aurora, IL 60506-5929	66197	ELECTRONIC CABLE SPECIALISTS AND ELECTRICAL CONSERVATION SYSTEMS INC. 11227 W. Forest Home Ave. Franklin, WI 53132-1202
56987	CAPTIVE FASTENER CORPORATION 115 BAUER DR. OAKLAND, NJ 07436-3103	66530	CLICK BOND DIV. OF PHYSICAL SYSTEMS, INC. 2151 Lockheed Way Carson City, NV 89701-0713
57399	EASTERN AERO MARINE 3850 NW 25th St. Miami, FL 33142-6720		
58755	LEGRIS, INC. 244 Paul Rd. P.O. Box 24710 Rochester, NY 14624-4927		
58918	AEROSPACE CONTROL PRODUCTS INC. 1314 W. 76th St. Davenport, IA 52806		
58982	AMPHENOL PCD, INC. Centennial Park 2 Technology Dr. Peabody, MA 01960-7907		

CESSNA®  
**MODEL 525 (SERIALS -0685 AND -0800 AND ON)**  
ILLUSTRATED PARTS CATALOG

68030	GOODRICH CORP. AEROSPACE AND DEFENSE DIV. AIRCRAFT TIRE S. Stanley School Rd. Rt. 1 Box 105 Norwood, NC 28128	73134	ROLLER BEARING CO. OF AMERICA, INC. HEIM BEARINGS DIV. 60 Round Hill Rd. Fairfield, CT 06430
70134	AERO INSTRUMENT CO., INC. 14901 Emery Ave. Cleveland, OH 44135	73197	HI-SHEAR CORP. 2600 Skypark Dr. Torrance, CA 90509
70436	ARENS CONTROLS, INC. 2017 Greenleaf St. Evanston, IL 60202-1028	73842	GOODYEAR TIRE & RUBBER CO. 1144 E. Market Akron, OH 44316
70655	AUTO VEHICLE PARTS CO. 7 Sperti Dr. P.O. Box 17350 Covington, KY 41017	74863	PIC DESIGN 86 Benson Rd. Middlebury, CT 06762
71041	INCOM INTERNATIONAL INC. BOSTON GEAR DIV. INC. 14 Hayward St. North Quincy, MA 02171	74868	AMPHENOL CORP. COMMUNICATION & NETWORK PRODUCTS DIV. 1 Kennedy Ave. Danbury, CT 06810-5803
71286	ALCOA GLOBAL FASTENERS, INC. CAMLOC PRODUCTS DIV. DBA ALCOA FASTENING SYSTEMS 3014 West Lomita Blvd. Torrance, CA 90505	75345	KIRKHILL RUBBER CO. 300 E. Cypress St. Brea, CA 92821
71366	BUNTING BEARINGS CORP. 1001 Holland Park Blvd. Holland, OH 43528-9287	76005	LORD CORP. AEROSPACE PRODUCTS DIV. 1635 W. 12th St. P.O. Box 10039 Erie, PA 16514
71400	COOPER BUSSMAN, INC. 114 Old State Rd. P.O. Box 14460 St. Louis, MO 63021-5942	76374	EATON AEROSPACE, LLC POWER & LOAD MANAGEMENT SYSTEMS 2250 Whitefield Ave. Sarasota, FL 34243-3962
72625	DIAMOND CHAIN CO. DIV. OF AMSTED IND. INC. 402 Kentucky Ave. P.O. Box 7045 Indianapolis, IN 46207	77896	REXNORD, INC. BEARING DIV. 2400 Curtis St. Downers Grove, IL 60515
72794	DZUS FASTENER CO., INC. 425 Union Blvd. West Islip, NY 11795-3116	77969	RUBBERCRAFT CORP. OF CALIFORNIA LTD. 15627 S. Broadway Gardena, CA 90248
72850	MOTOR COMPONENTS, LLC 2243 Corning Rd. Elmira, NY 14903-1094		

CESSNA®  
**MODEL 525 (SERIALS -0685 AND -0800 AND ON)**  
ILLUSTRATED PARTS CATALOG

78385	STEWART-WARNER SOUTH WIND CORP. 2495 Directors Row Suite F Indianapolis, IN 46241-5534	82829	ALLEN AIRCRAFT PRODUCTS INC. 6168 Woodbine St. P.O. Box 1211 Ravenna, OH 44266-1211
79326	TRANSDIGM INC. ADEL/WIGGINS GROUP 5000 Triggs St. P.O. Box 22228 Los Angeles, CA 90022	83014	HARTWELL CORP. 900 S. Richfield Rd. Placentia, CA 92870
80539	SPS TECHNOLOGIES INC. AEROSPACE AND INDUSTRIAL PRODUCTS DIV. 2701 S. Harbor Blvd. P.O. Box 1259 Santa Ana, CA 92704-5803	83086	NEW HAMPSHIRE BALL BEARINGS INC. HI-TECH DIV. 175 Jaffery Rd. Peterborough, NH 03458-1709
81343	SOCIETY OF AUTOMOTIVE ENGINEERS 400 Commonwealth Dr. Warrendale, PA 15096	83259	PARKER-HANNIFIN CORP. COMPOSITE SEALING SYSTEMS DIV. 7664 Panasonic Way San Diego, CA 92154-8206
81376	SOUTHWEST PRODUCTS CO. 2240 Buena Vista St. Irwindale, CA 91010-3318	83326	SAFE FLIGHT INSTRUMENT CORP. New King St. P.O. Box 550 White Plains, NY 10602
81579	MASON ELECTRIC CO., INC. SUBDIVISION OF CLAROSTAT MFG. CO., INC. 440 W. Los Feliz Rd. Glendale, CA 91204	83930	TRANSDIGM, INC. DBA ADEL WIGGINS GROUP 5000 Triggs St. Los Angeles, CA 90022-4833
81590	KORRY ELECTRONICS, INC. 901 Dexter Ave. North Seattle, WA 98109-3536	84256	AVIBANK MFG., INC. 210 S. Victory Blvd. P.O. Box 391 Burbank, CA 91502
81640	EATON CORP. AEROSPACE AND COMMERCIAL CONTROL DIV 2250 Whitfield Ave. E Sarasota, FL 34243-9703	84375	TELEDYNE BATTERY PRODUCTS TELEDYNE INC. CO. 840 W. Brockton Ave. P.O. Box 431 Redlands, CA 92374
82389	SWITCHCRAFT, INC. SUBDIVISION OF RAYTHEON 5555 N. Elstron Ave. Chicago, IL 60630-1314	84830	LEE SPRINGS CO., INC. 1462 62nd St. Brooklyn, NY 11219-5413
82647	SENSATA TECHNOLOGIES INC. 529 Pleasant St. Attleboro, MA 02703-2421		



CESSNA®  
**MODEL 525 (SERIALS -0685 AND -0800 AND ON)**  
ILLUSTRATED PARTS CATALOG

84834	LEGRIS CO. New York, NY 14624	92867	ORSCHELN CO., INC. 1177 N. Morley St. P.O. Box 280 Moberly, MO 65270
84971	TA MFG., INC. SUBDIVISION OF ESTERLINE 28065 W. Franklin Pkwy. Santa Clarita, CA 91380-9031	93061	PARKER-HANNIFIN CORP. BRASS PRODUCTS DIV. 300 Parker Dr. Otsego, MI 49708-1472
84992	INDUSTRIAL FASTENERS CORP. North Roslyn Industrial Park 7 Harbor Park Dr. Port Washington, NY 11050	94222	SOUTHCO, INC. 210 N. Brinton Lake Rd. P.O. Box 0116 Concordville, PA 19331-0116
85932	ELECTROFILM, INC. 27727 Ave. Scott P.O. Box 55249 Valencia, CA 91355	94581	NATIONAL UTILITIES CORP. DIV. OF NUCO INDUSTRIES INC. 135 E. Railroad Ave. Monrovia, CA 91016-4562
91511	AUTO VALVE, INC. 1707 Guenther Rd. Dayton, OH 45427	95105	ROCKWELL INTERNATIONAL CORP. COLLINS DEFENSE COMMUNICATIONS 350 Collins Rd. NE. Cedar Rapids, IA 52498-0508
91812	JANCO CORP. 3111 Winona Ave. P.O. Box 3038 Burbank, CA 91504	95957	BROWNLIN/BROOKS AND PERKINS AN AAR CO. REPLACED BY 32707 2950 W. Lomita Blvd. Torrance, CA 90505
91816	CIRCLE SEAL CONTROLS, INC. 2301 Wardlow Cir. Corona, CA 92880	97153	BF GOODRICH CO. AEROSPACE DIV. AIRCRAFT WHEEL & BRAKE OPERATIONS 101 Waco St. P.O. Box 340 Troy, OH 45373-3835
91833	KEYSTONE ELECTRONICS CORP. 31-07 20th Rd. Astoria, NY 11105	97484	TECHNICAL DEVELOPMENT CO. 24 E. Glenolden Ave. Glenolden, PA 19036-2107
91836	KINGS ELECTRONICS CO., INC. 1685 Overview Dr. Rockhill, SC 29730		
91929	HONEYWELL, INC. SENSING & CONTROL DIV. 11 W. Spring St. Freeport, IL 61032		
92092	BF GOODRICH CO. 440 Middlefield St. Middletown, CT 06457-3570		
92555	THE LEE CO. 2 Pettipaug Rd. P.O. Box 424 Westbrook, CT 06498		

CESSNA®  
**MODEL 525 (SERIALS -0685 AND -0800 AND ON)**  
 ILLUSTRATED PARTS CATALOG

98087	ITT CORP. ITT AEROSPACE CONTROLS ITT NEO-DYNE 28150 Industry Dr. Valencia, CA 91355-4101	HAAM	HAFELE AMERICA 203 Feld Ave. P.O. Box 1590 High Point, NC 27262
98625	AEROQUIP CORP. AEROQUIP AEROSPACE DIV. MARMAN PLANT Replaced by 00624 Los Angeles, CA	K2962	BAXTER WOODHOUSE AND TAYLOR LTD. A Woodside Poyton 2 Stockport Ches SK12 1AH, England
99240	CRISSAIR, INC. 38905 10th St. East Palmdale, CA 93550	K7348	REEVITE INDUSTRIAL MOULDINGS LTD. 16 MURDOCK ROAD BICESTER, OXFORDSHIRE OX26 4PP
99321	SHAW AERO DEVICES, INC. 3580 Shaw Blvd. Naples, FL 34117	K9075	IPECO EUROPE LTD. Aviation Way Southend Airport Essex SS2 6UN England
99378	ATLEE OF DELAWARE INC. NORTH ANDOVER BUSINESS PARK 10 Bayfield Dr. North Andover, MA 01845	KANS	KANSAS FIRE EQUIPMENT SUPERSEDED BY 1JV84 123 S. Osage St. Wichita, KS 67213-4776
99862	CARR LANE MFG. CO. 4200 Carr Lane Ct. St. Louis, MO 63119	LVTL	LEE VALLEY TOOLS, LTD. P.O. Box 1780 Ogdensburg, NY 13669-6780
BASC	BIRK AEROSYSTEMS CORP. 7522 Slater Ave. Huntington Beach, CA 92647	M	PIC DESIGN 86 BENSON Rd. P.O. BOX 1004 MIDDLEBURY, CT 06762-1004
D1510	KISSLING HEINRICH GMBH UND CO. KG. FEINMECHANIK U ELEKTROTECHNIK IM Bohnland 16 7277 Wildberg 5 Germany	MCCI	MID-CONTINENT CONTROLS, INC. 207 S. Buckner Derby, KS 67037
EARC	EAR DIV., CABOT CORP. 7911 Zionsville Rd. Indianapolis, IN 46268	MOIN	MORGAN, INC. 2922 Vancouver Dr. Little Rock, AR 72204
FWAW	FORT WORTH AIRWORKS P.O. Box 91988 Albuquerque, NM 87199	OTWO	O2 CORP. 3526 Comotara Wichita, KS 67226
GLEN	GLOBAL ENGINEERING 2425 LEONINE WICHITA, KS 67217	TRAI	TROLL AVIONICS INC. 3481 W. Fifth St. Oxnard, CA 93030

CESSNA®  
**MODEL 525 (SERIALS -0685 AND -0800 AND ON)**  
ILLUSTRATED PARTS CATALOG

WBLM WBL MFG.  
RR 3 Box 175AB  
Augusta, KS 67010

XEHT XCELITE ELECTRONIC HAND  
TOOLS  
THE COOPER GROUP  
P. O. Box 728  
Apex, NC 27502



CESSNA®  
**MODEL 525 (SERIALS -0685 AND -0800 AND ON)**  
 ILLUSTRATED PARTS CATALOG

NOMENCLATURE	CH SEC SUBJ FIG	ITEM
<b>2</b>		
24 V COOLING FAN .....	21-20-00-03	-075
<b>A</b>		
AC CONTROLLER (1IN-4OUT) .....	25-21-00-02	-081
AC INVERTER 1200W .....	24-20-00-01	-
AC INVERTER 500W .....	24-20-00-02	-
AC OUTLET-115 UNIVERSAL WITH LID .....	25-21-00-02	-075
AC OUTLET-220 UNIVERSAL WITH LID .....	25-21-00-02	-076
ACCESS DOOR-LWR MID .....	54-50-00-02	-001
ACCESS DOOR-LH FWD .....	54-50-00-02	-006
ACCESS DOOR-RH FWD .....	54-50-00-02	-007
ACCESS DOOR-LH AFT .....	54-50-00-02	-010
ACCESS DOOR-RH AFT .....	54-50-00-02	-011
ACCESS PANEL ASSY .....	25-10-02-02	-038
ACCESS PANELS - CENTER WING .....	57-10-01-01	-
ACCESS PANELS - OUTBOARD WING .....	57-20-01-01	-
ACCESS PANELS - VERTICAL STABILIZER .....	55-30-01-02	-
ACCUMULATOR-BRAKE ANTISKID PRESSURIZATION .....	32-41-00-03	-110
ACTUATOR .....	21-50-02-01	-087
ACTUATOR-SWITCH .....	27-50-00-02	-099
ACTUATOR-NOSE GEAR .....	32-20-00-01	-026
ACTUATOR-SWITCH .....	52-30-00-02	-106
ACTUATOR .....	76-10-01-01	-102
ACTUATOR ASSY-AILERON TRIM .....	27-10-02-01	-035
ACTUATOR ASSY-RUDDER TRIM .....	27-20-02-01	-105
ACTUATOR ASSY-SERVO-ELEVATOR TRIM .....	27-30-02-01	-030
ACTUATOR ASSY-LH .....	27-30-02-01	-150
ACTUATOR ASSY-RH .....	27-30-02-01	-151
ACTUATOR ASSY-FLAP .....	27-50-01-01	-115
ACTUATOR ASSY-SPEED BRAKE .....	27-60-00-02	-111
ACTUATOR ASSY-MLG .....	32-10-00-01	-020
ACTUATOR ASSY-UPLOCK .....	32-30-00-02	-001
ACTUATOR ASSY-MAIN GEAR .....	32-30-00-02	-100
ACTUATOR ASSY-NOSE GEAR UPLOCK .....	32-30-01-04	-009
ACTUATOR ASSY-NOSE GEAR .....	32-30-01-04	-084
ACTUATOR MOUNT ASSY-SERVO .....	27-30-02-01	-034
ACTUATOR PLUMBING INSTALLATION - AIR CONDITIONING INLET .....	36-10-00-02	-
ACTUATOR SUPPORT-INBOARD .....	55-10-00-01	-087
ACTUATOR SUPPORT-OUTBOARD .....	55-10-00-01	-088
ACTUATOR-UPLOCK- .....	32-30-00-05	-033
ADAPTER-RH .....	21-20-00-01	-003
ADAPTER .....	21-50-02-01	-083
ADAPTER .....	30-10-00-01	-110
ADAPTER-RH .....	32-41-00-01	-157
ADAPTER .....	35-20-00-01	-002
ADAPTER .....	36-10-00-03	-084
ADAPTER KIT .....	23-10-00-01	-004
AFCS MODE CONTROLLER .....	22-10-00-02	-001
AFT BAGGAGE COMPARTMENT FLOOR .....	53-30-00-02	-
AFT BULKHEAD UPHOLSTERY .....	25-29-00-01	-
AFT CABIN DIVIDER - LH .....	25-21-00-03	-
AFT CABIN DIVIDER - RH .....	25-21-00-04	-
AFT CABIN STRINGER INSTALLATION .....	53-20-06-01	-
AFT CURTAIN .....	25-21-01-01	-
AFT CURTAIN ASSY .....	25-21-01-01	-001
AFT CURTAIN ASSY-FULL DIVIDER .....	25-21-01-01	-002
AFT DUCT ADAPTER .....	21-20-01-02	-078

CESSNA®  
**MODEL 525 (SERIALS -0685 AND -0800 AND ON)**  
 ILLUSTRATED PARTS CATALOG

NOMENCLATURE	CH SEC SUBJ FIG	ITEM
<b>A Continued</b>		
AFT DUCT ASSY .....	21-20-01-02	-077
AFT DUCT ASSY-LH .....	36-10-00-01	-024
AFT DUCT ASSY-RH .....	36-10-00-01	-025
AFT EVAPORATOR DUCT .....	21-21-00-01	-010
AFT SECTOR-RUDDER .....	55-40-00-01	-001
AFT TRIM CAP-PAINT .....	25-21-00-04	-009
AFT TRIM CAP-veneER .....	25-21-00-04	-010
AILERON AND TRIM TAB INSTALLATION .....	57-60-00-02	-
AILERON ASSY-RH .....	57-60-00-02	-002
AILERON ATTACH FITTINGS .....	57-60-00-01	-
AILERON CONTROL SYSTEM - CABLES .....	27-10-00-01	-
AILERON CONTROL SYSTEM - SECTOR ASSEMBLY .....	27-10-00-02	-
AILERON PULLEYS AND BRACKETS - FUSELAGE .....	27-10-00-03	-
AILERON PULLEYS AND BRACKETS - WING .....	27-10-00-04	-
AILERON TRIM CONTROL SYSTEM .....	27-10-02-01	-
AILERON TRIM CONTROL SYSTEM - PULLEYS AND BRACKETS .....	27-10-02-03	-
AILERON TRIM GEARBOX ASSY .....	27-10-02-02	-001
AILERON TRIM TAB ASSY-LH .....	57-60-00-02	-150
AIR CONDITIONING SYSTEM .....	21-50-00-01	-
AIR CYLINDER-DIVERTER DOOR .....	21-20-01-02	-015
AIR DIFFUSER ASSY-LH .....	25-21-00-02	-039
AIR DIFFUSER ASSY-RH .....	25-21-00-02	-040
AIR DISTRIBUTION SYSTEM - CABIN SIDEWALLS .....	21-21-00-03	-
AIR DISTRIBUTION SYSTEM - FLIGHT COMPARTMENT .....	21-21-00-02	-
AIR DISTRIBUTION SYSTEM - UNDERFLOOR AFT .....	21-20-01-01	-
AIR DISTRIBUTION SYSTEM - UNDERFLOOR FORWARD .....	21-20-01-02	-
AIRCELL CONFIGURATION MODULE-UN514 .....	23-10-02-01	-009
AIRCELL INSTALLATION .....	23-10-02-01	-
ALTIMETER-4000 UN821 .....	34-40-00-01	-001
ANCHOR ASSY .....	52-30-00-01	-095
ANCHOR BRACKET-INBD .....	52-30-00-02	-090
ANCHOR BRACKET-OUTBD .....	52-30-00-02	-094
ANGLE .....	21-50-02-01	-016
ANGLE .....	21-50-02-01	-022
ANGLE-LH LOWER .....	53-20-00-01	-076
ANGLE-RH LOWER .....	53-20-00-01	-077
ANGLE .....	53-20-03-01	-016
ANGLE-LH UPR INBD .....	53-20-08-01	-001
ANGLE FSO 6311141-14 .....	53-25-00-01	-019
ANGLE-NOSE .....	55-30-00-01	-023
ANGLE-LH .....	55-30-00-01	-026
ANGLE-RH .....	55-30-00-01	-027
ANGLE ASSY-LH .....	55-10-00-01	-007
ANGLE ASSY-RH .....	55-10-00-01	-008
ANGLE OF ATTACK (AOA) SYSTEM .....	34-25-00-01	-
ANNUNCIATOR PANEL ASSY-FADEC .....	76-12-00-01	-001
ANTENNA YT500 .....	23-10-01-01	-004
ANTENNA-AIR-TO-GROUND .....	23-10-02-01	-012
ANTENNA-ELT .....	25-60-00-01	-002
ANTENNA-DUAL BAND YC601 .....	31-30-01-01	-009
ANTENNA-DUAL BAND YC603 .....	31-30-01-01	-010
ANTENNA-MARKER BEACON .....	34-30-10-01	-001
ANTENNA .....	34-30-10-01	-005
ANTENNA .....	34-40-00-01	-005
ANTENNA .....	34-44-01-01	-001
ANTENNA-DUAL BAND YN400 .....	34-44-01-01	-009
ANTISKID BRAKE CONTROL SYSTEM - FUSELAGE .....	32-41-00-02	-
ANTISKID BRAKE CONTROL SYSTEM - NOSE .....	32-41-00-01	-
ANTISKID BRAKE CONTROL SYSTEM - WING .....	32-41-00-04	-
ANTISKID BRAKE PRESSURIZATION SYSTEM .....	32-41-00-03	-

CESSNA®  
**MODEL 525 (SERIALS -0685 AND -0800 AND ON)**  
 ILLUSTRATED PARTS CATALOG

NOMENCLATURE	CH SEC SUBJ FIG	ITEM
<b>A Continued</b>		
AOA COMPUTER-UC002 .....	34-25-00-01	-014
AOA COVER ASSY-RH .....	21-21-00-03	-050
ARGENTINE EXTERIOR PLACARDS AND MARKINGS - CABIN DOOR .....	11-LQ-28-01	-
ARGENTINE EXTERIOR PLACARDS AND MARKINGS - EMPENNAGE .....	11-LQ-23-01	-
ARGENTINE EXTERIOR PLACARDS AND MARKINGS - EMPENNAGE HYDRAULIC .....	11-LQ-26-01	-
ARGENTINE EXTERIOR PLACARDS AND MARKINGS - ESCAPE HATCH .....	11-LQ-28-02	-
ARGENTINE EXTERIOR PLACARDS AND MARKINGS - FORWARD FUSELAGE .....	11-LQ-22-01	-
ARGENTINE EXTERIOR PLACARDS AND MARKINGS - NACELLES AND PYLONS .....	11-LQ-24-01	-
ARGENTINE EXTERIOR PLACARDS AND MARKINGS - WINGS .....	11-LQ-25-01	-
ARGENTINE INTERIOR PLACARDS AND MARKINGS - AFT CABIN .....	11-LQ-32-02	-
ARGENTINE INTERIOR PLACARDS AND MARKINGS - CABIN DOOR .....	11-LQ-38-01	-
ARGENTINE INTERIOR PLACARDS AND MARKINGS - ESCAPE HATCH .....	11-LQ-38-02	-
ARGENTINE INTERIOR PLACARDS AND MARKINGS - FORWARD CABIN .....	11-LQ-32-01	-
ARGENTINE INTERIOR PLACARDS AND MARKINGS - LAVATORY .....	11-LQ-33-01	-
ARM ASSY-RUDDER PEDAL FSO 6361005-11 .....	27-20-01-01	-004
ARM ASSY-RUDDER PEDAL .....	27-20-01-01	-004A
ARM ASSY-RUDDER PEDAL FSO 6361005-12 .....	27-20-01-01	-005
ARM ASSY-RUDDER PEDAL .....	27-20-01-01	-005A
ARM ASSY .....	27-20-02-02	-011
ARM ASSY .....	76-10-01-02	-078
ARMREST ASSY-LH .....	25-10-02-02	-150
ARMREST ASSY-RH .....	25-10-02-02	-151
ARMREST ASSY-RH SIDE FACING SEAT .....	25-26-00-02	-001
ARMREST GUIDE SUPPORT .....	25-20-05-01	-036
ARMREST UPHOLSTERY ASSY-LH .....	25-20-05-01	-392
ARMREST UPHOLSTERY ASSY-RH .....	25-20-05-01	-393
ATTACH BRACE .....	55-30-00-03	-158
ATTACH STIFFENER .....	55-30-00-03	-151
ATTACH STIFFENER .....	55-30-00-03	-159
ATTITUDE AND DIRECTIONAL INSTRUMENTS .....	34-20-00-01	-
AUDIO INTEGRATING SYSTEM .....	23-50-00-01	-
AUSTRALIAN EXTERIOR PLACARDS AND MARKINGS - AFT BAGGAGE .....	11-VH-23-02	-
AUSTRALIAN EXTERIOR PLACARDS AND MARKINGS - CABIN DOOR .....	11-VH-28-01	-
AUSTRALIAN EXTERIOR PLACARDS AND MARKINGS - ESCAPE HATCH .....	11-VH-28-02	-
AUSTRALIAN EXTERIOR PLACARDS AND MARKINGS - FUSELAGE .....	11-VH-22-02	-
AUSTRALIAN EXTERIOR PLACARDS AND MARKINGS - NOSE BAGGAGE .....	11-VH-23-01	-
AUSTRALIAN INTERIOR PLACARDS AND MARKINGS - AFT CABIN .....	11-VH-32-02	-
AUSTRALIAN INTERIOR PLACARDS AND MARKINGS - CABIN DOOR .....	11-VH-38-01	-
AUSTRALIAN INTERIOR PLACARDS AND MARKINGS - CABIN SEATS .....	11-VH-32-04	-
AUSTRALIAN INTERIOR PLACARDS AND MARKINGS - DIVIDERS .....	11-VH-33-02	-
AUSTRALIAN INTERIOR PLACARDS AND MARKINGS - ESCAPE HATCH .....	11-VH-38-02	-
AUSTRALIAN INTERIOR PLACARDS AND MARKINGS - FLIGHT COMPARTMENT .....	11-VH-31-05	-
AUSTRALIAN INTERIOR PLACARDS AND MARKINGS - FORWARD CABIN .....	11-VH-32-01	-
AUSTRALIAN INTERIOR PLACARDS AND MARKINGS - INSTRUMENT PANEL .....	11-VH-31-01	-
AUSTRALIAN INTERIOR PLACARDS AND MARKINGS - LAVATORY .....	11-VH-33-01	-
AUSTRALIAN INTERIOR PLACARDS AND MARKINGS - LH CONSOLE .....	11-VH-31-04	-
AUTOMATIC DIRECTION FINDER (ADF) NAVIGATION SYSTEM .....	34-52-00-01	-
AUTOPILOT SYSTEM .....	22-10-00-01	-
AVIONIC EQUIPMENT SUPPORTS - NOSE .....	25-70-00-01	-
AVIONICS CABINET ASSY-RH AFT .....	25-30-01-01	-001
AVIONICS COOLING SYSTEM .....	21-20-00-03	-
AVIONICS COVER - NOSE .....	53-11-00-03	-
AVIONICS FLOOR ASSY-LH LOWER .....	53-11-00-01	-007
AVIONICS FLOOR ASSY-LH LOWER .....	53-11-00-01	-007A
AVIONICS FLOOR ASSY-LH LOWER .....	53-11-00-01	-007B
AVIONICS FLOOR ASSY-LH AFT .....	53-11-00-01	-023
AVIONICS FLOOR ASSY-RH LOWER .....	53-11-00-01	-081
AVIONICS STORAGE CABINET - RH AFT .....	25-30-01-01	-

CESSNA®  
**MODEL 525 (SERIALS -0685 AND -0800 AND ON)**  
 ILLUSTRATED PARTS CATALOG

NOMENCLATURE	CH SEC SUBJ FIG	ITEM
<b>B</b>		
BACK CUSHION ASSY .....	25-26-00-01	-001
BACK SHROUD BRACKET-UPPER .....	25-20-05-01	-024
BACKUP STRIP-UPR OUTBD .....	52-60-00-01	-039
BACKUP STRIP-LWR OUTBD .....	52-60-00-01	-040
BACKUP STRIP-UPR CTR .....	52-60-00-01	-041
BACKUP STRIP-LWR CTR .....	52-60-00-01	-042
BAGGAGE DOME LIGHT .....	33-30-00-02	-001
BAGGAGE SHELF - NOSE .....	25-70-00-02	-
BALANCE WEIGHT .....	55-20-00-01	-028
BALANCE WEIGHT .....	55-20-00-01	-037
BALANCE WEIGHT-UPPER .....	55-40-00-01	-103
BALANCE WEIGHT-LOWER .....	55-40-00-01	-104
BAND-UPPER .....	53-20-03-01	-158
BASE ASSY-STATIC WICK .....	23-60-00-01	-002
BATTERY-42 AMP HOUR LEAD ACID .....	24-30-01-01	-001
BATTERY ASSEMBLY .....	24-30-01-01	-
BATTERY PACK .....	24-30-02-01	-001
BATTERY SUPPORT STRUCTURE .....	25-70-01-01	-
BEAM .....	25-21-00-03	-039
BEARING .....	32-30-00-01	-010
BEARING PLATE .....	52-10-00-02	-079
BEARING PLATE .....	52-10-00-02	-080
BEARING PLATE .....	52-10-00-02	-081
BEARING PLATE .....	52-10-00-02	-082
BEARING PLATE .....	52-10-00-02	-083
BEARING PLATE .....	52-10-00-02	-084
BEARING PLATE .....	52-10-00-02	-085
BEARING PLATE .....	52-10-00-02	-086
BEARING PLATE ASSY-UPPER .....	55-30-01-01	-079
BEARING PLATE ASSY-LOWER .....	55-30-01-01	-080
BEARING PLATE ASSY .....	55-30-01-01	-089
BELLCRANK-UPR .....	52-10-01-01	-012
BELLCRANK-FWD .....	52-10-01-01	-026
BELLCRANK-AFT .....	52-10-01-01	-027
BELLCRANK-FWD CTR .....	52-10-01-01	-075
BELLCRANK-AFT CTR .....	52-10-01-01	-076
BELLCRANK ASSY-LH .....	27-60-00-01	-019
BELLCRANK ASSY-RH .....	27-60-00-01	-020
BELLCRANK ASSY .....	30-40-00-01	-027
BELLCRANK ASSY .....	32-50-00-01	-101
BELLCRANK DOOR-LH .....	55-30-01-02	-001
BELLCRANK DOOR-RH .....	55-30-01-02	-002
BEZEL ASSY .....	21-50-02-01	-019
BLANKET INSTALLATION .....	25-80-00-03	-
BLEED VALVE ASSY .....	32-41-00-01	-107
BLEEDER SCREW .....	32-41-00-03	-010
BLOCK CHAIN-DOOR ASSIST .....	52-10-00-02	-057
BLOWER-UNDERFLOOR INLET AIR .....	21-20-01-01	-013
BOND ASSY-SKIN .....	52-20-00-01	-002
BOND ASSY-LH .....	52-30-00-01	-003
BOND ASSY-RH .....	52-30-00-01	-004
BOND ASSY-DOOR .....	52-40-00-01	-004
BOOT-LH .....	30-10-00-01	-150
BOOT-RH .....	30-10-00-01	-151
BOOT ASSY-ACTUATOR .....	32-30-01-04	-100
BOSS ASSY .....	36-10-00-01	-054
BOTTLE AND VALVE-EMERGENCY .....	32-30-00-06	-036
BOX ASSY .....	24-40-00-01	-002
BOX ASSY .....	53-20-00-01	-150
BRACKET .....	21-50-02-01	-008



CESSNA®  
**MODEL 525 (SERIALS -0685 AND -0800 AND ON)**  
 ILLUSTRATED PARTS CATALOG

NOMENCLATURE	CH SEC SUBJ FIG	ITEM
<b>B Continued</b>		
BRACKET-PULLEY .....	27-10-00-03	-019
BRACKET-UPR .....	27-50-00-02	-075
BRACKET-LWR .....	27-50-00-02	-076
BRACKET-LH .....	30-10-00-01	-079
BRACKET-RH .....	30-10-00-01	-080
BRACKET-LH .....	30-40-00-01	-106
BRACKET-RH .....	30-40-00-01	-107
BRACKET .....	32-41-00-01	-121
BRACKET .....	32-41-00-01	-122
BRACKET-PULLEY .....	32-50-00-01	-041
BRACKET-PULLEY .....	32-50-00-01	-083
BRACKET .....	52-30-00-02	-099
BRACKET-RIGGING .....	55-30-01-01	-096
BRACKET AND PULLEY .....	32-30-00-05	-001
BRACKET ASSY-AFT .....	23-70-00-01	-024
BRACKET ASSY-FWD .....	25-10-00-02	-018
BRACKET ASSY-AFT .....	25-10-00-02	-019
BRACKET ASSY .....	25-11-00-01	-025
BRACKET ASSY .....	25-22-00-01	-050
BRACKET ASSY .....	27-10-00-03	-001
BRACKET ASSY-PULLEY .....	27-10-00-03	-011
BRACKET ASSY-LH AFT .....	27-10-00-04	-023
BRACKET ASSY-RH AFT .....	27-10-00-04	-024
BRACKET ASSY .....	27-70-00-01	-001
BRACKET ASSY-LH .....	28-20-00-01	-075
BRACKET ASSY-RH .....	28-20-00-01	-076
BRACKET ASSY-LH FIREWALL SHUTOFF .....	28-20-00-02	-030
BRACKET ASSY-RH FIREWALL SHUTOFF .....	28-20-00-02	-031
BRACKET ASSY-LH MOTIVE FUEL .....	28-20-00-02	-035
BRACKET ASSY-RH MOTIVE FUEL .....	28-20-00-02	-036
BRACKET ASSY-ARM SUPPORT .....	32-30-00-01	-014
BRACKET ASSY-LH .....	32-30-00-02	-022
BRACKET ASSY-RH .....	32-30-00-02	-023
BRACKET ASSY .....	32-50-00-01	-019
BRACKET ASSY .....	52-10-00-02	-225
BRACKET ASSY .....	52-10-00-02	-226
BRACKET ASSY .....	52-10-00-02	-230
BRACKET ASSY .....	52-10-00-02	-231
BRACKET ASSY .....	52-30-00-02	-079
BRACKET ASSY-HINGE INBOARD .....	55-20-00-01	-011
BRACKET ASSY-HINGE OUTBOARD .....	55-20-00-01	-012
BRAKE ASSY-MAIN LH AND RH .....	32-10-00-01	-019
BRAKE RESERVOIR- .....	32-41-00-01	-001
BRAKE RESERVOIR PRESSURIZATION SYSTEM .....	32-41-01-01	-
BRAZILIAN EXTERIOR PLACARDS AND MARKINGS - TAILCONE BAGGAGE .....	11-PP-23-03	-
BRAZE ASSY-INBD .....	27-10-02-01	-052
BRAZILIAN EXTERIOR PLACARDS AND MARKINGS - CABIN DOOR .....	11-PP-28-01	-
BRAZILIAN EXTERIOR PLACARDS AND MARKINGS - EMPENNAGE .....	11-PP-23-01	-
BRAZILIAN EXTERIOR PLACARDS AND MARKINGS - EMPENNAGE HYDRAULIC .....	11-PP-26-01	-
BRAZILIAN EXTERIOR PLACARDS AND MARKINGS - ESCAPE HATCH .....	11-PP-28-02	-
BRAZILIAN EXTERIOR PLACARDS AND MARKINGS - FORWARD FUSELAGE .....	11-PP-22-01	-
BRAZILIAN EXTERIOR PLACARDS AND MARKINGS - MAIN LANDING GEAR (MLG) .....	11-PP-27-02	-
BRAZILIAN EXTERIOR PLACARDS AND MARKINGS - NACELLES AND PYLONS .....	11-PP-24-01	-
BRAZILIAN EXTERIOR PLACARDS AND MARKINGS - NOSE BAGGAGE .....	11-PP-23-02	-
BRAZILIAN EXTERIOR PLACARDS AND MARKINGS - NOSE LANDING GEAR (NLG) .....	11-PP-27-01	-
BRAZILIAN EXTERIOR PLACARDS AND MARKINGS - WINGS .....	11-PP-25-01	-
BRAZILIAN INTERIOR PLACARDS AND MARKINGS - AFT CABIN .....	11-PP-32-02	-
BRAZILIAN INTERIOR PLACARDS AND MARKINGS - CABIN DOOR .....	11-PP-38-01	-
BRAZILIAN INTERIOR PLACARDS AND MARKINGS - CABIN SEATS .....	11-PP-32-04	-
BRAZILIAN INTERIOR PLACARDS AND MARKINGS - ESCAPE HATCH .....	11-PP-38-02	-

CESSNA®  
**MODEL 525 (SERIALS -0685 AND -0800 AND ON)**  
 ILLUSTRATED PARTS CATALOG

NOMENCLATURE	CH	SEC	SUBJ	FIG	ITEM
--------------	----	-----	------	-----	------

**B** Continued

BRAZILIAN INTERIOR PLACARDS AND MARKINGS - FLIGHT COMPARTMENT	11-PP-31-01	-
BRAZILIAN INTERIOR PLACARDS AND MARKINGS - FLIGHT COMPARTMENT	11-PP-31-05	-
BRAZILIAN INTERIOR PLACARDS AND MARKINGS - FORWARD CABIN	11-PP-32-01	-
BRAZILIAN INTERIOR PLACARDS AND MARKINGS - LAVATORY	11-PP-33-01	-
BRAZILIAN INTERIOR PLACARDS AND MARKINGS - LH CONSOLE	11-PP-31-04	-
BRITISH EXTERIOR PLACARDS AND MARKINGS - AFT BAGGAGE	11-G-23-02	-
BRITISH EXTERIOR PLACARDS AND MARKINGS - CABIN DOOR	11-G-28-01	-
BRITISH EXTERIOR PLACARDS AND MARKINGS - ESCAPE HATCH	11-G-28-02	-
BRITISH EXTERIOR PLACARDS AND MARKINGS - FUSELAGE	11-G-22-02	-
BRITISH EXTERIOR PLACARDS AND MARKINGS - NOSE BAGGAGE	11-G-23-01	-
BRITISH INTERIOR PLACARDS AND MARKINGS - AFT CABIN	11-G-32-02	-
BRITISH INTERIOR PLACARDS AND MARKINGS - CABIN DOOR	11-G-38-01	-
BRITISH INTERIOR PLACARDS AND MARKINGS - CABIN SEATS	11-G-32-04	-
BRITISH INTERIOR PLACARDS AND MARKINGS - DIVIDERS	11-G-33-02	-
BRITISH INTERIOR PLACARDS AND MARKINGS - ESCAPE HATCH	11-G-38-02	-
BRITISH INTERIOR PLACARDS AND MARKINGS - FLIGHT COMPARTMENT	11-G-31-05	-
BRITISH INTERIOR PLACARDS AND MARKINGS - FORWARD CABIN	11-G-32-01	-
BRITISH INTERIOR PLACARDS AND MARKINGS - LAVATORY	11-G-33-01	-
BRITISH INTERIOR PLACARDS AND MARKINGS - LH CONSOLE	11-G-31-04	-
BUCKET SHROUD UPHOLSTERY ASSY-LH OUTBOARD	25-20-05-01	-300
BUCKET SHROUD UPHOLSTERY ASSY-RH OUTBOARD	25-20-05-01	-301
BUCKET SHROUD UPHOLSTERY ASSY-LH INBOARD	25-20-05-01	-302
BUCKET SHROUD UPHOLSTERY ASSY-RH INBOARD	25-20-05-01	-303
BULB	28-20-00-01	-084
BULB	30-40-00-03	-047
BULKHEAD-LH FWD	54-50-00-01	-046
BULKHEAD-RH FWD	54-50-00-01	-047
BULKHEAD-LH AFT	54-50-00-01	-048
BULKHEAD-RH AFT	54-50-00-01	-049
BULKHEAD	56-10-00-02	-030
BULKHEAD ANGLE-LH FWD	54-50-00-01	-023
BULKHEAD ANGLE-RH FWD	54-50-00-01	-024
BULKHEAD ANGLE-LH AFT	54-50-00-01	-043
BULKHEAD ANGLE-RH AFT	54-50-00-01	-044
BULKHEAD ASSY-LH	53-40-00-02	-001
BULKHEAD ASSY-LH	53-40-00-02	-007
BULKHEAD ASSY-RH	53-40-00-02	-008
BULKHEAD ASSY-LH	53-40-00-02	-013
BULKHEAD ASSY-RH	53-40-00-02	-014
BULKHEAD FITTING	30-40-00-03	-079
BULKHEAD SEGMENT-LH UPR	53-40-00-02	-075
BULLET FAIRING-LH LOWER	55-31-00-01	-007
BULLET FAIRING-RH LOWER	55-31-00-01	-008
BULLET FAIRING - VERTICAL STABILIZER	55-31-00-01	-
BULLET FAIRING ASSY-FWD	55-31-00-01	-001
BULLET FAIRING ASSY-AFT	55-31-00-01	-016
BUMPER	52-10-00-01	-098
BUMPER PAD	52-10-00-01	-099
BUNGEE ASSY	32-50-00-01	-150
BUS BAR-EXTERNAL POWER RECEPTACLE HZ005	24-40-00-01	-025
BUTTERFLY VALVE	30-40-00-03	-010

**C**

C406-N MAIN ASSY	25-60-00-01	-008
CABIN ALTITUDE MODULE INSTALLATION	24-52-00-01	-
CABIN AND MISCELLANEOUS EQUIPMENT	25-20-00-01	-
CABIN BRIEFER - PBS250	23-50-00-03	-

CESSNA®  
**MODEL 525 (SERIALS -0685 AND -0800 AND ON)**  
 ILLUSTRATED PARTS CATALOG

NOMENCLATURE	CH	SEC	SUBJ	FIG	ITEM
<b>C</b> Continued					
CABIN DOOR ATTACHMENTS .....	52-10-00-03				-
CABIN DOOR FRAME TRIM .....	25-20-00-02				-
CABIN DOOR HANDLE .....	52-10-01-01				-081
CABIN DOOR HANDLE .....	52-10-01-02				-
CABIN DOOR INSTALLATION .....	52-10-00-01				-
CABIN DOOR LATCH MECHANISM .....	52-10-01-01				-
CABIN DOOR STEPS .....	52-60-00-01				-
CABIN DOOR STRUCTURE .....	52-10-00-01				-013
CABIN DOOR STRUCTURE .....	52-10-00-02				-
CABIN DOOR WINDOW .....	56-30-00-01				-
CABIN FLOORBOARD SUPPORT INSTALLATION .....	53-21-00-02				-
CABIN FLOORBOARDS .....	53-21-00-01				-
CABIN OVERHEAD .....	25-20-02-01				-001
CABIN PRESSURIZATION SYSTEM .....	21-30-00-01				-
CABIN SPEAKER INSTALLATION .....	23-30-00-01				-
CABIN WINDOW SHADES .....	25-20-01-01				-
CABIN WINDOWS .....	56-20-00-01				-
CABINET .....	25-26-00-02				-004
CABINET ASSY-PAINT .....	25-30-00-02				-001
CABINET ASSY-VENEER .....	25-30-00-02				-002
CABINET ASSY-TOP .....	25-30-01-01				-002
CABINET ASSY-INBD .....	25-30-01-01				-007
CABLE-FIBER OPTIC .....	23-10-00-01				-002
CABLE ASSY .....	27-10-00-01				-025
CABLE ASSY .....	27-10-00-01				-026
CABLE ASSY-LH FWD .....	27-10-00-01				-027
CABLE ASSY-RH FWD .....	27-10-00-01				-028
CABLE ASSY-AILERON CTR CONNECTOR .....	27-10-00-01				-076
CABLE ASSY-AILERON INTERCONNECT .....	27-10-00-01				-077
CABLE ASSY-AILERON OUTBD UPR .....	27-10-00-01				-100
CABLE ASSY-AILERON OUTBD LWR .....	27-10-00-01				-101
CABLE ASSY-LH FWD .....	27-10-02-01				-017
CABLE ASSY-RH FWD .....	27-10-02-01				-018
CABLE ASSY-UPR .....	27-10-02-01				-027
CABLE ASSY-LWR .....	27-10-02-01				-028
CABLE ASSY .....	27-20-00-01				-001
CABLE ASSY-LH FWD .....	27-20-00-01				-005
CABLE ASSY-RH FWD .....	27-20-00-01				-006
CABLE ASSY-LH AFT .....	27-20-00-01				-015
CABLE ASSY-RH AFT .....	27-20-00-01				-016
CABLE ASSY-LH FWD .....	27-30-00-01				-002
CABLE ASSY-RH FWD .....	27-30-00-01				-003
CABLE ASSY-LH AFT .....	27-30-00-01				-075
CABLE ASSY-RH AFT .....	27-30-00-01				-076
CABLE ASSY .....	27-50-00-01				-002
CABLE ASSY .....	27-50-00-02				-002
CABLE ASSY .....	27-50-00-02				-008
CABLE ASSY-FWD FUSELAGE .....	32-30-00-04				-001
CABLE ASSY .....	32-30-00-04				-002
CABLE ASSY-EXTEND .....	32-30-00-05				-002
CABLE ASSY-PARKING BRAKE .....	32-41-00-01				-165
CABLE ASSY-LOWER .....	32-50-00-01				-001
CABLE ASSY-UPPER .....	32-50-00-01				-012
CABLE ASSY .....	52-60-00-01				-080
CABLE GUARD .....	27-10-00-03				-007
CABLE SUPPORT-FWD .....	52-60-00-01				-081
CABLE SUPPORT-AFT .....	52-60-00-01				-082
CAM LOCK .....	27-70-00-01				-026
CAM LOCK .....	52-30-00-02				-078
CANADIAN EXTERIOR PLACARDS AND MARKINGS - AFT BAGGAGE .....	11-C-23-02				-

CESSNA®  
**MODEL 525 (SERIALS -0685 AND -0800 AND ON)**  
 ILLUSTRATED PARTS CATALOG

NOMENCLATURE	CH SEC SUBJ FIG	ITEM
--------------	-----------------	------

**C** Continued

CANADIAN EXTERIOR PLACARDS AND MARKINGS - CABIN DOOR	11-C-28-01	-
CANADIAN EXTERIOR PLACARDS AND MARKINGS - ESCAPE HATCH	11-C-28-02	-
CANADIAN EXTERIOR PLACARDS AND MARKINGS - FUSELAGE	11-C-22-02	-
CANADIAN EXTERIOR PLACARDS AND MARKINGS - NOSE BAGGAGE	11-C-23-01	-
CANADIAN EXTERIOR PLACARDS AND MARKINGS - TAILCONE	11-C-22-01	-
CANADIAN INTERIOR PLACARDS AND MARKINGS - AFT CABIN	11-C-32-02	-
CANADIAN INTERIOR PLACARDS AND MARKINGS - CABIN DOOR	11-C-38-01	-
CANADIAN INTERIOR PLACARDS AND MARKINGS - CABIN SEATS	11-C-32-04	-
CANADIAN INTERIOR PLACARDS AND MARKINGS - DIVIDERS	11-C-33-02	-
CANADIAN INTERIOR PLACARDS AND MARKINGS - ESCAPE HATCH	11-C-38-02	-
CANADIAN INTERIOR PLACARDS AND MARKINGS - FLIGHT COMPARTMENT	11-C-31-05	-
CANADIAN INTERIOR PLACARDS AND MARKINGS - FORWARD CABIN	11-C-32-01	-
CANADIAN INTERIOR PLACARDS AND MARKINGS - INSTRUMENT PANEL	11-C-31-01	-
CANADIAN INTERIOR PLACARDS AND MARKINGS - LAVATORY	11-C-33-01	-
CANADIAN INTERIOR PLACARDS AND MARKINGS - LH CONSOLE	11-C-31-04	-
CANTED FRAME ASSY-LH	53-20-03-01	-226
CAP	36-10-00-02	-015
CARGO NET - TAILCONE	25-51-00-01	-
CARGO NET ASSY	25-51-00-01	-001
CARPET - FUSELAGE SECTION	25-20-00-03	-
CARPET - NOSE BAGGAGE COMPARTMENT	25-50-00-01	-
CARPET - TAILCONE BAGGAGE COMPARTMENT	25-50-01-01	-
CARPET ASSY-THRESHOLD	25-20-00-03	-005
CARPET ASSY-THRESHOLD USED WITH REFRESHMENT CENTER	25-20-00-03	-006
CARPET ASSY-LH CABIN	25-20-00-03	-010
CARPET ASSY-RH CABIN	25-20-00-03	-011
CARPET ASSY-LH SIDEWALL	25-20-00-03	-012
CARPET ASSY-RH SIDEWALL	25-20-00-03	-013
CARPET ASSY-CTR AISLE	25-20-00-03	-014
CARPET ASSY-EQUIPMENT ENCLOSURE	25-20-00-03	-015
CARPET ASSY-AFT CTR	25-20-00-03	-016
CARPET ASSY-FWD PANEL OPTION	25-50-00-01	-002
CARPET ASSY-LH FWD	25-50-00-01	-003
CARPET ASSY-CTR FWD OPTION	25-50-00-01	-005
CARPET ASSY-RH FWD	25-50-00-01	-006
CARPET ASSY-FWD SIDEWALL	25-50-00-01	-007
CARPET ASSY-LH FLOOR	25-50-00-01	-010
CARPET ASSY-RH AFT OPTION	25-50-00-01	-012
CARPET ASSY-RH FLOOR	25-50-00-01	-013
CARPET ASSY-RH FLOOR OPTION	25-50-00-01	-014
CARPET ASSY-LH AFT	25-50-00-01	-016
CARPET ASSY-RH ACCESS PANEL	25-50-00-01	-017
CARRY THRU ASSY-FWD	57-10-00-01	-001
CARRY THRU ASSY-CENTER SPAR	57-10-00-01	-075
CARRY THRU ASSY-REAR SPAR	57-10-00-01	-225
CENTER SPAR ASSY	55-10-00-01	-089
CENTER WING RIB INSTALLATION - INBOARD	57-10-00-02	-
CENTER WING SPAR STRUCTURE INSTALLATION	57-10-00-01	-
CENTERING STRIP	55-20-00-01	-112
CERTIFICATION PLATE	11-CR-38-01	-004
CERTIFICATION PLATE	11-G-38-01	-001
CERTIFICATION PLATE	11-LX-38-01	-001
CERTIFICATION PLATE	11-M-38-01	-001
CHAIN	27-20-02-01	-002
CHAIN-DOOR ASSIST	52-10-00-01	-113
CHAIN-DOOR ASSIST	52-10-00-02	-252
CHANNEL	21-50-02-01	-007
CHANNEL	52-10-00-02	-151
CHANNEL	52-10-00-02	-159
CHANNEL	52-10-00-02	-160

CESSNA®  
**MODEL 525 (SERIALS -0685 AND -0800 AND ON)**  
 ILLUSTRATED PARTS CATALOG

NOMENCLATURE	CH	SEC	SUBJ	FIG	ITEM
<b>C</b> Continued					
CHANNEL .....	52-10-00-02				-162
CHANNEL .....	52-10-00-02				-171
CHANNEL .....	52-10-00-02				-172
CHANNEL .....	52-10-00-02				-173
CHANNEL .....	52-10-00-02				-174
CHANNEL .....	52-10-00-02				-179
CHANNEL .....	52-10-00-02				-180
CHANNEL .....	52-10-00-02				-181
CHANNEL .....	52-10-00-02				-182
CHANNEL .....	52-10-00-02				-185
CHANNEL .....	52-10-00-02				-186
CHANNEL .....	52-10-00-02				-187
CHANNEL .....	52-10-00-02				-188
CHANNEL .....	52-10-00-02				-189
CHANNEL .....	52-10-00-02				-190
CHANNEL .....	52-10-00-02				-191
CHANNEL .....	52-30-00-02				-012
CHANNEL-UPPER .....	53-20-03-01				-075
CHANNEL .....	55-30-00-01				-022
CHECK VALVE-AIR VENT .....	21-20-01-01				-002
CHECK VALVE .....	28-20-00-01				-005
CHECK VALVE-SUCTION .....	29-10-00-02				-014
CHECK VALVE-SPEED BRAKE .....	29-10-00-02				-113
CHECK VALVE .....	32-41-01-01				-012
CHECK VALVE .....	36-10-00-01				-089
CHECK VALVE ASSY .....	27-50-01-01				-018
CHIME ASSY .....	23-30-01-01				-001
CHIME SYSTEM .....	23-30-01-01				-
CIRCUIT BREAKER HN002 .....	24-30-02-01				-009
CIRCUIT BREAKER-EXTERNAL POWER RECEPTACLE HT001 .....	24-40-00-01				-024
CIRCUIT BREAKER-R FIRE DET HC028 .....	24-50-01-01				-029
CIRCUIT BREAKER-RH IGNITION HC029 .....	24-50-01-01				-030
CIRCUIT BREAKER PANEL ASSEMBLY - LH .....	24-50-01-01				-
CIRCUIT BREAKER PANEL ASSEMBLY - RH .....	24-50-01-02				-
CLAIRITY SYSTEM .....	44-20-00-01				-
CLAMP .....	30-40-00-03				-002
CLAMP .....	30-40-00-03				-075
CLAMP ASSY .....	53-10-00-04				-001
CLAMSHELL ASSY .....	30-40-00-03				-082
CLEVIS SPRING-CABIN DOOR .....	52-10-00-02				-236
CLOSEOUT ASSY .....	36-10-00-01				-005
CLOSEOUT PANEL-AFT .....	53-21-00-05				-019
COCKPIT VOICE RECORDER (CVR) .....	23-70-00-01				-
COLLINS HF-9000 COMMUNICATION SYSTEM .....	23-10-00-01				-
COMPRESSOR AND CONDENSER INSTALLATION .....	21-50-02-01				-
COMPRESSOR ASSY- .....	21-50-02-01				-001
COMPUTER-UN512 .....	23-10-02-01				-001
COMPUTER-CABIN BRIEFER .....	23-50-00-03				-001
CONNECTOR BRACKET ASSY .....	34-61-05-01				-004
CONSOLE SUPPORT ASSY .....	25-10-00-01				-031
CONTACTOR-RELAY BATTERY DISCONNECT KT001 .....	24-30-01-01				-013
CONTROL-AUGMENTOR WINDSHIELD ANTI-ICE .....	30-40-00-01				-001
CONTROL .....	30-40-00-01				-104
CONTROL .....	30-40-00-01				-105
CONTROL ARM-LANDING GEAR .....	32-30-00-01				-005
CONTROL ASSY-CONTROL LOCK .....	27-70-00-01				-004
CONTROL ASSY .....	27-70-00-01				-033
CONTROL ASSY .....	30-40-00-01				-010
CONTROL ASSY .....	30-40-00-01				-011
CONTROL ASSY-GEAR EMERGENCY EXTEND .....	32-30-00-03				-001

CESSNA®  
**MODEL 525 (SERIALS -0685 AND -0800 AND ON)**  
 ILLUSTRATED PARTS CATALOG

NOMENCLATURE	CH SEC SUBJ FIG	ITEM
<b>C Continued</b>		
CONTROL ASSY-CONTROL EMERGENCY BLOWDOWN .....	32-30-00-06	-001
CONTROL BEZEL-LH .....	25-20-05-01	-310
CONTROL BEZEL-RH .....	25-20-05-01	-311
CONTROL BOX-BRAKE CONTROL .....	32-41-00-03	-082
CONTROL COLUMN ASSEMBLY .....	27-30-01-01	-
CONTROL COLUMN ASSY .....	27-30-01-01	-001
CONTROL LOCK SYSTEM .....	27-70-00-01	-
CONTROL MOUNT .....	30-40-00-01	-046
CONTROL PEDESTAL .....	53-20-04-01	-
CONTROL QUADRANT - SWITCHES AND LEVERS .....	76-10-01-02	-
CONTROL QUADRANT ASSEMBLY .....	76-10-01-01	-
CONTROL QUADRANT ASSY FSO 6365840-5 .....	76-10-01-01	-001
CONTROL QUADRANT ASSY .....	76-10-01-01	-001A
CONTROL QUADRANT INSTALLATION .....	76-10-01-03	-
CONTROL VALVE-OXYGEN 3 POSITION .....	35-10-00-01	-024
CONTROL WHEEL ASSEMBLY - PILOT AND COPILOT .....	27-10-01-01	-
CONTROL WHEEL ASSY-LH PILOT .....	27-10-01-01	-001
CONTROL WHEEL ASSY-RH COPILOT .....	27-10-01-01	-002
CONTROLLER BA033 .....	21-30-00-01	-001
CONTROLLER BA033 ALT FOR 9912661-5 .....	21-30-00-01	-001A
CONTROLLER-TEMPERATURE UT017 .....	21-60-00-01	-001
CONTROLLER .....	30-40-00-03	-115
COUPLER .....	34-30-10-01	-008
COUPLING .....	30-40-00-03	-029
COVER .....	52-30-00-01	-075
COVER .....	52-30-00-01	-077
COVER .....	52-30-00-02	-088
COVER-LH .....	55-10-01-01	-001
COVER-RH .....	55-10-01-01	-002
COVER ASSY-LH .....	53-22-00-01	-001
COVER PANEL-LH AFT .....	25-21-00-03	-001
COVER PANEL-LH AFT .....	25-21-00-03	-001A
COVER PANEL ASSY-LH .....	25-29-00-01	-001
COVER PANEL ASSY-RH .....	25-29-00-01	-002
COVER PANEL ASSY .....	25-29-00-01	-002A
COVERED LINE ASSY 1/16"-BOTTLE TO BULKHEAD .....	35-00-00-01	-030
CRANK ASSY-LH .....	27-70-00-01	-075
CRANK ASSY-RH .....	27-70-00-01	-076
CREW MASK-OXYGEN .....	35-10-02-02	-001
CREW SEAT-LH USED WITH OXYGEN MASK .....	25-12-00-01	-003
CREW SEAT-RH USED WITH OXYGEN MASK .....	25-12-00-01	-004
CREW SEAT INSTALLATION .....	25-12-00-01	-
CROATIAN EXTERIOR PLACARDS AND MARKINGS - EMERGENCY EXIT DOOR .....	11-9A-28-01	-
CROATIAN INTERIOR PLACARDS AND MARKINGS-CABIN DOOR .....	11-9A-38-01	-
CROSS .....	32-30-00-02	-181
CROSS TUBE-FWD .....	25-20-05-01	-104
CROSS TUBE-AFT .....	25-20-05-01	-105
CUP .....	35-10-02-02	-002
CUPHOLDER ASSY-LH .....	25-10-02-02	-075
CUPHOLDER ASSY-RH .....	25-10-02-02	-076
CURRENT SENSOR-UC039 .....	30-30-00-01	-001
CURRENT SENSOR-UC038 .....	30-30-00-01	-002
CURTAIN ASSY-WITH LINER FSO 4711873-7 .....	25-21-00-01	-001
CURTAIN ASSY-ONE PIECE .....	25-21-00-01	-002
CVR CONTROL HEAD UI506 .....	23-70-00-01	-034
CYLINDER ASSY-BRAKE PILOT AND COPILOT .....	32-41-00-01	-017
CYLINDER ASSY-BRAKE PILOT AND COPILOT .....	32-41-00-01	-018
CZECH EXTERIOR PLACARDS AND MARKINGS - AFT BAGGAGE .....	11-OK-23-02	-
CZECH EXTERIOR PLACARDS AND MARKINGS - CABIN DOOR .....	11-OK-28-01	-
CZECH EXTERIOR PLACARDS AND MARKINGS - ESCAPE HATCH .....	11-OK-28-02	-

CESSNA®  
**MODEL 525 (SERIALS -0685 AND -0800 AND ON)**  
 ILLUSTRATED PARTS CATALOG

NOMENCLATURE	CH	SEC	SUBJ	FIG	ITEM
--------------	----	-----	------	-----	------

**C** Continued

CZECH EXTERIOR PLACARDS AND MARKINGS - FUSELAGE .....	11-OK-22-02	-
CZECH EXTERIOR PLACARDS AND MARKINGS - NOSE BAGGAGE .....	11-OK-23-01	-
CZECH INTERIOR PLACARDS AND MARKINGS - AFT CABIN .....	11-OK-32-02	-
CZECH INTERIOR PLACARDS AND MARKINGS - CABIN DOOR .....	11-OK-38-01	-
CZECH INTERIOR PLACARDS AND MARKINGS - CABIN SEATS .....	11-OK-32-04	-
CZECH INTERIOR PLACARDS AND MARKINGS - DIVIDERS .....	11-OK-33-02	-
CZECH INTERIOR PLACARDS AND MARKINGS - ESCAPE HATCH .....	11-OK-38-02	-
CZECH INTERIOR PLACARDS AND MARKINGS - FLIGHT COMPARTMENT .....	11-OK-31-05	-
CZECH INTERIOR PLACARDS AND MARKINGS - FORWARD CABIN .....	11-OK-32-01	-
CZECH INTERIOR PLACARDS AND MARKINGS - LAVATORY .....	11-OK-33-01	-
CZECH INTERIOR PLACARDS AND MARKINGS - LH CONSOLE .....	11-OK-31-04	-

**D**

DAMPING-CABIN DOOR CTR .....	25-80-01-02	-011
DAMPING - CABIN .....	25-80-01-03	-
DAMPING - FLIGHT COMPARTMENT .....	25-80-00-02	-
DANISH EXTERIOR PLACARDS AND MARKINGS - AFT BAGGAGE .....	11-OY-23-02	-
DANISH EXTERIOR PLACARDS AND MARKINGS - CABIN DOOR .....	11-OY-28-01	-
DANISH EXTERIOR PLACARDS AND MARKINGS - ESCAPE HATCH .....	11-OY-28-02	-
DANISH EXTERIOR PLACARDS AND MARKINGS - FUSELAGE .....	11-OY-22-02	-
DANISH EXTERIOR PLACARDS AND MARKINGS - NOSE BAGGAGE .....	11-OY-23-01	-
DANISH INTERIOR PLACARDS AND MARKINGS - AFT CABIN .....	11-OY-32-02	-
DANISH INTERIOR PLACARDS AND MARKINGS - CABIN DOOR .....	11-OY-38-01	-
DANISH INTERIOR PLACARDS AND MARKINGS - CABIN SEATS .....	11-OY-32-04	-
DANISH INTERIOR PLACARDS AND MARKINGS - DIVIDERS .....	11-OY-33-02	-
DANISH INTERIOR PLACARDS AND MARKINGS - ESCAPE HATCH .....	11-OY-38-02	-
DANISH INTERIOR PLACARDS AND MARKINGS - FLIGHT COMPARTMENT .....	11-OY-31-05	-
DANISH INTERIOR PLACARDS AND MARKINGS - FORWARD CABIN .....	11-OY-32-01	-
DANISH INTERIOR PLACARDS AND MARKINGS - LAVATORY .....	11-OY-33-01	-
DANISH INTERIOR PLACARDS AND MARKINGS - LH CONSOLE .....	11-OY-31-04	-
DATA CONCENTRATOR UNIT (DCU) .....	31-40-00-01	-
DC POWER SYSTEM .....	24-30-00-01	-
DE-ICE SYSTEM - PNEUMATIC .....	30-10-00-01	-
DECAL-M2 INSIGNIA .....	11-C-22-02	-001
DECAL-M2 INSIGNIA .....	11-CR-22-02	-001
DECAL-M2 INSIGNIA .....	11-D-22-02	-001
DECAL-M2 INSIGNIA .....	11-F-22-02	-001
DECAL-CABIN DOOR (PUSH) .....	11-F-28-01	-001
DECAL-CABIN DOOR (LOCK) .....	11-F-28-01	-002
DECAL-CABIN DOOR (OPEN) .....	11-F-28-01	-003
DECAL-EMERGENCY EXIT (OPEN) .....	11-F-28-02	-001
DECAL-EMERGENCY EXIT (PUSH) .....	11-F-28-02	-002
DECAL-CABIN DOOR HANDLE INSTRUCTIONS .....	11-F-38-01	-001
DECAL-DECAL CABIN DOOR INSTRUCTIONS .....	11-F-38-01	-002
DECAL-CABIN DOOR INSTRUCTIONS .....	11-F-38-01	-003
DECAL-M2 INSIGNIA .....	11-G-22-02	-001
DECAL-M2 INSIGNIA .....	11-HB-22-02	-001
DECAL-CESSNA LOGO .....	11-HB-22-02	-003
DECAL-M2 INSIGNIA .....	11-HL-22-02	-001
DECAL-CABIN DOOR (PUSH) .....	11-I-28-01	-001
DECAL-M2 INSIGNIA .....	11-JA-22-02	-001
DECAL-M2 INSIGNIA .....	11-LX-22-02	-001
DECAL-M2 INSIGNIA .....	11-M-22-02	-001
DECAL-EXTERNAL POWER RECEPTACLE FSO 5501001-23 .....	11-N-22-04	-001
DECAL-M2 INSIGNIA .....	11-OK-22-02	-001
DECAL-CESSNA LOGO .....	11-OK-22-02	-003
DECAL-M2 INSIGNIA .....	11-OY-22-02	-001

CESSNA®  
**MODEL 525 (SERIALS -0685 AND -0800 AND ON)**  
 ILLUSTRATED PARTS CATALOG

NOMENCLATURE	CH	SEC	SUBJ	FIG	ITEM
--------------	----	-----	------	-----	------

**D** Continued

DECAL-M2 INSIGNIA .....	11-PP-22-01	-150
DECAL-M2 INSIGNIA .....	11-RP-22-02	-001
DECAL-LOCK .....	11-RP-28-01	-001
DECAL-M2 INSIGNIA (PRIVATE AND COMMERCIAL) .....	11-SP-22-02	-001
DECAL-M2 INSIGNIA .....	11-T7-22-02	-001
DECAL-M2 INSIGNIA .....	11-VH-22-02	-001
DECAL-M2 INSIGNIA .....	11-YR-22-02	-001
DETENT BRACKET .....	76-10-01-01	-086
DETENT FOLLOWER-LH .....	76-10-01-02	-015
DETENT FOLLOWER-RH .....	76-10-01-02	-016
DIGITAL AUDIO SYSTEM .....	23-50-01-02	-
DIMMER - PANEL LIGHTS .....	33-10-00-03	-
DISCONNECT ASSY .....	52-40-00-01	-035
DISTANCE MEASURING EQUIPMENT (DME 1) SYSTEM .....	34-51-00-01	-
DISTANCE MEASURING EQUIPMENT (DME 2) SYSTEM .....	34-51-00-02	-
DIVERTER DUCT ASSY .....	21-50-01-01	-015
DIVIDER ASSY-RH UPPER VENEER AND CARBON FIBER .....	25-30-00-03	-001
DIVIDER ASSY-RH UPPER PAINT .....	25-30-00-03	-002
DIVIDER BRACKET ASSY .....	25-21-00-04	-012
DOOR-LH ALT FOR 5514122-91 .....	30-40-00-01	-178
DOOR-RH ALT FOR 5514122-92 .....	30-40-00-01	-180
DOOR ASSY-AIR DIVERTER .....	21-20-01-02	-004
DOOR ASSY-MAIN GEAR .....	32-30-01-01	-015
DOOR ASSY FSO 6511690-17 .....	52-10-00-01	-001
DOOR ASSY FSO 6511690-17 .....	52-10-00-01	-001A
DOOR ASSY FSO 6511690-17 .....	52-10-00-01	-001B
DOOR ASSY .....	52-10-00-01	-001C
DOOR ASSY-LH .....	52-30-00-01	-001
DOOR ASSY-RH .....	52-30-00-01	-002
DOOR ASSY .....	52-30-00-02	-001
DOOR ASSY-HYDRAULIC .....	52-40-00-01	-001
DOOR ASSY-EXTERNAL POWER RECEPTACLE .....	52-40-00-01	-039
DOOR ASSY-LH UPR SPEED BRAKE .....	57-70-00-01	-008
DOOR ASSY-RH UPR SPEED BRAKE .....	57-70-00-01	-009
DOOR ASSY-LH LWR SPEED BRAKE .....	57-70-00-01	-022
DOOR ASSY-RH LWR SPEED BRAKE .....	57-70-00-01	-023
DOOR BOND ASSY-LH .....	30-40-00-01	-177
DOOR BOND ASSY-RH .....	30-40-00-01	-179
DOOR BOND ASSY .....	52-30-00-02	-007
DOOR BOND ASSY-LH .....	52-80-00-01	-084
DOOR BOND ASSY-RH .....	52-80-00-01	-085
DOOR FRAME-FWD .....	52-10-00-02	-008
DOOR FRAME-AFT .....	52-10-00-02	-009
DOOR SKIN BOND ASSY .....	52-10-00-02	-002
DOOR STRUCTURE ASSY .....	52-10-00-02	-001
DOOR STRUCTURE ASSY .....	52-10-00-02	-001A
DOUBLER .....	52-20-00-01	-075
DOUBLER-LH FWD .....	53-25-00-01	-001
DOUBLER-UPPER .....	55-10-00-02	-082
DOUBLER-LOWER .....	55-10-00-02	-083
DOUBLER .....	55-20-00-01	-077
DOUBLER .....	55-20-00-01	-111
DOUBLER .....	55-20-00-01	-113
DOUBLER ASSY-LH .....	53-50-00-02	-236
DOUBLER ASSY-RH .....	53-50-00-02	-237
DOUBLER ASSY-LH .....	56-10-00-02	-018
DOUBLER ASSY-RH .....	56-10-00-02	-019
DOUBLER BOND ASSY-UPR .....	55-10-00-02	-158
DOUBLER BOND ASSY-LWR .....	55-10-00-02	-159
DOUBLER BOND ASSY-LH .....	56-10-01-02	-015



CESSNA®  
**MODEL 525 (SERIALS -0685 AND -0800 AND ON)**  
 ILLUSTRATED PARTS CATALOG

NOMENCLATURE	CH	SEC	SUBJ	FIG	ITEM
--------------	----	-----	------	-----	------

**D** Continued

DOUBLER BOND ASSY-RH .....	56-10-01-02	-016
DRAIN ELBOW ASSY .....	36-10-00-01	-183
DRAIN TUBE .....	52-30-00-02	-010
DRAIN VALVE-FUEL WING .....	28-10-00-02	-006
DRAIN VALVE ASSY .....	21-50-01-01	-009
DRIVE INSTALLATION - AILERON TRIM .....	27-10-02-02	-
DRIVE LINK ASSY-LWR FSO 5511232-200 .....	52-10-01-01	-176
DRIVE LINK ASSY-UPR .....	52-10-01-01	-190
DUCT-AVIONICS COOLING BKI 65.0 IN LG .....	21-20-00-03	-001
DUCT-RH .....	21-20-01-02	-075
DUCT-FLEX BKI .....	30-10-00-01	-033
DUCT ASSY-LH .....	21-20-00-01	-002
DUCT ASSY-LH SIDEWALL .....	21-21-00-03	-001
DUCT ASSY-RH SIDEWALL .....	21-21-00-03	-002
DUCT ASSY-LH AIR LEAKAGE .....	30-10-00-01	-013
DUCT ASSY-RH AIR LEAKAGE .....	30-10-00-01	-014
DUCT TEE ASSY-LH .....	21-21-00-03	-013
DUCT TEE ASSY-RH FWD .....	21-21-00-03	-023
DUCT TEE ASSY-RH AFT .....	21-21-00-03	-024
DVERTER DUCT ASSY .....	21-20-01-02	-002

**E**

ELBOW .....	30-40-00-03	-025
ELBOW ASSY .....	36-10-00-01	-190
ELECTRIC HEATED WINDSHIELD INVERTERS .....	24-20-00-03	-
ELECTRICAL CABLE .....	23-10-00-01	-045
ELECTRICAL WIRE-BKI .....	23-10-00-01	-015
ELECTRONIC CHIME .....	23-30-01-01	-005
ELECTRONIC STANDBY INDICATOR .....	34-16-00-01	-
ELEVATOR ASSEMBLY .....	55-20-00-01	-
ELEVATOR ASSY-LH FSO 6334000-23 .....	55-20-00-01	-004
ELEVATOR ASSY-RH FSO 6334000-24 .....	55-20-00-01	-005
ELEVATOR CONTROL SYSTEM .....	27-30-00-01	-
ELEVATOR CONTROL SYSTEM - SECTOR ASSEMBLY AND HORN .....	27-30-00-02	-
ELEVATOR SKINS .....	55-20-00-02	-
ELEVATOR TRIM CONTROL SYSTEM - CABLES .....	27-30-02-01	-
ELEVATOR TRIM CONTROL SYSTEM - PULLEYS AND BRACKETS .....	27-30-02-02	-
EMERGENCY BRAKE SYSTEM .....	32-41-00-05	-
EMERGENCY EQUIPMENT .....	25-60-01-01	-
EMERGENCY LOCATOR BEACON .....	25-60-00-01	-
EMERGENCY PRESSURIZATION SYSTEM .....	21-30-00-02	-
EMERGENCY PRESSURIZATION SYSTEM .....	30-40-00-03	-045
ENCLOSURE ASSY-RECEPTACLE HOUSING .....	24-40-00-01	-001
ENCLOSURE ASSY .....	24-50-03-01	-001
ENGINE .....	71-00-00-01	-001
ENGINE ANTI-ICE AIR INLETS .....	30-20-00-01	-
ENGINE EXHAUST NOZZLE .....	78-10-00-01	-
ENGINE FIRE SWITCHES .....	26-20-05-01	-
ENGINE FUEL INDICATING SYSTEM .....	73-30-00-01	-
ENGINE FUEL SUPPLY SYSTEM .....	28-20-00-02	-026
ENGINE FUEL SUPPLY SYSTEM .....	73-10-00-01	-
ENGINE NACELLE AIR INLETS .....	71-60-00-01	-
ENGINE PYLON FIREWALL ASSEMBLY .....	54-50-01-01	-
ENGINE/NACELLE ATTACH FITTINGS .....	54-10-00-01	-
ENTRY LADDER INSTALLATION .....	52-60-00-02	-
ENTRY STEP ASSY .....	52-60-00-01	-001
ESCAPE HATCH ASSY .....	52-20-00-01	-001

CESSNA®  
**MODEL 525 (SERIALS -0685 AND -0800 AND ON)**  
 ILLUSTRATED PARTS CATALOG

NOMENCLATURE	CH	SEC	SUBJ	FIG	ITEM
--------------	----	-----	------	-----	------

**E** Continued

ESCAPE HATCH INSTALLATION .....	52-20-00-01	-
ESCUTCHEON ASSY-INNER HANDLE .....	52-10-01-02	-009
EVAPORATOR ASSY-FWD .....	21-50-01-01	-001
EVAPORATOR ASSY-AFT .....	21-50-01-02	-002
EVAPORATOR COVER ASSY .....	25-30-00-03	-111
EVAPORATOR INSTALLATION - AFT AIR CONDITIONER .....	21-50-01-02	-
EVAPORATOR INSTALLATION - FORWARD AIR CONDITIONER .....	21-50-01-01	-
EXECUTIVE TABLE .....	25-22-00-01	-
EXHAUST NOZZLE ASSY-LH .....	78-10-00-01	-001
EXHAUST NOZZLE ASSY-RH .....	78-10-00-01	-002
EXIT SIGN-LED .....	33-20-00-02	-001
EXTENDER ASSY-NOSE BAGGAGE DOOR .....	52-30-00-01	-026
EXTENDER SUPPORT-LH .....	52-30-00-01	-033
EXTENDER SUPPORT-RH .....	52-30-00-01	-034
EXTENSION AND RETRACTION SYSTEM - MAIN GEAR .....	32-30-00-02	-
EXTENSION AND RETRACTION SYSTEM-MAIN GEAR .....	32-30-02-01	-021
EXTENSION PLATE-UPR .....	55-10-00-02	-160
EXTERNAL POWER SYSTEM .....	24-40-00-01	-

**F**

FADEC-LH UT007 .....	76-12-00-01	-010
FADEC-RH UT008 .....	76-12-00-01	-011
FADEC INSTALLATION .....	76-12-00-01	-
FAIRLEAD .....	27-10-02-01	-012
FAIRLEAD .....	27-20-02-01	-019
FAIRLEAD- .....	32-30-02-01	-016
FAIRLEAD ASSY .....	32-30-01-03	-011
FAIRLEAD ASSY .....	32-30-01-03	-018
FAIRLEAD HALF .....	27-70-00-01	-150
FAN HOUSING ASSEMBLY - WINDSHIELD AIR .....	21-22-00-01	-
FILLER CAP AND ADAPTER ASSY .....	28-10-00-02	-016
FILTER ASSY-HYDRAULIC .....	29-10-00-02	-029
FILTER LINE-HYDRAULIC FSO 9912579-5 .....	29-10-00-02	-033
FILTER-VENT .....	32-41-01-01	-019
FINGER GUARD .....	21-20-00-03	-076
FIRE DETECT-ENGINE-SENSOR TD001 .....	26-10-00-01	-001
FIRE DETECTION SYSTEM .....	26-10-00-01	-
FIRE EXTINGUISHER .....	26-20-00-01	-001
FIRE EXTINGUISHER .....	26-20-01-01	-001
FIRE EXTINGUISHER ALT FOR 35031 .....	26-20-01-01	-001A
FIRE EXTINGUISHER - PORTABLE .....	26-20-01-01	-
FIRE EXTINGUISHER SYSTEM .....	26-20-00-02	-
FIRE EXTINGUISHER SYSTEM - ENGINE .....	26-20-00-01	-
FIREWALL-LH .....	71-10-00-01	-077
FIREWALL-RH .....	71-10-00-01	-078A
FIREWALL ASSY-LH NACELLE .....	71-10-00-01	-075
FIREWALL ASSY-RH NACELLE .....	71-10-00-01	-076
FITTING-NLG ACTUATOR SUPPORT .....	32-30-01-04	-105
FITTING-LWR .....	52-60-00-01	-075
FITTING .....	55-30-00-03	-102
FITTING-CENTER .....	55-30-01-01	-012
FITTING ASSY-PNEUMATIC SYSTEM .....	30-40-00-03	-104
FITTING ASSY-LH FWD .....	55-10-00-01	-010
FITTING ASSY-RH FWD .....	55-10-00-01	-011
FITTING ASSY-LH AFT .....	55-10-00-01	-017
FITTING ASSY-RH AFT .....	55-10-00-01	-018
FITTING ASSY-FWD .....	55-30-01-01	-001

CESSNA®  
**MODEL 525 (SERIALS -0685 AND -0800 AND ON)**  
 ILLUSTRATED PARTS CATALOG

NOMENCLATURE	CH	SEC	SUBJ	FIG	ITEM
<b>F</b> Continued					
FITTINGS - WING ATTACH .....	53-50-00-01				-
FLAP ASSY-LH .....	57-50-01-02				-006
FLAP ASSY-RH .....	57-50-01-02				-007
FLAP ATTACH FITTINGS .....	57-50-01-01				-
FLAP BELLCRANK ASSY .....	27-50-00-02				-021
FLAP CONTROL SYSTEM .....	27-50-00-01				-
FLAP CONTROL SYSTEM INTERCONNECT .....	27-50-00-02				-
FLAP HYDRAULIC SYSTEM .....	27-50-01-01				-
FLAP SECTOR STOP ASSY .....	76-10-01-01				-075
FLAPS .....	57-50-01-02				-
FLEX JOINT .....	30-40-00-03				-001
FLIGHT COMPARTMENT WINDOW SUPPORT STRUCTURE .....	56-10-01-02				-
FLIGHT HOURMETER .....	31-30-00-01				-
FLOOD LIGHT INSTALLATION - TAIL .....	33-40-00-03				-
FLOOR COVER ASSY-LH FWD FLIGHT COMPARTMENT .....	25-20-00-03				-001
FLOOR COVER ASSY-RH FWD FLIGHT COMPARTMENT .....	25-20-00-03				-002
FLOOR COVER ASSY-MID INBD FLIGHT COMPARTMENT .....	25-20-00-03				-003
FLOOR COVER ASSY-AFT FLIGHT COMPARTMENT .....	25-20-00-03				-004
FLOOR PANEL-RH FWD .....	53-11-00-01				-093
FLOOR PANEL-LH .....	53-30-00-02				-001
FLOOR REGISTER-BLACK .....	21-20-01-02				-030
FLOORBOARD .....	53-21-00-05				-023
FLOORBOARD ASSY .....	53-21-00-05				-030
FLOORBOARD ASSY .....	53-21-00-05				-031
FLOORBOARD PANEL .....	53-21-00-05				-028
FLOORBOARD PANEL ASSY .....	53-21-00-05				-029
FLOORBOARD SUPPORT-LH .....	53-21-00-05				-011
FLOORBOARD SUPPORT-LH .....	53-21-00-05				-012
FLOORBOARD SUPPORT-RH .....	53-21-00-05				-013
FLOORBOARD SUPPORT-LH .....	53-21-00-05				-014
FLOORBOARD SUPPORT-RH .....	53-21-00-05				-015
FLOORBOARD SUPPORT-LH .....	53-21-00-05				-016
FLOW CONTROL ASSY .....	27-50-01-01				-075
FORWARD CABIN CURTAIN AND HEADER .....	25-21-00-01				-
FORWARD CABIN STRINGER INSTALLATION .....	53-20-02-01				-
FORWARD CABIN STRUCTURE INSTALLATION .....	53-20-03-01				-
FORWARD ENGINE ISOLATOR INSTALLATION .....	71-20-00-01				-
FORWARD PRESSURE BULKHEAD .....	53-20-00-01				-
FRAME-UPR FWD CORNER .....	52-10-00-02				-004
FRAME-URP AFT CORNER .....	52-10-00-02				-005
FRAME-LWR FWD CORNER .....	52-10-00-02				-006
FRAME-LWR AFT CORNER .....	52-10-00-02				-007
FRAME .....	52-20-00-01				-096
FRAME-UPR .....	53-10-00-02				-150
FRAME-UPPER .....	53-20-03-01				-225
FRAME .....	53-20-03-01				-227
FRAME-RH .....	53-20-03-01				-233
FRAME-RH .....	53-20-03-01				-233A
FRAME-LOWER .....	53-20-03-01				-234
FRAME-LH .....	53-20-03-01				-241
FRAME-LH UPPER .....	53-20-07-01				-001
FRAME-LH .....	56-10-01-02				-009
FRAME-RH .....	56-10-01-02				-010
FRAME ANGLE-UPR .....	53-20-00-02				-001
FRAME ASSY-LH CUPHOLDER .....	25-10-02-02				-083
FRAME ASSY-RH CUPHOLDER .....	25-10-02-02				-084
FRAME ASSY .....	53-10-00-02				-001
FRAME ASSY-LH .....	53-10-00-02				-151
FRAME ASSY-LH DOOR .....	53-10-00-02				-225
FRAME ASSY-RH DOOR .....	53-10-00-02				-226

CESSNA®  
**MODEL 525 (SERIALS -0685 AND -0800 AND ON)**  
 ILLUSTRATED PARTS CATALOG

NOMENCLATURE	CH	SEC	SUBJ	FIG	ITEM
--------------	----	-----	------	-----	------

**F** Continued

FRAME ASSY-LH .....	53-50-00-02	-225
FRAME ASSY-RH .....	53-50-00-02	-226
FRAME SUPPORT-LH .....	53-50-00-02	-245
FRAME SUPPORT-RH .....	53-50-00-02	-246
FRENCH EXTERIOR PLACARDS AND MARKINGS - AFT BAGGAGE .....	11-F-23-02	-
FRENCH EXTERIOR PLACARDS AND MARKINGS - CABIN DOOR .....	11-F-28-01	-
FRENCH EXTERIOR PLACARDS AND MARKINGS - ESCAPE HATCH .....	11-F-28-02	-
FRENCH EXTERIOR PLACARDS AND MARKINGS - FUSELAGE .....	11-F-22-02	-
FRENCH EXTERIOR PLACARDS AND MARKINGS - NOSE BAGGAGE .....	11-F-23-01	-
FRENCH INTERIOR PLACARDS AND MARKINGS - AFT CABIN .....	11-F-32-02	-
FRENCH INTERIOR PLACARDS AND MARKINGS - CABIN DOOR .....	11-F-38-01	-
FRENCH INTERIOR PLACARDS AND MARKINGS - CABIN SEATS .....	11-F-32-04	-
FRENCH INTERIOR PLACARDS AND MARKINGS - DIVIDERS .....	11-F-33-02	-
FRENCH INTERIOR PLACARDS AND MARKINGS - ESCAPE HATCH .....	11-F-38-02	-
FRENCH INTERIOR PLACARDS AND MARKINGS - FLIGHT COMPARTMENT .....	11-F-31-05	-
FRENCH INTERIOR PLACARDS AND MARKINGS - FORWARD CABIN .....	11-F-32-01	-
FRENCH INTERIOR PLACARDS AND MARKINGS - LAVATORY .....	11-F-33-01	-
FRENCH INTERIOR PLACARDS AND MARKINGS - LH CONSOLE .....	11-F-31-04	-
FRICTION DISC .....	76-10-01-01	-027
FRONT SPAR CAP-UPPER .....	57-10-00-01	-006
FRONT SPAR CAP-LOWER .....	57-10-00-01	-013
FROST PANE-PILOT OUTER .....	56-10-01-01	-017
FROST PANE-COPILOT OUTER .....	56-10-01-01	-018
FROST PANE-PILOT INNER .....	56-10-01-01	-019
FROST PANE-COPILOT INNER .....	56-10-01-01	-020
FUEL DISTRIBUTION SYSTEM-WING ROOT .....	28-20-00-02	-025
FUEL DISTRIBUTION SYSTEM - FUSELAGE .....	28-20-00-02	-
FUEL DISTRIBUTION SYSTEM - WING ROOT .....	28-20-00-01	-
FUEL LOW LEVEL WARNING SYSTEM .....	28-40-01-01	-
FUEL PUMP-ELECTRIC .....	28-20-00-01	-009
FUEL QUANTITY INDICATING SYSTEM .....	28-40-00-01	-
FULL DIVIDER ASSY-RH AFT .....	25-21-00-04	-002
FUSE LIMITER .....	24-50-02-01	-020
FUSELAGE SKINS .....	53-24-00-01	-
FWD SPAR ASSY .....	55-10-00-01	-029

**G**

GARMIN ATTITUDE HEADING REFERENCE SYSTEM (AHRS) .....	34-28-00-01	-
GARMIN G3000 INTEGRATED AVIONICS SYSTEM .....	34-61-00-01	-
GARMIN GDC 7400 AIR DATA COMPUTER .....	34-12-00-01	-
GARMIN GEA-7100 ENGINE/AIRFRAME INTERFACE UNIT .....	77-40-05-01	-
GARMIN GFC700 AFCS CONTROLLER .....	22-10-00-02	-
GARMIN GIA 63W INTEGRATED AVIONICS UNIT .....	34-61-05-01	-
GARMIN GSR 56 IRIDIUM SYSTEM .....	34-44-01-01	-
GARMIN TRANSPONDER SYSTEM .....	34-50-00-01	-
GAS SPRING EXTENDER-TAILCONE BAGGAGE DOOR FSO 2998EA .....	52-30-00-02	-022
GAS SPRING EXTENDER-TAILCONE BAGGAGE DOOR FOR SPARES ONLY .....	52-30-00-02	-023
GASKET-RH .....	32-41-00-01	-158
GAUGE-PRESSURE BRAKE SYSTEM .....	32-41-00-01	-111
GAUGE-PRESSURE ALT FOR 18215203 .....	32-41-00-01	-112
GDL59 DATALINK UN515 .....	34-44-01-01	-012
GDR 66-VHF DATA LINK UT550 .....	23-10-01-01	-001
GDR-66-MOUNT .....	23-10-01-01	-002
GEAR DOOR ASSY-LH MAIN GEAR .....	52-80-00-01	-075
GEAR DOOR ASSY-RH MAIN GEAR .....	52-80-00-01	-076
GEAR EMERGENCY CONTROL SYSTEM-PNEUMATIC .....	32-30-00-03	-094
GEAR EMERGENCY CONTROL SYSTEM - FUSELAGE .....	32-30-00-03	-

CESSNA®  
**MODEL 525 (SERIALS -0685 AND -0800 AND ON)**  
 ILLUSTRATED PARTS CATALOG

NOMENCLATURE	CH SEC SUBJ FIG	ITEM
--------------	-----------------	------

**G** Continued

GEAR EMERGENCY CONTROL SYSTEM - NOSE .....	32-30-00-04	-
GEAR EMERGENCY CONTROL SYSTEM - PNEUMATIC .....	32-30-00-06	-
GEAR EMERGENCY CONTROL SYSTEM - WING .....	32-30-00-05	-
GEAR EMERGENCY EXTENSION SYSTEM - FUSELAGE.....	32-30-02-01	-
GEAR EXTENSION AND RETRACTION CONTROL SYSTEM .....	32-30-00-01	-
GERMAN EXTERIOR PLACARDS AND MARKINGS - AFT BAGGAGE.....	11-D-23-02	-
GERMAN EXTERIOR PLACARDS AND MARKINGS - CABIN DOOR .....	11-D-28-01	-
GERMAN EXTERIOR PLACARDS AND MARKINGS - ESCAPE HATCH.....	11-D-28-02	-
GERMAN EXTERIOR PLACARDS AND MARKINGS - FUSELAGE .....	11-D-22-02	-
GERMAN EXTERIOR PLACARDS AND MARKINGS - NOSE BAGGAGE .....	11-D-23-01	-
GERMAN INTERIOR PLACARDS AND MARKINGS - AFT CABIN .....	11-D-32-02	-
GERMAN INTERIOR PLACARDS AND MARKINGS - CABIN DOOR .....	11-D-38-01	-
GERMAN INTERIOR PLACARDS AND MARKINGS - CABIN SEATS .....	11-D-32-04	-
GERMAN INTERIOR PLACARDS AND MARKINGS - DIVIDERS .....	11-D-33-02	-
GERMAN INTERIOR PLACARDS AND MARKINGS - ESCAPE HATCH .....	11-D-38-02	-
GERMAN INTERIOR PLACARDS AND MARKINGS - FLIGHT COMPARTMENT .....	11-D-31-05	-
GERMAN INTERIOR PLACARDS AND MARKINGS - FORWARD CABIN .....	11-D-32-01	-
GERMAN INTERIOR PLACARDS AND MARKINGS - LAVATORY .....	11-D-33-01	-
GERMAN INTERIOR PLACARDS AND MARKINGS - LH CONSOLE .....	11-D-31-04	-
GIA 63 REMOTE RACK .....	34-61-05-01	-002
GLARESHIELD INSTALLATION .....	25-10-01-01	-
GLIDESLOPE SYSTEM .....	34-30-00-01	-
GMA 36 REMOTE AUDIO-LH UI511 .....	23-50-01-02	-001
GMA 36 REMOTE AUDIO-RH UI512 .....	23-50-01-02	-002
GMA 36 REMOTE RACK .....	23-50-01-02	-003
GRABBER PLATE ASSY .....	25-20-02-01	-002
GRAPHICAL WEATHER SYSTEM .....	34-44-00-01	-
GRILL ASSY .....	23-30-01-01	-009
GSR 56 UT551 .....	34-44-01-01	-005
GTC 570 CONTROLLER-LH UI429 .....	34-61-00-01	-075
GTC 570 CONTROLLER-RH UI428 .....	34-61-00-01	-076
GUSSET-LH .....	53-10-00-02	-075
GWX 70 ANTENNA-YN804 .....	34-44-00-03	-002
GWX 70 RADAR-UN803 .....	34-44-00-03	-001

**H**

HANDLE-INNER .....	52-20-00-01	-020
HANDLE ASSY-OUTER CABIN DOOR .....	52-10-01-02	-001
HANDLE ASSY-INNER CABIN DOOR .....	52-10-01-02	-016
HANDLE ASSY-OUTER .....	52-20-00-01	-027
HANDLE ASSY- .....	52-30-00-01	-005
HARNESS ASSY-CLAIRITY LT .....	44-20-00-01	-006
HEADREST CUSHION ASSY .....	25-20-05-01	-376
HEADREST TUBE ASSY .....	25-20-05-01	-387
HEADREST UPHOLSTERY ASSY FSO 4711938-88 .....	25-20-05-01	-375
HEAT EXCHANGER-PRESSURIZATION .....	21-10-00-01	-036
HEAT EXCHANGER .....	30-40-00-03	-098
HEAT SHIELD .....	57-40-00-01	-002
HEAT SHIELD .....	57-40-00-01	-003
HEAT SHIELD-LH CTR .....	57-40-00-01	-007
HEAT SHIELD-LH OUTBD .....	57-40-00-01	-009
HI-POWER INMARSAT LOW NOISE AMP (LNA) UT519 .....	23-16-00-01	-010
HINGE ASSY .....	24-40-00-01	-010
HINGE ASSY-DOOR FSO 6511695-204 .....	52-10-00-01	-016
HINGE ASSY-FWD .....	52-30-00-01	-015
HINGE ASSY-AFT .....	52-30-00-01	-016
HINGE ASSY .....	52-40-00-01	-005

CESSNA®  
**MODEL 525 (SERIALS -0685 AND -0800 AND ON)**  
 ILLUSTRATED PARTS CATALOG

NOMENCLATURE	CH	SEC	SUBJ	FIG	ITEM
--------------	----	-----	------	-----	------

**H** Continued

HINGE ASSY-FWD FSO 6511298-5 .....	52-60-00-01				-093
HINGE ASSY-FWD .....	52-60-00-01				-093A
HINGE ASSY-AFT FSO 6511298-6 .....	52-60-00-01				-094
HINGE ASSY-AFT .....	52-60-00-01				-094A
HINGE ASSY-FWD .....	52-80-00-01				-015
HINGE ASSY-AFT .....	52-80-00-01				-016
HINGE HALF-LH .....	55-20-00-01				-150
HINGE HALF-RH .....	55-20-00-01				-151
HINGE HALF-LH .....	55-20-00-01				-163
HINGE HALF-RH .....	55-20-00-01				-164
HINGE HALF-UPPER AND LOWER .....	55-40-00-01				-076
HINGE HALF-CENTER .....	55-40-00-01				-079
HINGE SUPPORT ASSY .....	52-40-00-01				-017
HINGES AND FITTINGS - VERTICAL STABILIZER .....	55-30-01-01				-
HOOK ASSY-UPLOCK .....	32-20-00-01				-008
HOOK ASSY .....	52-10-00-01				-080
HORIZONTAL STABILIZER ACCESS PANELS .....	55-10-01-01				-
HORIZONTAL STABILIZER ASSEMBLY .....	55-10-00-01				-
HORIZONTAL STABILIZER SKINS .....	55-10-00-03				-
HORIZONTAL STABILIZER STRUCTURE INSTALLATION .....	55-10-00-02				-
HORN ASSY-LH ELEVATOR CONTROL .....	27-30-00-02				-044
HORN ASSY-RH ELEVATOR CONTROL .....	27-30-00-02				-045
HORN ASSY .....	55-20-00-01				-156
HORN ASSY-ACTUATOR ROD ATTACH .....	55-40-00-01				-092
HOSE ASSY .....	21-50-00-01				-002
HOSE ASSY ALT FOR S3199-4-1120 .....	21-50-00-01				-002A
HOSE ASSY .....	21-50-00-01				-004
HOSE ASSY ALT FOR S3199-8-1020 .....	21-50-00-01				-004A
HOSE ASSY FSO AE717889-1 .....	21-50-00-01				-029
HOSE ASSY .....	21-50-00-01				-029A
HOSE ASSY FSO AE1014850G .....	21-50-00-01				-031
HOSE ASSY .....	21-50-00-01				-031A
HOSE ASSY-EXTEND .....	32-30-00-02				-044
HOSE ASSY-EXTEND .....	32-30-00-02				-045
HOSE ASSY-EXTEND .....	32-30-01-04				-023
HOSE ASSY-RETRACT .....	32-30-01-04				-079
HOSE ASSY-LH HYDRAULIC .....	32-41-00-04				-045
HOSE ASSY-RH HYDRAULIC .....	32-41-00-04				-046
HOSE ASSY-LH HYDRAULIC .....	32-41-00-04				-047
HOSE ASSY-RH HYDRAULIC .....	32-41-00-04				-048
HOSE ASSY-LH MOTIVE FLOW .....	73-10-00-01				-001
HOSE ASSY-RH MOTIVE FLOW .....	73-10-00-01				-010
HOSE ASSY-LH FUEL MAIN .....	73-10-00-01				-011
HOSE ASSY-RH FUEL MAIN .....	73-10-00-01				-021
HYDRAULIC AND EXTERNAL POWER DOORS .....	52-40-00-01				-
HYDRAULIC RESERVOIR .....	29-10-00-02				-001
HYDRAULIC SHUTTLE VALVE .....	32-30-02-01				-008
HYDRAULIC SYSTEM .....	29-10-00-01				-
HYDRAULIC SYSTEM-BLEED AIR .....	30-10-00-01				-098
HYDRAULIC SYSTEM COMPONENTS .....	29-10-00-02				-

**I**

ICE BOOT .....	32-20-00-01				-027
ICE DETECTOR LIGHT .....	33-10-00-02				-001
IDLER-LWR .....	52-10-01-01				-159
IDLER ASSY .....	27-70-00-01				-081
INDEXER-AOA .....	34-25-00-01				-001

CESSNA®  
**MODEL 525 (SERIALS -0685 AND -0800 AND ON)**  
 ILLUSTRATED PARTS CATALOG

NOMENCLATURE	CH SEC SUBJ FIG	ITEM
--------------	-----------------	------

I Continued

INDEXER CONTROLLER-STALL WARNING UC023	34-25-00-01	-016
INDICATOR-ELEVATOR TRIM	27-30-02-01	-006
INDICATOR-ELEVATOR TRIM	76-10-01-03	-029
INDICATOR ASSY-UPR	52-10-01-01	-184
INDICATOR ASSY-LWR	52-10-01-01	-187
INLET ASSY-UNDERFLOOR AIR	21-20-01-01	-004
INLET DIFFUSER ASSY-LH	36-10-00-01	-039
INSTRUMENT PANEL SUPPORTS	53-20-01-01	-
INSULATION-COCKPIT WINDOW	25-10-02-01	-019
INSULATION-WINDSHIELD	25-10-02-01	-020
INSULATION-CTR FWD CABIN TOP	25-80-01-01	-001
INSULATION-FWD	25-80-01-01	-002
INSULATION-CABIN TOP	25-80-01-01	-003
INSULATION-LH CABIN TOP	25-80-01-01	-004
INSULATION-RH CABIN TOP	25-80-01-01	-005
INSULATION-RH CABIN TOP	25-80-01-01	-006
INSULATION-LH CABIN TOP	25-80-01-01	-007
INSULATION-LH CABIN TOP	25-80-01-01	-008
INSULATION-RH CABIN TOP	25-80-01-01	-009
INSULATION-LH CABIN TOP	25-80-01-01	-010
INSULATION-RH CABIN TOP	25-80-01-01	-011
INSULATION-LH CABIN TOP	25-80-01-01	-012
INSULATION-RH CABIN TOP	25-80-01-01	-013
INSULATION-LH CABIN TOP	25-80-01-01	-014
INSULATION-RH CABIN TOP	25-80-01-01	-015
INSULATION-LH CABIN TOP	25-80-01-01	-016
INSULATION-RH CABIN TOP	25-80-01-01	-017
INSULATION-LH CABIN TOP	25-80-01-01	-018
INSULATION-RH CABIN TOP	25-80-01-01	-019
INSULATION-LH CABIN TOP	25-80-01-01	-020
INSULATION-RH CABIN TOP	25-80-01-01	-021
INSULATION-LH CABIN TOP	25-80-01-01	-022
INSULATION-RH CABIN TOP	25-80-01-01	-023
INSULATION-LH CABIN TOP	25-80-01-01	-024
INSULATION-RH CABIN TOP	25-80-01-01	-025
INSULATION-LH CABIN TOP	25-80-01-01	-026
INSULATION-RH CABIN TOP	25-80-01-01	-027
INSULATION-LH CABIN TOP	25-80-01-01	-028
INSULATION-CABIN TOP	25-80-01-01	-029
INSULATION-RH CABIN TOP	25-80-01-01	-030
INSULATION-LH CABIN TOP	25-80-01-01	-031
INSULATION-CTR CABIN TOP	25-80-01-01	-032
INSULATION-RH CABIN TOP	25-80-01-01	-033
INSULATION-LH CABIN TOP	25-80-01-01	-034
INSULATION-RH CABIN TOP	25-80-01-01	-035
INSULATION-LH CABIN TOP	25-80-01-01	-036
INSULATION-RH CABIN TOP	25-80-01-01	-037
INSULATION-LH CABIN TOP	25-80-01-01	-038
INSULATION-RH CABIN TOP	25-80-01-01	-039
INSULATION-LH CABIN TOP	25-80-01-01	-040
INSULATION-AFT BULKHEAD	25-80-01-01	-041
INSULATION-AFT BULKHEAD	25-80-01-01	-042
INSULATION-AFT BULKHEAD	25-80-01-01	-043
INSULATION-LH SIDE	25-80-01-01	-075
INSULATION-LH SIDE	25-80-01-01	-076
INSULATION-LH SIDE	25-80-01-01	-077
INSULATION-LH SIDE	25-80-01-01	-078
INSULATION-LH SIDE	25-80-01-01	-079
INSULATION-LH SIDE	25-80-01-01	-080
INSULATION-LH SIDE	25-80-01-01	-081

CESSNA®  
**MODEL 525 (SERIALS -0685 AND -0800 AND ON)**  
 ILLUSTRATED PARTS CATALOG

NOMENCLATURE	CH	SEC	SUBJ	FIG	ITEM
--------------	----	-----	------	-----	------

I Continued

INSULATION-LH SIDE .....	25-80-01-01				-082
INSULATION-LH SIDE .....	25-80-01-01				-083
INSULATION-LH SIDE .....	25-80-01-01				-084
INSULATION-LH SIDE .....	25-80-01-01				-085
INSULATION-LH SIDE .....	25-80-01-01				-086
INSULATION-LH SIDE .....	25-80-01-01				-087
INSULATION-LH SIDE .....	25-80-01-01				-088
INSULATION-LH SIDE .....	25-80-01-01				-089
INSULATION-LH SIDE .....	25-80-01-01				-090
INSULATION-LH SIDE .....	25-80-01-01				-091
INSULATION-LH SIDE .....	25-80-01-01				-092
INSULATION-LH SIDE .....	25-80-01-01				-093
INSULATION-LH SIDE .....	25-80-01-01				-094
INSULATION-LH SIDE .....	25-80-01-01				-095
INSULATION-LH SIDE .....	25-80-01-01				-096
INSULATION-LH SIDE .....	25-80-01-01				-097
INSULATION-LH SIDE .....	25-80-01-01				-098
INSULATION-LH SIDE .....	25-80-01-01				-099
INSULATION-LH SIDE .....	25-80-01-01				-100
INSULATION-LH SIDE .....	25-80-01-01				-101
INSULATION-LH SIDE .....	25-80-01-01				-102
INSULATION-LH SIDE .....	25-80-01-01				-103
INSULATION-LH SIDE .....	25-80-01-01				-104
INSULATION-LH SIDE .....	25-80-01-01				-105
INSULATION-LH SIDE .....	25-80-01-01				-106
INSULATION-RH SIDE .....	25-80-01-01				-151
INSULATION-RH SIDE .....	25-80-01-01				-152
INSULATION-RH SIDE .....	25-80-01-01				-153
INSULATION-RH SIDE .....	25-80-01-01				-154
INSULATION-RH SIDE .....	25-80-01-01				-155
INSULATION-RH SIDE .....	25-80-01-01				-158
INSULATION-RH SIDE .....	25-80-01-01				-159
INSULATION-RH SIDE .....	25-80-01-01				-160
INSULATION-RH SIDE .....	25-80-01-01				-161
INSULATION-RH SIDE .....	25-80-01-01				-162
INSULATION-RH SIDE .....	25-80-01-01				-163
INSULATION-RH SIDE .....	25-80-01-01				-164
INSULATION-RH SIDE .....	25-80-01-01				-165
INSULATION-RH SIDE .....	25-80-01-01				-166
INSULATION-RH SIDE .....	25-80-01-01				-167
INSULATION-RH SIDE .....	25-80-01-01				-168
INSULATION-RH SIDE .....	25-80-01-01				-169
INSULATION-RH SIDE .....	25-80-01-01				-170
INSULATION-RH SIDE .....	25-80-01-01				-171
INSULATION-RH SIDE .....	25-80-01-01				-172
INSULATION-RH SIDE .....	25-80-01-01				-173
INSULATION-RH SIDE .....	25-80-01-01				-174
INSULATION-RH SIDE .....	25-80-01-01				-175
INSULATION-RH SIDE .....	25-80-01-01				-176
INSULATION-RH SIDE .....	25-80-01-01				-177
INSULATION-RH SIDE .....	25-80-01-01				-178
INSULATION-RH SIDE .....	25-80-01-01				-179
INSULATION-RH SIDE .....	25-80-01-01				-180
INSULATION-RH SIDE .....	25-80-01-01				-181
INSULATION-RH SIDE .....	25-80-01-01				-182
INSULATION-RH SIDE .....	25-80-01-01				-183
INSULATION-RH SIDE .....	25-80-01-01				-184
INSULATION-CABIN DOOR UPR FWD .....	25-80-01-02				-001
INSULATION-CABIN DOOR UPR CTR .....	25-80-01-02				-002
INSULATION-CABIN DOOR UPR AFT .....	25-80-01-02				-003



CESSNA®  
**MODEL 525 (SERIALS -0685 AND -0800 AND ON)**  
 ILLUSTRATED PARTS CATALOG

NOMENCLATURE	CH SEC SUBJ FIG	ITEM
Continued		
INSULATION-CABIN DOOR FWD.....	25-80-01-02	-004
INSULATION-CABIN DOOR AFT.....	25-80-01-02	-005
INSULATION-CABIN DOOR FWD.....	25-80-01-02	-006
INSULATION-CABIN DOOR AFT.....	25-80-01-02	-007
INSULATION-CABIN DOOR FWD.....	25-80-01-02	-008
INSULATION-CABIN DOOR CTR.....	25-80-01-02	-009
INSULATION-CABIN DOOR AFT.....	25-80-01-02	-010
INSULATION-CABIN DOOR FWD.....	25-80-01-02	-012
INSULATION-CABIN DOOR AFT.....	25-80-01-02	-013
INSULATION-CABIN DOOR FWD.....	25-80-01-02	-014
INSULATION-CABIN DOOR AFT.....	25-80-01-02	-015
INSULATION-CABIN DOOR CTR.....	25-80-01-02	-016
INSULATION-CABIN DOOR FWD.....	25-80-01-02	-017
INSULATION-CABIN DOOR AFT.....	25-80-01-02	-018
INSULATION-CABIN DOOR LWR CTR.....	25-80-01-02	-019
INSULATION-CABIN DOOR LWR CTR.....	25-80-01-02	-020
INSULATION-CABIN DOOR LWR CTR.....	25-80-01-02	-021
INSULATION-ESCAPE HATCH UPR FWD.....	25-80-01-02	-022
INSULATION-ESCAPE HATCH UPR AFT.....	25-80-01-02	-023
INSULATION-ESCAPE HATCH FWD.....	25-80-01-02	-024
INSULATION-ESCAPE HATCH AFT.....	25-80-01-02	-025
INSULATION-ESCAPE HATCH UPR CTR FWD.....	25-80-01-02	-026
INSULATION-ESCAPE HATCH UPR CTR AFT.....	25-80-01-02	-027
INSULATION-ESCAPE HATCH LWR CTR FWD.....	25-80-01-02	-028
INSULATION-ESCAPE HATCH LWR CTR AFT.....	25-80-01-02	-029
INSULATION-ESCAPE HATCH LWR.....	25-80-01-02	-030
INSULATION - BAGGED CABIN.....	25-80-01-01	-
INSULATION - BAGGED CABIN DOOR AND ESCAPE HATCH.....	25-80-01-02	-
INSULATION - BAGGED FLIGHT COMPARTMENT.....	25-80-00-01	-
INSULATION BLANKETS - OVERHEAD CABIN DUCTS.....	25-80-02-01	-
INSULATION TUBE.....	21-50-00-01	-014
INSULATOR ASSY.....	23-10-00-01	-038
INTERCOSTAL-UPPER FWD.....	52-20-00-01	-078
INTERCOSTAL-UPPER AFT.....	52-20-00-01	-081
INTERCOSTAL-LOWER FWD.....	52-20-00-01	-088
INTERCOSTAL-LOWER AFT.....	52-20-00-01	-089
INTERCOSTAL ASSY-FWD.....	25-22-00-01	-045
INTERCOSTAL ASSY-AFT.....	25-22-00-01	-046
INTERNAL DOUBLER-LH.....	53-40-00-03	-001
INTERNAL DOUBLER-RH.....	53-40-00-03	-002
IRIDIUM FILTER-DUAL UT553.....	23-16-00-01	-001
IRIDIUM FILTER-SINGLE UT518.....	23-16-00-01	-002
IRIDIUM SATELLITE PHONE.....	23-10-02-02	-
ISLE OF MAN EXTERIOR PLACARDS AND MARKINGS - AFT BAGGAGE.....	11-M-23-02	-
ISLE OF MAN EXTERIOR PLACARDS AND MARKINGS - CABIN DOOR.....	11-M-28-01	-
ISLE OF MAN EXTERIOR PLACARDS AND MARKINGS - ESCAPE HATCH.....	11-M-28-02	-
ISLE OF MAN EXTERIOR PLACARDS AND MARKINGS - FUSELAGE.....	11-M-22-02	-
ISLE OF MAN EXTERIOR PLACARDS AND MARKINGS - NOSE BAGGAGE.....	11-M-23-01	-
ISLE OF MAN INTERIOR PLACARDS AND MARKINGS - AFT CABIN.....	11-M-32-02	-
ISLE OF MAN INTERIOR PLACARDS AND MARKINGS - CABIN DOOR.....	11-M-38-01	-
ISLE OF MAN INTERIOR PLACARDS AND MARKINGS - CABIN SEATS.....	11-M-32-04	-
ISLE OF MAN INTERIOR PLACARDS AND MARKINGS - DIVIDERS.....	11-M-33-02	-
ISLE OF MAN INTERIOR PLACARDS AND MARKINGS - ESCAPE HATCH.....	11-M-38-02	-
ISLE OF MAN INTERIOR PLACARDS AND MARKINGS - FLIGHT COMPARTMENT.....	11-M-31-05	-
ISLE OF MAN INTERIOR PLACARDS AND MARKINGS - FORWARD CABIN.....	11-M-32-01	-
ISLE OF MAN INTERIOR PLACARDS AND MARKINGS - LAVATORY.....	11-M-33-01	-
ISLE OF MAN INTERIOR PLACARDS AND MARKINGS - LH CONSOLE.....	11-M-31-04	-
ISOLATION SHUTOFF VALVE.....	30-10-00-01	-007
ITALIAN EXTERIOR PLACARDS AND MARKINGS - AFT BAGGAGE.....	11-I-23-02	-
ITALIAN EXTERIOR PLACARDS AND MARKINGS - CABIN DOOR.....	11-I-28-01	-

CESSNA®  
**MODEL 525 (SERIALS -0685 AND -0800 AND ON)**  
 ILLUSTRATED PARTS CATALOG

NOMENCLATURE	CH	SEC	SUBJ	FIG	ITEM
--------------	----	-----	------	-----	------

I Continued

ITALIAN EXTERIOR PLACARDS AND MARKINGS - ESCAPE HATCH .....	11-I-28-02	-
ITALIAN EXTERIOR PLACARDS AND MARKINGS - FUSELAGE .....	11-I-22-02	-
ITALIAN EXTERIOR PLACARDS AND MARKINGS - NOSE BAGGAGE .....	11-I-23-01	-
ITALIAN INTERIOR PLACARDS AND MARKINGS - AFT CABIN .....	11-I-32-02	-
ITALIAN INTERIOR PLACARDS AND MARKINGS - CABIN DOOR .....	11-I-38-01	-
ITALIAN INTERIOR PLACARDS AND MARKINGS - CABIN SEATS .....	11-I-32-04	-
ITALIAN INTERIOR PLACARDS AND MARKINGS - DIVIDERS .....	11-I-33-02	-
ITALIAN INTERIOR PLACARDS AND MARKINGS - ESCAPE HATCH .....	11-I-38-02	-
ITALIAN INTERIOR PLACARDS AND MARKINGS - FLIGHT COMPARTMENT .....	11-I-31-05	-
ITALIAN INTERIOR PLACARDS AND MARKINGS - FORWARD CABIN .....	11-I-32-01	-
ITALIAN INTERIOR PLACARDS AND MARKINGS - LAVATORY .....	11-I-33-01	-
ITALIAN INTERIOR PLACARDS AND MARKINGS - LH CONSOLE .....	11-I-31-04	-

J

JAPANESE EXTERIOR PLACARDS AND MARKINGS - AFT BAGGAGE .....	11-JA-23-02	-
JAPANESE EXTERIOR PLACARDS AND MARKINGS - CABIN DOOR .....	11-JA-28-01	-
JAPANESE EXTERIOR PLACARDS AND MARKINGS - ESCAPE HATCH .....	11-JA-28-02	-
JAPANESE EXTERIOR PLACARDS AND MARKINGS - FUSELAGE .....	11-JA-22-02	-
JAPANESE EXTERIOR PLACARDS AND MARKINGS - NOSE BAGGAGE .....	11-JA-23-01	-
JAPANESE INTERIOR PLACARDS AND MARKINGS - AFT CABIN .....	11-JA-32-02	-
JAPANESE INTERIOR PLACARDS AND MARKINGS - CABIN DOOR .....	11-JA-38-01	-
JAPANESE INTERIOR PLACARDS AND MARKINGS - CABIN SEATS .....	11-JA-32-04	-
JAPANESE INTERIOR PLACARDS AND MARKINGS - DIVIDERS .....	11-JA-33-02	-
JAPANESE INTERIOR PLACARDS AND MARKINGS - ESCAPE HATCH .....	11-JA-38-02	-
JAPANESE INTERIOR PLACARDS AND MARKINGS - FLIGHT COMPARTMENT .....	11-JA-31-05	-
JAPANESE INTERIOR PLACARDS AND MARKINGS - FORWARD CABIN .....	11-JA-32-01	-
JAPANESE INTERIOR PLACARDS AND MARKINGS - INSTRUMENT PANEL .....	11-JA-31-01	-
JAPANESE INTERIOR PLACARDS AND MARKINGS - LAVATORY .....	11-JA-33-01	-
JAPANESE INTERIOR PLACARDS AND MARKINGS - LH CONSOLE .....	11-JA-31-04	-
JUMPER ASSY .....	27-50-00-02	-118
JUMPER ASSY-GROUND .....	52-30-00-02	-111
JUMPER ASSY-ELECTRICAL BOND LH AND RH .....	55-20-00-01	-001
JUMPER ASSY-TRIM TAB .....	55-20-00-01	-182
JUMPER ASSY .....	55-20-00-01	-185
JUMPER ASSY-AILERON TO WING .....	57-60-00-01	-034
JUMPER ASSY-ENGINE TO PYLON GROUNDING .....	71-00-00-01	-017
JUMPER CABLE ASSY .....	32-20-00-01	-022
JUNCTION BOX - AUXILIARY .....	24-50-04-01	-

K

KNOB .....	27-10-02-01	-001
------------	-------------	------

L

LANDING GEAR DOORS .....	52-80-00-01	-
LANDING GEAR POSITION AND WARNING SYSTEM .....	32-60-00-01	-
LANYARD ASSY .....	25-20-02-01	-007
LATCH ASSY .....	52-10-00-01	-075
LEADING EDGE ASSY-LH .....	57-40-00-01	-015
LEADING EDGE ASSY-RH .....	57-40-00-01	-016
LED PANEL-GLARESHIELD .....	33-10-00-01	-084
LEVER .....	52-10-00-01	-087
LEVER .....	52-30-00-02	-104
LEVER ASSY .....	76-10-01-02	-096

CESSNA®  
**MODEL 525 (SERIALS -0685 AND -0800 AND ON)**  
 ILLUSTRATED PARTS CATALOG

NOMENCLATURE	CH	SEC	SUBJ	FIG	ITEM
--------------	----	-----	------	-----	------

L Continued

LEVER BASE ASSY .....	76-10-01-02	-097
LIFEVEST .....	25-60-01-01	-001
LIGHT - EMITTING DIODE PANELS .....	33-10-00-01	-
LIGHT DIMMER-UB001 .....	33-10-00-03	-001
LIGHTED SIGNS - CABIN .....	33-20-00-02	-
LIGHTING - ESCAPE HATCH OVERWING .....	33-50-00-02	-
LIGHTING - INSPECTION AND RECOGNITION .....	33-40-00-04	-
LIGHTING - LANDING .....	33-40-00-01	-
LIGHTING - NAVIGATION AND TAIL .....	33-40-00-02	-
LIGHTING - NOSE BAGGAGE COMPARTMENT .....	33-30-00-01	-
LIGHTING - PASSENGER COMPARTMENT OVERHEAD .....	33-20-00-01	-
LIGHTING - TAILCONE COMPARTMENT .....	33-30-00-02	-
LIGHTING DISTRIBUTION PANEL .....	33-00-00-01	-
LIGHTING SYSTEM - EMERGENCY .....	33-50-00-01	-
LINE ASSY .....	28-10-00-01	-001
LINE ASSY-LH .....	28-10-00-01	-002
LINE ASSY-RH .....	28-10-00-01	-003
LINE ASSY .....	28-10-00-01	-013
LINE ASSY .....	28-10-00-01	-014
LINE ASSY .....	28-10-00-01	-015
LINE ASSY .....	28-10-00-01	-017
LINE ASSY .....	28-10-00-01	-018
LINE ASSY-LH .....	28-10-00-01	-019
LINE ASSY-RH .....	28-10-00-01	-020
LINE ASSY TO PRESSURE BULKHEAD .....	32-30-02-01	-058
LINK-LH .....	27-10-00-01	-009
LINK-RH .....	27-10-00-01	-017
LINK ASSY-UPR FWD .....	52-10-01-01	-017
LINK ASSY-UPR AFT .....	52-10-01-01	-018
LINK ASSY-MID .....	52-10-01-01	-043
LINK ASSY-LATCH LOWER FWD AND AFT .....	52-10-01-01	-150
LINKAGE-LH .....	25-20-05-01	-188
LINKAGE-RH .....	25-20-05-01	-189
LOCATING HUB-RUDDER PEDAL LOCATOR .....	27-20-01-01	-013
LOCATING HUB-RH RUDDER PEDAL LOCATOR .....	27-20-01-01	-041
LONGERON-LH .....	56-10-01-02	-005
LONGERON-RH .....	56-10-01-02	-006
LOUDSPEAKER .....	23-30-00-01	-005
LOUVER .....	21-50-02-01	-024
LOUVER .....	21-50-02-01	-076
LOWBOY CABINET ASSY-RH VENEER .....	25-30-00-03	-075
LOWBOY CABINET ASSY-RH PAINT .....	25-30-00-03	-076
LOWBOY CABINET ASSY-RH CARBON FIBER .....	25-30-00-03	-077
LUG .....	52-10-00-01	-103
LUG-ASSIST CHAIN .....	52-10-00-01	-107
LUXEMBOURG EXTERIOR PLACARDS AND MARKINGS - AFT BAGGAGE .....	11-LX-23-02	-
LUXEMBOURG EXTERIOR PLACARDS AND MARKINGS - CABIN DOOR .....	11-LX-28-01	-
LUXEMBOURG EXTERIOR PLACARDS AND MARKINGS - ESCAPE HATCH .....	11-LX-28-02	-
LUXEMBOURG EXTERIOR PLACARDS AND MARKINGS - FUSELAGE .....	11-LX-22-02	-
LUXEMBOURG EXTERIOR PLACARDS AND MARKINGS - NOSE BAGGAGE .....	11-LX-23-01	-
LUXEMBOURG INTERIOR PLACARDS AND MARKINGS - AFT CABIN .....	11-LX-32-02	-
LUXEMBOURG INTERIOR PLACARDS AND MARKINGS - CABIN DOOR .....	11-LX-38-01	-
LUXEMBOURG INTERIOR PLACARDS AND MARKINGS - CABIN SEATS .....	11-LX-32-04	-
LUXEMBOURG INTERIOR PLACARDS AND MARKINGS - DIVIDERS .....	11-LX-33-02	-
LUXEMBOURG INTERIOR PLACARDS AND MARKINGS - ESCAPE HATCH .....	11-LX-38-02	-
LUXEMBOURG INTERIOR PLACARDS AND MARKINGS - FLIGHT COMPARTMENT .....	11-LX-31-05	-
LUXEMBOURG INTERIOR PLACARDS AND MARKINGS - FORWARD CABIN .....	11-LX-32-01	-
LUXEMBOURG INTERIOR PLACARDS AND MARKINGS - LAVATORY .....	11-LX-33-01	-
LUXEMBOURG INTERIOR PLACARDS AND MARKINGS - LH CONSOLE .....	11-LX-31-04	-

CESSNA®  
**MODEL 525 (SERIALS -0685 AND -0800 AND ON)**  
 ILLUSTRATED PARTS CATALOG

NOMENCLATURE	CH	SEC	SUBJ	FIG	ITEM
--------------	----	-----	------	-----	------

**M**

M2 O2 BOTTLE INSTALLATION	35-30-00-02	-
MAIN GEAR DOOR EXTENSION AND RETRACTION SYSTEM	32-30-01-01	-
MAIN LANDING GEAR (MLG)	32-10-00-01	-
MAIN LANDING GEAR (MLG) ATTACH FITTINGS	57-20-01-02	-
MAIN LANDING GEAR (MLG) WHEEL FAIRING INSTALLATION	57-20-02-01	-
MAIN SPAR CAP-UPPER	57-10-00-01	-150
MAIN SPAR CAP-LOWER	57-10-00-01	-163
MANIFOLD ASSY	27-50-01-01	-009
MANIFOLD ASSY-HYDRAULIC	29-10-00-02	-075
MANIFOLD ASSY-LH	30-40-00-01	-187
MANIFOLD ASSY-LH AIR	30-40-00-01	-190
MANIFOLD ASSY-RH AIR	30-40-00-01	-191
MANIFOLD ASSY-	32-30-02-01	-001
MANIFOLD ASSY-LH	36-10-00-01	-081
MANIFOLD ASSY-RH	36-10-00-01	-082
MAP CASE - FLIGHT COMPARTMENT	25-10-00-03	-
MARKER BEACON SYSTEM	34-30-10-01	-
MASK ASSY-PASSENGER	35-20-00-01	-014
MASTER WARNING SYSTEM	31-50-00-01	-
MEDIA SHARE PORT	44-20-00-01	-005
MICROPHONE-CVR UI502	23-70-00-01	-001
MICROPHONE ASSY	23-50-00-01	-014
MLG TRUNNION ASSY-LH	32-10-00-01	-001
MLG TRUNNION ASSY-LH USED WITH WHITE LANDING GEAR	32-10-00-01	-001D
MLG TRUNNION ASSY-LH USED WITH WHITE LANDING GEAR	32-10-00-01	-001E
MLG TRUNNION ASSY-RH	32-10-00-01	-002
MLG TRUNNION ASSY-RH	32-10-00-01	-002A
MLG TRUNNION ASSY-RH USED WITH WHITE LANDING GEAR	32-10-00-01	-002D
MLG TRUNNION ASSY-RH USED WITH WHITE LANDING GEAR	32-10-00-01	-002E
MODULATING VALVE-LH	36-10-00-01	-045
MOTIVE FLOW ANGLE	28-20-00-02	-038
MOTOR AND BLOWER ASSY-WINDSHIELD AIR	21-22-00-01	-002
MOTOR ASSY-HYDRAULIC PUMP	32-41-00-03	-157
MOUNT ISOLATOR-FWD	71-20-00-01	-001
MOUNT ISOLATORS-ENGINE-LH AND RH AFT	54-10-00-01	-036
MUFFLER ASSY-PRESSURIZATION INLET	21-20-01-01	-022
MULTIFUNCTION FLIGHT DISPLAY-CENTER GDU-1400 UI426	34-61-00-01	-003

**N**

NACELLE COWL ASSY-LH AFT	71-10-00-01	-150A
NACELLE COWL ASSY-RH AFT	71-10-00-01	-151A
NACELLE COWL DOOR ASSY-LH UPPER	71-10-00-01	-001
NACELLE COWL DOOR ASSY-LH UPPER	71-10-00-01	-001A
NACELLE COWL DOOR ASSY-RH UPPER	71-10-00-01	-002
NACELLE COWL DOOR ASSY-RH UPPER	71-10-00-01	-002A
NACELLE COWL DOOR ASSY-LH LOWER	71-10-00-01	-024
NACELLE COWL DOOR ASSY-LH LOWER	71-10-00-01	-024A
NACELLE COWL DOOR ASSY-RH LOWER	71-10-00-01	-025
NACELLE COWL DOOR ASSY-RH LOWER	71-10-00-01	-025A
NACELLE INLET ASSY-LH AND RH ENGINE	71-60-00-01	-001
NAMEPLATE-AIRCRAFT IDENTIFICATION	11-N-22-04	-003
NAVIGATION CHART CASE-LH	25-10-00-03	-001
NOSE BAGGAGE COMPARTMENT DIVIDERS - USED WITH DROPPED FLOOR	53-11-00-02A	-
NOSE BAGGAGE COMPARTMENT FLOOR	53-11-00-01	-
NOSE BAGGAGE COMPARTMENT FLOOR - USED WITH DROPPED FLOOR	53-11-00-01A	-
NOSE BAGGAGE DOOR	52-30-00-01	-
NOSE BALLAST INSTALLATION	53-10-01-01	-

CESSNA®  
**MODEL 525 (SERIALS -0685 AND -0800 AND ON)**  
 ILLUSTRATED PARTS CATALOG

NOMENCLATURE	CH	SEC	SUBJ	FIG	ITEM
--------------	----	-----	------	-----	------

**N** Continued

NOSE GEAR ASSY FSO 6342000-46 .....	32-20-00-01	-001
NOSE GEAR DOOR EXTENSION AND RETRACTION SYSTEM .....	32-30-01-02	-
NOSE GEAR HYDRAULIC SYSTEM - CABIN SECTION .....	32-30-01-03	-
NOSE GEAR HYDRAULIC SYSTEM - NOSE SECTION .....	32-30-01-04	-
NOSE LANDING GEAR (NLG) .....	32-20-00-01	-
NOSE LANDING GEAR (NLG) ACTUATOR SUPPORT STRUCTURE INSTALLATION .....	53-10-00-04	-
NOSE STRINGER INSTALLATION .....	53-10-00-03	-
NOSE STRUCTURE INSTALLATION .....	53-10-00-02	-
NOSE WHEEL STEERING SYSTEM .....	32-50-00-01	-
NOSE WHEELWELL INSTALLATION .....	53-10-00-01	-
NOSECAP .....	71-60-00-01	-006

**O**

O-RING .....	21-50-00-01	-030
O-RING-CROSS-FEED VALVE .....	28-20-00-01	-095
O2 BOT 7.15 CF 3PORT .....	35-30-00-02	-007
OBSERVER'S PLATFORM INSTALLATION .....	53-21-00-05	-
OIL INDICATING SYSTEM .....	79-30-00-01	-
OUTBOARD WING RIB INSTALLATION .....	57-20-03-01	-
OUTBOARD WING SPAR ASSEMBLY .....	57-20-03-02	-
OUTFLOW VALVE .....	21-30-00-01	-009
OUTLET .....	35-10-00-01	-006
OUTLET BRACKET ASSY-RH .....	25-10-02-02	-166
OUTLET BRACKET ASSY-RH .....	25-10-02-02	-167
OVERHEAD AIR DISTRIBUTION SYSTEM .....	21-21-00-01	-
OVERHEAD AIR DISTRIBUTION SYSTEM DUCTING .....	21-21-01-01	-
OVERHEAD LIGHTING - FLIGHT COMPARTMENT .....	33-10-01-01	-
OVERHEAD UPHOLSTERY AND TRIM - FLIGHT COMPARTMENT .....	25-10-02-03	-
OVERTEMP SWITCH .....	36-10-00-01	-079
OXYGEN BOX-DUAL .....	35-20-00-01	-010
OXYGEN CYLINDER ASSY-50 CUBIC FOOT .....	35-00-00-01	-001
OXYGEN MASK INSTALLATION .....	35-10-02-02	-
OXYGEN SYSTEM .....	35-00-00-01	-
OXYGEN SYSTEM - CREW .....	35-10-00-01	-
OXYGEN SYSTEM - PASSENGER .....	35-20-00-01	-

**P**

PA AMPLIFIER UF547 .....	23-50-00-02	-001
PA AMPLIFIER INSTALLATION .....	23-50-00-02	-
PACKING .....	21-50-00-01	-032
PANEL-RH .....	21-50-02-01	-020
PANEL-LH .....	21-50-02-01	-077
PANEL-LH .....	21-50-02-01	-078
PANEL ACCESS DOOR .....	57-10-01-02	-011
PANEL ASSY-LH .....	53-10-00-01	-001
PANEL ASSY-RH .....	53-10-00-01	-002
PANEL ASSY-TOP .....	53-10-00-01	-075
PANEL ASSY-LH FWD WALL .....	53-30-00-01	-001
PANEL ASSY-LH .....	57-10-01-02	-005
PANEL ASSY-RH .....	57-10-01-02	-006
PARTITION GUIDE-LH UPPER .....	25-21-01-02	-016
PARTITION GUIDE-RH UPPER .....	25-21-01-02	-017
PARTITION GUIDE-LH LOWER .....	25-21-01-02	-019
PARTITION GUIDE-RH LOWER .....	25-21-01-02	-020
PASSENGER SEAT .....	25-20-05-01	-

CESSNA®  
**MODEL 525 (SERIALS -0685 AND -0800 AND ON)**  
 ILLUSTRATED PARTS CATALOG

NOMENCLATURE	CH SEC SUBJ FIG	ITEM
<b>P Continued</b>		
PASSENGER SEAT-MOD .....	25-20-05-01	-453
PCB ASSY-FUEL FLOW TRANSMITTER AND SIGNAL CONDITIONER NZ127 .....	24-50-00-01	-014
PHILIPPINE EXTERIOR PLACARDS AND MARKINGS - AFT BAGGAGE .....	11-RP-23-02	-
PHILIPPINE EXTERIOR PLACARDS AND MARKINGS - CABIN DOOR .....	11-RP-28-01	-
PHILIPPINE EXTERIOR PLACARDS AND MARKINGS - ESCAPE HATCH .....	11-RP-28-02	-
PHILIPPINE EXTERIOR PLACARDS AND MARKINGS - FUSELAGE .....	11-RP-22-02	-
PHILIPPINE EXTERIOR PLACARDS AND MARKINGS - NOSE BAGGAGE .....	11-RP-23-01	-
PHILIPPINE INTERIOR PLACARDS AND MARKINGS - AFT CABIN .....	11-RP-32-02	-
PHILIPPINE INTERIOR PLACARDS AND MARKINGS - CABIN DOOR .....	11-RP-38-01	-
PHILIPPINE INTERIOR PLACARDS AND MARKINGS - CABIN SEATS .....	11-RP-32-04	-
PHILIPPINE INTERIOR PLACARDS AND MARKINGS - DIVIDERS .....	11-RP-33-02	-
PHILIPPINE INTERIOR PLACARDS AND MARKINGS - ESCAPE HATCH .....	11-RP-38-02	-
PHILIPPINE INTERIOR PLACARDS AND MARKINGS - FLIGHT COMPARTMENT .....	11-RP-31-05	-
PHILIPPINE INTERIOR PLACARDS AND MARKINGS - FORWARD CABIN .....	11-RP-32-01	-
PHILIPPINE INTERIOR PLACARDS AND MARKINGS - LAVATORY .....	11-RP-33-01	-
PHILIPPINE INTERIOR PLACARDS AND MARKINGS - LH CONSOLE .....	11-RP-31-04	-
PHONE HANDSET .....	23-10-02-02	-005
PHONE RINGER .....	23-10-02-02	-002
PIN ASSY .....	52-20-00-01	-017
PITOT STATIC ANTI-ICE SYSTEM .....	30-30-00-01	-
PITOT SYSTEM .....	34-11-00-01	-
PIVOT BEARING ASSY .....	27-30-01-01	-189
PIVOT BRACKET-DIVERTER DOOR .....	21-20-01-02	-011
PIVOT FITTING ASSY .....	55-30-01-01	-015
PIVOT TUBE ASSY-DIVERTER DOOR .....	21-20-01-02	-005
PIVOT TUBE ASSY .....	21-50-02-01	-099
PLACARD-NOSE BAGGAGE WEIGHT .....	11-C-23-01	-001
PLACARD-TRASH CONTAINER W/LINER .....	11-CR-32-01	-001
PLACARD-SIDE FACING SEAT INSTRUCTIONS W/O ARMREST .....	11-CR-32-01	-075
PLACARD-PASSENGER SEAT INSTRUCTIONS .....	11-CR-32-04	-001
PLACARD-TOILET INSTRUCTIONS (DOOR) .....	11-CR-33-01	-075
PLACARD-AFT CABIN INSTRUCTIONS (DOOR) .....	11-CR-33-02	-001
PLACARD-NOSE BAGGAGE WEIGHT .....	11-D-23-01	-001
PLACARD-CABINET INSTRUCTIONS .....	11-F-32-01	-001
PLACARD-TRASH CONTAINER W/LINER .....	11-F-32-01	-002
PLACARD-TABLE LID INSTRUCTIONS .....	11-F-32-01	-075
PLACARD-SFS W/O ARMREST .....	11-F-32-01	-150
PLACARD-AFT CABIN INSTRUCTIONS (DOOR) .....	11-F-33-02	-001
PLACARD-AFT CABIN INSTRUCTIONS (CURTAIN) .....	11-F-33-02	-002
PLACARD-ESCAPE HATCH HANDLE INSTRUCTIONS .....	11-F-38-02	-001
PLACARD-NOSE BAGGAGE WEIGHT .....	11-G-23-01	-001
PLACARD-NOSE BAGGAGE WEIGHT .....	11-HB-23-01	-001
PLACARD-LH BELTED TOILET (DOOR) .....	11-I-33-01	-075
PLACARD-NOSE BAGGAGE WEIGHT .....	11-LX-23-01	-001
PLACARD-NOSE BAGGAGE WEIGHT .....	11-M-23-01	-001
PLACARD-AUXILIARY J-BOX .....	11-N-22-01	-075
PLACARD-FIRE BOTTLE TEMPERATURE .....	11-N-22-04	-002
PLACARD-FIRE BOTTLE TEMPERATURE .....	11-N-22-04	-002A
PLACARD-RADIO CALL .....	11-N-31-01	-001
PLACARD-NOSE BAGGAGE WEIGHT .....	11-OK-23-01	-001
PLACARD-NOSE BAGGAGE WEIGHT .....	11-OY-23-01	-001
PLACARD-NOSE BAGGAGE WEIGHT .....	11-RP-23-01	-001
PLACARD-NOSE BAGGAGE WEIGHT .....	11-T7-23-01	-001
PLACARD-NOSE BAGGAGE WEIGHT .....	11-VH-23-01	-001
PLACARD-TIRE PRESSURE .....	32-10-00-01	-018
PLACARD-NOSE GEAR FILLING .....	32-20-00-01	-024
PLATE .....	30-40-00-01	-002
PLATE .....	52-30-00-01	-080
PLATE ASSY-INNER HANDLE .....	52-10-01-02	-003
PLATFORM ASSY .....	53-21-00-05	-018

CESSNA®  
**MODEL 525 (SERIALS -0685 AND -0800 AND ON)**  
 ILLUSTRATED PARTS CATALOG

NOMENCLATURE	CH SEC SUBJ FIG	ITEM
<b>P</b> Continued		
PLATFORM MOUNT-RH .....	53-21-00-05	-017
PLATFORM MOUNT-LH .....	53-21-00-05	-020
PLENUM-RAM AIR INLET .....	21-20-00-01	-011
PLENUM-RAM AIR INLET ALT FOR 6314350-7 .....	21-20-00-01	-012
PLENUM COVER ASSY. ....	21-50-01-02	-010
PLUG BUTTON .....	55-20-00-01	-075
PLUG/BLEEDER .....	30-40-00-03	-046
PNEUMATIC SYSTEM-BLEED AIR .....	30-10-00-01	-019
PNEUMATIC SYSTEM-BLEED AIR .....	30-10-00-01	-097
PNEUMATIC SYSTEM - BLEED AIR .....	36-10-00-01	-
PNEUMATIC SYSTEM - DOOR SEAL .....	36-10-00-03	-
PNEUMATIC SYSTEM-BLEED AIR- .....	30-20-00-01	-002
POCKET DOOR ASSEMBLY .....	25-21-01-02	-
POCKET DOOR ASSY-LH AFT .....	25-21-01-02	-001
POCKET DOOR ASSY-LH AFT .....	25-21-01-02	-001A
POCKET DOOR ASSY-LH AFT WITH ACCENT .....	25-21-01-02	-002
POCKET DOOR ASSY-LH AFT WITH ACCENT .....	25-21-01-02	-002A
POCKET DOOR ASSY-RH AFT .....	25-21-01-02	-003
POCKET DOOR ASSY-RH AFT WITH ACCENT .....	25-21-01-02	-004
POINTER ASSY-TRIM INDICATOR .....	27-30-02-01	-002
POLISH EXTERIOR PLACARDS AND MARKINGS - AFT BAGGAGE .....	11-SP-23-02	-
POLISH EXTERIOR PLACARDS AND MARKINGS - CABIN DOOR .....	11-SP-28-01	-
POLISH EXTERIOR PLACARDS AND MARKINGS - ESCAPE HATCH .....	11-SP-28-02	-
POLISH EXTERIOR PLACARDS AND MARKINGS - FUSELAGE .....	11-SP-22-02	-
POLISH EXTERIOR PLACARDS AND MARKINGS - NOSE BAGGAGE .....	11-SP-23-01	-
POLISH INTERIOR PLACARDS AND MARKINGS - AFT CABIN .....	11-SP-32-02	-
POLISH INTERIOR PLACARDS AND MARKINGS - CABIN DOOR .....	11-SP-38-01	-
POLISH INTERIOR PLACARDS AND MARKINGS - CABIN SEATS .....	11-SP-32-04	-
POLISH INTERIOR PLACARDS AND MARKINGS - DIVIDERS .....	11-SP-33-02	-
POLISH INTERIOR PLACARDS AND MARKINGS - ESCAPE HATCH .....	11-SP-38-02	-
POLISH INTERIOR PLACARDS AND MARKINGS - FLIGHT COMPARTMENT .....	11-SP-31-05	-
POLISH INTERIOR PLACARDS AND MARKINGS - FORWARD CABIN .....	11-SP-32-01	-
POLISH INTERIOR PLACARDS AND MARKINGS - LAVATORY .....	11-SP-33-01	-
POLISH INTERIOR PLACARDS AND MARKINGS - LH CONSOLE .....	11-SP-31-04	-
POP-DOWN ASSY-LH .....	25-21-01-02	-077
POP-DOWN ASSY-RH .....	25-21-01-02	-078
POP-UP ASSY-LH .....	25-21-01-02	-075
POP-UP ASSY-RH .....	25-21-01-02	-076
POPPET .....	32-30-02-01	-035
PORT .....	21-30-00-01	-007
PORTUGUESE EXTERIOR PLACARDS AND MARKINGS - AFT BAGGAGE .....	11-CR-23-02	-
PORTUGUESE EXTERIOR PLACARDS AND MARKINGS - CABIN DOOR .....	11-CR-28-01	-
PORTUGUESE EXTERIOR PLACARDS AND MARKINGS - ESCAPE HATCH .....	11-CR-28-02	-
PORTUGUESE EXTERIOR PLACARDS AND MARKINGS - FUSELAGE .....	11-CR-22-02	-
PORTUGUESE EXTERIOR PLACARDS AND MARKINGS - NOSE BAGGAGE .....	11-CR-23-01	-
PORTUGUESE INTERIOR PLACARDS AND MARKINGS - AFT CABIN .....	11-CR-32-02	-
PORTUGUESE INTERIOR PLACARDS AND MARKINGS - CABIN DOOR .....	11-CR-38-01	-
PORTUGUESE INTERIOR PLACARDS AND MARKINGS - CABIN SEATS .....	11-CR-32-04	-
PORTUGUESE INTERIOR PLACARDS AND MARKINGS - DIVIDERS .....	11-CR-33-02	-
PORTUGUESE INTERIOR PLACARDS AND MARKINGS - ESCAPE HATCH .....	11-CR-38-02	-
PORTUGUESE INTERIOR PLACARDS AND MARKINGS - FLIGHT COMPARTMENT .....	11-CR-31-01	-
PORTUGUESE INTERIOR PLACARDS AND MARKINGS - FLIGHT COMPARTMENT .....	11-CR-31-05	-
PORTUGUESE INTERIOR PLACARDS AND MARKINGS - FORWARD CABIN .....	11-CR-32-01	-
PORTUGUESE INTERIOR PLACARDS AND MARKINGS - LAVATORY .....	11-CR-33-01	-
PORTUGUESE INTERIOR PLACARDS AND MARKINGS - LH CONSOLE .....	11-CR-31-04	-
POST ASSY-CTR .....	56-10-00-02	-012
POWER JUNCTION BOX ASSEMBLY .....	24-50-02-02	-
POWER JUNCTION BOX BUS BARS .....	24-50-02-05	-
POWER JUNCTION BOX CIRCUIT BREAKERS .....	24-50-02-04	-
POWER JUNCTION BOX INSTALLATION .....	24-50-02-01	-

CESSNA®  
**MODEL 525 (SERIALS -0685 AND -0800 AND ON)**  
 ILLUSTRATED PARTS CATALOG

NOMENCLATURE	CH SEC SUBJ FIG	ITEM
<b>P Continued</b>		
POWER JUNCTION BOX STRUCTURE .....	24-50-02-03	-
POWER PACK ASSY-HYDRAULIC .....	32-41-00-03	-150
POWER PLANT.....	71-00-00-01	-
POWER PLANT COWLING .....	71-10-00-01	-
POWER PLANT DRAIN LINES .....	71-70-00-01	-
POWER PLANT WIRE HARNESS .....	71-50-00-01	-
PRECOOLER ASSY.....	36-10-00-01	-014
PRESSURE REGULATOR SHUTOFF VALVE-LH VD002 AND RH VE002.....	30-20-00-01	-016
PRESSURE REGULATOR VALVE-SHUTOFF .....	30-10-00-01	-001
PRESSURE SWITCH .....	29-10-00-02	-107
PRESSURE SWITCH-PNEUMATIC DE-ICE ST014 AND ST030.....	30-10-00-01	-113
PRESSURE SWITCH-WINDSHIELD ANTI-ICE ST016 .....	30-40-00-03	-090
PRESSURE SWITCH .....	32-41-00-03	-017
PRESSURE TRANSDUCER-ENGINE OIL .....	79-30-00-01	-005
PRESSURIZATION COMPRESSION SYSTEM .....	21-10-00-01	-
PRIMARY FLIGHT DISPLAY-LH GDU-1400 UI425 .....	34-61-00-01	-001
PRIMARY FLIGHT DISPLAY-RH GDU-1400 UI427 .....	34-61-00-01	-002
PRIMARY FLIGHT DISPLAY CONTROLLER-LH GCU 275 UI431.....	34-61-00-01	-004
PRIMARY FLIGHT DISPLAY CONTROLLER-RH GCU 275 UI430 .....	34-61-00-01	-005
PRINTED CIRCUIT BOARD ASSEMBLY .....	24-50-03-02	-
PRINTED CIRCUIT BOARD ENCLOSURE INSTALLATION .....	24-50-03-01	-
PROBE TRANSMITTER-FUEL QUANTITY UL012 AND UR012 .....	28-40-00-01	-005
PROBE-FUEL UL005 AND UR005 .....	28-40-00-01	-016
PROBE-FUEL UL004 AND UR004 .....	28-40-00-01	-017
PROBE-FUEL UL003 AND UR003 .....	28-40-00-01	-018
PROBE-FUEL UL002 AND UR002 .....	28-40-00-01	-019
PROBE-FUEL UL001 AND UR001 .....	28-40-00-01	-020
PROBE TUBE ASSY.....	30-10-00-01	-030
PROTECTIVE BREATHING EQUIPMENT (PBE) .....	35-30-00-01	-
PULLEY .....	27-10-00-01	-047
PULLEY .....	27-10-00-03	-022
PULLEY .....	27-10-00-04	-019
PULLEY .....	27-10-00-04	-033
PULLEY-LOW FRICTION.....	27-30-02-02	-083
PULLEY-LOW FRICTION.....	27-30-02-02	-093
PULLEY .....	32-50-00-01	-044
PULLEY BRACKET LH.....	27-10-00-03	-027
PULLEY BRACKET RH .....	27-10-00-03	-028
PULLEY BRACKET-LH.....	27-10-00-04	-001
PULLEY BRACKET-RH .....	27-10-00-04	-002
PULLEY BRACKET.....	27-20-02-01	-006
PULLEY BRACKET-LH.....	27-20-02-01	-075
PULLEY BRACKET-RH .....	27-20-02-01	-076
PULLEY BRACKET.....	27-30-02-02	-087
PULLEY BRACKET.....	32-30-00-03	-098
PULLEY BRACKET.....	32-30-00-03	-099
PULLEY BRACKET.....	32-30-00-03	-174
PULLEY BRACKET.....	32-30-00-03	-175
PULLEY BRACKET-LH.....	32-30-00-05	-016
PULLEY BRACKET-RH .....	32-30-00-05	-017
PULLEY BRACKET.....	32-50-00-01	-076
PUMP-FUEL TRANSFER.....	28-20-00-01	-052
PUMP-ENGINE DRIVEN HYDRAULIC .....	29-10-00-01	-001
PUMP ASSY FSO 6508092-4 .....	30-40-00-02	-007
PUMP ASSY FOR SPARES ONLY .....	30-40-00-02	-007A
PUSH/PULL TUBE ASSY.....	27-50-00-02	-104
PUSHBUTTON SWITCH .....	25-10-02-02	-163
PUSHROD ASSY-LH UPR.....	27-60-00-01	-001
PUSHROD ASSY-RH UPR .....	27-60-00-01	-002
PUSHROD ASSY-LWR.....	27-60-00-01	-003



CESSNA®  
**MODEL 525 (SERIALS -0685 AND -0800 AND ON)**  
 ILLUSTRATED PARTS CATALOG

NOMENCLATURE	CH	SEC	SUBJ	FIG	ITEM
--------------	----	-----	------	-----	------

**P** Continued

PUSHROD ASSY-LH AND RH .....	32-30-01-01	-001
PYLON ACCESS PANELS AND RAM AIR DUCT .....	54-50-00-02	-
PYLON ASSY-LH UPR .....	54-60-00-01	-001
PYLON ASSY-RH UPR .....	54-60-00-01	-002
PYLON ASSY-LH LWR .....	54-60-00-01	-003
PYLON ASSY-RH LWR .....	54-60-00-01	-004
PYLON FIREWALL ASSY-LH AFT .....	54-50-01-01	-001
PYLON SKINS .....	54-60-00-01	-
PYLON STRUCTURE INSTALLATION .....	54-50-00-01	-

**R**

RADAR WEB .....	25-70-00-01	-002
RADAR WEB ASSY .....	25-70-00-01	-001
RADAR WEB ASSY .....	25-70-00-01	-001A
RADIO ALTIMETER .....	34-40-00-01	-
RADIUS BLOCK .....	56-10-01-02	-004
RADOME INSTALLATION .....	53-12-00-01	-
RAIN DOOR HANDLE ASSY .....	30-40-00-01	-075
RAM AIR DUCT-LH .....	54-50-00-02	-026
RAM AIR DUCT-RH .....	54-50-00-02	-027
RAM AIR DUCT ASSY- .....	54-50-00-01	-001
RAM AIR DUCT ASSY-LH .....	54-50-00-02	-014
RAM AIR DUCT ASSY-RH .....	54-50-00-02	-015
RAM AIR INLET INSTALLATION .....	21-20-00-02	-
RAM AIR SYSTEM .....	21-20-00-01	-
READING LIGHT .....	33-20-00-01	-001
READING LIGHT .....	33-20-00-01	-002
REAR SPAR ASSY .....	55-10-00-01	-093
REAR SPAR CAP-UPPER .....	57-10-00-01	-236
REAR SPAR CAP-LOWER .....	57-10-00-01	-245
RECEIVER/TRANSMITTER .....	23-10-00-01	-001
RECEPTACLE-EXTERNAL POWER JT005 .....	24-40-00-01	-030
RECLINE LEVER ASSY .....	25-20-05-01	-309
RECORDER UNIT ASSY .....	31-30-01-01	-004
REDUCER .....	30-10-00-01	-109
REFRESHMENT CENTER OVERBOARD DRAIN .....	38-31-00-01	-
REFRESHMENT CENTER WITH HOT LIQUID TANK - LH FORWARD .....	25-30-00-01	-
REGULATOR ASSY-WINDSHIELD AIR FAN .....	21-21-00-02	-001
RELAY-DOOR OPEN KT505 .....	23-70-00-01	-032
RELAY-IN THE AIR KT501 .....	23-70-00-01	-033
RELAY BOX INSTALLATION .....	24-50-00-01	-
RELIEF VALVE .....	32-41-01-01	-008
RELIEF VENT VALVE .....	32-30-02-01	-023
REPUBLIC OF KOREA EXTERIOR PLACARDS AND MARKINGS - AFT BAGGAGE .....	11-HL-23-02	-
REPUBLIC OF KOREA EXTERIOR PLACARDS AND MARKINGS - CABIN DOOR .....	11-HL-28-01	-
REPUBLIC OF KOREA EXTERIOR PLACARDS AND MARKINGS - ESCAPE HATCH .....	11-HL-28-02	-
REPUBLIC OF KOREA EXTERIOR PLACARDS AND MARKINGS - FUSELAGE .....	11-HL-22-02	-
REPUBLIC OF KOREA EXTERIOR PLACARDS AND MARKINGS - NOSE BAGGAGE .....	11-HL-23-01	-
REPUBLIC OF KOREA INTERIOR PLACARDS AND MARKINGS - AFT CABIN .....	11-HL-32-02	-
REPUBLIC OF KOREA INTERIOR PLACARDS AND MARKINGS - CABIN DOOR .....	11-HL-38-01	-
REPUBLIC OF KOREA INTERIOR PLACARDS AND MARKINGS - CABIN SEATS .....	11-HL-32-04	-
REPUBLIC OF KOREA INTERIOR PLACARDS AND MARKINGS - DIVIDERS .....	11-HL-33-02	-
REPUBLIC OF KOREA INTERIOR PLACARDS AND MARKINGS - ESCAPE HATCH .....	11-HL-38-02	-
REPUBLIC OF KOREA INTERIOR PLACARDS AND MARKINGS - FLIGHT COMPARTMENT .....	11-HL-31-05	-
REPUBLIC OF KOREA INTERIOR PLACARDS AND MARKINGS - FORWARD CABIN .....	11-HL-32-01	-
REPUBLIC OF KOREA INTERIOR PLACARDS AND MARKINGS - LAVATORY .....	11-HL-33-01	-
REPUBLIC OF KOREA INTERIOR PLACARDS AND MARKINGS - LH CONSOLE .....	11-HL-31-04	-

CESSNA®  
**MODEL 525 (SERIALS -0685 AND -0800 AND ON)**  
 ILLUSTRATED PARTS CATALOG

NOMENCLATURE	CH	SEC	SUBJ	FIG	ITEM
--------------	----	-----	------	-----	------

**R** Continued

RESERVOIR ASSEMBLY - BRAKE FLUID	32-41-02-01	-
RESERVOIR ASSY	30-40-00-02	-001
RESERVOIR ASSY-BOTTLE AND VALVE EMERGENCY EXTENSION	32-30-02-01	-030
RESERVOIR ASSY-BRAKE	32-41-02-01	-001
RESERVOIR WELD ASSY	32-41-02-01	-005
RESTRAINT ASSY-LH	25-20-05-01	-407
RESTRAINT ASSY-RH	25-20-05-01	-408
RESTRICTOR ASSY-FLOW	27-50-01-01	-016
RESTRICTOR ASSY	32-30-01-04	-039
RESTRICTOR FITTING ASSY	36-10-00-03	-078
REVEALS AND TRIM - CABIN	25-20-02-02	-
RIB-LH AFT	54-50-00-01	-056
RIB-RH AFT	54-50-00-01	-057
RIB-TIP FSO 6334002-23	55-20-00-01	-053
RIB-NOSE	55-30-00-01	-014
RIB-CENTER	55-30-00-01	-015
RIB-REAR	55-30-00-01	-016
RIB-UPPER	55-30-01-01	-075
RIB-LOWER	55-30-01-01	-076
RIB-UPPER	55-30-01-01	-085
RIB-LOWER	55-30-01-01	-086
RIB ASSY-LH	57-40-00-01	-081
RIB ASSY-RH	57-40-00-01	-082
ROCKER ARM	52-10-01-01	-170
ROD END FSO AM5M5	32-50-00-01	-176
ROMANIAN EXTERIOR PLACARDS AND MARKINGS - AFT BAGGAGE	11-YR-23-02	-
ROMANIAN EXTERIOR PLACARDS AND MARKINGS - CABIN DOOR	11-YR-28-01	-
ROMANIAN EXTERIOR PLACARDS AND MARKINGS - ESCAPE HATCH	11-YR-28-02	-
ROMANIAN EXTERIOR PLACARDS AND MARKINGS - FUSELAGE	11-YR-22-02	-
ROMANIAN EXTERIOR PLACARDS AND MARKINGS - NOSE BAGGAGE	11-YR-23-01	-
ROMANIAN INTERIOR PLACARDS AND MARKINGS - AFT CABIN	11-YR-32-02	-
ROMANIAN INTERIOR PLACARDS AND MARKINGS - CABIN DOOR	11-YR-38-01	-
ROMANIAN INTERIOR PLACARDS AND MARKINGS - CABIN SEATS	11-YR-32-04	-
ROMANIAN INTERIOR PLACARDS AND MARKINGS - DIVIDERS	11-YR-33-02	-
ROMANIAN INTERIOR PLACARDS AND MARKINGS - ESCAPE HATCH	11-YR-38-02	-
ROMANIAN INTERIOR PLACARDS AND MARKINGS - FLIGHT COMPARTMENT	11-YR-31-05	-
ROMANIAN INTERIOR PLACARDS AND MARKINGS - FORWARD CABIN	11-YR-32-01	-
ROMANIAN INTERIOR PLACARDS AND MARKINGS - LAVATORY	11-YR-33-01	-
ROMANIAN INTERIOR PLACARDS AND MARKINGS - LH CONSOLE	11-YR-31-04	-
ROTARY LATCH ASSY	53-12-00-01	-001
RUB STRIP ASSY	52-80-00-01	-094
RUDDER ASSY FSO 6333300-7	55-40-00-01	-010
RUDDER CONTROL SYSTEM - CABLES	27-20-00-01	-
RUDDER CONTROL SYSTEM - PULLEYS AND BRACKETS	27-20-00-02	-
RUDDER INSTALLATION	55-40-00-01	-
RUDDER PEDAL	27-20-01-01	-001
RUDDER PEDALS	27-20-01-01	-
RUDDER TRIM CONTROL SYSTEM	27-20-02-01	-
RUDDER TRIM TAB ASSY	55-40-00-01	-075
RUDDER TRIM WHEEL ASSEMBLY	27-20-02-02	-
RVDT POSITION SENSOR	76-10-01-02	-030

**S**

SAMMARINESE EXTERIOR PLACARDS AND MARKINGS - AFT BAGGAGE	11-T7-23-02	-
SAMMARINESE EXTERIOR PLACARDS AND MARKINGS - CABIN DOOR	11-T7-28-01	-
SAMMARINESE EXTERIOR PLACARDS AND MARKINGS - ESCAPE HATCH	11-T7-28-02	-
SAMMARINESE EXTERIOR PLACARDS AND MARKINGS - FUSELAGE	11-T7-22-02	-

CESSNA®  
**MODEL 525 (SERIALS -0685 AND -0800 AND ON)**  
 ILLUSTRATED PARTS CATALOG

NOMENCLATURE	CH SEC SUBJ FIG	ITEM
<b>S Continued</b>		
SAMMARINESE EXTERIOR PLACARDS AND MARKINGS - NOSE BAGGAGE .....	11-T7-23-01	-
SAMMARINESE INTERIOR PLACARDS AND MARKINGS - AFT CABIN .....	11-T7-32-02	-
SAMMARINESE INTERIOR PLACARDS AND MARKINGS - CABIN DOOR .....	11-T7-38-01	-
SAMMARINESE INTERIOR PLACARDS AND MARKINGS - CABIN SEATS .....	11-T7-32-04	-
SAMMARINESE INTERIOR PLACARDS AND MARKINGS - DIVIDERS .....	11-T7-33-02	-
SAMMARINESE INTERIOR PLACARDS AND MARKINGS - ESCAPE HATCH .....	11-T7-38-02	-
SAMMARINESE INTERIOR PLACARDS AND MARKINGS - FLIGHT COMPARTMENT .....	11-T7-31-05	-
SAMMARINESE INTERIOR PLACARDS AND MARKINGS - FORWARD CABIN .....	11-T7-32-01	-
SAMMARINESE INTERIOR PLACARDS AND MARKINGS - LAVATORY .....	11-T7-33-01	-
SAMMARINESE INTERIOR PLACARDS AND MARKINGS - LH CONSOLE .....	11-T7-31-04	-
SCOOP ASSY .....	21-20-00-02	-005
SCREWDRIVER .....	25-20-00-01	-008
SEAL .....	30-40-00-01	-003
SEAL-CONTROL CABLE ENDS .....	30-40-00-01	-018
SEAL .....	32-30-00-06	-008
SEAL .....	32-30-00-06	-037
SEAL-DOOR INFLATABLE .....	52-10-00-01	-007
SEAL-DOOR SECONDARY .....	52-10-00-02	-003
SEAL .....	52-30-00-01	-006
SEAL-DOOR .....	52-30-00-02	-011
SEAL .....	53-23-00-01	-001
SEAL CUP-UPR .....	52-30-00-02	-014
SEAL CUP-LWR .....	52-30-00-02	-015
SEAT ATTACH FITTING-OUTBOARD .....	25-20-05-01	-001
SEAT ATTACH FITTING-INBOARD .....	25-20-05-01	-005
SEAT BASE ASSY .....	25-20-05-01	-225
SEAT BASE CUSHION ASSY .....	25-20-05-01	-335
SEAT CUSHION ASSY .....	25-26-00-01	-002
SEAT STRUCTURE ASSY-LH FSO 4711939-11 .....	25-20-05-01	-009
SEAT STRUCTURE ASSY-RH FSO 4711939-12 .....	25-20-05-01	-010
SEAT STRUCTURE ASSY-LH SEAT 4 FSO 4711939-7 .....	25-20-05-01	-011
SECTOR ASSY-LH AILERON .....	27-10-00-02	-001
SECTOR ASSY-RH AILERON .....	27-10-00-02	-002
SECTOR ASSY-AFT .....	27-30-00-02	-001
SECTOR ASSY-FWD .....	27-30-01-01	-159
SECTOR ASSY .....	76-10-01-02	-075
SENSOR-UC041 .....	30-30-00-01	-008
SENSOR-UC040 .....	30-30-00-01	-009
SENSOR-TEMPERATURE .....	30-40-00-03	-049
SENSOR-TEMPERATURE .....	36-10-00-01	-164
SERBIAN EXTERIOR PLACARDS AND MARKINGS - AFT BAGGAGE .....	11-RS-23-02	-
SERBIAN EXTERIOR PLACARDS AND MARKINGS - CABIN DOOR .....	11-RS-28-01	-
SERBIAN EXTERIOR PLACARDS AND MARKINGS - ESCAPE HATCH .....	11-RS-28-02	-
SERBIAN EXTERIOR PLACARDS AND MARKINGS - FUSELAGE .....	11-RS-22-01	-
SERBIAN EXTERIOR PLACARDS AND MARKINGS - NOSE BAGGAGE .....	11-RS-23-01	-
SERBIAN INTERIOR PLACARDS AND MARKINGS - AFT CABIN .....	11-RS-32-02	-
SERBIAN INTERIOR PLACARDS AND MARKINGS - CABIN DOOR .....	11-RS-38-01	-
SERBIAN INTERIOR PLACARDS AND MARKINGS - CABIN DOOR .....	11-RS-38-02	-
SERBIAN INTERIOR PLACARDS AND MARKINGS - CABIN SEATS .....	11-RS-32-03	-
SERBIAN INTERIOR PLACARDS AND MARKINGS - DIVIDERS .....	11-RS-33-02	-
SERBIAN INTERIOR PLACARDS AND MARKINGS - ESCAPE HATCH .....	11-RS-38-03	-
SERBIAN INTERIOR PLACARDS AND MARKINGS - FLIGHT COMPARTMENT .....	11-RS-31-02	-
SERBIAN INTERIOR PLACARDS AND MARKINGS - FORWARD CABIN .....	11-RS-32-01	-
SERBIAN INTERIOR PLACARDS AND MARKINGS - LAVATORY .....	11-RS-33-01	-
SERBIAN INTERIOR PLACARDS AND MARKINGS - LH CONSOLE .....	11-RS-31-01	-
SERVO-ELEVATOR AUTOPILOT .....	22-10-00-01	-022
SERVO MOUNT-AILERON .....	22-10-00-01	-003
SERVO MOUNT-ELEVATOR .....	22-10-00-01	-023
SERVO MOUNT-RUDDER SERVO .....	22-10-00-01	-081
SHAFT .....	27-30-01-01	-016

CESSNA®  
**MODEL 525 (SERIALS -0685 AND -0800 AND ON)**  
 ILLUSTRATED PARTS CATALOG

NOMENCLATURE	CH SEC SUBJ FIG	ITEM
<b>S Continued</b>		
SHAKER.....	27-31-00-01	-001
SHELF ASSY-LH.....	53-11-00-01	-001
SHELF ASSY-RH.....	53-11-00-01	-075
SHIELD.....	27-20-00-01	-019
SHIELD.....	55-20-00-01	-076
SHIELD ASSY.....	27-20-00-02	-008
SHIM-UPR AND LWR.....	52-30-00-02	-013
SHIM.....	57-60-00-01	-033
SHROUD ASSY-LH.....	30-40-00-01	-164
SHROUD ASSY-RH.....	30-40-00-01	-165
SIDE CONSOLE INSTALLATION - COPILOT.....	25-10-00-02	-
SIDE CONSOLE INSTALLATION - PILOT.....	25-10-00-01	-
SIDE CONSOLE RELAY INSTALLATION - RH.....	24-50-01-03	-
SIDE DUCT-LH.....	21-20-01-02	-028
SIDE DUCT-RH.....	21-20-01-02	-029
SIDE DUCT ASSY.....	21-20-01-02	-079
SIDE FACING SEAT (SFS).....	25-26-00-01	-
SIDE FACING SEAT ARMREST.....	25-26-00-02	-
SIDE PANEL UPHOLSTERY AND TRIM - FLIGHT COMPARTMENT.....	25-10-02-02	-
SIDE PLATE ASSY.....	25-20-05-01	-077
SIDE PLATE ASSY.....	25-20-05-01	-078
SIDE PLATE ASSY-LH.....	55-30-01-01	-017
SIDE PLATE ASSY-RH.....	55-30-01-01	-018
SIDEEDGE AND SIDEWALL - CABIN.....	25-21-00-02	-
SIDEWALL DUCT ASSY-LH.....	25-10-02-02	-172
SIDEWALL DUCT ASSY-RH.....	25-10-02-02	-173
SIDEWALL PANEL ASSY-LH FWD.....	25-10-02-02	-001
SIDEWALL PANEL ASSY-RH FWD.....	25-10-02-02	-002
SIDEWALL PANEL ASSY-LH UPPER.....	25-10-02-02	-006
SIDEWALL PANEL ASSY-RH UPPER.....	25-10-02-02	-007
SIDEWALL PANEL ASSY-LH LOWER.....	25-10-02-02	-019
SIDEWALL PANEL ASSY-RH LOWER.....	25-10-02-02	-020
SIDEWALL POCKET ASSY.....	25-10-02-02	-023
SIDEWALL UPHOLSTERY ASSY-LH FWD.....	25-21-00-02	-001
SIDEWALL UPHOLSTERY ASSY-RH FWD.....	25-21-00-02	-002
SIDEWALL UPHOLSTERY ASSY-LH AFT.....	25-21-00-02	-003
SIDEWALL UPHOLSTERY ASSY-RH AFT.....	25-21-00-02	-004
SIDEWALL UPHOLSTERY ASSY-CENTER.....	25-21-00-02	-007
SIGHT GAUGE ASSY-HYDRAULIC RESERVOIR.....	29-10-00-02	-016
SIGN-NO SMOKING/FASTEN SEAT BELT ON FWD HEADER FSO 9919053-9.....	33-20-00-02	-003
SIGN-NO SMOKING/FASTEN SEAT BELT ON AFT BULKHEAD FSO 9919053-9.....	33-20-00-02	-005
SIGNAL CONDITIONER.....	28-40-00-01	-001
SKID RAIL - CENTER WING.....	32-70-00-01	-
SKID RAIL ASSY.....	32-70-00-01	-001
SKIN-UPPER INBOARD.....	52-20-00-01	-008
SKIN-LOWER INBOARD.....	52-20-00-01	-014
SKIN-LEADING EDGE.....	55-30-00-02	-002
SKIN-LEADING EDGE.....	55-40-00-01	-046
SKIN-LH TRAILING EDGE.....	55-40-00-01	-047
SKIN-RH TRAILING EDGE.....	55-40-00-01	-048
SKIN-LH.....	55-40-00-01	-089
SKIN-RH.....	55-40-00-01	-090
SKIN-LH INBD FSO 6322104-231.....	57-40-00-01	-017
SKIN-RH INBD FSO 6322104-230.....	57-40-00-01	-019
SKIN-LH CTR FSO 6322104-227.....	57-40-00-01	-021
SKIN-RH CTR FSO 6322104-226.....	57-40-00-01	-023
SKIN-LH OUTBD FSO 6322104-229.....	57-40-00-01	-025
SKIN-RH OUTBD FSO 6322104-228.....	57-40-00-01	-027
SKIN-LH TRAILING EDGE.....	57-60-00-02	-016
SKIN-RH UPPER OUTBOARD.....	71-10-00-01	-154

CESSNA®  
**MODEL 525 (SERIALS -0685 AND -0800 AND ON)**  
 ILLUSTRATED PARTS CATALOG

NOMENCLATURE	CH	SEC	SUBJ	FIG	ITEM
<b>S</b> Continued					
SKIN-RH OUTBOARD .....	71-10-00-01				-156
SKIN-RH LOWER INBOARD .....	71-10-00-01				-158
SKIN ASSY-LH .....	55-30-00-02				-003
SKIN ASSY-RH .....	55-30-00-02				-004
SKIN BOND ASSY .....	57-60-00-02				-164
SLIDING DOOR ASSY-LH .....	25-21-01-02				-090
SLIDING DOOR ASSY-RH .....	25-21-01-02				-091
SLIM DIVIDER ASSY-RH AFT .....	25-21-00-04				-001
SPACER LEVER STOP .....	76-10-01-01				-023
SPAR-FWD .....	55-40-00-01				-022
SPAR-AUXILIARY .....	55-40-00-01				-023
SPAR ASSY-FWD .....	55-20-00-01				-023
SPAR ASSY-LH AFT .....	55-20-00-01				-024
SPAR ASSY-RH AFT .....	55-20-00-01				-025
SPAR ASSY-FWD .....	55-30-00-03				-075
SPAR ASSY-CTR .....	55-30-00-03				-093
SPAR ASSY-AFT .....	55-30-00-03				-150
SPAR BOND ASSY .....	55-30-00-03				-160
SPAR CAP-LH FWD .....	55-30-00-03				-080
SPAR CAP-RH FWD .....	55-30-00-03				-081
SPAR CAP-LH CTR .....	55-30-00-03				-094
SPAR CAP-RH CTR .....	55-30-00-03				-095
SPAR TAB .....	55-40-00-01				-086
SPEAKER ASSY-OVERHEAD .....	23-30-00-01				-001
SPEED BRAKE .....	57-70-00-01				-
SPEED BRAKE SYSTEM .....	27-60-00-01				-
SPEED BRAKE SYSTEM - HYDRAULIC .....	27-60-00-02				-
SPINDLE .....	32-30-00-02				-011
SPLICE .....	52-10-00-02				-150
SPRING .....	32-30-00-02				-010
SPRING-CABIN DOOR .....	52-10-00-02				-256
SPROCKET ASSY .....	27-30-02-02				-001
STABILIZER ASSY-HORIZONTAL .....	55-10-00-01				-001
STANDBY INSTRUMENT POWER SUPPLY .....	24-30-02-01				-
STANDPIPE ASSY .....	28-10-00-02				-002
STARTER GENERATOR .....	80-10-00-01				-001
STARTER GENERATOR .....	80-10-00-01				-
STATIC DISCHARGERS .....	23-60-00-01				-
STATIC SYSTEM .....	34-11-00-02				-
STATIC WICK BASE .....	55-20-00-01				-048
STATIC WICK BASE .....	55-40-00-01				-035
STICK SHAKER SYSTEM .....	27-31-00-01				-
STIFFENER-PULLEY BRACKET ASSY .....	27-20-00-02				-001
STINGER INSTALLATION .....	53-30-00-04				-
STOP-LH OVERCENTER .....	27-70-00-01				-176
STOP-RH OVERCENTER .....	27-70-00-01				-177
STOP ASSY-LH OUTBD .....	27-10-00-02				-018
STOP ASSY-RH OUTBD .....	27-10-00-02				-019
STOP ASSY-INBD .....	27-10-00-02				-020
STOP BRACKET ASSY-FWD .....	52-60-00-01				-109
STORAGE CABINET - RH FORWARD .....	25-30-00-03				-
STORMSCOPE INSTALLATION .....	34-44-00-02				-
STRAP .....	28-20-00-01				-081
STRAP .....	28-20-00-01				-108
STRAP .....	52-30-00-01				-025
STRIKER PLATE .....	52-30-00-02				-021
STRINGER-CTR .....	53-10-00-03				-001
STRINGER-UPR .....	53-20-02-01				-001
STRINGER-RH FWD .....	53-25-00-01				-006
STRINGER-FWD .....	55-10-00-02				-150

CESSNA®  
**MODEL 525 (SERIALS -0685 AND -0800 AND ON)**  
 ILLUSTRATED PARTS CATALOG

NOMENCLATURE	CH SEC SUBJ FIG	ITEM
<b>S Continued</b>		
STRINGER-FWD.....	55-10-00-02	-151
STRINGER-AFT.....	55-10-00-02	-152
STRINGER-AFT.....	55-10-00-02	-153
STRINGER S4L-LH AFT.....	53-40-00-01	-001
STRIP HINGE-OUTBD.....	52-60-00-01	-037
STRIP HINGE-CTR.....	52-60-00-01	-038
SUNVISOR ASSY-SWING ARM.....	25-11-00-01	-001
SUPPORT.....	21-20-00-01	-017
SUPPORT-PULLEY BRACKET.....	32-50-00-01	-037
SUPPORT-LH.....	53-10-00-01	-150
SUPPORT-RH.....	53-10-00-01	-151
SUPPORT-FWD.....	53-11-00-03	-001
SUPPORT-MID.....	53-11-00-03	-002
SUPPORT-AFT.....	53-11-00-03	-003
SUPPORT-LH.....	53-20-00-01	-001
SUPPORT.....	53-20-00-01	-075
SUPPORT-MID.....	53-20-00-02	-075
SUPPORT-LH INBOARD.....	53-21-00-04	-001
SUPPORT-INBOARD.....	55-10-00-01	-077
SUPPORT-OUTBOARD.....	55-10-00-01	-078
SUPPORT ASSY.....	25-21-01-01	-011
SUPPORT ASSY-FULL DIVIDER.....	25-21-01-01	-012
SUPPORT ASSY-BRAKE CYLINDER SUPPORT.....	27-20-01-01	-103
SUPPORT ASSY-BRAKE CYLINDER SUPPORT.....	27-20-01-01	-104
SUPPORT ASSY-LH BEARING BLOCK.....	27-20-01-01	-150
SUPPORT ASSY-RH BEARING BLOCK.....	27-20-01-01	-151
SUPPORT ASSY-LWR.....	27-30-01-01	-164
SUPPORT ASSY-SLIDE.....	27-70-00-01	-104
SUPPORT ASSY.....	52-40-00-01	-021
SUPPORT ASSY-INBD.....	52-40-00-01	-026
SUPPORT ASSY-OUTBD.....	52-40-00-01	-027
SUPPORT BRACKET.....	32-30-00-02	-027
SUPPORT BRACKET.....	32-30-00-02	-028
SURGE TANK AND PANEL ASSY-LH.....	28-10-00-01	-032
SURGE TANK AND PANEL ASSY-RH.....	28-10-00-01	-033
SWIFT BROADBAND.....	23-16-00-01	-
SWIFT BROADBAND UNIT CONFIGURATION MODULE UT515.....	23-16-00-01	-028
SWISS EXTERIOR PLACARDS AND MARKINGS - AFT BAGGAGE.....	11-HB-23-02	-
SWISS EXTERIOR PLACARDS AND MARKINGS - CABIN DOOR.....	11-HB-28-01	-
SWISS EXTERIOR PLACARDS AND MARKINGS - ESCAPE HATCH.....	11-HB-28-02	-
SWISS EXTERIOR PLACARDS AND MARKINGS - FUSELAGE.....	11-HB-22-02	-
SWISS EXTERIOR PLACARDS AND MARKINGS - NOSE BAGGAGE.....	11-HB-23-01	-
SWISS INTERIOR PLACARDS AND MARKINGS - AFT CABIN.....	11-HB-32-02	-
SWISS INTERIOR PLACARDS AND MARKINGS - CABIN DOOR.....	11-HB-38-01	-
SWISS INTERIOR PLACARDS AND MARKINGS - CABIN SEATS.....	11-HB-32-04	-
SWISS INTERIOR PLACARDS AND MARKINGS - DIVIDERS.....	11-HB-33-02	-
SWISS INTERIOR PLACARDS AND MARKINGS - ESCAPE HATCH.....	11-HB-38-02	-
SWISS INTERIOR PLACARDS AND MARKINGS - FLIGHT COMPARTMENT.....	11-HB-31-05	-
SWISS INTERIOR PLACARDS AND MARKINGS - FORWARD CABIN.....	11-HB-32-01	-
SWISS INTERIOR PLACARDS AND MARKINGS - LAVATORY.....	11-HB-33-01	-
SWISS INTERIOR PLACARDS AND MARKINGS - LH CONSOLE.....	11-HB-31-04	-
SWITCH-TEMPERATURE.....	21-20-01-01	-028
SWITCH-AUTOPILOT TRIM DISCONNECT.....	27-10-01-01	-007
SWITCH-AUTOPILOT TRIM CONTROL.....	27-10-01-01	-008
SWITCH ROCKER-ELEVATOR TRIM.....	27-10-01-01	-010
SWITCH-TRANSPONDER IDENT.....	27-10-01-01	-011
SWITCH-AVIONICS SL020.....	27-50-00-02	-082
SWITCH-ANGLE OF ATTACK SL022.....	27-50-00-02	-083
SWITCH-ANNUNCIATOR LIGHT SL018.....	27-50-00-02	-085
SWITCH-SAFETY INTERRUPT SL019.....	27-50-00-02	-086

CESSNA®  
**MODEL 525 (SERIALS -0685 AND -0800 AND ON)**  
 ILLUSTRATED PARTS CATALOG

NOMENCLATURE	CH	SEC	SUBJ	FIG	ITEM
--------------	----	-----	------	-----	------

**S** Continued

SWITCH-AVIONICS 20 DEGREE FLAPS SL021.....	27-50-00-02	-087
SWITCH-GEAR WARNING WORN SL025.....	27-50-00-02	-088
SWITCH-ANGLE OF ATTACK SL023.....	27-50-00-02	-089
SWITCH-EGPWS SL030.....	27-50-00-02	-090
SWITCH-FLAP OVERRIDE SL033.....	27-50-00-02	-091
SWITCH-LIFT DUMP SL024.....	27-50-00-02	-098
SWITCH-ANTI-ICE WING CROSSFEED SI088.....	30-10-00-01	-157
SWITCH-LH BLEED AIR.....	30-10-00-01	-158
SWITCH-RH BLEED AIR.....	30-10-00-01	-159
SWITCH-ANTI-ICE TAIL SI032.....	30-10-00-01	-160
SWITCH-.....	30-20-00-01	-001
SWITCH-ALCOHOL WINDSHIELD ANTI-ICE SI062.....	30-40-00-02	-032
SWITCH-LED MASTER WARNING LIGHT PILOTS SI137.....	31-50-00-01	-001
SWITCH-LED MASTER CAUTION LIGHT PILOTS SI135.....	31-50-00-01	-003
SWITCH.....	32-30-00-01	-024
SWITCH-MAIN GEAR DOWN AND LOCK LH SG007 AND RH SG005.....	32-30-00-02	-107
SWITCH-NOSE GEAR DOWN AND LOCK.....	32-30-01-04	-093
SWITCH ASSY-L ENG FIRE SI131.....	26-20-05-01	-002
SWITCH ASSY-BOTTLE ARMED SI133.....	26-20-05-01	-003
SWITCH ASSY-R ENG FIRE SI132.....	26-20-05-01	-004
SWITCH ASSY-BOTTLE ARMED SI134.....	26-20-05-01	-005
SWITCH GUARD.....	76-10-01-03	-007
SWITCH PANEL ASSY-LH CONSOLE.....	31-10-00-01	-150
SWITCH PANEL ASSY-RH CONSOLE.....	31-10-00-01	-161
SWITCH PANEL INSTALLATION.....	31-10-00-01	-
SWITCH-ENGINE OIL PRESSURE SD002.....	79-30-00-01	-001

**T**

TAIL SKID INSTALLATION.....	32-70-00-02	-
TAILCONE BAGGAGE DOOR.....	52-30-00-02	-
TAILCONE BULKHEADS INSTALLATION.....	53-40-00-02	-
TAILCONE STRINGERS INSTALLATION.....	53-40-00-01	-
TAILCONE STRUCTURE INSTALLATION.....	53-40-00-03	-
TEMPERATURE CONTROL SYSTEM.....	21-60-00-01	-
TEMPERATURE SENSOR.....	21-20-01-01	-026
TEMPERATURE SENSOR.....	30-40-00-03	-087
THRANE & THRANE SWIFT BROADBAND UNIT UT517.....	23-16-00-01	-025
THRESHOLD CLOSEOUT ASSY.....	52-60-00-01	-043
THROTTLE LEVER ASSY-LH.....	76-10-01-02	-002
THROTTLE LEVER ASSY-RH.....	76-10-01-02	-003
TIP BOND ASSY-ELEVATOR.....	55-20-00-01	-034
TIRE 22X7.75-10 10 PLY RATING.....	32-40-00-01	-005
TIRE 22X7.75-10 12 PLY RATING.....	32-40-00-01	-005A
TIRE.....	32-40-00-02	-009
TOILET INSTALLATION - FLUSHING LH BELTED.....	38-30-00-01	-
TORQUE TUBE ASSY FSO 6342008-9.....	32-30-01-02	-023
TORQUE TUBE ASSY-WELD FSO 6333002-16.....	55-40-00-01	-024
TRACK ASSY-LH.....	25-20-05-01	-160
TRACK ASSY-RH.....	25-20-05-01	-161
TRACK SUNVISOR INSTALLATION.....	25-11-00-01	-
TRACKING TUBE.....	25-20-05-01	-176
TRAFFIC COLLISION AVOIDANCE SYSTEM II (TCAS).....	34-46-00-02	-
TRAILING EDGE INSTALLATION.....	57-50-00-01	-
TRANSDUCER ASSY-ANTISKID LH AND RH.....	32-41-00-03	-079
TRANSISTOR.....	21-21-00-02	-005
TRANSISTOR-Q21.....	24-50-00-01	-006
TRANSMITTER-LH FUEL FLOW UD002.....	73-30-00-01	-001

CESSNA®  
**MODEL 525 (SERIALS -0685 AND -0800 AND ON)**  
 ILLUSTRATED PARTS CATALOG

NOMENCLATURE	CH SEC SUBJ FIG	ITEM
<b>T Continued</b>		
TRANSMITTER-RH FUEL FLOW UE009 .....	73-30-00-01	-002
TRAY .....	24-30-02-01	-002
TRAY ASSY .....	52-40-00-01	-032
TRIGGER .....	52-10-01-02	-022
TRIM-AFT WEIS .....	25-20-00-02	-009
TRIM-AFT MONTEREY .....	25-20-00-02	-010
TRIM-AFT BEIGE .....	25-20-00-02	-011
TRIM-AFT PINSTRIPE .....	25-20-00-02	-012
TRIM-AFT SAVANNA .....	25-20-00-02	-013
TRIM-FWD LINTEL .....	25-20-00-02	-026
TRIM-AFT LINTEL .....	25-20-00-02	-027
TRIM-CTR LINTEL .....	25-20-00-02	-028
TRIM ASSY-FWD MONTEREY .....	25-20-00-02	-002
TRIM ASSY-FWD BEIGE .....	25-20-00-02	-003
TRIM ASSY-FWD PINSTRIPE .....	25-20-00-02	-004
TRIM ASSY-FWD SAVANNA .....	25-20-00-02	-005
TRIM TAB ASSY-LH ELEVATOR .....	55-20-00-01	-152
TRIM TAB ASSY-RH ELEVATOR .....	55-20-00-01	-153
TRIM WEIGHT .....	55-20-00-01	-038
TRIM WEIGHT-RUDDER .....	55-40-00-01	-028
TRIM WHEEL ASSY .....	27-20-02-02	-001
TUBE .....	21-20-00-01	-015
TUBE-UPR FWD .....	52-10-01-01	-024
TUBE-UPR AFT .....	52-10-01-01	-025
TUBE ASSY-LH .....	28-20-00-02	-001
TUBE ASSY-RH .....	28-20-00-02	-002
TUBE ASSY-LH .....	28-20-00-02	-003
TUBE ASSY-RH .....	28-20-00-02	-004
TUBE ASSY-LH PRESSURE .....	29-10-00-01	-011
TUBE ASSY-LH PRESSURE .....	29-10-00-01	-011A
TUBE ASSY-RH PRESSURE .....	29-10-00-01	-012
TUBE ASSY-LH SUCTION .....	29-10-00-01	-013
TUBE ASSY-RH SUCTION .....	29-10-00-01	-014
TUBE ASSY-RH SUCTION .....	29-10-00-01	-014A
TUBE ASSY-TEE TO SOLENOID VALVE .....	30-10-00-01	-084
TUBE ASSY-LH EXTEND .....	32-30-00-02	-036
TUBE ASSY-RH EXTEND .....	32-30-00-02	-038
TUBE ASSY-RH EXTEND .....	32-30-00-02	-039
TUBE ASSY-LH EXTEND .....	32-30-00-02	-150
TUBE ASSY-LH EXTEND .....	32-30-00-02	-151
TUBE ASSY-RH EXTEND .....	32-30-00-02	-152
TUBE ASSY-RH EXTEND .....	32-30-00-02	-153
TUBE ASSY-LH RETRACT .....	32-30-00-02	-159
TUBE ASSY-LH RETRACT .....	32-30-00-02	-160
TUBE ASSY-RH RETRACT .....	32-30-00-02	-161
TUBE ASSY-RH RETRACT .....	32-30-00-02	-162
TUBE ASSY-LH EXTEND .....	32-30-00-02	-171
TUBE ASSY-LH EXTEND .....	32-30-00-02	-172
TUBE ASSY-RH EXTEND .....	32-30-00-02	-173
TUBE ASSY-RH EXTEND .....	32-30-00-02	-174
TUBE ASSY-EXTEND .....	32-30-00-02	-180
TUBE ASSY-EXTEND .....	32-30-00-02	-182
TUBE ASSY-LH RETRACT .....	32-30-00-02	-183
TUBE ASSY-LH RETRACT .....	32-30-00-02	-184
TUBE ASSY-RH RETRACT .....	32-30-00-02	-185
TUBE ASSY-RH RETRACT .....	32-30-00-02	-186
TUBE ASSY-RETRACT .....	32-30-00-02	-187
TUBE ASSY-RETRACT .....	32-30-00-02	-191
TUBE ASSY-EXTEND .....	32-30-01-03	-001
TUBE ASSY-RETRACT .....	32-30-01-03	-002



CESSNA®  
**MODEL 525 (SERIALS -0685 AND -0800 AND ON)**  
 ILLUSTRATED PARTS CATALOG

NOMENCLATURE	CH	SEC	SUBJ	FIG	ITEM
--------------	----	-----	------	-----	------

**T** Continued

TUBE ASSY-LH.....	36-10-00-01	-003
TUBE ASSY-LH.....	36-10-00-01	-010
TUBE ASSY-LH.....	36-10-00-01	-075
TUBE ASSY-RH.....	36-10-00-01	-076
TUBE ASSY.....	36-10-00-01	-152
TUBE ASSY-LH.....	36-10-00-01	-154
TUBE ASSY-RH.....	36-10-00-01	-155
TUBE ASSY.....	36-10-00-01	-171
TUBE ASSY-LH.....	36-10-00-01	-174
TUBE ASSY-LH.....	36-10-00-01	-179
TUBE ASSY.....	36-10-00-02	-001
TUBE ASSY.....	36-10-00-02	-014
TUBE ASSY-ENGINE HYDRAULIC PUMP DRAIN.....	71-70-00-01	-001

**U**

U.S. EXTERIOR PLACARDS AND MARKINGS - AFT BAGGAGE.....	11-N-23-02	-
U.S. EXTERIOR PLACARDS AND MARKINGS - CABIN DOOR.....	11-N-28-01	-
U.S. EXTERIOR PLACARDS AND MARKINGS - ESCAPE HATCH.....	11-N-28-02	-
U.S. EXTERIOR PLACARDS AND MARKINGS - FUEL.....	11-N-25-02	-
U.S. EXTERIOR PLACARDS AND MARKINGS - FUSELAGE.....	11-N-22-02	-
U.S. EXTERIOR PLACARDS AND MARKINGS - NACELLES AND PYLONS.....	11-N-24-01	-
U.S. EXTERIOR PLACARDS AND MARKINGS - NOSE.....	11-N-22-01	-
U.S. EXTERIOR PLACARDS AND MARKINGS - NOSE BAGGAGE.....	11-N-23-01	-
U.S. EXTERIOR PLACARDS AND MARKINGS - OXYGEN.....	11-N-22-03	-
U.S. EXTERIOR PLACARDS AND MARKINGS - TAILCONE.....	11-N-22-04	-
U.S. EXTERIOR PLACARDS AND MARKINGS - WINGS.....	11-N-25-01	-
U.S. INTERIOR PLACARDS AND MARKINGS - AFT CABIN.....	11-N-32-02	-
U.S. INTERIOR PLACARDS AND MARKINGS - CABIN DOOR.....	11-N-38-01	-
U.S. INTERIOR PLACARDS AND MARKINGS - CABIN SEATS.....	11-N-32-04	-
U.S. INTERIOR PLACARDS AND MARKINGS - ESCAPE HATCH.....	11-N-38-02	-
U.S. INTERIOR PLACARDS AND MARKINGS - FLIGHT COMPARTMENT.....	11-N-31-05	-
U.S. INTERIOR PLACARDS AND MARKINGS - FORWARD CABIN.....	11-N-32-01	-
U.S. INTERIOR PLACARDS AND MARKINGS - INSTRUMENT PANEL.....	11-N-31-01	-
U.S. INTERIOR PLACARDS AND MARKINGS - LAVATORY.....	11-N-33-01	-
U.S. INTERIOR PLACARDS AND MARKINGS - LH CONSOLE.....	11-N-31-04	-
U.S. INTERIOR PLACARDS AND MARKINGS - PC BOARD.....	11-N-31-02	-
UPHOLSTERY - CABIN OVERHEAD.....	25-20-02-01	-
UPHOLSTERY AND TRIM - FLIGHT COMPARTMENT WINDOWS.....	25-10-02-01	-
UPLOCK HOOK ASSY-LH.....	32-30-00-02	-019
UPLOCK HOOK ASSY-RH.....	32-30-00-02	-020
USB BRACKET.....	44-20-00-01	-003
USB BRACKET ASSY-LH.....	25-10-02-02	-011
USB PORT.....	25-10-02-02	-164

**V**

VALVE.....	28-10-00-01	-024
VALVE-FUEL MOTOR ACTUATED.....	28-20-00-02	-027
VALVE-SYSTEM RELIEF.....	29-10-00-02	-083
VALVE-SOLENOID.....	30-10-00-01	-075
VALVE-TEMPERATURE CONTROL.....	30-40-00-03	-105
VALVE-PARKING BRAKE.....	32-41-00-01	-160
VALVE-POWER BRAKE AND ANTISKID.....	32-41-00-03	-014
VALVE ACTUATOR BOLT.....	36-10-00-03	-012
VALVE ASSY-EMERGENCY PRESSURIZATION SHUTOFF.....	21-30-00-02	-001
VALVE ASSY-LH CROSS FEED FUEL.....	28-20-00-01	-087

CESSNA®  
**MODEL 525 (SERIALS -0685 AND -0800 AND ON)**  
 ILLUSTRATED PARTS CATALOG

NOMENCLATURE	CH SEC SUBJ FIG	ITEM
--------------	-----------------	------

**V Continued**

VALVE ASSY-DOOR SEAL .....	36-10-00-03	-004
VALVE-BRAKE ASSY .....	32-41-00-05	-029
VALVE-WINDSHIELD AIR CONTROL .....	30-40-00-01	-163
VENT GRILL .....	25-29-00-01	-006
VENT TUBE ASSY .....	25-20-00-02	-036
VENT VALVE-FLOAT FUEL SURGE TANK FSO 9912016-2 .....	28-10-00-01	-038
VENT VALVE-FLOAT FUEL SURGE TANK FOR SPARES ONLY .....	28-10-00-01	-039
VERTICAL STABILIZER ASSEMBLY .....	55-30-00-01	-
VERTICAL STABILIZER ASSY .....	55-30-00-01	-001
VERTICAL STABILIZER ASSY .....	55-30-00-02	-001
VERTICAL STABILIZER SKINS .....	55-30-00-02	-
VERTICAL STABILIZER STRUCTURE INSTALLATION .....	55-30-00-03	-
VHF COMMUNICATION SYSTEM .....	23-10-01-01	-
VHF NAVIGATION SYSTEM .....	34-35-00-01	-
VORTEX GENERATOR .....	55-30-00-01	-020
VORTEX GENERATOR .....	55-31-00-01	-025

**W**

WATER COLLECTOR ASSY .....	21-21-00-01	-004
WEATHER RADAR SYSTEM .....	34-44-00-03	-
WEB .....	21-50-02-01	-017
WEB BOND ASSY .....	55-30-00-03	-076
WEB BOND ASSY .....	55-30-00-03	-097
WELD ASSY-TAIL SKID .....	32-70-00-02	-001
WELD ASSY-LH TORQUE TUBE FSO 6334002-21 .....	55-20-00-01	-050
WELD ASSY-RH TORQUE TUBE FSO 6334002-22 .....	55-20-00-01	-051
WHEEL & TIRE ASSY-NOSE GEAR .....	32-20-00-01	-025
WHEEL AND TIRE ASSEMBLY - NOSE LANDING GEAR (NLG) .....	32-40-00-02	-
WHEEL AND TIRE ASSY .....	32-10-00-01	-021
WHEEL AND TIRE ASSY-GRAY LH AND RH .....	32-40-00-01	-001
WHEEL AND TIRE ASSY-WHITE LH AND RH .....	32-40-00-01	-001A
WHEEL AND TIRE ASSY .....	32-40-00-02	-001
WHEEL AND TIRE ASSY ALT FOR 6342110-1 .....	32-40-00-02	-001A
WHEEL AND TIRE ASSY .....	32-40-00-02	-001B
WHEEL ASSY .....	27-20-02-02	-015
WHEEL ASSY .....	27-30-02-02	-039
WHEEL ASSY-GRAY .....	32-40-00-01	-006
WHEEL ASSY .....	32-40-00-02	-010
WHEEL ASSY-WHITE ALT FOR 9914069-2 .....	32-40-00-02	-010A
WHEEL, TIRE AND BRAKE - MAIN LANDING GEAR (MLG) .....	32-40-00-01	-
WHEELWELL STRUCTURE INSTALLATION .....	57-10-01-02	-
WINDLACE .....	25-20-00-02	-031
WINDOW - FLIGHT COMPARTMENT .....	56-10-01-01	-
WINDOW ASSY-PILOT .....	56-10-01-01	-001
WINDOW ASSY-COPILOT .....	56-10-01-01	-002
WINDOW ASSY-PILOT .....	56-10-01-01	-009
WINDOW ASSY-COPILOT .....	56-10-01-01	-010
WINDOW ASSY- .....	56-10-01-02	-001
WINDOW ASSY-CABIN FSO 6311123-201 .....	56-20-00-01	-001
WINDOW LONGERON INSTALLATION .....	53-25-00-01	-
WINDOW TRIM-LH SAVANNA .....	25-10-02-01	-001
WINDOW TRIM-LH WEIS .....	25-10-02-01	-002
WINDOW TRIM-LH MONTERREY .....	25-10-02-01	-003
WINDOW TRIM-LH BEIGE .....	25-10-02-01	-004
WINDOW TRIM-LH PINSTRIPE .....	25-10-02-01	-005
WINDOW TRIM-FRONT SAVANNA .....	25-10-02-01	-006
WINDOW TRIM-FRONT WEIS .....	25-10-02-01	-007

CESSNA®  
**MODEL 525 (SERIALS -0685 AND -0800 AND ON)**  
 ILLUSTRATED PARTS CATALOG

NOMENCLATURE	CH	SEC	SUBJ	FIG	ITEM
--------------	----	-----	------	-----	------

**W** Continued

WINDOW TRIM-FRONT MONTERREY .....	25-10-02-01	-008
WINDOW TRIM-FRONT BEIGE .....	25-10-02-01	-009
WINDOW TRIM-FRONT PINSTRIPE .....	25-10-02-01	-010
WINDOW TRIM-RH SAVANNA .....	25-10-02-01	-011
WINDOW TRIM-RH WEIS .....	25-10-02-01	-012
WINDOW TRIM-RH MONTERREY .....	25-10-02-01	-013
WINDOW TRIM-RH BEIGE .....	25-10-02-01	-014
WINDOW TRIM-RH PINSTRIPE .....	25-10-02-01	-015
WINDSHIELD - FLIGHT COMPARTMENT .....	56-10-00-01	-
WINDSHIELD ANTI-ICE SYSTEM - AIR DUCTS .....	30-40-00-03	-
WINDSHIELD ANTI-ICE SYSTEM - ALCOHOL .....	30-40-00-02	-
WINDSHIELD ANTI-ICE SYSTEM - BLEED AIR .....	30-40-00-01	-
WINDSHIELD ASSY-LH .....	56-10-00-01	-001
WINDSHIELD ASSY-RH .....	56-10-00-01	-002
WINDSHIELD ICE DETECTION LIGHT .....	33-10-00-02	-
WINDSHIELD SUPPORT STRUCTURE .....	56-10-00-02	-
WING ASSY .....	57-00-00-01	-006
WING FUEL SYSTEM - COMPONENTS .....	28-10-00-02	-
WING FUEL SYSTEM - VENT .....	28-10-00-01	-
WING INSTALLATION .....	57-00-00-01	-
WING LEADING EDGE .....	57-40-00-01	-
WING SKINS .....	57-30-00-02	-
WINGLET INSTALLATION .....	57-30-01-01	-
WINGLET LIGHT INSTALLATION .....	33-40-01-01	-
WIRE BUNDLE ASSY-LH ENGINE .....	71-50-00-01	-001
WIRE BUNDLE ASSY-LH ENGINE STARTER GENERATOR POWER/GROUND .....	71-50-00-01	-002
WIRE BUNDLE ASSY-RH ENGINE .....	71-50-00-01	-075
WIRELESS MEDIA SERVER .....	44-20-00-01	-001

**Y**

Y DUCT ASSY .....	30-40-00-03	-028
-------------------	-------------	------



CESSNA®  
**MODEL 525 (SERIALS -0685 AND -0800 AND ON)**  
 ILLUSTRATED PARTS CATALOG

PART NUMBER	CH SEC SUBJ FIG	ITEM	REQ	PART NUMBER	CH SEC SUBJ FIG	ITEM	REQ
.0033UFD100VDC	57-40-00-01	-098	01	079-00300	32-41-00-03	-010	02
000-130-100	26-20-05-01	-006	02	0800141-13	11-N-22-03	-001A	01
01-0770966-00	33-40-00-02	-001	01	0800181-14	11-N-22-03	-001	NP
011-00796-00	77-40-05-01	-004	02	0800181-17	11-N-22-03	-003	01
011-00796-02	34-44-01-01	-015	01	0812978-2	33-10-01-01	-008	02
011-00796-35	34-44-00-01	-005	01	0842000-36	32-40-00-02	-004	01
011-00831-05	77-40-05-01	-001	01	0842000-37	32-40-00-02	-002	02
011-00831-05	77-40-05-01	-002	01	0861100-127	27-20-02-02	-012	01
011-00870-10	34-28-00-01	-075	01	0861209-1	76-10-01-01	-033	01
011-00870-10	34-28-00-01	-076	01	0861213-1	76-10-01-01	-027	04
011-00877-20	22-10-00-01	-002	02	0861219-1	76-10-01-01	-004	01
011-00878-20	22-10-00-01	-022	01	0905LS1G	21-20-01-02	-015	02
011-00878-20	27-30-02-01	-030	01	0905LS1G	21-50-01-01	-032	01
011-00987-00	34-44-00-01	-001	NP	091R	21-21-00-01	-031	01
011-01020-10	22-10-00-02	-001	01	1-127543D10EP	30-10-00-01	-085A	02
011-01028-08	27-30-02-01	-035	01	1-127543D6EP	53-10-00-04	-002	01
011-01028-09	22-10-00-01	-006	03	1-127543D8EP	30-10-00-01	-101A	06
011-01105-40	34-61-05-01	-001	02	100-300-17A4	28-40-00-01	-013	NP
011-01457-01	31-40-00-01	-001	01	100-300-17A4	57-20-03-01	-013	02
011-01746-00	34-44-01-01	-012	01	101001-393	25-30-00-01	-010	01
011-01768-00	34-44-00-03	-001	01	101001-522	25-30-00-02	-006	01
011-01793-00	23-50-01-02	-001	01	101001-81	52-10-00-01	-117	01
011-01793-00	23-50-01-02	-002	01	101001-869	25-21-00-02	-084	04
011-01794-00	23-50-01-02	-006	02	101015-26	25-21-00-02	-088	01
011-01800-00	34-44-01-01	-008	02	10164-1	24-50-01-01	-106	04
011-01910-00	34-61-00-01	-001	01	10164-1	24-50-01-02	-101	04
011-01910-00	34-61-00-01	-002	01	10164-3	24-50-01-01	-035	04
011-01910-00	34-61-00-01	-003	01	10164-3	24-50-01-01	-107	02
011-01983-01	34-61-00-01	-004	01	10164-3	24-50-01-02	-102	01
011-01983-01	34-61-00-01	-005	01	10164-7	24-50-01-01	-036	09
011-01997-00	34-50-00-01	-014	02	102025-1	23-50-00-02	-001	01
011-02268-01	34-44-01-01	-005	02	10237-2	24-50-02-04	-169	AR
011-02303-00	23-10-01-01	-001	01	102431	52-30-00-02	-025	02
011-02337-01	34-12-00-01	-001	01	10446-3	25-20-00-01	-034	06
011-02337-01	34-12-00-01	-002	01	105881	38-30-00-01	-196	01
011-02363-00	34-12-00-01	-003	02	106282-1	25-21-00-02	-081	01
011-02419-00	77-40-05-01	-003	02	106300-1	25-21-00-02	-076	02
011-02477-00	23-10-01-01	-002	01	106300-11	25-10-02-02	-170	01
011-02490-14	22-10-00-01	-003	01	106300-12	25-10-02-02	-169	01
011-02490-15	22-10-00-01	-081	01	106300-3	25-21-00-02	-075	02
011-02490-16	22-10-00-01	-023	01	106430-3	25-21-00-02	-075A	02
011-02490-17	27-30-02-01	-034	01	107086-1	25-21-00-02	-094	01
011-02515-00	34-50-00-01	-015	02	10730-5	25-20-00-01	-030	01
011-02571-00	34-46-00-02	-001	01	10840A	21-10-00-01	-036	01
011-02572-00	34-46-00-02	-002	01	110-340	25-60-00-01	-005	01
011-03239-00	34-61-00-01	-078	02	11020-2D06-07	32-30-00-02	-165	01
0113-12	21-20-01-01	-013	01	1106P55-1	30-10-00-01	-113	02
013-00165-00	34-52-00-01	-001	01	1115P25	30-40-00-03	-090	01
013-00166-00	34-52-00-01	-013	01	11251-10	25-51-00-01	-008	02
013-00166-01	34-52-00-01	-014	01	11251-15	25-51-00-01	-007	NP
013-00167-00	34-52-00-01	-017	01	115-00459-00	34-28-00-01	-003	02
013-00167-01	34-52-00-01	-018	01	115-00481-10	34-28-00-01	-077	02
026-528-0	32-40-00-01	-005A	01	115-00658-00	31-40-00-01	-002	01
030-611-0	32-40-00-02	-009	01	115-00658-00	34-44-00-01	-002	01
0411524-0	27-10-02-01	-023	02	115-00658-00	34-44-01-01	-013	01
0411524-0	27-20-02-01	-084	02	115-01018-00	34-44-01-01	-006	02
0411524-0	27-30-02-01	-024	02	115-01239-00	34-61-05-01	-002	02
0411783	27-10-00-01	-049	01	115-01406-00	23-50-01-02	-003	02
0411876-1	27-20-02-02	-018	01	11680	25-10-02-02	-024	08
0432134-1	27-10-02-02	-042	01	11680	25-10-02-02	-028	12
0437516HJN	25-22-00-01	-012	04	1169-1	30-40-00-01	-225	01
0510127-5	27-20-02-02	-016	01	1169-1-2	30-40-00-01	-231	01

CESSNA®  
**MODEL 525 (SERIALS -0685 AND -0800 AND ON)**  
 ILLUSTRATED PARTS CATALOG

PART NUMBER	CH SEC SUBJ FIG	ITEM	REQ	PART NUMBER	CH SEC SUBJ FIG	ITEM	REQ
1169-1-2	30-40-00-01	-232	01	16390	23-10-00-01	-038	01
117-00254-01	34-44-00-03	-002	01	1645-1-3	24-50-02-02	-184	01
1173T0759	71-60-00-01	-094	01	166-8691	24-50-04-01	-089	01
1173T42-3	21-20-01-01	-028	01	16758	29-10-00-02	-084	01
1173T42-4	30-10-00-01	-032	02	16920	23-60-00-01	-001	14
118077	25-20-00-01	-075	02	16930	53-30-00-04	-008	01
119302-90	35-10-02-02	-002	02	170041	35-00-00-01	-003	01
1219-3175-SS	53-11-00-02	-004	05	170045	35-00-00-01	-004	01
1219-3175-SS	53-11-00-02	-086	03	17010-042	38-30-00-01	-152	01
1219-3175-SS	53-11-00-02	-090	05	174006-31	35-20-00-01	-014	01
1219-3175-SS	53-11-00-02A	-004	05	176276-50	35-00-00-01	-001	01
1219-3175-SS	53-11-00-02A	-086	03	1785	32-41-00-03	-175	01
125-00062-04	26-20-00-02	-010	04	18215203	32-41-00-01	-111	01
125-00276-00	26-20-00-02	-006	08	184F68-1	32-40-00-02	-009A	01
125-00276-00	53-20-01-01	-023	08	190-1002-1	25-26-00-02	-006	01
1250703-3	21-50-02-01	-025	01	190-1002-1	25-30-00-03	-116	01
12521-1	21-21-01-01	-019	06	190-1008-1	25-30-00-01	-039	02
1259	25-20-00-01	-086	02	190-1008-1	25-30-00-02	-023	02
12753D58EP	30-40-00-01	-042	01	190-1010-1	25-30-00-01	-021	01
12C204	28-20-00-01	-005	04	190-1049-1	25-21-00-02	-034	04
12WS0930	25-22-00-01	-037	02	190-1049-1	25-30-00-01	-017	08
130-1009-10	25-30-00-01	-022	01	190-1049-1	25-30-00-02	-011	06
130-1009-14	25-30-00-01	-018	01	190-1062-2	25-22-00-01	-027	02
130-1010-17	25-22-00-01	-028	02	190265-6S	29-10-00-01	-230	01
130-1010-8	25-22-00-01	-031	01	1C4858	29-10-00-01	-240	02
130-1010-9	25-22-00-01	-030	01	1C5172	29-10-00-02	-014	01
130-1104-1	25-21-01-02	-016	01	1E86-1	21-60-00-01	-001	01
130-1104-2	25-21-01-02	-017	01	1EN118-6	32-30-00-02	-107	01
130-1104-3	25-21-01-02	-019	01	1EN118-6	32-30-01-04	-093	01
130-1104-4	25-21-01-02	-020	01	1QF1-2-46A	34-11-00-01	-045	01
130-1105-3	25-21-01-02	-084	01	1QF1-3-66A	34-11-00-02	-030	01
130-1107-1	25-21-01-02	-088	01	2-214S469-40	30-10-00-01	-006	24
130-1107-2	25-21-01-02	-089	01	200-1003-1	25-30-00-01	-023	01
130-1116-11	25-21-01-02	-018	02	200-23389-33	23-16-00-01	-032	01
130-1116-4	25-21-01-02	-096	02	200-23552-01	23-16-00-01	-038	01
130-1118-12	25-30-00-01	-024	01	200-91000-101	23-70-00-01	-007	01
130-4004	25-60-00-01	-023	01	200-91057-101	24-30-02-01	-002	01
13083-5	26-20-00-01	-004	02	200-92045-102	23-16-00-01	-026	01
13308-1	38-30-00-01	-006A	01	20050-52	53-30-00-02	-013	10
1359C	38-30-00-01	-009	01	20050-52	53-30-00-02	-016	01
13866-125	36-10-00-01	-002	04	201	27-31-00-01	-001	02
13866-175	36-10-00-01	-009	02	2021B1-00PC	25-21-00-02	-010	01
1403-25	30-40-00-03	-010	02	204814-1	33-00-00-01	-003	04
14379-1	23-10-00-01	-045	01	20666-6-250	32-41-00-01	-082	01
14C02-08C	38-31-00-01	-004	01	20666-6-500	29-10-00-01	-121	02
14J02-24A	30-40-00-03	-082	02	2100-1025-22	23-70-00-01	-006	01
15-0191-10	32-30-00-06	-001	01	211-64244-16	34-44-00-03	-004	04
1513041-4	32-30-00-01	-001	01	220-1042-1	25-22-00-01	-016	02
15347	53-30-00-04	-007	01	228A032-3	24-30-02-01	-010	01
15401	23-60-00-01	-002	14	23-3107-01	30-40-00-01	-018	03
1553-00-18	36-10-00-01	-089	02	23-3107-01	32-30-00-06	-037	01
1580007-1	32-30-00-01	-030	01	24096-150C	21-10-00-01	-004	05
16-0550-27	30-40-00-01	-011	01	24096-150C	30-10-00-01	-003	02
16-0550-28	30-40-00-01	-010	01	24096-150C	30-10-00-01	-008	04
160-012-100	24-50-02-04	-098	01	24096-150C	30-40-00-03	-100	02
160-012-100	24-50-02-04	-151	01	24346-100-C	30-20-00-01	-004	06
160-020-75	24-50-01-01	-091	01	24346-150C	21-10-00-01	-004A	01
160-020-75	24-50-01-01	-092	01	24346-150C	30-40-00-03	-101	01
160-020-75	24-50-01-01	-093	01	24346-150C	36-10-00-01	-013	02
160-020-75	24-50-01-02	-093	01	24346-150C	36-10-00-01	-078	02
160-020-75	24-50-01-02	-094	01	245.54.514	25-30-00-01	-020	01
160-020-75	24-50-01-02	-095	01	24540-100	21-10-00-01	-006	02

CESSNA®  
**MODEL 525 (SERIALS -0685 AND -0800 AND ON)**  
 ILLUSTRATED PARTS CATALOG

PART NUMBER	CH SEC SUBJ FIG	ITEM	REQ	PART NUMBER	CH SEC SUBJ FIG	ITEM	REQ
24540-100	30-20-00-01	-015	04	3A325-0263	25-20-05-01	-192	NP
250-215-4	21-30-00-01	-019	01	3A325-0265	25-20-05-01	-172	02
250-215-5	35-00-00-01	-086	01	3A325-0753	25-20-05-01	-191A	04
250-215-6	36-10-00-03	-081	01	3A325-0755	25-20-05-01	-192A	02
259A1PP	36-10-00-03	-015	01	3A527-0201	25-20-05-01	-187	02
26.08.08.909	24-50-04-01	-080	01	3A527-0203	25-20-05-01	-171	02
2601-21	21-10-00-01	-003	02	3A527-0203	25-20-05-01	-396	01
270-000-44	30-40-00-01	-046	02	3D2353-06	30-10-00-01	-075	02
27241287-24	21-10-00-01	-037	01	3X	11-00-00-01	-039	AR
273-1	33-10-00-03	-001	01	400-111	31-10-00-01	-022	01
27480-103	31-50-00-01	-003	01	400-111	31-10-00-01	-159	02
27480-103	31-50-00-01	-004	01	4000002	21-20-00-03	-002	01
27480-104	31-50-00-01	-001	01	401926-1	25-21-00-02	-089	01
27480-104	31-50-00-01	-002	01	405006A-PMA	23-16-00-01	-029	NP
27480-121	26-20-05-01	-002	01	405016A	23-16-00-01	-010	01
27480-122	26-20-05-01	-004	01	405019A	23-16-00-01	-002	01
27480-123	26-20-05-01	-003	01	405040A	23-16-00-01	-025	01
27480-123	26-20-05-01	-005	01	4083-1	27-50-01-01	-023	01
27489-124	31-10-00-01	-025	01	41032-6-0280	38-30-00-01	-193	01
27489-124	31-10-00-01	-026	01	416-1617-2	28-10-00-02	-018	01
27489-125	31-10-00-01	-027	01	416-1690-2	28-10-00-02	-016	01
277K08-1	32-40-00-01	-005	NP	416-842	28-10-00-02	-019	01
29.021.12.943	24-50-02-02	-110	01	41713-10	38-30-00-01	-091	02
2988-BLK	32-10-00-01	-009	01	42000117	32-30-02-01	-034	01
2998EA	52-30-00-02	-023	01	42000118	32-30-02-01	-035	01
29S-4D5244-11	30-10-00-01	-150	01	42000124	32-30-02-01	-038	01
29S-4D5244-12	30-10-00-01	-151	01	4316002-1	11-C-28-02	-001	01
2A425-0313	25-20-05-01	-158	01	4316002-1	11-G-28-02	-001	01
2A503-0006	25-20-05-01	-180	01	4316002-1	11-HB-28-02	-001	01
2D8811	29-10-00-02	-018	02	4316002-1	11-HL-28-02	-001	01
2F-B2LJ-BP	25-30-00-01	-032	01	4316002-1	11-LX-28-02	-001	01
2F-B2LJ-BP	25-30-00-02	-013	01	4316002-1	11-M-28-02	-001	01
2N3055	21-21-00-02	-005	01	4316002-1	11-N-28-02	-001	01
2N3055	24-50-00-01	-006	01	4316002-1	11-OY-28-02	-001	01
309-4318	27-10-01-01	-010	01	4316002-1	11-RP-28-02	-001	01
30931-125	36-10-00-01	-001	04	4316002-1	11-SP-28-02	-001A	01
30931-175	36-10-00-01	-008	02	4316002-1	11-T7-28-02	-001	01
3103-08-11	21-30-00-01	-008	02	4316002-1	11-VH-28-02	-001	01
3106	26-10-00-01	-003	28	4316002-1	11-YR-28-02	-001	01
3175-08-11	21-30-00-01	-015	01	4316002-10	11-CR-31-01	-001	01
3182-08-00	21-30-00-01	-003	06	4316002-10	11-PP-31-01	-001	01
3183-08-00	21-30-00-01	-014	01	4316002-15	11-C-28-01	-003	01
3188-08-00	21-30-00-01	-004	01	4316002-15	11-G-28-01	-003	01
320552	34-11-00-02	-016	02	4316002-15	11-HB-28-01	-003	01
320552	34-11-00-02	-087	02	4316002-15	11-HL-28-01	-003	01
324843-2040	23-50-00-01	-019A	02	4316002-15	11-LX-28-01	-003	01
32W37516125	25-22-00-01	-011	02	4316002-15	11-M-28-01	-003	01
34	21-21-00-01	-008	01	4316002-15	11-N-28-01	-003	01
3408A68	25-20-05-01	-397	01	4316002-15	11-OY-28-01	-003	01
35031	26-20-01-01	-001	01	4316002-15	11-RP-28-01	-003	01
3506-SC38A-EEB	31-10-00-01	-092	02	4316002-15	11-RS-28-01	-003	01
36758-11	35-30-00-02	-008	01	4316002-15	11-SP-28-01	-003A	01
36758-12	35-30-00-02	-009	01	4316002-15	11-T7-28-01	-003	01
37009-4-0390	35-20-00-01	-009	01	4316002-15	11-VH-28-01	-003	01
37009-5-0180	35-20-00-01	-006	01	4316002-15	11-YR-28-01	-003	01
380-70	32-40-00-01	-009	01	4316002-16	11-C-28-01	-001	01
38520401	32-41-00-01	-165	01	4316002-16	11-G-28-01	-001	01
3A	11-00-00-01	-079	AR	4316002-16	11-HB-28-01	-001	01
3A21200096B	76-10-01-02	-030	02	4316002-16	11-HL-28-01	-001	01
3A323-0379	25-20-05-01	-183	02	4316002-16	11-LX-28-01	-001	01
3A323-0405	25-20-05-01	-170	02	4316002-16	11-M-28-01	-001	01
3A323-0455	25-20-05-01	-191	NP	4316002-16	11-N-28-01	-001	01

CESSNA®  
**MODEL 525 (SERIALS -0685 AND -0800 AND ON)**  
 ILLUSTRATED PARTS CATALOG

PART NUMBER	CH	SEC	SUBJ	FIG	ITEM	REQ	PART NUMBER	CH	SEC	SUBJ	FIG	ITEM	REQ
4316002-16	11	OY	28	01	-001	01	4316002-2	11	M	28	02	-002	01
4316002-16	11	RP	28	01	-001	01	4316002-2	11	N	28	02	-002	01
4316002-16	11	RS	28	01	-001	01	4316002-2	11	OY	28	02	-002	01
4316002-16	11	SP	28	01	-001A	01	4316002-2	11	RP	28	02	-002	01
4316002-16	11	T7	28	01	-001	01	4316002-2	11	SP	28	02	-002A	01
4316002-16	11	VH	28	01	-001	01	4316002-2	11	T7	28	02	-002	01
4316002-16	11	YR	28	01	-001	01	4316002-2	11	VH	28	02	-002	01
4316002-17	11	C	28	01	-002	01	4316002-2	11	YR	28	02	-002	01
4316002-17	11	G	28	01	-002	01	4316002-20	11	C	32	01	-001	01
4316002-17	11	HB	28	01	-002	01	4316002-20	11	G	32	01	-001	01
4316002-17	11	HL	28	01	-002	01	4316002-20	11	HB	32	01	-001	01
4316002-17	11	LX	28	01	-002	01	4316002-20	11	HL	32	01	-002	01
4316002-17	11	M	28	01	-002	01	4316002-20	11	LX	32	01	-001	01
4316002-17	11	N	28	01	-002	01	4316002-20	11	M	32	01	-001	01
4316002-17	11	OY	28	01	-002	01	4316002-20	11	N	32	01	-002	01
4316002-17	11	RP	28	01	-002	01	4316002-20	11	OY	32	01	-001	01
4316002-17	11	RS	28	01	-002	01	4316002-20	11	RP	32	01	-001	01
4316002-17	11	SP	28	01	-002A	01	4316002-20	11	RS	32	01	-002	01
4316002-17	11	T7	28	01	-002	01	4316002-20	11	SP	32	01	-002A	01
4316002-17	11	VH	28	01	-002	01	4316002-20	11	T7	32	01	-001	01
4316002-17	11	YR	28	01	-002	01	4316002-20	11	VH	32	01	-001	01
4316002-18	11	C	38	01	-001	01	4316002-20	11	YR	32	01	-002	01
4316002-18	11	G	38	01	-075	01	4316002-200	11	C	32	01	-003	04
4316002-18	11	HB	38	01	-001	01	4316002-200	11	G	32	01	-003	04
4316002-18	11	HL	38	01	-001	01	4316002-200	11	HB	32	01	-003	04
4316002-18	11	LX	38	01	-075	01	4316002-200	11	HL	32	01	-001	04
4316002-18	11	M	38	01	-075	01	4316002-200	11	LX	32	01	-003	04
4316002-18	11	N	38	01	-001	01	4316002-200	11	M	32	01	-003	04
4316002-18	11	OY	38	01	-075	01	4316002-200	11	N	32	01	-001	04
4316002-18	11	RP	38	01	-001	01	4316002-200	11	OY	32	01	-003	04
4316002-18	11	RS	38	02	-001	01	4316002-200	11	RP	32	01	-003	04
4316002-18	11	SP	38	01	-003A	01	4316002-200	11	RS	32	01	-001	04
4316002-18	11	T7	38	01	-001	01	4316002-200	11	SP	32	01	-075A	04
4316002-18	11	VH	38	01	-001	01	4316002-200	11	T7	32	01	-003	04
4316002-18	11	YR	38	01	-001	01	4316002-200	11	VH	32	01	-003	04
4316002-19	11	C	38	01	-002	01	4316002-200	11	YR	32	01	-001	04
4316002-19	11	CR	38	01	-001	01	4316002-21	11	C	32	01	-075	01
4316002-19	11	D	38	01	-001	01	4316002-21	11	G	32	01	-075	01
4316002-19	11	F	38	01	-001	01	4316002-21	11	HB	32	01	-075	01
4316002-19	11	G	38	01	-076	01	4316002-21	11	HL	32	01	-075	01
4316002-19	11	HB	38	01	-002	01	4316002-21	11	LX	32	01	-075	01
4316002-19	11	HL	38	01	-002	01	4316002-21	11	M	32	01	-075	01
4316002-19	11	I	38	01	-001	01	4316002-21	11	N	32	01	-075	01
4316002-19	11	JA	38	01	-001	01	4316002-21	11	OY	32	01	-075	01
4316002-19	11	LQ	38	01	-001	01	4316002-21	11	RP	32	01	-075	01
4316002-19	11	LX	38	01	-076	01	4316002-21	11	RS	32	01	-075	01
4316002-19	11	M	38	01	-076	01	4316002-21	11	SP	32	01	-076A	01
4316002-19	11	N	38	01	-002	01	4316002-21	11	T7	32	01	-075	01
4316002-19	11	OK	38	01	-002	01	4316002-21	11	VH	32	01	-075	01
4316002-19	11	OY	38	01	-076	01	4316002-21	11	YR	32	01	-075	01
4316002-19	11	PP	38	01	-001	01	4316002-22	11	N	32	04	-002	NP
4316002-19	11	RP	38	01	-002	01	4316002-23	11	C	32	01	-002	01
4316002-19	11	RS	38	02	-002	01	4316002-23	11	G	32	01	-002	01
4316002-19	11	SP	38	01	-001	01	4316002-23	11	HB	32	01	-002	01
4316002-19	11	T7	38	01	-002	01	4316002-23	11	HL	32	01	-003	01
4316002-19	11	VH	38	01	-002	01	4316002-23	11	LX	32	01	-002	01
4316002-19	11	YR	38	01	-002	01	4316002-23	11	M	32	01	-002	01
4316002-2	11	C	28	02	-002	01	4316002-23	11	N	32	01	-003	01
4316002-2	11	G	28	02	-002	01	4316002-23	11	OY	32	01	-002	01
4316002-2	11	HB	28	02	-002	01	4316002-23	11	RP	32	01	-002	01
4316002-2	11	HL	28	02	-002	01	4316002-23	11	RS	32	01	-003	01
4316002-2	11	LX	28	02	-002	01	4316002-23	11	SP	32	01	-001A	01



CESSNA®  
**MODEL 525 (SERIALS -0685 AND -0800 AND ON)**  
 ILLUSTRATED PARTS CATALOG

PART NUMBER	CH	SEC	SUBJ	FIG	ITEM	REQ	PART NUMBER	CH	SEC	SUBJ	FIG	ITEM	REQ
4316002-23	11	T7	32-01		-002	01	4316002-26	11	SP	38-02		-001	01
4316002-23	11	VH	32-01		-002	01	4316002-26	11	T7	38-02		-002	01
4316002-23	11	YR	32-01		-003	01	4316002-26	11	VH	38-02		-002	01
4316002-24	11	C	32-01		-077	01	4316002-26	11	YR	38-02		-002	01
4316002-24	11	C	32-02		-001	01	4316002-27	11	C	38-02		-001	01
4316002-24	11	G	32-01		-077	01	4316002-27	11	G	38-02		-001	01
4316002-24	11	G	32-02		-001	01	4316002-27	11	HB	38-02		-001	01
4316002-24	11	HB	32-01		-076	01	4316002-27	11	HL	38-02		-001	01
4316002-24	11	HB	32-02		-001	01	4316002-27	11	LX	38-02		-001	01
4316002-24	11	HL	32-01		-076	01	4316002-27	11	M	38-02		-001	01
4316002-24	11	HL	32-02		-001	01	4316002-27	11	N	38-02		-001	01
4316002-24	11	LX	32-01		-077	01	4316002-27	11	OY	38-02		-001	01
4316002-24	11	LX	32-02		-001	01	4316002-27	11	RP	38-02		-001	01
4316002-24	11	M	32-01		-077	01	4316002-27	11	RS	38-03		-001	01
4316002-24	11	M	32-02		-001	01	4316002-27	11	SP	38-02		-002A	01
4316002-24	11	N	32-01		-077	01	4316002-27	11	T7	38-02		-001	01
4316002-24	11	N	32-02		-001	01	4316002-27	11	VH	38-02		-001	01
4316002-24	11	OY	32-01		-077	01	4316002-27	11	YR	38-02		-001	01
4316002-24	11	OY	32-02		-001	01	4316002-28	11	C	32-04		-002	02
4316002-24	11	RP	32-01		-076	01	4316002-28	11	G	32-04		-002	02
4316002-24	11	RP	32-02		-001	01	4316002-28	11	HB	32-04		-002	02
4316002-24	11	RS	32-01		-077	01	4316002-28	11	HL	32-04		-002	02
4316002-24	11	RS	32-02		-001	01	4316002-28	11	I	32-04		-005	02
4316002-24	11	SP	32-01		-003A	01	4316002-28	11	LX	32-04		-002	02
4316002-24	11	T7	32-01		-077	01	4316002-28	11	M	32-04		-002	02
4316002-24	11	T7	32-02		-001	01	4316002-28	11	N	32-04		-003	02
4316002-24	11	VH	32-01		-077	01	4316002-28	11	OY	32-04		-002	02
4316002-24	11	VH	32-02		-001	01	4316002-28	11	RP	32-04		-002	02
4316002-24	11	YR	32-01		-076	01	4316002-28	11	RS	32-03		-003	02
4316002-24	11	YR	32-02		-001	01	4316002-28	11	SP	32-04		-002A	02
4316002-25	11	C	33-02		-001	01	4316002-28	11	T7	32-04		-002	02
4316002-25	11	G	33-02		-001	01	4316002-28	11	VH	32-04		-002	02
4316002-25	11	HB	33-02		-001	01	4316002-28	11	YR	32-04		-002	02
4316002-25	11	HL	33-02		-001	01	4316002-29	11	C	33-02		-003	01
4316002-25	11	LX	33-02		-001	01	4316002-29	11	G	33-02		-003	01
4316002-25	11	M	33-02		-001	01	4316002-29	11	HB	33-02		-003	01
4316002-25	11	N	33-02		-001	01	4316002-29	11	HL	33-02		-003	01
4316002-25	11	OY	33-02		-001	01	4316002-29	11	LX	33-02		-003	01
4316002-25	11	RP	33-02		-001	01	4316002-29	11	M	33-02		-003	01
4316002-25	11	RS	33-02		-001	01	4316002-29	11	N	33-02		-003	01
4316002-25	11	SP	33-02		-003	01	4316002-29	11	OY	33-02		-003	01
4316002-25	11	T7	33-02		-001	01	4316002-29	11	RP	33-02		-003	01
4316002-25	11	VH	33-02		-001	01	4316002-29	11	RS	33-02		-003	01
4316002-25	11	YR	33-02		-001	01	4316002-29	11	SP	33-02		-004A	01
4316002-26	11	C	38-02		-002	01	4316002-29	11	T7	33-02		-003	01
4316002-26	11	CR	38-02		-001	01	4316002-29	11	VH	33-02		-003	01
4316002-26	11	D	38-02		-001	01	4316002-29	11	YR	33-02		-003	01
4316002-26	11	F	38-02		-002	01	4316002-30	11	C	33-01		-001	01
4316002-26	11	G	38-02		-002	01	4316002-30	11	D	33-01		-001	01
4316002-26	11	HB	38-02		-002	01	4316002-30	11	F	33-01		-001	01
4316002-26	11	HL	38-02		-002	01	4316002-30	11	G	33-01		-001	01
4316002-26	11	I	38-02		-001	01	4316002-30	11	HB	33-01		-001	01
4316002-26	11	JA	38-02		-001	01	4316002-30	11	HL	33-01		-001	01
4316002-26	11	LQ	38-02		-001	01	4316002-30	11	I	33-01		-001	01
4316002-26	11	LX	38-02		-002	01	4316002-30	11	JA	33-01		-001	01
4316002-26	11	M	38-02		-002	01	4316002-30	11	LX	33-01		-001	01
4316002-26	11	N	38-02		-002	01	4316002-30	11	M	33-01		-001	01
4316002-26	11	OK	38-02		-002	01	4316002-30	11	N	33-01		-001	01
4316002-26	11	OY	38-02		-002	01	4316002-30	11	OK	33-01		-001	01
4316002-26	11	PP	38-02		-001	01	4316002-30	11	OY	33-01		-001	01
4316002-26	11	RP	38-02		-002	01	4316002-30	11	RP	33-01		-001	01
4316002-26	11	RS	38-03		-002	01	4316002-30	11	RS	33-01		-001	01

CESSNA®  
**MODEL 525 (SERIALS -0685 AND -0800 AND ON)**  
 ILLUSTRATED PARTS CATALOG

PART NUMBER	CH SEC SUBJ FIG	ITEM	REQ	PART NUMBER	CH SEC SUBJ FIG	ITEM	REQ
4316002-30	11-SP-33-01	-001	01	4316002-32	11-VH-32-01	-079	01
4316002-30	11-T7-33-01	-001	01	4316002-32	11-VH-32-04	-003	04
4316002-30	11-VH-33-01	-001	01	4316002-32	11-VH-33-01	-003	01
4316002-30	11-YR-33-01	-001	01	4316002-32	11-YR-32-01	-078	01
4316002-31	25-20-00-01	-010	01	4316002-32	11-YR-32-04	-003	04
4316002-32	11-C-32-01	-079	01	4316002-32	11-YR-33-01	-003	01
4316002-32	11-C-32-04	-003	04	4316002-33	11-C-33-01	-004	01
4316002-32	11-C-33-01	-003	01	4316002-33	11-CR-33-01	-005	01
4316002-32	11-CR-32-01	-077	01	4316002-33	11-D-33-01	-005	01
4316002-32	11-CR-32-04	-005	04	4316002-33	11-F-33-01	-005	01
4316002-32	11-CR-33-01	-004	01	4316002-33	11-G-33-01	-004	01
4316002-32	11-D-32-01	-079	01	4316002-33	11-HB-33-01	-004	01
4316002-32	11-D-32-04	-004	04	4316002-33	11-HL-33-01	-004	01
4316002-32	11-D-33-01	-004	01	4316002-33	11-I-33-01	-079	01
4316002-32	11-F-32-01	-152	01	4316002-33	11-JA-33-01	-005	01
4316002-32	11-F-32-04	-001	04	4316002-33	11-LX-33-01	-004	01
4316002-32	11-F-33-01	-004	01	4316002-33	11-M-33-01	-004	01
4316002-32	11-G-32-01	-079	01	4316002-33	11-N-33-01	-004	01
4316002-32	11-G-32-04	-003	04	4316002-33	11-OK-33-01	-005	01
4316002-32	11-G-33-01	-003	01	4316002-33	11-OY-33-01	-004	01
4316002-32	11-HB-32-01	-078	01	4316002-33	11-PP-33-01	-006	01
4316002-32	11-HB-32-04	-003	04	4316002-33	11-RP-33-01	-004	01
4316002-32	11-HB-33-01	-003	01	4316002-33	11-RS-33-01	-004	01
4316002-32	11-HL-32-01	-078	01	4316002-33	11-SP-33-01	-004	01
4316002-32	11-HL-32-04	-003	04	4316002-33	11-T7-33-01	-004	01
4316002-32	11-HL-33-01	-003	01	4316002-33	11-VH-33-01	-004	01
4316002-32	11-I-32-01	-151	01	4316002-33	11-YR-33-01	-004	01
4316002-32	11-I-32-04	-075	01	4316002-34	11-C-32-02	-003	01
4316002-32	11-I-33-01	-080	01	4316002-34	11-CR-32-02	-001	01
4316002-32	11-JA-32-01	-001	01	4316002-34	11-D-32-02	-003	01
4316002-32	11-JA-32-04	-001	04	4316002-34	11-F-32-02	-005	01
4316002-32	11-JA-33-01	-004	01	4316002-34	11-G-32-02	-003	01
4316002-32	11-LX-32-01	-079	01	4316002-34	11-HB-32-02	-003	01
4316002-32	11-LX-32-04	-003	04	4316002-34	11-HL-32-02	-003	01
4316002-32	11-LX-33-01	-003	01	4316002-34	11-I-32-02	-003	01
4316002-32	11-M-32-01	-079	01	4316002-34	11-JA-32-02	-003	01
4316002-32	11-M-32-04	-003	04	4316002-34	11-LX-32-02	-003	01
4316002-32	11-M-33-01	-003	01	4316002-34	11-M-32-02	-003	01
4316002-32	11-N-32-01	-079	01	4316002-34	11-N-32-02	-003	01
4316002-32	11-N-32-04	-004	04	4316002-34	11-OK-32-02	-003	01
4316002-32	11-N-33-01	-003	01	4316002-34	11-OY-32-02	-003	01
4316002-32	11-OK-32-01	-078	01	4316002-34	11-PP-32-02	-005	01
4316002-32	11-OK-32-04	-003	04	4316002-34	11-RP-32-02	-003	01
4316002-32	11-OK-33-01	-004	01	4316002-34	11-RS-32-02	-003	01
4316002-32	11-OY-32-01	-079	01	4316002-34	11-SP-32-02	-001	01
4316002-32	11-OY-32-04	-003	04	4316002-34	11-T7-32-02	-003	01
4316002-32	11-OY-33-01	-003	01	4316002-34	11-VH-32-02	-003	01
4316002-32	11-PP-32-01	-150	01	4316002-34	11-YR-32-02	-003	01
4316002-32	11-PP-32-04	-001	04	4316002-35	11-C-31-04	-001	01
4316002-32	11-PP-33-01	-005	01	4316002-35	11-CR-31-04	-001	01
4316002-32	11-RP-32-01	-078	01	4316002-35	11-D-31-04	-001	01
4316002-32	11-RP-32-04	-003	04	4316002-35	11-F-31-04	-001	01
4316002-32	11-RP-33-01	-003	01	4316002-35	11-G-31-04	-001	01
4316002-32	11-RS-32-01	-079	01	4316002-35	11-HB-31-04	-001	01
4316002-32	11-RS-32-03	-004	04	4316002-35	11-HL-31-04	-001	01
4316002-32	11-RS-33-01	-003	01	4316002-35	11-I-31-04	-001	01
4316002-32	11-SP-32-01	-078	01	4316002-35	11-JA-31-04	-001	01
4316002-32	11-SP-32-04	-003	01	4316002-35	11-LX-31-04	-001	01
4316002-32	11-SP-33-01	-005	01	4316002-35	11-M-31-04	-001	01
4316002-32	11-T7-32-01	-079	01	4316002-35	11-N-31-04	-002	01
4316002-32	11-T7-32-04	-003	04	4316002-35	11-OK-31-04	-001	01
4316002-32	11-T7-33-01	-003	01	4316002-35	11-OY-31-04	-001	01

CESSNA®  
**MODEL 525 (SERIALS -0685 AND -0800 AND ON)**  
 ILLUSTRATED PARTS CATALOG

PART NUMBER	CH SEC SUBJ FIG	ITEM	REQ	PART NUMBER	CH SEC SUBJ FIG	ITEM	REQ
4316002-35	11-PP-31-04	-001	01	4316002-40	11-N-31-05	-001	01
4316002-35	11-RP-31-04	-001	01	4316002-40	11-OK-31-05	-001	01
4316002-35	11-RS-31-01	-002	01	4316002-40	11-OY-31-05	-001	01
4316002-35	11-SP-31-04	-001	01	4316002-40	11-PP-31-05	-001	01
4316002-35	11-T7-31-04	-001	01	4316002-40	11-RP-31-05	-001	01
4316002-35	11-VH-31-04	-001	01	4316002-40	11-RS-31-02	-001	01
4316002-35	11-YR-31-04	-001	01	4316002-40	11-SP-31-05	-001	01
4316002-36	11-C-33-01	-002	01	4316002-40	11-T7-31-05	-001	01
4316002-36	11-D-33-01	-002	01	4316002-40	11-VH-31-05	-001	01
4316002-36	11-F-33-01	-002	01	4316002-40	11-YR-31-05	-001	01
4316002-36	11-G-33-01	-002	01	4316002-41	11-C-33-02	-002	01
4316002-36	11-HB-33-01	-002	01	4316002-41	11-G-33-02	-002	01
4316002-36	11-HL-33-01	-002	01	4316002-41	11-HB-33-02	-002	01
4316002-36	11-I-33-01	-002	01	4316002-41	11-HL-33-02	-002	01
4316002-36	11-JA-33-01	-002	01	4316002-41	11-LX-33-02	-002	01
4316002-36	11-LQ-33-01	-004	01	4316002-41	11-M-33-02	-002	01
4316002-36	11-LX-33-01	-002	01	4316002-41	11-N-33-02	-002	01
4316002-36	11-M-33-01	-002	01	4316002-41	11-OY-33-02	-002	01
4316002-36	11-N-33-01	-002	01	4316002-41	11-RP-33-02	-002	01
4316002-36	11-OK-33-01	-002	01	4316002-41	11-RS-33-02	-002	01
4316002-36	11-OY-33-01	-002	01	4316002-41	11-SP-33-02	-002A	01
4316002-36	11-PP-33-01	-004	01	4316002-41	11-T7-33-02	-002	01
4316002-36	11-RP-33-01	-002	01	4316002-41	11-VH-33-02	-002	01
4316002-36	11-RS-33-01	-002	01	4316002-41	11-YR-33-02	-002	01
4316002-36	11-SP-33-01	-002	01	4316002-42	11-C-33-01	-075	01
4316002-36	11-T7-33-01	-002	01	4316002-42	11-G-33-01	-075	01
4316002-36	11-VH-33-01	-002	01	4316002-42	11-HB-33-01	-075	01
4316002-36	11-YR-33-01	-002	01	4316002-42	11-HL-33-01	-075	01
4316002-38	11-C-31-04	-002	02	4316002-42	11-LX-33-01	-075	01
4316002-38	11-CR-31-04	-002	02	4316002-42	11-M-33-01	-075	01
4316002-38	11-D-31-04	-002	02	4316002-42	11-N-33-01	-075	01
4316002-38	11-F-31-04	-002	02	4316002-42	11-OY-33-01	-075	01
4316002-38	11-G-31-04	-002	02	4316002-42	11-RP-33-01	-075	01
4316002-38	11-HB-31-04	-002	02	4316002-42	11-RS-33-01	-075	01
4316002-38	11-HL-31-04	-002	02	4316002-42	11-SP-33-02	-005A	01
4316002-38	11-I-31-04	-002	02	4316002-42	11-T7-33-01	-075	01
4316002-38	11-JA-31-04	-002	02	4316002-42	11-VH-33-01	-075	01
4316002-38	11-LX-31-04	-002	02	4316002-42	11-YR-33-01	-075	01
4316002-38	11-M-31-04	-002	02	4316002-43	11-C-33-01	-076	01
4316002-38	11-N-31-04	-003	02	4316002-43	11-G-33-01	-076	01
4316002-38	11-OK-31-04	-002	02	4316002-43	11-LX-33-01	-076	01
4316002-38	11-OY-31-04	-002	02	4316002-43	11-M-33-01	-076	01
4316002-38	11-PP-31-04	-002	02	4316002-43	11-N-33-01	-076	01
4316002-38	11-RP-31-04	-002	02	4316002-43	11-OY-33-01	-076	01
4316002-38	11-RS-31-01	-003	01	4316002-43	11-RS-33-01	-076	01
4316002-38	11-SP-31-04	-002	02	4316002-43	11-T7-33-01	-076	01
4316002-38	11-T7-31-04	-002	02	4316002-43	11-VH-33-01	-076	01
4316002-38	11-VH-31-04	-002	02	4316002-44	11-C-32-01	-076	01
4316002-38	11-YR-31-04	-002	02	4316002-44	11-G-32-01	-076	01
4316002-39	11-I-32-04	-003	02	4316002-44	11-LX-32-01	-076	01
4316002-39	11-N-32-04	-001	NP	4316002-44	11-M-32-01	-076	01
4316002-40	11-C-31-05	-001	01	4316002-44	11-N-32-01	-076	01
4316002-40	11-CR-31-05	-001	01	4316002-44	11-OY-32-01	-076	01
4316002-40	11-D-31-05	-001	01	4316002-44	11-RS-32-01	-076	01
4316002-40	11-F-31-05	-001	01	4316002-44	11-T7-32-01	-076	01
4316002-40	11-G-31-05	-001	01	4316002-44	11-VH-32-01	-076	01
4316002-40	11-HB-31-05	-001	01	4316002-45	11-C-33-01	-077	01
4316002-40	11-HL-31-05	-001	01	4316002-45	11-G-33-01	-077	01
4316002-40	11-I-31-05	-001	01	4316002-45	11-LX-33-01	-077	01
4316002-40	11-JA-31-05	-001	01	4316002-45	11-M-33-01	-077	01
4316002-40	11-LX-31-05	-001	01	4316002-45	11-N-33-01	-077	01
4316002-40	11-M-31-05	-001	01	4316002-45	11-OY-33-01	-077	01

CESSNA®  
**MODEL 525 (SERIALS -0685 AND -0800 AND ON)**  
 ILLUSTRATED PARTS CATALOG

PART NUMBER	CH	SEC	SUBJ	FIG	ITEM	REQ	PART NUMBER	CH	SEC	SUBJ	FIG	ITEM	REQ
4316002-45	11	RS	33	01	-077	01	4316003-1	11	F	28	02	-001	01
4316002-45	11	T7	33	01	-077	01	4316003-10	11	F	28	01	-001	01
4316002-45	11	VH	33	01	-077	01	4316003-11	11	F	28	01	-002	01
4316002-46	11	C	32	04	-001	02	4316003-12	11	F	28	01	-003	01
4316002-46	11	G	32	04	-001	02	4316003-13	11	F	32	01	-002	01
4316002-46	11	LX	32	04	-001	02	4316003-14	11	F	32	01	-075	02
4316002-46	11	M	32	04	-001	02	4316003-15	11	F	38	01	-002	01
4316002-46	11	N	32	04	-001A	02	4316003-16	11	F	32	01	-001	01
4316002-46	11	OY	32	04	-001	02	4316003-17	11	F	32	01	-078	01
4316002-46	11	RS	32	03	-001	02	4316003-18	11	F	33	02	-001	01
4316002-46	11	T7	32	04	-001	02	4316003-19	11	F	33	02	-002	01
4316002-46	11	VH	32	04	-001	02	4316003-2	11	F	28	02	-002	01
4316002-47	11	C	32	04	-001A	02	4316003-20	11	F	38	02	-001	01
4316002-47	11	G	32	04	-001A	02	4316003-200	11	F	32	02	-006	04
4316002-47	11	HB	32	04	-001	02	4316003-21	11	F	33	01	-003	01
4316002-47	11	HL	32	04	-001	02	4316003-22	11	F	32	01	-150	01
4316002-47	11	LX	32	04	-001A	02	4316003-23	11	F	32	01	-151	01
4316002-47	11	M	32	04	-001A	02	4316003-24	11	F	32	02	-001	01
4316002-47	11	N	32	04	-002A	02	4316003-25	11	F	32	02	-002	01
4316002-47	11	OY	32	04	-001A	02	4316003-26	11	F	32	02	-003	01
4316002-47	11	RP	32	04	-001	02	4316003-27	11	F	32	02	-004	01
4316002-47	11	RS	32	03	-002	02	4316003-28	11	F	32	01	-076	02
4316002-47	11	SP	32	04	-001A	02	4316003-29	11	F	32	01	-077	02
4316002-47	11	T7	32	04	-001A	02	4316003-30	11	F	38	01	-003	01
4316002-47	11	VH	32	04	-001A	02	4316005-1	11	CR	28	02	-001	01
4316002-47	11	YR	32	04	-001	02	4316005-1	11	PP	28	02	-001	01
4316002-8	11	C	31	05	-002	01	4316005-12	11	CR	32	01	-001	01
4316002-8	11	C	32	01	-150	01	4316005-13	11	CR	32	01	-002	01
4316002-8	11	CR	31	05	-002	01	4316005-14	11	CR	33	01	-077	01
4316002-8	11	CR	32	01	-150	01	4316005-15	11	CR	33	01	-001	01
4316002-8	11	D	31	05	-002	01	4316005-16	11	CR	32	04	-003	02
4316002-8	11	D	32	01	-150	01	4316005-17	11	CR	32	01	-076	01
4316002-8	11	F	31	05	-002	01	4316005-18	11	CR	32	01	-075	01
4316002-8	11	G	31	05	-002	01	4316005-19	11	CR	33	02	-002	01
4316002-8	11	G	32	01	-150	01	4316005-2	11	CR	28	02	-002	01
4316002-8	11	HB	31	05	-002	01	4316005-20	11	CR	33	02	-001	01
4316002-8	11	HB	32	01	-150	01	4316005-200	11	CR	32	04	-004	04
4316002-8	11	HL	31	05	-002	01	4316005-21	11	CR	33	01	-076	01
4316002-8	11	I	31	05	-002	01	4316005-22	11	CR	33	01	-075	01
4316002-8	11	I	32	01	-150	01	4316005-23	11	CR	33	01	-078	01
4316002-8	11	JA	31	05	-002	01	4316005-24	11	CR	38	01	-002	01
4316002-8	11	LX	31	05	-002	01	4316005-25	11	CR	38	01	-003	01
4316002-8	11	LX	32	01	-150	01	4316005-26	11	CR	28	01	-001	01
4316002-8	11	M	31	05	-002	01	4316005-27	11	CR	28	01	-002	01
4316002-8	11	M	32	01	-150	01	4316005-28	11	CR	32	04	-001	02
4316002-8	11	N	31	05	-002	01	4316005-29	11	CR	32	04	-002	02
4316002-8	11	OK	31	05	-002	01	4316006-200	11	JA	32	01	-075	04
4316002-8	11	OK	32	01	-150	01	4316007-10	11	D	38	01	-002	01
4316002-8	11	OY	31	05	-002	01	4316007-11	11	D	33	02	-001	01
4316002-8	11	OY	32	01	-150	01	4316007-12	11	D	33	01	-003	01
4316002-8	11	PP	31	05	-002	01	4316007-13	11	D	33	01	-076	01
4316002-8	11	PP	32	01	-151	01	4316007-14	11	D	32	01	-076	01
4316002-8	11	RP	31	05	-002	01	4316007-15	11	D	28	01	-003	01
4316002-8	11	RP	32	01	-150	01	4316007-16	11	D	28	01	-001	01
4316002-8	11	RS	31	02	-002	01	4316007-17	11	D	28	01	-002	01
4316002-8	11	SP	31	05	-002	01	4316007-18	11	D	38	01	-003	01
4316002-8	11	SP	32	01	-077	01	4316007-19	11	D	32	04	-001	02
4316002-8	11	T7	31	05	-002	01	4316007-20	11	D	32	01	-001	01
4316002-8	11	T7	32	01	-150	01	4316007-200	11	D	32	01	-003	04
4316002-8	11	VH	31	05	-002	01	4316007-21	11	D	32	01	-075	01
4316002-8	11	VH	32	01	-150	01	4316007-22	11	D	33	01	-076A	01
4316002-8	11	YR	31	05	-002	01	4316007-23	11	D	32	01	-002	01

CESSNA®  
**MODEL 525 (SERIALS -0685 AND -0800 AND ON)**  
 ILLUSTRATED PARTS CATALOG

PART NUMBER	CH SEC SUBJ FIG	ITEM	REQ	PART NUMBER	CH SEC SUBJ FIG	ITEM	REQ
4316007-24	11-D-32-01	-077	01	4316017-17	11-SP-33-02	-001	01
4316007-24	11-D-32-02	-001	01	4316017-18	11-SP-33-02	-002	01
4316007-25	11-D-33-02	-002	01	4316017-19	11-SP-33-02	-004	01
4316007-26	11-D-32-04	-003	02	4316017-2	11-SP-28-02	-002	01
4316007-27	11-D-38-02	-002	01	4316017-20	11-SP-33-02	-005	01
4316007-28	11-D-33-01	-075	01	4316017-200	11-SP-32-01	-075	04
4316007-29	11-D-33-01	-075A	01	4316017-21	11-SP-33-01	-003	01
4316007-30	11-D-32-04	-002	02	4316017-22	11-SP-38-02	-002	01
4316007-6	11-D-28-02	-001	01	4316017-23	11-SP-28-01	-003	01
4316007-7	11-D-28-02	-002	01	4316017-24	11-SP-28-01	-001	01
4316008-1	11-PP-28-02	-002	01	4316017-25	11-SP-28-01	-002	01
4316008-12	11-PP-28-01	-003	01	4316017-26	11-SP-32-01	-076	01
4316008-13	11-PP-28-01	-001	01	4316017-27	11-SP-32-04	-002	02
4316008-14	11-CR-28-01	-003	01	4316017-28	11-SP-32-04	-001	02
4316008-14	11-PP-28-01	-002	01	4316017-29	11-SP-32-01	-003	01
4316008-15	11-PP-38-01	-003	01	4316017-30	11-SP-38-01	-002	01
4316008-16	11-PP-38-01	-002	01	4316017-31	11-SP-38-01	-003	01
4316008-17	11-CR-32-01	-003	01	4316018-10	11-LQ-28-01	-003	01
4316008-17	11-CR-32-02	-002	01	4316018-11	11-LQ-28-01	-001	01
4316008-17	11-PP-32-01	-005	01	4316018-12	11-LQ-28-01	-002	01
4316008-17	11-PP-32-02	-001	01	4316018-13	11-LQ-38-01	-003	01
4316008-18	11-PP-32-01	-002	01	4316018-14	11-LQ-38-01	-002	01
4316008-19	11-PP-32-01	-001	01	4316018-15	11-LQ-32-01	-002	01
4316008-20	11-PP-32-01	-004	01	4316018-16	11-LQ-32-01	-076	01
4316008-200	11-PP-32-01	-075	04	4316018-17	11-LQ-32-01	-075	01
4316008-21	11-PP-32-01	-003	01	4316018-18	11-LQ-32-01	-077	02
4316008-22	11-PP-32-01	-076	02	4316018-19	11-LQ-32-01	-079	02
4316008-23	11-PP-32-01	-078	02	4316018-20	11-LQ-32-01	-078	02
4316008-24	11-PP-32-01	-077	02	4316018-21	11-LQ-32-01	-001	01
4316008-25	11-PP-32-02	-003	01	4316018-22	11-LQ-32-01	-003	01
4316008-26	11-PP-32-02	-004	01	4316018-22	11-LQ-32-02	-001	01
4316008-27	11-PP-32-02	-078	01	4316018-23	11-LQ-32-01	-080	04
4316008-28	11-PP-32-02	-077	01	4316018-24	11-CR-38-02	-002	01
4316008-29	11-PP-32-02	-076	01	4316018-24	11-LQ-38-02	-002	01
4316008-30	11-PP-32-02	-075	01	4316018-24	11-PP-38-02	-002	01
4316008-31	11-PP-33-01	-003	01	4316018-25	11-LQ-32-02	-003	01
4316008-32	11-PP-33-01	-002	01	4316018-26	11-LQ-32-02	-004	01
4316008-33	11-PP-33-01	-001	01	4316018-27	11-LQ-32-02	-075	01
4316015-10	11-OK-28-01	-002	01	4316018-28	11-LQ-32-02	-076	01
4316015-13	11-OK-32-01	-001	01	4316018-29	11-LQ-32-02	-077	01
4316015-14	11-OK-32-01	-002	01	4316018-30	11-LQ-32-02	-078	01
4316015-15	11-OK-33-02	-002	01	4316018-31	11-LQ-33-01	-003	01
4316015-16	11-OK-33-02	-001	01	4316018-32	11-LQ-33-01	-002	01
4316015-17	11-OK-33-02	-003	01	4316018-33	11-LQ-33-01	-001	01
4316015-18	11-OK-33-01	-075	01	4316018-8	11-LQ-28-02	-002	01
4316015-19	11-OK-33-01	-003	01	4316018-9	11-LQ-28-02	-001	01
4316015-20	11-OK-38-02	-001	01	4316020-12	11-9A-28-01	-002	01
4316015-200	11-OK-32-01	-003	04	4316020-12	11-RS-28-02	-001	01
4316015-21	11-OK-28-01	-003	01	4316020-2	11-9A-28-01	-001	01
4316015-22	11-OK-32-01	-075	01	4316020-2	11-RS-28-02	-002	01
4316015-23	11-OK-32-04	-002	02	4316021-1	11-I-28-02	-001	01
4316015-24	11-OK-32-04	-001	02	4316021-16	11-I-33-01	-003	01
4316015-25	11-OK-32-01	-076	01	4316021-17	11-I-32-04	-001	02
4316015-25	11-OK-32-02	-001	01	4316021-18	11-I-32-04	-002	02
4316015-26	11-OK-38-01	-003	01	4316021-19	11-I-32-04	-004	02
4316015-27	11-OK-38-01	-001	01	4316021-2	11-I-28-02	-002	01
4316015-7	11-OK-28-02	-001	01	4316021-20	11-I-28-01	-001	01
4316015-8	11-OK-28-02	-002	01	4316021-200	11-I-32-01	-077	04
4316015-9	11-OK-28-01	-001	01	4316021-21	11-I-28-01	-002	01
4316017-1	11-SP-28-02	-001	01	4316021-22	11-I-28-01	-003	01
4316017-15	11-SP-32-01	-002	01	4316021-23	11-I-33-01	-077	01
4316017-16	11-SP-32-01	-001	01	4316021-24	11-I-33-01	-078	01

CESSNA®  
**MODEL 525 (SERIALS -0685 AND -0800 AND ON)**  
 ILLUSTRATED PARTS CATALOG

PART NUMBER	CH	SEC	SUBJ	FIG	ITEM	REQ	PART NUMBER	CH	SEC	SUBJ	FIG	ITEM	REQ
4316021-25	11	I	32	01	-078	01	4416000-172	11	OY	28	01	-004	01
4316021-26	11	I	32	01	-079	01	4416000-172	11	RP	28	01	-004	01
4316021-27	11	I	32	01	-001	01	4416000-172	11	RS	28	01	-004	01
4316021-28	11	I	32	01	-002	01	4416000-172	11	SP	28	01	-004	01
4316021-29	11	I	38	01	-002	01	4416000-172	11	T7	28	01	-004	01
4316021-30	11	I	38	01	-003	01	4416000-172	11	VH	28	01	-004	01
4316021-31	11	I	32	01	-075	01	4416000-172	11	YR	28	01	-004	01
4316021-31	11	I	32	02	-001	01	4416001-31	11	C	22	02	-002	01
4316021-32	11	I	33	01	-075	01	4416001-31	11	CR	22	02	-002	01
4316021-33	11	I	33	02	-001	01	4416001-31	11	D	22	02	-002	01
4316021-34	11	I	33	02	-002	01	4416001-31	11	F	22	02	-002	01
4316021-35	11	I	38	02	-002	01	4416001-31	11	G	22	02	-002	01
4316021-36	11	I	33	01	-076	01	4416001-31	11	HB	22	02	-002	01
4319060-34	25	11	00	01	-011	01	4416001-31	11	HL	22	02	-002	01
4319060-46	25	11	00	01	-014	01	4416001-31	11	I	22	02	-004	01
4319060-47	25	11	00	01	-009	02	4416001-31	11	JA	22	02	-002	01
4319060-48	25	11	00	01	-005	01	4416001-31	11	LX	22	02	-002	01
4319060-52	25	11	00	01	-019	01	4416001-31	11	M	22	02	-002	01
4319060-55	25	11	00	01	-008	01	4416001-31	11	OK	22	02	-002	01
4319060-56	25	11	00	01	-015	01	4416001-31	11	OY	22	02	-002	01
4319060-57	25	11	00	01	-010	01	4416001-31	11	PP	22	01	-151	01
4319060-59	25	11	00	01	-017	01	4416001-31	11	RP	22	02	-002	01
4319060-60	25	11	00	01	-012	02	4416001-31	11	SP	22	02	-002	01
4319060-63	25	11	00	01	-007	01	4416001-31	11	T7	22	02	-002	01
4319060-64	25	11	00	01	-020	01	4416001-31	11	VH	22	02	-002	01
4319133-100	25	20	05	01	-083	01	4416001-31	11	YR	22	02	-002	01
4319240-1	25	20	05	01	-392	01	4416001-32	11	C	22	02	-001	02
4319240-2	25	20	05	01	-393	01	4416001-32	11	CR	22	02	-001	02
4319240-3	25	20	05	01	-398	01	4416001-32	11	D	22	02	-001	02
4319240-5	25	20	05	01	-399	01	4416001-32	11	F	22	02	-001	02
4416000-153	11	CR	33	01	-003	01	4416001-32	11	G	22	02	-001	02
4416000-163	11	C	23	01	-001	02	4416001-32	11	HB	22	02	-001	02
4416000-163	11	CR	23	01	-001	02	4416001-32	11	HL	22	02	-001	02
4416000-163	11	D	23	01	-001	02	4416001-32	11	I	22	02	-003	02
4416000-163	11	F	23	01	-001	02	4416001-32	11	JA	22	02	-001	02
4416000-163	11	G	23	01	-001	02	4416001-32	11	LX	22	02	-001	02
4416000-163	11	HB	23	01	-001	02	4416001-32	11	M	22	02	-001	02
4416000-163	11	HL	23	01	-001	02	4416001-32	11	N	22	02	-001	02
4416000-163	11	I	23	01	-001	02	4416001-32	11	OK	22	02	-001	02
4416000-163	11	LX	23	01	-001	02	4416001-32	11	OY	22	02	-001	02
4416000-163	11	M	23	01	-001	02	4416001-32	11	PP	22	01	-150	02
4416000-163	11	N	23	01	-001	02	4416001-32	11	RP	22	02	-001	02
4416000-163	11	OK	23	01	-001	02	4416001-32	11	RS	22	01	-001	02
4416000-163	11	OY	23	01	-001	02	4416001-32	11	SP	22	02	-001	02
4416000-163	11	RP	23	01	-001	02	4416001-32	11	T7	22	02	-001	02
4416000-163	11	RS	23	01	-001	02	4416001-32	11	VH	22	02	-001	02
4416000-163	11	SP	23	01	-001	02	4416001-32	11	YR	22	02	-001	02
4416000-163	11	T7	23	01	-001	02	4416002-56	11	CR	33	01	-002	01
4416000-163	11	VH	23	01	-001	02	4416002-92	11	G	28	01	-005	01
4416000-163	11	YR	23	01	-001	02	4416004-58	11	C	23	02	-001	01
4416000-172	11	C	28	01	-004	01	4416004-58	11	CR	23	02	-001	01
4416000-172	11	D	28	01	-004	01	4416004-58	11	D	23	02	-001	01
4416000-172	11	F	28	01	-004	01	4416004-58	11	F	23	02	-001	01
4416000-172	11	G	28	01	-004	01	4416004-58	11	G	23	02	-001	01
4416000-172	11	HB	28	01	-004	01	4416004-58	11	HB	23	02	-001	01
4416000-172	11	HL	28	01	-004	01	4416004-58	11	HL	23	02	-001	01
4416000-172	11	I	28	01	-004	01	4416004-58	11	I	23	02	-001	01
4416000-172	11	JA	28	01	-004	01	4416004-58	11	LX	23	02	-001	01
4416000-172	11	LX	28	01	-004	01	4416004-58	11	M	23	02	-001	01
4416000-172	11	M	28	01	-004	01	4416004-58	11	N	23	02	-001	01
4416000-172	11	N	28	01	-004	01	4416004-58	11	OK	23	02	-001	01
4416000-172	11	OK	28	01	-004	01	4416004-58	11	OY	23	02	-001	01

CESSNA®  
**MODEL 525 (SERIALS -0685 AND -0800 AND ON)**  
 ILLUSTRATED PARTS CATALOG

PART NUMBER	CH	SEC	SUBJ	FIG	ITEM	REQ	PART NUMBER	CH	SEC	SUBJ	FIG	ITEM	REQ
4416004-58	11	RP	23	02	-001	01	4619409-7	25	20	05	01	-312	01
4416004-58	11	RS	23	02	-001	01	4619409-8	25	20	05	01	-313	01
4416004-58	11	SP	23	02	-001	01	4708103-1	44	20	00	01	-006	01
4416004-58	11	T7	23	02	-001	01	4708103-2	44	20	00	01	-006A	01
4416004-58	11	VH	23	02	-001	01	4710089-10	25	12	00	01	-016	01
4416004-58	11	YR	23	02	-001	01	4710089-11	25	12	00	01	-018	01
4416070-101	11	LQ	38	02	-003	01	4710089-12	25	12	00	01	-017	02
4416090-64	11	OK	32	01	-151	01	4710089-13	25	12	00	01	-001	01
4416090-64	11	OK	38	02	-003	01	4710089-14	25	12	00	01	-002	01
4416138-1	11	JA	28	02	-001	01	4710089-15	25	12	00	01	-005	01
4416138-134	11	JA	33	02	-002	01	4710089-16	25	12	00	01	-006	01
4416138-145	11	JA	32	02	-001	01	4710089-17	25	12	00	01	-007	01
4416138-148	11	JA	33	01	-003	01	4710089-3	25	12	00	01	-011	01
4416138-151	11	JA	28	01	-001	01	4710089-4	25	12	00	01	-012	01
4416138-154	11	JA	38	01	-002	01	4710089-5	25	12	00	01	-013	01
4416138-157	11	JA	38	01	-003	01	4710089-6	25	12	00	01	-014	01
4416138-161	11	JA	23	01	-001	02	4710105-1	25	26	00	01	-013	01
4416138-164	11	JA	32	01	-002	01	4710183-2	25	11	00	01	-021	01
4416138-171	11	JA	32	01	-076	02	4710183-3	25	11	00	01	-001	02
4416138-190	11	JA	32	01	-150	01	4711035-16	33	20	00	02	-007	01
4416138-193	11	JA	32	01	-077	02	4711058-4	25	10	02	02	-005	02
4416138-196	11	JA	32	01	-078	02	4711063-7	25	10	02	01	-017	02
4416138-199	11	JA	23	02	-001	01	4711065-20	25	20	00	02	-035	01
4416138-36	11	JA	32	01	-004	01	4711065-6	25	20	00	02	-023	01
4416138-4	11	JA	28	02	-002	01	4711065-7	25	20	00	02	-024	01
4416138-400	11	JA	33	01	-075	01	4711067-1	25	51	00	01	-001	01
4416138-403	11	JA	33	01	-076	01	4711067-10	25	51	00	01	-006	01
4416138-406	11	JA	33	01	-077	01	4711067-13	25	51	00	01	-004	07
4416138-409	11	JA	33	01	-078	01	4711067-2	25	51	00	01	-002	01
4416138-53	11	JA	32	01	-003	01	4711067-6	25	51	00	01	-003	01
4416138-62	11	JA	33	02	-001	01	4711067-8	25	51	00	01	-005	01
4416138-68	11	JA	38	02	-002	01	4711079-2	52	30	00	02	-088	01
4416138-7	11	JA	28	01	-003	01	4711088-3	25	30	00	01	-004	01
4416138-9	11	JA	28	01	-002	01	4711088-4	25	30	00	01	-009	01
4419036-34	21	20	00	03	-008	02	4711088-4	25	30	00	02	-031	01
4419648-4	33	20	00	02	-008	01	4711090-5	52	60	00	02	-053	01
4419648-5	33	20	00	02	-001A	01	4711097-10	25	21	00	03	-016	01
450040150	21	50	01	01	-041	08	4711097-10	25	26	00	01	-040	01
450040150	24	50	01	03	-012	14	4711097-13	25	26	00	01	-025	02
450040150	24	50	02	02	-183	AR	4711097-13	25	30	00	03	-012	02
4511601-4	38	30	00	01	-023	02	4711097-17	25	26	00	01	-039	01
4516047-67	11	CR	28	01	-004	01	4711097-17	25	30	00	03	-010	01
4516047-67	11	LQ	28	01	-004	01	4711097-18	25	26	00	01	-027	01
4516047-67	11	PP	28	01	-004	01	4711097-18	25	30	00	03	-011	01
4516082-191	11	PP	23	02	-001	02	4711097-19	25	26	00	01	-028	01
452-16-12	28	10	00	02	-020	01	4711097-19	25	30	00	03	-009	01
452-3052	25	60	00	01	-010	01	4711097-2	25	26	00	02	-008	01
452-5050	25	60	00	01	-011	01	4711097-3	25	26	00	02	-016	01
452-5066	25	60	00	01	-009	01	4711097-32	53	25	00	01	-009	01
453-0022	31	10	00	01	-085	01	4711097-34	25	26	00	01	-029	01
453-5060	25	60	00	01	-008	01	4711097-34	25	30	00	03	-007	01
4573-150	21	10	00	01	-041	01	4711097-37	25	30	00	01	-001	01
4573-150	30	40	00	03	-085	01	4711097-4	25	26	00	01	-015	01
4599706-7	25	30	00	01	-012	01	4711097-4	25	30	00	03	-109	01
4599706-7	25	30	00	02	-008	01	4711097-8	25	26	00	01	-041	01
4619409-1	25	20	05	01	-307	02	4711097-8	25	30	00	03	-017	01
4619409-15	25	20	05	01	-316	01	4711097-9	25	21	00	03	-017	01
4619409-16	25	20	05	01	-317	01	4711097-9	25	26	00	01	-042	01
4619409-17	25	20	05	01	-309	01	4711104-1	38	30	00	01	-195	01
4619409-2	25	20	05	01	-308	01	4711104-2	38	30	00	01	-192	01
4619409-5	25	20	05	01	-310	01	4711104-3	38	30	00	01	-197	01
4619409-6	25	20	05	01	-311	01	4711107-3	38	30	00	01	-120	01

CESSNA®  
**MODEL 525 (SERIALS -0685 AND -0800 AND ON)**  
 ILLUSTRATED PARTS CATALOG

PART NUMBER	CH	SEC	SUBJ	FIG	ITEM	REQ	PART NUMBER	CH	SEC	SUBJ	FIG	ITEM	REQ
4711107-53	38	30	00	01	-025	01	4711635-5	25	29	00	01	-004	01
4711107-57	38	30	00	01	-112	04	4711643-6	25	21	00	01	-002	01
4711111-4	25	21	00	03	-022	01	4711644-3	25	21	00	01	-017	01
4711111-6	25	21	00	03	-012	02	4711644-5	25	21	00	01	-019	01
4711145-10	25	50	01	01	-001	01	4711644-6	25	21	00	01	-020	01
4711145-11	25	50	01	01	-002	01	4711644-8	25	21	00	01	-018	01
4711145-12	25	50	01	01	-003	01	4711649-4	25	21	01	01	-016	02
4711145-24	25	50	01	01	-012	01	4711672-1	38	30	00	01	-087	01
4711145-30	25	50	01	01	-004	01	4711672-10	38	30	00	01	-106	01
4711145-31	25	50	01	01	-005	01	4711672-11	38	30	00	01	-084	01
4711145-4	25	50	01	01	-006	01	4711672-12	38	30	00	01	-082	01
4711145-5	25	50	01	01	-007	01	4711672-15	38	30	00	01	-085	01
4711145-6	25	50	01	01	-008	01	4711672-16	38	30	00	01	-083	01
4711145-7	25	50	01	01	-009	01	4711672-17	38	30	00	01	-075	01
4711145-8	25	50	01	01	-010	01	4711672-18	38	30	00	01	-116	01
4711145-9	25	50	01	01	-011	01	4711672-2	38	30	00	01	-103	01
4711164-2	25	21	00	04	-015	02	4711672-3	38	30	00	01	-104	01
4711198-2	52	10	00	01	-116A	01	4711672-4	38	30	00	01	-088	01
4711329-3	25	20	00	01	-087	02	4711672-5	38	30	00	01	-089	01
4711518-13	25	20	00	01	-088	01	4711672-7	38	30	00	01	-098	01
4711589-2	25	10	02	02	-099	04	4711672-8	38	30	00	01	-094	01
4711612-10	25	10	02	03	-075A	01	4711672-9	38	30	00	01	-107	01
4711612-11	25	10	02	03	-075B	01	4711678-2	25	26	00	02	-017	01
4711612-2	25	10	02	03	-078	01	4711683-10	21	21	00	03	-043	01
4711612-5	21	21	01	01	-002	01	4711683-11	21	21	00	03	-042	NP
4711612-6	25	10	02	03	-075	01	4711683-12	21	21	00	03	-015	02
4711612-9	25	10	02	03	-078A	01	4711683-12	21	21	00	03	-027	01
4711613-13	25	10	02	03	-009	01	4711683-12	21	21	00	03	-028	02
4711613-14	25	10	02	03	-008	01	4711683-2	21	21	00	03	-023	01
4711613-15	25	10	02	03	-011	02	4711683-4	21	21	00	03	-037	01
4711613-16	25	10	02	03	-012	01	4711683-5	21	21	00	03	-016	01
4711613-17	25	10	02	03	-001	NP	4711683-5	21	21	00	03	-029	01
4711613-18	25	10	02	03	-006	01	4711683-7	21	21	00	03	-048	10
4711613-19	25	10	02	03	-005	NP	4711685-1	25	26	00	01	-075	01
4711613-2	25	10	02	03	-002	NP	4711685-4	25	26	00	01	-082	01
4711613-20	25	10	02	03	-010	01	4711685-6	25	26	00	01	-087	01
4711613-21	25	10	02	03	-016	01	4711685-8	25	26	00	01	-085	01
4711613-22	25	10	02	03	-002A	01	4711688-1	25	21	00	03	-009	01
4711613-23	25	10	02	03	-004A	01	4711688-2	25	21	00	03	-018	02
4711613-24	25	10	02	03	-003A	01	4711688-3	25	21	00	03	-019	01
4711613-25	25	10	02	03	-001A	01	4711688-4	25	21	00	03	-026	01
4711613-26	25	10	02	03	-005A	01	4711726-10	25	80	02	01	-001	02
4711613-6	25	10	02	03	-004	NP	4711726-2	25	80	02	01	-009	02
4711613-7	25	10	02	03	-003	NP	4711726-3	25	80	02	01	-008	02
4711613-9	25	10	02	03	-007	01	4711726-4	25	80	02	01	-007	02
4711618-13	25	20	01	01	-022	01	4711726-5	25	80	02	01	-006	02
4711618-14	25	20	01	01	-023	01	4711726-6	25	80	02	01	-005	02
4711618-15	25	20	01	01	-039	01	4711726-7	25	80	02	01	-004	04
4711618-17	25	20	01	01	-040	AR	4711726-8	25	80	02	01	-003	04
4711618-41	25	20	01	01	-027	02	4711726-9	25	80	02	01	-002	02
4711618-51	25	20	01	01	-010	01	4711746-1	25	20	00	01	-089	01
4711618-52	25	20	01	01	-010A	01	4711788-10	25	12	00	01	-010	01
4711618-59	25	20	01	01	-030	01	4711788-13	25	12	00	01	-008	01
4711618-61	25	20	01	01	-029	02	4711788-4	25	12	00	01	-009	01
4711618-8	25	20	01	01	-033	01	4711788-7	25	12	00	01	-015	01
4711622-16	21	21	01	01	-005	01	4711818-4	24	20	00	01	-020	01
4711628-4	38	30	00	01	-176	02	4711818-4	24	20	00	02	-018	01
4711629-1	25	29	00	01	-008	01	4711859-11	25	29	00	01	-002A	01
4711629-2	25	29	00	01	-012	01	4711859-7	25	29	00	01	-001	01
4711629-3	25	29	00	01	-013	01	4711859-8	25	29	00	01	-002	01
4711629-7	25	29	00	01	-014	04	4711866-1	53	20	04	01	-036	01
4711630-2	25	29	00	01	-015	01	4711866-2	53	20	04	01	-037	01



CESSNA®  
**MODEL 525 (SERIALS -0685 AND -0800 AND ON)**  
 ILLUSTRATED PARTS CATALOG

PART NUMBER	CH SEC SUBJ FIG	ITEM	REQ	PART NUMBER	CH SEC SUBJ FIG	ITEM	REQ
4711866-3	53-20-04-01	-040	01	4711879-2	25-10-02-02	-027	01
4711867-1	53-20-04-01	-046	01	4711879-3	25-10-02-02	-026	01
4711867-2	53-20-04-01	-047	01	4711879-4	25-10-02-02	-032	01
4711869-2	25-10-01-01	-001	01	4711879-5	25-10-02-02	-035	01
4711869-4	25-10-01-01	-005	01	4711879-6	25-10-02-02	-031	01
4711869-7	25-10-01-01	-011	01	4711879-7	25-10-02-02	-037	02
4711869-8	25-10-01-01	-009	01	4711879-8	25-10-02-02	-036	02
4711870-13	21-20-00-03	-004	02	4711879-9	25-10-02-02	-034	01
4711870-23	25-10-01-01	-018	02	4711882-1	25-50-00-01	-003	01
4711870-5	30-40-00-03	-016	01	4711882-10	25-50-00-01	-015	01
4711870-6	30-40-00-03	-017	01	4711882-12	25-50-00-01	-009	01
4711870-8	30-40-00-03	-018	01	4711882-13	25-50-00-01	-008	01
4711871-1	26-20-00-02	-002	02	4711882-14	25-50-00-01	-014	01
4711871-2	26-20-00-02	-003	02	4711882-15	25-50-00-01	-005	01
4711873-2	25-21-00-01	-001	NP	4711882-16	25-50-00-01	-012	01
4711873-3	25-21-00-01	-009	02	4711882-17	25-50-00-01	-002	01
4711873-4	25-21-00-01	-010	01	4711882-18	25-50-00-01	-011	01
4711873-7	25-21-00-01	-001A	01	4711882-19	25-50-00-01	-013	01
4711875-1	25-10-02-02	-006	01	4711882-2	25-50-00-01	-006	01
4711875-10	25-10-02-02	-102	01	4711882-20	25-50-00-01	-001	01
4711875-11	25-10-02-02	-038	01	4711882-3	25-50-00-01	-004	01
4711875-13	25-10-02-02	-150	01	4711882-5	25-50-00-01	-017	01
4711875-14	25-10-02-02	-151	01	4711882-7	25-50-00-01	-016	01
4711875-15	25-10-02-02	-075	01	4711882-8	25-50-00-01	-010	01
4711875-16	25-10-02-02	-076	01	4711882-9	25-50-00-01	-007	01
4711875-19	25-10-02-02	-155	01	4711884-10	25-20-02-02	-023	05
4711875-2	25-10-02-02	-007	01	4711884-10	25-20-02-02	-024	02
4711875-20	25-10-02-02	-156	01	4711884-13	25-20-02-02	-101	03
4711875-21	25-10-02-02	-154	01	4711884-13	25-20-02-02	-102	01
4711875-22	25-10-02-02	-158	01	4711884-14	25-20-02-02	-103	04
4711875-23	25-10-02-02	-079	01	4711884-17	25-20-02-02	-081	01
4711875-24	25-10-02-02	-080	01	4711884-18	25-20-02-02	-108	07
4711875-25	25-10-02-02	-009	01	4711884-21	25-20-02-02	-115	01
4711875-26	25-10-02-02	-010	01	4711884-22	25-20-02-02	-116	01
4711875-27	25-10-02-02	-081	01	4711884-24	25-20-02-02	-117	01
4711875-28	25-10-02-02	-175	01	4711884-26	25-20-02-02	-004	01
4711875-29	25-10-02-02	-172	01	4711884-27	25-20-02-02	-003	01
4711875-3	25-10-02-02	-014	01	4711884-28	25-20-02-02	-020	01
4711875-30	25-10-02-02	-173	01	4711884-29	25-20-02-02	-019	01
4711875-31	25-10-02-02	-176	01	4711884-30	25-20-02-02	-084	01
4711875-32	25-10-02-02	-177	01	4711884-31	25-20-02-02	-083	01
4711875-33	25-10-02-02	-001	01	4711884-32	25-20-02-02	-098	01
4711875-34	25-10-02-02	-002	01	4711884-33	25-20-02-02	-097	01
4711875-37	25-10-02-02	-100	02	4711884-34	25-20-02-02	-088	04
4711875-38	25-10-02-02	-013	01	4711884-34	25-20-02-02	-089	06
4711875-39	25-10-02-02	-159	01	4711884-36	25-20-02-02	-013A	01
4711875-4	25-10-02-02	-015	01	4711884-9	25-20-02-02	-021	02
4711875-5	25-10-02-02	-019	01	4711884-9	25-20-02-02	-022	05
4711875-59	25-10-02-02	-011	01	4711886-10	25-20-02-02	-076	01
4711875-6	25-10-02-02	-020	01	4711886-11	25-20-02-02	-001	01
4711875-7	25-10-02-02	-039	01	4711886-12	25-20-02-02	-002	01
4711875-8	25-10-02-02	-040	01	4711886-5	25-20-02-02	-150	01
4711875-9	25-10-02-02	-101	01	4711886-6	25-20-02-02	-151	01
4711876-10	25-10-02-02	-167	01	4711886-8	25-20-02-02	-164	01
4711876-13	25-10-02-02	-161	01	4711886-9	25-20-02-02	-075	01
4711876-5	25-10-02-02	-160	02	4711887-10	25-20-02-02	-156	01
4711876-6	25-10-02-02	-162	02	4711887-12	25-20-02-02	-158	01
4711876-9	25-10-02-02	-166	01	4711887-13	25-20-02-02	-077	01
4711877-1	31-10-00-01	-028	01	4711887-14	25-20-02-02	-078	01
4711877-2	31-10-00-01	-098	01	4711887-5	25-20-02-02	-153	01
4711879-1	25-10-02-02	-023	01	4711887-6	25-20-02-02	-154	01
4711879-10	25-10-02-02	-030	01	4711887-7	25-20-02-02	-157	01

CESSNA®  
**MODEL 525 (SERIALS -0685 AND -0800 AND ON)**  
 ILLUSTRATED PARTS CATALOG

PART NUMBER	CH SEC SUBJ FIG	ITEM	REQ	PART NUMBER	CH SEC SUBJ FIG	ITEM	REQ
4711887-8	25-20-02-02	-165	01	4711899-4	25-20-02-01	-007	04
4711888-1	25-20-02-02	-079	01	4711899-4	25-20-02-01	-007A	06
4711888-2	25-20-02-02	-080	01	4711899-5	35-20-00-01	-015	04
4711888-5	25-20-02-02	-155	01	4711899-6	23-30-00-01	-001	02
4711890-11	25-20-01-01	-001	07	4711899-7	23-30-00-01	-002	01
4711890-12	25-20-01-01	-002	07	4711899-8	23-30-01-01	-001	01
4711890-13	25-20-01-01	-003	07	4711899-9	23-30-01-01	-002	01
4711890-14	25-20-01-01	-012	01	4711900-10	21-21-01-01	-008	01
4711890-15	25-20-01-01	-015	01	4711900-11	21-21-01-01	-009	01
4711890-16	25-20-01-01	-019	01	4711900-12	21-21-01-01	-010	01
4711890-17	25-20-01-01	-009	01	4711900-13	21-21-01-01	-011	01
4711890-19	25-20-01-01	-013	01	4711900-14	21-21-01-01	-006	01
4711890-20	25-20-01-01	-016	01	4711900-9	21-21-01-01	-007	01
4711890-21	25-20-01-01	-020	01	4711902-10	25-20-00-02	-010	01
4711890-24	25-20-01-01	-031	01	4711902-11	25-20-00-02	-011	01
4711890-25	25-20-01-01	-006	01	4711902-12	25-20-00-02	-012	01
4711890-28	25-20-01-01	-035	01	4711902-13	25-20-00-02	-036	01
4711890-3	25-20-01-01	-005	01	4711902-16	25-20-00-02	-001	01
4711890-30	25-20-01-01	-014	01	4711902-18	25-20-00-02	-002	01
4711890-31	25-20-01-01	-017	01	4711902-19	25-20-00-02	-003	01
4711890-32	25-20-01-01	-021	01	4711902-20	25-20-00-02	-004	01
4711890-33	25-20-01-01	-011	01	4711902-34	25-20-00-02	-013	01
4711890-35	25-20-01-01	-032	01	4711902-35	25-20-00-02	-005	01
4711890-36	25-20-01-01	-007	01	4711902-8	25-20-00-02	-009	01
4711890-39	25-20-01-01	-036	01	4711903-2	38-30-00-01	-173	01
4711890-42	25-20-01-01	-034A	01	4711903-3	38-30-00-01	-174	01
4711890-43	25-20-01-01	-001A	07	4711903-6	38-30-00-01	-175	01
4711890-45	25-20-01-01	-035A	01	4711904-1	38-30-00-01	-017	01
4711890-46	25-20-01-01	-002A	07	4711904-2	38-30-00-01	-026	01
4711890-48	25-20-01-01	-036A	01	4711904-5	38-30-00-01	-024	01
4711890-49	25-20-01-01	-003A	07	4711904-6	38-30-00-01	-029	01
4711890-7	25-20-01-01	-034	01	4711908-3	25-26-00-01	-001	01
4711894-10	25-21-00-02	-004	01	4711912-2	25-26-00-01	-031	01
4711894-11	25-21-00-02	-007	02	4711912-2	25-26-00-01	-035	03
4711894-12	25-21-00-02	-009	01	4711912-2	25-30-00-03	-003	02
4711894-13	25-21-00-02	-006	01	4711912-2	25-30-00-03	-013	02
4711894-22	25-21-00-02	-007A	02	4711912-3	25-26-00-01	-050	01
4711894-23	25-21-00-02	-001A	01	4711912-3	25-30-00-03	-019	01
4711894-24	25-21-00-02	-002A	01	4711912-4	25-26-00-01	-044	01
4711894-25	25-21-00-02	-003A	01	4711912-4	25-30-00-03	-020	01
4711894-26	25-21-00-02	-004A	01	4711914-2	25-30-00-01	-003	03
4711894-27	25-21-00-02	-006A	01	4711914-3	25-30-00-01	-005	01
4711894-7	25-21-00-02	-001	01	4711914-3	25-30-00-02	-027	01
4711894-8	25-21-00-02	-002	01	4711914-4	25-30-00-01	-006	01
4711894-9	25-21-00-02	-003	01	4711914-4	25-30-00-02	-028	01
4711895-1	21-21-00-03	-042A	01	4711916-1	25-20-00-03	-001	01
4711899-1	25-20-02-01	-001	01	4711916-2	25-20-00-03	-002	01
4711899-10	23-30-00-01	-008	01	4711916-3	25-20-00-03	-003	02
4711899-10	23-30-01-01	-009	01	4711916-5	25-20-00-03	-004	01
4711899-11	35-20-00-01	-016	01	4711918-1	25-20-00-03	-010	01
4711899-12	35-20-00-01	-020	01	4711918-10	25-20-00-03	-006	01
4711899-13	35-20-00-01	-021	01	4711918-11	25-20-00-01	-017	NP
4711899-14	25-20-02-01	-012	NP	4711918-12	25-20-00-01	-018	NP
4711899-15	25-20-02-01	-016	NP	4711918-2	25-20-00-03	-011	01
4711899-16	25-80-00-03	-002	01	4711918-20	25-20-00-01	-017A	01
4711899-17	23-30-00-01	-003	04	4711918-21	25-20-00-01	-018A	01
4711899-17	23-30-01-01	-003	04	4711918-3	25-20-00-03	-012	01
4711899-18	25-20-00-01	-019	01	4711918-4	25-20-00-03	-013	01
4711899-2	33-20-00-01	-006	06	4711918-5	25-20-00-03	-016	01
4711899-21	25-20-02-01	-012A	02	4711918-6	25-20-00-03	-014	01
4711899-22	25-20-02-01	-016A	01	4711918-7	25-20-00-03	-015	01
4711899-3	33-20-00-01	-004	04	4711918-9	25-20-00-03	-005	01

CESSNA®  
**MODEL 525 (SERIALS -0685 AND -0800 AND ON)**  
 ILLUSTRATED PARTS CATALOG

PART NUMBER	CH SEC SUBJ FIG	ITEM	REQ	PART NUMBER	CH SEC SUBJ FIG	ITEM	REQ
4711919-1	25-26-00-01	-003	01	4711935-14	25-20-05-01	-152	04
4711919-2	25-26-00-01	-008	01	4711935-15	25-20-05-01	-189	01
4711919-3	25-26-00-01	-009	01	4711935-16	25-20-05-01	-106	01
4711919-4	25-26-00-01	-010	01	4711935-17	25-20-05-01	-107	01
4711919-5	25-26-00-01	-011	01	4711935-2	25-20-05-01	-161	01
4711923-13	25-10-02-01	-006	01	4711935-23	25-20-05-01	-188A	01
4711923-14	25-10-02-01	-007	01	4711935-24	25-20-05-01	-189A	01
4711923-16	25-10-02-01	-008	01	4711935-27	25-20-05-01	-160A	01
4711923-17	25-10-02-01	-009	01	4711935-28	25-20-05-01	-161A	01
4711923-18	25-10-02-01	-010	01	4711935-29	25-20-05-01	-178A	01
4711923-19	25-10-02-01	-019	02	4711935-3	25-20-05-01	-169	01
4711923-21	25-10-02-01	-021	02	4711935-30	25-20-05-01	-179A	01
4711923-35	25-10-02-01	-020	01	4711935-5	25-20-05-01	-178	01
4711923-37	25-10-02-01	-018	04	4711935-6	25-20-05-01	-179	01
4711923-39	25-10-02-01	-001	01	4711935-8	25-20-05-01	-164	02
4711923-40	25-10-02-01	-011	01	4711935-9	25-20-05-01	-163	02
4711923-41	25-10-02-01	-002	01	4711936-1	25-20-05-01	-399A	01
4711923-42	25-10-02-01	-012	01	4711936-10	25-20-05-01	-400	01
4711923-43	25-10-02-01	-003	01	4711936-11	25-20-05-01	-401A	01
4711923-44	25-10-02-01	-013	01	4711936-2	25-20-05-01	-401	01
4711923-45	25-10-02-01	-004	01	4711936-3	25-20-05-01	-037	01
4711923-46	25-10-02-01	-014	01	4711936-4	25-20-05-01	-402	01
4711923-47	25-10-02-01	-005	01	4711936-5	25-20-05-01	-038	01
4711923-48	25-10-02-01	-015	01	4711936-6	25-20-05-01	-036	01
4711928-2	25-80-00-03	-004	01	4711936-7	25-20-05-01	-075	01
4711928-3	25-80-00-03	-003	01	4711936-8	25-20-05-01	-039	01
4711928-4	25-80-00-03	-006	01	4711936-9	25-20-05-01	-402A	01
4711928-5	25-80-00-03	-005	01	4711937-10	25-20-05-01	-264	06
4711928-6	25-80-00-03	-009	06	4711937-12	25-20-05-01	-377	01
4711928-7	25-80-00-03	-007	01	4711937-15	25-20-05-01	-377A	01
4711928-8	25-80-00-03	-008	01	4711937-21	25-20-05-01	-248	02
4711932-1	25-20-05-01	-012	01	4711937-22	25-20-05-01	-249	01
4711932-10	25-20-05-01	-031	01	4711937-23	25-20-05-01	-250	02
4711932-11	25-20-05-01	-017	01	4711937-24	25-20-05-01	-251	01
4711932-12	25-20-05-01	-018	01	4711937-25	25-20-05-01	-253	02
4711932-13	25-20-05-01	-027	01	4711937-26	25-20-05-01	-254	01
4711932-2	25-20-05-01	-013	01	4711937-29	25-20-05-01	-256	02
4711932-7	25-20-05-01	-021	01	4711937-30	25-20-05-01	-257	01
4711932-8	25-20-05-01	-022	01	4711937-31	25-20-05-01	-332	03
4711932-9	25-20-05-01	-030	01	4711937-34	25-20-05-01	-024	02
4711933-1	25-20-05-01	-385	01	4711937-39	25-20-05-01	-255	04
4711933-3	25-20-05-01	-381	01	4711937-40	25-20-05-01	-327	06
4711933-6	25-20-05-01	-387	01	4711937-41	25-20-05-01	-331	01
4711933-7	25-20-05-01	-385A	01	4711937-49	25-20-05-01	-460	01
4711934-1	25-20-05-01	-077	01	4711937-50	25-20-05-01	-461	01
4711934-11	25-20-05-01	-089	01	4711937-51	25-20-05-01	-454	01
4711934-13	25-20-05-01	-092	02	4711937-52	25-20-05-01	-455	01
4711934-14	25-20-05-01	-093	02	4711937-8	25-20-05-01	-266	03
4711934-15	25-20-05-01	-114	01	4711938-29	25-20-05-01	-300	02
4711934-18	25-20-05-01	-087	01	4711938-30	25-20-05-01	-301	01
4711934-2	25-20-05-01	-078	01	4711938-31	25-20-05-01	-302	02
4711934-3	25-20-05-01	-085	01	4711938-32	25-20-05-01	-303	01
4711934-4	25-20-05-01	-086	01	4711938-37	25-20-05-01	-305	03
4711934-5	25-20-05-01	-104	01	4711938-39	25-20-05-01	-306	03
4711934-6	25-20-05-01	-105	01	4711938-41	25-20-05-01	-376	01
4711934-7	25-20-05-01	-097	01	4711938-42	25-20-05-01	-378	01
4711934-8	25-20-05-01	-098	01	4711938-44	25-20-05-01	-384	01
4711935-1	25-20-05-01	-160	01	4711938-45	25-20-05-01	-386	01
4711935-10	25-20-05-01	-176	02	4711938-46	25-20-05-01	-376A	01
4711935-11	25-20-05-01	-186	04	4711938-47	25-20-05-01	-339	02
4711935-12	25-20-05-01	-188	01	4711938-48	25-20-05-01	-340	01
4711935-13	25-20-05-01	-185	02	4711938-61	25-20-05-01	-405	03

CESSNA®  
**MODEL 525 (SERIALS -0685 AND -0800 AND ON)**  
 ILLUSTRATED PARTS CATALOG

PART NUMBER	CH SEC SUBJ FIG	ITEM	REQ	PART NUMBER	CH SEC SUBJ FIG	ITEM	REQ
4711938-62	25-20-05-01	-335	03	4711967-3	25-30-00-03	-099	01
4711938-71	25-20-05-01	-341	02	4711967-4	25-30-00-03	-103	01
4711938-72	25-20-05-01	-342	01	4711967-5	25-30-00-03	-104	01
4711938-75	25-20-05-01	-392A	01	4711967-6	25-26-00-01	-014	01
4711938-76	25-20-05-01	-393A	01	4711967-6	25-30-00-03	-108	01
4711938-78	25-20-05-01	-403	01	4711967-7	25-30-00-03	-086	01
4711938-83	25-20-05-01	-375	NP	4711967-8	25-30-00-03	-087	01
4711938-84	25-20-05-01	-379	01	4711968-2	38-30-00-01	-166	NP
4711938-86	25-20-05-01	-404	01	4711975-3	25-22-00-01	-045	02
4711938-87	25-20-05-01	-404A	01	4711975-5	25-22-00-01	-046	02
4711938-88	25-20-05-01	-375A	01	4711975-7	25-22-00-01	-050	08
4711938-89	25-20-05-01	-384A	01	4711977-13	21-21-00-03	-024	01
4711939-1	25-20-05-01	-009	NP	4711977-14	21-21-00-03	-038	01
4711939-11	25-20-05-01	-009A	01	4711977-3	21-21-00-03	-001	01
4711939-12	25-20-05-01	-010A	01	4711977-4	21-21-00-03	-002	01
4711939-2	25-20-05-01	-010	NP	4711978-2	23-10-02-02	-006	01
4711939-7	25-20-05-01	-011A	01	4711978-4	23-10-02-02	-007	01
4711939-9	25-20-05-01	-011	NP	4711978-5	23-10-02-02	-011	01
4711940-2	25-26-00-01	-002	01	4711978-6	23-10-02-02	-001	01
4711941-1	25-20-05-01	-225	01	4711978-8	23-10-02-02	-007A	01
4711941-10	25-20-05-01	-005	08	4711978-9	23-10-02-02	-011A	01
4711941-2	25-20-05-01	-229	02	4711981-1	25-20-00-01	-090	01
4711941-3	25-20-05-01	-241	02	4711981-2	25-20-00-01	-091	01
4711941-4	25-20-05-01	-004	01	4711990-2	35-30-00-02	-001	01
4711941-4	25-20-05-01	-234	01	4711990-3	35-30-00-02	-006	01
4711941-5	25-20-05-01	-001	08	4716060-31	11-PP-23-03	-001	01
4711942-14	21-21-00-03	-013	01	4717018-3	11-C-32-01	-078	01
4711942-15	21-21-00-03	-022	01	4717018-3	11-C-32-02	-002	01
4711944-1	25-21-00-02	-039	01	4717018-3	11-G-32-01	-078	01
4711944-10	25-80-00-03	-011	01	4717018-3	11-G-32-02	-002	01
4711944-11	25-80-00-03	-012	01	4717018-3	11-HB-32-01	-077	01
4711944-12	25-80-00-03	-013	02	4717018-3	11-HB-32-02	-002	01
4711944-13	25-80-00-03	-014	01	4717018-3	11-HL-32-01	-077	01
4711944-14	25-80-00-03	-015	01	4717018-3	11-HL-32-02	-002	01
4711944-2	25-21-00-02	-040	01	4717018-3	11-LX-32-01	-078	01
4711944-9	25-80-00-03	-010	01	4717018-3	11-LX-32-02	-002	01
4711947-4	25-21-00-02	-079	02	4717018-3	11-M-32-01	-078	01
4711949-2	25-21-00-04	-012	02	4717018-3	11-M-32-02	-002	01
4711949-2	25-21-01-02	-098	02	4717018-3	11-N-32-01	-078	01
4711949-3	25-21-00-04	-013	01	4717018-3	11-N-32-02	-002	01
4711949-3	25-21-01-02	-102	01	4717018-3	11-OY-32-01	-078	01
4711949-4	25-21-00-04	-014	01	4717018-3	11-OY-32-02	-002	01
4711949-4	25-21-01-02	-101	01	4717018-3	11-RP-32-01	-077	01
4711950-1	53-20-04-01	-043	01	4717018-3	11-RP-32-02	-002	01
4711950-2	53-20-04-01	-045	01	4717018-3	11-RS-32-01	-078	01
4711952-3	25-11-00-01	-022	01	4717018-3	11-RS-32-02	-002	01
4711952-4	25-11-00-01	-023	01	4717018-3	11-SP-32-01	-004A	01
4711952-7	25-11-00-01	-003	01	4717018-3	11-T7-32-01	-078	01
4711954-4	44-20-00-01	-003	01	4717018-3	11-T7-32-02	-002	01
4711956-5	25-12-00-01	-019	06	4717018-3	11-VH-32-01	-078	01
4711958-2	25-21-00-02	-090	01	4717018-3	11-VH-32-02	-002	01
4711962-10	25-21-01-01	-013	01	4717018-3	11-YR-32-01	-077	01
4711962-11	25-21-01-01	-012	01	4717018-3	11-YR-32-02	-002	01
4711962-12	25-21-01-01	-014	01	4717018-8	11-CR-32-01	-004	01
4711962-3	25-21-01-01	-001	01	4717018-8	11-CR-32-02	-003	01
4711962-4	25-21-01-01	-002	01	4717018-8	11-LQ-32-01	-004	01
4711962-5	25-21-01-01	-003	01	4717018-8	11-LQ-32-02	-002	01
4711962-6	25-21-01-01	-005	01	4717018-8	11-PP-32-01	-006	01
4711962-7	25-21-01-01	-004	01	4717018-8	11-PP-32-02	-002	01
4711962-8	25-21-01-01	-006	01	4717032-26	25-20-02-01	-002	06
4711962-9	25-21-01-01	-011	01	4717032-27	25-20-02-01	-003	01
4711967-2	25-30-00-03	-098	01	4717032-7	25-20-02-01	-008	01

CESSNA®  
**MODEL 525 (SERIALS -0685 AND -0800 AND ON)**  
 ILLUSTRATED PARTS CATALOG

PART NUMBER	CH SEC SUBJ FIG	ITEM	REQ	PART NUMBER	CH SEC SUBJ FIG	ITEM	REQ
4717059-45	25-21-00-02	-005	01	4717300-3	25-10-02-02	-083	01
4717059-45	25-21-00-02	-008	02	4717300-4	25-10-02-02	-084	01
4717062-13	25-20-02-02	-162	02	4717300-5	25-10-02-02	-092	01
4717063-17	25-20-02-02	-091	06	4717300-6	25-10-02-02	-093	01
4717063-17	25-20-02-02	-092	08	4717401-2	25-80-00-03	-001	01
4717081-17	25-20-02-02	-009	08	4717408-3	38-31-00-01	-006	01
4717081-42	25-20-02-02	-169	03	4717408-4	38-31-00-01	-008	01
4717081-46	25-20-02-02	-171	02	4717408-5	38-31-00-01	-009	01
4717081-53	25-20-02-02	-011	03	4717439-3	25-20-00-01	-016	01
4717081-54	52-20-00-01	-024	01	4717439-4	25-20-00-01	-012	01
4717081-56	52-20-00-01	-023	01	4717609-2	21-21-00-03	-051	02
4717085-14	38-30-00-01	-180	02	4719004-2	25-21-00-03	-035	01
4717085-14	38-30-00-01	-184	02	4719004-4	25-21-00-03	-030	01
4717085-24	25-20-02-02	-166	02	4719074-2	52-60-00-01	-088	01
4717085-5	25-20-02-02	-159	02	4719074-2	52-60-00-02	-083	01
4717085-5	25-20-02-02	-160	03	4719074-3	52-60-00-01	-087	01
4717089-2	25-20-02-02	-105	04	4719074-3	52-60-00-02	-082	01
4717089-2	25-20-02-02	-168	04	4719509-9	25-30-00-03	-089	01
4717089-3	25-20-02-02	-170	01	472	25-30-00-01	-014	01
4717103-13	25-29-00-01	-004A	01	4778203-1	44-20-00-01	-007	01
4717138-3	38-30-00-01	-167	01	4778203-2	44-20-00-01	-007A	01
4717138-7	38-30-00-01	-166A	01	4779170-21	25-21-01-02	-094	01
4717141-12	38-30-00-01	-018	01	4779170-22	25-21-01-02	-095	01
4717141-13	38-30-00-01	-019	01	4779170-23	25-21-01-02	-097	01
4717174-5	25-21-00-02	-085	04	4779405-1	25-21-01-02	-001	01
4717178-1	25-29-00-01	-006	01	4779405-10	25-21-01-02	-078	01
4717197-1	11-JA-32-02	-002	01	4779405-11	25-21-01-02	-079	01
4717197-2	11-OK-32-01	-077	01	4779405-12	25-21-01-02	-013	01
4717197-2	11-OK-32-02	-002	01	4779405-13	25-21-01-02	-032	04
4717197-5	11-D-32-01	-078	01	4779405-15	25-21-01-02	-011	01
4717197-5	11-D-32-02	-002	01	4779405-16	25-21-01-02	-012	01
4717197-5	11-F-32-01	-079	01	4779405-17	25-21-01-02	-007	01
4717197-5	11-I-32-01	-076	01	4779405-18	25-21-01-02	-008	01
4717197-5	11-I-32-02	-002	01	4779405-2	25-21-01-02	-003	01
4717197-5	11-SP-32-01	-004	01	4779405-21	25-21-01-02	-025	01
4717201-18	25-50-00-01	-018	06	4779405-22	25-21-01-02	-026	01
4717215-19	25-10-02-03	-019	02	4779405-23	25-21-01-02	-022	01
4717218-26	25-10-02-03	-013	02	4779405-25	25-21-01-02	-027	01
4717218-3	25-10-02-03	-014	02	4779405-26	25-21-01-02	-029	01
4717221-3	33-10-01-01	-001	02	4779405-27	25-21-01-02	-092	01
4717222-10	25-10-02-03	-091	01	4779405-28	25-21-01-02	-093	01
4717222-11	25-10-02-03	-092	01	4779405-29	25-21-01-02	-002	01
4717222-12	25-10-02-03	-093	01	4779405-3	25-21-01-02	-009	01
4717222-6	25-10-02-03	-095	02	4779405-30	25-21-01-02	-004	01
4717222-8	25-10-02-03	-097	02	4779405-31	25-21-01-02	-028	01
4717222-9	25-10-02-03	-090	01	4779405-32	25-21-01-02	-030	01
4717234-9	25-11-00-01	-025	02	4779405-33	25-21-01-02	-080	01
4717235-5	25-20-00-01	-081	01	4779405-35	25-21-01-02	-001A	01
4717235-8	25-20-00-01	-082	01	4779405-37	25-21-01-02	-002A	01
4717238-12	52-60-00-01	-080	02	4779405-39	25-21-01-02	-027A	01
4717238-13	52-60-00-01	-083	02	4779405-4	25-21-01-02	-010	01
4717238-17	52-60-00-01	-015	01	4779405-41	25-21-01-02	-028A	01
4717238-19	52-60-00-01	-075	02	4779405-5	25-21-01-02	-075	01
4717238-23	52-60-00-01	-006	01	4779405-6	25-21-01-02	-076	01
4717238-24	52-60-00-01	-001	01	4779405-7	25-21-01-02	-090	01
4717238-25	52-60-00-01	-003	01	4779405-8	25-21-01-02	-091	01
4717238-26	52-60-00-01	-002	01	4779405-9	25-21-01-02	-077	01
4717238-3	52-60-00-01	-027	01	4779407-1	25-21-00-02	-037	02
4717238-5	52-60-00-01	-004	01	4779407-2	25-21-00-02	-038	02
4717238-6	52-60-00-01	-005	01	4789004-7	25-30-00-03	-096	02
4717284-4	38-30-00-01	-163	01	4790005-3	25-50-01-01	-014	01
4717284-6	38-30-00-01	-164	04	4790055-2	25-20-05-01	-244	04

CESSNA®  
**MODEL 525 (SERIALS -0685 AND -0800 AND ON)**  
 ILLUSTRATED PARTS CATALOG

PART NUMBER	CH SEC SUBJ FIG	ITEM	REQ	PART NUMBER	CH SEC SUBJ FIG	ITEM	REQ
4790275-1	25-20-05-01	-453	01	4799506-7	25-21-00-02	-028	01
4790275-2	25-20-05-01	-450	04	4799506-8	25-21-00-02	-029	01
4790275-3	25-20-05-01	-452	01	4799506-9	25-21-00-02	-032	01
4790282-4	38-30-00-01	-168	01	4799507-1	25-22-00-01	-001	02
479729	30-40-00-02	-008	01	4799507-10	25-22-00-01	-010	01
4798102-2	25-10-02-03	-086	01	4799507-11	25-22-00-01	-014	01
4798123-1	25-10-02-03	-086A	01	4799507-12	25-22-00-01	-015	01
4799400-4	25-26-00-02	-009	01	4799507-14	25-22-00-01	-021	01
4799400-5	25-26-00-02	-011	02	4799507-15	25-22-00-01	-017	01
4799400-5	25-30-00-03	-119	02	4799507-16	25-22-00-01	-019	01
4799403-10	25-22-00-01	-026	03	4799507-17	25-22-00-01	-006	01
4799403-14	25-22-00-01	-038	01	4799507-18	25-22-00-01	-018	01
4799403-15	25-22-00-01	-039	01	4799507-19	25-22-00-01	-020	01
4799405-5	25-21-00-03	-040	02	4799507-2	25-22-00-01	-003	02
4799411-3	25-21-00-03	-039	01	4799507-20	25-22-00-01	-002	02
4799500-2	25-30-00-01	-036	01	4799507-21	25-22-00-01	-004	02
4799500-2	25-30-00-02	-024	01	4799507-22	25-22-00-01	-023	01
4799500-5	25-30-00-01	-035	01	4799507-23	25-22-00-01	-033	01
4799500-6	25-30-00-01	-031	01	4799507-24	25-22-00-01	-041	01
4799501-1	25-26-00-01	-022	01	4799507-25	25-22-00-01	-025	01
4799501-2	25-26-00-01	-024	01	4799507-26	25-22-00-01	-035	01
4799501-3	25-26-00-01	-023	01	4799507-27	25-22-00-01	-043	01
4799502-1	25-21-00-01	-012	01	4799507-3	25-22-00-01	-007	01
4799503-1	25-26-00-02	-001	01	4799507-4	25-22-00-01	-022	01
4799503-2	25-26-00-02	-004	01	4799507-5	25-22-00-01	-032	01
4799503-3	25-26-00-02	-014	01	4799507-6	25-22-00-01	-040	01
4799503-5	25-26-00-02	-013	01	4799507-7	25-22-00-01	-024	01
4799503-6	25-26-00-02	-015	01	4799507-8	25-22-00-01	-034	01
4799504-3	25-26-00-01	-018	01	4799507-9	25-22-00-01	-042	01
4799504-6	25-26-00-01	-020	01	4799509-1	38-30-00-01	-001	01
4799504-9	25-26-00-01	-018A	01	4799509-2	38-30-00-01	-004	01
4799505-1	25-30-00-02	-001	01	4799509-3	38-30-00-01	-007	01
4799505-2	25-30-00-02	-021	01	4799510-1	25-21-00-04	-002	01
4799505-3	25-30-00-02	-012	01	4799510-2	25-21-00-04	-009	01
4799505-4	25-30-00-02	-002	01	4799510-3	25-21-00-04	-010	01
4799506-1	25-21-00-02	-011	01	4799511-10	25-21-00-03	-044A	01
4799506-10	25-21-00-02	-024	01	4799511-11	25-21-00-03	-043B	01
4799506-11	25-21-00-02	-026	01	4799511-12	25-21-00-03	-044B	01
4799506-12	25-21-00-02	-020	03	4799511-2	25-21-00-03	-001	01
4799506-12	25-21-00-02	-021	04	4799511-3	25-21-00-03	-043	01
4799506-13	25-21-00-02	-018	07	4799511-6	25-21-00-03	-044	01
4799506-13	25-21-00-02	-019	09	4799511-8	25-21-00-03	-001A	01
4799506-14	25-21-00-02	-023	01	4799511-9	25-21-00-03	-043A	01
4799506-15	25-21-00-02	-022	01	4799512-1	25-21-00-04	-001	01
4799506-16	25-21-00-02	-031	01	4799512-2	25-21-00-04	-005	01
4799506-17	25-21-00-02	-030	01	4799512-2	25-21-01-02	-021	01
4799506-18	25-21-00-02	-025	01	4799513-3	25-10-00-03	-001	01
4799506-19	25-21-00-02	-027	01	4799513-4	25-10-00-03	-002	01
4799506-2	25-21-00-02	-012	01	4799514-1	25-30-01-01	-001	01
4799506-20	25-21-00-02	-032A	01	4799514-2	25-30-01-01	-002	01
4799506-21	25-21-00-02	-028A	01	4799514-3	25-30-01-01	-007	01
4799506-22	25-21-00-02	-029A	01	4799514-4	25-30-01-01	-005	01
4799506-23	25-21-00-02	-030A	01	4799514-5	25-30-01-01	-006	01
4799506-24	25-21-00-02	-031A	01	4799515-1	25-26-00-01	-016	01
4799506-27	25-21-00-02	-011A	01	4799515-2	25-26-00-01	-021	01
4799506-28	25-21-00-02	-012A	01	4799515-3	25-26-00-01	-019	01
4799506-29	25-21-00-02	-013A	01	4799515-4	25-26-00-01	-016A	01
4799506-3	25-21-00-02	-013	01	4799516-10	25-30-00-03	-092	01
4799506-30	25-21-00-02	-014A	01	4799516-12	25-30-00-03	-114	01
4799506-31	25-21-00-02	-022A	01	4799516-14	25-30-00-03	-076	01
4799506-32	25-21-00-02	-023A	01	4799516-15	25-30-00-03	-002	01
4799506-4	25-21-00-02	-014	01	4799516-16	25-30-00-03	-085	01

CESSNA®  
**MODEL 525 (SERIALS -0685 AND -0800 AND ON)**  
 ILLUSTRATED PARTS CATALOG

PART NUMBER	CH SEC SUBJ FIG	ITEM	REQ	PART NUMBER	CH SEC SUBJ FIG	ITEM	REQ
4799516-18	25-30-00-03	-077	01	53	34-11-00-02	-009	05
4799516-2	25-30-00-03	-075	01	53	34-11-00-02	-122	04
4799516-3	25-30-00-03	-001	01	5311330-5	52-30-00-01	-026	02
4799516-4	25-30-00-03	-122	02	5466S	26-20-00-01	-019	01
4799516-5	25-30-00-03	-110	01	550-93686-01	23-10-00-01	-002	02
4799516-6	25-30-00-03	-111	01	5500L6W-BEF23A	35-30-00-02	-007	01
4799516-7	25-30-00-03	-084	01	5501001-119	11-N-22-01	-016	01
4799516-8	25-30-00-03	-120	01	5501001-17	11-N-25-01	-002	02
4799517-1	25-26-00-01	-024A	01	5501001-23	11-N-22-04	-001A	01
4810883-1	33-20-00-01	-003	04	5501001-24	11-N-22-04	-001	NP
4810883-2	33-20-00-01	-005	06	5501001-30	11-N-22-03	-002	NP
4811316-2	52-30-00-01	-077	02	5501001-87	11-N-22-01	-010	01
4811316-3	52-30-00-01	-075	02	5501001-88	11-N-22-01	-007	01
4811316-4	52-30-00-01	-080	02	5501001-98	11-N-22-01	-001	01
4811483-1	25-20-00-03	-007	01	5504FINGER-GUARD	21-20-00-03	-009	02
4811861-1	25-10-02-02	-097	04	5504FINGER-GUARD	21-20-00-03	-076	02
4811868-70	11-LQ-25-01	-005	02	5510005-10	53-20-00-01	-101	01
4811889-12	25-20-00-02	-017	07	5510005-11	53-20-00-01	-102	01
4811889-13	25-20-00-02	-020	01	5510005-12	53-20-00-01	-103	01
4811889-14	25-20-00-02	-019	01	5510005-7	53-20-00-01	-106	02
4811889-25	25-20-00-02	-026	01	5510005-8	53-20-00-01	-094	01
4811889-26	25-20-00-02	-027	01	5510005-9	53-20-00-01	-100	01
4811889-27	25-20-00-02	-028	01	5510006-1	53-20-00-01	-095	02
4811889-7	25-20-00-02	-021	01	5510006-2	53-20-00-01	-096	02
4819198-11	25-20-00-01	-023	04	5510006-3	53-20-00-01	-097	02
4819448-5	52-60-00-01	-050	01	5511040-105	53-20-00-01	-035	01
4819717-1	52-60-00-02	-023	02	5511040-106	53-20-00-01	-036	01
4819717-2	52-60-00-02	-029	01	5511040-107	53-20-00-01	-033	01
4819719-3	52-60-00-02	-054	01	5511040-108	53-20-00-01	-034	01
4819719-4	52-60-00-02	-031	01	5511040-15	53-20-00-01	-152	01
482-9833	24-50-04-01	-090	01	5511040-16	53-20-00-01	-014	04
483-0350	24-50-04-01	-091	01	5511040-39	53-20-00-01	-088	01
4G6X-S	21-30-00-01	-016	01	5511040-40	53-20-00-01	-089	01
4X	11-00-00-01	-051	AR	5511040-50	53-20-00-01	-156	01
5-70-30	23-16-00-01	-040	02	5511040-59	53-20-00-01	-085	01
5-70-30	34-61-05-01	-009	02	5511040-60	53-20-00-01	-086	01
5-70-30	53-20-00-02	-107	01	5511040-66	53-20-00-01	-155	01
500-93392-01	23-10-00-01	-038A	01	5511040-76	53-20-00-01	-012	01
500454-8S	21-50-00-01	-005	01	5511040-77	53-20-00-01	-079	01
500910	35-00-00-01	-005	01	5511040-78	53-20-00-01	-080	01
500941-51	35-00-00-01	-006	01	5511040-81	53-20-00-01	-078	01
501-1712-01	24-30-02-01	-001	01	5511041-12	53-20-00-01	-075	01
502756	25-20-00-01	-011	01	5511041-14	53-20-00-01	-093	01
5060-00-1	36-10-00-01	-169	02	5511041-15	53-20-00-01	-092	01
5111339-3	53-23-00-01	-002	03	5511041-6	53-20-00-01	-032	01
5115214-1	27-10-02-01	-019	02	5511041-7	53-20-00-01	-031	01
5115214-1	27-20-02-01	-083	02	5511041-8	53-20-00-01	-002	01
5115214-1	27-30-02-01	-019	02	5511041-9	53-20-00-01	-001	01
5117277-1	30-40-00-01	-034	03	5511050-39	32-30-00-03	-038	01
5117277-1	30-40-00-01	-100	01	5511050-50	53-20-00-02	-019	02
5117277-1	30-40-00-01	-153	02	5511050-51	53-20-00-02	-076	02
5119404-2	11-N-31-01	-001	02	5511050-52	53-20-00-02	-083	02
5119405-12	34-20-00-01	-011	01	5511060-5	53-21-00-04	-023	01
5119405-13	34-20-00-01	-012	01	5511060-5	53-21-00-04	-078	02
515	23-50-00-01	-001	06	5511060-6	53-21-00-04	-098	05
515	31-10-00-01	-158	03	5511061-16	53-21-00-04	-091	01
515	31-10-00-01	-167	03	5511061-17	53-21-00-04	-086	03
51525-001F	24-30-00-01	-001	01	5511061-18	53-21-00-04	-089	04
51525-001F	24-30-00-01	-002	01	5511061-19	53-21-00-04	-088	04
5211181-9	52-10-00-01	-034	01	5511061-20	53-21-00-04	-077	02
5253-00-1	21-10-00-01	-002	02	5511061-21	53-21-00-04	-094	02
5285-00-3	30-20-00-01	-016	02	5511061-22	53-21-00-04	-076	01

CESSNA®  
**MODEL 525 (SERIALS -0685 AND -0800 AND ON)**  
 ILLUSTRATED PARTS CATALOG

PART NUMBER	CH SEC SUBJ FIG	ITEM	REQ	PART NUMBER	CH SEC SUBJ FIG	ITEM	REQ
5511061-23	53-21-00-04	-075	01	5511168-32	53-10-00-04	-042	01
5511061-24	53-21-00-04	-084	01	5511168-33	53-10-00-04	-038	01
5511061-25	53-21-00-04	-079	01	5511168-4	53-10-00-04	-017	01
5511061-29	53-21-00-04	-090	01	5511170-10	56-10-00-02	-050	01
5511061-30	53-21-00-04	-083	01	5511170-11	56-10-00-02	-040	01
5511061-31	53-21-00-04	-082	01	5511170-12	56-10-00-02	-042	01
5511061-32	53-21-00-04	-087	03	5511170-2	56-10-00-02	-043	01
5511061-35	53-21-00-04	-096	01	5511170-5	56-10-00-02	-046	01
5511061-36	53-21-00-04	-097	01	5511170-6	56-10-00-02	-047	01
5511061-40	53-21-00-04	-100	01	5511170-9	56-10-00-02	-049	01
5511061-41	53-21-00-04	-095	02	5511172-25	56-10-00-02	-002	01
5511061-42	53-21-00-04	-080	01	5511172-26	56-10-00-02	-003	01
5511061-45	53-21-00-04	-099	01	5511172-39	56-10-00-02	-033	01
5511066-5	53-21-00-04	-001	01	5511172-40	56-10-00-02	-034	01
5511066-6	53-21-00-04	-002	01	5511172-41	56-10-00-02	-027	01
5511067-19	53-20-03-01	-023	01	5511172-42	56-10-00-02	-028	01
5511067-23	53-20-03-01	-025	01	5511172-45	56-10-00-02	-037	01
5511067-24	53-20-03-01	-026	01	5511172-48	56-10-00-02	-038	01
5511067-40	53-20-03-01	-013	01	5511172-49	56-10-00-02	-039	01
5511067-41	53-20-03-01	-012	01	5511172-53	56-10-00-02	-035	01
5511067-42	53-20-03-01	-022	01	5511172-54	56-10-00-02	-036	01
5511067-43	53-20-03-01	-024	01	5511172-57	56-10-00-02	-031	01
5511067-44	53-20-03-01	-032	01	5511172-58	56-10-00-02	-030	01
5511070-22	53-21-00-01	-006	02	5511172-59	56-10-00-02	-007	01
5511100-15	53-20-03-01	-011	02	5511172-7	56-10-00-02	-004	01
5511100-17	53-20-03-01	-006	01	5511172-8	56-10-00-02	-005	01
5511100-19	53-20-03-01	-008	01	5511172-9	56-10-00-02	-006	01
5511100-23	53-20-03-01	-002	01	5511174-1	56-10-00-02	-001	01
5511100-24	53-20-03-01	-003	01	5511174-10	56-10-00-02	-032	02
5511100-27	53-20-03-01	-007	01	5511174-12	56-10-00-02	-024	01
5511100-28	53-20-03-01	-009	01	5511174-13	56-10-00-02	-011	01
5511100-37	53-20-03-01	-010	01	5511174-2	56-10-00-02	-010	02
5511104-17	53-20-03-01	-021	01	5511174-3	56-10-00-02	-026	01
5511104-19	53-20-03-01	-019	AR	5511174-5	56-10-00-02	-023	01
5511104-22	53-20-03-01	-027	01	5511174-6	56-10-00-02	-025	01
5511104-23	53-20-03-01	-020	01	5511174-7	56-10-00-02	-008	01
5511104-27	53-20-03-01	-018	01	5511174-8	56-10-00-02	-009	01
5511104-28	53-20-03-01	-017	01	5511176-11	56-10-00-02	-012	01
5511104-29	53-20-03-01	-029	01	5511176-13	56-10-00-02	-016	01
5511104-30	53-20-03-01	-030	01	5511176-14	56-10-00-02	-017	01
5511104-51	53-20-03-01	-035	01	5511176-2	56-10-00-02	-014	01
5511104-6	53-20-03-01	-034	01	5511176-5	56-10-00-02	-015	01
5511110-11	53-20-03-01	-081	01	5511176-6	56-10-00-02	-013	01
5511110-12	53-20-03-01	-082	01	5511176-7	56-10-00-02	-018	01
5511110-15	53-20-03-01	-075	01	5511176-8	56-10-00-02	-019	01
5511110-17	53-20-03-01	-079	01	5511223-1	52-10-01-01	-089	01
5511138-10	53-20-01-01	-004	01	5511223-2	52-10-01-01	-090	01
5511138-5	53-20-01-01	-005	02	5511223-3	52-10-01-01	-026	02
5511138-6	53-20-01-01	-002	01	5511223-3	52-10-01-01	-105	01
5511138-7	53-20-01-01	-001	01	5511223-4	52-10-01-01	-027	02
5511138-9	53-20-01-01	-003	01	5511223-4	52-10-01-01	-106	01
5511139-1	53-20-03-01	-016	04	5511230-29	52-10-01-02	-037	01
5511139-1	53-25-00-01	-007	02	5511230-29	52-20-00-01	-031	01
5511139-2	53-20-03-01	-001	01	5511230-66	52-10-01-02	-036	01
5511139-3	53-20-03-01	-004	01	5511230-96	52-10-00-02	-003	01
5511162-30	52-20-00-01	-082	02	5511232-113	52-10-00-02	-152	02
5511164-13	56-10-01-02	-011	01	5511232-114	52-10-00-02	-164	02
5511164-14	56-10-01-02	-012	01	5511232-125	52-10-01-01	-022	02
5511164-16	53-20-02-01	-006	04	5511232-125	52-10-01-01	-036	02
5511164-54	53-20-02-01	-009	02	5511232-125	52-10-01-01	-047	02
5511168-11	53-10-00-04	-043	01	5511232-125	52-10-01-01	-086	02
5511168-14	53-10-00-04	-051	01	5511232-125	52-10-01-01	-102	02



CESSNA®  
**MODEL 525 (SERIALS -0685 AND -0800 AND ON)**  
 ILLUSTRATED PARTS CATALOG

PART NUMBER	CH SEC SUBJ FIG	ITEM	REQ	PART NUMBER	CH SEC SUBJ FIG	ITEM	REQ
5511232-125	52-10-01-01	-156	02	5511237-91	52-10-00-03	-034	02
5511232-16	52-10-01-01	-001	02	5511237-92	52-10-00-03	-012	04
5511232-16	52-10-01-01	-169	02	5511237-93	52-10-00-03	-003	02
5511232-2000	52-10-01-01	-176A	01	5511237-93	52-10-00-03	-008	02
5511232-23	52-10-01-01	-002	02	5511238-15	52-10-01-02	-014	01
5511232-23	52-10-01-01	-164	02	5511238-20	52-10-01-02	-015	01
5511232-404	52-10-00-02	-091	06	5511238-5	52-10-01-02	-025	02
5511232-405	52-10-00-02	-096	01	5511239-10	53-21-00-03	-010	01
5511232-406	52-10-00-02	-097	01	5511239-35	53-21-00-03	-007	02
5511232-407	52-10-01-01	-094	NP	5511239-9	53-21-00-03	-005	01
5511232-409	52-10-01-01	-095	01	5511240-5	52-10-00-01	-038	02
5511232-415	52-10-01-01	-110	NP	5511240-6	52-10-00-01	-035	01
5511232-417	52-10-01-01	-112	01	5511240-7	52-10-00-01	-036	01
5511232-419	52-10-01-01	-031	02	5511240-8	52-10-00-01	-037	01
5511232-428	52-10-01-01	-111	NP	5511241-12	52-10-00-03	-123	02
5511232-429	52-10-01-01	-039	02	5511241-2	52-10-00-03	-112	01
5511232-430	52-10-01-01	-040	01	5511243-11	52-10-00-01	-085	01
5511232-431	52-10-01-01	-094A	02	5511243-12	52-10-00-01	-080	01
5511232-432	52-10-01-01	-110A	02	5511243-14	52-10-00-01	-086	01
5511232-433	52-10-01-01	-111A	02	5511243-17	52-10-00-01	-079	01
5511232-491	52-10-00-02	-079	01	5511243-20	52-10-00-01	-095	01
5511232-492	52-10-00-02	-080	01	5511243-21	52-10-00-01	-087	01
5511232-493	52-10-00-02	-083	01	5511243-22	52-10-00-01	-098	01
5511232-494	52-10-00-02	-081	01	5511243-23	52-10-00-01	-099	01
5511232-495	52-10-00-02	-084	01	5511243-25	52-10-00-01	-075	01
5511232-496	52-10-00-02	-082	01	5511243-27	52-10-00-01	-103	01
5511232-497	52-10-00-02	-085	01	5511243-28	52-10-00-01	-083	01
5511232-498	52-10-00-02	-086	01	5511243-6	52-10-00-01	-092	02
5511232-69	52-10-01-01	-159	02	5511244-44	52-60-00-02	-036	01
5511232-72	52-10-01-01	-012	02	5511244-45	52-60-00-02	-035	01
5511232-74	52-10-01-01	-075	01	5511244-49	52-60-00-01	-102	01
5511232-88	52-10-01-01	-076	01	5511244-49	52-60-00-02	-088	01
5511232-90	52-10-01-01	-176	NP	5511244-50	52-60-00-01	-103	01
5511232-92	52-10-01-01	-177	01	5511244-50	52-60-00-02	-089	01
5511232-93	52-10-01-01	-178	01	5511244-51	52-60-00-01	-104	01
5511232-98	52-10-01-01	-192	01	5511244-51	52-60-00-02	-090	01
5511232-99	52-10-01-01	-197	01	5511244-63	52-60-00-01	-101	02
5511233-21	52-10-00-03	-108	02	5511244-63	52-60-00-02	-042	02
5511233-24	52-10-00-03	-117	01	5511244-67	52-60-00-02	-005	01
5511233-25	52-10-00-03	-089	01	5511244-68	52-60-00-02	-044	01
5511233-73	52-10-00-03	-114	01	5511244-69	52-60-00-02	-043	01
5511233-74	52-10-00-03	-099	01	5511244-87	52-60-00-02	-033	01
5511233-76	52-10-00-03	-103	04	5511244-88	52-60-00-02	-032	01
5511233-77	52-10-00-03	-107	01	5511244-97	52-60-00-01	-108	01
5511233-78	52-10-00-03	-098	01	5511244-97	52-60-00-02	-094	01
5511233-79	52-10-00-03	-083	01	5511244-98	52-60-00-01	-106	01
5511233-80	52-10-00-03	-118	01	5511244-98	52-60-00-02	-092	01
5511234-3	52-10-00-01	-015	01	5511246-10	52-10-00-01	-107	02
5511234-6	52-10-00-01	-014	01	5511246-3	52-10-00-01	-109	01
5511237-45	52-10-00-03	-013	02	5511246-4	52-10-00-01	-111	01
5511237-46	52-10-00-03	-014	AR	5511246-6	52-10-00-01	-113	01
5511237-47	52-10-00-03	-015	AR	5511246-8	52-10-00-01	-110	02
5511237-57	52-10-00-03	-035	AR	5511247-4	52-10-00-02	-253	01
5511237-58	52-10-00-03	-023	AR	5511248-4	52-10-00-01	-005	01
5511237-83	52-10-00-03	-005	02	5511248-5	52-10-00-03	-025	01
5511237-84	52-10-00-03	-001	02	5511248-5	53-20-03-01	-273	01
5511237-85	52-10-00-03	-031	01	5511248-6	52-10-00-01	-002	01
5511237-86	52-10-00-03	-029	01	5511248-7	52-10-00-03	-028	02
5511237-87	52-10-00-03	-032	01	5511248-8	52-10-00-01	-004	01
5511237-88	52-10-00-03	-030	01	5511252-2	52-60-00-02	-052	01
5511237-89	52-10-00-03	-021	12	5511255-11	52-20-00-01	-033	01
5511237-90	52-10-00-03	-033	02	5511255-32	52-20-00-01	-018	01

CESSNA®  
**MODEL 525 (SERIALS -0685 AND -0800 AND ON)**  
 ILLUSTRATED PARTS CATALOG

PART NUMBER	CH SEC SUBJ FIG	ITEM	REQ	PART NUMBER	CH SEC SUBJ FIG	ITEM	REQ
5511255-35	52-20-00-01	-029	01	5513040-10	53-10-00-02	-238	01
5511255-46	52-20-00-01	-020	01	5513040-11	53-10-00-02	-246	01
5511255-5	52-20-00-01	-035	01	5513040-12	53-10-00-02	-242	01
5511262-1	56-20-00-01	-007	01	5513040-13	53-10-00-02	-237	01
5511270-34	56-10-00-01	-004	01	5513040-14	53-10-00-02	-240	01
5511270-35	56-10-00-01	-075	01	5513040-3	53-10-00-02	-243	01
5511270-38	56-10-00-01	-020	01	5513040-4	53-10-00-02	-244	01
5511270-39	56-10-00-01	-021	01	5513040-5	53-10-00-02	-235	01
5511270-40	56-10-00-01	-016	01	5513040-6	53-10-00-02	-236	01
5511270-41	56-10-00-01	-086	01	5513040-7	53-10-00-02	-245	01
5511270-42	56-10-00-01	-087	01	5513040-8	53-10-00-02	-241	01
5511270-8	56-10-00-01	-015	01	5513040-9	53-10-00-02	-239	01
5512020-17	53-40-00-02	-009	01	5513041-17	53-10-00-02	-229	01
5512020-17	53-40-00-02	-015	01	5513041-18	53-10-00-02	-230	01
5512020-17	53-40-00-02	-084	01	5513041-3	53-10-00-02	-227	01
5512022-9	53-40-00-03	-030	02	5513041-4	53-10-00-02	-228	01
5512040-38	53-40-00-03	-164	12	5513042-13	52-30-00-01	-036	04
5513001-43	53-10-00-03	-008	01	5513042-5	52-30-00-01	-005	02
5513001-44	53-10-00-03	-009	01	5513043-1	52-30-00-01	-035	04
5513001-45	53-10-00-03	-012	01	5513044-10	52-30-00-01	-008	02
5513001-46	53-10-00-03	-013	01	5513044-11	52-30-00-01	-010	02
5513001-47	53-10-00-03	-016	01	5513044-12	52-30-00-01	-007	02
5513010-10	53-10-00-01	-098	01	5513044-22	52-30-00-01	-011	02
5513010-18	53-10-00-01	-101	01	5513044-23	52-30-00-01	-013	02
5513010-19	53-10-00-01	-081	01	5513044-24	52-30-00-01	-012	02
5513010-20	53-10-00-01	-094	01	5513044-25	52-30-00-01	-014	02
5513010-21	53-10-00-01	-088	01	5513044-9	52-30-00-01	-009	02
5513010-22	53-10-00-01	-087	01	5513045-1	52-30-00-01	-015	02
5513010-24	53-10-00-01	-086	01	5513050-24	53-10-00-01	-114	02
5513010-26	53-10-00-01	-096	01	5513050-25	53-10-00-01	-113	02
5513010-27	53-10-00-01	-079	01	5513050-30	53-10-00-01	-108	02
5513010-45	53-10-00-01	-080	01	5513050-31	53-10-00-01	-109	02
5513010-7	53-10-00-01	-078	01	5513050-32	53-10-00-01	-110	01
5513010-8	53-10-00-01	-077	01	5513051-1	52-80-00-01	-015	02
5513010-9	53-10-00-01	-097	01	5513051-2	52-80-00-01	-016	02
5513011-10	53-10-00-01	-004	01	5513055-2	53-10-00-01	-174	02
5513011-11	53-10-00-01	-016	01	5513055-3	53-10-00-01	-165	01
5513011-12	53-10-00-01	-017	01	5513055-4	53-10-00-01	-170	01
5513011-13	53-10-00-01	-019	01	5513055-9	53-10-00-01	-154	01
5513011-14	53-10-00-01	-020	01	5513056-7	53-10-00-01	-150	01
5513011-19	53-10-00-01	-040	01	5513056-8	53-10-00-01	-151	01
5513011-20	53-10-00-01	-041	01	5513057-3	53-10-00-01	-158	01
5513011-28	53-10-00-01	-034	01	5513057-4	53-10-00-01	-164	01
5513011-29	53-10-00-01	-033	01	5513060-5	52-80-00-01	-040	02
5513011-3	53-10-00-01	-021	01	5513061-4	53-10-00-01	-178	01
5513011-30	53-10-00-01	-036	01	5513061-5	53-10-00-01	-179	01
5513011-31	53-10-00-01	-035	01	5513062-1	53-10-00-01	-175	02
5513011-32	53-10-00-01	-031	01	5513062-2	53-10-00-01	-177	01
5513011-33	53-10-00-01	-032	01	5513066-87	52-30-00-01	-001	01
5513011-34	53-10-00-01	-027	01	5513066-88	52-30-00-01	-002	01
5513011-35	53-10-00-01	-030	03	5513066-89	52-30-00-01	-003	01
5513011-36	53-10-00-01	-029	01	5513066-90	52-30-00-01	-004	01
5513011-4	53-10-00-01	-022	01	5513070-10	52-80-00-01	-036	01
5513011-5	53-10-00-01	-010	01	5513070-11	52-80-00-01	-008	02
5513011-6	53-10-00-01	-011	01	5513070-2	52-80-00-01	-007	02
5513011-7	53-10-00-01	-009	01	5513070-3	52-80-00-01	-010	01
5513011-9	53-10-00-01	-003	01	5513070-5	52-80-00-01	-009	01
5513028-12	53-10-00-02	-255	01	5513070-7	52-80-00-01	-033	01
5513028-5	53-10-00-02	-252	01	5513070-8	52-80-00-01	-034	01
5513028-6	53-10-00-02	-253	01	5513070-9	52-80-00-01	-035	01
5513028-7	53-10-00-02	-256	01	5514118-10	30-40-00-01	-023	01
5513028-8	53-10-00-02	-257	01	5514118-11	30-40-00-01	-031	01

CESSNA®  
**MODEL 525 (SERIALS -0685 AND -0800 AND ON)**  
 ILLUSTRATED PARTS CATALOG

PART NUMBER	CH SEC SUBJ FIG	ITEM	REQ	PART NUMBER	CH SEC SUBJ FIG	ITEM	REQ
5514118-12	30-40-00-01	-027	01	5514806-144	25-10-00-01	-022	01
5514118-14	30-40-00-01	-107	01	5514806-15	25-10-00-01	-001	01
5514118-15	30-40-00-01	-106	01	5514985-3	53-20-00-02	-023	01
5514120-100	21-10-00-01	-040	01	5517005-16	32-30-01-04	-008	01
5514120-100	30-40-00-03	-086	01	5517005-22	32-30-01-04	-001	01
5514120-101	30-40-00-03	-009	04	5517005-85	32-30-02-01	-019	01
5514120-13	30-40-00-03	-021	01	5517005-86	32-30-02-01	-020	01
5514120-29	30-40-00-01	-160	01	5517005-88	32-30-01-03	-041	01
5514120-37	30-40-00-03	-008	02	5517005-91	32-30-01-03	-040	01
5514120-63	30-40-00-03	-004	01	5517005-92	32-30-01-03	-042	01
5514120-65	30-40-00-03	-022	01	5517005-94	32-41-00-05	-033	01
5514120-67	30-40-00-03	-003	01	5517008-48	32-30-01-04	-043	01
5514121-2	30-40-00-02	-001	01	5517010-80	32-41-00-01	-075	01
5514121-24	30-40-00-02	-004	01	5517010-81	32-41-00-01	-087	01
5514121-26	30-40-00-02	-005	01	5517010-82	32-41-00-01	-091	01
5514121-30	30-40-00-02	-006	01	5517011-10	32-41-01-01	-005	01
5514121-7	30-40-00-02	-002	01	5517011-11	32-41-01-01	-002	01
5514121-9	30-40-00-02	-003	01	5517011-12	32-41-01-01	-013	01
5514122-33	30-40-00-01	-175	02	5517011-32	32-30-02-01	-022	01
5514122-43	30-40-00-01	-186	02	5517011-33	32-30-02-01	-051	01
5514122-47	30-40-00-01	-183	01	5517011-89	32-41-00-01	-049	01
5514122-49	30-40-00-01	-181	01	5518132-23	56-10-00-02	-051	01
5514122-50	30-40-00-01	-182	01	5518154-25	34-20-00-01	-007	02
5514122-51	30-40-00-01	-169	02	5518154-38	34-20-00-01	-002	01
5514122-52	30-40-00-01	-170	02	5518154-39	34-20-00-01	-004	01
5514122-57	30-40-00-01	-190	01	5518154-40	34-20-00-01	-009	01
5514122-58	30-40-00-01	-191	01	5519055-11	52-10-01-02	-011	01
5514122-59	30-40-00-01	-187	01	5519055-14	52-10-01-02	-022	01
5514122-85	30-40-00-01	-164	01	5519055-17	52-10-01-02	-006	01
5514122-86	30-40-00-01	-165	01	5519055-18	52-10-01-02	-003	01
5514122-87	30-40-00-01	-171	02	5519055-22	52-10-01-02	-027	01
5514122-88	30-40-00-01	-172	02	5519055-23	52-10-01-02	-026	01
5514122-91	30-40-00-01	-177	01	5519055-25	52-10-01-02	-031	AR
5514122-92	30-40-00-01	-179	01	5519055-28	52-10-01-02	-020	01
5514122-95	30-40-00-01	-178	AR	5519055-29	52-10-01-02	-009	01
5514122-96	30-40-00-01	-180	AR	5519055-30	52-10-01-02	-013	01
5514155-2	25-20-00-01	-002	02	5519055-32	52-10-01-02	-021	01
5514155-4	25-20-00-01	-007	02	5519055-33	52-10-01-02	-016	01
5514160-10	32-30-00-04	-035	01	5519055-34	52-10-01-02	-028	01
5514160-24	32-30-00-04	-041	01	5519055-35	52-10-01-02	-032	AR
5514160-42	32-30-00-04	-009	NP	5519055-37	52-10-01-02	-012	01
5514161-68	32-30-00-06	-023	01	5520151-1	25-20-00-01	-006	01
5514170-12	32-30-00-03	-006	01	5522330-2	53-20-00-01	-154	04
5514170-13	32-30-00-03	-005	01	5522876-1	55-20-00-01	-015	01
5514170-26	32-30-00-03	-004	01	5522876-1	55-20-00-01	-020	01
5514170-42	32-30-00-03	-002	01	5522876-1	55-40-00-01	-021	01
5514170-9	32-30-00-03	-009	01	5522876-1	57-60-00-02	-028	01
5514175-24	32-30-00-01	-013	01	5525502-31	27-60-00-01	-025	01
5514179-2	32-41-00-01	-184	01	5525502-32	27-60-00-01	-026	01
5514190-66	34-11-00-02	-008	01	5526250-3	28-10-00-02	-004	01
5514200-10	35-00-00-01	-019	02	5526251-6	28-10-00-02	-001	02
5514200-11	35-00-00-01	-020	02	5526300-21	28-10-00-02	-013	01
5514200-72	35-00-00-01	-022	01	5526300-21	28-20-00-01	-033	01
5514230-67	35-00-00-01	-024	01	5527214-26	30-40-00-02	-027	01
5514653-70	25-21-00-01	-007	06	5527400-2	32-30-01-04	-012	02
5514653-70	25-21-00-01	-008	07	5527401-3	32-30-00-02	-010	02
5514705-10	25-29-00-01	-016	03	5527401-3	32-30-01-04	-019	01
5514706-96	52-10-00-01	-116	01	5538341-20	24-50-02-01	-013	01
5514776-17	25-20-01-02	-027	01	5538341-21	24-50-02-01	-018	01
5514776-41	25-20-01-02	-012	04	5538341-22	24-50-02-01	-019	01
5514776-95	25-20-01-02	-019	05	5541219-1	32-10-00-01	-005	AR
5514776-96	25-20-01-02	-020	01	5541219-2	32-10-00-01	-004	01

CESSNA®  
**MODEL 525 (SERIALS -0685 AND -0800 AND ON)**  
 ILLUSTRATED PARTS CATALOG

PART NUMBER	CH SEC SUBJ FIG	ITEM	REQ	PART NUMBER	CH SEC SUBJ FIG	ITEM	REQ
5542210-1	32-20-00-01	-010	01	5565601-5	27-20-01-01	-009	01
5542213-11	32-30-01-02	-019	01	5565601-6	27-20-01-01	-010	01
5542213-16	32-30-01-02	-029	01	5565603-1	27-20-01-01	-027	02
5542213-17	32-30-01-02	-035	01	5565603-2	27-20-01-01	-028	02
5542213-20	32-30-01-02	-013	02	5565604-8	27-20-00-02	-002	01
5542213-21	32-30-01-02	-018	01	5565605-13	32-41-00-01	-025	02
5542213-22	32-30-01-02	-001	02	5565605-14	32-41-00-01	-026	02
5542213-23	32-30-01-02	-008	01	5565606-2	27-20-01-01	-037	01
5542223-1	32-40-00-02	-003	02	5565608-10	27-20-01-01	-111	01
5542224-2	32-20-00-01	-005	02	5565608-14	27-20-01-01	-113	01
5542227-8	32-30-01-04	-100	01	5565608-15	27-20-01-01	-112	01
5542309-3	32-20-00-01	-008	01	5565608-19	27-20-01-01	-114	02
5542400-3	32-20-00-01	-015	01	5565608-20	27-20-01-01	-104	01
5550001-9	11-N-25-01	-001	08	5565608-21	27-20-01-01	-103	03
5565116-1	27-30-02-02	-043	01	5565608-7	27-20-01-01	-108	01
5565254-2	76-10-01-01	-012	01	5565608-8	27-20-01-01	-110	01
5565256-4	76-10-01-01	-098	01	5565608-9	27-20-01-01	-109	01
5565275-69	27-70-00-01	-108	12	5565609-12	27-20-01-01	-162	01
5565275-87	27-70-00-01	-106	06	5565609-13	27-20-01-01	-161	01
5565275-93	27-70-00-01	-001	01	5565609-14	27-20-01-01	-160	01
5565301-3	27-20-00-02	-019	01	5565609-15	27-20-01-01	-163	01
5565301-4	27-20-00-02	-020	01	5565609-16	27-20-01-01	-164	01
5565302-11	27-20-00-02	-037	01	5565609-25	27-20-01-01	-157	01
5565302-5	27-20-00-02	-036	01	5565609-26	27-20-01-01	-158	01
5565302-8	27-20-00-02	-035	01	5565609-27	27-20-01-01	-166	01
5565302-9	27-20-00-02	-030	01	5565609-28	27-20-01-01	-165	01
5565312-2	27-20-00-02	-029	01	5565609-7	27-20-01-01	-159	01
5565312-5	27-20-00-02	-028	01	5565610-1	27-20-01-01	-167	01
5565313-1	27-20-00-02	-013	01	5565610-2	27-20-01-01	-168	01
5565313-2	27-20-00-02	-014	01	5565611-3	27-20-01-01	-035	01
5565340-13	27-30-00-02	-008	01	5565611-4	27-20-01-01	-087	01
5565340-14	27-30-00-02	-009	01	5565611-5	27-20-01-01	-036	01
5565342-3	27-30-00-02	-043	01	5565611-6	27-20-01-01	-085	01
5565342-4	27-30-00-02	-041	01	5565611-7	27-20-01-01	-086	01
5565440-34	27-10-02-01	-050	01	5565612-1	27-20-01-01	-021	04
5565440-34	27-20-02-01	-116	01	5565613-1	27-20-01-01	-080	01
5565440-34	27-30-02-01	-165	01	5565613-7	27-20-01-01	-034	01
5565460-20	27-10-02-01	-042	01	5565614-4	27-20-01-01	-089	02
5565502-36	27-30-01-01	-184	01	5565614-7	27-20-00-02	-001	01
5565502-37	27-30-01-01	-183	01	5565616-1	27-20-01-01	-022	02
5565502-43	27-30-01-01	-185	01	5565616-2	27-20-01-01	-023	02
5565502-44	27-30-01-01	-187	01	5565616-3	27-20-01-01	-033	04
5565502-46	27-30-01-01	-186	01	5565618-11	32-50-00-01	-032	01
5565502-54	27-30-01-01	-021	01	5565618-17	32-50-00-01	-078	01
5565507-3	27-30-01-01	-088	01	5565618-20	32-50-00-01	-031	01
5565507-4	27-30-01-01	-089	01	5565618-22	32-50-00-01	-019	01
5565508-3	27-30-01-01	-189	01	5565618-24	32-50-00-01	-030	01
5565508-4	27-30-01-01	-190	01	5565618-25	32-50-00-01	-022	02
5565509-3	27-30-01-01	-016	01	5565618-26	32-50-00-01	-095	01
5565512-6	27-30-01-01	-101	02	5565618-29	32-50-00-01	-111	01
5565516-3	27-30-01-01	-013	01	5565618-30	32-50-00-01	-109	01
5565516-4	27-30-01-01	-012	01	5565618-31	32-50-00-01	-114	04
5565550-29	27-30-01-01	-085	01	5565618-32	32-50-00-01	-110	01
5565550-30	27-30-01-01	-038	01	5565618-38	32-50-00-01	-075	01
5565550-46	27-30-01-01	-084	01	5565618-39	32-50-00-01	-076	01
5565550-50	27-30-01-01	-006	01	5565618-40	32-50-00-01	-083	01
5565550-79	27-30-01-01	-100	01	5565618-43	32-50-00-01	-041	01
5565600-5	27-20-01-01	-026	01	5565618-51	32-50-00-01	-037	01
5565600-6	27-20-01-01	-115	05	5565618-60	32-50-00-01	-090	01
5565600-8	27-20-00-01	-001	01	5565618-61	32-50-00-01	-096	02
5565601-1	27-20-01-01	-004	NP	5565619-3	32-50-00-01	-175	01
5565601-2	27-20-01-01	-005	NP	5565619-6	32-50-00-01	-172	NP

CESSNA®  
**MODEL 525 (SERIALS -0685 AND -0800 AND ON)**  
 ILLUSTRATED PARTS CATALOG

PART NUMBER	CH SEC SUBJ FIG	ITEM	REQ	PART NUMBER	CH SEC SUBJ FIG	ITEM	REQ
5565620-3	32-50-00-01	-105	01	6219146-7	25-21-00-01	-011	01
5565621-1	32-50-00-01	-106	01	622-5212-001	34-40-00-01	-002	01
5565623-7	32-50-00-01	-167	01	622-8114-002	23-10-00-01	-003	01
5565624-10	32-50-00-01	-168	01	622-8115-001	23-10-00-01	-006	01
5565624-12	32-50-00-01	-166	02	622-8121-001	23-10-00-01	-005	01
5565624-21	32-50-00-01	-160	01	622-9670-002	34-51-00-01	-006	01
5565624-25	32-50-00-01	-159	01	622-9670-002	34-51-00-02	-006	01
5565624-6	32-50-00-01	-169	01	6222128-1	55-30-00-01	-020	04
5565626-1	32-50-00-01	-101	01	6222128-1	55-31-00-01	-025	06
5565627-1	32-50-00-01	-161	01	6234251-1	55-20-00-01	-112	02
5565701-18	53-20-04-01	-105	01	6238377-11	53-40-00-01	-029	02
5565703-25	76-10-01-03	-020	01	6238377-17	53-40-00-01	-023	01
5565755-4	27-30-02-02	-044	01	6238377-17	53-40-00-01	-092	01
5565800-11	76-10-01-02	-036	01	6238377-17	53-40-00-01	-172	04
5565800-12	76-10-01-02	-006	01	6238377-2	53-40-00-01	-024	18
5565800-13	76-10-01-02	-007	01	6238377-2	53-40-00-01	-096	08
5565803-11	76-10-01-02	-010	01	6238377-2	53-40-00-01	-173	01
5565803-15	76-10-01-02	-025	01	6238377-21	32-30-00-04	-029	NP
5565803-15	76-10-01-02	-109	01	6238377-9	53-40-00-01	-097	01
5565804-9	76-10-01-01	-031	01	6238377-9	53-40-00-01	-177	01
5565810-25	76-10-01-03	-007	01	6252019-10	71-60-00-01	-093	01
5565810-5	76-10-01-01	-077	01	6260264-1	27-30-02-02	-001	02
5565820-9	76-10-01-02	-089	01	6290-12	36-10-00-01	-107	01
5565824-1	76-10-01-01	-032	01	6301000-12	11-N-31-04	-001	01
5596500-7	27-31-00-01	-006	02	6301000-12	11-RS-31-01	-001	01
5617115-1	21-10-00-01	-016	01	6301000-6	11-N-22-04	-002	01
5617115-1	32-41-01-01	-030	01	6301000-7	11-N-24-01	-001	02
5617115-1	36-10-00-01	-197	01	6301000-8	11-N-22-04	-075	01
5741206-2	32-30-00-02	-004	04	6301000-9	11-N-22-01	-004	01
5A	11-00-00-01	-059	AR	6308216-1	24-50-03-01	-025	01
5ARM300-11C5	23-10-00-01	-046	01	6308230-12	24-50-04-01	-028	01
5N	11-00-00-01	-086	AR	6308230-19	24-50-04-01	-028A	01
5SE1-3	27-50-00-02	-082	01	6308240-1	24-50-02-02	-007	01
5SE1-3	27-50-00-02	-083	01	6308240-10	24-50-02-02	-008B	01
5SE1-3	27-50-00-02	-085	01	6308240-11	24-50-02-02	-007C	01
5SE1-3	27-50-00-02	-086	01	6308240-2	24-50-02-02	-008	01
5SE1-3	27-50-00-02	-087	01	6308240-3	24-50-02-02	-009	01
5SE1-3	27-50-00-02	-088	01	6308240-4	24-50-02-02	-191	01
5SE1-3	27-50-00-02	-089	01	6308240-4	24-50-02-02	-192	01
5SE1-3	27-50-00-02	-090	01	6308240-5	24-50-02-02	-007A	01
5SE1-3	27-50-00-02	-091	01	6308240-6	24-50-02-02	-008A	01
5SE1-3	32-41-00-01	-174	01	6308240-8	24-50-02-02	-009A	01
600-015-1/4	28-20-00-01	-092	04	6308240-9	24-50-02-02	-007B	01
600-391	80-10-00-01	-013	01	6308528-2	32-41-00-03	-078	01
601-4301	76-10-01-03	-009	01	6308528-3	32-41-00-03	-077	01
60W1251T129	52-10-01-02	-033	01	6308533-3	32-60-00-01	-001	01
60W1251T129	52-30-00-01	-084	02	6308533-4	32-60-00-01	-003	01
60W1251T129	52-30-00-02	-078	01	6308533-7	32-60-00-01	-002	01
6200183-1	11-N-25-01	-004	02	6310000-3	53-20-03-01	-177	01
6211100-8	53-20-02-01	-018	02	6310000-4	53-20-03-01	-178	20
6211260-6	56-20-00-01	-010	07	6310000-5	53-20-03-01	-179	01
6211346-14	52-10-00-03	-024	06	6310000-6	53-20-03-01	-180	10
6211346-15	52-10-00-03	-022	06	6310122-10	53-20-07-01	-018	01
6213066-48	52-30-00-01	-027	01	6310122-11	53-20-07-01	-019	01
6213066-49	52-30-00-01	-028	01	6310122-9	53-20-07-01	-017	01
6214522-28	30-40-00-03	-041	01	6310123-10	53-20-07-01	-025	01
6214628-13	21-22-00-01	-006	01	6310123-11	53-20-07-01	-026	01
6214629-2	36-10-00-03	-004	01	6310123-12	53-20-07-01	-027	01
6219092-12	11-PP-25-01	-001	02	6310123-13	53-20-07-01	-032	01
6219092-14	11-PP-22-01	-001	01	6310123-9	53-20-07-01	-024	01
6219092-7	11-PP-22-01	-004	04	6310124-11	53-50-00-02	-225	01
6219092-78	11-PP-25-01	-005	02	6310124-12	53-50-00-02	-226	01

CESSNA®  
**MODEL 525 (SERIALS -0685 AND -0800 AND ON)**  
 ILLUSTRATED PARTS CATALOG

PART NUMBER	CH SEC SUBJ FIG	ITEM	REQ	PART NUMBER	CH SEC SUBJ FIG	ITEM	REQ
6310124-15	53-50-00-02	-229	01	6310132-10	53-50-00-02	-016	01
6310124-2	53-50-00-02	-228	01	6310132-7	53-50-00-02	-019	01
6310124-7	53-50-00-02	-230	01	6310132-8	53-50-00-02	-020	01
6310125-14	53-50-00-02	-239	01	6310133-9	53-50-00-02	-176	01
6310125-15	53-50-00-02	-235	01	6310134-15	53-50-00-02	-075	01
6310125-5	53-50-00-02	-236	01	6310134-16	53-50-00-02	-076	01
6310125-6	53-50-00-02	-237	01	6310135-10	52-40-00-01	-014	02
6310125-9	53-50-00-02	-234	01	6310135-14	52-40-00-01	-020	01
6310126-10	53-50-00-02	-241	01	6310135-16	52-40-00-01	-016	01
6310126-2	53-50-00-02	-242	01	6310135-22	52-40-00-01	-017	01
6310126-7	53-50-00-02	-240	01	6310135-24	52-40-00-01	-005	02
6310127-3	53-50-00-02	-245	01	6310135-25	52-40-00-01	-007	01
6310127-4	53-50-00-02	-246	01	6310135-26	52-40-00-01	-006	01
6310127-7	53-50-00-02	-243	01	6310135-28	52-40-00-01	-001	01
6310127-8	53-50-00-02	-244	01	6310135-29	52-40-00-01	-004	01
6310128-18	53-50-00-02	-012	01	6310135-31	52-40-00-01	-019	02
6310128-19	53-50-00-02	-175	01	6310135-32	52-40-00-01	-015	01
6310128-20	53-50-00-02	-002	01	6310135-40	52-40-00-01	-034	01
6310128-21	53-50-00-02	-001	01	6310135-41	52-40-00-01	-036	01
6310128-22	53-50-00-02	-013	01	6310135-42	52-40-00-01	-037	01
6310128-23	53-50-00-02	-015	02	6310135-46	52-40-00-01	-027	01
6310129-10	53-50-00-02	-172	01	6310135-48	52-40-00-01	-032	01
6310129-13	53-50-00-02	-166	01	6310135-49	52-40-00-01	-026	01
6310129-19	53-50-00-02	-161	01	6310135-50	52-40-00-01	-038	01
6310129-21	53-50-00-02	-162	01	6310135-51	52-40-00-01	-035	01
6310129-22	53-50-00-02	-152	01	6310135-52	52-40-00-01	-021	01
6310129-23	53-50-00-02	-153	01	6310135-9	52-40-00-01	-013	02
6310129-24	53-50-00-02	-155	01	6310136-11	53-50-00-02	-009	01
6310129-25	53-50-00-02	-156	01	6310136-12	53-50-00-02	-010	01
6310129-26	53-50-00-02	-157	02	6310136-13	53-50-00-02	-005	01
6310129-28	53-50-00-02	-151	01	6310136-14	53-50-00-02	-006	01
6310129-29	53-50-00-02	-150	01	6310136-15	53-50-00-02	-003	01
6310129-32	53-50-00-02	-154	01	6310136-16	53-50-00-02	-004	01
6310129-33	53-50-00-02	-158	02	6310136-17	53-50-00-02	-008	02
6310129-34	53-50-00-02	-159	04	6310136-18	53-50-00-02	-007	02
6310129-37	53-50-00-02	-160	01	6311001-2	53-20-00-02	-082A	02
6310129-38	53-50-00-02	-180	01	6311005-19	53-21-00-02	-090	02
6310129-39	53-50-00-02	-167	01	6311005-20	53-21-00-02	-091	01
6310129-4	53-50-00-02	-170	01	6311010-21	53-24-00-01	-004	01
6310129-40	53-50-00-02	-168	01	6311010-26	53-24-00-01	-007	01
6310129-5	53-50-00-02	-169	01	6311010-27	53-24-00-01	-006	01
6310129-9	53-50-00-02	-171	01	6311010-36	53-24-00-01	-005	01
6310130-10	53-50-00-02	-091	01	6311011-2	34-25-00-01	-013	01
6310130-11	53-50-00-02	-101	01	6311011-6	34-25-00-01	-011	01
6310130-21	53-50-00-02	-105	01	6311015-13	53-20-02-01	-012	01
6310130-22	53-50-00-02	-106	01	6311015-14	53-20-02-01	-013	01
6310130-27	53-50-00-02	-095	01	6311015-25	53-20-02-01	-002	01
6310130-30	53-50-00-02	-096	01	6311015-26	53-20-02-01	-003	01
6310130-31	53-50-00-02	-093	01	6311015-27	53-20-02-01	-010	01
6310130-32	53-50-00-02	-094	01	6311015-28	53-20-02-01	-011	01
6310130-33	53-50-00-02	-103	01	6311015-30	53-20-02-01	-001	01
6310130-34	53-50-00-02	-104	01	6311015-31	53-20-02-01	-030	01
6310130-45	53-50-00-02	-088	01	6311015-32	53-20-02-01	-031	02
6310130-46	53-50-00-02	-089	01	6311015-33	53-20-02-01	-032	01
6310130-51	53-50-00-02	-077	01	6311015-37	53-20-02-01	-014	02
6310130-52	53-50-00-02	-078	01	6311015-38	53-20-02-01	-016	02
6310130-53	53-50-00-02	-098	01	6311015-45	53-20-02-01	-027	01
6310130-54	53-50-00-02	-099	01	6311015-46	53-20-02-01	-028	01
6310131-17	53-50-00-02	-081	01	6311015-49	53-20-02-01	-023	02
6310131-18	53-50-00-02	-082	01	6311015-52	53-20-02-01	-021	03
6310131-19	53-50-00-02	-084	01	6311015-55	53-20-02-01	-020	03
6310131-20	53-50-00-02	-085	01	6311015-56	53-20-02-01	-017	01

CESSNA®  
**MODEL 525 (SERIALS -0685 AND -0800 AND ON)**  
 ILLUSTRATED PARTS CATALOG

PART NUMBER	CH SEC SUBJ FIG	ITEM	REQ	PART NUMBER	CH SEC SUBJ FIG	ITEM	REQ
6311015-57	53-20-02-01	-019	03	6311090-10	52-10-00-03	-096	01
6311015-59	53-20-02-01	-015	02	6311090-11	52-10-00-03	-097	01
6311015-60	53-20-02-01	-033	01	6311090-13	52-10-00-03	-101	01
6311040-10	53-20-00-01	-019	01	6311090-14	52-10-00-03	-091	01
6311040-12	53-20-00-01	-022	01	6311090-15	52-10-00-03	-092	01
6311040-15	53-20-00-01	-151	01	6311090-16	52-10-00-03	-093	01
6311040-17	53-20-00-01	-167	02	6311090-17	52-10-00-03	-102	01
6311040-23	53-20-00-01	-006	01	6311090-2	52-10-00-03	-088	01
6311040-24	53-20-00-01	-007	01	6311090-22	52-10-00-03	-129	01
6311040-25	53-20-00-01	-008	01	6311090-24	52-10-00-03	-106	01
6311040-26	53-20-00-01	-009	01	6311090-3	52-10-00-03	-090	01
6311040-7	53-20-00-01	-016	01	6311090-30	52-10-00-03	-111	01
6311040-8	53-20-00-01	-017	01	6311090-31	52-10-00-03	-116	01
6311040-9	53-20-00-01	-018	01	6311090-32	52-10-00-03	-115	01
6311050-1	57-00-00-01	-096	02	6311090-33	52-10-00-03	-110	01
6311050-3	57-00-00-01	-001	02	6311090-36	52-10-00-03	-127	01
6311051-13	53-50-00-01	-007	02	6311090-4	52-10-00-03	-113	01
6311051-16	53-50-00-01	-001	02	6311090-40	52-10-00-03	-087	01
6311051-2	53-50-00-01	-017	08	6311090-42	52-10-00-03	-085	01
6311052-13	53-50-00-01	-108	01	6311090-43	52-10-00-03	-086	01
6311052-14	53-50-00-01	-075	01	6311090-44	52-10-00-03	-084	01
6311052-5	53-50-00-01	-083	01	6311090-46	52-10-00-03	-122	01
6311052-6	53-50-00-01	-088	01	6311090-47	52-10-00-03	-128	01
6311061-19	56-10-01-01	-023	01	6311090-48	52-10-00-03	-119	01
6311061-20	56-10-01-01	-024	01	6311090-5	52-10-00-03	-109	01
6311062-2	56-10-00-02	-048	02	6311090-6	52-10-00-03	-100	01
6311062-5	56-10-00-02	-041	01	6311090-7	52-10-00-03	-126	01
6311062-7	56-10-00-02	-044	01	6311090-8	52-10-00-03	-094	01
6311062-8	56-10-00-02	-045	01	6311090-9	52-10-00-03	-095	01
6311063-17	56-10-01-02	-007	02	6311091-10	53-21-00-03	-015	01
6311063-7	56-10-01-02	-013	01	6311091-14	53-21-00-03	-006	01
6311063-8	56-10-01-02	-014	01	6311091-15	53-21-00-03	-008	01
6311064-2	53-20-02-01	-008	01	6311091-16	52-10-00-03	-016	01
6311064-3	53-20-02-01	-007	01	6311091-19	53-21-00-01	-096	01
6311064-4	53-20-02-01	-005	01	6311091-21	53-21-00-03	-013	01
6311064-5	53-20-02-01	-004	01	6311091-22	52-10-00-03	-017	01
6311070-1	53-10-00-04	-016	01	6311091-5	53-21-00-03	-014	01
6311080-12	53-21-00-01	-076	01	6311091-7	53-21-00-03	-009	01
6311080-15	53-21-00-01	-084	01	6311092-4	52-10-00-01	-033	01
6311080-22	53-21-00-01	-085	01	6311092-5	52-10-00-01	-031	01
6311080-28	53-21-00-01	-024	01	6311092-6	52-10-00-01	-032	01
6311080-33	53-21-00-01	-077	01	6311095-10	52-60-00-01	-086	01
6311080-38	53-21-00-01	-002	01	6311095-10	52-60-00-02	-084	01
6311080-40	53-21-00-01	-045	NP	6311095-2	52-60-00-01	-029	01
6311085-11	53-21-00-04	-047	02	6311095-2	52-60-00-02	-085	01
6311085-12	53-21-00-04	-044	01	6311095-3	52-60-00-01	-032	01
6311085-14	53-21-00-04	-043	01	6311095-5	52-60-00-01	-034	01
6311085-20	53-21-00-04	-040	01	6311095-8	52-60-00-01	-089	01
6311085-22	53-21-00-04	-037	01	6311095-8	52-60-00-02	-078	01
6311085-5	53-21-00-04	-029	01	6311095-9	52-60-00-01	-090	01
6311085-6	53-21-00-04	-030	01	6311095-9	52-60-00-02	-079	01
6311085-7	53-21-00-04	-041	01	6311096-10	53-20-03-01	-101	02
6311085-8	53-21-00-04	-042	01	6311096-11	53-20-03-01	-099	02
6311085-9	53-21-00-04	-036	01	6311096-14	53-20-03-01	-096	01
6311086-10	53-21-00-04	-102	01	6311096-15	53-20-03-01	-100	04
6311086-11	53-21-00-04	-101	01	6311096-16	53-20-03-01	-083	01
6311086-13	53-21-00-04	-104	01	6311096-17	53-20-03-01	-085	01
6311086-16	53-21-00-04	-085	01	6311096-24	53-20-03-01	-098	01
6311086-5	53-21-00-04	-103	01	6311096-25	53-20-03-01	-095	01
6311086-7	53-21-00-04	-112	01	6311096-30	53-20-03-01	-078	01
6311086-8	53-21-00-04	-113	01	6311096-33	53-20-03-01	-097	01
6311086-9	53-21-00-04	-105	02	6311096-34	53-20-03-01	-091	01

CESSNA®  
**MODEL 525 (SERIALS -0685 AND -0800 AND ON)**  
 ILLUSTRATED PARTS CATALOG

PART NUMBER	CH SEC SUBJ FIG	ITEM	REQ	PART NUMBER	CH SEC SUBJ FIG	ITEM	REQ
6311096-35	53-20-03-01	-089	01	6311113-18	53-20-07-01	-165	01
6311096-5	53-20-03-01	-084	01	6311113-19	53-20-07-01	-090	02
6311096-6	53-20-03-01	-077	01	6311113-2	53-20-03-01	-086	01
6311097-12	53-20-03-01	-153	01	6311113-2	53-20-03-01	-163	01
6311097-7	53-20-03-01	-150	01	6311113-2	53-20-07-01	-016	01
6311097-8	53-20-03-01	-239	01	6311113-2	53-20-07-01	-110	01
6311097-9	53-20-03-01	-152	01	6311113-20	53-20-07-01	-091	02
6311098-10	53-20-03-01	-240	01	6311113-21	53-20-03-01	-175	01
6311098-11	53-20-03-01	-244	01	6311113-21	53-20-03-01	-245	01
6311098-13	53-20-03-01	-227	01	6311113-21	53-20-03-01	-256	01
6311098-14	53-20-03-01	-237	02	6311113-21	53-20-07-01	-078	02
6311098-18	53-20-03-01	-233	01	6311113-21	53-20-07-01	-155	02
6311098-19	53-20-03-01	-249	01	6311113-21	53-20-07-01	-243	01
6311098-9	53-20-03-01	-238	01	6311113-24	53-20-07-01	-079	02
6311099-11	53-20-03-01	-164	01	6311113-27	53-20-07-01	-023	02
6311099-13	53-20-03-01	-161	01	6311113-27	53-20-07-01	-100	02
6311099-17	53-20-03-01	-162	01	6311113-27	53-20-07-01	-170	02
6311099-5	53-20-03-01	-158	01	6311113-28	53-20-07-01	-022	01
6311099-7	53-20-03-01	-248	01	6311113-28	53-20-07-01	-099	01
6311099-7	53-20-07-01	-003	02	6311113-3	53-20-07-01	-001	01
6311099-7	53-20-07-01	-097	01	6311113-3	53-20-07-01	-095	01
6311099-7	53-20-07-01	-159	02	6311113-30	53-20-07-01	-082	02
6311099-8	53-20-07-01	-004	02	6311113-36	53-20-07-01	-158	01
6311099-8	53-20-07-01	-098	01	6311113-37	53-20-07-01	-157	01
6311099-8	53-20-07-01	-160	02	6311113-38	53-20-07-01	-156	01
6311099-9	53-20-03-01	-165	01	6311113-39	53-20-07-01	-150	01
6311101-12	53-20-03-01	-176	01	6311113-4	53-20-03-01	-159	01
6311101-12	53-20-03-01	-253	01	6311113-4	53-20-07-01	-002	01
6311101-2	53-20-03-01	-255	01	6311113-4	53-20-07-01	-096	01
6311101-22	53-20-03-01	-257	01	6311113-43	53-20-07-01	-161	01
6311101-31	53-20-03-01	-259	01	6311113-45	53-20-07-01	-167	01
6311101-42	53-20-03-01	-236	01	6311113-46	53-20-07-01	-242	01
6311101-43	53-20-03-01	-270	01	6311113-5	53-20-03-01	-090	01
6311101-44	53-20-03-01	-260	01	6311113-5	53-20-07-01	-006	02
6311101-46	53-20-03-01	-258	01	6311113-5	53-20-07-01	-112	01
6311102-10	53-20-03-01	-173	01	6311113-5	53-20-07-01	-162	01
6311102-11	53-20-03-01	-169	01	6311113-51	53-20-07-01	-229	01
6311102-8	53-20-03-01	-171	01	6311113-52	53-20-07-01	-232	01
6311102-9	53-20-03-01	-174	01	6311113-53	53-20-07-01	-251	01
6311106-3	53-20-07-01	-089	01	6311113-54	53-20-07-01	-254	01
6311109-2	53-20-07-01	-153	01	6311113-56	53-20-07-01	-239	NP
6311109-4	53-20-07-01	-152	01	6311113-58	53-20-07-01	-244	01
6311112-10	53-20-00-02	-101	02	6311113-59	53-20-07-01	-240	01
6311112-11	53-20-00-02	-017	02	6311113-6	53-20-07-01	-005	02
6311112-12	53-20-00-02	-098	02	6311113-6	53-20-07-01	-111	01
6311112-13	53-20-00-02	-028	02	6311113-60	53-20-07-01	-237	NP
6311112-14	53-20-00-02	-089	02	6311113-62	53-20-07-01	-171	01
6311112-15	53-20-00-02	-031	02	6311113-64	53-20-07-01	-151	01
6311112-16	53-20-00-02	-086	02	6311113-65	53-20-07-01	-104	01
6311112-35	53-20-00-02	-079	02	6311113-66	53-20-07-01	-105	01
6311112-36	53-20-00-02	-082	02	6311113-67	53-20-07-01	-169	01
6311112-49	53-20-00-02	-003	01	6311113-68	53-20-07-01	-092	01
6311112-53	53-20-00-02	-092	01	6311113-7	53-20-07-01	-012	02
6311112-54	53-20-00-02	-093	01	6311113-7	53-20-07-01	-102	02
6311112-9	53-20-00-02	-014	02	6311113-7	53-20-07-01	-166	01
6311113-1	53-20-07-01	-015	01	6311113-70	53-20-07-01	-076	01
6311113-1	53-20-07-01	-109	01	6311113-71	53-20-07-01	-225	01
6311113-11	53-20-07-01	-009	01	6311113-72	53-20-07-01	-093	01
6311113-11	53-20-07-01	-077	02	6311113-77	53-20-07-01	-020	01
6311113-13	53-20-07-01	-085	02	6311113-78	53-20-07-01	-021	01
6311113-14	53-20-07-01	-086	02	6311113-79	53-20-07-01	-013	01
6311113-17	53-20-07-01	-164	01	6311113-8	53-20-07-01	-008	01



CESSNA®  
**MODEL 525 (SERIALS -0685 AND -0800 AND ON)**  
 ILLUSTRATED PARTS CATALOG

PART NUMBER	CH SEC SUBJ FIG	ITEM	REQ	PART NUMBER	CH SEC SUBJ FIG	ITEM	REQ
6311113-8	53-20-07-01	-101	01	6311123-11	56-20-00-01	-001	NP
6311113-80	53-20-07-01	-014	01	6311123-12	56-30-00-01	-001	NP
6311113-83	53-20-07-01	-080	01	6311123-201	56-20-00-01	-002	07
6311113-84	53-20-07-01	-081	01	6311123-208	56-30-00-01	-002	01
6311113-85	53-20-07-01	-083	01	6311124-1	53-21-00-02	-019	07
6311113-86	53-20-07-01	-084	01	6311124-100	53-21-00-02	-098	01
6311113-87	53-20-07-01	-245	01	6311124-101	53-21-00-02	-026	01
6311113-88	53-20-07-01	-248	01	6311124-102	53-21-00-02	-097	01
6311113-90	53-20-07-01	-228	01	6311124-103	53-21-00-02	-086	01
6311113-93	53-20-07-01	-258	01	6311124-104	53-21-00-01	-152	01
6311113-94	53-20-07-01	-241	01	6311124-109	53-21-00-01	-092	01
6311114-2	53-20-07-01	-075	01	6311124-11	53-21-00-02	-080	10
6311115-13	53-20-08-01	-003	01	6311124-11	53-21-00-04	-109	01
6311115-14	53-20-08-01	-004	01	6311124-110	53-21-00-01	-093	01
6311115-15	53-20-08-01	-001	01	6311124-111	53-21-00-01	-099	01
6311115-16	53-20-08-01	-002	01	6311124-112	53-21-00-01	-097	01
6311115-17	53-20-08-01	-022	01	6311124-113	53-21-00-01	-098	01
6311115-18	53-20-08-01	-023	01	6311124-114	53-21-00-01	-181	02
6311115-19	53-20-08-01	-028	01	6311124-118	53-21-00-01	-108	01
6311115-20	53-20-08-01	-029	01	6311124-119	53-21-00-01	-107	01
6311115-21	53-20-08-01	-015	01	6311124-12	53-21-00-02	-081	09
6311115-22	53-20-08-01	-016	01	6311124-12	53-21-00-04	-108	01
6311115-23	53-20-08-01	-010	04	6311124-15	53-21-00-01	-166	01
6311115-25	53-20-08-01	-005	02	6311124-16	53-21-00-01	-169	01
6311115-26	53-20-08-01	-006	02	6311124-17	53-21-00-01	-172	01
6311115-27	53-20-08-01	-007	01	6311124-19	53-21-00-01	-176	01
6311115-28	53-20-08-01	-008	01	6311124-2	53-21-00-02	-087	07
6311115-29	53-20-08-01	-012	02	6311124-20	53-21-00-01	-177	01
6311115-30	53-20-08-01	-011	02	6311124-23	53-21-00-01	-154	01
6311115-31	53-20-08-01	-018	01	6311124-26	53-21-00-01	-195	02
6311115-32	53-20-08-01	-019	01	6311124-29	53-21-00-02	-001	01
6311115-33	53-20-08-01	-017	02	6311124-3	53-21-00-01	-185	06
6311115-34	53-20-08-01	-009	04	6311124-30	53-21-00-02	-076	01
6311115-35	53-20-08-01	-013	01	6311124-37	53-21-00-02	-009	04
6311117-31	53-22-00-01	-001	01	6311124-38	53-21-00-01	-186	04
6311117-41	53-22-00-01	-005	01	6311124-4	53-21-00-01	-187	09
6311117-50	53-22-00-01	-002	01	6311124-41	53-21-00-02	-020	01
6311118-5	53-20-02-01	-025	01	6311124-42	53-21-00-02	-088	01
6311118-6	53-20-02-01	-026	01	6311124-43	53-21-00-01	-102	02
6311120-11	53-25-00-01	-027	01	6311124-44	53-21-00-01	-104	01
6311120-14	53-25-00-01	-011	01	6311124-45	53-21-00-01	-101	02
6311120-15	53-25-00-01	-019	NP	6311124-46	53-21-00-01	-103	02
6311120-16	53-25-00-01	-016	NP	6311124-5	53-21-00-01	-193	01
6311120-17	53-25-00-01	-018	07	6311124-51	53-21-00-02	-024	01
6311120-18	53-25-00-01	-015	01	6311124-52	53-21-00-02	-095	01
6311120-20	53-25-00-01	-008	01	6311124-53	53-21-00-02	-022	01
6311120-21	53-25-00-01	-001	01	6311124-54	53-21-00-02	-093	01
6311120-22	53-25-00-01	-025	02	6311124-56	53-21-00-02	-094	01
6311120-23	53-25-00-01	-023	02	6311124-59	53-21-00-01	-150	01
6311120-24	53-25-00-01	-032	NP	6311124-6	53-21-00-01	-194	01
6311120-25	53-25-00-01	-012	01	6311124-64	53-21-00-02	-075	01
6311120-27	53-25-00-01	-028	01	6311124-65	53-21-00-02	-021	03
6311120-28	53-25-00-01	-031	NP	6311124-66	53-21-00-02	-089	05
6311120-29	53-25-00-01	-030	01	6311124-67	53-21-00-02	-006	02
6311120-30	53-25-00-01	-014	01	6311124-68	53-21-00-02	-085	02
6311120-31	53-25-00-01	-013	01	6311124-7	53-21-00-02	-014	11
6311120-4	53-25-00-01	-021	01	6311124-7	53-21-00-04	-110	01
6311120-5	53-25-00-01	-020	01	6311124-71	53-21-00-02	-079	01
6311120-6	53-25-00-01	-022	01	6311124-73	53-21-00-02	-083	01
6311120-7	53-25-00-01	-024	01	6311124-75	53-21-00-02	-003	01
6311120-8	53-25-00-01	-029	01	6311124-76	53-21-00-02	-077	01
6311120-9	53-25-00-01	-026	01	6311124-77	53-21-00-02	-025	01

CESSNA®  
**MODEL 525 (SERIALS -0685 AND -0800 AND ON)**  
 ILLUSTRATED PARTS CATALOG

PART NUMBER	CH SEC SUBJ FIG	ITEM	REQ	PART NUMBER	CH SEC SUBJ FIG	ITEM	REQ
6311124-78	53-21-00-02	-096	01	6311142-2	52-10-01-01	-170	01
6311124-79	53-21-00-01	-178	03	6311142-3	52-10-00-02	-236	01
6311124-8	53-21-00-02	-018	10	6311142-4	52-10-00-02	-256	01
6311124-8	53-21-00-04	-111	01	6311142-4	52-10-01-01	-202	01
6311124-80	53-21-00-01	-100	01	6311142-5	52-10-01-01	-198	01
6311124-81	53-21-00-02	-082	01	6311142-6	52-10-01-01	-191	01
6311124-85	53-21-00-02	-023	01	6311160-10	53-20-03-01	-250	01
6311124-87	53-21-00-01	-188	01	6311160-3	53-20-03-01	-225	01
6311124-9	53-21-00-02	-034	03	6311160-5	53-20-03-01	-228	01
6311124-9	53-21-00-02	-101	03	6311160-6	53-20-03-01	-226	01
6311124-91	53-21-00-02	-002	01	6311160-8	53-20-03-01	-229	01
6311124-95	53-21-00-01	-094	02	6311167-3	53-21-00-03	-003	01
6311124-98	53-21-00-01	-196	04	6311167-4	53-21-00-03	-002	01
6311124-98	53-21-00-05	-010	13	6311167-5	53-21-00-03	-004	01
6311124-99	53-21-00-02	-031	01	6311168-8	53-10-00-04	-022	01
6311127-13	53-20-06-01	-017	01	6311169-12	53-10-00-04	-026	02
6311127-32	53-20-06-01	-018	01	6311169-13	53-10-00-04	-035	02
6311127-35	53-20-06-01	-003	01	6311169-14	53-10-00-04	-052	01
6311127-41	53-20-06-01	-005	01	6311169-15	53-10-00-04	-014	01
6311127-42	53-20-06-01	-006	01	6311169-16	53-10-00-04	-015	01
6311127-44	53-20-06-01	-004	01	6311169-17	53-10-00-04	-034	01
6311127-55	53-20-06-01	-013	01	6311169-19	53-10-00-04	-005	01
6311127-56	53-20-06-01	-014	01	6311169-20	53-10-00-04	-006	01
6311127-57	53-20-06-01	-007	01	6311169-21	53-10-00-04	-036	01
6311127-58	53-20-06-01	-008	01	6311169-22	53-10-00-04	-037	01
6311127-66	53-20-06-01	-016	01	6311169-23	53-10-00-04	-028	01
6311127-67	53-20-06-01	-015	01	6311169-24	53-10-00-04	-029	01
6311127-72	53-20-06-01	-002	01	6311169-25	53-10-00-04	-050	01
6311127-73	53-20-06-01	-001	01	6311169-5	53-10-00-04	-033	01
6311127-74	53-20-06-01	-010	01	6311170-4	53-21-00-03	-011	01
6311127-75	53-20-06-01	-009	01	6311176-10	56-10-01-02	-016	01
6311127-76	53-20-06-01	-012	01	6311176-9	56-10-01-02	-015	01
6311127-77	53-20-06-01	-011	02	6311178-1	53-21-00-01	-041	02
6311128-57	53-24-00-01	-008	01	6311178-11	53-21-00-01	-001	01
6311128-72	53-24-00-01	-010	01	6311178-14	53-21-00-01	-010	01
6311128-73	53-24-00-01	-009	01	6311178-15	53-21-00-01	-045A	01
6311130-10	52-20-00-01	-006	10	6311178-5	53-21-00-01	-020	01
6311130-10	52-20-00-01	-079	10	6311178-8	53-21-00-01	-014	01
6311130-11	52-20-00-01	-087	01	6311183-35	53-20-00-01	-076	01
6311130-12	52-20-00-01	-086	01	6311183-36	53-20-00-01	-077	01
6311130-13	52-20-00-01	-089	01	6311183-37	53-20-00-01	-083	01
6311130-14	52-20-00-01	-088	01	6311183-38	53-20-00-01	-084	01
6311130-15	52-20-00-01	-078	01	6311183-40	53-20-00-01	-091	01
6311130-16	52-20-00-01	-081	01	6311183-41	53-20-00-01	-081	01
6311130-17	52-20-00-01	-080	03	6311183-42	53-20-00-01	-082	01
6311130-18	52-20-00-01	-077	01	6311183-8	53-20-00-01	-087	02
6311130-19	52-20-00-01	-076	01	6311184-12	53-20-03-01	-263	01
6311130-2	52-20-00-01	-096	01	6311184-13	53-20-03-01	-279	01
6311130-20	52-20-00-01	-083	02	6311184-14	53-20-03-01	-271	01
6311130-3	52-20-00-01	-075	01	6311184-15	53-20-03-01	-252	01
6311130-4	52-20-00-01	-093	01	6311184-16	53-20-03-01	-262	01
6311130-5	52-20-00-01	-095	01	6311184-17	53-20-03-01	-267	01
6311130-6	52-20-00-01	-094	01	6311184-18	53-20-03-01	-265	02
6311130-7	52-20-00-01	-092	01	6311184-19	53-20-03-01	-264	01
6311130-8	52-20-00-01	-091	01	6311184-2	53-20-03-01	-261	01
6311130-9	52-20-00-01	-090	01	6311184-23	53-20-03-01	-272	01
6311140-7	53-25-00-01	-001A	01	6311184-3	53-20-03-01	-243	01
6311141-13	53-25-00-01	-016A	08	6311185-3	53-20-03-01	-002A	01
6311141-13	53-25-00-01	-031A	01	6311185-4	53-20-03-01	-003A	01
6311141-14	53-25-00-01	-019A	04	6311191-19	53-20-03-01	-246	01
6311141-14	53-25-00-01	-032A	01	6311191-2	53-20-03-01	-235	01
6311142-1	52-10-01-01	-190	01	6311191-21	53-20-03-01	-276	01

CESSNA®  
**MODEL 525 (SERIALS -0685 AND -0800 AND ON)**  
 ILLUSTRATED PARTS CATALOG

PART NUMBER	CH SEC SUBJ FIG	ITEM	REQ	PART NUMBER	CH SEC SUBJ FIG	ITEM	REQ
6311191-22	53-20-03-01	-251	01	6311213-35	53-20-00-02	-151	01
6311191-23	53-20-03-01	-277	01	6311213-37	53-20-00-02	-008	01
6311191-24	53-20-03-01	-242	01	6311213-38	53-20-00-02	-009	01
6311191-25	53-20-03-01	-234	01	6311213-9	53-20-00-02	-095	01
6311191-26	53-20-03-01	-154	01	6311214-21	53-20-07-01	-238	01
6311191-27	53-20-03-01	-278	01	6311214-22	53-20-07-01	-239A	01
6311191-28	53-20-03-01	-168	01	6311214-23	53-20-07-01	-236	01
6311191-29	53-20-03-01	-170	01	6311214-24	53-20-07-01	-237A	01
6311191-30	53-20-03-01	-172	01	6311214-32	53-20-07-01	-168	01
6311191-31	53-20-03-01	-151	01	6311223-56	53-21-00-01	-090	01
6311191-32	53-20-03-01	-233A	01	6311229-10	53-21-00-01	-159	01
6311191-33	53-20-03-01	-246A	01	6311229-6	53-21-00-01	-163	01
6311191-8	53-20-03-01	-241	01	6311229-9	53-21-00-01	-155	01
6311191-9	53-20-03-01	-254	01	6311253-1	52-20-00-01	-002	01
6311194-13	25-10-00-01	-010	01	6311253-10	52-20-00-01	-011	01
6311194-15	25-10-00-01	-005	03	6311253-11	52-20-00-01	-016	01
6311194-17	25-10-00-01	-007	01	6311253-12	52-20-00-01	-012	01
6311194-22	25-10-00-02	-007	01	6311253-13	52-20-00-01	-045	02
6311194-24	25-10-00-02	-028	01	6311253-14	52-20-00-01	-013	01
6311194-25	25-10-00-02	-034	01	6311253-4	52-20-00-01	-009	01
6311194-27	25-10-00-02	-003	01	6311253-5	52-20-00-01	-008	01
6311194-28	25-10-00-02	-012	02	6311253-6	52-20-00-01	-014	01
6311194-30	25-10-00-01	-002	01	6311253-7	52-20-00-01	-015	01
6311194-40	25-10-00-01	-003	01	6311253-8	52-20-00-01	-007	01
6311194-41	25-10-00-01	-004	01	6311253-9	52-20-00-01	-010	01
6311194-52	25-10-00-01	-031	01	6311255-2	52-20-00-01	-026	01
6311194-53	25-10-00-01	-013	NP	6311255-3	52-20-00-01	-039	01
6311194-55	25-10-00-01	-026	01	6311255-4	52-20-00-01	-032	01
6311194-56	25-10-00-02	-038	NP	6311255-8	52-20-00-01	-042	01
6311194-58	25-10-00-02	-014	NP	6311256-6	52-20-00-01	-001	01
6311194-65	25-10-00-01	-016	01	6311263-1	56-10-01-01	-001	01
6311194-66	25-10-00-02	-023	01	6311263-10	56-10-01-02	-010	03
6311194-71	25-10-00-01	-013A	01	6311263-11	56-10-01-02	-008	06
6311194-74	25-10-00-02	-014A	01	6311263-13	56-10-01-02	-005	01
6311194-78	25-10-00-02	-038A	01	6311263-14	56-10-01-02	-006	01
6311194-9	25-10-00-01	-025	01	6311263-15	56-10-01-01	-013	01
6311197-3	53-10-00-04	-007	01	6311263-16	56-10-01-01	-014	01
6311197-4	53-10-00-04	-008	01	6311263-17	56-10-01-01	-011	01
6311213-10	53-20-00-02	-096	01	6311263-18	56-10-01-01	-012	01
6311213-11	53-20-00-02	-020	01	6311263-19	56-10-01-01	-015	01
6311213-12	53-20-00-02	-021	01	6311263-2	56-10-01-01	-002	01
6311213-13	53-20-00-02	-001	01	6311263-20	56-10-01-01	-016	01
6311213-15	53-20-00-02	-102	01	6311263-21	56-10-01-02	-004	02
6311213-16	53-20-00-02	-103	01	6311263-23	56-10-01-01	-017	01
6311213-17	53-20-00-02	-090	01	6311263-24	56-10-01-01	-018	01
6311213-18	53-20-00-02	-091	01	6311263-25	56-10-01-01	-019	01
6311213-19	53-20-00-02	-077	02	6311263-26	56-10-01-01	-020	01
6311213-20	53-20-00-02	-002	01	6311263-5	56-10-01-01	-021	01
6311213-21	53-20-00-02	-097	01	6311263-6	56-10-01-01	-022	01
6311213-22	53-20-00-02	-085	01	6311263-7	56-10-01-02	-002	01
6311213-23	53-20-00-02	-078	01	6311263-8	56-10-01-02	-003	01
6311213-24	53-20-00-02	-022	01	6311263-9	56-10-01-02	-009	03
6311213-25	53-20-00-02	-013	01	6311265-1	56-10-01-01	-009	01
6311213-26	53-20-00-02	-007	01	6311265-2	56-10-01-01	-010	01
6311213-27	53-20-00-02	-010	01	6311294-15	53-20-00-01	-153	02
6311213-28	53-20-00-02	-011	01	6311294-17	53-20-00-01	-150	01
6311213-29	53-20-00-02	-018	02	6311294-21	53-20-00-01	-090	01
6311213-30	53-20-00-02	-075	04	6311294-7	27-20-01-01	-099	02
6311213-31	53-20-00-02	-094	02	6311312-12	53-20-00-02	-167	01
6311213-32	53-20-00-02	-154	01	6311312-16	53-20-00-02	-004	04
6311213-33	53-20-00-02	-153	01	6311312-17	53-50-00-01	-102	01
6311213-34	53-20-00-02	-152	01	6311312-21	53-20-00-02	-150	01

CESSNA®  
**MODEL 525 (SERIALS -0685 AND -0800 AND ON)**  
 ILLUSTRATED PARTS CATALOG

PART NUMBER	CH	SEC	SUBJ	FIG	ITEM	REQ	PART NUMBER	CH	SEC	SUBJ	FIG	ITEM	REQ
6311312-22	53	20	00	02	-168	01	6311410-10	53	20	03	01	-033	01
6311312-23	53	20	00	02	-161	01	6311410-14	53	21	00	01	-034A	01
6311312-24	53	20	00	02	-155	01	6311410-15	53	21	00	01	-028A	01
6311312-25	53	20	00	02	-156	01	6311410-16	53	21	00	04	-022A	01
6311312-27	53	20	00	02	-032	01	6311410-2	32	50	00	01	-024	01
6311312-29	53	20	00	02	-104	01	6311410-3	32	50	00	01	-023	01
6311312-3	53	50	00	01	-094	01	6311410-4	53	21	00	01	-034	01
6311312-31	53	20	00	02	-105	01	6311410-5	53	21	00	01	-028	01
6311361-14	53	21	00	01	-106	01	6311410-6	53	21	00	01	-038	02
6311361-15	53	21	00	01	-105	01	6311410-7	53	21	00	04	-022	NP
6311368-2	52	20	00	01	-027	01	6311410-8	53	21	00	04	-024	01
6311368-3	52	20	00	01	-017	01	6311411-1	53	21	00	01	-086	01
6311387-1	53	21	00	04	-027	01	6311411-2	53	21	00	01	-089	01
6311387-2	53	21	00	04	-028	01	6311412-1	53	24	00	01	-011	01
6311387-3	53	21	00	04	-092	01	6311416-1	53	20	00	01	-046	01
6311387-4	53	21	00	04	-093	01	6311416-2	53	20	00	01	-047	01
6311402-1	53	20	01	01	-018	01	6311417-3	53	20	01	01	-001A	01
6311403-1	53	20	01	01	-019	01	6311417-4	53	20	01	01	-002A	01
6311403-10	53	20	01	01	-031	01	6312000-10	53	40	00	03	-004	01
6311403-11	53	20	01	01	-033	01	6312000-11	53	40	00	03	-001	01
6311403-12	53	20	01	01	-032	01	6312000-12	53	40	00	03	-002	01
6311403-13	53	20	01	01	-056	01	6312000-15	53	40	00	03	-082	01
6311403-2	53	20	01	01	-021	01	6312000-16	53	40	00	03	-083	01
6311403-3	53	20	01	01	-020	01	6312000-19	53	40	00	03	-016	01
6311403-4	53	20	01	01	-036	01	6312000-20	53	40	00	03	-017	01
6311403-5	53	20	01	01	-035	01	6312000-21	53	40	00	03	-018	01
6311403-6	53	20	01	01	-022	01	6312000-22	53	40	00	03	-019	01
6311403-7	53	20	01	01	-010	01	6312000-25	53	40	00	03	-007	01
6311403-8	53	20	01	01	-030	02	6312000-26	53	40	00	03	-006	01
6311403-9	53	20	01	01	-028	04	6312000-27	53	40	00	03	-005	01
6311404-1	53	20	01	01	-038	01	6312000-31	53	40	00	03	-080	01
6311405-1	53	20	01	01	-008	01	6312000-32	53	40	00	03	-003	01
6311405-10	53	20	01	01	-042	02	6312000-35	53	40	00	03	-083A	01
6311405-12	53	20	01	01	-052	01	6312005-4	53	40	00	01	-170	01
6311405-14	53	20	01	01	-096	02	6312005-5	53	40	00	01	-171	01
6311405-15	53	20	01	01	-098	02	6312006-39	53	40	00	03	-081	01
6311405-16	53	20	01	01	-047	01	6312009-2	53	40	00	03	-014	02
6311405-17	53	20	01	01	-046	01	6312009-3	53	40	00	03	-015	04
6311405-18	53	20	01	01	-015	02	6312010-25	53	24	00	01	-015	01
6311405-19	53	20	01	01	-088	06	6312011-7	53	24	00	01	-014	01
6311405-2	53	20	01	01	-009	01	6312012-13	53	40	00	03	-089	02
6311405-21	53	20	00	01	-056	01	6312015-1	53	24	00	01	-012	01
6311405-22	53	20	00	01	-057	01	6312015-13	53	40	00	03	-024	01
6311405-23	53	20	01	01	-029	02	6312015-14	53	40	00	03	-025	01
6311405-5	53	20	01	01	-041	02	6312015-17	53	40	00	03	-026	01
6311405-6	53	20	01	01	-091	01	6312015-18	53	40	00	03	-027	01
6311405-7	53	20	01	01	-093	01	6312015-2	53	24	00	01	-013	01
6311405-8	53	20	01	01	-092	01	6312015-5	21	20	00	01	-006	01
6311405-9	53	20	01	01	-099	01	6312015-6	21	20	00	01	-007	01
6311406-5	53	20	01	01	-075	01	6312015-7	53	24	00	01	-016	01
6311407-1	26	20	00	02	-001	01	6312015-8	53	40	00	03	-023	01
6311407-10	53	20	01	01	-076	01	6312022-1	53	40	00	01	-162	01
6311407-11	53	20	01	01	-077	01	6312022-11	53	40	00	01	-164	01
6311407-12	53	20	01	01	-086	01	6312022-12	53	40	00	01	-161	01
6311407-13	53	20	01	01	-089	01	6312022-13	53	40	00	01	-152	01
6311407-3	53	20	01	01	-079	01	6312022-14	53	40	00	01	-159	01
6311407-4	53	20	01	01	-080	02	6312022-17	53	40	00	01	-015	01
6311407-5	53	20	01	01	-081	02	6312022-18	53	40	00	01	-086	01
6311407-6	53	20	01	01	-082	01	6312022-19	53	40	00	01	-019	01
6311407-7	53	20	01	01	-078	01	6312022-2	53	40	00	01	-150	01
6311407-8	26	20	00	02	-008	02	6312022-20	53	40	00	01	-089	01
6311410-1	53	21	00	01	-075	01	6312022-23	53	40	00	01	-014	01

CESSNA®  
**MODEL 525 (SERIALS -0685 AND -0800 AND ON)**  
 ILLUSTRATED PARTS CATALOG

PART NUMBER	CH SEC SUBJ FIG	ITEM	REQ	PART NUMBER	CH SEC SUBJ FIG	ITEM	REQ
6312022-24	53-40-00-01	-085	01	6312031-43	53-30-00-01	-010	01
6312022-25	53-40-00-01	-020	01	6312031-47	53-30-00-01	-006	01
6312022-26	53-40-00-01	-090	01	6312031-5	53-30-00-01	-084	01
6312022-29	53-40-00-01	-013	01	6312031-55	53-30-00-01	-012	01
6312022-29	53-40-00-01	-084	01	6312031-6	53-30-00-01	-085	01
6312022-3	53-40-00-01	-155	01	6312031-66	53-30-00-01	-019	01
6312022-31	53-40-00-01	-016	01	6312031-67	53-30-00-01	-001	01
6312022-31	53-40-00-01	-088	01	6312031-68	53-30-00-01	-022	01
6312022-35	53-40-00-01	-018	01	6312031-69	53-30-00-01	-005	01
6312022-36	53-40-00-01	-091	01	6312031-7	53-30-00-01	-082	01
6312022-43	53-40-00-01	-011	01	6312031-70	53-30-00-01	-023	01
6312022-47	53-40-00-01	-010	01	6312031-72	53-30-00-01	-027	01
6312022-5	53-40-00-01	-163	01	6312031-8	53-30-00-01	-087	01
6312022-51	53-40-00-01	-009	01	6312031-9	53-30-00-01	-079	01
6312022-6	53-40-00-01	-160	01	6312032-14	53-30-00-03	-041	01
6312022-62	53-40-00-01	-087	01	6312032-16	53-30-00-03	-009	01
6312022-63	53-40-00-01	-017	01	6312032-17	53-30-00-03	-037	02
6312022-64	53-40-00-01	-167	01	6312032-18	53-30-00-03	-044	01
6312022-65	53-40-00-01	-166	01	6312032-19	53-30-00-03	-045	01
6312022-66	53-40-00-01	-168	01	6312032-21	53-30-00-03	-046	01
6312022-67	53-40-00-01	-165	01	6312032-22	53-30-00-03	-047	01
6312022-68	53-40-00-01	-169	01	6312032-23	53-30-00-03	-042	01
6312022-69	53-40-00-01	-008	01	6312032-26	53-30-00-03	-020	02
6312022-7	53-40-00-01	-151	01	6312032-28	53-30-00-03	-001	01
6312022-70	53-40-00-01	-079	01	6312032-29	53-30-00-03	-029	01
6312022-72	53-40-00-01	-080	01	6312032-30	53-30-00-03	-030	01
6312022-74	53-40-00-01	-081	01	6312032-33	53-30-00-03	-025	01
6312022-76	53-40-00-01	-082	01	6312032-34	53-30-00-03	-026	01
6312022-77	53-40-00-01	-012	01	6312032-36	53-30-00-03	-013	01
6312022-78	53-40-00-01	-083	01	6312032-4	53-30-00-03	-016	01
6312022-8	53-40-00-01	-158	01	6312032-40	53-30-00-03	-036	01
6312030-11	53-30-00-02	-032	01	6312032-41	53-30-00-03	-004	01
6312030-12	53-30-00-02	-033	01	6312032-42	53-30-00-03	-005	01
6312030-13	53-30-00-02	-027	01	6312032-43	53-30-00-03	-024	01
6312030-15	53-30-00-02	-031	01	6312032-44	53-30-00-03	-038	02
6312030-16	53-30-00-02	-034	01	6312032-45	53-30-00-03	-008	01
6312030-18	53-30-00-02	-023	02	6312032-46	53-30-00-03	-035	02
6312030-19	53-30-00-02	-021	02	6312032-51	53-30-00-03	-048	01
6312030-2	53-30-00-02	-005	01	6312032-53	53-30-00-03	-017	01
6312030-22	53-30-00-02	-035	01	6312032-57	53-30-00-03	-032	01
6312030-33	53-30-00-02	-025	01	6312032-58	53-30-00-03	-031	01
6312030-35	53-30-00-02	-038	01	6312032-6	53-30-00-03	-010	01
6312030-36	53-30-00-02	-036	01	6312032-60	53-30-00-03	-023	01
6312030-38	53-30-00-02	-026	01	6312033-2	53-30-00-01	-091	01
6312030-4	53-30-00-02	-001	01	6312033-3	53-30-00-01	-088	01
6312030-40	53-30-00-02	-040	01	6312033-4	53-30-00-01	-031	01
6312030-41	53-30-00-02	-028	01	6312033-5	53-30-00-01	-094	01
6312030-42	53-30-00-02	-022	01	6312033-6	53-30-00-01	-095	01
6312030-44	53-30-00-02	-020	01	6312033-7	53-30-00-01	-096	01
6312030-46	53-30-00-02	-009	01	6312045-1	53-40-00-03	-150	01
6312030-47	53-30-00-02	-044	01	6312045-18	53-40-00-03	-163	01
6312030-5	53-30-00-02	-041	01	6312045-19	53-40-00-03	-162	01
6312030-7	53-30-00-02	-042	01	6312045-20	53-40-00-03	-170	02
6312030-8	53-30-00-02	-043	01	6312045-21	53-40-00-03	-167	02
6312031-10	53-30-00-01	-083	01	6312045-22	53-40-00-03	-169	02
6312031-27	53-30-00-01	-018	01	6312045-23	53-40-00-03	-166	02
6312031-3	53-30-00-01	-075	01	6312045-24	53-40-00-03	-168	02
6312031-30	53-30-00-01	-029	01	6312045-27	53-40-00-03	-178	04
6312031-31	53-30-00-01	-028	01	6312045-28	53-40-00-03	-157	02
6312031-32	53-30-00-01	-086	01	6312045-29	53-40-00-03	-158	02
6312031-4	53-30-00-01	-076	01	6312045-3	53-40-00-03	-165	02
6312031-41	53-30-00-01	-011	01	6312045-9	53-40-00-03	-174	04

CESSNA®  
**MODEL 525 (SERIALS -0685 AND -0800 AND ON)**  
 ILLUSTRATED PARTS CATALOG

PART NUMBER	CH SEC SUBJ FIG	ITEM	REQ	PART NUMBER	CH SEC SUBJ FIG	ITEM	REQ
6312055-10	53-40-00-03	-241	04	6312107-4	53-40-00-02	-091	01
6312055-12	53-40-00-03	-235	01	6312107-9	53-40-00-02	-090	01
6312055-13	53-40-00-03	-234	01	6312108-10	53-40-00-02	-096	01
6312055-14	53-40-00-03	-237	02	6312108-11	53-40-00-02	-097	01
6312055-15	53-40-00-03	-233	02	6312108-2	53-40-00-02	-098	01
6312055-16	53-40-00-03	-232	02	6312108-3	53-40-00-02	-095	01
6312055-17	53-40-00-03	-245	01	6312108-4	53-40-00-02	-099	01
6312055-18	53-40-00-03	-246	01	6312108-5	53-40-00-02	-093	01
6312055-2	53-40-00-03	-236	02	6312108-9	53-40-00-02	-094	01
6312055-9	53-40-00-03	-244	10	6312109-11	53-40-00-02	-150A	01
6312063-10	53-40-00-03	-021	01	6312109-4	53-40-00-02	-153	01
6312063-6	53-40-00-03	-022	01	6312109-8	53-40-00-02	-151	01
6312064-16	52-30-00-02	-099	01	6312109-9	53-40-00-02	-150	NP
6312064-17	52-30-00-02	-094	01	6312111-29	53-40-00-02	-157	01
6312064-18	52-30-00-02	-090	01	6312120-17	53-30-00-04	-009	01
6312064-19	52-30-00-02	-104	01	6312120-18	53-30-00-04	-010	01
6312064-20	52-30-00-02	-075	01	6312120-25	53-30-00-04	-011	07
6312064-21	52-30-00-02	-098	01	6312120-33	53-30-00-04	-014	01
6312064-9	52-30-00-02	-081	01	6312120-34	53-30-00-04	-015	01
6312065-10	53-40-00-03	-034	02	6312120-35	53-30-00-04	-028	01
6312065-11	53-40-00-03	-031	01	6312120-36	53-30-00-04	-029	01
6312065-12	53-40-00-03	-077	02	6312120-37	53-30-00-04	-030	01
6312065-13	53-40-00-03	-032	01	6312120-38	53-30-00-04	-031	01
6312065-17	53-40-00-03	-028	01	6312120-39	53-30-00-04	-034	01
6312065-19	53-40-00-01	-021	01	6312120-40	53-30-00-04	-035	01
6312065-20	53-40-00-03	-029	01	6312120-41	53-30-00-04	-032	01
6312065-3	53-40-00-01	-022	01	6312120-42	53-30-00-04	-033	01
6312065-9	53-40-00-03	-033	01	6312120-43	53-30-00-04	-026	01
6312085-13	32-70-00-02	-001	01	6312120-44	53-30-00-04	-027	01
6312101-12	53-40-00-02	-001	01	6312120-45	53-30-00-04	-024	01
6312101-2	53-40-00-02	-003	01	6312120-46	53-30-00-04	-025	01
6312101-2	53-40-00-02	-005	07	6312120-47	53-30-00-04	-022	01
6312101-2	53-40-00-02	-085	04	6312120-48	53-30-00-04	-023	01
6312101-2	53-40-00-02	-092	01	6312120-49	53-30-00-04	-020	01
6312101-4	53-40-00-02	-002	01	6312120-50	53-30-00-04	-021	01
6312102-10	53-40-00-02	-008	01	6312120-55	53-30-00-04	-016	01
6312102-11	53-40-00-02	-007	01	6312120-56	53-30-00-04	-017	01
6312102-9	53-40-00-02	-010	01	6312120-57	53-30-00-04	-018	01
6312102-9	53-40-00-02	-016	01	6312120-58	53-30-00-04	-019	01
6312102-9	53-40-00-02	-025	02	6312120-60	53-30-00-04	-013	01
6312102-9	53-40-00-02	-082	02	6312120-61	53-30-00-04	-012	01
6312103-3	53-40-00-02	-013	01	6312120-65	53-30-00-04	-006	02
6312103-4	53-40-00-02	-014	01	6312120-71	53-30-00-04	-005	01
6312104-2	53-40-00-02	-022	01	6312120-73	53-30-00-04	-001	01
6312104-3	53-40-00-02	-021	01	6312161-1	53-40-00-03	-225	01
6312104-6	53-40-00-02	-023	01	6312167-6	52-30-00-02	-020	01
6312105-12	53-40-00-02	-083	01	6312167-7	52-30-00-02	-021	01
6312105-15	53-40-00-02	-080	02	6312168-10	52-30-00-02	-030	01
6312105-16	53-40-00-02	-077	01	6312168-11	52-30-00-02	-032	01
6312105-2	53-40-00-02	-024	01	6312168-12	52-30-00-02	-033	01
6312105-2	53-40-00-02	-081	01	6312168-6	52-30-00-02	-031	01
6312105-5	53-40-00-02	-075	01	6312168-9	52-30-00-02	-034	01
6312105-6	53-40-00-02	-076	01	6312170-17	52-30-00-02	-012	02
6312105-8	53-40-00-02	-079	01	6312170-61	52-30-00-02	-016	02
6312105-9	53-40-00-02	-078	01	6312170-63	52-30-00-02	-014	01
6312106-11	53-40-00-02	-102	NP	6312170-64	52-30-00-02	-015	01
6312106-12	53-40-00-02	-103	01	6312170-65	52-30-00-02	-008	01
6312106-15	53-40-00-02	-102A	01	6312170-66	52-30-00-02	-009	01
6312106-2	53-40-00-02	-100	01	6312170-68	52-30-00-02	-011	01
6312106-2	53-40-00-02	-101	04	6312170-69	52-30-00-02	-019	01
6312106-2	53-40-00-02	-104	01	6312170-75	52-30-00-02	-010	01
6312107-3	53-40-00-02	-089	01	6312170-79	52-30-00-02	-007	01

CESSNA®  
**MODEL 525 (SERIALS -0685 AND -0800 AND ON)**  
 ILLUSTRATED PARTS CATALOG

PART NUMBER	CH SEC SUBJ FIG	ITEM	REQ	PART NUMBER	CH SEC SUBJ FIG	ITEM	REQ
6312170-80	52-30-00-02	-001	01	6312269-5	54-60-00-01	-015	01
6312170-82	52-30-00-02	-013	02	6312269-6	54-60-00-01	-016	01
6312202-46	54-60-00-01	-019	01	6312269-7	54-60-00-01	-017	01
6312202-6	54-50-00-02	-001	02	6312269-8	54-60-00-01	-018	01
6312202-71	54-60-00-01	-010	01	6312269-9	54-60-00-01	-025	01
6312203-50	54-50-00-01	-038	08	6312271-100	54-50-01-01	-046	01
6312203-51	54-50-00-01	-037	16	6312271-101	54-50-01-01	-014	01
6312204-39	54-50-01-01	-033	02	6312271-102	54-50-01-01	-015	01
6312204-61	54-10-00-01	-008	02	6312271-15	54-50-01-01	-027	01
6312204-62	54-10-00-01	-009	02	6312271-16	54-50-01-01	-031	01
6312220-5	53-24-00-01	-017	01	6312271-39	54-50-01-01	-019	02
6312220-6	53-24-00-01	-018	01	6312271-40	54-50-01-01	-021	01
6312225-5	53-30-00-04	-004	01	6312271-41	54-50-01-01	-020	01
6312259-1	54-10-00-01	-039	01	6312271-42	54-50-01-01	-022	01
6312259-2	54-10-00-01	-040	01	6312271-44	54-50-01-01	-007	01
6312259-3	54-10-00-01	-041	01	6312271-49	54-50-01-01	-034	01
6312259-4	54-10-00-01	-042	01	6312271-50	54-50-01-01	-035	01
6312259-7	54-10-00-01	-046	04	6312271-51	54-50-01-01	-036	01
6312259-8	54-10-00-01	-047	04	6312271-52	54-50-01-01	-037	01
6312262-3	54-60-00-01	-001	01	6312271-57	54-50-01-01	-038	01
6312262-4	54-60-00-01	-002	01	6312271-58	54-50-01-01	-039	01
6312264-3	54-60-00-01	-003	01	6312271-59	54-50-01-01	-040	01
6312264-4	54-60-00-01	-004	01	6312271-6	54-50-01-01	-042	02
6312266-29	54-50-00-01	-048	01	6312271-60	54-50-01-01	-041	01
6312266-30	54-50-00-01	-049	01	6312271-69	54-50-01-01	-043	01
6312266-31	54-50-00-01	-023	01	6312271-70	54-50-01-01	-044	01
6312266-32	54-50-00-01	-024	01	6312271-73	54-50-01-01	-023	01
6312266-37	54-50-00-01	-031	01	6312271-74	54-50-01-01	-025	01
6312266-38	54-50-00-01	-032	01	6312271-75	54-50-01-01	-001	01
6312266-39	54-50-00-01	-035	01	6312271-76	54-50-01-01	-002	01
6312266-40	54-50-00-01	-036	01	6312271-79	54-50-01-01	-024	01
6312266-41	54-50-00-01	-029	01	6312271-80	54-50-01-01	-026	01
6312266-42	54-50-00-01	-030	01	6312271-85	54-50-01-01	-004	01
6312266-43	54-50-00-01	-033	01	6312271-86	54-50-01-01	-011	01
6312266-44	54-50-00-01	-034	01	6312271-87	54-50-01-01	-005	01
6312266-46	54-50-00-01	-045	02	6312271-88	54-50-01-01	-012	01
6312266-51	36-10-00-01	-020	01	6312271-89	54-50-01-01	-006	01
6312266-52	36-10-00-01	-021	01	6312271-90	54-50-01-01	-013	01
6312266-53	36-10-00-01	-022	01	6312271-97	54-50-01-01	-016	01
6312266-54	36-10-00-01	-023	01	6312271-98	54-50-01-01	-017	01
6312266-57	54-50-00-01	-043	01	6312271-99	54-50-01-01	-045	01
6312266-58	54-50-00-01	-044	01	6312274-1	54-50-00-01	-002	01
6312266-61	54-50-00-01	-046	01	6312274-10	54-50-00-01	-051	01
6312266-62	54-50-00-01	-047	01	6312274-11	54-50-00-01	-052	01
6312268-21	36-10-00-01	-039	01	6312274-12	54-50-00-01	-053	01
6312268-22	36-10-00-01	-040	01	6312274-13	54-50-00-01	-008	01
6312268-25	36-10-00-01	-035	01	6312274-14	54-50-00-01	-009	01
6312268-26	36-10-00-01	-036	01	6312274-15	54-50-00-01	-006	01
6312268-27	36-10-00-01	-024	01	6312274-16	54-50-00-01	-007	01
6312268-28	36-10-00-01	-025	01	6312274-17	54-50-00-01	-012	01
6312268-29	36-10-00-01	-031	01	6312274-18	54-50-00-01	-013	01
6312268-30	36-10-00-01	-032	01	6312274-19	54-50-00-01	-010	01
6312268-31	36-10-00-01	-033	01	6312274-2	54-50-00-01	-003	01
6312268-32	36-10-00-01	-034	01	6312274-20	54-50-00-01	-011	01
6312268-33	36-10-00-01	-037	01	6312274-21	54-50-00-01	-017	01
6312268-34	36-10-00-01	-038	01	6312274-22	54-50-00-01	-018	01
6312268-35	36-10-00-01	-029	01	6312274-23	54-50-00-01	-015	01
6312268-36	36-10-00-01	-030	01	6312274-24	54-50-00-01	-016	01
6312269-1	54-60-00-01	-007	01	6312274-25	54-50-00-01	-021	01
6312269-10	54-60-00-01	-026	01	6312274-26	54-50-00-01	-022	01
6312269-11	54-60-00-01	-008	01	6312274-27	54-50-00-01	-019	01
6312269-12	54-60-00-01	-009	01	6312274-28	54-50-00-01	-020	01

CESSNA®  
**MODEL 525 (SERIALS -0685 AND -0800 AND ON)**  
 ILLUSTRATED PARTS CATALOG

PART NUMBER	CH	SEC	SUBJ	FIG	ITEM	REQ	PART NUMBER	CH	SEC	SUBJ	FIG	ITEM	REQ
6312274-29	54	50	00	01	-014	02	6312703-81	54	60	00	01	-020	01
6312274-3	54	50	00	01	-004	01	6312703-82	54	60	00	01	-021	01
6312274-4	54	50	00	01	-005	01	6312703-83	54	60	00	01	-022	01
6312274-5	54	50	00	01	-039	01	6312703-84	54	60	00	01	-023	01
6312274-6	54	50	00	01	-040	01	6312705-80	36	10	00	01	-052	02
6312274-7	54	50	00	01	-041	01	6313010-13	53	24	00	01	-001	01
6312274-8	54	50	00	01	-042	01	6313010-17	53	24	00	01	-002	01
6312274-9	54	50	00	01	-050	01	6313010-18	53	24	00	01	-003	01
6312276-3	54	50	00	01	-056	01	6313020-10	53	10	00	03	-011	01
6312276-4	54	50	00	01	-057	01	6313020-11	53	10	00	03	-014	01
6312276-5	54	50	00	01	-058	01	6313020-12	53	10	00	03	-015	01
6312276-6	54	50	00	01	-059	01	6313020-19	53	10	00	03	-020	01
6312276-7	54	50	00	01	-054	01	6313020-2	53	10	00	03	-001	01
6312276-8	54	50	00	01	-055	01	6313020-20	53	10	00	03	-021	01
6312277-1	54	50	00	02	-014	01	6313020-21	53	10	00	03	-022	01
6312277-10	54	50	00	02	-021	01	6313020-22	53	10	00	03	-023	01
6312277-11	54	50	00	02	-024	01	6313020-23	53	10	00	03	-018	01
6312277-12	54	50	00	02	-025	01	6313020-24	53	10	00	03	-019	01
6312277-2	54	50	00	02	-015	01	6313020-25	53	10	00	03	-024	01
6312277-3	54	50	00	02	-026	01	6313020-26	53	10	00	03	-025	01
6312277-4	54	50	00	02	-027	01	6313020-27	53	10	00	03	-026	01
6312277-5	54	50	00	02	-016	01	6313020-28	53	10	00	03	-027	01
6312277-6	54	50	00	02	-017	01	6313020-29	53	10	00	03	-028	01
6312277-7	54	50	00	02	-022	01	6313020-3	53	10	00	03	-002	01
6312277-8	54	50	00	02	-023	01	6313020-30	53	10	00	03	-029	01
6312277-9	54	50	00	02	-020	01	6313020-32	53	10	00	03	-017	01
6312278-1	54	60	00	01	-005	01	6313020-33	53	10	00	03	-030	01
6312278-10	54	60	00	01	-012	01	6313020-4	53	10	00	03	-003	01
6312278-2	54	60	00	01	-006	01	6313020-5	53	10	00	03	-004	01
6312278-5	54	60	00	01	-013	01	6313020-6	53	10	00	03	-005	01
6312278-6	54	60	00	01	-014	01	6313020-7	53	10	00	03	-006	01
6312278-7	54	60	00	01	-024	01	6313020-8	53	10	00	03	-007	01
6312278-9	54	60	00	01	-011	01	6313020-9	53	10	00	03	-010	01
6312316-29	53	40	00	01	-004	01	6313030-15	53	10	00	02	-002	01
6312316-30	53	40	00	01	-078	01	6313030-16	53	10	00	02	-012	01
6312316-31	53	40	00	01	-003	01	6313030-17	53	10	00	02	-011	01
6312316-32	53	40	00	01	-077	01	6313030-20	53	10	00	02	-005	01
6312316-33	53	40	00	01	-002	01	6313030-22	53	10	00	02	-008	01
6312316-34	53	40	00	01	-076	01	6313032-10	53	10	00	02	-156	01
6312316-35	53	40	00	01	-001	01	6313032-2	53	10	00	02	-150	01
6312316-36	53	40	00	01	-075	01	6313032-3	53	10	00	02	-158	01
6312316-37	53	40	00	01	-153	01	6313032-4	53	10	00	02	-159	01
6312316-38	53	40	00	01	-157	01	6313032-5	53	10	00	02	-151	01
6312316-39	53	40	00	01	-154	01	6313032-6	53	10	00	02	-152	01
6312316-40	53	40	00	01	-156	01	6313032-7	53	10	00	02	-153	01
6312321-1	53	40	00	03	-084	01	6313032-8	53	10	00	02	-154	01
6312322-1	53	40	00	03	-085	01	6313032-9	53	10	00	02	-155	01
6312328-31	53	40	00	01	-007	01	6313033-2	53	10	00	02	-161	01
6312328-32	53	40	00	01	-006	01	6313033-3	53	10	00	02	-162	01
6312328-37	53	40	00	01	-005	01	6313033-4	53	10	00	02	-163	01
6312343-7	53	40	00	02	-158	01	6313034-2	53	10	00	02	-247	01
6312343-8	53	40	00	02	-159	01	6313034-3	53	10	00	02	-250	01
6312381-17	54	50	01	01	-032	02	6313034-4	53	10	00	02	-251	01
6312441-2	53	40	00	02	-156	01	6313034-5	53	10	00	02	-248	01
6312703-13	54	50	00	01	-025	01	6313034-6	53	10	00	02	-249	01
6312703-14	54	50	00	01	-026	01	6313034-7	53	10	00	02	-254	01
6312703-15	54	50	00	01	-027	01	6313034-8	53	10	00	02	-259	01
6312703-16	54	50	00	01	-028	01	6313034-9	53	10	00	02	-258	01
6312703-55	54	50	00	02	-006	01	6313036-2	53	10	00	02	-174	01
6312703-56	54	50	00	02	-007	01	6313042-15	53	10	00	02	-003	01
6312703-75	54	50	00	02	-010	01	6313042-3	53	10	00	02	-075	01
6312703-76	54	50	00	02	-011	01	6313042-4	53	10	00	02	-076	01



CESSNA®  
**MODEL 525 (SERIALS -0685 AND -0800 AND ON)**  
 ILLUSTRATED PARTS CATALOG

PART NUMBER	CH SEC SUBJ FIG	ITEM	REQ	PART NUMBER	CH SEC SUBJ FIG	ITEM	REQ
6313042-6	53-10-00-02	-004	01	6313081-57	53-11-00-01	-021	01
6313044-3	52-30-00-01	-006	02	6313081-57	53-11-00-01A	-170	01
6313045-1	52-30-00-01	-016	02	6313081-58	53-11-00-01	-107	01
6313050-22	53-10-00-01	-002	01	6313081-58	53-11-00-01A	-105	01
6313050-25	53-10-00-01	-001	01	6313081-59	53-11-00-01	-034	01
6313051-10	53-10-00-01	-024	01	6313081-59	53-11-00-01A	-182	01
6313051-11	53-10-00-01	-025	01	6313081-60	53-11-00-01	-108	01
6313051-12	53-10-00-01	-026	01	6313081-60	53-11-00-01A	-106	01
6313051-13	53-10-00-01	-107	02	6313090-1	53-10-00-02	-225	01
6313051-14	53-10-00-01	-091	01	6313090-10	53-10-00-02	-234	01
6313051-15	53-10-00-01	-105	01	6313090-2	53-10-00-02	-226	01
6313051-16	53-10-00-01	-104	01	6313090-7	53-10-00-02	-231	01
6313051-17	53-10-00-01	-106	01	6313090-8	53-10-00-02	-232	01
6313051-18	53-10-00-01	-112	01	6313090-9	53-10-00-02	-233	01
6313051-19	53-10-00-01	-102	01	6313100-17	53-12-00-01	-022	04
6313051-2	53-10-00-01	-013	01	6313100-19	53-12-00-01	-003	01
6313051-20	53-10-00-01	-103	01	6313100-20	53-12-00-01	-004	01
6313051-21	53-10-00-01	-099	01	6313100-27	53-12-00-01	-005	01
6313051-22	53-10-00-01	-111	01	6313100-28	53-12-00-01	-006	01
6313051-25	53-10-00-01	-038	01	6313101-10	53-12-00-01	-012	01
6313051-26	53-10-00-01	-043	01	6313101-11	53-12-00-01	-010	01
6313051-27	53-10-00-01	-042	01	6313101-13	53-12-00-01	-013	01
6313051-28	53-10-00-01	-046	01	6313101-14	53-12-00-01	-014	01
6313051-3	53-10-00-01	-014	01	6313101-15	53-12-00-01	-025	02
6313051-32	53-10-00-01	-076	01	6313101-16	53-12-00-01	-026	02
6313051-33	53-10-00-01	-012	01	6313101-17	53-12-00-01	-027	04
6313051-38	53-10-00-01	-037	01	6313101-20	53-12-00-01	-016	02
6313051-39	53-10-00-01	-039	01	6313101-202	53-12-00-01	-009	01
6313051-4	53-10-00-01	-015	01	6313101-203	53-12-00-01	-031	02
6313051-46	53-10-00-01	-092	01	6313101-204	53-12-00-01	-032	02
6313051-5	53-10-00-01	-005	01	6313101-21	53-12-00-01	-017	01
6313051-51	53-10-00-01	-045	01	6313101-23	53-12-00-01	-018	01
6313051-6	53-10-00-01	-006	01	6313101-24	53-12-00-01	-019	01
6313051-7	53-10-00-01	-007	01	6313101-25	53-12-00-01	-020	01
6313051-8	53-10-00-01	-008	01	6313101-27	53-10-00-02	-015	02
6313051-9	53-10-00-01	-023	01	6313101-42	53-12-00-01	-015	01
6313080-14	53-11-00-02	-020	01	6313101-46	53-12-00-01	-021	01
6313080-14	53-11-00-02A	-019	01	6313101-47	53-12-00-01	-008	NP
6313080-24	53-11-00-02	-110	01	6313101-51	53-12-00-01	-039	01
6313080-24	53-11-00-02A	-108	01	6313101-9	53-12-00-01	-011	01
6313080-28	53-11-00-01A	-085	01	6313110-3	52-30-00-01	-033	01
6313080-28	53-11-00-02	-117	01	6313110-4	52-30-00-01	-034	01
6313080-28	53-11-00-02A	-114	01	6313110-7	52-30-00-01	-029	01
6313080-34	53-11-00-02	-091	02	6313142-7	53-10-00-02	-001	01
6313080-34	53-11-00-02A	-021	01	6313150-2	53-10-00-01	-075	01
6313080-34	53-11-00-02A	-087	01	6313180-19	53-11-00-03	-019	01
6313080-36	25-50-00-01	-019	05	6313180-20	53-11-00-03	-002	01
6313080-37	53-11-00-02	-019	01	6313182-1	53-11-00-01	-035	01
6313080-37	53-11-00-02A	-018	01	6313182-1	53-11-00-01A	-183	01
6313080-48	53-11-00-02	-005	01	6313182-11	53-11-00-02	-078	01
6313080-48	53-11-00-02A	-005	01	6313182-11	53-11-00-02A	-078	01
6313081-17	53-11-00-01	-022	01	6313182-12	53-11-00-02	-034	01
6313081-17	53-11-00-01A	-171	01	6313182-12	53-11-00-02A	-028	01
6313081-18	53-11-00-01	-109	01	6313182-13	53-10-00-01	-115	04
6313081-18	53-11-00-01A	-107	01	6313182-14	53-11-00-02	-102	01
6313081-23	53-11-00-02	-016	01	6313182-16	53-11-00-02	-115	01
6313081-23	53-11-00-02A	-015	01	6313182-17	53-11-00-02	-017	01
6313081-25	53-11-00-01	-040	01	6313182-17	53-11-00-02A	-016	01
6313081-25	53-11-00-01A	-188	01	6313182-18	53-11-00-02	-083	01
6313081-28	25-70-00-01	-089	01	6313182-18	53-11-00-02A	-083	01
6313081-29	53-11-00-01	-039	01	6313182-2	53-11-00-02	-018	01
6313081-29	53-11-00-01A	-187	01	6313182-2	53-11-00-02A	-017	01

CESSNA®  
**MODEL 525 (SERIALS -0685 AND -0800 AND ON)**  
 ILLUSTRATED PARTS CATALOG

PART NUMBER	CH	SEC	SUBJ	FIG	ITEM	REQ	PART NUMBER	CH	SEC	SUBJ	FIG	ITEM	REQ
6313182-21	53	11	00	01	-037	01	6313187-1	53	11	00	01A	-161	02
6313182-21	53	11	00	01A	-185	01	6313187-11	25	70	00	01	-078	01
6313182-22	53	11	00	02	-011	01	6313187-12	25	70	00	01	-027	01
6313182-22	53	11	00	02A	-010	01	6313187-13	25	70	00	01	-075	01
6313182-23	53	11	00	02A	-113	01	6313187-14	25	70	00	01	-076	01
6313182-24	53	11	00	01A	-091	01	6313187-17	53	11	00	01	-027	01
6313182-25	53	11	00	01A	-049	01	6313187-17	53	11	00	01	-101	01
6313182-26	53	11	00	01A	-016	01	6313187-17	53	11	00	01A	-101	01
6313182-27	53	11	00	01A	-017	01	6313187-17	53	11	00	01A	-176	01
6313182-28	53	11	00	01A	-092	01	6313187-18	25	70	00	01	-086	01
6313182-29	53	11	00	01A	-093	01	6313187-19	25	70	00	01	-082	01
6313182-3	53	11	00	02	-081	01	6313187-2	53	11	00	01	-013	01
6313182-3	53	11	00	02A	-081	01	6313187-2	53	11	00	01A	-162	01
6313182-33	53	11	00	01A	-029	01	6313187-20	25	70	00	01	-088	01
6313182-34	53	11	00	01A	-087	01	6313187-21	25	70	00	01	-081	01
6313182-35	53	11	00	01A	-034	01	6313187-22	25	70	00	01	-085	01
6313182-36	53	11	00	01A	-075	01	6313187-23	53	11	00	01	-085	01
6313182-37	53	11	00	01A	-094	01	6313187-23	53	11	00	01A	-011	01
6313182-38	53	11	00	02A	-098	01	6313187-24	53	11	00	01	-084	01
6313182-39	53	11	00	02A	-024	01	6313187-24	53	11	00	01A	-010	01
6313182-4	53	11	00	01	-036	01	6313187-25	53	11	00	01	-010	01
6313182-4	53	11	00	01A	-184	01	6313187-25	53	11	00	01A	-159	01
6313182-40	53	11	00	01A	-030	01	6313187-26	53	11	00	01	-029	01
6313182-41	53	11	00	01A	-090	01	6313187-26	53	11	00	01A	-178	01
6313182-42	53	11	00	01A	-050	01	6313187-27	53	11	00	01	-010A	01
6313182-43	53	11	00	01A	-031	01	6313187-27	53	11	00	01A	-159A	01
6313182-44	53	11	00	02A	-102	01	6313187-28	53	11	00	01A	-165A	01
6313182-45	53	11	00	01A	-015	01	6313187-29	53	11	00	01	-010B	01
6313182-47	53	11	00	01A	-022	01	6313187-29	53	11	00	01A	-159B	01
6313182-5	53	11	00	02	-048	01	6313187-3	53	11	00	01	-014	01
6313182-5	53	11	00	02A	-042	01	6313187-3	53	11	00	01A	-163	01
6313182-50	53	11	00	01A	-018	01	6313187-4	53	11	00	01	-086	02
6313182-51	53	11	00	01A	-039	01	6313187-4	53	11	00	01A	-012	02
6313182-52	53	11	00	01A	-048	01	6313187-5	53	11	00	01	-087	01
6313182-53	53	11	00	01A	-047	01	6313187-5	53	11	00	01A	-013	01
6313182-54	25	50	00	01	-020	01	6313187-6	53	11	00	01	-030	01
6313182-55	53	11	00	02	-102A	01	6313187-6	53	11	00	01A	-179	01
6313182-56	53	11	00	03	-011A	01	6313187-7	53	11	00	01	-028	01
6313182-57	53	11	00	03	-011B	01	6313187-7	53	11	00	01A	-177	01
6313182-58	53	11	00	02	-078A	01	6313188-2	25	80	00	03	-016	01
6313182-58	53	11	00	02A	-078A	01	6313191-1	53	10	01	01	-001	AR
6313182-59	53	11	00	02	-011A	01	6313191-2	53	10	01	01	-002	AR
6313182-59	53	11	00	02A	-010A	01	6313191-3	53	10	01	01	-006	01
6313182-7	53	11	00	02	-082	01	6313281-8	53	11	00	01	-105	01
6313182-7	53	11	00	02A	-082	01	6313282-10	53	11	00	02	-043	01
6313182-9	53	11	00	02	-001	01	6313282-10	53	11	00	02A	-037	01
6313182-9	53	11	00	02A	-001	01	6313282-11	53	11	00	02	-044	01
6313186-10	53	11	00	01	-007B	01	6313282-11	53	11	00	02A	-038	01
6313186-10	53	11	00	01A	-156B	01	6313282-12	53	11	00	02	-038	01
6313186-3	53	11	00	01	-001	01	6313282-12	53	11	00	02A	-032	01
6313186-3	53	11	00	01A	-150	01	6313282-21	53	11	00	01	-033	01
6313186-4	53	11	00	01	-075	01	6313282-21	53	11	00	01A	-181	01
6313186-4	53	11	00	01A	-001	01	6313282-26	53	11	00	02	-039	04
6313186-6	53	11	00	01	-081	01	6313282-26	53	11	00	02A	-033	04
6313186-6	53	11	00	01A	-007	01	6313282-27	53	11	00	02	-040	01
6313186-7	53	11	00	01	-007	01	6313282-27	53	11	00	02A	-034	01
6313186-7	53	11	00	01A	-156	01	6313282-29	53	11	00	02	-041	01
6313186-8	53	11	00	01	-023	01	6313282-29	53	11	00	02A	-035	01
6313186-8	53	11	00	01A	-172	01	6313282-30	53	11	00	02	-042	01
6313186-9	53	11	00	01	-007A	01	6313282-30	53	11	00	02A	-036	01
6313186-9	53	11	00	01A	-156A	01	6313282-31	53	11	00	01	-093	01
6313187-1	53	11	00	01	-012	02	6313282-35	53	11	00	02	-015	01

CESSNA®  
**MODEL 525 (SERIALS -0685 AND -0800 AND ON)**  
 ILLUSTRATED PARTS CATALOG

PART NUMBER	CH SEC SUBJ FIG	ITEM	REQ	PART NUMBER	CH SEC SUBJ FIG	ITEM	REQ
6313282-35	53-11-00-02A	-014	01	6314118-11	30-40-00-01	-086	02
6313282-36	53-11-00-02	-037	01	6314118-13	30-40-00-01	-094	01
6313282-36	53-11-00-02A	-031	01	6314118-14	30-40-00-01	-079	01
6313282-39	53-11-00-02	-027	01	6314118-15	30-40-00-01	-088	01
6313282-40	53-11-00-02	-026	01	6314118-16	30-40-00-01	-080	01
6313282-40	53-11-00-02A	-020	01	6314118-17	30-40-00-01	-089	01
6313282-41	53-11-00-02	-028	01	6314118-18	30-40-00-01	-081	01
6313282-42	53-11-00-02	-031	01	6314118-20	30-40-00-01	-099	01
6313282-43	53-11-00-02	-032	01	6314119-1	30-40-00-01	-075	01
6313282-44	53-11-00-02	-021	01	6314119-2	30-40-00-01	-095	01
6313282-61	53-11-00-03	-024	01	6314120-10	30-40-00-03	-044	01
6313282-63	25-70-00-02	-023	01	6314120-12	30-40-00-03	-081	01
6313282-64	25-70-00-02	-027	01	6314120-14	30-40-00-03	-103	01
6313282-65	25-70-00-02	-022	01	6314120-18	30-40-00-03	-093	01
6313282-66	53-11-00-02	-045	01	6314120-19	30-40-00-03	-108	01
6313282-66	53-11-00-02A	-039	01	6314120-20	30-40-00-03	-112	01
6313316-1	25-70-00-02	-042	01	6314120-21	30-40-00-03	-111	01
6313316-12	25-70-00-02	-011	01	6314120-24	30-40-00-03	-043	01
6313316-13	25-70-00-02	-030	01	6314120-26	30-40-00-03	-042	01
6313316-14	25-70-00-02	-015	01	6314120-6	30-40-00-03	-040	01
6313316-15	25-70-00-02	-031	01	6314121-8	30-40-00-03	-084	01
6313316-16	25-70-00-02	-032	01	6314127-2	30-40-00-03	-028	01
6313316-2	25-70-00-02	-039	01	6314136-11	34-11-00-01	-041	01
6313316-20	25-70-00-02	-006	01	6314136-13	34-11-00-02	-031	01
6313316-5	25-70-00-02	-013	02	6314136-15	34-11-00-02	-024	01
6313316-6	25-70-00-02	-014	01	6314136-15	34-11-00-02	-078	01
6313316-7	25-70-00-02	-001	01	6314136-17	34-11-00-01	-025	01
6313316-9	25-70-00-02	-033	01	6314136-19	34-11-00-02	-111	01
6313319-10	53-11-00-02	-107	01	6314136-2	34-11-00-02	-082	01
6313319-13	53-11-00-02	-096	01	6314136-21	34-11-00-02	-115	01
6313319-13	53-11-00-02A	-092	01	6314136-3	34-11-00-01	-036	01
6313319-8	53-11-00-02	-087	01	6314136-5	34-11-00-02	-077	01
6313319-9	53-11-00-02	-116	01	6314136-7	34-11-00-02	-019	01
6313600-2	25-70-00-01	-025	01	6314136-9	34-11-00-01	-038	01
6314006-12	34-11-00-02	-096	01	6314137-1	34-11-00-02	-091	01
6314006-6	53-20-00-01	-048	01	6314137-10	34-11-00-01	-029	01
6314007-1	36-10-00-03	-078	01	6314137-11	34-11-00-01	-023	01
6314012-6	25-10-00-01	-021	01	6314137-12	34-11-00-01	-021	01
6314050-19	25-10-00-02	-017	03	6314137-13	34-11-00-02	-099	01
6314050-20	25-10-00-01	-015	01	6314137-2	34-11-00-02	-089	01
6314050-20	25-10-00-02	-016	01	6314137-3	34-11-00-02	-076	01
6314050-26	25-10-00-02	-008	01	6314137-4	34-11-00-02	-027	01
6314050-27	25-10-00-02	-024	01	6314137-5	34-11-00-02	-018	01
6314050-34	25-10-00-02	-006	01	6314137-6	34-11-00-02	-023	01
6314050-6	25-10-00-02	-001	01	6314137-7	34-11-00-02	-075	01
6314050-7	25-10-00-02	-002	01	6314137-8	34-11-00-02	-084	01
6314105-1	32-41-00-01	-173	01	6314137-9	34-11-00-01	-040	01
6314105-3	32-41-00-01	-164	01	6314150-37	34-11-00-01	-005	01
6314110-10	36-10-00-03	-047	01	6314150-38	34-11-00-01	-006	01
6314110-11	36-10-00-03	-048	01	6314150-41	34-11-00-02	-013	01
6314110-13	36-10-00-03	-008	01	6314160-13	32-30-00-05	-016	01
6314110-15	36-10-00-03	-083	01	6314160-14	32-30-00-05	-017	01
6314110-16	36-10-00-03	-005	01	6314160-15	32-30-00-05	-022	01
6314110-2	36-10-00-03	-086	01	6314160-16	32-30-00-05	-023	01
6314110-20	36-10-00-03	-075	01	6314160-17	32-30-00-05	-006	01
6314110-22	36-10-00-03	-096	01	6314160-18	32-30-00-05	-007	01
6314110-24	36-10-00-03	-036	01	6314160-20	32-30-00-05	-027	02
6314110-25	36-10-00-03	-093	01	6314160-21	32-30-00-04	-036	01
6314110-26	36-10-00-03	-018	01	6314160-23	32-30-00-03	-175	01
6314110-27	36-10-00-03	-038	01	6314160-24	32-30-00-03	-174	01
6314110-5	36-10-00-03	-035	01	6314160-26	32-30-00-03	-099	01
6314110-9	36-10-00-03	-052	01	6314160-28	32-30-00-03	-078	01

CESSNA®  
**MODEL 525 (SERIALS -0685 AND -0800 AND ON)**  
 ILLUSTRATED PARTS CATALOG

PART NUMBER	CH SEC SUBJ FIG	ITEM	REQ	PART NUMBER	CH SEC SUBJ FIG	ITEM	REQ
6314160-29	32-30-00-03	-079	01	6314306-10	36-10-00-02	-014	01
6314160-31	32-30-00-03	-168	01	6314306-4	36-10-00-02	-002	01
6314160-44	32-30-00-03	-152	03	6314306-8	36-10-00-02	-001	01
6314160-45	53-40-00-03	-078	01	6314310-11	30-10-00-01	-099	01
6314160-50	32-30-00-05	-002	02	6314310-12	30-10-00-01	-100	01
6314160-51	32-30-00-05	-005	02	6314310-13	30-10-00-01	-094	01
6314160-61	32-30-00-03	-161	01	6314310-14	30-10-00-01	-095	01
6314160-68	32-30-00-03	-097	01	6314310-15	30-10-00-01	-091	01
6314160-73	53-21-00-01	-083	01	6314310-16	30-10-00-01	-092	01
6314160-79	32-30-00-03	-169	01	6314310-17	30-10-00-01	-088	01
6314160-80	32-30-00-03	-077	01	6314310-18	30-10-00-01	-089	01
6314160-85	32-30-00-03	-166	01	6314310-19	30-10-00-01	-084	01
6314170-4	32-30-00-05	-004A	02	6314310-20	30-10-00-01	-107	01
6314170-5	32-30-00-05	-032	02	6314310-21	30-10-00-01	-079	01
6314170-8	32-30-00-06	-005	01	6314310-29	30-10-00-01	-152	02
6314171-31	53-20-00-01	-041	01	6314310-6	30-10-00-01	-090	02
6314172-1	32-30-00-03	-001	01	6314310-7	30-10-00-01	-080	01
6314172-11	32-30-00-03	-040	01	6314317-3	36-10-00-01	-188	01
6314172-13	32-30-00-03	-041	01	6314317-4	36-10-00-01	-189	01
6314172-16	32-30-00-04	-020	01	6314330-12	21-10-00-01	-024	01
6314172-17	32-30-00-03	-016	01	6314330-13	21-10-00-01	-028	01
6314172-2	32-30-00-03	-008	01	6314330-16	21-10-00-01	-033	01
6314172-4	32-30-00-03	-022	01	6314330-25	21-10-00-01	-007	01
6314172-5	32-30-00-04	-015	01	6314330-27	21-10-00-01	-043	AR
6314172-8	32-30-00-03	-046	01	6314330-3	21-10-00-01	-017	01
6314178-1	32-30-00-03	-084	01	6314330-30	21-10-00-01	-018	01
6314178-4	32-30-00-03	-039	01	6314330-31	21-10-00-01	-011	01
6314178-6	32-30-00-03	-098	01	6314330-32	21-10-00-01	-008	01
6314200-12	35-00-00-01	-090	01	6314330-33	21-10-00-01	-010	01
6314200-13	35-10-00-01	-017	01	6314350-2	21-20-00-01	-017	02
6314200-14	35-10-00-01	-020	01	6314350-7	21-20-00-01	-011	01
6314200-15	35-10-00-01	-021	01	6314350-8	21-20-00-01	-015	01
6314200-17	35-10-00-01	-008	01	6314354-14	21-20-00-01	-003	01
6314200-3	35-10-00-01	-018	01	6314354-16	21-20-00-01	-002	01
6314200-9	35-10-00-01	-003	01	6314400-10	30-10-00-01	-024	01
6314210-2	35-00-00-01	-079	01	6314400-2	30-10-00-01	-029	02
6314210-3	35-00-00-01	-009	02	6314400-5	30-10-00-01	-021	01
6314210-6	35-00-00-01	-007	01	6314400-9	30-10-00-01	-023	01
6314210-8	35-00-00-01	-011	01	6314401-13	30-10-00-01	-011	02
6314210-9	35-00-00-01	-013	01	6314401-27	30-10-00-01	-004	04
6314300-5	36-10-00-01	-088	02	6314401-31	30-10-00-01	-030	02
6314301-18	36-10-00-01	-092	01	6314401-37	54-50-00-02	-018	01
6314303-2	36-10-00-01	-101	01	6314401-38	54-50-00-02	-019	01
6314303-3	36-10-00-01	-102	01	6314401-39	30-10-00-01	-009	01
6314304-23	36-10-00-01	-087	02	6314401-40	30-10-00-01	-010	01
6314304-24	36-10-00-01	-076	01	6314401-52	30-10-00-01	-014	01
6314304-25	36-10-00-01	-075	01	6314401-53	30-10-00-01	-013	01
6314304-44	36-10-00-01	-085	01	6314401-8	30-10-00-01	-027	02
6314304-45	36-10-00-01	-086	01	6314429-12	21-20-00-02	-002	01
6314304-46	36-10-00-01	-082	01	6314429-13	21-20-00-02	-001	01
6314304-47	36-10-00-01	-081	01	6314429-7	21-20-00-02	-005	02
6314305-22	36-10-00-01	-155	01	6314440-11	35-10-00-01	-023	01
6314305-43	36-10-00-01	-181	01	6314440-13	35-00-00-01	-014	01
6314305-44	36-10-00-01	-182	01	6314440-14	35-00-00-01	-015	01
6314305-45	36-10-00-01	-183	02	6314441-6	35-20-00-01	-003	01
6314305-46	36-10-00-01	-171	02	6314473-14	30-40-00-03	-035	05
6314305-47	36-10-00-01	-174	01	6314473-15	30-40-00-03	-037	01
6314305-48	36-10-00-01	-175	01	6314476-2	30-40-00-03	-031	01
6314305-49	36-10-00-01	-179	01	6314476-3	30-40-00-03	-032	01
6314305-50	36-10-00-01	-180	01	6314476-4	30-40-00-01	-161	01
6314305-55	36-10-00-01	-152	01	6314477-2	30-40-00-01	-103	02
6314305-56	36-10-00-01	-154	01	6314483-27	36-10-00-01	-195	01

CESSNA®  
**MODEL 525 (SERIALS -0685 AND -0800 AND ON)**  
 ILLUSTRATED PARTS CATALOG

PART NUMBER	CH SEC SUBJ FIG	ITEM	REQ	PART NUMBER	CH SEC SUBJ FIG	ITEM	REQ
6314483-32	36-10-00-01	-190	02	6315315-5	21-50-02-01	-015	01
6314511-3	36-10-00-01	-026	01	6315315-6	21-50-02-01	-007	01
6314511-3	36-10-00-01	-041	01	6315315-7	21-50-02-01	-016	01
6314511-4	36-10-00-01	-027	02	6315315-8	21-50-02-01	-008	01
6314511-4	36-10-00-01	-042	02	6315315-9	21-50-02-01	-017	01
6314514-13	36-10-00-01	-028	01	6315320-16	21-50-02-01	-020	01
6314520-11	36-10-00-01	-047	04	6315320-17	21-50-02-01	-078	01
6314530-25	36-10-00-03	-049	01	6315320-18	21-50-02-01	-021	01
6314540-10	21-60-00-01	-013	01	6315320-19	21-50-02-01	-077	01
6314540-11	21-60-00-01	-019	01	6315320-21	21-50-02-01	-079	01
6314540-12	21-60-00-01	-015	01	6315320-22	21-50-02-01	-076	01
6314540-6	21-60-00-01	-017	01	6315320-26	21-50-02-01	-019	01
6314540-7	21-60-00-01	-016	01	6315320-5	21-50-02-01	-022	01
6314541-2	21-60-00-01	-006	01	6315320-6	21-50-02-01	-023	01
6314622-6	30-40-00-03	-033	01	6315320-6	21-50-02-01	-080	01
6314760-2	53-20-00-02	-012	01	6315320-7	21-50-02-01	-024	01
6314760-3	53-20-00-02	-084	01	6315321-11	21-50-02-01	-089	01
6314800-17	34-11-00-02	-006	01	6315321-13	21-50-02-01	-094	02
6314854-4	35-00-00-01	-088	01	6315321-14	21-50-02-01	-095	01
6315001-2	21-50-01-01	-002	01	6315321-15	21-50-02-01	-096	01
6315001-3	21-50-01-01	-003	01	6315321-16	21-50-02-01	-097	02
6315001-4	21-50-01-01	-012	01	6315321-17	21-50-02-01	-098	02
6315001-6	21-50-01-01	-006	04	6315321-18	21-50-02-01	-081	01
6315003-5	21-50-01-01	-013	01	6315321-19	21-50-02-01	-082	01
6315010-11	21-50-01-02	-020	01	6315321-20	21-50-02-01	-088	01
6315010-14	21-50-01-02	-005	01	6315321-5	21-50-02-01	-099	01
6315010-17	21-50-01-02	-019	01	6315321-7	21-50-02-01	-101	01
6315010-26	21-50-01-02	-007	01	6315321-8	21-50-02-01	-100	01
6315010-28	21-50-01-02	-009	01	6315322-2	21-50-02-01	-075	01
6315011-6	21-50-01-01	-009	01	6315350-26	21-21-00-01	-016	01
6315011-6	21-50-01-02	-018	01	6315350-36	21-21-00-01	-036	01
6315012-10	21-50-01-01	-028	01	6315350-42	21-21-00-01	-022	01
6315012-12	21-50-01-01	-016	01	6315350-46	21-21-00-01	-027	01
6315012-13	21-50-01-01	-017	01	6315350-48	21-21-00-01	-026	01
6315012-14	21-50-01-01	-020	01	6315350-49	21-21-00-01	-012	01
6315012-15	21-50-01-01	-015	01	6315350-50	21-21-00-01	-011	01
6315012-18	21-50-01-01	-027	01	6315350-51	21-21-00-01	-013	01
6315012-19	21-50-01-01	-033	01	6315350-52	21-21-00-01	-029	01
6315012-4	21-50-01-01	-034	01	6315350-53	21-21-00-01	-035	01
6315012-5	21-50-01-01	-035	01	6315350-9	21-21-00-01	-021	01
6315100-20	21-20-01-01	-025	01	6315351-10	21-50-01-02	-017	01
6315100-21	21-20-01-01	-009	01	6315351-28	21-21-00-01	-004	01
6315100-23	21-20-01-01	-003	05	6316000-21	53-40-00-02	-017	01
6315100-24	21-20-01-01	-004	01	6316000-22	53-40-00-02	-018	01
6315101-1	21-20-01-01	-022	01	6316000-23	53-40-00-02	-004	03
6315110-17	21-50-01-01	-021	01	6316000-43	28-20-00-02	-033	01
6315110-19	21-20-01-02	-021	01	6316000-44	28-20-00-02	-034	01
6315110-22	21-20-01-02	-029	01	6316000-47	28-20-00-02	-038	02
6315110-23	21-20-01-02	-028	01	6316000-57	28-20-00-02	-035	01
6315110-24	21-20-01-02	-027	02	6316000-58	28-20-00-02	-036	01
6315110-34	21-20-01-02	-005	01	6316000-61	28-20-00-02	-030	01
6315110-43	21-20-01-02	-009	01	6316000-62	28-20-00-02	-031	01
6315110-44	21-20-01-02	-010	01	6316000-69	28-20-00-02	-001	01
6315110-50	21-20-01-02	-019	01	6316000-70	28-20-00-02	-002	01
6315110-51	21-20-01-02	-020	01	6316000-71	28-20-00-02	-003	01
6315110-56	21-20-01-02	-006	01	6316000-72	28-20-00-02	-004	01
6315110-59	21-20-01-02	-002	01	6316000-73	28-20-00-02	-006	01
6315110-6	21-20-01-02	-024	01	6316000-74	28-20-00-02	-007	01
6315110-7	21-20-01-02	-004	01	6316000-75	28-20-00-02	-009	01
6315150-15	21-50-00-01	-013	01	6316000-76	28-20-00-02	-010	01
6315200-20	36-10-00-02	-015	01	6316000-77	28-20-00-02	-012	01
6315315-13	21-50-02-01	-010	01	6316000-78	28-20-00-02	-013	01

CESSNA®  
**MODEL 525 (SERIALS -0685 AND -0800 AND ON)**  
 ILLUSTRATED PARTS CATALOG

PART NUMBER	CH SEC SUBJ FIG	ITEM	REQ	PART NUMBER	CH SEC SUBJ FIG	ITEM	REQ
6316502-1	28-20-00-01	-001	01	6317003-98	27-50-01-01	-004	01
6316502-2	28-20-00-01	-002	01	6317003-99	27-50-01-01	-015	01
6317000-16	32-30-01-03	-026	01	6317004-10	29-10-00-02	-123	01
6317000-24	32-41-00-02	-019	01	6317004-12	29-10-00-02	-122	01
6317000-3	32-30-01-03	-012	02	6317004-5	29-10-00-02	-125	01
6317000-3	32-30-01-03	-019	02	6317004-8	29-10-00-02	-121	01
6317000-36	32-30-01-03	-020	01	6317004-9	29-10-00-02	-124	01
6317000-37	32-30-01-03	-018	04	6317008-2	32-41-00-03	-003	01
6317000-38	32-30-01-03	-029	01	6317008-3	32-41-00-03	-011	01
6317000-39	32-41-00-05	-034	01	6317008-4	32-41-00-03	-012	01
6317000-43	32-30-01-04	-075	01	6317008-5	32-41-00-03	-013	01
6317000-5	32-41-00-02	-015	01	6317009-2	32-41-00-03	-075	01
6317000-52	32-41-00-02	-021	01	6317009-3	32-41-00-03	-076	02
6317000-54	32-30-02-01	-025	01	6317013-41	32-41-00-04	-022	01
6317000-55	32-30-02-01	-046	01	6317013-42	32-41-00-04	-024	01
6317000-57	32-41-00-01	-153	01	6317014-15	32-41-00-05	-101	01
6317000-58	32-41-00-02	-010	01	6317014-16	32-41-00-05	-103	01
6317000-65	32-30-01-03	-011	01	6317014-45	32-41-00-05	-115B	01
6317000-7	32-30-01-03	-013	01	6317014-46	32-41-00-05	-115C	01
6317003-10	32-30-00-02	-183	01	6317014-61	32-41-00-05	-031	01
6317003-100	27-50-01-01	-017	01	6317016-17	29-10-00-01	-180	01
6317003-101	27-50-01-01	-019	01	6317016-20	29-10-00-01	-185	01
6317003-102	27-50-01-01	-021	01	6317016-21	29-10-00-01	-186	01
6317003-103	27-50-01-01	-028	01	6317016-22	29-10-00-01	-075	01
6317003-104	27-50-01-01	-030	01	6317016-40	29-10-00-01	-181	01
6317003-105	27-50-01-01	-029	01	6317016-42	29-10-00-01	-225	01
6317003-106	27-50-01-01	-012	01	6317016-44	29-10-00-02	-037	01
6317003-107	27-50-01-01	-078	01	6317016-48	29-10-00-02	-041	01
6317003-108	27-60-00-02	-009	01	6317016-50	29-10-00-02	-042	01
6317003-11	32-30-00-02	-185	01	6317016-52	29-10-00-01	-188	01
6317003-12	27-60-00-02	-011	01	6317016-53	29-10-00-01	-183	01
6317003-134	29-10-00-01	-256	01	6317016-56	29-10-00-01	-182	01
6317003-14	27-60-00-02	-003	01	6317016-6	29-10-00-01	-078	NP
6317003-15	27-60-00-02	-006	01	6317016-65	29-10-00-01	-187	01
6317003-159	27-50-01-01	-006	01	6317016-66	29-10-00-01	-178	01
6317003-16	27-60-00-02	-012	01	6317016-67	29-10-00-01	-175	01
6317003-160	27-50-01-01	-007	01	6317016-68	29-10-00-01	-177	01
6317003-162	27-50-01-01	-027	01	6317016-69	29-10-00-01	-174	01
6317003-163	29-10-00-01	-101	02	6317016-70	29-10-00-01	-184	01
6317003-164	29-10-00-01	-102	02	6317016-71	29-10-00-01	-266	01
6317003-166	29-10-00-01	-076	01	6317016-72	29-10-00-02	-039	02
6317003-167	29-10-00-01	-077	01	6317016-76	29-10-00-01	-150	01
6317003-17	27-60-00-02	-010	01	6317016-77	29-10-00-01	-151	01
6317003-171	29-10-00-01	-235	01	6317016-79	29-10-00-01	-078A	01
6317003-18	27-60-00-02	-004	01	6317018-2	32-41-00-03	-022A	01
6317003-19	27-60-00-02	-007	01	6317300-3	32-41-00-05	-006	01
6317003-2	32-30-01-03	-001	01	6317500-14	29-10-00-02	-017	01
6317003-20	27-50-01-01	-043	01	6317500-16	29-10-00-02	-001	01
6317003-28	32-30-02-01	-011	01	6317500-19	29-10-00-02	-021	02
6317003-29	32-30-02-01	-004	01	6317500-20	29-10-00-02	-016	01
6317003-3	32-30-00-02	-191	01	6317500-22	11-N-22-04	-076	01
6317003-30	32-30-02-01	-010	01	6317525-10	32-41-00-01	-154	01
6317003-4	32-30-00-02	-180	01	6317525-11	32-41-00-05	-010	01
6317003-5	32-30-00-02	-171	01	6317525-12	32-41-00-05	-019	01
6317003-6	32-30-00-02	-173	01	6317525-13	32-41-00-05	-028	01
6317003-7	32-30-01-03	-002	01	6317525-14	32-41-00-05	-022	01
6317003-78	27-50-01-01	-044	01	6317525-15	32-41-00-02	-016	01
6317003-8	32-30-00-02	-182	01	6317525-16	32-41-00-02	-017	01
6317003-80	29-10-00-01	-252	01	6317525-17	32-41-00-02	-018	01
6317003-85	27-50-01-01	-076	01	6317525-18	32-41-00-02	-020	01
6317003-9	32-30-00-02	-187	01	6317525-19	32-30-01-03	-027	01
6317003-96	27-50-01-01	-082	01	6317525-20	32-30-01-03	-010	01

CESSNA®  
**MODEL 525 (SERIALS -0685 AND -0800 AND ON)**  
 ILLUSTRATED PARTS CATALOG

PART NUMBER	CH SEC SUBJ FIG	ITEM	REQ	PART NUMBER	CH SEC SUBJ FIG	ITEM	REQ
6317525-21	32-30-01-03	-028	01	6318251-7	71-50-00-01	-001A	01
6317525-22	32-30-01-03	-009	01	6318310-5	24-30-00-01	-007	01
6317525-23	32-30-02-01	-018	01	6318310-6	24-30-00-01	-008	01
6317525-24	32-30-02-01	-017	01	6318310-9	24-30-00-01	-005	01
6317525-25	32-30-02-01	-015	01	6318312-2	33-30-00-02	-003	01
6317525-26	32-41-00-05	-035	01	6318315-13	24-40-00-01	-019	01
6317525-27	32-41-00-05	-075	01	6318315-14	24-40-00-01	-020	01
6317525-28	32-41-00-05	-076	01	6318315-16	24-40-00-01	-015	01
6317525-4	32-41-00-01	-047	01	6318315-19	24-40-00-01	-023	01
6317525-5	32-41-00-01	-034	01	6318315-21	24-40-00-01	-005	01
6317525-6	32-41-00-05	-036	01	6318315-22	24-40-00-01	-011	01
6317525-7	32-41-00-02	-001	01	6318315-25	24-40-00-01	-001	01
6317525-8	32-41-00-02	-002	01	6318315-26	24-40-00-01	-002	01
6317525-9	32-41-00-02	-009	01	6318315-27	24-40-00-01	-010	01
6318010-1	21-21-00-02	-001	01	6318315-28	24-40-00-01	-007	01
6318012-2	33-30-00-01	-003	01	6318315-30	24-40-00-01	-006	01
6318012-4	33-30-00-01	-007	01	6318315-32	24-40-00-01	-008	02
6318015-1	55-10-00-02	-161	04	6318315-33	24-40-00-01	-027	01
6318015-2	55-10-00-02	-162	01	6318315-6	24-40-00-01	-009	01
6318015-26	53-40-00-01	-027	03	6318315-7	24-40-00-01	-003	01
6318015-26	53-40-00-01	-098	04	6318315-8	52-40-00-01	-039	01
6318015-28	53-40-00-01	-026	11	6318317-3	76-12-00-01	-005	02
6318015-28	53-40-00-01	-099	13	6318317-4	76-12-00-01	-008	01
6318015-28	53-40-00-01	-178	05	6318317-5	76-12-00-01	-007	01
6318015-55	57-10-00-02	-272	02	6318318-3	76-12-00-01	-002	01
6318015-55	57-10-00-03	-024	02	6318318-6	76-12-00-01	-001	01
6318015-6	34-61-05-01	-016	02	6318331-10	25-70-01-01	-003	01
6318015-6	53-20-02-01	-024	02	6318331-12	25-70-01-01	-013	01
6318015-65	24-50-02-01	-006	03	6318331-22	24-30-01-01	-003	02
6318015-65	57-20-03-02	-092	01	6318331-29	24-30-01-01	-020	01
6318015-69	53-20-06-01	-020	01	6318331-6	25-70-01-01	-007	01
6318015-69	53-40-00-03	-247	05	6318331-7	25-70-01-01	-011	01
6318034-6	24-50-03-02	-011	01	6318331-8	25-70-01-01	-014	02
6318035-7	24-50-03-02	-009	01	6318332-13	24-30-01-01	-009	01
6318037-6	24-50-03-02	-003	01	6318332-4	24-30-01-01	-008	01
6318037-6	24-50-03-02	-004	01	6318333-1	24-40-00-01	-026	01
6318038-1	24-50-03-02	-001	01	6318333-2	53-40-00-03	-010	01
6318038-1	24-50-03-02	-002	01	6318349-26	24-50-00-01	-015	01
6318043-1	24-50-03-02	-010	01	6318350-10	24-50-02-01	-007	01
6318044-1	24-50-03-02	-012	01	6318350-11	24-50-02-01	-009	01
6318046-9	24-50-03-02	-013	01	6318350-9	24-50-02-01	-008	02
6318053-6	24-50-01-01	-108	01	6318353-11	24-40-00-01	-025	01
6318053-6	24-50-01-02	-098	01	6318358-20	24-50-00-01	-013	01
6318055-6	24-50-01-02	-001	01	6318387-11	24-50-03-02	-014	01
6318055-7	24-50-01-01	-001	01	6318387-11	24-50-03-02	-015	01
6318104-2	23-50-00-02	-005	01	6318388-7	24-50-03-02	-005	01
6318108-15	33-50-00-01	-001	01	6318388-7	24-50-03-02	-006	01
6318108-16	33-50-00-01	-003	01	6318390-1	24-50-03-02	-007	01
6318112-13	25-10-00-02	-030	01	6318390-1	24-50-03-02	-008	01
6318112-15	25-10-00-02	-031	01	6318397-21	24-50-00-01	-016	01
6318112-17	25-10-00-02	-032	01	6318398-6	24-50-00-01	-017	01
6318115-8	28-40-00-01	-003	01	6318399-11	24-50-00-01	-018	01
6318120-3	33-40-00-04	-006	01	6318502-11	33-40-00-03	-004	01
6318188-2	11-N-31-02	-003	01	6318502-12	33-40-00-03	-005	01
6318188-4	11-N-31-02	-004	01	6318514-4	24-20-00-01	-005	01
6318188-5	11-N-31-02	-005	01	6318514-4	24-20-00-02	-004	01
6318188-6	24-50-00-01	-001	01	6318514-5	24-20-00-01	-006	01
6318251-2	71-50-00-01	-075	01	6318514-5	24-20-00-02	-005	01
6318251-3	71-50-00-01	-001	01	6318514-6	24-20-00-01	-007	01
6318251-4	71-50-00-01	-076	01	6318514-6	24-20-00-02	-006	01
6318251-5	71-50-00-01	-002	01	6318517-2	24-20-00-01	-013	01
6318251-6	71-50-00-01	-075A	01	6318517-2	24-20-00-02	-012	01

CESSNA®  
**MODEL 525 (SERIALS -0685 AND -0800 AND ON)**  
 ILLUSTRATED PARTS CATALOG

PART NUMBER	CH	SEC	SUBJ	FIG	ITEM	REQ	PART NUMBER	CH	SEC	SUBJ	FIG	ITEM	REQ
6318517-3	24	20	00	01	-012	01	6318923-21	24	50	02	05	-102	01
6318517-3	24	20	00	02	-011	01	6318923-23	24	50	02	05	-104	01
6318517-4	24	20	00	01	-011	01	6318923-24	24	50	02	05	-108	01
6318517-4	24	20	00	02	-010	01	6318923-25	24	50	02	05	-107	01
6318517-5	24	20	00	01	-014	01	6318923-3	24	50	02	05	-019	01
6318517-5	24	20	00	02	-013	01	6318923-5	24	50	02	05	-012	01
6318517-6	24	20	00	01	-016	01	6318923-7	24	50	02	05	-011	01
6318517-6	24	20	00	02	-015	01	6318923-9	24	50	02	05	-014	01
6318517-7	24	20	00	01	-015	01	6318923-9	24	50	04	01	-092	01
6318517-7	24	20	00	02	-014	01	6318923-9	24	50	04	01	-100	01
6318518-2	24	20	00	01	-017	01	6318924-4	24	50	02	01	-004	01
6318518-2	24	20	00	02	-016	01	6318924-6	24	50	02	01	-002	01
6318710-6	33	10	00	03	-004	02	6318924-8	24	50	02	01	-010	01
6318710-8	33	10	00	03	-006	01	6318939-10	11	N	25	03	-004A	01
6318725-3	24	20	00	03	-014	02	6318939-11	24	50	02	04	-006	01
6318805-3	28	20	00	01	-083	02	6318939-12	11	N	25	03	-006	01
6318810-13	33	00	00	01	-001	01	6318939-14	24	50	02	02	-016B	01
6318822-2	30	30	00	01	-004	02	6318939-18	24	50	02	02	-019	01
6318824-4	24	50	00	01	-002	01	6318939-18	24	50	02	02	-020	02
6318828-3	24	50	01	01	-002	01	6318939-18	24	50	02	02	-036	01
6318828-3	24	50	01	02	-002	01	6318939-2	24	50	02	04	-004	01
6318828-4	24	50	01	02	-003	01	6318939-3	11	N	25	03	-005	01
6318829-10	24	50	03	01	-004	01	6318939-5	24	50	02	04	-001A	01
6318829-11	24	50	03	01	-008	01	6318939-6	24	50	02	04	-002A	01
6318829-19	24	50	03	01	-026	01	6318939-9	11	N	25	03	-003A	01
6318829-23	24	50	03	01	-022	01	6318940-1	24	50	02	03	-001	01
6318829-25	24	50	03	01	-027	01	6318940-1	24	50	02	03	-001B	01
6318829-26	24	50	03	01	-024	01	6318940-10	24	50	02	03	-027	01
6318829-28	31	30	01	01	-001	01	6318940-11	24	50	02	03	-019	02
6318829-29	31	30	01	01	-008	01	6318940-14	24	50	02	03	-025	01
6318876-3	24	50	01	01	-005	01	6318940-15	24	50	02	03	-002	02
6318876-4	24	50	01	02	-006	01	6318940-17	24	50	02	03	-004	02
6318876-5	24	50	01	01	-004	01	6318940-19	24	50	02	03	-015	02
6318880-1	31	10	00	01	-001	01	6318940-21	24	50	02	03	-017	04
6318880-10	31	10	00	01	-001A	01	6318940-23	24	50	02	03	-028	02
6318880-11	31	10	00	01	-096	01	6318940-25	24	50	02	02	-151	01
6318880-12	31	10	00	01	-096A	01	6318940-26	24	50	02	02	-150	01
6318880-13	31	10	00	01	-150	01	6318940-27	24	50	02	03	-021	04
6318880-14	31	10	00	01	-161	01	6318940-3	24	50	02	03	-029	01
6318880-2	31	10	00	01	-075	01	6318940-4	24	50	02	01	-011	01
6318880-5	31	10	00	01	-093	01	6318940-6	24	50	02	03	-030	02
6318880-8	31	10	00	01	-023	01	6318940-9	24	50	02	03	-026	01
6318881-17	31	30	00	01	-003	01	6318942-13	24	30	01	01	-090	01
6318881-9	31	10	00	01	-091	01	6318942-15	24	30	01	01	-096	01
6318883-4	25	70	01	01	-001	01	6318942-4	24	30	01	01	-089	02
6318883-6	25	70	01	01	-006	01	6318942-6	24	30	01	01	-094	01
6318883-7	24	30	01	01	-015	01	6318942-7	24	30	01	01	-095	02
6318883-8	24	30	01	01	-016	01	6318942-9	24	30	01	01	-087	01
6318883-9	25	70	01	01	-004	01	6318943-1	24	50	04	01	-019	01
6318884-3	21	50	01	01	-042	01	6318943-10	24	50	04	01	-013	01
6318885-3	24	50	01	03	-001	01	6318943-11	24	50	04	01	-002	01
6318887-3	33	50	00	01	-008	01	6318943-12	24	50	04	01	-022	02
6318892-3	30	40	00	01	-229	02	6318943-16	24	50	04	01	-025	02
6318906-5	53	30	00	02	-037	02	6318943-17	24	50	04	01	-075	01
6318922-1	24	50	02	02	-017	01	6318943-2	24	50	04	01	-005	01
6318923-1	24	50	02	05	-013	01	6318943-21	24	50	04	01	-012	02
6318923-10	24	50	02	05	-010	01	6318943-24	11	N	22	01	-075	01
6318923-12	24	50	02	05	-009	01	6318943-26	24	50	04	01	-026	01
6318923-14	24	50	02	05	-018	01	6318943-27	24	50	04	01	-076	01
6318923-16	24	50	02	05	-016	01	6318943-28	11	N	22	01	-075A	01
6318923-17	24	50	02	05	-097	01	6318943-29	24	50	04	01	-001A	01
6318923-19	24	50	02	05	-100	01	6318943-3	24	50	04	01	-006	01



CESSNA®  
**MODEL 525 (SERIALS -0685 AND -0800 AND ON)**  
 ILLUSTRATED PARTS CATALOG

PART NUMBER	CH SEC SUBJ FIG	ITEM	REQ	PART NUMBER	CH SEC SUBJ FIG	ITEM	REQ
6318943-30	24-50-04-01	-029A	01	6319001-28	25-80-01-03	-082	01
6318943-31	24-50-04-01	-035A	01	6319001-29	25-80-00-02	-001	01
6318943-4	24-50-04-01	-029	01	6319001-3	25-80-00-02	-075	02
6318943-5	24-50-04-01	-023	01	6319001-30	25-80-00-02	-002	01
6318943-6	24-50-04-01	-001	01	6319001-31	25-80-00-02	-014	01
6318943-7	24-50-04-01	-020	02	6319001-32	25-80-00-02	-015	01
6318943-8	24-50-04-01	-035	01	6319001-33	25-80-00-02	-003	01
6318944-1	24-50-04-01	-016	01	6319001-34	25-80-00-02	-004	01
6318944-2	24-50-04-01	-016A	01	6319001-35	25-80-00-02	-005	01
6318944-3	24-50-04-01	-016B	01	6319001-36	25-80-00-02	-006	01
6318961-1	24-50-02-02	-001	01	6319001-37	25-80-00-02	-007	01
6318961-2	24-50-02-02	-001A	01	6319001-38	25-80-00-02	-008	01
6318961-4	24-50-02-02	-001B	01	6319001-39	25-80-00-02	-011	02
6318961-5	24-50-02-02	-001C	01	6319001-4	25-80-00-02	-083	04
6318961-6	24-50-02-02	-001D	01	6319001-5	25-80-00-02	-079	01
6318962-1	24-50-02-02	-015B	01	6319001-6	25-80-00-02	-080	01
6318962-10	24-50-02-05	-099	01	6319001-7	25-80-00-02	-081	01
6318962-11	24-50-02-04	-001	01	6319001-8	25-80-00-02	-082	01
6318962-12	24-50-02-04	-002	01	6319001-9	25-80-00-02	-077	01
6318962-15	11-N-25-03	-003	01	6319004-4	21-20-01-02	-080	01
6318962-16	11-N-25-03	-004	01	6319004-5	21-20-01-02	-081	01
6318962-17	24-50-02-02	-015	01	6319011-10	25-10-02-02	-095	01
6318962-18	24-50-02-02	-016	01	6319011-21	25-10-02-02	-103	01
6318962-2	24-50-02-02	-033	01	6319011-22	25-10-02-02	-104	01
6318962-20	24-50-02-02	-031	01	6319011-23	25-10-02-02	-096	01
6318962-22	24-50-02-02	-032	01	6319011-3	25-10-02-02	-086	01
6318962-25	24-50-02-02	-015A	01	6319011-4	25-10-02-02	-087	01
6318962-26	24-50-02-02	-016A	01	6319011-5	25-10-02-02	-088	01
6318962-27	24-50-02-03	-001A	01	6319011-6	25-10-02-02	-089	01
6318962-7	24-50-02-05	-101	01	6319011-9	25-10-02-02	-094	01
6318962-8	24-50-02-05	-109	01	6319015-10	21-21-00-02	-094	01
6318962-9	24-50-02-05	-002	01	6319015-19	21-20-01-02	-078	01
6318963-10	11-N-25-03	-002	01	6319015-2	21-21-00-02	-075	NP
6318963-11	11-N-25-03	-001A	01	6319015-22	21-20-01-02	-077	01
6318963-12	11-N-25-03	-002A	01	6319015-3	21-21-00-02	-076	NP
6318963-14	11-N-25-03	-002B	01	6319015-30	21-21-00-02	-080	01
6318963-15	11-N-25-03	-001B	01	6319015-31	21-21-00-02	-085	01
6318963-17	11-N-25-03	-001C	01	6319015-52	21-22-00-01	-015	01
6318963-19	11-N-25-03	-002C	01	6319015-68	21-22-00-01	-014	02
6318963-9	11-N-25-03	-001	01	6319015-71	21-22-00-01	-011	01
6319001-10	25-80-00-02	-078	01	6319015-72	21-22-00-01	-012	01
6319001-11	25-80-00-02	-087	06	6319015-73	21-20-01-02	-079	02
6319001-12	25-80-00-02	-084	02	6319018-114	21-21-00-03	-006A	01
6319001-13	25-80-00-02	-009	01	6319018-115	21-21-00-03	-007A	01
6319001-14	25-80-00-02	-010	01	6319018-116	21-21-00-03	-012A	01
6319001-15	25-80-00-02	-085	06	6319018-12	21-21-00-03	-004	02
6319001-16	25-80-00-02	-086	02	6319018-27	21-21-00-03	-008	10
6319001-17	25-80-00-02	-013	02	6319018-34	21-21-00-03	-017	01
6319001-18	25-80-00-02	-012	02	6319018-34	21-21-00-03	-030	01
6319001-19	25-80-01-03	-002	16	6319018-40	21-21-00-03	-005	02
6319001-19	25-80-01-03	-075	23	6319018-50	21-21-00-03	-050	01
6319001-2	25-80-00-02	-076	06	6319018-91	21-21-00-03	-012	NP
6319001-2	25-80-01-03	-006	04	6319018-92	21-21-00-03	-006	NP
6319001-2	25-80-01-03	-078	09	6319018-93	21-21-00-03	-011	01
6319001-20	25-80-01-03	-003	04	6319018-94	21-21-00-03	-010	01
6319001-21	25-80-01-03	-079	05	6319018-95	21-21-00-03	-007	NP
6319001-23	25-80-01-03	-080	04	6319021-9	25-30-00-02	-026	01
6319001-24	25-80-01-03	-005	01	6319028-57	25-10-01-01	-015	01
6319001-24	25-80-01-03	-081	06	6319028-58	25-10-01-01	-016	01
6319001-25	25-80-00-02	-018	01	6319030-3	56-20-00-01	-008	01
6319001-26	25-80-00-02	-016	01	6319035-1	21-22-00-01	-001B	01
6319001-27	25-80-00-02	-017	01	6319037-5	52-60-00-02	-075	01

CESSNA®  
**MODEL 525 (SERIALS -0685 AND -0800 AND ON)**  
 ILLUSTRATED PARTS CATALOG

PART NUMBER	CH SEC SUBJ FIG	ITEM	REQ	PART NUMBER	CH SEC SUBJ FIG	ITEM	REQ
6319040-3	52-60-00-02	-006	01	6321411-2	57-10-00-03	-226	01
6319044-11	21-22-00-01	-009	01	6321411-3	57-10-00-03	-229	01
6319044-18	21-21-00-02	-088	01	6321411-4	57-10-00-03	-230	01
6319044-19	21-21-00-02	-091	01	6322000-1	57-00-00-01	-006	01
6319044-20	21-22-00-01	-008	01	6322000-10	57-20-03-02	-183	02
6319044-201	21-22-00-01	-001A	01	6322000-11	57-20-03-02	-184	02
6319044-24	21-22-00-01	-007	01	6322000-12	57-20-03-02	-025	02
6319044-26	21-21-00-02	-092	01	6322000-13	57-20-03-02	-106	02
6319044-31	21-22-00-01	-010	01	6322000-14	57-20-03-02	-178	02
6319044-32	21-22-00-01	-001	NP	6322000-15	57-20-03-02	-026	02
6319044-33	21-22-00-01	-013	02	6322000-16	57-20-03-02	-198	02
6319045-3	21-20-01-02	-030	01	6322000-2	57-20-03-02	-027	02
6319051-1	21-21-00-03	-021	02	6322000-3	57-20-03-02	-028	02
6319051-1	21-21-00-03	-035	01	6322000-4	57-20-03-02	-107	02
6319051-1	21-21-00-03	-036	02	6322000-5	57-20-03-02	-108	02
6319054-1	56-30-00-01	-006	01	6322000-6	57-20-03-02	-109	02
6319054-2	56-20-00-01	-009	01	6322000-7	57-20-03-02	-110	02
6319054-3	56-30-00-01	-007	01	6322000-8	57-20-03-02	-181	02
6319058-3	25-20-00-01	-092	01	6322000-9	57-20-03-02	-182	02
6319059-3	38-30-00-01	-150	01	6322001-10	57-10-00-01	-023	02
6319059-4	38-30-00-01	-151	01	6322001-11	57-10-00-01	-024	02
6319065-2	25-29-00-01	-017	06	6322001-12	57-10-00-01	-025	02
6319065-3	25-29-00-01	-018	03	6322001-13	57-10-00-01	-026	02
6319086-11	25-20-00-01	-029	01	6322001-14	57-10-00-01	-028	04
6319086-2	25-20-00-01	-021	01	6322001-14	57-10-00-01	-263	04
6319086-4	25-20-00-01	-024	01	6322001-15	57-10-00-01	-001	01
6319086-8	25-20-00-01	-025	01	6322001-2	57-10-00-01	-020	01
6319086-9	25-20-00-01	-028	01	6322001-3	57-10-00-01	-021	04
6319103-7	25-10-00-03	-004	01	6322001-4	57-10-00-01	-022	02
6319155-1	25-20-00-02	-031	01	6322001-9	57-10-00-01	-027	04
6319161-3	38-30-00-01	-160	01	6322001-9	57-10-00-01	-262	04
6319210-1	21-21-00-02	-075A	01	6322002-12	57-10-00-01	-110	01
6319210-2	21-21-00-02	-076A	01	6322002-13	57-10-00-01	-109	01
6319382-4	21-20-01-02	-011	02	6322002-14	57-10-00-01	-107	01
6319501-76	38-30-00-01	-028	01	6322002-19	57-10-00-01	-075	01
6319520-14	25-26-00-02	-007	01	6322002-3	57-10-00-01	-098	02
6319520-14	25-30-00-01	-026	03	6322002-4	57-10-00-01	-106	02
6319520-14	25-30-00-02	-017	03	6322002-5	57-10-00-01	-099	01
6319520-14	25-30-00-03	-082	04	6322002-6	57-10-00-01	-100	01
6319520-14	25-30-00-03	-118	01	6322002-7	57-10-00-01	-104	01
6319520-14	38-30-00-01	-014	02	6322002-8	57-10-00-01	-105	01
6319520-25	25-30-00-01	-028	01	6322002-9	57-10-00-01	-108	02
6319520-25	25-30-00-02	-019	01	6322003-11	57-10-00-01	-253	02
6319520-26	25-30-00-01	-027	02	6322003-15	57-10-00-01	-259	01
6319520-26	25-30-00-02	-018	02	6322003-16	57-10-00-01	-260	01
6319520-28	25-30-00-01	-029	02	6322003-20	57-10-00-01	-225	01
6319520-28	25-30-00-02	-020	03	6322003-21	57-10-00-01	-258	01
6319520-28	25-30-00-03	-083	04	6322003-3	57-10-00-01	-256	01
6319549-4	25-21-00-03	-003	01	6322003-4	57-10-00-01	-257	01
6319549-5	25-21-00-03	-007	01	6322003-5	57-10-00-01	-254	01
6319549-6	25-21-00-03	-008	01	6322003-6	57-10-00-01	-255	01
6319563-3	26-20-01-01	-005	01	6322004-28	57-40-00-01	-079	01
6319563-5	26-20-01-01	-010	01	6322004-34	57-40-00-01	-016	NP
6319566-12	25-20-00-01	-020	02	6322004-35	57-40-00-01	-015	NP
6320368-3	57-50-00-01	-018	01	6322004-37	57-40-00-01	-103	01
6320368-4	57-50-00-01	-019	01	6322004-40	57-40-00-01	-091	01
6321007-4	32-70-00-01	-003	01	6322004-41	57-40-00-01	-090	01
6321411-1	57-10-00-03	-225	01	6322005-8	57-30-00-02	-002	01
6321411-13	57-10-00-03	-300	01	6322006-10	57-30-00-02	-016	01
6321411-14	57-10-00-03	-301	01	6322006-14	57-30-00-02	-027	02
6321411-15	57-10-00-03	-304	01	6322006-16	57-30-00-02	-025	01
6321411-16	57-10-00-03	-305	01	6322006-18	57-30-00-02	-019	02

CESSNA®  
**MODEL 525 (SERIALS -0685 AND -0800 AND ON)**  
 ILLUSTRATED PARTS CATALOG

PART NUMBER	CH SEC SUBJ FIG	ITEM	REQ	PART NUMBER	CH SEC SUBJ FIG	ITEM	REQ
6322006-20	57-30-00-02	-022	02	6322027-28	57-10-00-02	-014	01
6322006-22	57-30-00-02	-026	01	6322027-29	57-10-00-02	-039	01
6322006-29	57-30-00-02	-013	01	6322027-3	57-10-00-02	-040	01
6322006-3	57-30-00-02	-009	01	6322027-31	57-10-00-02	-008	01
6322006-30	57-30-00-02	-014	01	6322027-4	57-10-00-02	-007	01
6322006-32	57-30-00-02	-008	01	6322027-6	57-10-00-02	-034	01
6322006-33	57-30-00-02	-011	01	6322027-8	57-10-00-02	-006	01
6322006-34	57-30-00-02	-007	01	6322027-9	57-10-00-02	-020	01
6322006-4	57-30-00-02	-010	01	6322028-10	57-10-00-02	-165	01
6322006-6	57-30-00-02	-018	02	6322028-11	57-10-00-02	-088	01
6322006-8	57-30-00-02	-015	01	6322028-12	57-10-00-02	-089	01
6322008-4	32-70-00-01	-002	01	6322028-13	57-10-00-02	-090	01
6322009-3	32-70-00-01	-001	01	6322028-14	57-10-00-02	-091	01
6322010-4	57-50-00-01	-121	AR	6322028-15	57-10-00-02	-100	01
6322010-8	57-50-00-01	-026	02	6322028-16	57-10-00-02	-101	01
6322011-1	57-00-00-01	-030	01	6322028-17	57-10-00-02	-160	01
6322011-10	57-00-00-01	-089	01	6322028-18	57-10-00-02	-161	01
6322011-2	57-00-00-01	-031	01	6322028-19	57-10-00-02	-162	01
6322011-7	57-00-00-01	-092	02	6322028-20	57-10-00-02	-163	01
6322011-9	57-00-00-01	-088	01	6322028-21	57-10-00-02	-175	01
6322012-1	57-00-00-01	-075	01	6322028-22	57-10-00-02	-176	01
6322012-3	57-00-00-01	-019	01	6322028-23	57-10-00-02	-079	01
6322012-5	57-00-00-01	-018	01	6322028-24	57-10-00-02	-080	01
6322013-1	57-20-02-01	-001	01	6322028-25	57-10-00-02	-083	01
6322013-10	57-20-02-01	-011	01	6322028-26	57-10-00-02	-084	01
6322013-11	57-20-02-01	-012	01	6322028-27	57-10-00-02	-110	01
6322013-12	57-20-02-01	-013	01	6322028-28	57-10-00-02	-111	01
6322013-13	57-20-02-01	-014	01	6322028-29	57-10-00-02	-112	01
6322013-14	57-20-02-01	-015	01	6322028-30	57-10-00-02	-113	01
6322013-2	57-20-02-01	-002	01	6322028-31	57-10-00-02	-152	01
6322013-3	57-20-02-01	-003	01	6322028-32	57-10-00-02	-153	01
6322013-4	57-20-02-01	-004	01	6322028-33	57-10-00-02	-173	01
6322013-5	52-80-00-01	-120	01	6322028-34	57-10-00-02	-174	01
6322013-6	52-80-00-01	-121	01	6322028-37	57-10-00-02	-092	01
6322013-7	52-80-00-01	-125	01	6322028-38	57-10-00-02	-093	01
6322013-8	52-80-00-01	-126	01	6322028-41	57-10-00-02	-154	01
6322013-9	57-20-02-01	-010	01	6322028-42	57-10-00-02	-155	01
6322021-4	57-10-00-01	-013	01	6322028-43	57-10-00-02	-150	01
6322021-7	57-10-00-01	-006	01	6322028-44	57-10-00-02	-151	01
6322022-4	57-10-00-01	-163	01	6322028-47	57-10-00-02	-087	02
6322022-7	57-10-00-01	-150	01	6322028-48	57-10-00-02	-075	02
6322023-4	57-10-00-01	-245	01	6322028-49	57-10-00-02	-169	01
6322023-7	57-10-00-01	-236	01	6322028-5	57-10-00-02	-078	02
6322027-10	57-10-00-02	-021	01	6322028-50	57-10-00-02	-170	01
6322027-11	57-10-00-02	-022	01	6322028-51	57-10-00-02	-102	01
6322027-12	57-10-00-02	-023	01	6322028-52	57-10-00-02	-103	01
6322027-13	57-10-00-02	-041	01	6322028-53	57-10-00-02	-156	01
6322027-14	57-10-00-02	-004	01	6322028-54	57-10-00-02	-157	01
6322027-15	57-10-00-02	-024	01	6322028-57	57-10-00-02	-096	01
6322027-16	57-10-00-02	-027	01	6322028-58	57-10-00-02	-097	01
6322027-17	57-10-00-02	-042	01	6322028-59	57-10-00-02	-166	01
6322027-18	57-10-00-02	-010	01	6322028-6	57-10-00-02	-104	02
6322027-19	57-10-00-02	-011	01	6322028-60	57-10-00-02	-167	01
6322027-2	57-10-00-02	-005	01	6322028-7	57-10-00-02	-107	02
6322027-20	57-10-00-02	-017	01	6322028-8	57-10-00-02	-168	02
6322027-21	57-10-00-02	-030	01	6322028-9	57-10-00-02	-164	01
6322027-22	57-10-00-02	-031	01	6322029-10	57-10-00-02	-258	01
6322027-23	57-10-00-02	-035	01	6322029-13	57-10-00-02	-304	01
6322027-24	57-10-00-02	-036	01	6322029-14	57-10-00-02	-305	01
6322027-25	57-10-00-02	-001	01	6322029-15	57-10-00-02	-239	01
6322027-26	57-10-00-02	-043	01	6322029-16	57-10-00-02	-240	01
6322027-27	57-10-00-02	-009	02	6322029-17	57-10-00-02	-302	01

CESSNA®  
**MODEL 525 (SERIALS -0685 AND -0800 AND ON)**  
 ILLUSTRATED PARTS CATALOG

PART NUMBER	CH SEC SUBJ FIG	ITEM	REQ	PART NUMBER	CH SEC SUBJ FIG	ITEM	REQ
6322029-18	57-10-00-02	-303	01	6322030-39	57-10-00-03	-100	01
6322029-19	57-10-00-02	-312	01	6322030-4	57-10-00-03	-002	01
6322029-20	57-10-00-02	-313	01	6322030-41	57-10-00-03	-025	01
6322029-21	57-10-00-02	-267	02	6322030-42	57-10-00-03	-026	01
6322029-22	57-10-00-02	-259	02	6322030-47	57-10-00-03	-093	02
6322029-23	57-10-00-02	-230	01	6322030-48	57-10-00-03	-017	02
6322029-24	57-10-00-02	-231	01	6322030-5	57-10-00-03	-009	02
6322029-25	57-10-00-02	-232	01	6322030-51	57-10-00-03	-113	01
6322029-26	57-10-00-02	-233	01	6322030-52	57-10-00-03	-114	01
6322029-27	57-10-00-02	-260	01	6322030-7	57-10-00-03	-003	01
6322029-28	57-10-00-02	-261	01	6322030-8	57-10-00-03	-004	01
6322029-29	57-10-00-02	-268	01	6322031-10	57-10-00-03	-163	01
6322029-3	57-10-00-02	-308	02	6322031-10	57-10-00-03	-180	02
6322029-30	57-10-00-02	-269	01	6322031-14	57-10-00-03	-164	02
6322029-31	57-10-00-02	-314	01	6322031-3	57-10-00-03	-153	02
6322029-32	57-10-00-02	-315	01	6322031-4	57-10-00-03	-150	02
6322029-33	57-10-00-02	-237	01	6322031-5	57-10-00-03	-158	01
6322029-34	57-10-00-02	-238	01	6322031-6	57-10-00-03	-159	01
6322029-35	57-10-00-02	-250	01	6322031-7	57-10-00-03	-160	01
6322029-36	57-10-00-02	-251	01	6322031-7	57-10-00-03	-175	01
6322029-37	57-10-00-02	-255	01	6322031-7	57-10-00-03	-186	01
6322029-38	57-10-00-02	-256	01	6322031-8	57-10-00-03	-161	01
6322029-39	57-10-00-02	-270	01	6322031-8	57-10-00-03	-176	01
6322029-4	57-10-00-02	-252	02	6322031-8	57-10-00-03	-187	01
6322029-40	57-10-00-02	-271	01	6322031-9	57-10-00-03	-162	01
6322029-41	57-10-00-02	-300	01	6322031-9	57-10-00-03	-179	02
6322029-42	57-10-00-02	-301	01	6322032-10	57-10-00-03	-181	02
6322029-43	57-10-00-02	-306	01	6322032-3	57-10-00-03	-170	02
6322029-44	57-10-00-02	-307	01	6322032-4	57-10-00-03	-167	02
6322029-45	57-10-00-02	-253	01	6322032-5	57-10-00-03	-171	01
6322029-46	57-10-00-02	-254	01	6322032-6	57-10-00-03	-172	01
6322029-49	57-10-00-02	-244	01	6322033-10	57-10-00-03	-190	02
6322029-5	57-10-00-02	-309	02	6322033-3	57-10-00-03	-182	02
6322029-50	57-10-00-02	-245	01	6322033-4	57-10-00-03	-183	02
6322029-6	57-10-00-02	-225	02	6322033-5	57-10-00-03	-188	01
6322029-7	57-10-00-02	-262	01	6322033-6	57-10-00-03	-189	01
6322029-8	57-10-00-02	-263	01	6322034-11	52-80-00-01	-119	02
6322029-9	57-10-00-02	-257	01	6322034-12	52-80-00-01	-118	04
6322030-10	57-10-00-03	-010	02	6322034-13	52-80-00-01	-101	01
6322030-11	57-10-00-03	-029	01	6322034-14	52-80-00-01	-102	01
6322030-12	57-10-00-03	-030	01	6322034-17	52-80-00-01	-105A	01
6322030-13	57-10-00-03	-011	02	6322034-18	52-80-00-01	-106A	01
6322030-15	57-10-00-03	-034	01	6322034-3	52-80-00-01	-105	01
6322030-16	57-10-00-03	-035	01	6322034-4	52-80-00-01	-106	01
6322030-17	57-10-00-03	-094	01	6322034-7	52-80-00-01	-115	01
6322030-18	57-10-00-03	-099	01	6322034-8	52-80-00-01	-116	01
6322030-19	57-10-00-03	-075	01	6322035-10	57-10-00-03	-236	02
6322030-20	57-10-00-03	-076	01	6322035-11	57-10-00-03	-324	01
6322030-21	57-10-00-03	-108	01	6322035-12	57-10-00-03	-325	01
6322030-22	57-10-00-03	-109	01	6322035-13	57-10-00-03	-323	02
6322030-23	57-10-00-03	-081	01	6322035-20	57-10-00-03	-320	02
6322030-24	57-10-00-03	-082	01	6322035-27	57-10-00-03	-313	02
6322030-27	57-10-00-03	-123	01	6322035-28	57-10-00-03	-240	02
6322030-28	57-10-00-03	-124	01	6322035-29	57-10-00-03	-244	01
6322030-29	57-10-00-03	-127	01	6322035-3	57-10-00-03	-249	02
6322030-3	57-10-00-03	-001	01	6322035-30	57-10-00-03	-245	01
6322030-30	57-10-00-03	-128	01	6322035-31	57-10-00-03	-316	02
6322030-31	57-10-00-03	-125	01	6322035-4	57-10-00-03	-252	02
6322030-32	57-10-00-03	-126	01	6322035-5	57-10-00-03	-253	01
6322030-33	57-10-00-03	-121	02	6322035-6	57-10-00-03	-254	01
6322030-37	57-10-00-03	-092	04	6322035-7	57-10-00-03	-322	04
6322030-38	57-10-00-03	-095	01	6322035-8	57-10-00-03	-255	02

CESSNA®  
**MODEL 525 (SERIALS -0685 AND -0800 AND ON)**  
 ILLUSTRATED PARTS CATALOG

PART NUMBER	CH SEC SUBJ FIG	ITEM	REQ	PART NUMBER	CH SEC SUBJ FIG	ITEM	REQ
6322035-9	57-10-00-03	-321	02	6322102-23	57-20-03-02	-088	01
6322036-15	57-20-03-01	-015	02	6322102-29	57-20-03-02	-079	01
6322036-16	57-20-03-01	-003	02	6322102-30	57-20-03-02	-080	01
6322036-17	57-20-03-01	-016	01	6322102-31	57-20-03-02	-077	01
6322036-18	57-20-03-01	-017	01	6322102-32	57-20-03-02	-078	01
6322036-19	57-20-03-01	-001	01	6322102-33	57-20-03-02	-081	01
6322036-20	57-20-03-01	-002	01	6322103-12	57-20-03-02	-177	01
6322036-23	57-20-03-01	-007	02	6322103-13	57-20-03-02	-165	01
6322036-24	57-20-03-01	-005	02	6322103-14	57-20-03-02	-166	01
6322036-6	57-20-03-01	-014	02	6322103-22	57-20-03-02	-173	01
6322050-39	57-30-00-02	-003	01	6322103-23	57-20-03-02	-174	01
6322050-40	57-30-00-02	-004	01	6322103-24	57-20-03-02	-167	01
6322053-19	57-30-00-02	-037	01	6322103-25	57-20-03-02	-170	01
6322053-20	57-30-00-02	-038	01	6322103-35	57-20-03-02	-156	01
6322055-13	57-20-01-01	-015	01	6322103-36	57-20-03-02	-157	01
6322055-14	57-20-01-01	-016	01	6322103-37	57-20-03-02	-154	01
6322055-15	57-10-01-02	-001	02	6322103-38	57-20-03-02	-155	01
6322055-16	57-10-01-02	-002	02	6322103-39	57-20-03-02	-158	01
6322055-21	57-10-01-02	-014	02	6322103-7	57-20-03-02	-163	01
6322055-22	57-10-01-02	-015	02	6322103-8	57-20-03-02	-164	01
6322055-29	57-10-01-02	-022	01	6322104-10	57-40-00-01	-078	01
6322055-30	57-10-01-02	-023	01	6322104-11	57-30-00-02	-005	01
6322055-31	57-10-01-02	-016	01	6322104-12	57-30-00-02	-006	01
6322055-32	57-10-01-02	-017	01	6322104-13	57-30-00-02	-077	01
6322055-33	57-10-01-02	-009	01	6322104-14	57-30-00-02	-078	01
6322055-34	57-10-01-02	-010	01	6322104-15	57-30-00-02	-079	01
6322055-35	57-10-01-02	-020	01	6322104-16	57-30-00-02	-080	01
6322055-36	57-10-01-02	-021	01	6322104-17	57-30-00-02	-039	01
6322055-37	57-10-01-02	-013	02	6322104-18	57-30-00-02	-040	01
6322055-38	57-10-01-02	-011	02	6322104-19	57-30-00-02	-088	01
6322055-39	57-10-01-02	-007	01	6322104-20	57-30-00-02	-089	01
6322055-40	57-10-01-02	-008	01	6322104-21	57-30-00-02	-090	01
6322055-42	57-10-01-02	-006	01	6322104-22	57-30-00-02	-091	01
6322055-43	57-10-01-02	-005	01	6322104-226	57-40-00-01	-024	01
6322060-19	57-20-01-02	-008	01	6322104-227	57-40-00-01	-022	01
6322060-20	57-20-01-02	-009	01	6322104-228	57-40-00-01	-028	01
6322070-20	57-20-01-02	-016	01	6322104-229	57-40-00-01	-026	01
6322070-21	57-20-01-02	-015	01	6322104-230	57-40-00-01	-020	01
6322080-17	57-20-01-02	-007	02	6322104-231	57-40-00-01	-018	01
6322080-24	57-20-01-02	-002	01	6322104-29	57-40-00-01	-029	01
6322080-25	57-20-01-02	-001	01	6322104-3	57-40-00-01	-035	01
6322100-2	57-20-03-02	-098	04	6322104-30	57-40-00-01	-030	01
6322101-1	57-20-03-02	-001	01	6322104-31	57-40-00-01	-031	01
6322101-2	57-20-03-02	-002	01	6322104-32	57-40-00-01	-032	01
6322101-21	57-20-03-02	-013	01	6322104-33	57-40-00-01	-002	01
6322101-22	57-20-03-02	-014	01	6322104-34	57-40-00-01	-005	01
6322101-23	57-20-03-02	-017	01	6322104-35	57-40-00-01	-007	01
6322101-24	57-20-03-02	-018	01	6322104-36	57-40-00-01	-008	01
6322101-25	57-20-03-02	-021	01	6322104-39	57-40-00-01	-001	01
6322101-26	57-20-03-02	-022	01	6322104-4	57-40-00-01	-036	01
6322101-31	57-20-03-02	-007	01	6322104-40	57-40-00-01	-004	01
6322101-32	57-20-03-02	-008	01	6322104-41	57-40-00-01	-003	01
6322101-33	57-20-03-02	-005	01	6322104-42	57-40-00-01	-006	01
6322101-34	57-20-03-02	-006	01	6322104-5	57-40-00-01	-037	01
6322101-35	57-20-03-02	-003	01	6322104-6	57-40-00-01	-038	01
6322101-36	57-20-03-02	-004	01	6322104-60	57-40-00-01	-010	01
6322102-17	57-20-03-02	-096	01	6322104-61	57-40-00-01	-009	01
6322102-18	57-20-03-02	-095	01	6322104-66	57-40-00-01	-019	NP
6322102-19	57-20-03-02	-094	01	6322104-67	57-40-00-01	-017	NP
6322102-20	57-20-03-02	-093	01	6322104-68	57-40-00-01	-023	NP
6322102-21	57-20-03-02	-090	01	6322104-69	57-40-00-01	-021	NP
6322102-22	57-20-03-02	-089	01	6322104-7	57-40-00-01	-075	01

CESSNA®  
**MODEL 525 (SERIALS -0685 AND -0800 AND ON)**  
 ILLUSTRATED PARTS CATALOG

PART NUMBER	CH	SEC	SUBJ	FIG	ITEM	REQ	PART NUMBER	CH	SEC	SUBJ	FIG	ITEM	REQ
6322104-70	57	40	00	01	-027	NP	6322110-30	57	50	00	01	-088	01
6322104-71	57	40	00	01	-025	NP	6322110-31	57	50	00	01	-098	01
6322104-72	57	40	00	01	-034	01	6322110-32	57	50	00	01	-099	01
6322104-73	57	40	00	01	-033	01	6322110-34	57	50	00	01	-109	02
6322104-75	57	40	00	01	-092	01	6322110-35	57	50	00	01	-007	01
6322104-77	57	40	00	01	-095	01	6322110-36	57	50	00	01	-008	01
6322104-79	57	40	00	01	-093	01	6322110-39	57	50	00	01	-083	01
6322104-8	57	40	00	01	-076	01	6322110-40	57	50	00	01	-084	01
6322104-85	57	40	00	01	-081	01	6322110-401	57	50	00	01	-020	01
6322104-86	57	40	00	01	-082	01	6322110-402	57	50	00	01	-021	01
6322104-88	57	40	00	01	-084	01	6322110-403	57	50	00	01	-027	01
6322104-89	57	40	00	01	-083	01	6322110-404	57	50	00	01	-028	01
6322104-9	57	40	00	01	-077	01	6322110-43	57	50	00	01	-100	01
6322104-90	57	40	00	01	-086	01	6322110-44	57	50	00	01	-101	01
6322104-91	57	40	00	01	-013	02	6322110-46	57	50	00	01	-078	02
6322110-11	57	50	00	01	-091	01	6322110-49	57	30	00	02	-100	02
6322110-111	57	30	00	02	-101	02	6322110-55	57	50	00	01	-016	02
6322110-113	57	50	00	01	-089	01	6322110-59	57	50	00	01	-077	02
6322110-114	57	50	00	01	-090	01	6322110-60	57	50	00	01	-104	02
6322110-117	57	50	00	01	-117	02	6322110-63	57	50	00	01	-040	01
6322110-12	57	50	00	01	-092	01	6322110-64	57	50	00	01	-041	01
6322110-121	57	50	00	01	-112	04	6322110-65	57	50	00	01	-034	01
6322110-125	57	20	01	01	-022	01	6322110-66	57	50	00	01	-035	01
6322110-141	57	50	00	01	-107	01	6322110-67	57	50	00	01	-009	01
6322110-142	57	50	00	01	-108	01	6322110-68	57	50	00	01	-010	01
6322110-145	57	50	00	01	-011	01	6322110-85	57	50	00	01	-029	02
6322110-146	57	50	00	01	-012	01	6322110-91	57	50	00	01	-036	01
6322110-148	57	20	01	01	-023	01	6322110-92	57	50	00	01	-037	01
6322110-149	57	50	00	01	-022	01	6322110-93	57	50	00	01	-038	01
6322110-150	57	50	00	01	-023	01	6322110-94	57	50	00	01	-039	01
6322110-151	57	50	00	01	-024	01	6322110-95	57	50	00	01	-030	01
6322110-152	57	50	00	01	-025	01	6322110-96	57	50	00	01	-031	01
6322110-160	57	50	00	01	-095	02	6322110-97	57	50	00	01	-032	01
6322110-161	57	50	00	01	-081	01	6322110-98	57	50	00	01	-033	01
6322110-162	57	50	00	01	-082	01	6322111-1	57	30	00	02	-092	01
6322110-163	57	50	00	01	-085	01	6322111-2	57	30	00	02	-093	01
6322110-164	57	50	00	01	-086	01	6322111-41	57	30	00	02	-094	01
6322110-165	57	50	00	01	-096	01	6322111-42	57	30	00	02	-095	01
6322110-166	57	50	00	01	-097	01	6322111-47	57	30	00	02	-096	01
6322110-167	57	50	00	01	-093	01	6322111-48	57	30	00	02	-097	01
6322110-168	57	50	00	01	-094	01	6322112-1	57	50	00	01	-115	01
6322110-173	57	50	00	01	-075	01	6322112-2	57	50	00	01	-116	01
6322110-174	57	50	00	01	-076	01	6322112-3	57	20	01	01	-019	01
6322110-177	57	50	00	01	-111	02	6322112-4	57	20	01	01	-020	01
6322110-179	57	30	00	02	-098	01	6322121-1	57	20	03	02	-009	01
6322110-180	57	30	00	02	-099	01	6322121-2	57	20	03	02	-010	01
6322110-181	57	50	00	01	-014	01	6322121-3	57	20	03	02	-011	01
6322110-182	57	50	00	01	-015	01	6322121-4	57	20	03	02	-012	01
6322110-183	57	50	00	01	-001	01	6322122-3	57	20	03	02	-084	01
6322110-184	57	50	00	01	-002	01	6322122-4	57	20	03	02	-085	01
6322110-189	57	50	00	01	-122	01	6322123-3	57	20	03	02	-161	01
6322110-190	57	50	00	01	-123	01	6322123-4	57	20	03	02	-162	01
6322110-191	57	50	00	01	-119	01	6322137-11	57	20	03	01	-020	02
6322110-192	57	50	00	01	-120	01	6322137-13	57	20	03	01	-023	02
6322110-193	57	30	00	02	-102	02	6322137-15	57	20	03	01	-024	01
6322110-195	57	50	00	01	-113	01	6322137-16	57	20	03	01	-025	01
6322110-196	57	50	00	01	-114	01	6322137-3	57	20	03	01	-018	01
6322110-197	57	50	00	01	-102	01	6322137-4	57	20	03	01	-019	01
6322110-198	57	50	00	01	-103	01	6322137-5	57	20	03	01	-022	02
6322110-27	57	50	00	01	-079	01	6322138-13	57	20	03	01	-030	02
6322110-28	57	50	00	01	-080	01	6322138-3	57	20	03	01	-026	01
6322110-29	57	50	00	01	-087	01	6322138-4	57	20	03	01	-027	01

CESSNA®  
**MODEL 525 (SERIALS -0685 AND -0800 AND ON)**  
 ILLUSTRATED PARTS CATALOG

PART NUMBER	CH	SEC	SUBJ	FIG	ITEM	REQ	PART NUMBER	CH	SEC	SUBJ	FIG	ITEM	REQ
6322138-5	57	20	03	01	-028	02	6322153-49	57	20	01	01	-008	NP
6322138-6	57	20	03	01	-029	02	6322153-50	57	20	01	01	-009	NP
6322138-8	57	20	03	01	-031	02	6322153-57	57	20	01	01	-008A	01
6322139-10	57	20	03	01	-033	01	6322153-58	57	20	01	01	-009A	01
6322139-15	57	20	03	01	-036	01	6322160-1	57	30	00	02	-081	01
6322139-16	57	20	03	01	-037	01	6322160-2	57	30	00	02	-082	01
6322139-17	57	20	03	01	-035	02	6322162-1	57	30	01	01	-001	NP
6322139-4	57	20	03	01	-034	02	6322162-10	57	30	01	01	-009A	01
6322139-7	57	20	03	01	-038	01	6322162-11	57	30	01	01	-008	01
6322139-8	57	20	03	01	-039	01	6322162-12	57	30	01	01	-009	01
6322139-9	57	20	03	01	-032	01	6322162-13	57	30	01	01	-011	01
6322140-13	57	20	03	01	-046	02	6322162-14	57	30	01	01	-012	01
6322140-3	57	20	03	01	-040	01	6322162-15	57	30	01	01	-006	01
6322140-4	57	20	03	01	-041	01	6322162-16	57	30	01	01	-007	01
6322140-5	57	20	03	01	-042	02	6322162-17	57	30	01	01	-001A	01
6322140-6	57	20	03	01	-045	02	6322162-18	57	30	01	01	-002A	01
6322140-7	57	20	03	01	-043	02	6322162-2	57	30	01	01	-002	NP
6322140-8	57	20	03	01	-044	02	6322162-7	57	30	01	01	-004	01
6322141-15	57	20	03	01	-075	01	6322162-8	57	30	01	01	-005	01
6322141-16	57	20	03	01	-076	01	6322162-9	57	30	01	01	-008A	01
6322141-19	57	20	03	01	-079	02	6322164-1	57	30	01	01	-036	01
6322141-3	57	20	03	01	-078	02	6322164-10	57	30	01	01	-028	01
6322141-4	57	20	03	01	-077	02	6322164-11	57	20	03	01	-160	02
6322141-7	57	20	03	01	-080	02	6322164-13	57	30	01	01	-020	01
6322142-13	57	20	03	01	-089	02	6322164-14	57	30	01	01	-021	01
6322142-3	57	20	03	01	-085	01	6322164-15	57	30	01	01	-014	01
6322142-4	57	20	03	01	-086	01	6322164-16	57	30	01	01	-015	01
6322142-5	57	20	03	01	-087	02	6322164-17	57	30	01	01	-016	01
6322142-6	57	20	03	01	-090	02	6322164-18	57	30	01	01	-017	01
6322142-7	57	20	03	01	-088	02	6322164-19	57	30	01	01	-029	01
6322143-11	57	20	03	01	-096	02	6322164-2	57	30	01	01	-037	01
6322143-15	57	20	03	01	-095	02	6322164-20	57	30	01	01	-030	01
6322143-16	57	20	03	01	-093	02	6322164-21	57	20	03	01	-150	01
6322143-3	57	20	03	01	-091	01	6322164-22	57	20	03	01	-151	01
6322143-4	57	20	03	01	-092	01	6322164-23	57	20	03	01	-152	01
6322143-6	57	20	03	01	-094	02	6322164-24	57	20	03	01	-153	01
6322144-13	57	20	03	01	-102	02	6322164-25	57	30	01	01	-024	04
6322144-15	57	20	03	01	-099	01	6322164-26	57	30	01	01	-023	02
6322144-16	57	20	03	01	-100	01	6322164-27	57	30	01	01	-034	01
6322144-3	57	20	03	01	-097	01	6322164-28	57	30	01	01	-035	01
6322144-4	57	20	03	01	-098	01	6322164-3	57	30	01	01	-039	01
6322144-6	57	20	03	01	-101	02	6322164-30	57	30	01	01	-033	04
6322144-9	57	20	03	01	-103	02	6322164-31	57	30	01	01	-032	04
6322145-18	57	20	03	01	-106	02	6322164-33	57	30	01	01	-031	02
6322145-19	57	20	03	01	-104	01	6322164-35	57	30	01	01	-022	02
6322145-20	57	20	03	01	-105	01	6322164-4	57	30	01	01	-040	01
6322145-21	57	20	03	01	-107	02	6322164-5	57	30	01	01	-041	01
6322145-22	57	20	03	01	-109	02	6322164-6	57	30	01	01	-042	01
6322145-6	57	20	03	01	-108	02	6322164-7	57	30	01	01	-025	01
6322146-13	57	20	03	01	-157	02	6322164-8	57	30	01	01	-026	01
6322146-17	57	20	03	01	-155	01	6322164-9	57	30	01	01	-027	01
6322146-18	57	20	03	01	-156	01	6322171-1	57	30	00	02	-028	01
6322146-23	57	20	03	01	-163	02	6322171-2	57	30	00	02	-029	01
6322146-45	57	20	03	01	-161	01	6322200-3	57	20	03	01	-159	02
6322146-46	57	20	03	01	-162	01	6322205-11	57	50	01	01	-006	01
6322150-11	57	30	00	02	-075	01	6322205-12	57	50	01	01	-007	01
6322150-12	57	30	00	02	-076	01	6322205-14	57	50	01	01	-008	02
6322152-17	57	30	00	02	-084	01	6322205-25	57	50	01	01	-003	01
6322152-18	57	30	00	02	-085	01	6322205-26	57	50	01	01	-004	01
6322153-1	57	30	00	02	-086	01	6322205-27	57	50	01	01	-001	01
6322153-2	57	30	00	02	-087	01	6322205-28	57	50	01	01	-002	01
6322153-44	57	20	01	01	-018	02	6322205-37	57	50	01	01	-012	01

CESSNA®  
**MODEL 525 (SERIALS -0685 AND -0800 AND ON)**  
 ILLUSTRATED PARTS CATALOG

PART NUMBER	CH SEC SUBJ FIG	ITEM	REQ	PART NUMBER	CH SEC SUBJ FIG	ITEM	REQ
6322205-38	57-50-01-01	-013	01	6322420-38	57-40-00-01	-102	01
6322206-11	57-50-01-01	-026	01	6324001-11	57-60-00-02	-013	02
6322206-12	57-50-01-01	-027	01	6324001-23	57-60-00-02	-008	01
6322206-29	57-50-01-01	-024	01	6324001-24	57-60-00-02	-009	01
6322206-3	57-50-01-01	-019	01	6324001-29	57-60-00-02	-017	01
6322206-30	57-50-01-01	-025	01	6324001-32	57-60-00-02	-002	01
6322206-33	57-50-01-01	-028	01	6324001-33	57-60-00-02	-001A	01
6322206-34	57-50-01-01	-029	01	6324001-34	57-60-00-02	-002A	01
6322206-35	57-50-01-01	-023	02	6324001-7	57-60-00-02	-015	01
6322206-37	57-50-01-01	-021	01	6324002-3	57-60-00-03	-005	01
6322206-38	57-50-01-01	-022	01	6324002-4	57-60-00-03	-006	01
6322206-4	57-50-01-01	-020	01	6324003-11	57-60-00-02	-022	01
6322206-7	57-50-01-01	-017	01	6324003-12	57-60-00-02	-023	01
6322206-8	57-50-01-01	-018	01	6324003-15	57-60-00-02	-024	01
6322207-10	57-60-00-01	-020	01	6324003-16	57-60-00-02	-025	01
6322207-19	57-60-00-01	-033	02	6324003-19	57-60-00-02	-026	01
6322207-21	57-60-00-01	-018	01	6324003-20	57-60-00-02	-027	01
6322207-23	57-60-00-01	-016	01	6324003-29	57-60-00-02	-018	01
6322207-25	57-60-00-01	-009	02	6324003-30	57-60-00-02	-019	01
6322207-3	57-60-00-01	-031	01	6324003-7	57-60-00-02	-020	01
6322207-31	57-60-00-01	-003	01	6324003-8	57-60-00-02	-021	01
6322207-32	57-60-00-01	-004	01	6324004-17	57-60-00-02	-103	01
6322207-33	57-60-00-01	-001	01	6324004-4	57-60-00-02	-107	01
6322207-34	57-60-00-01	-002	01	6324004-6	57-60-00-02	-104	01
6322207-4	57-60-00-01	-032	01	6324004-7	57-60-00-02	-105	01
6322207-5	57-60-00-01	-029	01	6324004-8	57-60-00-02	-106	01
6322207-6	57-60-00-01	-030	01	6324005-4	57-60-00-02	-110	01
6322207-7	57-60-00-01	-021	01	6324005-5	57-60-00-02	-112	01
6322207-8	57-60-00-01	-022	01	6324006-10	57-60-00-02	-087	01
6322207-9	57-60-00-01	-019	01	6324006-11	57-60-00-02	-075	01
6322208-10	57-50-01-01	-033	01	6324006-12	57-60-00-02	-076	01
6322208-11	57-50-01-01	-041	01	6324006-13	57-60-00-02	-077	01
6322208-12	57-50-01-01	-042	01	6324006-14	57-60-00-02	-078	01
6322208-13	57-50-01-01	-040	02	6324006-15	57-60-00-02	-079	01
6322208-17	57-50-01-01	-038	01	6324006-16	57-60-00-02	-080	01
6322208-18	57-50-01-01	-039	01	6324006-17	57-60-00-02	-081	01
6322208-19	57-50-01-01	-036	01	6324006-18	57-60-00-02	-082	01
6322208-20	57-50-01-01	-037	01	6324006-19	57-60-00-02	-083	01
6322208-21	57-50-01-01	-009	04	6324006-20	57-60-00-02	-085	01
6322208-21	57-50-01-01	-045	04	6324006-28	57-60-00-02	-084	01
6322208-23	57-50-01-01	-010	01	6324006-29	57-60-00-02	-086	01
6322208-23	57-50-01-01	-043	01	6324006-3	57-60-00-02	-088	01
6322208-24	57-50-01-01	-011	01	6324006-32	57-60-00-02	-091	01
6322208-24	57-50-01-01	-044	01	6324006-33	57-60-00-02	-090	01
6322208-5	57-50-01-01	-034	01	6324006-35	57-60-00-02	-092	01
6322208-6	57-50-01-01	-035	01	6324006-4	57-60-00-02	-089	01
6322208-9	57-50-01-01	-032	01	6324006-5	57-60-00-02	-097	01
6322220-3	57-20-03-02	-075	01	6324006-6	57-60-00-02	-098	01
6322220-4	57-20-03-02	-076	01	6324006-8	57-60-00-02	-102	01
6322221-1	57-20-03-02	-082	01	6324006-9	57-60-00-02	-101	01
6322221-2	57-20-03-02	-083	01	6324008-101	57-60-00-03	-101	01
6322230-1	57-20-03-02	-150	01	6324008-103	57-60-00-03	-075	01
6322230-2	57-20-03-02	-151	01	6324008-105	57-60-00-03	-001	01
6322231-1	57-20-03-02	-159	01	6324008-107	57-60-00-03	-011	01
6322231-2	57-20-03-02	-160	01	6324008-109	57-60-00-03	-014	01
6322300-1	57-10-00-03	-155	04	6324008-11	57-60-00-03	-027	01
6322300-1	57-20-03-01	-006	35	6324008-111	57-60-00-03	-020	01
6322300-1	57-20-03-01	-081	16	6324008-113	57-60-00-03	-023	01
6322300-2	57-10-00-03	-154	04	6324008-121	57-60-00-03	-035	01
6322300-2	57-20-03-01	-004	35	6324008-123	57-60-00-03	-040	01
6322300-2	57-20-03-01	-082	16	6324008-125	57-60-00-03	-029	01
6322420-37	57-40-00-01	-101	01	6324008-127	57-60-00-03	-002	01



CESSNA®  
**MODEL 525 (SERIALS -0685 AND -0800 AND ON)**  
 ILLUSTRATED PARTS CATALOG

PART NUMBER	CH	SEC	SUBJ	FIG	ITEM	REQ	PART NUMBER	CH	SEC	SUBJ	FIG	ITEM	REQ
6324008-13	57	60	00	03	-033	01	6324110-15	57	60	00	02	-001	01
6324008-14	57	60	00	03	-036	01	6324110-7	57	60	00	02	-014	01
6324008-18	57	60	00	03	-042	01	6324110-8	57	60	00	02	-011	01
6324008-19	57	60	00	03	-038	01	6324110-9	57	60	00	02	-012	01
6324008-20	57	60	00	03	-041	01	6324115-2	57	60	00	02	-109	01
6324008-22	57	60	00	03	-080	01	6324115-3	57	60	00	02	-113	01
6324008-24	57	60	00	03	-079	01	6324115-4	57	60	00	02	-114	01
6324008-26	57	60	00	03	-078	01	6324115-5	57	60	00	02	-111	01
6324008-28	57	60	00	03	-086	01	6324130-1	57	60	00	02	-150	01
6324008-3	57	60	00	03	-007	01	6324130-10	57	60	00	02	-160	01
6324008-30	57	60	00	03	-085	01	6324130-11	57	60	00	02	-159	01
6324008-31	57	60	00	03	-081	01	6324130-12	57	60	00	02	-154	01
6324008-32	57	60	00	03	-084	01	6324130-14	57	60	00	02	-167	01
6324008-34	57	60	00	03	-092	01	6324130-17	57	60	00	02	-157	01
6324008-36	57	60	00	03	-091	01	6324130-2	57	60	00	02	-164	01
6324008-37	57	60	00	03	-087	01	6324130-21	57	60	00	02	-168	01
6324008-38	57	60	00	03	-090	01	6324130-22	57	60	00	02	-158	01
6324008-4	57	60	00	03	-008	01	6324130-3	57	60	00	02	-153	01
6324008-40	57	60	00	03	-098	01	6324130-4	57	60	00	02	-165	01
6324008-42	57	60	00	03	-097	01	6324130-5	57	60	00	02	-163	01
6324008-43	57	60	00	03	-093	01	6324130-6	57	60	00	02	-162	01
6324008-44	57	60	00	03	-096	01	6324130-7	57	60	00	02	-161	01
6324008-46	57	60	00	03	-104	01	6324130-8	57	60	00	02	-170	01
6324008-48	57	60	00	03	-103	01	6324130-9	57	60	00	02	-169	01
6324008-49	57	60	00	03	-099	01	6325010-13	57	50	01	02	-022	02
6324008-50	57	60	00	03	-102	01	6325010-14	57	50	01	02	-023	02
6324008-51	57	60	00	03	-004	01	6325010-15	57	50	01	02	-081	01
6324008-52	57	60	00	03	-003	01	6325010-16	57	50	01	02	-082	01
6324008-53	57	60	00	03	-013	01	6325010-17	57	50	01	02	-029	01
6324008-54	57	60	00	03	-017	01	6325010-18	57	50	01	02	-030	01
6324008-55	57	60	00	03	-016	01	6325010-19	57	50	01	02	-020	01
6324008-56	57	60	00	03	-015	01	6325010-20	57	50	01	02	-021	01
6324008-57	57	60	00	03	-026	01	6325010-21	57	50	01	02	-037	01
6324008-58	57	60	00	03	-025	01	6325010-22	57	50	01	02	-038	01
6324008-59	57	60	00	03	-024	01	6325010-23	57	50	01	02	-035	01
6324008-60	57	60	00	03	-032	01	6325010-24	57	50	01	02	-036	01
6324008-61	57	60	00	03	-031	01	6325010-25	57	50	01	02	-033	01
6324008-62	57	60	00	03	-030	01	6325010-26	57	50	01	02	-034	01
6324008-63	57	60	00	03	-037	01	6325010-27	57	50	01	02	-031	01
6324008-66	57	60	00	03	-043	01	6325010-28	57	50	01	02	-032	01
6324008-69	57	60	00	03	-010	01	6325010-33	57	50	01	02	-077	01
6324008-7	57	60	00	03	-018	01	6325010-34	57	50	01	02	-078	01
6324008-71	57	60	00	03	-012	01	6325010-35	57	50	01	02	-075	01
6324008-73	57	60	00	03	-019	01	6325010-36	57	50	01	02	-076	01
6324008-75	57	60	00	03	-022	01	6325010-37	57	50	01	02	-018	01
6324008-77	57	60	00	03	-028	01	6325010-39	57	50	01	02	-024	01
6324008-79	57	60	00	03	-034	01	6325010-40	57	50	01	02	-025	01
6324008-81	57	60	00	03	-039	01	6325010-43	57	50	01	02	-079	01
6324008-83	57	60	00	03	-076	01	6325100-10	57	50	01	02	-090	01
6324008-85	57	60	00	03	-082	01	6325100-11	57	50	01	02	-172	01
6324008-87	57	60	00	03	-088	01	6325100-12	57	50	01	02	-173	01
6324008-89	57	60	00	03	-094	01	6325100-15	57	50	01	02	-108	01
6324008-9	57	60	00	03	-021	01	6325100-16	57	50	01	02	-109	01
6324008-91	57	60	00	03	-100	01	6325100-17	57	50	01	02	-106	01
6324008-93	57	60	00	03	-077	01	6325100-18	57	50	01	02	-107	01
6324008-95	57	60	00	03	-083	01	6325100-19	57	50	01	02	-104	01
6324008-97	57	60	00	03	-089	01	6325100-20	57	50	01	02	-105	01
6324008-99	57	60	00	03	-095	01	6325100-21	57	50	01	02	-102	01
6324009-17	57	70	00	01	-001	01	6325100-22	57	50	01	02	-103	01
6324009-18	57	70	00	01	-002	01	6325100-23	57	50	01	02	-098	01
6324110-10	57	60	00	02	-010	02	6325100-24	57	50	01	02	-099	01
6324110-12	57	60	00	02	-016	01	6325100-25	57	50	01	02	-096	01

CESSNA®  
**MODEL 525 (SERIALS -0685 AND -0800 AND ON)**  
 ILLUSTRATED PARTS CATALOG

PART NUMBER	CH SEC SUBJ FIG	ITEM	REQ	PART NUMBER	CH SEC SUBJ FIG	ITEM	REQ
6325100-26	57-50-01-02	-097	01	6326100-21	28-10-00-01	-018	04
6325100-27	57-50-01-02	-094	01	6326100-23	28-10-00-01	-015	02
6325100-28	57-50-01-02	-095	01	6326100-24	28-10-00-01	-014	02
6325100-29	57-50-01-02	-092	01	6326100-25	28-10-00-01	-013	02
6325100-3	57-50-01-02	-083	01	6326100-26	28-10-00-01	-001	02
6325100-30	57-50-01-02	-093	01	6326100-27	28-10-00-01	-002	01
6325100-31	57-50-01-02	-017	01	6326100-28	28-10-00-01	-003	01
6325100-32	57-50-01-02	-016	01	6326101-29	28-10-00-01	-050	01
6325100-33	57-50-01-02	-014	01	6326102-1	57-20-03-01	-009	01
6325100-34	57-50-01-02	-015	01	6326102-1	57-20-03-02	-086	01
6325100-35	57-50-01-02	-027	01	6326102-2	57-20-03-01	-010	01
6325100-36	57-50-01-02	-028	01	6326102-2	57-20-03-02	-087	01
6325100-4	57-50-01-02	-084	01	6326102-3	57-10-00-03	-008	01
6325100-43	57-50-01-02	-100	01	6326102-4	57-10-00-03	-007	01
6325100-44	57-50-01-02	-101	01	6326200-13	28-20-00-01	-053	02
6325100-47	57-50-01-02	-087	01	6326200-31	28-20-00-01	-050	01
6325100-48	57-50-01-02	-088	01	6326200-32	28-20-00-01	-051	01
6325100-5	57-50-01-02	-085	01	6326200-41	28-20-00-01	-087	01
6325100-55	57-50-01-02	-150	01	6326200-49	28-20-00-01	-040	01
6325100-56	57-50-01-02	-151	01	6326200-50	28-20-00-01	-041	01
6325100-57	57-50-01-02	-152	01	6326200-71	28-20-00-01	-012	01
6325100-58	57-50-01-02	-153	01	6326200-72	28-20-00-01	-013	01
6325100-6	57-50-01-02	-086	01	6326200-75	28-20-00-01	-007	01
6325100-63	57-50-01-02	-156	01	6326200-76	28-20-00-01	-008	01
6325100-64	57-50-01-02	-157	01	6326200-77	28-20-00-01	-046	01
6325100-71	57-50-01-02	-158	01	6326200-78	28-20-00-01	-047	01
6325100-72	57-50-01-02	-159	01	6326200-79	28-20-00-01	-098	01
6325100-73	57-50-01-02	-168	01	6326200-80	28-20-00-01	-097	01
6325100-74	57-50-01-02	-169	01	6326200-81	28-20-00-01	-096	01
6325100-75	57-50-01-02	-165	01	6326207-3	28-10-00-01	-017	02
6325100-76	57-50-01-02	-166	01	6326251-30	28-40-00-01	-012	02
6325100-77	57-50-01-02	-170	01	6326251-30	57-20-03-02	-097	01
6325100-78	57-50-01-02	-171	01	6326251-31	28-40-00-01	-011	02
6325100-79	57-50-01-02	-154	01	6326251-31	57-20-03-02	-091	01
6325100-80	57-50-01-02	-155	01	6326251-32	28-40-00-01	-010	02
6325100-81	57-50-01-02	-006	01	6326251-32	57-20-03-01	-011	02
6325100-82	57-50-01-02	-007	01	6326251-33	28-40-00-01	-009	02
6325100-9	57-50-01-02	-089	01	6326251-33	57-10-00-03	-173	02
6325305-42	57-50-01-02	-160	02	6326251-35	28-40-00-01	-007	01
6325305-43	57-50-01-02	-161	02	6326251-35	57-10-00-01	-101	01
6325305-44	57-50-01-02	-162	02	6326251-36	28-40-00-01	-008	01
6325305-46	57-50-01-02	-163	02	6326251-36	57-10-00-01	-102	01
6325305-53	57-50-01-02	-167	02	6326251-38	28-40-00-01	-006	02
6325305-54	57-50-01-02	-164	02	6326251-4	57-10-00-03	-174	02
6325500-13	57-70-00-01	-007	02	6326275-4	28-10-00-02	-002	01
6325500-15	57-70-00-01	-010	04	6326275-5	28-10-00-02	-005	01
6325500-15	57-70-00-01	-024	04	6326300-15	28-20-00-01	-025	01
6325500-21	57-70-00-01	-013	01	6326300-16	28-20-00-01	-026	01
6325500-22	57-70-00-01	-014	01	6326300-17	28-20-00-01	-027	02
6325500-29	57-70-00-01	-006	02	6326300-23	28-20-00-01	-038	01
6325500-33	57-70-00-01	-008	01	6326300-24	28-20-00-01	-039	01
6325500-34	57-70-00-01	-009	01	6326300-3	28-20-00-01	-028	01
6325500-8	57-70-00-01	-011	01	6326300-4	28-20-00-01	-029	01
6325500-8	57-70-00-01	-025	01	6326300-41	28-20-00-01	-024	02
6325501-17	57-70-00-01	-027	01	6326300-5	28-20-00-01	-031	01
6325501-18	57-70-00-01	-028	01	6326300-6	28-20-00-01	-032	01
6325501-19	57-70-00-01	-022	01	6326300-63	28-20-00-01	-075	01
6325501-20	57-70-00-01	-023	01	6326300-64	28-20-00-01	-076	01
6325501-30	57-70-00-01	-020	01	6326300-69	28-20-00-01	-016	01
6325501-7	57-70-00-01	-019	01	6326300-70	28-20-00-01	-017	01
6326100-19	28-10-00-01	-019	01	6326601-34	28-20-00-01	-103	01
6326100-20	28-10-00-01	-020	01	6327000-13	52-80-00-01	-090	01

CESSNA®  
**MODEL 525 (SERIALS -0685 AND -0800 AND ON)**  
 ILLUSTRATED PARTS CATALOG

PART NUMBER	CH SEC SUBJ FIG	ITEM	REQ	PART NUMBER	CH SEC SUBJ FIG	ITEM	REQ
6327000-14	52-80-00-01	-091	01	6327500-22	32-30-00-02	-152	01
6327000-15	52-80-00-01	-080	01	6327500-23	32-30-00-02	-075	01
6327000-16	52-80-00-01	-081	01	6327500-24	32-30-00-02	-077	01
6327000-17	52-80-00-01	-086	01	6327500-25	32-30-00-02	-036	01
6327000-23	52-80-00-01	-092	01	6327500-26	32-30-00-02	-038	01
6327000-24	52-80-00-01	-093	01	6327500-31	32-30-00-02	-089	01
6327000-45	52-80-00-01	-079	02	6327500-32	32-30-00-02	-091	01
6327000-49	52-80-00-01	-094	02	6327500-33	27-50-01-01	-087	01
6327000-61	52-80-00-01	-084	01	6327500-34	27-50-01-01	-089	01
6327000-62	52-80-00-01	-085	01	6327500-35	27-50-01-01	-083	01
6327000-69	52-80-00-01	-075	01	6327500-36	27-50-01-01	-085	01
6327000-70	52-80-00-01	-076	01	6327500-37	27-60-00-02	-077	01
6327011-15	32-30-00-02	-076	01	6327500-38	27-60-00-02	-079	01
6327011-16	32-30-00-02	-078	01	6327500-39	27-60-00-02	-081	01
6327011-17	32-30-00-02	-037	01	6327500-40	27-60-00-02	-083	01
6327011-18	32-30-00-02	-039	01	6327500-41	27-50-01-01	-106	01
6327011-19	32-30-00-02	-090	01	6327500-42	27-50-01-01	-108	01
6327011-20	32-30-00-02	-092	01	6327500-43	27-60-00-02	-090	01
6327011-21	27-50-01-01	-088	01	6327500-44	27-60-00-02	-092	01
6327011-22	27-50-01-01	-090	01	6327500-45	27-60-00-02	-094	01
6327011-25	27-60-00-02	-078	01	6327500-46	27-60-00-02	-096	01
6327011-26	27-60-00-02	-080	01	6327500-47	27-60-00-02	-103	01
6327011-27	27-60-00-02	-082	01	6327500-48	27-60-00-02	-105	01
6327011-28	27-60-00-02	-084	01	6327500-53	27-50-01-01	-110A	02
6327011-33	27-60-00-02	-091	01	6327500-54	27-60-00-02	-101	02
6327011-34	27-60-00-02	-093	01	6327500-55	32-41-00-04	-032	01
6327011-37	27-60-00-02	-104	01	6327500-56	32-41-00-04	-033	01
6327011-38	27-60-00-02	-106	01	6327500-57	32-41-00-04	-003	01
6327011-41	32-41-00-05	-085	01	6327500-58	32-41-00-04	-005	01
6327011-43	32-41-00-05	-091	01	6327500-59	32-41-00-05	-084	01
6327011-44	32-41-00-05	-093	01	6327500-60	32-41-00-05	-086	01
6327011-45	32-41-00-05	-102	01	6327500-61	32-41-00-04	-034	02
6327011-46	32-41-00-05	-104	01	6327500-7	32-41-00-05	-090	01
6327011-47	32-41-00-04	-017	01	6327500-77	32-41-00-04	-043	01
6327011-48	32-41-00-04	-019	01	6327500-78	32-41-00-04	-044	01
6327011-49	32-41-00-04	-023	01	6327500-8	32-41-00-05	-092	01
6327011-50	32-41-00-04	-025	01	6327500-9	32-41-00-04	-016	01
6327011-51	32-30-00-02	-172	01	6327501-13	32-30-00-02	-011	02
6327011-52	32-30-00-02	-174	01	6327501-16	32-30-00-02	-020	01
6327011-53	32-30-00-02	-184	01	6327501-17	32-30-00-02	-019	01
6327011-54	32-30-00-02	-186	01	6327501-20	32-30-00-02	-028	02
6327011-55	32-30-00-02	-151	01	6327501-21	32-30-00-02	-027	02
6327011-56	32-30-00-02	-153	01	6327501-5	32-30-00-02	-022	01
6327011-57	32-30-00-02	-160	01	6327501-6	32-30-00-02	-023	01
6327011-58	32-30-00-02	-162	01	6327502-12	32-30-01-04	-039	01
6327011-61	27-60-00-02	-095	01	6327502-13	27-50-01-01	-018	02
6327011-62	27-60-00-02	-097	01	6327502-18	27-50-01-01	-075	01
6327011-63	27-50-01-01	-084	01	6327502-25	27-50-01-01	-009	01
6327011-64	27-50-01-01	-086	01	6327502-27	27-50-01-01	-016	01
6327011-65	27-50-01-01	-107	01	6327504-6	32-30-00-02	-001	02
6327011-66	27-50-01-01	-109	01	6327504-7	32-30-01-04	-009	01
6327011-68	32-41-00-05	-087	01	6331000-1	55-30-00-01	-001	01
6327011-69	32-41-00-04	-004	01	6331001-13	55-30-00-03	-076	01
6327011-72	32-41-00-04	-006	01	6331001-14	55-30-00-03	-084	01
6327500-10	32-41-00-04	-018	01	6331001-15	55-30-00-03	-079	01
6327500-11	32-41-00-05	-099	NP	6331001-16	55-30-00-03	-091	01
6327500-12	32-41-00-05	-100	NP	6331001-17	55-30-00-03	-080	01
6327500-13	32-41-00-04	-020	01	6331001-18	55-30-00-03	-081	01
6327500-14	32-41-00-04	-021	01	6331001-2	55-30-00-03	-075	01
6327500-19	32-30-00-02	-159	01	6331002-10	55-30-00-03	-101	01
6327500-20	32-30-00-02	-161	01	6331002-19	55-30-00-03	-093	01
6327500-21	32-30-00-02	-150	01	6331002-6	55-30-00-03	-102	01

CESSNA®  
**MODEL 525 (SERIALS -0685 AND -0800 AND ON)**  
 ILLUSTRATED PARTS CATALOG

PART NUMBER	CH	SEC	SUBJ	FIG	ITEM	REQ	PART NUMBER	CH	SEC	SUBJ	FIG	ITEM	REQ
6331002-7	55	30	00	03	-094	01	6331024-31	55	30	00	02	-002	01
6331002-8	55	30	00	03	-095	01	6331024-41	55	30	00	02	-003	01
6331002-9	55	30	00	03	-096	01	6331024-42	55	30	00	02	-004	01
6331006-11	55	30	01	01	-087	04	6331024-43	55	30	00	02	-005	01
6331007-2	55	30	00	01	-014	01	6331024-44	55	30	00	02	-006	01
6331007-3	55	30	00	01	-015	01	6331025-12	55	31	00	01	-006	01
6331007-5	55	30	00	01	-022	01	6331025-16	55	31	00	01	-024	01
6331007-6	55	30	00	01	-016	01	6331025-17	55	31	00	01	-001	01
6331008-2	55	30	00	03	-001	01	6331025-18	55	31	00	01	-014	01
6331010-2	55	30	00	03	-006	01	6331025-19	55	31	00	01	-005	01
6331010-3	55	30	00	03	-007	01	6331025-21	55	31	00	01	-007	01
6331010-5	55	30	00	03	-011	01	6331025-22	55	31	00	01	-008	01
6331010-7	55	30	00	03	-009	01	6331025-24	55	31	00	01	-019	01
6331010-8	55	30	00	03	-010	01	6331025-25	55	31	00	01	-016	01
6331011-2	55	30	00	03	-012	01	6331025-3	55	10	00	01	-007	01
6331011-3	55	30	00	03	-013	01	6331025-4	55	10	00	01	-008	01
6331011-5	55	30	00	03	-017	01	6331026-3	55	30	01	01	-017	01
6331011-6	55	30	00	03	-015	01	6331026-4	55	30	01	01	-018	01
6331011-7	55	30	00	03	-016	01	6331027-3	55	30	01	01	-012	01
6331011-9	55	30	00	03	-014	01	6331033-7	55	30	00	03	-026	01
6331012-2	55	30	00	03	-025	01	6331103-10	55	30	00	03	-158	01
6331012-5	55	30	00	03	-028	01	6331103-11	55	30	00	03	-157	03
6331012-6	55	30	00	03	-029	01	6331103-13	55	30	00	03	-161	01
6331012-7	55	30	00	03	-030	01	6331103-14	55	30	00	03	-162	01
6331012-9	55	30	00	03	-027	01	6331103-15	55	30	00	03	-163	01
6331013-2	55	30	00	03	-041	01	6331103-21	55	30	00	03	-159	01
6331013-3	55	30	00	03	-042	01	6331103-23	55	30	00	03	-167	01
6331013-5	55	30	00	03	-044	01	6331103-24	55	30	00	03	-166	01
6331013-6	55	30	00	03	-045	01	6331103-25	55	30	00	03	-165	01
6331013-7	55	30	00	03	-046	01	6331103-26	55	30	00	03	-164	01
6331013-9	55	30	00	03	-043	01	6331103-27	55	30	00	03	-152	01
6331014-3	55	30	00	03	-032	01	6331103-28	55	30	00	03	-153	01
6331014-5	55	30	00	03	-031	01	6331103-29	55	30	00	03	-150	01
6331014-7	55	30	00	03	-033	01	6331103-3	55	30	00	03	-160	01
6331015-2	55	30	00	03	-038	01	6331103-9	55	30	00	03	-151	01
6331015-3	55	30	00	03	-034	01	6331609-2	55	30	01	01	-095	01
6331015-5	55	30	00	03	-039	01	6331620-3	55	30	01	01	-079	01
6331015-6	55	30	00	03	-040	01	6331620-4	55	30	01	01	-080	01
6331015-7	55	30	00	03	-037	01	6331620-5	55	30	01	01	-075	01
6331016-2	55	30	00	03	-174	01	6331620-6	55	30	01	01	-076	01
6331016-3	55	30	00	03	-173	01	6331620-7	55	30	01	01	-085	01
6331017-1	55	30	01	01	-001	01	6331620-8	55	30	01	01	-086	01
6331018-7	55	30	01	01	-015	01	6331630-3	55	30	00	03	-097	01
6331020-2	55	30	00	03	-002	01	6332000-1	55	10	00	01	-001	01
6331020-3	55	30	00	03	-003	01	6332000-14	55	10	00	03	-002	01
6331020-4	55	30	00	03	-004	01	6332000-15	55	10	00	03	-001	01
6331021-2	55	30	00	03	-018	01	6332000-18	55	10	00	02	-152	02
6331021-3	55	30	00	03	-019	01	6332000-19	55	10	00	02	-153	02
6331021-5	55	30	00	03	-024	01	6332000-2	55	10	00	03	-008	01
6331021-6	55	30	00	03	-021	01	6332000-20	55	10	00	03	-004	01
6331021-7	55	30	00	03	-022	01	6332000-21	55	10	00	03	-003	01
6331021-8	55	30	00	03	-023	01	6332000-22	55	10	00	02	-150	02
6331021-9	55	30	00	03	-020	01	6332000-23	55	10	00	02	-151	02
6331022-2	55	30	00	01	-023	01	6332000-3	55	10	00	03	-007	01
6331022-3	55	30	00	01	-026	01	6332000-4	55	10	00	03	-010	01
6331022-4	55	30	00	01	-027	01	6332000-5	55	10	00	03	-009	01
6331023-2	55	30	01	01	-010	01	6332001-2	55	10	00	01	-029	01
6331023-3	55	30	01	01	-011	01	6332001-3	55	10	00	01	-034	01
6331024-18	55	30	01	02	-005	06	6332001-4	55	10	00	01	-035	02
6331024-19	55	30	01	02	-001	01	6332001-5	55	10	00	01	-036	02
6331024-20	55	30	01	02	-002	01	6332002-2	55	10	00	01	-089	01
6331024-22	55	30	01	02	-008	06	6332002-3	55	10	00	01	-090	02

CESSNA®  
**MODEL 525 (SERIALS -0685 AND -0800 AND ON)**  
 ILLUSTRATED PARTS CATALOG

PART NUMBER	CH	SEC	SUBJ	FIG	ITEM	REQ	PART NUMBER	CH	SEC	SUBJ	FIG	ITEM	REQ
6332002-4	55	10	00	01	-091	02	6332012-6	55	10	00	02	-048	02
6332002-5	55	10	00	01	-092	01	6332012-7	55	10	00	02	-049	02
6332003-10	55	10	00	01	-088	02	6332012-8	55	10	00	02	-050	02
6332003-11	55	10	00	01	-096	02	6332013-3	55	10	00	02	-075	02
6332003-2	55	10	00	01	-093	01	6332013-4	55	10	00	02	-076	02
6332003-3	55	10	00	01	-099	02	6332013-5	55	10	00	02	-077	02
6332003-4	55	10	00	01	-098	02	6332013-6	55	10	00	02	-078	02
6332003-8	55	10	00	01	-100	01	6332013-7	55	10	00	02	-079	02
6332003-9	55	10	00	01	-087	02	6332013-8	55	10	00	02	-080	02
6332004-3	55	10	01	01	-005	01	6332014-10	55	10	00	02	-081	02
6332004-4	55	10	01	01	-006	01	6332014-11	55	10	00	02	-082	02
6332004-5	55	10	01	01	-007	01	6332014-12	55	10	00	02	-083	02
6332004-6	55	10	01	01	-008	01	6332014-15	55	10	00	01	-009	02
6332004-7	55	10	01	01	-001	01	6332014-4	55	10	00	02	-084	02
6332004-8	55	10	01	01	-002	01	6332014-5	55	10	00	02	-085	02
6332005-10	55	10	00	02	-003	02	6332014-6	55	10	00	02	-086	02
6332005-11	55	10	00	02	-001	02	6332015-10	55	10	00	01	-110	01
6332005-4	55	10	00	02	-002	02	6332015-11	55	10	00	01	-109	01
6332005-6	55	10	00	02	-004	02	6332015-12	55	10	00	01	-113	02
6332005-7	55	10	00	02	-006	02	6332015-13	55	10	00	01	-117	02
6332005-8	55	10	00	02	-007	02	6332015-14	55	10	00	01	-118	02
6332005-9	55	10	00	02	-005	02	6332015-15	55	10	00	01	-114	02
6332006-10	55	10	00	02	-010	02	6332015-16	55	10	00	01	-119	02
6332006-3	55	10	00	02	-008	02	6332015-17	55	10	00	01	-102	01
6332006-4	55	10	00	02	-009	02	6332015-2	55	10	00	01	-101	01
6332006-6	55	10	00	02	-011	02	6332015-4	55	10	00	01	-103	01
6332006-7	55	10	00	02	-013	02	6332015-5	55	10	00	01	-105	01
6332006-8	55	10	00	02	-014	02	6332015-6	55	10	00	01	-104	01
6332006-9	55	10	00	02	-012	02	6332015-7	55	10	00	01	-106	01
6332007-10	55	10	00	02	-019	02	6332015-8	55	10	00	01	-107	02
6332007-3	55	10	00	02	-015	02	6332015-9	55	10	00	01	-108	02
6332007-4	55	10	00	02	-016	02	6332016-11	55	10	00	02	-160	01
6332007-5	55	10	00	02	-017	01	6332016-3	55	10	00	02	-158	01
6332007-6	55	10	00	02	-018	01	6332016-4	55	10	00	02	-159	01
6332007-7	55	10	00	02	-020	02	6332017-1	55	10	00	01	-010	01
6332007-8	55	10	00	02	-021	02	6332017-2	55	10	00	01	-011	01
6332007-9	55	10	00	02	-022	02	6332018-1	55	10	00	01	-017	01
6332008-3	55	10	00	02	-023	01	6332018-2	55	10	00	01	-018	01
6332008-4	55	10	00	02	-024	01	6332019-10	55	10	00	01	-085	02
6332008-5	55	10	00	02	-025	02	6332019-2	55	10	00	01	-026	02
6332009-3	55	10	00	02	-026	02	6332019-3	55	10	00	01	-024	02
6332009-4	55	10	00	02	-027	02	6332019-6	55	10	00	01	-078	02
6332009-5	55	10	00	02	-028	02	6332019-7	55	10	00	01	-077	02
6332009-6	55	10	00	02	-029	02	6332019-8	55	10	00	01	-079	02
6332009-7	55	10	00	02	-030	02	6332019-9	55	10	00	01	-086	02
6332009-8	55	10	00	02	-031	02	6333000-10	55	40	00	01	-046	01
6332010-3	55	10	00	02	-032	02	6333001-12	55	40	00	01	-018	01
6332010-4	55	10	00	02	-033	02	6333001-13	55	40	00	01	-023	01
6332010-5	55	10	00	02	-034	02	6333001-15	55	40	00	01	-022	01
6332010-6	55	10	00	02	-035	02	6333001-3	55	40	00	01	-019	01
6332010-7	55	10	00	02	-036	02	6333001-6	55	40	00	01	-020	01
6332010-8	55	10	00	02	-038	02	6333001-8	55	40	00	01	-017	01
6332010-9	55	10	00	02	-037	02	6333002-10	55	40	00	01	-025	01
6332011-3	55	10	00	02	-039	02	6333002-11	55	40	00	01	-026	01
6332011-4	55	10	00	02	-040	02	6333002-14	55	40	00	01	-024	NP
6332011-5	55	10	00	02	-041	02	6333002-16	55	40	00	01	-024A	01
6332011-6	55	10	00	02	-042	02	6333003-3	55	40	00	01	-039	01
6332011-7	55	10	00	02	-043	02	6333003-4	55	40	00	01	-042	01
6332011-8	55	10	00	02	-044	02	6333004-4	55	40	00	01	-173	01
6332012-3	55	10	00	02	-045	02	6333005-2	55	40	00	01	-170	01
6332012-4	55	10	00	02	-046	02	6333005-3	55	40	00	01	-171	01
6332012-5	55	10	00	02	-047	02	6333006-3	55	40	00	01	-169	01

CESSNA®  
**MODEL 525 (SERIALS -0685 AND -0800 AND ON)**  
 ILLUSTRATED PARTS CATALOG

PART NUMBER	CH SEC SUBJ FIG	ITEM	REQ	PART NUMBER	CH SEC SUBJ FIG	ITEM	REQ
6333006-5	55-40-00-01	-168	01	6334000-22	55-20-00-01	-005	NP
6333007-10	55-40-00-01	-096	01	6334000-23	55-20-00-01	-004A	01
6333007-11	55-40-00-01	-036	01	6334000-24	55-20-00-01	-005A	01
6333007-11	55-40-00-01	-076	02	6334000-3	55-20-00-02	-003	01
6333007-12	55-40-00-01	-037	01	6334000-4	55-20-00-02	-004	01
6333007-12	55-40-00-01	-079	01	6334000-5	55-20-00-02	-002	02
6333007-13	55-40-00-01	-092	01	6334000-7	55-20-00-01	-111	02
6333007-15	55-40-00-01	-082	01	6334000-8	55-20-00-01	-113	01
6333007-16	55-40-00-01	-083	01	6334000-9	55-20-00-01	-114	01
6333007-18	55-40-00-01	-088	01	6334001-15	55-20-00-01	-023	01
6333007-19	55-40-00-01	-043	02	6334001-16	55-20-00-01	-021	01
6333007-20	55-40-00-01	-044	01	6334001-5	55-20-00-01	-011	01
6333007-23	55-40-00-01	-089	01	6334001-6	55-20-00-01	-012	01
6333007-24	55-40-00-01	-090	01	6334001-7	55-20-00-01	-016	01
6333007-27	55-40-00-01	-075	01	6334001-8	55-20-00-01	-017	01
6333007-28	55-40-00-01	-091	01	6334002-10	55-20-00-01	-051	NP
6333007-3	55-40-00-01	-077	01	6334002-21	55-20-00-01	-050A	01
6333007-4	55-40-00-01	-078	01	6334002-22	55-20-00-01	-051A	01
6333007-5	55-40-00-01	-080	01	6334002-23	55-20-00-01	-053A	01
6333007-6	55-40-00-01	-081	01	6334002-8	55-20-00-01	-053	NP
6333007-7	55-40-00-01	-084	01	6334002-9	55-20-00-01	-050	NP
6333007-8	55-40-00-01	-085	01	6334003-3	55-20-00-01	-077	01
6333007-9	55-40-00-01	-086	01	6334003-4	55-20-00-01	-076	01
6333008-4	55-40-00-01	-172	01	6334005-3	55-20-00-01	-028	01
6333009-3	55-40-00-01	-166	01	6334005-4	55-20-00-01	-026	01
6333009-5	55-40-00-01	-165	01	6334005-6	55-20-00-01	-033	01
6333010-3	55-40-00-01	-164	01	6334006-10	55-20-00-01	-022	01
6333010-5	55-40-00-01	-163	01	6334006-3	55-20-00-01	-024	01
6333011-3	55-40-00-01	-162	01	6334006-4	55-20-00-01	-025	01
6333011-5	55-40-00-01	-161	01	6334006-7	55-20-00-01	-150	01
6333012-3	55-40-00-01	-160	01	6334006-8	55-20-00-01	-151	01
6333012-5	55-40-00-01	-159	01	6334007-10	55-20-00-01	-176	01
6333013-3	55-40-00-01	-158	01	6334007-11	55-20-00-01	-179	01
6333013-5	55-40-00-01	-157	01	6334007-12	55-20-00-01	-180	01
6333014-3	55-40-00-01	-155	01	6334007-13	55-20-00-01	-173	01
6333014-5	55-40-00-01	-154	01	6334007-14	55-20-00-01	-174	01
6333016-3	55-40-00-01	-152	01	6334007-15	55-20-00-01	-171	01
6333016-4	55-40-00-01	-153	01	6334007-16	55-20-00-01	-172	01
6333016-6	55-40-00-01	-151	01	6334007-17	55-20-00-01	-162	01
6333019-2	55-40-00-01	-101	01	6334007-18	55-20-00-01	-161	01
6333019-3	55-40-00-01	-100	01	6334007-19	55-20-00-01	-169	01
6333019-4	55-40-00-01	-102	01	6334007-20	55-20-00-01	-170	01
6333120-14	55-40-00-01	-104	01	6334007-21	55-20-00-01	-167	01
6333120-15	55-40-00-01	-103	01	6334007-22	55-20-00-01	-168	01
6333120-4	55-40-00-01	-109	01	6334007-23	55-20-00-01	-165	01
6333120-5	55-40-00-01	-110	01	6334007-24	55-20-00-01	-166	01
6333120-6	55-40-00-01	-111	01	6334007-3	55-20-00-01	-152	01
6333120-7	55-40-00-01	-112	01	6334007-4	55-20-00-01	-153	01
6333120-8	55-40-00-01	-113	01	6334007-5	55-20-00-01	-163	01
6333120-9	55-40-00-01	-028	AR	6334007-6	55-20-00-01	-164	01
6333300-6	55-40-00-01	-010	NP	6334007-7	55-20-00-01	-177	01
6333300-7	55-40-00-01	-010A	01	6334007-8	55-20-00-01	-178	01
6333310-2	55-40-00-01	-040	01	6334007-9	55-20-00-01	-175	01
6333310-3	55-40-00-01	-038	01	6334008-3	55-20-00-01	-078	01
6333315-2	55-40-00-01	-150	01	6334008-4	55-20-00-01	-079	01
6333320-4	55-40-00-01	-156	01	6334009-3	55-20-00-01	-080	01
6333325-1	55-40-00-01	-047	01	6334009-4	55-20-00-01	-081	01
6333325-2	55-40-00-01	-048	01	6334010-3	55-20-00-01	-082	01
6333325-4	55-40-00-01	-050	01	6334010-4	55-20-00-01	-084	01
6333325-5	55-40-00-01	-049	01	6334010-5	55-20-00-01	-083	01
6334000-10	55-20-00-01	-075	04	6334011-3	55-20-00-01	-085	01
6334000-21	55-20-00-01	-004	NP	6334011-4	55-20-00-01	-087	01

CESSNA®  
**MODEL 525 (SERIALS -0685 AND -0800 AND ON)**  
 ILLUSTRATED PARTS CATALOG

PART NUMBER	CH SEC SUBJ FIG	ITEM	REQ	PART NUMBER	CH SEC SUBJ FIG	ITEM	REQ
6334011-5	55-20-00-01	-086	01	6341003-49	32-10-00-01	-001G	01
6334012-3	55-20-00-01	-088	01	6341003-50	32-10-00-01	-002G	01
6334012-4	55-20-00-01	-090	01	6341004-3	32-30-00-02	-104	01
6334012-5	55-20-00-01	-089	01	6341004-4	32-30-00-02	-105	01
6334013-3	55-20-00-01	-091	01	6341006-16	32-30-01-01	-012	01
6334013-4	55-20-00-01	-092	01	6341014-1	32-30-01-01	-001	02
6334013-5	55-20-00-01	-094	01	6341014-2	32-30-01-01	-014	01
6334014-3	55-20-00-01	-095	01	6341014-3	32-30-01-01	-008	01
6334014-4	55-20-00-01	-096	01	6341015-1	32-30-00-01	-003	01
6334014-5	55-20-00-01	-097	01	6341015-2	32-30-00-01	-014	01
6334015-3	55-20-00-01	-098	01	6341015-3	32-30-00-01	-021	01
6334015-4	55-20-00-01	-099	01	6341100-4	32-40-00-01	-001	02
6334015-5	55-20-00-01	-100	01	6341100-5	32-40-00-01	-001A	02
6334016-3	55-20-00-01	-101	01	6341112-2	32-10-00-01	-003	02
6334016-4	55-20-00-01	-102	01	6342000-42	32-20-00-01	-001	NP
6334016-5	55-20-00-01	-103	01	6342000-46	32-20-00-01	-001A	01
6334017-4	55-20-00-01	-105	01	6342008-1	32-30-01-02	-023	NP
6334017-5	55-20-00-01	-106	01	6342008-9	32-30-01-02	-023A	01
6334017-6	55-20-00-01	-104	01	6342110-1	32-40-00-02	-001	01
6334018-3	55-20-00-01	-107	01	6342110-2	32-40-00-02	-001A	01
6334018-5	55-20-00-01	-109	01	6342110-3	32-40-00-02	-001B	01
6334018-6	55-20-00-01	-110	01	6347320-89	32-41-00-05	-099A	01
6334019-12	55-20-00-01	-043	02	6347320-90	32-41-00-05	-100A	01
6334019-13	55-20-00-01	-034	01	6350500-3	54-10-00-01	-038A	02
6334019-14	55-20-00-01	-035	01	6350500-3	71-00-00-01	-018	03
6334019-17	55-20-00-01	-044	01	6351001-1	54-10-00-01	-024	01
6334019-19	55-20-00-01	-042	01	6351001-2	54-10-00-01	-025	01
6334019-21	55-20-00-01	-037	01	6351001-3	54-10-00-01	-026	01
6334019-22	55-20-00-01	-038	01	6351001-4	54-10-00-01	-027	01
6334019-5	55-20-00-01	-046	01	6351001-5	54-10-00-01	-006	01
6334019-6	55-20-00-01	-047	01	6351001-6	54-10-00-01	-007	01
6334019-7	55-20-00-01	-041	01	6352026-10	71-10-00-01	-025	01
6337012-25	29-10-00-01	-157	02	6352026-11	71-10-00-01	-001A	01
6337012-27	29-10-00-01	-128	05	6352026-12	71-10-00-01	-002A	01
6337012-45	29-10-00-01	-152	01	6352026-13	71-10-00-01	-024A	01
6337301-24	27-50-01-01	-008	01	6352026-14	71-10-00-01	-025A	01
6337340-31	29-10-00-01	-092	02	6352026-5	71-10-00-01	-001	01
6337341-31	29-10-00-01	-106	01	6352026-6	71-10-00-01	-002	01
6337341-33	29-10-00-01	-109	01	6352026-9	71-10-00-01	-024	01
6337341-34	29-10-00-01	-108	01	6352027-10	71-10-00-01	-027	01
6337341-35	29-10-00-01	-107	01	6352027-5	71-10-00-01	-028	01
6340002-10	11-N-27-02	-075	02	6352027-6	71-10-00-01	-029	01
6340002-35	11-N-27-01	-002	01	6352027-7	71-10-00-01	-003	01
6340002-37	11-N-27-01	-076	01	6352027-8	71-10-00-01	-004	01
6340002-38	11-N-27-02	-076	02	6352027-9	71-10-00-01	-026	01
6340002-41	11-N-27-02	-077	02	6352028-1	71-10-00-01	-009	01
6340004-6	11-N-27-01	-003	02	6352028-10	71-10-00-01	-012	01
6340004-6	11-N-27-02	-003	04	6352028-11	71-10-00-01	-030	01
6341003-27	32-10-00-01	-001	NP	6352028-12	71-10-00-01	-031	01
6341003-28	32-10-00-01	-002	NP	6352028-13	71-10-00-01	-049	02
6341003-31	32-10-00-01	-001D	NP	6352028-15	71-10-00-01	-009A	01
6341003-32	32-10-00-01	-002D	NP	6352028-16	71-10-00-01	-010A	01
6341003-35	32-10-00-01	-001A	NP	6352028-17	71-10-00-01	-035A	01
6341003-36	32-10-00-01	-002A	NP	6352028-18	71-10-00-01	-036A	01
6341003-37	32-10-00-01	-001E	NP	6352028-2	71-10-00-01	-010	01
6341003-38	32-10-00-01	-002E	NP	6352028-3	71-10-00-01	-035	01
6341003-43	32-10-00-01	-001B	NP	6352028-4	71-10-00-01	-036	01
6341003-44	32-10-00-01	-002B	NP	6352028-9	71-10-00-01	-011	01
6341003-45	32-10-00-01	-001F	NP	6352125-3	71-60-00-01	-001	02
6341003-46	32-10-00-01	-002F	NP	6352126-10	71-60-00-01	-015	01
6341003-47	32-10-00-01	-001C	01	6352126-12	71-60-00-01	-019	01
6341003-48	32-10-00-01	-002C	01	6352126-13	71-60-00-01	-018	01

CESSNA®  
**MODEL 525 (SERIALS -0685 AND -0800 AND ON)**  
 ILLUSTRATED PARTS CATALOG

PART NUMBER	CH	SEC	SUBJ	FIG	ITEM	REQ	PART NUMBER	CH	SEC	SUBJ	FIG	ITEM	REQ
6352126-7	71	-60	-00	-01	-020	01	6352325-31	71	-10	-00	-01	-165	01
6352126-8	71	-60	-00	-01	-021	01	6352325-32	71	-10	-00	-01	-166	01
6352127-1	71	-60	-00	-01	-006	01	6352325-33	71	-10	-00	-01	-167	01
6352129-11	71	-60	-00	-01	-009	01	6352325-34	71	-10	-00	-01	-168	01
6352130-11	71	-60	-00	-01	-034	01	6352326-13	71	-10	-00	-01	-153	01
6352130-20	71	-60	-00	-01	-014	01	6352326-14	71	-10	-00	-01	-154	01
6352130-24	71	-60	-00	-01	-022	01	6352326-15	71	-10	-00	-01	-155	01
6352130-25	71	-60	-00	-01	-026	01	6352326-16	71	-10	-00	-01	-156	01
6352130-26	71	-60	-00	-01	-023	01	6352326-17	71	-10	-00	-01	-157	01
6352130-27	71	-60	-00	-01	-027	01	6352326-18	71	-10	-00	-01	-158	01
6352130-32	71	-60	-00	-01	-075	01	6352375-10	78	-10	-00	-01	-018	02
6352130-37	71	-60	-00	-01	-011	01	6352375-11	78	-10	-00	-01	-009	01
6352130-38	71	-60	-00	-01	-078	01	6352375-12	78	-10	-00	-01	-010	01
6352130-39	71	-60	-00	-01	-081	01	6352375-13	78	-10	-00	-01	-014	01
6352130-43	71	-60	-00	-01	-007	01	6352375-14	78	-10	-00	-01	-015	01
6352130-44	71	-60	-00	-01	-013	02	6352375-17	78	-10	-00	-01	-019	01
6352130-45	71	-60	-00	-01	-008	01	6352375-18	78	-10	-00	-01	-020	01
6352130-48	71	-60	-00	-01	-035	01	6352375-21	78	-10	-00	-01	-001	01
6352130-49	71	-60	-00	-01	-036	01	6352375-22	78	-10	-00	-01	-002	01
6352130-52	71	-60	-00	-01	-030	01	6352375-3	78	-10	-00	-01	-007	02
6352130-53	71	-60	-00	-01	-031	01	6352375-4	78	-10	-00	-01	-008	02
6352130-7	71	-60	-00	-01	-033	01	6352375-5	78	-10	-00	-01	-012	01
6352130-9	71	-60	-00	-01	-012	01	6352375-6	78	-10	-00	-01	-013	01
6352131-2	71	-60	-00	-01	-010	01	6352375-9	78	-10	-00	-01	-017	02
6352200-21	71	-10	-00	-01	-016	01	6352376-1	78	-10	-00	-01	-006	01
6352200-22	71	-10	-00	-01	-017	01	6352700-17	71	-10	-00	-01	-015	01
6352200-25	71	-10	-00	-01	-020	01	6352700-31	71	-10	-00	-01	-033	01
6352200-26	71	-10	-00	-01	-021	01	6352728-3	71	-10	-00	-01	-032	01
6352200-27	71	-10	-00	-01	-022	01	6354072-15	36	-10	-00	-01	-010	01
6352200-28	71	-10	-00	-01	-014	01	6354072-16	36	-10	-00	-01	-011	01
6352200-30	71	-10	-00	-01	-038	01	6354072-20	30	-20	-00	-01	-017	02
6352200-45	71	-10	-00	-01	-043	01	6354100-12	54	-10	-00	-01	-019	02
6352200-46	71	-10	-00	-01	-042	01	6354100-13	54	-10	-00	-01	-014	02
6352200-47	71	-10	-00	-01	-045	01	6354100-7	54	-10	-00	-01	-001	04
6352200-48	71	-10	-00	-01	-044	01	6354100-8	54	-10	-00	-01	-032	02
6352226-13	71	-10	-00	-01	-081	01	6354100-9	54	-10	-00	-01	-033	02
6352226-14	71	-10	-00	-01	-082	01	6355009-43	26	-20	-00	-01	-011	01
6352226-15	71	-10	-00	-01	-083	01	6355009-44	26	-20	-00	-01	-012	01
6352226-16	71	-10	-00	-01	-084	01	6355015-2	26	-20	-00	-01	-005	01
6352226-17	71	-10	-00	-01	-085	01	6355015-4	26	-20	-00	-01	-008	01
6352226-18	71	-10	-00	-01	-086	01	6355015-5	26	-20	-00	-01	-007	01
6352226-19	71	-10	-00	-01	-077	01	6355015-7	26	-20	-00	-01	-014	01
6352226-20	71	-10	-00	-01	-078A	01	6355015-8	26	-20	-00	-01	-008A	01
6352226-21	71	-10	-00	-01	-075	01	6355015-9	26	-20	-00	-01	-007A	01
6352226-22	71	-10	-00	-01	-076	01	6355028-3	79	-30	-00	-01	-008	02
6352226-23	71	-10	-00	-01	-089	01	6355029-12	80	-10	-00	-01	-005A	02
6352226-24	71	-10	-00	-01	-090	01	6355029-13	80	-10	-00	-01	-007	01
6352226-25	71	-10	-00	-01	-087	01	6355029-16	80	-10	-00	-01	-006	01
6352226-26	71	-10	-00	-01	-088	01	6355502-3	71	-60	-00	-01	-032	01
6352325-15	71	-10	-00	-01	-163	02	6355505-3	30	-20	-00	-01	-012	01
6352325-19	71	-10	-00	-01	-150A	01	6355505-39	30	-20	-00	-01	-005	02
6352325-20	71	-10	-00	-01	-151A	01	6355505-4	30	-20	-00	-01	-013	01
6352325-21	71	-10	-00	-01	-176	01	6355510-5	30	-20	-00	-01	-014	02
6352325-22	71	-10	-00	-01	-177	01	6355510-6	30	-20	-00	-01	-007	01
6352325-23	71	-10	-00	-01	-174	01	6355510-7	30	-20	-00	-01	-006	01
6352325-24	71	-10	-00	-01	-175	01	6355530-1	36	-10	-00	-01	-003	01
6352325-25	71	-10	-00	-01	-178	01	6355530-2	36	-10	-00	-01	-004	01
6352325-26	71	-10	-00	-01	-179	01	6355530-26	36	-10	-00	-01	-005	04
6352325-27	71	-10	-00	-01	-159	01	6355531-8	73	-10	-00	-01	-026	02
6352325-28	71	-10	-00	-01	-160	01	6355533-1	36	-10	-00	-01	-054	02
6352325-29	71	-10	-00	-01	-161	01	6355534-16	71	-70	-00	-01	-004	02
6352325-30	71	-10	-00	-01	-162	01	6355534-17	71	-70	-00	-01	-005	02



CESSNA®  
**MODEL 525 (SERIALS -0685 AND -0800 AND ON)**  
 ILLUSTRATED PARTS CATALOG

PART NUMBER	CH SEC SUBJ FIG	ITEM	REQ	PART NUMBER	CH SEC SUBJ FIG	ITEM	REQ
6355534-18	71-70-00-01	-006	02	6360111-24	27-10-00-01	-038	01
6355534-19	71-70-00-01	-001	02	6360115-1	27-10-01-01	-001	01
6356025-10	29-10-00-01	-014	01	6360115-10	27-10-01-01	-025	AR
6356025-11	29-10-00-01	-013	01	6360115-11	27-10-01-01	-026	AR
6356025-12	29-10-00-01	-012	01	6360115-2	27-10-01-01	-002	01
6356025-13	29-10-00-01	-011	01	6360115-3	27-10-01-01	-012	01
6356025-16	29-10-00-01	-014A	01	6360115-4	27-10-01-01	-013	01
6356025-17	29-10-00-01	-013A	01	6360115-5	27-10-01-01	-021	02
6356025-19	29-10-00-01	-011A	01	6360115-6	27-10-01-01	-021A	AR
6356025-8	29-10-00-01	-005	01	6360115-7	27-10-01-01	-022	AR
6356026-2	73-10-00-01	-008	01	6360115-8	27-10-01-01	-023	AR
6356026-5	73-10-00-01	-019	01	6360115-9	27-10-01-01	-024	AR
6357001-23	24-30-01-01	-078	01	6360116-1	27-30-01-01	-001	01
6357001-23	32-41-00-02	-026	01	6360116-2	27-30-01-01	-007	AR
6357001-23	32-41-00-05	-077	01	6360116-3	27-30-01-01	-008	01
6358005-6	71-50-00-01	-022	01	6360116-4	27-30-01-01	-009	01
6358005-6	71-50-00-01	-095	01	6360305-15	27-20-00-02	-044	01
6360001-10	27-30-00-01	-003	01	6360305-16	27-20-00-02	-043	01
6360001-102	27-10-02-01	-018	01	6360305-17	27-20-00-02	-045	01
6360001-103	27-10-02-01	-017	01	6360305-18	27-20-00-02	-077	01
6360001-104	27-20-02-01	-005	01	6360305-2	27-20-00-02	-083	01
6360001-105	27-20-02-01	-004	01	6360305-3	27-20-00-02	-091	01
6360001-107	27-30-02-01	-017	01	6360305-4	27-20-00-02	-093	01
6360001-11	27-30-00-01	-075	01	6360305-5	27-20-00-02	-094	01
6360001-110	27-10-00-01	-076	01	6360305-6	27-20-00-02	-095	01
6360001-12	27-30-00-01	-076	01	6360305-8	27-20-00-02	-076	01
6360001-13	27-20-00-01	-005	01	6360305-9	27-20-00-02	-075	01
6360001-14	27-20-00-01	-006	01	6360310-13	27-20-01-01	-081	01
6360001-2	27-10-00-01	-028	01	6360310-17	27-20-01-01	-090	02
6360001-5	27-10-00-01	-077	02	6360310-2	27-20-00-02	-008	01
6360001-54	27-20-00-01	-016	01	6360315-21	27-20-00-02	-168	01
6360001-55	27-20-00-01	-015	01	6360315-23	27-20-00-02	-096	01
6360001-64	27-20-02-01	-092	01	6360315-26	27-30-00-01	-080	01
6360001-65	27-20-02-01	-091	01	6360315-27	27-20-00-02	-150	01
6360001-68	27-10-02-01	-027	01	6360315-29	27-20-00-02	-164	01
6360001-69	27-10-02-01	-028	01	6360315-32	27-20-00-02	-157	01
6360001-70	27-10-00-01	-101	02	6360315-33	27-20-00-02	-165	01
6360001-71	27-10-00-01	-100	02	6360315-35	27-30-00-01	-092	01
6360001-86	27-30-01-01	-028	01	6360315-8	27-20-00-02	-166	01
6360001-87	27-30-01-01	-027	01	6360315-9	27-20-00-02	-167	01
6360001-89	27-30-01-01	-029	01	6360500-3	27-10-00-01	-018	01
6360001-9	27-30-00-01	-002	01	6360518-10	32-50-00-01	-079A	01
6360001-97	27-10-00-01	-027	01	6360518-2	32-50-00-01	-085	01
6360001-98	27-30-01-01	-030	01	6360518-3	32-50-00-01	-088	01
6360001-99	27-10-00-01	-025	01	6360518-4	32-50-00-01	-089	01
6360005-3	27-20-01-01	-150	01	6360518-7	32-50-00-01	-012	01
6360005-4	27-20-01-01	-151	01	6360518-8	32-50-00-01	-001	01
6360106-11	27-30-01-01	-035	02	6360518-9	32-50-00-01	-079	NP
6360106-12	27-30-01-01	-036	02	6360837-10	53-20-04-01	-083	01
6360106-4	27-30-01-01	-081	01	6360837-17	53-20-04-01	-001	01
6360110-11	22-10-00-01	-077	02	6360837-18	53-20-04-01	-002	01
6360111-13	27-20-02-01	-019	02	6360837-19	53-20-04-01	-005	01
6360111-14	27-20-02-01	-020	02	6360837-2	53-20-04-01	-082	01
6360111-15	27-10-00-01	-034	01	6360837-20	53-20-04-01	-006	01
6360111-16	27-10-00-01	-037	01	6360837-21	53-20-04-01	-097	01
6360111-17	27-10-02-01	-012	02	6360837-22	53-20-04-01	-080	01
6360111-18	27-10-02-01	-013	02	6360837-23	53-20-04-01	-081	01
6360111-19	27-10-00-01	-029	01	6360837-24	53-20-04-01	-100	01
6360111-20	27-10-00-01	-031	01	6360837-26	53-20-04-01	-102	01
6360111-21	27-10-00-01	-030	01	6360837-29	53-20-04-01	-125	01
6360111-22	27-10-00-01	-032	01	6360837-3	53-20-04-01	-084	01
6360111-23	27-10-00-01	-035	01	6360837-30	53-20-04-01	-126	01

CESSNA®  
**MODEL 525 (SERIALS -0685 AND -0800 AND ON)**  
 ILLUSTRATED PARTS CATALOG

PART NUMBER	CH	SEC	SUBJ	FIG	ITEM	REQ	PART NUMBER	CH	SEC	SUBJ	FIG	ITEM	REQ
6360837-4	53	20	04	01	-094	01	6361011-12	27	30	02	01	-078	01
6360837-46	53	20	04	01	-030	01	6361011-13	22	10	00	01	-007	01
6360837-48	53	20	04	01	-008	01	6361011-14	22	10	00	01	-008	01
6360837-49	53	20	04	01	-009	01	6361011-15	27	30	02	01	-042	01
6360837-5	53	20	04	01	-090	01	6361011-16	53	20	04	01	-027	01
6360837-50	53	20	04	01	-010	01	6361011-18	27	30	02	01	-011	01
6360837-51	53	20	04	01	-016	01	6361011-19	53	20	04	01	-028	01
6360837-57	53	20	04	01	-021	01	6361011-2	27	30	02	01	-043	02
6360837-59	53	20	04	01	-018	01	6361011-21	27	30	02	01	-018	01
6360837-6	53	20	04	01	-091	01	6361011-22	27	30	02	02	-026	01
6360837-60	53	20	04	01	-019	01	6361011-23	27	30	02	02	-022	01
6360837-7	53	20	04	01	-092	01	6361011-26	53	20	04	01	-025	01
6360837-8	53	20	04	01	-093	01	6361011-3	27	30	02	01	-041	01
6360837-9	53	20	04	01	-095	01	6361011-33	27	20	00	01	-015B	01
6360838-1	53	20	04	01	-075	NP	6361011-34	27	30	00	01	-076B	01
6360838-10	53	20	04	01	-122	01	6361011-35	27	20	00	01	-015A	01
6360838-11	53	20	04	01	-120	01	6361011-36	27	30	00	01	-076A	01
6360838-13	53	20	04	01	-115	01	6361011-37	22	10	00	01	-029B	01
6360838-16	53	20	04	01	-108	01	6361011-37	22	10	00	01	-088B	01
6360838-2	53	20	04	01	-096	01	6361011-38	22	10	00	01	-030B	01
6360838-21	53	20	04	01	-124	01	6361011-38	22	10	00	01	-089B	01
6360838-22	53	20	04	01	-127	02	6361011-39	27	30	02	01	-079A	02
6360838-25	53	20	04	01	-075A	01	6361011-4	22	10	00	01	-016	01
6360838-26	53	20	04	01	-082A	01	6361011-40	27	30	02	01	-080A	02
6360838-27	53	20	04	01	-110A	01	6361011-6	22	10	00	01	-027	01
6360838-28	53	20	04	01	-111A	01	6361011-7	22	10	00	01	-026	01
6360838-3	53	20	04	01	-098	01	6361011-7	22	10	00	01	-084	01
6360838-31	53	20	04	01	-083A	01	6361011-8	22	10	00	01	-028	01
6360838-4	53	20	04	01	-099	01	6361011-9	22	10	00	01	-086	01
6360838-5	53	20	04	01	-110	01	6361013-16	22	10	00	01	-086A	01
6360838-6	53	20	04	01	-111	01	6361013-17	22	10	00	01	-026A	01
6360838-9	53	20	04	01	-123	01	6361013-17	22	10	00	01	-084A	01
6360847-13	27	30	02	02	-047	01	6361103-19	27	30	00	01	-108	01
6360847-2	27	30	02	01	-006	01	6361103-20	27	30	00	01	-109	01
6360847-2	76	10	01	03	-029	01	6361103-21	27	30	00	01	-110	01
6360847-7	27	30	02	01	-008	01	6361103-22	27	30	00	01	-111	01
6361005-1	27	20	01	01	-013	02	6361105-10	27	30	00	02	-017	01
6361005-10	27	20	01	01	-010A	01	6361105-11	27	30	00	02	-016	01
6361005-11	27	20	01	01	-004A	02	6361105-12	27	30	00	02	-015	01
6361005-12	27	20	01	01	-005A	02	6361105-13	27	30	00	02	-013	01
6361005-2	27	20	01	01	-041	01	6361105-14	27	30	00	02	-014	01
6361005-8	27	20	01	01	-075	01	6361105-2	27	30	00	02	-030	01
6361005-9	27	20	01	01	-009A	01	6361105-3	27	30	00	02	-024	01
6361006-3	27	30	02	01	-088	01	6361105-7	27	30	00	02	-031	02
6361006-7	27	30	02	01	-084	01	6361110-31	27	10	00	01	-046	01
6361006-8	27	30	02	01	-085	01	6361110-32	27	10	00	01	-045	01
6361008-10	53	21	00	04	-014	01	6361111-44	27	10	00	01	-090	02
6361008-13	53	21	00	04	-005	01	6361111-45	27	10	00	01	-088	NP
6361008-16	27	10	00	03	-001	02	6361111-46	27	10	00	01	-089	NP
6361008-18	27	10	00	03	-007	02	6361111-49	27	10	00	01	-091	02
6361008-9	53	21	00	04	-013	01	6361111-54	27	10	00	01	-089A	01
6361009-1	27	30	02	02	-049	01	6361111-55	27	10	00	01	-088A	01
6361009-8	27	30	02	01	-002	01	6361112-1	27	10	00	01	-033	01
6361010-1	22	10	00	01	-029	02	6361112-3	27	10	00	01	-036	01
6361010-1	22	10	00	01	-088	02	6361113-35	57	60	00	01	-006	01
6361010-2	22	10	00	01	-030	02	6361113-36	57	60	00	01	-005	01
6361010-2	22	10	00	01	-089	02	6361113-37	57	60	00	01	-007	01
6361010-5	27	30	02	01	-079	02	6361113-38	57	60	00	01	-008	01
6361010-6	27	30	02	01	-080	02	6361114-1	27	30	00	02	-044	01
6361011-1	27	30	02	01	-040	01	6361114-4	27	30	00	02	-045	01
6361011-10	22	10	00	01	-085	01	6361115-3	27	30	00	02	-001	01
6361011-11	27	30	02	01	-075	01	6361116-1	27	30	01	01	-159	01

CESSNA®  
**MODEL 525 (SERIALS -0685 AND -0800 AND ON)**  
 ILLUSTRATED PARTS CATALOG

PART NUMBER	CH SEC SUBJ FIG	ITEM	REQ	PART NUMBER	CH SEC SUBJ FIG	ITEM	REQ
6361117-7	27-30-01-01	-003	01	6361510-33	22-10-00-01	-013	01
6361118-1	27-30-01-01	-150	01	6361522-4	27-10-00-03	-021	02
6361118-2	27-30-01-01	-158	01	6361522-6	27-10-00-03	-011	01
6361119-1	27-30-00-02	-032	02	6361524-27	27-10-00-03	-037	01
6361119-2	27-30-00-02	-042	01	6361524-28	27-10-00-03	-039	01
6361121-10	27-30-01-01	-179	01	6361524-29	27-10-00-03	-038	01
6361121-11	27-30-01-01	-180	01	6361524-30	27-10-00-03	-040	01
6361121-13	27-30-01-01	-171	02	6361524-31	27-10-00-03	-050	01
6361121-21	27-30-01-01	-172	01	6361524-32	27-10-00-03	-051	01
6361121-22	27-30-01-01	-192	01	6361524-33	27-10-00-03	-036	02
6361121-23	27-30-01-01	-164	01	6361524-38	27-10-00-04	-002	01
6361122-10	27-30-00-01	-019	01	6361524-39	27-10-00-04	-001	01
6361122-6	27-30-00-01	-095	01	6361524-7	27-10-00-03	-027	01
6361122-7	27-30-00-01	-100	01	6361524-8	27-10-00-03	-028	01
6361122-8	27-20-02-01	-095	02	6361525-13	27-10-00-04	-023	01
6361122-8	27-30-00-01	-097	02	6361525-14	27-10-00-04	-024	01
6361123-2	27-20-00-01	-019	02	6361526-11	27-10-00-01	-094	02
6361203-19	27-30-02-02	-039	01	6361526-14	27-10-00-01	-086A	01
6361203-25	27-30-02-01	-171	02	6361526-15	27-10-00-01	-084A	01
6361203-27	27-30-02-01	-172	02	6361526-16	27-10-00-01	-087A	01
6361212-11	27-30-02-01	-157	02	6361526-17	27-10-00-01	-085A	01
6361212-12	27-30-02-01	-158	02	6361526-3	27-10-00-01	-084	NP
6361212-13	27-30-02-01	-167	01	6361526-4	27-10-00-01	-086	NP
6361213-17	27-20-02-01	-027	01	6361526-5	27-10-00-01	-085	NP
6361213-18	27-30-02-02	-075	01	6361526-6	27-10-00-01	-087	NP
6361213-22	27-30-02-02	-091A	01	6361530-13	27-10-00-02	-016	01
6361213-28	27-30-02-02	-082	01	6361530-16	27-10-00-02	-019	01
6361213-31	27-20-02-01	-075	01	6361530-3	27-10-00-02	-020	02
6361213-32	27-20-02-01	-076	01	6361530-5	27-10-00-02	-018	01
6361213-33	27-30-02-02	-098	01	6361531-10	27-10-00-02	-002	01
6361213-37	27-30-02-02	-087	01	6361531-3	27-10-00-02	-005	01
6361213-7	27-20-02-01	-093	02	6361531-4	27-10-00-02	-006	01
6361213-8	27-20-02-01	-096	01	6361531-7	27-10-00-02	-010	01
6361215-10	27-30-02-01	-154	01	6361531-8	27-10-00-02	-011	01
6361215-9	27-30-02-01	-153	01	6361531-9	27-10-00-02	-001	01
6361220-14	27-30-02-01	-089	01	6361532-27	27-10-00-04	-027	01
6361220-15	27-30-02-01	-090	01	6361532-28	27-10-00-04	-028	01
6361220-3	27-30-02-01	-044	01	6361532-29	27-10-00-04	-029	01
6361220-6	27-30-02-01	-036	04	6361532-30	27-10-00-04	-030	01
6361221-2	27-30-02-01	-039	02	6361533-3	27-10-00-04	-011	01
6361221-3	53-40-00-03	-075	02	6361533-4	27-10-00-04	-012	01
6361221-4	53-40-00-03	-076	02	6361533-5	27-10-00-04	-014	01
6361303-18	55-30-01-01	-096	01	6361533-6	27-10-00-04	-015	01
6361303-5	55-30-01-01	-089	01	6361533-7	27-10-00-04	-013	02
6361303-6	55-30-01-01	-088	01	6361535-11	27-30-01-01	-023	02
6361304-5	55-40-00-01	-001	01	6361535-13	27-30-01-01	-079	04
6361304-7	55-40-00-01	-008	02	6361535-14	27-30-01-01	-075	02
6361306-2	27-20-00-02	-015	01	6361535-5	27-30-01-01	-019	01
6361306-3	27-20-00-02	-018	01	6361535-6	27-30-01-01	-020	01
6361401-3	27-20-02-01	-006	01	6361536-3	27-10-00-02	-023	02
6361411-7	27-20-02-01	-107	01	6361537-3	27-10-00-01	-107	01
6361411-8	27-20-02-01	-118	01	6361537-4	27-10-00-01	-108	01
6361411-9	27-20-02-01	-108	01	6361612-10	27-10-02-01	-040	01
6361507-3	27-10-00-01	-009	01	6361612-8	27-10-02-01	-052	01
6361507-4	27-10-00-01	-017	01	6361612-9	27-10-02-01	-039	01
6361510-13	22-10-00-01	-018	01	6361613-11	27-30-02-02	-033	02
6361510-14	22-10-00-01	-019	01	6361613-18	27-30-02-02	-034	01
6361510-15	22-10-00-01	-020	01	6361613-19	27-30-02-02	-035	01
6361510-16	22-10-00-01	-021	01	6361613-20	27-30-00-01	-027	01
6361510-20	22-10-00-01	-014	02	6361613-3	27-30-02-02	-036	01
6361510-27	22-10-00-01	-015	01	6361613-4	27-20-02-01	-012	01
6361510-29	22-10-00-01	-017	02	6361613-5	27-30-02-02	-037	01

CESSNA®  
**MODEL 525 (SERIALS -0685 AND -0800 AND ON)**  
 ILLUSTRATED PARTS CATALOG

PART NUMBER	CH	SEC	SUBJ	FIG	ITEM	REQ	PART NUMBER	CH	SEC	SUBJ	FIG	ITEM	REQ
6361613-6	27	30	02	02	-011	01	6364010-2	32	50	00	01	-162	02
6361614-10	27	10	02	03	-018	01	6365028-10	27	50	00	02	-117	01
6361614-11	27	10	02	03	-019	01	6365028-5	27	50	00	02	-115	01
6361614-12	27	10	02	03	-020	01	6365028-6	27	50	00	02	-116	01
6361614-13	27	10	02	03	-025	01	6365028-7	27	50	00	02	-104	02
6361614-17	27	10	02	03	-034	01	6365028-8	27	50	00	02	-113	01
6361614-20	27	10	02	03	-026	01	6365028-9	27	50	00	02	-114	01
6361614-23	27	10	02	03	-033	01	6365029-1	27	50	00	01	-024	01
6361614-28	27	10	02	01	-024	01	6365032-12	27	50	00	02	-032	02
6361614-30	27	10	02	03	-001	01	6365032-14	27	50	00	02	-038	01
6361614-32	27	10	02	03	-011	01	6365032-15	27	50	00	02	-027	01
6361614-36	27	10	02	03	-032	01	6365032-16	27	50	00	02	-028	01
6361614-9	27	10	02	03	-017	01	6365032-17	27	50	00	02	-029	02
6361615-6	27	10	02	01	-034	01	6365032-2	27	50	00	02	-033	02
6361700-10	27	70	00	01	-076	01	6365032-3	27	50	00	02	-039	02
6361700-19	27	70	00	01	-091	01	6365032-6	27	50	00	02	-042	02
6361700-3	27	70	00	01	-176	01	6365032-7	27	50	00	02	-034	02
6361700-33	27	70	00	01	-173	01	6365032-8	27	50	00	02	-035	02
6361700-34	27	70	00	01	-174	01	6365033-2	27	50	00	02	-017	01
6361700-35	27	70	00	01	-172	02	6365033-3	27	50	00	02	-016	02
6361700-4	27	70	00	01	-177	01	6365034-1	27	50	00	02	-002	02
6361700-40	27	70	00	01	-171	02	6365034-3	27	50	00	02	-008	01
6361700-41	27	70	00	01	-104	01	6365034-5	27	50	00	02	-012	01
6361700-44	27	70	00	01	-105	02	6365035-10	27	50	00	02	-101	01
6361700-45	27	70	00	01	-081	01	6365035-11	27	50	00	02	-102	01
6361700-48	27	70	00	01	-024	01	6365035-12	27	50	00	02	-103	01
6361700-52	27	70	00	01	-102	01	6365035-13	27	50	00	02	-076	01
6361700-9	27	70	00	01	-075	01	6365035-14	27	50	00	02	-077	02
6361703-7	27	70	00	01	-026	02	6365035-15	27	50	00	02	-081	02
6361703-8	27	70	00	01	-019	01	6365035-5	27	50	00	02	-095	04
6361705-24	27	30	01	01	-175	01	6365035-5	76	10	01	01	-103	01
6361801-44	53	20	04	01	-032	01	6365035-5	76	10	01	02	-091	02
6361801-54	53	20	04	01	-011	02	6365035-6	27	50	00	02	-096	04
6361801-55	53	20	04	01	-012	02	6365035-6	76	10	01	01	-100	01
6361803-18	27	20	02	02	-007	01	6365035-7	27	50	00	02	-097	02
6361803-22	27	20	02	02	-003	01	6365035-8	27	50	00	02	-075	01
6361803-25	27	20	02	02	-020	01	6365037-2	27	50	00	01	-014	01
6361803-28	27	20	02	02	-019	01	6365037-2	53	21	00	01	-081	01
6361803-29	27	20	02	02	-015	01	6365037-3	27	50	00	01	-015	01
6361803-3	27	20	02	02	-011	01	6365037-3	53	21	00	01	-082	01
6361803-30	27	20	02	02	-001	01	6365051-1	27	60	00	01	-019	01
6361804-29	27	10	02	02	-034	01	6365051-2	27	60	00	01	-020	01
6361804-32	27	10	02	02	-036	03	6365052-10	27	60	00	01	-002	01
6361804-33	27	10	02	02	-032	01	6365052-11	27	60	00	01	-001	01
6361804-37	27	10	02	02	-040	01	6365052-15	27	60	00	01	-003	02
6361804-38	27	10	02	02	-007	01	6365052-16	27	60	00	01	-012	01
6361816-12	27	10	02	01	-001	01	6365052-8	27	60	00	01	-010	01
6361816-2	27	10	02	02	-026	01	6365052-9	27	60	00	01	-011	01
6361817-10	27	10	02	02	-006	01	6365127-7	27	50	00	02	-024	01
6361817-21	27	10	02	02	-005	01	6365128-1	27	50	00	01	-002	01
6361817-22	27	10	02	02	-020	01	6365130-3	27	50	00	02	-021	02
6361818-3	27	10	02	02	-050	01	6365802-102	76	10	01	02	-105	01
6361818-7	27	10	02	02	-051	01	6365802-107	76	10	01	03	-013	01
6361818-8	27	10	02	02	-047	01	6365802-117	76	10	01	02	-098	01
6361819-1	27	10	02	02	-045	01	6365802-128	76	10	01	01	-009	01
6361819-2	27	10	02	02	-048	01	6365802-145	76	10	01	01	-014	01
6361819-3	27	10	02	02	-049	01	6365802-146	76	10	01	02	-076	01
6361845-12	27	10	02	02	-016	01	6365802-148	76	10	01	02	-077	NP
6361845-14	27	10	02	02	-033	01	6365802-149	76	10	01	02	-075	01
6361845-18	27	10	02	02	-024	01	6365802-154	76	10	01	01	-082	01
6361845-19	27	10	02	02	-001	01	6365802-156	76	10	01	02	-084	01
6364010-1	32	50	00	01	-150	01	6365802-157	76	10	01	02	-082	01

CESSNA®  
**MODEL 525 (SERIALS -0685 AND -0800 AND ON)**  
 ILLUSTRATED PARTS CATALOG

PART NUMBER	CH SEC SUBJ FIG	ITEM	REQ	PART NUMBER	CH SEC SUBJ FIG	ITEM	REQ
6365802-175	76-10-01-01	-099	01	6391044-9	53-21-00-05	-016	01
6365802-2	76-10-01-01	-026	01	6391045-2	53-21-00-05	-023	01
6365802-33	76-10-01-03	-003	02	6391046-10	53-21-00-05	-017	01
6365802-34	76-10-01-03	-011	01	6391046-2	53-21-00-05	-018	01
6365802-37	76-10-01-03	-010	01	6391046-7	53-21-00-05	-019	01
6365821-13	76-10-01-01	-013	01	6391046-9	53-21-00-05	-020	01
6365821-17	76-10-01-02	-026	01	6391112-1	53-21-00-04	-039	01
6365821-19	76-10-01-01	-087	01	6391112-12	53-20-00-01	-044	01
6365821-22	76-10-01-01	-025	02	6391112-13	53-20-00-01	-042	01
6365821-25	76-10-01-02	-008	01	6391112-14	53-20-00-01	-043	01
6365821-26	76-10-01-02	-009	01	6391112-2	53-21-00-04	-038	01
6365821-27	76-10-01-01	-023	02	6391112-3	53-20-00-01	-173	01
6365821-28	76-10-01-01	-024	02	6391112-4	53-20-00-01	-170	02
6365821-3	76-10-01-02	-033	01	6391112-5	53-20-00-01	-171	02
6365821-4	76-10-01-02	-034	01	6391113-3	53-11-00-01A	-080	01
6365821-7	76-10-01-02	-015	01	6391113-4	53-11-00-01A	-086	01
6365821-8	76-10-01-02	-016	01	6391120-3	53-11-00-02	-102B	01
6365840-4	76-10-01-01	-001	NP	6391120-4	53-11-00-01	-097	01
6365840-5	76-10-01-01	-001A	01	6391120-5	53-11-00-01	-100	01
6365841-1	76-10-01-01	-075	01	6391120-6	53-11-00-01	-089	01
6365841-13	76-10-01-01	-008	01	6391416-2	53-20-00-01	-054	01
6365841-14	76-10-01-01	-006	01	6391416-3	53-20-00-01	-052	02
6365841-17	76-10-01-01	-003	01	6393100-3	33-40-00-03	-012	02
6365841-18	76-10-01-01	-002	01	6393101-3	33-40-00-03	-007	01
6365841-22	76-10-01-03	-022	01	6393101-4	33-40-00-03	-008	01
6365841-25	76-10-01-02	-078	01	6393101-5	33-40-00-03	-009	01
6365841-27	76-10-01-01	-076	01	6393101-6	33-40-00-03	-010	01
6365841-29	76-10-01-02	-096	01	6396022-2	27-10-02-01	-035	01
6365841-32	76-10-01-02	-097	01	6396022-3	27-30-02-01	-150	01
6365841-35	76-10-01-03	-023	01	6396022-4	27-30-02-01	-151	01
6365841-36	76-10-01-03	-018	01	6396022-5	27-20-02-01	-105	01
6365841-38	76-10-01-02	-075A	01	6396022-8	27-10-02-01	-035A	01
6365841-39	76-10-01-02	-077A	01	6397000-24	52-10-01-02	-029	01
6365841-7	76-10-01-01	-091	01	63PT-5-40	21-30-00-01	-006	14
6365841-8	76-10-01-01	-092	01	6411BNI	25-30-00-03	-095	02
6365841-9	76-10-01-01	-086	01	65-430087	32-60-00-01	-004	01
6365842-1	76-10-01-02	-002	01	65-430087	32-60-00-01	-005	01
6365842-2	76-10-01-02	-003	01	65-430087	32-60-00-01	-006	01
6365842-3	76-10-01-02	-004	01	65-4527-2154	27-70-00-01	-033	01
6365842-6	76-10-01-02	-005	01	6505010-123	11-C-22-02	-004	01
6365842-7	76-10-01-02	-013	01	6505010-123	11-CR-22-02	-004	01
6365842-8	76-10-01-02	-014	01	6505010-123	11-D-22-02	-004	01
6378002-57	33-30-00-01	-005	01	6505010-123	11-F-22-02	-004	01
6379020-8	25-30-00-03	-121	03	6505010-123	11-G-22-02	-004	01
6379035-4	25-30-00-03	-093	01	6505010-123	11-HB-22-02	-004	01
6379035-4	25-30-00-03	-094	02	6505010-123	11-HL-22-02	-004	01
6390019-10	11-LQ-22-01	-078	01	6505010-123	11-I-22-02	-002	01
6390019-8	11-LQ-22-01	-076	01	6505010-123	11-JA-22-02	-004	01
6390019-9	11-LQ-22-01	-077	01	6505010-123	11-LX-22-02	-004	01
6390035-1	11-N-22-02	-003	01	6505010-123	11-M-22-02	-004	01
6390560-3	11-PP-25-01	-004	02	6505010-123	11-OK-22-02	-004	01
6391043-3	53-21-00-05	-021	01	6505010-123	11-OY-22-02	-004	01
6391043-3	53-21-00-05	-022	01	6505010-123	11-PP-22-01	-153	01
6391044-10	53-21-00-05	-011	01	6505010-123	11-RP-22-02	-004	01
6391044-11	53-21-00-05	-012	01	6505010-123	11-SP-22-02	-004	01
6391044-12	53-21-00-05	-028	01	6505010-123	11-T7-22-02	-004	01
6391044-14	53-21-00-05	-029	01	6505010-123	11-VH-22-02	-004	01
6391044-2	53-21-00-05	-013	01	6505010-123	11-YR-22-02	-004	01
6391044-3	53-21-00-05	-014	01	6505010-124	11-C-22-02	-003	02
6391044-4	53-21-00-05	-015	01	6505010-124	11-CR-22-02	-003	02
6391044-5	53-21-00-05	-030	01	6505010-124	11-D-22-02	-003	02
6391044-7	53-21-00-05	-031	01	6505010-124	11-F-22-02	-003	02

CESSNA®  
**MODEL 525 (SERIALS -0685 AND -0800 AND ON)**  
 ILLUSTRATED PARTS CATALOG

PART NUMBER	CH SEC SUBJ FIG	ITEM	REQ	PART NUMBER	CH SEC SUBJ FIG	ITEM	REQ
6505010-124	11-G-22-02	-003	02	6511692-9	52-10-00-02	-010	01
6505010-124	11-HB-22-02	-003	02	6511693-1	52-10-00-02	-009	01
6505010-124	11-HL-22-02	-003	02	6511693-2	52-10-00-02	-008	01
6505010-124	11-I-22-02	-001	02	6511693-3	52-10-00-02	-005	01
6505010-124	11-JA-22-02	-003	02	6511693-4	52-10-00-02	-004	01
6505010-124	11-LX-22-02	-003	02	6511693-5	52-10-00-02	-017	01
6505010-124	11-M-22-02	-003	02	6511693-6	52-10-00-02	-016	01
6505010-124	11-N-22-02	-002	02	6511693-7	52-10-00-02	-150	02
6505010-124	11-OK-22-02	-003	02	6511693-8	52-10-00-02	-007	01
6505010-124	11-OY-22-02	-003	02	6511693-9	52-10-00-02	-006	01
6505010-124	11-PP-22-01	-152	02	6511694-1	52-10-00-02	-172	01
6505010-124	11-RP-22-02	-003	02	6511694-10	52-10-00-02	-189	01
6505010-124	11-RS-22-01	-002	02	6511694-11	52-10-00-02	-180	01
6505010-124	11-SP-22-02	-003	02	6511694-12	52-10-00-02	-190	01
6505010-124	11-T7-22-02	-003	02	6511694-13	52-10-00-02	-185	01
6505010-124	11-VH-22-02	-003	02	6511694-14	52-10-00-02	-191	01
6505010-124	11-YR-22-02	-003	02	6511694-15	52-10-00-02	-186	01
6505019-5	11-PP-22-01	-003	01	6511694-16	52-10-00-02	-187	01
6508092-1	30-40-00-02	-007	NP	6511694-17	52-10-00-02	-188	01
6508092-4	30-40-00-02	-007A	01	6511694-18	52-10-00-02	-182	01
6511065-38	53-21-00-04	-004	01	6511694-19	52-10-00-02	-181	01
6511065-41	53-21-00-04	-021	01	6511694-2	52-10-00-02	-173	01
6511065-54	53-21-00-04	-006	01	6511694-20	52-10-00-02	-245	01
6511065-6	53-21-00-04	-025	01	6511694-21	52-10-00-02	-238	01
6511065-63	53-21-00-04	-003	01	6511694-22	52-10-00-02	-244	01
6511066-10	53-21-00-04	-032	01	6511694-23	52-10-00-02	-151	01
6511066-12	53-21-00-04	-020	01	6511694-24	52-10-00-02	-160	01
6511066-9	53-21-00-04	-031	01	6511694-25	52-10-00-02	-159	01
6511105-1	32-30-01-04	-105	01	6511694-26	52-10-00-02	-162	01
6511105-1	53-10-00-04	-027	01	6511694-3	52-10-00-02	-171	01
6511257-6	53-25-00-01	-006	01	6511694-4	52-10-00-02	-174	01
6511269-3	53-10-00-04	-004	01	6511694-9	52-10-00-02	-179	01
6511285-1	53-20-00-01	-027	01	6511695-200	52-10-00-01	-023A	AR
6511297-6	53-20-03-01	-247	01	6511695-204	52-10-00-01	-016A	01
6511298-1	52-60-00-01	-093	NP	6511695-3	52-10-00-01	-026	01
6511298-2	52-60-00-01	-094	NP	6511695-4	52-10-00-01	-016	NP
6511298-5	52-60-00-01	-093A	01	6511695-5	52-10-00-01	-023	01
6511298-6	52-60-00-01	-094A	01	6511696-1	52-10-00-01	-022	01
6511690-11	52-10-00-01	-001	NP	6511696-2	52-10-00-01	-021	01
6511690-15	52-10-00-01	-001A	NP	6511696-4	52-10-00-01	-028	01
6511690-16	52-10-00-01	-001B	NP	6511697-1	52-10-00-02	-002	01
6511690-17	52-10-00-01	-001C	01	6511699-1	52-10-00-02	-075	01
6511691-10	52-10-00-02	-001	01	6511699-10	52-10-00-02	-248	01
6511691-12	52-10-00-02	-001A	01	6511699-11	52-10-00-02	-247	01
6511692-10	52-10-00-02	-033	01	6511699-12	52-10-00-02	-235	01
6511692-11	52-10-00-02	-035	01	6511699-2	52-10-00-02	-076	01
6511692-12	52-10-00-02	-039	01	6511699-21	52-10-00-02	-225	01
6511692-13	52-10-00-02	-038	01	6511699-22	52-10-00-02	-183	01
6511692-14	52-10-00-02	-019	01	6511699-23	52-10-00-02	-226	01
6511692-15	52-10-00-02	-020	01	6511699-24	52-10-00-02	-184	01
6511692-16	52-10-00-02	-047	01	6511699-25	52-10-00-02	-230	01
6511692-17	52-10-00-02	-046	01	6511699-26	52-10-00-02	-250	01
6511692-18	52-10-00-02	-163	01	6511699-27	52-10-00-02	-231	01
6511692-19	52-10-00-02	-161	01	6511699-28	52-10-00-02	-241	01
6511692-2	52-10-00-02	-036	02	6511699-3	52-10-00-02	-102	01
6511692-20	52-10-00-02	-228	01	6511699-31	52-10-00-03	-079	02
6511692-21	52-10-00-02	-243	01	6511699-32	52-10-00-03	-075	02
6511692-22	52-10-00-02	-018	01	6511699-33	52-10-01-01	-185	01
6511692-24	52-10-00-02	-041	01	6511699-34	52-10-01-01	-186	NP
6511692-25	52-10-00-02	-040	01	6511699-35	52-10-01-01	-184	01
6511692-5	52-10-00-02	-042	01	6511699-36	52-10-01-01	-188	01
6511692-6	52-10-00-02	-053	01	6511699-37	52-10-01-01	-189	NP

CESSNA®  
**MODEL 525 (SERIALS -0685 AND -0800 AND ON)**  
 ILLUSTRATED PARTS CATALOG

PART NUMBER	CH SEC SUBJ FIG	ITEM	REQ	PART NUMBER	CH SEC SUBJ FIG	ITEM	REQ
6511699-38	52-10-01-01	-187	01	6513001-1	53-10-00-02	-164	01
6511699-4	52-10-00-02	-103	01	6513001-2	53-10-00-02	-165	01
6511699-41	52-10-00-02	-239	01	6513001-3	53-10-00-02	-172	01
6511699-43	52-10-00-02	-014	01	6513001-4	53-10-00-02	-173	01
6511699-44	52-10-00-02	-015	01	6513001-5	53-10-00-02	-169	01
6511699-46	52-10-00-02	-057	01	6513001-6	53-10-00-02	-170	01
6511699-5	52-10-01-01	-007	02	6513001-7	53-10-00-02	-171	01
6511699-6	52-10-00-02	-021	01	6513003-10	52-30-00-01	-085	02
6511699-7	52-10-00-02	-013	02	6513003-10	52-30-00-02	-079	01
6511699-8	52-10-00-02	-054	02	6513003-11	52-30-00-01	-087	01
6511699-9	52-10-00-02	-249	01	6513003-12	52-30-00-01	-114	02
6511700-1	52-10-00-02	-011	01	6513003-13	52-30-00-01	-113	02
6511700-10	52-10-00-02	-234	01	6513003-16	52-30-00-01	-081	02
6511700-11	52-10-00-02	-229	01	6513003-4	52-30-00-01	-088	02
6511700-12	52-10-00-02	-233	01	6513003-5	52-30-00-01	-095	02
6511700-14	56-30-00-01	-009	01	6513003-6	52-30-00-01	-101	01
6511700-15	56-30-00-01	-008	01	6513003-8	52-30-00-01	-096	02
6511700-16	52-10-00-02	-022	01	6513003-9	52-30-00-01	-106	01
6511700-17	52-10-00-02	-023	01	6513005-17	53-11-00-02	-108	01
6511700-18	52-10-00-02	-026	01	6513005-34	53-11-00-02	-052	01
6511700-2	52-10-00-02	-012	01	6513005-50	53-11-00-02	-049	01
6511700-21	52-10-00-02	-030	01	6513006-31	53-11-00-02	-109	01
6511700-22	52-10-00-02	-027	01	6513006-31	53-11-00-02A	-107	01
6511700-23	52-10-00-02	-028	01	6514006-8	32-41-00-01	-179	01
6511700-24	52-10-00-02	-029	01	6514100-24	36-10-00-03	-012	01
6511700-26	52-10-00-02	-025	01	6514100-7	36-10-00-03	-024	01
6511700-27	52-10-00-02	-055	AR	6514127-11	30-40-00-03	-024	02
6511700-28	52-10-00-02	-056	AR	6514160-118	32-30-00-04	-008	NP
6511700-3	52-10-00-02	-034	02	6514160-121	32-30-00-04	-027	01
6511700-30	52-10-00-02	-178	02	6514160-122	32-30-00-04	-028	01
6511700-31	52-10-00-02	-254	01	6514160-125	32-30-00-04	-002	01
6511700-32	52-10-00-02	-255	01	6514160-78	32-30-00-03	-163	02
6511700-33	52-10-00-02	-032	01	6514230-10	35-10-00-01	-022	01
6511700-34	52-10-00-02	-031	01	6514472-12	25-20-00-01	-077	02
6511700-35	52-10-00-02	-024	01	6514475-3	25-20-00-01	-076	02
6511700-36	56-30-00-01	-010	02	6517000-27	32-30-02-01	-029A	01
6511700-4	52-10-00-02	-037	02	6517005-17	32-41-00-03	-107	01
6511700-5	52-10-00-02	-048	01	6517005-18	32-41-00-03	-106	02
6511700-6	52-10-00-02	-049	01	6517005-2	32-41-00-03	-104	01
6511700-7	52-10-00-02	-246	01	6517005-23	32-41-00-03	-084	01
6511700-8	52-10-00-02	-237	01	6517005-3	32-41-00-03	-105	01
6511700-9	52-10-00-02	-240	01	6517005-38	32-41-00-03	-006	01
6511701-1	52-10-01-01	-017	01	6517005-4	32-41-00-03	-102	01
6511701-10	52-10-01-01	-037	01	6517005-5	32-41-00-03	-101	01
6511701-11	52-10-01-01	-048	01	6517005-6	32-41-00-03	-109	02
6511701-12	52-10-01-01	-087	01	6517100-18	32-41-02-01	-005	01
6511701-13	52-10-01-01	-103	01	6517100-20	32-41-02-01	-001	01
6511701-14	52-10-01-01	-157	01	6517101-11	32-41-00-03	-022	NP
6511701-2	52-10-01-01	-018	01	6517101-12	32-41-00-03	-024	01
6511701-3	52-10-01-01	-032	02	6517101-2	32-41-00-03	-183	01
6511701-4	52-10-01-01	-043	02	6517101-20	32-41-00-03	-186	01
6511701-5	52-10-01-01	-082	02	6517101-21	32-41-00-03	-189	01
6511701-6	52-10-01-01	-098	02	6517101-22	32-41-00-03	-187	01
6511701-7	52-10-01-01	-150	02	6517101-23	32-41-00-03	-190	01
6511701-8	52-10-01-01	-024	01	6517101-24	32-41-00-01	-116	01
6511701-9	52-10-01-01	-025	01	6517101-26	32-41-00-01	-119	02
6512105-6	52-10-01-02	-034	01	6517101-27	32-41-00-01	-120	01
6512105-6	52-30-00-01	-083	02	6517101-30	32-41-00-03	-192	02
6512105-6	52-30-00-02	-077	01	6517101-31	32-41-00-03	-193	01
6512105-7	52-10-01-02	-035	01	6517101-38	32-41-00-01	-121	01
6512105-7	52-30-00-01	-082	02	6517101-39	32-41-00-01	-122	01
6512105-7	52-30-00-02	-076	01	6517101-7	32-41-00-03	-185	01

CESSNA®  
**MODEL 525 (SERIALS -0685 AND -0800 AND ON)**  
 ILLUSTRATED PARTS CATALOG

PART NUMBER	CH	SEC	SUBJ	FIG	ITEM	REQ	PART NUMBER	CH	SEC	SUBJ	FIG	ITEM	REQ
6517101-8	32	41	00	03	-020	01	6519213-32	25	80	01	03	-015	01
6517102-11	32	41	00	03	-150	01	6519213-33	25	80	01	03	-007	02
6517103-1	32	41	00	03	-162	01	6519213-56	25	80	01	03	-020	01
6517104-1	32	41	00	03	-182	01	6519213-57	25	80	01	03	-009	01
6517105-37	32	41	00	01	-106	01	6519213-58	25	80	01	03	-008	01
6517105-38	32	41	00	01	-100	01	6519315-43	11	PP	23	01	-002	01
6517105-39	32	41	00	03	-096	01	6519420-19	25	80	01	03	-004	07
6517105-40	32	41	00	03	-042	01	6519420-19	25	80	01	03	-077	23
6517105-43	32	41	00	03	-043	01	6519420-23	25	80	01	03	-076	08
6517105-52	32	30	01	03	-043	01	6519420-25	25	80	01	03	-001	10
6517105-53	32	41	00	03	-041	01	6519420-25	25	80	01	03	-083	07
6517105-54	32	41	00	03	-031	01	6519447-3	25	20	01	02	-028	01
6517105-55	32	41	00	03	-093	01	6519447-4	25	20	01	02	-011	01
6517105-56	32	41	00	03	-095	01	6519459-1	25	20	02	02	-175	01
6517105-58	32	30	01	04	-042	01	6519459-2	25	20	02	02	-172	01
6517105-59	32	41	00	03	-112	01	6519496-16	52	60	00	01	-112	02
6517105-60	32	41	00	03	-026	01	6519497-2	52	60	00	01	-012	01
6517105-62	32	30	01	04	-022	01	6519497-6	52	60	00	01	-022	01
6517108-4	32	41	00	03	-161	01	6519498-17	52	60	00	01	-081	01
6517109-1	32	41	00	03	-018	01	6519498-18	52	60	00	01	-082	01
6517109-2	32	41	00	03	-019	01	6519520-10	52	60	00	01	-039	02
6518117-113	24	50	01	01	-154	01	6519520-11	52	60	00	01	-042	01
6518117-113	24	50	01	02	-153	01	6519520-12	52	60	00	01	-040	02
6518117-25	24	50	01	01	-156	01	6519520-13	52	60	00	01	-036	01
6518117-25	24	50	01	02	-154	01	6519520-14	52	60	00	01	-035	02
6518117-72	24	50	01	02	-155	01	6519520-2	52	60	00	01	-043	01
6518146-5	34	25	00	01	-006	01	6519520-3	52	60	00	01	-044	01
6518326-3	24	50	03	01	-019	01	6519520-4	52	60	00	01	-045	02
6518327-12	11	N	31	02	-002	01	6519520-5	52	60	00	01	-046	01
6518327-13	11	N	31	02	-001	01	6519520-6	52	60	00	01	-047	01
6518382-13	24	50	02	03	-022	01	6519520-7	52	60	00	01	-038	01
6518383-30	24	50	02	05	-098	03	6519520-8	52	60	00	01	-037	02
6518383-37	24	50	02	05	-017	01	6519520-9	52	60	00	01	-041	01
6518383-42	24	50	02	05	-001	03	6519692-11	52	60	00	01	-049	01
6518383-59	24	50	02	05	-111	01	6519692-12	52	60	00	01	-048	01
6518402-3	30	30	00	01	-011	02	6519880-11	25	20	01	02	-006	01
6519002-106	25	20	02	01	-010	04	6519880-12	25	20	01	02	-007	01
6519009-60	52	60	00	01	-109	01	6519880-17	25	20	01	02	-014	01
6519009-60	52	60	00	02	-049	01	6519880-18	25	20	01	02	-015	01
6519009-60	52	60	00	02	-095	01	6519880-22	25	20	01	02	-003	01
6519009-61	52	60	00	02	-009	01	6519880-26	25	20	01	02	-008	01
6519009-65	52	60	00	02	-018	01	6519880-30	25	20	01	02	-016	01
6519009-66	52	60	00	02	-013	02	6519880-34	25	20	01	02	-004	01
6519009-68	52	60	00	02	-016	01	6519880-35	25	20	01	02	-009	01
6519009-69	52	60	00	02	-017	01	6519880-36	25	20	01	02	-017	01
6519009-70	52	60	00	02	-015	02	6519880-37	25	20	01	02	-005	01
6519009-72	52	60	00	01	-107	01	6519880-38	25	20	01	02	-010	01
6519009-72	52	60	00	02	-093	01	6519880-39	25	20	01	02	-018	01
6519009-73	52	60	00	01	-105	01	6519880-5	25	20	01	02	-001	01
6519009-73	52	60	00	02	-091	01	6519880-6	25	20	01	02	-002	01
6519009-75	52	60	00	02	-001	01	6519881-11	25	20	01	02	-022	AR
6519009-9	52	60	00	02	-030	01	6519881-12	25	20	01	02	-023	AR
6519180-8	53	20	00	02	-024	01	6519881-17	25	20	01	02	-024	AR
6519213-23	25	80	01	03	-016	01	6519881-23	25	20	01	02	-026	AR
6519213-24	25	80	01	03	-013	01	6519881-9	25	20	01	02	-025	AR
6519213-25	25	80	01	03	-017	01	6522068-1	57	60	00	01	-023	02
6519213-26	25	80	01	03	-012	01	6534003-50	55	10	00	01	-075	02
6519213-27	25	80	01	03	-018	01	6534003-66	55	10	00	01	-080	02
6519213-28	25	80	01	03	-011	01	6534003-66	57	60	00	01	-024	02
6519213-29	25	80	01	03	-019	01	6534007-39	55	20	00	01	-156	01
6519213-30	25	80	01	03	-010	01	6542002-2	32	20	00	01	-027	01
6519213-31	25	80	01	03	-014	01	6551271-63	54	10	00	01	-004	08



CESSNA®  
**MODEL 525 (SERIALS -0685 AND -0800 AND ON)**  
 ILLUSTRATED PARTS CATALOG

PART NUMBER	CH SEC SUBJ FIG	ITEM	REQ	PART NUMBER	CH SEC SUBJ FIG	ITEM	REQ
6565120-83	27-10-00-01	-026	01	6917100-6	29-10-00-01	-083	02
6565132-1	27-20-01-01	-001	04	6917420-59	24-30-01-01	-076	01
6565146-1	27-20-02-01	-113	02	6918236-1	31-30-01-01	-004	01
6565146-1	27-20-02-01	-119	01	6918236-20	31-30-01-01	-004A	01
6565146-2	27-10-02-01	-048	01	6940002-8	11-N-22-01	-017	01
6565146-2	27-20-02-01	-114	01	6940002-8	11-N-27-01	-004	01
6565146-2	27-30-02-01	-163	01	6940002-8	11-N-27-02	-004	04
6565196-1	27-30-00-02	-012	02	6940002-8	11-N-32-01	-150	01
6565275-16	27-70-00-01	-109	12	6960106-11	27-10-01-01	-016	01
6565275-26	27-70-00-01	-169	01	6960106-12	27-10-01-01	-017	01
6565275-27	27-70-00-01	-170	01	6960106-13	27-10-01-01	-032	01
6565275-28	27-70-00-01	-168	01	6960106-5	27-10-01-01	-019	01
6565275-48	27-70-00-01	-098	01	6960106-6	27-10-01-01	-020	01
6565275-7	27-70-00-01	-162	01	6960507-24	27-20-01-01	-011	01
6565330-10	27-30-00-01	-008	01	6965205-38	76-10-01-02	-041	02
6565330-50	27-30-00-01	-007	01	6965205-59	76-10-01-02	-031	02
6565330-51	27-30-00-01	-009	01	6Y	11-00-00-01	-054	AR
6565390-13	27-10-00-03	-019	02	700-650-003L	25-20-00-01	-009	01
6590008-65	11-9A-38-01	-001	01	7003-100	21-22-00-01	-002	01
6590008-65	11-CR-38-01	-004	01	7003-300	21-22-00-01	-002A	01
6590008-65	11-G-38-01	-001	01	7005002-3	11-N-27-02	-002	02
6590008-65	11-LX-38-01	-001	01	7005006-2	34-20-00-01	-012A	01
6590008-65	11-M-38-01	-001	01	7014102-30	25-20-02-02	-106	02
6590008-65	11-OY-38-01	-001	01	7018113-22	53-20-01-01	-055	01
6590008-65	11-RS-38-01	-001	01	7018119-1	24-52-00-01	-001	01
6592271-12	32-30-00-06	-008	01	7018119-2	24-52-00-01	-007	01
6592271-13	32-30-00-06	-009	02	7018928-1	24-52-00-01	-008	01
6592271-15	30-40-00-01	-003	01	7040005-23	32-30-00-01	-006	01
6592271-16	30-40-00-01	-002	02	7040005-35	32-30-00-01	-019	01
6605020-8	11-N-22-03	-002A	01	7040005-36	32-30-00-01	-020	01
6614051-29	36-10-00-03	-037	01	7040005-37	32-30-00-01	-005	01
6618350-17	24-50-02-03	-011	09	7040005-7	32-30-00-01	-011	01
6618353-18	24-50-02-02	-034	02	7055004-10	80-10-00-01	-008	01
6618353-20	24-50-02-02	-018	02	7055004-9	80-10-00-01	-009	01
6618353-20	24-50-04-01	-032	02	7060201-10	22-10-00-01	-030A	01
6640001-16	11-N-27-01	-075	01	7060201-10	22-10-00-01	-089A	01
6640001-4	11-N-27-01	-001	01	7060201-9	22-10-00-01	-029A	01
6640001-4	11-N-27-02	-001	02	7060201-9	22-10-00-01	-088A	01
6661021-41	27-70-00-01	-034	01	7101-5	25-20-00-01	-004	01
6661042-16	27-30-02-02	-046	02	7101-6	25-20-00-01	-005	06
67-2811-2044	27-70-00-01	-004	01	7105003-3	11-N-22-01	-013	01
6705010-2	11-N-25-01	-003	02	7111179-1	53-20-01-01	-039	01
6715191-23	76-10-01-02	-017	01	7111179-2	53-20-01-01	-040	01
6715191-24	76-10-01-02	-019	01	7111179-28	53-20-01-01	-050	02
6715191-25	76-10-01-02	-021	01	7111179-31	53-20-01-01	-044	01
6718434-20	24-50-02-05	-008	11	7111179-32	53-20-01-01	-045	01
6718439-16	24-50-02-02	-021	21	7111179-4	53-20-01-01	-051	02
6718439-16	24-50-02-02	-022	17	7111184-1	53-20-01-01	-011	02
6718439-16	24-50-02-02	-035	02	7111184-25	53-20-01-01	-006	01
6718439-16	24-50-04-01	-033	05	7111184-26	53-20-01-01	-007	01
6718439-17	24-50-02-02	-010	02	7111184-29	53-20-01-01	-027	01
6718439-17	24-50-02-02	-029	01	7111184-30	53-20-01-01	-026	02
6718439-17	24-50-02-02	-030	01	7111184-39	53-20-01-01	-037	01
6718506-15	24-30-01-01	-005	01	7113057-3	52-80-00-01	-001	01
6751507-19	71-00-00-01	-019	02	7113057-4	52-80-00-01	-002	01
677-A0002	23-16-00-01	-029A	01	7113057-5	52-80-00-01	-024	01
68-1316	32-40-00-01	-007	01	7113058-1	52-80-00-01	-011	01
68-1406	32-40-00-01	-008	01	7113058-15	52-80-00-01	-038	01
6800-048	32-20-00-01	-020	04	7113058-16	52-80-00-01	-039	01
6800-048	53-10-00-01	-181	04	7113058-2	52-80-00-01	-012	01
685-0355-001	23-10-00-01	-004	01	7113058-3	52-80-00-01	-037	01
6905037-32	11-LQ-25-01	-003	02	7113061-12	53-11-00-02	-111	01

CESSNA®  
**MODEL 525 (SERIALS -0685 AND -0800 AND ON)**  
 ILLUSTRATED PARTS CATALOG

PART NUMBER	CH	SEC	SUBJ	FIG	ITEM	REQ	PART NUMBER	CH	SEC	SUBJ	FIG	ITEM	REQ
7113061-12	53	11	00	02A	-109	01	822-1466-001	34	51	00	01	-005	01
7113061-13	53	11	00	02	-114	01	822-1466-001	34	51	00	02	-005	01
7113061-13	53	11	00	02A	-112	01	856B	28	10	00	02	-009	AR
7113061-15	53	11	00	02	-112	01	862609	35	00	00	01	-002	01
7113061-15	53	11	00	02A	-110	01	87-03916-001	33	40	01	01	-001	01
7113061-16	53	11	00	02	-113	01	87-03917-001	33	40	01	01	-002	01
7113061-16	53	11	00	02A	-111	01	8718011-3	24	30	02	01	-008	01
7113063-4	53	11	00	02	-075	01	8718018-4	34	30	00	01	-001	01
7113063-4	53	11	00	02A	-075	01	8718018-5	34	30	00	01	-005	01
7114010-34	35	00	00	01	-008	01	8718107-30	23	70	00	01	-004	01
7114010-48	35	00	00	01	-034	01	8718209-5	33	40	00	04	-004	01
7152022-34	71	10	00	01	-048	01	8864	25	10	02	02	-025	08
7152022-37	71	10	00	01	-047	02	8864	25	10	02	02	-029	12
7155022-12	80	10	00	01	-014	01	8903VB	24	50	00	01	-007	01
7155023-7	80	10	00	01	-012	01	8P	11	00	00	01	-009	AR
7161073-5	22	10	00	01	-076	01	9052001-5	26	20	00	02	-005	03
7161073-6	22	10	00	01	-078	02	9052001-5	53	20	01	01	-084	06
7161600-29	32	50	00	01	-172A	01	9074	71	10	00	01	-037	01
71C1HX	29	10	00	02	-008	01	9101005-2	23	10	01	01	-007	01
7243-16T	24	30	01	01	-075	01	9101018-2	25	60	00	01	-007	01
7282*BA	27	30	01	01	-031	02	9101025-6	34	44	01	01	-004	01
7311179-1	53	20	01	01	-043	01	9101054-2	23	10	01	01	-010	01
7311189-11	53	20	01	01	-095	03	9101703-3	23	10	01	01	-016	01
7311189-12	53	20	01	01	-094	02	9101706-3	23	16	00	01	-008	01
7311189-13	53	20	01	01	-085	01	9101706-5	23	16	00	01	-004	02
7311189-14	26	20	00	02	-004	03	9101707-3	23	16	00	01	-035	01
7311189-7	53	20	01	01	-083	01	9101707-5	23	16	00	01	-041	01
7313063-1	25	70	00	01	-016	01	9101707-6	23	16	00	01	-043	01
7313063-10	25	70	00	01	-009	01	9101707-8	23	16	00	01	-034	01
7313063-20	25	70	00	01	-083	01	9101708-3	23	16	00	01	-014	01
7313065-1	25	70	00	01	-001	01	9101708-4	23	16	00	01	-016	01
7313065-2	25	70	00	01	-001A	01	9101708-5	23	16	00	01	-012	02
7326401-11	28	10	00	01	-032	01	9101708-7	23	16	00	01	-017	02
7326401-12	28	10	00	01	-033	01	9101709-2	23	10	02	01	-014	01
7326401-13	28	10	00	01	-044	01	9101710-2	23	10	02	01	-015	01
7326401-14	28	10	00	01	-045	01	9101711-7	23	10	02	01	-005	01
7326401-7	28	10	00	01	-042	01	9101720-5	23	16	00	01	-042	01
7326401-8	28	10	00	01	-043	01	9102001-10	25	60	00	01	-016	01
740F44-19	71	00	00	01	-017	06	9102001-11	25	60	00	01	-017	01
744000-10-70	23	10	02	02	-005	01	9102001-12	25	60	00	01	-014	01
750-0000-10	28	10	00	01	-048	02	9102001-13	25	60	00	01	-015	01
7607-2-000	33	50	00	01	-005	01	9102001-33	25	60	00	01	-021	01
76250-6	30	30	00	01	-001	01	9102001-8	25	60	00	01	-018	01
76250-6	30	30	00	01	-002	01	9102001-9	25	60	00	01	-019	01
76505-5YD	24	50	02	02	-187	01	9102701-2	25	60	00	01	-013	01
76505-5YD	24	50	02	02	-188	01	9103001-5	34	30	10	01	-006	01
76552-1	30	30	00	01	-008	01	9103001-7	34	30	10	01	-007	01
76552-1	30	30	00	01	-009	01	9103003-4	34	35	00	01	-008	01
76779-1	24	30	00	01	-009	01	9103003-5	34	35	00	01	-007	01
76779-1	24	30	00	01	-010	01	9103010-9	34	30	10	01	-010	02
76779-1	24	50	02	02	-105	01	9104014-2	34	52	00	01	-008	01
76779-1	24	50	02	02	-106	01	9104014-3	34	52	00	01	-007	01
77B62H	32	41	00	01	-107	01	9104702-2	34	52	00	01	-003	01
78-8051-9180-2	34	44	00	02	-002	01	9104702-3	34	52	00	01	-009	01
78-8051-9200-8	34	44	00	02	-006	01	9107021-2	34	51	00	02	-004	01
78-8060-6086-5	34	44	00	02	-001	01	9108011-15	53	11	00	01	-016	01
78750	25	10	02	02	-017A	01	9108011-15	53	11	00	01A	-165	01
79734-006	38	31	00	01	-001	01	9108011-28	53	11	00	01	-016A	01
80626	29	10	00	02	-109	01	9108021-9	34	46	00	02	-013	01
81296-5	38	30	00	01	-006	NP	9108031-2	34	50	00	01	-011	02
822-0101-002	23	10	00	01	-001	01	9108034-3	34	46	00	02	-015	01
822-0615-206	34	40	00	01	-001	01	9108702-2	34	46	00	02	-014	01

CESSNA®  
**MODEL 525 (SERIALS -0685 AND -0800 AND ON)**  
 ILLUSTRATED PARTS CATALOG

PART NUMBER	CH SEC SUBJ FIG	ITEM	REQ	PART NUMBER	CH SEC SUBJ FIG	ITEM	REQ
9108702-3	34-46-00-02	-016	01	9154705-7	34-61-05-01	-007	01
9108702-4	34-46-00-02	-012	02	9154705-8	34-46-00-02	-005	01
9110001-12	23-10-00-01	-025	02	9154705-9	34-44-01-01	-016	01
9110001-13	23-10-00-01	-017	02	9154707-2	23-70-00-01	-002	01
9110001-19	23-10-00-01	-036	01	9154710-11	77-40-05-01	-011	01
9110001-31	23-10-00-01	-035	01	9154710-12	77-40-05-01	-013	01
9110002-30	23-10-00-01	-039	01	9154710-13	77-40-05-01	-008	01
9110007-10	23-10-00-01	-028	01	9154710-14	77-40-05-01	-007	01
9110007-4	23-10-00-01	-022	01	9154710-5	77-40-05-01	-016	01
9110007-8	23-10-00-01	-021	02	9154710-8	77-40-05-01	-006	02
9110007-9	23-10-00-01	-029	01	9154710-9	77-40-05-01	-015	02
9110010-2	23-10-00-01	-031	01	9154713-4	31-30-01-01	-012	02
9110011-4	23-10-00-01	-016	02	9154713-4	31-30-01-01	-012A	01
9111002-3	34-44-00-02	-009	01	9154713-7	31-30-01-01	-012B	01
9111010-2	34-44-00-02	-010	01	9154715-3	25-70-00-01	-011	01
9112188-2	27-10-01-01	-005	01	9156000-22	25-70-00-02	-043	01
9112189-2	27-10-01-01	-006	01	9156002-11	25-70-00-01	-007	02
91131-1	52-40-00-01	-009	02	9156002-12	25-70-00-01	-008	02
9115008-11	34-52-00-01	-011	02	9156002-2	25-70-00-01	-002	01
9115010-12	23-50-00-02	-003	01	9156010-1	25-70-00-01	-013	01
9115011-2	23-50-00-02	-010	01	9156010-10	25-70-00-01	-024	01
9116005-2	34-40-00-01	-010	02	9156010-11	25-70-00-01	-020	01
9116005-3	34-40-00-01	-008	01	9156010-12	25-70-00-01	-022	01
9117003-4	25-70-00-01	-077	02	9156010-13	53-10-00-02	-079	01
9118009-4	33-10-00-01	-001	01	9156010-14	53-10-00-02	-083	01
9118009-5	33-10-00-01	-003	01	9156010-15	25-70-00-01	-021	01
9118009-6	33-10-00-01	-004	01	9156010-2	25-70-00-01	-014	01
9122006-10	23-70-00-01	-025	01	9156010-3	25-70-00-01	-019	01
9122006-13	23-70-00-01	-012	01	9156010-4	25-70-00-01	-026	01
9122006-17	23-70-00-01	-031	01	9156010-5	25-70-00-01	-015	01
9122006-4	23-70-00-01	-024	01	9156010-7	25-70-00-01	-017	01
9122006-9	23-70-00-01	-020	01	9156010-8	25-70-00-01	-018	01
9122701-4	23-70-00-01	-019	01	9156010-9	25-70-00-01	-023	01
9122701-5	23-70-00-01	-021	01	9156026-10	53-11-00-03	-020	01
9122701-7	23-70-00-01	-009	01	9156026-2	53-11-00-03	-015	01
9122701-8	23-70-00-01	-011	01	9156026-3	53-11-00-03	-011	01
9123039-5	23-16-00-01	-020	01	9156026-5	53-11-00-03	-001	01
9123039-6	23-16-00-01	-019	01	9156026-6	53-11-00-03	-003	01
9123041-3	34-61-05-01	-023	02	9156026-9	53-11-00-03	-021	01
9123041-4	34-61-05-01	-024	01	9156600-15	53-10-00-02	-090	01
9123042-3	34-61-05-01	-025	01	9156600-16	53-10-00-02	-087	01
913X	27-10-01-01	-008	01	9156600-21	53-10-00-02	-091	01
913X	27-10-01-01	-011	01	9156600-22	53-10-00-02	-092	01
9154003-4	55-30-00-03	-008	02	9156600-3	25-70-00-01	-005	01
9154029-10	25-70-00-01	-080	01	9156600-31	25-70-00-01	-012	01
9154040-3	25-10-00-02	-021	02	9156600-35	53-10-00-02	-088	01
9154065-3	25-10-00-02	-018	01	9156600-40	53-10-00-02	-078	01
9154065-5	25-10-00-02	-019	01	9156600-41	53-10-00-02	-077	01
9154065-8	24-50-01-03	-002	01	9156600-42	25-70-00-01	-004	02
9154082-45	25-60-00-01	-002	01	9156600-58	53-10-00-02	-089	01
9154082-48	34-30-10-01	-001	01	9156600-7	53-10-00-02	-093	01
9154082-69	24-50-00-01	-010	01	9156600-8	53-10-00-02	-094	01
9154504-6	53-40-00-02	-152	02	92-1049-2	33-10-00-01	-084	01
9154701-3	24-30-02-01	-004	01	9200-32100-0201	34-16-00-01	-001	01
9154701-6	24-30-02-01	-006	02	92012A208	25-20-05-01	-319	02
9154705-10	34-51-00-01	-009	01	9215016-6	23-50-00-01	-013	02
9154705-12	34-61-05-01	-008	01	9215016-7	23-50-00-01	-010	02
9154705-14	34-61-05-01	-011	02	9215016-8	23-50-00-01	-011	02
9154705-15	34-52-00-01	-010	01	9254158-13	23-70-00-01	-017	02
9154705-18	34-61-05-01	-014	02	938035-00-3	23-10-02-02	-002	01
9154705-19	34-61-05-01	-005	01	93996A710	25-20-05-01	-190	01
9154705-20	34-61-05-01	-004	02	93996A726	25-20-05-01	-184	01

CESSNA®  
**MODEL 525 (SERIALS -0685 AND -0800 AND ON)**  
 ILLUSTRATED PARTS CATALOG

PART NUMBER	CH SEC SUBJ FIG	ITEM	REQ	PART NUMBER	CH SEC SUBJ FIG	ITEM	REQ
93996A738	25-20-05-01	-326	06	9912374-6	32-41-00-03	-017	01
95204300-2	32-30-02-01	-040	01	9912374-7	32-41-00-03	-014	01
95784	32-30-02-01	-008	01	9912375-4	27-60-00-02	-111	02
9602020-10	25-60-00-01	-020	01	9912378-2	21-21-01-01	-001	01
9608041-2	34-50-00-01	-012	01	9912378-5	21-21-01-01	-014	01
9608041-3	34-50-00-01	-013	01	9912378-6	21-21-01-01	-015	01
9654194-2	53-20-00-01	-039	05	9912387-5	32-41-00-05	-029	01
9654194-2	53-20-00-02	-006	13	9912388-1	32-41-00-01	-160	01
9654194-2	53-40-00-03	-088A	04	9912397-8	32-30-00-02	-100	02
9654610-2	27-30-01-01	-017	02	9912398-10	32-40-00-01	-010A	02
9654610-3	27-30-01-01	-018	02	9912398-7	32-40-00-01	-006	01
9654611-3	53-20-00-01	-013	01	9912398-8	32-40-00-01	-010	02
9656053-16	25-70-00-01	-003	01	9912398-9	32-40-00-01	-006A	02
9656053-4	25-70-00-01	-006	02	9912400-4	29-10-00-01	-105	02
9656056-5	25-70-00-02	-016	01	9912402-9	30-10-00-01	-001	02
98380A471	25-20-05-01	-103	02	9912402-9	30-40-00-03	-102	01
9862516-1	27-10-02-02	-039	01	9912403-2	30-10-00-01	-007	01
9910551-1	23-30-01-01	-005	01	9912406-41	57-20-01-01	-001	06
9912014-3	28-20-00-02	-027	02	9912406-45	57-20-01-01	-004	14
9912016-1	28-10-00-01	-038	NP	9912406-47	57-10-01-01	-001	02
9912016-2	28-10-00-01	-039	01	9912406-48	57-10-01-01	-002	02
9912017-4	28-20-00-01	-009	02	9912406-49	57-10-01-01	-003	01
9912026-3	30-40-00-03	-001	04	9912406-50	57-10-01-01	-005	01
9912033-2	73-10-00-01	-033	02	9912406-51	57-10-01-01	-004	01
9912041-3	30-40-00-03	-098	01	9912406-52	57-10-01-01	-006	01
9912048-6	26-20-00-01	-001	01	9912406-53	57-10-01-01	-007	02
9912048-7	26-20-00-01	-001A	01	9912406-54	57-10-01-01	-008	02
9912057-15	35-10-00-01	-006	02	9912406-55	57-20-01-01	-012	08
9912062-8	29-10-00-01	-001	02	9912406-56	57-10-01-01	-009	02
9912064-15	56-10-00-01	-001	01	9912407-1	29-10-00-01	-228	01
9912064-16	56-10-00-01	-002	01	9912407-10	29-10-00-01	-236	01
9912064-19	56-10-00-01	-003	80	9912407-11	29-10-00-01	-246	01
9912071-5	28-10-00-02	-011	04	9912407-2	29-10-00-01	-227	01
9912071-5	28-20-00-01	-037	01	9912407-4	29-10-00-01	-229	01
9912075-4	52-10-00-01	-007	01	9912407-8	29-10-00-01	-243	01
9912078-9	21-20-01-01	-002	02	9912410-2	54-10-00-01	-036	02
9912083-2	28-10-00-02	-006	08	9912410-3	71-20-00-01	-001	04
9912085-1	30-40-00-03	-105	01	9912412-1	28-40-00-01	-020	02
9912085-3	21-20-01-01	-026	01	9912412-2	28-40-00-01	-019	02
9912085-3	21-60-00-01	-008	01	9912412-3	28-40-00-01	-018	02
9912085-3	30-40-00-03	-049	01	9912412-4	28-40-00-01	-017	02
9912085-3	30-40-00-03	-087	01	9912412-5	28-40-00-01	-016	02
9912085-6	30-40-00-03	-115	01	9912412-7	28-40-00-01	-001	01
9912178-4	79-30-00-01	-001	02	9912412-8	28-40-00-01	-005	02
9912190-2	28-20-00-01	-014	02	9912414-9	35-20-00-01	-010	04
9912190-3	28-20-00-01	-052	02	9912416-1	26-10-00-01	-001	02
9912194-5	29-10-00-01	-122	02	9912417-1	73-30-00-01	-001	01
9912207-8	56-20-00-01	-006	01	9912417-1	73-30-00-01	-002	01
9912305-2	32-41-00-03	-079	02	9912417-3	24-50-00-01	-014	01
9912305-6	32-41-00-03	-082	01	9912422-2	21-30-00-02	-001	01
9912364-2	32-41-00-03	-160	01	9912423-29	29-10-00-02	-104	01
9912365-7	27-50-01-01	-115	02	9912423-30	29-10-00-02	-101	01
9912366-1	32-41-00-01	-017	02	9912423-31	29-10-00-02	-113	02
9912366-2	32-41-00-01	-018	02	9912423-32	29-10-00-02	-117	01
9912368-2	32-30-02-01	-030	01	9912423-33	29-10-00-02	-097	01
9912370-5	32-30-01-04	-084	01	9912423-34	29-10-00-02	-093	01
9912372-1	32-41-00-03	-179	01	9912423-39	29-10-00-02	-079	01
9912372-10	29-10-00-02	-030	02	9912423-44	29-10-00-02	-089	01
9912372-14	29-10-00-02	-029	02	9912423-46	29-10-00-02	-083	01
9912372-2	32-41-00-03	-177	01	9912423-48	29-10-00-02	-075	01
9912373-1	32-41-00-03	-171	01	9912459-10	21-50-01-02	-002	01
9912373-6	29-10-00-02	-107	01	9912459-8	21-50-02-01	-001	01

CESSNA®  
**MODEL 525 (SERIALS -0685 AND -0800 AND ON)**  
 ILLUSTRATED PARTS CATALOG

PART NUMBER	CH SEC SUBJ FIG	ITEM	REQ	PART NUMBER	CH SEC SUBJ FIG	ITEM	REQ
9912459-9	21-50-01-01	-001	01	9919087-11	25-80-00-01	-017	01
9912510-1	36-10-00-01	-108	01	9919087-110	25-80-01-01	-177	01
9912579-1	29-10-00-02	-033	NP	9919087-111	25-80-01-01	-083	01
9912579-2	29-10-00-02	-035	01	9919087-112	25-80-01-01	-176	01
9912579-5	29-10-00-02	-033A	01	9919087-114	25-80-01-01	-172	01
9912584-1	36-10-00-01	-045	01	9919087-115	25-80-01-01	-087	01
9912584-2	36-10-00-01	-046	01	9919087-116	25-80-01-01	-171	01
9912584-3	36-10-00-01	-164	02	9919087-12	25-80-00-01	-082	01
9912644-2	32-41-00-03	-110	01	9919087-120	25-80-01-02	-028	01
9912661-11	21-30-00-01	-001A	01	9919087-121	25-80-01-01	-088	01
9912661-5	21-30-00-01	-001	01	9919087-122	25-80-01-02	-026	01
9912661-7	21-30-00-01	-009	02	9919087-123	25-80-01-01	-090	01
9912679-4	33-40-00-04	-001	01	9919087-124	25-80-01-02	-024	01
9912680-3	71-00-00-01	-001	02	9919087-126	25-80-01-02	-022	01
9912680-4	76-12-00-01	-010	01	9919087-127	25-80-01-01	-091	01
9912680-4	76-12-00-01	-011	01	9919087-128	25-80-01-02	-030	01
9912762-4	24-50-03-01	-001	02	9919087-129	25-80-01-01	-093	01
9912808-1	33-10-00-01	-005	NP	9919087-13	25-80-00-01	-018	01
9912808-2	33-10-00-01	-005A	01	9919087-130	25-80-01-02	-029	01
9912809-1	33-10-00-01	-075	01	9919087-132	25-80-01-02	-027	01
9912809-2	33-10-00-01	-075A	01	9919087-134	25-80-01-02	-025	01
9912810-1	33-10-00-01	-076	01	9919087-135	25-80-01-01	-094	01
9912814-1	33-10-00-01	-080	01	9919087-136	25-80-01-02	-023	01
9912815-1	33-10-00-01	-082	01	9919087-137	25-80-01-01	-095	01
9912816-1	33-10-00-01	-083	01	9919087-138	25-80-01-01	-180	01
9912817-1	33-10-00-01	-011	01	9919087-14	25-80-00-01	-081	01
9912818-1	33-10-00-01	-007	01	9919087-140	25-80-01-01	-181	01
9912818-2	33-10-00-01	-008	01	9919087-141	25-80-01-01	-096	01
9912818-6	33-10-00-01	-007A	01	9919087-142	25-80-01-01	-179	01
9912819-1	33-10-00-01	-006	01	9919087-144	25-80-01-01	-182	01
9912820-1	33-10-00-01	-081	01	9919087-146	25-80-01-01	-183	01
9914058-6	24-30-01-01	-002	01	9919087-147	25-80-01-01	-097	01
9914067-41	35-10-02-02	-001A	02	9919087-148	25-80-01-01	-174	01
9914069-2	32-40-00-02	-010	01	9919087-15	25-80-00-01	-021	01
9914069-5	32-40-00-02	-010A	01	9919087-150	25-80-01-01	-173	01
9914105-3	28-10-00-01	-024	02	9919087-151	25-80-01-01	-099	01
9914105-5	28-10-00-01	-028	02	9919087-153	25-80-01-01	-100	01
9914149-2	36-10-00-01	-079	02	9919087-154	25-80-01-01	-184	01
9914291-2	27-10-01-01	-007	01	9919087-156	25-80-01-01	-175	01
9914343-4	52-30-00-01	-037	04	9919087-157	25-80-01-01	-101	01
9914402-2	36-10-00-01	-014	02	9919087-159	25-80-01-01	-102	01
9914475-1	28-10-00-01	-035	01	9919087-16	25-80-00-01	-085	01
9914771-1	35-10-02-02	-001	02	9919087-160	25-80-01-01	-042	01
9919052-5	33-20-00-02	-001	02	9919087-161	25-80-01-01	-103	01
9919053-6	33-20-00-02	-003	NP	9919087-162	25-80-01-01	-043	01
9919053-6	33-20-00-02	-005	NP	9919087-165	25-80-01-01	-104	01
9919053-9	33-20-00-02	-003A	01	9919087-167	25-80-01-01	-105	01
9919053-9	33-20-00-02	-005A	01	9919087-17	25-80-00-01	-013	01
9919078-106	25-80-00-01	-076	01	9919087-171	25-80-01-01	-106	01
9919078-107	25-80-00-01	-011	01	9919087-175	25-80-01-01	-041	01
9919078-52	25-80-01-01	-150	01	9919087-176	25-80-01-01	-002	02
9919087-1	25-80-00-01	-016	01	9919087-177	25-80-01-01	-001	01
9919087-10	25-80-00-01	-083	01	9919087-178	25-80-01-01	-006	01
9919087-100	25-80-01-01	-168	01	9919087-179	25-80-01-01	-007	01
9919087-101	25-80-01-01	-081	01	9919087-18	25-80-00-01	-077	01
9919087-102	25-80-01-01	-167	01	9919087-180	25-80-01-01	-005	01
9919087-103	25-80-01-01	-082	01	9919087-181	25-80-01-01	-008	01
9919087-105	25-80-01-01	-086	01	9919087-182	25-80-01-01	-011	01
9919087-106	25-80-01-01	-170	01	9919087-183	25-80-01-01	-010	01
9919087-107	25-80-01-01	-085	01	9919087-184	25-80-01-01	-009	01
9919087-108	25-80-01-01	-178	01	9919087-185	25-80-01-01	-012	01
9919087-109	25-80-01-01	-084	01	9919087-186	25-80-01-01	-015	01

CESSNA®  
**MODEL 525 (SERIALS -0685 AND -0800 AND ON)**  
 ILLUSTRATED PARTS CATALOG

PART NUMBER	CH	SEC	SUBJ	FIG	ITEM	REQ	PART NUMBER	CH	SEC	SUBJ	FIG	ITEM	REQ
9919087-187	25	-80	-01	-01	-014	01	9919087-49	25	-80	-01	-01	-077	01
9919087-188	25	-80	-01	-01	-013	01	9919087-5	25	-80	-00	-01	-014	01
9919087-189	25	-80	-01	-01	-016	01	9919087-51	25	-80	-01	-01	-004	01
9919087-190	25	-80	-01	-01	-019	01	9919087-52	25	-80	-01	-01	-153	01
9919087-191	25	-80	-01	-01	-018	01	9919087-53	25	-80	-01	-02	-017	01
9919087-192	25	-80	-01	-01	-017	01	9919087-54	25	-80	-01	-01	-152	01
9919087-193	25	-80	-01	-01	-020	01	9919087-55	25	-80	-01	-02	-014	01
9919087-194	25	-80	-01	-01	-023	01	9919087-57	25	-80	-01	-02	-008	01
9919087-195	25	-80	-01	-01	-022	01	9919087-58	25	-80	-01	-01	-154	01
9919087-196	25	-80	-01	-01	-021	01	9919087-59	25	-80	-01	-02	-006	01
9919087-197	25	-80	-01	-01	-024	01	9919087-6	25	-80	-00	-01	-078	01
9919087-198	25	-80	-01	-01	-027	01	9919087-61	25	-80	-01	-02	-004	01
9919087-199	25	-80	-01	-01	-026	01	9919087-62	25	-80	-01	-01	-156	01
9919087-2	25	-80	-00	-01	-080	01	9919087-63	25	-80	-01	-02	-001	01
9919087-200	25	-80	-01	-01	-025	01	9919087-65	25	-80	-01	-02	-019	01
9919087-201	25	-80	-01	-01	-028	01	9919087-67	25	-80	-01	-02	-020	01
9919087-202	25	-80	-01	-01	-030	01	9919087-68	25	-80	-01	-01	-157	01
9919087-203	25	-80	-01	-01	-029	02	9919087-69	25	-80	-01	-02	-016	01
9919087-204	25	-80	-01	-01	-032	01	9919087-7	25	-80	-00	-01	-020	01
9919087-205	25	-80	-01	-01	-031	01	9919087-71	25	-80	-01	-02	-013	01
9919087-206	25	-80	-01	-01	-035	01	9919087-72	25	-80	-01	-01	-161	01
9919087-207	25	-80	-01	-01	-034	01	9919087-73	25	-80	-01	-02	-012	01
9919087-208	25	-80	-01	-01	-033	01	9919087-74	25	-80	-01	-01	-159	01
9919087-209	25	-80	-01	-01	-036	01	9919087-75	25	-80	-01	-02	-011	01
9919087-21	25	-80	-00	-01	-012	01	9919087-77	25	-80	-01	-02	-009	01
9919087-210	25	-80	-01	-01	-039	01	9919087-79	25	-80	-01	-02	-002	01
9919087-211	25	-80	-01	-01	-038	01	9919087-8	25	-80	-00	-01	-084	01
9919087-212	25	-80	-01	-01	-037	01	9919087-80	25	-80	-01	-01	-162	01
9919087-213	25	-80	-01	-01	-040	01	9919087-81	25	-80	-01	-02	-021	01
9919087-215	25	-80	-01	-01	-089	01	9919087-82	25	-80	-01	-01	-160	01
9919087-216	25	-80	-01	-01	-155	01	9919087-83	25	-80	-01	-02	-018	01
9919087-217	25	-80	-01	-01	-092	01	9919087-85	25	-80	-01	-02	-015	01
9919087-218	25	-80	-01	-01	-158	01	9919087-86	25	-80	-01	-01	-164	01
9919087-219	25	-80	-01	-01	-098	01	9919087-87	25	-80	-01	-02	-010	01
9919087-22	25	-80	-00	-01	-075	01	9919087-89	25	-80	-01	-02	-007	01
9919087-220	25	-80	-01	-01	-163	01	9919087-9	25	-80	-00	-01	-019	01
9919087-23	25	-80	-00	-01	-001	01	9919087-91	25	-80	-01	-02	-005	01
9919087-24	25	-80	-00	-01	-002	01	9919087-92	25	-80	-01	-01	-166	01
9919087-25	25	-80	-00	-01	-023	01	9919087-93	25	-80	-01	-02	-003	01
9919087-26	25	-80	-00	-01	-010	01	9919087-94	25	-80	-01	-01	-165	01
9919087-27	25	-80	-00	-01	-022	01	9919087-95	25	-80	-01	-01	-076	01
9919087-28	25	-80	-00	-01	-004	01	9919087-97	25	-80	-01	-01	-075	01
9919087-29	25	-80	-00	-01	-009	01	9919087-98	25	-80	-01	-01	-169	01
9919087-3	25	-80	-00	-01	-015	01	9919106-10	25	-12	-00	-01	-004	01
9919087-30	25	-80	-00	-01	-006	01	9919106-9	25	-12	-00	-01	-003	01
9919087-31	25	-80	-00	-01	-005	01	9919118-1	25	-20	-05	-01	-407	02
9919087-32	25	-80	-00	-01	-086	01	9919118-10	25	-20	-05	-01	-412	01
9919087-33	25	-80	-00	-01	-003	01	9919118-11	38	-30	-00	-01	-188	01
9919087-34	25	-80	-00	-01	-008	01	9919118-14	38	-30	-00	-01	-190	01
9919087-35	25	-80	-00	-01	-007	01	9919118-2	25	-20	-05	-01	-408	01
9919087-36	25	-80	-00	-01	-089	01	9919118-3	25	-26	-00	-01	-079	01
9919087-37	25	-80	-00	-01	-026	01	9919118-4	38	-30	-00	-01	-187	01
9919087-38	25	-80	-00	-01	-088	01	9919118-6	25	-20	-05	-01	-415	01
9919087-39	25	-80	-00	-01	-025	01	9919118-7	25	-20	-05	-01	-413	01
9919087-4	25	-80	-00	-01	-079	01	9919118-8	25	-20	-05	-01	-414	01
9919087-40	25	-80	-00	-01	-087	01	9919118-8	38	-30	-00	-01	-191	01
9919087-41	25	-80	-00	-01	-024	01	9919118-9	25	-20	-05	-01	-411	01
9919087-43	25	-80	-01	-01	-080	01	9919142-2	27	-10	-01	-01	-033	01
9919087-44	25	-80	-01	-01	-003	01	9919142-5	27	-10	-01	-01	-030	01
9919087-45	25	-80	-01	-01	-079	01	9919155-4	25	-20	-00	-01	-078	01
9919087-46	25	-80	-01	-01	-151	01	998502-15	33	-10	-01	-01	-006	01
9919087-47	25	-80	-01	-01	-078	01	99K31.01	38	-30	-00	-01	-016	04

CESSNA®  
**MODEL 525 (SERIALS -0685 AND -0800 AND ON)**  
 ILLUSTRATED PARTS CATALOG

PART NUMBER	CH SEC SUBJ FIG	ITEM	REQ	PART NUMBER	CH SEC SUBJ FIG	ITEM	REQ
99K32.03	25-20-01-01	-026	02	AJ3-20	53-11-00-02	-088	05
99K32.03	25-21-00-02	-035	02	AJ3-20	53-11-00-02A	-002	05
99K32.03	25-30-00-01	-037	04	AJ3-20	53-11-00-02A	-084	03
99K32.03	25-30-00-02	-025	04	AKB16-4003N	57-20-01-02	-014	01
99K32.52	25-20-01-01	-024	02	AKB16-4003N	57-20-01-02	-022	01
99K32.61	25-21-00-02	-036	02	ALS30A472DA063	24-50-04-01	-084	01
9A	11-00-00-01	-026	AR	AM5M5	32-50-00-01	-176A	01
9G1224A4M03	21-20-00-03	-005	02	AN121657	32-30-00-02	-008	01
9G1224A4M03	21-20-00-03	-075	01	AN174H47A	27-10-00-02	-003	01
9K	11-00-00-01	-057	AR	AN176-21A	27-20-01-01	-038	01
9M	11-00-00-01	-075	AR	AN23-11	32-50-00-01	-017	01
9R3864	32-41-01-01	-008	01	AN23-12	27-10-00-01	-102	01
A2116-1	25-30-01-01	-003	01	AN23-12	27-50-00-01	-033	01
A2116-2	25-30-01-01	-004	01	AN23-12	32-41-00-01	-169	01
A352GS	26-20-01-01	-004	01	AN23-13	22-10-00-01	-034	01
A352TS	26-20-01-01	-001A	01	AN23-13	22-10-00-01	-093	01
A4-1134-1	76-10-01-02	-028	02	AN23-13	27-10-00-01	-078	01
A5210-12P	38-30-00-01	-010	02	AN23-13	27-20-00-01	-008	01
A5210-13P	25-30-00-01	-038	02	AN23-13	27-70-00-01	-099	01
A5210-13P	25-30-00-02	-022	04	AN23-14	27-10-00-01	-079	01
A5210-13P	25-30-00-03	-091	04	AN23-16	32-30-00-03	-012	01
A5210-14P	25-30-00-01	-030	02	AN23-17	27-50-00-01	-025	01
A5210-14P	25-30-00-03	-080	02	AN23-17	27-60-00-01	-005	01
A5210-16P	25-26-00-02	-012	02	AN23-17	32-50-00-01	-002	01
A5210-16P	25-30-00-03	-090	02	AN23-19	27-10-00-01	-014	01
A5210-16P	25-30-00-03	-117	02	AN23-9	32-30-00-04	-016	01
A5210-6P	38-30-00-01	-008	02	AN24-13	32-50-00-01	-006	01
A6	11-00-00-01	-113	AR	AN24-18	27-50-00-02	-106	01
A7	11-00-00-01	-096	AR	AN24-19	27-20-00-01	-007	01
A850	21-60-00-01	-010	01	AN24-21	27-10-00-01	-010	01
A9002	52-30-00-01	-031	02	AN24-21	27-10-00-01	-022	01
A9002	52-30-00-02	-026	02	AN256-10	25-10-00-01	-017	01
A9008	52-30-00-02	-024	02	AN256-10	27-70-00-01	-018	01
A9C	11-00-00-01	-008	AR	AN256-10	32-30-00-04	-013	01
AE1014850G	21-50-00-01	-031A	01	AN3-10A	27-10-02-03	-029	01
AE13083-5	26-20-00-01	-004A	02	AN3-10A	27-20-02-01	-009	01
AE22103-011	21-50-00-01	-032	01	AN3-10A	27-30-02-02	-014	01
AE22103-015	21-50-00-01	-030	01	AN3-10A	27-30-02-02	-018	01
AE3663163H0152	29-10-00-01	-027	01	AN3-10A	52-30-00-01	-017	01
AE3663163H0166	29-10-00-01	-028	01	AN3-10A	55-30-01-01	-097	02
AE3663163J0146	29-10-00-01	-026	01	AN3-11A	27-10-02-03	-037	01
AE3663163K0110	73-10-00-01	-011	01	AN3-11A	52-10-01-01	-160	01
AE3663218E0117	32-41-00-01	-013	01	AN3-12A	25-20-05-01	-079	02
AE3663218E0185	32-30-01-04	-023	01	AN3-12A	52-80-00-01	-003	02
AE3663218E0185	32-30-01-04	-079	01	AN3-14A	32-30-00-03	-162	01
AE3663231E0243	32-41-00-05	-105	02	AN3-15A	25-20-05-01	-154	01
AE3663231G0114	32-30-00-02	-044	02	AN3-15A	52-10-00-02	-175	04
AE3663231G0127	32-30-00-02	-087	02	AN3-15A	71-70-00-01	-009	04
AE3663231G0233	32-41-00-04	-035	02	AN3-16A	27-20-02-01	-015	01
AE3663232E0152	27-60-00-02	-102	02	AN3-16A	52-10-00-02	-093	01
AE3663232E0217	27-50-01-01	-103	02	AN3-16A	52-10-00-02	-155	01
AE3663233E0097	27-60-00-02	-110	02	AN3-16A	52-10-00-02	-165	01
AE3663233E0164	27-50-01-01	-110	02	AN3-17A	25-20-05-01	-235	02
AE3663713E0121	32-41-00-01	-028	03	AN3-20A	52-10-01-01	-077	01
AE3663713E0171	32-41-00-01	-051	01	AN3-22A	32-41-01-01	-015	01
AE6208G0133-220	73-10-00-01	-001	01	AN3-24A	32-41-00-05	-030	03
AE6208G0186-220	73-10-00-01	-010	01	AN3-27A	25-20-05-01	-033	02
AE6209J0097-264	29-10-00-01	-029	01	AN3-3	77-40-05-01	-009	02
AE6210K0130-170	73-10-00-01	-021	01	AN3-32A	25-20-05-01	-028	02
AE717889-1	21-50-00-01	-029A	01	AN3-32A	30-40-00-03	-011	04
AJ3-20	53-11-00-02	-002	05	AN3-33A	32-30-00-06	-033	01
AJ3-20	53-11-00-02	-084	03	AN3-33A	76-12-00-01	-012	04

CESSNA®  
**MODEL 525 (SERIALS -0685 AND -0800 AND ON)**  
 ILLUSTRATED PARTS CATALOG

PART NUMBER	CH	SEC	SUBJ	FIG	ITEM	REQ	PART NUMBER	CH	SEC	SUBJ	FIG	ITEM	REQ		
AN3-3A					21-30-00-01	-010	06	AN3-5A					27-31-00-01	-007	03
AN3-3A					21-30-00-01	-011	05	AN3-5A					27-70-00-01	-017	01
AN3-3A					23-10-00-01	-011	01	AN3-5A					28-20-00-02	-028	04
AN3-3A					24-50-02-02	-002	04	AN3-5A					32-30-02-01	-031	02
AN3-3A					25-20-05-01	-394A	01	AN3-5A					35-00-00-01	-039	01
AN3-3A					25-30-00-02	-004	05	AN3-5A					35-00-00-01	-043	01
AN3-3A					27-20-00-02	-003	04	AN3-5A					36-10-00-01	-016	02
AN3-3A					30-40-00-01	-039	01	AN3-5A					38-30-00-01	-077	03
AN3-3A					30-40-00-01	-151	01	AN3-5A					52-10-00-02	-099	01
AN3-3A					32-41-00-03	-152	02	AN3-5A					52-80-00-01	-025	02
AN3-3A					32-41-00-03	-184	02	AN3-5A					53-10-00-01	-159	04
AN3-3A					32-50-00-01	-038	03	AN3-5A					53-10-00-04	-044	02
AN3-3A					32-50-00-01	-042	02	AN3-5A					53-20-00-01	-053	01
AN3-3A					32-50-00-01	-091	02	AN3-5A					53-20-00-02	-025	04
AN3-3A					52-10-00-01	-093	01	AN3-5A					53-21-00-05	-001	03
AN3-3A					52-10-00-02	-043	04	AN3-5A					71-60-00-01	-002	09
AN3-3A					53-10-00-02	-166	04	AN3-5A					78-10-00-01	-003	24
AN3-3A					53-11-00-02	-053	01	AN3-6					27-10-00-01	-048	01
AN3-3A					53-20-00-01	-028	05	AN3-6A					21-20-01-01	-005	08
AN3-3A					57-40-00-01	-011	01	AN3-6A					25-26-00-01	-006	08
AN3-3A					73-10-00-01	-030	02	AN3-6A					25-30-00-03	-100	02
AN3-3A					77-40-05-01	-009A	02	AN3-6A					27-10-02-03	-014	01
AN3-4					52-10-00-03	-080	01	AN3-6A					27-10-02-03	-022	01
AN3-4					53-20-00-01	-172	01	AN3-6A					27-20-02-01	-085	01
AN3-46A					36-10-00-01	-017	02	AN3-6A					27-30-02-01	-020	01
AN3-4A					21-20-01-01	-006	08	AN3-6A					27-50-00-01	-011	01
AN3-4A					22-10-00-01	-004	04	AN3-6A					27-50-00-01	-017	01
AN3-4A					22-10-00-01	-024	04	AN3-6A					30-40-00-01	-024	03
AN3-4A					22-10-00-01	-082	04	AN3-6A					38-30-00-01	-076	08
AN3-4A					27-20-00-02	-151	02	AN3-6A					53-12-00-01	-002	04
AN3-4A					27-30-00-01	-081	02	AN3-6A					55-30-01-01	-081	06
AN3-4A					27-30-02-01	-031	08	AN3-6A					55-30-01-01	-090	06
AN3-4A					28-20-00-02	-040	01	AN3-6A					57-60-00-01	-010	04
AN3-4A					30-20-00-01	-009	02	AN3-6A					57-60-00-01	-011	06
AN3-4A					30-40-00-01	-097	01	AN3-6A					57-60-00-01	-025	04
AN3-4A					30-40-00-02	-019	02	AN3-7A					27-10-02-01	-020	01
AN3-4A					32-41-00-03	-154	02	AN3-7A					36-10-00-01	-049	04
AN3-4A					32-50-00-01	-086	04	AN3-7A					52-80-00-01	-017	02
AN3-4A					35-00-00-01	-016	04	AN3-7A					53-21-00-05	-002	29
AN3-4A					36-10-00-01	-006	02	AN3-7A					55-30-01-01	-091	04
AN3-4A					36-10-00-01	-015	02	AN3-7A					57-60-00-01	-012	02
AN3-4A					52-10-00-01	-010	01	AN310-3					27-20-00-01	-010	01
AN3-4A					52-10-00-02	-092	02	AN310-3					77-40-05-01	-010	02
AN3-4A					52-10-00-02	-098	01	AN310-4					27-20-00-01	-009	01
AN3-4A					52-40-00-01	-002	04	AN310-4					32-50-00-01	-157	01
AN3-4A					52-40-00-01	-022	03	AN310C3					76-10-01-02	-045	01
AN3-4A					52-40-00-01	-028	04	AN315-3R					36-10-00-03	-013	01
AN3-4A					53-10-00-04	-018	04	AN315-3R					53-12-00-01	-038	01
AN3-4A					53-11-00-01A	-024	02	AN315-4R					52-10-00-01	-097	01
AN3-4A					53-11-00-01A	-041	02	AN315-5R					24-50-02-02	-087	38
AN3-4A					53-20-00-01	-029	05	AN315-5R					24-50-02-05	-096	02
AN3-4A					53-20-01-01	-012	01	AN315-5R					24-50-04-01	-079	01
AN3-4A					53-20-01-01	-016	01	AN315-5R					24-50-04-01	-097	02
AN3-5					53-20-00-01	-003	01	AN315-5R					24-50-04-01	-104	01
AN3-51A					76-10-01-01	-018	02	AN315-640R					76-10-01-02	-103	03
AN3-57					27-30-02-02	-045	01	AN315-6R					24-50-02-02	-011	03
AN3-5A					27-20-00-02	-016	06	AN315-6R					24-50-02-02	-102	07
AN3-5A					27-20-00-02	-031	01	AN315-6R					24-50-02-05	-117	01
AN3-5A					27-20-01-01	-082	06	AN315-6R					24-50-04-01	-098	02
AN3-5A					27-20-01-01	-100	03	AN316-3R					24-50-02-05	-118	02
AN3-5A					27-20-01-01	-105	02	AN316-4R					21-21-00-03	-019	02
AN3-5A					27-30-02-02	-028	02	AN316-4R					21-21-00-03	-032	02



CESSNA®  
**MODEL 525 (SERIALS -0685 AND -0800 AND ON)**  
 ILLUSTRATED PARTS CATALOG

PART NUMBER	CH	SEC	SUBJ	FIG	ITEM	REQ	PART NUMBER	CH	SEC	SUBJ	FIG	ITEM	REQ
AN316-4R	21	50	02	01	-014	01	AN4-10	27	20	00	02	-088	01
AN316-4R	27	70	00	01	-179	02	AN4-10	27	30	00	01	-032	01
AN316-4R	52	10	01	01	-023	02	AN4-10	32	30	00	03	-090	01
AN316-4R	52	10	01	01	-038	02	AN4-10A	25	26	00	01	-004	04
AN316-4R	52	10	01	01	-049	02	AN4-10A	27	10	00	03	-015	01
AN316-4R	52	10	01	01	-088	02	AN4-10A	27	10	00	03	-023	01
AN316-4R	52	10	01	01	-104	02	AN4-10A	27	30	02	02	-094	01
AN316-4R	52	10	01	01	-158	02	AN4-10A	32	30	00	03	-076	01
AN316-4R	52	60	00	02	-012	04	AN4-10A	32	30	00	03	-102	01
AN316-4R	53	12	00	01	-029	01	AN4-10A	32	30	00	03	-171	01
AN316-5L	32	30	01	02	-022	01	AN4-10A	32	30	00	04	-032	01
AN316-5L	32	30	01	02	-037	01	AN4-10A	32	30	00	05	-013	01
AN316-5R	32	30	01	02	-021	01	AN4-10A	32	30	00	05	-019	01
AN316-5R	32	30	01	02	-036	01	AN4-10A	32	50	00	01	-045	01
AN316-6R	27	30	01	01	-157	02	AN4-10A	32	50	00	01	-081	01
AN316-7R	27	30	00	02	-040	01	AN4-11	27	20	00	02	-173	01
AN316-7R	36	10	00	01	-187	02	AN4-11A	27	10	00	03	-004	01
AN316-9R	32	30	00	03	-003	02	AN4-11A	30	40	00	01	-028	01
AN316C5R	32	50	00	01	-177	01	AN4-12	57	60	00	02	-003	03
AN320-3	27	50	00	01	-027	01	AN4-13	27	10	00	03	-031	01
AN320-3	27	50	00	01	-035	01	AN4-13	32	30	00	03	-018	01
AN320-3	32	30	01	01	-007	01	AN4-13A	25	20	05	01	-236	02
AN320-3	32	30	01	02	-006	03	AN4-13A	27	10	02	03	-007	01
AN320-4	27	10	00	01	-050	01	AN4-13A	27	20	01	01	-017	01
AN320-4	32	20	00	01	-012	01	AN4-13A	27	20	01	01	-045	01
AN320-4	32	30	01	01	-003	01	AN4-13A	27	20	01	01	-076	01
AN320-4	32	30	01	02	-016	02	AN4-13A	27	20	02	01	-098	01
AN320-4	32	30	01	02	-033	02	AN4-13A	27	50	01	01	-024	02
AN320-4	57	60	00	02	-095	03	AN4-14	27	10	00	03	-046	01
AN320-6	53	40	00	03	-155	04	AN4-14	27	10	00	04	-007	01
AN320-6	53	40	00	03	-230	04	AN4-14	27	10	00	04	-020	01
AN320-6	71	00	00	01	-007	01	AN4-14	27	20	00	02	-080	01
AN320-7	32	20	00	01	-006	02	AN4-14	27	30	00	01	-102	01
AN386-2-14A	27	20	01	01	-014	01	AN4-14A	27	30	02	02	-084	01
AN386-2-17A	27	20	01	01	-042	01	AN4-14A	29	10	00	02	-076	04
AN3C3	28	20	00	01	-018	07	AN4-15	32	30	00	03	-048	01
AN3C3A	26	10	00	01	-010	12	AN4-16	53	10	01	01	-003	04
AN3C3A	28	10	00	01	-006	02	AN4-16A	25	20	05	01	-230	01
AN3C3A	28	10	00	01	-022	01	AN4-17A	25	20	05	01	-108	02
AN3C3A	29	10	00	01	-017	01	AN4-17A	25	20	05	01	-231	01
AN3C3A	73	10	00	01	-006	01	AN4-20	27	20	00	02	-048	01
AN3C3A	73	10	00	01	-015	01	AN4-20	27	20	00	02	-159	01
AN3C4	29	10	00	01	-103	02	AN4-20	27	30	00	01	-086	01
AN3C4A	25	26	00	01	-076	03	AN4-20A	27	20	02	01	-030	01
AN3C4A	25	26	00	01	-088	03	AN4-22	27	20	00	02	-099	01
AN3C4A	28	20	00	01	-020	03	AN4-22A	27	30	02	02	-078	01
AN3C4A	28	20	00	01	-079	01	AN4-23	27	30	00	01	-022	01
AN3C4A	28	20	00	01	-106	01	AN4-23A	29	10	00	02	-039A	02
AN3C4A	29	10	00	01	-023	01	AN4-23A	29	10	00	02	-042A	02
AN3C5	76	10	01	02	-042	01	AN4-27A	52	10	00	01	-076	01
AN3C5A	28	10	00	01	-025	02	AN4-33A	27	20	02	01	-079	01
AN3C5A	28	10	00	01	-029	03	AN4-4	38	30	00	01	-092	01
AN3C5A	71	60	00	01	-082	03	AN4-46	27	70	00	01	-020	01
AN3C6A	29	10	00	01	-023A	01	AN4-4A	29	10	00	02	-003	04
AN3H10A	27	60	00	01	-004	01	AN4-5	38	30	00	01	-099	02
AN3H17A	52	10	01	01	-028	01	AN4-5	38	30	00	01	-117	02
AN3H20A	52	10	01	01	-107	01	AN4-5A	25	20	05	01	-115	02
AN3H23A	52	10	01	01	-091	01	AN4-5A	26	20	00	01	-002	03
AN3H3A	21	30	00	01	-012	01	AN4-5A	27	20	00	02	-033	01
AN3H4A	27	50	01	01	-010	03	AN4-5A	32	20	00	01	-019	04
AN3H4A	32	30	00	03	-042	02	AN4-5A	52	60	00	02	-045	01
AN3H5A	32	41	00	03	-158	04	AN4-5A	53	10	00	01	-180	04

CESSNA®  
**MODEL 525 (SERIALS -0685 AND -0800 AND ON)**  
 ILLUSTRATED PARTS CATALOG

PART NUMBER	CH	SEC	SUBJ	FIG	ITEM	REQ	PART NUMBER	CH	SEC	SUBJ	FIG	ITEM	REQ
AN4-6A	27	20	01	01	-088	04	AN525-832R10	53	11	00	01A	-076	10
AN4-6A	27	20	01	01	-091	11	AN525-832R10	53	11	00	02A	-104	04
AN4-6A	27	20	01	01	-092	12	AN525-832R11	53	11	00	01A	-036	01
AN4-6A	27	20	01	01	-155	02	AN525-832R11	53	11	00	01A	-077	01
AN4-6A	32	41	00	03	-015	03	AN525-832R11	53	11	00	01A	-095	02
AN4-6A	53	10	00	04	-023	02	AN525-832R7	25	20	01	02	-013	06
AN4-7	32	50	00	01	-013	01	AN525-832R7	25	20	05	01	-456	02
AN4-7	32	50	00	01	-155	01	AN525-832R7	25	70	00	02	-024	05
AN4-7A	27	20	00	02	-007	01	AN525-832R7	25	70	00	02	-028	03
AN4-7A	32	30	00	03	-024	01	AN525-832R7	53	11	00	01	-094	16
AN42B13A	27	70	00	01	-163	01	AN525-832R7	53	11	00	01	-102	16
AN42B3A	27	70	00	01	-164	01	AN525-832R7	53	11	00	01A	-019	16
AN4C10A	28	20	00	01	-089	01	AN525-832R7	53	11	00	01A	-096	05
AN4C12A	28	20	00	01	-090	01	AN525-832R7	53	11	00	01A	-102	16
AN4C5A	21	50	02	01	-002	04	AN525-832R7	53	11	00	02	-012	10
AN4C5A	71	00	00	01	-020	06	AN525-832R7	53	11	00	02	-035	04
AN4C6A	28	20	00	01	-011	10	AN525-832R7	53	11	00	02	-050	08
AN4C7A	28	20	00	01	-088	02	AN525-832R7	53	11	00	02	-079	12
AN4H10A	27	20	00	02	-040	01	AN525-832R7	53	11	00	02	-097	15
AN4H11A	27	10	00	04	-034	01	AN525-832R7	53	11	00	02	-103	10
AN4H15A	27	30	00	01	-012	01	AN525-832R7	53	11	00	02A	-011	10
AN4H15A	27	70	00	01	-082	01	AN525-832R7	53	11	00	02A	-025	06
AN4H16A	32	30	00	02	-002	02	AN525-832R7	53	11	00	02A	-029	04
AN4H16A	32	30	00	04	-037	02	AN525-832R7	53	11	00	02A	-079	12
AN4H16A	32	30	01	04	-010	02	AN525-832R7	53	11	00	02A	-093	15
AN4H20A	27	70	00	01	-087	01	AN525-832R7	53	11	00	02A	-099	14
AN4H26A	27	70	00	01	-077	01	AN525-832R7	53	11	00	02A	-103	04
AN4H27A	27	60	00	01	-021	01	AN525-832R7	53	11	00	02A	-115	01
AN5-10A	32	50	00	01	-026	01	AN525-832R7	53	11	00	03	-008	03
AN5-10A	32	50	00	01	-098	01	AN525-832R7	53	11	00	03	-025	08
AN5-25A	25	20	05	01	-080	01	AN525-832R7	76	10	01	03	-019	08
AN5-34A	27	30	01	01	-094	01	AN525-832R8	23	10	02	01	-006	02
AN5-55	32	40	00	02	-005	01	AN525-832R8	25	10	02	02	-003	02
AN5-5A	24	50	02	05	-015	04	AN525-832R8	25	10	02	02	-008	01
AN503-8-10	32	41	00	03	-080	02	AN525-832R8	25	10	02	02	-021	02
AN509-10-10	52	10	00	02	-168	02	AN525-832R8	25	10	02	02	-077	02
AN509-10-9	52	10	00	02	-154	02	AN525-832R8	25	10	02	02	-152	03
AN509-10R6	53	20	04	01	-014	01	AN525-832R8	25	10	02	02	-174	02
AN509-8-6	53	20	04	01	-118	01	AN525-832R8	53	11	00	01	-090	01
AN509-8-6	76	10	01	03	-015	01	AN525-832R8	53	11	00	01A	-023	03
AN509C10-10	56	10	00	01	-097	03	AN525-832R8	53	11	00	01A	-032	02
AN509C10-7	56	10	00	01	-091	02	AN525-832R8	53	11	00	01A	-051	02
AN509C10-8	56	10	00	01	-079	18	AN525-832R8	53	11	00	01A	-081	01
AN509C10-8	56	10	00	01	-093	04	AN525-832R8	53	11	00	01A	-088	02
AN509C10-9	56	10	00	01	-095	08	AN525-832R8	53	11	00	01A	-097	02
AN525-10R11	25	20	05	01	-304	03	AN525-832R8	53	20	04	01	-038	04
AN525-10R11	25	20	05	01	-457	01	AN525-832R8	53	20	04	01	-042	06
AN525-10R12	25	20	02	02	-109	02	AN525-832R9	53	11	00	01A	-040	04
AN525-10R12	27	20	02	01	-086	01	AN525-832R9	53	11	00	02A	-026	04
AN525-10R12	27	30	02	01	-021	01	AN525-8R8	53	30	00	01	-020	11
AN525-10R12	76	10	01	02	-106	01	AN525-8R8	53	30	00	01	-077	13
AN525-10R14	25	26	00	01	-017	02	AN525-8R8	53	30	00	01	-080	10
AN525-10R16	35	30	00	02	-003	04	AN525-8R8	53	30	00	01	-089	22
AN525-10R22	32	41	00	01	-053	01	AN525-8R8	53	30	00	01	-092	31
AN525-10R6	25	20	05	01	-336	02	AN525-8R8	53	30	00	01	-097	03
AN525-10R7	25	20	05	01	-344	06	AN525-8R8	53	30	00	03	-006	22
AN525-10R8	25	20	05	01	-267	06	AN525-8R8	53	30	00	03	-011	19
AN525-10R8	25	20	05	01	-333	04	AN525-8R8	53	30	00	03	-014	29
AN525-10R9	55	30	00	01	-024	30	AN525-8R8	53	30	00	03	-018	06
AN525-10R9	55	30	00	01	-028	31	AN525-8R8	53	30	00	03	-021	05
AN525-832-R7	53	11	00	02	-022	15	AN525-8R8	53	30	00	03	-039	02
AN525-832R10	53	11	00	01A	-035	12	AN565D4H3	27	10	01	01	-014	02

CESSNA®  
**MODEL 525 (SERIALS -0685 AND -0800 AND ON)**  
 ILLUSTRATED PARTS CATALOG

PART NUMBER	CH	SEC	SUBJ	FIG	ITEM	REQ	PART NUMBER	CH	SEC	SUBJ	FIG	ITEM	REQ
AN565D4L2	32	30	00	03	-007	01	AN816-2	21	50	01	01	-030	01
AN5H23A	27	50	00	02	-022	01	AN818-10D	29	10	00	01	-251	01
AN6-7A	24	50	04	01	-008	01	AN818-10D	36	10	00	03	-088	01
AN6237-1	32	41	01	01	-020	01	AN818-4J	30	40	00	01	-188	01
AN6240-1	32	41	01	01	-019	01	AN818-6	36	10	00	03	-026	01
AN6287-1	32	41	00	01	-108	NP	AN818-6D	21	50	00	01	-027	02
AN6289D12	28	20	00	01	-003	02	AN818-6D	32	30	00	02	-086	01
AN6289D4	32	30	02	01	-029	02	AN818-6D	32	30	01	04	-041	02
AN6289D4	32	41	00	01	-015	04	AN821-4D	27	50	01	01	-020	02
AN6289D4	32	41	00	03	-195	01	AN821-4D	27	50	01	01	-077	02
AN6289D4	32	41	00	05	-003	01	AN821-4D	27	60	00	02	-008	04
AN6289D5	35	00	00	01	-087	01	AN821-4D	34	11	00	01	-043	01
AN6289D6	28	20	00	01	-044	02	AN821-5D	35	20	00	01	-005	01
AN6289D6	32	41	00	01	-084	01	AN821-6D	32	30	00	02	-043	02
AN6289D6	32	41	00	03	-088	01	AN821-6D	32	41	00	03	-032	01
AN6289D6	36	10	00	03	-082	01	AN821-8D	21	50	00	01	-003	01
AN735-24	36	10	00	01	-157	03	AN821-8D	21	50	00	01	-016	01
AN735-24	36	10	00	02	-004	01	AN824-10D	29	10	00	01	-179	01
AN735-4	36	10	00	01	-156	03	AN824-10D	30	10	00	01	-087	03
AN735-4	36	10	00	02	-003	01	AN824-4D	27	50	01	01	-005	02
AN735-7	36	10	00	03	-032	01	AN824-4D	27	60	00	02	-005	02
AN735-7	52	10	00	01	-009	01	AN824-4D	32	30	02	01	-005	01
AN735D12	28	10	00	01	-005	01	AN824-4D	32	41	00	05	-037	01
AN735D22	32	30	01	04	-096	01	AN824-4D	36	10	00	01	-153	01
AN735D36	32	30	00	02	-093	02	AN824-5D	35	10	00	01	-002	02
AN737TW22	30	10	00	01	-154	04	AN827-6D	32	30	00	02	-181	01
AN737TW38	30	10	00	01	-012	02	AN832-10D	36	10	00	01	-098	04
AN737TW44	30	40	00	03	-002	04	AN832-10J	29	10	00	01	-079	02
AN737TW48	36	10	00	01	-084	02	AN832-12J	28	20	00	02	-022	02
AN737TW56	30	10	00	01	-022	01	AN832-4	21	30	00	01	-020	01
AN737TW56	36	10	00	01	-083	02	AN832-4D	21	10	00	01	-012	01
AN737TW82	30	10	00	01	-028	06	AN832-4D	27	50	01	01	-100	06
AN742-4	30	40	00	02	-013	01	AN832-4D	27	60	00	02	-108	02
AN742D24	21	10	00	01	-019	02	AN832-4D	30	40	00	02	-009	01
AN742D24	21	20	01	01	-015	01	AN832-4D	32	30	01	03	-003	02
AN742D24	30	40	00	03	-094	01	AN832-4D	32	30	01	04	-004	01
AN742D3	30	40	00	01	-096	02	AN832-4D	32	30	02	01	-012	02
AN742F4	26	10	00	01	-002	28	AN832-4D	32	41	00	01	-033	01
AN743-12	27	70	00	01	-008	01	AN832-4D	32	41	00	05	-020	02
AN743-12	32	30	00	04	-010	01	AN832-4D	32	41	00	05	-081	04
AN743-13	27	50	01	01	-099	01	AN832-4D	32	41	01	01	-026	01
AN743-13	33	40	00	03	-014	02	AN832-4D	36	10	00	01	-198	01
AN743-13	57	10	00	03	-156	06	AN832-5D	36	10	00	03	-009	01
AN743-13	57	10	00	03	-247	01	AN832-6D	28	20	00	01	-043	04
AN743-13	57	20	03	01	-021	08	AN832-6D	32	30	00	02	-169	01
AN743-13	57	20	03	01	-084	06	AN832-6D	32	30	01	03	-004	02
AN743-13	57	50	00	01	-006	04	AN832-6D	32	30	02	01	-006	01
AN743-13	57	50	01	01	-005	01	AN832-6D	32	41	00	02	-022	02
AN743C12	28	20	00	02	-043	02	AN832-6D	32	41	00	04	-002	02
AN743P13	71	60	00	01	-096	01	AN832-6D	34	11	00	02	-097	01
AN783D4	36	10	00	02	-011	01	AN832-6D	36	10	00	03	-079	01
AN784D6	32	30	00	02	-190	01	AN832-6J	28	20	00	02	-019	02
AN784D6	32	41	01	01	-006	01	AN833-10D	29	10	00	02	-024	06
AN8-22	57	00	00	01	-007	01	AN833-12	73	10	00	01	-017A	01
AN804D10	21	50	00	01	-018	01	AN833-12J	73	10	00	01	-017	01
AN804D10	30	10	00	01	-081	01	AN833-3D	36	10	00	01	-176	02
AN804D6	21	50	00	01	-022	01	AN833-4J	30	40	00	02	-012	01
AN804D6	32	30	00	02	-188	01	AN833-5D	35	00	00	01	-085	01
AN804D6	32	30	01	04	-036	01	AN833-6D	28	20	00	01	-048	02
AN804D6	34	11	00	02	-010	01	AN833-6D	32	41	00	01	-151	02
AN806-D10	36	10	00	03	-092	01	AN833-6D	32	41	00	03	-087	01
AN807-4D	36	10	00	03	-031	01	AN833-6D	32	41	00	04	-013	06

CESSNA®  
**MODEL 525 (SERIALS -0685 AND -0800 AND ON)**  
 ILLUSTRATED PARTS CATALOG

PART NUMBER	CH	SEC	SUBJ	FIG	ITEM	REQ	PART NUMBER	CH	SEC	SUBJ	FIG	ITEM	REQ
AN833-6D	34-11-00-02				-092	01	AN924-5D	36-10-00-03				-010	01
AN834-4D	27-50-01-01				-022	01	AN924-6D	21-50-00-01				-023	01
AN834-4D	32-41-00-01				-002	01	AN924-6D	21-60-00-01				-009	01
AN834-4D	36-10-00-01				-160	02	AN924-6D	28-20-00-01				-049	04
AN834-6D	29-10-00-01				-263	01	AN924-6D	29-10-00-01				-247	02
AN837-10D	29-10-00-01				-167	02	AN924-6D	32-30-00-02				-047	02
AN837-12D	29-10-00-01				-171	01	AN924-6D	32-30-00-02				-098	02
AN837-4D	32-30-02-01				-047	01	AN924-6D	32-30-00-02				-170	02
AN837-4D	32-41-00-01				-048	02	AN924-6D	32-30-01-03				-008	02
AN837-4D	32-41-00-05				-106	02	AN924-6D	32-30-01-04				-038	01
AN837-6D	32-41-00-01				-083	01	AN924-6D	32-30-02-01				-007	01
AN837-6D	32-41-00-04				-042	02	AN924-6D	32-41-00-01				-105	01
AN837-6D	36-10-00-01				-103	01	AN924-6D	32-41-00-01				-150	02
AN837-8D	30-10-00-01				-096	02	AN924-6D	32-41-00-02				-024	02
AN838-6D	38-30-00-01				-154	01	AN924-6D	32-41-00-04				-015	10
AN839-16D	30-40-00-03				-025	02	AN924-6D	32-41-01-01				-011	01
AN841-6D	30-10-00-01				-110	02	AN924-6D	34-11-00-02				-012	01
AN841-6D	38-30-00-01				-158	01	AN924-6D	34-11-00-02				-093	02
AN893-19D	36-10-00-01				-106	01	AN924-6D	36-10-00-01				-104	01
AN893-20D	36-10-00-01				-096	01	AN924-6D	38-30-00-01				-156	02
AN893-2D	30-10-00-01				-111	02	AN924-6D	53-20-00-01				-164	01
AN894D10-8	21-50-00-01				-017	01	AN924-6J	28-20-00-02				-021	02
AN894D4-3	36-10-00-01				-173	02	AN924-8D	28-20-00-01				-104	01
AN894D6-4	21-50-00-01				-025	01	AN929-4	30-40-00-03				-092	01
AN911-1D	36-10-00-03				-014	01	AN929-6	36-10-00-01				-105	01
AN919-6D	29-10-00-01				-254	01	AN929-L4	21-30-00-01				-017	01
AN919-6D	32-30-00-02				-034	02	AN929A20	53-20-00-01				-161	01
AN921-10D	36-10-00-03				-090	01	AN929A6	53-20-00-01				-165	01
AN921-4D	32-41-00-05				-002	01	AN937D10	36-10-00-01				-109	02
AN921-6D	32-30-00-02				-046	02	AN938-4	79-30-00-01				-003	02
AN921-6D	32-30-00-02				-097	02	AN938-6D	36-10-00-03				-077	01
AN924-10D	21-50-00-01				-019	01	AN938-6D	36-10-00-03				-094	01
AN924-10J	29-10-00-01				-080	02	AN938D10	36-10-00-01				-099	01
AN924-12	73-10-00-01				-018A	01	AN938D12	29-10-00-01				-088	01
AN924-12D	28-20-00-01				-055	02	AN938D4	36-10-00-01				-167	02
AN924-12D	29-10-00-01				-172	01	AN938D4	36-10-00-03				-028	01
AN924-12J	28-20-00-02				-024	02	AN938D6	30-10-00-01				-108	02
AN924-12J	73-10-00-01				-018	01	AN939D4	32-41-01-01				-025	01
AN924-16	36-10-00-01				-090	02	AN939D6	38-30-00-01				-157	01
AN924-16D	28-20-00-01				-015	06	AN961-10T	57-60-00-02				-176	01
AN924-16D	30-40-00-03				-023	02	AN961-6T	55-20-00-01				-187	01
AN924-3D	36-10-00-01				-178	NP	AN961-6T	57-60-00-01				-036	01
AN924-3W	36-10-00-01				-178A	02	AN961-6T	57-60-00-02				-175	01
AN924-4D	21-10-00-01				-014	01	AN970-3	30-40-00-01				-083	01
AN924-4D	27-50-01-01				-014	02	AN970-3	55-40-00-01				-030	03
AN924-4D	27-50-01-01				-102	04	AN970-3	71-60-00-01				-083	03
AN924-4D	27-60-00-02				-109	02	AN970-4	25-20-05-01				-109	02
AN924-4D	28-20-00-01				-086	02	AN970-5	25-20-05-01				-082	02
AN924-4D	30-40-00-02				-011	02	AN975-3	27-20-01-01				-015	01
AN924-4D	32-30-01-03				-007	02	AN975-3	27-20-01-01				-043	01
AN924-4D	32-30-01-04				-005	05	ANL-100	24-50-02-01				-020	02
AN924-4D	32-30-01-04				-077	01	ANL-100	24-50-02-02				-084A	01
AN924-4D	32-30-02-01				-014	04	ANL-100	24-50-02-02				-116A	01
AN924-4D	32-41-00-01				-005	07	ANL-60	24-50-02-02				-085A	01
AN924-4D	32-41-00-01				-096	01	ANL-60	24-50-02-02				-086A	01
AN924-4D	32-41-00-05				-009	03	ANL-80	24-50-02-01				-021	01
AN924-4D	32-41-00-05				-083	12	ANL100	24-50-02-02				-084	01
AN924-4D	32-41-01-01				-029	01	ANL100	24-50-02-02				-116	01
AN924-4D	34-11-00-01				-035	01	ANL225	24-50-02-01				-022	01
AN924-4D	36-10-00-01				-162	02	ANL225	24-50-02-02				-075	01
AN924-4D	36-10-00-03				-029	02	ANL225	24-50-02-02				-080	01
AN924-5D	28-40-01-01				-003	01	ANL60	24-50-02-01				-023	01

CESSNA®  
**MODEL 525 (SERIALS -0685 AND -0800 AND ON)**  
 ILLUSTRATED PARTS CATALOG

PART NUMBER	CH SEC SUBJ FIG	ITEM	REQ	PART NUMBER	CH SEC SUBJ FIG	ITEM	REQ
ANL60	24-50-02-02	-085	01	AS5172D0406L	32-41-00-03	-038	01
ANL60	24-50-02-02	-086	01	AS5174-0402	73-10-00-01	-025	02
ANL80	24-50-02-02	-076	01	AS5174-0404	73-10-00-01	-027	02
ANL80	24-50-02-02	-078	01	AS5174-0404	79-30-00-01	-004	02
ANL80	24-50-02-02	-079	01	AS5174-0606	73-10-00-01	-002A	02
ANL80	24-50-02-02	-081	01	AS5174-0606	73-10-00-01	-003	01
ANL80	24-50-02-02	-082	01	AS5174-0606	73-10-00-01	-012A	01
ANL80	24-50-02-02	-083	01	AS5174-0806	29-10-00-01	-007	02
AP	11-00-00-01	-088	AR	AS5174-0808	29-10-00-01	-025	02
APC76268-2	24-50-02-02	-092	01	AS5174-1010	29-10-00-01	-009	04
APC76268-2	24-50-02-02	-094	01	AS5174-1212	73-10-00-01	-022	01
ARB4EDUS	32-30-01-02	-038	01	AS5174D0202	32-41-00-03	-094	03
ARBL-4EDUS	32-30-01-02	-020	01	AS5174D0402	32-41-00-03	-091	01
ARR4FFNH	27-30-01-01	-156	02	AS5174D0402	36-10-00-02	-012	01
ARYT3E104W	27-60-00-01	-008	01	AS5174D0404	27-50-01-01	-002	03
ARYTL3E104W	27-60-00-01	-009	01	AS5174D0404	27-50-01-01	-081	03
AS1035D060610	29-10-00-01	-125	01	AS5174D0404	27-60-00-02	-002	04
AS1035W040404	34-11-00-01	-018	01	AS5174D0404	27-60-00-02	-076	08
AS1035W060606	34-11-00-02	-028	01	AS5174D0404	30-40-00-02	-021	01
AS1035W060606	34-11-00-02	-090	01	AS5174D0404	32-30-01-03	-024	02
AS1037J0806	29-10-00-01	-110	02	AS5174D0404	32-30-01-04	-021	02
AS1038W0404	27-50-01-01	-013	01	AS5174D0404	32-30-01-04	-082	01
AS1038W0404	32-30-01-04	-006	04	AS5174D0404	32-30-02-01	-002	04
AS1038W0404	32-30-01-04	-076	01	AS5174D0404	32-41-00-03	-004	02
AS1038W0404	32-30-02-01	-026	02	AS5174D0404	32-41-00-05	-032	03
AS1038W0404	32-41-00-01	-032	04	AS5174D0404	32-41-00-05	-107	02
AS1038W0404	32-41-00-03	-194	01	AS5174D0404	32-41-01-01	-024	01
AS1038W0404	32-41-00-05	-007	02	AS5174D0404	34-11-00-01	-022	01
AS1038W0404	32-41-00-05	-088	06	AS5174D0404	71-70-00-01	-002	01
AS1038W0404	36-10-00-01	-170	02	AS5174D0504	30-10-00-01	-026	02
AS1038W0404	36-10-00-01	-184	01	AS5174D0504	35-20-00-01	-008	01
AS1038W0404V	34-11-00-01	-033	01	AS5174D0505	30-10-00-01	-025	02
AS21919WDG12	25-30-00-01	-034	01	AS5174D0505	35-00-00-01	-089	01
AS21919WDG12	25-30-00-02	-015	01	AS5174D0505	35-10-00-01	-016	04
AS3582-011	36-10-00-01	-151	02	AS5174D0602	36-10-00-03	-051	01
AS3582-012	36-10-00-01	-161	06	AS5174D0602	36-10-00-03	-095	01
AS3582-012	36-10-00-02	-013	01	AS5174D0604	32-30-02-01	-009	01
AS3582-014	21-20-01-01	-027	01	AS5174D0604	32-41-00-03	-044	01
AS3582-014	30-40-00-03	-050	01	AS5174D0604	32-41-01-01	-021	01
AS3582-015	38-31-00-01	-005	01	AS5174D0606	28-20-00-02	-011	04
AS3582-016	36-10-00-01	-163	02	AS5174D0606	29-10-00-01	-123	02
AS3582-018	36-10-00-01	-177	02	AS5174D0606	29-10-00-02	-012	01
AS3582-214	21-30-00-02	-003	02	AS5174D0606	29-10-00-02	-027	01
AS3582-222	30-40-00-03	-030	18	AS5174D0606	32-30-00-02	-088	02
AS4407D0404	32-41-00-03	-002	01	AS5174D0606	32-30-00-02	-175	02
AS4407D0404	34-11-00-01	-017	03	AS5174D0606	32-30-01-03	-025	02
AS4407D0606	29-10-00-01	-249	02	AS5174D0606	32-41-00-01	-089	01
AS4407D0606	34-11-00-02	-095	01	AS5174D0606	32-41-00-01	-155	01
AS4407D0808	29-10-00-01	-242	01	AS5174D0606	32-41-00-02	-008	08
AS4407D1008	21-50-00-01	-021	01	AS5174D0606	32-41-00-03	-025	02
AS4407D1010	29-10-00-01	-168	01	AS5174D0606	32-41-00-03	-111	02
AS4407D1010	29-10-00-01	-226	03	AS5174D0606	32-41-01-01	-001	02
AS4409D0404	32-41-00-05	-038	01	AS5174D0606	34-11-00-02	-005	04
AS4854W01	36-10-00-03	-016	01	AS5174D0606	34-11-00-02	-100	01
AS4857D01	35-00-00-01	-033	01	AS5174D0606	36-10-00-03	-045	02
AS5169D04	36-10-00-01	-168	02	AS5174D0606	36-10-00-03	-076	04
AS5169D04L	32-41-00-03	-169	01	AS5174D0806	30-10-00-01	-109	02
AS5169D06	30-40-00-03	-046	01	AS5174D1004	36-10-00-01	-150	02
AS5169D08L	29-10-00-02	-010	01	AS5174D1006	36-10-00-01	-100	01
AS5169D10L	30-40-00-02	-029	01	AS5174D1008	29-10-00-01	-176	01
AS5169D10L	32-41-02-01	-006	01	AS5174D1008	30-10-00-01	-093	02
AS5172D0406L	30-10-00-01	-111A	02	AS5174D1010	29-10-00-01	-265	01

CESSNA®  
**MODEL 525 (SERIALS -0685 AND -0800 AND ON)**  
 ILLUSTRATED PARTS CATALOG

PART NUMBER	CH SEC SUBJ FIG	ITEM	REQ	PART NUMBER	CH SEC SUBJ FIG	ITEM	REQ
AS5174D1010	29-10-00-02	-006	02	C2959S4Q	32-41-00-03	-181	01
AS5174D1210	29-10-00-01	-090	02	C3-12-03	25-22-00-01	-008	02
AS5174D1212	26-20-00-01	-010	02	C3-12-03	38-30-00-01	-177	02
AS5174D1212	28-10-00-01	-016	02	C3-12-10	25-20-02-02	-012	03
AS5174D1212	28-20-00-01	-054	02	C3-12-10	25-20-02-02	-085	04
AS5174D1212	28-20-00-02	-005	02	C3-12-10	25-20-02-02	-086	06
AS5174D1212	29-10-00-01	-089	01	C3-203	25-10-02-03	-099	02
AS5174J0504	79-30-00-01	-009	02	C3-77	38-30-00-01	-181	02
AS5174J0606	73-10-00-01	-002	02	C3-97	25-20-02-01	-004	01
AS5174J1212	73-10-00-01	-012	01	C596501-0103	23-50-00-01	-015	02
AS5178J08	29-10-00-01	-111	02	C596502-0202	23-50-00-01	-014	02
AS5178J08	29-10-00-01	-244	01	C6	11-00-00-01	-007	AR
AS5178W10	28-10-00-01	-040	01	C660501-0301	34-20-00-01	-001	01
AS5178W10	29-10-00-01	-169	01	C664503-0104	31-30-00-01	-001	01
AS5178W10	29-10-00-01	-237	01	C992720	23-10-00-01	-015	AR
AS5178W10	29-10-00-02	-025	06	CAB602	23-50-00-03	-004	01
AS5178W10	30-10-00-01	-082	01	CB3019AA3N	21-21-01-01	-003	02
AS5178W10	32-41-02-01	-004	01	CB3019AA3N750	24-50-02-02	-077	02
AS5178W10	36-10-00-03	-091	01	CB6008CR3-4P	53-21-00-01	-019	01
AS5194-0202	21-50-01-01	-031	01	CB6008CR3-4P	53-21-00-01	-033	01
AS5194D0202	21-50-02-01	-083	01	CB6011CR08CRC1P	25-10-02-03	-080	08
AS5194D0202	36-10-00-03	-084	01	CB6012CR08CRC1-7	25-10-02-03	-081	04
AS5194D0402	36-10-00-03	-017	02	CC	11-00-00-01	-022	AR
AS5194D0502	35-20-00-01	-002	01	CF	11-00-00-01	-020	AR
AS5195W0502	35-10-00-01	-004	03	CH6714-1	25-10-02-01	-023	02
ASMS-A-T	53-20-00-01	-039A	05	CHS632-6	25-10-02-03	-015	02
ASMS-A-T	53-20-00-02	-005	13	CHS632-6	25-20-02-01	-005	02
ASMS-A-T	53-40-00-03	-088	04	CI428-410	34-61-05-01	-017	01
ASMS-A-T	54-50-00-02	-028	02	CI428-410	34-61-05-01	-018	01
ASMS-A-T	57-50-00-01	-110	02	CL-3-BPDR-3.20	52-20-00-01	-019	01
ASR4-401	27-30-00-02	-051	01	CL41SPS1	52-10-01-01	-196	01
ASR4-401	55-10-00-01	-025	01	CL71SPS1	52-60-00-02	-048	02
AV267404	21-21-01-01	-017	06	CLC500-01	33-20-00-01	-009	01
AV267404	25-10-02-03	-018	02	CLE221-02	33-20-00-01	-008	02
B	11-00-00-01	-023	AR	CLE236-02	33-20-00-01	-007	06
B2016	27-20-01-01	-169	01	CLECLP-100	25-20-02-02	-010	08
B20P-75-0150SS	80-10-00-01	-011	01	CM2-80AST	25-30-00-03	-105	01
B435-1	21-21-00-03	-020	02	CM2609-2	21-30-00-01	-007	02
B435-1	21-21-00-03	-033	01	CM2679-1	38-30-00-01	-198	02
B435-1	21-21-00-03	-034	02	CM2692-15-1S	24-50-02-04	-170	AR
BA4000	23-10-02-01	-018	02	CM2692-15P1S	24-50-01-01	-003	AR
BCP4W10	30-40-00-01	-033	01	CM2692-15P1S	24-50-01-02	-005	AR
BGL200-01	33-30-00-01	-001	01	CM2692-20J2S	27-10-02-02	-023	01
BGL200-01	33-30-00-02	-001	01	CM2692-24-2S	52-60-00-02	-007	06
BH	11-00-00-01	-041	AR	CM2692-24J1S	27-10-00-02	-024	02
BI2-EG08-AN6X	27-30-02-01	-007	01	CM2692-24J2S	27-10-00-02	-017	02
BK	11-00-00-01	-042	AR	CM2692-28-4S	52-60-00-02	-014	03
BL	11-00-00-01	-043	AR	CM2692-28J1S	53-10-00-01	-018	01
BLC5BA11SL6C7	25-20-05-01	-247	04	CM2791-2	71-10-00-01	-007	24
BRE5380	32-50-00-01	-176	NP	CM2791-2	71-10-00-01	-041	37
BTF101	25-10-02-02	-016A	01	CM2791-2	71-10-00-01	-173	10
BWT10-3160160D	30-40-00-03	-014	01	CM2909-6-150	21-20-00-02	-003	02
BWT7750-6	21-20-01-02	-025	02	CM2916-400	24-30-01-01	-017	01
C	11-00-00-01	-019	AR	CM2921-3	35-00-00-01	-094	03
C-12406-5	34-25-00-01	-014	01	CM2921-3	35-10-00-01	-012	03
C1-3	27-20-02-02	-006	01	CM2933-7	34-11-00-02	-014	01
C100-3	31-10-00-01	-079	01	CM2933-7	34-11-00-02	-015	01
C100-3	32-30-00-01	-028	01	CM2933-7	34-11-00-02	-085	01
C12417-2	34-25-00-01	-008	01	CM2933-7	34-11-00-02	-086	01
C12421-1	34-25-00-01	-016	01	CM2944-4-24.00	34-11-00-01	-007	01
C12463-3	34-25-00-01	-001	01	CM2944-6-18	34-11-00-02	-002	01
C166007-0108	35-00-00-01	-010	01	CM2944-6-22.00	34-11-00-02	-120	01

CESSNA®  
**MODEL 525 (SERIALS -0685 AND -0800 AND ON)**  
 ILLUSTRATED PARTS CATALOG

PART NUMBER	CH SEC SUBJ FIG	ITEM	REQ	PART NUMBER	CH SEC SUBJ FIG	ITEM	REQ
CM2949-120	21-50-01-01	-014	02	D9	21-21-00-01	-032	01
CM3211-16B18.5	21-20-01-01	-019	AR	D9	21-50-02-01	-086	01
CM3213-10-2.60	36-10-00-01	-043	02	DC32S	23-30-00-01	-005	01
CM3213-12	21-20-00-01	-009	AR	DCMC603U050BC2B	24-20-00-03	-005	01
CM3213-12	21-20-00-03	-010	AR	DCMC603U050BC2B	24-20-00-03	-006	01
CM3213-12-2.25	21-21-00-01	-002	AR	DDA06527-3	71-10-00-01	-077A	01
CM3213-12-2.75	30-40-00-03	-109	AR	DDA06527-4	71-10-00-01	-078	01
CM3213-16	21-10-00-01	-034	AR	DDA06549-1	54-10-00-01	-005	01
CM3213-16	21-20-00-01	-013	AR	DDA06613-1	21-50-01-01	-013A	01
CM3213-16	21-20-01-01	-011	AR	DDA06624-1	73-10-00-01	-013	01
CM3213-16	30-40-00-03	-113	01	DDA06625-1	71-10-00-01	-169	01
CM3224-5	27-30-01-01	-080	01	DDA06625-2	71-10-00-01	-170	01
CM3509-1	35-00-00-01	-027	01	DDA06625-3	71-10-00-01	-150	01
CM3558-4-10B	31-30-00-01	-002	02	DDA06625-4	71-10-00-01	-151	01
CM3558-4-8B	33-10-00-01	-009	05	DEC-1-C	25-20-05-01	-076	01
CM3558-4-9B	25-10-02-02	-018	01	DEC-1-C	25-20-05-01	-094	01
CM3558-4-9G	25-21-00-02	-093	01	DEC-1-C	25-20-05-01	-159	01
CM3558-6-10B	31-10-00-01	-024	02	DEC-1-C	25-20-05-01	-322	03
CM3558-6-10B	33-10-00-01	-012	04	DEC-1-C1	25-20-05-01	-174	12
CM3558-6-10B	76-10-01-03	-002	04	DEC-1-C1	25-20-05-01	-314	01
CM3558-6-12B	31-10-00-01	-094	04	DGSC20-02	34-30-00-01	-006	01
CM3558-6-12B	31-10-00-01	-097	04	DH125E-FN-N42	25-20-05-01	-258	12
CM3558-6-12B	31-10-00-01	-151	08	DMB20-20	34-30-10-01	-008	01
CM3558-6-12B	31-10-00-01	-162	06	DMS250-01	44-20-00-01	-001	01
CM3558-6-16B	31-10-00-01	-002	06	DQ	11-00-00-01	-033	AR
CM3558-6-16B	31-10-00-01	-076	06	E2-9	27-10-02-02	-054	02
CM3558-6-16B	32-30-00-01	-004	04	EC	11-00-00-01	-107	AR
CM3570-16	21-21-00-02	-081	01	EGFM-16 T-UW	25-20-05-01	-020	02
CM3570-20	21-20-01-02	-022	01	EGFM-16 T-UW	25-20-05-01	-391	06
CM3575-4	53-23-00-01	-001	03	EI	11-00-00-01	-048	AR
CM3578-1	35-00-00-01	-025	01	EJ	11-00-00-01	-049	AR
CM3594-9-4.0	21-21-00-02	-090	01	EN4S-4FR	23-50-00-01	-017	02
CM3612-12A4.0	21-20-01-02	-075	01	ES	11-00-00-01	-032	AR
CM3612-12B14.0	21-21-00-02	-093	01	ES1250402BG	24-50-01-01	-103	01
CM3612-4A55.0	21-21-00-03	-039	01	ES1250402BG	24-50-01-01	-104	01
CM3657-1	38-30-00-01	-027	16	F	11-00-00-01	-035	AR
CM3682D4	32-41-00-01	-113	01	F000780	25-10-02-02	-082	AR
CM3686D04-04-04	32-41-00-03	-001	02	F000780	25-10-02-02	-157	AR
CM3687D10-10-10	29-10-00-01	-239	01	F990023	25-50-01-01	-013	AR
CM3694D4	32-41-00-01	-014	04	F990248	25-20-00-03	-018	AR
CM3738-6	28-10-00-02	-017	12	F990249	25-20-00-03	-017	AR
CM3753-1	32-41-00-01	-088	01	F990328	25-29-00-01	-003	AR
CM3753-1	32-41-00-03	-086	01	FA4058EEE0140	21-50-00-01	-015A	01
CM3767-1	52-10-01-02	-030	02	FA4058EEE1120	21-50-00-01	-002A	01
CM3866-1	28-10-00-01	-034	24	FA4552HHH1020	21-50-00-01	-004A	01
CM3922-8-7BG	52-30-00-01	-076	03	FBN122-20	52-30-00-02	-022	NP
CM3922-8-7BG	52-30-00-01	-079	02	FC350-06-00230	29-10-00-01	-231	01
CM3922-8-7BG	52-30-00-02	-089	03	FFB56-3	25-22-00-01	-036	01
CN	11-00-00-01	-081	AR	FSD-250	27-20-02-02	-013	01
CR	11-00-00-01	-094	AR	FWA-525-12	21-50-00-01	-029	NP
CR2	25-20-00-01	-008	01	FWA-525-6A	21-50-00-01	-031	NP
CS	11-00-00-01	-095	AR	G	11-00-00-01	-114	AR
CTJ-3D-04	33-00-00-01	-006	01	G-521-1	25-21-01-02	-023	02
CTJ-3D-10-4024	33-00-00-01	-007	01	G4199	32-41-00-01	-112	01
CU	11-00-00-01	-027	AR	GBC300-82	36-10-00-01	-194	01
CV02-193	29-10-00-01	-253	01	GFI-1416-08	25-20-05-01	-023	01
CV02-267	32-41-01-01	-012	01	GH3	53-11-00-02	-003	05
CV38-18	32-30-02-01	-023	01	GH3	53-11-00-02	-085	03
D	11-00-00-01	-036	AR	GH3	53-11-00-02	-089	05
D-68070-A-1	21-50-02-01	-087	01	GH3	53-11-00-02A	-003	05
D113204	21-21-00-01	-034	01	GH3	53-11-00-02A	-085	03
D166-1	21-21-00-01	-033	01	GIF5400-40	28-40-01-01	-001	02

CESSNA®  
**MODEL 525 (SERIALS -0685 AND -0800 AND ON)**  
 ILLUSTRATED PARTS CATALOG

PART NUMBER	CH	SEC	SUBJ	FIG	ITEM	REQ	PART NUMBER	CH	SEC	SUBJ	FIG	ITEM	REQ
GSI-1416-12	25	20	05	01	-091	01	HL10VBJ5-3	55	10	00	01	-032	04
H111F1C65-070M	23	50	00	01	-016	04	HL10VBJ5-3	57	10	00	02	-012	03
H5000-2-072-081	71	10	00	01	-018	NP	HL10VBJ5-3	57	10	00	02	-018	04
HA	11	00	00	01	-044	AR	HL10VBJ5-3	57	10	00	02	-037	04
HB	11	00	00	01	-060	AR	HL10VBJ5-3	57	10	00	02	-081	05
HB	11	00	00	01	-109	AR	HL10VBJ5-3	57	10	00	02	-085	06
HC002-08	38	31	00	01	-003	01	HL10VBJ5-3	57	10	00	02	-094	09
HCTH-4S-180L	25	22	00	01	-044	02	HL10VBJ5-3	57	10	00	02	-098	14
HI	11	00	00	01	-030	AR	HL10VBJ5-3	57	10	00	02	-114	08
HK	11	00	00	01	-024	AR	HL10VBJ5-3	57	10	00	02	-158	06
HL	11	00	00	01	-097	AR	HL10VBJ5-3	57	10	00	02	-177	05
HL10VBJ-5-3	53	21	00	05	-003	30	HL10VBJ5-3	57	10	00	02	-234	04
HL10VBJ-5-4	53	21	00	05	-004	22	HL10VBJ5-3	57	10	00	02	-242	06
HL10VBJ10-14	55	30	01	01	-020	01	HL10VBJ5-3	57	10	00	02	-247	04
HL10VBJ10-15	55	30	01	01	-021	01	HL10VBJ5-3	57	10	00	03	-083	01
HL10VBJ10-7	55	30	00	03	-085	02	HL10VBJ5-3	57	10	00	03	-328	06
HL10VBJ10-7	55	30	00	03	-103	02	HL10VBJ5-4	27	30	02	02	-088	02
HL10VBJ12-16	55	30	01	01	-022	01	HL10VBJ5-4	27	50	00	02	-030	06
HL10VBJ4-2	53	20	00	02	-164	04	HL10VBJ5-4	52	80	00	01	-108	02
HL10VBJ4-3	27	20	02	02	-008	01	HL10VBJ5-4	53	20	08	01	-030	04
HL10VBJ4-3	53	20	00	02	-165	14	HL10VBJ5-4	53	40	00	03	-175	04
HL10VBJ4-3	53	20	01	01	-048	01	HL10VBJ5-4	53	50	00	01	-012	06
HL10VBJ4-4	53	20	00	02	-169	24	HL10VBJ5-4	53	50	00	01	-079	14
HL10VBJ4-5	53	10	00	04	-012	04	HL10VBJ5-4	53	50	00	01	-085	04
HL10VBJ4-6	53	20	00	01	-098	06	HL10VBJ5-4	53	50	00	01	-091	04
HL10VBJ4-9	53	50	00	01	-098	01	HL10VBJ5-4	53	50	00	01	-096	01
HL10VBJ4-9	53	50	00	01	-104	01	HL10VBJ5-4	54	10	00	01	-044	04
HL10VBJ5-10	53	20	08	01	-024	02	HL10VBJ5-4	55	30	00	03	-175	07
HL10VBJ5-10	57	00	00	01	-025	06	HL10VBJ5-4	55	30	01	01	-004	05
HL10VBJ5-10	57	10	00	01	-083	20	HL10VBJ5-4	57	00	00	01	-027	02
HL10VBJ5-11	57	10	00	01	-082	20	HL10VBJ5-4	57	00	00	01	-077	04
HL10VBJ5-12	55	30	00	03	-088	02	HL10VBJ5-4	57	10	00	02	-015	02
HL10VBJ5-12	57	10	00	01	-085	22	HL10VBJ5-4	57	10	00	02	-032	04
HL10VBJ5-13	57	10	00	01	-086	04	HL10VBJ5-4	57	10	00	02	-248	02
HL10VBJ5-18	53	50	00	01	-008	17	HL10VBJ5-4	57	10	00	03	-013	05
HL10VBJ5-18	53	50	00	01	-009	16	HL10VBJ5-4	57	10	00	03	-019	05
HL10VBJ5-19	53	50	00	01	-010	01	HL10VBJ5-4	57	10	00	03	-027	02
HL10VBJ5-2	22	10	00	01	-079	04	HL10VBJ5-4	57	10	00	03	-032	01
HL10VBJ5-2	27	20	00	02	-084	02	HL10VBJ5-4	57	10	00	03	-077	08
HL10VBJ5-2	27	20	00	02	-169	04	HL10VBJ5-4	57	10	00	03	-084	05
HL10VBJ5-2	53	10	00	02	-084	02	HL10VBJ5-4	57	10	00	03	-096	08
HL10VBJ5-2	53	40	00	03	-011	04	HL10VBJ5-4	57	10	00	03	-101	08
HL10VBJ5-2	53	40	00	03	-086	08	HL10VBJ5-4	57	10	00	03	-110	36
HL10VBJ5-2	55	10	00	01	-115	02	HL10VBJ5-4	57	10	00	03	-250	02
HL10VBJ5-2	57	10	00	02	-226	03	HL10VBJ5-4	57	20	03	02	-179	16
HL10VBJ5-2	57	10	00	02	-235	01	HL10VBJ5-5	27	30	02	02	-089	01
HL10VBJ5-2	57	10	00	02	-241	02	HL10VBJ5-5	53	10	00	04	-030	03
HL10VBJ5-2	57	10	00	02	-246	02	HL10VBJ5-5	53	10	00	04	-039	06
HL10VBJ5-3	27	10	00	03	-041	04	HL10VBJ5-5	53	10	00	04	-047	04
HL10VBJ5-3	27	30	00	01	-098	02	HL10VBJ5-5	53	21	00	02	-015	32
HL10VBJ5-3	27	30	02	02	-099	04	HL10VBJ5-5	53	21	00	04	-106	03
HL10VBJ5-3	27	50	00	02	-040	02	HL10VBJ5-5	53	21	00	04	-114	03
HL10VBJ5-3	32	50	00	01	-093	04	HL10VBJ5-5	53	50	00	01	-078	04
HL10VBJ5-3	32	70	00	02	-002	06	HL10VBJ5-5	53	50	00	01	-084	06
HL10VBJ5-3	52	80	00	01	-107	02	HL10VBJ5-5	53	50	00	01	-090	08
HL10VBJ5-3	53	10	00	02	-080	02	HL10VBJ5-5	53	50	00	01	-095	04
HL10VBJ5-3	53	10	00	04	-009	03	HL10VBJ5-5	55	10	00	01	-012	04
HL10VBJ5-3	53	50	00	01	-002	12	HL10VBJ5-5	55	10	00	01	-019	03
HL10VBJ5-3	53	50	00	01	-013	06	HL10VBJ5-5	55	30	01	01	-002	13
HL10VBJ5-3	53	50	00	01	-080	12	HL10VBJ5-5	57	00	00	01	-026	06
HL10VBJ5-3	53	50	00	01	-086	02	HL10VBJ5-5	57	00	00	01	-076	18
HL10VBJ5-3	54	10	00	01	-043	04	HL10VBJ5-5	57	10	00	03	-005	05



CESSNA®  
**MODEL 525 (SERIALS -0685 AND -0800 AND ON)**  
 ILLUSTRATED PARTS CATALOG

PART NUMBER	CH SEC SUBJ FIG	ITEM	REQ	PART NUMBER	CH SEC SUBJ FIG	ITEM	REQ
HL10VBJS-5	57-10-00-03	-014	12	HL11VBJS-10	55-30-01-01	-023	01
HL10VBJS-5	57-10-00-03	-020	05	HL11VBJS-10	57-10-00-01	-093	94
HL10VBJS-5	57-10-00-03	-031	04	HL11VBJS-10	57-10-00-01	-229	02
HL10VBJS-5	57-10-00-03	-036	11	HL11VBJS-10	57-20-03-02	-113	02
HL10VBJS-5	57-10-00-03	-097	12	HL11VBJS-11	52-80-00-01	-095	04
HL10VBJS-5	57-10-00-03	-102	06	HL11VBJS-11	57-10-00-01	-092	56
HL10VBJS-5	57-20-03-02	-029	10	HL11VBJS-11	57-10-00-01	-233	20
HL10VBJS-6	53-50-00-01	-077	12	HL11VBJS-11	57-20-03-02	-117	02
HL10VBJS-6	53-50-00-01	-089	08	HL11VBJS-12	55-30-01-01	-024	01
HL10VBJS-6	55-30-01-01	-003	07	HL11VBJS-12	57-10-00-01	-091	20
HL10VBJS-6	55-30-01-01	-077	02	HL11VBJS-13	57-10-00-01	-087	68
HL10VBJS-7	53-50-00-01	-003	41	HL11VBJS-13	57-20-03-02	-190	02
HL10VBJS-7	53-50-00-01	-011	24	HL11VBJS-14	57-10-00-01	-081	44
HL10VBJS-7	53-50-00-01	-076	04	HL11VBJS-14	57-10-00-01	-228	04
HL10VBJS-7	55-10-00-01	-027	06	HL11VBJS-15	57-10-00-01	-089	24
HL10VBJS-7	57-00-00-01	-078	02	HL11VBJS-16	57-10-00-01	-088	24
HL10VBJS-7	57-10-00-03	-012	03	HL11VBJS-17	57-10-00-01	-090	04
HL10VBJS-7	57-10-00-03	-018	03	HL11VBJS-2	57-20-03-02	-152	08
HL10VBJS-7	57-10-00-03	-307	02	HL11VBJS-3	52-80-00-01	-109	19
HL10VBJS-7	57-20-03-02	-099	06	HL11VBJS-3	53-40-00-03	-159	02
HL10VBJS-7	57-20-03-02	-111	AR	HL11VBJS-3	55-30-01-01	-025	12
HL10VBJS-7	57-20-03-02	-185	12	HL11VBJS-3	57-10-00-03	-115	53
HL10VBJS-7	57-30-00-02	-030	06	HL11VBJS-3	57-10-00-03	-241	26
HL10VBJS-8	53-20-08-01	-025	04	HL11VBJS-3	57-10-00-03	-317	26
HL10VBJS-8	55-30-00-03	-077	02	HL11VBJS-3	57-30-00-02	-020	10
HL10VBJS-8	55-30-00-03	-087	02	HL11VBJS-3	57-30-00-02	-023	32
HL10VBJS-8	55-30-00-03	-098	02	HL11VBJS-4	53-20-07-01	-087	13
HL10VBJS-8	55-30-00-03	-105	02	HL11VBJS-4	53-20-07-01	-226	08
HL10VBJS-8	57-10-00-01	-227	20	HL11VBJS-4	53-20-07-01	-230	15
HL10VBJS-8	57-20-03-02	-115	08	HL11VBJS-4	53-20-07-01	-234	05
HL10VBJS-8	57-20-03-02	-189	08	HL11VBJS-4	53-20-07-01	-246	08
HL10VBJS-9	53-50-00-01	-097	02	HL11VBJS-4	53-20-07-01	-252	14
HL10VBJS-9	53-50-00-01	-103	02	HL11VBJS-4	53-20-07-01	-256	05
HL10VBJS-9	57-10-00-01	-084	16	HL11VBJS-4	53-40-00-03	-171	08
HL10VBJS-9	57-10-00-01	-231	24	HL11VBJS-4	53-40-00-03	-238	08
HL10VBJS-13	32-30-00-02	-029	02	HL11VBJS-4	55-30-01-01	-026	05
HL10VBJS-13	57-00-00-01	-020	02	HL11VBJS-4	56-20-00-01	-003	24
HL10VBJS-14	32-30-00-02	-030	01	HL11VBJS-4	56-30-00-01	-003	19
HL10VBJS-14	57-00-00-01	-021	02	HL11VBJS-4	57-10-00-03	-021	32
HL10VBJS-15	57-00-00-01	-022	04	HL11VBJS-4	57-10-00-03	-103	23
HL10VBJS-16	57-00-00-01	-093	08	HL11VBJS-4	57-10-00-03	-111	18
HL10VBJS-18	52-10-01-02	-017	01	HL11VBJS-4	57-10-00-03	-117	04
HL10VBJS-4	55-10-00-01	-094	04	HL11VBJS-4	57-10-00-03	-234	20
HL10VBJS-4	55-10-00-01	-120	02	HL11VBJS-4	57-10-00-03	-238	24
HL10VBJS-4	55-30-01-01	-005	02	HL11VBJS-4	57-10-00-03	-311	18
HL10VBJS-4	57-00-00-01	-079	06	HL11VBJS-4	57-10-00-03	-314	18
HL10VBJS-4	57-10-00-03	-326	02	HL11VBJS-4	57-10-00-03	-318	08
HL10VBJS-5	53-21-00-02	-010	06	HL11VBJS-4	57-20-03-02	-101	01
HL10VBJS-5	55-10-00-01	-030	04	HL11VBJS-4	57-30-00-02	-035	02
HL10VBJS-6	53-21-00-04	-045	02	HL11VBJS-5	52-80-00-01	-113	02
HL10VBJS-6	55-10-00-01	-082	03	HL11VBJS-5	55-30-01-01	-027	01
HL10VBJS-6	55-10-00-01	-111	04	HL11VBJS-5	57-10-00-03	-015	06
HL10VBJS-6	57-00-00-01	-080	08	HL11VBJS-5	57-10-00-03	-104	04
HL10VBJS-7	55-10-00-01	-021	04	HL11VBJS-5	57-10-00-03	-116	12
HL10VBJS-7	55-10-00-01	-083	01	HL11VBJS-5	57-10-00-03	-227	09
HL10VBJS-7	57-00-00-01	-023	04	HL11VBJS-5	57-10-00-03	-231	04
HL10VBJS-8	55-10-00-01	-014	04	HL11VBJS-5	57-10-00-03	-237	02
HL10VBJS-8	57-00-00-01	-024	08	HL11VBJS-5	57-10-00-03	-242	12
HL10VBJS-8-4	53-21-00-01	-189	02	HL11VBJS-5	57-10-00-03	-302	06
HL10VBJS-8-5	55-30-01-01	-013	02	HL11VBJS-5	57-10-00-03	-308	04
HL11VBJS-4-3	53-10-00-01	-116	01	HL11VBJS-5	57-10-00-03	-310	04
HL11VBJS-10	55-30-00-03	-154	05	HL11VBJS-5	57-20-03-02	-032	02

CESSNA®  
**MODEL 525 (SERIALS -0685 AND -0800 AND ON)**  
 ILLUSTRATED PARTS CATALOG

PART NUMBER	CH	SEC	SUBJ	FIG	ITEM	REQ	PART NUMBER	CH	SEC	SUBJ	FIG	ITEM	REQ
HL11VBJ5-5	57	20	03	02	-188	04	HL18PB-5-11	57	10	00	03	-129	16
HL11VBJ5-6	55	30	01	01	-028	01	HL18PB-5-13	57	10	00	03	-085	01
HL11VBJ5-6	57	10	00	01	-004	08	HL18PB-5-4	54	10	00	01	-034	04
HL11VBJ5-6	57	10	00	01	-226	24	HL18PB-5-6	57	10	00	03	-130	14
HL11VBJ5-6	57	20	03	02	-033	AR	HL18PB-5-7	57	10	00	03	-087	01
HL11VBJ5-6	57	20	03	02	-100	04	HL18PB-5-8	57	10	00	03	-086	05
HL11VBJ5-6	57	20	03	02	-114	02	HL18PB-6-6	54	10	00	01	-028	02
HL11VBJ5-6	57	30	00	02	-031	08	HL18PB-8-13	57	10	00	03	-079	02
HL11VBJ5-7	52	80	00	01	-112	02	HL18PB-8-13	57	10	00	03	-089	02
HL11VBJ5-7	55	30	01	01	-029	02	HL18PB5-3	27	30	01	01	-181	01
HL11VBJ5-7	57	10	00	01	-003	02	HL18PB5-4	23	16	00	01	-005	02
HL11VBJ5-7	57	10	00	01	-080	16	HL18PB5-4	54	10	00	01	-015	02
HL11VBJ5-7	57	10	00	03	-232	02	HL18PB5-4	54	10	00	01	-020	04
HL11VBJ5-7	57	10	00	03	-306	02	HL18PB5-4	57	00	00	01	-032	04
HL11VBJ5-7	57	20	03	02	-030	AR	HL18PB5-4	57	10	00	03	-151	02
HL11VBJ5-7	57	20	03	02	-112	AR	HL18PB5-4	57	10	00	03	-168	02
HL11VBJ5-7	57	20	03	02	-186	05	HL18PB5-4	57	10	00	03	-184	02
HL11VBJ5-8	52	80	00	01	-111	02	HL18PB5-6	57	00	00	01	-033	04
HL11VBJ5-8	55	30	00	03	-086	02	HL18PB5-7	57	00	00	01	-034	02
HL11VBJ5-8	55	30	00	03	-104	02	HL18PB6-13	57	10	00	01	-161	02
HL11VBJ5-8	55	30	01	01	-030	01	HL18PB6-3	57	20	01	02	-017	03
HL11VBJ5-8	57	10	00	01	-095	24	HL18PB6-4	57	20	01	02	-003	03
HL11VBJ5-8	57	10	00	01	-230	06	HL18PB6-4	57	20	01	02	-018	03
HL11VBJ5-8	57	20	03	02	-031	02	HL18PB6-6	57	20	01	02	-019	04
HL11VBJ5-8	57	20	03	02	-116	05	HL18PB6-7	54	10	00	01	-017	06
HL11VBJ5-8	57	20	03	02	-191	02	HL18PB6-7	54	10	00	01	-022	04
HL11VBJ5-9	55	30	00	03	-155	04	HL18PB6-7	57	00	00	01	-035	04
HL11VBJ5-9	55	30	01	01	-031	01	HL18PB6-7	57	20	01	02	-020	04
HL11VBJ5-9	57	10	00	01	-002	02	HL18PB6-8	57	20	01	02	-004	05
HL11VBJ5-9	57	10	00	01	-094	22	HL18PB6-9	57	00	00	01	-036	04
HL11VBJ5-9	57	10	00	01	-232	02	HL18PB6-9	57	20	01	02	-005	01
HL11VBJ5-9	57	20	03	02	-187	08	HL19PB-6-14	56	10	01	01	-003	10
HL11VBJ6-3	57	10	00	03	-119	02	HL19PB5-3	55	30	00	03	-035	01
HL11VBJ6-4	55	30	01	01	-006	18	HL19PB5-4	53	20	07	01	-249	08
HL11VBJ6-4	57	10	00	03	-106	01	HL19PB5-5	53	20	07	01	-233	01
HL11VBJ6-6	57	20	03	02	-104	08	HL19PB5-5	53	20	07	01	-255	09
HL11VBJ6-6	57	30	00	02	-033	16	HL19PB6-10	57	10	00	01	-077	06
HL11VBJ8-10	57	20	03	02	-121	AR	HL19PB6-12	57	10	00	01	-076	04
HL11VBJ8-11	57	20	03	02	-120	02	HL19PB6-17	56	10	01	01	-004	10
HL11VBJ8-11	57	20	03	02	-195	08	HL19PB6-26	57	10	00	01	-078	02
HL11VBJ8-13	55	30	01	01	-032	01	HL20PB-5-3	55	30	00	03	-168	02
HL11VBJ8-13	57	20	03	02	-196	04	HL20PB-5-6	32	30	00	02	-032	04
HL11VBJ8-7	57	20	03	02	-035	AR	HL20PB5-5	54	10	00	01	-012	03
HL11VBJ8-8	57	20	03	02	-036	02	HL20PB6-4	54	10	00	01	-030	02
HL11VBJ8-8	57	20	03	02	-193	08	HL20PB6-6	54	10	00	01	-010	02
HL11VBJ8-9	57	20	03	02	-119	04	HL41-4-2	71	60	00	01	-024	10
HL11VBJ8-9	57	20	03	02	-194	04	HL41-4-2	71	60	00	01	-028	18
HL12VBJ12-8	54	10	00	01	-037	04	HL41-5-7	71	60	00	01	-076	03
HL12VBJ5-5	53	20	00	02	-162	06	HL70-10	55	30	00	03	-089	02
HL12VBJ6-8	54	10	00	01	-048	02	HL70-10	55	30	01	01	-033	02
HL12VBJ8-13	57	00	00	01	-012	02	HL70-12	55	30	01	01	-034	01
HL12VBJ8-14	57	00	00	01	-013	02	HL70-5	23	16	00	01	-006	02
HL12VBJ8-14	57	00	00	01	-081	02	HL70-5	27	10	00	03	-042	04
HL12VBJ8-15	57	00	00	01	-014	02	HL70-5	27	20	00	02	-085	02
HL12VBJ8-15	57	00	00	01	-082	02	HL70-5	27	20	00	02	-170	04
HL12VBJ8-16	57	00	00	01	-083	02	HL70-5	27	30	00	01	-099	02
HL12VBJ8-17	57	00	00	01	-015	02	HL70-5	27	30	01	01	-182	01
HL12VBJ8-17	57	00	00	01	-084	02	HL70-5	27	30	02	02	-090	03
HL12VBJ8-17	57	00	00	01	-090	08	HL70-5	27	30	02	02	-101	04
HL12VBJ8-18	57	00	00	01	-016	02	HL70-5	27	50	00	02	-031	06
HL13VBJ5-4	52	80	00	01	-082	06	HL70-5	27	50	00	02	-041	02
HL13VBJ5-4	52	80	00	01	-103	06	HL70-5	32	50	00	01	-094	04

CESSNA®  
**MODEL 525 (SERIALS -0685 AND -0800 AND ON)**  
 ILLUSTRATED PARTS CATALOG

PART NUMBER	CH SEC SUBJ FIG	ITEM	REQ	PART NUMBER	CH SEC SUBJ FIG	ITEM	REQ
HL70-5	32-70-00-02	-003	06	HL70-5	57-10-00-02	-016	02
HL70-5	52-80-00-01	-083	06	HL70-5	57-10-00-02	-019	04
HL70-5	52-80-00-01	-096	04	HL70-5	57-10-00-02	-033	04
HL70-5	52-80-00-01	-104	06	HL70-5	57-10-00-02	-038	04
HL70-5	52-80-00-01	-110	23	HL70-5	57-10-00-02	-082	05
HL70-5	53-10-00-02	-081	02	HL70-5	57-10-00-02	-086	06
HL70-5	53-10-00-02	-085	02	HL70-5	57-10-00-02	-095	09
HL70-5	53-10-00-04	-010	03	HL70-5	57-10-00-02	-099	14
HL70-5	53-10-00-04	-031	03	HL70-5	57-10-00-02	-115	08
HL70-5	53-10-00-04	-040	06	HL70-5	57-10-00-02	-159	06
HL70-5	53-10-00-04	-048	04	HL70-5	57-10-00-02	-178	05
HL70-5	53-20-07-01	-088	13	HL70-5	57-10-00-02	-227	03
HL70-5	53-20-07-01	-227	08	HL70-5	57-10-00-02	-236	05
HL70-5	53-20-07-01	-231	15	HL70-5	57-10-00-02	-243	08
HL70-5	53-20-07-01	-235	06	HL70-5	57-10-00-02	-249	08
HL70-5	53-20-07-01	-247	08	HL70-5	57-10-00-03	-006	05
HL70-5	53-20-07-01	-250	08	HL70-5	57-10-00-03	-016	26
HL70-5	53-20-07-01	-253	14	HL70-5	57-10-00-03	-022	45
HL70-5	53-20-07-01	-257	14	HL70-5	57-10-00-03	-028	02
HL70-5	53-20-08-01	-026	06	HL70-5	57-10-00-03	-033	05
HL70-5	53-20-08-01	-031	04	HL70-5	57-10-00-03	-037	11
HL70-5	53-21-00-02	-016	32	HL70-5	57-10-00-03	-078	08
HL70-5	53-21-00-04	-107	03	HL70-5	57-10-00-03	-088	13
HL70-5	53-21-00-04	-115	03	HL70-5	57-10-00-03	-098	20
HL70-5	53-21-00-05	-005	52	HL70-5	57-10-00-03	-105	40
HL70-5	53-40-00-03	-012	04	HL70-5	57-10-00-03	-112	54
HL70-5	53-40-00-03	-087	08	HL70-5	57-10-00-03	-118	69
HL70-5	53-40-00-03	-160	02	HL70-5	57-10-00-03	-131	30
HL70-5	53-40-00-03	-172	08	HL70-5	57-10-00-03	-152	02
HL70-5	53-40-00-03	-176	04	HL70-5	57-10-00-03	-169	02
HL70-5	53-40-00-03	-239	08	HL70-5	57-10-00-03	-185	02
HL70-5	53-50-00-01	-004	53	HL70-5	57-10-00-03	-228	09
HL70-5	53-50-00-01	-014	53	HL70-5	57-10-00-03	-235	20
HL70-5	53-50-00-01	-081	46	HL70-5	57-10-00-03	-239	26
HL70-5	53-50-00-01	-092	20	HL70-5	57-10-00-03	-243	38
HL70-5	53-50-00-01	-099	07	HL70-5	57-10-00-03	-251	02
HL70-5	53-50-00-01	-105	02	HL70-5	57-10-00-03	-303	06
HL70-5	54-10-00-01	-016	02	HL70-5	57-10-00-03	-312	22
HL70-5	54-10-00-01	-021	04	HL70-5	57-10-00-03	-315	18
HL70-5	54-10-00-01	-035	04	HL70-5	57-10-00-03	-319	34
HL70-5	54-10-00-01	-045	08	HL70-5	57-10-00-03	-329	06
HL70-5	55-10-00-01	-013	04	HL70-5	57-20-03-02	-034	AR
HL70-5	55-10-00-01	-020	03	HL70-5	57-20-03-02	-102	10
HL70-5	55-10-00-01	-028	06	HL70-5	57-20-03-02	-118	AR
HL70-5	55-10-00-01	-033	04	HL70-5	57-20-03-02	-153	08
HL70-5	55-10-00-01	-116	02	HL70-5	57-20-03-02	-180	16
HL70-5	55-30-00-03	-036	01	HL70-5	57-20-03-02	-192	41
HL70-5	55-30-00-03	-078	02	HL70-5	57-30-00-02	-021	10
HL70-5	55-30-00-03	-090	06	HL70-5	57-30-00-02	-024	32
HL70-5	55-30-00-03	-099	02	HL70-5	57-30-00-02	-032	14
HL70-5	55-30-00-03	-106	04	HL70-6	32-30-00-02	-031	03
HL70-5	55-30-00-03	-176	07	HL70-6	53-21-00-02	-011	06
HL70-5	55-30-01-01	-007	25	HL70-6	53-21-00-04	-046	02
HL70-5	55-30-01-01	-035	25	HL70-6	54-10-00-01	-018	06
HL70-5	55-30-01-01	-078	02	HL70-6	54-10-00-01	-023	04
HL70-5	57-00-00-01	-028	14	HL70-6	54-10-00-01	-029	02
HL70-5	57-00-00-01	-037	10	HL70-6	55-10-00-01	-015	04
HL70-5	57-00-00-01	-085	24	HL70-6	55-10-00-01	-022	04
HL70-5	57-10-00-01	-005	12	HL70-6	55-10-00-01	-031	04
HL70-5	57-10-00-01	-096	AR	HL70-6	55-10-00-01	-084	04
HL70-5	57-10-00-01	-234	94	HL70-6	55-10-00-01	-095	04
HL70-5	57-10-00-02	-013	03	HL70-6	55-10-00-01	-112	04

CESSNA®  
**MODEL 525 (SERIALS -0685 AND -0800 AND ON)**  
 ILLUSTRATED PARTS CATALOG

PART NUMBER	CH	SEC	SUBJ	FIG	ITEM	REQ	PART NUMBER	CH	SEC	SUBJ	FIG	ITEM	REQ
HL70-6	55-10-00-01				-121	02	IF116-447-5-495	33-20-00-02				-002	02
HL70-6	55-30-01-01				-008	20	IF116-447-5-495	38-30-00-01				-165	04
HL70-6	57-00-00-01				-038	08	ILDH-4A-180	25-30-00-01				-016	04
HL70-6	57-00-00-01				-086	14	ILDH-4A-180	25-30-00-02				-010	03
HL70-6	57-00-00-01				-094	08	ILDH-4AL-180DS	25-21-00-02				-033	02
HL70-6	57-10-00-01				-079	12	J-23676-1	25-20-02-01				-015	01
HL70-6	57-10-00-01				-162	02	JA	11-00-00-01				-055	AR
HL70-6	57-10-00-03				-107	01	JAA	11-00-00-01				-053	AR
HL70-6	57-10-00-03				-120	02	JE5	27-50-00-02				-092	01
HL70-6	57-10-00-03				-327	02	JE5	32-41-00-01				-175	01
HL70-6	57-20-01-02				-006	09	JE5	76-10-01-01				-102	01
HL70-6	57-20-01-02				-021	14	JE5	76-10-01-02				-088	02
HL70-6	57-20-03-02				-105	08	JE61	27-50-00-02				-084	04
HL70-6	57-30-00-02				-034	16	JM5	27-50-00-02				-099	01
HL70-8	53-21-00-01				-190	02	JM5	52-30-00-01				-108	01
HL70-8	55-30-01-01				-014	02	JM5	52-30-00-02				-106	01
HL70-8	55-30-01-01				-036	01	JV-1	32-30-00-01				-023	02
HL70-8	57-10-00-03				-080	02	JV91	32-30-00-01				-022	02
HL70-8	57-10-00-03				-090	02	JY	11-00-00-01				-056	AR
HL70-8	57-20-03-02				-037	06	K-632W	25-21-01-02				-015	03
HL70-8	57-20-03-02				-122	AR	KA91-02	53-20-00-02				-108	01
HL70-8	57-20-03-02				-197	24	KF06-02PS	25-30-00-01				-033	02
HL75DU5ADW	52-80-00-01				-114	06	KF06-02PS	25-30-00-02				-014	02
HL75DU5ADW	53-20-00-02				-163	06	L10-611-14	34-50-00-01				-001	01
HL75DU5ADW	57-10-00-01				-097	08	L10-611-14	34-50-00-01				-002	01
HL75DU5ADW	57-10-00-03				-233	06	L10-611-14	34-50-00-01				-006	02
HL75DU5ADW	57-10-00-03				-309	08	L10-611-14	34-50-00-01				-007	01
HL75DU5ADW	57-20-03-02				-103	01	L10-611-14	34-51-00-01				-001	01
HL75DU5ADW	57-30-00-02				-036	02	L10-611-14	34-51-00-02				-001	01
HL75DU6ADW	57-00-00-01				-029	20	LDL100-01	33-40-00-01				-001	01
HL75DU8ADW	57-00-00-01				-017	10	LDL100-01	33-40-00-01				-002	01
HL75DU8ADW	57-00-00-01				-087	08	LDL100-02	33-40-00-01				-001A	01
HL75DU8ADW	57-00-00-01				-091	08	LDL100-02	33-40-00-01				-002A	01
HL82-10	55-30-00-03				-107	02	LDS50-70-90	24-20-00-03				-011	01
HL82-5	55-30-00-03				-156	09	LDS50-70-90	24-20-00-03				-012	01
HL82-5ADW	53-50-00-01				-087	12	LE016B04S	25-20-05-01				-095	01
HL82-5ADW	57-10-00-01				-235	08	LK334-1	32-41-00-01				-172	01
HL86-5	32-30-00-02				-033	04	LN	11-00-00-01				-087	AR
HL86-5	54-10-00-01				-013	03	LQ	11-00-00-01				-002	AR
HL86-5	55-30-00-03				-169	02	LS3	32-41-00-01				-027	01
HL86-6	54-10-00-01				-011	02	LSA110Y-L	27-10-02-02				-019	01
HL86-6	54-10-00-01				-031	02	LSA110Y-R	27-10-02-02				-014	01
HL86DU6	54-10-00-01				-049	02	LV	11-00-00-01				-003	AR
HL97-4	53-20-01-01				-049	01	LX	11-00-00-01				-062	AR
HL97DU-4	53-10-00-01				-117	01	LY	11-00-00-01				-061	AR
HL97DU-4	53-10-00-04				-013	04	LZ	11-00-00-01				-018	AR
HL97DU-4	53-20-00-01				-099	06	M	11-00-00-01				-050	AR
HL97DU-4	53-20-00-02				-166	18	M1220-190-244	57-40-00-01				-099	01
HL97DU-4	53-20-00-02				-170	24	M24308/26-1F	24-52-00-01				-009	02
HL97DU-4	53-50-00-01				-101	01	M25988/1-010	28-10-00-02				-010	01
HL97DU-4	53-50-00-01				-107	01	M39012/25-0006	25-10-02-02				-017	01
HL97DU-4	71-60-00-01				-025	10	M39012/25-0006	25-21-00-02				-092	01
HL97DU-4	71-60-00-01				-029	18	M39016/6-107L	23-70-00-01				-032	01
HL97DU-5	22-10-00-01				-080	04	M39016/6-107L	23-70-00-01				-033	01
HL97DU-5	71-60-00-01				-077	03	M5593-4	36-10-00-03				-001	AR
HP	11-00-00-01				-089	AR	M6106/19-012	21-50-01-01				-037	01
HR	11-00-00-01				-040	AR	M6106/19-012	21-50-01-01				-038	01
HRBL4EDUS	32-30-01-02				-020A	AR	M6106/19-012	21-50-01-01				-039	01
HS	11-00-00-01				-110	AR	M6106/19-012	21-50-01-01				-040	01
HZ	11-00-00-01				-101	AR	M6106/19-012	24-50-01-02				-100	01
I	11-00-00-01				-052	AR	M6106/19-012	24-50-01-02				-106	01
IDL100-01	33-10-00-02				-001	02	M6106/19-012	24-50-01-03				-005	01

CESSNA®  
**MODEL 525 (SERIALS -0685 AND -0800 AND ON)**  
 ILLUSTRATED PARTS CATALOG

PART NUMBER	CH SEC SUBJ FIG	ITEM	REQ	PART NUMBER	CH SEC SUBJ FIG	ITEM	REQ
M6106/19-012	24-50-01-03	-006	01	M83461/2-911	29-10-00-02	-096	01
M6106/19-012	24-50-01-03	-007	01	M83461/2-911	29-10-00-02	-112	01
M6106/19-012	24-50-02-02	-160	01	M83461/2-912	29-10-00-01	-091	03
M6106/19-012	24-50-02-02	-170	01	M83461/2-912	29-10-00-02	-015	01
M6106/19-012	24-50-02-02	-171	01	M83536/15-022	24-50-02-02	-163	01
M6106/19-012	24-50-02-02	-174	01	M83536/15-022L	24-50-01-01	-102	01
M81934/2-04A014	27-60-00-01	-024	02	M83536/15-022L	24-50-02-02	-153	01
M81934/2-06A016	27-50-00-02	-026	02	M83536/15-022L	24-50-02-02	-161	01
M81934/2-06C012	32-30-00-02	-021	01	M83536/15-022L	24-50-02-02	-162	01
M81935/1-03	32-30-01-01	-010	01	M83536/9-024	24-50-00-01	-019	01
M81935/1-04	32-30-01-01	-009	01	M83536/9-024	24-50-01-01	-105	01
M83248/1-012	79-30-00-01	-012	02	M83536/9-024	24-50-01-02	-103	01
M83248/1-020	28-10-00-02	-007	AR	M83536/9-024	24-50-01-02	-104	01
M83248/1-906	73-10-00-01	-009	02	M83536/9-024	24-50-01-02	-105	01
M83248/1-912	73-10-00-01	-020	02	M83536/9-024	24-50-01-02	-107	01
M83248/2-904	32-41-00-03	-197	01	M83536/9-024	24-50-01-02	-108	01
M83461/1-012	29-10-00-02	-087	01	M83536/9-024	24-50-01-02	-109	01
M83461/1-012	29-10-00-02	-103	05	M83536/9-024	24-50-01-03	-008	01
M83461/1-012	29-10-00-02	-106	05	M83536/9-024	24-50-01-03	-009	01
M83461/1-012	32-30-02-01	-027	02	M83536/9-024	24-50-01-03	-010	01
M83461/1-012	32-41-00-01	-156	01	M83536/9-024	24-50-01-03	-011	01
M83461/1-012	32-41-00-05	-005	01	M83536/9-024	24-50-02-02	-154	01
M83461/1-013	29-10-00-02	-119	01	M83536/9-024	24-50-02-02	-155	01
M83461/1-014	29-10-00-02	-088	01	M83536/9-024	24-50-02-02	-156	01
M83461/1-014	29-10-00-02	-091	05	M83536/9-024	24-50-02-02	-157	01
M83461/1-014	29-10-00-02	-115	02	M83536/9-024	24-50-02-02	-158	01
M83461/1-015	32-41-00-01	-110	01	M83536/9-024	24-50-02-02	-159	01
M83461/1-016	29-10-00-02	-081	01	M83536/9-024	24-50-02-02	-164	01
M83461/1-016	29-10-00-02	-092	04	M83536/9-024	24-50-02-02	-165	01
M83461/1-016	29-10-00-02	-099	01	M83536/9-024	24-50-02-02	-166	01
M83461/1-017	29-10-00-02	-111	01	M83536/9-024	24-50-02-02	-167	01
M83461/1-018	29-10-00-02	-095	01	M83536/9-024	24-50-02-02	-168	01
M83461/1-112	29-10-00-02	-022	04	M83536/9-024	24-50-02-02	-169	01
M83461/2-904	27-50-01-01	-003	04	M83536/9-024	24-50-02-02	-172	01
M83461/2-904	27-50-01-01	-114	04	M83536/9-024	24-50-02-02	-173	01
M83461/2-904	27-60-00-02	-075	04	M83536/9-024	24-50-02-02	-175	01
M83461/2-904	29-10-00-01	-255	01	M83536/9-024	24-50-02-02	-176	01
M83461/2-904	29-10-00-02	-009	01	M83536/9-024	24-50-02-02	-177	01
M83461/2-904	32-30-00-02	-035	02	M83536/9-024	24-50-02-02	-178	01
M83461/2-904	32-30-01-04	-020	02	M83536/9-024	24-50-02-02	-179	01
M83461/2-904	32-30-01-04	-083	01	M83536/9-024	24-50-02-02	-180	01
M83461/2-904	32-41-00-03	-005	02	M83536/9-024	24-50-02-02	-181	01
M83461/2-904	32-41-01-01	-022	05	M83536/9-024	24-50-02-02	-182	01
M83461/2-906	29-10-00-01	-008	02	M85049/95-14-A	24-50-02-02	-231A	02
M83461/2-906	29-10-00-01	-124	02	M85049/95-20-A	24-50-02-02	-228A	01
M83461/2-906	29-10-00-02	-013	01	M85049/96-24	24-50-02-02	-225	12
M83461/2-906	29-10-00-02	-028	01	M85449/1-36	32-41-00-03	-097A	02
M83461/2-906	29-10-00-02	-108	01	M85528/2-14-A	24-50-02-02	-231B	02
M83461/2-906	32-30-00-02	-048	02	M85528/2-14A	24-50-02-02	-231	NP
M83461/2-906	32-30-00-02	-099	02	M85528/2-20-A	24-50-02-02	-228	NP
M83461/2-906	32-30-00-02	-189	03	M8791/1-012	29-10-00-02	-085	02
M83461/2-906	32-30-02-01	-003	04	M8791/1-013	29-10-00-02	-118	01
M83461/2-906	32-41-01-01	-010	03	M8791/1-014	29-10-00-02	-086	01
M83461/2-907	29-10-00-02	-120	01	M8791/1-014	29-10-00-02	-114	02
M83461/2-908	29-10-00-02	-011	01	M8791/1-016	29-10-00-02	-080	01
M83461/2-908	29-10-00-02	-116	02	M8791/1-016	29-10-00-02	-098	01
M83461/2-910	29-10-00-01	-010	02	M8791/1-017	29-10-00-02	-110	01
M83461/2-910	29-10-00-01	-241	03	M8791/1-018	29-10-00-02	-094	01
M83461/2-910	29-10-00-02	-007	02	M8805/93-001	31-10-00-01	-013	01
M83461/2-910	29-10-00-02	-026	06	M8805/93-001	31-10-00-01	-014	01
M83461/2-910	29-10-00-02	-082	01	M8805/93-008	30-10-00-01	-158	01
M83461/2-910	29-10-00-02	-100	01	M8805/93-008	30-10-00-01	-159	01

CESSNA®  
**MODEL 525 (SERIALS -0685 AND -0800 AND ON)**  
 ILLUSTRATED PARTS CATALOG

PART NUMBER	CH SEC SUBJ FIG	ITEM	REQ	PART NUMBER	CH SEC SUBJ FIG	ITEM	REQ
M8805/93-008	31-10-00-01	-004	01	MS17825-4	27-10-00-01	-112	01
M8805/93-008	31-10-00-01	-005	01	MS17825-4	27-10-00-03	-034	01
M8805/93-008	31-10-00-01	-084	01	MS17825-4	27-10-00-03	-048	01
M8805/93-008	33-40-00-01	-008	01	MS17825-4	27-10-00-04	-009	01
M8805/93-009	30-10-00-01	-160	01	MS17825-4	27-10-00-04	-021	01
M8805/93-009	31-10-00-01	-006	01	MS17825-4	27-20-00-02	-023	01
M8805/93-012	31-10-00-01	-081	01	MS17825-4	27-20-00-02	-051	01
M8805/93-012	31-10-00-01	-082	01	MS17825-4	27-20-00-02	-081	01
M8805/93-015	31-10-00-01	-006A	01	MS17825-4	27-20-00-02	-089	01
M8805/93-015	31-10-00-01	-007	01	MS17825-4	27-20-00-02	-102	01
M8805/93-015	31-10-00-01	-007A	01	MS17825-4	27-20-00-02	-162	01
M8805/93-015	31-10-00-01	-078	01	MS17825-4	27-20-00-02	-175	01
MB10-754	34-30-10-01	-005	01	MS17825-4	27-30-00-01	-025	01
MBS68811-375S	32-30-02-01	-041	01	MS17825-4	27-30-00-01	-034	01
ME	11-00-00-01	-080	AR	MS17825-4	27-30-00-01	-089	01
MG94D-4	80-10-00-01	-001	02	MS17825-4	27-30-00-01	-104	01
MKK240R	25-26-00-02	-010	03	MS17825-4	27-30-00-02	-037	01
MKK240R	25-30-00-01	-011	02	MS17825-4	27-30-01-01	-154	02
MKK240R	25-30-00-02	-007	01	MS17825-4	27-70-00-01	-022A	01
MKK240R	38-30-00-01	-005	05	MS17825-4	32-30-00-03	-020	01
MN8047-1	25-10-02-03	-082	02	MS17825-4	32-30-00-03	-044	02
MP50B1	32-41-00-03	-157	01	MS17825-4	32-30-00-03	-053	01
MR10051N	35-30-00-01	-001	01	MS17825-4	32-30-00-03	-092	01
MS14102-4	57-50-01-02	-026	01	MS17825-4	32-30-01-02	-027	02
MS14104-4	52-80-00-01	-021	01	MS17825-4	55-40-00-01	-004	01
MS14104-4	57-50-01-02	-019	01	MS17825-4	55-40-00-01	-016	04
MS14104-4	57-50-01-02	-080	01	MS17825-4	57-60-00-02	-005	03
MS15795-748	25-20-02-01	-014	01	MS17825-5	32-40-00-02	-007	01
MS16562-122	52-10-01-02	-002	01	MS17825-5	55-30-00-01	-011	04
MS16562-18	27-10-02-02	-041	01	MS17825-8	57-00-00-01	-010	01
MS16562-20	25-20-05-01	-383	01	MS17826-10	32-30-00-02	-103	02
MS16562-23	27-10-02-02	-008	01	MS17826-10	32-30-01-04	-087	01
MS16562-23	76-10-01-03	-016	01	MS17826-12	32-30-01-04	-091	01
MS16562-25	27-10-02-02	-043	01	MS17826-3	22-10-00-01	-033A	01
MS16562-25	27-20-02-02	-004	01	MS17826-3	22-10-00-01	-092A	01
MS16562-25	27-20-02-02	-017	02	MS17826-3	27-10-00-01	-016	01
MS16562-28	27-10-02-02	-015	02	MS17826-3	27-10-00-01	-020	01
MS16562-29	27-10-02-01	-002	01	MS17826-3	27-10-00-01	-082	01
MS16562-36	25-20-00-01	-026	02	MS17826-3	27-10-02-01	-046	01
MS16562-38	27-30-01-01	-024	02	MS17826-3	27-20-02-01	-111	02
MS16562-4	21-20-01-02	-007	03	MS17826-3	27-30-02-01	-161	02
MS16562-4	21-50-01-01	-018	03	MS17826-3	27-30-02-02	-007	01
MS16562-4	21-50-02-01	-103	03	MS17826-3	27-60-00-01	-006	01
MS16562-48	52-10-01-01	-041	02	MS17826-3	32-30-00-01	-008	01
MS16562-48	52-10-01-01	-096	02	MS17826-3	32-30-00-03	-014	01
MS16562-48	52-10-01-01	-113	02	MS17826-3	32-30-00-04	-018	01
MS16562-6	21-21-00-01	-028	02	MS17826-3	32-41-00-01	-023	08
MS16562-6	21-50-02-01	-102	01	MS17826-3	32-41-00-01	-170	01
MS16624-1025	52-60-00-01	-113	02	MS17826-3	32-50-00-01	-004	01
MS16624-1037	27-10-02-02	-017	01	MS17826-3	32-50-00-01	-018	01
MS16624-1050	52-10-00-03	-078	04	MS17826-4	27-10-00-01	-012	01
MS16625-1100	38-31-00-01	-007	01	MS17826-4	27-10-00-01	-024	01
MS16625-4037	32-30-02-01	-039	01	MS17826-4	27-10-00-01	-113	01
MS16633-1021	25-20-05-01	-113	02	MS17826-4	27-30-00-02	-037A	01
MS16996-24	25-20-05-01	-226	09	MS17826-4	27-30-00-02	-038	01
MS17825-3	27-10-00-01	-104	01	MS17826-4	27-30-00-02	-048	01
MS17825-3	27-10-02-01	-045	01	MS17826-4	27-50-00-02	-109	02
MS17825-3	27-70-00-01	-037	01	MS17826-4	27-50-01-01	-119	02
MS17825-3	27-70-00-01	-100	01	MS17826-4	27-60-00-02	-115	01
MS17825-3	32-30-00-04	-006	01	MS17826-4	27-70-00-01	-022	01
MS17825-3	52-10-01-01	-200	01	MS17826-4	27-70-00-01	-045	01
MS17825-3	52-30-00-02	-005	02	MS17826-4	27-70-00-01	-159	04

CESSNA®  
**MODEL 525 (SERIALS -0685 AND -0800 AND ON)**  
 ILLUSTRATED PARTS CATALOG

PART NUMBER	CH SEC SUBJ FIG	ITEM	REQ	PART NUMBER	CH SEC SUBJ FIG	ITEM	REQ
MS17826-4	32-30-00-01	-017	01	MS20253P2-1700	53-11-00-02	-033	01
MS17826-4	32-30-00-02	-017	01	MS20253P2-300	25-20-00-01	-033	01
MS17826-4	32-50-00-01	-008	01	MS20253P2-300	52-40-00-01	-008	01
MS17826-4	32-50-00-01	-014	01	MS20253P2-300	71-10-00-01	-046	01
MS17826-4	32-50-00-01	-164	02	MS20253P2-390	71-10-00-01	-023	01
MS17826-4	55-20-00-01	-009	05	MS20253P2-3970L	55-20-00-01	-154	01
MS17826-4	55-40-00-01	-013	02	MS20253P2-4585L	57-60-00-02	-151	01
MS17826-4	57-50-01-02	-012	03	MS20253P2-590	21-21-00-01	-015	01
MS17826-4	76-10-01-02	-039	01	MS20257H3-1500	53-11-00-02	-094	02
MS17826-6	27-30-00-02	-004	01	MS20257H3-1500	53-11-00-02A	-090	02
MS17826-7	55-10-00-01	-005	04	MS20392-1C17	32-30-01-04	-013	01
MS17984C413	38-30-00-01	-086	01	MS20392-1C19	32-30-00-02	-005	01
MS17984C511	25-26-00-01	-012	04	MS20392-1C61	27-50-00-01	-037	01
MS17984C609	25-26-00-01	-081	02	MS20392-1C65	24-40-00-01	-016	01
MS18063-36	53-20-00-02	-082B	01	MS20392-1C65	27-10-02-01	-053	01
MS18065-68	30-40-00-01	-087	01	MS20392-1C65	27-20-02-01	-120	01
MS20001-4-1200	38-30-00-01	-011	01	MS20392-1C65	27-30-02-01	-168	02
MS20001PH5-1300	53-11-00-02	-009	02	MS20392-1C7	30-40-00-01	-184	01
MS20001PH5-1300	53-11-00-02A	-008	02	MS20392-1C7	52-20-00-01	-034	01
MS20002-8	57-00-00-01	-009	02	MS20392-2C11	32-30-00-04	-042	01
MS20002C4	27-30-01-01	-011	04	MS20392-2C11	32-30-00-05	-024	02
MS20002C8	57-00-00-01	-008	01	MS20392-2C13	27-70-00-01	-092	02
MS20004-16	25-20-05-01	-100	02	MS20392-2C13	32-30-00-05	-028	01
MS20004-4	25-20-05-01	-099	02	MS20392-2C13	52-10-01-01	-019	02
MS20004H4	27-30-01-01	-010	04	MS20392-2C13	52-10-01-01	-033	02
MS20033-4	27-30-00-01	-112	02	MS20392-2C13	52-10-01-01	-044	02
MS20033-4	27-30-02-01	-173	02	MS20392-2C13	52-10-01-01	-083	02
MS20074-04-03	27-10-02-01	-036	04	MS20392-2C13	52-10-01-01	-099	02
MS20074-04-03	27-20-02-01	-106	04	MS20392-2C13	52-20-00-01	-036	01
MS20074-04-03	27-30-02-01	-152	04	MS20392-2C15	27-50-00-01	-004	01
MS20201KP4A	32-50-00-01	-104	02	MS20392-2C15	52-10-01-01	-003	02
MS20201KP4A	55-10-00-01	-076A	01	MS20392-2C15	52-10-01-01	-008	01
MS20201KP4A	55-10-00-01	-081A	01	MS20392-2C15	52-10-01-01	-165	01
MS20201KP4A	55-30-01-01	-084A	01	MS20392-2C15	52-10-01-01	-179	02
MS20201KP4A	57-60-00-01	-015A	01	MS20392-2C15	52-10-01-01	-203	02
MS20201KP4A	57-60-00-01	-028A	01	MS20392-2C17	32-30-01-04	-016	01
MS20218-1	30-40-00-01	-032	01	MS20392-2C19	27-10-00-03	-009	02
MS20219-1	27-10-02-03	-006	02	MS20392-2C19	52-10-00-01	-088	01
MS20219-1	27-20-02-01	-029	02	MS20392-2C19	52-10-01-01	-171	01
MS20219-1	27-20-02-01	-078	04	MS20392-2C23	52-10-01-01	-013	01
MS20219-1	27-20-02-01	-097	02	MS20392-2C23	52-10-01-01	-155	01
MS20219-1	27-30-02-02	-077	02	MS20392-2C23	52-10-01-01	-172	01
MS20219-1	32-30-00-03	-089	01	MS20392-2C23	52-30-00-01	-092	02
MS20219-1	32-30-00-03	-101	01	MS20392-2C23	52-30-00-02	-085	01
MS20219-1	32-30-00-04	-031	01	MS20392-2C25	52-10-01-01	-151	01
MS20219-1	32-30-00-05	-012	02	MS20392-2C27	27-10-00-04	-031	04
MS20219-2	32-30-00-03	-017	02	MS20392-2C27	52-30-00-02	-100	02
MS20219-2	32-30-00-03	-037	01	MS20392-2C29	27-20-01-01	-031	01
MS20219-2	32-30-00-03	-075	01	MS20392-2C31	27-30-02-02	-023	01
MS20219-2	32-30-00-03	-170	04	MS20392-2C37	27-10-00-04	-017	02
MS20219-2	32-30-00-05	-018	04	MS20392-2C39	32-30-00-03	-023	02
MS20220-2	27-30-01-01	-093	02	MS20392-2C55	52-10-00-01	-089	01
MS20220-2	32-50-00-01	-025	01	MS20392-2C7	21-20-01-02	-012	03
MS20220-2	32-50-00-01	-097	01	MS20392-2C7	21-50-01-01	-022	01
MS20230B10	25-10-02-02	-033	06	MS20392-2C7	21-50-02-01	-090	01
MS20253-2-200L	80-10-00-01	-010	01	MS20392-2C7	27-20-01-01	-029	01
MS20253-2-960	53-10-00-01	-089	01	MS20392-2C7	32-30-00-03	-158	01
MS20253P2-1264	53-11-00-02	-010	01	MS20392-2C7	76-10-01-02	-099	01
MS20253P2-1264	53-11-00-02A	-009	01	MS20392-2C9	32-30-00-04	-043	01
MS20253P2-1380L	52-80-00-01	-077	01	MS20392-3C51	52-60-00-02	-002	02
MS20253P2-1464	53-11-00-02	-095	01	MS20392-4C17	27-50-00-02	-003	01
MS20253P2-1464	53-11-00-02A	-091	01	MS20392-4C17	27-50-00-02	-009	01

CESSNA®  
**MODEL 525 (SERIALS -0685 AND -0800 AND ON)**  
 ILLUSTRATED PARTS CATALOG

PART NUMBER	CH SEC SUBJ FIG	ITEM	REQ	PART NUMBER	CH SEC SUBJ FIG	ITEM	REQ
MS20392-4C17	27-50-00-02	-013	01	MS21042-3	52-80-00-01	-100	01
MS20760-D20	53-20-00-01	-157	01	MS21042-3	53-10-00-01	-156	07
MS20819-4J	30-40-00-01	-189	01	MS21042-3	53-10-00-01	-161	04
MS20822-2	21-20-01-02	-018	02	MS21042-3	53-10-00-01	-168	04
MS20822-4D	35-20-00-01	-022	01	MS21042-3	53-10-00-01	-173	04
MS20822-4J	30-40-00-02	-016	02	MS21042-3	71-50-00-01	-006	05
MS20822-6-2D	34-11-00-02	-017	02	MS21042-3	71-50-00-01	-080	05
MS20822-6-2D	34-11-00-02	-088	02	MS21042-3	71-60-00-01	-090	03
MS20825-4D	35-20-00-01	-017	03	MS21042-3	71-70-00-01	-010	04
MS20913-1D	35-10-00-01	-005	02	MS21042-3	73-10-00-01	-007	01
MS21025-28	32-40-00-01	-002	01	MS21042-3	73-10-00-01	-031	02
MS21042-02	23-10-02-02	-004	02	MS21042-3	76-10-01-01	-017	02
MS21042-02	32-41-00-01	-178	02	MS21042-3	77-40-05-01	-010A	02
MS21042-04	24-50-03-01	-016	26	MS21042-3	78-10-00-01	-005	24
MS21042-04	25-21-00-02	-087	02	MS21042-4	24-50-02-02	-037	02
MS21042-04	25-21-00-02	-095	02	MS21042-4	25-20-05-01	-016	01
MS21042-04	34-44-00-02	-004	04	MS21042-4	25-20-05-01	-102	04
MS21042-04	53-11-00-02	-007	07	MS21042-4	25-20-05-01	-112	02
MS21042-04	53-11-00-02A	-007	07	MS21042-4	25-20-05-01	-117	02
MS21042-06	21-20-00-03	-079	02	MS21042-4	25-20-05-01	-228	09
MS21042-06	21-21-00-01	-020	03	MS21042-4	25-20-05-01	-233	02
MS21042-06	21-60-00-01	-012	01	MS21042-4	25-20-05-01	-240	02
MS21042-06	23-50-00-03	-003	04	MS21042-4	32-20-00-01	-017	04
MS21042-06	24-50-04-01	-086	02	MS21042-4	52-60-00-02	-028	01
MS21042-06	25-20-02-01	-006	02	MS21042-4	53-12-00-01	-024	01
MS21042-06	25-20-05-01	-263	03	MS21042-5	24-50-02-02	-014	01
MS21042-06	52-30-00-01	-024	01	MS21042-5	24-50-02-02	-023	AR
MS21042-08	27-10-02-02	-038	03	MS21042-5	24-50-02-02	-024	AR
MS21042-08	33-00-00-01	-005	02	MS21042-5	24-50-02-02	-038	03
MS21042-08	38-30-00-01	-022	04	MS21042-5	24-50-04-01	-034	07
MS21042-08	52-20-00-01	-041	04	MS21042-5	25-20-05-01	-084	01
MS21042-08	52-40-00-01	-012	04	MS21042-6	27-20-01-01	-040	01
MS21042-3	24-50-02-05	-114	02	MS21042-6	32-50-00-01	-171	01
MS21042-3	24-50-04-01	-083	02	MS21042L02	24-50-03-01	-018	04
MS21042-3	25-11-00-01	-028	02	MS21042L02	33-50-00-01	-007	02
MS21042-3	25-20-05-01	-035	04	MS21042L04	23-10-00-01	-043	01
MS21042-3	25-20-05-01	-156	03	MS21042L04	32-10-00-01	-012	01
MS21042-3	25-20-05-01	-167	02	MS21042L04	76-10-01-02	-081	02
MS21042-3	26-10-00-01	-011	12	MS21042L04	76-10-01-02	-095	01
MS21042-3	27-30-00-02	-021	02	MS21042L06	27-70-00-01	-028	04
MS21042-3	27-30-00-02	-029	09	MS21042L06	30-40-00-01	-195	05
MS21042-3	27-50-01-01	-094	01	MS21042L06	52-80-00-01	-032	01
MS21042-3	27-50-01-01	-098	01	MS21042L08	21-21-00-02	-004	03
MS21042-3	27-50-01-01	-113	01	MS21042L08	24-50-01-01	-162	AR
MS21042-3	27-60-00-02	-089	01	MS21042L08	24-50-01-02	-164	AR
MS21042-3	27-60-00-02	-100	01	MS21042L08	24-50-02-05	-091	AR
MS21042-3	29-10-00-01	-018	01	MS21042L08	27-10-02-03	-004	02
MS21042-3	30-20-00-01	-011	02	MS21042L08	27-30-00-01	-079	01
MS21042-3	30-40-00-03	-076	02	MS21042L08	27-30-00-02	-011	02
MS21042-3	32-10-00-01	-025	05	MS21042L08	30-10-00-01	-018	04
MS21042-3	32-30-00-02	-042	01	MS21042L08	36-10-00-01	-166	04
MS21042-3	32-30-00-02	-083	01	MS21042L08	52-10-00-01	-102	02
MS21042-3	32-30-00-02	-096	01	MS21042L08	52-10-00-01	-106	04
MS21042-3	32-30-00-02	-158	01	MS21042L08	52-10-01-01	-195	02
MS21042-3	32-30-00-02	-168	01	MS21042L08	52-30-00-02	-097	02
MS21042-3	32-41-00-04	-010	01	MS21042L08	52-30-00-02	-116	01
MS21042-3	32-41-00-04	-029	01	MS21042L08	53-30-00-01	-017	01
MS21042-3	32-41-00-04	-041	01	MS21042L08	57-50-01-02	-005	02
MS21042-3	32-41-00-05	-098	01	MS21042L3	25-26-00-01	-047	01
MS21042-3	38-30-00-01	-171	02	MS21042L3	27-10-02-03	-016	01
MS21042-3	52-30-00-01	-020	01	MS21042L3	27-31-00-01	-005	02
MS21042-3	52-30-00-01	-032	02	MS21042L3	27-50-00-02	-020	02



CESSNA®  
**MODEL 525 (SERIALS -0685 AND -0800 AND ON)**  
 ILLUSTRATED PARTS CATALOG

PART NUMBER	CH	SEC	SUBJ	FIG	ITEM	REQ	PART NUMBER	CH	SEC	SUBJ	FIG	ITEM	REQ
MS21042L3			27-50-01-01		-035	01	MS21042L4			56-10-00-01		-012	04
MS21042L3			27-50-01-01		-040	01	MS21042L4			56-10-00-01		-019	32
MS21042L3			28-20-00-02		-018	01	MS21042L4			56-10-00-01		-031	26
MS21042L3			29-10-00-01		-120	01	MS21042L4			56-10-00-01		-082	26
MS21042L3			29-10-00-01		-156	01	MS21042L4			56-10-00-01		-101	23
MS21042L3			29-10-00-01		-192	01	MS21042L5			32-50-00-01		-099	01
MS21042L3			29-10-00-01		-234	01	MS21042L5			55-30-00-01		-010	08
MS21042L3			29-10-00-01		-261	01	MS21042L6			55-30-00-01		-012	10
MS21042L3			30-10-00-01		-078	02	MS21043-08			71-50-00-01		-007	06
MS21042L3			30-10-00-01		-106	02	MS21043-08			71-50-00-01		-081	06
MS21042L3			30-40-00-01		-168	07	MS21043-3			24-30-01-01		-085	01
MS21042L3			32-10-00-01		-017	01	MS21043-3			24-30-01-01		-093	01
MS21042L3			32-30-00-02		-179	01	MS21043-3			25-20-05-01		-239	02
MS21042L3			32-30-00-06		-007	01	MS21043-3			28-10-00-01		-008	01
MS21042L3			32-41-00-03		-009	02	MS21043-3			28-10-00-01		-023	01
MS21042L3			32-41-00-05		-111	02	MS21043-3			28-10-00-01		-047	04
MS21042L3			32-50-00-01		-040	03	MS21043-3			28-20-00-01		-021	03
MS21042L3			32-50-00-01		-043	02	MS21043-3			28-20-00-01		-080	01
MS21042L3			32-70-00-02		-007	04	MS21043-3			28-20-00-01		-107	01
MS21042L3			35-00-00-01		-093	01	MS21043-3			28-20-00-02		-042	01
MS21042L3			35-00-00-01		-096	01	MS21043-3			36-10-00-01		-019	06
MS21042L3			35-10-00-01		-011	01	MS21043-3			36-10-00-01		-051	01
MS21042L3			35-10-00-01		-014	01	MS21043-3			36-10-00-03		-034	01
MS21042L3			38-30-00-01		-111	04	MS21043-3			36-10-00-03		-042	01
MS21042L3			38-30-00-01		-115	02	MS21043-3			71-60-00-01		-004	09
MS21042L3			52-10-00-01		-020	08	MS21043-3			73-10-00-01		-016	01
MS21042L3			52-10-00-01		-082	01	MS21043-3			76-10-01-02		-108	01
MS21042L3			52-10-00-01		-094	01	MS21043-5			29-10-00-01		-004	04
MS21042L3			52-10-00-02		-045	04	MS21043-5			80-10-00-01		-003	04
MS21042L3			52-10-00-02		-095	03	MS21043-6			54-10-00-01		-038	04
MS21042L3			52-10-00-02		-101	02	MS21044B08			23-30-00-01		-007	04
MS21042L3			52-10-00-02		-157	03	MS21044B08			23-30-01-01		-008	04
MS21042L3			52-10-00-02		-169	03	MS21044C08			53-11-00-01		-092	02
MS21042L3			52-10-00-02		-177	04	MS21044C08			53-11-00-01		-099	02
MS21042L3			52-10-00-03		-105	04	MS21044C08			53-11-00-01A		-027	03
MS21042L3			52-10-01-01		-080	01	MS21044C08			53-11-00-01A		-043	02
MS21042L3			52-10-01-01		-163	01	MS21044C08			53-11-00-01A		-083	01
MS21042L3			52-30-00-01		-091	02	MS21044C3			53-11-00-01A		-026	02
MS21042L3			52-30-00-01		-100	03	MS21044C3			53-11-00-01A		-044	02
MS21042L3			52-30-00-01		-105	02	MS21044C4			53-10-01-01		-005	04
MS21042L3			52-30-00-02		-084	02	MS21044D3			33-40-00-03		-018	01
MS21042L3			52-30-00-02		-093	02	MS21044D3			34-11-00-02		-105	01
MS21042L3			52-80-00-01		-006	02	MS21044D4			25-30-00-03		-107	04
MS21042L3			52-80-00-01		-019	02	MS21044N04			32-30-00-01		-027	04
MS21042L3			52-80-00-01		-028	02	MS21044N06			21-21-00-02		-008	02
MS21042L3			52-80-00-01		-089	04	MS21044N06			25-10-02-03		-017	04
MS21042L3			53-20-00-01		-030	10	MS21044N06			25-10-02-03		-085	02
MS21042L3			53-20-00-01		-174	01	MS21044N06			32-30-00-04		-049	01
MS21042L3			55-30-01-01		-083	06	MS21044N06			33-10-01-01		-005A	03
MS21042L3			56-10-00-01		-011	04	MS21044N06			35-00-00-01		-029	01
MS21042L3			56-10-00-01		-026	25	MS21044N06			76-10-01-02		-049	01
MS21042L3			56-10-00-01		-084	18	MS21044N08			22-10-00-01		-033	03
MS21042L3			56-10-00-01		-103	17	MS21044N08			22-10-00-01		-092	03
MS21042L3			56-10-00-01		-104	19	MS21044N08			27-10-00-01		-041	02
MS21042L4			27-10-02-03		-009	01	MS21044N08			27-10-00-01		-097	02
MS21042L4			27-50-01-01		-026	02	MS21044N08			27-10-02-01		-016	02
MS21042L4			28-20-00-01		-094	04	MS21044N08			27-10-02-01		-016	02
MS21042L4			38-30-00-01		-097	04	MS21044N08			27-10-02-02		-004	04
MS21042L4			38-30-00-01		-102	04	MS21044N08			27-10-02-02		-053	01
MS21042L4			38-30-00-01		-119	02	MS21044N08			27-20-00-01		-018	01
MS21042L4			52-10-00-01		-077	01	MS21044N08			27-20-01-01		-154	02
MS21042L4			55-30-00-01		-009	08	MS21044N08			27-20-02-01		-023	02
MS21042L4							MS21044N08			27-30-00-01		-006	01

CESSNA®  
**MODEL 525 (SERIALS -0685 AND -0800 AND ON)**  
 ILLUSTRATED PARTS CATALOG

PART NUMBER	CH	SEC	SUBJ	FIG	ITEM	REQ	PART NUMBER	CH	SEC	SUBJ	FIG	ITEM	REQ
MS21044N08	27	30	02	01	-083	03	MS21044N3	32	30	00	03	-088	01
MS21044N08	27	30	02	02	-031	02	MS21044N3	32	30	00	04	-014	01
MS21044N08	27	60	00	02	-099A	01	MS21044N3	32	30	00	05	-010	02
MS21044N08	27	70	00	01	-032	01	MS21044N3	32	30	00	06	-004	01
MS21044N08	30	40	00	01	-006	02	MS21044N3	32	30	00	06	-012	02
MS21044N08	30	40	00	01	-110	02	MS21044N3	32	30	00	06	-017	01
MS21044N08	32	30	00	01	-032	02	MS21044N3	32	30	00	06	-026	02
MS21044N08	32	30	00	03	-082	03	MS21044N3	32	30	00	06	-031	01
MS21044N08	32	30	00	06	-022	01	MS21044N3	32	30	00	06	-041	01
MS21044N08	33	10	01	01	-005	03	MS21044N3	32	30	01	03	-017	02
MS21044N08	52	80	00	01	-124	06	MS21044N3	32	30	01	03	-023	02
MS21044N3	21	50	00	01	-012	04	MS21044N3	32	30	01	03	-034	01
MS21044N3	21	50	01	01	-005	04	MS21044N3	32	30	01	03	-039	01
MS21044N3	21	50	01	02	-004	04	MS21044N3	32	30	01	04	-031	01
MS21044N3	21	60	00	01	-004	04	MS21044N3	32	30	01	04	-035	01
MS21044N3	27	10	01	01	-029	02	MS21044N3	32	30	01	04	-099	01
MS21044N3	27	10	02	01	-022	01	MS21044N3	32	30	02	01	-050	01
MS21044N3	27	10	02	03	-024	01	MS21044N3	32	41	00	01	-012	01
MS21044N3	27	10	02	03	-031	01	MS21044N3	32	41	00	01	-041	01
MS21044N3	27	10	02	03	-040	01	MS21044N3	32	41	00	01	-044A	01
MS21044N3	27	20	00	02	-005	04	MS21044N3	32	41	00	01	-046	02
MS21044N3	27	20	00	02	-017	06	MS21044N3	32	41	00	01	-056	01
MS21044N3	27	20	00	02	-032	01	MS21044N3	32	41	00	01	-078	01
MS21044N3	27	20	01	01	-003	02	MS21044N3	32	41	00	01	-094	01
MS21044N3	27	20	01	01	-016	01	MS21044N3	32	41	00	01	-163	03
MS21044N3	27	20	01	01	-044	01	MS21044N3	32	41	00	01	-168	02
MS21044N3	27	20	01	01	-084	06	MS21044N3	32	41	00	01	-183	01
MS21044N3	27	20	01	01	-102	03	MS21044N3	32	41	00	02	-007	01
MS21044N3	27	20	01	01	-107	02	MS21044N3	32	41	00	02	-014	01
MS21044N3	27	20	02	01	-011	01	MS21044N3	32	41	00	03	-030	01
MS21044N3	27	20	02	01	-018	01	MS21044N3	32	41	00	03	-036	01
MS21044N3	27	20	02	01	-088	02	MS21044N3	32	41	00	03	-050	01
MS21044N3	27	30	02	01	-023	02	MS21044N3	32	41	00	03	-116	01
MS21044N3	27	30	02	02	-016	01	MS21044N3	32	41	00	03	-156	02
MS21044N3	27	30	02	02	-021	01	MS21044N3	32	41	00	05	-014	01
MS21044N3	27	30	02	02	-032	02	MS21044N3	32	41	00	05	-018	01
MS21044N3	27	30	02	02	-042	01	MS21044N3	32	41	01	01	-018	01
MS21044N3	27	50	00	01	-013	01	MS21044N3	32	50	00	01	-087	04
MS21044N3	27	50	00	01	-019	01	MS21044N3	32	50	00	01	-092	02
MS21044N3	27	50	00	02	-045	04	MS21044N3	34	11	00	01	-012	01
MS21044N3	27	50	00	02	-080	02	MS21044N3	35	00	00	01	-018	04
MS21044N3	27	70	00	01	-003	02	MS21044N3	35	00	00	01	-041	01
MS21044N3	27	70	00	01	-012	01	MS21044N3	35	00	00	01	-046	01
MS21044N3	27	70	00	01	-015	01	MS21044N3	35	00	00	01	-078	01
MS21044N3	27	70	00	01	-041	01	MS21044N3	35	00	00	01	-084	01
MS21044N3	27	70	00	01	-167	02	MS21044N3	36	10	00	01	-159	01
MS21044N3	30	40	00	01	-017	01	MS21044N3	36	10	00	02	-006	02
MS21044N3	30	40	00	01	-026	03	MS21044N3	36	10	00	02	-009	01
MS21044N3	30	40	00	01	-037	03	MS21044N3	36	10	00	03	-023	01
MS21044N3	30	40	00	01	-040	01	MS21044N3	52	10	00	03	-082	01
MS21044N3	30	40	00	01	-045	01	MS21044N3	52	20	00	01	-005	01
MS21044N3	30	40	00	01	-078	04	MS21044N3	53	10	00	04	-020	04
MS21044N3	30	40	00	01	-085	03	MS21044N3	53	10	00	04	-046	02
MS21044N3	30	40	00	01	-092	02	MS21044N3	53	20	00	01	-055	01
MS21044N3	30	40	00	01	-098	01	MS21044N3	53	20	01	01	-017	01
MS21044N3	30	40	00	01	-102	01	MS21044N3	55	30	01	01	-093	10
MS21044N3	30	40	00	01	-152	01	MS21044N3	55	30	01	01	-100	02
MS21044N3	30	40	00	02	-015	01	MS21044N3	55	40	00	01	-108	06
MS21044N3	30	40	00	02	-025	01	MS21044N3	57	60	00	01	-014	06
MS21044N3	30	40	00	03	-013	04	MS21044N3	57	60	00	01	-027	04
MS21044N3	32	30	00	03	-030	01	MS21044N3	76	10	01	01	-097	03
MS21044N3	32	30	00	03	-052	01	MS21044N3	76	10	01	03	-006	01

CESSNA®  
**MODEL 525 (SERIALS -0685 AND -0800 AND ON)**  
 ILLUSTRATED PARTS CATALOG

PART NUMBER	CH	SEC	SUBJ	FIG	ITEM	REQ	PART NUMBER	CH	SEC	SUBJ	FIG	ITEM	REQ
MS21044N3	76-10-01-03				-028	05	MS21047L08	25-21-00-02				-080	02
MS21044N4	27-10-00-03				-006	01	MS21047L08	30-40-00-01				-228	04
MS21044N4	27-10-00-03				-017	01	MS21047L08	52-20-00-01				-047	02
MS21044N4	27-10-00-03				-025	01	MS21047L08	52-20-00-01				-085	02
MS21044N4	27-20-00-02				-034	01	MS21047L08	53-11-00-01A				-046	02
MS21044N4	27-20-01-01				-020	01	MS21047L08	53-40-00-02				-161	52
MS21044N4	27-20-01-01				-048	01	MS21047L3	27-70-00-01				-007	01
MS21044N4	27-20-01-01				-079	01	MS21047L3	32-41-00-03				-085	04
MS21044N4	27-20-01-01				-097	11	MS21047L3	32-41-00-03				-103	01
MS21044N4	27-20-01-01				-098	12	MS21047L3	35-00-00-01				-021	02
MS21044N4	27-20-02-01				-033	01	MS21047L3	36-10-00-03				-007	03
MS21044N4	27-20-02-01				-082	01	MS21047L3	52-10-00-02				-227	01
MS21044N4	27-20-02-01				-100	01	MS21047L3	52-10-00-02				-232	01
MS21044N4	27-30-02-02				-081	01	MS21047L3	52-10-00-02				-251	01
MS21044N4	27-30-02-02				-086	01	MS21047L3	52-20-00-01				-003	01
MS21044N4	27-30-02-02				-096	01	MS21047L3	52-40-00-01				-024	02
MS21044N4	29-10-00-02				-078	04	MS21047L3	52-40-00-01				-030	02
MS21044N4	30-40-00-01				-030	01	MS21047L3	53-20-00-01				-049	20
MS21044N4	32-30-00-03				-031	01	MS21047L3	53-20-00-01				-058	01
MS21044N4	32-30-00-03				-104	01	MS21047L3	53-20-04-01				-004	06
MS21044N4	32-30-00-03				-173	01	MS21047L3	53-20-04-01				-078	02
MS21044N4	32-30-00-04				-034	01	MS21047L3	53-21-00-01				-004	08
MS21044N4	32-30-00-05				-015	01	MS21047L3	53-21-00-01				-009	01
MS21044N4	32-30-00-05				-021	01	MS21047L3	53-21-00-01				-012	10
MS21044N4	32-30-02-01				-044	02	MS21047L3	53-21-00-01				-017	08
MS21044N4	32-50-00-01				-046	01	MS21047L3	53-21-00-01				-022	15
MS21044N4	53-10-00-04				-025	02	MS21047L3	53-21-00-01				-026	18
MS21044N4	53-20-00-02				-016	01	MS21047L3	53-21-00-01				-031	03
MS21044N4	53-20-00-02				-030	01	MS21047L3	53-21-00-01				-036	03
MS21044N4	53-20-00-02				-081	01	MS21047L3	53-21-00-01				-040	06
MS21044N4	53-20-00-02				-088	01	MS21047L3	53-21-00-01				-043	10
MS21044N4	53-20-00-02				-100	01	MS21047L3	53-21-00-01				-047	15
MS21044N5	27-30-01-01				-099	01	MS21047L3	53-21-00-01				-091	02
MS21044N5	32-50-00-01				-027	01	MS21047L3	53-21-00-03				-017	09
MS21044N5	32-50-00-01				-154	01	MS21047L3	53-21-00-04				-009	01
MS21045-6	24-50-04-01				-011	01	MS21047L3	53-21-00-04				-019	03
MS21045C4	71-00-00-01				-022	06	MS21047L3	53-21-00-05				-024	02
MS21045L3	21-10-00-01				-023	01	MS21047L3	53-40-00-02				-020	01
MS21045L3	21-10-00-01				-027	02	MS21047L3	53-40-00-02				-160	02
MS21045L3	21-10-00-01				-031	02	MS21047L3	55-20-00-01				-093	01
MS21045L3	21-20-01-01				-018	01	MS21047L3	55-20-00-01				-159	02
MS21045L3	30-40-00-03				-039	02	MS21047L3	55-20-00-01				-181	01
MS21045L3	30-40-00-03				-097	01	MS21047L3	55-40-00-01				-027	03
MS21045L3	30-40-00-03				-118	04	MS21047L3	57-60-00-02				-166	02
MS21045L3	52-10-00-01				-012	01	MS21047L4	23-10-00-01				-024	08
MS21045L3	53-20-00-01				-005	01	MS21047L4	27-70-00-01				-180	02
MS21045L3	53-20-00-01				-011	01	MS21047L4	32-20-00-01				-018	02
MS21045L3	53-20-00-01				-021	01	MS21047L4	32-41-00-03				-023	02
MS21045L3	53-20-00-01				-038	01	MS21047L4	52-10-00-01				-003	01
MS21045L3	53-20-00-01				-105	02	MS21048-3	29-10-00-01				-006	01
MS21047-08	53-21-00-01				-175	06	MS21048L06	57-60-00-02				-108	01
MS21047L04	25-21-00-02				-091	01	MS21048L3	53-10-00-01				-084	11
MS21047L06	53-20-01-01				-024	11	MS21049L08	55-20-00-01				-045	04
MS21047L06	57-60-00-03				-009	01	MS21049L08K	53-50-00-02				-164	32
MS21047L06	57-60-00-03				-099A	01	MS21049L08K	54-50-00-02				-003	14
MS21047L06	76-12-00-01				-003	02	MS21049L08K	54-50-00-02				-009	11
MS21047L08	23-70-00-01				-018	02	MS21049L08K	54-50-00-02				-013	10
MS21047L08	25-10-00-01				-011	04	MS21050L08	55-10-01-01				-004	04
MS21047L08	25-10-00-01				-020	04	MS21050L08	55-10-01-01				-009	06
MS21047L08	25-10-02-01				-022	01	MS21050L3	55-30-01-02				-004	38
MS21047L08	25-20-02-02				-099	04	MS21050L3	55-30-01-02				-007	18
MS21047L08	25-20-02-02				-100	06	MS21051-08	53-21-00-04				-010	01

CESSNA®  
**MODEL 525 (SERIALS -0685 AND -0800 AND ON)**  
 ILLUSTRATED PARTS CATALOG

PART NUMBER	CH SEC SUBJ FIG	ITEM	REQ	PART NUMBER	CH SEC SUBJ FIG	ITEM	REQ
MS21051-3	32-41-00-01	-099	01	MS21059L08	53-20-04-01	-007	02
MS21051-4	27-70-00-01	-103	01	MS21059L08	53-20-04-01	-020	02
MS21051L08	23-16-00-01	-022	01	MS21059L08	53-20-04-01	-023	08
MS21051L08	34-61-05-01	-015	18	MS21059L08	53-20-04-01	-113	01
MS21051L08	53-11-00-02	-077	02	MS21059L08	53-20-04-01	-114	11
MS21051L08	53-11-00-02A	-077	02	MS21059L08	53-20-07-01	-028	27
MS21051L08K	53-11-00-02	-100	01	MS21059L08	53-50-00-02	-018	16
MS21051L08K	53-11-00-02	-105	01	MS21059L08	53-50-00-02	-079	24
MS21051L08K	53-11-00-02A	-096	01	MS21059L08	53-50-00-02	-086	07
MS21051L3	52-10-00-03	-011	AR	MS21059L08	53-50-00-02	-092	03
MS21051L3	52-40-00-01	-018	04	MS21059L08	53-50-00-02	-102	03
MS21051L3	52-40-00-01	-025	01	MS21059L08	53-50-00-02	-108	34
MS21051L3	52-40-00-01	-031	02	MS21059L08	53-50-00-02	-173	06
MS21051L3	53-20-04-01	-079	02	MS21059L08	53-50-00-02	-178	23
MS21051L3	53-21-00-01	-008	04	MS21059L08	53-50-00-02	-227	17
MS21051L3	53-21-00-01	-027	02	MS21059L08	53-50-00-02	-238	05
MS21051L3	53-30-00-02	-018	01	MS21059L08	55-10-00-03	-006	16
MS21051L4	32-41-00-03	-021	02	MS21059L08	55-31-00-01	-011	05
MS21052-3	30-40-00-03	-038	02	MS21059L08	55-31-00-01	-015	04
MS21052L06	53-10-00-01	-085	01	MS21059L08	55-31-00-01	-020	24
MS21052L3	34-11-00-01	-026	01	MS21059L08	57-30-00-02	-017	23
MS21054L08	55-10-01-01	-010	02	MS21059L08K	54-50-01-01	-010	01
MS21055L08	25-10-01-01	-019	01	MS21059L08K	55-10-00-03	-005	06
MS21055L3	25-21-00-03	-006	02	MS21059L08K	71-10-00-01	-080	12
MS21055L3	25-21-00-03	-015	02	MS21059L3	23-10-02-01	-017	04
MS21055L3	25-21-00-03	-025	02	MS21059L3	25-20-02-02	-107	01
MS21055L3	25-26-00-01	-026	02	MS21059L3	25-26-00-01	-049	02
MS21055L3	25-26-00-01	-043	02	MS21059L3	25-26-00-01	-084	02
MS21055L3	25-26-00-01	-083	01	MS21059L3	25-26-00-01	-086	02
MS21055L3	25-30-00-03	-018	02	MS21059L3	25-26-00-01	-091	01
MS21055L3	53-21-00-01	-013	04	MS21059L3	25-30-00-03	-023	02
MS21055L3	53-30-00-02	-019	01	MS21059L3	25-30-00-03	-088	04
MS21055L4	27-10-00-02	-004	01	MS21059L3	25-70-00-01	-087	04
MS21056-3K	57-40-00-01	-085	02	MS21059L3	27-30-01-01	-188	02
MS21056L08	25-70-00-02	-021	02	MS21059L3	28-10-00-01	-009	01
MS21056L08	25-70-00-02	-036	01	MS21059L3	52-80-00-01	-117	05
MS21056L3	34-50-00-01	-009	04	MS21059L3	53-11-00-01	-031	04
MS21059-08	21-20-00-01	-005	04	MS21059L3	53-11-00-01A	-180	04
MS21059-08	25-21-00-01	-021	01	MS21059L3	53-20-01-01	-014	01
MS21059-08	54-50-01-01	-030	01	MS21059L3	53-20-01-01	-034	03
MS21059-3	26-20-01-01	-009	04	MS21059L3	53-20-04-01	-088	02
MS21059-3	34-11-00-01	-037	01	MS21059L3	53-20-04-01	-129	02
MS21059-3	34-11-00-02	-020	01	MS21059L3	53-21-00-01	-044	02
MS21059-3	34-11-00-02	-026	02	MS21059L3	53-21-00-02	-028	01
MS21059-3	34-11-00-02	-032	01	MS21059L3	53-21-00-04	-026	08
MS21059-3	34-11-00-02	-079	01	MS21059L3	53-21-00-05	-006	15
MS21059-3	34-11-00-02	-116	01	MS21059L3	55-30-00-01	-019	32
MS21059-3	36-10-00-01	-053	03	MS21059L3	57-10-00-03	-246	05
MS21059-4	26-20-00-01	-006	03	MS21059L3	57-20-01-01	-011	23
MS21059L04	25-10-02-02	-012	01	MS21059L3K	55-20-00-01	-027	04
MS21059L04	25-29-00-01	-005A	02	MS21059L4	21-50-02-01	-018	04
MS21059L06	25-29-00-01	-005	02	MS21059L4	52-40-00-01	-033	04
MS21059L06	34-30-00-01	-008	02	MS21060-3	27-30-01-01	-177	03
MS21059L08	23-50-00-02	-004	02	MS21060-3	53-21-00-01	-161	05
MS21059L08	23-50-00-02	-011	02	MS21060-3	53-21-00-01	-183	03
MS21059L08	25-10-02-02	-178	06	MS21060-3	57-40-00-01	-088	05
MS21059L08	25-30-00-01	-013	01	MS21060L08	53-11-00-03	-023	01
MS21059L08	25-30-00-02	-009	01	MS21060L08K	76-10-01-01	-011	02
MS21059L08	25-60-00-01	-022	04	MS21060L08K	76-10-01-01	-094	02
MS21059L08	25-70-00-02	-019	01	MS21060L3	38-30-00-01	-172	02
MS21059L08	25-70-00-02	-037	01	MS21060L3	53-21-00-01	-179	03
MS21059L08	53-11-00-03	-010	03	MS21060L3K	55-30-00-03	-047	08

CESSNA®  
**MODEL 525 (SERIALS -0685 AND -0800 AND ON)**  
 ILLUSTRATED PARTS CATALOG

PART NUMBER	CH SEC SUBJ FIG	ITEM	REQ	PART NUMBER	CH SEC SUBJ FIG	ITEM	REQ
MS21061-04	25-22-00-01	-013	04	MS21069L04	11-SP-23-02	-003	04
MS21061-08	53-21-00-02	-092	02	MS21069L04	11-T7-23-02	-003	04
MS21061-3	55-30-00-01	-017	10	MS21069L04	11-VH-23-02	-003	04
MS21061L08	53-11-00-01	-015	08	MS21069L04	11-YR-23-02	-003	04
MS21061L08	53-11-00-01	-088	02	MS21069L04	25-10-00-01	-019	02
MS21061L08	53-11-00-01A	-014	02	MS21069L04	25-10-00-01	-030	04
MS21061L08	53-11-00-01A	-164	08	MS21069L04	33-30-00-02	-004	04
MS21061L08	53-20-07-01	-029	07	MS21069L04	52-80-00-01	-128	10
MS21061L08	53-50-00-02	-080	05	MS21069L04	57-40-00-01	-096	02
MS21061L08	53-50-00-02	-087	01	MS21069L06	23-10-00-01	-034	06
MS21061L08	53-50-00-02	-109	06	MS21069L06	25-10-00-01	-012	08
MS21061L08	53-50-00-02	-179	02	MS21069L06	25-10-00-01	-024	09
MS21061L08	55-31-00-01	-013	02	MS21069L06	25-10-02-02	-168	01
MS21061L08	57-30-00-02	-012	04	MS21069L06	25-20-00-02	-025	01
MS21061L08K	76-10-01-01	-010	02	MS21069L06	25-20-00-02	-034	06
MS21061L08K	76-10-01-01	-093	02	MS21069L06	25-20-01-01	-038	14
MS21061L3	29-10-00-01	-084	01	MS21069L06	30-30-00-01	-007	06
MS21061L3	38-30-00-01	-090	04	MS21069L06	30-40-00-01	-194	05
MS21061L3	53-12-00-01	-007	04	MS21069L06	33-50-00-01	-004	02
MS21061L3	53-20-00-02	-106	02	MS21069L06	34-52-00-01	-016	05
MS21061L3	53-21-00-05	-007	12	MS21069L06	34-52-00-01	-020	04
MS21061L3	76-12-00-01	-006	02	MS21069L06	34-61-05-01	-006	04
MS21061L3	76-12-00-01	-009	01	MS21069L06	53-50-00-02	-014	04
MS21062-3	27-30-01-01	-178	01	MS21069L06	53-50-00-02	-097	04
MS21062L08	52-10-00-03	-121	02	MS21069L06	55-20-00-01	-108	01
MS21069-03	23-70-00-01	-014	03	MS21069L06K	25-10-00-01	-006	04
MS21069-04	55-31-00-01	-021	02	MS21069L06K	25-10-00-02	-013	04
MS21069-06	25-10-02-03	-094	01	MS21069L06K	25-20-00-02	-018	01
MS21069-06	25-21-00-01	-016	02	MS21069L08	21-60-00-01	-018	01
MS21069-06	52-10-00-01	-029	02	MS21069L08	23-70-00-01	-022	01
MS21069-08	23-70-00-01	-015	03	MS21069L08	23-70-00-01	-029	01
MS21069-08	30-40-00-01	-014	01	MS21069L08	25-10-00-02	-037	02
MS21069-08	52-10-00-03	-125	02	MS21069L08	25-20-01-02	-021	01
MS21069-08	53-10-00-01	-028	01	MS21069L08	25-20-02-01	-011	04
MS21069-08	53-20-00-01	-050	08	MS21069L08	25-70-00-02	-025	02
MS21069-08	53-30-00-01	-030	02	MS21069L08	27-10-02-02	-027	03
MS21069-08	55-31-00-01	-022	02	MS21069L08	34-44-01-01	-017	08
MS21069-08K	54-50-01-01	-018	04	MS21069L08	34-46-00-02	-004	06
MS21069-3	30-40-00-01	-022	01	MS21069L08	34-51-00-01	-008	04
MS21069-3	53-10-00-01	-095	02	MS21069L08	34-61-05-01	-013	12
MS21069-3	53-30-00-02	-015	02	MS21069L08	35-30-00-02	-005	05
MS21069-3	55-20-00-01	-052	01	MS21069L08	52-10-01-02	-007	02
MS21069-4	29-10-00-02	-038	02	MS21069L08	52-20-00-01	-025	02
MS21069-4	29-10-00-02	-040	03	MS21069L08	52-30-00-01	-086	03
MS21069-5	27-50-00-02	-025	01	MS21069L08	52-30-00-02	-080	03
MS21069L04	11-C-23-02	-003	04	MS21069L08	53-11-00-01	-004	02
MS21069L04	11-CR-23-02	-003	04	MS21069L08	53-11-00-01	-006	06
MS21069L04	11-D-23-02	-003	04	MS21069L08	53-11-00-01	-078	04
MS21069L04	11-F-23-02	-003	04	MS21069L08	53-11-00-01	-080	06
MS21069L04	11-G-23-02	-003	04	MS21069L08	53-11-00-01A	-005	02
MS21069L04	11-HB-23-02	-003	04	MS21069L08	53-11-00-01A	-006	06
MS21069L04	11-HL-23-02	-003	04	MS21069L08	53-11-00-01A	-154	02
MS21069L04	11-I-23-02	-003	04	MS21069L08	53-11-00-01A	-155	06
MS21069L04	11-JA-23-02	-003	04	MS21069L08	53-20-04-01	-086	06
MS21069L04	11-LX-23-02	-003	04	MS21069L08	53-20-04-01	-101	01
MS21069L04	11-M-23-02	-003	04	MS21069L08	53-20-04-01	-103	03
MS21069L04	11-N-23-02	-003	04	MS21069L08	53-21-00-02	-105	02
MS21069L04	11-OK-23-02	-003	04	MS21069L08	53-50-00-02	-232	02
MS21069L04	11-OY-23-02	-003	04	MS21069L08	56-10-00-02	-021	02
MS21069L04	11-PP-23-03	-003	04	MS21069L08	57-60-00-02	-100	10
MS21069L04	11-RP-23-02	-003	04	MS21069L08	57-70-00-01	-018	01
MS21069L04	11-RS-23-02	-003	04	MS21069L08	57-70-00-01	-032	01

CESSNA®  
**MODEL 525 (SERIALS -0685 AND -0800 AND ON)**  
 ILLUSTRATED PARTS CATALOG

PART NUMBER	CH	SEC	SUBJ	FIG	ITEM	REQ	PART NUMBER	CH	SEC	SUBJ	FIG	ITEM	REQ
MS21069L08K	25	10	00	02	-011	02	MS21070-08	53	21	00	04	-011	01
MS21069L08K	25	10	00	02	-027	02	MS21070-08	53	21	00	04	-018	06
MS21069L08K	25	70	00	02	-026	03	MS21070-4	27	10	00	04	-026	01
MS21069L08K	25	70	00	02	-029	03	MS21070L06	27	30	02	01	-013	01
MS21069L08K	53	11	00	02	-098	08	MS21070L08	25	11	00	01	-006	02
MS21069L08K	53	11	00	02	-104	06	MS21070L08	25	70	00	02	-045	02
MS21069L08K	53	11	00	02A	-094	08	MS21070L08	53	11	00	03	-009	02
MS21069L08K	54	50	01	01	-003	04	MS21070L3	71	60	00	01	-017	14
MS21069L3	24	30	00	01	-013	04	MS21071-04	28	10	00	02	-015	02
MS21069L3	24	40	00	01	-014	02	MS21071-04	28	20	00	01	-036	02
MS21069L3	25	20	00	01	-085	03	MS21071-06	24	50	00	01	-005	02
MS21069L3	27	10	00	03	-013	04	MS21071-06	30	30	00	01	-014	02
MS21069L3	27	20	00	02	-153	02	MS21071-08	23	70	00	01	-016	01
MS21069L3	27	30	00	01	-083	02	MS21071-08	25	20	02	02	-113	02
MS21069L3	27	30	01	01	-083	02	MS21071-08	53	21	00	04	-016	02
MS21069L3	27	30	01	01	-087	04	MS21071-3	27	20	00	02	-092	01
MS21069L3	27	30	01	01	-091	02	MS21071-3	34	11	00	01	-039	01
MS21069L3	27	50	01	01	-045	03	MS21071-3	34	11	00	02	-112	01
MS21069L3	29	10	00	01	-093	01	MS21071-3	53	20	03	01	-232	02
MS21069L3	32	30	00	03	-167	01	MS21071-3	53	20	03	01	-269	02
MS21069L3	32	41	00	03	-108	02	MS21071L04	25	20	02	02	-090	02
MS21069L3	52	10	00	01	-112	04	MS21071L04	33	30	00	01	-004	04
MS21069L3	52	10	00	02	-051	04	MS21071L06	21	22	00	01	-005	02
MS21069L3	52	10	00	02	-242	01	MS21071L06	26	20	00	02	-007	06
MS21069L3	52	10	00	03	-004	04	MS21071L06	53	20	01	01	-025	05
MS21069L3	52	10	00	03	-009	AR	MS21071L06K	25	20	00	02	-022	02
MS21069L3	52	10	00	03	-010	02	MS21071L08	23	70	00	01	-023	03
MS21069L3	52	10	00	03	-131	10	MS21071L08	23	70	00	01	-026	01
MS21069L3	52	10	01	02	-008	04	MS21071L08	23	70	00	01	-028	04
MS21069L3	53	10	00	01	-044	02	MS21071L08	25	26	00	01	-030	02
MS21069L3	53	10	00	02	-168	02	MS21071L08	25	30	00	01	-002	02
MS21069L3	53	11	00	01	-038	02	MS21071L08	25	30	00	03	-008	02
MS21069L3	53	11	00	01A	-186	02	MS21071L08	27	10	02	02	-028	01
MS21069L3	53	11	00	02	-054	01	MS21071L08	52	30	00	02	-018	02
MS21069L3	53	20	00	01	-023	01	MS21071L08	52	60	00	02	-077	03
MS21069L3	53	20	00	02	-026	04	MS21071L08	53	10	00	01	-090	03
MS21069L3	53	20	00	02	-027	02	MS21071L08	53	20	01	01	-053	08
MS21069L3	53	20	03	01	-092	04	MS21071L08	53	20	04	01	-087	02
MS21069L3	53	20	04	01	-015	02	MS21071L08	53	20	07	01	-259	04
MS21069L3	53	20	04	01	-024	03	MS21071L08	76	10	01	02	-083	01
MS21069L3	53	20	04	01	-035	14	MS21071L3	25	11	00	01	-029	02
MS21069L3	53	20	04	01	-104	01	MS21071L3	27	30	01	01	-092	02
MS21069L3	55	10	00	01	-097	01	MS21071L3	27	30	01	01	-170	02
MS21069L3	55	40	00	01	-041	01	MS21071L3	27	31	00	01	-010	02
MS21069L3	55	40	00	01	-094	06	MS21071L3	34	40	00	01	-004	04
MS21069L3	55	40	00	01	-167	01	MS21071L3	52	60	00	01	-031	03
MS21069L3	56	10	00	01	-014	04	MS21071L3	52	60	00	01	-092	04
MS21069L3	56	10	00	02	-020	01	MS21071L3	52	60	00	02	-081	04
MS21069L3	56	10	00	02	-022	01	MS21071L3	52	60	00	02	-087	03
MS21069L3	57	50	00	01	-118	08	MS21071L3K	25	20	02	02	-112	02
MS21069L3K	55	40	00	01	-087	01	MS21071L4	52	10	00	02	-108	02
MS21069L4	24	20	00	01	-008	04	MS21072L06	25	10	00	01	-027	06
MS21069L4	24	20	00	02	-008	04	MS21072L06	25	10	00	01	-033	04
MS21069L4	25	70	00	01	-010	04	MS21072L06	25	10	00	02	-039	06
MS21069L4	27	20	00	02	-038	01	MS21072L06	53	20	01	01	-090	04
MS21069L4	32	30	00	02	-026	02	MS21072L3	32	50	00	01	-113	04
MS21069L4	32	30	00	03	-083	01	MS21072L3	52	10	00	02	-052	03
MS21069L4	32	50	00	01	-077	01	MS21072L3	52	60	00	01	-111	01
MS21069L4	32	50	00	01	-112	01	MS21072L3	52	60	00	02	-051	01
MS21069L4	52	60	00	01	-110	01	MS21072L3	52	60	00	02	-097	01
MS21069L4	52	60	00	02	-050	01	MS21073-06	25	10	02	03	-096	01
MS21069L4	52	60	00	02	-096	01	MS21073-06	25	10	02	03	-098	04

CESSNA®  
**MODEL 525 (SERIALS -0685 AND -0800 AND ON)**  
 ILLUSTRATED PARTS CATALOG

PART NUMBER	CH SEC SUBJ FIG	ITEM	REQ	PART NUMBER	CH SEC SUBJ FIG	ITEM	REQ
MS21073-06	57-40-00-01	-097	02	MS21075L08N	21-50-01-02	-006	04
MS21073-08	52-80-00-01	-014	03	MS21075L08N	21-50-01-02	-008	01
MS21073-08	53-21-00-04	-012	02	MS21075L08N	23-10-02-01	-008	06
MS21073-3	25-20-05-01	-458	01	MS21075L08N	23-16-00-01	-018	02
MS21073-3	53-10-00-02	-014	02	MS21075L08N	23-16-00-01	-021	02
MS21073-3	53-10-00-02	-017	02	MS21075L08N	23-16-00-01	-036	01
MS21073-3	53-12-00-01	-034	02	MS21075L08N	24-20-00-03	-015	04
MS21073-4	29-10-00-02	-043	01	MS21075L08N	24-30-02-01	-007	02
MS21073L04	25-10-00-01	-018	02	MS21075L08N	24-40-00-01	-021	03
MS21073L06	26-20-00-02	-009	02	MS21075L08N	24-50-00-01	-004	04
MS21073L06	53-20-04-01	-121	02	MS21075L08N	24-50-02-03	-003	01
MS21073L08	53-11-00-02	-014	04	MS21075L08N	24-50-02-03	-005	02
MS21073L08	53-11-00-02A	-013	04	MS21075L08N	24-50-02-03	-012	01
MS21073L3	52-10-00-03	-020	08	MS21075L08N	24-50-02-03	-014	04
MS21073L3	52-60-00-01	-098	04	MS21075L08N	24-50-02-03	-016	02
MS21073L3	52-60-00-02	-039	04	MS21075L08N	24-50-02-03	-018	01
MS21073L3	53-21-00-01	-192	02	MS21075L08N	24-50-02-03	-024	03
MS21073L3	53-21-00-03	-018	08	MS21075L08N	24-50-02-04	-007	04
MS21073L3	53-21-00-05	-008	02	MS21075L08N	24-50-04-01	-007	02
MS21073L3	55-20-00-01	-158	04	MS21075L08N	24-50-04-01	-021	01
MS21073L4	52-10-00-02	-109	02	MS21075L08N	25-10-00-02	-020	02
MS21073L4	52-60-00-01	-099	01	MS21075L08N	25-10-00-02	-022	02
MS21073L4	52-60-00-02	-040	01	MS21075L08N	25-10-01-01	-017	01
MS21073L4	53-12-00-01	-030	01	MS21075L08N	25-70-00-02	-041	03
MS21074-3	25-30-00-03	-097	04	MS21075L08N	33-40-00-03	-011	28
MS21074L08	25-70-00-02	-038	04	MS21075L08N	34-12-00-01	-005	04
MS21074L08	57-30-01-01	-010	03	MS21075L08N	34-35-00-01	-004	08
MS21074L08	57-30-01-01	-013	03	MS21075L08N	34-52-00-01	-012	02
MS21074L3	25-26-00-01	-054	02	MS21075L08N	53-11-00-01	-020	04
MS21074L3	25-30-00-03	-022	02	MS21075L08N	53-11-00-01A	-033	02
MS21074L3	57-60-00-02	-171	02	MS21075L08N	53-11-00-01A	-169	04
MS21074L4	27-70-00-01	-175	02	MS21075L08N	53-20-01-01	-054	02
MS21075-08	24-50-03-01	-007	06	MS21075L08N	53-20-04-01	-029	02
MS21075-08	24-50-03-01	-011	06	MS21075L3	21-21-00-02	-078	04
MS21075-08	25-20-05-01	-459	01	MS21075L3	25-26-00-01	-090	03
MS21075-08	53-20-04-01	-031	04	MS21075L3E	53-20-07-01	-030	08
MS21075-08N	21-21-00-03	-049	01	MS21075L3E	53-21-00-04	-116	04
MS21075-08N	53-11-00-02	-025	01	MS21075L3N	21-20-01-01	-008	07
MS21075-08N	77-40-05-01	-012	08	MS21075L3N	21-20-01-01	-010	03
MS21075-08N	77-40-05-01	-014	08	MS21075L3N	21-20-01-02	-003	06
MS21075-3	25-20-05-01	-268	06	MS21075L3N	21-21-00-03	-014	14
MS21075-3N	23-10-01-01	-006	04	MS21075L3N	21-21-00-03	-025	04
MS21075-3N	25-20-00-01	-084	01	MS21075L3N	21-21-00-03	-026	12
MS21075-3N	55-30-00-01	-018	06	MS21075L3N	23-16-00-01	-007	02
MS21075L04N	23-10-02-01	-011	04	MS21075L3N	23-16-00-01	-009	04
MS21075L04N	23-30-00-01	-004	04	MS21075L3N	23-16-00-01	-013	02
MS21075L04N	23-30-01-01	-004	04	MS21075L3N	23-16-00-01	-037	08
MS21075L04N	23-70-00-01	-030	04	MS21075L3N	24-20-00-01	-009	04
MS21075L06	25-10-02-02	-105	01	MS21075L3N	24-20-00-02	-007	04
MS21075L06	33-30-00-01	-008	02	MS21075L3N	24-20-00-03	-010	02
MS21075L06	53-25-00-01	-003	04	MS21075L3N	24-30-00-01	-006	12
MS21075L06E	53-20-01-01	-097	04	MS21075L3N	24-30-01-01	-006	01
MS21075L06N	21-21-00-03	-052	01	MS21075L3N	24-30-01-01	-019	02
MS21075L06N	21-22-00-01	-004	02	MS21075L3N	24-30-02-01	-005	04
MS21075L06N	24-50-02-03	-013	04	MS21075L3N	24-40-00-01	-004	04
MS21075L06N	30-30-00-01	-015	02	MS21075L3N	24-50-02-01	-003	02
MS21075L06N	34-20-00-01	-008	02	MS21075L3N	24-50-02-01	-005	02
MS21075L08	55-31-00-01	-004	04	MS21075L3N	24-50-04-01	-015	04
MS21075L08	55-31-00-01	-012	03	MS21075L3N	25-11-00-01	-024	02
MS21075L08E	53-50-00-02	-011	24	MS21075L3N	25-20-02-02	-163	01
MS21075L08E	57-20-02-01	-007	12	MS21075L3N	25-22-00-01	-049	01
MS21075L08E	57-20-02-01	-018	23	MS21075L3N	25-22-00-01	-051	02

CESSNA®  
**MODEL 525 (SERIALS -0685 AND -0800 AND ON)**  
 ILLUSTRATED PARTS CATALOG

PART NUMBER	CH	SEC	SUBJ	FIG	ITEM	REQ	PART NUMBER	CH	SEC	SUBJ	FIG	ITEM	REQ
MS21075L3N	25	70	01	01	-002	08	MS21086-3	25	70	01	01	-009	01
MS21075L3N	25	70	01	01	-008	03	MS21086L3	28	20	00	02	-032	04
MS21075L3N	27	30	00	01	-030	03	MS21086L3	28	20	00	02	-037	02
MS21075L3N	29	10	00	01	-104	02	MS21086L3	56	10	00	01	-013	02
MS21075L3N	29	10	00	01	-129	01	MS21103D64	21	20	01	01	-014	01
MS21075L3N	29	10	00	01	-158	01	MS21209C0615	76	10	01	02	-027	06
MS21075L3N	30	40	00	01	-230	04	MS21209F1-10	52	10	01	02	-019	01
MS21075L3N	33	10	00	03	-005	02	MS21209F1-15	71	60	00	01	-080	03
MS21075L3N	34	30	00	01	-003	04	MS21209F1-20P	34	52	00	01	-006	03
MS21075L3N	34	35	00	01	-006	02	MS21209F4-15	27	20	01	01	-007	01
MS21075L3N	53	10	00	02	-007	14	MS21209F4-15	57	70	00	01	-003	05
MS21075L3N	53	20	00	01	-169	02	MS21240-06C16	32	20	00	01	-014	02
MS21075L3N	53	21	00	02	-030	30	MS21251-B2L	27	30	02	01	-076	01
MS21075L3N	53	21	00	02	-104	21	MS21251-B2S	27	30	02	01	-028	02
MS21075L3N	55	30	00	01	-025	14	MS21251-B2S	27	50	00	01	-022	01
MS21075L3N	55	30	00	01	-029	14	MS21251-B3L	32	30	00	03	-095	01
MS21075L3N	57	20	03	01	-154	02	MS21251-B3S	22	10	00	01	-009	03
MS21075L3N	57	30	01	01	-019	06	MS21251-B3S	32	30	00	04	-038	01
MS21075L4E	53	21	00	04	-048	02	MS21251-B5S	27	10	00	01	-002	04
MS21075L4N	24	20	00	03	-004	04	MS21251B2L	27	10	02	01	-025	02
MS21075L4N	27	30	00	01	-010	01	MS21251B2L	27	20	02	01	-089	02
MS21075L4N	27	70	00	01	-086	01	MS21251B2L	32	30	00	05	-003	02
MS21075L4N	53	21	00	01	-191	18	MS21251B5L	27	10	00	01	-007	01
MS21076-3N	28	20	00	01	-023	07	MS21251B5L	27	10	00	01	-098	04
MS21076-3N	28	20	00	01	-077	03	MS21251B5L	27	20	00	01	-003	03
MS21076-4N	28	20	00	01	-022	05	MS21251B5L	27	30	00	01	-037	02
MS21076L06N	23	10	02	02	-010	04	MS21251B5L	27	30	01	01	-004	01
MS21076L08	53	11	00	02A	-101	02	MS21251B5L	32	50	00	01	-009	02
MS21076L08N	53	11	00	01A	-028	02	MS21251B6S	27	50	00	02	-006	02
MS21076L08N	53	11	00	01A	-045	02	MS21252-5LS	32	50	00	01	-010	02
MS21076L08N	53	11	00	01A	-052	02	MS21252C3LS	32	30	00	04	-039	01
MS21076L08N	53	11	00	01A	-084	01	MS21253-4RS	27	20	00	01	-002	01
MS21076L08N	53	11	00	01A	-089	02	MS21254-3RL	22	10	00	01	-011	01
MS21076L08N	53	11	00	01A	-099	02	MS21254-3RS	22	10	00	01	-011A	01
MS21076L08N	53	11	00	02A	-100	04	MS21254-5LL	27	10	00	01	-008	01
MS21076L3	57	30	01	01	-038	22	MS21254-5LS	27	10	00	01	-006	01
MS21076L3N	25	60	00	01	-004	06	MS21254-5RS	27	10	00	01	-005	03
MS21076L3N	34	11	00	01	-042	01	MS21256-1	22	10	00	01	-010	06
MS21076L3N	34	11	00	02	-083	02	MS21256-1	27	10	00	01	-003	08
MS21076L3N	34	11	00	02	-113	01	MS21256-1	27	30	02	01	-029	04
MS21078-3	27	30	01	01	-168	07	MS21256-1	27	50	00	01	-023	02
MS21078-3	32	41	00	01	-081	01	MS21256-1	27	50	00	02	-007	04
MS21078-3	32	41	00	01	-103	01	MS21256-1	32	30	00	04	-040	02
MS21078-6	27	30	01	01	-169	01	MS21256-1	32	50	00	01	-011	04
MS21083N06	27	30	00	01	-094	02	MS21256-2	27	10	00	01	-004	02
MS21083N06	27	30	02	01	-038	02	MS21256-2	27	10	00	01	-099	08
MS21083N06	27	30	02	01	-092	02	MS21256-2	27	10	02	01	-026	04
MS21083N08	30	40	00	01	-159	01	MS21256-2	27	20	00	01	-004	06
MS21083N10	57	00	00	01	-004	02	MS21256-2	27	20	02	01	-090	04
MS21083N10	57	00	00	01	-099	02	MS21256-2	27	30	00	01	-038	04
MS21083N3	30	40	00	01	-155	02	MS21256-2	27	30	01	01	-005	02
MS21083N3	30	40	00	03	-007	01	MS21256-2	27	30	02	01	-077	02
MS21083N3	32	30	00	06	-035	01	MS21256-2	32	30	00	03	-096	02
MS21083N3	32	30	02	01	-033	02	MS21256-2	32	30	00	05	-004	04
MS21083N3	32	30	02	01	-056	01	MS21258C28	32	40	00	01	-003	01
MS21083N3	53	10	00	02	-167	02	MS21266-2N	21	21	01	01	-004	21
MS21083N3	53	21	00	01	-080	04	MS21266-3N	53	40	00	03	-035	02
MS21083N3	56	10	01	01	-008	31	MS21295-20	25	12	00	01	-020	06
MS21083N4	53	20	00	01	-160	04	MS21900W6	53	20	00	01	-162	01
MS21083N5	32	50	00	01	-174	01	MS21919DG50	32	41	00	03	-153	02
MS21083N8	71	00	00	01	-004	02	MS21919WCJ10	26	10	00	01	-005	04
MS21086-08	53	20	07	01	-031	01	MS21919WCJ10	29	10	00	01	-016	02



CESSNA®  
**MODEL 525 (SERIALS -0685 AND -0800 AND ON)**  
 ILLUSTRATED PARTS CATALOG

PART NUMBER	CH SEC SUBJ FIG	ITEM	REQ	PART NUMBER	CH SEC SUBJ FIG	ITEM	REQ
MS21919WCJ10	29-10-00-01	-022	01	MS21919WDG4	27-70-00-01	-039	01
MS21919WCJ10	73-10-00-01	-029	04	MS21919WDG4	27-70-00-01	-042	01
MS21919WCJ12	73-10-00-01	-014	01	MS21919WDG4	29-10-00-01	-257	01
MS21919WCJ16	26-10-00-01	-007	02	MS21919WDG4	30-40-00-02	-023	01
MS21919WCJ16	79-30-00-01	-006	04	MS21919WDG4	30-40-00-02	-026	01
MS21919WCJ6	73-10-00-01	-004	01	MS21919WDG4	32-30-00-02	-079	02
MS21919WCJ8	26-10-00-01	-008	06	MS21919WDG4	32-30-00-02	-176	08
MS21919WCJ8	29-10-00-01	-015	02	MS21919WDG4	32-30-00-06	-032	01
MS21919WCJ8	29-10-00-01	-021	01	MS21919WDG4	32-30-01-03	-030	02
MS21919WCJ8	73-10-00-01	-005	01	MS21919WDG4	32-30-01-03	-035	01
MS21919WDE4	24-30-01-01	-082	01	MS21919WDG4	32-30-01-03	-044	12
MS21919WDE4	32-41-00-05	-108	04	MS21919WDG4	32-30-01-04	-028	01
MS21919WDE6	32-41-00-05	-109	04	MS21919WDG4	32-30-01-04	-032	01
MS21919WDF12	28-10-00-01	-021	26	MS21919WDG4	32-30-01-04	-044	01
MS21919WDF13	35-00-00-01	-038	01	MS21919WDG4	32-30-02-01	-048	02
MS21919WDF16	35-00-00-01	-042	01	MS21919WDG4	32-30-02-01	-052	02
MS21919WDF6	28-20-00-01	-078	02	MS21919WDG4	32-41-00-01	-035	02
MS21919WDF8	28-20-00-01	-105	02	MS21919WDG4	32-41-00-01	-039	04
MS21919WDG10	29-10-00-01	-085	02	MS21919WDG4	32-41-00-01	-042	03
MS21919WDG10	29-10-00-01	-097	01	MS21919WDG4	32-41-00-01	-180	03
MS21919WDG10	29-10-00-01	-115	02	MS21919WDG4	32-41-00-02	-028	01
MS21919WDG10	29-10-00-01	-153	02	MS21919WDG4	32-41-00-04	-008	02
MS21919WDG10	29-10-00-01	-159	01	MS21919WDG4	32-41-00-04	-027	02
MS21919WDG10	29-10-00-01	-163	01	MS21919WDG4	32-41-00-05	-011	02
MS21919WDG10	29-10-00-01	-190	03	MS21919WDG4	32-41-00-05	-015	01
MS21919WDG10	34-11-00-02	-106	01	MS21919WDG4	32-41-00-05	-023	01
MS21919WDG10	34-11-00-02	-118	01	MS21919WDG4	32-41-00-05	-078	01
MS21919WDG12	21-50-00-01	-010	05	MS21919WDG4	32-41-00-05	-094	01
MS21919WDG12	28-20-00-02	-016	08	MS21919WDG4	34-11-00-01	-027	05
MS21919WDG12	29-10-00-01	-094	01	MS21919WDG4	34-11-00-01	-030	01
MS21919WDG12	29-10-00-01	-154	01	MS21919WDG4	34-11-00-02	-101	01
MS21919WDG12	29-10-00-01	-160	01	MS21919WDG4	34-11-00-02	-109	01
MS21919WDG12	29-10-00-01	-164	01	MS21919WDG4	36-10-00-02	-007	04
MS21919WDG2	32-41-00-01	-092	04	MS21919WDG4	36-10-00-03	-019	01
MS21919WDG2	32-41-00-01	-097	02	MS21919WDG4	36-10-00-03	-040	01
MS21919WDG2	32-41-00-01	-101	02	MS21919WDG5	35-00-00-01	-075	01
MS21919WDG2	32-41-00-03	-028	01	MS21919WDG5	35-00-00-01	-080	01
MS21919WDG2	32-41-00-03	-046	01	MS21919WDG5	35-00-00-01	-091	03
MS21919WDG2	32-41-00-03	-099	02	MS21919WDG5	35-10-00-01	-009	03
MS21919WDG2	32-41-00-03	-114	02	MS21919WDG6	27-50-01-01	-104	02
MS21919WDG2	35-00-00-01	-076	01	MS21919WDG6	27-50-01-01	-111	02
MS21919WDG3	27-60-00-02	-097A	04	MS21919WDG6	27-70-00-01	-005	01
MS21919WDG3	30-40-00-01	-007	01	MS21919WDG6	27-70-00-01	-013	01
MS21919WDG3	30-40-00-01	-012	02	MS21919WDG6	27-70-00-01	-016	01
MS21919WDG3	30-40-00-01	-015	02	MS21919WDG6	28-20-00-02	-015	11
MS21919WDG3	30-40-00-01	-019	01	MS21919WDG6	28-20-00-02	-039	02
MS21919WDG3	30-40-00-01	-038	06	MS21919WDG6	29-10-00-01	-114	02
MS21919WDG3	30-40-00-01	-043	01	MS21919WDG6	29-10-00-01	-126	04
MS21919WDG3	30-40-00-01	-150	04	MS21919WDG6	32-30-00-02	-040	02
MS21919WDG3	30-40-00-01	-156	02	MS21919WDG6	32-30-00-02	-094	02
MS21919WDG3	32-30-00-04	-011	01	MS21919WDG6	32-30-00-02	-154	02
MS21919WDG3	32-30-00-06	-013	01	MS21919WDG6	32-30-00-02	-163	04
MS21919WDG3	32-30-00-06	-018	01	MS21919WDG6	32-30-01-03	-036	01
MS21919WDG3	32-30-00-06	-027	01	MS21919WDG6	32-30-01-03	-045	04
MS21919WDG4	27-50-01-01	-031	01	MS21919WDG6	32-41-00-01	-008	02
MS21919WDG4	27-50-01-01	-036	01	MS21919WDG6	32-41-00-01	-052	01
MS21919WDG4	27-50-01-01	-041	01	MS21919WDG6	32-41-00-01	-076	02
MS21919WDG4	27-50-01-01	-079	04	MS21919WDG6	32-41-00-01	-079	04
MS21919WDG4	27-50-01-01	-091	02	MS21919WDG6	32-41-00-02	-003	04
MS21919WDG4	27-50-01-01	-095	03	MS21919WDG6	32-41-00-02	-011	10
MS21919WDG4	27-60-00-02	-085	02	MS21919WDG6	32-41-00-02	-027	01
MS21919WDG4	27-60-00-02	-098	04	MS21919WDG6	32-41-00-03	-027	01

CESSNA®  
**MODEL 525 (SERIALS -0685 AND -0800 AND ON)**  
 ILLUSTRATED PARTS CATALOG

PART NUMBER	CH	SEC	SUBJ	FIG	ITEM	REQ	PART NUMBER	CH	SEC	SUBJ	FIG	ITEM	REQ
MS21919WDG6	32	41	00	03	-033	02	MS24665-132	27	10	00	04	-032	04
MS21919WDG6	32	41	00	03	-047	01	MS24665-132	27	10	02	01	-054	01
MS21919WDG6	32	41	00	04	-007	02	MS24665-132	27	20	00	01	-011	01
MS21919WDG6	32	41	00	04	-026	02	MS24665-132	27	20	01	01	-032	02
MS21919WDG6	32	41	00	05	-108A	04	MS24665-132	27	20	02	01	-121	01
MS21919WDG6	32	41	01	01	-014	01	MS24665-132	27	30	00	01	-035	01
MS21919WDG6	33	40	00	03	-015	02	MS24665-132	27	30	02	01	-169	02
MS21919WDG6	34	11	00	02	-021	06	MS24665-132	27	30	02	02	-008	01
MS21919WDG6	34	11	00	02	-080	06	MS24665-132	27	30	02	02	-025	01
MS21919WDG6	34	11	00	02	-102	01	MS24665-132	27	50	00	01	-006	01
MS21919WDG6	36	10	00	03	-039	04	MS24665-132	27	50	00	01	-028	01
MS21919WDG6	53	20	00	01	-024	01	MS24665-132	27	50	00	01	-036	01
MS21919WDG7	32	41	00	04	-038	02	MS24665-132	27	50	00	01	-039	01
MS21919WDG8	21	50	00	01	-009	05	MS24665-132	27	50	00	02	-110	02
MS21919WDG8	24	30	01	01	-079	01	MS24665-132	27	60	00	01	-007	01
MS21919WDG8	30	10	00	01	-103	02	MS24665-132	27	70	00	01	-023	01
MS21919WDG8	32	41	00	05	-109A	04	MS24665-132	27	70	00	01	-038	01
MS21919WDG8	34	11	00	01	-008	01	MS24665-132	27	70	00	01	-046	01
MS21919WDG8	34	11	00	02	-117	01	MS24665-132	27	70	00	01	-094	02
MS21919WDG9	32	41	00	04	-039	02	MS24665-132	27	70	00	01	-101	01
MS21919WH10	71	50	00	01	-082	02	MS24665-132	27	70	00	01	-160	04
MS21919WH16	30	40	00	02	-022	01	MS24665-132	32	30	00	01	-009	01
MS21919WH16	30	40	00	03	-005	01	MS24665-132	32	30	00	03	-015	01
MS21919WH24	30	40	00	03	-075	02	MS24665-132	32	30	00	03	-032	02
MS21919WH3	71	50	00	01	-008	01	MS24665-132	32	30	00	03	-160	01
MS21919WH3	71	50	00	01	-083	01	MS24665-132	32	30	00	04	-007	01
MS21919WH4	71	50	00	01	-009	02	MS24665-132	32	30	00	04	-019	01
MS21919WH5	71	50	00	01	-010	05	MS24665-132	32	30	00	04	-045	02
MS21919WH5	71	50	00	01	-084	03	MS24665-132	32	30	00	05	-026	02
MS21919WH6	71	50	00	01	-011	02	MS24665-132	32	30	00	05	-030	01
MS21919WH7	71	50	00	01	-012	01	MS24665-132	32	30	01	04	-015	01
MS21919WH7	71	50	00	01	-085	01	MS24665-132	32	41	00	01	-024	08
MS21919WH9	71	50	00	01	-013	02	MS24665-132	32	41	00	01	-171	01
MS21919WH9	71	50	00	01	-086	05	MS24665-132	32	50	00	01	-005	02
MS21920-24	32	41	00	05	-115A	01	MS24665-132	32	50	00	01	-015	02
MS21920-33	32	41	00	05	-118	02	MS24665-132	32	50	00	01	-165	02
MS21920-55R	35	00	00	01	-012	01	MS24665-132	52	10	01	01	-006	02
MS22025-1	38	30	00	01	-013	01	MS24665-132	52	10	01	01	-011	01
MS24388D6	32	41	00	03	-037	01	MS24665-132	52	10	01	01	-016	01
MS24389D6	32	41	01	01	-007	01	MS24665-132	52	10	01	01	-021	02
MS24393D4	21	10	00	01	-013	01	MS24665-132	52	10	01	01	-035	02
MS24393D4	27	50	01	01	-101	06	MS24665-132	52	10	01	01	-046	02
MS24393D4	30	40	00	02	-009A	01	MS24665-132	52	10	01	01	-085	02
MS24393D4	32	41	00	05	-082	04	MS24665-132	52	10	01	01	-101	02
MS24393D4	32	41	01	01	-027	01	MS24665-132	52	10	01	01	-154	02
MS24393D4	36	10	00	01	-198A	01	MS24665-132	52	10	01	01	-168	01
MS24398D6-4	32	41	00	03	-173	01	MS24665-132	52	10	01	01	-175	02
MS24402-2	21	20	01	02	-017	01	MS24665-132	52	10	01	01	-182	02
MS24402D4	21	10	00	01	-009	01	MS24665-132	52	10	01	01	-206	02
MS24402D4	36	10	00	01	-172	02	MS24665-132	55	20	00	01	-155	02
MS24402D6	32	30	00	02	-084	02	MS24665-132	57	60	00	02	-152	02
MS24461-4	53	10	00	01	-176	01	MS24665-134	22	10	00	01	-035	01
MS24586-596	30	40	00	01	-093	01	MS24665-134	22	10	00	01	-094	01
MS24586C106	25	20	01	01	-028	01	MS24665-134	27	10	00	01	-013	02
MS24586C106	32	30	00	05	-031	02	MS24665-134	27	10	00	01	-021	02
MS24622-8	34	20	00	01	-013	02	MS24665-134	27	10	00	01	-051	01
MS24665-1	30	40	00	01	-176	02	MS24665-134	27	10	00	01	-083	01
MS24665-1	30	40	00	01	-185	01	MS24665-134	27	10	00	01	-105	01
MS24665-132	21	20	01	02	-014	03	MS24665-134	27	10	00	01	-114	02
MS24665-132	21	50	01	01	-023	01	MS24665-134	27	10	00	03	-010	02
MS24665-132	21	50	02	01	-093	01	MS24665-134	27	10	00	03	-035	01
MS24665-132	27	10	00	04	-018	02	MS24665-134	27	10	00	03	-049	01

CESSNA®  
**MODEL 525 (SERIALS -0685 AND -0800 AND ON)**  
 ILLUSTRATED PARTS CATALOG

PART NUMBER	CH SEC SUBJ FIG	ITEM	REQ	PART NUMBER	CH SEC SUBJ FIG	ITEM	REQ
MS24665-134	27-10-00-04	-010	01	MS24665-285	32-20-00-01	-007	02
MS24665-134	27-10-00-04	-022	01	MS24665-287	52-10-01-02	-018	01
MS24665-134	27-10-02-01	-047	04	MS24665-287	55-10-00-01	-006	04
MS24665-134	27-20-00-02	-025	03	MS24665-287	71-00-00-01	-008	01
MS24665-134	27-20-00-02	-052	01	MS24665-289	53-40-00-03	-156	04
MS24665-134	27-20-00-02	-082	01	MS24665-289	53-40-00-03	-231	04
MS24665-134	27-20-00-02	-090	01	MS24665-289	57-00-00-01	-011	01
MS24665-134	27-20-00-02	-103	01	MS24665-355	32-30-01-04	-088	01
MS24665-134	27-20-00-02	-163	01	MS24665-355	32-50-00-01	-100	01
MS24665-134	27-20-00-02	-176	01	MS24665-357	32-30-01-04	-092	01
MS24665-134	27-20-02-01	-112	02	MS24665-359	32-30-00-02	-106	02
MS24665-134	27-30-00-01	-026	01	MS24665-428	32-40-00-01	-004	01
MS24665-134	27-30-00-01	-090	01	MS24665-5	55-40-00-01	-045	03
MS24665-134	27-30-00-01	-105	01	MS24665-5	57-70-00-01	-012	05
MS24665-134	27-30-00-02	-039	02	MS24665-5	57-70-00-01	-026	05
MS24665-134	27-30-00-02	-049	01	MS24665-69	27-30-01-01	-034	02
MS24665-134	27-30-01-01	-155	02	MS24665-71	52-30-00-02	-006	02
MS24665-134	27-30-02-01	-162	02	MS24665-71	76-10-01-02	-101	01
MS24665-134	27-50-01-01	-121	02	MS24667-13	22-10-00-01	-031A	03
MS24665-134	27-60-00-02	-116A	01	MS24667-13	22-10-00-01	-090A	03
MS24665-134	32-20-00-01	-013	01	MS24667-20	22-10-00-01	-031B	03
MS24665-134	32-30-00-01	-018	01	MS24667-20	22-10-00-01	-090B	03
MS24665-134	32-30-00-03	-021	01	MS2469-S49	38-30-00-01	-189A	04
MS24665-134	32-30-00-03	-045	02	MS24693-274	25-20-05-01	-019	04
MS24665-134	32-30-00-03	-054	01	MS24693-274B	76-10-01-03	-004	01
MS24665-134	32-30-00-03	-093	01	MS24693-28B	25-10-02-02	-171	02
MS24665-134	32-30-01-02	-007	03	MS24693-B27	34-28-00-01	-078	03
MS24665-134	32-30-01-02	-017	02	MS24693-BB24	76-10-01-03	-021	02
MS24665-134	32-30-01-02	-028	02	MS24693-C2	57-40-00-01	-080	08
MS24665-134	32-30-01-02	-034	02	MS24693-C25	30-40-00-01	-173	04
MS24665-134	52-30-00-01	-094	02	MS24693-C25	30-40-00-01	-192	05
MS24665-134	52-30-00-02	-087	02	MS24693-C26	30-40-00-01	-193	04
MS24665-134	52-30-00-02	-103	01	MS24693-C3	33-30-00-01	-002	04
MS24665-134	55-20-00-01	-010	05	MS24693-C3	33-30-00-02	-002	04
MS24665-134	55-40-00-01	-005	01	MS24693-C4	52-80-00-01	-127	10
MS24665-134	55-40-00-01	-014	06	MS24693-C51	33-40-00-01	-003	12
MS24665-134	57-50-01-02	-013	03	MS24693-C52	33-40-00-04	-002	02
MS24665-134	57-60-00-02	-006	03	MS24693-S1	27-30-01-01	-022	03
MS24665-134	57-60-00-02	-096	03	MS24693-S203	25-20-05-01	-318	01
MS24665-134	76-10-01-02	-040	01	MS24693-S227	76-10-01-02	-012	02
MS24665-134	76-10-01-02	-046	01	MS24693-S23	76-10-01-01	-007	01
MS24665-136	27-50-00-01	-009	02	MS24693-S24	23-70-00-01	-005	02
MS24665-136	32-30-00-02	-007	01	MS24693-S25	25-10-01-01	-010	04
MS24665-136	32-30-00-02	-018	01	MS24693-S26	24-50-01-01	-094	02
MS24665-136	32-30-01-01	-004	02	MS24693-S26	24-50-01-02	-097	06
MS24665-136	55-30-00-01	-013	04	MS24693-S26	25-20-01-01	-025	02
MS24665-138	27-50-01-01	-120	02	MS24693-S26	32-30-00-04	-048	01
MS24665-138	27-60-00-02	-116	01	MS24693-S268	71-60-00-01	-079	03
MS24665-151	24-40-00-01	-018	01	MS24693-S27	25-10-02-02	-098	01
MS24665-151	52-10-00-01	-090	02	MS24693-S27	33-10-01-01	-004A	03
MS24665-170	52-20-00-01	-038	01	MS24693-S27	53-20-04-01	-106	03
MS24665-172	52-10-01-01	-201	01	MS24693-S273	25-26-00-01	-080	02
MS24665-208	32-30-01-04	-018	01	MS24693-S273	38-30-00-01	-109	03
MS24665-208	52-60-00-02	-004	02	MS24693-S273	38-30-00-01	-113	02
MS24665-210	32-50-00-01	-158	01	MS24693-S273	38-30-00-01	-189	NP
MS24665-231	32-40-00-02	-008	01	MS24693-S274	38-30-00-01	-108	01
MS24665-283	27-30-00-02	-005	01	MS24693-S28	25-20-00-03	-008	02
MS24665-283	27-50-00-01	-020	01	MS24693-S28	25-20-05-01	-259	12
MS24665-283	27-50-00-02	-005	01	MS24693-S28	25-20-05-01	-388	01
MS24665-283	27-50-00-02	-011	01	MS24693-S28	27-10-01-01	-031	04
MS24665-283	27-50-00-02	-015	01	MS24693-S28	28-40-00-01	-004	02
MS24665-283	52-80-00-01	-078	02	MS24693-S29	23-10-02-02	-008A	02

CESSNA®  
**MODEL 525 (SERIALS -0685 AND -0800 AND ON)**  
 ILLUSTRATED PARTS CATALOG

PART NUMBER	CH	SEC	SUBJ	FIG	ITEM	REQ	PART NUMBER	CH	SEC	SUBJ	FIG	ITEM	REQ
MS24693-S29	27	30	00	01	-093	02	MS24694-S100	52	10	00	02	-087	12
MS24693-S29	27	30	02	01	-037	02	MS24694-S100	52	60	00	01	-014	01
MS24693-S29	27	30	02	01	-091	02	MS24694-S101	52	10	00	02	-088	04
MS24693-S29	27	30	02	02	-048	04	MS24694-S102	52	60	00	01	-097	01
MS24693-S29	52	10	00	01	-027	02	MS24694-S102	52	60	00	02	-038	01
MS24693-S295	38	30	00	01	-095	04	MS24694-S103	52	10	00	02	-077	02
MS24693-S295	38	30	00	01	-100	02	MS24694-S106	52	10	00	01	-006	01
MS24693-S3	25	20	05	01	-406	01	MS24694-S11	27	10	02	02	-035	03
MS24693-S30	25	21	01	02	-083	01	MS24694-S11	52	10	01	01	-193	02
MS24693-S30	27	30	02	02	-050	04	MS24694-S13	52	10	00	01	-101	01
MS24693-S4	25	20	01	01	-018	09	MS24694-S15	52	10	00	01	-100	01
MS24693-S49	24	50	02	02	-006	14	MS24694-S26	27	70	00	01	-027	04
MS24693-S50	23	10	02	01	-004	04	MS24694-S3	52	30	00	02	-112	01
MS24693-S51	21	20	01	02	-082	04	MS24694-S3	53	20	04	01	-117	01
MS24693-S51	23	30	01	01	-006	04	MS24694-S3	76	10	01	03	-014	01
MS24693-S51	24	50	02	02	-115	02	MS24694-S4	25	20	05	01	-088	01
MS24693-S52	21	21	00	03	-044	04	MS24694-S4	52	80	00	01	-013	03
MS24693-S52	21	21	00	03	-045	06	MS24694-S48	27	30	01	01	-014	08
MS24693-S52	77	40	05	01	-005	04	MS24694-S48	35	10	02	02	-003	04
MS24693-S54	25	21	00	02	-077	02	MS24694-S48	53	20	04	01	-013	01
MS24693C28	33	50	00	02	-002	04	MS24694-S48	53	21	00	01	-078	04
MS24693NB27	34	20	00	01	-003	04	MS24694-S49	52	10	00	02	-050	07
MS24693NB5	34	20	00	01	-005	01	MS24694-S49	52	10	00	03	-104	04
MS24693NB6	34	20	00	01	-006	02	MS24694-S49	52	60	00	02	-037	04
MS24693S28	25	10	02	03	-084	02	MS24694-S49	57	20	01	01	-017	10
MS24693S50	53	11	00	03	-007	02	MS24694-S5	24	30	02	01	-003	04
MS24694-C10	33	40	01	01	-003	03	MS24694-S5	25	70	00	02	-017	02
MS24694-C12	52	80	00	01	-122	06	MS24694-S5	25	70	00	02	-034	04
MS24694-C14	34	61	05	01	-020	04	MS24694-S5	25	70	00	02	-044	02
MS24694-C3	33	40	00	04	-005	05	MS24694-S5	33	10	01	01	-004	03
MS24694-C3	52	30	00	01	-078	02	MS24694-S5	38	30	00	01	-020	04
MS24694-C4	57	20	02	01	-005	10	MS24694-S5	52	10	01	02	-005	02
MS24694-C4	57	20	02	01	-016	19	MS24694-S5	52	40	00	01	-040	03
MS24694-C47	25	11	00	01	-016	02	MS24694-S5	53	30	00	02	-002	21
MS24694-C49	34	51	00	02	-002	04	MS24694-S5	53	30	00	02	-006	23
MS24694-C49	56	10	00	01	-008	02	MS24694-S5	53	30	00	02	-010	20
MS24694-C49	56	10	00	01	-090	02	MS24694-S5	57	20	01	01	-021	30
MS24694-C50	34	50	00	01	-003	04	MS24694-S5	57	20	01	01	-024	18
MS24694-C50	56	10	00	01	-006	06	MS24694-S50	23	70	00	01	-008	04
MS24694-C50	56	10	00	01	-022	19	MS24694-S50	30	40	00	01	-166	07
MS24694-C50	56	10	00	01	-078	18	MS24694-S50	38	30	00	01	-153	03
MS24694-C50	56	10	00	01	-092	04	MS24694-S50	76	10	01	03	-026	04
MS24694-C51	34	25	00	01	-010	08	MS24694-S51	52	10	00	02	-153	02
MS24694-C51	34	50	00	01	-008	04	MS24694-S52	24	30	01	01	-091	01
MS24694-C51	56	10	00	01	-024	04	MS24694-S52	24	50	04	01	-014	02
MS24694-C51	56	10	00	01	-094	08	MS24694-S52	25	21	00	04	-003	02
MS24694-C52	34	51	00	01	-002	04	MS24694-S52	27	30	01	01	-090	04
MS24694-C52	56	10	00	01	-007	02	MS24694-S52	32	50	00	01	-107	02
MS24694-C52	56	10	00	01	-023	02	MS24694-S52	52	10	00	02	-167	02
MS24694-C52	56	10	00	01	-096	03	MS24694-S52	52	20	00	01	-043	02
MS24694-C53	57	30	01	01	-003	22	MS24694-S53	25	10	00	03	-003	04
MS24694-C54	52	10	00	03	-007	02	MS24694-S53	27	31	00	01	-002	01
MS24694-C54	52	10	00	03	-019	32	MS24694-S53	52	10	00	01	-017	04
MS24694-C55	34	40	00	01	-006	04	MS24694-S53	52	10	01	02	-010	04
MS24694-C6	57	20	02	01	-006	02	MS24694-S53	52	60	00	01	-095	04
MS24694-C6	57	20	02	01	-017	03	MS24694-S53	53	30	00	02	-014	02
MS24694-C7	22	10	00	01	-031	03	MS24694-S53	53	30	00	02	-017	02
MS24694-C7	27	30	02	01	-081	03	MS24694-S54	21	20	01	02	-031	14
MS24694-C8	25	11	00	01	-004	02	MS24694-S54	25	20	02	02	-152	02
MS24694-C99	25	30	00	03	-101	02	MS24694-S54	25	29	00	01	-009	12
MS24694-S10	52	10	00	01	-104	04	MS24694-S54	27	31	00	01	-003	01
MS24694-S10	53	20	04	01	-026	01	MS24694-S54	52	60	00	01	-096	04

CESSNA®  
**MODEL 525 (SERIALS -0685 AND -0800 AND ON)**  
 ILLUSTRATED PARTS CATALOG

PART NUMBER	CH SEC SUBJ FIG	ITEM	REQ	PART NUMBER	CH SEC SUBJ FIG	ITEM	REQ
MS24694-S56	38-30-00-01	-002	04	MS25083-2BC6	29-10-00-02	-004	01
MS24694-S56	52-30-00-01	-089	02	MS25083-2CB8	32-20-00-01	-021	01
MS24694-S56	52-30-00-02	-082	02	MS25083-2CC8	27-50-00-02	-118	02
MS24694-S56	76-10-01-03	-026A	01	MS25253-1	32-30-00-01	-024	06
MS24694-S57	25-21-00-04	-004	02	MS27039-0804	44-20-00-01	-002	04
MS24694-S57	34-52-00-01	-004	04	MS27039-0804	53-22-00-01	-003	03
MS24694-S58	52-30-00-01	-102	02	MS27039-0804	53-22-00-01	-007	08
MS24694-S59	52-10-00-01	-108	02	MS27039-0804	76-10-01-01	-088	02
MS24694-S59	55-20-00-01	-029	01	MS27039-0806	24-50-01-03	-003	04
MS24694-S59	76-10-01-01	-015	02	MS27039-0806	25-10-00-02	-009	02
MS24694-S6	22-10-00-01	-090	03	MS27039-0806	25-10-00-02	-025	02
MS24694-S6	52-20-00-01	-040	04	MS27039-0806	25-10-00-02	-035	02
MS24694-S6	52-40-00-01	-010	04	MS27039-0806	27-20-02-02	-002	04
MS24694-S60	25-20-05-01	-153	02	MS27039-0806	27-60-00-02	-098A	01
MS24694-S60	52-80-00-01	-087	04	MS27039-0806	30-10-00-01	-016	01
MS24694-S60	55-40-00-01	-106	02	MS27039-0806	30-40-00-01	-162	02
MS24694-S61	55-20-00-01	-030	01	MS27039-0806	53-21-00-04	-017	06
MS24694-S61	55-40-00-01	-105	04	MS27039-0806	57-70-00-01	-016	02
MS24694-S63	55-20-00-01	-031	01	MS27039-0806	57-70-00-01	-030	02
MS24694-S64	52-10-00-01	-018	04	MS27039-0806	71-50-00-01	-014	05
MS24694-S65	55-20-00-01	-032	01	MS27039-0806	71-50-00-01	-087	06
MS24694-S66	25-21-00-02	-041	AR	MS27039-0806	76-10-01-02	-085	02
MS24694-S7	25-50-01-01	-015	06	MS27039-0807	21-21-00-03	-009	01
MS24694-S79	25-20-05-01	-032	02	MS27039-0807	21-50-01-02	-012	12
MS24694-S9	25-20-00-01	-022	04	MS27039-0807	23-16-00-01	-027	04
MS24694-S9	25-20-02-02	-005	04	MS27039-0807	23-50-00-02	-002	04
MS24694-S9	25-20-02-02	-006	06	MS27039-0807	24-20-00-03	-013	04
MS24694-S95	25-30-00-03	-106	04	MS27039-0807	25-20-05-01	-025	02
MS24694-S97	52-10-00-02	-105	02	MS27039-0807	25-20-05-01	-315	01
MS24694-S99	52-60-00-01	-010	01	MS27039-0807	25-70-00-02	-018	02
MS24694C4	55-20-00-01	-036	08	MS27039-0807	25-70-00-02	-035	02
MS24694C6	57-60-00-02	-099	10	MS27039-0807	30-10-00-01	-015	03
MS24694S1	52-10-00-03	-124	02	MS27039-0807	35-20-00-01	-011	04
MS24694S10	52-20-00-01	-084	02	MS27039-0807	53-11-00-02	-076	02
MS24694S100	52-10-00-02	-104	02	MS27039-0807	53-11-00-02A	-076	02
MS24694S2	52-10-00-03	-120	02	MS27039-0807	53-11-00-03	-022	01
MS24694S3	71-10-00-01	-152	12	MS27039-0807	53-21-00-04	-008	02
MS24694S54	52-80-00-01	-098	01	MS27039-0807	54-50-01-01	-028	01
MS25036-115	23-10-00-01	-013A	01	MS27039-0807	71-50-00-01	-015	05
MS25036-116	23-10-00-01	-009A	01	MS27039-0807	71-50-00-01	-088	04
MS25082-12	52-10-00-01	-084	01	MS27039-0808	21-20-00-01	-004	04
MS25082-22	32-30-00-01	-029	01	MS27039-0808	21-50-01-01	-036	02
MS25082-3	23-10-00-01	-014	01	MS27039-0808	21-50-01-02	-011	07
MS25083-2AB3	57-60-00-02	-172	01	MS27039-0808	21-60-00-01	-007	02
MS25083-2AB5	57-60-00-01	-034	04	MS27039-0808	21-60-00-01	-014	02
MS25083-2AB6	55-20-00-01	-185	02	MS27039-0808	24-50-03-01	-009	04
MS25083-2AB7	52-80-00-01	-029	01	MS27039-0808	25-20-01-01	-004	04
MS25083-2AB8	52-30-00-01	-022	02	MS27039-0808	25-20-05-01	-324	06
MS25083-2BB10	32-30-01-04	-095	01	MS27039-0808	25-20-05-01	-328	02
MS25083-2BB12	33-40-00-01	-004	02	MS27039-0808	25-20-05-01	-343	06
MS25083-2BB14	52-30-00-02	-111	01	MS27039-0808	27-10-02-01	-005	01
MS25083-2BB14	52-80-00-01	-097	02	MS27039-0808	27-10-02-02	-025	04
MS25083-2BB3	55-20-00-01	-182	01	MS27039-0808	30-40-00-01	-013	01
MS25083-2BB4	27-60-00-01	-016	02	MS27039-0808	30-40-00-01	-108	02
MS25083-2BB4	55-40-00-01	-097	01	MS27039-0808	32-30-00-03	-080	03
MS25083-2BB4	57-70-00-01	-015	01	MS27039-0808	34-28-00-01	-004	05
MS25083-2BB5	57-70-00-01	-029	01	MS27039-0808	52-30-00-02	-095	02
MS25083-2BB6	27-60-00-01	-017	02	MS27039-0808	53-20-04-01	-003	05
MS25083-2BB6	55-20-00-01	-001	02	MS27039-0808	53-20-04-01	-076	13
MS25083-2BB6	55-40-00-01	-032	01	MS27039-0808	53-20-04-01	-085	06
MS25083-2BB8	32-10-00-01	-013	02	MS27039-0808	53-20-04-01	-109	05
MS25083-2BB8	52-80-00-01	-022	02	MS27039-0808	53-20-04-01	-112	03

CESSNA®  
**MODEL 525 (SERIALS -0685 AND -0800 AND ON)**  
 ILLUSTRATED PARTS CATALOG

PART NUMBER	CH SEC SUBJ FIG	ITEM	REQ	PART NUMBER	CH SEC SUBJ FIG	ITEM	REQ
MS27039-0808	53-20-04-01	-116	01	MS27039-1-07	24-20-00-03	-007	02
MS27039-0808	53-21-00-04	-007	02	MS27039-1-07	25-30-00-02	-003	02
MS27039-0808	53-21-00-04	-015	02	MS27039-1-07	25-30-00-03	-015	01
MS27039-0809	21-50-01-02	-013	02	MS27039-1-07	27-10-02-02	-021	04
MS27039-0809	27-10-02-03	-002	02	MS27039-1-07	27-30-01-01	-102	10
MS27039-0809	27-30-01-01	-037	04	MS27039-1-07	27-70-00-01	-002	02
MS27039-0809	52-20-00-01	-046	02	MS27039-1-07	29-10-00-01	-155	01
MS27039-0809	53-22-00-01	-006	03	MS27039-1-07	29-10-00-01	-191	01
MS27039-0810	25-20-05-01	-382	01	MS27039-1-07	30-40-00-01	-016	01
MS27039-0810	27-10-02-02	-002	04	MS27039-1-07	30-40-00-01	-044	01
MS27039-0811	25-20-05-01	-040	01	MS27039-1-07	30-40-00-01	-077	02
MS27039-0812	25-10-01-01	-003	02	MS27039-1-07	30-40-00-01	-233	04
MS27039-0812	25-20-02-02	-173	02	MS27039-1-07	32-10-00-01	-015	01
MS27039-0812	27-10-00-01	-039	02	MS27039-1-07	32-30-01-04	-025	02
MS27039-0812	27-10-00-01	-095	02	MS27039-1-07	32-30-01-04	-081	02
MS27039-0812	27-10-02-01	-014	02	MS27039-1-07	32-30-02-01	-049	01
MS27039-0812	27-20-02-01	-021	02	MS27039-1-07	32-41-00-01	-077	01
MS27039-0812	27-30-00-01	-077	01	MS27039-1-07	32-41-00-01	-080	01
MS27039-0812	30-40-00-01	-004	02	MS27039-1-07	32-41-00-01	-093	01
MS27039-0812	30-40-00-01	-157	01	MS27039-1-07	32-41-00-03	-029	01
MS27039-0813	27-30-00-01	-004	01	MS27039-1-07	32-41-00-03	-098	01
MS27039-0813	27-30-02-02	-027	02	MS27039-1-07	32-41-00-03	-115	01
MS27039-0813	35-30-00-02	-010A	05	MS27039-1-07	32-41-00-05	-110A	02
MS27039-0814	27-10-00-01	-092	02	MS27039-1-07	32-50-00-01	-020	03
MS27039-0814	27-20-00-01	-017	01	MS27039-1-07	34-30-00-01	-002	04
MS27039-0815	25-10-01-01	-002	02	MS27039-1-07	34-35-00-01	-005	02
MS27039-0815	34-44-01-01	-007	04	MS27039-1-07	36-10-00-02	-008	01
MS27039-0816	27-30-00-02	-010	02	MS27039-1-07	36-10-00-03	-006	03
MS27039-0817	27-10-02-02	-052	01	MS27039-1-07	36-10-00-03	-041	01
MS27039-0818	27-70-00-01	-030	01	MS27039-1-07	38-30-00-01	-169	04
MS27039-0818	34-61-05-01	-019	04	MS27039-1-07	38-30-00-01	-169A	02
MS27039-0818	35-30-00-02	-010	05	MS27039-1-07	53-10-00-01	-171	02
MS27039-0819	36-10-00-01	-165	04	MS27039-1-07	53-10-00-02	-006	14
MS27039-0822	25-20-05-01	-337	06	MS27039-1-07	53-20-04-01	-119	03
MS27039-0824	32-30-00-06	-019	01	MS27039-1-07	53-20-04-01	-128	02
MS27039-0834	25-20-05-01	-390	06	MS27039-1-07	53-21-00-01	-003	11
MS27039-1-04	25-22-00-01	-005	06	MS27039-1-07	53-21-00-01	-007	05
MS27039-1-04	27-50-01-01	-105	01	MS27039-1-07	53-21-00-01	-011	10
MS27039-1-05	29-10-00-01	-233	01	MS27039-1-07	53-21-00-01	-015	10
MS27039-1-06	24-30-01-01	-084	01	MS27039-1-07	53-21-00-01	-021	18
MS27039-1-06	25-26-00-01	-032A	01	MS27039-1-07	53-21-00-01	-025	20
MS27039-1-06	25-26-00-01	-036	01	MS27039-1-07	53-21-00-01	-029	04
MS27039-1-06	25-26-00-01	-051	01	MS27039-1-07	53-21-00-01	-035	04
MS27039-1-06	27-10-00-03	-012	04	MS27039-1-07	53-21-00-01	-039	06
MS27039-1-06	27-10-00-03	-020	02	MS27039-1-07	53-21-00-01	-042	10
MS27039-1-06	27-30-01-01	-082	02	MS27039-1-07	53-21-00-01	-046	15
MS27039-1-06	27-30-01-01	-086	04	MS27039-1-07	53-21-00-01	-087	06
MS27039-1-06	29-10-00-01	-127	01	MS27039-1-07	53-21-00-01	-156	05
MS27039-1-06	30-10-00-01	-104	02	MS27039-1-07	53-21-00-01	-160	05
MS27039-1-06	30-40-00-02	-020	04	MS27039-1-07	53-21-00-01	-164	24
MS27039-1-06	32-30-01-04	-003	01	MS27039-1-07	53-21-00-01	-167	39
MS27039-1-06	32-41-02-01	-002	02	MS27039-1-07	53-21-00-01	-170	24
MS27039-1-06	34-11-00-02	-025	01	MS27039-1-07	53-21-00-01	-173	15
MS27039-1-06	35-00-00-01	-023	04	MS27039-1-07	53-21-00-01	-182	03
MS27039-1-06	36-10-00-03	-033	01	MS27039-1-07	53-21-00-02	-004	02
MS27039-1-06	52-60-00-02	-047	01	MS27039-1-07	53-21-00-02	-007	03
MS27039-1-06	53-10-00-01	-082	11	MS27039-1-07	53-21-00-02	-027	01
MS27039-1-06	53-20-04-01	-017	03	MS27039-1-07	53-21-00-05	-025	40
MS27039-1-06	53-20-04-01	-022	12	MS27039-1-07	57-10-01-02	-012	07
MS27039-1-06	53-20-04-01	-033	02	MS27039-1-08	21-10-00-01	-020	01
MS27039-1-07	21-21-00-02	-077	04	MS27039-1-08	21-10-00-01	-025	02
MS27039-1-07	21-30-00-01	-002	04	MS27039-1-08	21-10-00-01	-029	02

CESSNA®  
**MODEL 525 (SERIALS -0685 AND -0800 AND ON)**  
 ILLUSTRATED PARTS CATALOG

PART NUMBER	CH SEC SUBJ FIG	ITEM	REQ	PART NUMBER	CH SEC SUBJ FIG	ITEM	REQ
MS27039-1-08	21-20-01-01	-016	01	MS27039-1-08	53-20-00-01	-020	01
MS27039-1-08	21-60-00-01	-002	04	MS27039-1-08	55-20-00-01	-002	02
MS27039-1-08	23-10-01-01	-003	04	MS27039-1-08	55-20-00-01	-183	02
MS27039-1-08	23-16-00-01	-011	04	MS27039-1-08	55-40-00-01	-033	01
MS27039-1-08	24-20-00-03	-009	02	MS27039-1-08	55-40-00-01	-098	02
MS27039-1-08	24-30-00-01	-003	04	MS27039-1-09	21-50-00-01	-011	04
MS27039-1-08	24-30-01-01	-004	01	MS27039-1-09	24-20-00-02	-002	04
MS27039-1-08	24-30-01-01	-080	01	MS27039-1-09	25-11-00-01	-026	02
MS27039-1-08	24-40-00-01	-012	02	MS27039-1-09	25-20-05-01	-394	06
MS27039-1-08	25-20-02-02	-118	AR	MS27039-1-09	25-21-00-03	-004	02
MS27039-1-08	25-20-05-01	-409	02	MS27039-1-09	25-21-00-03	-013	02
MS27039-1-08	25-21-00-03	-020	01	MS27039-1-09	25-21-00-03	-023	02
MS27039-1-08	25-21-00-03	-028	01	MS27039-1-09	25-21-00-03	-027	02
MS27039-1-08	25-21-00-03	-037	02	MS27039-1-09	25-21-00-03	-031	02
MS27039-1-08	25-22-00-01	-047	04	MS27039-1-09	25-21-00-03	-036	02
MS27039-1-08	25-70-01-01	-015	02	MS27039-1-09	25-21-00-04	-016	01
MS27039-1-08	27-10-00-03	-002	04	MS27039-1-09	25-21-01-02	-005	02
MS27039-1-08	27-10-02-02	-046	04	MS27039-1-09	25-26-00-01	-077	03
MS27039-1-08	27-30-00-01	-028	03	MS27039-1-09	25-30-00-01	-007	03
MS27039-1-08	27-30-01-01	-165	04	MS27039-1-09	25-30-00-02	-029	03
MS27039-1-08	27-30-01-01	-176	04	MS27039-1-09	27-30-01-01	-166	02
MS27039-1-08	27-50-01-01	-112	01	MS27039-1-09	27-50-01-01	-042	01
MS27039-1-08	27-60-00-02	-099	01	MS27039-1-09	27-50-01-01	-080	01
MS27039-1-08	27-70-00-01	-006	01	MS27039-1-09	29-10-00-01	-258	01
MS27039-1-08	27-70-00-01	-014	01	MS27039-1-09	30-40-00-01	-076	02
MS27039-1-08	27-70-00-01	-040	01	MS27039-1-09	32-30-00-02	-041	01
MS27039-1-08	28-20-00-02	-017	01	MS27039-1-09	32-30-00-02	-177	01
MS27039-1-08	30-10-00-01	-076	02	MS27039-1-09	32-30-00-03	-025	01
MS27039-1-08	30-10-00-01	-086	02	MS27039-1-09	32-41-00-01	-040	01
MS27039-1-08	30-10-00-01	-102	06	MS27039-1-09	32-41-00-01	-166	02
MS27039-1-08	30-40-00-02	-014	01	MS27039-1-09	32-41-00-01	-181	01
MS27039-1-08	30-40-00-02	-024	01	MS27039-1-09	32-41-00-02	-029	01
MS27039-1-08	30-40-00-03	-036	02	MS27039-1-09	32-41-00-03	-083	04
MS27039-1-08	30-40-00-03	-077	04	MS27039-1-09	32-41-00-04	-009	01
MS27039-1-08	30-40-00-03	-095	01	MS27039-1-09	32-41-00-05	-016	01
MS27039-1-08	30-40-00-03	-116	04	MS27039-1-09	32-41-00-05	-079	01
MS27039-1-08	32-30-00-02	-095	01	MS27039-1-09	35-00-00-01	-077	01
MS27039-1-08	32-30-00-02	-167	01	MS27039-1-09	38-30-00-01	-121	08
MS27039-1-08	32-30-00-04	-012	02	MS27039-1-09	52-10-00-03	-026	04
MS27039-1-08	32-30-00-04	-022	02	MS27039-1-09	53-10-00-04	-003	01
MS27039-1-08	32-30-00-05	-008	02	MS27039-1-09	53-20-00-01	-037	01
MS27039-1-08	32-30-00-06	-006	01	MS27039-1-09	53-20-03-01	-274	04
MS27039-1-08	32-30-00-06	-024	02	MS27039-1-09	53-20-04-01	-077	04
MS27039-1-08	32-30-01-04	-097	01	MS27039-1-09	53-21-00-03	-016	17
MS27039-1-08	32-41-00-01	-098	01	MS27039-1-09	55-40-00-01	-093	06
MS27039-1-08	32-41-00-01	-102	01	MS27039-1-09	79-30-00-01	-007	01
MS27039-1-08	32-41-00-03	-100	01	MS27039-1-10	23-10-00-01	-023	04
MS27039-1-08	32-41-00-04	-028	01	MS27039-1-10	23-16-00-01	-003	04
MS27039-1-08	32-41-00-04	-040	01	MS27039-1-10	25-21-00-03	-010	01
MS27039-1-08	32-70-00-02	-005	04	MS27039-1-10	25-21-00-03	-032	01
MS27039-1-08	33-10-00-03	-002	02	MS27039-1-10	27-10-00-04	-025	04
MS27039-1-08	34-11-00-01	-028	01	MS27039-1-10	27-30-01-01	-167	01
MS27039-1-08	34-11-00-02	-022	01	MS27039-1-10	27-50-00-02	-018	02
MS27039-1-08	34-11-00-02	-081	01	MS27039-1-10	27-70-00-01	-010	01
MS27039-1-08	34-11-00-02	-103	01	MS27039-1-10	32-30-01-03	-037	01
MS27039-1-08	34-11-00-02	-110	01	MS27039-1-10	32-30-01-04	-029	01
MS27039-1-08	34-11-00-02	-119	01	MS27039-1-10	32-30-01-04	-045	01
MS27039-1-08	35-30-00-02	-002	04	MS27039-1-10	32-41-00-03	-007	02
MS27039-1-08	36-10-00-01	-158	01	MS27039-1-10	32-41-00-05	-012	01
MS27039-1-08	36-10-00-02	-005	02	MS27039-1-10	32-50-00-01	-108	02
MS27039-1-08	53-10-00-01	-172	02	MS27039-1-10	38-30-00-01	-078	01
MS27039-1-08	53-20-00-01	-010	01	MS27039-1-10	38-30-00-01	-169B	02

CESSNA®  
**MODEL 525 (SERIALS -0685 AND -0800 AND ON)**  
 ILLUSTRATED PARTS CATALOG

PART NUMBER	CH	SEC	SUBJ	FIG	ITEM	REQ	PART NUMBER	CH	SEC	SUBJ	FIG	ITEM	REQ
MS27039-1-10	52	30	00	02	-091	02	MS27039-1-22	29	10	00	01	-116	01
MS27039-1-10	53	20	00	01	-104	02	MS27039-1-22	32	30	01	03	-015	01
MS27039-1-10	53	21	00	01	-016	01	MS27039-1-23	27	50	01	01	-037	01
MS27039-1-10	53	21	00	01	-030	01	MS27039-1-23	32	41	00	01	-161	03
MS27039-1-10	55	20	00	01	-157	06	MS27039-1-24	25	26	00	01	-045	01
MS27039-1-11	24	30	01	01	-018	02	MS27039-1-24	32	41	00	01	-036	01
MS27039-1-11	27	50	01	01	-096	01	MS27039-1-25	32	30	00	03	-047	01
MS27039-1-11	32	10	00	01	-014	01	MS27039-1-25	36	10	00	03	-020	01
MS27039-1-11	32	30	01	04	-033	01	MS27039-1-26	32	41	00	05	-024	01
MS27039-1-12	25	20	02	02	-151A	02	MS27039-1-26	32	41	00	05	-110	02
MS27039-1-12	29	10	00	01	-086	01	MS27039-1-28	27	20	01	01	-002	02
MS27039-1-12	29	10	00	01	-095	01	MS27039-1-29	55	20	00	01	-039	02
MS27039-1-12	29	10	00	01	-098	01	MS27039-1-31	27	10	02	01	-037	01
MS27039-1-12	32	30	00	06	-010	02	MS27039-1-33	35	00	00	01	-081	01
MS27039-1-12	34	11	00	01	-031	01	MS27039-1-35	27	30	01	01	-173	02
MS27039-1-12	52	10	00	01	-114	02	MS27039-1-35	27	50	00	02	-036	04
MS27039-1-12	52	30	00	01	-097	03	MS27039-1-40	25	20	00	01	-013A	03
MS27039-1-12	52	60	00	01	-030	03	MS27039-1-44	25	21	00	02	-015	02
MS27039-1-12	52	60	00	02	-086	03	MS27039-1-48	32	30	00	06	-014	01
MS27039-1-14	24	40	00	01	-031	04	MS27039-4-08	23	10	00	01	-008	07
MS27039-1-14	25	21	01	02	-099	01	MS27039-4-08	32	30	02	01	-042	02
MS27039-1-14	25	26	00	01	-032	01	MS27039-4-09	53	20	00	01	-158	04
MS27039-1-14	25	30	00	03	-005	01	MS27039-4-10	23	10	00	01	-007	01
MS27039-1-14	26	20	01	01	-002	04	MS27039-4-10	24	20	00	01	-003	04
MS27039-1-14	27	50	01	01	-096A	01	MS27039-4-11	27	20	01	01	-024	01
MS27039-1-14	29	10	00	01	-161	01	MS27039-4-12	53	20	00	02	-015	01
MS27039-1-14	29	10	00	01	-165	01	MS27039-4-12	53	20	00	02	-029	01
MS27039-1-14	32	30	01	03	-046	01	MS27039-4-12	53	20	00	02	-080	01
MS27039-1-14	32	41	00	03	-034	01	MS27039-4-12	53	20	00	02	-087	01
MS27039-1-14	32	41	00	03	-048	01	MS27039-4-12	53	20	00	02	-099	01
MS27039-1-14	32	41	00	05	-095	01	MS27039-4-15	52	60	00	01	-024	01
MS27039-1-14	34	11	00	01	-009	01	MS27039-4-17	52	60	00	01	-076	01
MS27039-1-15	27	50	01	01	-032	01	MS27039-4-17	52	60	00	01	-084	01
MS27039-1-15	30	40	00	03	-006	01	MS27039-4-20	52	60	00	02	-034	01
MS27039-1-15	32	30	00	03	-085	01	MS27039-4-24	25	20	05	01	-014	01
MS27039-1-15	32	30	02	01	-053	01	MS27039-4-25	52	60	00	02	-010	04
MS27039-1-15	32	41	00	01	-009	01	MS27039-4-33	52	60	00	01	-023	01
MS27039-1-15	34	11	00	02	-107	01	MS27039-4-44	29	10	00	02	-034	03
MS27039-1-16	30	40	00	01	-020	01	MS27039-4-48	52	60	00	01	-013	01
MS27039-1-16	32	30	00	02	-155	01	MS27039-5-40	27	30	01	01	-076	01
MS27039-1-16	52	20	00	01	-004	01	MS27039C0807	54	50	01	01	-008	01
MS27039-1-17	26	20	01	01	-006	06	MS27039C0808	26	20	00	01	-013	04
MS27039-1-18	27	30	01	01	-015	03	MS27039C0808	53	11	00	01	-091	02
MS27039-1-18	27	50	01	01	-092A	01	MS27039C0808	53	11	00	01	-098	02
MS27039-1-18	32	30	00	02	-080	01	MS27039C0808	53	11	00	01A	-025	02
MS27039-1-18	32	30	00	06	-028	01	MS27039C0808	53	11	00	01A	-042	02
MS27039-1-18	32	41	00	01	-043	02	MS27039C0808	53	11	00	01A	-082	01
MS27039-1-18	32	41	00	02	-004	01	MS27039C0812	23	10	02	01	-013	06
MS27039-1-18	32	41	00	02	-012	01	MS27039C0812	34	35	00	01	-003	08
MS27039-1-18	38	30	00	01	-079	04	MS27039C1-06	24	50	04	01	-087	02
MS27039-1-19	32	30	01	03	-014	01	MS27039C1-06	57	40	00	01	-014	03
MS27039-1-19	32	30	01	03	-021	02	MS27039C1-06	57	40	00	01	-087	02
MS27039-1-20	29	10	00	01	-117	01	MS27039C1-07	28	10	00	01	-046	02
MS27039-1-20	32	30	01	03	-031	01	MS27039C1-07	28	20	00	01	-030	08
MS27039-1-20	52	60	00	01	-033	03	MS27039C1-08	23	10	02	01	-016	04
MS27039-1-20	52	60	00	01	-091	04	MS27039C1-08	33	40	00	03	-016	01
MS27039-1-20	52	60	00	02	-080	04	MS27039C1-09	25	26	00	01	-034	02
MS27039-1-21	25	20	00	01	-013	03	MS27039C1-09	25	26	00	01	-038	02
MS27039-1-21	27	50	00	02	-078	02	MS27039C1-09	25	26	00	01	-048	02
MS27039-1-21	27	50	01	01	-092	01	MS27039C1-09	25	26	00	01	-053	02
MS27039-1-22	25	20	05	01	-165	02	MS27039C1-09	25	26	00	02	-002	06
MS27039-1-22	27	60	00	02	-086	01	MS27039C1-09	25	26	00	02	-018	02



CESSNA®  
**MODEL 525 (SERIALS -0685 AND -0800 AND ON)**  
 ILLUSTRATED PARTS CATALOG

PART NUMBER	CH SEC SUBJ FIG	ITEM	REQ	PART NUMBER	CH SEC SUBJ FIG	ITEM	REQ
MS27039C1-09	25-30-00-03	-004	02	MS28034-3	30-40-00-03	-047	01
MS27039C1-09	25-30-00-03	-014	02	MS28034-3	79-30-00-01	-011	02
MS27039C1-09	25-30-00-03	-021	02	MS28774-014	32-41-00-03	-167	02
MS27039C1-09	25-30-00-03	-112	04	MS28774-129	32-41-00-03	-166	01
MS27039C1-09	28-10-00-01	-036	02	MS28774-130	29-10-00-02	-036	01
MS27039C1-09	34-30-10-01	-002	04	MS28774-130	32-41-00-03	-163	01
MS27039C1-09	53-10-00-02	-013	02	MS28774-227	29-10-00-02	-031	02
MS27039C1-09	53-10-00-02	-016	02	MS28775-006	35-00-00-01	-031	01
MS27039C1-09	53-12-00-01	-033	02	MS28775-012	32-41-00-01	-003	05
MS27039C1-10	25-20-00-01	-083	02	MS28775-012	32-41-00-03	-180	01
MS27039C1-12	23-16-00-01	-033	08	MS28775-014	32-41-00-03	-168	01
MS27039C1-12	25-20-00-01	-079	02	MS28775-129	32-41-00-03	-165	01
MS27039C1-12	25-60-00-01	-003	06	MS28775-130	32-41-00-03	-164	01
MS27039C1-12	34-44-01-01	-002	04	MS28775-227	29-10-00-02	-032	01
MS27039C1-15	23-10-01-01	-013	04	MS28775-318	25-20-05-01	-157	04
MS27039C1-18	34-44-00-02	-007	04	MS28778-16	32-41-00-03	-178	01
MS27039C1-18	34-46-00-02	-009	04	MS28778-6	36-10-00-03	-046	02
MS27039C1-20	34-52-00-01	-002	03	MS28778-6	36-10-00-03	-080	05
MS27253-1	52-10-00-01	-030	NP	MS28778-8	29-10-00-02	-019	02
MS27253-1	55-10-00-03	-011	01	MS28778-8	32-41-02-01	-009	02
MS27253-1	55-20-00-01	-049	NP	MS28889-2	32-41-00-01	-109	01
MS27253-1	55-30-00-03	-171	NP	MS29512-02	73-10-00-01	-024	02
MS27253-1	55-40-00-01	-031	NP	MS29512-04	32-41-00-01	-115	01
MS27253-1	57-10-01-02	-018	NP	MS29512-04	32-41-00-03	-040	01
MS27640-4	55-30-01-01	-094	01	MS29512-04	32-41-00-03	-092	01
MS27641-12	27-30-01-01	-191	01	MS29512-04	32-41-00-03	-170	01
MS27641-4	32-50-00-01	-104A	02	MS29512-04	32-41-00-03	-172	01
MS27641-4	55-10-00-01	-076	01	MS29512-04	71-70-00-01	-003	01
MS27641-4	55-10-00-01	-081	01	MS29512-04	73-10-00-01	-028	02
MS27641-4	55-30-01-01	-084	01	MS29512-06	32-41-00-01	-086	01
MS27641-4	57-60-00-01	-015	01	MS29512-06	32-41-00-01	-090	01
MS27641-4	57-60-00-01	-028	01	MS29512-06	32-41-00-03	-039	01
MS27646-39	27-20-01-01	-006	02	MS29512-06	32-41-00-03	-090	01
MS27647-6	27-30-00-02	-006	01	MS29512-06	32-41-00-03	-113	01
MS27647-6	27-30-01-01	-163	01	MS29512-06	32-41-00-03	-174	01
MS27647-6G	27-30-00-02	-007	01	MS29512-08	32-41-00-03	-176	01
MS27648-16	53-10-00-01	-163	01	MS29512-10	28-10-00-01	-041	01
MS27975-2	27-70-00-01	-043	01	MS29513-015	28-20-00-01	-102	08
MS27975-2	27-70-00-01	-152	04	MS29513-022	28-20-00-01	-010	01
MS27975-4	27-70-00-01	-095	02	MS29513-112	28-20-00-01	-045	05
MS27980-11N	25-21-00-03	-002	04	MS29513-117	28-10-00-01	-012	32
MS27980-11N	25-21-00-04	-008	AR	MS29513-214	28-20-00-01	-004	04
MS27980-1N	25-21-00-01	-003	11	MS29513-217	28-20-00-01	-006	04
MS27980-1N	25-21-00-01	-004	10	MS29513-217	28-20-00-01	-095	01
MS27980-1N	25-21-01-01	-007	08	MS29561-248	34-25-00-01	-009	01
MS27980-1N	25-21-01-01	-008	07	MS30911-231	31-10-00-01	-155	01
MS27980-6N	25-21-00-01	-005	11	MS3215-4018	52-60-00-01	-008	01
MS27980-6N	25-21-00-01	-006	10	MS3341-2-9	53-21-00-01	-151	01
MS27980-6N	25-21-01-01	-009	08	MS3341-2-9	53-50-00-02	-174	02
MS27980-6N	25-21-01-01	-010	07	MS3367-1-0	36-10-00-03	-050	02
MS27981-1B	24-50-02-01	-014	02	MS3367-1-9	27-50-00-01	-031	02
MS27981-1B	27-30-01-01	-103	03	MS3367-1-9	27-50-00-02	-119	02
MS27981-3B	24-50-02-01	-015	02	MS3367-1-9	27-60-00-01	-018	04
MS27981-3B	27-30-01-01	-104	03	MS3367-1-9	28-20-00-01	-081	02
MS27981-4B	24-50-02-01	-016	02	MS3367-1-9	28-20-00-01	-108	02
MS27981-4B	27-30-01-01	-105	03	MS3367-1-9	32-20-00-01	-028	06
MS27981-5B	24-50-02-01	-017	02	MS3367-1-9	38-30-00-01	-161	13
MS27981-5B	27-30-01-01	-106	03	MS3367-1-9	52-30-00-01	-025	04
MS27994-1	27-50-00-02	-098	01	MS3367-2-9	21-21-00-03	-041	01
MS27994-1	52-30-00-01	-107	01	MS3367-2-9	21-21-01-01	-013	01
MS27994-1	52-30-00-02	-105	01	MS3367-2-9	21-21-01-01	-016	02
MS28034-3	28-20-00-01	-084	02	MS3367-2-9	32-20-00-01	-029	03

CESSNA®  
**MODEL 525 (SERIALS -0685 AND -0800 AND ON)**  
 ILLUSTRATED PARTS CATALOG

PART NUMBER	CH	SEC	SUBJ	FIG	ITEM	REQ	PART NUMBER	CH	SEC	SUBJ	FIG	ITEM	REQ
MS3367-2-9	32	30	01	04	-103	01	MS35206-228	21	22	00	01	-003	04
MS3367-6-9	21	21	00	01	-005	01	MS35206-228	21	60	00	01	-011	01
MS35058-22	30	40	00	02	-032	01	MS35206-228	24	50	01	01	-109	02
MS35058-22	31	10	00	01	-008	01	MS35206-228	24	50	01	02	-099	02
MS35058-22	31	10	00	01	-077	01	MS35206-228	24	50	02	02	-189	06
MS35058-22	31	10	00	01	-080	01	MS35206-228	25	10	00	01	-023	09
MS35058-22	31	10	00	01	-083	01	MS35206-228	25	10	00	01	-032	02
MS35058-23	30	10	00	01	-157	01	MS35206-228	25	10	02	02	-085	06
MS35058-23	31	10	00	01	-010	01	MS35206-228	25	10	02	03	-076	08
MS35058-23	31	10	00	01	-153	01	MS35206-228	25	10	02	03	-100	02
MS35058-27	31	10	00	01	-009	01	MS35206-228	25	20	00	02	-007	01
MS35059-23	31	10	00	01	-012	01	MS35206-228	25	20	00	02	-015	01
MS35059-23	31	10	00	01	-016	01	MS35206-228	25	20	00	02	-032	06
MS35059-23	31	10	00	01	-152	01	MS35206-228	25	20	01	01	-008	10
MS3506-1	24	40	00	01	-030	01	MS35206-228	25	20	05	01	-252	02
MS35190-223	76	10	01	03	-008	03	MS35206-228	25	20	05	01	-261	15
MS35190-223	76	10	01	03	-012	03	MS35206-228	30	30	00	01	-005	04
MS35206-204	33	50	00	01	-006	02	MS35206-228	30	30	00	01	-012	02
MS35206-205	24	50	03	01	-017	04	MS35206-228	33	10	00	01	-002	04
MS35206-206	23	10	02	02	-003	02	MS35206-228	33	20	00	02	-006	02
MS35206-207	52	30	00	01	-110	02	MS35206-228	33	30	00	01	-006	02
MS35206-207	52	30	00	02	-107	02	MS35206-228	33	50	00	01	-002	02
MS35206-213	25	10	00	01	-028	02	MS35206-228	34	52	00	01	-015	05
MS35206-213	31	10	00	01	-086	02	MS35206-228	34	52	00	01	-019	04
MS35206-213	33	10	00	02	-002	02	MS35206-228	35	00	00	01	-028	01
MS35206-213	36	10	00	01	-192	02	MS35206-228	55	20	00	01	-186	01
MS35206-214	23	10	00	01	-040	01	MS35206-228	57	60	00	01	-035	01
MS35206-214	24	50	03	01	-015	26	MS35206-228	57	60	00	02	-173	01
MS35206-214	24	50	03	01	-020	02	MS35206-228	76	10	01	03	-024	02
MS35206-214	25	10	00	01	-029	02	MS35206-229	21	21	00	01	-017	03
MS35206-214	53	11	00	02	-006	07	MS35206-229	21	50	02	01	-026	02
MS35206-214	53	11	00	02A	-006	07	MS35206-229	23	10	00	01	-032	02
MS35206-214	76	10	01	02	-079	02	MS35206-229	23	10	02	02	-008	02
MS35206-215	23	10	02	01	-010	04	MS35206-229	23	50	00	01	-012	02
MS35206-215	24	52	00	01	-006	04	MS35206-229	24	50	04	01	-085	02
MS35206-215	25	20	05	01	-090	01	MS35206-229	25	10	00	01	-008	12
MS35206-215	33	20	00	02	-006A	02	MS35206-229	25	10	00	02	-004	08
MS35206-215	38	30	00	01	-178	04	MS35206-229	25	20	00	01	-031	02
MS35206-216	24	50	00	01	-011	16	MS35206-230	24	50	00	01	-008	02
MS35206-216	24	50	02	02	-229	04	MS35206-230	24	50	02	02	-226	02
MS35206-216	24	50	02	02	-232	04	MS35206-230	25	20	01	01	-037	02
MS35206-216	25	21	00	02	-086	02	MS35206-230	28	40	00	01	-002	02
MS35206-217	28	10	00	02	-012	02	MS35206-230	34	30	00	01	-007	02
MS35206-217	28	20	00	01	-034	02	MS35206-230	44	20	00	01	-004	02
MS35206-217	33	40	00	02	-002	02	MS35206-230	52	80	00	01	-030	01
MS35206-219	76	10	01	02	-093	01	MS35206-231	21	21	00	02	-006	02
MS35206-220	25	20	05	01	-096	01	MS35206-231	25	21	00	03	-041	02
MS35206-225	25	20	05	01	-320	03	MS35206-231	25	21	00	04	-011	02
MS35206-226	23	50	00	03	-002	04	MS35206-231	26	20	00	01	-015	01
MS35206-226	25	20	00	02	-006	01	MS35206-233	30	30	00	01	-003	02
MS35206-226	25	20	00	02	-014	02	MS35206-233	30	30	00	01	-010	02
MS35206-226	30	40	00	03	-019	02	MS35206-233	52	30	00	01	-023	01
MS35206-226	31	30	01	01	-005	04	MS35206-236	21	20	00	03	-077	02
MS35206-226	35	10	00	01	-025	04	MS35206-240	24	20	00	01	-021	02
MS35206-227	23	70	00	01	-003	03	MS35206-240	24	20	00	02	-019	02
MS35206-227	24	50	03	01	-012	16	MS35206-241	23	50	00	03	-005	02
MS35206-227	25	10	02	02	-165	02	MS35206-241	25	20	02	02	-161	04
MS35206-227	25	20	00	02	-029	02	MS35206-241	25	20	05	01	-265	02
MS35206-227	33	20	00	01	-010	04	MS35206-241	38	30	00	01	-185	02
MS35206-227	33	20	00	02	-004	02	MS35206-242	23	10	00	01	-037	01
MS35206-227	36	10	00	01	-196	04	MS35206-243	23	16	00	01	-030	02
MS35206-227	53	10	00	01	-083	01	MS35206-243	27	20	01	01	-152	02

CESSNA®  
**MODEL 525 (SERIALS -0685 AND -0800 AND ON)**  
 ILLUSTRATED PARTS CATALOG

PART NUMBER	CH SEC SUBJ FIG	ITEM	REQ	PART NUMBER	CH SEC SUBJ FIG	ITEM	REQ
MS35206-243	30-40-00-01	-227	02	MS35207-263	32-30-01-04	-101	06
MS35206-243	38-30-00-01	-182	02	MS35207-263	33-00-00-01	-002	04
MS35206-243	53-30-00-01	-013	01	MS35207-263	34-25-00-01	-015	04
MS35206-244	23-30-00-01	-006	04	MS35207-263	34-25-00-01	-017	04
MS35206-244	24-40-00-01	-028	02	MS35207-263	34-40-00-01	-003	04
MS35206-244	24-50-00-01	-003	04	MS35207-263	35-00-00-01	-092	01
MS35206-244	24-50-02-02	-114	04	MS35207-263	35-00-00-01	-095	01
MS35206-244	24-50-02-02	-152	04	MS35207-263	35-10-00-01	-010	01
MS35206-244	24-50-02-02	-185	04	MS35207-263	35-10-00-01	-013	01
MS35206-244	24-50-02-03	-023	02	MS35207-263	52-10-00-03	-130	10
MS35206-244	24-50-03-01	-002	04	MS35207-263	52-10-01-02	-004	04
MS35206-244	25-10-02-03	-079	08	MS35207-263	57-60-00-02	-155	05
MS35206-244	25-29-00-01	-007	04	MS35207-263	71-50-00-01	-016	01
MS35206-244	31-30-01-01	-002	04	MS35207-263	71-50-00-01	-089	01
MS35206-244	33-00-00-01	-004	02	MS35207-264	25-20-02-01	-013	01
MS35206-245	21-21-00-02	-002	03	MS35207-264	34-44-00-02	-003	04
MS35206-245	23-10-02-01	-003	02	MS35207-264	57-60-00-02	-174	01
MS35206-245	23-50-01-02	-004	04	MS35207-265	21-21-00-03	-003	02
MS35206-245	23-70-00-01	-010	12	MS35207-266	23-50-00-02	-006	01
MS35206-245	23-70-00-01	-013	03	MS35207-266	24-50-02-05	-112	02
MS35206-245	24-50-04-01	-017	04	MS35207-266	34-44-00-02	-011	01
MS35206-245	24-52-00-01	-002	02	MS35207-266	71-50-00-01	-017	05
MS35206-245	25-70-00-02	-040	03	MS35207-266	71-50-00-01	-090	05
MS35206-245	30-40-00-01	-226	02	MS35207-267	23-10-01-01	-005	04
MS35206-245	31-40-00-01	-003	04	MS35207-267	23-10-01-01	-009	04
MS35206-245	32-30-00-01	-031	02	MS35207-267	24-50-02-05	-103	01
MS35206-245	34-12-00-01	-004	04	MS35207-267	24-50-04-01	-018A	02
MS35206-245	34-30-10-01	-009	02	MS35207-268	24-50-04-01	-081	02
MS35206-245	34-44-00-01	-003	04	MS35207-271	27-20-02-01	-103	01
MS35206-245	34-44-01-01	-014	04	MS35207-271	27-30-02-01	-155	02
MS35206-245	34-51-00-01	-007	04	MS35207-274	53-20-00-01	-025	01
MS35206-245	34-51-00-02	-007	04	MS35207-280	24-50-02-05	-110	02
MS35206-245	34-61-05-01	-003	04	MS35207-284	21-50-02-01	-011	01
MS35206-245	52-60-00-02	-076	03	MS35207-284	24-50-02-05	-003	11
MS35206-245	52-80-00-01	-023	01	MS35214-14	11-C-23-02	-002	04
MS35206-246	23-50-00-01	-018	04	MS35214-14	11-CR-23-02	-002	04
MS35206-246	24-50-02-02	-112	08	MS35214-14	11-D-23-02	-002	04
MS35206-246	24-50-04-01	-030	02	MS35214-14	11-F-23-02	-002	04
MS35206-246	25-60-00-01	-012	04	MS35214-14	11-G-23-02	-002	04
MS35206-246	34-50-00-01	-016	04	MS35214-14	11-HB-23-02	-002	04
MS35206-247	25-10-02-01	-024	01	MS35214-14	11-HL-23-02	-002	04
MS35206-247	34-46-00-02	-003	06	MS35214-14	11-I-23-02	-002	04
MS35206-247	57-50-01-02	-003	01	MS35214-14	11-JA-23-02	-002	04
MS35206-250	57-50-01-02	-002	01	MS35214-14	11-LX-23-02	-002	04
MS35206-259	29-10-00-02	-005	01	MS35214-14	11-M-23-02	-002	04
MS35206-323	32-10-00-01	-010	01	MS35214-14	11-N-23-02	-002	04
MS35206-326	32-30-00-01	-025	04	MS35214-14	11-OK-23-02	-002	04
MS35206-328	24-50-02-02	-193	02	MS35214-14	11-OY-23-02	-002	04
MS35206-331	52-30-00-02	-017	02	MS35214-14	11-PP-23-03	-002	04
MS35206-338	24-50-04-01	-018	NP	MS35214-14	11-RP-23-02	-002	04
MS35207-226	27-20-00-02	-009	02	MS35214-14	11-RS-23-02	-002	04
MS35207-226	34-11-00-01	-003	04	MS35214-14	11-SP-23-02	-002	04
MS35207-243	33-40-00-01	-005	01	MS35214-14	11-T7-23-02	-002	04
MS35207-244	25-20-05-01	-181	01	MS35214-14	11-VH-23-02	-002	04
MS35207-259	25-20-02-02	-167	01	MS35214-14	11-YR-23-02	-002	04
MS35207-261	27-20-00-02	-010	03	MS35214-14	33-10-00-01	-085	02
MS35207-263	24-30-00-01	-011	04	MS35214-14	34-20-00-01	-010	02
MS35207-263	24-30-01-01	-014	04	MS35214-14	53-20-04-01	-041	02
MS35207-263	24-30-01-01	-021	04	MS35214-24	34-25-00-01	-007	02
MS35207-263	24-50-02-02	-028	04	MS35218-11	57-40-00-01	-100	02
MS35207-263	24-50-02-02	-107	04	MS35266-65	55-40-00-01	-029	03
MS35207-263	32-10-00-01	-024	05	MS35307-359	25-30-00-03	-078	02

CESSNA®  
**MODEL 525 (SERIALS -0685 AND -0800 AND ON)**  
 ILLUSTRATED PARTS CATALOG

PART NUMBER	CH	SEC	SUBJ	FIG	ITEM	REQ	PART NUMBER	CH	SEC	SUBJ	FIG	ITEM	REQ
MS35333-35	52	30	00	01	-111	02	MS35489-17	35	20	00	01	-007	01
MS35333-35	52	30	00	02	-109	02	MS35489-17	53	20	03	01	-087	01
MS35333-37	31	30	01	01	-007	04	MS35489-17	53	25	00	01	-004	02
MS35333-39	53	12	00	01	-037	01	MS35489-17	56	10	01	02	-017	01
MS35333-40	52	60	00	01	-025	03	MS35489-18	29	10	00	01	-100	02
MS35333-40	52	60	00	01	-077	01	MS35489-19	36	10	00	03	-003	01
MS35333-40	52	60	00	02	-011	04	MS35489-19	53	20	03	01	-088	01
MS35333-42	27	50	00	01	-029	01	MS35489-19	53	20	03	01	-160	01
MS35333-44	36	10	00	03	-011	01	MS35489-19	53	20	07	01	-010	02
MS35333-78	52	60	00	01	-085	01	MS35489-19	53	20	07	01	-154	02
MS35335-35	25	30	00	03	-079	02	MS35489-21	26	20	00	01	-009	02
MS35338-139	21	50	02	01	-013	01	MS35489-22	55	30	00	03	-083	01
MS35338-155	26	20	00	01	-017	02	MS35489-4	53	21	00	01	-153	02
MS35338-157	23	50	00	02	-008	02	MS35489-4	71	50	00	01	-019	01
MS35338-157	34	44	00	02	-012	02	MS35489-4	71	50	00	01	-092	01
MS35338-157	71	50	00	01	-018	06	MS35489-41	52	10	00	01	-025	01
MS35338-157	71	50	00	01	-091	06	MS35489-44	23	16	00	01	-039	01
MS35338-40	24	50	00	01	-012	16	MS35489-6	52	10	01	02	-029A	02
MS35338-40	24	50	03	01	-021	02	MS35489-6	53	21	00	04	-034	01
MS35338-41	24	50	03	01	-014	16	MS35489-7	27	50	00	01	-030	01
MS35338-41	25	20	00	01	-032	02	MS35489-7	34	11	00	01	-024	03
MS35338-41	34	11	00	01	-004	04	MS35489-8	36	10	00	02	-010	01
MS35338-42	33	40	00	01	-007	01	MS35489-9	25	20	02	02	-114	02
MS35338-42	52	30	00	02	-115	01	MS35649-222	52	30	00	01	-112	02
MS35338-42	53	30	00	01	-014	01	MS35649-222	52	30	00	02	-110	02
MS35338-43	23	10	00	01	-012	01	MS35649-2312	52	30	00	02	-029	01
MS35338-43	24	50	02	02	-025	04	MS35649-265T	26	20	00	01	-018	02
MS35338-43	24	50	02	02	-108	04	MS35650-302B	27	70	00	01	-035	01
MS35338-43	24	50	02	05	-105	03	MS35650-302B	32	30	01	02	-009	01
MS35338-44	24	50	02	05	-004	11	MS35650-305T	23	50	00	02	-009	02
MS35338-44	24	50	02	05	-092	02	MS35650-305T	34	44	00	02	-014	02
MS35338-45	24	50	02	02	-088	38	MS35650-305T	71	50	00	01	-020	06
MS35338-45	24	50	02	05	-005	04	MS35650-305T	71	50	00	01	-093	06
MS35338-45	24	50	02	05	-093	02	MS35650-3252	27	70	00	01	-047	01
MS35338-45	24	50	04	01	-078	01	MS35650-3252	27	70	00	01	-096	02
MS35338-45	24	50	04	01	-095	02	MS35650-3252	27	70	00	01	-153	04
MS35338-45	24	50	04	01	-103	01	MS35675-14	32	30	00	03	-011	01
MS35338-46	24	50	02	02	-012	01	MS51521B12	29	10	00	02	-023	01
MS35338-46	24	50	02	02	-103	07	MS1981-18L	25	20	05	01	-193	02
MS35338-46	24	50	02	05	-115	01	MS90311-231	23	50	00	01	-002	01
MS35338-46	24	50	04	01	-010	01	MS90311-231	23	50	00	01	-006	01
MS35338-46	24	50	04	01	-096	02	MS90311-231	31	10	00	01	-163	01
MS35426-15	24	30	01	01	-007	01	MS9058-04	32	30	02	01	-028	02
MS35489-1	27	31	00	01	-009	01	MS9058-04	32	41	00	01	-016	04
MS35489-1	57	40	00	01	-089	01	MS9058-04	32	41	00	01	-114	01
MS35489-10	30	40	00	01	-196	02	MS9058-04	32	41	00	03	-196	01
MS35489-10	35	10	00	01	-019	02	MS9058-04	32	41	00	05	-004	01
MS35489-10	71	60	00	01	-084	03	MS9058-06	32	41	00	01	-085	01
MS35489-11	53	25	00	01	-017	01	MS9058-06	32	41	00	03	-089	01
MS35489-11	57	60	00	01	-037	10	MS9068-012	30	40	00	03	-091	01
MS35489-12	24	30	01	01	-010	02	MS9068-014	30	40	00	03	-088	01
MS35489-12	28	20	00	02	-014	04	MS9068-035	30	40	00	03	-080	01
MS35489-12	29	10	00	01	-130	02	MS9068-222	30	40	00	03	-083	04
MS35489-12	35	10	00	01	-015	01	MS9245-27	76	10	01	02	-024	01
MS35489-12	57	20	03	01	-158	02	MS9385-04	30	10	00	01	-114	02
MS35489-12	57	30	01	01	-043	02	MS9385-04	35	00	00	01	-035	01
MS35489-120	28	20	00	02	-008	04	MS9385-05	36	10	00	01	-080	02
MS35489-13	21	21	00	03	-054	01	MS9385-06	30	10	00	01	-112	06
MS35489-13	38	30	00	01	-199	01	MS9385-10	30	10	00	01	-083	01
MS35489-145	53	21	00	04	-035	01	MS9388-107	36	10	00	01	-191	01
MS35489-147	35	10	00	01	-027	01	MS9592-054	73	10	00	01	-032	02
MS35489-17	21	21	00	03	-053	NP	MS9592-058	29	10	00	01	-019A	01

CESSNA®  
**MODEL 525 (SERIALS -0685 AND -0800 AND ON)**  
 ILLUSTRATED PARTS CATALOG

PART NUMBER	CH SEC SUBJ FIG	ITEM	REQ	PART NUMBER	CH SEC SUBJ FIG	ITEM	REQ
MS9592-104	29-10-00-01	-020	01	NAS1080K08	57-10-00-02	-106	02
MS9592-136	29-10-00-01	-019	01	NAS1080K08	57-10-00-02	-109	02
MSP100-01	44-20-00-01	-005	01	NAS1080K08	57-10-00-02	-172	04
MXP105	35-10-02-02	-002A	02	NAS1080K08	57-10-00-02	-266	04
MYI-10-07	25-20-05-01	-380	02	NAS1080K08	57-10-00-02	-311	04
N	11-00-00-01	-001	AR	NAS1080UK08	54-10-00-01	-003	08
NAS1022N4	53-20-00-01	-160A	04	NAS1081C3A2	25-11-00-01	-018	01
NAS1033A08	24-50-02-03	-010	04	NAS1102E06-6	57-40-00-01	-094	02
NAS1033A3	32-41-00-03	-188	01	NAS1149C0316R	24-50-04-01	-088	02
NAS1033A3	32-41-00-03	-191	01	NAS1149C0316R	28-10-00-01	-037	02
NAS1033A3	53-20-00-01	-168	02	NAS1149C0316R	28-10-00-01	-049	02
NAS1080-05	32-30-00-02	-025	03	NAS1149C0316R	29-10-00-01	-024	01
NAS1080AG04	55-20-00-01	-019	02	NAS1149C0316R	71-60-00-01	-003	09
NAS1080AG04	57-20-03-02	-024	02	NAS1149C0316R	78-10-00-01	-004	24
NAS1080AG05	27-10-00-04	-004	04	NAS1149C0332B	55-40-00-01	-107	06
NAS1080AG05	27-20-00-02	-155	02	NAS1149C0332R	25-20-00-01	-080	02
NAS1080AG05	53-40-00-03	-243	04	NAS1149C0332R	28-10-00-01	-026	02
NAS1080AG05	57-10-00-01	-010	AR	NAS1149C0332R	28-10-00-01	-030	03
NAS1080AG05	57-10-00-01	-017	AR	NAS1149C0332R	32-41-00-03	-008	02
NAS1080AG05	57-10-00-01	-160	72	NAS1149C0332R	57-40-00-01	-012	01
NAS1080AG05	57-10-00-01	-173	88	NAS1149C0363R	27-30-00-01	-113	02
NAS1080AG05	57-10-00-01	-242	AR	NAS1149C0363R	27-30-02-01	-174	02
NAS1080AG05	57-10-00-01	-248	AR	NAS1149C0363R	28-20-00-01	-019	07
NAS1080AG05	57-10-00-03	-257	04	NAS1149C0363R	57-60-00-01	-013	06
NAS1080AG05	57-10-00-03	-331	02	NAS1149C0363R	57-60-00-01	-026	04
NAS1080AG05	57-20-03-02	-016	02	NAS1149C0432R	21-50-02-01	-003	04
NAS1080AG05	57-20-03-02	-020	02	NAS1149C0432R	28-20-00-01	-091	04
NAS1080AG06	57-10-00-01	-012	16	NAS1149C0432R	71-00-00-01	-021	06
NAS1080AG06	57-10-00-01	-019	16	NAS1149C0463R	28-20-00-01	-093	04
NAS1080AG06	57-10-00-01	-153	40	NAS1149C0463R	57-60-00-02	-004	03
NAS1080AG06	57-10-00-01	-166	42	NAS1149C0532B	29-10-00-01	-003	04
NAS1080AG06	57-10-00-01	-239	10	NAS1149C0532B	80-10-00-01	-002	04
NAS1080AG06	57-10-00-01	-250	02	NAS1149C1232R	28-10-00-02	-008	AR
NAS1080AG06	57-10-00-03	-333	02	NAS1149CN316R	27-50-00-02	-094	10
NAS1080AG08	57-10-00-01	-155	16	NAS1149CN416R	23-10-00-01	-041	01
NAS1080AG08	57-10-00-01	-168	16	NAS1149CN432R	28-10-00-02	-014	AR
NAS1080AG08	57-10-00-01	-244	12	NAS1149CN432R	28-20-00-01	-035	02
NAS1080AG08	57-10-00-01	-252	12	NAS1149CN532R	76-10-01-02	-011	01
NAS1080C05	55-20-00-01	-014	03	NAS1149CN616R	76-10-01-02	-023	01
NAS1080K04	27-10-00-02	-015	04	NAS1149CN632R	21-21-00-01	-019	06
NAS1080K04	27-10-00-02	-022	02	NAS1149CN816R	54-50-01-01	-009	01
NAS1080K04	53-10-00-01	-183	08	NAS1149D0316H	23-50-00-02	-007	04
NAS1080K04	53-30-00-03	-003	04	NAS1149D0316H	30-40-00-02	-018	06
NAS1080K04	53-30-00-03	-028	03	NAS1149D0316H	34-44-00-02	-013	04
NAS1080K04	53-30-00-03	-034	03	NAS1149D0316H	71-50-00-01	-021B	20
NAS1080K04	57-20-03-02	-176	02	NAS1149D0316H	71-50-00-01	-094A	20
NAS1080K05	23-10-00-01	-020	04	NAS1149D0316K	21-50-01-01	-024	02
NAS1080K05	23-10-00-01	-027	06	NAS1149D0316K	52-20-00-01	-037	03
NAS1080K05	55-10-00-02	-157	12	NAS1149D0332J	28-10-00-01	-007	04
NAS1080K05	57-10-00-03	-166	01	NAS1149D0332J	32-10-00-01	-016	02
NAS1080K05	57-10-00-03	-178	02	NAS1149D0332J	71-50-00-01	-021	23
NAS1080K05	57-20-01-02	-013	25	NAS1149D0332J	71-50-00-01	-021A	03
NAS1080K05	57-20-03-02	-169	04	NAS1149D0332J	71-50-00-01	-094	25
NAS1080K05	57-20-03-02	-172	02	NAS1149D0332K	21-50-01-01	-026	01
NAS1080K06	57-10-00-02	-003	04	NAS1149D0332K	26-20-01-01	-003	04
NAS1080K06	57-10-00-02	-077	04	NAS1149D0332K	27-20-00-02	-004	04
NAS1080K06	57-10-00-02	-229	04	NAS1149D0332K	27-20-01-01	-030	01
NAS1080K06	57-10-01-02	-004	02	NAS1149D0332K	27-20-01-01	-083	06
NAS1080K06	57-50-01-01	-016	04	NAS1149D0332K	30-40-00-03	-078	02
NAS1080K08	57-10-00-02	-026	02	NAS1149D0332K	32-30-00-04	-044	02
NAS1080K08	57-10-00-02	-029	02	NAS1149D0332K	32-41-00-03	-151	06
NAS1080K08	57-10-00-02	-045	04	NAS1149D0332K	32-41-00-03	-159	06

CESSNA®  
**MODEL 525 (SERIALS -0685 AND -0800 AND ON)**  
 ILLUSTRATED PARTS CATALOG

PART NUMBER	CH	SEC	SUBJ	FIG	ITEM	REQ	PART NUMBER	CH	SEC	SUBJ	FIG	ITEM	REQ
NAS1149D0332K	33	40	00	03	-017	01	NAS1149DN316K	25	10	02	02	-091	10
NAS1149D0332K	52	10	00	01	-019	08	NAS1149DN616H	26	20	00	01	-016	04
NAS1149D0363H	56	10	00	01	-010	04	NAS1149DN632K	25	10	00	01	-009	06
NAS1149D0363H	56	10	00	01	-025	25	NAS1149DN632K	25	10	00	02	-005	04
NAS1149D0363H	56	10	00	01	-081	18	NAS1149DN816H	33	40	00	01	-006	01
NAS1149D0363H	56	10	00	01	-099	17	NAS1149DN816K	52	30	00	02	-114	01
NAS1149D0363H	56	10	00	01	-100	13	NAS1149DN816K	53	30	00	01	-016	01
NAS1149D0363J	32	30	01	01	-006	03	NAS1149DN816K	56	20	00	01	-004	24
NAS1149D0363J	32	41	00	05	-097	01	NAS1149DN816K	56	30	00	01	-004	19
NAS1149D0363J	52	30	00	01	-018	02	NAS1149DN832J	35	20	00	01	-012	04
NAS1149D0363K	27	20	01	01	-101	03	NAS1149DN832K	24	50	01	03	-004	04
NAS1149D0363K	27	20	01	01	-106	02	NAS1149DN832K	25	10	00	02	-010	02
NAS1149D0363K	27	30	00	01	-029	03	NAS1149DN832K	25	10	00	02	-026	02
NAS1149D0363K	30	40	00	01	-167	07	NAS1149DN832K	25	10	00	02	-036	02
NAS1149D0416K	32	30	01	02	-026	02	NAS1149DN832K	27	20	01	01	-153	02
NAS1149D0416K	32	41	00	03	-016	03	NAS1149DN832K	52	10	01	01	-194	02
NAS1149D0432K	27	20	01	01	-093	11	NAS1149EN632R	27	20	02	02	-009	03
NAS1149D0432K	27	20	01	01	-094	12	NAS1149F0316P	24	50	02	02	-109	08
NAS1149D0432K	27	20	01	01	-156	01	NAS1149F0316P	24	50	02	05	-106	03
NAS1149D0463H	21	50	02	01	-012	02	NAS1149F0316P	27	30	02	02	-005	01
NAS1149D0463H	27	50	01	01	-025	02	NAS1149F0316P	32	30	00	01	-007	01
NAS1149D0463H	56	10	00	01	-009	04	NAS1149F0316P	32	30	00	04	-004	01
NAS1149D0463H	56	10	00	01	-018	32	NAS1149F0316P	38	30	00	01	-080	04
NAS1149D0463H	56	10	00	01	-030	26	NAS1149F0316P	38	30	00	01	-183	02
NAS1149D0463H	56	10	00	01	-080	26	NAS1149F0316P	38	30	00	01	-186	02
NAS1149D0463H	56	10	00	01	-098	23	NAS1149F0316P	52	30	00	02	-092	02
NAS1149D0463J	32	30	00	02	-003	02	NAS1149F0332P	21	10	00	01	-021	01
NAS1149D0463J	32	30	00	02	-012	02	NAS1149F0332P	21	10	00	01	-026	02
NAS1149D0463J	32	30	01	01	-002	01	NAS1149F0332P	21	10	00	01	-030	02
NAS1149D0463K	27	20	01	01	-095	11	NAS1149F0332P	21	10	00	01	-039	02
NAS1149D0463K	27	20	01	01	-096	12	NAS1149F0332P	21	20	01	01	-007	16
NAS1149D0463K	32	30	01	02	-025	02	NAS1149F0332P	21	20	01	01	-017	01
NAS1149D0516J	32	50	00	01	-021	01	NAS1149F0332P	21	50	01	01	-004	04
NAS1149D0632K	27	20	01	01	-039	01	NAS1149F0332P	21	50	01	02	-003	04
NAS1149D0716K	28	20	00	01	-085	02	NAS1149F0332P	21	60	00	01	-003	04
NAS1149D0716K	32	30	01	03	-005	01	NAS1149F0332P	22	10	00	01	-005	04
NAS1149D0716K	32	30	01	04	-007	07	NAS1149F0332P	22	10	00	01	-025	04
NAS1149D0716K	32	30	02	01	-013	01	NAS1149F0332P	22	10	00	01	-091A	01
NAS1149D0716K	32	41	00	01	-004	06	NAS1149F0332P	24	20	00	02	-003	04
NAS1149D0716K	32	41	00	01	-095	02	NAS1149F0332P	24	30	00	01	-004	04
NAS1149D0732K	32	30	01	04	-078	01	NAS1149F0332P	24	30	00	01	-012	04
NAS1149D0732K	32	41	01	01	-028	01	NAS1149F0332P	24	40	00	01	-013	02
NAS1149D0763J	32	41	00	05	-089	09	NAS1149F0332P	24	50	02	02	-003	04
NAS1149D0763J	36	10	00	01	-186	02	NAS1149F0332P	24	50	02	02	-026	04
NAS1149D0763K	32	41	00	01	-050	01	NAS1149F0332P	25	20	05	01	-003	04
NAS1149D0763K	32	41	00	05	-008	01	NAS1149F0332P	25	20	05	01	-034	06
NAS1149D0916K	32	41	00	02	-023	02	NAS1149F0332P	25	20	05	01	-081	02
NAS1149D0916K	53	20	00	01	-163	01	NAS1149F0332P	25	20	05	01	-155	04
NAS1149D0963H	29	10	00	01	-248	01	NAS1149F0332P	25	20	05	01	-166	02
NAS1149D0963J	32	41	00	04	-014	08	NAS1149F0332P	25	20	05	01	-237	04
NAS1149D0963K	21	50	00	01	-024	01	NAS1149F0332P	25	20	05	01	-395	06
NAS1149D0963K	32	30	01	04	-037	02	NAS1149F0332P	25	20	05	01	-395A	01
NAS1149D0963K	32	41	00	01	-104	02	NAS1149F0332P	25	20	05	01	-410	02
NAS1149D0963K	32	41	00	01	-152	02	NAS1149F0332P	25	21	00	02	-016	04
NAS1149D0963K	38	30	00	01	-155	04	NAS1149F0332P	25	21	00	03	-005	02
NAS1149D1063J	32	30	00	02	-102	03	NAS1149F0332P	25	21	00	03	-011	01
NAS1149D1490H	29	10	00	01	-238	01	NAS1149F0332P	25	21	00	03	-014	02
NAS1149D1490J	29	10	00	01	-170	01	NAS1149F0332P	25	21	00	03	-021	01
NAS1149D1490K	21	50	00	01	-020	01	NAS1149F0332P	25	21	00	03	-024	02
NAS1149D1490K	32	41	02	01	-003	01	NAS1149F0332P	25	21	00	03	-029	03
NAS1149D1790J	29	10	00	01	-173	01	NAS1149F0332P	25	21	00	03	-033	03
NAS1149DN316K	25	10	02	02	-090	12	NAS1149F0332P	25	21	00	03	-038	04

CESSNA®  
**MODEL 525 (SERIALS -0685 AND -0800 AND ON)**  
 ILLUSTRATED PARTS CATALOG

PART NUMBER	CH	SEC	SUBJ	FIG	ITEM	REQ	PART NUMBER	CH	SEC	SUBJ	FIG	ITEM	REQ
NAS1149F0332P	25-21-00-04				-017	01	NAS1149F0332P	30-40-00-03				-107	02
NAS1149F0332P	25-21-01-02				-006	02	NAS1149F0332P	30-40-00-03				-117	04
NAS1149F0332P	25-21-01-02				-100	01	NAS1149F0332P	32-30-00-02				-178	03
NAS1149F0332P	25-22-00-01				-048	04	NAS1149F0332P	32-30-00-03				-013	01
NAS1149F0332P	25-26-00-01				-007	08	NAS1149F0332P	32-30-00-03				-026	03
NAS1149F0332P	25-26-00-01				-033	01	NAS1149F0332P	32-30-00-03				-087	01
NAS1149F0332P	25-26-00-01				-037	01	NAS1149F0332P	32-30-00-04				-023	04
NAS1149F0332P	25-26-00-01				-046	01	NAS1149F0332P	32-30-00-05				-009	02
NAS1149F0332P	25-26-00-01				-052	01	NAS1149F0332P	32-30-00-06				-025	02
NAS1149F0332P	25-26-00-01				-078	06	NAS1149F0332P	32-30-00-06				-040	02
NAS1149F0332P	25-26-00-01				-089	03	NAS1149F0332P	32-30-01-02				-004	08
NAS1149F0332P	25-30-00-03				-006	01	NAS1149F0332P	32-30-01-03				-016	02
NAS1149F0332P	25-30-00-03				-016	01	NAS1149F0332P	32-30-01-03				-022	02
NAS1149F0332P	25-30-00-03				-102	02	NAS1149F0332P	32-30-01-04				-030	02
NAS1149F0332P	27-10-00-01				-015	01	NAS1149F0332P	32-30-01-04				-034	02
NAS1149F0332P	27-10-00-01				-019	01	NAS1149F0332P	32-30-01-04				-046	01
NAS1149F0332P	27-10-00-01				-080	01	NAS1149F0332P	32-41-00-01				-011	01
NAS1149F0332P	27-10-01-01				-028	02	NAS1149F0332P	32-41-00-01				-055	01
NAS1149F0332P	27-10-02-01				-021	01	NAS1149F0332P	32-41-00-01				-162	03
NAS1149F0332P	27-10-02-01				-043	02	NAS1149F0332P	32-41-00-02				-006	01
NAS1149F0332P	27-10-02-02				-022	04	NAS1149F0332P	32-41-00-03				-155	06
NAS1149F0332P	27-10-02-03				-015	01	NAS1149F0332P	32-41-00-05				-013	01
NAS1149F0332P	27-10-02-03				-023	01	NAS1149F0332P	32-41-00-05				-017	01
NAS1149F0332P	27-10-02-03				-030	01	NAS1149F0332P	32-50-00-01				-039	03
NAS1149F0332P	27-10-02-03				-038	01	NAS1149F0332P	32-70-00-02				-006	04
NAS1149F0332P	27-20-00-02				-152	02	NAS1149F0332P	35-00-00-01				-017	08
NAS1149F0332P	27-20-02-01				-010	01	NAS1149F0332P	35-00-00-01				-045	01
NAS1149F0332P	27-20-02-01				-016	01	NAS1149F0332P	35-00-00-01				-083	01
NAS1149F0332P	27-20-02-01				-087	02	NAS1149F0332P	36-10-00-01				-007	02
NAS1149F0332P	27-20-02-01				-110	02	NAS1149F0332P	36-10-00-01				-018	10
NAS1149F0332P	27-30-00-01				-082	02	NAS1149F0332P	36-10-00-01				-050	05
NAS1149F0332P	27-30-00-02				-019	02	NAS1149F0332P	38-30-00-01				-003	04
NAS1149F0332P	27-30-00-02				-028	01	NAS1149F0332P	38-30-00-01				-081	12
NAS1149F0332P	27-30-02-01				-022	02	NAS1149F0332P	38-30-00-01				-110	04
NAS1149F0332P	27-30-02-01				-032	04	NAS1149F0332P	38-30-00-01				-114	02
NAS1149F0332P	27-30-02-01				-160	02	NAS1149F0332P	38-30-00-01				-122	08
NAS1149F0332P	27-30-02-02				-015	01	NAS1149F0332P	38-30-00-01				-170	06
NAS1149F0332P	27-30-02-02				-020	01	NAS1149F0332P	52-10-00-01				-011	01
NAS1149F0332P	27-30-02-02				-030	02	NAS1149F0332P	52-10-00-01				-081	02
NAS1149F0332P	27-50-00-01				-005	01	NAS1149F0332P	52-10-00-01				-091	01
NAS1149F0332P	27-50-00-01				-012	01	NAS1149F0332P	52-10-00-02				-044	04
NAS1149F0332P	27-50-00-01				-018	01	NAS1149F0332P	52-10-00-02				-094	02
NAS1149F0332P	27-50-00-01				-026	01	NAS1149F0332P	52-10-00-02				-100	02
NAS1149F0332P	27-50-00-01				-034	01	NAS1149F0332P	52-10-00-02				-156	03
NAS1149F0332P	27-50-00-02				-019	04	NAS1149F0332P	52-10-00-02				-166	03
NAS1149F0332P	27-50-00-02				-037	08	NAS1149F0332P	52-10-00-02				-176	06
NAS1149F0332P	27-50-00-02				-079	02	NAS1149F0332P	52-10-00-03				-081	01
NAS1149F0332P	27-50-01-01				-011	03	NAS1149F0332P	52-10-01-01				-005	02
NAS1149F0332P	27-50-01-01				-033	01	NAS1149F0332P	52-10-01-01				-009	01
NAS1149F0332P	27-50-01-01				-038	01	NAS1149F0332P	52-10-01-01				-014	01
NAS1149F0332P	28-20-00-02				-041	02	NAS1149F0332P	52-10-01-01				-020	02
NAS1149F0332P	29-10-00-01				-260	01	NAS1149F0332P	52-10-01-01				-029	01
NAS1149F0332P	30-10-00-01				-017	04	NAS1149F0332P	52-10-01-01				-034	02
NAS1149F0332P	30-10-00-01				-077	02	NAS1149F0332P	52-10-01-01				-045	02
NAS1149F0332P	30-10-00-01				-105	02	NAS1149F0332P	52-10-01-01				-079	01
NAS1149F0332P	30-20-00-01				-010	02	NAS1149F0332P	52-10-01-01				-084	02
NAS1149F0332P	30-40-00-01				-035	03	NAS1149F0332P	52-10-01-01				-092	01
NAS1149F0332P	30-40-00-01				-082	02	NAS1149F0332P	52-10-01-01				-100	02
NAS1149F0332P	30-40-00-01				-090	01	NAS1149F0332P	52-10-01-01				-108	01
NAS1149F0332P	30-40-00-01				-154	02	NAS1149F0332P	52-10-01-01				-152	02
NAS1149F0332P	30-40-00-03				-012	04	NAS1149F0332P	52-10-01-01				-161	02
NAS1149F0332P	30-40-00-03				-096	01	NAS1149F0332P	52-10-01-01				-166	01

CESSNA®  
**MODEL 525 (SERIALS -0685 AND -0800 AND ON)**  
 ILLUSTRATED PARTS CATALOG

PART NUMBER	CH	SEC	SUBJ	FIG	ITEM	REQ	PART NUMBER	CH	SEC	SUBJ	FIG	ITEM	REQ
NAS1149F0332P	52	-10	-01	-01	-174	02	NAS1149F0363P	30	-40	-00	-01	-025	06
NAS1149F0332P	52	-10	-01	-01	-181	02	NAS1149F0363P	30	-40	-00	-01	-036	03
NAS1149F0332P	52	-10	-01	-01	-199	01	NAS1149F0363P	30	-40	-00	-01	-091	01
NAS1149F0332P	52	-10	-01	-01	-204	02	NAS1149F0363P	30	-40	-00	-01	-101	01
NAS1149F0332P	52	-30	-00	-01	-030	02	NAS1149F0363P	32	-30	-00	-02	-009	01
NAS1149F0332P	52	-30	-00	-01	-090	02	NAS1149F0363P	32	-30	-00	-03	-051	01
NAS1149F0332P	52	-30	-00	-01	-093	02	NAS1149F0363P	32	-30	-00	-03	-159	01
NAS1149F0332P	52	-30	-00	-01	-098	AR	NAS1149F0363P	32	-30	-00	-04	-005	01
NAS1149F0332P	52	-30	-00	-01	-104	02	NAS1149F0363P	32	-30	-00	-04	-017	01
NAS1149F0332P	52	-30	-00	-02	-086	02	NAS1149F0363P	32	-30	-00	-05	-025	01
NAS1149F0332P	52	-30	-00	-02	-102	01	NAS1149F0363P	32	-30	-00	-05	-029	01
NAS1149F0332P	52	-40	-00	-01	-003	04	NAS1149F0363P	32	-30	-00	-06	-003	03
NAS1149F0332P	52	-40	-00	-01	-023	03	NAS1149F0363P	32	-30	-00	-06	-011	02
NAS1149F0332P	52	-40	-00	-01	-029	04	NAS1149F0363P	32	-30	-00	-06	-016	01
NAS1149F0332P	52	-60	-00	-02	-019	01	NAS1149F0363P	32	-30	-00	-06	-030	01
NAS1149F0332P	52	-60	-00	-02	-046	01	NAS1149F0363P	32	-30	-00	-06	-039	02
NAS1149F0332P	52	-80	-00	-01	-005	02	NAS1149F0363P	32	-30	-01	-02	-005	02
NAS1149F0332P	52	-80	-00	-01	-018	02	NAS1149F0363P	32	-30	-01	-03	-033	01
NAS1149F0332P	52	-80	-00	-01	-027	02	NAS1149F0363P	32	-30	-01	-03	-038	01
NAS1149F0332P	53	-10	-00	-04	-019	04	NAS1149F0363P	32	-30	-01	-04	-017	01
NAS1149F0332P	53	-10	-00	-04	-045	02	NAS1149F0363P	32	-30	-01	-04	-098	01
NAS1149F0332P	53	-20	-00	-01	-045	04	NAS1149F0363P	32	-30	-01	-04	-102	01
NAS1149F0332P	53	-21	-00	-05	-009	29	NAS1149F0363P	32	-41	-00	-01	-022	04
NAS1149F0332P	55	-20	-00	-01	-040	02	NAS1149F0363P	32	-41	-00	-01	-044	NP
NAS1149F0332P	55	-20	-00	-01	-184	02	NAS1149F0363P	32	-41	-00	-01	-167	02
NAS1149F0332P	55	-30	-01	-01	-098	02	NAS1149F0363P	32	-41	-00	-01	-182	01
NAS1149F0332P	55	-40	-00	-01	-034	01	NAS1149F0363P	32	-41	-01	-01	-017	02
NAS1149F0332P	55	-40	-00	-01	-099	02	NAS1149F0363P	32	-50	-00	-01	-003	AR
NAS1149F0332P	56	-10	-01	-01	-007	10	NAS1149F0363P	33	-10	-00	-03	-003	02
NAS1149F0332P	71	-60	-00	-01	-088	01	NAS1149F0363P	34	-11	-00	-01	-011	01
NAS1149F0332P	76	-10	-01	-01	-095	02	NAS1149F0363P	35	-00	-00	-01	-040	01
NAS1149F0332P	76	-10	-01	-02	-044	01	NAS1149F0363P	35	-00	-00	-01	-044	01
NAS1149F0332P	76	-10	-01	-02	-107	01	NAS1149F0363P	52	-30	-00	-01	-099	AR
NAS1149F0332P	76	-10	-01	-03	-005	01	NAS1149F0363P	52	-30	-00	-02	-083	02
NAS1149F0332P	76	-10	-01	-03	-027	05	NAS1149F0363P	52	-60	-00	-01	-007	01
NAS1149F0363P	21	-10	-00	-01	-022	01	NAS1149F0363P	52	-60	-00	-02	-020	01
NAS1149F0363P	21	-20	-01	-02	-013	06	NAS1149F0363P	52	-80	-00	-01	-088	04
NAS1149F0363P	21	-21	-00	-01	-024	03	NAS1149F0363P	52	-80	-00	-01	-099	01
NAS1149F0363P	21	-30	-00	-01	-013	06	NAS1149F0363P	53	-10	-00	-01	-155	07
NAS1149F0363P	21	-50	-01	-01	-025	01	NAS1149F0363P	53	-10	-00	-01	-167	04
NAS1149F0363P	21	-50	-02	-01	-092	02	NAS1149F0363P	53	-20	-00	-01	-004	01
NAS1149F0363P	22	-10	-00	-01	-083	04	NAS1149F0363P	53	-21	-00	-01	-079	04
NAS1149F0363P	24	-30	-01	-01	-092	01	NAS1149F0363P	55	-20	-00	-01	-003	02
NAS1149F0363P	25	-11	-00	-01	-027	02	NAS1149F0363P	55	-30	-01	-01	-082	06
NAS1149F0363P	25	-20	-02	-02	-110	02	NAS1149F0363P	55	-30	-01	-01	-092	10
NAS1149F0363P	25	-20	-05	-01	-029	02	NAS1149F0363P	55	-30	-01	-01	-099	02
NAS1149F0363P	25	-20	-05	-01	-321	03	NAS1149F0363P	56	-10	-01	-01	-006	21
NAS1149F0363P	25	-30	-00	-02	-005	05	NAS1149F0363P	71	-60	-00	-01	-089	02
NAS1149F0363P	27	-10	-00	-01	-081	01	NAS1149F0363P	76	-10	-01	-01	-096	01
NAS1149F0363P	27	-10	-00	-01	-103	01	NAS1149F0363P	76	-10	-01	-02	-100	01
NAS1149F0363P	27	-10	-02	-01	-044	02	NAS1149F0416P	21	-21	-00	-01	-023	01
NAS1149F0363P	27	-30	-00	-02	-020	02	NAS1149F0416P	24	-50	-02	-05	-006	11
NAS1149F0363P	27	-30	-00	-02	-027	17	NAS1149F0416P	24	-50	-02	-05	-094	02
NAS1149F0363P	27	-30	-02	-01	-033	04	NAS1149F0416P	25	-20	-05	-01	-101	08
NAS1149F0363P	27	-30	-02	-02	-004	AR	NAS1149F0416P	27	-10	-01	-01	-004	04
NAS1149F0363P	27	-30	-02	-02	-024	01	NAS1149F0416P	27	-20	-02	-01	-099	01
NAS1149F0363P	27	-31	-00	-01	-004	02	NAS1149F0416P	27	-30	-00	-01	-014	02
NAS1149F0363P	27	-31	-00	-01	-008	03	NAS1149F0416P	27	-30	-02	-02	-085	02
NAS1149F0363P	27	-70	-00	-01	-093	02	NAS1149F0416P	27	-30	-02	-02	-095	02
NAS1149F0363P	27	-70	-00	-01	-165	03	NAS1149F0416P	32	-30	-00	-01	-016	06
NAS1149F0363P	28	-20	-00	-02	-029	04	NAS1149F0416P	52	-60	-00	-01	-078	02
NAS1149F0363P	30	-40	-00	-01	-005	02	NAS1149F0432P	21	-21	-00	-03	-018	02



CESSNA®  
**MODEL 525 (SERIALS -0685 AND -0800 AND ON)**  
 ILLUSTRATED PARTS CATALOG

PART NUMBER	CH SEC SUBJ FIG	ITEM	REQ	PART NUMBER	CH SEC SUBJ FIG	ITEM	REQ
NAS1149F0432P	21-21-00-03	-031	02	NAS1149F0463P	27-20-00-02	-024	01
NAS1149F0432P	25-20-05-01	-007	02	NAS1149F0463P	27-20-00-02	-101	01
NAS1149F0432P	25-20-05-01	-015	02	NAS1149F0463P	27-20-00-02	-161	01
NAS1149F0432P	25-20-05-01	-111	02	NAS1149F0463P	27-20-00-02	-174	01
NAS1149F0432P	25-20-05-01	-116	04	NAS1149F0463P	27-20-02-01	-032	01
NAS1149F0432P	25-20-05-01	-227	18	NAS1149F0463P	27-20-02-01	-080	01
NAS1149F0432P	25-20-05-01	-232	02	NAS1149F0463P	27-20-02-02	-005	01
NAS1149F0432P	25-20-05-01	-238	04	NAS1149F0463P	27-30-00-01	-023	01
NAS1149F0432P	25-26-00-01	-005	04	NAS1149F0463P	27-30-00-01	-033	01
NAS1149F0432P	26-20-00-01	-003	03	NAS1149F0463P	27-30-00-01	-088	01
NAS1149F0432P	27-10-00-01	-011	01	NAS1149F0463P	27-30-00-01	-103	01
NAS1149F0432P	27-10-00-01	-023	01	NAS1149F0463P	27-30-00-02	-047	01
NAS1149F0432P	27-10-00-03	-005	01	NAS1149F0463P	27-30-01-01	-153	06
NAS1149F0432P	27-10-00-03	-016	01	NAS1149F0463P	27-30-02-02	-080	01
NAS1149F0432P	27-10-00-03	-024	01	NAS1149F0463P	27-50-00-02	-108	01
NAS1149F0432P	27-10-02-03	-008	01	NAS1149F0463P	27-60-00-01	-022	01
NAS1149F0432P	27-30-00-02	-036	02	NAS1149F0463P	29-10-00-02	-039B	02
NAS1149F0432P	27-30-02-01	-005	01	NAS1149F0463P	29-10-00-02	-042B	02
NAS1149F0432P	27-50-00-02	-107	01	NAS1149F0463P	32-30-00-03	-028	01
NAS1149F0432P	27-50-01-01	-118	02	NAS1149F0463P	32-30-00-03	-043	02
NAS1149F0432P	27-60-00-01	-023	01	NAS1149F0463P	32-30-00-03	-050	01
NAS1149F0432P	27-60-00-02	-114	02	NAS1149F0463P	32-30-00-03	-091	02
NAS1149F0432P	27-70-00-01	-022B	01	NAS1149F0463P	32-50-00-01	-007	AR
NAS1149F0432P	27-70-00-01	-079	01	NAS1149F0463P	32-50-00-01	-016	04
NAS1149F0432P	27-70-00-01	-084	01	NAS1149F0463P	32-50-00-01	-103	AR
NAS1149F0432P	27-70-00-01	-089	01	NAS1149F0463P	38-30-00-01	-093	01
NAS1149F0432P	27-70-00-01	-156	01	NAS1149F0463P	52-10-00-02	-106	04
NAS1149F0432P	30-40-00-01	-029	01	NAS1149F0463P	52-60-00-02	-025	01
NAS1149F0432P	32-20-00-01	-016	04	NAS1149F0463P	53-10-00-04	-024	02
NAS1149F0432P	32-30-00-03	-019	01	NAS1149F0463P	55-20-00-01	-008	05
NAS1149F0432P	32-30-00-03	-029	01	NAS1149F0463P	55-30-00-01	-006	08
NAS1149F0432P	32-30-00-03	-103	01	NAS1149F0463P	55-40-00-01	-012	06
NAS1149F0432P	32-30-00-03	-172	01	NAS1149F0463P	57-50-01-02	-011	03
NAS1149F0432P	32-30-00-04	-033	01	NAS1149F0463P	57-60-00-02	-094	03
NAS1149F0432P	32-30-00-05	-014	01	NAS1149F0463P	76-10-01-02	-038	01
NAS1149F0432P	32-30-00-05	-020	01	NAS1149F0516P	24-50-02-02	-089	38
NAS1149F0432P	32-30-01-02	-015	02	NAS1149F0516P	24-50-02-05	-007	04
NAS1149F0432P	32-30-01-02	-032	03	NAS1149F0516P	24-50-02-05	-095	02
NAS1149F0432P	32-30-01-04	-011	02	NAS1149F0516P	24-50-04-01	-077	01
NAS1149F0432P	32-30-02-01	-043	02	NAS1149F0516P	24-50-04-01	-093	02
NAS1149F0432P	32-50-00-01	-082	02	NAS1149F0516P	24-50-04-01	-101	01
NAS1149F0432P	32-50-00-01	-156	AR	NAS1149F0532P	27-30-02-02	-041	01
NAS1149F0432P	38-30-00-01	-096	04	NAS1149F0532P	27-50-00-02	-004	01
NAS1149F0432P	38-30-00-01	-101	06	NAS1149F0532P	27-50-00-02	-010	01
NAS1149F0432P	38-30-00-01	-118	02	NAS1149F0532P	27-50-00-02	-014	01
NAS1149F0432P	52-10-00-02	-107	02	NAS1149F0532P	32-40-00-02	-006	01
NAS1149F0432P	52-60-00-01	-016	04	NAS1149F0532P	32-50-00-01	-152	AR
NAS1149F0432P	52-60-00-01	-026	01	NAS1149F0563P	27-30-01-01	-095	01
NAS1149F0432P	52-60-00-01	-114	04	NAS1149F0563P	27-50-00-02	-023	01
NAS1149F0432P	52-60-00-02	-003	02	NAS1149F0563P	32-50-00-01	-153	AR
NAS1149F0432P	52-60-00-02	-026	01	NAS1149F0563P	52-30-00-01	-109	01
NAS1149F0432P	53-10-01-01	-004	08	NAS1149F0563P	52-30-00-02	-027	04
NAS1149F0432P	53-20-00-01	-159	04	NAS1149F0563P	52-30-00-02	-108	01
NAS1149F0432P	55-40-00-01	-003	01	NAS1149F0563P	55-30-00-01	-007	12
NAS1149F0463P	24-20-00-01	-004	04	NAS1149F0616P	24-50-02-02	-013	01
NAS1149F0463P	25-20-02-02	-096A	04	NAS1149F0616P	24-50-02-02	-104	07
NAS1149F0463P	25-20-02-02	-096B	05	NAS1149F0616P	24-50-02-05	-116	01
NAS1149F0463P	27-10-00-01	-111	02	NAS1149F0616P	24-50-04-01	-094	02
NAS1149F0463P	27-10-00-03	-032	01	NAS1149F0616P	53-40-00-03	-154	AR
NAS1149F0463P	27-10-00-03	-047	01	NAS1149F0616P	53-40-00-03	-229	AR
NAS1149F0463P	27-10-00-04	-008	01	NAS1149F0632P	24-50-04-01	-009	01
NAS1149F0463P	27-10-00-04	-035	01	NAS1149F0632P	27-70-00-01	-080	01

CESSNA®  
**MODEL 525 (SERIALS -0685 AND -0800 AND ON)**  
 ILLUSTRATED PARTS CATALOG

PART NUMBER	CH	SEC	SUBJ	FIG	ITEM	REQ	PART NUMBER	CH	SEC	SUBJ	FIG	ITEM	REQ
NAS1149F0632P	27	70	00	01	-085	01	NAS1149FN616P	25	20	00	02	-030	02
NAS1149F0632P	27	70	00	01	-090	01	NAS1149FN616P	25	20	00	02	-033	06
NAS1149F0632P	32	30	00	02	-015	02	NAS1149FN616P	27	30	01	01	-032	04
NAS1149F0632P	32	50	00	01	-170	AR	NAS1149FN616P	31	30	01	01	-006	04
NAS1149F0632P	52	60	00	01	-020	02	NAS1149FN616P	52	80	00	01	-031	01
NAS1149F0632P	53	40	00	03	-153	AR	NAS1149FN632P	21	20	00	03	-007	04
NAS1149F0632P	53	40	00	03	-228	AR	NAS1149FN632P	24	50	02	02	-190	06
NAS1149F0632P	76	10	01	01	-079	02	NAS1149FN632P	24	50	02	02	-227	02
NAS1149F0663P	27	30	00	02	-003	03	NAS1149FN632P	25	20	05	01	-262	30
NAS1149F0663P	27	30	01	01	-161	01	NAS1149FN632P	25	21	00	02	-083	02
NAS1149F0663P	32	30	00	02	-014	02	NAS1149FN632P	27	30	01	01	-033	06
NAS1149F0663P	53	40	00	03	-152	08	NAS1149FN632P	76	10	01	02	-048	01
NAS1149F0663P	53	40	00	03	-227	08	NAS1149FN632P	76	10	01	02	-102	01
NAS1149F0663P	55	30	00	01	-008	10	NAS1149FN816P	22	10	00	01	-032	03
NAS1149F0663P	71	00	00	01	-006	01	NAS1149FN816P	24	50	01	01	-161	AR
NAS1149F0663P	71	20	00	01	-003	04	NAS1149FN816P	24	50	01	02	-163	AR
NAS1149F0716P	32	41	00	05	-021	01	NAS1149FN816P	24	50	02	03	-007	15
NAS1149F0732P	32	20	00	01	-003	04	NAS1149FN816P	24	50	02	05	-090	AR
NAS1149F0763P	32	20	00	01	-004	04	NAS1149FN816P	24	50	03	01	-003	04
NAS1149F0763P	55	10	00	01	-004	04	NAS1149FN816P	24	50	03	01	-006	04
NAS1149F0832P	21	10	00	01	-015	01	NAS1149FN816P	24	50	03	01	-010	04
NAS1149F0832P	27	10	00	01	-040	02	NAS1149FN816P	25	10	01	01	-004	04
NAS1149F0832P	32	30	00	02	-016	02	NAS1149FN816P	25	20	05	01	-182	01
NAS1149F0863P	29	10	00	01	-113	02	NAS1149FN816P	27	10	02	02	-037	03
NAS1149F0863P	32	30	00	02	-013	02	NAS1149FN816P	27	30	00	01	-005	01
NAS1149F0863P	71	00	00	01	-003	04	NAS1149FN816P	27	30	00	01	-078	01
NAS1149F0916K	32	30	01	03	-006	01	NAS1149FN816P	27	30	02	01	-082	03
NAS1149F0932P	28	20	00	02	-020	02	NAS1149FN816P	31	30	01	01	-003	04
NAS1149F0963P	29	10	00	01	-264	01	NAS1149FN816P	32	30	00	03	-081	03
NAS1149F0963P	34	11	00	02	-098	01	NAS1149FN816P	52	10	00	01	-105	06
NAS1149F1032P	31	30	01	01	-011	02	NAS1149FN816P	52	30	00	02	-096	02
NAS1149F1032P	34	44	01	01	-010	02	NAS1149FN816P	52	30	00	02	-113	01
NAS1149F1063P	57	00	00	01	-003	04	NAS1149FN816P	53	30	00	01	-015	01
NAS1149F1063P	57	00	00	01	-098	04	NAS1149FN816P	54	50	01	01	-029	01
NAS1149F1232P	27	20	01	01	-012	AR	NAS1149FN816P	76	10	01	02	-086	02
NAS1149F1232P	32	30	01	04	-090	01	NAS1149FN832P	21	21	00	02	-003	03
NAS1149F1290P	29	10	00	01	-245	01	NAS1149FN832P	22	10	00	01	-091	03
NAS1149F1290P	32	30	01	04	-094	01	NAS1149FN832P	24	40	00	01	-029	02
NAS1149F1490P	29	10	00	01	-082	04	NAS1149FN832P	24	50	02	02	-111	12
NAS1149F1732P	28	20	00	02	-023	04	NAS1149FN832P	24	50	02	02	-186	04
NAS1149F363P	25	21	01	02	-085	02	NAS1149FN832P	24	50	04	01	-031	02
NAS1149FN232P	32	41	00	01	-177	02	NAS1149FN832P	25	20	05	01	-026	02
NAS1149FN316P	76	10	01	02	-080	02	NAS1149FN832P	25	20	05	01	-041	01
NAS1149FN416P	24	40	00	01	-017	01	NAS1149FN832P	25	20	05	01	-325	06
NAS1149FN416P	24	50	02	02	-230	04	NAS1149FN832P	25	20	05	01	-329	02
NAS1149FN416P	24	50	02	02	-233	04	NAS1149FN832P	25	20	05	01	-338	06
NAS1149FN416P	25	20	02	02	-087A	02	NAS1149FN832P	25	20	05	01	-345	06
NAS1149FN416P	25	22	00	01	-009	02	NAS1149FN832P	27	10	00	01	-093	02
NAS1149FN416P	30	40	00	01	-174	03	NAS1149FN832P	27	10	00	01	-096	02
NAS1149FN416P	32	30	01	04	-014	01	NAS1149FN832P	27	10	02	01	-015	04
NAS1149FN416P	33	10	00	02	-003	02	NAS1149FN832P	27	10	02	02	-003	08
NAS1149FN416P	38	30	00	01	-179	04	NAS1149FN832P	27	10	02	03	-003	02
NAS1149FN416P	76	10	01	02	-094	01	NAS1149FN832P	27	20	02	01	-022	01
NAS1149FN432P	25	20	00	01	-027	04	NAS1149FN832P	27	30	02	01	-010	02
NAS1149FN432P	27	50	00	01	-038	01	NAS1149FN832P	27	30	02	02	-029	02
NAS1149FN432P	32	10	00	01	-011	02	NAS1149FN832P	30	30	00	01	-006	02
NAS1149FN542P	32	30	00	02	-006	01	NAS1149FN832P	30	30	00	01	-013	02
NAS1149FN616P	21	20	00	03	-078	04	NAS1149FN832P	30	40	00	01	-109	02
NAS1149FN616P	23	10	02	02	-009	02	NAS1149FN832P	32	30	00	06	-021	01
NAS1149FN616P	24	50	03	01	-013	16	NAS1149FN832P	35	30	00	02	-012	05
NAS1149FN616P	25	20	00	02	-008	02	NAS1149FN832P	38	30	00	01	-021	04
NAS1149FN616P	25	20	00	02	-016	03	NAS1149FN832P	52	40	00	01	-011	04

CESSNA®  
**MODEL 525 (SERIALS -0685 AND -0800 AND ON)**  
 ILLUSTRATED PARTS CATALOG

PART NUMBER	CH SEC SUBJ FIG	ITEM	REQ	PART NUMBER	CH SEC SUBJ FIG	ITEM	REQ
NAS1149FN832P	52-80-00-01	-123	06	NAS1352-08-20P	25-21-00-01	-013	02
NAS1149FN832P	57-50-01-02	-004	02	NAS1352-08-20P	25-21-00-01	-015	02
NAS1149FN832P	57-70-00-01	-017	02	NAS1352-08-8	27-30-02-01	-009	02
NAS1149FN832P	57-70-00-01	-031	02	NAS1352C3-10	29-10-00-02	-090	04
NAS1160-3-7	27-30-02-01	-003	01	NAS1352C3-10	29-10-00-02	-102	04
NAS1169-6L	25-20-05-01	-389	01	NAS1352C3-10	29-10-00-02	-105	04
NAS1169-6L	25-20-05-01	-451	01	NAS1401-4-3	32-20-00-01	-011	02
NAS1169C8	21-21-00-03	-046	04	NAS1423-5	21-20-01-02	-016	04
NAS1169C8	21-21-00-03	-047	06	NAS1423-5	21-50-01-01	-029	02
NAS1169C8	25-10-02-03	-077	08	NAS1423-5	21-50-02-01	-091	02
NAS1169C8	25-20-02-02	-007	04	NAS1423C8	52-60-00-01	-079	01
NAS1169C8	25-20-02-02	-008	06	NAS144-9	27-60-00-01	-027	04
NAS1169C8	53-30-00-04	-003	52	NAS1473A08	25-70-00-02	-020	01
NAS1189-08P7WL	52-20-00-01	-030	01	NAS1473A08	34-30-10-01	-011	01
NAS1191E06P7	76-10-01-02	-032	03	NAS1473A08	34-61-05-01	-022	04
NAS119F0332P	22-10-00-01	-032A	01	NAS1473A08K	53-11-00-02	-024	04
NAS1203-5D	27-70-00-01	-036	01	NAS1473A08K	53-11-00-02	-099	03
NAS1223-1L	21-10-00-01	-038	02	NAS1473A08K	53-11-00-02A	-095	03
NAS1223-1L	30-40-00-03	-106	02	NAS1473A3	23-10-01-01	-011	04
NAS1291-04	23-10-00-01	-044	01	NAS1473A3	34-25-00-01	-012	08
NAS1291-04	76-10-01-02	-081A	02	NAS1473A3	34-30-10-01	-004	04
NAS1291-04	76-10-01-02	-095A	01	NAS1473A3	34-40-00-01	-009	04
NAS1291-06	27-70-00-01	-029	AR	NAS1473A3	53-20-00-02	-082C	01
NAS1291-3	52-10-00-02	-158	03	NAS1473A3K	32-70-00-01	-005	20
NAS1291-3	52-10-00-02	-170	02	NAS1473A3K	53-10-00-04	-053	03
NAS1291-3	53-20-00-01	-030A	10	NAS1473A3K	57-20-02-01	-009	06
NAS1291-3	56-10-00-01	-085	18	NAS1473C3	34-44-01-01	-003	04
NAS1291-3	56-10-00-01	-105	AR	NAS1473C3	34-46-00-02	-011	04
NAS1291-4	56-10-00-01	-083	26	NAS1473C3K	34-51-00-01	-004	04
NAS1291-4	56-10-00-01	-102	23	NAS1473C3N	34-44-00-02	-008	04
NAS1291C06M	27-20-02-02	-010	01	NAS1474A06	25-10-00-01	-014	03
NAS1291C3	76-10-01-02	-108A	01	NAS1474A06	25-10-00-02	-015	03
NAS1291X04	25-21-00-02	-095A	02	NAS1474A06	53-20-00-02	-157	04
NAS1291X04	53-11-00-02	-008	07	NAS1474A08	24-50-02-03	-020	02
NAS1291X3	53-10-00-01	-157	07	NAS1474A3	28-10-00-02	-003	12
NAS1291X3	53-10-00-01	-162	04	NAS1474A3	53-20-00-01	-051	06
NAS1291X3	53-10-00-01	-169	04	NAS1474A3	53-20-00-01	-166	03
NAS1291X3	76-10-01-01	-017A	02	NAS1474A3	53-20-00-02	-158	04
NAS1291X4	24-50-02-02	-037A	02	NAS1474A3	57-20-01-01	-003	16
NAS1291X5	24-50-02-02	-024A	AR	NAS1474A3	57-20-01-01	-006	AR
NAS1291X5	24-50-02-02	-038A	03	NAS1474A3	57-20-01-01	-014	14
NAS1300-4T8	25-20-05-01	-246	04	NAS1474C08	23-16-00-01	-031	01
NAS1329A06-75	25-20-00-03	-009	02	NAS1474C08	33-40-00-04	-007	05
NAS1329A3K180	25-20-00-01	-015	02	NAS1474C3	23-10-01-01	-015	04
NAS1329A3K80	25-26-00-02	-003	05	NAS1474C3	34-50-00-01	-005	04
NAS1329A3K80	25-30-00-03	-113	03	NAS1474C3	34-51-00-02	-003	04
NAS1329A3K80	26-20-01-01	-008	06	NAS1515D4L	21-50-02-01	-004	04
NAS1329H08K75L	57-30-00-02	-004C	02	NAS1515D4L	52-10-00-01	-008	01
NAS1329H3K130L	52-20-00-01	-044	02	NAS1515M3L	52-10-01-01	-004	04
NAS1329H3K80L	52-10-00-03	-027	04	NAS1515M3L	52-10-01-01	-010	02
NAS1329H3K80L	53-20-03-01	-275	04	NAS1515M3L	52-10-01-01	-015	02
NAS1329H4K140L	52-10-00-02	-089	10	NAS1515M3L	52-10-01-01	-030	02
NAS1329H4K200L	52-10-00-02	-078	02	NAS1515M3L	52-10-01-01	-078	02
NAS1329H4K200L	52-10-00-02	-090	06	NAS1515M3L	52-10-01-01	-093	02
NAS1351-4-12	34-44-00-03	-003	04	NAS1515M3L	52-10-01-01	-109	02
NAS1352-04-6	25-20-02-02	-013	02	NAS1515M3L	52-10-01-01	-162	02
NAS1352-04-6	25-20-02-02	-087	02	NAS1515M3L	52-10-01-01	-167	02
NAS1352-06-10	27-10-01-01	-015	02	NAS1515M3L	52-10-01-01	-173	04
NAS1352-06-10	27-10-01-01	-018	02	NAS1515M3L	52-10-01-01	-180	04
NAS1352-06-14	34-16-00-01	-002	04	NAS1515M3L	52-10-01-01	-205	02
NAS1352-06-8	27-30-02-01	-012	01	NAS1523AA7B	34-11-00-01	-034	01
NAS1352-06H10P	76-10-01-02	-047	01	NAS1523AA9B	34-11-00-02	-011	01

CESSNA®  
**MODEL 525 (SERIALS -0685 AND -0800 AND ON)**  
 ILLUSTRATED PARTS CATALOG

PART NUMBER	CH	SEC	SUBJ	FIG	ITEM	REQ	PART NUMBER	CH	SEC	SUBJ	FIG	ITEM	REQ
NAS1523AA9B	34	11	00	02	-094	01	NAS1801-4-8	24	20	00	03	-003	04
NAS1523AA9R	28	40	01	01	-002	01	NAS1833-08-250M	24	20	00	01	-022	02
NAS1564D10-6	29	10	00	01	-250	01	NAS1833-08-250M	24	20	00	02	-020	02
NAS1564D10-6	36	10	00	03	-087	01	NAS1834-08-250	25	10	01	01	-006	04
NAS1564D6-4	21	50	00	01	-026	02	NAS1836-3-08	25	10	01	01	-007	04
NAS1564D6-4	29	10	00	01	-262	01	NAS1836C06-07	25	10	01	01	-008	03
NAS1564D6-4	32	30	00	02	-085	02	NAS1922-0050-3	24	30	01	01	-077	01
NAS1564D6-4	32	30	01	04	-040	01	NAS1922-0050-3	24	30	01	01	-086	02
NAS1564D6-4	36	10	00	03	-025	01	NAS1922-0125-1	21	21	00	02	-086	06
NAS1581C3R16	56	10	01	01	-005	11	NAS1922-0125-3	21	21	00	01	-037	01
NAS1581C3T2	57	30	01	01	-018	06	NAS1922-0125-3	21	50	02	01	-084	01
NAS1581C4T15	56	10	00	01	-029	02	NAS1922-0225-1	21	21	00	02	-082	12
NAS1581C4T16	56	10	00	01	-027	12	NAS1922-0275-1	21	20	00	01	-010	02
NAS1581C4T17	56	10	00	01	-028	12	NAS1922-0275-1	21	20	01	02	-076	02
NAS1581C4T17	56	10	00	01	-076	20	NAS1922-0275-1	36	10	00	01	-044	06
NAS1581C4T17	56	10	00	01	-088	22	NAS1922-0350-1	80	10	00	01	-004	04
NAS1581C4T18	56	10	00	01	-005	04	NAS1922-0825-1	21	50	02	01	-006	02
NAS1581C4T18	56	10	00	01	-017	32	NAS333CP50	76	10	01	01	-019	01
NAS1581C4T18	56	10	00	01	-077	06	NAS333CP6	32	30	00	04	-003	01
NAS1581C4T18	56	10	00	01	-089	01	NAS333CPA13	27	10	01	01	-027	02
NAS1611-007	32	30	02	01	-037	01	NAS333CPA6	32	70	00	01	-004	20
NAS1612-10	30	40	00	02	-028	01	NAS334C11	27	60	00	02	-113	01
NAS1612-4	32	30	02	01	-036	01	NAS334CP10-5	55	40	00	01	-015	04
NAS1612-4	36	10	00	03	-027	03	NAS334CP25	57	60	00	02	-093	03
NAS1612-8	30	40	00	02	-030	01	NAS354-4-190	27	70	00	01	-154	02
NAS1635-02-10	32	41	00	01	-176	02	NAS354-4-784	27	70	00	01	-097	01
NAS1635-02-12	76	10	01	02	-090	02	NAS424-4D	32	41	01	01	-023	01
NAS1635-02-14	27	50	00	02	-100	02	NAS427K10	27	10	00	03	-018	04
NAS1635-02-16	76	10	01	01	-104	02	NAS427K10	27	30	00	01	-015	01
NAS1635-02-18	27	50	00	02	-093	10	NAS427K10	27	30	00	01	-036	01
NAS1716C32K	24	20	00	03	-008	02	NAS427K10	27	30	02	02	-010	02
NAS1716D24T	30	40	00	03	-034	06	NAS427K11	27	10	00	03	-008	02
NAS1716D8K	32	30	01	04	-024	01	NAS427K11	27	20	00	02	-086	02
NAS1716D8K	32	30	01	04	-080	01	NAS427K11	27	20	00	02	-171	04
NAS1791A3-1	53	11	00	01	-031A	04	NAS427K11	27	30	02	02	-092	01
NAS1791A3-1	53	11	00	01A	-180A	04	NAS427K11	32	50	00	01	-047	02
NAS1791A3-1	53	20	01	01	-014A	01	NAS427K12	27	10	02	03	-027	01
NAS1791A3-1	53	20	01	01	-034A	03	NAS427K13	27	20	02	01	-007	01
NAS1791A3-1	53	20	03	01	-230	04	NAS427K13	27	30	02	02	-012	03
NAS1791A3-1	53	20	03	01	-231	02	NAS427K13	32	50	00	01	-028	01
NAS1791A3-1	53	20	03	01	-266	04	NAS427K14	27	10	02	03	-035	01
NAS1791A3-1	53	20	03	01	-268	02	NAS427K15	27	10	00	03	-029	02
NAS1791A3-1	53	20	04	01	-089	02	NAS427K15	27	20	00	02	-042	01
NAS1791A3-1	53	20	04	01	-130	02	NAS427K15	32	50	00	01	-029	01
NAS1791A3-1	53	21	00	02	-029	01	NAS427K16	32	50	00	01	-084	01
NAS1791A3-1	53	21	00	04	-026A	08	NAS427K17	27	20	02	01	-094	01
NAS1801-06-6	21	20	00	03	-003	06	NAS427K18	27	10	00	03	-044	02
NAS1801-06-6	25	21	00	02	-082	02	NAS427K18	27	10	00	04	-005	02
NAS1801-08-6	53	11	00	01	-002	03	NAS427K18	27	10	02	03	-005	01
NAS1801-08-6	53	11	00	01	-008	14	NAS427K18	27	20	00	02	-041	01
NAS1801-08-6	53	11	00	01	-017	14	NAS427K19	27	20	00	02	-078	01
NAS1801-08-6	53	11	00	01	-024	16	NAS427K19	27	30	00	01	-096	01
NAS1801-08-6	53	11	00	01	-076	06	NAS427K19	27	30	02	02	-097	01
NAS1801-08-6	53	11	00	01	-082	14	NAS427K24	27	20	02	01	-013	01
NAS1801-08-6	53	11	00	01A	-002	06	NAS427K27	27	20	00	02	-046	01
NAS1801-08-6	53	11	00	01A	-008	14	NAS427K27	27	20	00	02	-156	01
NAS1801-08-6	53	11	00	01A	-151	06	NAS427K27	27	30	00	01	-084	02
NAS1801-08-6	53	11	00	01A	-157	14	NAS427K28	27	20	02	01	-028	01
NAS1801-08-6	53	11	00	01A	-166	14	NAS427K30	27	20	00	02	-097	01
NAS1801-08-6	53	11	00	01A	-173	16	NAS427K30	27	30	02	02	-076	01
NAS1801-08-8	24	50	03	01	-005	04	NAS427K34	27	30	00	01	-020	01
NAS1801-3-8	34	61	05	01	-012	04	NAS427K50	27	20	02	01	-077	01

CESSNA®  
**MODEL 525 (SERIALS -0685 AND -0800 AND ON)**  
 ILLUSTRATED PARTS CATALOG

PART NUMBER	CH SEC SUBJ FIG	ITEM	REQ	PART NUMBER	CH SEC SUBJ FIG	ITEM	REQ
NAS427K7	27-50-00-01	-008	02	NAS43DD3-24FC	32-41-00-01	-054	01
NAS427K8	27-10-02-03	-012	03	NAS43DD3-24FC	32-41-00-03	-035	01
NAS427K9	27-10-00-01	-052	01	NAS43DD3-24FC	32-41-00-03	-049	01
NAS427K9	27-20-00-02	-012	03	NAS43DD3-24FC	76-10-01-01	-083	01
NAS427K9	27-30-02-02	-009	02	NAS43DD3-25FC	71-60-00-01	-085	03
NAS427K9	32-30-00-03	-100	02	NAS43DD3-27N	27-20-02-01	-017	01
NAS427K9	32-30-00-03	-176	08	NAS43DD3-28FC	27-50-01-01	-034	01
NAS427K9	32-30-00-05	-011	10	NAS43DD3-30FC	27-50-01-01	-093	01
NAS428-4A5	27-70-00-01	-178	02	NAS43DD3-30FC	32-30-00-02	-156	01
NAS428H4-14	27-10-00-02	-012	02	NAS43DD3-30FC	32-41-00-02	-013	01
NAS428H4A10	55-40-00-01	-006	02	NAS43DD3-30FC	34-11-00-02	-108	01
NAS428H4A12	55-40-00-01	-006A	02	NAS43DD3-30N	32-30-00-02	-157	01
NAS428H4A14	27-30-01-01	-174	02	NAS43DD3-32FC	32-41-00-01	-037	01
NAS428H4A7	27-30-00-02	-022	02	NAS43DD3-32FC	32-41-00-01	-045	02
NAS428K4A16	52-10-00-01	-096	01	NAS43DD3-32FC	32-41-00-02	-005	01
NAS42DD4-18N	52-10-01-01	-183	04	NAS43DD3-32FC	76-10-01-01	-020	02
NAS42DD4-7FC	23-10-00-01	-042	02	NAS43DD3-32N	32-30-00-03	-086	01
NAS42DD4A8FC	25-21-01-02	-087	02	NAS43DD3-35FC	25-21-00-02	-078	02
NAS42DD6-7FC	52-10-01-01	-153	02	NAS43DD3-35FC	76-10-01-01	-016	02
NAS42HT8-15	76-10-01-02	-037	01	NAS43DD3-36FC	30-40-00-01	-021	01
NAS43-3-10	27-70-00-01	-011	01	NAS43DD3-37FC	32-30-00-06	-029	01
NAS43DD1-19FC	25-21-01-02	-014	02	NAS43DD3-38FC	35-30-00-02	-011	05
NAS43DD1-19FC	25-21-01-02	-031	02	NAS43DD3-40FC	32-30-00-02	-081	01
NAS43DD1-7FC	21-21-00-01	-018	03	NAS43DD3-40FC	32-30-01-03	-032	01
NAS43DD3-100FC	27-50-00-02	-044	02	NAS43DD3-40N	32-30-00-02	-082	01
NAS43DD3-101FC	76-10-01-01	-080	01	NAS43DD3-41FC	24-50-04-01	-082	02
NAS43DD3-103FC	32-41-01-01	-016	01	NAS43DD3-42FC	76-10-01-01	-090	01
NAS43DD3-109FC	27-50-00-02	-043	02	NAS43DD3-43FC	27-60-00-02	-087	01
NAS43DD3-10FC	27-30-02-02	-006	01	NAS43DD3-43N	27-60-00-02	-088	01
NAS43DD3-11FC	34-11-00-02	-104	01	NAS43DD3-48FC	32-41-00-05	-119	02
NAS43DD3-125N	53-20-00-01	-026	01	NAS43DD3-48N	32-41-00-05	-120	02
NAS43DD3-128N	25-20-00-01	-014A	03	NAS43DD3-50FC	25-20-00-01	-014	03
NAS43DD3-12FC	23-30-01-01	-007	04	NAS43DD3-52FC	76-10-01-01	-022	02
NAS43DD3-12FC	76-10-01-01	-021	02	NAS43DD3-53FC	26-20-01-01	-007	06
NAS43DD3-14FC	29-10-00-01	-099	01	NAS43DD3-53FC	29-10-00-01	-119	01
NAS43DD3-15FC	29-10-00-01	-096	01	NAS43DD3-56FC	27-50-01-01	-039	01
NAS43DD3-164FC	76-10-01-01	-034	01	NAS43DD3-58FC	29-10-00-01	-118	01
NAS43DD3-167FC	32-30-00-06	-015	01	NAS43DD3-64FC	32-30-00-03	-049	01
NAS43DD3-167FC	32-30-00-06	-034	01	NAS43DD3-72FC	32-30-00-06	-020	01
NAS43DD3-16FC	29-10-00-01	-087	01	NAS43DD3-72FC	36-10-00-03	-021	01
NAS43DD3-16FC	29-10-00-01	-259	01	NAS43DD3-72N	36-10-00-03	-022	01
NAS43DD3-16FC	30-40-00-01	-009	01	NAS43DD3-74FC	32-41-00-05	-025	01
NAS43DD3-16FC	32-41-00-05	-116	02	NAS43DD3-74FC	76-10-01-01	-085	01
NAS43DD3-16N	32-30-02-01	-032	02	NAS43DD3-74N	32-41-00-05	-026	01
NAS43DD3-16N	32-41-00-05	-117	02	NAS43DD3-7FC	25-20-05-01	-173	08
NAS43DD3-18FC	32-41-00-05	-096A	01	NAS43DD3-84FC	76-10-01-01	-084	01
NAS43DD3-19FC	32-41-00-01	-038	01	NAS43DD3-8FC	25-20-05-01	-162	01
NAS43DD3-19FC	34-11-00-01	-010	01	NAS43DD3-93FC	27-10-02-01	-038	01
NAS43DD3-19FC	34-11-00-01	-032	01	NAS43DD3-93FC	27-20-02-01	-104	01
NAS43DD3-20FC	25-20-02-02	-111	02	NAS43DD3-93FC	27-30-02-01	-156	02
NAS43DD3-20FC	29-10-00-01	-024A	01	NAS43DD3-93N	27-30-02-01	-156A	02
NAS43DD3-20FC	29-10-00-01	-166	01	NAS43DD3-93N	35-00-00-01	-082	01
NAS43DD3-20FC	30-40-00-01	-158	01	NAS43DD4-29FC	27-20-00-02	-049	01
NAS43DD3-20N	25-21-00-04	-007	03	NAS43DD4-32FC	25-20-05-01	-110	02
NAS43DD3-21FC	29-10-00-01	-162	01	NAS43DD4-3FC	27-20-00-02	-050	01
NAS43DD3-22FC	32-30-01-03	-047	01	NAS43DD4-53FC	25-21-00-02	-043	AR
NAS43DD3-22FC	76-10-01-01	-089	01	NAS43DD4-5FC	21-21-00-01	-030	02
NAS43DD3-23FC	24-50-02-05	-113	02	NAS43DD5-136FC	25-21-00-02	-017	02
NAS43DD3-23FC	27-50-01-01	-097	01	NAS43DD6-29FC	27-30-01-01	-162	01
NAS43DD3-23FC	32-41-00-05	-096	01	NAS43HT3-12	32-30-00-03	-164	01
NAS43DD3-24FC	32-30-02-01	-054	01	NAS43HT3-19	27-30-02-02	-019	01
NAS43DD3-24FC	32-41-00-01	-010	01	NAS43HT3-26	52-30-00-01	-103	02

CESSNA®  
**MODEL 525 (SERIALS -0685 AND -0800 AND ON)**  
 ILLUSTRATED PARTS CATALOG

PART NUMBER	CH	SEC	SUBJ	FIG	ITEM	REQ	PART NUMBER	CH	SEC	SUBJ	FIG	ITEM	REQ
NAS43HT3-32	52	30	00	02	-101	01	NAS509L5	32	30	01	01	-013	01
NAS43HT3-34	35	30	00	02	-004	04	NAS509L6	27	50	00	02	-112	01
NAS43HT3-48	27	70	00	01	-031	01	NAS513-5	27	60	00	01	-013	AR
NAS43HT3-56	27	70	00	01	-166	01	NAS514P1032-10	53	20	04	01	-044	02
NAS43HT3-56	32	30	00	03	-165	01	NAS514P632-7	25	21	00	03	-042	03
NAS43HT4-17	27	20	01	01	-019	01	NAS514P832-8	53	11	00	01	-003	02
NAS43HT4-17	27	20	01	01	-047	01	NAS514P832-8	53	11	00	01	-077	02
NAS43HT4-17	27	20	01	01	-078	01	NAS514P832-8	53	11	00	01A	-003	02
NAS43HT4-17	52	60	00	02	-027	01	NAS514P832-8	53	11	00	01A	-152	02
NAS43HT4-18	27	10	00	03	-033	01	NAS517-3-4	53	10	00	01	-152	04
NAS43HT4-19	27	30	02	01	-004	01	NAS517-3-7	53	10	00	01	-153	03
NAS43HT4-19	52	60	00	01	-019	01	NAS517-5-20	32	50	00	01	-151	01
NAS43HT4-213	27	10	00	02	-007	01	NAS5320E3-P11	25	11	00	01	-002	02
NAS43HT4-25	52	60	00	01	-018	01	NAS549-10	52	30	00	02	-003	04
NAS43HT4-33	27	20	00	02	-160	01	NAS557-12A	28	10	00	01	-010	02
NAS43HT4-33	27	30	00	01	-087	01	NAS557-12A	34	11	00	01	-013	02
NAS43HT4-36	27	20	02	01	-031	01	NAS557-14A	34	11	00	02	-003	02
NAS43HT4-39	27	30	00	01	-013	01	NAS557-14A	34	11	00	02	-114	01
NAS43HT4-44	27	70	00	01	-021	01	NAS557-28C	53	20	03	01	-028	01
NAS43HT4-49	27	20	00	02	-100	01	NAS557-4A	30	40	00	02	-017	01
NAS43HT4-52	27	30	02	02	-079	01	NAS557-4A	32	30	02	01	-057	01
NAS43HT4-56	27	30	00	01	-024	01	NAS557-4C	32	41	00	05	-027	01
NAS43HT4-59	27	70	00	01	-158	02	NAS557-6A	32	41	01	01	-003	01
NAS43HT4-69	27	20	02	01	-081	01	NAS557-8A	57	50	00	01	-017	04
NAS43HT4-73	27	70	00	01	-157	02	NAS557-8A	57	50	00	01	-105	04
NAS43HT5-12	27	30	01	01	-077	02	NAS557-8C	27	10	00	04	-016	02
NAS43HT5-24	27	30	01	01	-078	01	NAS558P404-8	32	10	00	01	-006	02
NAS43HT5-25	27	30	01	01	-098	01	NAS561-2-6	25	22	00	01	-029	02
NAS43HT5-29	27	30	01	01	-096	01	NAS561-2-6	27	70	00	01	-151	12
NAS43HT5-45	27	30	01	01	-097	01	NAS561-3-18	32	30	00	01	-012	01
NAS43HT5-9	27	30	02	02	-040	01	NAS561-3-8	32	30	00	03	-010	01
NAS43HT9-56	27	70	00	01	-107	06	NAS561-4-10	32	30	00	01	-002	01
NAS464-4-12	76	10	01	02	-035	01	NAS561C4-10	25	11	00	01	-013	02
NAS464P3-11	32	30	01	02	-003	02	NAS561P3-5	76	10	01	01	-005	02
NAS464P3-52	32	30	01	02	-002	01	NAS561P3-6	27	10	02	02	-009	01
NAS464P3-8	27	10	02	01	-041	01	NAS561P3-6	76	10	01	03	-017	01
NAS464P3-8	27	20	02	01	-109	02	NAS561P3-8	27	10	02	02	-044	01
NAS464P3-8	27	30	02	01	-159	02	NAS561P4-15	52	10	01	02	-024	02
NAS464P3A3	53	10	00	01	-166	04	NAS561P4-16	52	10	01	02	-023	02
NAS464P4-10	32	30	01	02	-030	01	NAS561P6-12	52	10	01	01	-042	02
NAS464P4-38	32	20	00	01	-009	01	NAS561P6-12	52	10	01	01	-097	02
NAS464P4-41	27	70	00	01	-155	02	NAS561P6-12	52	10	01	01	-114	02
NAS464P4-5	27	70	00	01	-044	01	NAS561P6-32	32	10	00	01	-008	01
NAS464P4-5	27	70	00	01	-161	02	NAS561P6-36	32	10	00	01	-007	01
NAS464P4-8	32	30	01	02	-014	02	NAS566-35	71	20	00	01	-002	04
NAS464P4-8	32	30	01	02	-031	01	NAS601-26	21	20	00	03	-006	04
NAS464P5LA28	32	50	00	01	-173	01	NAS601-5	24	50	02	04	-099	02
NAS509-4	27	10	00	02	-013	04	NAS601-5	24	50	02	04	-152	02
NAS509-4	27	10	02	01	-049	01	NAS601-6	53	20	04	01	-107	02
NAS509-4	27	20	02	01	-115	01	NAS601-8	25	21	01	02	-082	01
NAS509-4	27	30	00	02	-023	02	NAS602-6	24	50	01	01	-160	AR
NAS509-4	27	30	02	01	-164	01	NAS602-6	24	50	01	02	-162	AR
NAS509-4	55	40	00	01	-007	02	NAS602-6	24	50	02	05	-089	AR
NAS509-5	27	60	00	01	-014	01	NAS602-7	23	16	00	01	-015	06
NAS509-5	32	30	01	01	-011	01	NAS617-4	79	30	00	01	-002	06
NAS509-6	27	50	00	02	-111	01	NAS617-5	79	30	00	01	-010	02
NAS509-7	21	30	00	01	-018	01	NAS620-10L	53	10	00	01	-160	04
NAS509L3	32	30	01	02	-010	01	NAS620-416	23	10	00	01	-010	01
NAS509L4	27	10	02	01	-051	01	NAS620-416	23	10	00	01	-033	02
NAS509L4	27	20	02	01	-117	01	NAS620-4L	32	30	00	01	-026	04
NAS509L4	27	30	02	01	-166	01	NAS620-5	28	40	00	01	-015	01
NAS509L5	27	60	00	01	-015	01	NAS620-5	57	20	03	01	-012	01

CESSNA®  
**MODEL 525 (SERIALS -0685 AND -0800 AND ON)**  
 ILLUSTRATED PARTS CATALOG

PART NUMBER	CH SEC SUBJ FIG	ITEM	REQ	PART NUMBER	CH SEC SUBJ FIG	ITEM	REQ
NAS620-8L	25-20-02-02	-174	02	NAS7035-03	55-10-00-02	-154	04
NAS6203-10D	27-30-02-02	-003	01	NAS7035-04	55-10-00-02	-155	04
NAS6203-14D	32-30-01-01	-005	01	NAS7035-05	55-10-00-02	-156	04
NAS6203-18D	52-30-00-02	-002	02	NAS7035-06	32-30-00-02	-024	03
NAS6203-23H	27-30-00-02	-018	02	NAS7035-06	57-10-00-03	-165	01
NAS6203-3	27-30-00-02	-026	05	NAS7035-06	57-10-00-03	-256	04
NAS6203-4	27-30-00-02	-025	04	NAS7035H02	27-20-00-02	-154	02
NAS6203-7D	32-41-00-01	-020	04	NAS7035H02	27-30-02-02	-100	04
NAS6203-8D	32-41-00-01	-019	04	NAS7035H03	23-10-00-01	-019	04
NAS6203-9D	27-30-02-02	-002	01	NAS7035H03	57-10-00-01	-008	58
NAS6204-10D	27-20-00-02	-022	01	NAS7035H03	57-10-00-01	-015	58
NAS6204-10D	32-30-01-02	-024	02	NAS7035H03	57-20-03-02	-019	02
NAS6204-12D	27-50-01-01	-117	01	NAS7035H03	57-20-03-02	-171	02
NAS6204-12D	32-30-00-01	-015	01	NAS7035H04	23-10-00-01	-018	04
NAS6204-12D	57-50-01-02	-008	01	NAS7035H04	23-10-00-01	-026	06
NAS6204-13D	27-30-01-01	-151	01	NAS7035H04	53-40-00-03	-242	04
NAS6204-13D	27-50-01-01	-117A	01	NAS7035H04	55-20-00-01	-013	03
NAS6204-13D	57-50-01-02	-009	01	NAS7035H04	57-10-00-01	-007	76
NAS6204-14D	27-50-01-01	-116	01	NAS7035H04	57-10-00-01	-014	74
NAS6204-14D	55-20-00-01	-007	02	NAS7035H04	57-10-00-01	-159	16
NAS6204-14D	55-40-00-01	-011	02	NAS7035H04	57-10-00-01	-172	16
NAS6204-14D	57-50-01-02	-010	01	NAS7035H04	57-20-03-02	-015	02
NAS6204-15	27-60-00-02	-112	01	NAS7035H04	57-20-03-02	-168	04
NAS6204-15D	27-10-00-01	-110	01	NAS7035H05	57-10-00-01	-158	32
NAS6204-16D	27-50-00-02	-105	01	NAS7035H05	57-10-00-01	-171	32
NAS6204-17D	27-10-00-01	-109	01	NAS7035H05	57-10-00-01	-241	66
NAS6204-18D	27-30-00-02	-046	01	NAS7035H05	57-10-00-01	-247	58
NAS6204-23D	27-30-01-01	-152	01	NAS7035H06	27-10-00-04	-003	04
NAS6204-4	55-30-00-01	-002	08	NAS7035H06	57-10-00-01	-009	02
NAS6204-4H	27-10-01-01	-003	04	NAS7035H06	57-10-00-01	-016	02
NAS6204-8D	55-20-00-01	-006	03	NAS7035H06	57-10-00-01	-157	10
NAS6205-10D	55-30-00-01	-004	04	NAS7035H06	57-10-00-01	-170	26
NAS6205-6	55-30-00-01	-003	08	NAS7035H06	57-10-00-01	-240	42
NAS6205-6X	55-30-00-01	-003A	AR	NAS7035H06	57-10-00-01	-246	60
NAS6206-9	55-30-00-01	-005	10	NAS7035H06	57-20-01-02	-010	04
NAS6206-9X	55-30-00-01	-005A	AR	NAS7035H07	57-10-00-01	-156	14
NAS623-2-11	52-20-00-01	-021	01	NAS7035H07	57-10-00-01	-169	14
NAS623-2-2	57-30-00-02	-004B	02	NAS7035H07	57-10-00-03	-177	02
NAS623-4-21	52-60-00-02	-024	01	NAS7035H08	57-20-01-02	-011	17
NAS6603-8	25-20-05-01	-002	04	NAS7035H09	57-20-01-02	-012	04
NAS6604-10	25-20-05-01	-006	02	NAS7036-05	57-10-00-03	-332	02
NAS6604-20	25-20-05-01	-243	02	NAS7036-06	57-10-01-02	-003	02
NAS6604-20	32-50-00-01	-102	01	NAS7036-07	57-50-01-01	-014	02
NAS6604-22	25-20-05-01	-242	02	NAS7036-08	57-50-01-01	-015	02
NAS6606H31	27-30-01-01	-160	01	NAS7036H05	57-10-00-02	-002	04
NAS681A08K	53-50-00-02	-165	32	NAS7036H05	57-10-00-02	-228	04
NAS686C08MK	76-10-01-01	-011A	02	NAS7036H06	57-10-00-01	-237	08
NAS686C08MK	76-10-01-01	-094A	02	NAS7036H07	57-10-00-01	-011	16
NAS686C3	53-21-00-01	-162	05	NAS7036H07	57-10-00-01	-018	16
NAS686C3	53-21-00-01	-184	03	NAS7036H07	57-10-00-01	-152	14
NAS686C3M	53-21-00-01	-180	03	NAS7036H07	57-10-00-01	-165	12
NAS697C08	53-21-00-04	-011A	01	NAS7036H07	57-10-00-01	-238	02
NAS7024-03	53-30-00-03	-002	04	NAS7036H07	57-10-00-01	-249	02
NAS7034-09	27-10-00-02	-014	04	NAS7036H08	57-10-00-01	-151	26
NAS7034H03	53-10-00-01	-182	08	NAS7036H08	57-10-00-01	-164	30
NAS7034H03	53-30-00-03	-027	03	NAS7036H08	57-10-00-02	-044	04
NAS7034H03	53-30-00-03	-033	03	NAS7036H08	57-10-00-02	-076	04
NAS7034H03	55-20-00-01	-018	02	NAS7038-04	54-10-00-01	-002	08
NAS7034H03	57-20-03-02	-023	02	NAS7038-10	57-10-00-02	-264	02
NAS7034H03	57-20-03-02	-175	02	NAS7038-11	57-10-00-02	-265	02
NAS7034H08	27-10-00-02	-021	02	NAS7038H08	57-10-00-02	-171	04
NAS7035-02	57-10-00-03	-330	02	NAS7038H08	57-10-00-02	-310	04

CESSNA®  
**MODEL 525 (SERIALS -0685 AND -0800 AND ON)**  
 ILLUSTRATED PARTS CATALOG

PART NUMBER	CH SEC SUBJ FIG	ITEM	REQ	PART NUMBER	CH SEC SUBJ FIG	ITEM	REQ
NAS7038H09	57-10-00-01	-243	12	P990100	28-20-00-01	-042	AR
NAS7038H09	57-10-00-01	-251	12	PBS250-1S8C5251	23-50-00-03	-001	01
NAS7038H10	57-10-00-01	-154	16	PC7066-1	21-21-01-01	-012	01
NAS7038H10	57-10-00-01	-167	16	PC7094-1	25-10-02-03	-083	02
NAS7038H10	57-10-00-02	-028	02	PED050-01	25-10-02-02	-164	02
NAS7038H10	57-10-00-02	-108	02	PH	11-00-00-01	-082	AR
NAS7038H11	57-10-00-02	-025	02	PH502	34-11-00-01	-001	01
NAS7038H11	57-10-00-02	-105	02	PH502	34-11-00-01	-002	01
NAS70C261-750	29-10-00-02	-077	04	PK	11-00-00-01	-047	AR
NAS7203U6	52-10-00-03	-002	04	PL5-1250	25-20-05-01	-008	16
NAS7203U6	52-10-00-03	-006	02	PL5-1250	25-20-05-01	-245	04
NAS75-10-016	53-50-00-01	-006	01	PLGA2180010	32-41-00-01	-117	NP
NAS75-10-016	53-50-00-01	-016	01	PP	11-00-00-01	-014	AR
NAS75-10-016	57-00-00-01	-039	01	PR	11-00-00-01	-015	AR
NAS75-10-016	57-00-00-01	-095	01	PT	11-00-00-01	-016	AR
NAS75-3-008	21-21-00-01	-025	01	PU	11-00-00-01	-017	AR
NAS75-3-014	52-30-00-01	-019	01	PZ1-3	76-10-01-02	-020	01
NAS75-4-019	27-30-00-02	-050	01	R-2-ZZRA1	25-21-01-02	-086	02
NAS75-4-024	27-20-01-01	-008	01	R065802000	25-20-05-01	-177	04
NAS75-4-027	52-60-00-01	-017	01	R065802500	25-20-05-01	-168	04
NAS75-7-008	55-10-00-01	-016	04	R512-10	36-10-00-01	-097	09
NAS75-7-008	55-30-01-01	-016	02	R512-16	36-10-00-01	-091	03
NAS75-7-008	55-30-01-01	-037	01	RA	11-00-00-01	-099	AR
NAS75-7-015	55-10-00-01	-023	02	RB288TR	25-20-05-01	-175	04
NAS75-7-016	55-30-01-01	-009	02	RD10361	23-10-00-01	-013	NP
NAS76A4-011	27-10-00-02	-009	01	RD10711	23-10-00-01	-009	NP
NAS77-10-030	57-00-00-01	-005	04	RD19	32-20-00-01	-022	01
NAS77-10-030	57-00-00-01	-100	04	RDG570-01	33-10-01-01	-003A	02
NAS77-3-008	53-20-01-01	-013	01	RF132	21-21-00-01	-007	01
NAS77-3-23	52-30-00-02	-004	04	RGS10-48	34-30-00-01	-004	01
NAS8602-1	33-40-00-03	-003	04	RL-3516-CES	24-52-00-01	-005	01
NAS8602-3	33-40-00-03	-006	14	RL-3516-F-CES	24-52-00-01	-004	01
NAS8603-2	71-60-00-01	-016	14	RL6856-1	33-10-01-01	-002	02
NAS8603-3	71-60-00-01	-087	03	RL6861	33-10-01-01	-003	02
NH1009753-10	29-10-00-02	-002	02	RL6966	33-20-00-01	-002	09
NH3000329-10	21-20-00-01	-012	01	RL6967	33-20-00-01	-001	01
NH3000484-10	21-21-00-01	-010	01	RP	11-00-00-01	-092	AR
NH3000486-10	21-20-00-01	-016	01	RS	11-00-00-01	-102	AR
NH3000957-10	21-50-01-02	-010	01	RS-3516-3510-CES	24-52-00-01	-003	01
NN5-040	21-30-00-01	-005	AR	S-53FC	30-40-00-02	-031	01
NTA815	52-10-00-03	-077	01	S-53FC	32-41-02-01	-008	02
O2C11T13-045	35-00-00-01	-030	01	S055-0067-00	23-70-00-01	-001	01
OB	11-00-00-01	-091	AR	S1003-16A	52-80-00-01	-041	01
OD	11-00-00-01	-058	AR	S1003-23A	52-80-00-01	-020	01
OE	11-00-00-01	-006	AR	S1003-69A	52-30-00-01	-021	01
OH	11-00-00-01	-034	AR	S1003-9A	52-60-00-01	-100	02
OK	11-00-00-01	-028	AR	S1003-9A	52-60-00-02	-008	04
OO	11-00-00-01	-010	AR	S1003-9A	52-60-00-02	-041	03
OWL100-03	33-50-00-02	-001	02	S1004-15A	27-10-02-02	-010	01
OY	11-00-00-01	-029	AR	S1004-1A	27-70-00-01	-025	02
P01074-207	25-60-01-01	-001	08	S1004-2A	52-10-00-01	-078	02
P12949	23-10-02-01	-012	02	S1004-44A	27-10-02-02	-011	01
P13167	23-16-00-01	-001	01	S1004-44A	32-30-00-01	-010	02
P13242-002	23-16-00-01	-028	01	S1004-67A	27-10-02-02	-029	01
P14126	23-10-02-01	-009	01	S1004-68A	27-10-02-02	-030	02
P14291-002	23-10-02-01	-002	01	S1021A4-8C	11-LQ-22-01	-079	02
P15864-001	23-10-02-01	-001	01	S1021A4-8C	11-LQ-22-01	-082	04
P18M30	36-10-00-03	-030	01	S1021A4-8C	11-N-22-01	-002	02
P21007	35-10-00-01	-024	01	S1021A4-8C	11-N-22-01	-005	02
P24140	35-00-00-01	-036	01	S1021A4-8C	11-N-22-01	-008	02
P4	11-00-00-01	-004	AR	S1021A4-8C	11-N-22-01	-011	02
P80014	35-10-00-01	-026	01	S1021A4-8C	11-N-22-01	-014	04



CESSNA®  
**MODEL 525 (SERIALS -0685 AND -0800 AND ON)**  
 ILLUSTRATED PARTS CATALOG

PART NUMBER	CH SEC SUBJ FIG	ITEM	REQ	PART NUMBER	CH SEC SUBJ FIG	ITEM	REQ
S1021A4-8C	11-PP-22-01	-076	04	S1115-35	25-20-02-02	-094	05
S1021A4-8C	11-PP-22-01	-082	02	S1115-38	25-20-02-02	-016	03
S1021A6-6	57-50-00-01	-004	04	S1115-38	25-20-02-02	-017	02
S1021Z4-4C	53-11-00-02	-092	07	S1115-9	25-20-02-02	-018	07
S1021Z4-4C	53-11-00-02A	-088	07	S1115-9	25-20-02-02	-095	04
S1021Z4-5C	53-11-00-02	-029	10	S1115-9	25-20-02-02	-096	05
S1021Z4-5C	53-11-00-02A	-022	10	S1115-9	53-30-00-01	-003	11
S1021Z4-5C	53-11-00-03	-026	10	S1155-4	76-10-01-02	-092	01
S1021Z4-6C	53-30-00-01	-007	07	S1188-3	53-30-00-01	-009	01
S1021Z4-6C	53-30-00-01	-024	09	S1188-3	53-30-00-01	-026	02
S1021Z4-8	25-50-00-01	-018A	03	S1188-3	53-30-00-03	-049	02
S1050-1	24-50-04-01	-027	AR	S1188-5	71-10-00-01	-019	02
S1050-1	27-20-02-02	-014	AR	S11K-23RA	27-30-02-01	-025	02
S1050-1	30-10-00-01	-155	AR	S11K-24R	27-10-00-01	-042	02
S1050-1	53-11-00-02	-047	AR	S11K-24R	27-20-00-01	-012	02
S1050-1	53-11-00-02A	-041	AR	S11K-3A	27-10-02-01	-031	02
S1050-1	57-60-00-01	-017	AR	S11K-3A	32-30-00-03	-155	01
S1050-1-1.75	25-10-00-02	-029	02	S11K-3A	32-30-00-04	-024	01
S1050-1-11.62	25-70-01-01	-005	01	S11K23RA	27-20-02-01	-024	02
S1050-1-2.20	25-70-01-01	-012	01	S11K24R	27-30-00-01	-016	02
S1050-1-2.75	53-25-00-01	-010	01	S11K4R	32-50-00-01	-033	02
S1050-1-4.75	27-60-00-02	-107	02	S11L-131C	27-10-02-01	-033	04
S1050-1-9.42	53-10-00-02	-157	02	S11L-131C	27-20-02-01	-026	04
S1050-1-9.85	25-70-01-01	-010	01	S11L-131C	27-30-02-01	-027	04
S1050-2	21-20-00-01	-008	AR	S11L-131C	32-30-00-03	-157	02
S1050-2	24-50-03-01	-023	AR	S11L-131C	32-30-00-04	-026	02
S1050-2	24-50-04-01	-027A	AR	S11L-132C	27-20-02-01	-025	02
S1050-2	30-10-00-01	-156	AR	S11L-132C	27-30-02-01	-026	02
S1050-2	53-10-01-01	-007	AR	S11L-161C	27-10-00-01	-043	04
S1050-2	53-20-03-01	-005	AR	S11L-161C	27-20-00-01	-014	02
S1050-2	53-21-00-02	-078	AR	S11L-161C	27-30-00-01	-018	04
S1050-2	53-21-00-05	-026	AR	S11L-161C	32-50-00-01	-035	04
S1050-2	57-50-01-01	-030	AR	S11L-162C	27-10-00-01	-044	02
S1050-2-7.50	53-20-03-01	-076	01	S11L-162C	27-20-00-01	-013	02
S1050-3	24-50-04-01	-027B	AR	S11L-162C	27-30-00-01	-017	02
S1050-3	57-50-01-01	-031	AR	S11L-162C	32-50-00-01	-034	02
S1053E5W	21-20-00-03	-001	AR	S11L-174C	27-10-02-01	-032	02
S1053E5W	34-46-00-02	-006	AR	S11L-174C	32-30-00-03	-156	01
S1053K64T20.0	21-50-02-01	-005	AR	S11L-174C	32-30-00-04	-025	01
S1053K8T68.0	21-21-00-02	-083	01	S133-3-.310	25-21-01-02	-024	02
S1053K8T8.0	21-21-00-02	-084	01	S133-3P.250	52-80-00-01	-026	02
S1102-1X	23-50-00-01	-003	01	S133-3P.781	52-80-00-01	-004	02
S1102-1X	23-50-00-01	-004	01	S133-4-1.100	27-70-00-01	-083	01
S1102-1X	23-50-00-01	-007	01	S133-4-1.570	27-70-00-01	-088	01
S1102-1X	23-50-00-01	-008	01	S133-4-2.400	27-70-00-01	-078	01
S1102-1X	31-10-00-01	-154	01	S138-1	30-40-00-03	-089	02
S1102-1X	31-10-00-01	-156	01	S138-1	32-41-00-01	-046A	01
S1102-1X	31-10-00-01	-165	01	S138-1	36-10-00-03	-044	01
S1102-1X	31-10-00-01	-166	01	S138-2	36-10-00-03	-043	04
S1102-3	23-50-00-01	-009	01	S143-3-3	27-10-02-02	-031	02
S1102-3	31-10-00-01	-157	01	S1438-17	21-20-01-02	-008	02
S1102-3	31-10-00-01	-164	01	S1438-17	21-50-01-01	-019	01
S1103-1	23-50-00-01	-005	01	S1438-17	21-50-02-01	-104	02
S1105-3L	32-30-01-02	-012	01	S1438-53	52-60-00-01	-009	02
S1115-19	53-30-00-01	-004	11	S1450-10S15-032	32-30-01-04	-086	01
S1115-29	25-20-02-02	-025	01	S1450-2-5-063	25-21-00-01	-014	02
S1115-29	25-20-02-02	-082	01	S1450-3D12-040	32-30-02-01	-055	01
S1115-29	25-20-02-02	-104	01	S1450-3N6-063	32-41-00-01	-021	04
S1115-32	53-30-00-01	-002	11	S1450-4-12-032	27-20-01-01	-018	01
S1115-35	25-20-02-02	-014	04	S1450-4-12-032	27-20-01-01	-046	01
S1115-35	25-20-02-02	-015	05	S1450-4-12-032	27-20-01-01	-077	01
S1115-35	25-20-02-02	-093	04	S1450-4-12-032	53-12-00-01	-023	02

CESSNA®  
**MODEL 525 (SERIALS -0685 AND -0800 AND ON)**  
 ILLUSTRATED PARTS CATALOG

PART NUMBER	CH SEC SUBJ FIG	ITEM	REQ	PART NUMBER	CH SEC SUBJ FIG	ITEM	REQ
S1450-4-12-063	32-30-00-03	-027	01	S1477-08	53-30-00-02	-008	23
S1450-4-14-032	27-30-00-02	-035B	01	S1477-08	53-30-00-02	-012	20
S1450-4-14-063	27-30-00-02	-035	02	S1477-08	53-30-00-03	-007	22
S1450-4-14-063	27-30-00-02	-035A	01	S1477-08	53-30-00-03	-012	19
S1450-4-16-032	27-20-01-01	-025	01	S1477-08	53-30-00-03	-015	29
S1450-4-8-016	27-10-02-02	-013	AR	S1477-08	53-30-00-03	-019	06
S1450-4H10-032	32-50-00-01	-163	02	S1477-08	53-30-00-03	-022	05
S1450-5B12-125	24-50-02-02	-090	10	S1477-08	53-30-00-03	-040	02
S1450-5B12-125	24-50-04-01	-102	01	S1477-3	25-21-00-03	-034	01
S1450-6-10-016	27-10-02-02	-012	AR	S1477-3	25-29-00-01	-011	12
S1450-7D11-125	30-40-00-02	-010	04	S1477-3	25-30-00-01	-008	03
S1450-7D11-125	32-30-02-01	-024	02	S1477-3	25-30-00-02	-030	03
S1477-08	23-10-02-01	-007	02	S1477-3	38-30-00-01	-105	04
S1477-08	25-10-02-02	-004	02	S1477-3	53-21-00-01	-088	06
S1477-08	25-10-02-02	-022	01	S1477-3	53-21-00-01	-157	05
S1477-08	25-10-02-02	-078	02	S1477-3	53-21-00-01	-165	20
S1477-08	25-10-02-02	-153	03	S1477-3	53-21-00-01	-168	36
S1477-08	53-11-00-01	-005	05	S1477-3	53-21-00-01	-171	24
S1477-08	53-11-00-01	-009	14	S1477-3	53-21-00-01	-174	12
S1477-08	53-11-00-01	-018	10	S1477-3	53-21-00-02	-005	02
S1477-08	53-11-00-01	-025	09	S1477-3	53-21-00-02	-008	03
S1477-08	53-11-00-01	-079	08	S1477-3	53-21-00-05	-027	38
S1477-08	53-11-00-01	-083	14	S1477-3A	53-21-00-01	-005	03
S1477-08	53-11-00-01	-095	12	S1477-3A	53-21-00-01	-018	02
S1477-08	53-11-00-01	-103	09	S1477-3A	53-21-00-01	-023	01
S1477-08	53-11-00-01A	-004	06	S1477-3A	53-21-00-01	-032	01
S1477-08	53-11-00-01A	-009	14	S1477-3A	53-21-00-01	-037	01
S1477-08	53-11-00-01A	-020	12	S1477-3A	53-21-00-01	-048	04
S1477-08	53-11-00-01A	-037	06	S1477-3A	71-60-00-01	-086	03
S1477-08	53-11-00-01A	-078	08	S1477-3D	25-20-05-01	-334	04
S1477-08	53-11-00-01A	-098	01	S1477-8A	35-20-00-01	-013	04
S1477-08	53-11-00-01A	-103	09	S1477-8A	53-11-00-01	-019	04
S1477-08	53-11-00-01A	-153	06	S1477-8A	53-11-00-01	-026	07
S1477-08	53-11-00-01A	-158	14	S1477-8A	53-11-00-01	-096	04
S1477-08	53-11-00-01A	-167	10	S1477-8A	53-11-00-01	-104	07
S1477-08	53-11-00-01A	-174	09	S1477-8A	53-11-00-01A	-021	04
S1477-08	53-11-00-02	-013	06	S1477-8A	53-11-00-01A	-038	07
S1477-08	53-11-00-02	-023	10	S1477-8A	53-11-00-01A	-079	03
S1477-08	53-11-00-02	-036	04	S1477-8A	53-11-00-01A	-100	01
S1477-08	53-11-00-02	-046	02	S1477-8A	53-11-00-01A	-104	07
S1477-08	53-11-00-02	-051	08	S1477-8A	53-11-00-01A	-168	04
S1477-08	53-11-00-02	-080	12	S1477-8A	53-11-00-01A	-175	07
S1477-08	53-11-00-02	-101	03	S1477-8A	53-11-00-02A	-027	04
S1477-08	53-11-00-02	-106	03	S1477-8A	53-11-00-02A	-106	02
S1477-08	53-11-00-02A	-012	06	S1477-8A	53-11-00-03	-028	04
S1477-08	53-11-00-02A	-030	04	S1477-8A	53-30-00-01	-099	01
S1477-08	53-11-00-02A	-040	02	S1477-8C	53-30-00-01	-100	01
S1477-08	53-11-00-02A	-080	12	S1527-1	21-21-00-02	-007	02
S1477-08	53-11-00-02A	-097	03	S1530-2LT5.90	21-21-00-01	-014	01
S1477-08	53-11-00-02A	-105	02	S1542-2	25-29-00-01	-010	08
S1477-08	53-11-00-02A	-116	01	S1710-1	27-10-00-01	-047	01
S1477-08	53-20-04-01	-004A	06	S1721-30	35-00-00-01	-026	01
S1477-08	53-20-04-01	-039	02	S1741-1	23-70-00-01	-027	01
S1477-08	53-22-00-01	-004	03	S1741-1	24-50-02-03	-008	08
S1477-08	53-22-00-01	-008	08	S1741-1	34-30-10-01	-012	04
S1477-08	53-30-00-01	-021	09	S1741-1	52-10-01-02	-029B	02
S1477-08	53-30-00-01	-078	13	S1741-1	53-10-00-01	-100	01
S1477-08	53-30-00-01	-081	10	S1741-1	53-10-00-02	-175	02
S1477-08	53-30-00-01	-090	22	S1741-1	53-10-00-02	-261	01
S1477-08	53-30-00-01	-093	31	S1741-1	53-20-03-01	-036	03
S1477-08	53-30-00-01	-098	02	S1741-1	53-20-03-01	-080	01
S1477-08	53-30-00-02	-004	21	S1741-1	53-20-03-01	-167	04

CESSNA®  
**MODEL 525 (SERIALS -0685 AND -0800 AND ON)**  
 ILLUSTRATED PARTS CATALOG

PART NUMBER	CH SEC SUBJ FIG	ITEM	REQ	PART NUMBER	CH SEC SUBJ FIG	ITEM	REQ
S1741-1	53-20-04-01	-034	02	S2209-5	38-31-00-01	-002	AR
S1741-1	53-20-07-01	-011	12	S225-27SF	54-50-00-02	-004	02
S1741-1	53-20-07-01	-011A	11	S2258-7-2.50	21-21-00-02	-087	01
S1741-1	53-20-07-01	-103	12	S2258-7-3.60	21-21-00-02	-089	01
S1741-1	53-20-07-01	-103A	11	S2258-7-65.00	30-10-00-01	-033	02
S1741-1	53-20-07-01	-108	01	S2295P35-37	27-30-01-01	-026	01
S1741-1	53-40-00-02	-088	05	S2295P35-43	27-30-01-01	-025	01
S1741-1	53-50-00-02	-107	07	S2319-50	71-10-00-01	-013	13
S1741-1	57-10-00-03	-091	02	S2319-50	71-60-00-01	-005	27
S1741-1	57-50-00-01	-003	04	S2319-50	78-10-00-01	-011	02
S1741-3	35-20-00-01	-018	06	S2319-50	78-10-00-01	-016	02
S1741-5	23-16-00-01	-024	01	S2319-51	71-10-00-01	-079	29
S1741-5	24-50-02-03	-006	07	S2319-63	71-10-00-01	-006	24
S1741-5	53-10-00-02	-009	02	S2319-63	71-10-00-01	-040	37
S1741-5	53-20-08-01	-014	05	S2319-63	71-10-00-01	-172	10
S1741-5	53-21-00-01	-095	01	S2323-7	32-30-00-06	-002	01
S1741-5	53-25-00-01	-002	02	S2323-7	32-30-00-06	-038	01
S1741-5	53-30-00-02	-039	04	S2357-1	21-50-01-01	-008	02
S1741-5	53-40-00-02	-011	06	S2357-1	21-50-01-01	-011	02
S1741-5	53-40-00-02	-019	05	S2357-1	21-50-01-02	-016	10
S1741-5	53-40-00-02	-087	09	S2357-1	29-10-00-01	-232	01
S1741-5	53-40-00-02	-155	13	S2357-1	36-10-00-03	-002	01
S1741-5	55-30-00-03	-082	02	S2357-2S	21-20-00-02	-004	04
S1741-5	56-10-00-02	-029	02	S2389-1	30-40-00-01	-084	04
S1741-5	57-10-00-03	-122	02	S2408-8AA0632	25-20-05-01	-260	12
S1891-12	21-21-00-03	-040	01	S2436-10	25-20-05-01	-330	01
S1891-12S	30-40-00-03	-026	04	S2446-18	53-40-00-03	-004A	01
S1891-20S	30-40-00-03	-027	02	S2467-2	52-30-00-02	-028	01
S1891-40S	21-20-01-02	-023	02	S251-1130-00	23-70-00-01	-034	01
S1891-40S	21-20-01-02	-026	02	S2548-4-36.00	24-30-01-01	-081	01
S1891-48S	21-20-00-03	-011	02	S2548-6	21-50-01-01	-007	AR
S1891-48S	21-21-00-01	-003	02	S2548-6	21-50-01-01	-010	AR
S1891-48S	30-40-00-03	-110	04	S2548-6	21-50-01-02	-015	AR
S1891-64S	21-10-00-01	-035	06	S2548-6-47.00	38-30-00-01	-159	01
S1891-64S	21-20-00-01	-014	02	S2554-12-0.22	71-60-00-01	-092	AR
S1891-64S	21-20-01-01	-012	02	S2609-1	24-50-04-01	-099	01
S1891-64S	21-20-01-01	-020	02	S2609-3	24-50-02-02	-091	01
S1891-64S	30-40-00-03	-114	02	S2609-3	24-50-02-02	-093	01
S1914-4	52-20-00-01	-022	01	S2614-3-25	76-10-01-02	-043	01
S1914-7	52-60-00-02	-021	01	S2629-1	55-20-00-01	-160	02
S1916-1	57-50-00-01	-005	04	S2632-1-12.1	30-10-00-01	-153	02
S1921-3	21-10-00-01	-005	06	S2674-3	52-10-00-01	-030A	01
S1921-3	30-10-00-01	-002	06	S2674-3	55-20-00-01	-049A	01
S1921-3	30-40-00-03	-099	03	S2674-3	55-30-00-03	-172	01
S1921-3	36-10-00-01	-012	02	S2674-3	55-40-00-01	-031A	01
S1921-3	36-10-00-01	-077	02	S2674-3	57-10-01-02	-019	01
S1921-4	30-20-00-01	-003	06	S2674-3	57-50-01-02	-091	01
S1997-26G16	27-20-01-01	-170	01	S2674-3	57-60-00-02	-177	01
S1997-2G4	76-10-01-02	-022	01	S2692-10N	29-10-00-01	-081	02
S1997-3G4	57-60-00-02	-156	02	S2692-6N	29-10-00-01	-112	02
S1997-6G6	27-10-02-02	-018	02	S2742-24	31-10-00-01	-021	05
S1997-8G12	52-10-00-01	-024	04	S2742-24	31-10-00-01	-090	AR
S2018-2	34-52-00-01	-005	04	S2742-24	31-10-00-01	-160	01
S2031-1	53-20-01-01	-087	04	S2742-24	31-10-00-01	-168	01
S2049P4LFG	32-30-01-02	-039	01	S2742-4	25-21-01-01	-015	02
S2088-4	76-10-01-01	-101	03	S2742-8	30-10-00-01	-161	AR
S2088-4	76-10-01-02	-087	06	S2742-8	30-40-00-02	-033	01
S2121-2S022	36-10-00-01	-185	01	S2742-8	31-10-00-01	-020	06
S2121-5	32-41-00-01	-118	01	S2742-8	31-10-00-01	-089	02
S2121-9	29-10-00-02	-020	01	S2800-1086	25-21-00-04	-006	01
S2209-1	35-20-00-01	-019	06	S2800-1128	79-30-00-01	-005	02
S2209-1	52-30-00-02	-117	02	S2800-1266	23-50-00-01	-019	02

CESSNA®  
**MODEL 525 (SERIALS -0685 AND -0800 AND ON)**  
 ILLUSTRATED PARTS CATALOG

PART NUMBER	CH SEC SUBJ FIG	ITEM	REQ	PART NUMBER	CH SEC SUBJ FIG	ITEM	REQ
S2800-308	32-41-01-01	-009	01	S2899-5.0	24-50-02-04	-049	01
S2800-582	53-12-00-01	-035	04	S2899-5.0	24-50-02-04	-082	01
S2800-902	35-00-00-01	-037	01	S2899-5.0	24-50-02-04	-085	01
S2807-1	11-N-22-04	-003	01	S2899-5.0	24-50-02-04	-086	01
S2868-1	27-50-00-01	-003	01	S2899-5.0	24-50-02-04	-088	01
S2876-1BB3	57-50-01-02	-001	01	S2899-5.0	24-50-02-04	-089	01
S2876-1BB6	28-10-00-01	-004	01	S2899-5.0	24-50-02-04	-090	01
S2876-1BB6	71-60-00-01	-091	01	S2899-5.0	24-50-02-04	-091	01
S2893-15	53-12-00-01	-001	04	S2899-5.0	24-50-02-04	-093	01
S2895-2	53-12-00-01	-028	01	S2899-5.0	24-50-02-04	-096	01
S2899-1.0	24-50-02-04	-081	01	S2899-5.0	24-50-02-04	-097	01
S2899-10.0	24-20-00-01	-019	01	S2899-5.0	24-50-02-04	-100	01
S2899-10.0	24-50-02-04	-051	01	S2899-5.0	24-50-02-04	-101	01
S2899-15.0	24-50-02-04	-026	01	S2899-5.0	24-50-02-04	-102	01
S2899-15.0	24-50-02-04	-031	01	S2899-5.0	24-50-02-04	-150	01
S2899-15.0	24-50-02-04	-038	01	S2899-5.0	24-50-02-04	-153	01
S2899-15.0	24-50-02-04	-079	01	S2899-5.0	24-50-02-04	-156	01
S2899-2.0	24-50-02-04	-010	01	S2899-5.0	24-50-02-04	-157	01
S2899-2.0	24-50-02-04	-015	01	S2899-5.0	24-50-02-04	-158	01
S2899-2.0	24-50-02-04	-018	01	S2899-5.0	24-50-02-04	-160	01
S2899-2.0	24-50-02-04	-023	01	S2899-5.0	24-50-02-04	-161	01
S2899-2.0	24-50-02-04	-028	01	S2899-5.0	24-50-02-04	-162	01
S2899-2.0	24-50-02-04	-030	01	S2899-5.0	24-50-02-04	-163	01
S2899-2.0	24-50-02-04	-034	01	S2899-5.0	24-50-02-04	-165	01
S2899-2.0	24-50-02-04	-036	01	S2899-5.0	24-50-02-04	-166	01
S2899-2.0	24-50-02-04	-050	01	S2899-7.5	24-30-02-01	-009	01
S2899-2.0	24-50-02-04	-076	01	S2899-7.5	24-50-02-04	-012	01
S2899-2.0	24-50-02-04	-087	01	S2899-7.5	24-50-02-04	-027	01
S2899-2.0	24-50-02-04	-155	01	S2899-7.5	24-50-02-04	-029	01
S2899-2.0	24-50-02-04	-159	01	S2899-7.5	24-50-02-04	-035	01
S2899-2.0	24-50-02-04	-164	01	S2899-7.5	24-50-02-04	-037	01
S2899-2.5	24-50-02-04	-075	01	S2899-7.5	24-50-02-04	-077	01
S2899-2.5	24-50-02-04	-080	01	S2899-7.5	24-50-02-04	-078	01
S2899-2.5	24-50-02-04	-083	01	S2899-7.5	24-50-02-04	-094	01
S2899-2.5	24-50-02-04	-084	01	S2899-7.5	24-50-02-04	-095	01
S2899-20.0	24-50-02-04	-046	01	S2899A5.0	24-50-02-04	-008	01
S2899-25.0	24-50-02-04	-048	01	S2899A5.0	24-50-02-04	-025	01
S2899-25.0	24-50-02-04	-092	01	S2899A5.0	24-50-02-04	-032	01
S2899-35.0	24-50-01-01	-090	01	S2899A5.0	24-50-02-04	-033	01
S2899-35.0	24-50-01-02	-096	01	S2899A5.0	24-50-02-04	-154	01
S2899-5.0	24-20-00-01	-018	01	S2899A5.0	24-50-02-04	-157A	01
S2899-5.0	24-20-00-02	-017	01	S2899L10.0	24-50-01-01	-024	01
S2899-5.0	24-40-00-01	-024	01	S2899L10.0	24-50-01-01	-078	01
S2899-5.0	24-50-02-04	-009	01	S2899L15.0	24-50-01-01	-013	01
S2899-5.0	24-50-02-04	-011	01	S2899L15.0	24-50-01-01	-017	01
S2899-5.0	24-50-02-04	-013	01	S2899L15.0	24-50-01-01	-019	01
S2899-5.0	24-50-02-04	-014	01	S2899L15.0	24-50-01-01	-022	01
S2899-5.0	24-50-02-04	-016	01	S2899L15.0	24-50-01-01	-027	01
S2899-5.0	24-50-02-04	-017	01	S2899L15.0	24-50-01-01	-031	01
S2899-5.0	24-50-02-04	-019	01	S2899L2.0	24-50-01-01	-009	01
S2899-5.0	24-50-02-04	-020	01	S2899L20.0	24-50-01-01	-079	01
S2899-5.0	24-50-02-04	-021	01	S2899L20.0	24-50-01-01	-089	01
S2899-5.0	24-50-02-04	-022	01	S2899L5.0	24-50-01-01	-006	01
S2899-5.0	24-50-02-04	-024	01	S2899L5.0	24-50-01-01	-007	01
S2899-5.0	24-50-02-04	-039	01	S2899L5.0	24-50-01-01	-008	01
S2899-5.0	24-50-02-04	-040	01	S2899L5.0	24-50-01-01	-010	01
S2899-5.0	24-50-02-04	-041	01	S2899L5.0	24-50-01-01	-011	01
S2899-5.0	24-50-02-04	-042	01	S2899L5.0	24-50-01-01	-012	01
S2899-5.0	24-50-02-04	-043	01	S2899L5.0	24-50-01-01	-015	01
S2899-5.0	24-50-02-04	-044	01	S2899L5.0	24-50-01-01	-018	01
S2899-5.0	24-50-02-04	-045	01	S2899L5.0	24-50-01-01	-020	01
S2899-5.0	24-50-02-04	-047	01	S2899L5.0	24-50-01-01	-021	01

CESSNA®  
**MODEL 525 (SERIALS -0685 AND -0800 AND ON)**  
 ILLUSTRATED PARTS CATALOG

PART NUMBER	CH	SEC	SUBJ	FIG	ITEM	REQ	PART NUMBER	CH	SEC	SUBJ	FIG	ITEM	REQ
S2899L5.0			24-50-01-01		-023	01	S2899L7.5			24-50-01-02		-092	01
S2899L5.0			24-50-01-01		-025	01	S2941-2			71-10-00-01		-008	AR
S2899L5.0			24-50-01-01		-026	01	S2941-2			71-10-00-01		-034	01
S2899L5.0			24-50-01-01		-029	01	S2941-2			71-10-00-01		-034A	AR
S2899L5.0			24-50-01-01		-032	01	S2941-2			71-10-00-01		-164	AR
S2899L5.0			24-50-01-01		-033	01	S2951-4			76-10-01-02		-018	01
S2899L5.0			24-50-01-01		-034	01	S2952-56			27-30-02-01		-014	01
S2899L5.0			24-50-01-01		-075	01	S2958-10-19.5			21-50-00-01		-008	AR
S2899L5.0			24-50-01-01		-076	01	S2958-10-21.5			21-50-00-01		-007	AR
S2899L5.0			24-50-01-01		-077	01	S2958-10-9.5			21-50-00-01		-006	AR
S2899L5.0			24-50-01-01		-081	01	S2958-8-7.5			21-50-00-01		-014	AR
S2899L5.0			24-50-01-01		-082	01	S2971-23CP1032			24-50-02-02		-027	04
S2899L5.0			24-50-01-01		-083	01	S3001-1			24-30-01-01		-083	01
S2899L5.0			24-50-01-01		-085	01	S3001-1			71-00-00-01		-009	02
S2899L5.0			24-50-01-01		-086	01	S3001-1			71-50-00-01		-003	07
S2899L5.0			24-50-01-01		-087	01	S3001-1			71-50-00-01		-077	06
S2899L5.0			24-50-01-01		-088	01	S3001-15			32-41-00-04		-012	02
S2899L5.0			24-50-01-01		-095	01	S3001-18			32-30-00-02		-166	01
S2899L5.0			24-50-01-01		-096	01	S3001-18			32-41-00-04		-037A	02
S2899L5.0			24-50-01-01		-097	01	S3001-18			32-41-00-05		-113	02
S2899L5.0			24-50-01-01		-098	01	S3001-18			53-11-00-01		-011	01
S2899L5.0			24-50-01-01		-099	01	S3001-18			53-11-00-01A		-160	01
S2899L5.0			24-50-01-01		-100	01	S3001-19			32-41-00-04		-031	02
S2899L5.0			24-50-01-01		-101	01	S3001-25			71-50-00-01		-004	01
S2899L5.0			24-50-01-02		-007	01	S3001-25			71-50-00-01		-078	01
S2899L5.0			24-50-01-02		-009	01	S3001-27			73-10-00-01		-013A	01
S2899L5.0			24-50-01-02		-010	01	S3001-3			26-10-00-01		-009	02
S2899L5.0			24-50-01-02		-011	01	S3001-3			71-50-00-01		-005	01
S2899L5.0			24-50-01-02		-012	01	S3001-3			71-50-00-01		-079	02
S2899L5.0			24-50-01-02		-013	01	S3002-5			30-40-00-03		-020	02
S2899L5.0			24-50-01-02		-014	01	S3050-6			29-10-00-01		-189	03
S2899L5.0			24-50-01-02		-015	01	S3100-489			34-44-00-01		-001A	01
S2899L5.0			24-50-01-02		-016	01	S3100-511			34-28-00-01		-001	01
S2899L5.0			24-50-01-02		-017	01	S3100-511			34-28-00-01		-002	01
S2899L5.0			24-50-01-02		-019	01	S3100-589			34-61-00-01		-075	01
S2899L5.0			24-50-01-02		-020	01	S3100-589			34-61-00-01		-076	01
S2899L5.0			24-50-01-02		-021	01	S3100-593			24-20-00-03		-001	01
S2899L5.0			24-50-01-02		-022	01	S3100-593			24-20-00-03		-002	01
S2899L5.0			24-50-01-02		-023	01	S3100-610			34-61-00-01		-001A	01
S2899L5.0			24-50-01-02		-024	01	S3100-610			34-61-00-01		-002A	01
S2899L5.0			24-50-01-02		-075	01	S3100-610			34-61-00-01		-003A	01
S2899L5.0			24-50-01-02		-076	01	S3100-622			23-70-00-01		-006A	01
S2899L5.0			24-50-01-02		-077	01	S3150B0114-000E			34-11-00-01		-016	01
S2899L5.0			24-50-01-02		-078	01	S3150B0125-000E			34-11-00-01		-044	01
S2899L5.0			24-50-01-02		-079	01	S3150B0135-000G			34-11-00-02		-029	01
S2899L5.0			24-50-01-02		-080	01	S3150B0184-000E			34-11-00-01		-019	01
S2899L5.0			24-50-01-02		-081	01	S3155-1			24-30-01-01		-013	01
S2899L5.0			24-50-01-02		-082	01	S3176-2			32-60-00-01		-007	01
S2899L5.0			24-50-01-02		-083	01	S3176-2			32-60-00-01		-008	01
S2899L5.0			24-50-01-02		-084	01	S3178-1			25-10-02-02		-163	02
S2899L5.0			24-50-01-02		-085	01	S3184-16			71-70-00-01		-008	04
S2899L5.0			24-50-01-02		-086	01	S3189-20A			24-50-02-04		-168	01
S2899L5.0			24-50-01-02		-087	01	S3189-30A			24-50-02-04		-167	01
S2899L5.0			24-50-01-02		-088	01	S3190-1			35-00-00-01		-032	01
S2899L5.0			24-50-01-02		-089	01	S3191-08			27-10-00-03		-043	04
S2899L7.5			24-50-01-01		-014	01	S3191-08			27-30-02-02		-091	03
S2899L7.5			24-50-01-01		-016	01	S3191-08			27-30-02-02		-102	04
S2899L7.5			24-50-01-01		-028	01	S3191-08			32-50-00-01		-094A	04
S2899L7.5			24-50-01-01		-030	01	S3191-08			32-70-00-02		-004	06
S2899L7.5			24-50-01-01		-084	01	S3191-08			53-10-00-02		-082	02
S2899L7.5			24-50-01-02		-008	01	S3191-08			53-10-00-02		-086	02
S2899L7.5			24-50-01-02		-018	01	S3191-08			53-10-00-04		-011	03

CESSNA®  
**MODEL 525 (SERIALS -0685 AND -0800 AND ON)**  
 ILLUSTRATED PARTS CATALOG

PART NUMBER	CH	SEC	SUBJ	FIG	ITEM	REQ	PART NUMBER	CH	SEC	SUBJ	FIG	ITEM	REQ
S3191-08	53	10	00-04		-032	03	S3275-6S	53	11	00-03		-012	05
S3191-08	53	10	00-04		-041	06	S3275D208	24	50	02-03		-009	05
S3191-08	53	10	00-04		-049	04	S3275D208	24	50	04-01		-024	02
S3191-08	53	20	07-01		-088A	13	S3275E202	24	50	02-04		-005	01
S3191-08	53	20	07-01		-227A	08	S3275E202	25	70	00-02		-004	13
S3191-08	53	20	07-01		-231A	15	S3275E202	25	70	00-02		-009	15
S3191-08	53	20	07-01		-235A	06	S3275E202	53	11	00-03		-005	04
S3191-08	53	20	07-01		-247A	08	S3275E202	53	11	00-03		-013	05
S3191-08	53	20	07-01		-250A	08	S3275E202	53	11	00-03		-017	05
S3191-08	53	20	07-01		-253A	14	S3278C10	32	41	02-01		-007	01
S3191-08	53	20	07-01		-257A	14	S3278C10	36	10	00-03		-089	01
S3191-08	53	20	08-01		-027	06	S3278C5	30	10	00-01		-020	02
S3191-08	53	20	08-01		-032	04	S3278C5	30	10	00-01		-031	02
S3191-08	53	21	00-02		-017	32	S3278C5	71	60	00-01		-095	01
S3191-08	53	21	00-04		-107A	03	S3278C6	30	40	00-03		-048	01
S3191-08	53	21	00-04		-115A	03	S3294-4-8B	33	10	00-01		-010	01
S3191-08	53	40	00-03		-013	04	S3298-1	30	40	00-01		-104	01
S3191-08	53	40	00-03		-087A	08	S3298-2	30	40	00-01		-105	01
S3191-08	53	40	00-03		-161	02	S3298-4	30	40	00-01		-001	01
S3191-08	53	40	00-03		-173	08	S3309A0114-000F	32	30	00-02		-045	02
S3191-08	53	40	00-03		-177	04	S3309A0233-000F	32	41	00-04		-036	02
S3191-08	53	40	00-03		-240	08	S3309A0260-000E	32	41	00-04		-045	01
S3191-08	53	50	00-01		-005	53	S3309A0265-000F	32	41	00-04		-046	01
S3191-08	53	50	00-01		-015	53	S3309B0125-000E	32	41	00-01		-007	02
S3191-08	53	50	00-01		-082	46	S3309B0146-000E	32	41	00-01		-006	01
S3191-08	53	50	00-01		-093	20	S3309B0260-000E	32	41	00-04		-048	01
S3191-08	53	50	00-01		-100	07	S3309B0265-000F	32	41	00-04		-047	01
S3191-08	53	50	00-01		-106	02	S3322C10-15	55	30	01-02		-003	38
S3191-08	56	20	00-01		-005	24	S3322C10-15	55	30	01-02		-006	18
S3191-08	56	30	00-01		-005	19	S3322C10-15	57	20	02-01		-008	06
S3191-3	53	21	00-02		-012	06	S3322S10-15	57	10	01-01		-010	AR
S3191-3	53	21	00-04		-046A	02	S3322S10-15	57	20	01-01		-002	16
S3199-4-0140	21	50	00-01		-015	01	S3322S10-15	57	20	01-01		-005	AR
S3199-4-1120	21	50	00-01		-002	01	S3322S10-15	57	20	01-01		-010	23
S3199-8-1020	21	50	00-01		-004	01	S3322S10-15	57	20	01-01		-013	14
S3200-3	31	10	00-01		-011	01	S3348-12	80	10	00-01		-005	AR
S3212-3	32	30	01-02		-011	01	S3365-1	29	10	00-01		-002	01
S3216B1	31	10	00-01		-095	06	S338-1	32	30	00-03		-153	06
S3217B2	33	10	00-01		-079	01	S338-1	32	30	00-05		-004B	04
S3230-1	11	LQ	22-01		-080	02	S338-3	32	30	00-03		-150	06
S3230-1	11	LQ	22-01		-083	04	S338B1	27	70	00-01		-150	12
S3230-1	11	PP	22-01		-077	04	S339-1	32	30	00-03		-154	03
S3230-1	11	PP	22-01		-083	02	S339-1	32	30	00-05		-004C	02
S3230-1	25	50	00-01		-018B	03	S339-3	32	30	00-03		-151	03
S3230-1	53	11	00-02A		-023	10	S3412-103	71	10	00-01		-005	24
S3230-1	53	11	00-03		-027	10	S3412-103	71	10	00-01		-039	37
S3230-1	53	30	00-01		-008	07	S3412-103	71	10	00-01		-171	10
S3230-1	53	30	00-01		-025	09	S3420-1	53	30	00-02		-003	21
S3275-300	24	50	04-01		-004	02	S3420-1	53	30	00-02		-007	23
S3275-300	25	70	00-02		-005	13	S3420-1	53	30	00-02		-011	20
S3275-300	25	70	00-02		-010	15	S3420D1	21	20	01-02		-083	04
S3275-300	53	11	00-03		-006	04	S3420D2	25	21	00-02		-042	AR
S3275-300	53	11	00-03		-014	05	S3438-0200	30	40	00-03		-015	02
S3275-300	53	11	00-03		-018	05	S3438-0525	21	21	00-01		-006	01
S3275-3W	24	50	02-01		-012	06	S3451B32	53	40	00-03		-179	04
S3275-3W	24	50	04-01		-003	02	S3455-C3	53	30	00-04		-002	52
S3275-5S	25	70	00-02		-002	07	S3455-C4	54	50	00-02		-002	14
S3275-5S	25	70	00-02		-007	07	S3455-C4	54	50	00-02		-005	08
S3275-5S	53	11	00-03		-016	05	S3455-C4	54	50	00-02		-008	11
S3275-6S	25	70	00-02		-003	06	S3455-C4	54	50	00-02		-012	10
S3275-6S	25	70	00-02		-008	08	S3455-S4	53	50	00-02		-083	33
S3275-6S	53	11	00-03		-004	04	S3455-S4	53	50	00-02		-090	41

CESSNA®  
**MODEL 525 (SERIALS -0685 AND -0800 AND ON)**  
 ILLUSTRATED PARTS CATALOG

PART NUMBER	CH SEC SUBJ FIG	ITEM	REQ	PART NUMBER	CH SEC SUBJ FIG	ITEM	REQ
S3455-S4	53-50-00-02	-100	42	S3528-5D	53-21-00-04	-081	03
S3455-S4	53-50-00-02	-163	32	S3528-5D	53-30-00-02	-024	02
S3455-S4	55-10-01-01	-003	20	S3528-5D	53-40-00-01	-025	07
S3455-S5	53-50-00-02	-017	46	S3528-5D	53-40-00-01	-093	07
S3455-S5	53-50-00-02	-177	59	S3528-5D	53-40-00-01	-174	04
S3455-S5	55-31-00-01	-002	40	S3528-5D	53-40-00-03	-079	02
S3455-S5	55-31-00-01	-009	27	S3528-5D	53-40-00-03	-180	02
S3455-S5	55-31-00-01	-017	02	S3528-5D	53-40-00-03	-248	01
S3461-132	71-00-00-01	-002	02	S3528-5D	76-10-01-02	-029	01
S3461-141	27-30-00-02	-034	01	S3529-1	53-20-07-01	-107	01
S3461-142	27-30-00-02	-002	01	S3529-1A1	21-50-02-01	-027	01
S3461-15	57-00-00-01	-002	02	S3529-1A1	28-20-00-01	-082	01
S3461-15	57-00-00-01	-097	02	S3529-1A1	32-50-00-01	-036	01
S3461-43	32-20-00-01	-002	02	S3529-1A1	53-20-00-01	-015	03
S3461-44	32-30-01-04	-089	01	S3529-1A1	53-20-00-02	-159	01
S3461-45	32-30-01-04	-085	01	S3529-1A1	53-20-03-01	-093	07
S3461-46	32-30-00-02	-101	01	S3529-1A1	53-40-00-01	-028	02
S3461-50	71-00-00-01	-005	01	S3529-1A1	53-40-00-01	-094	01
S3461-52	53-40-00-03	-151	04	S3529-1A1	53-40-00-01	-175	02
S3461-52	53-40-00-03	-226	04	S3529-1B1	24-50-02-04	-003	05
S3461-53	55-10-00-01	-002	02	S3529-1B1	28-20-00-01	-109	01
S3461-54	55-10-00-01	-003	02	S3529-1B1	33-40-00-03	-013	02
S3461-55	27-30-00-02	-033	01	S3529-1B1	53-20-00-01	-040	02
S3461-57	55-40-00-01	-002	01	S3529-1B1	53-20-02-01	-022	03
S3468-30	32-30-01-04	-089A	01	S3529-1B1	53-20-07-01	-106	01
S3468-31	32-30-01-04	-085A	01	S3529-1B1	53-20-08-01	-020	05
S3468-32	32-20-00-01	-002A	02	S3529-1B1	53-21-00-01	-158	01
S3478-1	24-50-01-02	-091	01	S3529-1B1	53-30-00-02	-029	01
S3478-1	24-50-02-04	-081A	01	S3529-1B1	53-40-00-01	-095	01
S3504-1	27-10-00-03	-022	02	S3529-1B1	53-40-00-01	-176	01
S3504-1	27-30-02-02	-083	02	S3529-1B1	53-40-00-03	-008	01
S3504-1	27-30-02-02	-093	02	S3529-1B1	53-50-00-02	-233	02
S3504-3	27-10-00-03	-003	04	S3529-1B1	55-31-00-01	-023	01
S3504-3	27-10-00-03	-014	02	S3529-1B1	57-30-00-02	-004A	18
S3504-3	27-10-00-04	-019	04	S3529-1B1	57-50-00-01	-013	06
S3504-3	27-20-00-02	-021	01	S3529-1B1	57-50-00-01	-106	02
S3504-4	27-10-00-04	-033	02	S3529-1B1	57-70-00-01	-021	02
S3506-1	31-10-00-01	-015	01	S3538-1	31-10-00-01	-018	02
S3526-25-109	27-20-02-01	-002	01	S3538-2	31-10-00-01	-017	03
S3526-25-109	27-30-02-01	-086	02	S3538-2	31-10-00-01	-087	03
S3526-25-239	27-30-02-01	-015	01	S3538-3	31-10-00-01	-019	01
S3526-25-85	27-10-02-01	-029	01	S3538-3	31-10-00-01	-019A	02
S3526-25-89	27-20-02-01	-101	01	S3538-3	31-10-00-01	-088	01
S3526-25-93	27-10-02-01	-009	01	S3597-8	24-30-01-01	-001	01
S3527-25	27-10-02-01	-010	02	S3602-2	24-50-02-02	-095	01
S3527-25	27-10-02-01	-030	02	S3602-2	24-50-02-02	-096	01
S3527-25	27-20-02-01	-003	02	S3602-2	24-50-02-02	-097	01
S3527-25	27-20-02-01	-102	02	S3602-2	24-50-02-02	-098	01
S3527-25	27-30-02-01	-016	02	S3602-2	24-50-02-02	-099	01
S3527-25	27-30-02-01	-087	04	S3602-2	24-50-02-02	-100	01
S3528-15A	32-30-00-04	-030	02	S3602-2	24-50-02-02	-101	01
S3528-15A	53-10-00-01	-093	02	S3724F3	71-70-00-01	-007	04
S3528-4C	53-20-00-02	-160	01	S3743-1	27-10-00-03	-026	AR
S3528-5D	21-10-00-01	-032	01	S378-1	27-10-02-03	-013	01
S3528-5D	24-20-00-01	-010	01	S378-1	27-10-02-03	-021	02
S3528-5D	24-20-00-02	-009	01	S378-1	27-10-02-03	-028	02
S3528-5D	53-20-02-01	-029	03	S378-1	27-10-02-03	-036	02
S3528-5D	53-20-03-01	-014	02	S378-1	27-20-02-01	-008	02
S3528-5D	53-20-06-01	-019	01	S378-1	27-20-02-01	-014	03
S3528-5D	53-20-08-01	-021	02	S378-1	27-30-02-02	-013	06
S3528-5D	53-21-00-02	-035	22	S378-1	27-30-02-02	-017	01
S3528-5D	53-21-00-02	-102	20	S378-1L	27-50-00-01	-010	02

CESSNA®  
**MODEL 525 (SERIALS -0685 AND -0800 AND ON)**  
 ILLUSTRATED PARTS CATALOG

PART NUMBER	CH	SEC	SUBJ	FIG	ITEM	REQ	PART NUMBER	CH	SEC	SUBJ	FIG	ITEM	REQ
S378-1L	27	50	00	01	-016	01	S4015-1LL	24	50	02	05	-083	02
S378-1L	76	10	01	02	-104	01	S4015-1LLL	24	50	01	01	-152	01
S378-2	27	50	00	01	-032	01	S4015-1LLL	24	50	02	05	-087A	01
S378-3	27	20	00	02	-047	02	S4015-1LNL	24	50	01	01	-158	03
S378-4	27	10	00	03	-030	02	S4015-1LNL	24	50	01	02	-158	02
S378-4	27	10	00	03	-045	04	S4015-1LNLL	24	50	01	01	-163	01
S378-4	27	10	00	04	-006	04	S4015-1LNLLL	24	50	01	01	-167	01
S378-4	27	20	00	02	-006	01	S4015-1LNLL	24	50	02	05	-078	01
S378-4	27	20	00	02	-039	01	S4015-1LNLL	24	50	01	02	-159	01
S378-4	27	20	00	02	-079	02	S4015-1LNLL	24	50	01	01	-159	01
S378-4	27	20	00	02	-158	02	S4015-1LR	24	50	01	01	-165	01
S378-4	27	20	00	02	-172	02	S4015-1LR	24	50	01	02	-157	01
S378-4	27	30	00	01	-011	01	S4015-1RL	24	50	02	05	-079	01
S378-4	27	30	00	01	-031	01	S4015-1RLL	24	50	01	02	-160	01
S378-4	27	30	00	01	-085	02	S4015-1RNL	24	50	01	02	-161	01
S378-4	27	30	00	01	-101	02	S4015-1RNNR	24	50	01	01	-164	01
S378-4	32	50	00	01	-044	01	S4015-1RNR	24	50	02	05	-077	01
S378-4	32	50	00	01	-080	01	S4015-1RR	24	50	01	01	-166	01
S378-4S	27	20	00	02	-087	02	S4015-1RR	24	50	02	05	-086	01
S378-4S	27	20	00	02	-098	02	S4015-1RRR	24	50	02	05	-087	01
S378-4S	27	30	00	01	-021	02	S4057-8	24	30	01	01	-012	AR
S3811-4N	32	20	00	01	-023	04	S4126-2	11	LQ	22	01	-001	01
S3811-4N	38	30	00	01	-162	01	S4126-3	11	LQ	22	01	-003	01
S3811-4N	38	30	00	01	-194	10	S4131-1	24	30	01	01	-011	02
S382-3	31	10	00	01	-003	01	S4131-1	24	30	01	01	-088	01
S3839B1	33	10	01	01	-007	02	S4132-1	21	50	02	01	-009	06
S3839B15	33	10	00	01	-077	01	S4132-1	23	10	00	01	-030	03
S3839B4	33	10	00	01	-078	02	S4132-1	23	16	00	01	-023	01
S3855-1	28	40	00	01	-014	02	S4132-1	25	10	00	02	-033	01
S3861-1	27	10	01	01	-009	01	S4132-1	36	10	00	01	-110	02
S3881-2	55	31	00	01	-003	40	S4132-1	53	10	00	02	-010	06
S3881-2	55	31	00	01	-010	27	S4132-1	53	10	00	02	-160	13
S3881-2	55	31	00	01	-018	02	S4132-1	53	10	00	02	-260	06
S3881-3	25	30	00	01	-019	04	S4132-1	53	20	03	01	-015	05
S3887-1H1.80	27	20	00	02	-011	03	S4132-1	53	20	03	01	-094	05
S3895-1	55	40	00	01	-095	02	S4132-1	53	20	03	01	-166	06
S3922S4	52	10	00	01	-115	02	S4132-1	53	20	07	01	-007	06
S3922S5	52	60	00	01	-021	01	S4132-1	53	20	07	01	-094	06
S3922S5	52	60	00	01	-028	01	S4132-1	53	20	07	01	-163	06
S3940-6	27	20	00	02	-027	01	S4132-1	53	21	00	02	-036	31
S3940-7	27	20	00	02	-026	01	S4132-1	53	21	00	02	-103	38
S3951-4	27	10	00	02	-008	02	S4132-1	53	21	00	04	-033	01
S400-1-4RS	32	41	00	01	-029	04	S4132-1	53	25	00	01	-005	01
S4013-1	24	50	02	05	-082	01	S4132-1	53	30	00	02	-030	16
S4013-3	24	50	01	01	-150	03	S4132-1	53	30	00	03	-043	01
S4013-3	24	50	01	02	-151A	01	S4132-1	53	40	00	02	-006	AR
S4014-1	24	50	02	05	-085	05	S4132-1	53	40	00	02	-012	AR
S4014-2	24	50	01	01	-153	02	S4132-1	53	40	00	02	-086	AR
S4014-2	24	50	01	02	-150	03	S4132-1	53	40	00	02	-154	02
S4014-2	24	50	02	05	-084	02	S4132-1	53	40	00	03	-020	02
S4014-3	24	50	01	01	-150A	01	S4132-1	53	40	00	03	-181	04
S4014-3	24	50	01	02	-151	03	S4132-1	53	40	00	03	-249	02
S4014-3	24	50	02	05	-081	06	S4132-1	53	50	00	02	-231	06
S4014-4	24	50	01	01	-151	03	S4132-1	55	30	00	01	-021	03
S4014-4	24	50	02	05	-080	02	S4132-1	55	30	00	03	-005	23
S4014-5	24	50	01	01	-157	02	S4132-1	55	30	00	03	-092	02
S4014-5	24	50	02	05	-075	01	S4132-1	55	30	00	03	-100	04
S4014-6	24	50	01	02	-152	01	S4132-2	53	40	00	02	-105	01
S4014-6	24	50	02	05	-076	01	S4132-2	57	10	00	01	-103	02
S4014-7	24	50	01	01	-155	01	S4132-2	57	10	00	02	-273	02
S4014-8	24	50	02	05	-088	01	S4132-2	57	10	00	03	-023	02
S4015-1LL	24	50	01	02	-156	01	S4132-2	57	10	00	03	-157	06



CESSNA®  
**MODEL 525 (SERIALS -0685 AND -0800 AND ON)**  
 ILLUSTRATED PARTS CATALOG

PART NUMBER	CH SEC SUBJ FIG	ITEM	REQ	PART NUMBER	CH SEC SUBJ FIG	ITEM	REQ
S4132-2	57-10-00-03	-248	01	SAM196-4	25-30-00-03	-115	01
S4132-2	57-20-03-01	-008	12	SAM196-4	38-30-00-01	-015	02
S4132-2	57-20-03-01	-083	04	SAM196-7	25-30-00-01	-015	01
S4135-5	11-LQ-25-01	-001	08	SB120	24-20-00-01	-001	01
S4140-1	11-LQ-25-01	-002	02	SE	11-00-00-01	-108	AR
S4145-1	24-50-02-03	-031	01	SFR3ZZ	25-21-01-02	-081	01
S4171-1	11-PP-25-01	-003	08	SJ-5023	52-60-00-02	-022	02
S4171-2	11-PP-24-01	-001	01	SJ5023	52-60-00-01	-011	08
S4172-3	11-PP-25-01	-002	02	SL5001-1	52-10-01-02	-001	01
S4189-2	53-12-00-01	-036	01	SL5001-11	52-20-00-01	-028	01
S4195-5	11-JA-31-01	-001	01	SM4650-1	21-21-01-01	-018	06
S4196-1	11-JA-31-01	-002	02	SP	11-00-00-01	-093	AR
S4197-1	11-JA-31-01	-003	02	SP24332	25-20-05-01	-150	01
S4215-1	11-N-22-01	-003	02	SP24332	25-20-05-01	-323	03
S4215-1	11-N-22-01	-006	02	SS-402-SC	32-41-00-01	-031	04
S4215-1	11-N-22-01	-009	02	SS-602-SC	32-41-00-01	-159	01
S4215-1	11-N-22-01	-012	02	SS120	24-20-00-01	-002	01
S4215-1	11-N-22-01	-015	04	SS4-250	21-20-01-01	-024	02
S4215-1	53-11-00-02	-030	10	SS50	24-20-00-02	-001	01
S4215-1	53-11-00-02	-093	07	SU	11-00-00-01	-031	AR
S4215-1	53-11-00-02A	-089	07	SX	11-00-00-01	-037	AR
S4241-2	11-N-22-04	-002A	01	T7	11-00-00-01	-100	AR
S4262-4	11-LQ-25-01	-004	02	T9	11-00-00-01	-013	AR
S4266-1	11-C-22-01	-001	1	TA01C30D04	32-30-00-04	-021	02
S4266-2	11-C-31-01	-001	01	TA02107D032NB	53-20-03-01	-031	02
S4371-1	25-10-02-01	-016	AR	TA027000D004NB	32-10-00-01	-023	05
S4373-5	11-N-25-02	-001	02	TA02D713D04EP	32-30-01-04	-002	01
S4414-1	11-LQ-26-01	-001	01	TA02D713D06EP	53-10-00-04	-001	01
S4414-2	11-LQ-22-01	-075	01	TA03113D036NB	32-10-00-01	-022	03
S4414-3	11-LQ-23-01	-001	01	TA03113D036NB	32-41-00-05	-115	02
S4414-4	11-LQ-24-01	-001	02	TA03113D039NB	32-10-00-01	-026	02
S4414-5	11-LQ-23-01	-002	01	TA0910126	30-20-00-01	-008	04
S4414-6	11-LQ-22-01	-081	01	TA12C59D58EP	30-40-00-01	-041	01
S4414-7	11-LQ-22-01	-002	01	TA12C60WD36CR	32-41-00-03	-097	NP
S4417-1	11-PP-22-01	-002	01	TA2D713D08EP	30-10-00-01	-101	06
S4417-10	11-PP-27-02	-001	02	TA2D713D10EP	30-10-00-01	-085	02
S4417-2	11-PP-22-01	-080	01	TA4070D0609	32-41-00-04	-011	02
S4417-3	11-PP-22-01	-079	01	TA4091D0607	32-30-00-02	-164	01
S4417-4	11-PP-22-01	-078	01	TA4091D0607	32-41-00-04	-037	02
S4417-5	11-PP-22-01	-081	01	TA4091D0607	32-41-00-05	-112	02
S4417-6	11-PP-22-01	-075	01	TA4091D0612	32-41-00-04	-030	02
S4417-7	11-PP-23-01	-001	01	TA71000565	36-10-00-01	-048	02
S4417-8	11-PP-26-01	-001	01	TA713D006CR	27-70-00-01	-009	01
S4417-9	11-PP-27-01	-001	01	TA713SC02TF	32-30-00-04	-047	01
S4421-1	52-10-01-01	-186A	01	TC	11-00-00-01	-111	AR
S4421-2	52-10-01-01	-189A	01	TF	11-00-00-01	-045	AR
S4439-1	11-VH-31-01	-001	01	TG	11-00-00-01	-038	AR
S4441-1	11-N-22-04	-003A	01	TI	11-00-00-01	-025	AR
S4RS2B	32-41-00-01	-030	04	TIL100-02	33-40-00-03	-001	01
S4RS2B	32-41-00-01	-158	01	TIL100-02	33-40-00-03	-002	01
S5	11-00-00-01	-103	AR	TRA815	52-10-00-03	-076	07
S600-1-4RS	32-41-00-01	-157	01	TRAB24/49003P	31-30-01-01	-009	01
S65-247-38	34-35-00-01	-001	01	TRAB24/49003P	31-30-01-01	-010	01
S67-1575-165	34-44-01-01	-001	01	TRAB24/49003P	34-44-01-01	-009	01
S67-2002	34-40-00-01	-005	02	TXT898-004	34-50-00-01	-010	01
S72-1735-26	34-46-00-02	-007	01	TXT898-004	34-51-00-01	-003	01
S72-1735-26	34-46-00-02	-008	01	TXT898-010	25-60-00-01	-006	01
S748754	25-20-02-01	-009	AR	TXT898-019	34-50-00-01	-004	01
SAM196-4	25-26-00-02	-005	01	TXT898-019	34-61-05-01	-021	01
SAM196-4	25-30-00-01	-025	02	TXT898-023	34-40-00-01	-007	01
SAM196-4	25-30-00-02	-016	03	TXT898-027	34-46-00-02	-010	01
SAM196-4	25-30-00-03	-081	04	TXT898-034	23-10-01-01	-014	01

CESSNA®  
**MODEL 525 (SERIALS -0685 AND -0800 AND ON)**  
 ILLUSTRATED PARTS CATALOG

PART NUMBER	CH	SEC	SUBJ	FIG	ITEM	REQ	PART NUMBER	CH	SEC	SUBJ	FIG	ITEM	REQ
TXT898-041	34	35	00	01	-002	01	W991-16DE	21	30	00	02	-002	01
TXT898-046	34	30	10	01	-003	01	W991-16DE	30	10	00	01	-005	12
U50-250SS	21	20	01	01	-023	02	W991-24DE	30	40	00	03	-029	09
UG492D/U	25	10	02	02	-016	01	W991-8DE	28	20	00	01	-101	04
UG492D/U	34	61	05	01	-010	04	WIL100-01	33	40	00	04	-003	01
UL26-002VSP1	25	20	05	01	-151	01	WM203	38	30	00	01	-012	01
UR	11	00	00	01	-112	AR	WP10905	25	20	00	01	-001	01
V3	11	00	00	01	-011	AR	WP81338-2	25	20	00	01	-003	01
VH	11	00	00	01	-005	AR	XA	11	00	00	01	-076	AR
VHF10-829	23	10	01	01	-004	01	XB	11	00	00	01	-077	AR
VHF10-829	23	10	01	01	-008	01	XC	11	00	00	01	-078	AR
VHF10-829	23	10	01	01	-012	01	YR	11	00	00	01	-098	AR
VP-B	11	00	00	01	-012	AR	YV	11	00	00	01	-115	AR
VP-C	11	00	00	01	-021	AR	ZK	11	00	00	01	-083	AR
VP-L	11	00	00	01	-116	AR	ZL	11	00	00	01	-084	AR
VT	11	00	00	01	-046	AR	ZM	11	00	00	01	-085	AR
W922N24DE	30	40	00	03	-079	01	ZP	11	00	00	01	-090	AR
W951-8DE	28	20	00	01	-099	01	ZS	11	00	00	01	-104	AR
W991-08DE	28	20	00	01	-100	04	ZT	11	00	00	01	-105	AR
W991-12DE	28	10	00	01	-011	16	ZU	11	00	00	01	-106	AR

**CHAPTER**

**11**

**PLACARDS  
AND  
MARKINGS**



CESSNA®  
**MODEL 525 (SERIALS -0685 AND -0800 AND ON)**  
 ILLUSTRATED PARTS CATALOG

<b>CHAPTER SECTION SUBJECT</b>		<b>NUMBER OF PAGES</b>	<b>DATE</b>
11 - TITLE			
11 - LIST OF EFFECTIVE PAGES			
11 - RECORD OF TEMPORARY REVISIONS			
11 - TABLE OF CONTENTS			
11-00-00	Figure 01	4	Jun 1/2017
11-9A-28	Figure 01	2	Nov 1/2016
11-9A-38	Figure 01	2	Nov 1/2016
11-C-22	Figure 01	2	Jun 1/2015
11-C-22	Figure 02	2	Jun 1/2015
11-C-23	Figure 01	2	Jun 1/2015
11-C-23	Figure 02	2	Jun 1/2015
11-C-28	Figure 01	2	Jun 1/2015
11-C-28	Figure 02	2	Jun 1/2015
11-C-31	Figure 01	2	Jun 1/2015
11-C-31	Figure 04	2	Jun 1/2015
11-C-31	Figure 05	2	Jun 1/2015
11-C-32	Figure 01	6	Jun 1/2015
11-C-32	Figure 02	2	Jun 1/2015
11-C-32	Figure 04	2	Jun 1/2015
11-C-33	Figure 01	4	Jun 1/2015
11-C-33	Figure 02	2	Jun 1/2015
11-C-38	Figure 01	2	Jun 1/2015
11-C-38	Figure 02	2	Jun 1/2015
11-CR-22	Figure 02	2	Jun 1/2015
11-CR-23	Figure 01	2	Jun 1/2015
11-CR-23	Figure 02	2	Jun 1/2015
11-CR-28	Figure 01	2	Jun 1/2015
11-CR-28	Figure 02	2	Jun 1/2015
11-CR-31	Figure 01	2	Jun 1/2015
11-CR-31	Figure 04	2	Jun 1/2015
11-CR-31	Figure 05	2	Jun 1/2015
11-CR-32	Figure 01	6	Jun 1/2015
11-CR-32	Figure 02	2	Jun 1/2015
11-CR-32	Figure 04	2	Jun 1/2015
11-CR-33	Figure 01	4	Jun 1/2015
11-CR-33	Figure 02	2	Jun 1/2015
11-CR-38	Figure 01	2	Jun 1/2015
11-CR-38	Figure 02	2	Jun 1/2015
11-D-22	Figure 02	2	Jun 1/2015
11-D-23	Figure 01	2	Jun 1/2015
11-D-23	Figure 02	2	Jun 1/2015
11-D-28	Figure 01	2	Jun 1/2015
11-D-28	Figure 02	2	Jun 1/2015
11-D-31	Figure 04	2	Jun 1/2015
11-D-31	Figure 05	2	Jun 1/2015
11-D-32	Figure 01	6	Jun 1/2015
11-D-32	Figure 02	2	Jun 1/2015
11-D-32	Figure 04	2	Jun 1/2015
11-D-33	Figure 01	4	Jun 1/2015
11-D-33	Figure 02	2	Jun 1/2015
11-D-38	Figure 01	2	Jun 1/2015
11-D-38	Figure 02	2	Jun 1/2015
11-F-22	Figure 02	2	Nov 1/2016
11-F-23	Figure 01	2	Nov 1/2016
11-F-23	Figure 02	2	Nov 1/2016

CESSNA®  
**MODEL 525 (SERIALS -0685 AND -0800 AND ON)**  
 ILLUSTRATED PARTS CATALOG

<b>CHAPTER SECTION SUBJECT</b>		<b>NUMBER OF PAGES</b>	<b>DATE</b>
11-F-28	Figure 01	2	Nov 1/2016
11-F-28	Figure 02	2	Nov 1/2016
11-F-31	Figure 04	2	Nov 1/2016
11-F-31	Figure 05	2	Nov 1/2016
11-F-32	Figure 01	6	Nov 1/2016
11-F-32	Figure 02	2	Nov 1/2016
11-F-32	Figure 04	2	Nov 1/2016
11-F-33	Figure 01	2	Nov 1/2016
11-F-33	Figure 02	2	Nov 1/2016
11-F-38	Figure 01	2	Nov 1/2016
11-F-38	Figure 02	2	Nov 1/2016
11-G-22	Figure 02	2	Jun 1/2015
11-G-23	Figure 01	2	Jun 1/2015
11-G-23	Figure 02	2	Jun 1/2015
11-G-28	Figure 01	2	Jun 1/2015
11-G-28	Figure 02	2	Jun 1/2015
11-G-31	Figure 04	2	Jun 1/2015
11-G-31	Figure 05	2	Jun 1/2015
11-G-32	Figure 01	6	Jun 1/2015
11-G-32	Figure 02	2	Jun 1/2015
11-G-32	Figure 04	2	Jun 1/2015
11-G-33	Figure 01	4	Jun 1/2015
11-G-33	Figure 02	2	Jun 1/2015
11-G-38	Figure 01	4	Jun 1/2015
11-G-38	Figure 02	2	Jun 1/2015
11-HB-22	Figure 02	2	Jun 1/2018
11-HB-23	Figure 01	2	Jun 1/2018
11-HB-23	Figure 02	2	Jun 1/2018
11-HB-28	Figure 01	2	Jun 1/2018
11-HB-28	Figure 02	2	Jun 1/2018
11-HB-31	Figure 04	2	Jun 1/2018
11-HB-31	Figure 05	2	Jun 1/2018
11-HB-32	Figure 01	6	Jun 1/2018
11-HB-32	Figure 02	2	Jun 1/2018
11-HB-32	Figure 04	2	Jun 1/2018
11-HB-33	Figure 01	4	Jun 1/2018
11-HB-33	Figure 02	2	Jun 1/2018
11-HB-38	Figure 01	2	Jun 1/2018
11-HB-38	Figure 02	2	Jun 1/2018
11-HL-22	Figure 02	2	Jun 1/2017
11-HL-23	Figure 01	2	Jun 1/2017
11-HL-23	Figure 02	2	Jun 1/2017
11-HL-28	Figure 01	2	Jun 1/2017
11-HL-28	Figure 02	2	Jun 1/2017
11-HL-31	Figure 04	2	Jun 1/2017
11-HL-31	Figure 05	2	Jun 1/2017
11-HL-32	Figure 01	4	Jun 1/2017
11-HL-32	Figure 02	2	Jun 1/2017
11-HL-32	Figure 04	2	Jun 1/2017
11-HL-33	Figure 01	4	Jun 1/2017
11-HL-33	Figure 02	2	Jun 1/2017
11-HL-38	Figure 01	2	Jun 1/2017
11-HL-38	Figure 02	2	Jun 1/2017
11-I-22	Figure 02	2	Dec 1/2015
11-I-23	Figure 01	2	Dec 1/2015

CESSNA®  
**MODEL 525 (SERIALS -0685 AND -0800 AND ON)**  
 ILLUSTRATED PARTS CATALOG

<b>CHAPTER SECTION SUBJECT</b>		<b>NUMBER OF PAGES</b>	<b>DATE</b>
11-I-23	Figure 02	2	Dec 1/2015
11-I-28	Figure 01	2	Dec 1/2015
11-I-28	Figure 02	2	Dec 1/2015
11-I-31	Figure 04	2	Dec 1/2015
11-I-31	Figure 05	2	Dec 1/2015
11-I-32	Figure 01	6	Dec 1/2015
11-I-32	Figure 02	2	Dec 1/2015
11-I-32	Figure 04	4	Dec 1/2015
11-I-33	Figure 01	4	Dec 1/2015
11-I-33	Figure 02	2	Dec 1/2015
11-I-38	Figure 01	2	Dec 1/2015
11-I-38	Figure 02	2	Dec 1/2015
11-JA-22	Figure 02	2	Nov 1/2016
11-JA-23	Figure 01	2	Nov 1/2016
11-JA-23	Figure 02	2	Nov 1/2016
11-JA-28	Figure 01	2	Nov 1/2016
11-JA-28	Figure 02	2	Nov 1/2016
11-JA-31	Figure 01	2	Nov 1/2016
11-JA-31	Figure 04	2	Nov 1/2016
11-JA-31	Figure 05	2	Nov 1/2016
11-JA-32	Figure 01	6	Nov 1/2016
11-JA-32	Figure 02	2	Nov 1/2016
11-JA-32	Figure 04	2	Nov 1/2016
11-JA-33	Figure 01	4	Nov 1/2016
11-JA-33	Figure 02	2	Nov 1/2016
11-JA-38	Figure 01	2	Nov 1/2016
11-JA-38	Figure 02	2	Nov 1/2016
11-LQ-22	Figure 01	4	Oct 1/2014
11-LQ-23	Figure 01	2	Oct 1/2014
11-LQ-24	Figure 01	2	Oct 1/2014
11-LQ-25	Figure 01	2	Oct 1/2014
11-LQ-26	Figure 01	2	Oct 1/2014
11-LQ-28	Figure 01	2	Oct 1/2014
11-LQ-28	Figure 02	2	Oct 1/2014
11-LQ-32	Figure 01	4	Oct 1/2014
11-LQ-32	Figure 02	4	Oct 1/2014
11-LQ-33	Figure 01	2	Oct 1/2014
11-LQ-38	Figure 01	2	Oct 1/2014
11-LQ-38	Figure 02	2	Oct 1/2014
11-LX-22	Figure 02	2	Nov 1/2016
11-LX-23	Figure 01	2	Jun 1/2015
11-LX-23	Figure 02	2	Jun 1/2015
11-LX-28	Figure 01	2	Jun 1/2015
11-LX-28	Figure 02	2	Jun 1/2015
11-LX-31	Figure 04	2	Jun 1/2015
11-LX-31	Figure 05	2	Jun 1/2015
11-LX-32	Figure 01	6	Jun 1/2015
11-LX-32	Figure 02	2	Jun 1/2015
11-LX-32	Figure 04	2	Jun 1/2015
11-LX-33	Figure 01	4	Jun 1/2015
11-LX-33	Figure 02	2	Jun 1/2015
11-LX-38	Figure 01	4	Jun 1/2015
11-LX-38	Figure 02	2	Jun 1/2015
11-M-22	Figure 02	2	Jun 1/2015
11-M-23	Figure 01	2	Jun 1/2015

CESSNA®  
**MODEL 525 (SERIALS -0685 AND -0800 AND ON)**  
 ILLUSTRATED PARTS CATALOG

<b>CHAPTER SECTION SUBJECT</b>		<b>NUMBER OF PAGES</b>	<b>DATE</b>
11-M-23	Figure 02	2	Jun 1/2015
11-M-28	Figure 01	2	Jun 1/2015
11-M-28	Figure 02	2	Jun 1/2015
11-M-31	Figure 04	2	Jun 1/2015
11-M-31	Figure 05	2	Jun 1/2015
11-M-32	Figure 01	6	Jun 1/2015
11-M-32	Figure 02	2	Jun 1/2015
11-M-32	Figure 04	2	Jun 1/2015
11-M-33	Figure 01	4	Jun 1/2015
11-M-33	Figure 02	2	Jun 1/2015
11-M-38	Figure 01	4	Jun 1/2015
11-M-38	Figure 02	2	Jun 1/2015
11-N-22	Figure 01	4	Jun 1/2015
11-N-22	Figure 02	2	Jun 1/2017
11-N-22	Figure 03	2	Jul 1/2014
11-N-22	Figure 04	4	Dec 1/2015
11-N-23	Figure 01	2	Nov 1/2013
11-N-23	Figure 02	2	Nov 1/2013
11-N-24	Figure 01	2	Nov 1/2013
11-N-25	Figure 01	2	Nov 1/2013
11-N-25	Figure 02	2	Nov 1/2013
11-N-25	Figure 03	2	Jun 1/2018
11-N-27	Figure 01	4	Nov 1/2013
11-N-27	Figure 02	4	Nov 1/2013
11-N-28	Figure 01	2	Nov 1/2013
11-N-28	Figure 02	2	Nov 1/2013
11-N-31	Figure 01	2	Nov 1/2013
11-N-31	Figure 02	2	Nov 1/2013
11-N-31	Figure 04	2	Jun 1/2015
11-N-31	Figure 05	2	Nov 1/2013
11-N-32	Figure 01	6	Jun 1/2015
11-N-32	Figure 02	2	Nov 1/2013
11-N-32	Figure 04	2	Jul 1/2014
11-N-33	Figure 01	4	Jun 1/2015
11-N-33	Figure 02	2	Jun 1/2015
11-N-38	Figure 01	2	Nov 1/2013
11-N-38	Figure 02	2	Nov 1/2013
11-OK-22	Figure 02	2	Jun 1/2018
11-OK-23	Figure 01	2	Jun 1/2018
11-OK-23	Figure 02	2	Jun 1/2018
11-OK-28	Figure 01	2	Jun 1/2018
11-OK-28	Figure 02	2	Jun 1/2018
11-OK-31	Figure 04	2	Jun 1/2018
11-OK-31	Figure 05	2	Jun 1/2018
11-OK-32	Figure 01	6	Jun 1/2018
11-OK-32	Figure 02	2	Jun 1/2018
11-OK-32	Figure 04	2	Jun 1/2018
11-OK-33	Figure 01	4	Jun 1/2018
11-OK-33	Figure 02	2	Jun 1/2018
11-OK-38	Figure 01	2	Jun 1/2018
11-OK-38	Figure 02	2	Jun 1/2018
11-OY-22	Figure 02	2	Jun 1/2015
11-OY-23	Figure 01	2	Jun 1/2015
11-OY-23	Figure 02	2	Jun 1/2015
11-OY-28	Figure 01	2	Jun 1/2015



CESSNA®  
**MODEL 525 (SERIALS -0685 AND -0800 AND ON)**  
 ILLUSTRATED PARTS CATALOG

<b>CHAPTER SECTION SUBJECT</b>		<b>NUMBER OF PAGES</b>	<b>DATE</b>
11-OY-28	Figure 02	2	Jun 1/2015
11-OY-31	Figure 04	2	Jun 1/2015
11-OY-31	Figure 05	2	Jun 1/2015
11-OY-32	Figure 01	6	Jun 1/2015
11-OY-32	Figure 02	2	Jun 1/2015
11-OY-32	Figure 04	2	Jun 1/2015
11-OY-33	Figure 01	4	Jun 1/2015
11-OY-33	Figure 02	2	Jun 1/2015
11-OY-38	Figure 01	4	Jun 1/2015
11-OY-38	Figure 02	2	Jun 1/2015
11-PP-22	Figure 01	6	Jun 1/2015
11-PP-23	Figure 01	2	Oct 1/2014
11-PP-23	Figure 02	2	Oct 1/2014
11-PP-23	Figure 03	2	Oct 1/2014
11-PP-24	Figure 01	2	Oct 1/2014
11-PP-25	Figure 01	2	Oct 1/2014
11-PP-26	Figure 01	2	Oct 1/2014
11-PP-27	Figure 01	2	Oct 1/2014
11-PP-27	Figure 02	2	Oct 1/2014
11-PP-28	Figure 01	2	Oct 1/2014
11-PP-28	Figure 02	2	Oct 1/2014
11-PP-31	Figure 01	2	Oct 1/2014
11-PP-31	Figure 04	2	Jun 1/2015
11-PP-31	Figure 05	2	Jun 1/2015
11-PP-32	Figure 01	6	Jun 1/2015
11-PP-32	Figure 02	4	Jun 1/2015
11-PP-32	Figure 04	2	Jun 1/2015
11-PP-33	Figure 01	2	Jun 1/2015
11-PP-38	Figure 01	2	Oct 1/2014
11-PP-38	Figure 02	2	Oct 1/2014
11-RP-22	Figure 02	2	Jun 1/2017
11-RP-23	Figure 01	2	Jun 1/2017
11-RP-23	Figure 02	2	Jun 1/2017
11-RP-28	Figure 01	2	Jun 1/2017
11-RP-28	Figure 02	2	Jun 1/2017
11-RP-31	Figure 04	2	Jun 1/2017
11-RP-31	Figure 05	2	Jun 1/2017
11-RP-32	Figure 01	6	Jun 1/2017
11-RP-32	Figure 02	2	Jun 1/2017
11-RP-32	Figure 04	2	Jun 1/2017
11-RP-33	Figure 01	4	Jun 1/2017
11-RP-33	Figure 02	2	Jun 1/2017
11-RP-38	Figure 01	2	Jun 1/2017
11-RP-38	Figure 02	2	Jun 1/2017
11-RS-22	Figure 01	2	Nov 1/2016
11-RS-23	Figure 01	2	Nov 1/2016
11-RS-23	Figure 02	2	Nov 1/2016
11-RS-28	Figure 01	2	Nov 1/2016
11-RS-28	Figure 02	2	Nov 1/2016
11-RS-31	Figure 01	2	Nov 1/2016
11-RS-31	Figure 02	2	Nov 1/2016
11-RS-32	Figure 01	4	Nov 1/2016
11-RS-32	Figure 02	2	Nov 1/2016
11-RS-32	Figure 03	2	Nov 1/2016
11-RS-33	Figure 01	4	Nov 1/2016

CESSNA®  
**MODEL 525 (SERIALS -0685 AND -0800 AND ON)**  
 ILLUSTRATED PARTS CATALOG

<b>CHAPTER SECTION SUBJECT</b>		<b>NUMBER OF PAGES</b>	<b>DATE</b>
11-RS-33	Figure 02	2	Nov 1/2016
11-RS-38	Figure 01	2	Nov 1/2016
11-RS-38	Figure 02	2	Nov 1/2016
11-RS-38	Figure 03	2	Nov 1/2016
11-SP-22	Figure 02	2	Jun 1/2017
11-SP-23	Figure 01	2	Jun 1/2017
11-SP-23	Figure 02	2	Jun 1/2017
11-SP-28	Figure 01	2	Jun 1/2017
11-SP-28	Figure 02	2	Jun 1/2017
11-SP-31	Figure 04	2	Jun 1/2017
11-SP-31	Figure 05	2	Jun 1/2017
11-SP-32	Figure 01	4	Jun 1/2017
11-SP-32	Figure 02	2	Jun 1/2017
11-SP-32	Figure 04	2	Jun 1/2017
11-SP-33	Figure 01	2	Jun 1/2017
11-SP-33	Figure 02	2	Jun 1/2017
11-SP-38	Figure 01	2	Jun 1/2017
11-SP-38	Figure 02	2	Jun 1/2017
11-T7-22	Figure 02	2	Jun 1/2015
11-T7-23	Figure 01	2	Jun 1/2015
11-T7-23	Figure 02	2	Jun 1/2015
11-T7-28	Figure 01	2	Jun 1/2015
11-T7-28	Figure 02	2	Jun 1/2015
11-T7-31	Figure 04	2	Jun 1/2015
11-T7-31	Figure 05	2	Jun 1/2015
11-T7-32	Figure 01	6	Jun 1/2015
11-T7-32	Figure 02	2	Jun 1/2015
11-T7-32	Figure 04	2	Jun 1/2015
11-T7-33	Figure 01	4	Jun 1/2015
11-T7-33	Figure 02	2	Jun 1/2015
11-T7-38	Figure 01	2	Jun 1/2017
11-T7-38	Figure 02	2	Jun 1/2015
11-VH-22	Figure 02	2	Jun 1/2015
11-VH-23	Figure 01	2	Jun 1/2015
11-VH-23	Figure 02	2	Jun 1/2015
11-VH-28	Figure 01	2	Jun 1/2015
11-VH-28	Figure 02	2	Jun 1/2015
11-VH-31	Figure 01	2	Jun 1/2015
11-VH-31	Figure 04	2	Jun 1/2015
11-VH-31	Figure 05	2	Jun 1/2015
11-VH-32	Figure 01	6	Jun 1/2015
11-VH-32	Figure 02	2	Jun 1/2015
11-VH-32	Figure 04	2	Jun 1/2015
11-VH-33	Figure 01	4	Jun 1/2015
11-VH-33	Figure 02	2	Jun 1/2015
11-VH-38	Figure 01	2	Jun 1/2015
11-VH-38	Figure 02	2	Jun 1/2015
11-YR-22	Figure 02	2	Dec 1/2017
11-YR-23	Figure 01	2	Dec 1/2017
11-YR-23	Figure 02	2	Dec 1/2017
11-YR-28	Figure 01	2	Dec 1/2017
11-YR-28	Figure 02	2	Dec 1/2017
11-YR-31	Figure 04	2	Dec 1/2017
11-YR-31	Figure 05	2	Dec 1/2017
11-YR-32	Figure 01	4	Dec 1/2017

CESSNA®  
**MODEL 525 (SERIALS -0685 AND -0800 AND ON)**  
ILLUSTRATED PARTS CATALOG

<b>CHAPTER SECTION SUBJECT</b>		<b>NUMBER OF PAGES</b>	<b>DATE</b>
11-YR-32	Figure 02	2	Dec 1/2017
11-YR-32	Figure 04	2	Dec 1/2017
11-YR-33	Figure 01	4	Dec 1/2017
11-YR-33	Figure 02	2	Dec 1/2017
11-YR-38	Figure 01	2	Dec 1/2017
11-YR-38	Figure 02	2	Dec 1/2017







CESSNA®  
**MODEL 525 (SERIALS -0685 AND -0800 AND ON)**  
 ILLUSTRATED PARTS CATALOG

<u>SUBJECT</u>	<u>CHAPTER SECTION SUBJECT</u>	<u>FIGURE</u>	<u>EFFECTIVITY</u>	
			<u>START</u>	<u>END</u>
PLACARD LOCATION	11-00-00	01		
CROATIAN EXTERIOR PLACARDS AND MARKINGS - EMERGENCY EXIT DOOR	11-9A-28	01	0911	& ON
CROATIAN INTERIOR PLACARDS AND MARKINGS-CABIN DOOR	11-9A-38	01	0911	& ON
CANADIAN EXTERIOR PLACARDS AND MARKINGS - TAILCONE	11-C-22	01	0858	& ON
CANADIAN EXTERIOR PLACARDS AND MARKINGS - FUSELAGE	11-C-22	02	0858	& ON
CANADIAN EXTERIOR PLACARDS AND MARKINGS - NOSE BAGGAGE	11-C-23	01	0858	& ON
CANADIAN EXTERIOR PLACARDS AND MARKINGS - AFT BAGGAGE	11-C-23	02	0858	& ON
CANADIAN EXTERIOR PLACARDS AND MARKINGS - CABIN DOOR	11-C-28	01	0858	& ON
CANADIAN EXTERIOR PLACARDS AND MARKINGS - ESCAPE HATCH	11-C-28	02	0858	& ON
CANADIAN INTERIOR PLACARDS AND MARKINGS - INSTRUMENT PANEL	11-C-31	01	0858	& ON
CANADIAN INTERIOR PLACARDS AND MARKINGS - LH CONSOLE	11-C-31	04	0858	& ON
CANADIAN INTERIOR PLACARDS AND MARKINGS - FLIGHT COMPARTMENT	11-C-31	05	0858	& ON
CANADIAN INTERIOR PLACARDS AND MARKINGS - FORWARD CABIN	11-C-32	01	0858	& ON
CANADIAN INTERIOR PLACARDS AND MARKINGS - AFT CABIN	11-C-32	02	0858	& ON
CANADIAN INTERIOR PLACARDS AND MARKINGS - CABIN SEATS	11-C-32	04	0858	& ON
CANADIAN INTERIOR PLACARDS AND MARKINGS - LAVATORY	11-C-33	01	0858	& ON
CANADIAN INTERIOR PLACARDS AND MARKINGS - DIVIDERS	11-C-33	02	0858	& ON
CANADIAN INTERIOR PLACARDS AND MARKINGS - CABIN DOOR	11-C-38	01	0858	& ON
CANADIAN INTERIOR PLACARDS AND MARKINGS - ESCAPE HATCH	11-C-38	02	0858	& ON
PORTUGUESE EXTERIOR PLACARDS AND MARKINGS - FUSELAGE	11-CR-2 2	02	0840	& ON
PORTUGUESE EXTERIOR PLACARDS AND MARKINGS - NOSE BAGGAGE	11-CR-2 3	01	0840	& ON
PORTUGUESE EXTERIOR PLACARDS AND MARKINGS - AFT BAGGAGE	11-CR-2 3	02	0840	& ON
PORTUGUESE EXTERIOR PLACARDS AND MARKINGS - CABIN DOOR	11-CR-2 8	01	0840	& ON
PORTUGUESE EXTERIOR PLACARDS AND MARKINGS - ESCAPE HATCH	11-CR-2 8	02	0840	& ON
PORTUGUESE INTERIOR PLACARDS AND MARKINGS - FLIGHT COMPARTMENT	11-CR-3 1	01	0840	& ON
PORTUGUESE INTERIOR PLACARDS AND MARKINGS - LH CONSOLE	11-CR-3 1	04	0840	& ON
PORTUGUESE INTERIOR PLACARDS AND MARKINGS - FLIGHT COMPARTMENT	11-CR-3 1	05	0840	& ON
PORTUGUESE INTERIOR PLACARDS AND MARKINGS - FORWARD CABIN	11-CR-3 2	01	0840	& ON
PORTUGUESE INTERIOR PLACARDS AND MARKINGS - AFT CABIN	11-CR-3 2	02	0840	& ON

CESSNA®  
**MODEL 525 (SERIALS -0685 AND -0800 AND ON)**  
 ILLUSTRATED PARTS CATALOG

<u>SUBJECT</u>	<u>CHAPTER SECTION SUBJECT</u>	<u>FIGURE</u>	<u>EFFECTIVITY</u>	
			<u>START</u>	<u>END</u>
PORTUGUESE INTERIOR PLACARDS AND MARKINGS - CABIN SEATS	11-CR-3 2	04	0840	& ON
PORTUGUESE INTERIOR PLACARDS AND MARKINGS - LAVATORY	11-CR-3 3	01	0840	& ON
PORTUGUESE INTERIOR PLACARDS AND MARKINGS - DIVIDERS	11-CR-3 3	02	0840	& ON
PORTUGUESE INTERIOR PLACARDS AND MARKINGS - CABIN DOOR	11-CR-3 8	01		
PORTUGUESE INTERIOR PLACARDS AND MARKINGS - ESCAPE HATCH	11-CR-3 8	02	0840	& ON
GERMAN EXTERIOR PLACARDS AND MARKINGS - FUSELAGE	11-D-22	02	0840	& ON
GERMAN EXTERIOR PLACARDS AND MARKINGS - NOSE BAGGAGE	11-D-23	01	0840	& ON
GERMAN EXTERIOR PLACARDS AND MARKINGS - AFT BAGGAGE	11-D-23	02	0840	& ON
GERMAN EXTERIOR PLACARDS AND MARKINGS - CABIN DOOR	11-D-28	01	0840	& ON
GERMAN EXTERIOR PLACARDS AND MARKINGS - ESCAPE HATCH	11-D-28	02	0840	& ON
GERMAN INTERIOR PLACARDS AND MARKINGS - LH CONSOLE	11-D-31	04	0840	& ON
GERMAN INTERIOR PLACARDS AND MARKINGS - FLIGHT COMPARTMENT	11-D-31	05	0840	& ON
GERMAN INTERIOR PLACARDS AND MARKINGS - FORWARD CABIN	11-D-32	01	0840	& ON
GERMAN INTERIOR PLACARDS AND MARKINGS - AFT CABIN	11-D-32	02	0840	& ON
GERMAN INTERIOR PLACARDS AND MARKINGS - CABIN SEATS	11-D-32	04	0840	& ON
GERMAN INTERIOR PLACARDS AND MARKINGS - LAVATORY	11-D-33	01	0840	& ON
GERMAN INTERIOR PLACARDS AND MARKINGS - DIVIDERS	11-D-33	02	0840	& ON
GERMAN INTERIOR PLACARDS AND MARKINGS - CABIN DOOR	11-D-38	01	0840	& ON
GERMAN INTERIOR PLACARDS AND MARKINGS - ESCAPE HATCH	11-D-38	02	0840	& ON
FRENCH EXTERIOR PLACARDS AND MARKINGS - FUSELAGE	11-F-22	02	0918	& ON
FRENCH EXTERIOR PLACARDS AND MARKINGS - NOSE BAGGAGE	11-F-23	01	0918	& ON
FRENCH EXTERIOR PLACARDS AND MARKINGS - AFT BAGGAGE	11-F-23	02	0918	& ON
FRENCH EXTERIOR PLACARDS AND MARKINGS - CABIN DOOR	11-F-28	01	0918	& ON
FRENCH EXTERIOR PLACARDS AND MARKINGS - ESCAPE HATCH	11-F-28	02	0918	& ON
FRENCH INTERIOR PLACARDS AND MARKINGS - LH CONSOLE	11-F-31	04	0918	& ON
FRENCH INTERIOR PLACARDS AND MARKINGS - FLIGHT COMPARTMENT	11-F-31	05	0918	& ON
FRENCH INTERIOR PLACARDS AND MARKINGS - FORWARD CABIN	11-F-32	01	0918	& ON
FRENCH INTERIOR PLACARDS AND MARKINGS - AFT CABIN	11-F-32	02	0918	& ON
FRENCH INTERIOR PLACARDS AND MARKINGS - CABIN SEATS	11-F-32	04	0918	& ON
FRENCH INTERIOR PLACARDS AND MARKINGS - LAVATORY	11-F-33	01	0918	& ON
FRENCH INTERIOR PLACARDS AND MARKINGS - DIVIDERS	11-F-33	02	0918	& ON



CESSNA®  
**MODEL 525 (SERIALS -0685 AND -0800 AND ON)**  
 ILLUSTRATED PARTS CATALOG

<u>SUBJECT</u>	<u>CHAPTER</u>	<u>FIGURE</u>	<u>EFFECTIVITY</u>	
	<u>SECTION</u>		<u>START</u>	<u>END</u>
	<u>SUBJECT</u>			
FRENCH INTERIOR PLACARDS AND MARKINGS - CABIN DOOR	11-F-38	01	0918	& ON
FRENCH INTERIOR PLACARDS AND MARKINGS - ESCAPE HATCH	11-F-38	02	0918	& ON
BRITISH EXTERIOR PLACARDS AND MARKINGS - FUSELAGE	11-G-22	02	0840	& ON
BRITISH EXTERIOR PLACARDS AND MARKINGS - NOSE BAGGAGE	11-G-23	01	0840	& ON
BRITISH EXTERIOR PLACARDS AND MARKINGS - AFT BAGGAGE	11-G-23	02	0840	& ON
BRITISH EXTERIOR PLACARDS AND MARKINGS - CABIN DOOR	11-G-28	01	0840	& ON
BRITISH EXTERIOR PLACARDS AND MARKINGS - ESCAPE HATCH	11-G-28	02	0840	& ON
BRITISH INTERIOR PLACARDS AND MARKINGS - LH CONSOLE	11-G-31	04	0840	& ON
BRITISH INTERIOR PLACARDS AND MARKINGS - FLIGHT COMPARTMENT	11-G-31	05	0840	& ON
BRITISH INTERIOR PLACARDS AND MARKINGS - FORWARD CABIN	11-G-32	01	0840	& ON
BRITISH INTERIOR PLACARDS AND MARKINGS - AFT CABIN	11-G-32	02	0840	& ON
BRITISH INTERIOR PLACARDS AND MARKINGS - CABIN SEATS	11-G-32	04	0840	& ON
BRITISH INTERIOR PLACARDS AND MARKINGS - LAVATORY	11-G-33	01	0840	& ON
BRITISH INTERIOR PLACARDS AND MARKINGS - DIVIDERS	11-G-33	02	0840	& ON
BRITISH INTERIOR PLACARDS AND MARKINGS - CABIN DOOR	11-G-38	01	0851	& ON
BRITISH INTERIOR PLACARDS AND MARKINGS - ESCAPE HATCH	11-G-38	02	0840	& ON
SWISS EXTERIOR PLACARDS AND MARKINGS - FUSELAGE	11-HB-2	2	0979	& ON
SWISS EXTERIOR PLACARDS AND MARKINGS - NOSE BAGGAGE	11-HB-2	3	0979	& ON
SWISS EXTERIOR PLACARDS AND MARKINGS - AFT BAGGAGE	11-HB-2	3	0979	& ON
SWISS EXTERIOR PLACARDS AND MARKINGS - CABIN DOOR	11-HB-2	8	0979	& ON
SWISS EXTERIOR PLACARDS AND MARKINGS - ESCAPE HATCH	11-HB-2	8	0979	& ON
SWISS INTERIOR PLACARDS AND MARKINGS - LH CONSOLE	11-HB-3	1	0979	& ON
SWISS INTERIOR PLACARDS AND MARKINGS - FLIGHT COMPARTMENT	11-HB-3	1	0979	& ON
SWISS INTERIOR PLACARDS AND MARKINGS - FORWARD CABIN	11-HB-3	2	0979	& ON
SWISS INTERIOR PLACARDS AND MARKINGS - AFT CABIN	11-HB-3	2	0979	& ON
SWISS INTERIOR PLACARDS AND MARKINGS - CABIN SEATS	11-HB-3	2	0979	& ON
SWISS INTERIOR PLACARDS AND MARKINGS - LAVATORY	11-HB-3	3	0979	& ON
SWISS INTERIOR PLACARDS AND MARKINGS - DIVIDERS	11-HB-3	3	0979	& ON
SWISS INTERIOR PLACARDS AND MARKINGS - CABIN DOOR	11-HB-3	8	0979	& ON
SWISS INTERIOR PLACARDS AND MARKINGS - ESCAPE HATCH	11-HB-3	8	0979	& ON

CESSNA®  
**MODEL 525 (SERIALS -0685 AND -0800 AND ON)**  
 ILLUSTRATED PARTS CATALOG

<u>SUBJECT</u>	<u>CHAPTER SECTION SUBJECT</u>	<u>FIGURE</u>	<u>EFFECTIVITY</u>	
			<u>START</u>	<u>END</u>
REPUBLIC OF KOREA EXTERIOR PLACARDS AND MARKINGS - FUSELAGE	11-HL-22	02	0940	& ON
REPUBLIC OF KOREA EXTERIOR PLACARDS AND MARKINGS - NOSE BAGGAGE	11-HL-23	01	0940	& ON
REPUBLIC OF KOREA EXTERIOR PLACARDS AND MARKINGS - AFT BAGGAGE	11-HL-23	02	0940	& ON
REPUBLIC OF KOREA EXTERIOR PLACARDS AND MARKINGS - CABIN DOOR	11-HL-28	01	0940	& ON
REPUBLIC OF KOREA EXTERIOR PLACARDS AND MARKINGS - ESCAPE HATCH	11-HL-28	02	0940	& ON
REPUBLIC OF KOREA INTERIOR PLACARDS AND MARKINGS - LH CONSOLE	11-HL-31	04	0940	& ON
REPUBLIC OF KOREA INTERIOR PLACARDS AND MARKINGS - FLIGHT COMPARTMENT	11-HL-31	05	0940	& ON
REPUBLIC OF KOREA INTERIOR PLACARDS AND MARKINGS - FORWARD CABIN	11-HL-32	01	0940	& ON
REPUBLIC OF KOREA INTERIOR PLACARDS AND MARKINGS - AFT CABIN	11-HL-32	02	0940	& ON
REPUBLIC OF KOREA INTERIOR PLACARDS AND MARKINGS - CABIN SEATS	11-HL-32	04	0940	& ON
REPUBLIC OF KOREA INTERIOR PLACARDS AND MARKINGS - LAVATORY	11-HL-33	01	0940	& ON
REPUBLIC OF KOREA INTERIOR PLACARDS AND MARKINGS - DIVIDERS	11-HL-33	02	0940	& ON
REPUBLIC OF KOREA INTERIOR PLACARDS AND MARKINGS - CABIN DOOR	11-HL-38	01	0940	& ON
REPUBLIC OF KOREA INTERIOR PLACARDS AND MARKINGS - ESCAPE HATCH	11-HL-38	02	0940	& ON
ITALIAN EXTERIOR PLACARDS AND MARKINGS - FUSELAGE	11-I-22	02	0840	& ON
ITALIAN EXTERIOR PLACARDS AND MARKINGS - NOSE BAGGAGE	11-I-23	01	0840	& ON
ITALIAN EXTERIOR PLACARDS AND MARKINGS - AFT BAGGAGE	11-I-23	02	0840	& ON
ITALIAN EXTERIOR PLACARDS AND MARKINGS - CABIN DOOR	11-I-28	01	0840	& ON
ITALIAN EXTERIOR PLACARDS AND MARKINGS - ESCAPE HATCH	11-I-28	02		
ITALIAN INTERIOR PLACARDS AND MARKINGS - LH CONSOLE	11-I-31	04	0840	& ON
ITALIAN INTERIOR PLACARDS AND MARKINGS - FLIGHT COMPARTMENT	11-I-31	05	0840	& ON
ITALIAN INTERIOR PLACARDS AND MARKINGS - FORWARD CABIN	11-I-32	01	0840	& ON
ITALIAN INTERIOR PLACARDS AND MARKINGS - AFT CABIN	11-I-32	02	0840	& ON
ITALIAN INTERIOR PLACARDS AND MARKINGS - CABIN SEATS	11-I-32	04	0840	& ON
ITALIAN INTERIOR PLACARDS AND MARKINGS - LAVATORY	11-I-33	01	0840	& ON
ITALIAN INTERIOR PLACARDS AND MARKINGS - DIVIDERS	11-I-33	02	0840	& ON
ITALIAN INTERIOR PLACARDS AND MARKINGS - CABIN DOOR	11-I-38	01	0840	& ON
ITALIAN INTERIOR PLACARDS AND MARKINGS - ESCAPE HATCH	11-I-38	02	0840	& ON
JAPANESE EXTERIOR PLACARDS AND MARKINGS - FUSELAGE	11-JA-22	02	0824	& ON
JAPANESE EXTERIOR PLACARDS AND MARKINGS - NOSE BAGGAGE	11-JA-23	01	0824	& ON
JAPANESE EXTERIOR PLACARDS AND MARKINGS - AFT BAGGAGE	11-JA-23	02	0824	& ON

CESSNA®  
**MODEL 525 (SERIALS -0685 AND -0800 AND ON)**  
 ILLUSTRATED PARTS CATALOG

<u>SUBJECT</u>	<u>CHAPTER SECTION SUBJECT</u>	<u>FIGURE</u>	<u>EFFECTIVITY</u>	
			<u>START</u>	<u>END</u>
JAPANESE EXTERIOR PLACARDS AND MARKINGS - CABIN DOOR	11-JA-28	01	0824	& ON
JAPANESE EXTERIOR PLACARDS AND MARKINGS - ESCAPE HATCH	11-JA-28	02	0824	& ON
JAPANESE INTERIOR PLACARDS AND MARKINGS - INSTRUMENT PANEL	11-JA-31	01	0824	& ON
JAPANESE INTERIOR PLACARDS AND MARKINGS - LH CONSOLE	11-JA-31	04	0824	& ON
JAPANESE INTERIOR PLACARDS AND MARKINGS - FLIGHT COMPARTMENT	11-JA-31	05	0824	& ON
JAPANESE INTERIOR PLACARDS AND MARKINGS - FORWARD CABIN	11-JA-32	01	0824	& ON
JAPANESE INTERIOR PLACARDS AND MARKINGS - AFT CABIN	11-JA-32	02	0824	& ON
JAPANESE INTERIOR PLACARDS AND MARKINGS - CABIN SEATS	11-JA-32	04	0824	& ON
JAPANESE INTERIOR PLACARDS AND MARKINGS - LAVATORY	11-JA-33	01	0824	& ON
JAPANESE INTERIOR PLACARDS AND MARKINGS - DIVIDERS	11-JA-33	02	0824	& ON
JAPANESE INTERIOR PLACARDS AND MARKINGS - CABIN DOOR	11-JA-38	01	0824	& ON
JAPANESE INTERIOR PLACARDS AND MARKINGS - ESCAPE HATCH	11-JA-38	02	0824	& ON
ARGENTINE EXTERIOR PLACARDS AND MARKINGS - FORWARD FUSELAGE	11-LQ-22	01	0833	& ON
ARGENTINE EXTERIOR PLACARDS AND MARKINGS - EMPENNAGE	11-LQ-23	01	0833	& ON
ARGENTINE EXTERIOR PLACARDS AND MARKINGS - NACELLES AND PYLONS	11-LQ-24	01	0833	& ON
ARGENTINE EXTERIOR PLACARDS AND MARKINGS - WINGS	11-LQ-25	01	0833	& ON
ARGENTINE EXTERIOR PLACARDS AND MARKINGS - EMPENNAGE HYDRAULIC	11-LQ-26	01	0833	& ON
ARGENTINE EXTERIOR PLACARDS AND MARKINGS - CABIN DOOR	11-LQ-28	01	0833	& ON
ARGENTINE EXTERIOR PLACARDS AND MARKINGS - ESCAPE HATCH	11-LQ-28	02	0833	& ON
ARGENTINE INTERIOR PLACARDS AND MARKINGS - FORWARD CABIN	11-LQ-32	01	0833	& ON
ARGENTINE INTERIOR PLACARDS AND MARKINGS - AFT CABIN	11-LQ-32	02	0833	& ON
ARGENTINE INTERIOR PLACARDS AND MARKINGS - LAVATORY	11-LQ-33	01	0833	& ON
ARGENTINE INTERIOR PLACARDS AND MARKINGS - CABIN DOOR	11-LQ-38	01	0833	& ON
ARGENTINE INTERIOR PLACARDS AND MARKINGS - ESCAPE HATCH	11-LQ-38	02	0833	& ON
LUXEMBOURG EXTERIOR PLACARDS AND MARKINGS - FUSELAGE	11-LX-22	02	0842	& ON
LUXEMBOURG EXTERIOR PLACARDS AND MARKINGS - NOSE BAGGAGE	11-LX-23	01	0842	& ON
LUXEMBOURG EXTERIOR PLACARDS AND MARKINGS - AFT BAGGAGE	11-LX-23	02	0842	& ON
LUXEMBOURG EXTERIOR PLACARDS AND MARKINGS - CABIN DOOR	11-LX-28	01	0842	& ON
LUXEMBOURG EXTERIOR PLACARDS AND MARKINGS - ESCAPE HATCH	11-LX-28	02	0842	& ON

CESSNA®  
**MODEL 525 (SERIALS -0685 AND -0800 AND ON)**  
 ILLUSTRATED PARTS CATALOG

<u>SUBJECT</u>	<u>CHAPTER SECTION SUBJECT</u>	<u>FIGURE</u>	<u>EFFECTIVITY</u>	
			<u>START</u>	<u>END</u>
LUXEMBOURG INTERIOR PLACARDS AND MARKINGS - LH CONSOLE	11-LX-31	04	0842	& ON
LUXEMBOURG INTERIOR PLACARDS AND MARKINGS - FLIGHT COMPARTMENT	11-LX-31	05	0842	& ON
LUXEMBOURG INTERIOR PLACARDS AND MARKINGS - FORWARD CABIN	11-LX-32	01	0842	& ON
LUXEMBOURG INTERIOR PLACARDS AND MARKINGS - AFT CABIN	11-LX-32	02	0842	& ON
LUXEMBOURG INTERIOR PLACARDS AND MARKINGS - CABIN SEATS	11-LX-32	04	0842	& ON
LUXEMBOURG INTERIOR PLACARDS AND MARKINGS - LAVATORY	11-LX-33	01	0842	& ON
LUXEMBOURG INTERIOR PLACARDS AND MARKINGS - DIVIDERS	11-LX-33	02	0842	& ON
LUXEMBOURG INTERIOR PLACARDS AND MARKINGS - CABIN DOOR	11-LX-38	01	0842	& ON
LUXEMBOURG INTERIOR PLACARDS AND MARKINGS - ESCAPE HATCH	11-LX-38	02	0842	& ON
ISLE OF MAN EXTERIOR PLACARDS AND MARKINGS - FUSELAGE	11-M-22	02	0859	& ON
ISLE OF MAN EXTERIOR PLACARDS AND MARKINGS - NOSE BAGGAGE	11-M-23	01	0859	& ON
ISLE OF MAN EXTERIOR PLACARDS AND MARKINGS - AFT BAGGAGE	11-M-23	02	0859	& ON
ISLE OF MAN EXTERIOR PLACARDS AND MARKINGS - CABIN DOOR	11-M-28	01	0859	& ON
ISLE OF MAN EXTERIOR PLACARDS AND MARKINGS - ESCAPE HATCH	11-M-28	02	0859	& ON
ISLE OF MAN INTERIOR PLACARDS AND MARKINGS - LH CONSOLE	11-M-31	04	0859	& ON
ISLE OF MAN INTERIOR PLACARDS AND MARKINGS - FLIGHT COMPARTMENT	11-M-31	05	0859	& ON
ISLE OF MAN INTERIOR PLACARDS AND MARKINGS - FORWARD CABIN	11-M-32	01	0859	& ON
ISLE OF MAN INTERIOR PLACARDS AND MARKINGS - AFT CABIN	11-M-32	02	0859	& ON
ISLE OF MAN INTERIOR PLACARDS AND MARKINGS - CABIN SEATS	11-M-32	04	0859	& ON
ISLE OF MAN INTERIOR PLACARDS AND MARKINGS - LAVATORY	11-M-33	01	0859	& ON
ISLE OF MAN INTERIOR PLACARDS AND MARKINGS - DIVIDERS	11-M-33	02	0859	& ON
ISLE OF MAN INTERIOR PLACARDS AND MARKINGS - CABIN DOOR	11-M-38	01	0858	& ON
ISLE OF MAN INTERIOR PLACARDS AND MARKINGS - ESCAPE HATCH	11-M-38	02	0859	& ON
U.S. EXTERIOR PLACARDS AND MARKINGS - NOSE	11-N-22	01		
U.S. EXTERIOR PLACARDS AND MARKINGS - FUSELAGE	11-N-22	02		
U.S. EXTERIOR PLACARDS AND MARKINGS - OXYGEN	11-N-22	03		
U.S. EXTERIOR PLACARDS AND MARKINGS - TAILCONE	11-N-22	04		
U.S. EXTERIOR PLACARDS AND MARKINGS - NOSE BAGGAGE	11-N-23	01		
U.S. EXTERIOR PLACARDS AND MARKINGS - AFT BAGGAGE	11-N-23	02		
U.S. EXTERIOR PLACARDS AND MARKINGS - NACELLES AND PYLONS	11-N-24	01		
U.S. EXTERIOR PLACARDS AND MARKINGS - WINGS	11-N-25	01		

CESSNA®  
**MODEL 525 (SERIALS -0685 AND -0800 AND ON)**  
 ILLUSTRATED PARTS CATALOG

<u>SUBJECT</u>	<u>CHAPTER SECTION SUBJECT</u>	<u>FIGURE</u>	<u>EFFECTIVITY</u>	
			<u>START</u>	<u>END</u>
U.S. EXTERIOR PLACARDS AND MARKINGS - FUEL	11-N-25	02		
U.S. EXTERIOR PLACARDS AND MARKINGS - POWER JUNCTION BOX	11-N-25	03		
U.S. EXTERIOR PLACARDS AND MARKINGS - NOSE LANDING GEAR (NLG)	11-N-27	01		
U.S. EXTERIOR PLACARDS AND MARKINGS - MAIN LANDING GEAR (MLG)	11-N-27	02		
U.S. EXTERIOR PLACARDS AND MARKINGS - CABIN DOOR	11-N-28	01		
U.S. EXTERIOR PLACARDS AND MARKINGS - ESCAPE HATCH	11-N-28	02		
U.S. INTERIOR PLACARDS AND MARKINGS - INSTRUMENT PANEL	11-N-31	01		
U.S. INTERIOR PLACARDS AND MARKINGS - PC BOARD	11-N-31	02		
U.S. INTERIOR PLACARDS AND MARKINGS - LH CONSOLE	11-N-31	04		
U.S. INTERIOR PLACARDS AND MARKINGS - FLIGHT COMPARTMENT	11-N-31	05		
U.S. INTERIOR PLACARDS AND MARKINGS - FORWARD CABIN	11-N-32	01		
U.S. INTERIOR PLACARDS AND MARKINGS - AFT CABIN	11-N-32	02		
U.S. INTERIOR PLACARDS AND MARKINGS - CABIN SEATS	11-N-32	04		
U.S. INTERIOR PLACARDS AND MARKINGS - LAVATORY	11-N-33	01		
U.S. INTERIOR PLACARDS AND MARKINGS - DIVIDERS	11-N-33	02		
U.S. INTERIOR PLACARDS AND MARKINGS - CABIN DOOR	11-N-38	01		
U.S. INTERIOR PLACARDS AND MARKINGS - ESCAPE HATCH	11-N-38	02		
CZECH EXTERIOR PLACARDS AND MARKINGS - FUSELAGE	11-OK-2	2	02	0984 & ON
CZECH EXTERIOR PLACARDS AND MARKINGS - NOSE BAGGAGE	11-OK-2	3	01	
CZECH EXTERIOR PLACARDS AND MARKINGS - AFT BAGGAGE	11-OK-2	3	02	
CZECH EXTERIOR PLACARDS AND MARKINGS - CABIN DOOR	11-OK-2	8	01	0984 & ON
CZECH EXTERIOR PLACARDS AND MARKINGS - ESCAPE HATCH	11-OK-2	8	02	0984 & ON
CZECH INTERIOR PLACARDS AND MARKINGS - LH CONSOLE	11-OK-3	1	04	0984 & ON
CZECH INTERIOR PLACARDS AND MARKINGS - FLIGHT COMPARTMENT	11-OK-3	1	05	0984 & ON
CZECH INTERIOR PLACARDS AND MARKINGS - FORWARD CABIN	11-OK-3	2	01	0984 & ON
CZECH INTERIOR PLACARDS AND MARKINGS - AFT CABIN	11-OK-3	2	02	0984 & ON
CZECH INTERIOR PLACARDS AND MARKINGS - CABIN SEATS	11-OK-3	2	04	0984 & ON
CZECH INTERIOR PLACARDS AND MARKINGS - LAVATORY	11-OK-3	3	01	0984 & ON
CZECH INTERIOR PLACARDS AND MARKINGS - DIVIDERS	11-OK-3	3	02	0984 & ON
CZECH INTERIOR PLACARDS AND MARKINGS - CABIN DOOR	11-OK-3	8	01	0984 & ON
CZECH INTERIOR PLACARDS AND MARKINGS - ESCAPE HATCH	11-OK-3	8	02	0984 & ON
DANISH EXTERIOR PLACARDS AND MARKINGS - FUSELAGE	11-OY-2	2	02	0857 & ON
DANISH EXTERIOR PLACARDS AND MARKINGS - NOSE BAGGAGE	11-OY-2	3	01	0857 & ON

CESSNA®  
**MODEL 525 (SERIALS -0685 AND -0800 AND ON)**  
 ILLUSTRATED PARTS CATALOG

<u>SUBJECT</u>	<u>CHAPTER SECTION SUBJECT</u>	<u>FIGURE</u>	<u>EFFECTIVITY</u>	
			<u>START</u>	<u>END</u>
DANISH EXTERIOR PLACARDS AND MARKINGS - AFT BAGGAGE	11-OY-2 3	02	0857	& ON
DANISH EXTERIOR PLACARDS AND MARKINGS - CABIN DOOR	11-OY-2 8	01	0857	& ON
DANISH EXTERIOR PLACARDS AND MARKINGS - ESCAPE HATCH	11-OY-2 8	02	0857	& ON
DANISH INTERIOR PLACARDS AND MARKINGS - LH CONSOLE	11-OY-3 1	04	0857	& ON
DANISH INTERIOR PLACARDS AND MARKINGS - FLIGHT COMPARTMENT	11-OY-3 1	05	0857	& ON
DANISH INTERIOR PLACARDS AND MARKINGS - FORWARD CABIN	11-OY-3 2	01	0857	& ON
DANISH INTERIOR PLACARDS AND MARKINGS - AFT CABIN	11-OY-3 2	02	0857	& ON
DANISH INTERIOR PLACARDS AND MARKINGS - CABIN SEATS	11-OY-3 2	04	0857	& ON
DANISH INTERIOR PLACARDS AND MARKINGS - LAVATORY	11-OY-3 3	01	0857	& ON
DANISH INTERIOR PLACARDS AND MARKINGS - DIVIDERS	11-OY-3 3	02	0857	& ON
DANISH INTERIOR PLACARDS AND MARKINGS - CABIN DOOR	11-OY-3 8	01	0857	& ON
DANISH INTERIOR PLACARDS AND MARKINGS - ESCAPE HATCH	11-OY-3 8	02	0857	& ON
BRAZILIAN EXTERIOR PLACARDS AND MARKINGS - FORWARD FUSELAGE	11-PP-22	01	0841	& ON
BRAZILIAN EXTERIOR PLACARDS AND MARKINGS - EMPENNAGE	11-PP-23	01	0841	& ON
BRAZILIAN EXTERIOR PLACARDS AND MARKINGS - NOSE BAGGAGE	11-PP-23	02	0841	& ON
BRAZILIAN EXTERIOR PLACARDS AND MARKINGS - TAILCONE BAGGAGE	11-PP-23	03	0841	& ON
BRAZILIAN EXTERIOR PLACARDS AND MARKINGS - NACELLES AND PYLONS	11-PP-24	01	0841	& ON
BRAZILIAN EXTERIOR PLACARDS AND MARKINGS - WINGS	11-PP-25	01	0841	& ON
BRAZILIAN EXTERIOR PLACARDS AND MARKINGS - EMPENNAGE HYDRAULIC	11-PP-26	01	0841	& ON
BRAZILIAN EXTERIOR PLACARDS AND MARKINGS - NOSE LANDING GEAR (NLG)	11-PP-27	01	0841	& ON
BRAZILIAN EXTERIOR PLACARDS AND MARKINGS - MAIN LANDING GEAR (MLG)	11-PP-27	02	0841	& ON
BRAZILIAN EXTERIOR PLACARDS AND MARKINGS - CABIN DOOR	11-PP-28	01	0841	& ON
BRAZILIAN EXTERIOR PLACARDS AND MARKINGS - ESCAPE HATCH	11-PP-28	02	0841	& ON
BRAZILIAN INTERIOR PLACARDS AND MARKINGS - FLIGHT COMPARTMENT	11-PP-31	01	0841	& ON
BRAZILIAN INTERIOR PLACARDS AND MARKINGS - LH CONSOLE	11-PP-31	04	0841	& ON
BRAZILIAN INTERIOR PLACARDS AND MARKINGS - FLIGHT COMPARTMENT	11-PP-31	05	0841	& ON
BRAZILIAN INTERIOR PLACARDS AND MARKINGS - FORWARD CABIN	11-PP-32	01	0841	& ON
BRAZILIAN INTERIOR PLACARDS AND MARKINGS - AFT CABIN	11-PP-32	02	0841	& ON

CESSNA®  
**MODEL 525 (SERIALS -0685 AND -0800 AND ON)**  
 ILLUSTRATED PARTS CATALOG

<u>SUBJECT</u>	<u>CHAPTER SECTION SUBJECT</u>	<u>FIGURE</u>	<u>EFFECTIVITY</u>	
			<u>START</u>	<u>END</u>
BRAZILIAN INTERIOR PLACARDS AND MARKINGS - CABIN SEATS	11-PP-32	04	0841	& ON
BRAZILIAN INTERIOR PLACARDS AND MARKINGS - LAVATORY	11-PP-33	01	0841	& ON
BRAZILIAN INTERIOR PLACARDS AND MARKINGS - CABIN DOOR	11-PP-38	01	0841	& ON
BRAZILIAN INTERIOR PLACARDS AND MARKINGS - ESCAPE HATCH	11-PP-38	02	0841	& ON
PHILIPPINE EXTERIOR PLACARDS AND MARKINGS - FUSELAGE	11-RP-2	2	0943	& ON
PHILIPPINE EXTERIOR PLACARDS AND MARKINGS - NOSE BAGGAGE	11-RP-2	3	0943	& ON
PHILIPPINE EXTERIOR PLACARDS AND MARKINGS - AFT BAGGAGE	11-RP-2	3	0943	& ON
PHILIPPINE EXTERIOR PLACARDS AND MARKINGS - CABIN DOOR	11-RP-2	8	0943	& ON
PHILIPPINE EXTERIOR PLACARDS AND MARKINGS - ESCAPE HATCH	11-RP-2	8	0943	& ON
PHILIPPINE INTERIOR PLACARDS AND MARKINGS - LH CONSOLE	11-RP-3	1	0943	& ON
PHILIPPINE INTERIOR PLACARDS AND MARKINGS - FLIGHT COMPARTMENT	11-RP-3	1	0943	& ON
PHILIPPINE INTERIOR PLACARDS AND MARKINGS - FORWARD CABIN	11-RP-3	2	0943	& ON
PHILIPPINE INTERIOR PLACARDS AND MARKINGS - AFT CABIN	11-RP-3	2	0943	& ON
PHILIPPINE INTERIOR PLACARDS AND MARKINGS - CABIN SEATS	11-RP-3	2	0943	& ON
PHILIPPINE INTERIOR PLACARDS AND MARKINGS - LAVATORY	11-RP-3	3	0943	& ON
PHILIPPINE INTERIOR PLACARDS AND MARKINGS - DIVIDERS	11-RP-3	3	0943	& ON
PHILIPPINE INTERIOR PLACARDS AND MARKINGS - CABIN DOOR	11-RP-3	8	0943	& ON
PHILIPPINE INTERIOR PLACARDS AND MARKINGS - ESCAPE HATCH	11-RP-3	8	0943	& ON
SERBIAN EXTERIOR PLACARDS AND MARKINGS - FUSELAGE	11-RS-2	2		
SERBIAN EXTERIOR PLACARDS AND MARKINGS - NOSE BAGGAGE	11-RS-2	3		
SERBIAN EXTERIOR PLACARDS AND MARKINGS - AFT BAGGAGE	11-RS-2	3		
SERBIAN EXTERIOR PLACARDS AND MARKINGS - CABIN DOOR	11-RS-2	8		
SERBIAN EXTERIOR PLACARDS AND MARKINGS - ESCAPE HATCH	11-RS-2	8	0911	& ON
SERBIAN INTERIOR PLACARDS AND MARKINGS - LH CONSOLE	11-RS-3	1		
SERBIAN INTERIOR PLACARDS AND MARKINGS - FLIGHT COMPARTMENT	11-RS-3	1		
SERBIAN INTERIOR PLACARDS AND MARKINGS - FORWARD CABIN	11-RS-3	2		
SERBIAN INTERIOR PLACARDS AND MARKINGS - AFT CABIN	11-RS-3	2		
SERBIAN INTERIOR PLACARDS AND MARKINGS - CABIN SEATS	11-RS-3	2		

CESSNA®  
**MODEL 525 (SERIALS -0685 AND -0800 AND ON)**  
 ILLUSTRATED PARTS CATALOG

<u>SUBJECT</u>	<u>CHAPTER SECTION SUBJECT</u>	<u>FIGURE</u>	<u>EFFECTIVITY</u>	
			<u>START</u>	<u>END</u>
	11-RS-3			
SERBIAN INTERIOR PLACARDS AND MARKINGS - LAVATORY	3	01		
	11-RS-3			
SERBIAN INTERIOR PLACARDS AND MARKINGS - DIVIDERS	3	02		
SERBIAN INTERIOR PLACARDS AND MARKINGS - CABIN DOOR	11-RS-3			
	8	01		
SERBIAN INTERIOR PLACARDS AND MARKINGS - CABIN DOOR	11-RS-3			
	8	02		
SERBIAN INTERIOR PLACARDS AND MARKINGS - ESCAPE HATCH	11-RS-3			
	8	03		
POLISH EXTERIOR PLACARDS AND MARKINGS - FUSELAGE	11-SP-22	02	0929	& ON
POLISH EXTERIOR PLACARDS AND MARKINGS - NOSE BAGGAGE	11-SP-23	01	0929	& ON
POLISH EXTERIOR PLACARDS AND MARKINGS - AFT BAGGAGE	11-SP-23	02	0929	& ON
POLISH EXTERIOR PLACARDS AND MARKINGS - CABIN DOOR	11-SP-28	01	0929	& ON
POLISH EXTERIOR PLACARDS AND MARKINGS - ESCAPE HATCH	11-SP-28	02	0929	& ON
POLISH INTERIOR PLACARDS AND MARKINGS - LH CONSOLE	11-SP-31	04	0929	& ON
POLISH INTERIOR PLACARDS AND MARKINGS - FLIGHT COMPARTMENT	11-SP-31	05	0929	& ON
POLISH INTERIOR PLACARDS AND MARKINGS - FORWARD CABIN	11-SP-32	01	0929	& ON
POLISH INTERIOR PLACARDS AND MARKINGS - AFT CABIN	11-SP-32	02	0929	& ON
POLISH INTERIOR PLACARDS AND MARKINGS - CABIN SEATS	11-SP-32	04	0929	& ON
POLISH INTERIOR PLACARDS AND MARKINGS - LAVATORY	11-SP-33	01	0929	& ON
POLISH INTERIOR PLACARDS AND MARKINGS - DIVIDERS	11-SP-33	02	0929	& ON
POLISH INTERIOR PLACARDS AND MARKINGS - CABIN DOOR	11-SP-38	01	0929	& ON
POLISH INTERIOR PLACARDS AND MARKINGS - ESCAPE HATCH	11-SP-38	02	0929	& ON
SAMMARINESE EXTERIOR PLACARDS AND MARKINGS - FUSELAGE	11-T7-22	02	0851	& ON
SAMMARINESE EXTERIOR PLACARDS AND MARKINGS - NOSE BAGGAGE	11-T7-23	01	0851	& ON
SAMMARINESE EXTERIOR PLACARDS AND MARKINGS - AFT BAGGAGE	11-T7-23	02	0851	& ON
SAMMARINESE EXTERIOR PLACARDS AND MARKINGS - CABIN DOOR	11-T7-28	01	0851	& ON
SAMMARINESE EXTERIOR PLACARDS AND MARKINGS - ESCAPE HATCH	11-T7-28	02	0851	& ON
SAMMARINESE INTERIOR PLACARDS AND MARKINGS - LH CONSOLE	11-T7-31	04	0851	& ON
SAMMARINESE INTERIOR PLACARDS AND MARKINGS - FLIGHT COMPARTMENT	11-T7-31	05	0851	& ON
SAMMARINESE INTERIOR PLACARDS AND MARKINGS - FORWARD CABIN	11-T7-32	01	0851	& ON
SAMMARINESE INTERIOR PLACARDS AND MARKINGS - AFT CABIN	11-T7-32	02	0851	& ON
SAMMARINESE INTERIOR PLACARDS AND MARKINGS - CABIN SEATS	11-T7-32	04	0815	& ON
SAMMARINESE INTERIOR PLACARDS AND MARKINGS - LAVATORY	11-T7-33	01	0851	& ON
SAMMARINESE INTERIOR PLACARDS AND MARKINGS - DIVIDERS	11-T7-33	02	0851	& ON



CESSNA®  
**MODEL 525 (SERIALS -0685 AND -0800 AND ON)**  
 ILLUSTRATED PARTS CATALOG

<u>SUBJECT</u>	<u>CHAPTER SECTION SUBJECT</u>	<u>FIGURE</u>	<u>EFFECTIVITY</u>	
			<u>START</u>	<u>END</u>
SAMMARINESE INTERIOR PLACARDS AND MARKINGS - CABIN DOOR	11-T7-38	01	0851	& ON
SAMMARINESE INTERIOR PLACARDS AND MARKINGS - ESCAPE HATCH	11-T7-38	02	0851	& ON
AUSTRALIAN EXTERIOR PLACARDS AND MARKINGS - FUSELAGE	11-VH-2 2	02	0856	& ON
AUSTRALIAN EXTERIOR PLACARDS AND MARKINGS - NOSE BAGGAGE	11-VH-2 3	01	0856	& ON
AUSTRALIAN EXTERIOR PLACARDS AND MARKINGS - AFT BAGGAGE	11-VH-2 3	02	0856	& ON
AUSTRALIAN EXTERIOR PLACARDS AND MARKINGS - CABIN DOOR	11-VH-2 8	01	0856	& ON
AUSTRALIAN EXTERIOR PLACARDS AND MARKINGS - ESCAPE HATCH	11-VH-2 8	02	0856	& ON
AUSTRALIAN INTERIOR PLACARDS AND MARKINGS - INSTRUMENT PANEL	11-VH-3 1	01	0856	& ON
AUSTRALIAN INTERIOR PLACARDS AND MARKINGS - LH CONSOLE	11-VH-3 1	04	0856	& ON
AUSTRALIAN INTERIOR PLACARDS AND MARKINGS - FLIGHT COMPARTMENT	11-VH-3 1	05	0856	& ON
AUSTRALIAN INTERIOR PLACARDS AND MARKINGS - FORWARD CABIN	11-VH-3 2	01	0856	& ON
AUSTRALIAN INTERIOR PLACARDS AND MARKINGS - AFT CABIN	11-VH-3 2	02	0856	& ON
AUSTRALIAN INTERIOR PLACARDS AND MARKINGS - CABIN SEATS	11-VH-3 2	04	0856	& ON
AUSTRALIAN INTERIOR PLACARDS AND MARKINGS - LAVATORY	11-VH-3 3	01	0856	& ON
AUSTRALIAN INTERIOR PLACARDS AND MARKINGS - DIVIDERS	11-VH-3 3	02	0856	& ON
AUSTRALIAN INTERIOR PLACARDS AND MARKINGS - CABIN DOOR	11-VH-3 8	01	0856	& ON
AUSTRALIAN INTERIOR PLACARDS AND MARKINGS - ESCAPE HATCH	11-VH-3 8	02	0856	& ON
ROMANIAN EXTERIOR PLACARDS AND MARKINGS - FUSELAGE	11-YR-2 2	02	0955	& ON
ROMANIAN EXTERIOR PLACARDS AND MARKINGS - NOSE BAGGAGE	11-YR-2 3	01	0955	& ON
ROMANIAN EXTERIOR PLACARDS AND MARKINGS - AFT BAGGAGE	11-YR-2 3	02	0955	& ON
ROMANIAN EXTERIOR PLACARDS AND MARKINGS - CABIN DOOR	11-YR-2 8	01	0955	& ON
ROMANIAN EXTERIOR PLACARDS AND MARKINGS - ESCAPE HATCH	11-YR-2 8	02	0955	& ON
ROMANIAN INTERIOR PLACARDS AND MARKINGS - LH CONSOLE	11-YR-3 1	04	0955	& ON
ROMANIAN INTERIOR PLACARDS AND MARKINGS - FLIGHT COMPARTMENT	11-YR-3 1	05	0955	& ON
ROMANIAN INTERIOR PLACARDS AND MARKINGS - FORWARD CABIN	11-YR-3 2	01	0955	& ON
ROMANIAN INTERIOR PLACARDS AND MARKINGS - AFT CABIN	11-YR-3 2	02	0955	& ON
ROMANIAN INTERIOR PLACARDS AND MARKINGS - CABIN SEATS	11-YR-3 2	04	0955	& ON

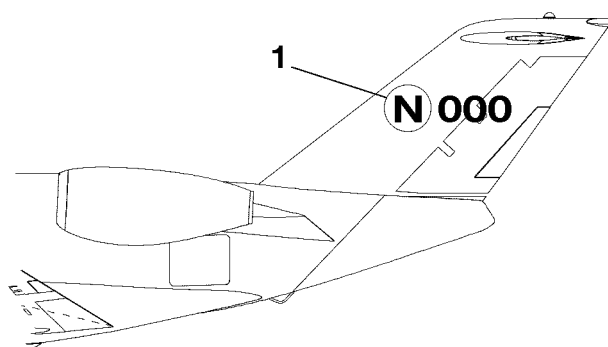
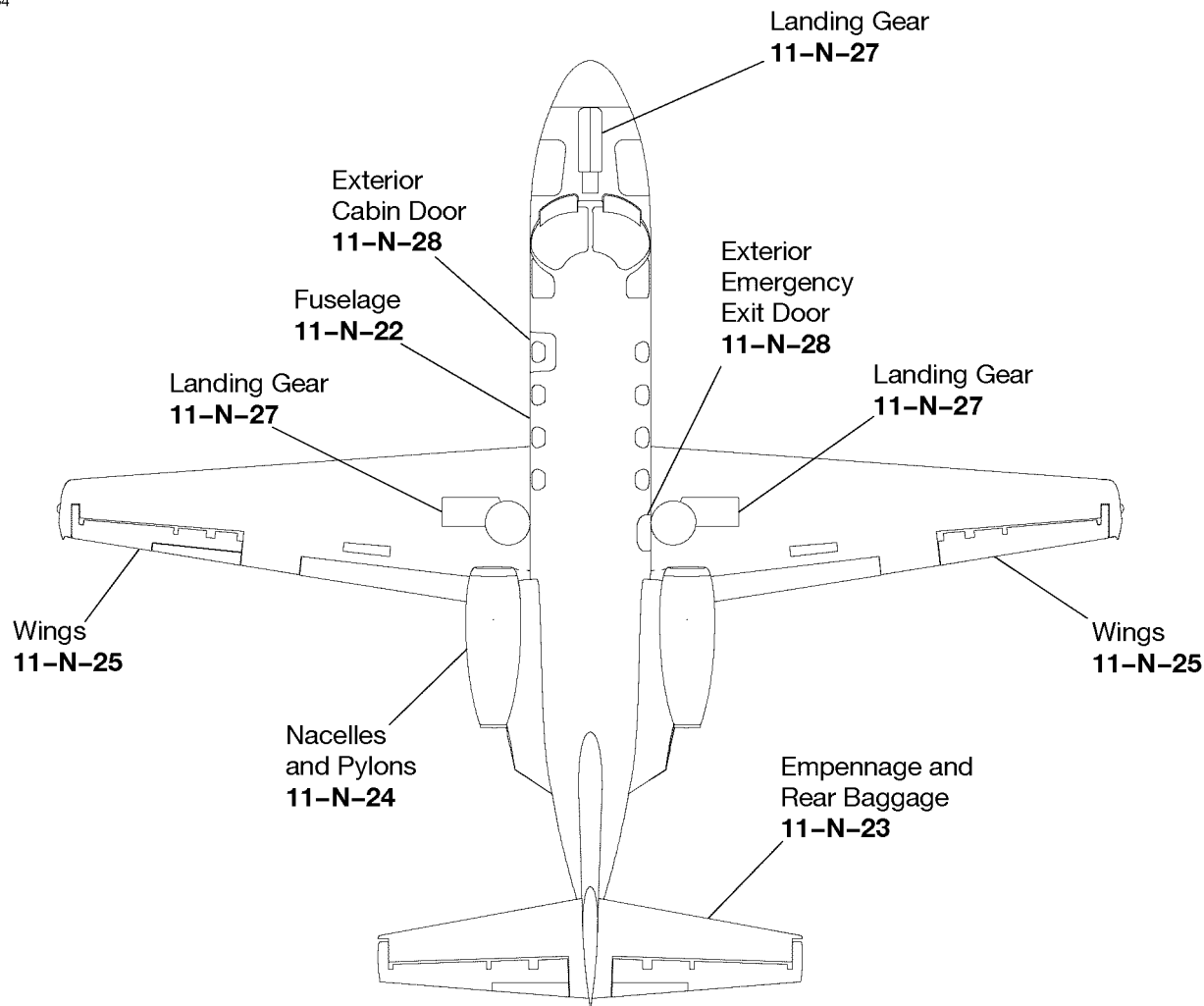
CESSNA®  
**MODEL 525 (SERIALS -0685 AND -0800 AND ON)**  
 ILLUSTRATED PARTS CATALOG

<u>SUBJECT</u>	<u>CHAPTER SECTION SUBJECT</u>	<u>FIGURE</u>	<u>EFFECTIVITY</u>	
			<u>START</u>	<u>END</u>
ROMANIAN INTERIOR PLACARDS AND MARKINGS - LAVATORY	11-YR-3 3	01	0955	& ON
ROMANIAN INTERIOR PLACARDS AND MARKINGS - DIVIDERS	11-YR-3 3	02	0955	& ON
ROMANIAN INTERIOR PLACARDS AND MARKINGS - CABIN DOOR	11-YR-3 8	01	0955	& ON
ROMANIAN INTERIOR PLACARDS AND MARKINGS - ESCAPE HATCH	11-YR-3 8	02	0955	& ON



**CESSNA®  
MODEL 525 (SERIALS -0685 AND -0800 AND ON)  
ILLUSTRATED PARTS CATALOG**

A96294



**Exterior Sections**

ICAO Nationality Marks/Country Designations

**NOTE:** U.S. Shown

6310T1168  
6310T1174

PLACARD LOCATION  
FIGURE 01 (SHEET 1)

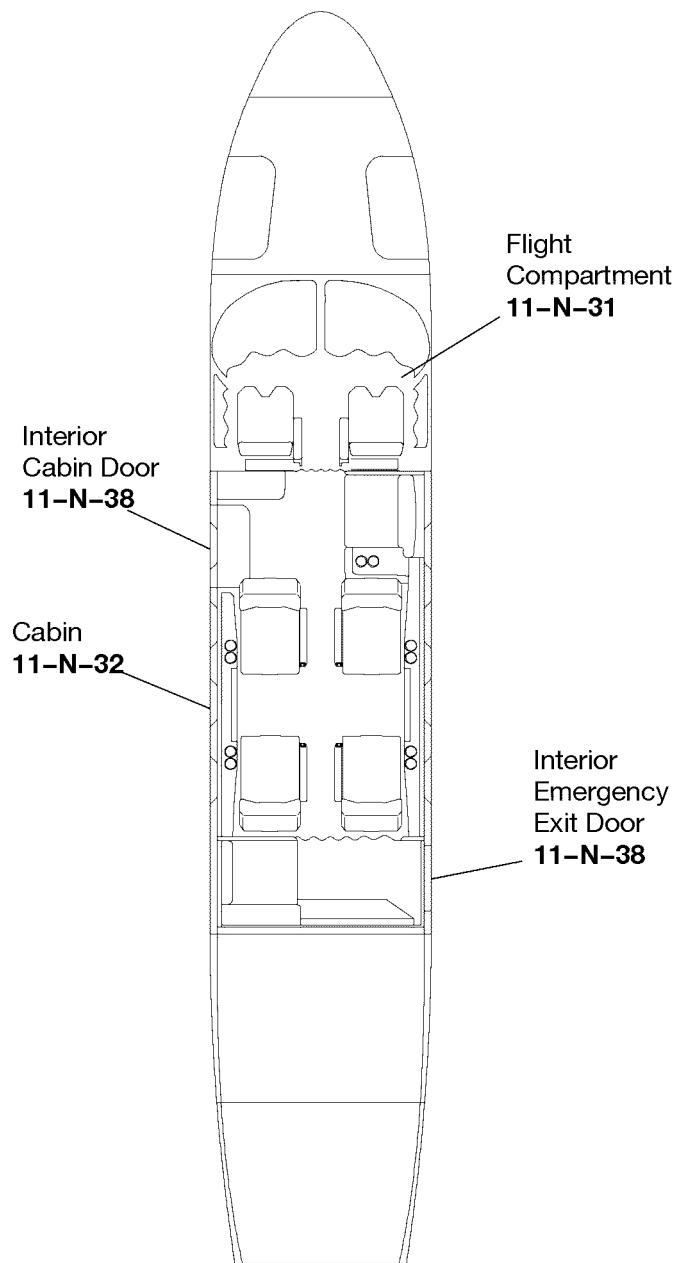
**CESSNA®**  
**MODEL 525 (SERIALS -0685 AND -0800 AND ON)**  
**ILLUSTRATED PARTS CATALOG**

FIG ITEM	PART NUMBER	NOMENCLATURE	UNITS
			PER ASSY
01			
-		PLACARD LOCATION REFER TO NOTE 1	RF
- 1	N	. UNITED STATES-U.S. CERTIFIED AIRPLANES . . . . .	AR
- 2	LQ	. ARGENTINA-ARGENTINE CERTIFIED AIRPLANES . . . . .	AR
- 3	LV	. ARGENTINA-ARGENTINE CERTIFIED AIRPLANES ALT FOR LQ . . . . .	AR
- 4	P4	. ARUBA-ARUBAN CERTIFIED AIRPLANES . . . . .	AR
- 5	VH	. AUSTRALIA-AUSTRALIAN CERTIFIED AIRPLANES . . . . .	AR
- 6	OE	. AUSTRIA-AUSTRIAN CERTIFIED AIRPLANES . . . . .	AR
- 7	C6	. BAHAMAS-BAHAMAN CERTIFIED AIRPLANES . . . . .	AR
- 8	A9C	. BAHRAIN-BAHRAINIAN CERTIFIED AIRPLANES . . . . .	AR
- 9	8P	. BARBADOS-BARBADIAN CERTIFIED AIRPLANES . . . . .	AR
- 10	OO	. BELGIUM-BELGIAN CERTIFIED AIRPLANES . . . . .	AR
- 11	V3	. BELIZE-BELIZE CERTIFIED AIRPLANES . . . . .	AR
- 12	VP-B	. BERMUDA-BERMUDAN CERTIFIED AIRPLANES . . . . .	AR
- 13	T9	. BOSNIA AND HERZEGOVINA-BOSNIAN CERTIFIED AIRPLANES . . . . .	AR
- 14	PP	. BRAZIL-BRAZILIAN CERTIFIED AIRPLANES . . . . .	AR
- 15	PR	. BRAZIL-BRAZILIAN CERTIFIED AIRPLANES ALT FOR PP . . . . .	AR
- 16	PT	. BRAZIL-BRAZILIAN CERTIFIED AIRPLANES ALT FOR PP . . . . .	AR
- 17	PU	. BRAZIL-BRAZILIAN CERTIFIED AIRPLANES ALT FOR PP . . . . .	AR
- 18	LZ	. BULGARIA-BULGARIAN CERTIFIED AIRPLANES . . . . .	AR
- 19	C	. CANADA-CANADIAN CERTIFIED AIRPLANES . . . . .	AR
- 20	CF	. CANADA-CANADIAN CERTIFIED AIRPLANES ALT FOR C . . . . .	AR
- 21	VP-C	. CAYMAN ISLANDS-CAYMAN ISLANDS CERTIFIED AIRPLANES . . . . .	AR
- 22	CC	. CHILE-CHILEAN CERTIFIED AIRPLANES . . . . .	AR
- 23	B	. CHINA-CHINESE CERTIFIED AIRPLANES . . . . .	AR
- 24	HK	. COLOMBIA-COLOMBIAN CERTIFIED AIRPLANES . . . . .	AR
- 25	TI	. COSTA RICA-COSTA RICAN CERTIFIED AIRPLANES . . . . .	AR
- 26	9A	. CROATIA-CROATIAN CERTIFIED AIRPLANES . . . . .	AR
- 27	CU	. CUBA-CUBAN CERTIFIED AIRPLANES . . . . .	AR
- 28	OK	. CZECH REPUBLIC-CZECH CERTIFIED AIRPLANES . . . . .	AR
- 29	OY	. DENMARK-DANISH CERTIFIED AIRPLANES . . . . .	AR
- 30	HI	. DOMINICAN REPUBLIC-DOMINICAN REPUBLICAN CERTIFIED AIRPLANES . . . . .	AR
- 31	SU	. EGYPT-EGYPTIAN CERTIFIED AIRPLANES . . . . .	AR
- 32	ES	. ESTONIA-ESTONIAN CERTIFIED AIRPLANES . . . . .	AR
- 33	DQ	. FIJI-FIJIAN CERTIFIED AIRPLANES . . . . .	AR
- 34	OH	. FINLAND-FINNISH CERTIFIED AIRPLANES . . . . .	AR
- 35	F	. FRANCE-FRENCH CERTIFIED AIRPLANES . . . . .	AR
- 36	D	. GERMANY-GERMAN CERTIFIED AIRPLANES . . . . .	AR
- 37	SX	. GREECE-GREEK CERTIFIED AIRPLANES . . . . .	AR
- 38	TG	. GUATEMALA-GUATEMALAN CERTIFIED AIRPLANES . . . . .	AR
- 39	3X	. GUINEA-GUINEAN CERTIFIED AIRPLANES . . . . .	AR
- 40	HR	. HONDURAS-HONDURAN CERTIFIED AIRPLANES . . . . .	AR
- 41	BH	. HONG KONG-HONG KONGER CERTIFIED AIRPLANES . . . . .	AR
- 42	BK	. HONG KONG-HONG KONGER CERTIFIED AIRPLANES . . . . .	AR
- 43	BL	. HONG KONG-HONG KONGER CERTIFIED AIRPLANES . . . . .	AR
- 44	HA	. HUNGARY-HUNGARIAN CERTIFIED AIRPLANES . . . . .	AR
- 45	TF	. ICELAND-ICELANDIC CERTIFIED AIRPLANES . . . . .	AR
- 46	VT	. INDIA-INDIAN CERTIFIED AIRPLANES . . . . .	AR
- 47	PK	. INDONESIA-INDONESIAN CERTIFIED AIRPLANES . . . . .	AR
- 48	EI	. IRELAND-IRISH CERTIFIED AIRPLANES . . . . .	AR
- 49	EJ	. IRELAND-IRISH CERTIFIED AIRPLANES ALT FOR EI . . . . .	AR
- 50	M	. ISLE OF MAN-ISLE OF MAN CERTIFIED AIRPLANES . . . . .	AR
- 51	4X	. ISRAEL-ISRAELI CERTIFIED AIRPLANES . . . . .	AR
- 52	I	. ITALY-ITALIAN CERTIFIED AIRPLANES . . . . .	AR
- 53	JAA	. JAA-JAA CERTIFIED AIRPLANES . . . . .	AR
- 54	6Y	. JAMAICA-JAMAICAN CERTIFIED AIRPLANES . . . . .	AR
- 55	JA	. JAPAN-JAPANESE CERTIFIED AIRPLANES . . . . .	AR
- 56	JY	. JORDAN-JORDANIAN CERTIFIED AIRPLANES . . . . .	AR
- 57	9K	. KUWAIT-KUWAITI CERTIFIED AIRPLANES . . . . .	AR
- 58	OD	. LEBANON-LEBANESE CERTIFIED AIRPLANES . . . . .	AR
- 59	5A	. LIBYA-LIBYAN CERTIFIED AIRPLANES . . . . .	AR
- 60	HB	. LIECHTENSTEIN-LIECHTENSTEIN CERTIFIED AIRPLANES . . . . .	AR
- 61	LY	. LITHUANIA-LITHUANIAN CERTIFIED AIRPLANES . . . . .	AR
- 62	LX	. LUXEMBOURG-LUXEMBOURG CERTIFIED AIRPLANES . . . . .	AR

NOTE 1—THE COUNTRY DESIGNATIONS OBEY THE STANDARDS OF THE AIRCRAFT NATIONALITY MARKS, ESTABLISHED BY THE INTERNATIONAL CIVIL AVIATION ORGANIZATION (ICAO).

CESSNA®  
**MODEL 525 (SERIALS -0685 AND -0800 AND ON)**  
ILLUSTRATED PARTS CATALOG

A96285



Interior Sections  
ICAO Nationality Marks/Country Designation

**NOTE:** U.S. Shown

6386T1001

PLACARD LOCATION  
FIGURE 01 (SHEET 2)

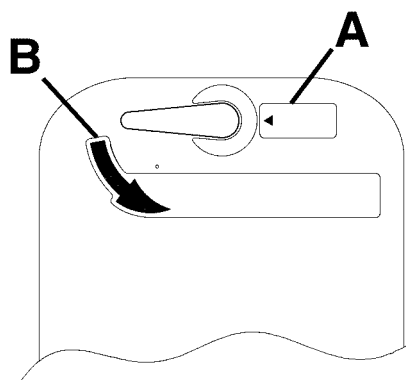
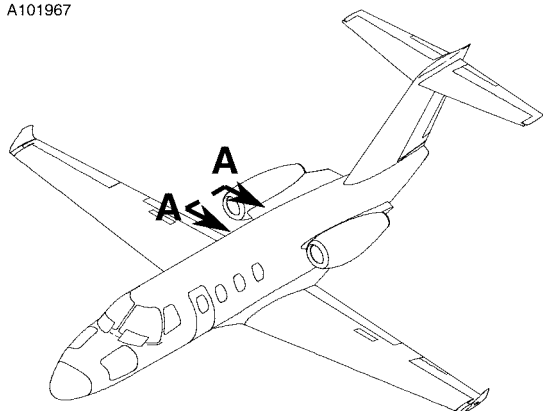
CESSNA®  
**MODEL 525 (SERIALS -0685 AND -0800 AND ON)**  
 ILLUSTRATED PARTS CATALOG

FIG ITEM	PART NUMBER	NOMENCLATURE	UNITS
			PER ASSY
		1 2 3 4 5 6 7	
01			
- 75	9M	. MALAYSIA-MALYSIAN CERTIFIED AIRPLANES . . . . .	AR
- 76	XA	. MEXICO-MEXICAN CERTIFIED AIRPLANES . . . . .	AR
- 77	XB	. MEXICO-MEXICAN CERTIFIED AIRPLANES ALT FOR XA . . . . .	AR
- 78	XC	. MEXICO-MEXICAN CERTIFIED AIRPLANES ALT FOR XA . . . . .	AR
- 79	3A	. MONACO-MONACAN CERTIFIED AIRPLANES . . . . .	AR
- 80	ME	. MONTENEGRO-MONTENEGRIN CERTIFIED AIRPLANES . . . . .	AR
- 81	CN	. MOROCCO-MOROCCAN CERTIFIED AIRPLANES . . . . .	AR
- 82	PH	. NETHERLANDS-NETHERLANDISH CERTIFIED AIRPLANES . . . . .	AR
- 83	ZK	. NEW ZEALAND-NEW ZEALAND CERTIFIED AIRPLANES . . . . .	AR
- 84	ZL	. NEW ZEALAND-NEW ZEALAND CERTIFIED AIRPLANES ALT FOR ZK . . . . .	AR
- 85	ZM	. NEW ZEALAND-NEW ZEALAND CERTIFIED AIRPLANES ALT FOR ZK . . . . .	AR
- 86	5N	. NIGERIA-NIGERIAN CERTIFIED AIRPLANES . . . . .	AR
- 87	LN	. NORWAY-NORWEGIAN CERTIFIED AIRPLANES . . . . .	AR
- 88	AP	. PAKISTAN-PAKISTANI CERTIFIED AIRPLANES . . . . .	AR
- 89	HP	. PANAMA-PANAMANIAN CERTIFIED AIRPLANES . . . . .	AR
- 90	ZP	. PARAGUAY-PARAGUAIAN CERTIFIED AIRPLANES . . . . .	AR
- 91	OB	. PERU-PERUVIAN CERTIFIED AIRPLANES . . . . .	AR
- 92	RP	. PHILIPPINES-PHILIPPINE CERTIFIED AIRPLANES . . . . .	AR
- 93	SP	. POLAND-POLISH CERTIFIED AIRPLANES . . . . .	AR
- 94	CR	. PORTUGAL-PORTUGUESE CERTIFIED AIRPLANES . . . . .	AR
- 95	CS	. PORTUGAL-PORTUGUESE CERTIFIED AIRPLANES ALT FOR CR . . . . .	AR
- 96	A7	. QATAR-QATARI CERTIFIED AIRPLANES . . . . .	AR
- 97	HL	. REPUBLIC OF KOREA-REPUBLIC OF KOREA CERTIFIED AIRPLANES . . . . .	AR R
- 98	YR	. ROMANIA-ROMANIAN CERTIFIED AIRPLANES . . . . .	AR R
- 99	RA	. RUSSIA-RUSSIAN CERTIFIED AIRPLANES . . . . .	AR R
- 100	T7	. SAN MARINO-SAMMARINESE CERTIFIED AIRPLANES . . . . .	AR R
- 101	HZ	. SAUDI ARABIA-SAUDI ARABIAN CERTIFIED AIRPLANES . . . . .	AR R
- 102	RS	. SERBIA-SERBIAN CERTIFIED AIRPLANES . . . . .	AR R
- 103	S5	. SLOVENIA-SLOVENIAN CERTIFIED AIRPLANES . . . . .	AR R
- 104	ZS	. SOUTH AFRICA-SOUTH AFRICAN CERTIFIED AIRPLANES . . . . .	AR R
- 105	ZT	. SOUTH AFRICA-SOUTH AFRICAN CERTIFIED AIRPLANES ALT FOR ZS . . . . .	AR R
- 106	ZU	. SOUTH AFRICA-SOUTH AFRICAN CERTIFIED AIRPLANES ALT FOR ZS . . . . .	AR R
- 107	EC	. SPAIN-SPANISH CERTIFIED AIRPLANES . . . . .	AR R
- 108	SE	. SWEDEN-SWEDISH CERTIFIED AIRPLANES . . . . .	AR R
- 109	HB	. SWITZERLAND-SWISS CERTIFIED AIRPLANES . . . . .	AR R
- 110	HS	. THAILAND-THAI CERTIFIED AIRPLANES . . . . .	AR R
- 111	TC	. TURKEY-TURKISH CERTIFIED AIRPLANES . . . . .	AR R
- 112	UR	. UKRAINE-UKRAINIAN CERTIFIED AIRPLANES . . . . .	AR R
- 113	A6	. UNITED ARAB EMIRATES-EMIRATI CERTIFIED AIRPLANES . . . . .	AR R
- 114	G	. UNITED KINGDOM-BRITISH CERTIFIED AIRPLANES . . . . .	AR R
- 115	YV	. VENEZUELA-VENEZUELAN CERTIFIED AIRPLANES . . . . .	AR R
- 116	VP-L	. VIRGIN ISLANDS-VIRGIN ISLANDS CERTIFIED AIRPLANES . . . . .	AR R

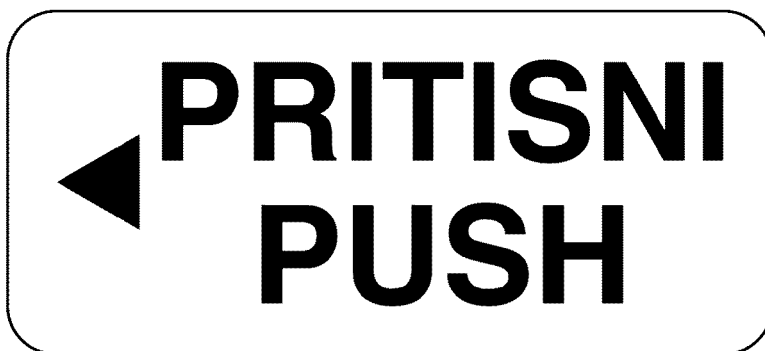
- ITEM NOT ILLUSTRATED

CESSNA®  
MODEL 525 (SERIALS -0685 AND -0800 AND ON)  
ILLUSTRATED PARTS CATALOG

A101967



VIEW A-A



1

▲ DETAIL A



2

▲ DETAIL B

▲ REQUIRED FOR DISPATCH

6310T1168  
AA4311T993  
A4316T020-2  
B4316T020-12

CROATIAN EXTERIOR PLACARDS AND MARKINGS - EMERGENCY EXIT DOOR  
FIGURE 01 (SHEET 1)



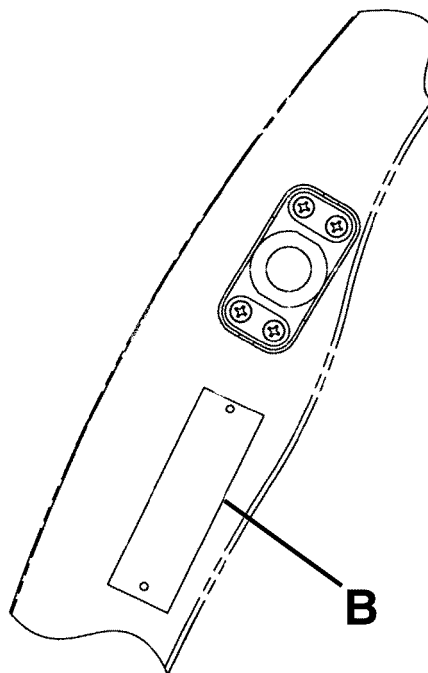
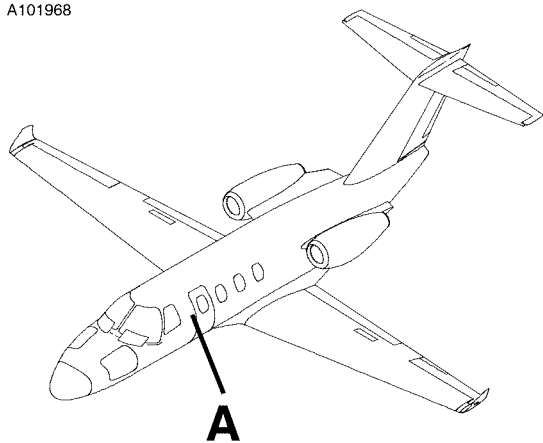
CESSNA®  
**MODEL 525 (SERIALS -0685 AND -0800 AND ON)**  
 ILLUSTRATED PARTS CATALOG

FIG ITEM	PART NUMBER	NOMENCLATURE	UNITS PER ASSY		
			1	2	3
01					
-		GROATIAN EXTERIOR PLACARDS AND MARKINGS - EMERGENCY EXIT DOOR	0911	& ON	RF R
1	4316020-2	. DECAL PUSH . . . . .			01 R
2	4316020-12	. DECAL OPEN . . . . .			01 R

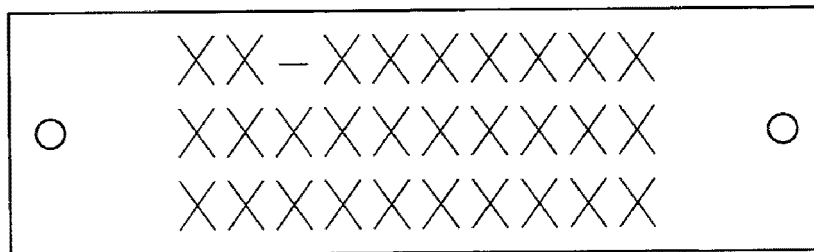
- ITEM NOT ILLUSTRATED

CESSNA®  
MODEL 525 (SERIALS -0685 AND -0800 AND ON)  
ILLUSTRATED PARTS CATALOG

A101968



DETAIL A



1

DETAIL B

6310T1168  
A6590008  
B6590008

CROATIAN INTERIOR PLACARDS AND MARKINGS-CABIN DOOR  
FIGURE 01 (SHEET 1)

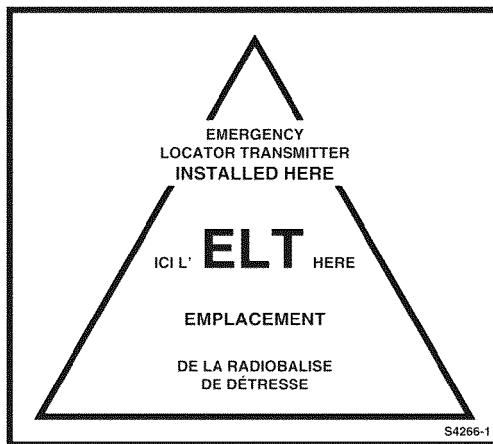
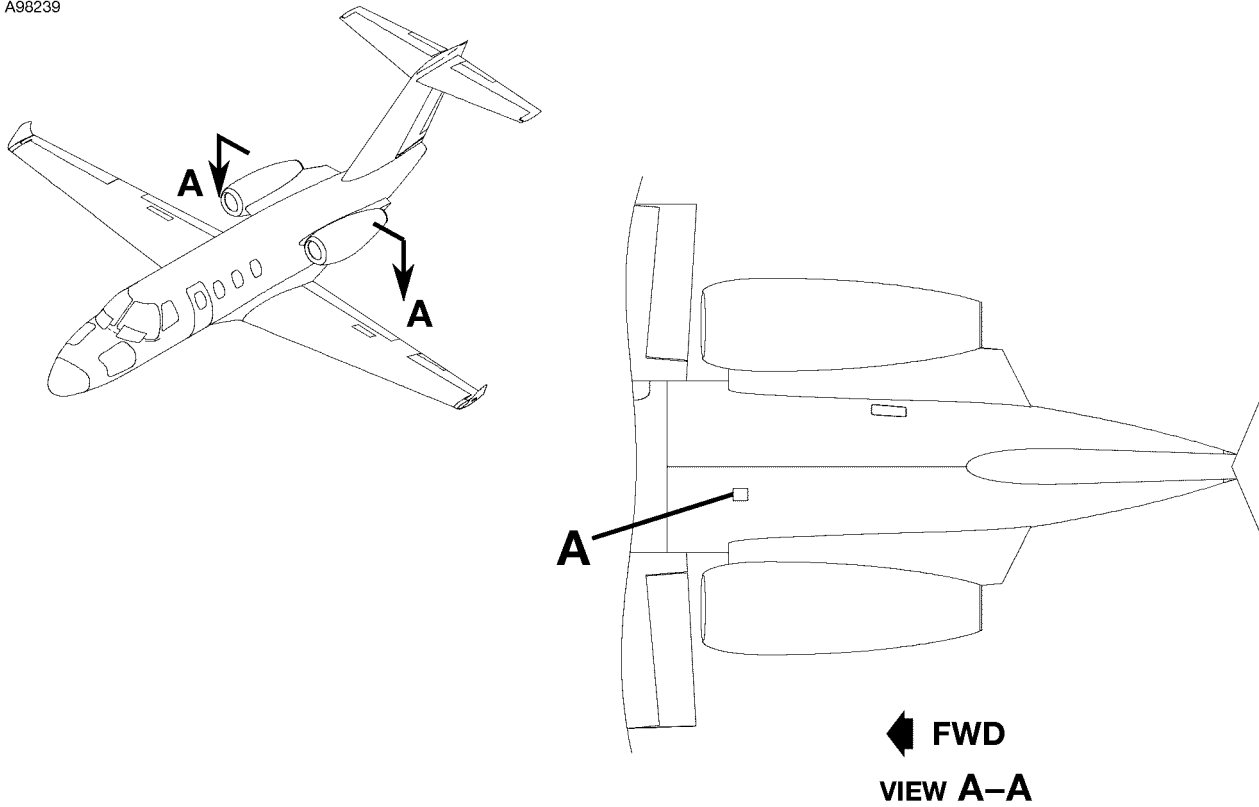
CESSNA®  
**MODEL 525 (SERIALS -0685 AND -0800 AND ON)**  
 ILLUSTRATED PARTS CATALOG

FIG ITEM	PART NUMBER	NOMENCLATURE	UNITS PER ASSY
	1 2 3 4 5 6 7		
01		CROATIAN INTERIOR PLACARDS AND MARKINGS-CABIN DOOR	0911 & ON RF R
-		. CERTIFICATION PLATE REFER TO NOTE 1 . . . . .	01 R
1	6590008-65		

NOTE 1—WHEN ORDERING THIS PART, THE OWNER MUST SEND A NOTARIZED DOCUMENT STATING THE REASON FOR ORDERING A NEW ID PLATE, THE TYPE CERTIFICATE NUMBER, THE PRODUCTION CERTIFICATE NUMBER, THE ID PLATE NUMBER, AND THE MODEL NUMBER. THE OLD ID PLATE FROM THE AIRPLANE SHOULD BE ATTACHED TO THE ORDER, IF AVAILABLE. IF NOT ATTACHED, THE NEW PLATE WILL BE STAMPED DUPLICATE.

CESSNA®  
MODEL 525 (SERIALS -0685 AND -0800 AND ON)  
ILLUSTRATED PARTS CATALOG

A98239



1  
DETAIL A

CANADIAN EXTERIOR PLACARDS AND MARKINGS - TAILCONE  
FIGURE 01 (SHEET 1)

6310T1168  
AA7119T1008  
A7119T1008

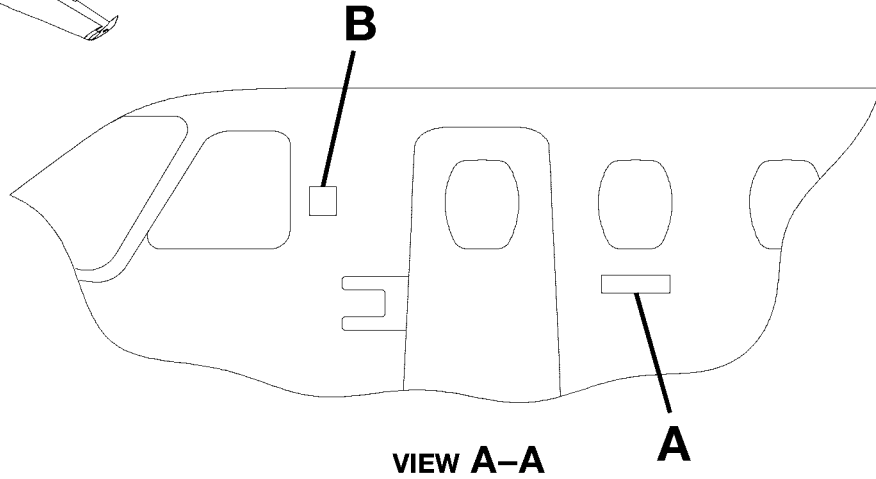
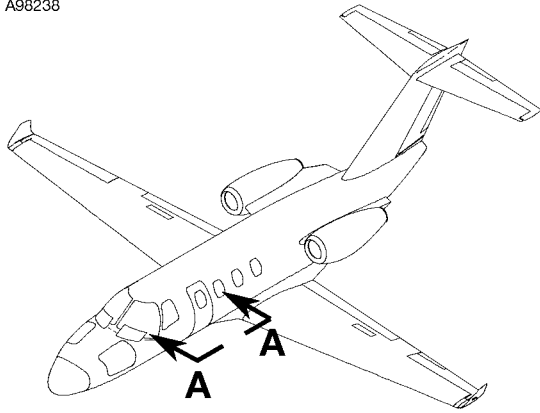
CESSNA®  
**MODEL 525 (SERIALS -0685 AND -0800 AND ON)**  
 ILLUSTRATED PARTS CATALOG

FIG ITEM	PART NUMBER	1 2 3 4 5 6 7	NOMENCLATURE	UNITS PER ASSY		
01						
-			CANADIAN EXTERIOR PLACARDS AND MARKINGS - TAILCONE	0858	& ON	RF R
1	S4266-1		. PLACARD-ELT . . . . .			1 R

- ITEM NOT ILLUSTRATED

CESSNA®  
MODEL 525 (SERIALS -0685 AND -0800 AND ON)  
ILLUSTRATED PARTS CATALOG

A98238



3  
DETAIL B

CITATION  
M2

1  
DETAIL A

6310T1168  
AA6314T1174

CANADIAN EXTERIOR PLACARDS AND MARKINGS - FUSELAGE  
FIGURE 02 (SHEET 1)

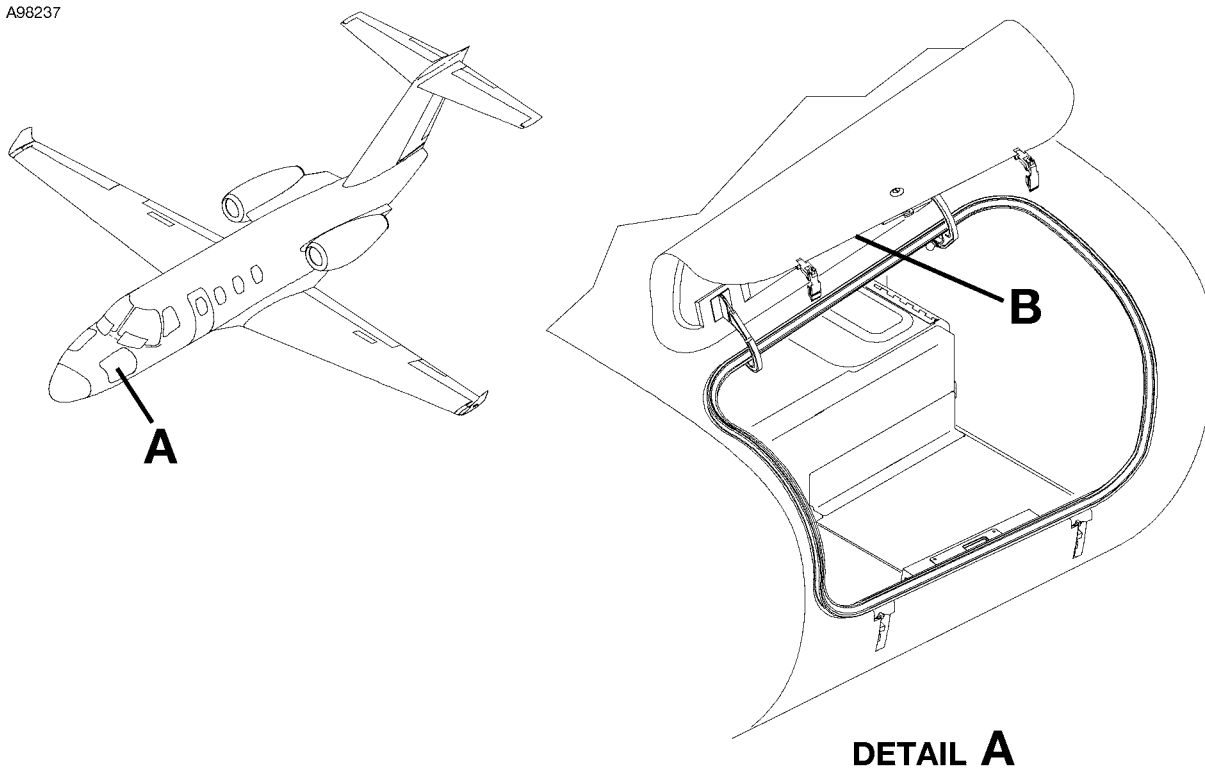
CESSNA®  
**MODEL 525 (SERIALS -0685 AND -0800 AND ON)**  
 ILLUSTRATED PARTS CATALOG

FIG ITEM	PART NUMBER	NOMENCLATURE	UNITS PER ASSY
	1 2 3 4 5 6 7		
02		CANADIAN EXTERIOR PLACARDS AND MARKINGS - FUSELAGE	0858 & ON RF R
-			
- 1	4416001-32	. DECAL-M2 INSIGNIA . . . . .	02 R
- 2	4416001-31	. PAINTMASK-M2 INSIGNIA . . . . .	01 R
- 3	6505010-124	. DECAL-CESSNA LOGO . . . . .	02 R
- 4	6505010-123	. PAINTMASK-CESSNA LOGO . . . . .	01 R

- ITEM NOT ILLUSTRATED

CESSNA®  
MODEL 525 (SERIALS -0685 AND -0800 AND ON)  
ILLUSTRATED PARTS CATALOG

A98237



MAXIMUM WEIGHT ALLOWANCE  
400 LBS (181 KG).  
MAXIMUM FLOOR LOADING  
35 LBS/FT<sup>2</sup> (170 KG/M<sup>2</sup>).  
SEE AFM FOR WEIGHT  
AND BALANCE DATA.

1

▲ DETAIL B

▲ Required for Dispatch

CANADIAN EXTERIOR PLACARDS AND MARKINGS - NOSE BAGGAGE  
FIGURE 01 (SHEET 1)

6310T1168  
A6313T1003



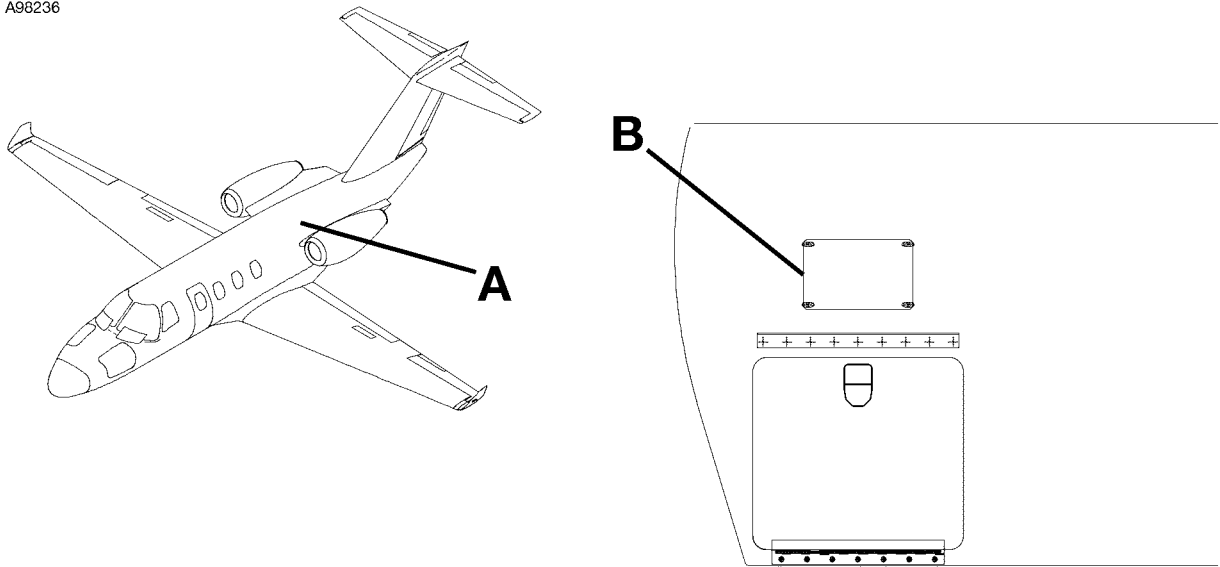
CESSNA®  
**MODEL 525 (SERIALS -0685 AND -0800 AND ON)**  
 ILLUSTRATED PARTS CATALOG

FIG ITEM	PART NUMBER	1 2 3 4 5 6 7	NOMENCLATURE	UNITS PER ASSY		
01						
-			CANADIAN EXTERIOR PLACARDS AND MARKINGS - NOSE BAGGAGE	0858	& ON	RF R
1	4416000-163		. PLACARD-NOSE BAGGAGE WEIGHT . . . . .			02 R

- ITEM NOT ILLUSTRATED

CESSNA®  
**MODEL 525 (SERIALS -0685 AND -0800 AND ON)**  
ILLUSTRATED PARTS CATALOG

A98236



**DETAIL A**

Looking Forward at Left Hand Side Forward Wall

⊕ MAXIMUM WEIGHT ALLOWANCE ⊕  
325 LBS (147 KG).  
MAXIMUM FLOOR LOADING  
100 LBS/FT<sup>2</sup> (488 KG/M<sup>2</sup>).  
SEE AFM FOR WEIGHT AND BALANCE DATA.  
  
SECURE BAGGAGE WITH CARGO NET.  
  
⊕ LATCH ALL DOORS PRIOR TO FLIGHT. ⊕

1

▲ **DETAIL B**

▲ Required for Dispatch

6310T1168  
A6312T1220

CANADIAN EXTERIOR PLACARDS AND MARKINGS - AFT BAGGAGE  
FIGURE 02 (SHEET 1)

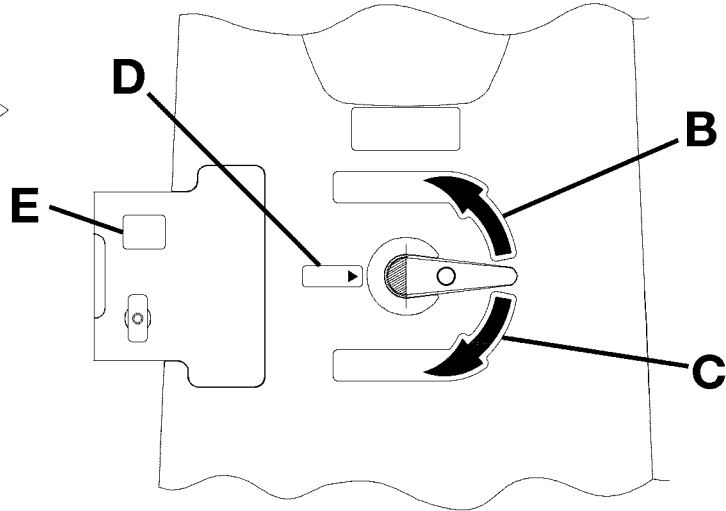
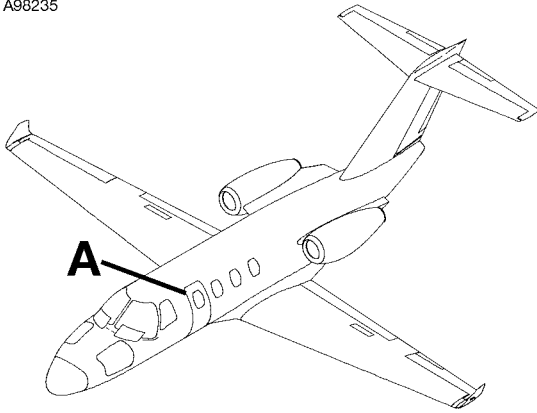
CESSNA®  
**MODEL 525 (SERIALS -0685 AND -0800 AND ON)**  
 ILLUSTRATED PARTS CATALOG

FIG ITEM	PART NUMBER	NOMENCLATURE	UNITS PER ASSY		
			1	2	3
02					
-		CANADIAN EXTERIOR PLACARDS AND MARKINGS - AFT BAGGAGE	0858	& ON	RF R
1	4416004-58	. PLACARD-MAX BAGGAGE WEIGHT 325LB . . . . .			01 R
		ATTACHING PARTS			
- 2	MS35214-14	. SCREW . . . . .			04 R
- 3	MS21069L04	. NUTPLATE . . . . .			04 R
		—*—			

- ITEM NOT ILLUSTRATED

CESSNA®  
**MODEL 525 (SERIALS -0685 AND -0800 AND ON)**  
 ILLUSTRATED PARTS CATALOG

A98235



**DETAIL A**

(View Looking Inboard at Entry Door)

**DOOR CATCH  
 RELEASE INSIDE  
 BEHIND THIS  
 PLACARD. RAISE  
 STEPS BEFORE  
 CLOSING DOOR.**

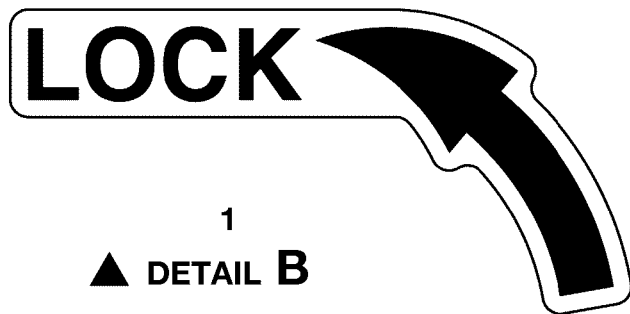
4

**DETAIL E**

**PUSH** ▶

3

▲ **DETAIL D**



▲ Required for Dispatch

6310T1168  
 A6319T1646

CANADIAN EXTERIOR PLACARDS AND MARKINGS - CABIN DOOR  
 FIGURE 01 (SHEET 1)

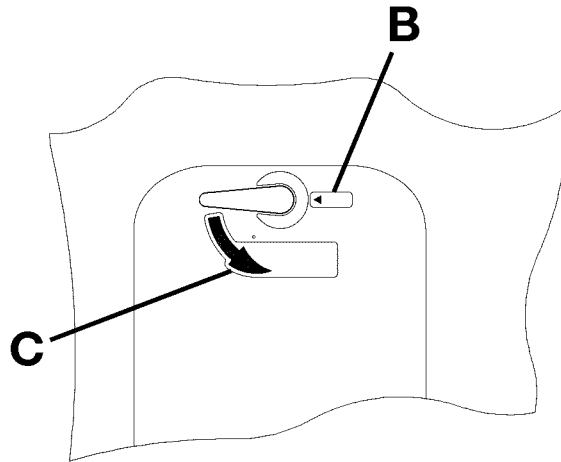
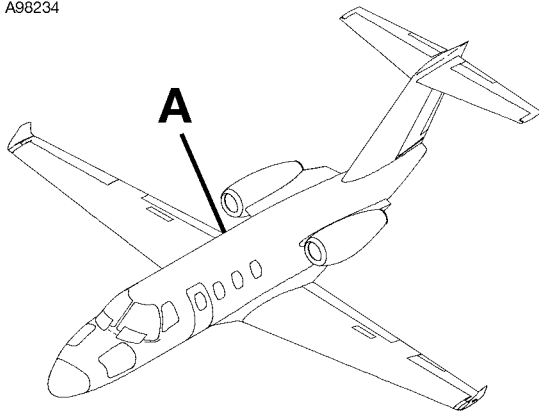
CESSNA®  
**MODEL 525 (SERIALS -0685 AND -0800 AND ON)**  
 ILLUSTRATED PARTS CATALOG

FIG ITEM	PART NUMBER	NOMENCLATURE	UNITS	
			PER	ASSY
01				
-		CANADIAN EXTERIOR PLACARDS AND MARKINGS - CABIN DOOR	0858	& ON RF R
1	4316002-16	. DECAL-CABIN DOOR (LOCK) . . . . .		01 R
2	4316002-17	. DECAL-CABIN DOOR (OPEN) . . . . .		01 R
3	4316002-15	. DECAL-CABIN DOOR (PUSH) . . . . .		01 R
4	4416000-172	. PLACARD-CABIN DOOR PRECATCH HANDLE . . . . .		01 R

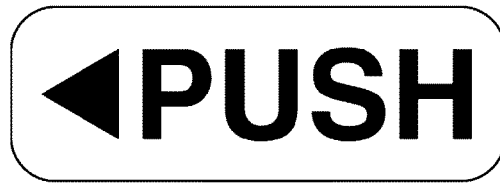
- ITEM NOT ILLUSTRATED

CESSNA®  
MODEL 525 (SERIALS -0685 AND -0800 AND ON)  
ILLUSTRATED PARTS CATALOG

A98234



**DETAIL A**  
Looking Inboard at Escape Hatch



2  
▲ **DETAIL B**



1  
▲ **DETAIL C**

▲ Required for Dispatch

6310T1168  
A4711953-2

CANADIAN EXTERIOR PLACARDS AND MARKINGS - ESCAPE HATCH  
FIGURE 02 (SHEET 1)

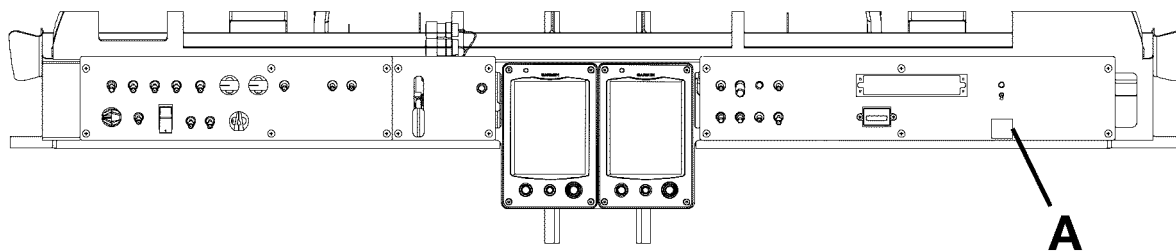
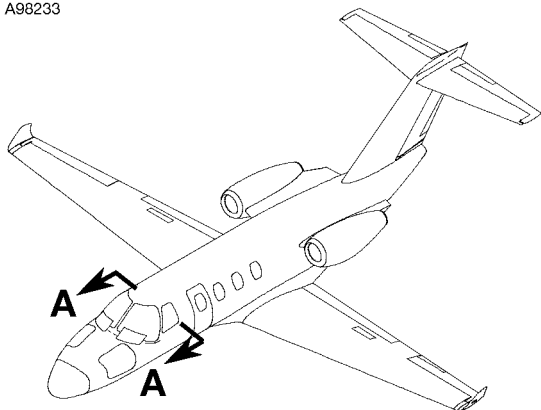
CESSNA®  
**MODEL 525 (SERIALS -0685 AND -0800 AND ON)**  
 ILLUSTRATED PARTS CATALOG

FIG ITEM	PART NUMBER	1 2 3 4 5 6 7	NOMENCLATURE	UNITS PER ASSY		
02						
-			CANADIAN EXTERIOR PLACARDS AND MARKINGS - ESCAPE HATCH	0858	& ON	RF R
1	4316002-1		. DECAL-EMERGENCY EXIT (OPEN) . . . . .			01 R
2	4316002-2		. DECAL-EMERGENCY EXIT (PUSH) . . . . .			01 R

- ITEM NOT ILLUSTRATED

CESSNA®  
MODEL 525 (SERIALS -0685 AND -0800 AND ON)  
ILLUSTRATED PARTS CATALOG

A98233



VIEW A-A

FOR AVIATION  
EMERGENCY  
USE ONLY.  
UNAUTHORIZED  
OPERATION  
PROHIBITED.

S4266-2

1  
DETAIL A

6310T1168  
9102012-2

CANADIAN INTERIOR PLACARDS AND MARKINGS - INSTRUMENT PANEL  
FIGURE 01 (SHEET 1)



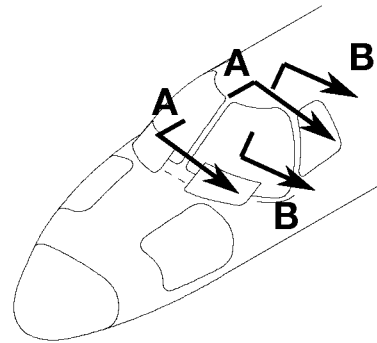
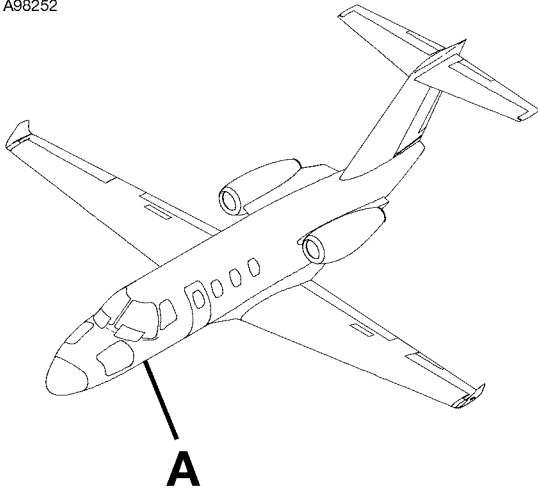
CESSNA®  
**MODEL 525 (SERIALS -0685 AND -0800 AND ON)**  
 ILLUSTRATED PARTS CATALOG

FIG ITEM	PART NUMBER	1 2 3 4 5 6 7	NOMENCLATURE	UNITS PER ASSY		
01			CANADIAN INTERIOR PLACARDS AND MARKINGS - INSTRUMENT PANEL	0858	& ON	RF R
-	S4266-2		. PLACARD-ELT . . . . .			01 R

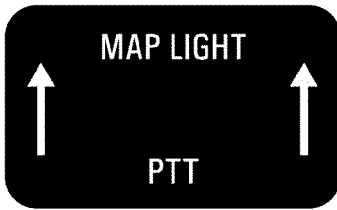
- ITEM NOT ILLUSTRATED

CESSNA®  
**MODEL 525 (SERIALS -0685 AND -0800 AND ON)**  
 ILLUSTRATED PARTS CATALOG

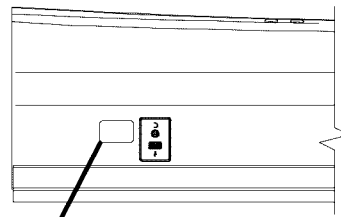
A98252



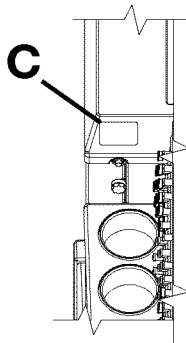
**DETAIL A**



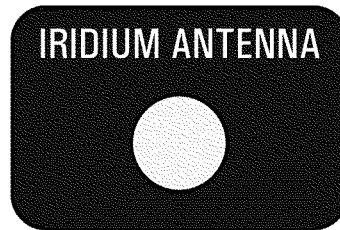
**2**  
**DETAIL C**



**B**  
**VIEW A-A**



**VIEW B-B**  
 View Looking at Left Hand Side Console



**1**  
**DETAIL B**

6310T1168  
 B6310T1168  
 AA6310T1183  
 BB6310T1184

CANADIAN INTERIOR PLACARDS AND MARKINGS - LH CONSOLE  
 FIGURE 04 (SHEET 1)

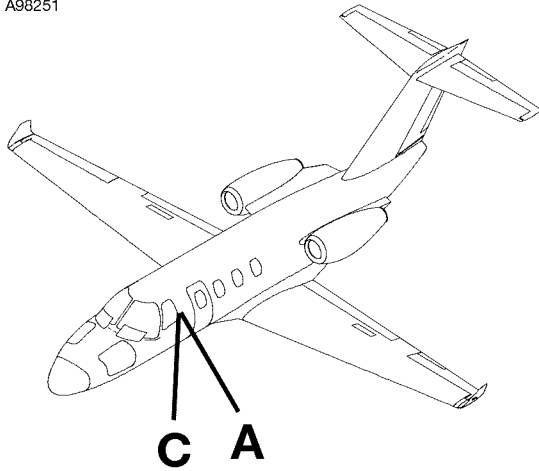
CESSNA®  
**MODEL 525 (SERIALS -0685 AND -0800 AND ON)**  
 ILLUSTRATED PARTS CATALOG

FIG ITEM	PART NUMBER	1 2 3 4 5 6 7	NOMENCLATURE	UNITS PER ASSY
04				
-			CANADIAN INTERIOR PLACARDS AND MARKINGS - LH CONSOLE	0858 & ON RF R
1	4316002-35		. PLACARD-IRIDIUM ANTENNA . . . . .	01 R
2	4316002-38		. PLACARD-MAP LIGHT . . . . .	02 R

- ITEM NOT ILLUSTRATED

CESSNA®  
**MODEL 525 (SERIALS -0685 AND -0800 AND ON)**  
 ILLUSTRATED PARTS CATALOG

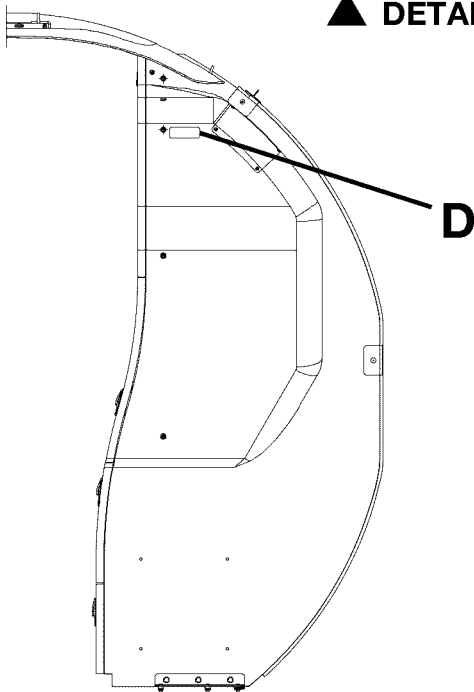
A98251



STOW CURTAIN FOR  
 TAXI, TAKEOFF, AND LANDING.

2

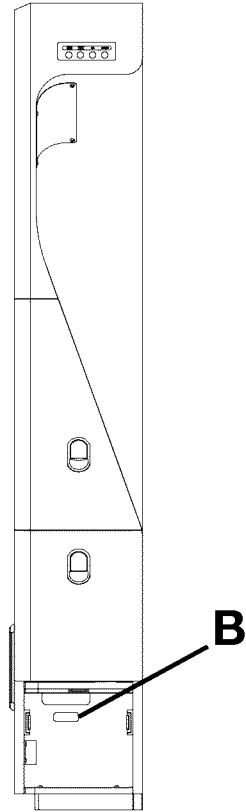
▲ **DETAIL D**



**DETAIL C**

Looking Aft at Left Hand Cabinet Assembly

▲ Required for Dispatch



**DETAIL A**

CABIN BRIEFER  
 PROGRAM LOAD PORT

1

**DETAIL B**

CANADIAN INTERIOR PLACARDS AND MARKINGS - FLIGHT COMPARTMENT  
 FIGURE 05 (SHEET 1)

6310T1168  
 A471T1953  
 C471T1953

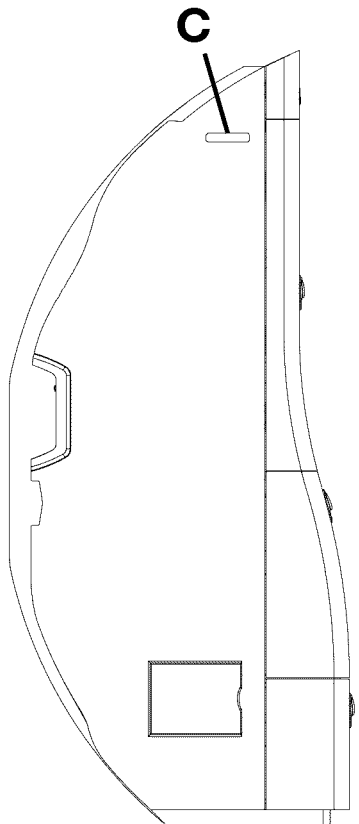
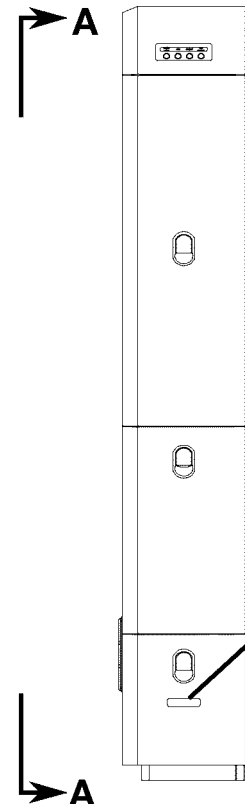
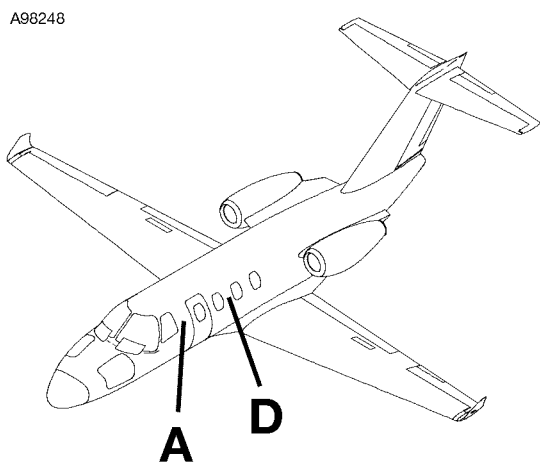
CESSNA®  
**MODEL 525 (SERIALS -0685 AND -0800 AND ON)**  
 ILLUSTRATED PARTS CATALOG

FIG ITEM	PART NUMBER	1 2 3 4 5 6 7	NOMENCLATURE	UNITS PER ASSY		
05			CANADIAN INTERIOR PLACARDS AND MARKINGS - FLIGHT COMPARTMENT	0858	& ON	RF R
-			. PLACARD-CABIN BRIEFER PORT . . . . .			01 R
1	4316002-40		. PLACARD-CURTAIN STOWAGE . . . . .			01 R
2	4316002-8					

- ITEM NOT ILLUSTRATED

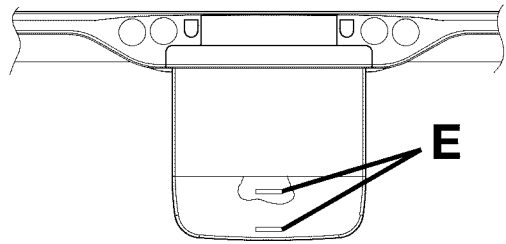
CESSNA®  
**MODEL 525 (SERIALS -0685 AND -0800 AND ON)**  
 ILLUSTRATED PARTS CATALOG

A98248



**STOW FOR TAXI, TAKEOFF, AND LANDING.**

3  
 ▲ **DETAIL E**



**DETAIL D**

Looking Down on Right Hand Side Deployed Table,  
 Left Hand Side Opposite

**DETAIL A**

**VIEW A-A**

**CLOSE ALL CABINET DOORS AND DRAWERS  
 FOR TAXI, TAKEOFF, AND LANDING.**

2  
 ▲ **DETAIL C**

**NO CIGARETTE DISPOSAL;  
 METAL TRASH LINER REQUIRED.**

1  
 ▲ **DETAIL B**

6310T1168  
 A6320T1021  
 AA6320T1021  
 D6320T1021

▲ Required for Dispatch

CANADIAN INTERIOR PLACARDS AND MARKINGS - FORWARD CABIN  
 FIGURE 01 (SHEET 1)

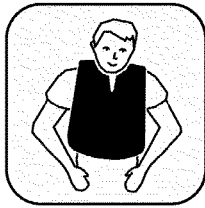
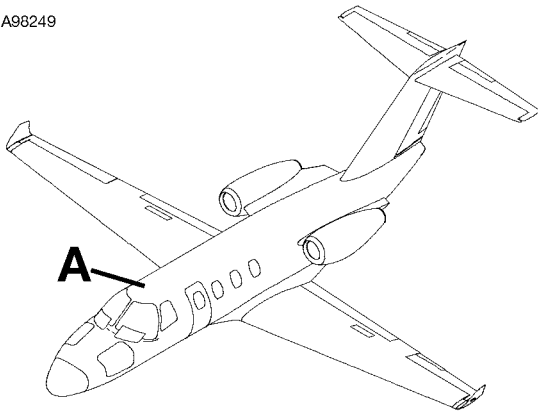
CESSNA®  
**MODEL 525 (SERIALS -0685 AND -0800 AND ON)**  
 ILLUSTRATED PARTS CATALOG

FIG ITEM	PART NUMBER	1 2 3 4 5 6 7	NOMENCLATURE	UNITS PER ASSY
01				
-			CANADIAN INTERIOR PLACARDS AND MARKINGS - FORWARD CABIN	0858 & ON RF R
1	4316002-20		. PLACARD-TRASH CONTAINER . . . . .	01 R
2	4316002-23		. PLACARD-CABINET DOOR INSTRUCTIONS . . . . .	01 R
3	4316002-200		. PLACARD-TABLE INSTRUCTIONS . . . . .	04 R

- ITEM NOT ILLUSTRATED

CESSNA®  
**MODEL 525 (SERIALS -0685 AND -0800 AND ON)**  
 ILLUSTRATED PARTS CATALOG

A98249



79

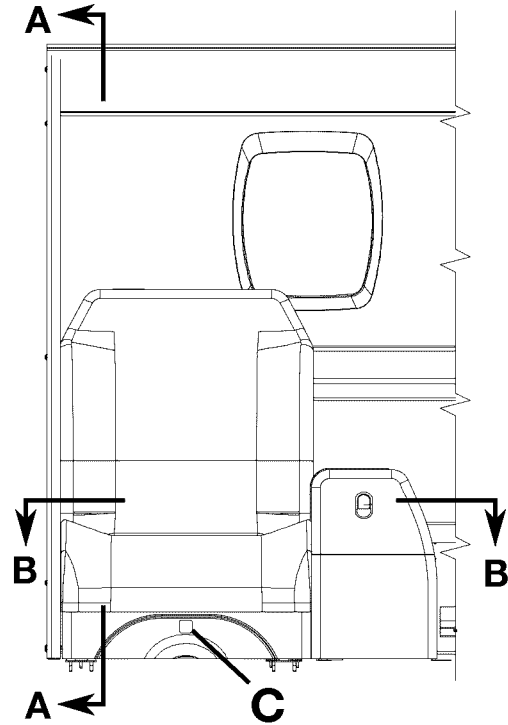
▲ **DETAIL C**

**FASTEN SHOULDER HARNESS FOR TAXI, TAKEOFF, AND LANDING.**



77

**DETAIL D**



**DETAIL A**

Looking Outboard at Side Facing Seat

76

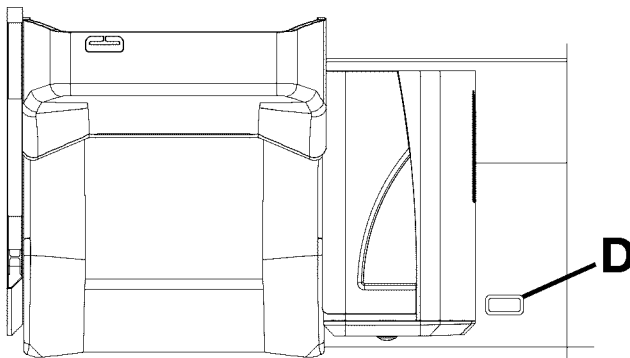
▲ **DETAIL B**

**FASTEN SHOULDER HARNESS FOR TAXI, TAKEOFF, AND LANDING**

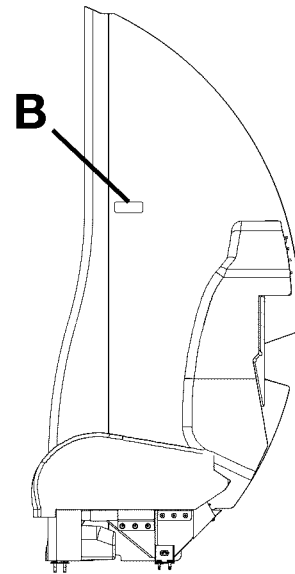
**LIFE VEST IN SEAT BASE.**

75

▲ **DETAIL B**



**VIEW B-B**



**VIEW A-A**

6310T1168  
 A6320T1021  
 AA6320T1021  
 BB6320T1021

▲ Required for Dispatch

CANADIAN INTERIOR PLACARDS AND MARKINGS - FORWARD CABIN  
 FIGURE 01 (SHEET 2)



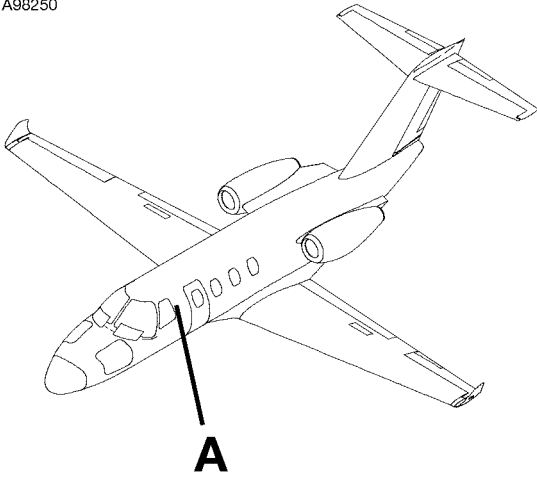
CESSNA®  
**MODEL 525 (SERIALS -0685 AND -0800 AND ON)**  
 ILLUSTRATED PARTS CATALOG

FIG ITEM	PART NUMBER	NOMENCLATURE	UNITS PER ASSY
	1 2 3 4 5 6 7		
01			
75	4316002-21	. PLACARD-SIDE FACING SEAT W/O ARMREST INSTRUCTIONS . . . . .	01 R
76	4316002-44	. PLACARD-SIDE FACING SEAT W/O ARMREST . . . . .	01 R
77	4316002-24	. PLACARD-AIR INLET . . . . .	01 R
- 78	4717018-3	. PLACARD-COVER . . . . .	01 R
79	4316002-32	. PLACARD-LIFE VEST . . . . .	01 R

- ITEM NOT ILLUSTRATED

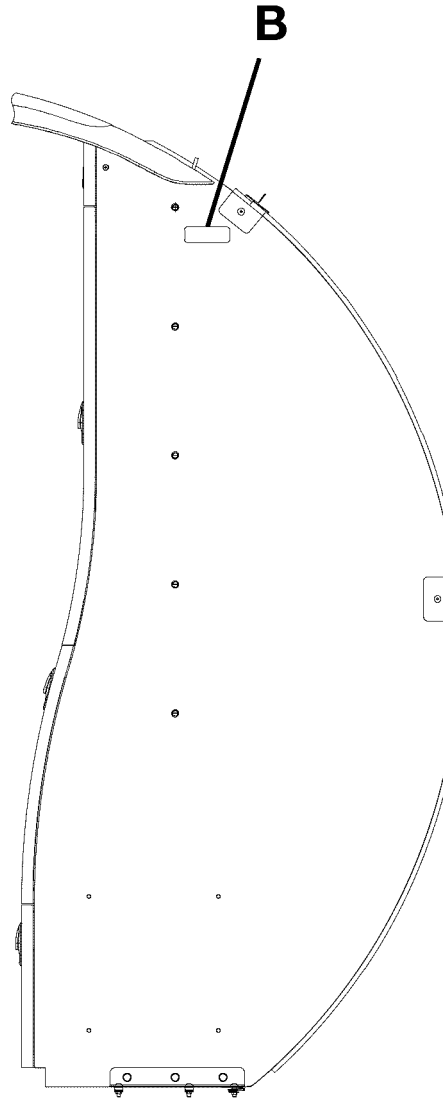
CESSNA®  
MODEL 525 (SERIALS -0685 AND -0800 AND ON)  
ILLUSTRATED PARTS CATALOG

A98250



STOW CURTAIN FOR  
TAXI, TAKEOFF, AND LANDING.

150  
▲ **DETAIL B**



**DETAIL A**  
View Looking Aft at Left Hand Side  
Forward Refreshment Center

▲ Required for Dispatch

6310T1168  
A4711953-25

CANADIAN INTERIOR PLACARDS AND MARKINGS - FORWARD CABIN  
FIGURE 01 (SHEET 3)

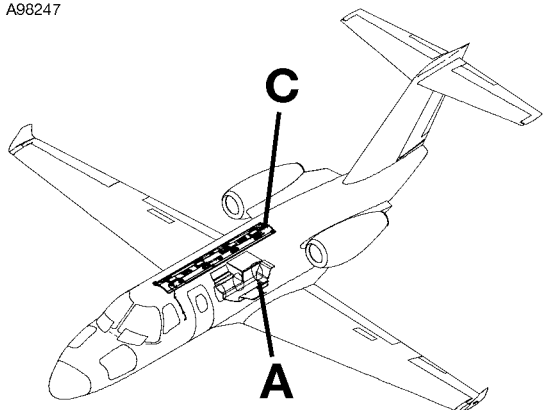
CESSNA®  
**MODEL 525 (SERIALS -0685 AND -0800 AND ON)**  
 ILLUSTRATED PARTS CATALOG

FIG ITEM	PART NUMBER	NOMENCLATURE							UNITS PER ASSY	
		1	2	3	4	5	6	7		
01 150	4316002-8	.							PLACARD-CURTAIN INSTRUCTIONS . . . . .	01 R

- ITEM NOT ILLUSTRATED

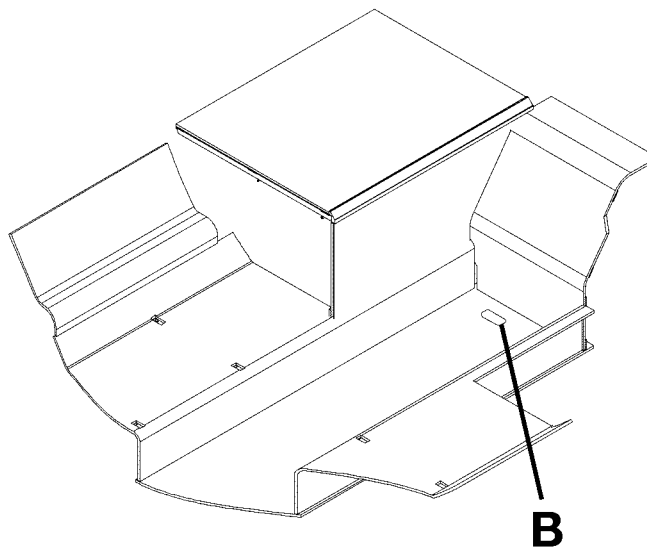
CESSNA®  
**MODEL 525 (SERIALS -0685 AND -0800 AND ON)**  
 ILLUSTRATED PARTS CATALOG

A98247

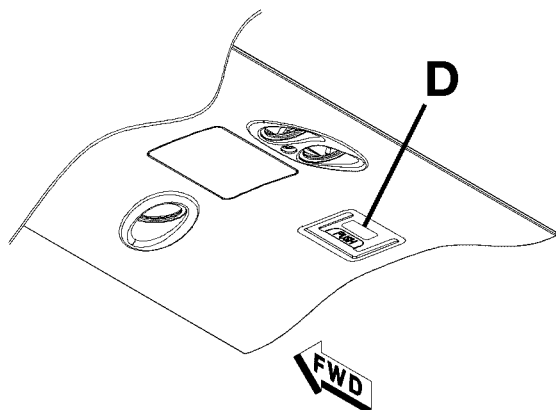


3

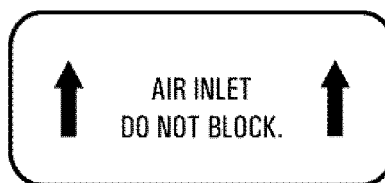
▲ **DETAIL D**



**DETAIL A**



**DETAIL C**



1

**DETAIL B**

▲ Required for Dispatch

CANADIAN INTERIOR PLACARDS AND MARKINGS - AFT CABIN  
 FIGURE 02 (SHEET 1)

6310T1168  
 A6312T1217  
 C6312T1218

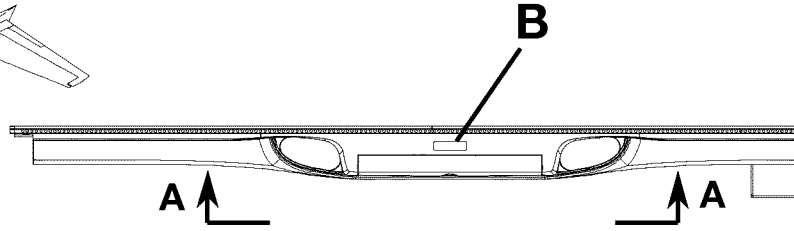
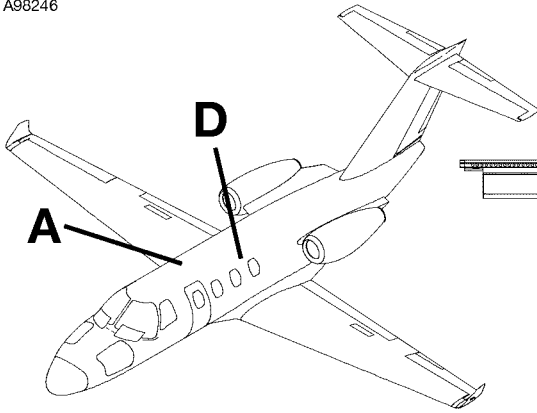
CESSNA®  
**MODEL 525 (SERIALS -0685 AND -0800 AND ON)**  
 ILLUSTRATED PARTS CATALOG

FIG ITEM	PART NUMBER	NOMENCLATURE	UNITS PER ASSY		
			1	2	3
02					
-		CANADIAN INTERIOR PLACARDS AND MARKINGS - AFT CABIN	0858	& ON	RF R
1	4316002-24	. PLACARD-AIR INLET . . . . .			01 R
2	4717018-3	. PLACARD-COVER . . . . .			01 R
3	4316002-34	. PLACARD-COAT ROD . . . . .			01 R

- ITEM NOT ILLUSTRATED

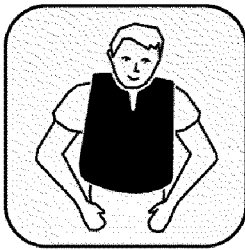
CESSNA®  
**MODEL 525 (SERIALS -0685 AND -0800 AND ON)**  
 ILLUSTRATED PARTS CATALOG

A98246



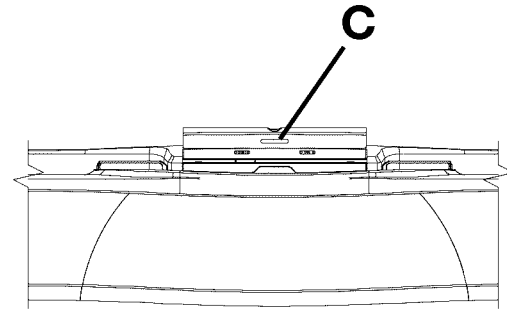
**DETAIL A**

Looking Down on Right Hand Sideledge



3

▲ **DETAIL E**



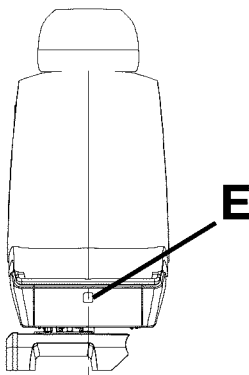
**VIEW A-A**

Table Lid Shown in Upright Position

**FOR TAXI, TAKEOFF, AND LANDING: RAISE SEAT BACK; EXTEND HEADREST; TRACK SEAT TOWARD FRONT OF AIRCRAFT THEN OUTBOARD; FASTEN SHOULDER HARNESS.**

1

▲ **DETAIL B**



**DETAIL D**

**CLOSE LID FOR TAXI, TAKEOFF, AND LANDING.**

2

▲ **DETAIL C**

▲ Required for Dispatch

6310T1168  
 A6319T1647  
 AA6319T1647  
 D6319T1648

CANADIAN INTERIOR PLACARDS AND MARKINGS - CABIN SEATS  
 FIGURE 04 (SHEET 1)

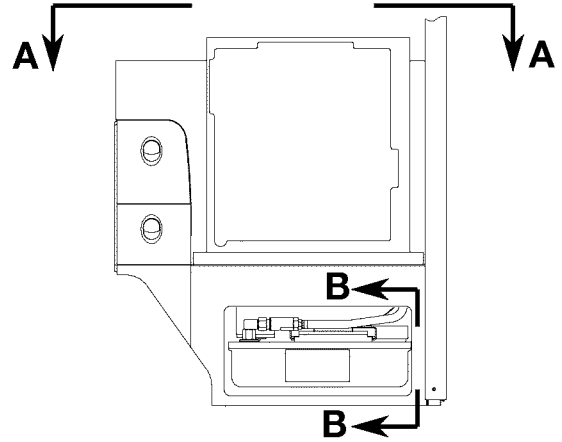
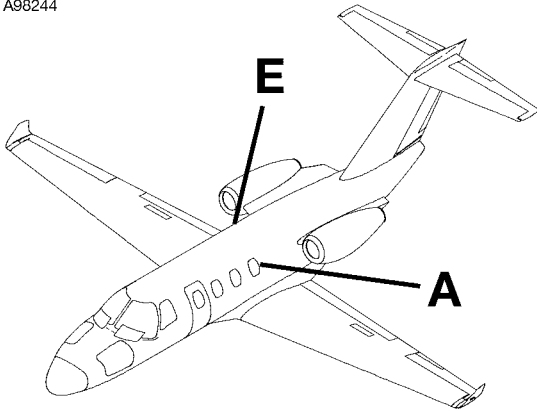
CESSNA®  
**MODEL 525 (SERIALS -0685 AND -0800 AND ON)**  
 ILLUSTRATED PARTS CATALOG

FIG ITEM	PART NUMBER	NOMENCLATURE	UNITS PER ASSY		
			1	2	3
04					
-		CANADIAN INTERIOR PLACARDS AND MARKINGS - CABIN SEATS	0858	& ON	RF R
1	4316002-46	. PLACARD-SEAT INSTRUCTIONS . . . . .			02 R
- 1A	4316002-47	. PLACARD-SEAT INSTRUCTIONS OPTIONAL . . . . .			02 R
2	4316002-28	. PLACARD-TABLE LID INSTRUCTIONS . . . . .			02 R
3	4316002-32	. PLACARD-LIFEVEST . . . . .			04 R

- ITEM NOT ILLUSTRATED

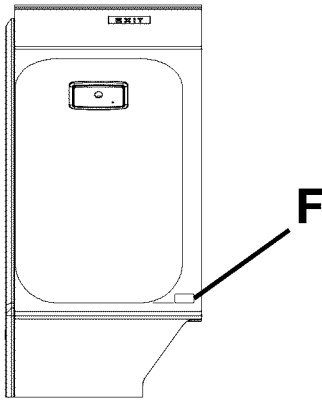
CESSNA®  
**MODEL 525 (SERIALS -0685 AND -0800 AND ON)**  
 ILLUSTRATED PARTS CATALOG

A98244



**DETAIL A**

View Looking Outboard



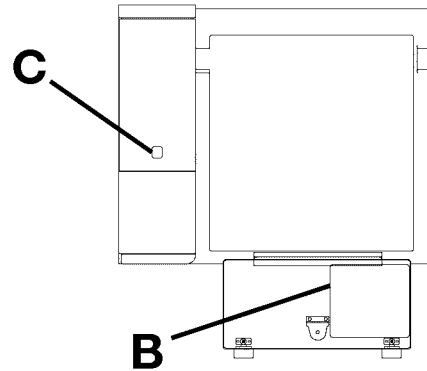
**DETAIL E**

View Looking Outboard



4

▲ **DETAIL F**

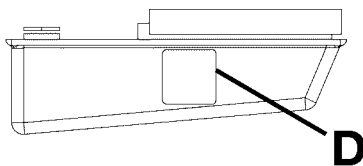


**VIEW A-A**

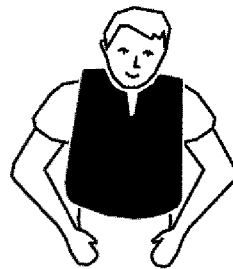
TOILET CHEMICAL  
 IS CORROSIVE.  
 USE EXTREME CARE  
 TO PREVENT SPILLAGE.  
 FOLLOW SERVICING  
 INSTRUCTIONS CAREFULLY.  
 CLEAN ANY SPILLAGE  
 IMMEDIATELY AND  
 REPORT IT TO THE CREW.

1

**DETAIL D**



**VIEW B-B**



3

▲ **DETAIL C**

**DETAIL A**  
 INSTALLED

**DETAIL B**  
 REMOVED

- 1 SLIDES (2 EACH)  
 (INSERT INTO SLIDE PLATE ASSEMBLY ITEM 6.)
- 2 PRES-LOK FASTENERS (2 EACH)  
 (SHOWN LOCKED IN DETAIL A, UNLOCKED IN DETAIL B.)
- 3 KNIFE VALVE HANDLE  
 (KNIFE VALVE OPENED EXCEPT FOR TANK REMOVAL.)  
 (SHOWN OPEN IN DETAIL A, CLOSED IN DETAIL B.)
- 4 FLUSH HOSE (QUICK CONNECT)
- 5 RECESSED CARRYING HANDLE
- 6 SLIDE PLATE ASSEMBLY

**CAUTION: TO AVOID SPILLAGE**  
 DO NOT REMOVE TANK BEFORE CLOSING KNIFE VALVE ITEM 3.  
 PROPERLY INSTALL SLIDES INTO SLIDE PLATE.  
 VISUALLY INSPECT THAT NO GAP EXISTS BETWEEN TANK AND SLIDE PLATE GASKET.  
 KNIFE VALVE TO BE OPENED BEFORE FLIGHT.

2

**DETAIL B**

6310T1168  
 A6319T1360  
 AA6319T1361  
 BB6319T1360  
 E6314T1662

▲ Required for Dispatch

CANADIAN INTERIOR PLACARDS AND MARKINGS - LAVATORY  
 FIGURE 01 (SHEET 1)



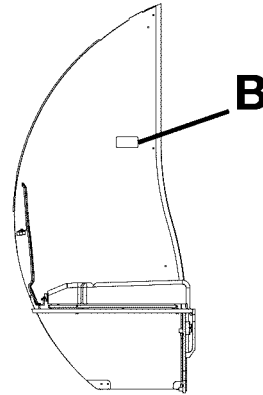
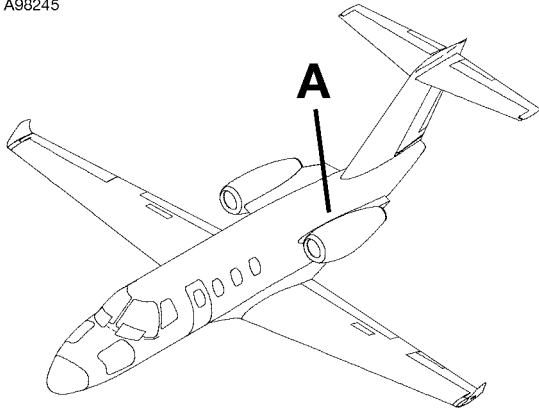
CESSNA®  
**MODEL 525 (SERIALS -0685 AND -0800 AND ON)**  
 ILLUSTRATED PARTS CATALOG

FIG ITEM	PART NUMBER	NOMENCLATURE	UNITS PER ASSY		
			1	2	3
01					
-		CANADIAN INTERIOR PLACARDS AND MARKINGS - LAVATORY	0858	& ON	RF R
1	4316002-30	. PLACARD-TOILET CARE			01 R
2	4316002-36	. PLACARD-TOILET SERVICING			01 R
3	4316002-32	. PLACARD-LIFEVEST			01 R
4	4316002-33	. PLACARD-NO SMOKING			01 R

- ITEM NOT ILLUSTRATED

CESSNA®  
**MODEL 525 (SERIALS -0685 AND -0800 AND ON)**  
 ILLUSTRATED PARTS CATALOG

A98245



**DETAIL A**

View Looking Forward at Left Hand Side  
 Toilet Assembly and Left Hand Side Aft Divider

FOR TAXI, TAKEOFF, AND LANDING:  
 LATCH SLIDING DOOR OPEN;  
 CLOSE ALL CABINET DOORS AND DRAWERS;  
 FASTEN SHOULDER HARNESS.

LIFE VEST IN SEAT CABINET.

75

▲ **DETAIL B**

FOR TAXI, TAKEOFF, AND LANDING:  
 STOW CURTAIN;  
 CLOSE ALL CABINET DOORS AND DRAWERS;  
 FASTEN SHOULDER HARNESS.

77

▲ **DETAIL B**

FOR TAXI, TAKEOFF, AND LANDING:  
 LATCH SLIDING DOOR OPEN;  
 CLOSE ALL CABINET DOORS AND DRAWERS;  
 FASTEN SHOULDER HARNESS.

76

▲ **DETAIL B**

▲ Required for Dispatch

6310T1168  
 A6319T1650

CANADIAN INTERIOR PLACARDS AND MARKINGS - LAVATORY  
 FIGURE 01 (SHEET 2)

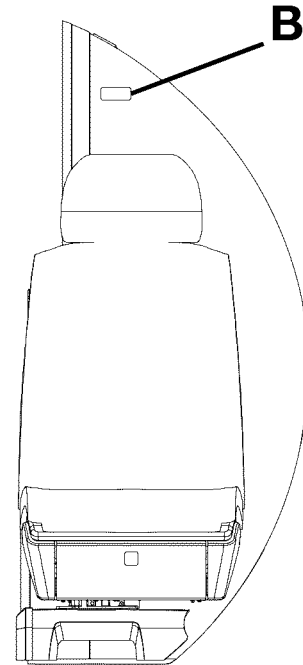
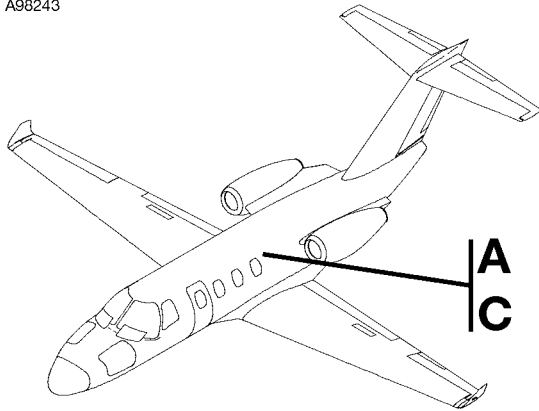
CESSNA®  
**MODEL 525 (SERIALS -0685 AND -0800 AND ON)**  
 ILLUSTRATED PARTS CATALOG

FIG ITEM	PART NUMBER	NOMENCLATURE	UNITS PER ASSY
	1 2 3 4 5 6 7		
01			
75	4316002-42	. PLACARD-LH BELTED TOILET INSTRUCTIONS (DOOR) . . . . .	01 R
76	4316002-43	. PLACARD-LH BELTED TOILET INSTRUCTIONS (DOOR) W/O LIFE VEST . . . . .	01 R
77	4316002-45	. PLACARD-LH BELTED TOILET INSTRUCTIONS (CURTAIN) . . . . .	01 R

- ITEM NOT ILLUSTRATED

CESSNA®  
**MODEL 525 (SERIALS -0685 AND -0800 AND ON)**  
 ILLUSTRATED PARTS CATALOG

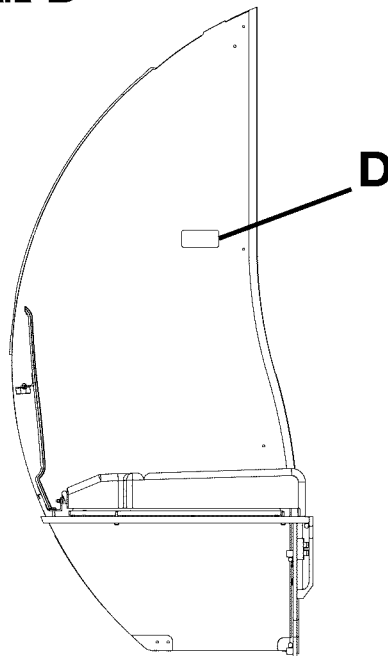
A98243



**FOR TAXI, TAKEOFF, AND LANDING:  
 STOW CURTAIN;  
 CLOSE ALL CABINET DOORS AND DRAWERS;  
 FASTEN SHOULDER HARNESS.  
 LIFE VEST IN SEAT CABINET.**

**3**  
 ▲ **DETAIL D**

**DETAIL A**  
 Looking Aft



**NO SMOKING IN LAVATORY.  
 STOW CURTAIN  
 FOR TAXI, TAKEOFF, AND LANDING.**

**1**  
 ▲ **DETAIL B**

**NO SMOKING IN LAVATORY.  
 LATCH SLIDING DOOR OPEN  
 FOR TAXI, TAKEOFF, AND LANDING.**

**2**  
 ▲ **DETAIL B**

**DETAIL C**  
 Looking Forward

▲ Required for Dispatch

6310T1168  
 A6319T1649  
 C6319T1650

CANADIAN INTERIOR PLACARDS AND MARKINGS - DIVIDERS  
 FIGURE 02 (SHEET 1)

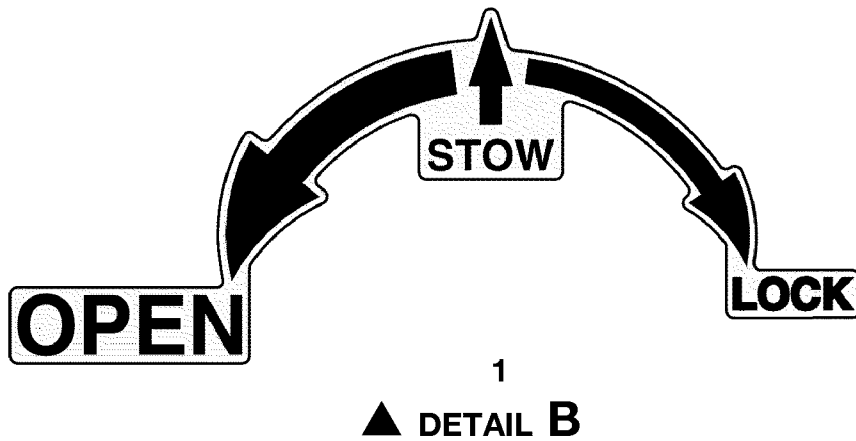
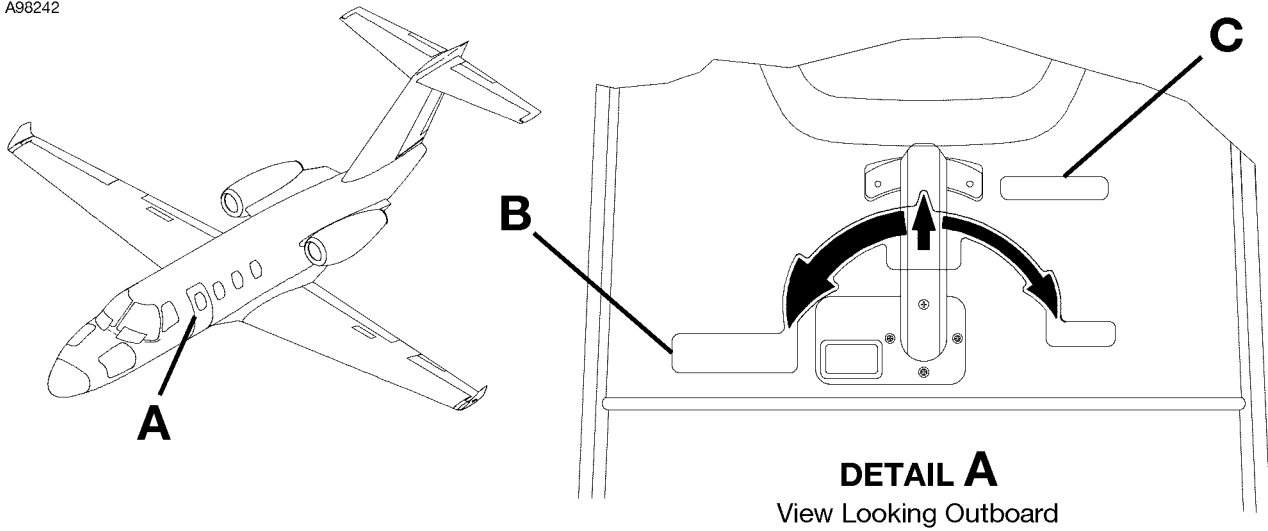
CESSNA®  
**MODEL 525 (SERIALS -0685 AND -0800 AND ON)**  
 ILLUSTRATED PARTS CATALOG

FIG ITEM	PART NUMBER	1 2 3 4 5 6 7	NOMENCLATURE	UNITS PER ASSY
02				
-			CANADIAN INTERIOR PLACARDS AND MARKINGS - DIVIDERS	0858 & ON RF R
1	4316002-25		. PLACARD-AFT CABIN INSTRUCTIONS . . . . .	01 R
2	4316002-41		. PLACARD-AFT CABIN INSTRUCTIONS (DOOR) . . . . .	01 R
3	4316002-29		. PLACARD-LH BELTED TOILET (CURTAIN) . . . . .	01 R

- ITEM NOT ILLUSTRATED

CESSNA®  
MODEL 525 (SERIALS -0685 AND -0800 AND ON)  
ILLUSTRATED PARTS CATALOG

A98242



**TO RELEASE: PUSH BUTTON,  
PULL TRIGGER ON HANDLE.**

2  
▲ DETAIL C

▲ Required for Dispatch

6310T1168  
A6319T1645

CANADIAN INTERIOR PLACARDS AND MARKINGS - CABIN DOOR  
FIGURE 01 (SHEET 1)

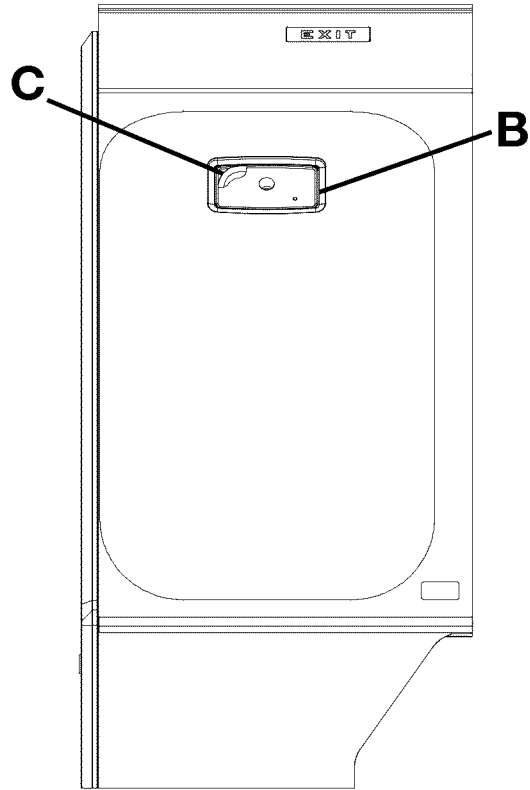
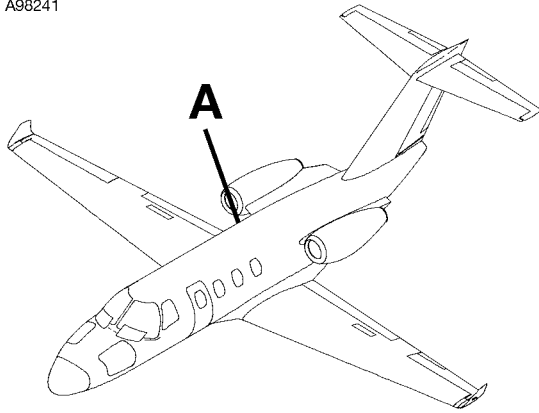
CESSNA®  
**MODEL 525 (SERIALS -0685 AND -0800 AND ON)**  
 ILLUSTRATED PARTS CATALOG

FIG ITEM	PART NUMBER	1 2 3 4 5 6 7	NOMENCLATURE	UNITS PER ASSY
01				
-			CANADIAN INTERIOR PLACARDS AND MARKINGS - CABIN DOOR	0858 & ON RF R
1	4316002-18		. DECAL-CABIN DOOR INSTRUCTIONS . . . . .	01 R
2	4316002-19		. DECAL-CABIN DOOR HANDLE INSTRUCTIONS . . . . .	01 R

- ITEM NOT ILLUSTRATED

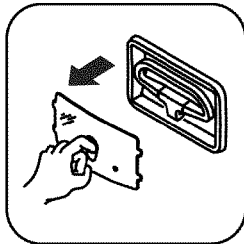
CESSNA®  
**MODEL 525 (SERIALS -0685 AND -0800 AND ON)**  
 ILLUSTRATED PARTS CATALOG

A98241



1

▲ **DETAIL E**



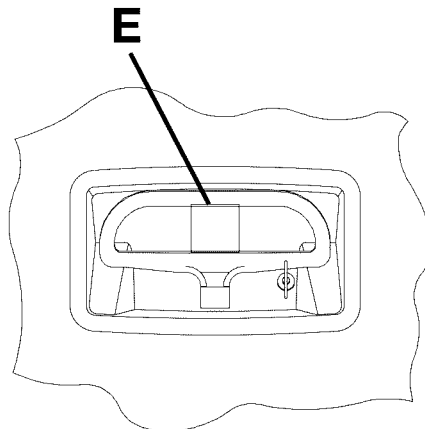
2

▲ **DETAIL D**

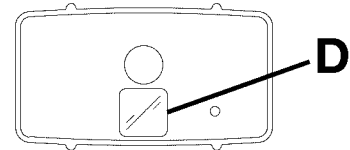
◀ **FWD**

**DETAIL A**

View Looking Outboard



**DETAIL C**



**DETAIL B**

▲ Required for Dispatch

CANADIAN INTERIOR PLACARDS AND MARKINGS - ESCAPE HATCH  
 FIGURE 02 (SHEET 1)

6310T1168  
 A6310T1180  
 B6310T1180  
 C6310T1180



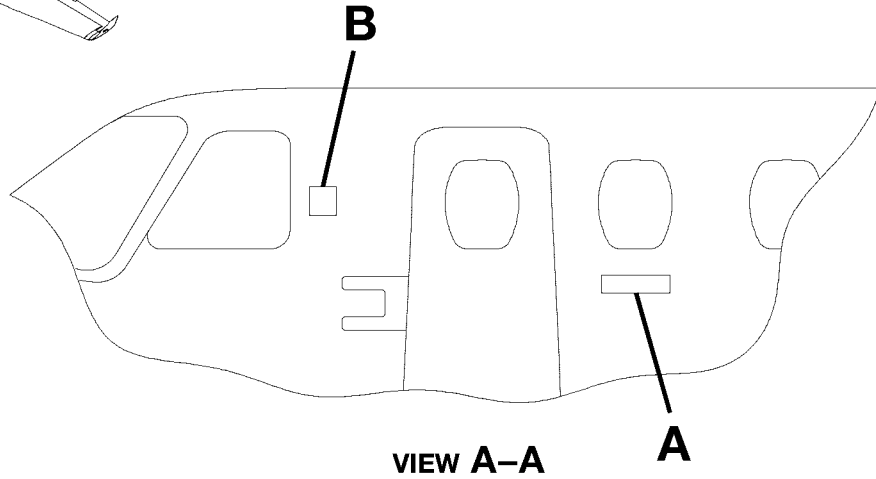
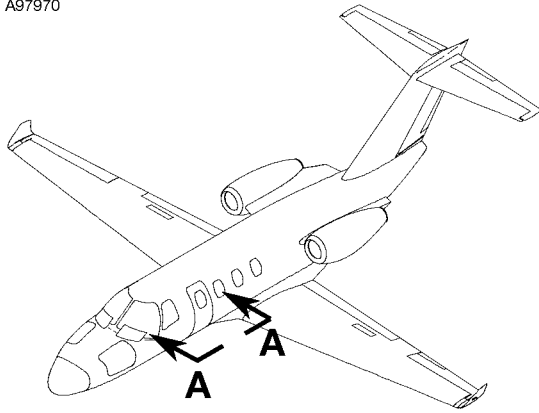
CESSNA®  
**MODEL 525 (SERIALS -0685 AND -0800 AND ON)**  
 ILLUSTRATED PARTS CATALOG

FIG ITEM	PART NUMBER	1 2 3 4 5 6 7	NOMENCLATURE	UNITS PER ASSY		
02						
-			CANADIAN INTERIOR PLACARDS AND MARKINGS - ESCAPE HATCH	0858	& ON	RF R
1	4316002-27		. PLACARD-ESCAPE HATCH HANDLE INSTRUCTIONS . . . . .			01 R
2	4316002-26		. PLACARD-ESCAPE HATCH COVER INSTRUCTIONS . . . . .			01 R

- ITEM NOT ILLUSTRATED

CESSNA®  
MODEL 525 (SERIALS -0685 AND -0800 AND ON)  
ILLUSTRATED PARTS CATALOG

A97970



3  
DETAIL B

CITATION  
M2

1  
DETAIL A

PORTUGUESE EXTERIOR PLACARDS AND MARKINGS - FUSELAGE  
FIGURE 02 (SHEET 1)

6310T1168  
AA6314T1174

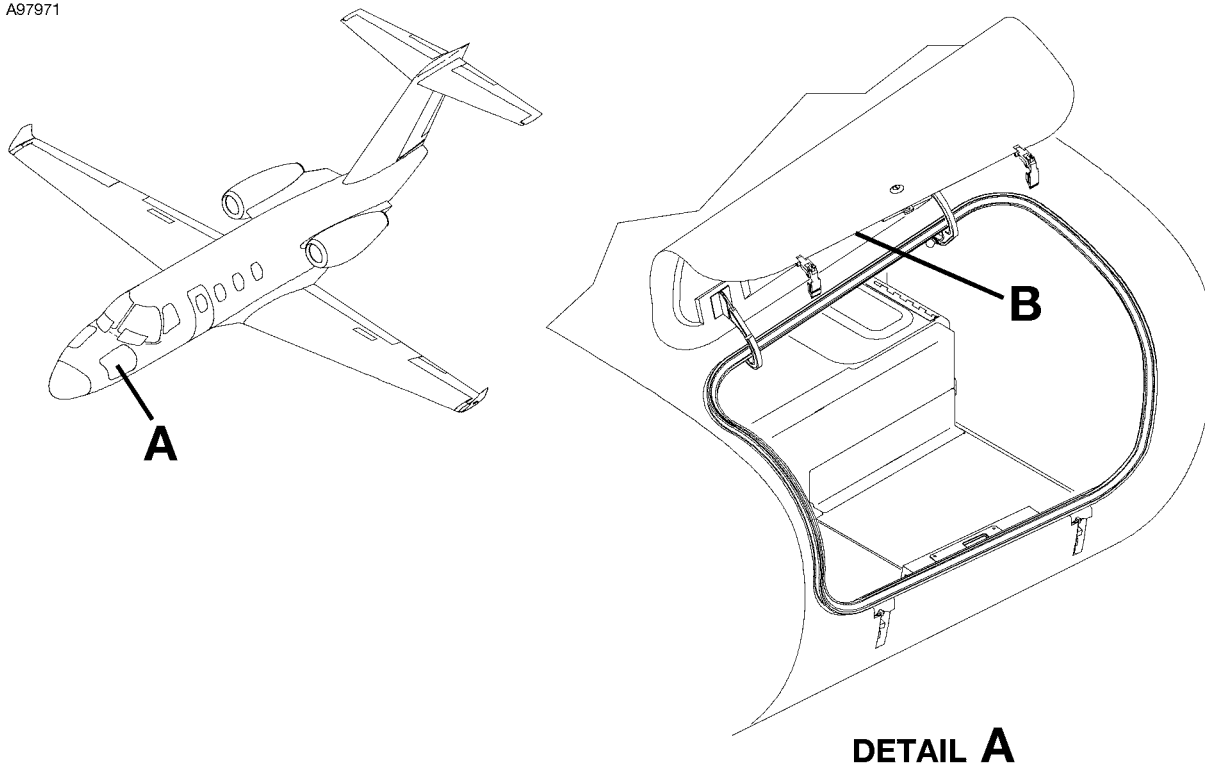
CESSNA®  
**MODEL 525 (SERIALS -0685 AND -0800 AND ON)**  
 ILLUSTRATED PARTS CATALOG

FIG ITEM	PART NUMBER	NOMENCLATURE	UNITS	
			PER	ASSY
02				
-		PORTUGUESE EXTERIOR PLACARDS AND MARKINGS - FUSELAGE	0840	& ON RF R
- 1	4416001-32	. DECAL-M2 INSIGNIA . . . . .		02 R
- 2	4416001-31	. PAINTMASK-M2 INSIGNIA . . . . .		01 R
- 3	6505010-124	. DECAL-CESSNA LOGO . . . . .		02 R
- 4	6505010-123	. PAINTMASK-CESSNA LOGO . . . . .		01 R

- ITEM NOT ILLUSTRATED

CESSNA®  
**MODEL 525 (SERIALS -0685 AND -0800 AND ON)**  
ILLUSTRATED PARTS CATALOG

A97971



**MAXIMUM WEIGHT ALLOWANCE  
400 LBS (181 KG).  
MAXIMUM FLOOR LOADING  
35 LBS/FT<sup>2</sup> (170 KG/M<sup>2</sup>).  
SEE AFM FOR WEIGHT  
AND BALANCE DATA.**

1

**DETAIL B**

PORTUGUESE EXTERIOR PLACARDS AND MARKINGS - NOSE BAGGAGE  
FIGURE 01 (SHEET 1)

6310T1168  
A6313T1003

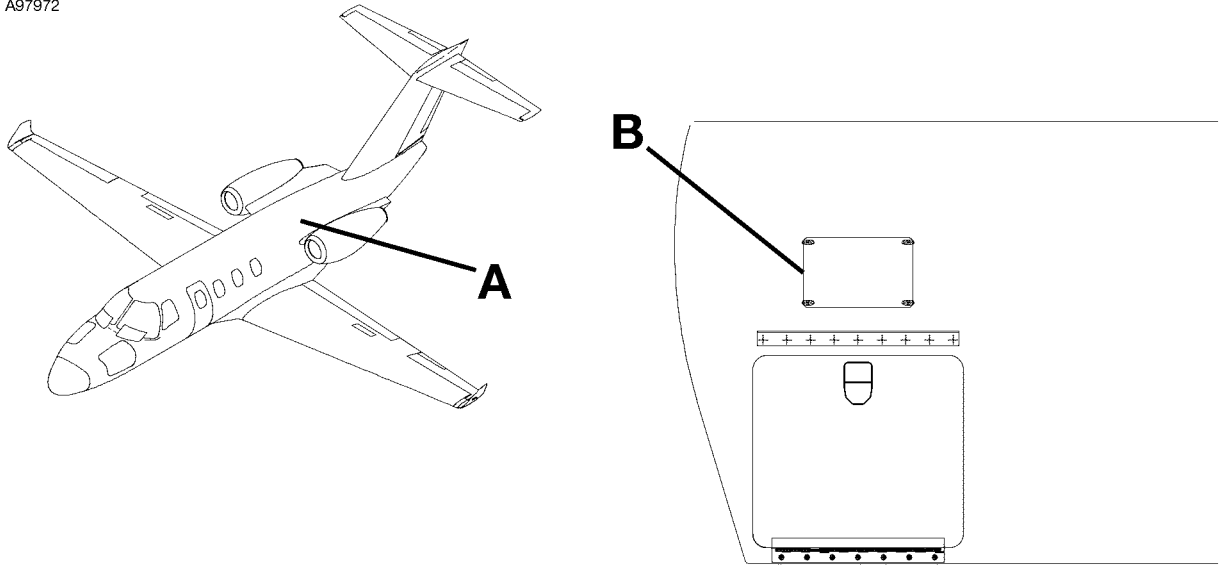
CESSNA®  
**MODEL 525 (SERIALS -0685 AND -0800 AND ON)**  
 ILLUSTRATED PARTS CATALOG

FIG ITEM	PART NUMBER	NOMENCLATURE							UNITS PER ASSY				
		1	2	3	4	5	6	7					
01													
-		PORTUGUESE EXTERIOR PLACARDS AND MARKINGS - NOSE BAGGAGE							0840	& ON	RF R		
1	4416000-163	. PLACARD-MAX BAGGAGE WEIGHT 400LBS . . . . .									02		

- ITEM NOT ILLUSTRATED

CESSNA®  
**MODEL 525 (SERIALS -0685 AND -0800 AND ON)**  
ILLUSTRATED PARTS CATALOG

A97972



**DETAIL A**

Looking Forward at Left Hand Side Forward Wall

⊕ **MAXIMUM WEIGHT ALLOWANCE** ⊕  
**325 LBS (147 KG).**  
**MAXIMUM FLOOR LOADING**  
**100 LBS/FT<sup>2</sup> (488 KG/M<sup>2</sup>).**  
**SEE AFM FOR WEIGHT AND BALANCE DATA.**

**SECURE BAGGAGE WITH CARGO NET.**

⊕ **LATCH ALL DOORS PRIOR TO FLIGHT.** ⊕

**1**  
**DETAIL B**

6310T1168  
A6312T1220

PORTUGUESE EXTERIOR PLACARDS AND MARKINGS - AFT BAGGAGE  
FIGURE 02 (SHEET 1)

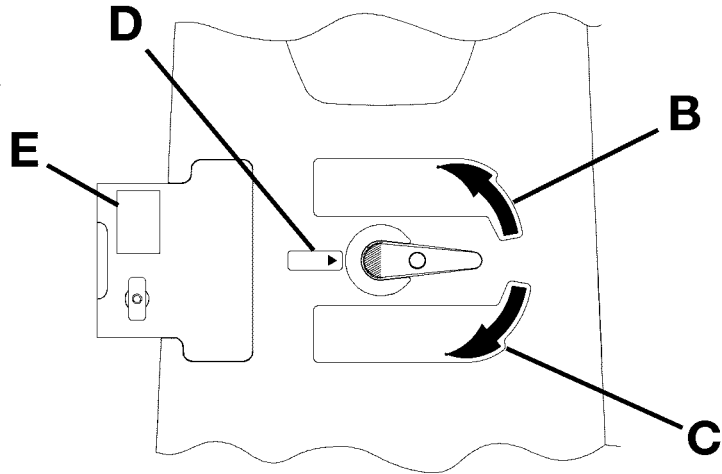
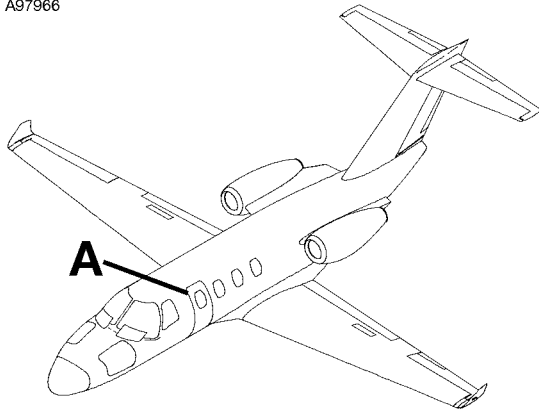
CESSNA®  
**MODEL 525 (SERIALS -0685 AND -0800 AND ON)**  
 ILLUSTRATED PARTS CATALOG

FIG ITEM	PART NUMBER	NOMENCLATURE	UNITS	
			PER	ASSY
02				
-		PORTUGUESE EXTERIOR PLACARDS AND MARKINGS - AFT BAGGAGE	0840	& ON RF R
1	4416004-58	. PLACARD-MAX BAGGAGE WEIGHT 325LB . . . . .		01 R
		ATTACHING PARTS		
- 2	MS35214-14	. SCREW . . . . .		04 R
- 3	MS21069L04	. NUTPLATE . . . . .		04 R
		—*—		

- ITEM NOT ILLUSTRATED

CESSNA®  
**MODEL 525 (SERIALS -0685 AND -0800 AND ON)**  
 ILLUSTRATED PARTS CATALOG

A97966



**DETAIL A**

(View Looking Inboard at Entry Door)

LIBERAÇÃO DA  
 TRAVA DA PORTA  
 POR DENTRO,  
 ATRÁS DESTA PLACA  
 LEVANTE OS  
 DEGRAUS ANTES DE  
 FECHAR A PORTA.

DOOR CATCH  
 RELEASE INSIDE  
 BEHIND THIS  
 PLACARD. RAISE  
 STEPS BEFORE  
 CLOSING DOOR.

4

**DETAIL E**



1

▲ **DETAIL B**



2

▲ **DETAIL D**



3

▲ **DETAIL C**

▲ Required for Dispatch

6310T1168  
 A4711T983-2

PORTUGUESE EXTERIOR PLACARDS AND MARKINGS - CABIN DOOR  
 FIGURE 01 (SHEET 1)



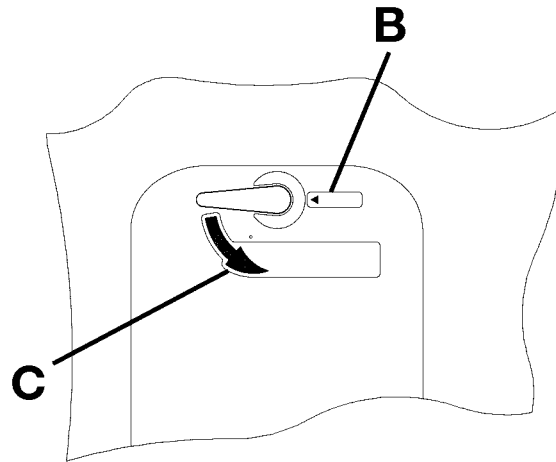
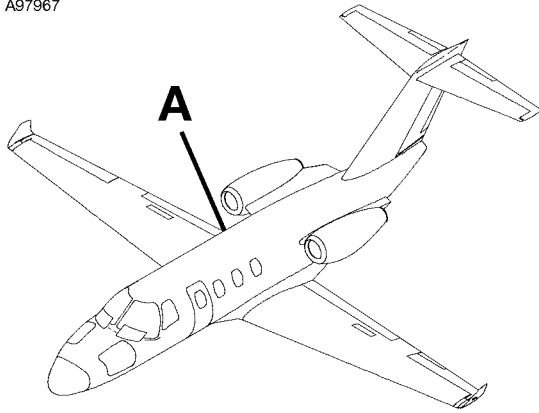
CESSNA®  
**MODEL 525 (SERIALS -0685 AND -0800 AND ON)**  
 ILLUSTRATED PARTS CATALOG

FIG ITEM	PART NUMBER	NOMENCLATURE	UNITS	
			PER	ASSY
01				
-		PORTUGUESE EXTERIOR PLACARDS AND MARKINGS - CABIN DOOR	0840	& ON RF R
1	4316005-26	. DECAL-CABIN DOOR (LOCK) . . . . .		01 R
2	4316005-27	. DECAL-CABIN DOOR (PUSH) . . . . .		01 R
3	4316008-14	. DECAL-CABIN DOOR (OPEN) . . . . .		01 R
4	4516047-67	. PHOTOPLACARD-CABIN DOOR PRECATCH . . . . .		01 R

- ITEM NOT ILLUSTRATED

CESSNA®  
MODEL 525 (SERIALS -0685 AND -0800 AND ON)  
ILLUSTRATED PARTS CATALOG

A97967



**DETAIL A**  
Looking Inboard at Escape Hatch



2  
▲ **DETAIL B**



1  
▲ **DETAIL C**

▲ Required for Dispatch

6310T1168  
A4711985-3

PORTUGUESE EXTERIOR PLACARDS AND MARKINGS - ESCAPE HATCH  
FIGURE 02 (SHEET 1)

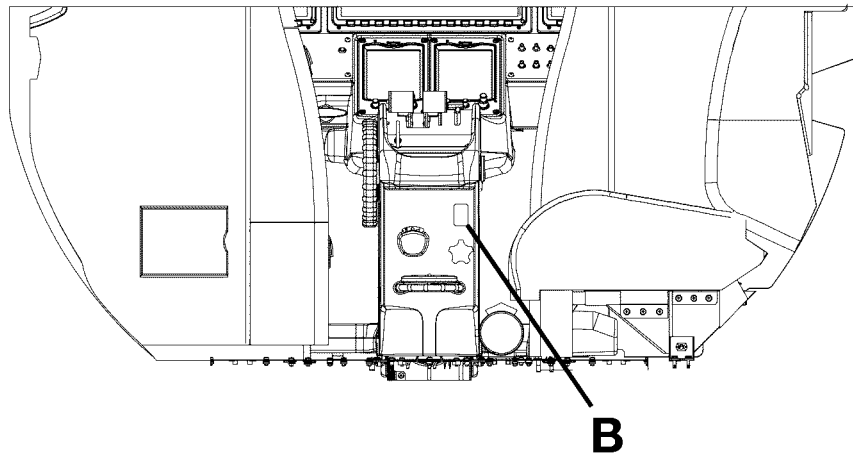
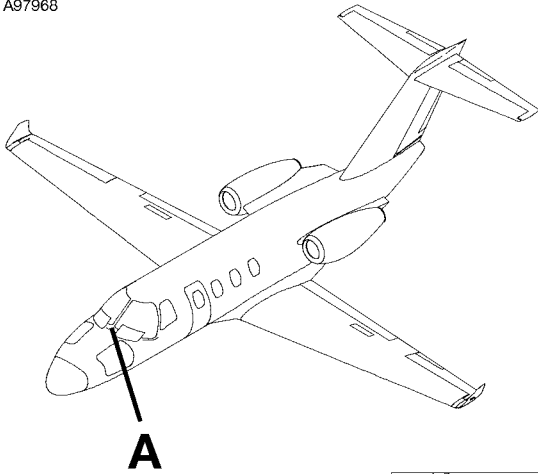
CESSNA®  
**MODEL 525 (SERIALS -0685 AND -0800 AND ON)**  
 ILLUSTRATED PARTS CATALOG

FIG ITEM	PART NUMBER	1 2 3 4 5 6 7	NOMENCLATURE	UNITS PER ASSY		
02						
-			PORTUGUESE EXTERIOR PLACARDS AND MARKINGS - ESCAPE HATCH	0840	& ON	RF R
1	4316005-1		. DECAL-EMERGENCY EXIT (OPEN) . . . . .			01 R
2	4316005-2		. DECAL-EMERGENCY EXIT (PUSH) . . . . .			01 R

- ITEM NOT ILLUSTRATED

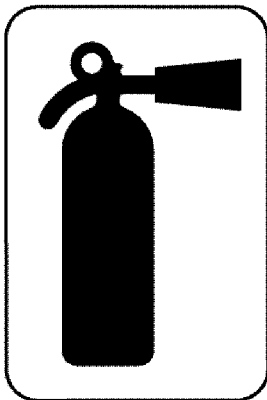
CESSNA®  
MODEL 525 (SERIALS -0685 AND -0800 AND ON)  
ILLUSTRATED PARTS CATALOG

A97968



**DETAIL A**

View Looking Forward at Cockpit Pedestal



1  
**DETAIL B**

6310T1168  
A4711T985-10

PORTUGUESE INTERIOR PLACARDS AND MARKINGS - FLIGHT COMPARTMENT  
FIGURE 01 (SHEET 1)

CESSNA®  
**MODEL 525 (SERIALS -0685 AND -0800 AND ON)**  
 ILLUSTRATED PARTS CATALOG

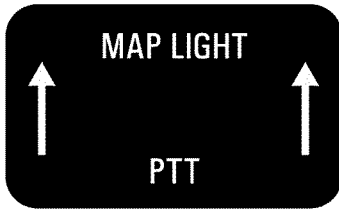
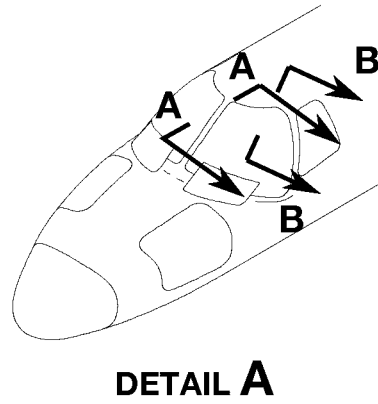
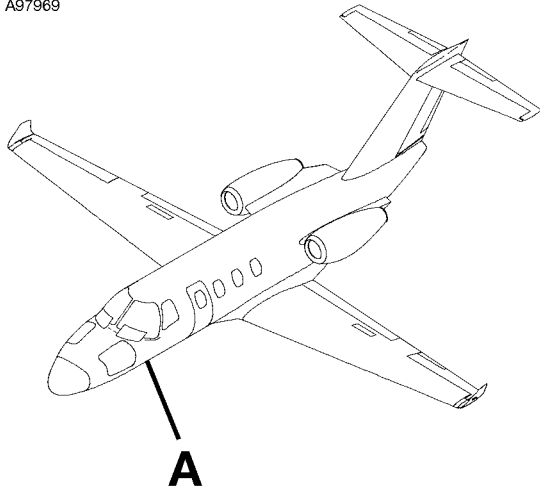
FIG ITEM	PART NUMBER	NOMENCLATURE							UNITS PER ASSY				
		1	2	3	4	5	6	7					
01													
-													
1	4316002-10												

PORTUGUESE INTERIOR PLACARDS AND MARKINGS - FLIGHT 0840 & ON RF R  
 COMPARTMENT  
 . PLACARD-FIRE EXTINGUISHER . . . . . 01

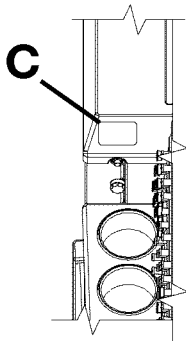
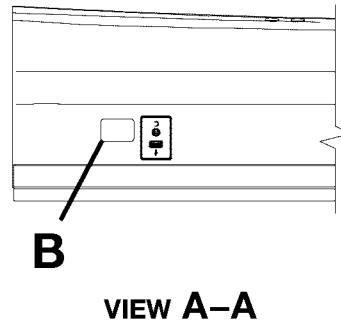
- ITEM NOT ILLUSTRATED

CESSNA®  
**MODEL 525 (SERIALS -0685 AND -0800 AND ON)**  
 ILLUSTRATED PARTS CATALOG

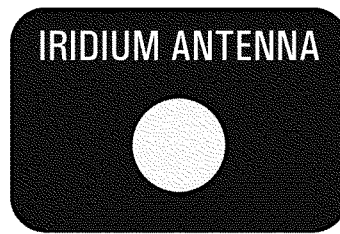
A97969



**2**  
**DETAIL C**



**VIEW B-B**  
 View Looking at Left Hand Side Console



**1**  
**DETAIL B**

6310T1168  
 A6310T1168  
 AA6310T1183  
 BB6310T1184

PORTUGUESE INTERIOR PLACARDS AND MARKINGS - LH CONSOLE  
 FIGURE 04 (SHEET 1)

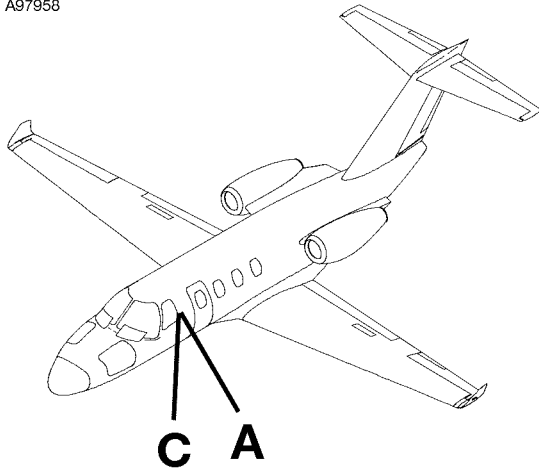
CESSNA®  
**MODEL 525 (SERIALS -0685 AND -0800 AND ON)**  
 ILLUSTRATED PARTS CATALOG

FIG ITEM	PART NUMBER	1 2 3 4 5 6 7	NOMENCLATURE	UNITS PER ASSY		
				0840	& ON	RF R
04			PORTUGUESE INTERIOR PLACARDS AND MARKINGS - LH CONSOLE			
-			. PLACARD-IRIDIUM ANTENNA . . . . .			01 R
1	4316002-35		. PLACARD-MAP LIGHT . . . . .			02 R
2	4316002-38					

- ITEM NOT ILLUSTRATED

CESSNA®  
**MODEL 525 (SERIALS -0685 AND -0800 AND ON)**  
 ILLUSTRATED PARTS CATALOG

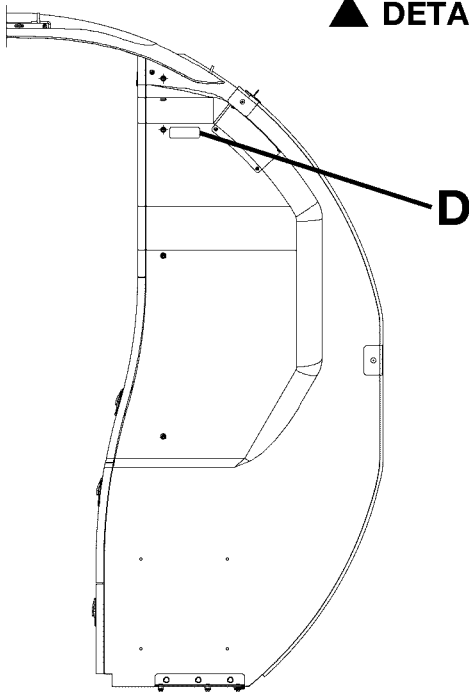
A97958



STOW CURTAIN FOR  
 TAXI, TAKEOFF, AND LANDING.

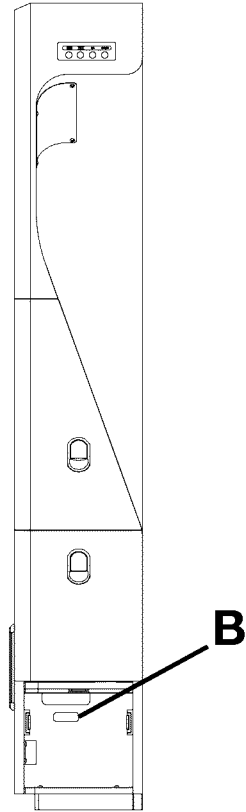
2

▲ **DETAIL D**



**DETAIL C**

Looking Aft at Left Hand Cabinet Assembly



**DETAIL A**

CABIN BRIEFER  
 PROGRAM LOAD PORT

1

**DETAIL B**

▲ Required for Dispatch

PORTUGUESE INTERIOR PLACARDS AND MARKINGS - FLIGHT COMPARTMENT  
 FIGURE 05 (SHEET 1)

6310T1168  
 A471T1953  
 C471T1953



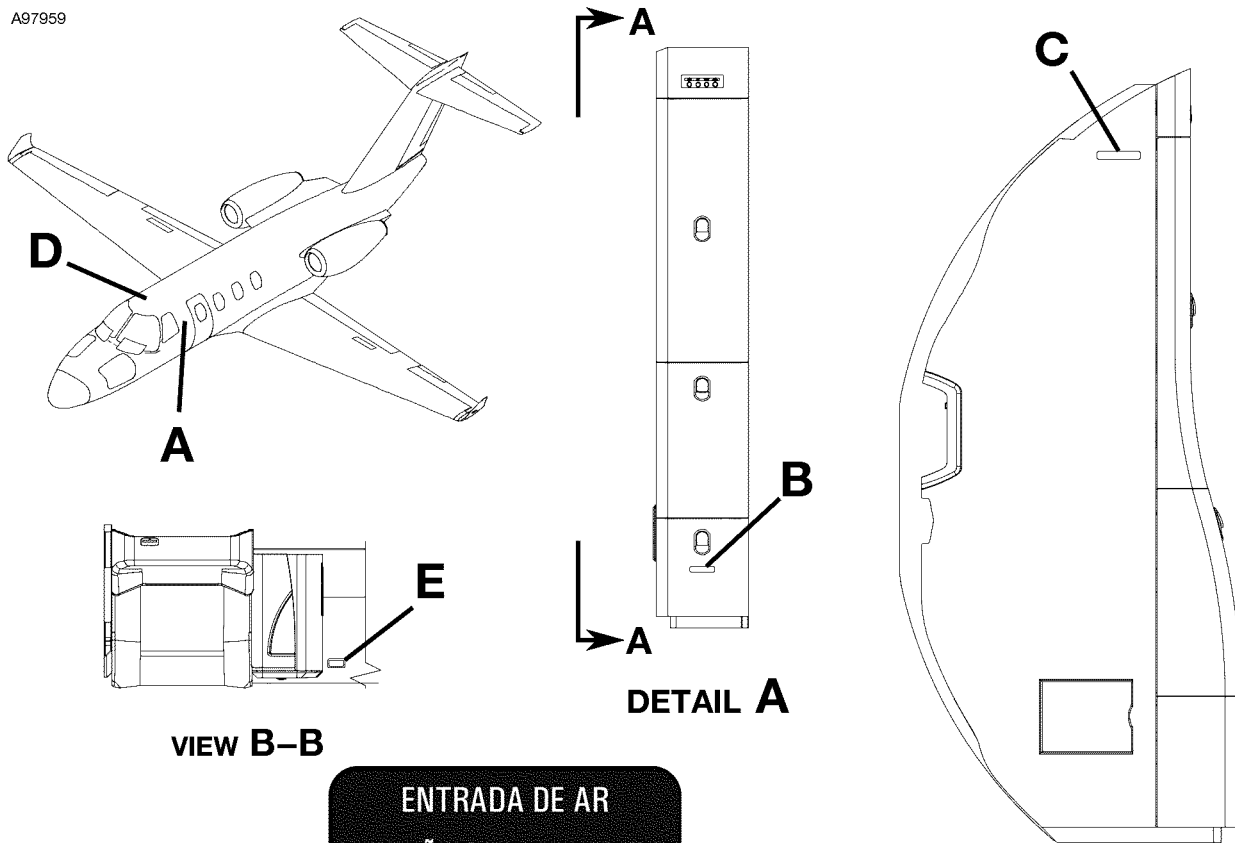
CESSNA®  
**MODEL 525 (SERIALS -0685 AND -0800 AND ON)**  
 ILLUSTRATED PARTS CATALOG

FIG ITEM	PART NUMBER	1 2 3 4 5 6 7	NOMENCLATURE	UNITS PER ASSY		
				0840	& ON	RF R
05			PORTUGUESE INTERIOR PLACARDS AND MARKINGS - FLIGHT COMPARTMENT			
-				0840	& ON	RF R
1	4316002-40		. PLACARD-CABIN BRIEFER PORT . . . . .			01 R
2	4316002-8		. PLACARD-CURTAIN STOWAGE . . . . .			01 R

- ITEM NOT ILLUSTRATED

CESSNA®  
**MODEL 525 (SERIALS -0685 AND -0800 AND ON)**  
 ILLUSTRATED PARTS CATALOG

A97959



VIEW B-B

DETAIL A

VIEW A-A

**ENTRADA DE AR  
 NÃO BLOQUEAR.  
 AIR INLET  
 DO NOT BLOCK.**

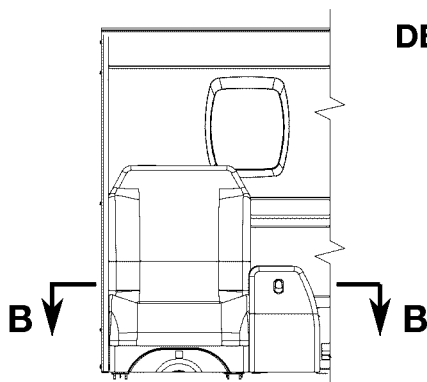
3

DETAIL E

**NÃO COLOCAR CIGARROS NESTE LOCAL;  
 É NECESSÁRIO PROTECÇÃO METÁLICA PARA O LIXO.  
 NO CIGARETTE DISPOSAL;  
 METAL TRASH LINER REQUIRED.**

1

▲ DETAIL B



DETAIL D

Looking Outboard at Side Facing Seat

**FECHAR TODAS AS PORTAS DA CABINE E GAVETAS  
 DURANTE TÁXI, DESCOLAGEM E ATERRAGEM.  
 CLOSE ALL CABINET DOORS AND DRAWERS  
 FOR TAXI, TAKEOFF, AND LANDING.**

2

▲ DETAIL C

▲ Required for Dispatch

PORTUGUESE INTERIOR PLACARDS AND MARKINGS - FORWARD CABIN  
 FIGURE 01 (SHEET 1)

6310T1168  
 A6320T1021  
 AA6320T1021  
 D6320T1021  
 BB6320T1021

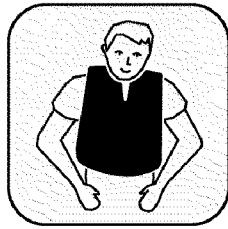
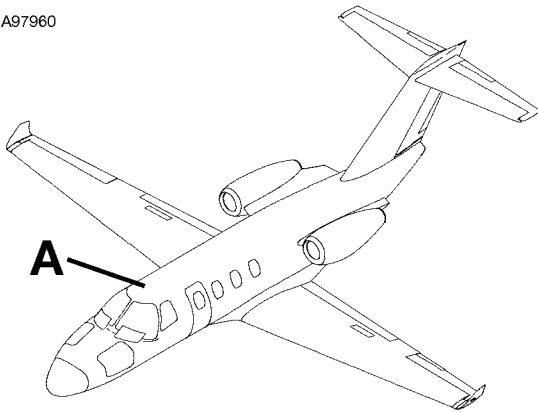
CESSNA®  
**MODEL 525 (SERIALS -0685 AND -0800 AND ON)**  
 ILLUSTRATED PARTS CATALOG

FIG ITEM	PART NUMBER	NOMENCLATURE	UNITS PER ASSY		
			1	2	3
01					
-		PORTUGUESE INTERIOR PLACARDS AND MARKINGS - FORWARD CABIN	0840	& ON	RF R
1	4316005-12	. PLACARD-TRASH CONTAINER W/LINER . . . . .			01 R
2	4316005-13	. PLACARD-CABINET INSTRUCTIONS . . . . .			01 R
3	4316008-17	. PLACARD-AIR INLET . . . . .			01 R
- 4	4717018-8	. PLACARD-COVER . . . . .			01 R

- ITEM NOT ILLUSTRATED

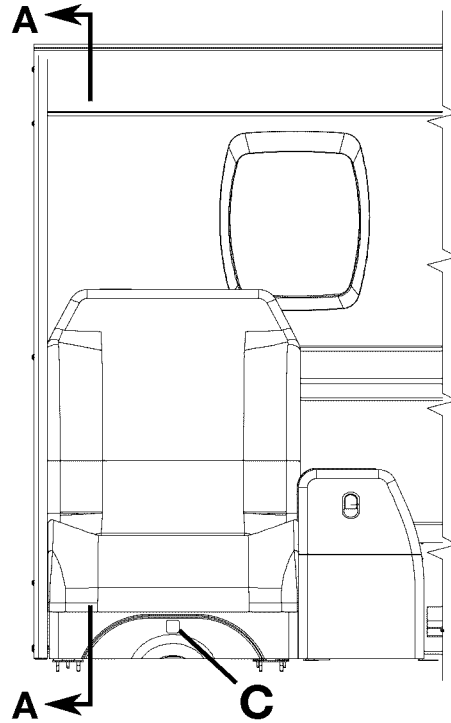
CESSNA®  
**MODEL 525 (SERIALS -0685 AND -0800 AND ON)**  
 ILLUSTRATED PARTS CATALOG

A97960



77

▲ **DETAIL C**



**DETAIL A**

Looking Outboard at Side Facing Seat

O CINTO DE OMBROS DEVE ESTAR APERTADO DURANTE O TÁXI, DESCOLAGEM E ATERRAGEM.

COLETE SALVA-VIDAS POR BAIXO DA CADEIRA.

FASTEN SHOULDER HARNESS FOR TAXI, TAKEOFF, AND LANDING.

LIFE VEST IN SEAT BASE.

76

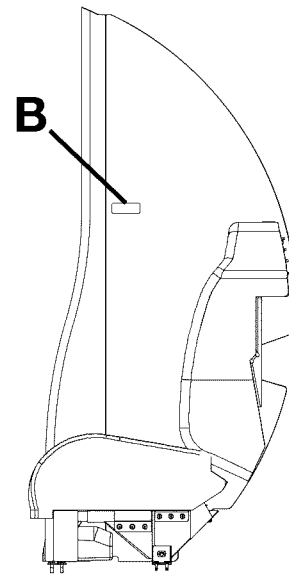
▲ **DETAIL B**

O CINTO DE OMBROS DEVE ESTAR APERTADO DURANTE O TÁXI, DESCOLAGEM E ATERRAGEM.

FASTEN SHOULDER HARNESS FOR TAXI, TAKEOFF, AND LANDING.

75

▲ **DETAIL B**



**VIEW A-A**

▲ Required for Dispatch

PORTUGUESE INTERIOR PLACARDS AND MARKINGS - FORWARD CABIN  
 FIGURE 01 (SHEET 2)

6310T1168  
 A6320T1021  
 AA6320T1021

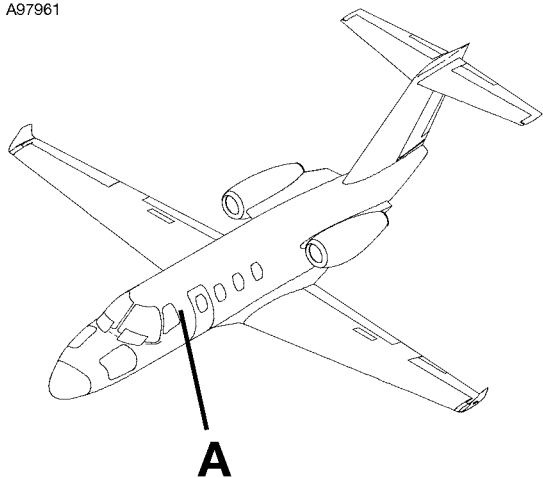
CESSNA®  
**MODEL 525 (SERIALS -0685 AND -0800 AND ON)**  
 ILLUSTRATED PARTS CATALOG

FIG ITEM	PART NUMBER	NOMENCLATURE	UNITS PER ASSY		
			1	2	3
01					
75	4316005-18	. PLACARD-SIDE FACING SEAT INSTRUCTIONS W/O ARMREST . . . . .	0840	& ON	01 R
76	4316005-17	. PLACARD-SIDE FACING SEAT INSTRUCTIONS W/O ARMREST-LIFEVEST . . .	0840	& ON	01 R
77	4316002-32	. PLACARD-SIDE FACING SEAT LIFEVEST . . . . .	0840	& ON	01 R

- ITEM NOT ILLUSTRATED

CESSNA®  
MODEL 525 (SERIALS -0685 AND -0800 AND ON)  
ILLUSTRATED PARTS CATALOG

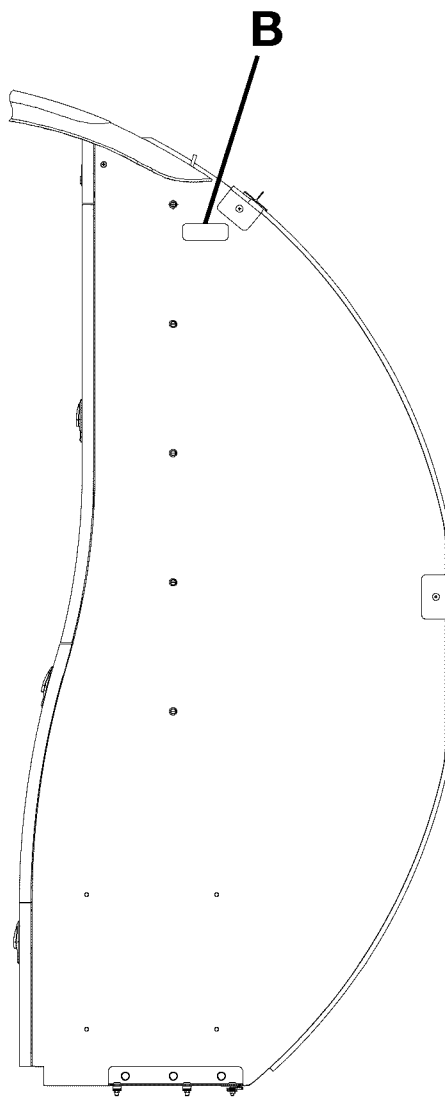
A97961



STOW CURTAIN FOR  
TAXI, TAKEOFF, AND LANDING.

150

▲ **DETAIL B**



**DETAIL A**

View Looking Aft at Left Hand Side  
Forward Refreshment Center

▲ Required for Dispatch

PORTUGUESE INTERIOR PLACARDS AND MARKINGS - FORWARD CABIN  
FIGURE 01 (SHEET 3)

6310T1168  
A4711953-25

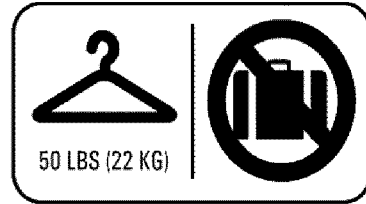
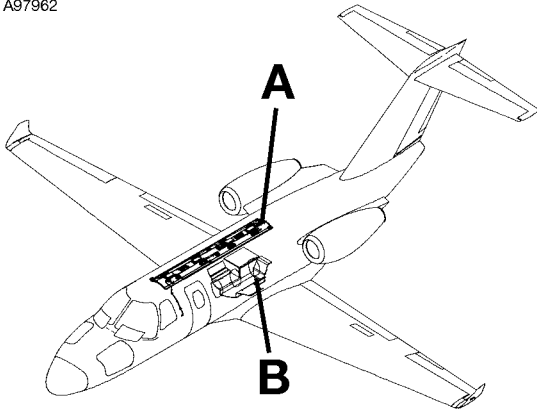
CESSNA®  
**MODEL 525 (SERIALS -0685 AND -0800 AND ON)**  
 ILLUSTRATED PARTS CATALOG

FIG ITEM	PART NUMBER	1 2 3 4 5 6 7	NOMENCLATURE	UNITS
				PER ASSY
01 150	4316002-8		. PLACARD-CURTAIN INSTRUCTIONS . . . . .	01 R

- ITEM NOT ILLUSTRATED

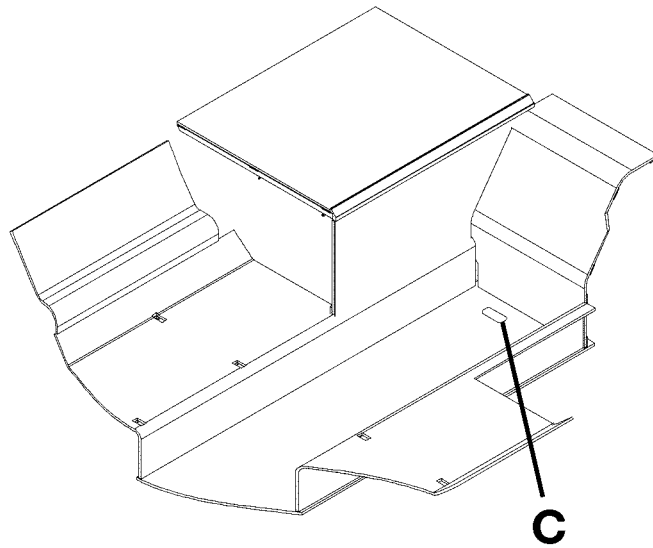
CESSNA®  
MODEL 525 (SERIALS -0685 AND -0800 AND ON)  
ILLUSTRATED PARTS CATALOG

A97962



1

▲ **DETAIL A**



**DETAIL B**



2

**DETAIL C**

▲ Required for Dispatch

6310T1168  
B6312T1217

PORTUGUESE INTERIOR PLACARDS AND MARKINGS - AFT CABIN  
FIGURE 02 (SHEET 1)



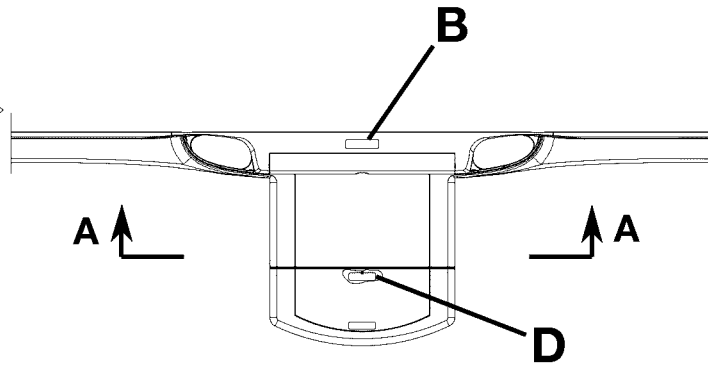
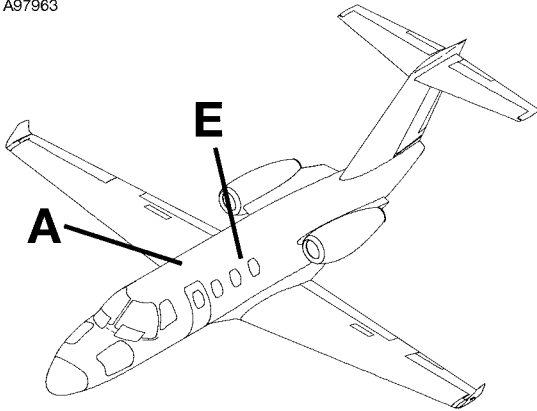
CESSNA®  
**MODEL 525 (SERIALS -0685 AND -0800 AND ON)**  
 ILLUSTRATED PARTS CATALOG

FIG ITEM	PART NUMBER	1 2 3 4 5 6 7	NOMENCLATURE	UNITS PER ASSY
02				
-			PORTUGUESE INTERIOR PLACARDS AND MARKINGS - AFT CABIN	0840 & ON RF R
1	4316002-34		. PLACARD-COAT ROD .....	01 R
2	4316008-17		. PLACARD-AIR INLET .....	01 R
- 3	4717018-8		. PLACARD-COVER .....	01 R

- ITEM NOT ILLUSTRATED

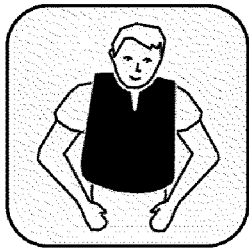
CESSNA®  
**MODEL 525 (SERIALS -0685 AND -0800 AND ON)**  
 ILLUSTRATED PARTS CATALOG

A97963



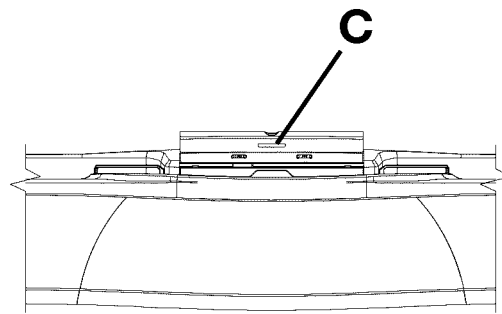
**DETAIL A**

Looking Down on Right Hand Sideledge



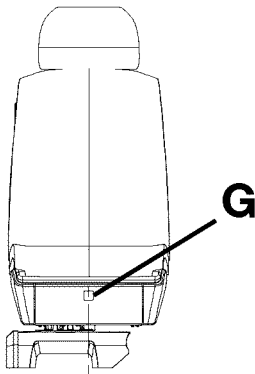
5

▲ **DETAIL F**



**VIEW A-A**

Table Lid Shown in Upright Position



**DETAIL E**

DURANTE TAXI, DECOLAGEM E ATERAGEM: LEVANTAR AS COSTAS DO ASSENTO; PUXAR O ENCOSTO DE CABEÇA; AFASTAR O ASSENTO DA MESA E DEPOIS PARA O LADO DE FORA; APERTAR O CINTO DE OMBROS.	FOR TAXI, TAKEOFF, AND LANDING: RAISE SEAT BACK, EXTEND HEADREST; TRACK SEAT AWAY FROM TABLE THEN OUTBOARD; FASTEN SHOULDER HARNESS.
----------------------------------------------------------------------------------------------------------------------------------------------------------------------------------------------	--------------------------------------------------------------------------------------------------------------------------------------------

1

▲ **DETAIL B**

DURANTE TAXI, DECOLAGEM E ATERAGEM: LEVANTAR AS COSTAS DO ASSENTO; PUXAR O ENCOSTO DE CABEÇA; AFASTAR O ASSENTO DA MESA E DEPOIS PARA O LADO DE FORA; APERTAR O CINTO DE OMBROS. COLETE SALVA-VIDAS NA BASE DO ASSENTO.	FOR TAXI, TAKEOFF, AND LANDING: RAISE SEAT BACK, EXTEND HEADREST; TRACK SEAT AWAY FROM TABLE THEN OUTBOARD; FASTEN SHOULDER HARNESS. LIFE VEST IN SEAT BASE.
----------------------------------------------------------------------------------------------------------------------------------------------------------------------------------------------------------------------------------------	-----------------------------------------------------------------------------------------------------------------------------------------------------------------------

2

▲ **DETAIL B**

RECOLHER DURANTE TAXI, DECOLAGEM E ATERAGEM.

STOW FOR TAXI, TAKEOFF, AND LANDING.

4

▲ **DETAIL D**

FECHAR O TABULEIRO DURANTE AS MANOBRAS  
 DE TAXI, DECOLAGEM E ATERAGEM.

CLOSE LID FOR TAXI, TAKEOFF, AND LANDING.

3

▲ **DETAIL C**

▲ Required for Dispatch

PORTUGUESE INTERIOR PLACARDS AND MARKINGS - CABIN SEATS  
 FIGURE 04 (SHEET 1)

6310T1168  
 A6319T1647  
 AA6319T1647  
 E6319T1648

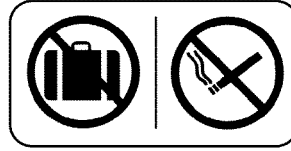
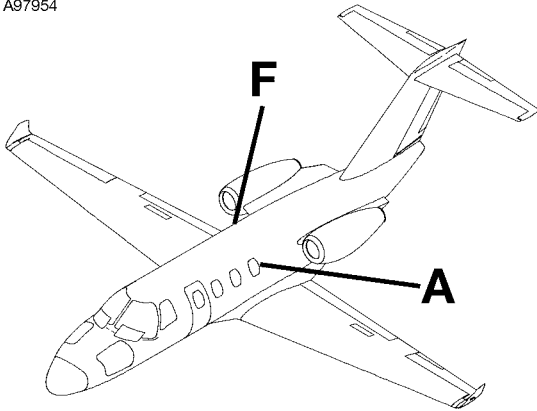
CESSNA®  
**MODEL 525 (SERIALS -0685 AND -0800 AND ON)**  
 ILLUSTRATED PARTS CATALOG

FIG ITEM	PART NUMBER	NOMENCLATURE	UNITS PER ASSY		
			1	2	3
04					
-		PORTUGUESE INTERIOR PLACARDS AND MARKINGS - CABIN SEATS	0840	& ON	RF R
1	4316005-28	. PLACARD-PASSENGER SEAT INSTRUCTIONS . . . . .			02 R
2	4316005-29	. PLACARD-PASSENGER SEAT INSTRUCTIONS -LIFEVEST . . . . .			02 R
3	4316005-16	. PLACARD-TABLE LID INSTRUCTRUCTIONS . . . . .			02 R
4	4316005-200	. PLACARD-TABLE INSTRUCTIONS . . . . .			04 R
5	4316002-32	. PLACARD-LIFEVEST . . . . .			04 R

- ITEM NOT ILLUSTRATED

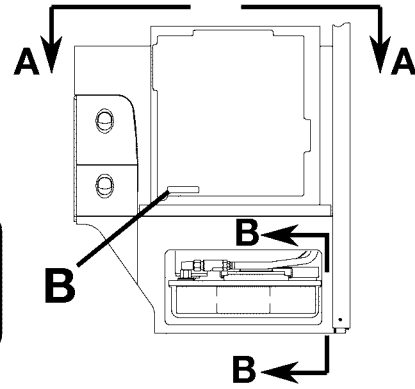
CESSNA®  
**MODEL 525 (SERIALS -0685 AND -0800 AND ON)**  
 ILLUSTRATED PARTS CATALOG

A97954



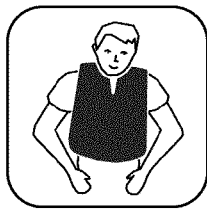
5

▲ **DETAIL G**



**DETAIL A**

View Looking Outboard



4

▲ **DETAIL E**



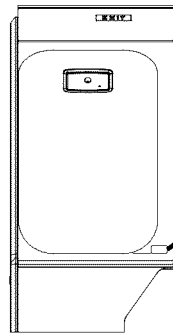
1

▲ **DETAIL B**

TOILET CHEMICAL  
 IS CORROSIVE.  
 USE EXTREME CARE  
 TO PREVENT SPILLAGE.  
 FOLLOW SERVICING  
 INSTRUCTIONS CAREFULLY.  
 CLEAN ANY SPILLAGE  
 IMMEDIATELY AND  
 REPORT IT TO THE CREW.

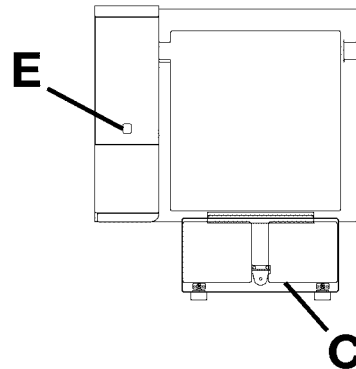
3

▲ **DETAIL D**

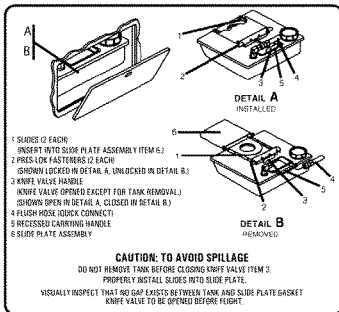


**DETAIL F**

View Looking Outboard



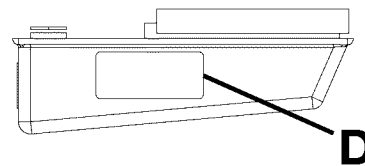
**VIEW A-A**



2

▲ **DETAIL C**

▲ Required for Dispatch



**VIEW B-B**

PORTUGUESE INTERIOR PLACARDS AND MARKINGS - LAVATORY  
 FIGURE 01 (SHEET 1)

6310T1168  
 A634T2000  
 AA634T2000  
 BB634T2000  
 G6314T1662

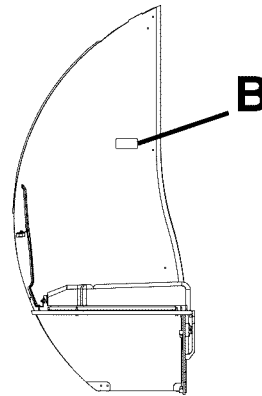
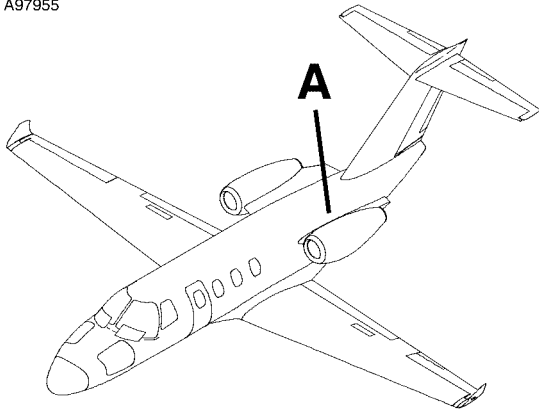
CESSNA®  
**MODEL 525 (SERIALS -0685 AND -0800 AND ON)**  
 ILLUSTRATED PARTS CATALOG

FIG ITEM	PART NUMBER	NOMENCLATURE	UNITS PER ASSY	
			1 2 3 4 5 6 7	
01				
-		PORTUGUESE INTERIOR PLACARDS AND MARKINGS - LAVATORY	0840	& ON RF R
1	4316005-15	. PLACARD-PRESS TO FLUSH . . . . .		01 R
2	4416002-56	. PLACARD-TOILET SERVICE INSTRUCTIONS . . . . .		01 R
3	4416000-153	. PLACARD-TOILET CARE . . . . .		01 R
4	4316002-32	. PLACARD-LIFEVEST . . . . .		01 R
5	4316002-33	. PLACARD-NO SMOKING . . . . .		01 R

- ITEM NOT ILLUSTRATED

CESSNA®  
**MODEL 525 (SERIALS -0685 AND -0800 AND ON)**  
 ILLUSTRATED PARTS CATALOG

A97955



DURANTE TÁXI, DESCOLAGEM E ATERragem:  
 RECOLHER A CORTINA;  
 FECHAR TODAS AS PORTAS DOS ARMÁRIOS E GAVETAS;  
 APERTAR O CINTO DE OMBROS.

COLETE SALVA-VIDAS NO CACIFO DO ASSENTO.

FOR TAXI, TAKEOFF, AND LANDING:  
 STOW CURTAIN;  
 CLOSE ALL CABINET DOORS AND DRAWERS;  
 FASTEN SHOULDER HARNESS.

LIFE VEST IN SEAT CABINET.

78

▲ **DETAIL B**

**DETAIL A**

View Looking Forward at Left Hand Side  
 Toilet Assembly and Left Hand Side Aft Divider

DURANTE TÁXI, DESCOLAGEM E ATERragem:  
 MANTER AS PORTAS CORREDIÇAS ABERTAS;  
 FECHAR TODAS AS PORTAS DOS ARMÁRIOS E GAVETAS;  
 APERTAR O CINTO DE OMBROS.

FOR TAXI, TAKEOFF, AND LANDING:  
 LATCH SLIDING DOOR OPEN;  
 CLOSE ALL CABINET DOORS AND DRAWERS;  
 FASTEN SHOULDER HARNESS.

75

▲ **DETAIL B**

DURANTE TÁXI, DESCOLAGEM E ATERragem:  
 RECOLHER A CORTINA;  
 FECHAR TODAS AS PORTAS DOS ARMÁRIOS E GAVETAS;  
 APERTAR O CINTO DE OMBROS.

FOR TAXI, TAKEOFF, AND LANDING:  
 STOW CURTAIN;  
 CLOSE ALL CABINET DOORS AND DRAWERS;  
 FASTEN SHOULDER HARNESS.

77

▲ **DETAIL B**

DURANTE TÁXI, DESCOLAGEM E ATERragem:  
 MANTER AS PORTAS CORREDIÇAS ABERTAS;  
 FECHAR TODAS AS PORTAS DOS ARMÁRIOS E GAVETAS;  
 APERTAR O CINTO DE OMBROS.

COLETE SALVA-VIDAS NO CACIFO DO ASSENTO.

FOR TAXI, TAKEOFF, AND LANDING:  
 LATCH SLIDING DOOR OPEN;  
 CLOSE ALL CABINET DOORS AND DRAWERS;  
 FASTEN SHOULDER HARNESS.

LIFE VEST IN SEAT CABINET.

76

▲ **DETAIL B**

▲ Required for Dispatch

6310T1168  
 A6319T1650

PORTUGUESE INTERIOR PLACARDS AND MARKINGS - LAVATORY  
 FIGURE 01 (SHEET 2)

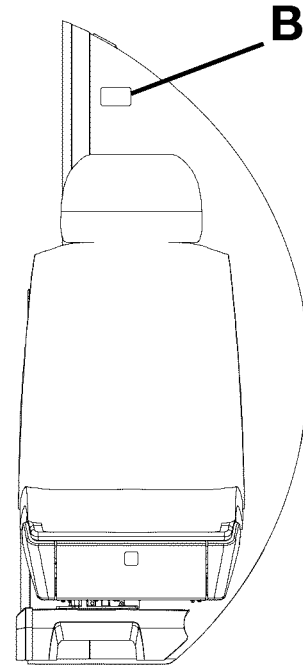
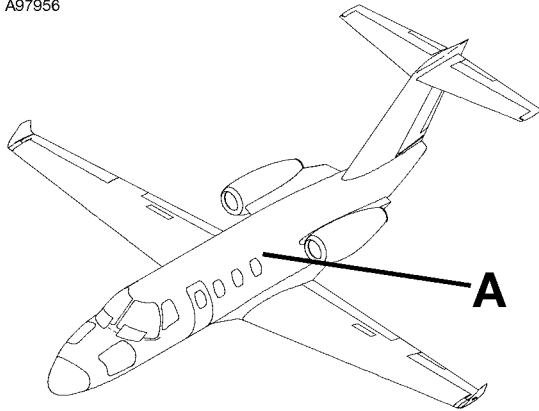
CESSNA®  
**MODEL 525 (SERIALS -0685 AND -0800 AND ON)**  
 ILLUSTRATED PARTS CATALOG

FIG ITEM	PART NUMBER	NOMENCLATURE	UNITS PER ASSY		
			1	2	3
01					
75	4316005-22	. PLACARD-TOILET INSTRUCTIONS (DOOR) . . . . .	0840	& ON	01 R
76	4316005-21	. PLACARD-TOILET INSTRUCTIONS (DOOR) LIFE VEST . . . . .	0840	& ON	01 R
77	4316005-14	. PLACARD-TOILET INSTRUCTIONS (CURTAIN) . . . . .	0840	& ON	01 R
78	4316005-23	. PLACARD-TOILET INSTRUCTIONS (CURTAIN) LIFE VEST . . . . .	0840	& ON	01 R

- ITEM NOT ILLUSTRATED

CESSNA®  
**MODEL 525 (SERIALS -0685 AND -0800 AND ON)**  
ILLUSTRATED PARTS CATALOG

A97956



**DETAIL A**  
Looking Aft

**NÃO FUMAR NA CASA-DE-BANHO.**

**RECOLHER A CORTINA DURANTE  
TÁXI, DESCOLAGEM E ATERRAGEM.**

---

**NO SMOKING IN LAVATORY.**

**STOW CURTAIN  
FOR TAXI, TAKEOFF, AND LANDING.**

**2**  
▲ **DETAIL B**

**NAO FUMAR NA CASA-DE-BANHO.**

**MANTER AS PORTAS CORREDIÇAS ABERTAS  
DURANTE TÁXI, DESCOLAGEM E ATERRAGEM.**

---

**NO SMOKING IN LAVATORY.**

**LATCH SLIDING DOOR OPEN  
FOR TAXI, TAKEOFF, AND LANDING.**

**1**  
▲ **DETAIL B**

▲ Required for Dispatch

PORTUGUESE INTERIOR PLACARDS AND MARKINGS - DIVIDERS  
FIGURE 02 (SHEET 1)

6310T1168  
A6319T1649



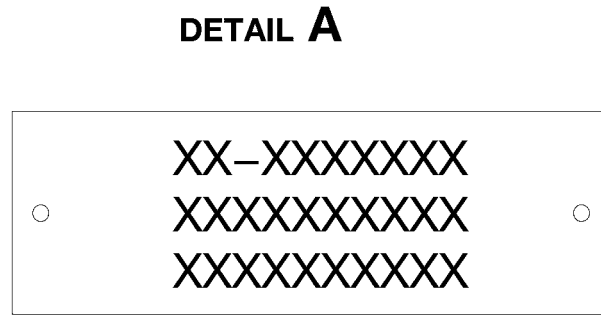
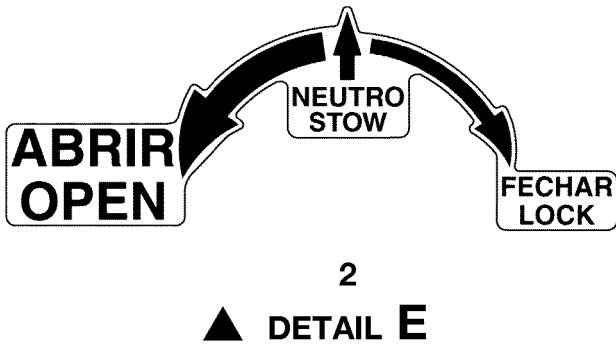
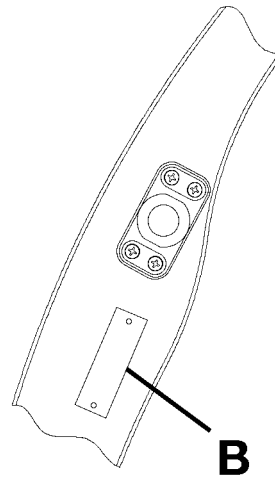
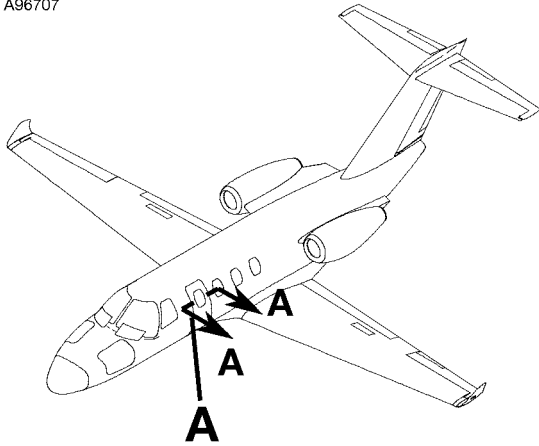
CESSNA®  
**MODEL 525 (SERIALS -0685 AND -0800 AND ON)**  
 ILLUSTRATED PARTS CATALOG

FIG ITEM	PART NUMBER	1 2 3 4 5 6 7	NOMENCLATURE	UNITS PER ASSY		
02						
-			PORTUGUESE INTERIOR PLACARDS AND MARKINGS - DIVIDERS	0840	& ON	RF R
1	4316005-20		. PLACARD-AFT CABIN INSTRUCTIONS (DOOR) . . . . .			01 R
2	4316005-19		. PLACARD-AFT CABIN INSTRUCTIONS (CURTAIN) . . . . .			01 R

- ITEM NOT ILLUSTRATED

CESSNA®  
**MODEL 525 (SERIALS -0685 AND -0800 AND ON)**  
 ILLUSTRATED PARTS CATALOG

A96707

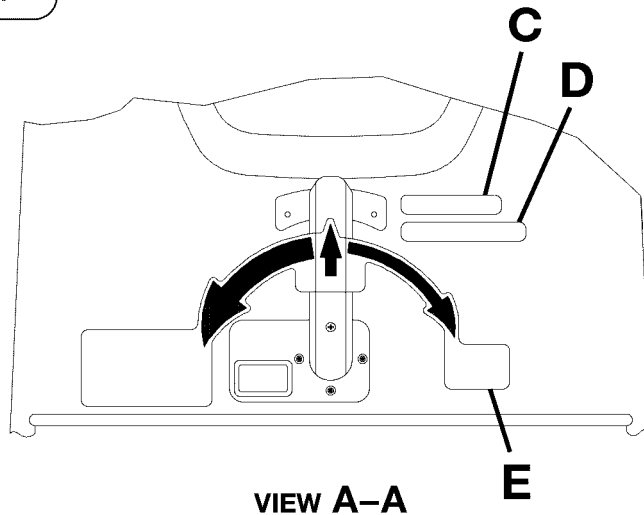


PARA SOLTAR: CARREGAR NO BOTÃO,  
 PUXAR O GATILHO DO MANÍPULO.



4  
 DETAIL B

TO RELEASE: PUSH BUTTON,  
 PULL TRIGGER ON HANDLE.



▲ Required for Dispatch

6310T1168  
 A659T0008  
 AA4711T986-2

PORTUGUESE INTERIOR PLACARDS AND MARKINGS - CABIN DOOR  
 FIGURE 01 (SHEET 1)

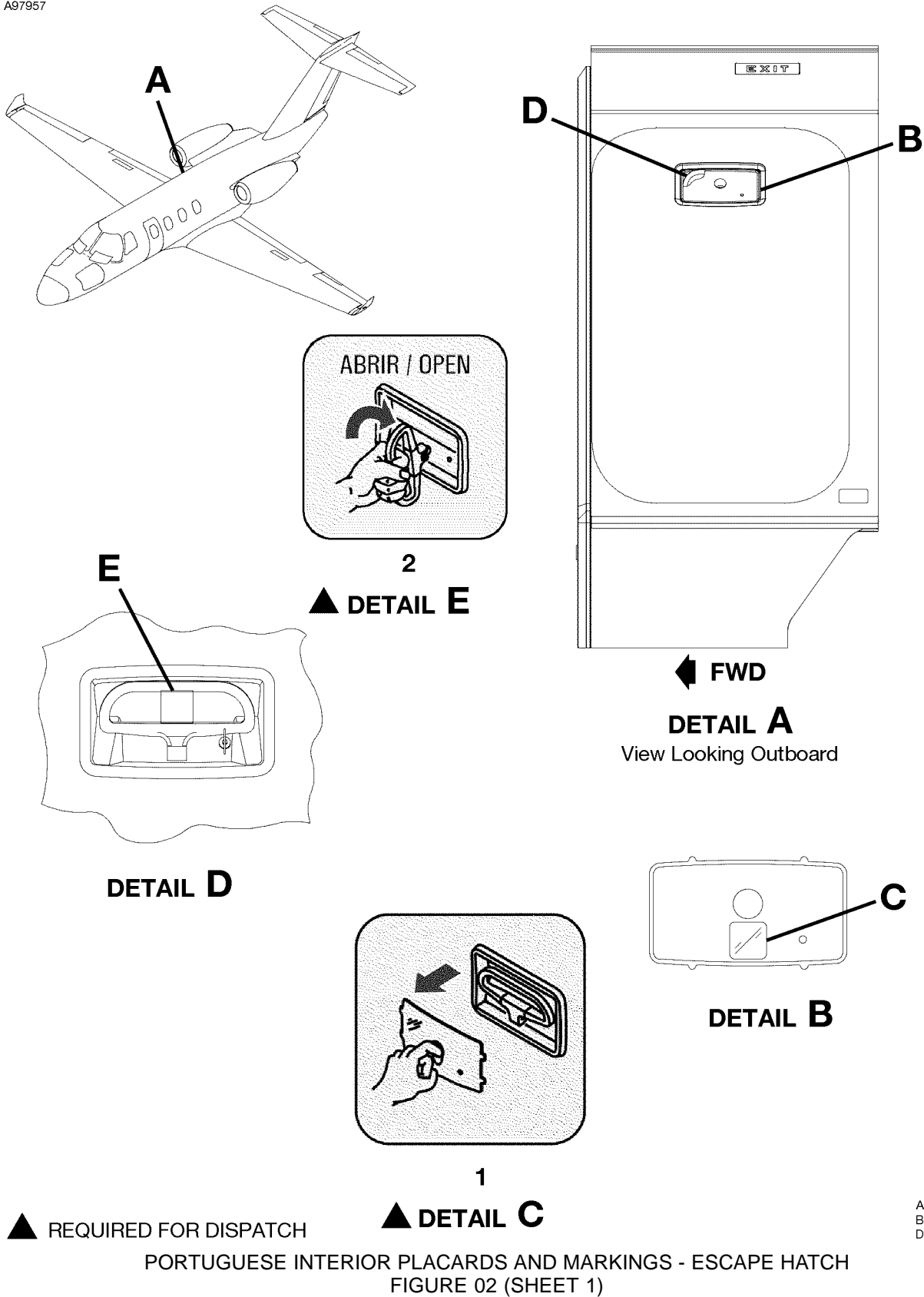
CESSNA®  
**MODEL 525 (SERIALS -0685 AND -0800 AND ON)**  
 ILLUSTRATED PARTS CATALOG

FIG ITEM	PART NUMBER	NOMENCLATURE	UNITS	
			PER	ASSY
01				
-		PORTUGUESE INTERIOR PLACARDS AND MARKINGS - CABIN DOOR		RF
1	4316002-19	. DECAL-CABIN DOOR HANDLE INSTRUCTIONS . . . . .	0840	& ON 01 R
2	4316005-24	. DECAL-CABIN DOOR INSTRUCTIONS . . . . .	0840	& ON 01 R
3	4316005-25	. DECAL-CABIN DOOR HANDLE INSTRUCTIONS . . . . .	0840	& ON 01 R
4	6590008-65	. CERTIFICATION PLATE REFER TO NOTE 1 . . . . .	0853	& ON 01 R

NOTE 1—WHEN ORDERING THIS PART, THE OWNER MUST SEND A NOTARIZED DOCUMENT STATING THE REASON FOR ORDERING A NEW ID PLATE, THE TYPE CERTIFICATE NUMBER, THE PRODUCTION CERTIFICATE NUMBER, THE ID PLATE NUMBER, AND THE MODEL NUMBER. THE OLD ID PLATE FROM THE AIRPLANE SHOULD BE ATTACHED TO THE ORDER, IF AVAILABLE. IF NOT ATTACHED, THE NEW PLATE WILL BE STAMPED DUPLICATE.

CESSNA®  
**MODEL 525 (SERIALS -0685 AND -0800 AND ON)**  
 ILLUSTRATED PARTS CATALOG

A97957



6310T1168  
 A6310T1180  
 B6310T1180  
 D6310T1180

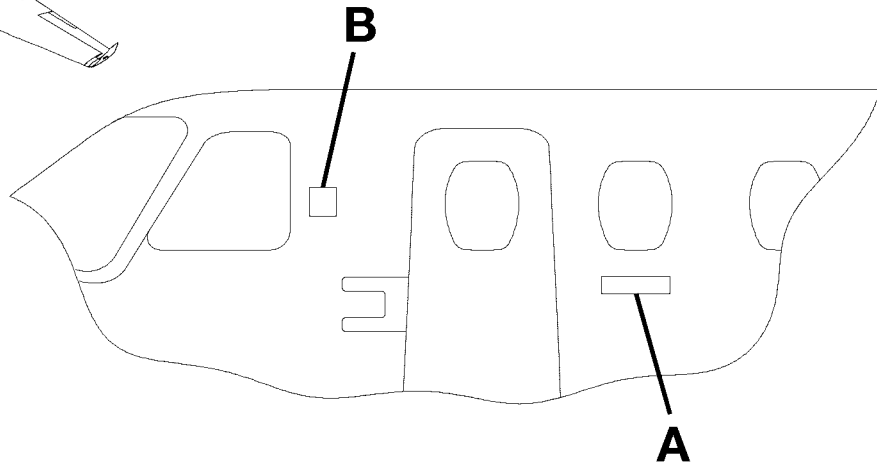
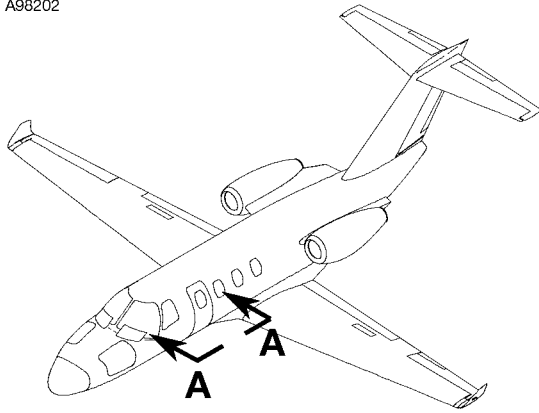
CESSNA®  
**MODEL 525 (SERIALS -0685 AND -0800 AND ON)**  
 ILLUSTRATED PARTS CATALOG

FIG ITEM	PART NUMBER	NOMENCLATURE	UNITS PER ASSY		
			1	2	3
02					
-		PORTUGUESE INTERIOR PLACARDS AND MARKINGS - ESCAPE HATCH	0840	& ON	RF R
1	4316002-26	. PLACARD-REMOVE COVER .....			01 R
2	4316018-24	. PLACARD-OPEN .....			01 R

- ITEM NOT ILLUSTRATED

CESSNA®  
MODEL 525 (SERIALS -0685 AND -0800 AND ON)  
ILLUSTRATED PARTS CATALOG

A98202



VIEW A-A



3  
DETAIL B

CITATION  
M2

1  
DETAIL A

6310T1168  
AA6314T1174

GERMAN EXTERIOR PLACARDS AND MARKINGS - FUSELAGE  
FIGURE 02 (SHEET 1)

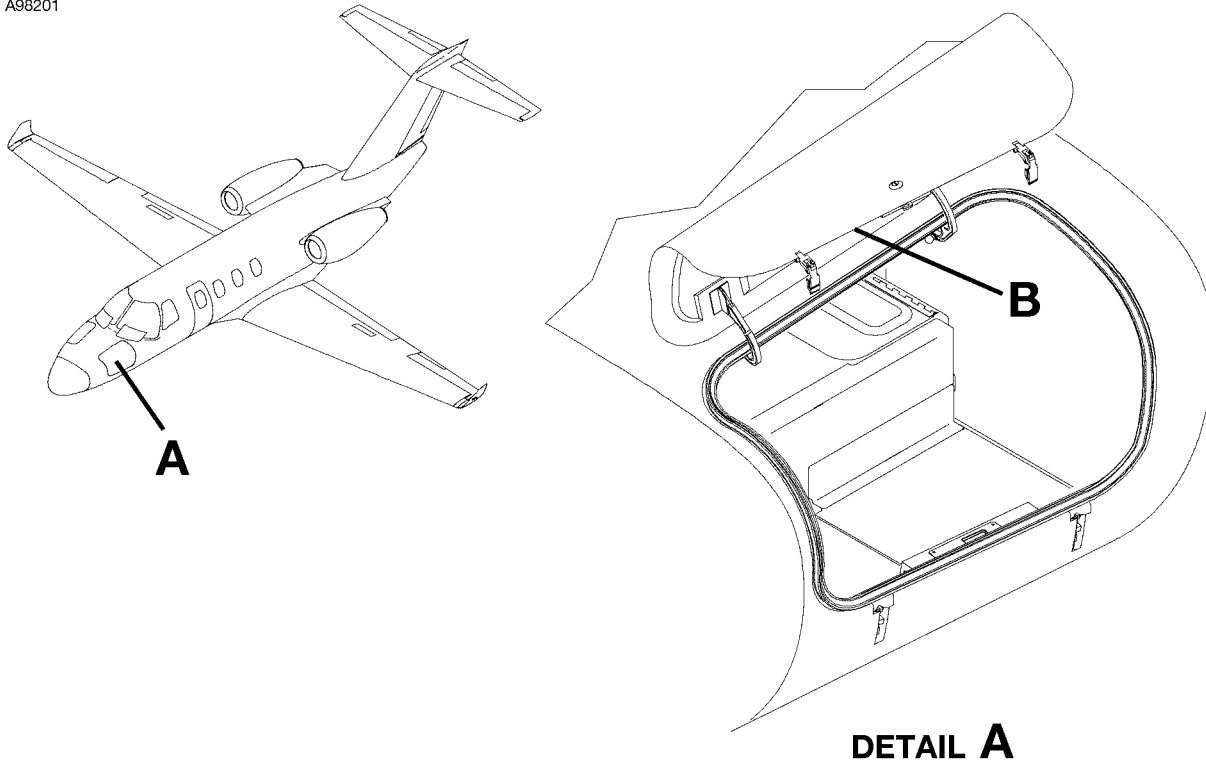
CESSNA®  
**MODEL 525 (SERIALS -0685 AND -0800 AND ON)**  
 ILLUSTRATED PARTS CATALOG

FIG ITEM	PART NUMBER	NOMENCLATURE	UNITS PER ASSY
	1 2 3 4 5 6 7		
02		GERMAN EXTERIOR PLACARDS AND MARKINGS - FUSELAGE	0840 & ON RF R
-			
- 1	4416001-32	. DECAL-M2 INSIGNIA . . . . .	02 R
- 2	4416001-31	. PAINTMASK-M2 INSIGNIA . . . . .	01 R
- 3	6505010-124	. DECAL-CESSNA LOGO . . . . .	02 R
- 4	6505010-123	. PAINTMASK-CESSNA LOGO . . . . .	01 R

- ITEM NOT ILLUSTRATED

CESSNA®  
MODEL 525 (SERIALS -0685 AND -0800 AND ON)  
ILLUSTRATED PARTS CATALOG

A98201



MAXIMUM WEIGHT ALLOWANCE  
400 LBS (181 KG).  
MAXIMUM FLOOR LOADING  
35 LBS/FT<sup>2</sup> (170 KG/M<sup>2</sup>).  
SEE AFM FOR WEIGHT  
AND BALANCE DATA.

1

▲ DETAIL B

▲ Required for Dispatch

GERMAN EXTERIOR PLACARDS AND MARKINGS - NOSE BAGGAGE  
FIGURE 01 (SHEET 1)

6310T1168  
A6313T1003



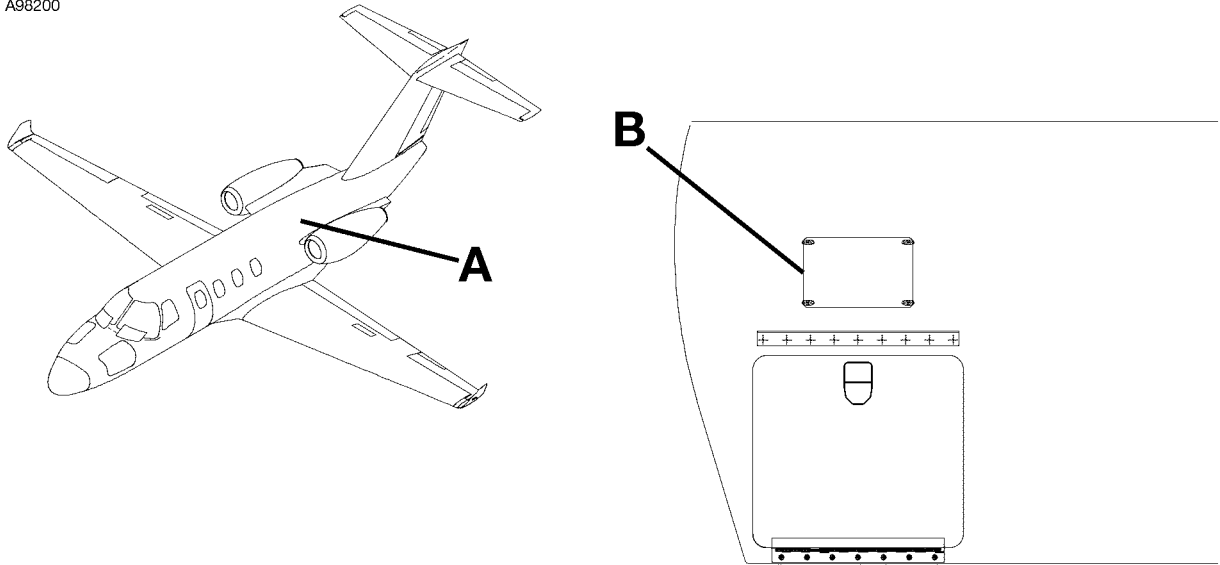
CESSNA®  
**MODEL 525 (SERIALS -0685 AND -0800 AND ON)**  
 ILLUSTRATED PARTS CATALOG

FIG ITEM	PART NUMBER	1 2 3 4 5 6 7	NOMENCLATURE	UNITS PER ASSY		
01						
-			GERMAN EXTERIOR PLACARDS AND MARKINGS - NOSE BAGGAGE	0840	& ON	RF R
1	4416000-163		. PLACARD-NOSE BAGGAGE WEIGHT . . . . .			02 R

- ITEM NOT ILLUSTRATED

CESSNA®  
MODEL 525 (SERIALS -0685 AND -0800 AND ON)  
ILLUSTRATED PARTS CATALOG

A98200



**DETAIL A**

Looking Forward at Left Hand Side Forward Wall

⊕ MAXIMUM WEIGHT ALLOWANCE ⊕  
325 LBS (147 KG).  
MAXIMUM FLOOR LOADING  
100 LBS/FT<sup>2</sup> (488 KG/M<sup>2</sup>).  
SEE AFM FOR WEIGHT AND BALANCE DATA.  
  
SECURE BAGGAGE WITH CARGO NET.  
  
⊕ LATCH ALL DOORS PRIOR TO FLIGHT. ⊕

1

▲ **DETAIL B**

▲ Required for Dispatch

GERMAN EXTERIOR PLACARDS AND MARKINGS - AFT BAGGAGE  
FIGURE 02 (SHEET 1)

6310T1168  
A6312T1220

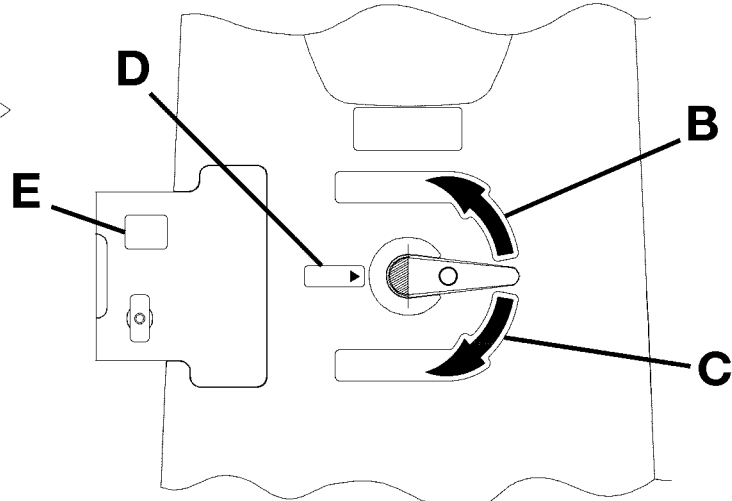
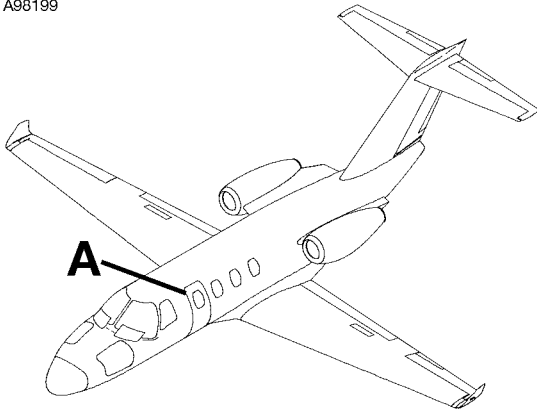
CESSNA®  
**MODEL 525 (SERIALS -0685 AND -0800 AND ON)**  
 ILLUSTRATED PARTS CATALOG

FIG ITEM	PART NUMBER	NOMENCLATURE	UNITS PER ASSY		
			1	2	3
02					
-		GERMAN EXTERIOR PLACARDS AND MARKINGS - AFT BAGGAGE	0840	& ON	RF R
1	4416004-58	. PLACARD-MAX BAGGAGE WEIGHT 325LB . . . . .			01 R
		ATTACHING PARTS			
- 2	MS35214-14	. SCREW . . . . .			04 R
- 3	MS21069L04	. NUTPLATE . . . . .			04 R
		—*—			

- ITEM NOT ILLUSTRATED

CESSNA®  
**MODEL 525 (SERIALS -0685 AND -0800 AND ON)**  
 ILLUSTRATED PARTS CATALOG

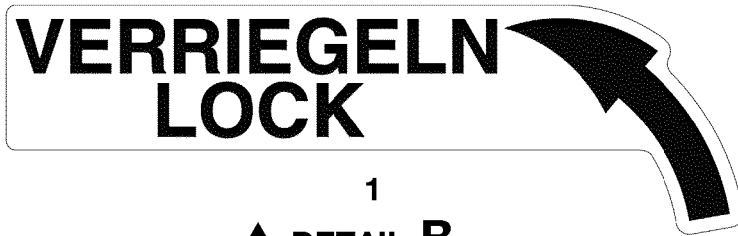
A98199



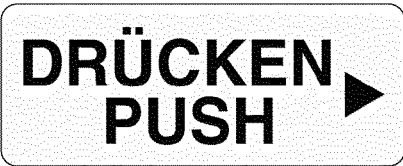
**DETAIL A**  
 (View Looking Inboard at Entry Door)

**DOOR CATCH  
 RELEASE INSIDE  
 BEHIND THIS  
 PLACARD. RAISE  
 STEPS BEFORE  
 CLOSING DOOR.**

4  
**DETAIL E**



1  
 ▲ **DETAIL B**



3  
 ▲ **DETAIL D**



2  
 ▲ **DETAIL C**

▲ Required for Dispatch

6310T1168  
 A6319T1646

GERMAN EXTERIOR PLACARDS AND MARKINGS - CABIN DOOR  
 FIGURE 01 (SHEET 1)

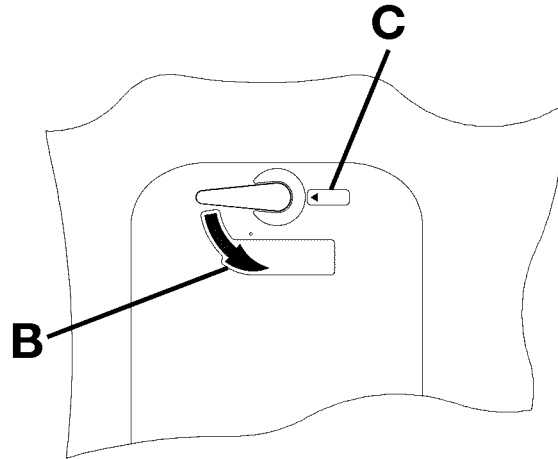
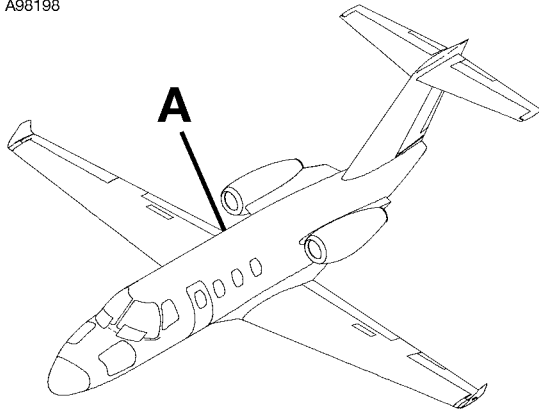
CESSNA®  
**MODEL 525 (SERIALS -0685 AND -0800 AND ON)**  
 ILLUSTRATED PARTS CATALOG

FIG ITEM	PART NUMBER	NOMENCLATURE	UNITS PER ASSY		
			1	2	3
01					
-		GERMAN EXTERIOR PLACARDS AND MARKINGS - CABIN DOOR	0840	& ON	RF R
1	4316007-16	. DECAL-LOCK			01 R
2	4316007-17	. DECAL-OPEN			01 R
3	4316007-15	. DECAL-PUSH			01 R
4	4416000-172	. PLACARD-PRECATCH HANDLE			01 R

- ITEM NOT ILLUSTRATED

CESSNA®  
MODEL 525 (SERIALS -0685 AND -0800 AND ON)  
ILLUSTRATED PARTS CATALOG

A98198



**DETAIL A**

Looking Inboard at Escape Hatch



1

▲ **DETAIL B**



2

▲ **DETAIL C**

▲ Required for Dispatch

6310T1168  
A4711953-2

GERMAN EXTERIOR PLACARDS AND MARKINGS - ESCAPE HATCH  
FIGURE 02 (SHEET 1)

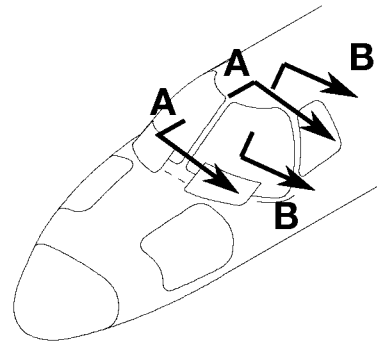
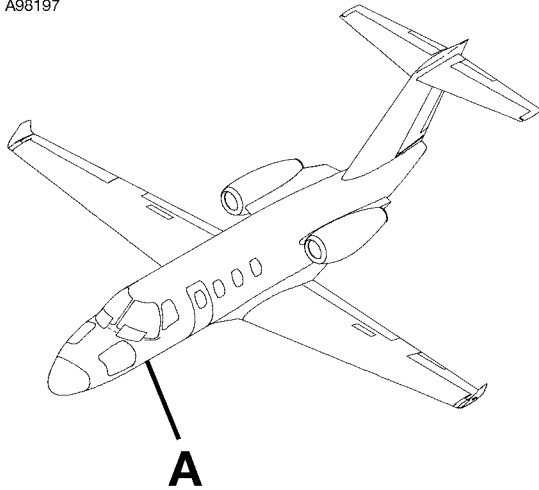
CESSNA®  
**MODEL 525 (SERIALS -0685 AND -0800 AND ON)**  
 ILLUSTRATED PARTS CATALOG

FIG ITEM	PART NUMBER	1 2 3 4 5 6 7	NOMENCLATURE	UNITS PER ASSY		
02						
-			GERMAN EXTERIOR PLACARDS AND MARKINGS - ESCAPE HATCH	0840	& ON	RF R
1	4316007-6		. DECAL-EMERGENCY EXIT OPEN . . . . .			01 R
2	4316007-7		. DECAL-EMERGENCY EXIT PUSH . . . . .			01 R

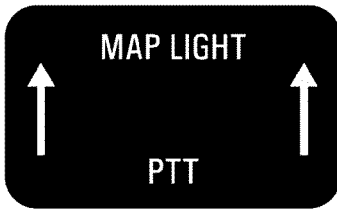
- ITEM NOT ILLUSTRATED

CESSNA®  
**MODEL 525 (SERIALS -0685 AND -0800 AND ON)**  
 ILLUSTRATED PARTS CATALOG

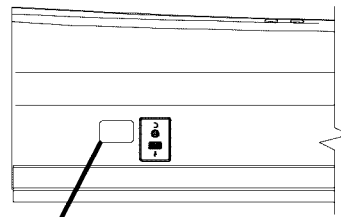
A98197



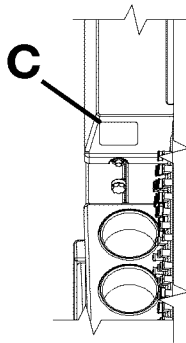
**DETAIL A**



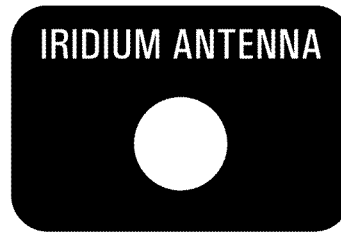
**2**  
**DETAIL C**



**B**  
**VIEW A-A**



**VIEW B-B**  
 View Looking at Left Hand Side Console



**1**  
**DETAIL B**

6310T1168  
 B6310T1168  
 AA6310T1183  
 BB6310T1184

GERMAN INTERIOR PLACARDS AND MARKINGS - LH CONSOLE  
 FIGURE 04 (SHEET 1)



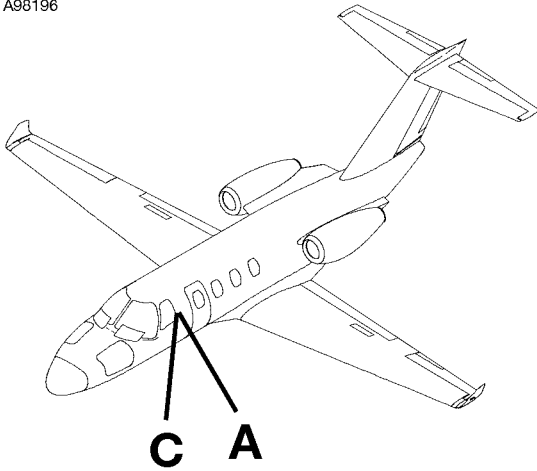
CESSNA®  
**MODEL 525 (SERIALS -0685 AND -0800 AND ON)**  
 ILLUSTRATED PARTS CATALOG

FIG ITEM	PART NUMBER	1 2 3 4 5 6 7	NOMENCLATURE	UNITS PER ASSY		
				0840	& ON	RF R
04			GERMAN INTERIOR PLACARDS AND MARKINGS - LH CONSOLE			
-			. PLACARD-IRIDIUM ANTENNA . . . . .			01 R
1	4316002-35		. PLACARD-MAP LIGHT . . . . .			02 R
2	4316002-38					

- ITEM NOT ILLUSTRATED

CESSNA®  
**MODEL 525 (SERIALS -0685 AND -0800 AND ON)**  
 ILLUSTRATED PARTS CATALOG

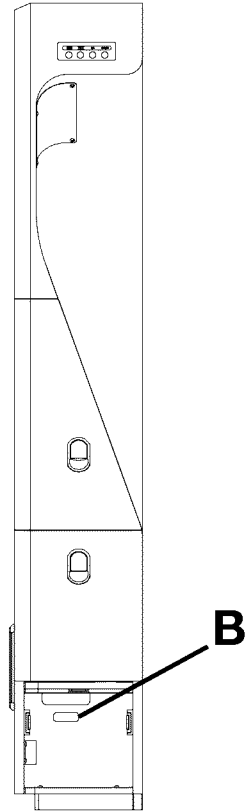
A98196



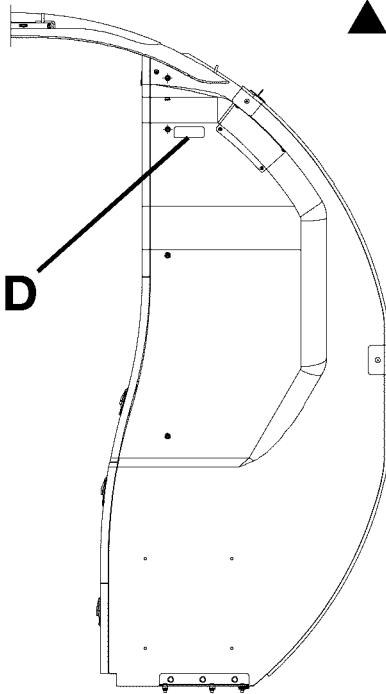
STOW CURTAIN FOR  
 TAXI, TAKEOFF, AND LANDING.

2

▲ **DETAIL D**



**DETAIL A**



**DETAIL C**

Looking Aft at Left Hand Cabinet Assembly

CABIN BRIEFER  
 PROGRAM LOAD PORT

1

**DETAIL B**

▲ Required for Dispatch

6310T1168  
 A471T1953  
 C471T1953

GERMAN INTERIOR PLACARDS AND MARKINGS - FLIGHT COMPARTMENT  
 FIGURE 05 (SHEET 1)

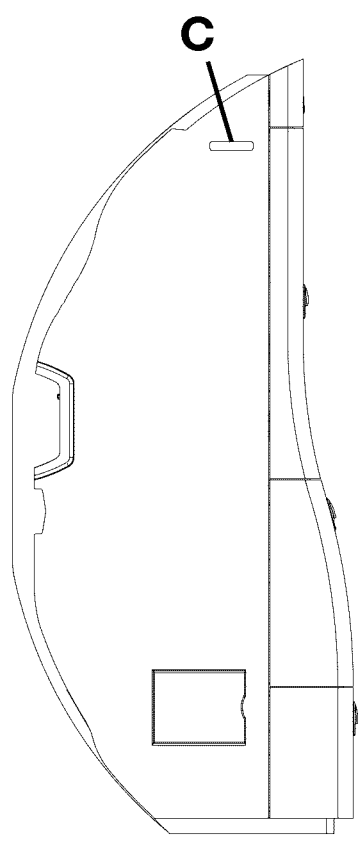
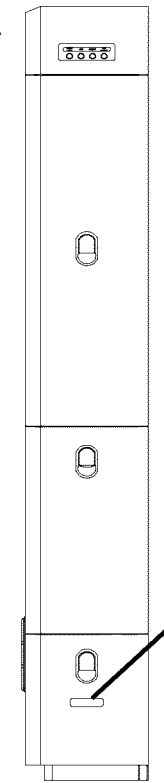
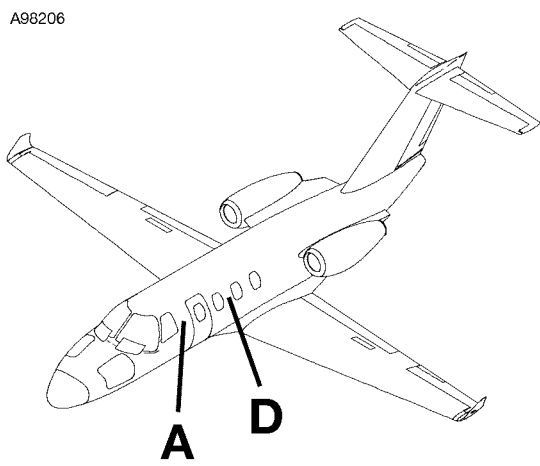
CESSNA®  
**MODEL 525 (SERIALS -0685 AND -0800 AND ON)**  
 ILLUSTRATED PARTS CATALOG

FIG ITEM	PART NUMBER	NOMENCLATURE	UNITS PER ASSY	
			1 2 3 4 5 6 7	
05		GERMAN INTERIOR PLACARDS AND MARKINGS - FLIGHT COMPARTMENT	0840	& ON RF R
-		. PLACARD-CABIN BRIEFER PORT . . . . .		01 R
1	4316002-40	. PLACARD-CURTAIN STOWAGE . . . . .		01 R
2	4316002-8			

- ITEM NOT ILLUSTRATED

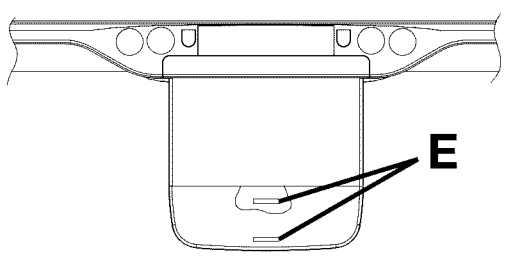
CESSNA®  
**MODEL 525 (SERIALS -0685 AND -0800 AND ON)**  
 ILLUSTRATED PARTS CATALOG

A98206



**BEIM ROLLEN, START UND LANDING VERSTAUEN.**  
**STOW FOR TAXI, TAKEOFF, AND LANDING.**

**3**  
**▲ DETAIL E**



**DETAIL D**

Looking Down on Right Hand Side Deployed Table,  
 Left Hand Side Opposite

**DETAIL A**

**VIEW A-A**

**BEIM ROLLEN, START UND LANDING ALLE  
 SCHRANKTÜREN UND SCHUBLADEN SCHLIESSEN.**  
**CLOSE ALL CABINET DOORS AND DRAWERS  
 FOR TAXI, TAKEOFF, AND LANDING.**

**2**  
**▲ DETAIL C**

**KEIN ASCHENBECHER; ABFALLBEHÄLTER  
 AUS METALL MUSS INSTALLIERT SEIN.**  
**NO CIGARETTE DISPOSAL;  
 METAL TRASH LINER REQUIRED.**

**1**  
**▲ DETAIL B**

6310T1168  
 A6320T1021  
 AA6320T1021  
 D6320T1021

**▲ Required for Dispatch**

GERMAN INTERIOR PLACARDS AND MARKINGS - FORWARD CABIN  
 FIGURE 01 (SHEET 1)

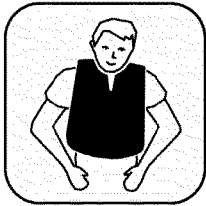
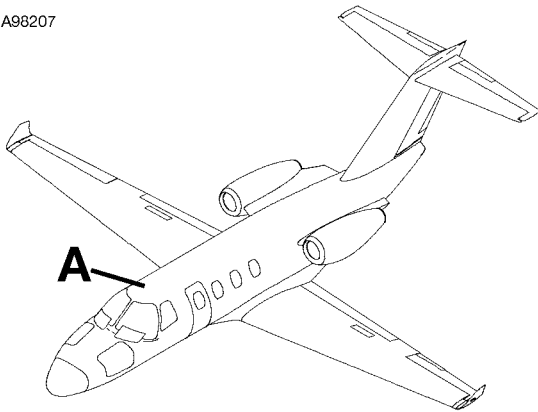
CESSNA®  
**MODEL 525 (SERIALS -0685 AND -0800 AND ON)**  
 ILLUSTRATED PARTS CATALOG

FIG ITEM	PART NUMBER	1 2 3 4 5 6 7	NOMENCLATURE	UNITS PER ASSY
01			GERMAN INTERIOR PLACARDS AND MARKINGS - FORWARD CABIN	0840 & ON RF R
-				
1	4316007-20		. PLACARD-TRASH CONTAINER W/LINER . . . . .	01 R
2	4316007-23		. PLACARD-CABINET INSTRUCTIONS . . . . .	01 R
3	4316007-200		. PLACARD-TABLE INSTRUCTIONS . . . . .	04 R

- ITEM NOT ILLUSTRATED

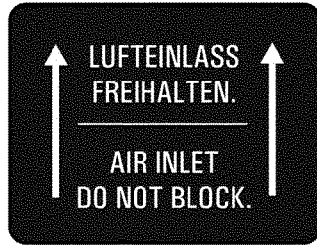
CESSNA®  
**MODEL 525 (SERIALS -0685 AND -0800 AND ON)**  
 ILLUSTRATED PARTS CATALOG

A98207



79

▲ **DETAIL C**



77

**DETAIL D**



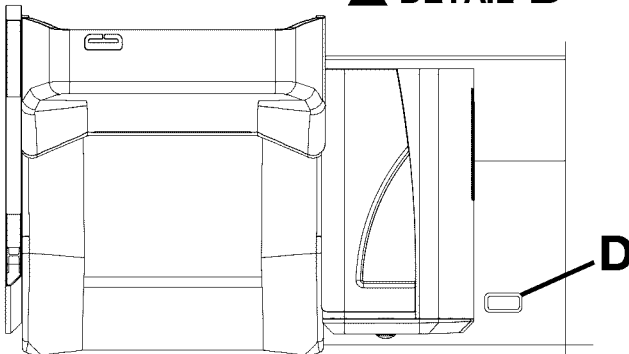
76

▲ **DETAIL B**



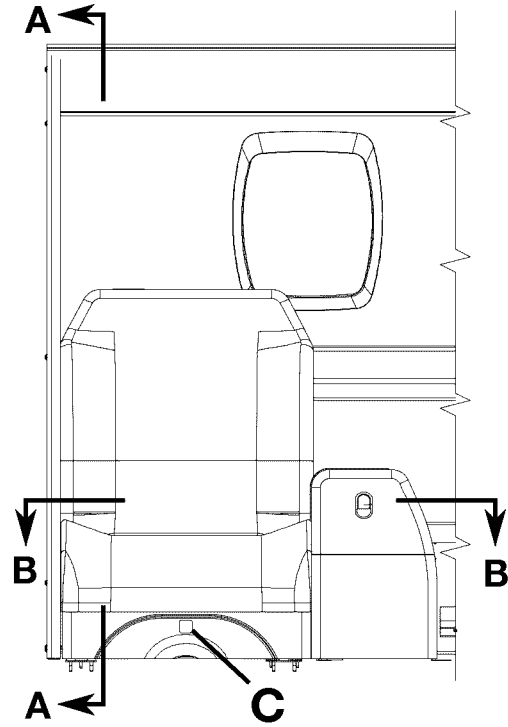
75

▲ **DETAIL B**



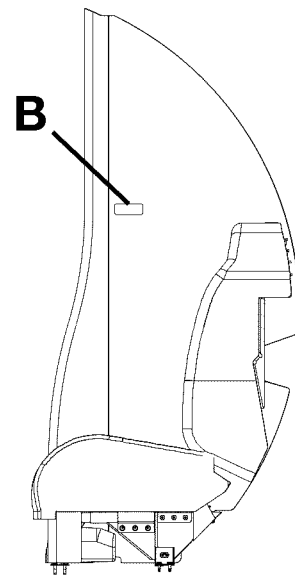
**VIEW B-B**

▲ Required for Dispatch



**DETAIL A**

Looking Outboard at Side Facing Seat



**VIEW A-A**

6310T1168  
 A6320T1021  
 AA6320T1021  
 BB6320T1021

GERMAN INTERIOR PLACARDS AND MARKINGS - FORWARD CABIN  
 FIGURE 01 (SHEET 2)

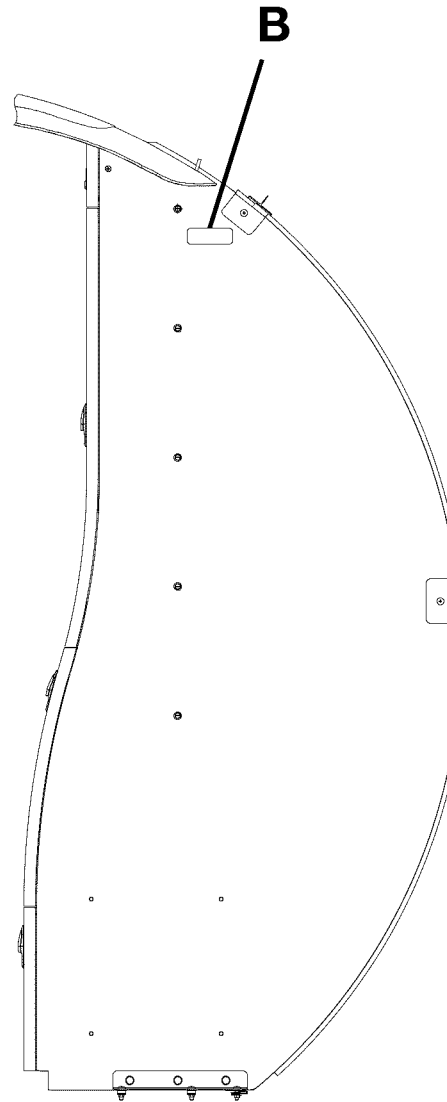
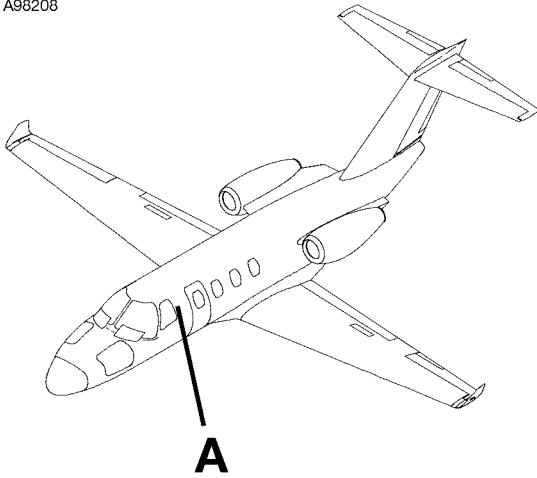
CESSNA®  
**MODEL 525 (SERIALS -0685 AND -0800 AND ON)**  
 ILLUSTRATED PARTS CATALOG

FIG ITEM	PART NUMBER	NOMENCLATURE	UNITS PER ASSY
	1 2 3 4 5 6 7		
01			
75	4316007-21	. PLACARD-SIDE FACING SEAT W/O ARMREST . . . . .	01 R
76	4316007-14	. PLACARD-SIDE FACING SEAT W/O ARMREST . . . . .	01 R
77	4316007-24	. PLACARD-AIR INLET . . . . .	01 R
- 78	4717197-5	. PLACARD-COVER . . . . .	01 R
79	4316002-32	. PLACARD-LIFE VEST . . . . .	01 R

- ITEM NOT ILLUSTRATED

CESSNA®  
MODEL 525 (SERIALS -0685 AND -0800 AND ON)  
ILLUSTRATED PARTS CATALOG

A98208



STOW CURTAIN FOR  
TAXI, TAKEOFF, AND LANDING.

150

▲ **DETAIL B**

**DETAIL A**

View Looking Aft at Left Hand Side  
Forward Refreshment Center

▲ Required for Dispatch

GERMAN INTERIOR PLACARDS AND MARKINGS - FORWARD CABIN  
FIGURE 01 (SHEET 3)

6310T1168  
A4711953-25



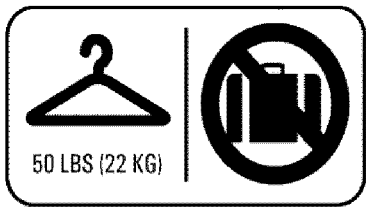
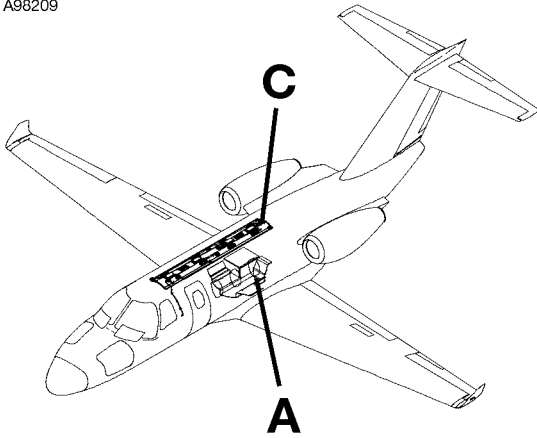
CESSNA®  
**MODEL 525 (SERIALS -0685 AND -0800 AND ON)**  
 ILLUSTRATED PARTS CATALOG

FIG ITEM	PART NUMBER	1 2 3 4 5 6 7	NOMENCLATURE	UNITS PER ASSY
01 150	4316002-8		. PLACARD-CURTAIN INSTRUCTIONS . . . . .	01 R

- ITEM NOT ILLUSTRATED

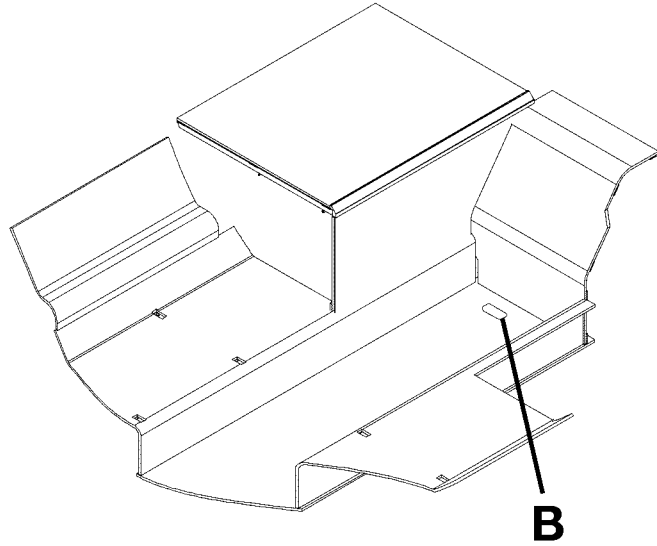
CESSNA®  
**MODEL 525 (SERIALS -0685 AND -0800 AND ON)**  
 ILLUSTRATED PARTS CATALOG

A98209

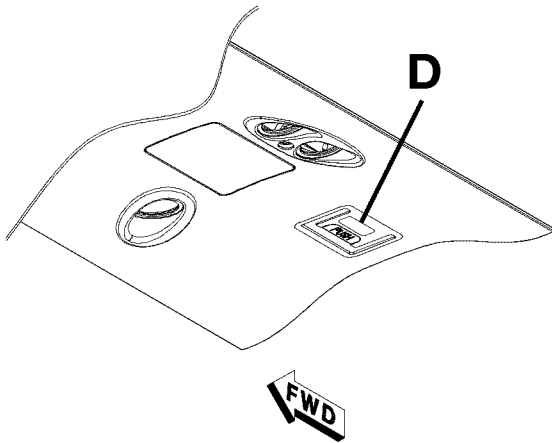


3

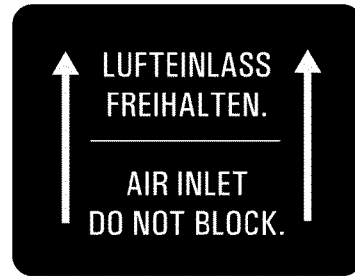
▲ **DETAIL D**



**DETAIL A**



**DETAIL C**



1

**DETAIL B**

▲ Required for Dispatch

6310T1168  
 A6312T1217  
 C6312T1218

GERMAN INTERIOR PLACARDS AND MARKINGS - AFT CABIN  
 FIGURE 02 (SHEET 1)

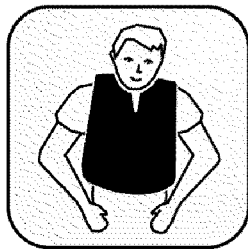
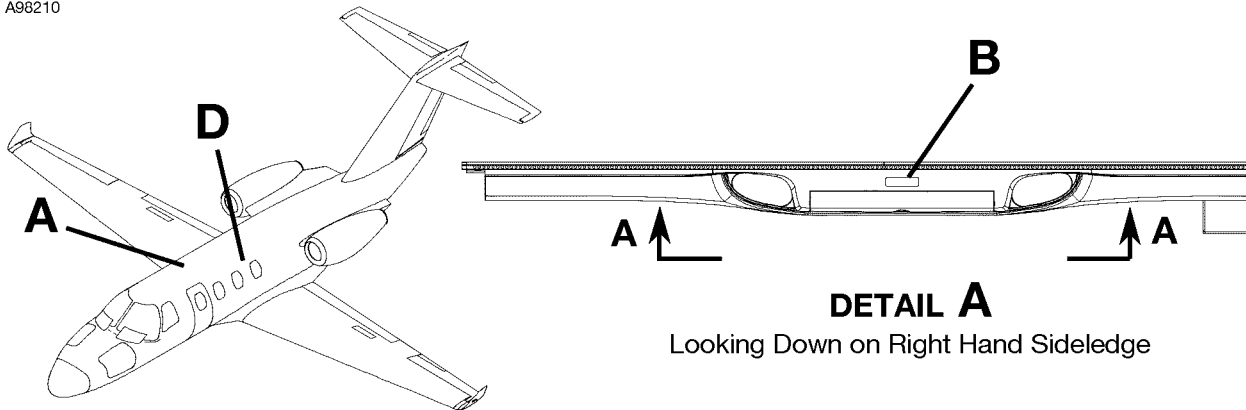
CESSNA®  
**MODEL 525 (SERIALS -0685 AND -0800 AND ON)**  
 ILLUSTRATED PARTS CATALOG

FIG ITEM	PART NUMBER	1 2 3 4 5 6 7	NOMENCLATURE	UNITS PER ASSY		
				0840	& ON	RF R
02			GERMAN INTERIOR PLACARDS AND MARKINGS - AFT CABIN			
-			. PLACARD-AIR INLET . . . . .			01 R
1	4316007-24		. PLACARD-COVER . . . . .			01 R
2	4717197-5		. PLACARD-COAT ROD . . . . .			01 R
3	4316002-34					

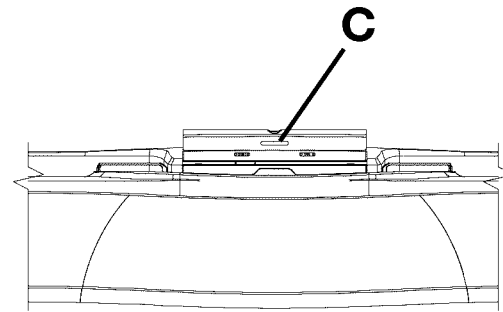
- ITEM NOT ILLUSTRATED

CESSNA®  
**MODEL 525 (SERIALS -0685 AND -0800 AND ON)**  
 ILLUSTRATED PARTS CATALOG

A98210



**4**  
 ▲ **DETAIL E**

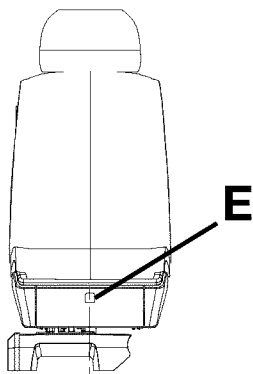


**VIEW A-A**  
 Table Lid Shown in Upright Position

BEIM ROLLEN, START UND LANDING: SITZLEHNE SENKRECHT STELLEN;  
 KOPFSTÜTZE HOCHZIEHEN; SITZ VOM TISCH WEG UND GANZ  
 NACH AUSSEN STELLEN; SCHULTERGÜRTE GESCHLOSSEN. | FOR TAXI, TAKEOFF, AND LANDING: RAISE SEAT BACK;  
 EXTEND HEADREST; TRACK SEAT AWAY FROM TABLE  
 THEN OUTBOARD; FASTEN SHOULDER HARNESS.

1

▲ **DETAIL B**



**DETAIL D**

BEIM ROLLEN, START UND LANDING: SITZLEHNE SENKRECHT STELLEN;  
 KOPFSTÜTZE HOCHZIEHEN; SITZ VOM TISCH WEG UND GANZ  
 NACH AUSSEN STELLEN; SCHULTERGÜRTE GESCHLOSSEN.  
 SCHWIMMWESTE IM SITZSOCKEL. | FOR TAXI, TAKEOFF, AND LANDING: RAISE SEAT BACK;  
 EXTEND HEADREST; TRACK SEAT AWAY FROM TABLE  
 THEN OUTBOARD; FASTEN SHOULDER HARNESS.  
 LIFE VEST IN SEAT BASE.

2

▲ **DETAIL B**

DECKEL BEIM ROLLEN, START UND LANDING SCHLIESSEN.

CLOSE LID FOR TAXI, TAKEOFF, AND LANDING.

3

▲ **DETAIL C**

▲ Required for Dispatch

GERMAN INTERIOR PLACARDS AND MARKINGS - CABIN SEATS  
 FIGURE 04 (SHEET 1)

6310T1168  
 A6319T1647  
 AA6319T1647  
 D6319T1648

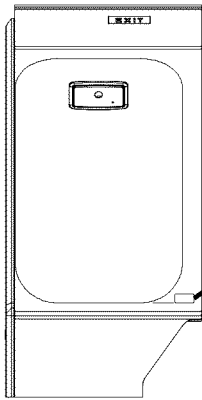
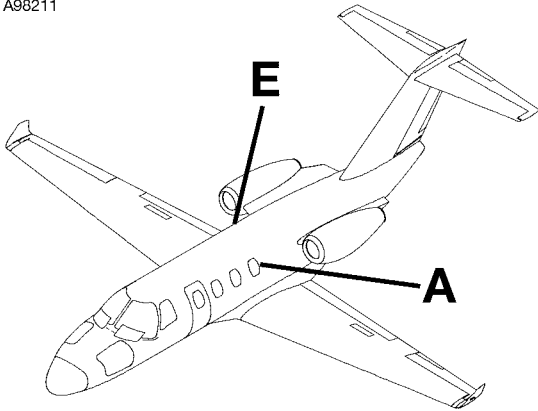
CESSNA®  
**MODEL 525 (SERIALS -0685 AND -0800 AND ON)**  
 ILLUSTRATED PARTS CATALOG

FIG ITEM	PART NUMBER	NOMENCLATURE	UNITS PER ASSY		
			1	2	3
04					
-		GERMAN INTERIOR PLACARDS AND MARKINGS - CABIN SEATS		0840	& ON RF R
1	4316007-19	. PLACARD-PASSENGER SEAT INSTRUCTIONS . . . . .			02 R
2	4316007-30	. PLACARD-PASSENGER SEAT INSTRUCTIONS . . . . .			02 R
3	4316007-26	. PLACARD-TABLE LID INSTRUCTIONS . . . . .			02 R
4	4316002-32	. PLACARD-LIFEVEST . . . . .			04 R

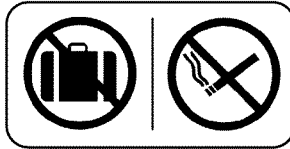
- ITEM NOT ILLUSTRATED

CESSNA®  
**MODEL 525 (SERIALS -0685 AND -0800 AND ON)**  
 ILLUSTRATED PARTS CATALOG

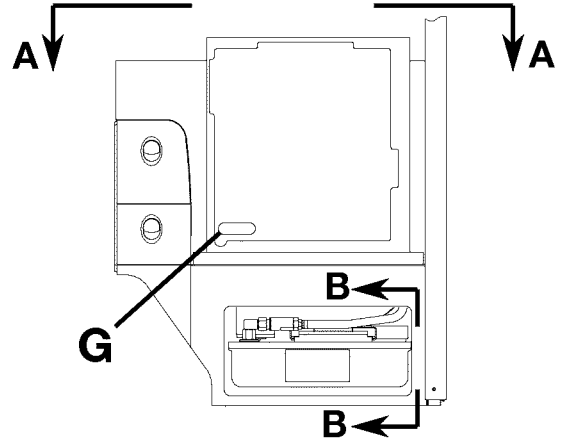
A98211



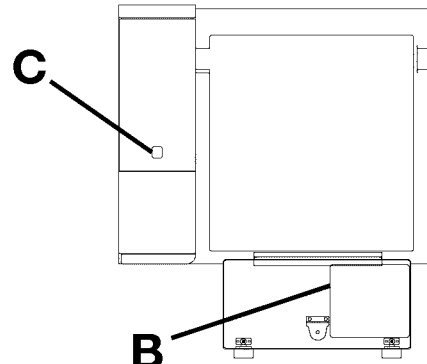
**DETAIL E**  
 View Looking Outboard



5  
 ▲ **DETAIL F**



**DETAIL A**  
 View Looking Outboard



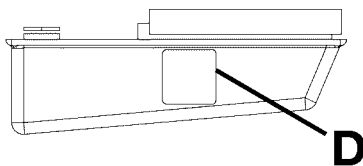
**VIEW A-A**



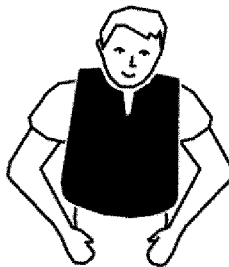
3  
 ▲ **DETAIL G**

TOILET CHEMICAL  
 IS CORROSIVE.  
 USE EXTREME CARE  
 TO PREVENT SPILLAGE.  
 FOLLOW SERVICING  
 INSTRUCTIONS CAREFULLY.  
 CLEAN ANY SPILLAGE  
 IMMEDIATELY AND  
 REPORT IT TO THE CREW.

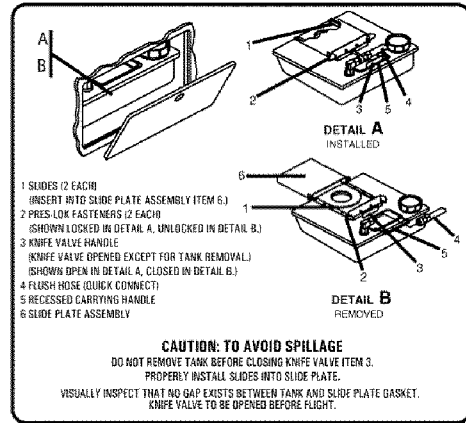
1  
 ▲ **DETAIL D**



**VIEW B-B**



4  
 ▲ **DETAIL C**



2  
 ▲ **DETAIL B**

6310T1168  
 A6319T1360  
 AA6319T1361  
 BB6319T1360  
 E6314T1662

▲ Required for Dispatch

GERMAN INTERIOR PLACARDS AND MARKINGS - LAVATORY  
 FIGURE 01 (SHEET 1)

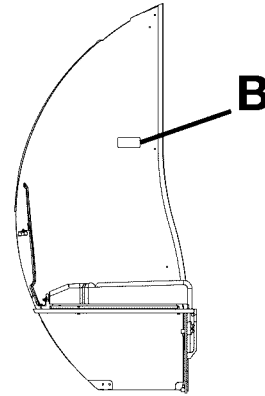
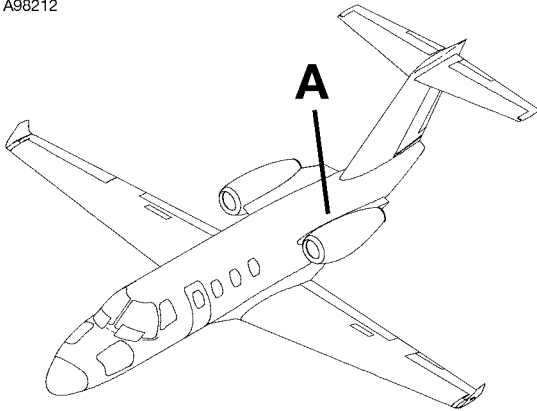
CESSNA®  
**MODEL 525 (SERIALS -0685 AND -0800 AND ON)**  
 ILLUSTRATED PARTS CATALOG

FIG ITEM	PART NUMBER	NOMENCLATURE	UNITS	
			PER	ASSY
01				
-		GERMAN INTERIOR PLACARDS AND MARKINGS - LAVATORY	0840	& ON RF R
1	4316002-30	. PLACARD-TOILET CARE . . . . .		01 R
2	4316002-36	. PLACARD-TOILET SERVICING . . . . .		01 R
3	4316007-12	. PLACARD-PRESS TO FLUSH . . . . .		01 R
4	4316002-32	. PLACARD-LIFEVEST . . . . .		01 R
5	4316002-33	. PLACARD-NO SMOKING . . . . .		01 R

- ITEM NOT ILLUSTRATED

CESSNA®  
**MODEL 525 (SERIALS -0685 AND -0800 AND ON)**  
ILLUSTRATED PARTS CATALOG

A98212



**DETAIL A**

View Looking Forward at Left Hand Side  
Toilet Assembly and Left Hand Side Aft Divider

BEIM ROLLEN, START UND LANDUNG:  
VORHANG VERSTAUEN;  
ALLE SCHRANKTÜREN UND SCHUBLADEN  
SCHLIESSEN; SCHULTERGURTE GESCHLOSSEN.

FOR TAXI, TAKEOFF, AND LANDING:  
STOW CURTAIN;  
CLOSE ALL CABINET DOORS AND DRAWERS;  
FASTEN SHOULDER HARNESS.

75

▲ **DETAIL B**

BEIM ROLLEN, START UND LANDUNG: ALLE  
SCHRANKTÜREN UND SCHUBLADEN SCHLIESSEN;  
SCHULTERGURTE GESCHLOSSEN.

FOR TAXI, TAKEOFF, AND LANDING:  
CLOSE ALL CABINET DOORS AND DRAWERS;  
FASTEN SHOULDER HARNESS.

76

▲ **DETAIL B**

▲ Required for Dispatch

6310T1168  
A6319T1650

GERMAN INTERIOR PLACARDS AND MARKINGS - LAVATORY  
FIGURE 01 (SHEET 2)



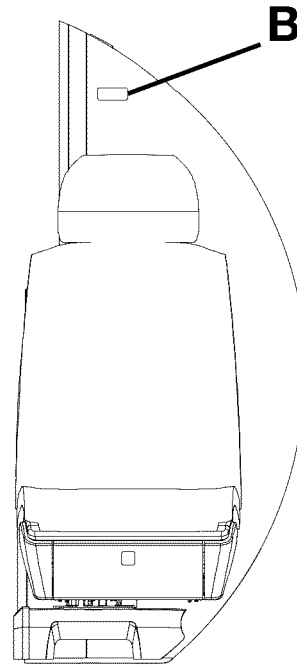
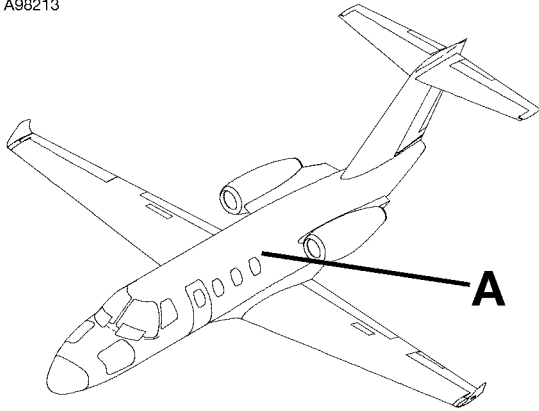
CESSNA®  
**MODEL 525 (SERIALS -0685 AND -0800 AND ON)**  
 ILLUSTRATED PARTS CATALOG

FIG ITEM	PART NUMBER	1 2 3 4 5 6 7	NOMENCLATURE	UNITS PER ASSY
01				
75	4316007-28	.	PLACARD-LH BELTED TOILET (CURTAIN) . . . . .	01 R
- 75A	4316007-29	.	PLACARD-LH BELTED TOILET (CURTAIN) . . . . .	01 R
76	4316007-13	.	PLACARD-LH BELTED TOILET (DOOR) . . . . .	01 R
- 76A	4316007-22	.	PLACARD-LH BELTED TOILET (DOOR) . . . . .	01 R

- ITEM NOT ILLUSTRATED

CESSNA®  
**MODEL 525 (SERIALS -0685 AND -0800 AND ON)**  
 ILLUSTRATED PARTS CATALOG

A98213



**DETAIL A**  
 Looking Aft

IN DER TOILETTE NICHT RAUCHEN.  
 VORHANG BEIM ROLLEN,  
 START UND LANDING VERSTAUEN.  
 -----  
 NO SMOKING IN LAVATORY.  
 STOW CURTAIN  
 FOR TAXI, TAKEOFF, AND LANDING.

2

▲ **DETAIL B**

IN DER TOILETTE NICHT RAUCHEN.  
 BEIM ROLLEN, START UND LANDING  
 SCHIEBETÜREN IN OFFENER STELLUNG SICHERN.  
 -----  
 NO SMOKING IN LAVATORY.  
 LATCH SLIDING DOORS OPEN  
 FOR TAXI, TAKEOFF, AND LANDING.

1

▲ **DETAIL B**

▲ Required for Dispatch

6310T1168  
 A6319T1649

GERMAN INTERIOR PLACARDS AND MARKINGS - DIVIDERS  
 FIGURE 02 (SHEET 1)

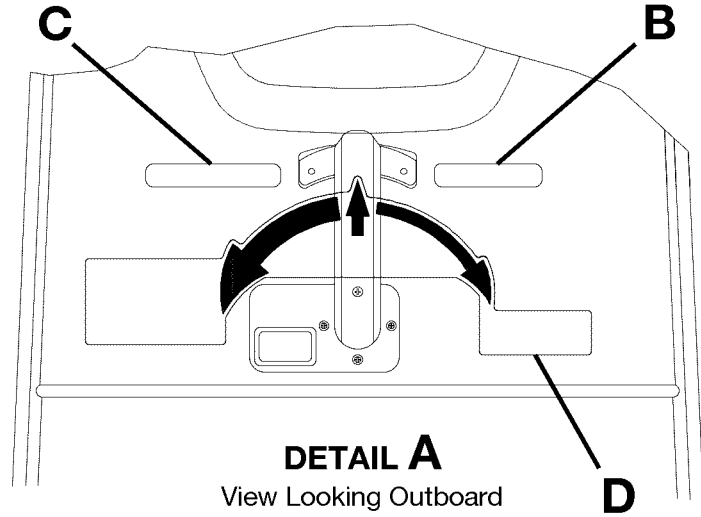
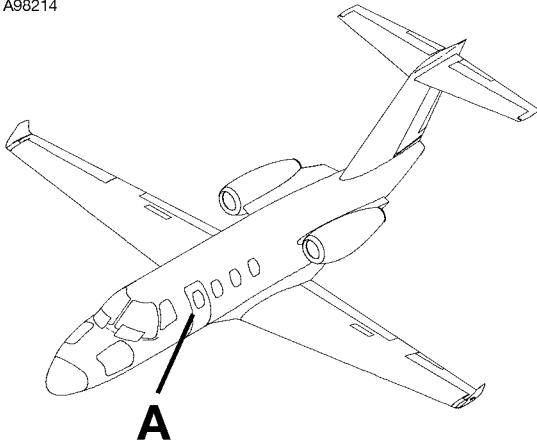
CESSNA®  
**MODEL 525 (SERIALS -0685 AND -0800 AND ON)**  
 ILLUSTRATED PARTS CATALOG

FIG ITEM	PART NUMBER	1 2 3 4 5 6 7	NOMENCLATURE	UNITS PER ASSY
02				
-			GERMAN INTERIOR PLACARDS AND MARKINGS - DIVIDERS	0840 & ON RF R
1	4316007-11		. PLACARD-AFT CABIN INSTRUCTIONS (DOOR) . . . . .	01 R
2	4316007-25		. PLACARD-AFT CABIN INSTRUCTIONS (CURTAIN) . . . . .	01 R

- ITEM NOT ILLUSTRATED

CESSNA®  
**MODEL 525 (SERIALS -0685 AND -0800 AND ON)**  
 ILLUSTRATED PARTS CATALOG

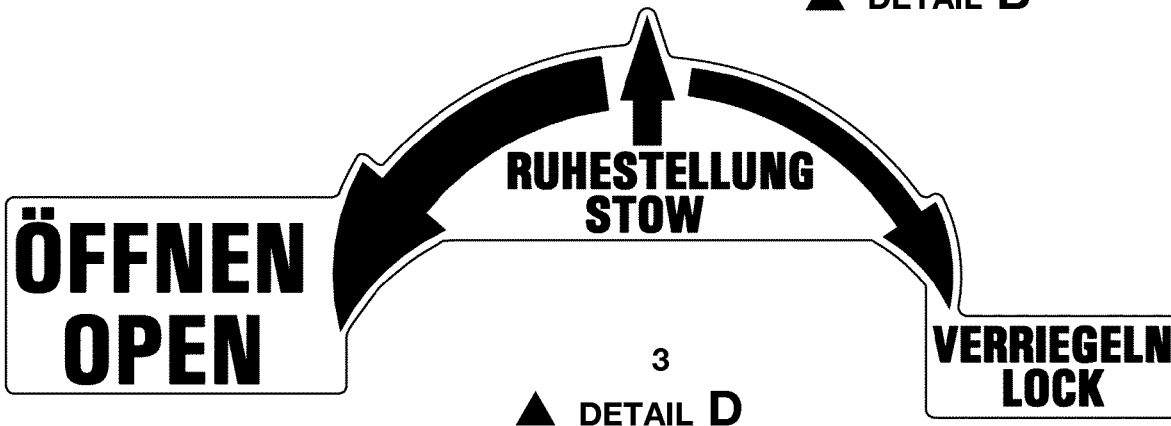
A98214



**TO RELEASE: PUSH BUTTON,  
 PULL TRIGGER ON HANDLE.**

1

▲ **DETAIL B**



**ZUM LÖSEN DES GRIFFES KNOPF  
 DRÜCKEN UND SPERRHEBEL ZIEHEN.**

2

▲ **DETAIL C**

▲ Required for Dispatch

6310T1168  
 A4711T989-11

GERMAN INTERIOR PLACARDS AND MARKINGS - CABIN DOOR  
 FIGURE 01 (SHEET 1)

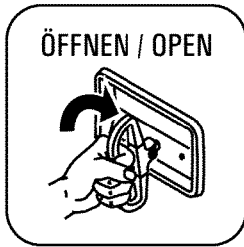
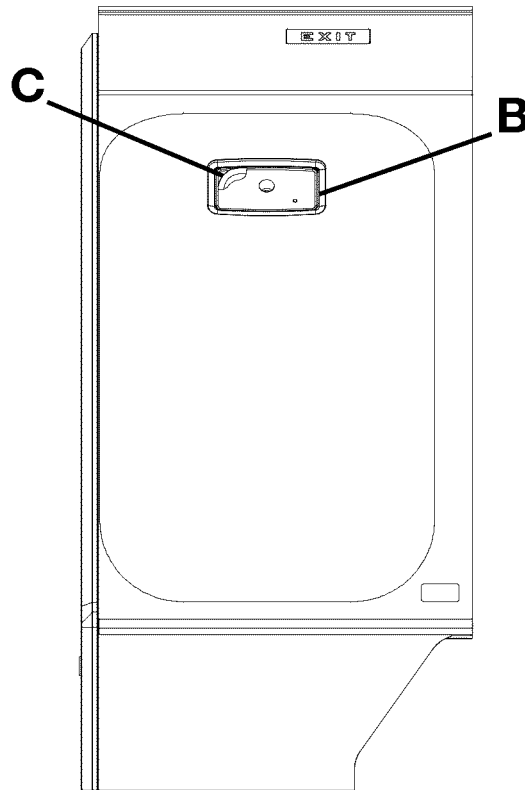
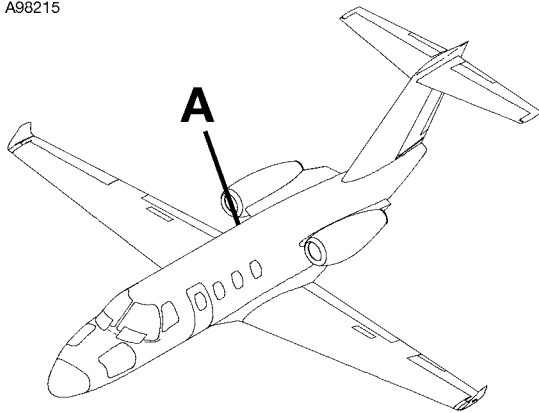
CESSNA®  
**MODEL 525 (SERIALS -0685 AND -0800 AND ON)**  
 ILLUSTRATED PARTS CATALOG

FIG ITEM	PART NUMBER	NOMENCLATURE	UNITS	
			PER	ASSY
01				
-		GERMAN INTERIOR PLACARDS AND MARKINGS - CABIN DOOR	0840	& ON RF R
1	4316002-19	. DECAL-CABIN DOOR HANDLE INSTRUCTIONS .....		01 R
2	4316007-10	. DECAL-CABIN DOOR HANDLE INSTRUCTIONS .....		01 R
3	4316007-18	. DECAL-CABIN DOOR INSTRUCTIONS .....		01 R

- ITEM NOT ILLUSTRATED

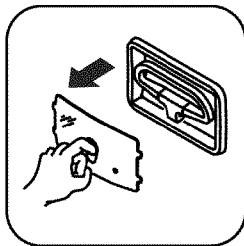
CESSNA®  
**MODEL 525 (SERIALS -0685 AND -0800 AND ON)**  
 ILLUSTRATED PARTS CATALOG

A98215



2

▲ **DETAIL E**



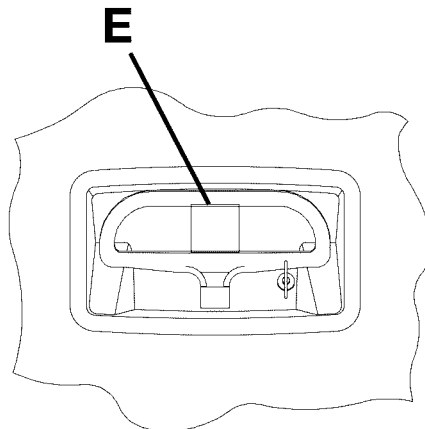
1

▲ **DETAIL D**

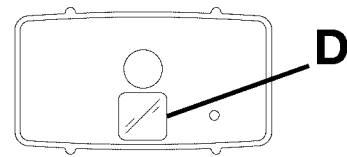
◀ **FWD**

**DETAIL A**

View Looking Outboard



**DETAIL C**



**DETAIL B**

▲ Required for Dispatch

GERMAN INTERIOR PLACARDS AND MARKINGS - ESCAPE HATCH  
 FIGURE 02 (SHEET 1)

6310T1168  
 A6310T1180  
 B6310T1180  
 C6310T1180

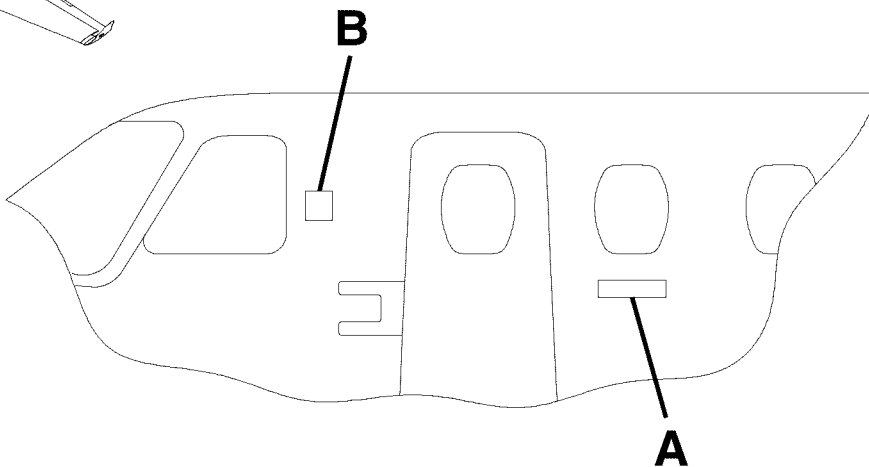
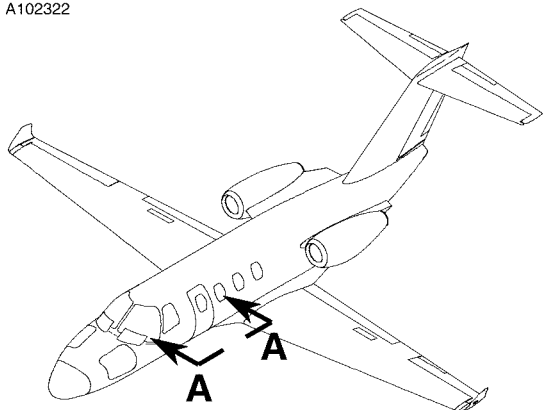
CESSNA®  
**MODEL 525 (SERIALS -0685 AND -0800 AND ON)**  
 ILLUSTRATED PARTS CATALOG

FIG ITEM	PART NUMBER	1 2 3 4 5 6 7	NOMENCLATURE	UNITS PER ASSY		
02						
-			GERMAN INTERIOR PLACARDS AND MARKINGS - ESCAPE HATCH	0840	& ON	RF R
1	4316002-26		. PLACARD-ESCAPE HATCH COVER INSTRUCTIONS . . . . .			01 R
2	4316007-27		. PLACARD-ESCAPE HATCH HANDLE INSTRUCTIONS . . . . .			01 R

- ITEM NOT ILLUSTRATED

CESSNA®  
MODEL 525 (SERIALS -0685 AND -0800 AND ON)  
ILLUSTRATED PARTS CATALOG

A102322



VIEW A-A



3  
DETAIL B

CITATION  
M2

1  
DETAIL A

6310T1168  
AA6314T1174

FRENCH EXTERIOR PLACARDS AND MARKINGS - FUSELAGE  
FIGURE 02 (SHEET 1)



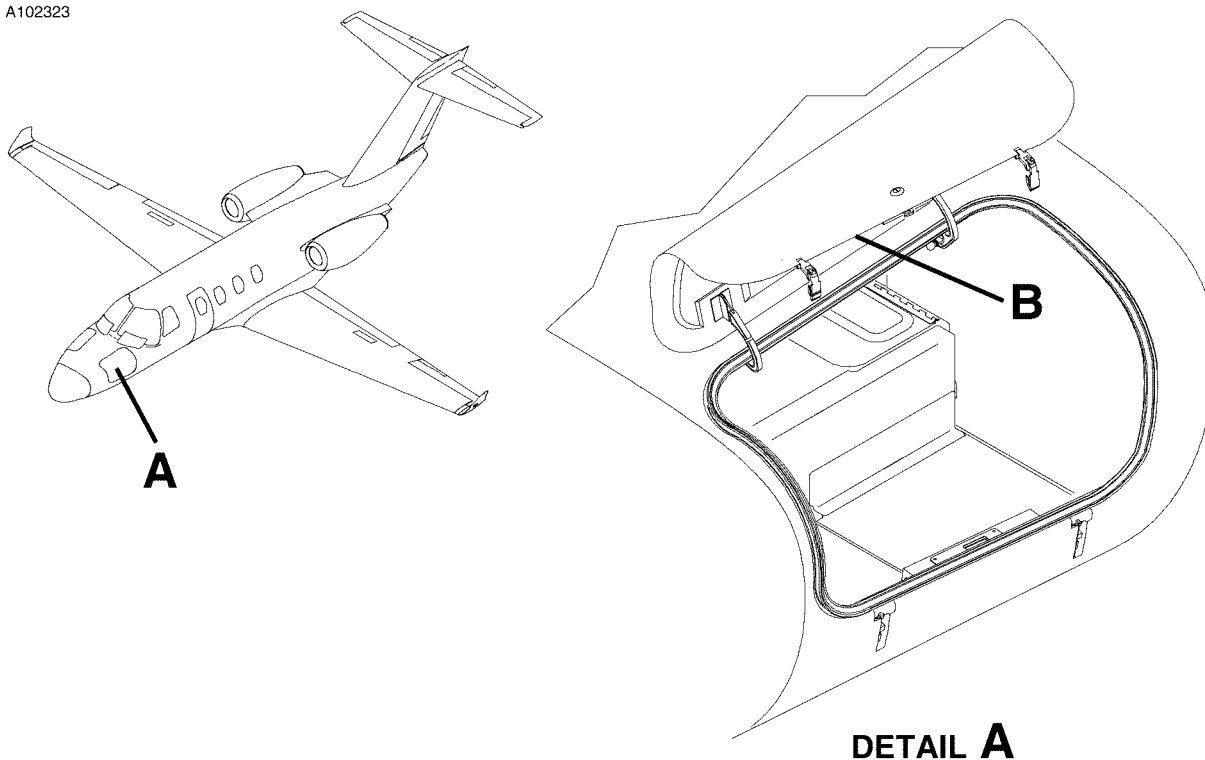
CESSNA®  
**MODEL 525 (SERIALS -0685 AND -0800 AND ON)**  
 ILLUSTRATED PARTS CATALOG

FIG ITEM	PART NUMBER	1 2 3 4 5 6 7	NOMENCLATURE	UNITS PER ASSY
02				
-			FRENCH EXTERIOR PLACARDS AND MARKINGS - FUSELAGE	0918 & ON RF R
- 1	4416001-32		. DECAL-M2 INSIGNIA . . . . .	02 R
- 2	4416001-31		. PAINTMASK-M2 INSIGNIA . . . . .	01 R
- 3	6505010-124		. DECAL-CESSNA LOGO . . . . .	02 R
- 4	6505010-123		. PAINTMASK-CESSNA LOGO . . . . .	01 R

- ITEM NOT ILLUSTRATED

CESSNA®  
**MODEL 525 (SERIALS -0685 AND -0800 AND ON)**  
ILLUSTRATED PARTS CATALOG

A102323



**MAXIMUM WEIGHT ALLOWANCE  
400 LBS (181 KG).  
MAXIMUM FLOOR LOADING  
35 LBS/FT<sup>2</sup> (170 KG/M<sup>2</sup>).  
SEE AFM FOR WEIGHT  
AND BALANCE DATA.**

1

▲ **DETAIL B**

▲ Required for Dispatch

FRENCH EXTERIOR PLACARDS AND MARKINGS - NOSE BAGGAGE  
FIGURE 01 (SHEET 1)

6310T1168  
A6313T1003

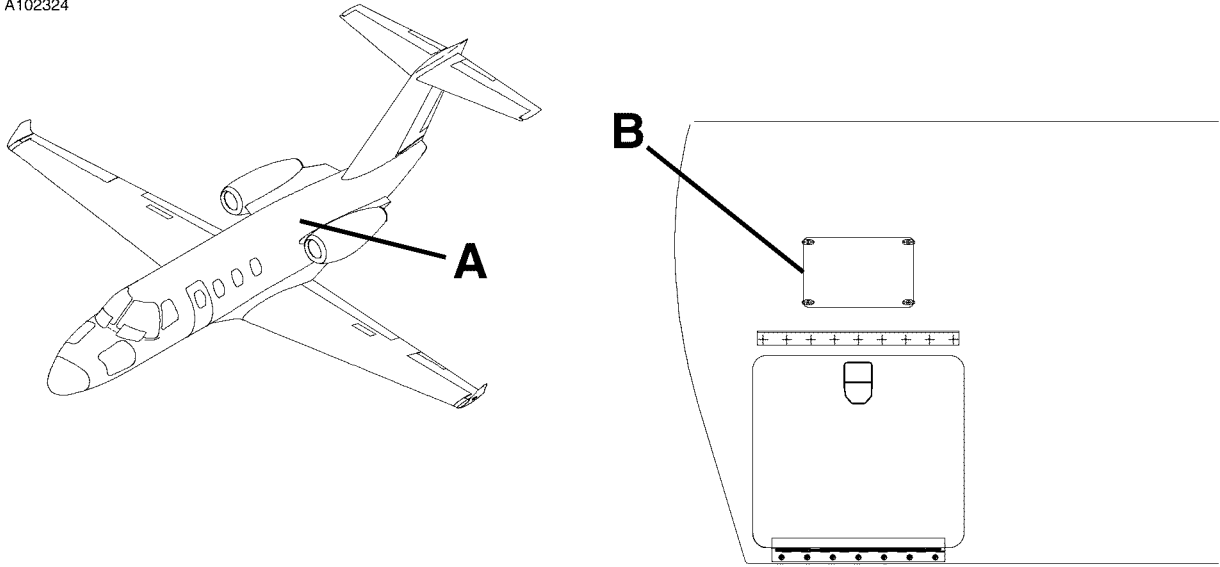
CESSNA®  
**MODEL 525 (SERIALS -0685 AND -0800 AND ON)**  
 ILLUSTRATED PARTS CATALOG

FIG ITEM	PART NUMBER	1 2 3 4 5 6 7	NOMENCLATURE	UNITS PER ASSY		
01			FRENCH EXTERIOR PLACARDS AND MARKINGS - NOSE BAGGAGE	0918	& ON	RF R
-			. PLACARD-MAX BAGGAGE WEIGHT 400LBS . . . . .			02 R
1	4416000-163					

- ITEM NOT ILLUSTRATED

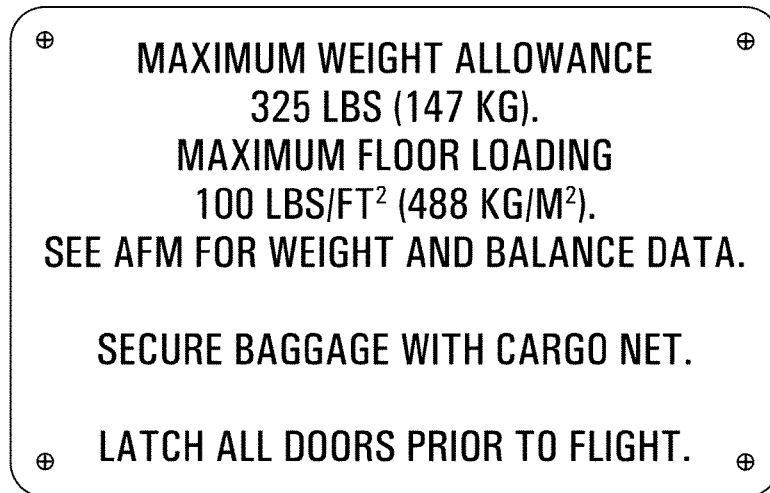
CESSNA®  
**MODEL 525 (SERIALS -0685 AND -0800 AND ON)**  
ILLUSTRATED PARTS CATALOG

A102324



**DETAIL A**

Looking Forward at Left Hand Side Forward Wall



1

▲ **DETAIL B**

▲ Required for Dispatch

6310T1168  
A6312T1220

FRENCH EXTERIOR PLACARDS AND MARKINGS - AFT BAGGAGE  
FIGURE 02 (SHEET 1)

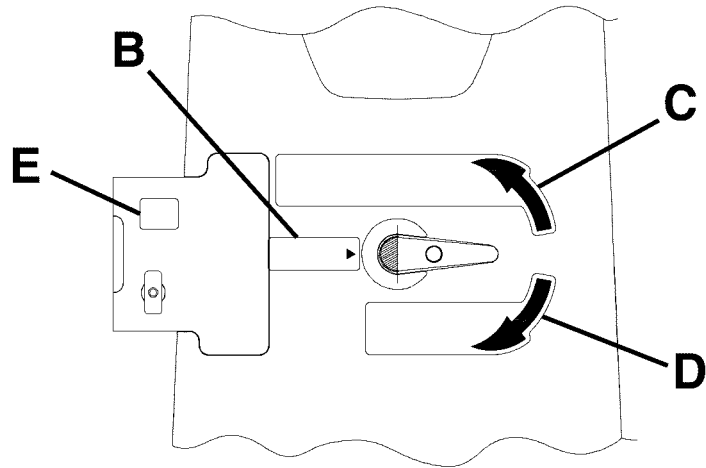
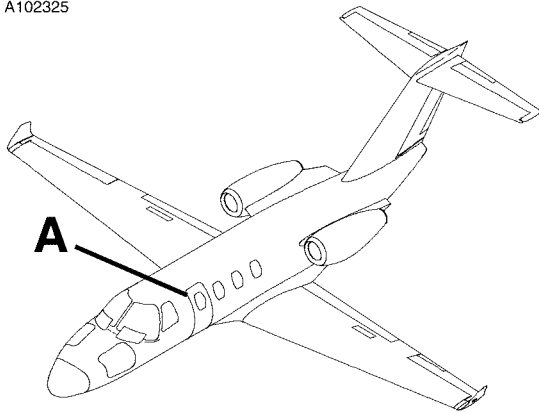
CESSNA®  
**MODEL 525 (SERIALS -0685 AND -0800 AND ON)**  
 ILLUSTRATED PARTS CATALOG

FIG ITEM	PART NUMBER	NOMENCLATURE	UNITS PER ASSY	
			1 2 3 4 5 6 7	
02				
-		FRENCH EXTERIOR PLACARDS AND MARKINGS - AFT BAGGAGE	0918	& ON RF R
- 1	4416004-58	. PLACARD-MAX BAGGAGE WEIGHT 325LB . . . . .		01 R
		ATTACHING PARTS		
- 2	MS35214-14	. SCREW . . . . .		04 R
- 3	MS21069L04	. NUTPLATE . . . . .		04 R
		—*—		

- ITEM NOT ILLUSTRATED

CESSNA®  
**MODEL 525 (SERIALS -0685 AND -0800 AND ON)**  
 ILLUSTRATED PARTS CATALOG

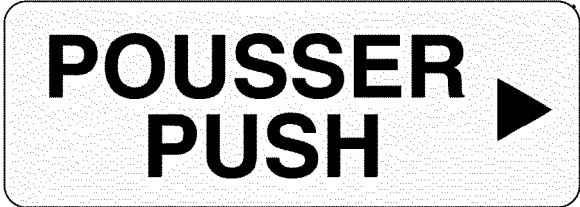
A102325



**DOOR CATCH  
 RELEASE INSIDE  
 BEHIND THIS  
 PLACARD. RAISE  
 STEPS BEFORE  
 CLOSING DOOR.**

4  
 ▲ **DETAIL E**

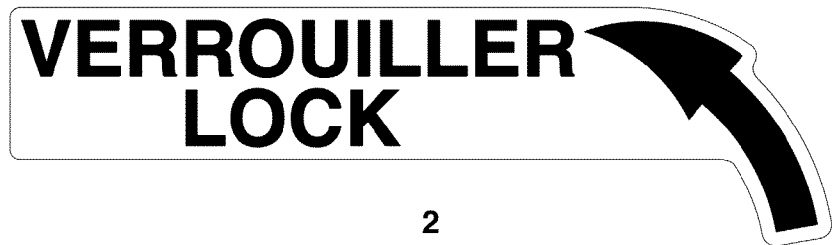
**DETAIL A**  
 (View Looking Inboard at Entry Door)



1  
 ▲ **DETAIL B**



3  
 ▲ **DETAIL D**



2  
 ▲ **DETAIL C**

▲ Required for Dispatch

6310T1168  
 A4711T994-5

FRENCH EXTERIOR PLACARDS AND MARKINGS - CABIN DOOR  
 FIGURE 01 (SHEET 1)

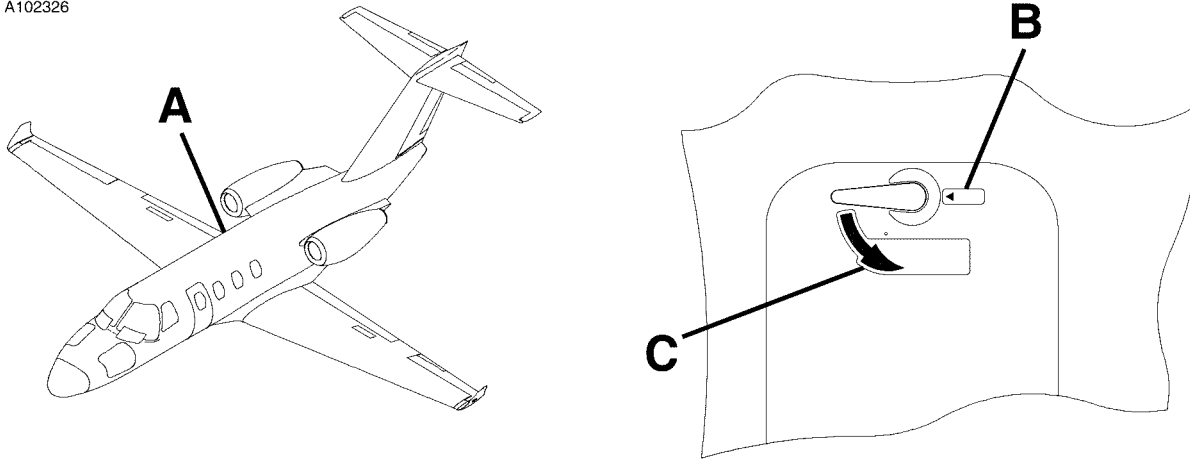
CESSNA®  
**MODEL 525 (SERIALS -0685 AND -0800 AND ON)**  
 ILLUSTRATED PARTS CATALOG

FIG ITEM	PART NUMBER	NOMENCLATURE	UNITS	
			PER	ASSY
01				
-		FRENCH EXTERIOR PLACARDS AND MARKINGS - CABIN DOOR	0918	& ON RF R
1	4316003-10	. DECAL-CABIN DOOR (PUSH) . . . . .		01 R
2	4316003-11	. DECAL-CABIN DOOR (LOCK) . . . . .		01 R
3	4316003-12	. DECAL-CABIN DOOR (OPEN) . . . . .		01 R
4	4416000-172	. PHOTOPLACARD-CABIN DOOR PRECATCH . . . . .		01 R

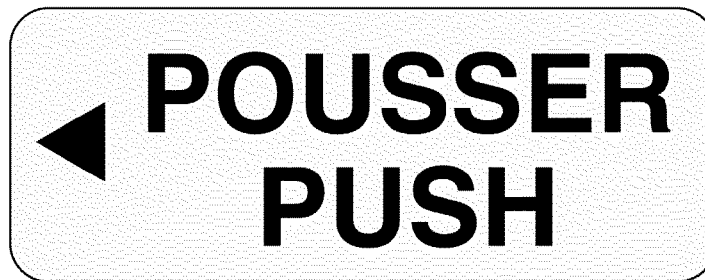
- ITEM NOT ILLUSTRATED

CESSNA®  
MODEL 525 (SERIALS -0685 AND -0800 AND ON)  
ILLUSTRATED PARTS CATALOG

A102326



**DETAIL A**  
Looking Inboard at Escape Hatch



2  
▲ **DETAIL B**



1  
▲ **DETAIL C**

▲ Required for Dispatch

6310T1168  
A4711953-2

FRENCH EXTERIOR PLACARDS AND MARKINGS - ESCAPE HATCH  
FIGURE 02 (SHEET 1)



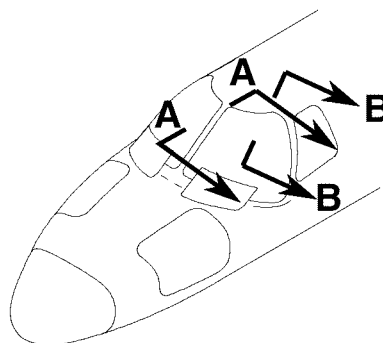
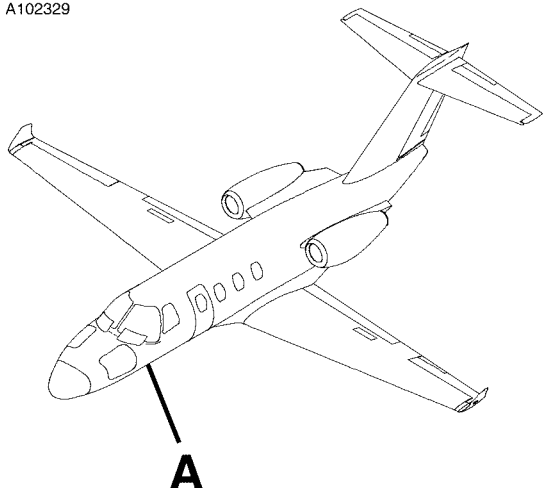
CESSNA®  
**MODEL 525 (SERIALS -0685 AND -0800 AND ON)**  
 ILLUSTRATED PARTS CATALOG

FIG ITEM	PART NUMBER	1 2 3 4 5 6 7	NOMENCLATURE	UNITS PER ASSY		
02						
-			FRENCH EXTERIOR PLACARDS AND MARKINGS - ESCAPE HATCH	0918	& ON	RF R
1	4316003-1		. DECAL-EMERGENCY EXIT (OPEN) . . . . .			01 R
2	4316003-2		. DECAL-EMERGENCY EXIT (PUSH) . . . . .			01 R

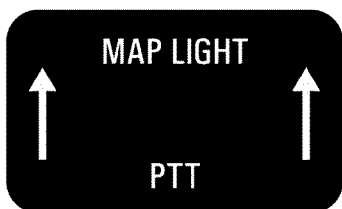
- ITEM NOT ILLUSTRATED

CESSNA®  
**MODEL 525 (SERIALS -0685 AND -0800 AND ON)**  
 ILLUSTRATED PARTS CATALOG

A102329

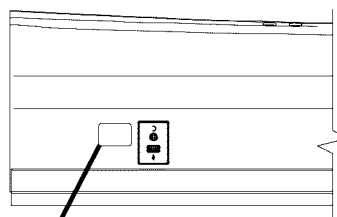


**DETAIL A**



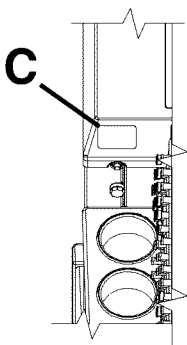
2

**DETAIL C**



**B**

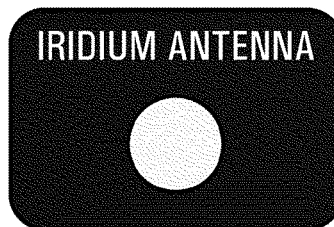
**VIEW A-A**



**C**

**VIEW B-B**

View Looking at Left Hand Side Console



1

**DETAIL B**

6310T1168  
 A6310T1168  
 AA6310T1183  
 BB6310T1184

FRENCH INTERIOR PLACARDS AND MARKINGS - LH CONSOLE  
 FIGURE 04 (SHEET 1)

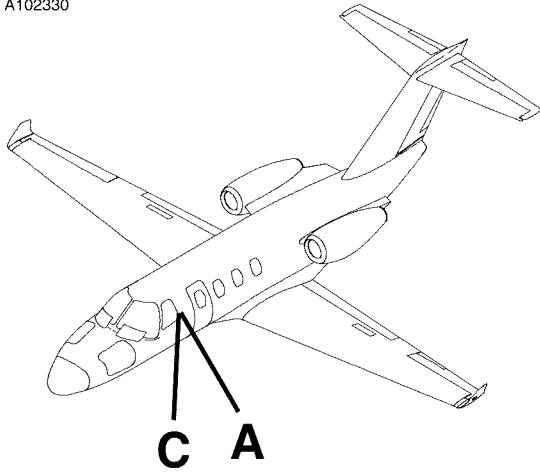
CESSNA®  
**MODEL 525 (SERIALS -0685 AND -0800 AND ON)**  
 ILLUSTRATED PARTS CATALOG

FIG ITEM	PART NUMBER	NOMENCLATURE	UNITS PER ASSY	
			1 2 3 4 5 6 7	
04		FRENCH INTERIOR PLACARDS AND MARKINGS - LH CONSOLE	0918	& ON RF R
-				
1	4316002-35	. PLACARD-IRIDIUM ANTENNA . . . . .		01 R
2	4316002-38	. PLACARD-MAP LIGHT . . . . .		02 R

- ITEM NOT ILLUSTRATED

CESSNA®  
**MODEL 525 (SERIALS -0685 AND -0800 AND ON)**  
 ILLUSTRATED PARTS CATALOG

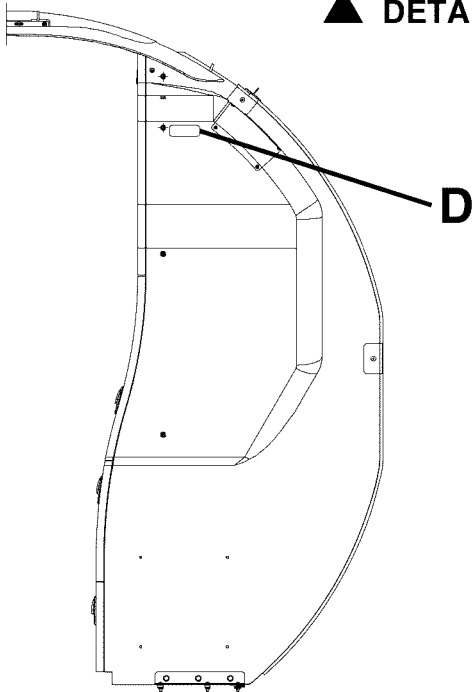
A102330



STOW CURTAIN FOR  
 TAXI, TAKEOFF, AND LANDING.

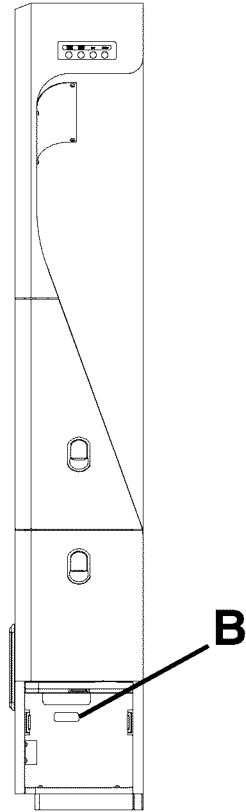
2

▲ **DETAIL D**



**DETAIL C**

Looking Aft at Left Hand Cabinet Assembly



**DETAIL A**

CABIN BRIEFER  
 PROGRAM LOAD PORT

1

**DETAIL B**

▲ Required for Dispatch

FRENCH INTERIOR PLACARDS AND MARKINGS - FLIGHT COMPARTMENT  
 FIGURE 05 (SHEET 1)

6310T1168  
 A471T1953  
 C471T1953

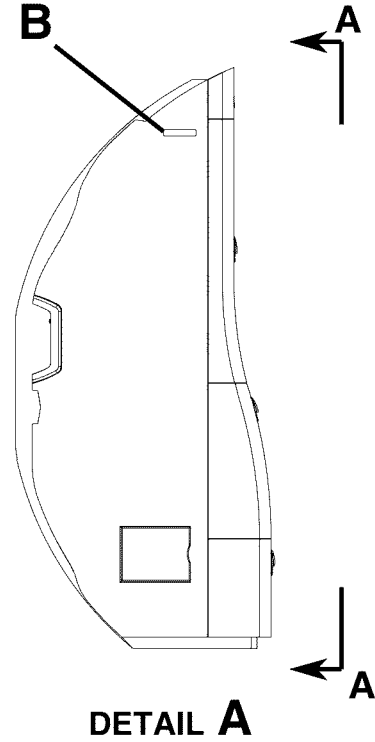
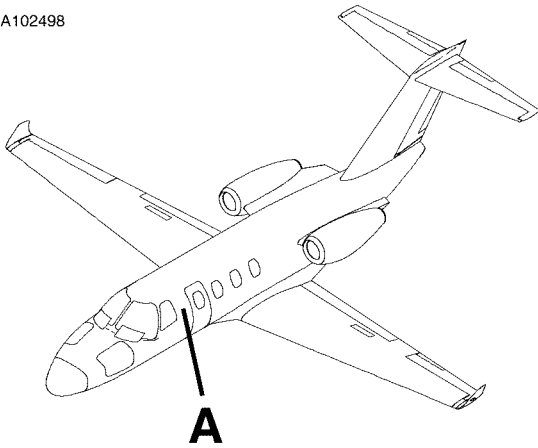
CESSNA®  
**MODEL 525 (SERIALS -0685 AND -0800 AND ON)**  
 ILLUSTRATED PARTS CATALOG

FIG ITEM	PART NUMBER	NOMENCLATURE	UNITS PER ASSY	
			1 2 3 4 5 6 7	
05				
-		FRENCH INTERIOR PLACARDS AND MARKINGS - FLIGHT COMPARTMENT	0918	& ON RF R
1	4316002-40	. PLACARD-CABIN BRIEFER PORT . . . . .		01 R
2	4316002-8	. PLACARD-CURTAIN STOWAGE . . . . .		01 R

- ITEM NOT ILLUSTRATED

CESSNA®  
**MODEL 525 (SERIALS -0685 AND -0800 AND ON)**  
 ILLUSTRATED PARTS CATALOG

A102498



NE PAS JETER DE CIGARETTES;  
 POUBELLE MÉTALLIQUE REQUISE.

---

NO CIGARETTE DISPOSAL;  
 METAL TRASH LINER REQUIRED.

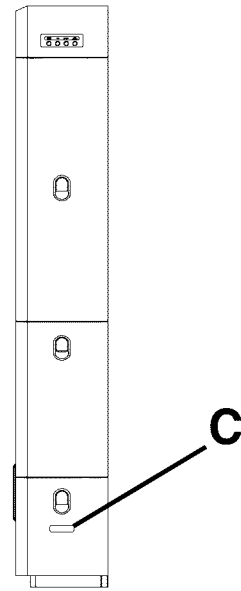
2  
 ▲ **DETAIL C**

FERMER L'ENSEMBLE DES PORTES ET DES  
 TIROIRS DE RANGEMENTS POUR LE ROULAGE, LE  
 DÉCOLLAGE ET L'ATTERRISSAGE.

---

CLOSE ALL CABINET DOORS AND DRAWERS  
 FOR TAXI, TAKEOFF, AND LANDING.

1  
 ▲ **DETAIL B**



**VIEW A-A**

▲ Required for Dispatch

FRENCH INTERIOR PLACARDS AND MARKINGS - FORWARD CABIN  
 FIGURE 01 (SHEET 1)

6310T1168  
 A6320T1021  
 B6314T1628  
 F6314T1629

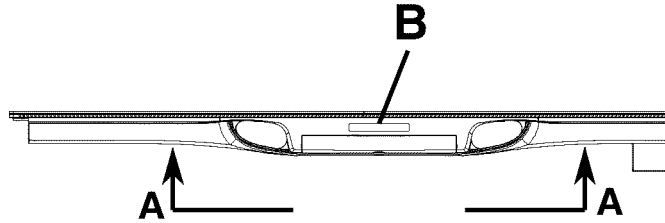
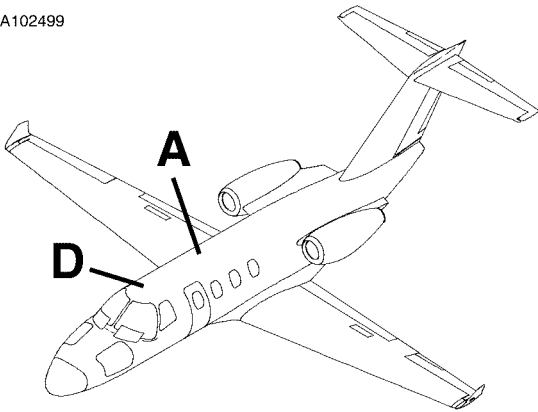
CESSNA®  
**MODEL 525 (SERIALS -0685 AND -0800 AND ON)**  
 ILLUSTRATED PARTS CATALOG

FIG ITEM	PART NUMBER	1 2 3 4 5 6 7	NOMENCLATURE	UNITS PER ASSY		
01			FRENCH INTERIOR PLACARDS AND MARKINGS - FORWARD CABIN	0918	& ON	RF R
-						
1	4316003-16		. PLACARD-CABINET INSTRUCTIONS . . . . .			01 R
2	4316003-13		. PLACARD-TRASH CONTAINER W/LINER . . . . .			01 R

- ITEM NOT ILLUSTRATED

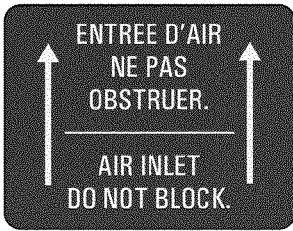
CESSNA®  
**MODEL 525 (SERIALS -0685 AND -0800 AND ON)**  
 ILLUSTRATED PARTS CATALOG

A102499



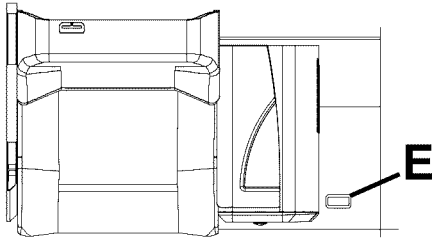
**DETAIL A**

View Looking Down on RH Sideledge, LH Opposite



78

**DETAIL E**

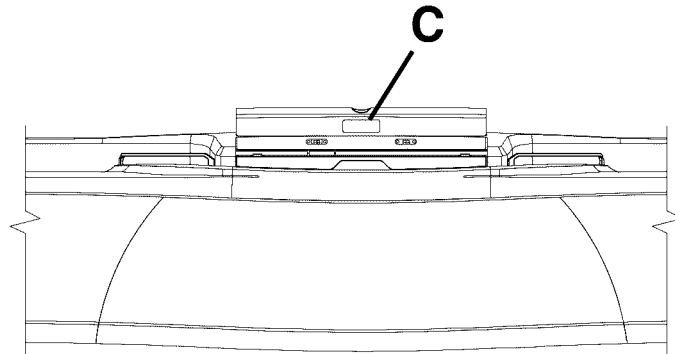


VIEW B-B

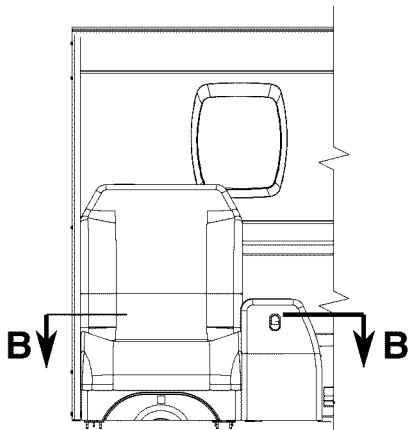


75

▲ **DETAIL B**

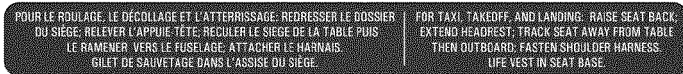


VIEW A-A



**DETAIL D**

Looking Outboard at Side Facing Seat



76

▲ **DETAIL C**

▲ Required for Dispatch

FRENCH INTERIOR PLACARDS AND MARKINGS - FORWARD CABIN  
 FIGURE 01 (SHEET 2)

6310T1168  
 A4711991-4  
 AA4711991-4



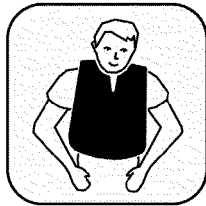
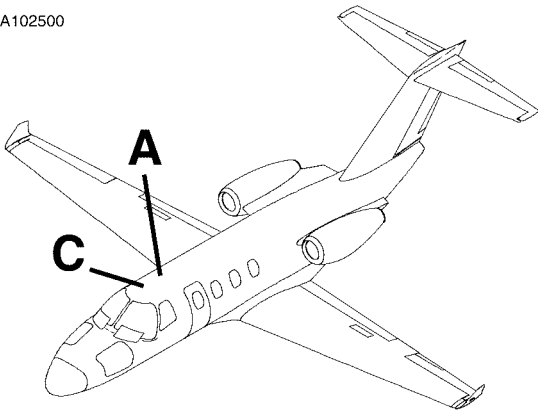
CESSNA®  
**MODEL 525 (SERIALS -0685 AND -0800 AND ON)**  
 ILLUSTRATED PARTS CATALOG

FIG ITEM	PART NUMBER	NOMENCLATURE	UNITS PER ASSY
	1 2 3 4 5 6 7		
01			
75	4316003-14	. PLACARD-TABLE LID INSTRUCTIONS . . . . .	02 R
76	4316003-28	. PLACARD-PASSENGER SEAT INSTRUCTIONS . . . . .	02 R
- 77	4316003-29	. PLACARD-PASSENGER SEAT INSTRUCTIONS . . . . .	02 R
78	4316003-17	. PLACARD-AIR INLET . . . . .	01 R
- 79	4717197-5	. PLACARD-COVER (2.60 X 2.10) . . . . .	01 R

- ITEM NOT ILLUSTRATED

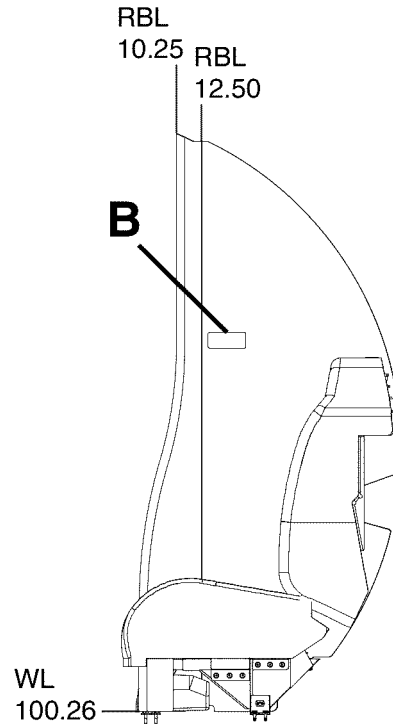
CESSNA®  
**MODEL 525 (SERIALS -0685 AND -0800 AND ON)**  
 ILLUSTRATED PARTS CATALOG

A102500



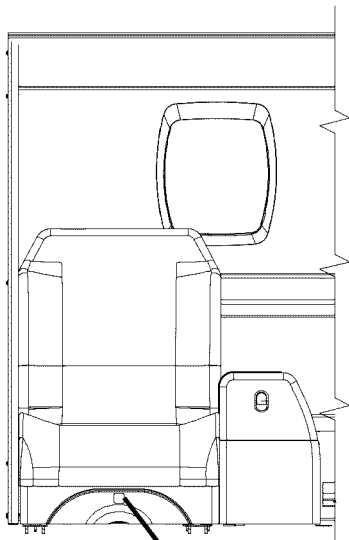
152

▲ **DETAIL D**



**DETAIL A**

View Looking Forward at SFS and RH Forward Divider



**D**

**DETAIL C**

Looking Outboard at Side Facing Seat

ATTACHER LE HARNAIS  
 POUR LE ROULAGE, LE DÉCOLLAGE ET L'ATERRISSAGE.

GILET DE SAUVETAGE DANS L'ASSISE DU SIÈGE.

---

FASTEN SHOULDER HARNESS FOR  
 TAXI, TAKEOFF, AND LANDING.

LIFE VEST IN SEAT BASE.

150

▲ **DETAIL B**

ATTACHER LE HARNAIS  
 POUR LE ROULAGE, LE DÉCOLLAGE ET L'ATERRISSAGE.

---

FASTEN SHOULDER HARNESS FOR  
 TAXI, TAKEOFF, AND LANDING.

151

▲ **DETAIL B**

▲ Required for Dispatch

FRENCH INTERIOR PLACARDS AND MARKINGS - FORWARD CABIN  
 FIGURE 01 (SHEET 3)

6310T1168  
 A4711991-4

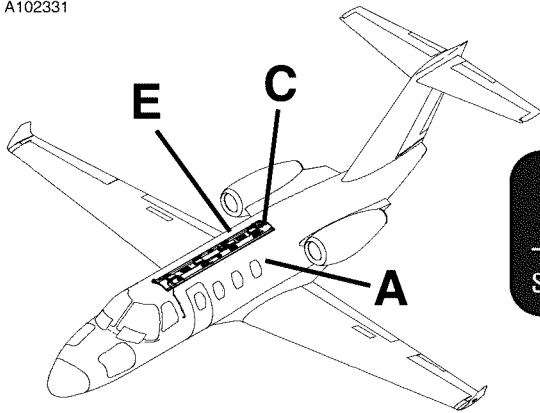
CESSNA®  
**MODEL 525 (SERIALS -0685 AND -0800 AND ON)**  
 ILLUSTRATED PARTS CATALOG

FIG ITEM	PART NUMBER	1 2 3 4 5 6 7	NOMENCLATURE	UNITS
				PER ASSY
01				
150	4316003-22		. PLACARD-SFS W/O ARMREST . . . . .	01 R
151	4316003-23		. PLACARD-SFS W/O ARMREST . . . . .	01 R
152	4316002-32		. PLACARD-LIFE VEST . . . . .	01 R

- ITEM NOT ILLUSTRATED

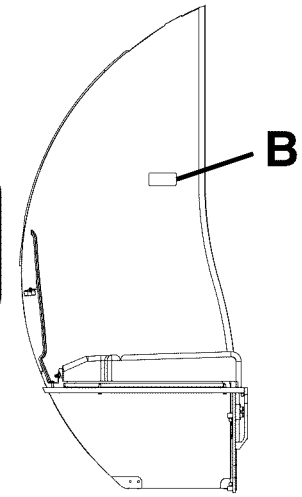
CESSNA®  
**MODEL 525 (SERIALS -0685 AND -0800 AND ON)**  
 ILLUSTRATED PARTS CATALOG

A102331

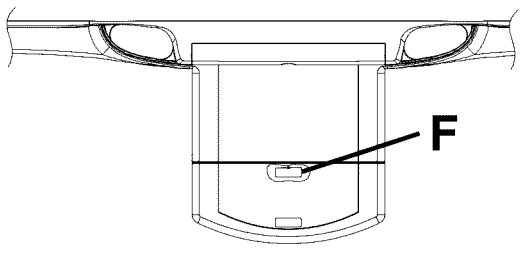


**ARRIMER POUR LE ROULAGE,  
 LE DÉCOLLAGE ET L'ATERRISSAGE.**  
**STOW FOR TAXI, TAKEOFF, AND LANDING.**

6  
 ▲ **DETAIL F**



**DETAIL A**  
 View Looking Forward



**DETAIL E**

View Looking Down on RH Deployed Table

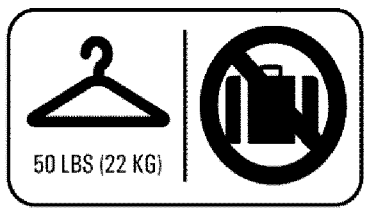
**POUR LE ROULAGE, LE DÉCOLLAGE ET L'ATERRISSAGE:  
 VERROUILLER LES PORTES COULISSANTES EN POSITION D'OUVERTURE;  
 FERMER L'ENSEMBLE DES PORTES ET DES TIROIRS DE RANGEMENTS;  
 ATTACHER LE HARNAIS.**

**GILET DE SAUVETAGE DANS LE RANGEMENT DU SIÈGE.**

**FOR TAXI, TAKEOFF, AND LANDING:  
 LATCH SLIDING DOORS OPEN;  
 CLOSE ALL CABINET DOORS AND DRAWERS;  
 FASTEN SHOULDER HARNESS.**

**LIFE VEST IN SEAT CABINET.**

1  
 ▲ **DETAIL B**



5  
 ▲ **DETAIL D**

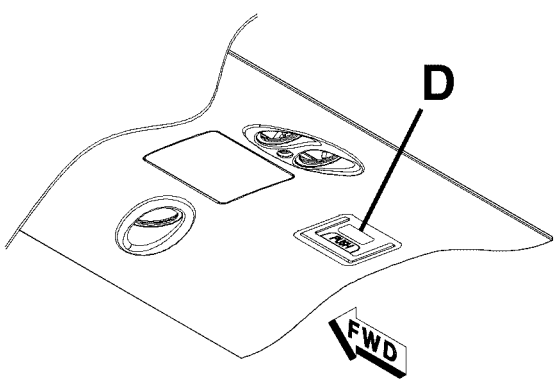
**POUR LE ROULAGE, LE DÉCOLLAGE ET L'ATERRISSAGE:  
 VERROUILLER LES PORTES COULISSANTES EN POSITION D'OUVERTURE;  
 FERMER L'ENSEMBLE DES PORTES ET DES TIROIRS DE RANGEMENTS;  
 ATTACHER LE HARNAIS.**

**GILET DE SAUVETAGE DANS LE RANGEMENT DU SIÈGE.**

**FOR TAXI, TAKEOFF, AND LANDING:  
 STOW CURTAIN;  
 CLOSE ALL CABINET DOORS AND DRAWERS;  
 FASTEN SHOULDER HARNESS.**

**LIFE VEST IN SEAT CABINET.**

3  
 ▲ **DETAIL B**



**DETAIL C**

▲ Required for Dispatch

**FRENCH INTERIOR PLACARDS AND MARKINGS - AFT CABIN  
 FIGURE 02 (SHEET 1)**

6310T1168  
 A6312T1217  
 C6312T1218

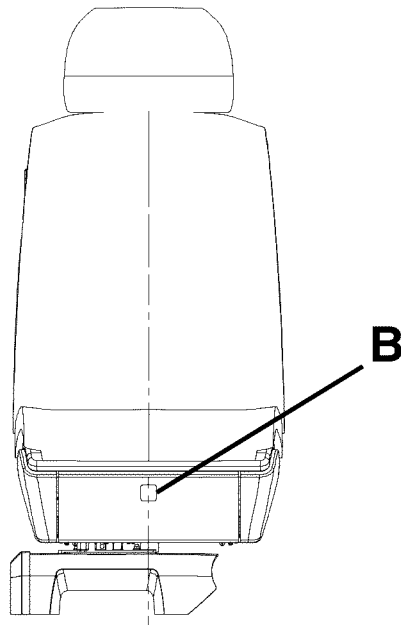
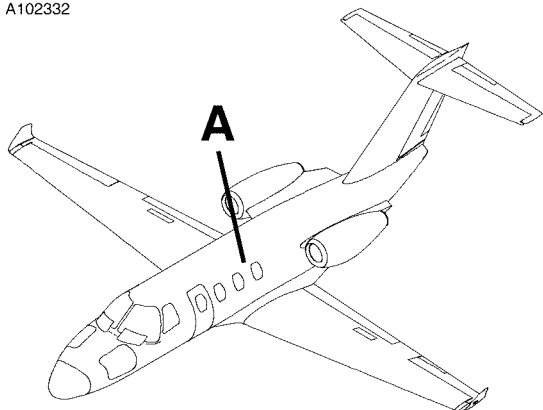
CESSNA®  
**MODEL 525 (SERIALS -0685 AND -0800 AND ON)**  
 ILLUSTRATED PARTS CATALOG

FIG ITEM	PART NUMBER	NOMENCLATURE	UNITS PER ASSY		
			1	2	3
02					
-		FRENCH INTERIOR PLACARDS AND MARKINGS - AFT CABIN		0918	& ON RF R
1	4316003-24	. PLACARD-LH BELTED TOILET (DOOR) . . . . .			01 R
- 2	4316003-25	. PLACARD-LH BELTED TOILET (DOOR) . . . . .			01 R
3	4316003-26	. PLACARD-LH BELTED TOILET (CURTAIN) . . . . .			01 R
- 4	4316003-27	. PLACARD-LH BELTED TOILET (CURTAIN) . . . . .			01 R
5	4316002-34	. PLACARD-COAT ROD . . . . .			01 R
6	4316003-200	. PLACARD-TABLE INSTRUCTIONS . . . . .			04 R

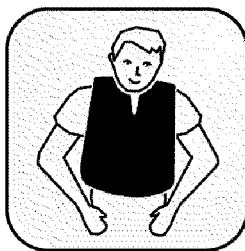
- ITEM NOT ILLUSTRATED

CESSNA®  
MODEL 525 (SERIALS -0685 AND -0800 AND ON)  
ILLUSTRATED PARTS CATALOG

A102332



**DETAIL A**



1

**▲ DETAIL B**

**▲** Required for Dispatch

6310T1168  
A6319T1648

FRENCH INTERIOR PLACARDS AND MARKINGS - CABIN SEATS  
FIGURE 04 (SHEET 1)

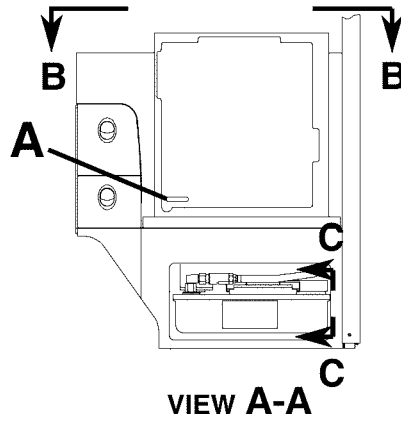
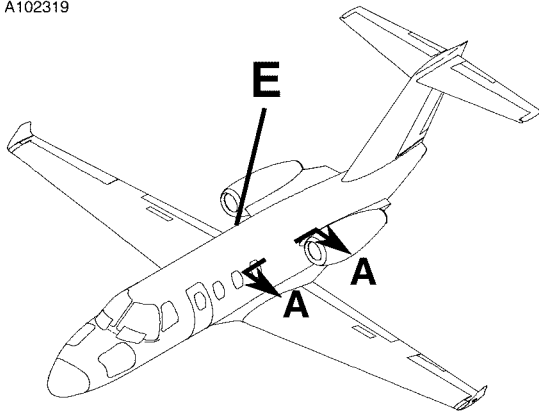
CESSNA®  
**MODEL 525 (SERIALS -0685 AND -0800 AND ON)**  
 ILLUSTRATED PARTS CATALOG

FIG ITEM	PART NUMBER	1 2 3 4 5 6 7	NOMENCLATURE	UNITS PER ASSY		
04			FRENCH INTERIOR PLACARDS AND MARKINGS - CABIN SEATS	0918	& ON	RF R
-	4316002-32		. PLACARD-LIFE VEST .....			04 R

- ITEM NOT ILLUSTRATED

CESSNA®  
**MODEL 525 (SERIALS -0685 AND -0800 AND ON)**  
 ILLUSTRATED PARTS CATALOG

A102319



TOILET CHEMICAL  
 IS CORROSIVE.  
 USE EXTREME CARE  
 TO PREVENT SPILLAGE.  
 FOLLOW SERVICING  
 INSTRUCTIONS CAREFULLY.  
 CLEAN ANY SPILLAGE  
 IMMEDIATELY AND  
 REPORT IT TO THE CREW.



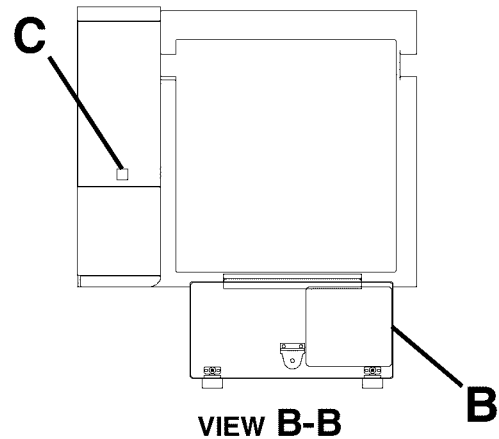
5

▲ **DETAIL F**

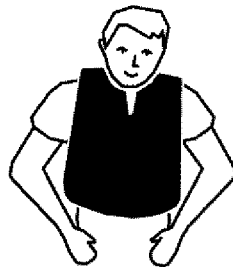
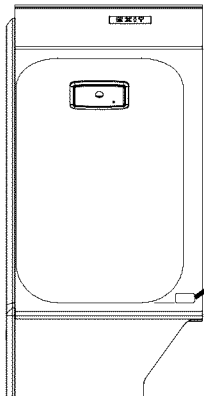
**APPUYER POUR RINCER**

3

**DETAIL A**



1  
**DETAIL D**

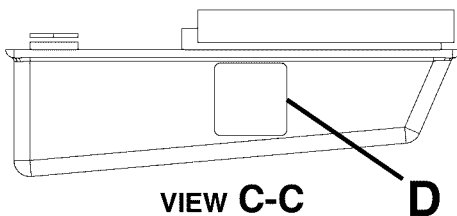


4

▲ **DETAIL C**

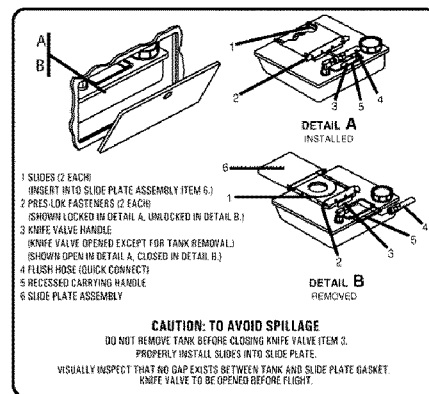
**DETAIL E**

View Looking Outboard



**VIEW C-C**

**D**



- 1 SLIDES (2 EACH)  
 (INSERT INTO SLIDE PLATE ASSEMBLY (ITEM 6))
- 2 PRESS-LOCK FASTENERS (2 EACH)  
 (SHOWN LOCKED IN DETAIL A, UNLOCKED IN DETAIL B.)
- 3 KNIFE VALVE HANDLE  
 (KNIFE VALVE OPENED EXCEPT FOR TANK REMOVAL.)  
 (SHOWN OPEN IN DETAIL A, CLOSED IN DETAIL B.)
- 4 FLUSH HOSE (HOOK CONNECT)
- 5 RESEALED CARRYING HANDLE
- 6 SLIDE PLATE ASSEMBLY

**CAUTION: TO AVOID SPILLAGE**

DO NOT REMOVE TANK BEFORE CLOSING KNIFE VALVE (ITEM 3).  
 PROPERLY INSTALL SLIDES INTO SLIDE PLATE.

VISUALLY INSPECT THAT NO GAP EXISTS BETWEEN TANK AND SLIDE PLATE GASKET.  
 KNIFE VALVE TO BE OPENED BEFORE FLIGHT.

2

**DETAIL B**

6310T1168  
 A4711984-1  
 BB4711984-1  
 CC4711984-1

▲ Required for Dispatch

FRENCH INTERIOR PLACARDS AND MARKINGS - LAVATORY  
 FIGURE 01 (SHEET 1)



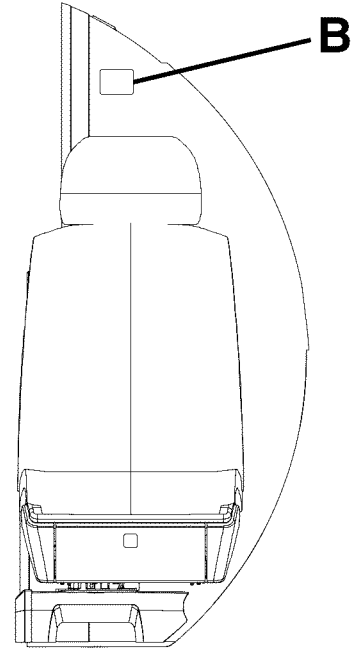
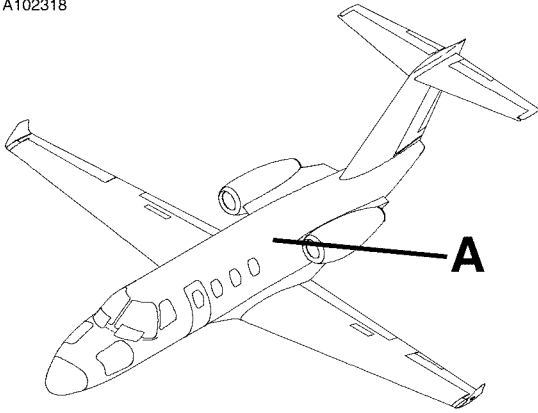
CESSNA®  
**MODEL 525 (SERIALS -0685 AND -0800 AND ON)**  
 ILLUSTRATED PARTS CATALOG

FIG ITEM	PART NUMBER	NOMENCLATURE	UNITS PER ASSY	
			1 2 3 4 5 6 7	
01				
-		FRENCH INTERIOR PLACARDS AND MARKINGS - LAVATORY	0918	& ON RF R
1	4316002-30	. PLACARD-TOILET CARE . . . . .		01 R
2	4316002-36	. PLACARD-TOILET SERVICING . . . . .		01 R
3	4316003-21	. PLACARD-PRESS TO FLUSH . . . . .		01 R
4	4316002-32	. PLACARD-LIFEVEST . . . . .		01 R
5	4316002-33	. PLACARD-NO SMOKING . . . . .		01 R

- ITEM NOT ILLUSTRATED

CESSNA®  
**MODEL 525 (SERIALS -0685 AND -0800 AND ON)**  
ILLUSTRATED PARTS CATALOG

A102318



**NE PAS FUMER DANS LES TOILETTES.**  
**ARRIMER LE RIDEAU POUR LE ROULAGE,**  
**LE DÉCOLLAGE ET L'ATERRISSAGE.**

---

**NO SMOKING IN LAVATORY.**

**STOW CURTAIN**  
**FOR TAXI, TAKEOFF, AND LANDING.**

**DETAIL A**

**2**  
**▲ DETAIL B**

**NE PAS FUMER DANS LES TOILETTES.**  
**VERROUILLER LES PORTES COULISSANTES EN**  
**POSITION D'OUVERTURE POUR LE ROULAGE,**  
**LE DÉCOLLAGE ET L'ATERRISSAGE.**

---

**NO SMOKING IN LAVATORY.**

**LATCH SLIDING DOORS OPEN**  
**FOR TAXI, TAKEOFF, AND LANDING.**

**1**  
**▲ DETAIL B**

**▲ Required for Dispatch**

6310T1168  
A4711T994-16

FRENCH INTERIOR PLACARDS AND MARKINGS - DIVIDERS  
FIGURE 02 (SHEET 1)

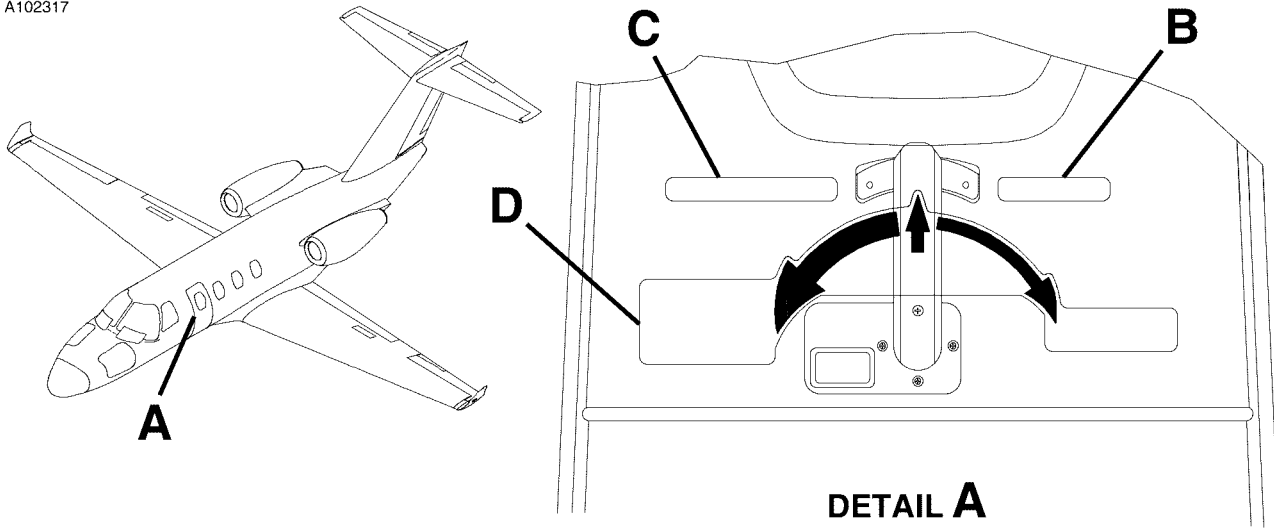
CESSNA®  
**MODEL 525 (SERIALS -0685 AND -0800 AND ON)**  
 ILLUSTRATED PARTS CATALOG

FIG ITEM	PART NUMBER	NOMENCLATURE	UNITS PER ASSY	
			1 2 3 4 5 6 7	
02				
-		FRENCH INTERIOR PLACARDS AND MARKINGS - DIVIDERS	0918	& ON RF R
1	4316003-18	. PLACARD-AFT CABIN INSTRUCTIONS (DOOR ) . . . . .		01 R
2	4316003-19	. PLACARD-AFT CABIN INSTRUCTIONS (CURTAIN) . . . . .		01 R

- ITEM NOT ILLUSTRATED

CESSNA®  
**MODEL 525 (SERIALS -0685 AND -0800 AND ON)**  
 ILLUSTRATED PARTS CATALOG

A102317



**DETAIL A**  
 View Looking Outboard

**TO RELEASE: PUSH BUTTON,  
 PULL TRIGGER ON HANDLE.**

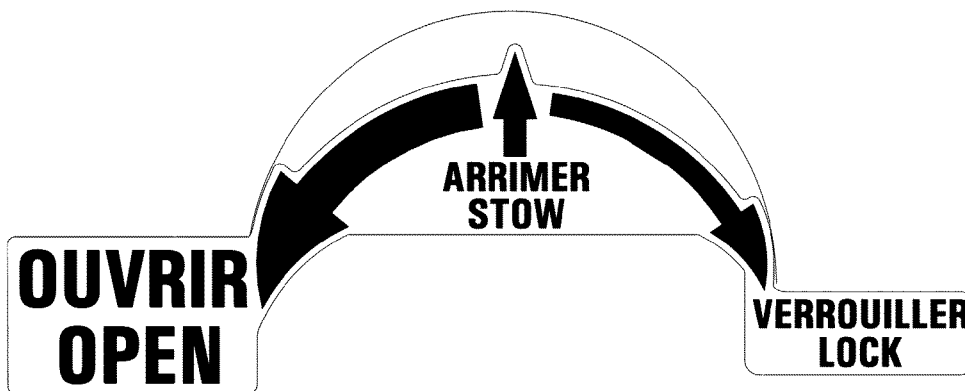
1

▲ **DETAIL B**

**POUR DÉGAGER: POUSSER SUR LE BOUTON,  
 APPUYER SUR LA GÂCHETTE DE LA POIGNÉE.**

2

▲ **DETAIL C**



3

▲ **DETAIL D**

▲ Required for Dispatch

6310T1168  
 A4711T994-11

FRENCH INTERIOR PLACARDS AND MARKINGS - CABIN DOOR  
 FIGURE 01 (SHEET 1)

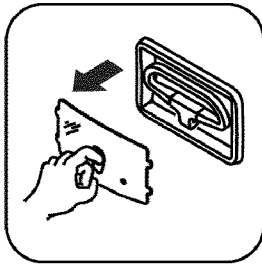
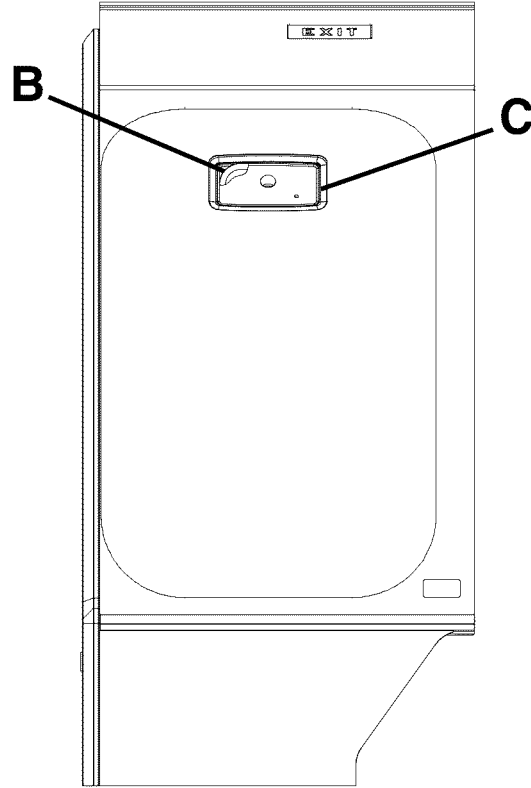
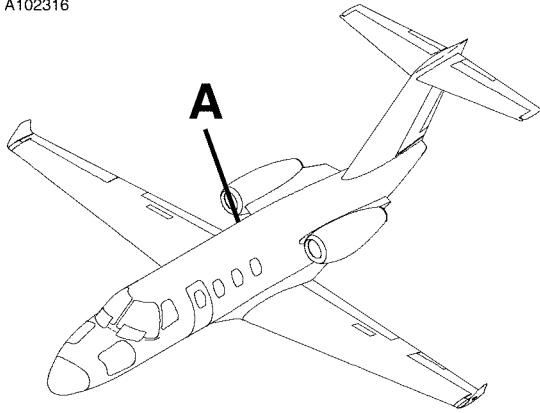
CESSNA®  
**MODEL 525 (SERIALS -0685 AND -0800 AND ON)**  
 ILLUSTRATED PARTS CATALOG

FIG ITEM	PART NUMBER	NOMENCLATURE	UNITS PER ASSY		
			1	2	3
01					
-		FRENCH INTERIOR PLACARDS AND MARKINGS - CABIN DOOR	0918	& ON	RF R
1	4316002-19	. DECAL-CABIN DOOR HANDLE INSTRUCTIONS . . . . .			01 R
2	4316003-15	. DECAL-DECAL CABIN DOOR INSTRUCTIONS . . . . .			01 R
3	4316003-30	. DECAL-CABIN DOOR INSTRUCTIONS . . . . .			01 R

- ITEM NOT ILLUSTRATED

CESSNA®  
**MODEL 525 (SERIALS -0685 AND -0800 AND ON)**  
 ILLUSTRATED PARTS CATALOG

A102316

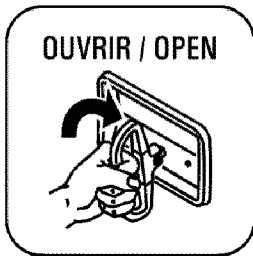


2

▲ **DETAIL E**

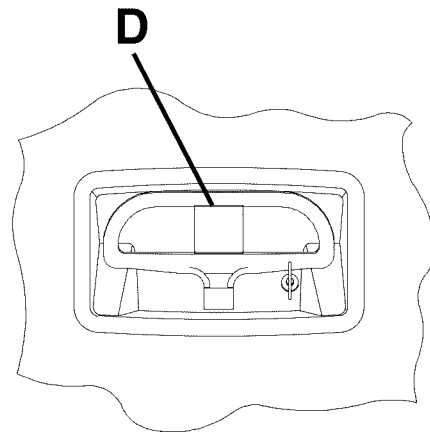
◀ **FWD**

**DETAIL A**  
 View Looking Outboard

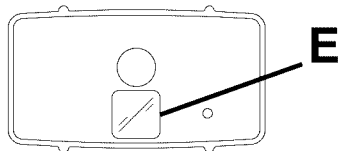


1

▲ **DETAIL D**



**DETAIL B**



**DETAIL C**

▲ Required for Dispatch

FRENCH INTERIOR PLACARDS AND MARKINGS - ESCAPE HATCH  
 FIGURE 02 (SHEET 1)

6310T1168  
 A6310T1180  
 B6310T1180  
 C6310T1180

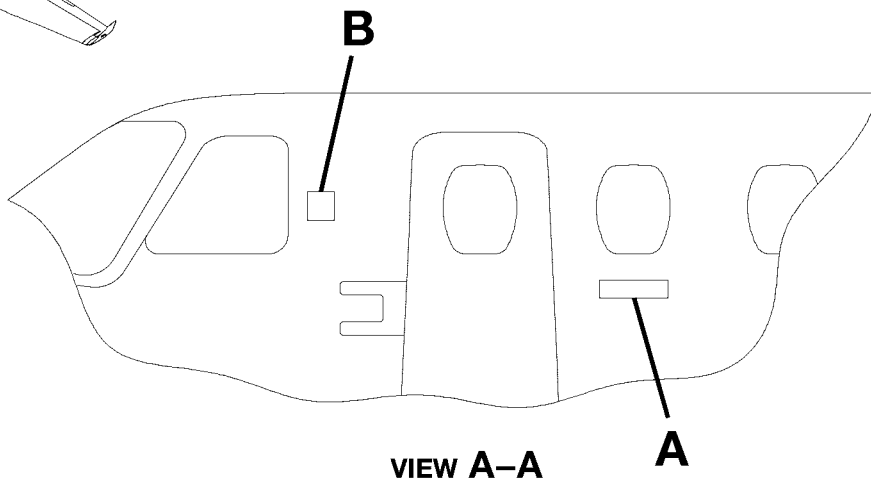
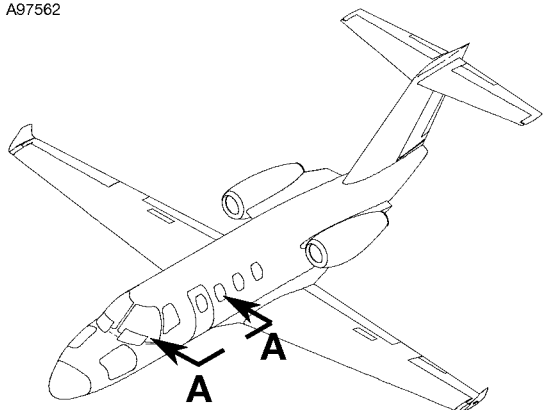
CESSNA®  
**MODEL 525 (SERIALS -0685 AND -0800 AND ON)**  
 ILLUSTRATED PARTS CATALOG

FIG ITEM	PART NUMBER	NOMENCLATURE	UNITS PER ASSY		
			1	2	3
02					
-		FRENCH INTERIOR PLACARDS AND MARKINGS - ESCAPE HATCH	0918	& ON	RF R
1	4316003-20	. PLACARD-ESCAPE HATCH HANDLE INSTRUCTIONS . . . . .			01 R
2	4316002-26	. PLACARD-ESCAPE HATCH COVER INSTRUCTIONS . . . . .			01 R

- ITEM NOT ILLUSTRATED

CESSNA®  
MODEL 525 (SERIALS -0685 AND -0800 AND ON)  
ILLUSTRATED PARTS CATALOG

A97562



3  
DETAIL B

CITATION  
M2

1  
DETAIL A

6310T1168  
AA6314T1174

BRITISH EXTERIOR PLACARDS AND MARKINGS - FUSELAGE  
FIGURE 02 (SHEET 1)



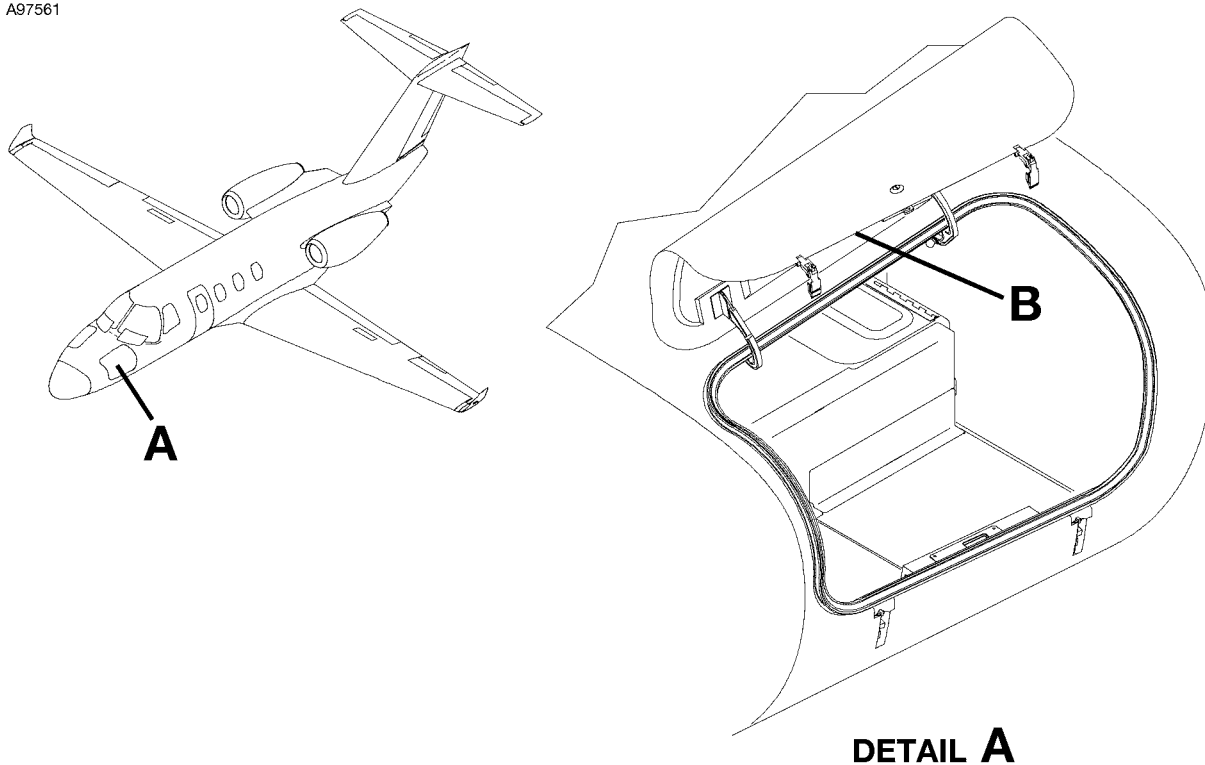
CESSNA®  
**MODEL 525 (SERIALS -0685 AND -0800 AND ON)**  
 ILLUSTRATED PARTS CATALOG

FIG ITEM	PART NUMBER	NOMENCLATURE	UNITS PER ASSY		
			1	2	3
02					
-		BRITISH EXTERIOR PLACARDS AND MARKINGS - FUSELAGE	0840	& ON	RF R
- 1	4416001-32	. DECAL-M2 INSIGNIA . . . . .			02 R
- 2	4416001-31	. PAINTMASK-M2 INSIGNIA . . . . .			01 R
- 3	6505010-124	. DECAL-CESSNA LOGO . . . . .			02 R
- 4	6505010-123	. PAINTMASK-CESSNA LOGO . . . . .			01 R

- ITEM NOT ILLUSTRATED

CESSNA®  
MODEL 525 (SERIALS -0685 AND -0800 AND ON)  
ILLUSTRATED PARTS CATALOG

A97561



MAXIMUM WEIGHT ALLOWANCE  
400 LBS (181 KG).  
MAXIMUM FLOOR LOADING  
35 LBS/FT<sup>2</sup> (170 KG/M<sup>2</sup>).  
SEE AFM FOR WEIGHT  
AND BALANCE DATA.

1

▲ DETAIL B

▲ REQUIRED FOR DISPATCH

BRITISH EXTERIOR PLACARDS AND MARKINGS - NOSE BAGGAGE  
FIGURE 01 (SHEET 1)

6310T1168  
A6313T1003

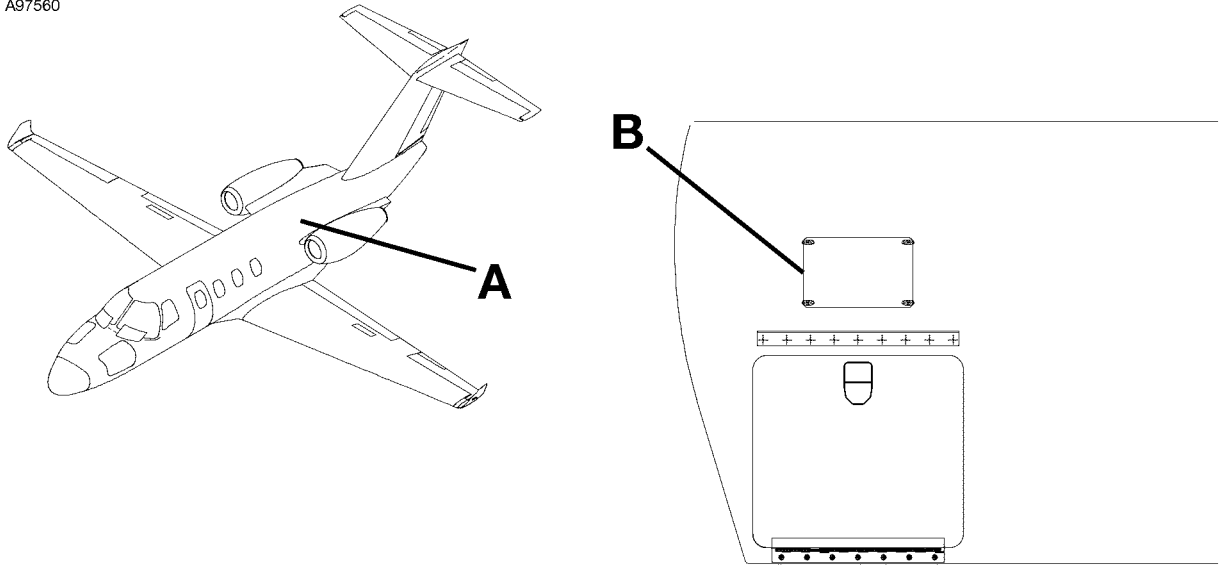
CESSNA®  
**MODEL 525 (SERIALS -0685 AND -0800 AND ON)**  
 ILLUSTRATED PARTS CATALOG

FIG ITEM	PART NUMBER	1 2 3 4 5 6 7	NOMENCLATURE	UNITS PER ASSY		
01						
-			BRITISH EXTERIOR PLACARDS AND MARKINGS - NOSE BAGGAGE	0840	& ON	RF R
1	4416000-163		. PLACARD-NOSE BAGGAGE WEIGHT . . . . .			02 R

- ITEM NOT ILLUSTRATED

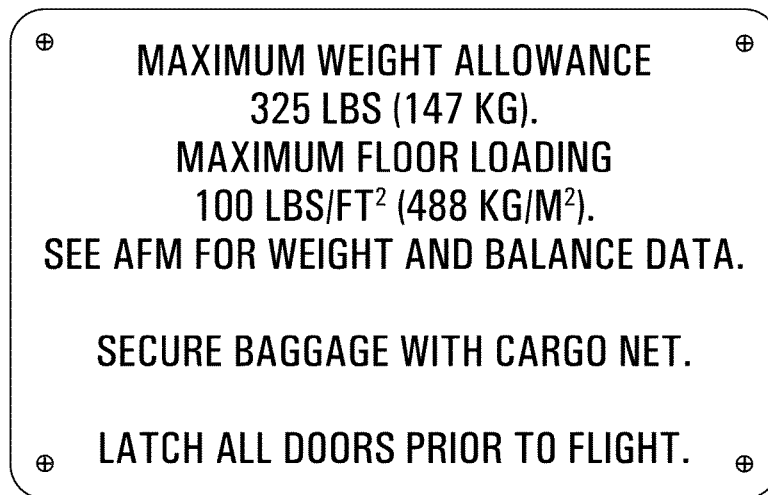
CESSNA®  
**MODEL 525 (SERIALS -0685 AND -0800 AND ON)**  
ILLUSTRATED PARTS CATALOG

A97560



**DETAIL A**

Looking Forward at Left Hand Side Forward Wall



1

▲ **DETAIL B**

▲ REQUIRED FOR DISPATCH

6310T1168  
A6312T1220

BRITISH EXTERIOR PLACARDS AND MARKINGS - AFT BAGGAGE  
FIGURE 02 (SHEET 1)

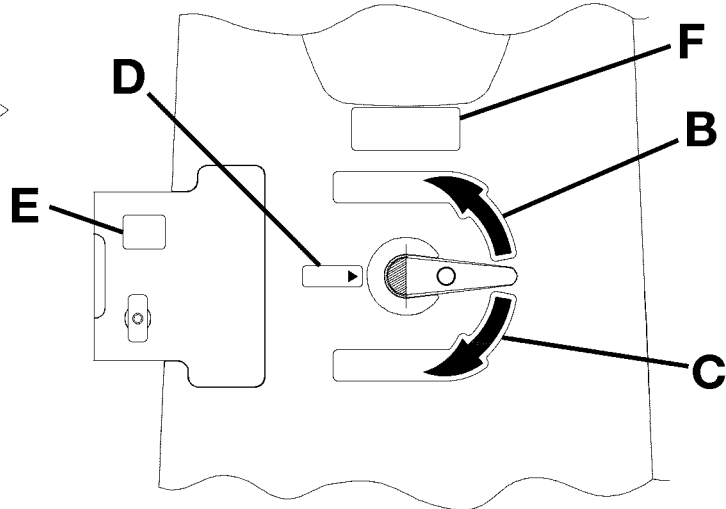
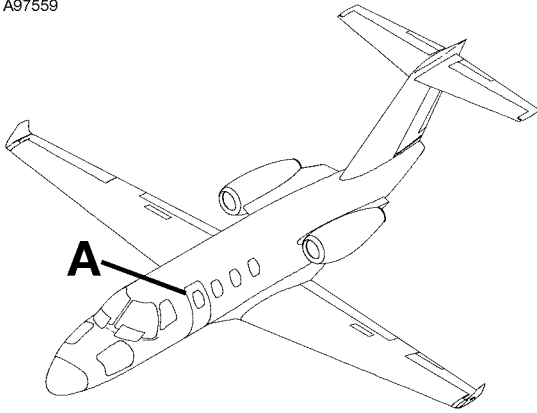
CESSNA®  
**MODEL 525 (SERIALS -0685 AND -0800 AND ON)**  
 ILLUSTRATED PARTS CATALOG

FIG ITEM	PART NUMBER	NOMENCLATURE	UNITS PER ASSY	
			1 2 3 4 5 6 7	
02				
-		BRITISH EXTERIOR PLACARDS AND MARKINGS - AFT BAGGAGE	0840	& ON RF R
- 1	4416004-58	. PLACARD-MAX BAGGAGE WEIGHT 325LB . . . . .		01 R
		ATTACHING PARTS		
- 2	MS35214-14	. SCREW . . . . .		04 R
- 3	MS21069L04	. NUTPLATE . . . . .		04 R
		—*—		

- ITEM NOT ILLUSTRATED

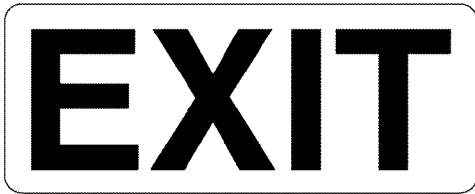
CESSNA®  
**MODEL 525 (SERIALS -0685 AND -0800 AND ON)**  
 ILLUSTRATED PARTS CATALOG

A97559



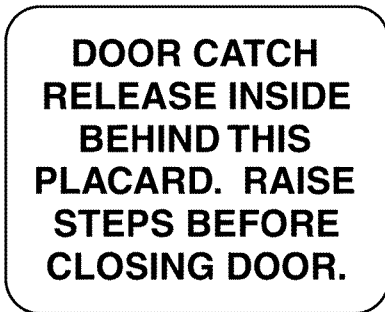
**DETAIL A**

(View Looking Inboard at Entry Door)



5

**DETAIL F**



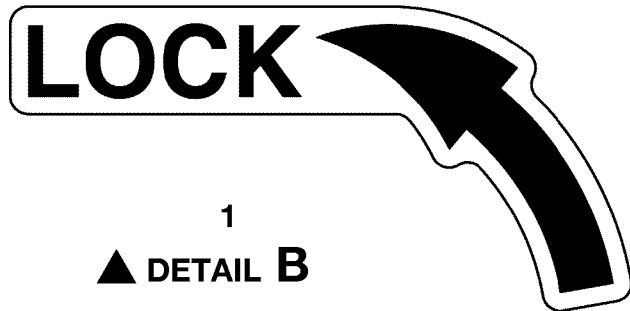
4

**DETAIL E**



3

▲ **DETAIL D**



1

▲ **DETAIL B**



2

▲ **DETAIL C**

▲ **REQUIRED FOR DISPATCH**

6310T1168  
 A6319T1646

BRITISH EXTERIOR PLACARDS AND MARKINGS - CABIN DOOR  
 FIGURE 01 (SHEET 1)

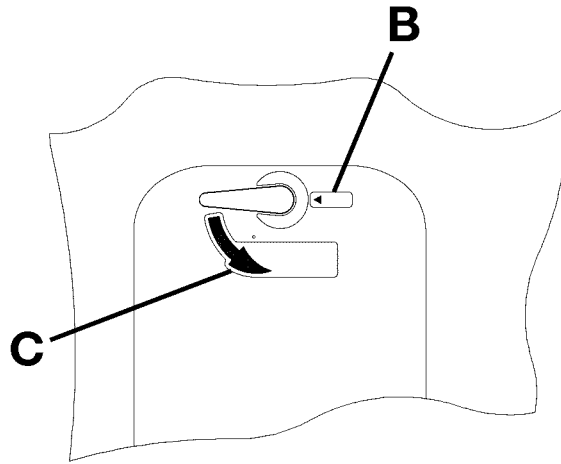
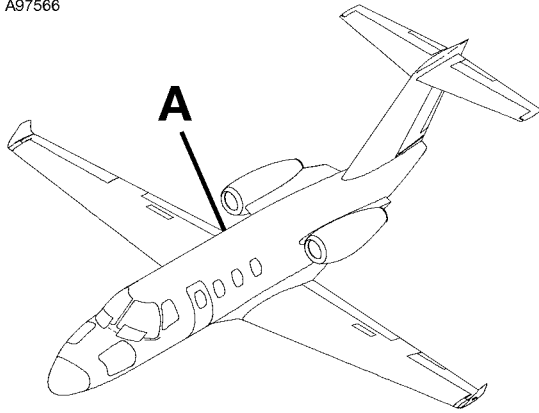
CESSNA®  
**MODEL 525 (SERIALS -0685 AND -0800 AND ON)**  
 ILLUSTRATED PARTS CATALOG

FIG ITEM	PART NUMBER	NOMENCLATURE	UNITS PER ASSY	
			1 2 3 4 5 6 7	
01				
-		BRITISH EXTERIOR PLACARDS AND MARKINGS - CABIN DOOR	0840	& ON RF R
1	4316002-16	. DECAL-LOCK . . . . .		01 R
2	4316002-17	. DECAL-OPEN . . . . .		01 R
3	4316002-15	. DECAL-PUSH . . . . .		01 R
4	4416000-172	. PLACARD-PRECATCH HANDLE . . . . .		01 R
5	4416002-92	. DECAL-EXIT . . . . .		01 R

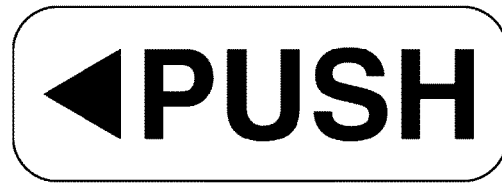
- ITEM NOT ILLUSTRATED

CESSNA®  
MODEL 525 (SERIALS -0685 AND -0800 AND ON)  
ILLUSTRATED PARTS CATALOG

A97566



**DETAIL A**  
Looking Inboard at Escape Hatch



2  
▲ **DETAIL B**



1  
▲ **DETAIL C**

▲ **REQUIRED FOR DISPATCH**

BRITISH EXTERIOR PLACARDS AND MARKINGS - ESCAPE HATCH  
FIGURE 02 (SHEET 1)

6310T1168  
A4711953-2



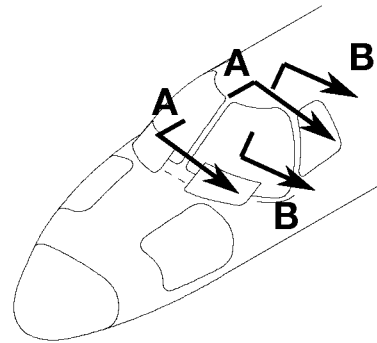
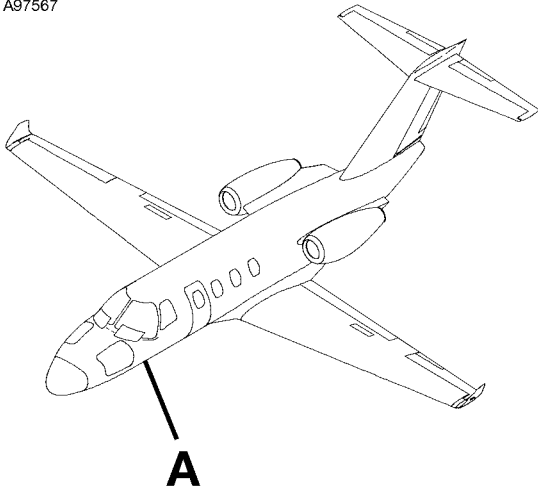
CESSNA®  
**MODEL 525 (SERIALS -0685 AND -0800 AND ON)**  
 ILLUSTRATED PARTS CATALOG

FIG ITEM	PART NUMBER	1 2 3 4 5 6 7	NOMENCLATURE	UNITS PER ASSY		
02						
-			BRITISH EXTERIOR PLACARDS AND MARKINGS - ESCAPE HATCH	0840	& ON	RF R
1	4316002-1		. DECAL-EMERGENCY EXIT (OPEN) . . . . .			01 R
2	4316002-2		. DECAL-EMERGENCY EXIT (PUSH) . . . . .			01 R

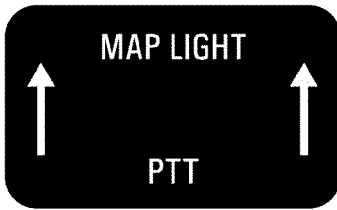
- ITEM NOT ILLUSTRATED

CESSNA®  
**MODEL 525 (SERIALS -0685 AND -0800 AND ON)**  
 ILLUSTRATED PARTS CATALOG

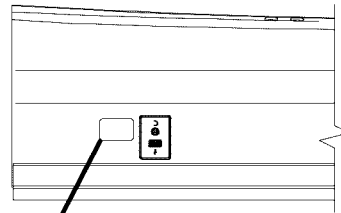
A97567



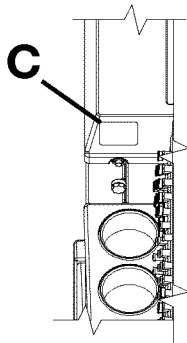
**DETAIL A**



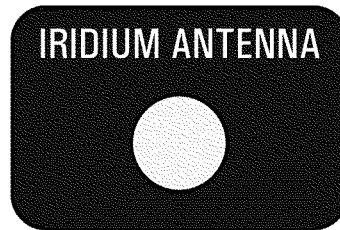
**2**  
**DETAIL C**



**B**  
**VIEW A-A**



**VIEW B-B**  
 View Looking at Left Hand Side Console



**1**  
**DETAIL B**

6310T1168  
 B6310T1168  
 AA6310T1183  
 BB6310T1184

BRITISH INTERIOR PLACARDS AND MARKINGS - LH CONSOLE  
 FIGURE 04 (SHEET 1)

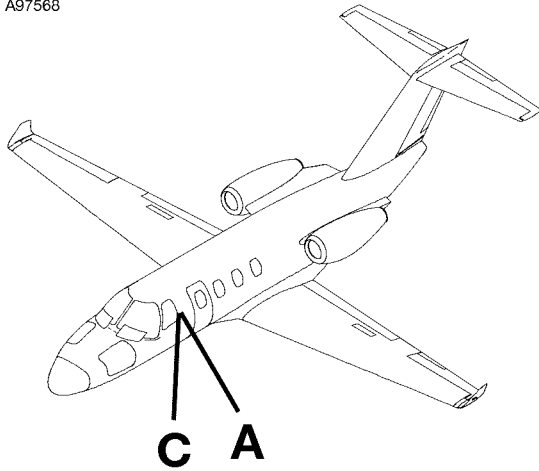
CESSNA®  
**MODEL 525 (SERIALS -0685 AND -0800 AND ON)**  
 ILLUSTRATED PARTS CATALOG

FIG ITEM	PART NUMBER	1 2 3 4 5 6 7	NOMENCLATURE	UNITS PER ASSY		
04			BRITISH INTERIOR PLACARDS AND MARKINGS - LH CONSOLE	0840	& ON	RF R
-						
1	4316002-35		. PLACARD-IRIDIUM ANTENNA . . . . .			01 R
2	4316002-38		. PLACARD-MAP LIGHT . . . . .			02 R

- ITEM NOT ILLUSTRATED

CESSNA®  
**MODEL 525 (SERIALS -0685 AND -0800 AND ON)**  
 ILLUSTRATED PARTS CATALOG

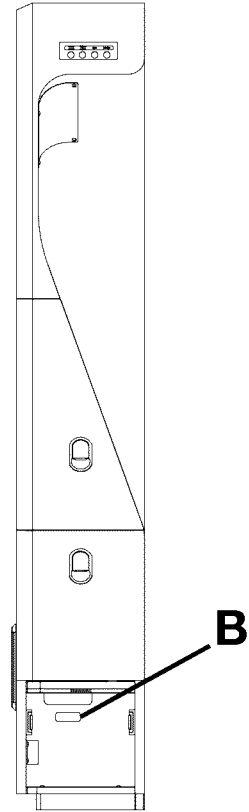
A97568



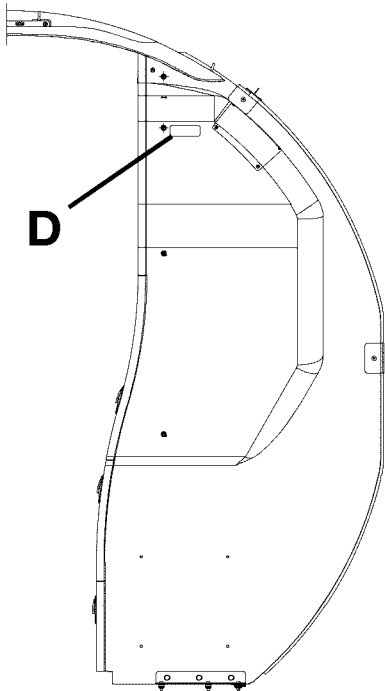
STOW CURTAIN FOR  
 TAXI, TAKEOFF, AND LANDING.

2

▲ **DETAIL D**



**DETAIL A**



**DETAIL C**

Looking Aft at Left Hand Cabinet Assembly

**CABIN BRIEFER  
 PROGRAM LOAD PORT**

1

**DETAIL B**

▲ **REQUIRED FOR DISPATCH**

BRITISH INTERIOR PLACARDS AND MARKINGS - FLIGHT COMPARTMENT  
 FIGURE 05 (SHEET 1)

6310T1168  
 A471T1953  
 C471T1953

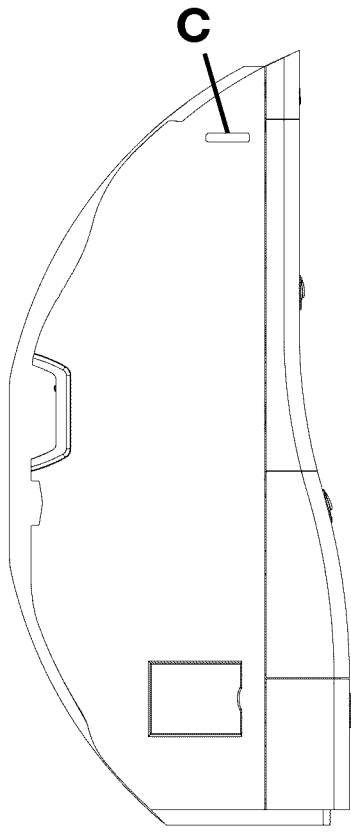
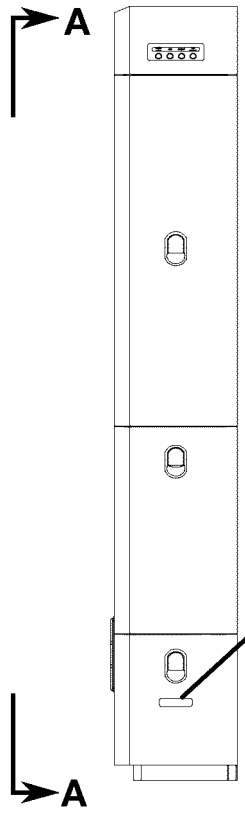
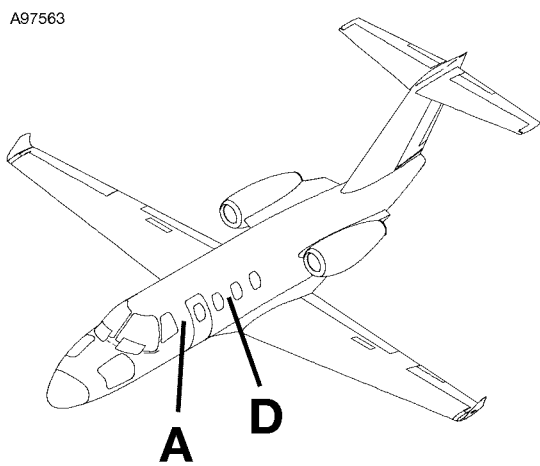
CESSNA®  
**MODEL 525 (SERIALS -0685 AND -0800 AND ON)**  
 ILLUSTRATED PARTS CATALOG

FIG ITEM	PART NUMBER	1 2 3 4 5 6 7	NOMENCLATURE	UNITS PER ASSY		
05			BRITISH INTERIOR PLACARDS AND MARKINGS - FLIGHT COMPARTMENT	0840	& ON	RF R
-						
1	4316002-40		. PLACARD-CABIN BRIEFER PORT . . . . .			01 R
2	4316002-8		. PLACARD-CURTAIN STOWAGE . . . . .			01 R

- ITEM NOT ILLUSTRATED

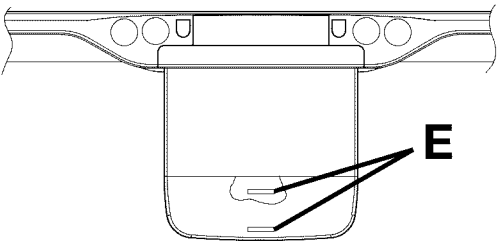
CESSNA®  
**MODEL 525 (SERIALS -0685 AND -0800 AND ON)**  
 ILLUSTRATED PARTS CATALOG

A97563



**STOW FOR TAXI, TAKEOFF, AND LANDING.**

**3**  
 ▲ **DETAIL E**



**DETAIL D**

Looking Down on Right Hand Side Deployed Table,  
 Left Hand Side Opposite

**DETAIL A**

**VIEW A-A**

**CLOSE ALL CABINET DOORS AND DRAWERS  
 FOR TAXI, TAKEOFF, AND LANDING.**

**2**  
 ▲ **DETAIL C**

**NO CIGARETTE DISPOSAL;  
 METAL TRASH LINER REQUIRED.**

**1**  
 ▲ **DETAIL B**

6310T1168  
 A6320T1021  
 AA6320T1021  
 D6320T1021

▲ **REQUIRED FOR DISPATCH**

**BRITISH INTERIOR PLACARDS AND MARKINGS - FORWARD CABIN  
 FIGURE 01 (SHEET 1)**

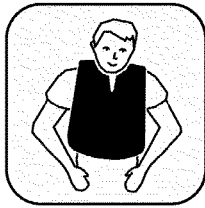
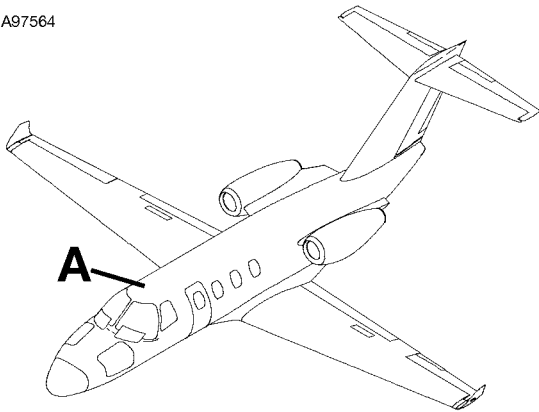
CESSNA®  
**MODEL 525 (SERIALS -0685 AND -0800 AND ON)**  
 ILLUSTRATED PARTS CATALOG

FIG ITEM	PART NUMBER	1 2 3 4 5 6 7	NOMENCLATURE	UNITS PER ASSY		
				0840	& ON	RF R
01			BRITISH INTERIOR PLACARDS AND MARKINGS - FORWARD CABIN			
-						
1	4316002-20		. PLACARD-TRASH CONTAINER . . . . .			01 R
2	4316002-23		. PLACARD-CABINET DOOR INSTRUCTIONS . . . . .			01 R
3	4316002-200		. PLACARD-TABLE INSTRUCTIONS . . . . .			04 R

- ITEM NOT ILLUSTRATED

CESSNA®  
**MODEL 525 (SERIALS -0685 AND -0800 AND ON)**  
 ILLUSTRATED PARTS CATALOG

A97564



79

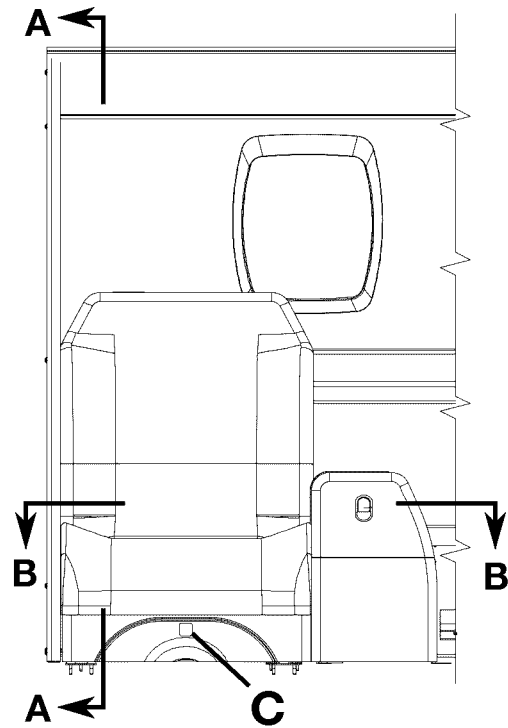
▲ **DETAIL C**

**FASTEN SHOULDER HARNESS FOR TAXI, TAKEOFF, AND LANDING.**



77

▲ **DETAIL D**



**DETAIL A**

Looking Outboard at Side Facing Seat

76

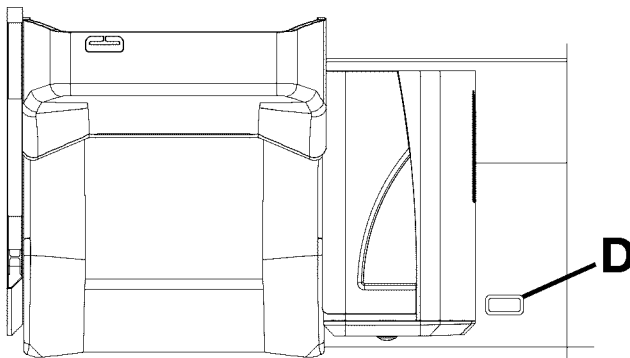
▲ **DETAIL B**

**FASTEN SHOULDER HARNESS FOR TAXI, TAKEOFF, AND LANDING**

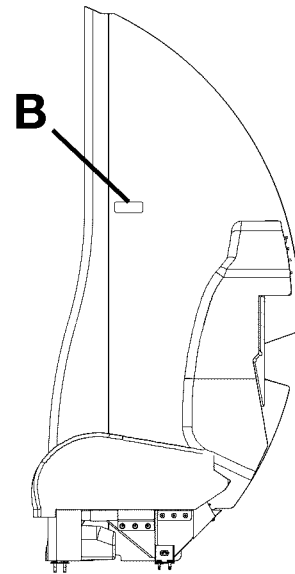
**LIFE VEST IN SEAT BASE.**

75

▲ **DETAIL B**



**VIEW B-B**



**VIEW A-A**

6310T1168  
 A6320T1021  
 AA6320T1021  
 BB6320T1021

▲ **REQUIRED FOR DISPATCH**

**BRITISH INTERIOR PLACARDS AND MARKINGS - FORWARD CABIN  
 FIGURE 01 (SHEET 2)**



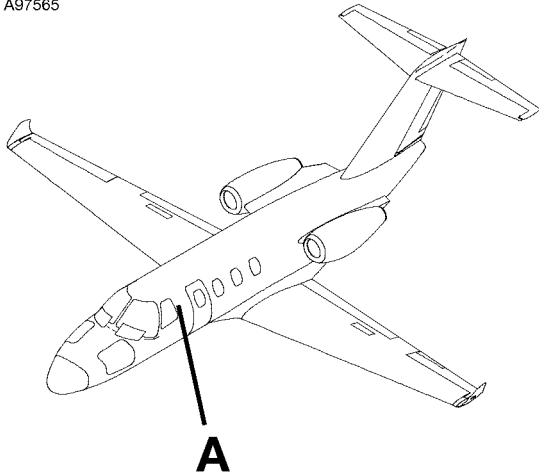
CESSNA®  
**MODEL 525 (SERIALS -0685 AND -0800 AND ON)**  
 ILLUSTRATED PARTS CATALOG

FIG ITEM	PART NUMBER	NOMENCLATURE	UNITS PER ASSY
	1 2 3 4 5 6 7		
01			
75	4316002-21	. PLACARD-SIDE FACING SEAT W/O ARMREST INSTRUCTIONS . . . . .	01 R
76	4316002-44	. PLACARD-SIDE FACING SEAT W/O ARMREST . . . . .	01 R
77	4316002-24	. PLACARD-AIR INLET . . . . .	01 R
- 78	4717018-3	. PLACARD-COVER . . . . .	01 R
79	4316002-32	. PLACARD-LIFE VEST . . . . .	01 R

- ITEM NOT ILLUSTRATED

CESSNA®  
MODEL 525 (SERIALS -0685 AND -0800 AND ON)  
ILLUSTRATED PARTS CATALOG

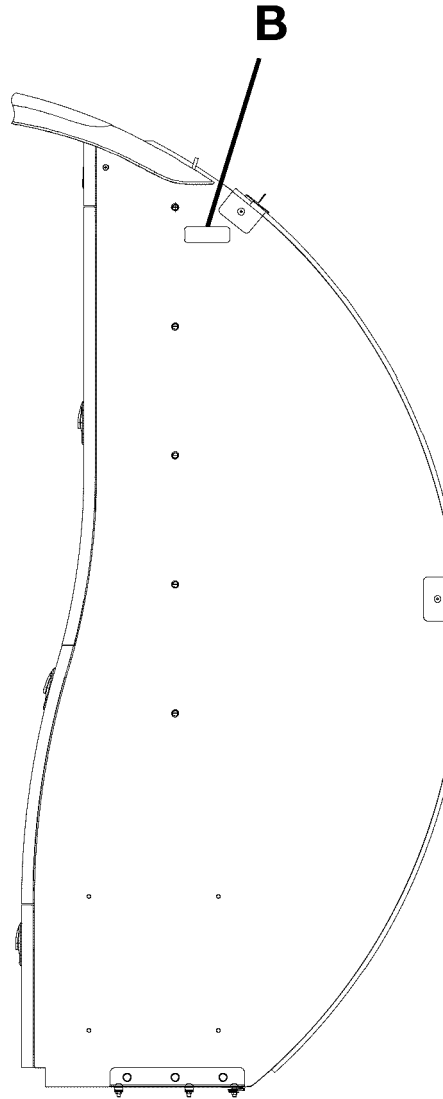
A97565



STOW CURTAIN FOR  
TAXI, TAKEOFF, AND LANDING.

150

▲ **DETAIL B**



**DETAIL A**

View Looking Aft at Left Hand Side  
Forward Refreshment Center

▲ **REQUIRED FOR DISPATCH**

BRITISH INTERIOR PLACARDS AND MARKINGS - FORWARD CABIN  
FIGURE 01 (SHEET 3)

6310T1168  
A4711953-25

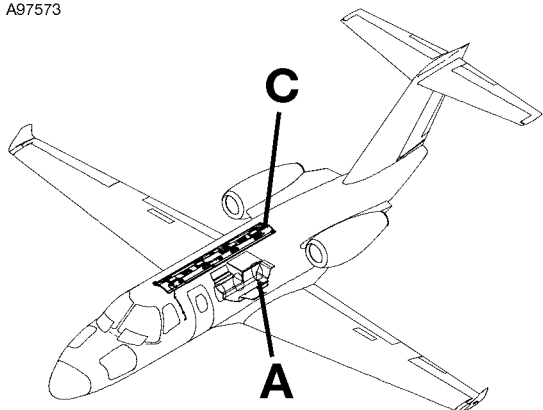
CESSNA®  
**MODEL 525 (SERIALS -0685 AND -0800 AND ON)**  
 ILLUSTRATED PARTS CATALOG

FIG ITEM	PART NUMBER	1 2 3 4 5 6 7	NOMENCLATURE	UNITS
				PER ASSY
01				
150	4316002-8		. PLACARD-CURTAIN INSTRUCTIONS . . . . .	01 R

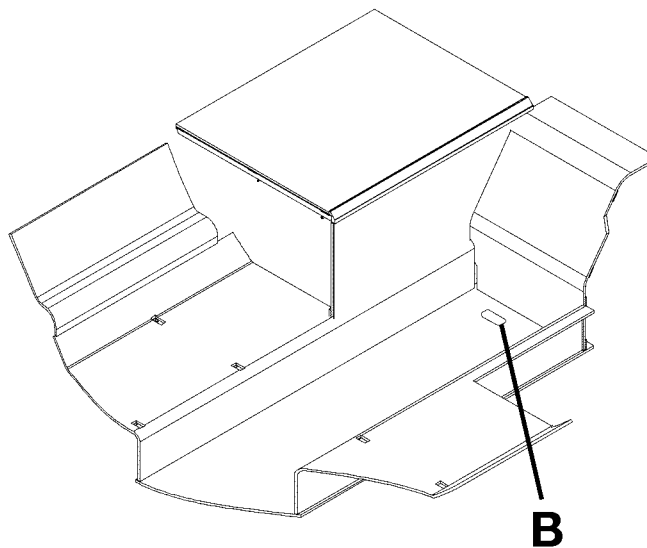
- ITEM NOT ILLUSTRATED

CESSNA®  
**MODEL 525 (SERIALS -0685 AND -0800 AND ON)**  
 ILLUSTRATED PARTS CATALOG

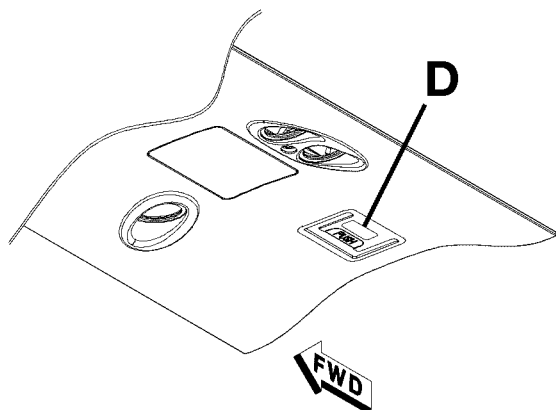
A97573



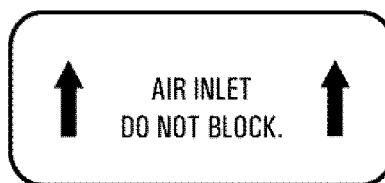
**3**  
**▲ DETAIL D**



**DETAIL A**



**DETAIL C**



**1**  
**DETAIL B**

**▲ REQUIRED FOR DISPATCH**

BRITISH INTERIOR PLACARDS AND MARKINGS - AFT CABIN  
 FIGURE 02 (SHEET 1)

6310T1168  
 A6312T1217  
 C6312T1218

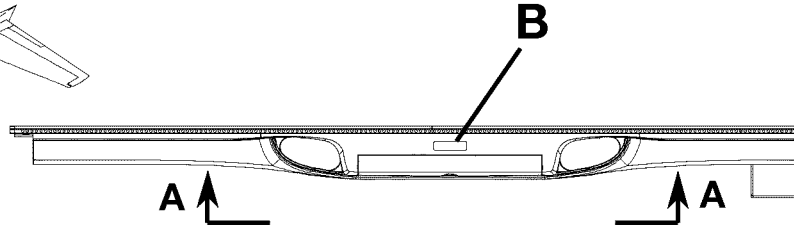
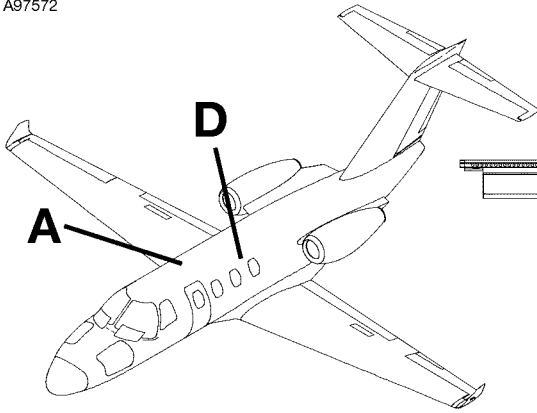
CESSNA®  
**MODEL 525 (SERIALS -0685 AND -0800 AND ON)**  
 ILLUSTRATED PARTS CATALOG

FIG ITEM	PART NUMBER	1 2 3 4 5 6 7	NOMENCLATURE	UNITS PER ASSY		
				0840	& ON	RF R
02			BRITISH INTERIOR PLACARDS AND MARKINGS - AFT CABIN			
-				0840	& ON	RF R
1	4316002-24		. PLACARD-AIR INLET . . . . .			01 R
- 2	4717018-3		. PLACARD-COVER . . . . .			01 R
3	4316002-34		. PLACARD-COAT ROD . . . . .			01 R

- ITEM NOT ILLUSTRATED

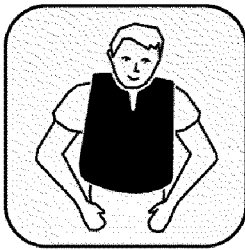
CESSNA®  
**MODEL 525 (SERIALS -0685 AND -0800 AND ON)**  
 ILLUSTRATED PARTS CATALOG

A97572



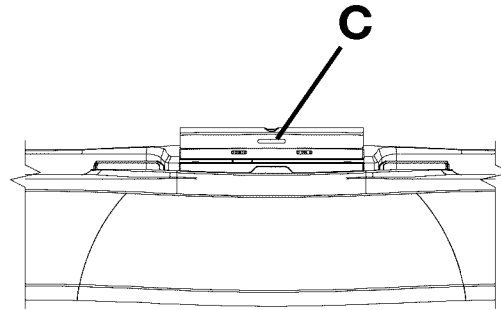
**DETAIL A**

Looking Down on Right Hand Sideledge



3

▲ **DETAIL E**



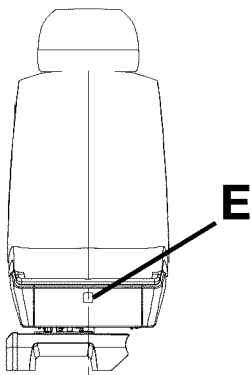
**VIEW A-A**

Table Lid Shown in Upright Position

**FOR TAXI, TAKEOFF, AND LANDING: RAISE SEAT BACK; EXTEND HEADREST; TRACK SEAT TOWARD FRONT OF AIRCRAFT THEN OUTBOARD; FASTEN SHOULDER HARNESS.**

1

▲ **DETAIL B**



**DETAIL D**

**CLOSE LID FOR TAXI, TAKEOFF, AND LANDING.**

2

▲ **DETAIL C**

▲ **REQUIRED FOR DISPATCH**

BRITISH INTERIOR PLACARDS AND MARKINGS - CABIN SEATS  
 FIGURE 04 (SHEET 1)

6310T1168  
 A6319T1647  
 AA6319T1647  
 D6319T1648

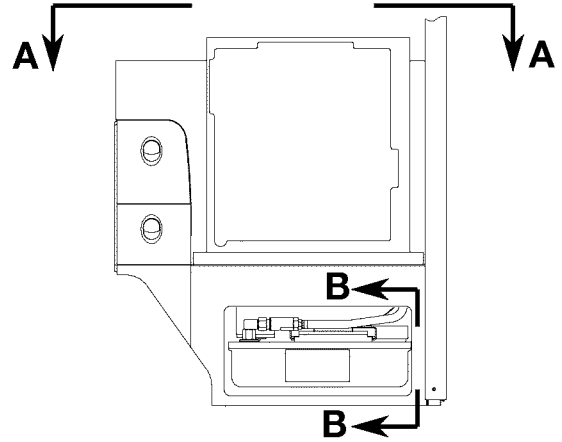
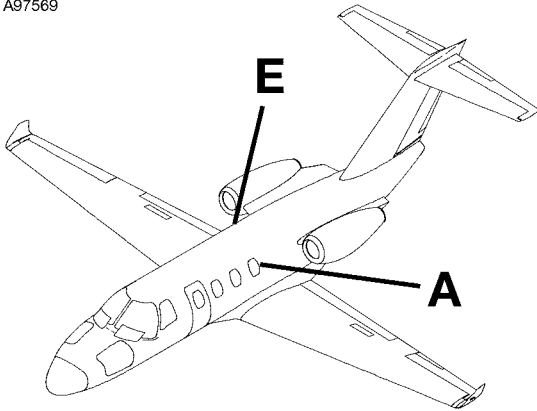
CESSNA®  
**MODEL 525 (SERIALS -0685 AND -0800 AND ON)**  
 ILLUSTRATED PARTS CATALOG

FIG ITEM	PART NUMBER	NOMENCLATURE	UNITS PER ASSY		
			1	2	3
04					
-		BRITISH INTERIOR PLACARDS AND MARKINGS - CABIN SEATS	0840	& ON	RF R
1	4316002-46	. PLACARD-SEAT INSTRUCTIONS . . . . .			02 R
- 1A	4316002-47	. PLACARD-SEAT INSTRUCTIONS OPTIONAL . . . . .			02 R
2	4316002-28	. PLACARD-TABLE LID INSTRUCTIONS . . . . .			02 R
3	4316002-32	. PLACARD-LIFEVEST . . . . .			04 R

- ITEM NOT ILLUSTRATED

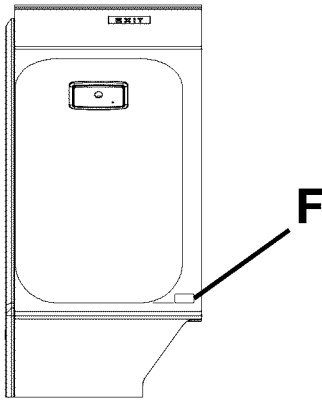
CESSNA®  
**MODEL 525 (SERIALS -0685 AND -0800 AND ON)**  
 ILLUSTRATED PARTS CATALOG

A97569



**DETAIL A**

View Looking Outboard



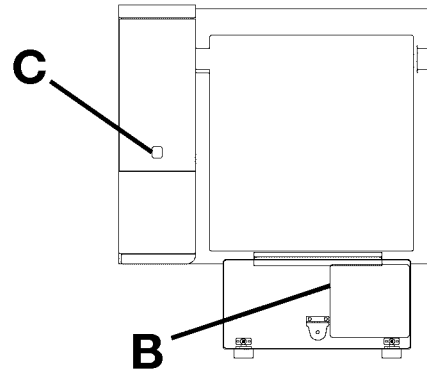
**DETAIL E**

View Looking Outboard



4

▲ **DETAIL F**

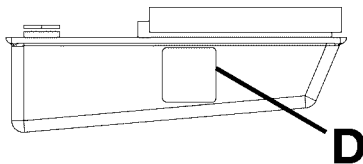


**VIEW A-A**

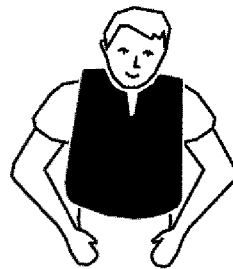
TOILET CHEMICAL  
 IS CORROSIVE.  
 USE EXTREME CARE  
 TO PREVENT SPILLAGE.  
 FOLLOW SERVICING  
 INSTRUCTIONS CAREFULLY.  
 CLEAN ANY SPILLAGE  
 IMMEDIATELY AND  
 REPORT IT TO THE CREW.

1

**DETAIL D**

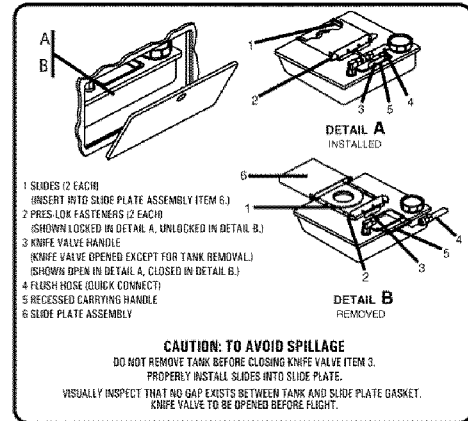


**VIEW B-B**



3

▲ **DETAIL C**



2

**DETAIL B**

6310T1168  
 A6319T1360  
 AA6319T1361  
 BB6319T1360  
 E6314T1662

▲ REQUIRED FOR DISPATCH

BRITISH INTERIOR PLACARDS AND MARKINGS - LAVATORY  
 FIGURE 01 (SHEET 1)



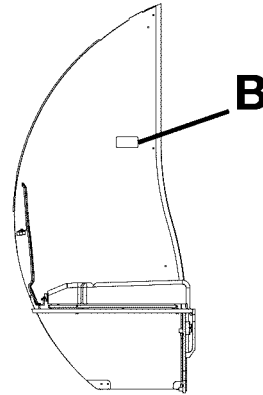
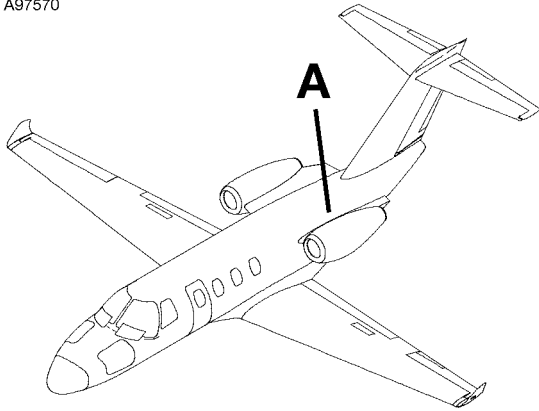
CESSNA®  
**MODEL 525 (SERIALS -0685 AND -0800 AND ON)**  
 ILLUSTRATED PARTS CATALOG

FIG ITEM	PART NUMBER	NOMENCLATURE	UNITS	
			PER	ASSY
01				
-		BRITISH INTERIOR PLACARDS AND MARKINGS - LAVATORY	0840	& ON RF R
1	4316002-30	. PLACARD-TOILET CARE . . . . .		01 R
2	4316002-36	. PLACARD-TOILET SERVICING . . . . .		01 R
3	4316002-32	. PLACARD-LIFEVEST . . . . .		01 R
4	4316002-33	. PLACARD-NO SMOKING . . . . .		01 R

- ITEM NOT ILLUSTRATED

CESSNA®  
**MODEL 525 (SERIALS -0685 AND -0800 AND ON)**  
ILLUSTRATED PARTS CATALOG

A97570



**DETAIL A**

View Looking Forward at Left Hand Side  
Toilet Assembly and Left Hand Side Aft Divider

FOR TAXI, TAKEOFF, AND LANDING:  
LATCH SLIDING DOOR OPEN;  
CLOSE ALL CABINET DOORS AND DRAWERS;  
FASTEN SHOULDER HARNESS.

LIFE VEST IN SEAT CABINET.

75

▲ **DETAIL B**

FOR TAXI, TAKEOFF, AND LANDING:  
STOW CURTAIN;  
CLOSE ALL CABINET DOORS AND DRAWERS;  
FASTEN SHOULDER HARNESS.

77

▲ **DETAIL B**

FOR TAXI, TAKEOFF, AND LANDING:  
LATCH SLIDING DOOR OPEN;  
CLOSE ALL CABINET DOORS AND DRAWERS;  
FASTEN SHOULDER HARNESS.

76

▲ **DETAIL B**

▲ REQUIRED FOR DISPATCH

BRITISH INTERIOR PLACARDS AND MARKINGS - LAVATORY  
FIGURE 01 (SHEET 2)

6310T1168  
A6319T1650

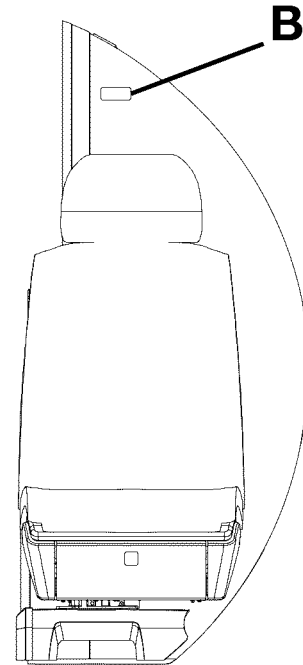
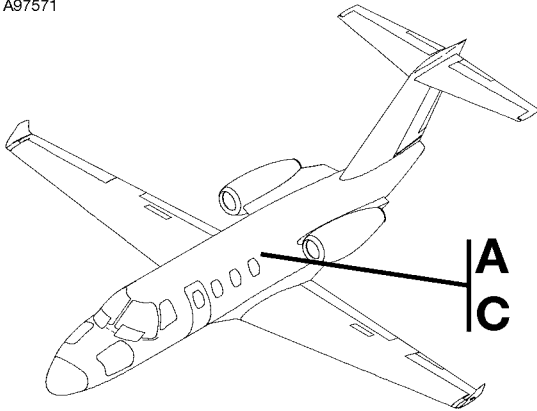
CESSNA®  
**MODEL 525 (SERIALS -0685 AND -0800 AND ON)**  
 ILLUSTRATED PARTS CATALOG

FIG ITEM	PART NUMBER	NOMENCLATURE	UNITS
			PER ASSY
		1 2 3 4 5 6 7	
01			
75	4316002-42	. PLACARD-LH BELTED TOILET INSTRUCTIONS (DOOR) . . . . .	01 R
76	4316002-43	. PLACARD-LH BELTED TOILET INSTRUCTIONS (DOOR) W/O LIFE VEST . . . . .	01 R
77	4316002-45	. PLACARD-LH BELTED TOILET INSTRUCTIONS (CURTAIN) . . . . .	01 R

- ITEM NOT ILLUSTRATED

CESSNA®  
**MODEL 525 (SERIALS -0685 AND -0800 AND ON)**  
 ILLUSTRATED PARTS CATALOG

A97571



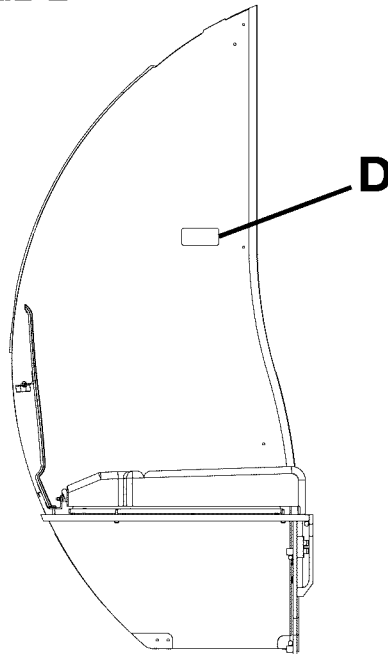
**FOR TAXI, TAKEOFF, AND LANDING:  
 STOW CURTAIN;  
 CLOSE ALL CABINET DOORS AND DRAWERS;  
 FASTEN SHOULDER HARNESS.  
 LIFE VEST IN SEAT CABINET.**

3

▲ **DETAIL D**

**DETAIL A**

Looking Aft



**NO SMOKING IN LAVATORY.  
 STOW CURTAIN  
 FOR TAXI, TAKEOFF, AND LANDING.**

1

▲ **DETAIL B**

**NO SMOKING IN LAVATORY.  
 LATCH SLIDING DOOR OPEN  
 FOR TAXI, TAKEOFF, AND LANDING.**

2

▲ **DETAIL B**

▲ **REQUIRED FOR DISPATCH**

**DETAIL C**

Looking Forward

6310T1168  
 A6319T1649  
 C6319T1650

BRITISH INTERIOR PLACARDS AND MARKINGS - DIVIDERS  
 FIGURE 02 (SHEET 1)

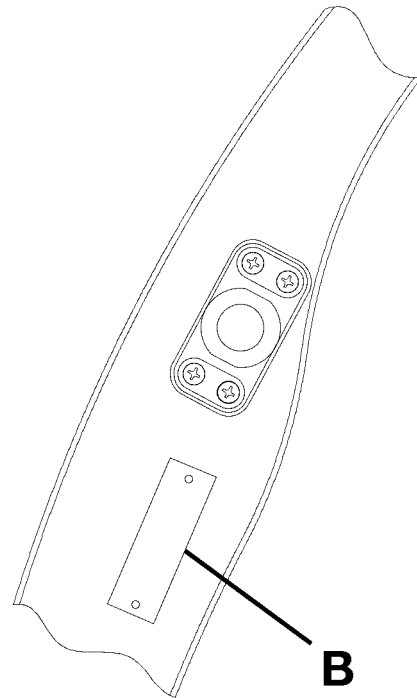
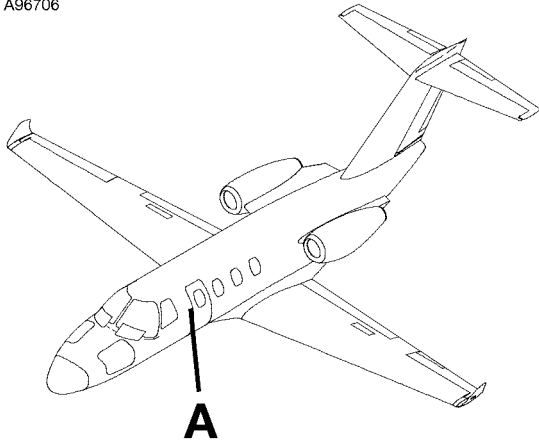
CESSNA®  
**MODEL 525 (SERIALS -0685 AND -0800 AND ON)**  
 ILLUSTRATED PARTS CATALOG

FIG ITEM	PART NUMBER	NOMENCLATURE	UNITS PER ASSY		
			1	2	3
02					
-		BRITISH INTERIOR PLACARDS AND MARKINGS - DIVIDERS		0840	& ON RF R
1	4316002-25	. PLACARD-AFT CABIN INSTRUCTIONS . . . . .			01 R
2	4316002-41	. PLACARD-AFT CABIN INSTRUCTIONS (DOOR) . . . . .			01 R
3	4316002-29	. PLACARD-AFT CABIN INSTRUCTIONS (CURTAIN) . . . . .			01 R

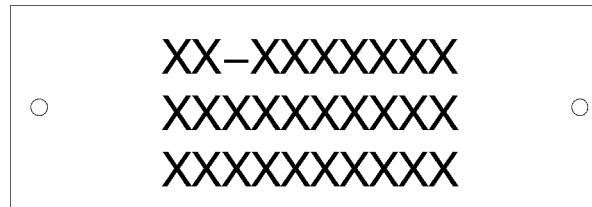
- ITEM NOT ILLUSTRATED

CESSNA®  
**MODEL 525 (SERIALS -0685 AND -0800 AND ON)**  
ILLUSTRATED PARTS CATALOG

A96706



**DETAIL A**



1

**DETAIL B**

6310T1168  
A659T0008

BRITISH INTERIOR PLACARDS AND MARKINGS - CABIN DOOR  
FIGURE 01 (SHEET 1)

CESSNA®  
**MODEL 525 (SERIALS -0685 AND -0800 AND ON)**  
 ILLUSTRATED PARTS CATALOG

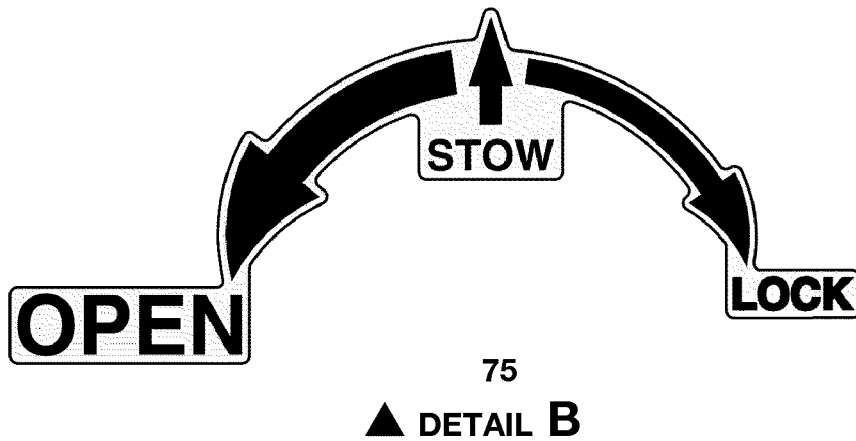
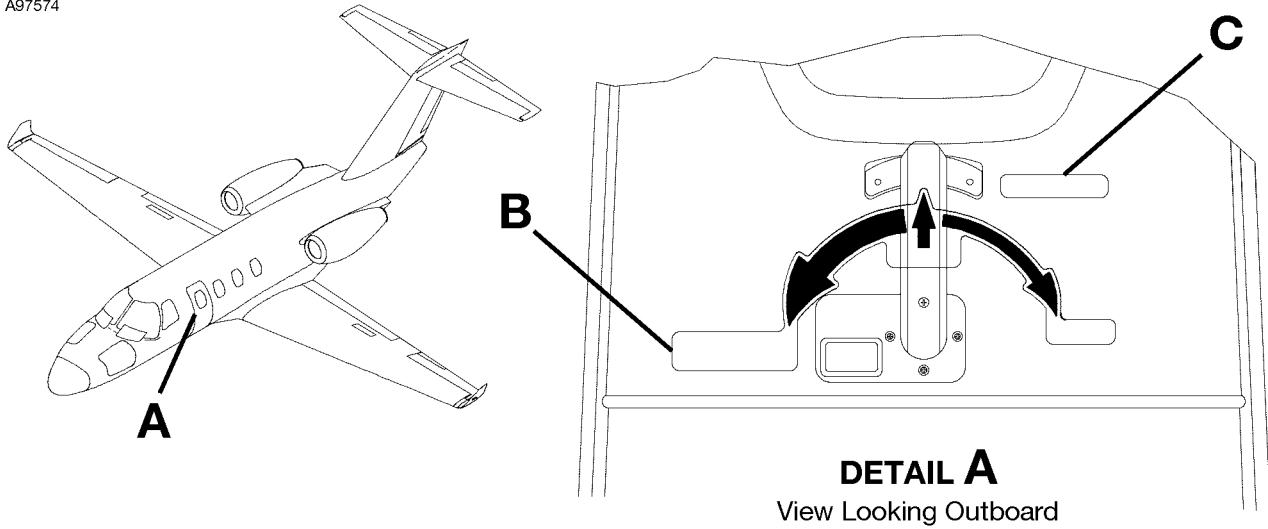
FIG ITEM	PART NUMBER	NOMENCLATURE	UNITS PER ASSY
	1 2 3 4 5 6 7		
01		BRITISH INTERIOR PLACARDS AND MARKINGS - CABIN DOOR	0851 & ON RF
-			
1	6590008-65	. CERTIFICATION PLATE REFER TO NOTE 1 . . . . .	01

NOTE 1—WHEN ORDERING THIS PART, THE OWNER MUST SEND A NOTARIZED DOCUMENT STATING THE REASON FOR ORDERING A NEW ID PLATE, THE TYPE CERTIFICATE NUMBER, THE PRODUCTION CERTIFICATE NUMBER, THE ID PLATE NUMBER, AND THE MODEL NUMBER. THE OLD ID PLATE FROM THE AIRPLANE SHOULD BE ATTACHED TO THE ORDER, IF AVAILABLE. IF NOT ATTACHED, THE NEW PLATE WILL BE STAMPED DUPLICATE.

- ITEM NOT ILLUSTRATED

CESSNA®  
MODEL 525 (SERIALS -0685 AND -0800 AND ON)  
ILLUSTRATED PARTS CATALOG

A97574



**TO RELEASE: PUSH BUTTON,  
PULL TRIGGER ON HANDLE.**

76  
▲ DETAIL C

▲ REQUIRED FOR DISPATCH

6310T1168  
A6319T1645

BRITISH INTERIOR PLACARDS AND MARKINGS - CABIN DOOR  
FIGURE 01 (SHEET 2)



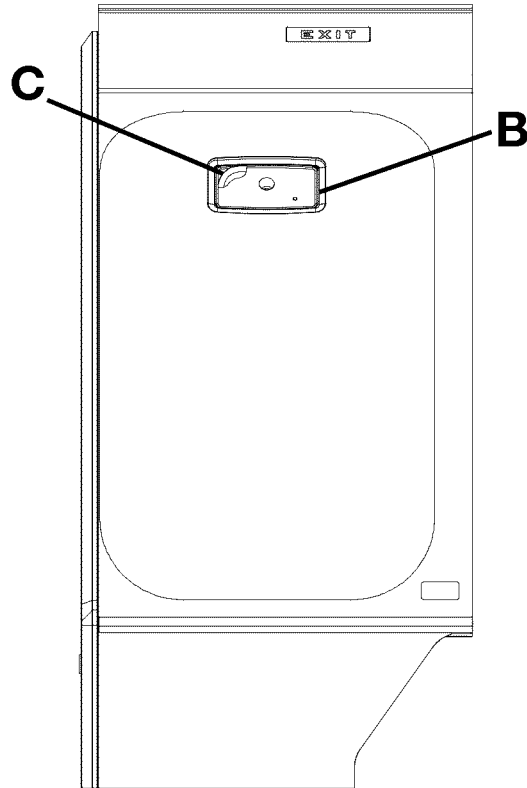
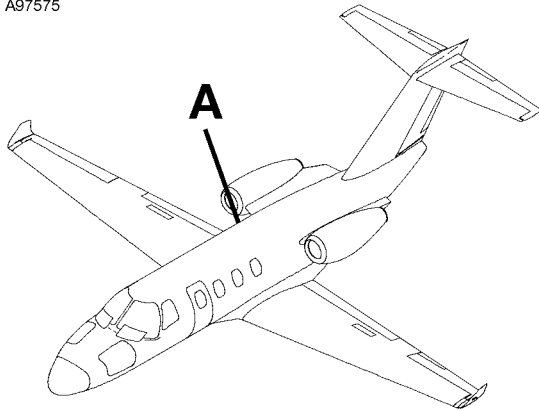
CESSNA®  
**MODEL 525 (SERIALS -0685 AND -0800 AND ON)**  
 ILLUSTRATED PARTS CATALOG

FIG ITEM	PART NUMBER	1 2 3 4 5 6 7	NOMENCLATURE	UNITS PER ASSY
01				
75	4316002-18		. DECAL-HANDLE OPERATION. . . . .	01 R
76	4316002-19		. DECAL-PUSH BUTTON . . . . .	01 R

- ITEM NOT ILLUSTRATED

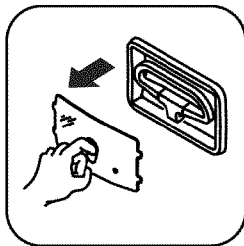
CESSNA®  
**MODEL 525 (SERIALS -0685 AND -0800 AND ON)**  
 ILLUSTRATED PARTS CATALOG

A97575



1

▲ **DETAIL E**



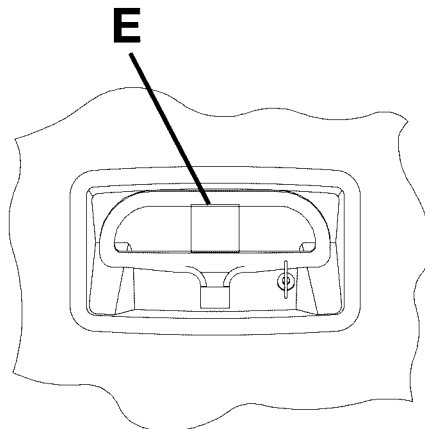
2

▲ **DETAIL D**

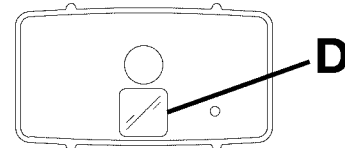
◀ **FWD**

**DETAIL A**

View Looking Outboard



**DETAIL C**



**DETAIL B**

▲ **REQUIRED FOR DISPATCH**

BRITISH INTERIOR PLACARDS AND MARKINGS - ESCAPE HATCH  
 FIGURE 02 (SHEET 1)

6310T1168  
 A6310T1180  
 B6310T1180  
 C6310T1180

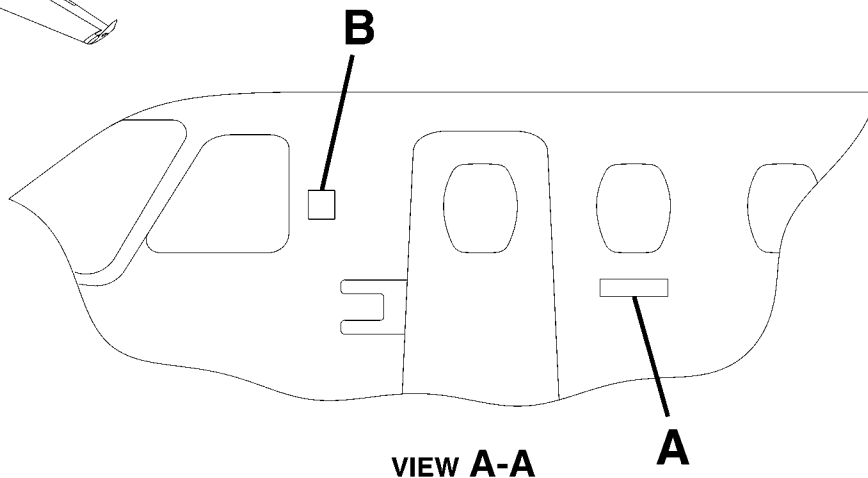
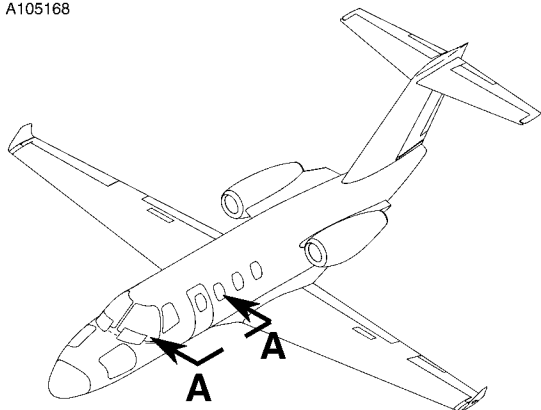
CESSNA®  
**MODEL 525 (SERIALS -0685 AND -0800 AND ON)**  
 ILLUSTRATED PARTS CATALOG

FIG ITEM	PART NUMBER	1 2 3 4 5 6 7	NOMENCLATURE	UNITS PER ASSY
02				
-			BRITISH INTERIOR PLACARDS AND MARKINGS - ESCAPE HATCH	0840 & ON RF R
1	4316002-27		. PLACARD-ESCAPE HATCH HANDLE INSTRUCTIONS . . . . .	01 R
2	4316002-26		. PLACARD-ESCAPE HATCH COVER INSTRUCTIONS . . . . .	01 R

- ITEM NOT ILLUSTRATED

CESSNA®  
MODEL 525 (SERIALS -0685 AND -0800 AND ON)  
ILLUSTRATED PARTS CATALOG

A105168



3  
DETAIL B

CITATION  
M2

1  
DETAIL A

6310T1168  
AA6314T1174

SWISS EXTERIOR PLACARDS AND MARKINGS - FUSELAGE  
FIGURE 02 (SHEET 1)

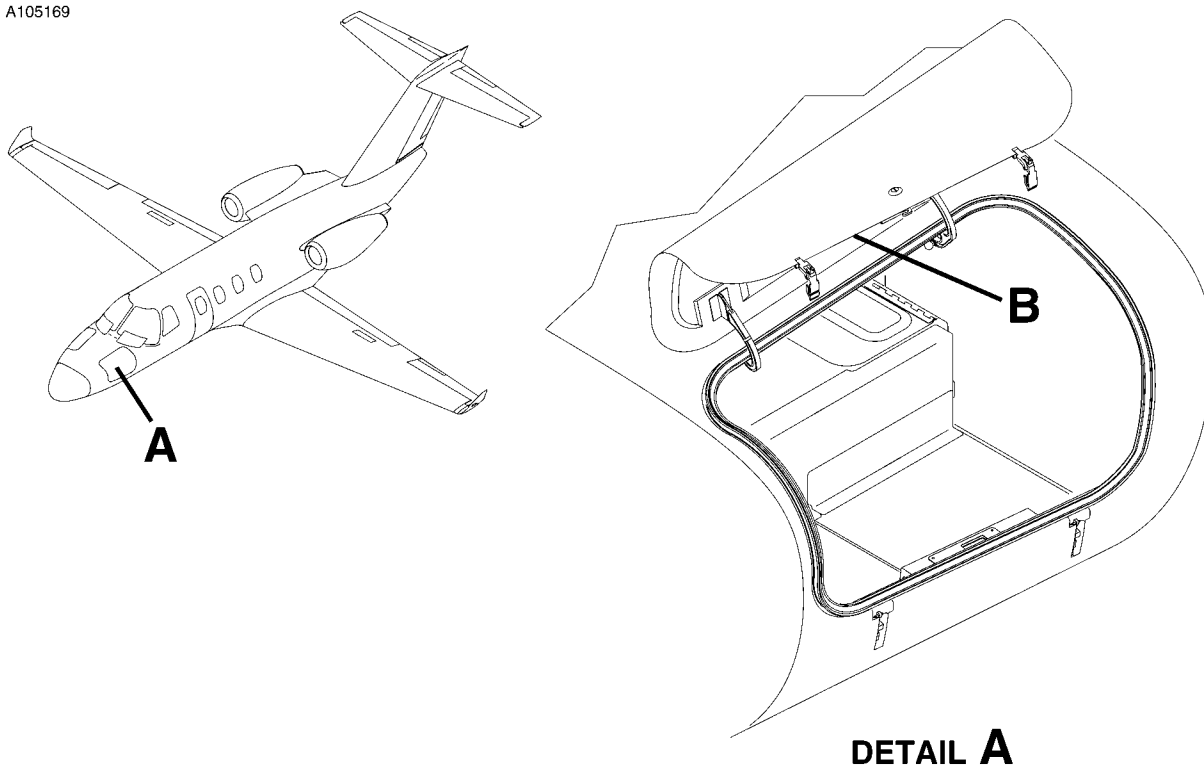
CESSNA®  
**MODEL 525 (SERIALS -0685 AND -0800 AND ON)**  
 ILLUSTRATED PARTS CATALOG

FIG ITEM	PART NUMBER	1 2 3 4 5 6 7	NOMENCLATURE	UNITS PER ASSY
02				
-			SWISS EXTERIOR PLACARDS AND MARKINGS - FUSELAGE	0979 & ON RF R
- 1	4416001-32		. DECAL-M2 INSIGNIA . . . . .	02 R
- 2	4416001-31		. PAINTMASK-M2 INSIGNIA . . . . .	01 R
- 3	6505010-124		. DECAL-CESSNA LOGO . . . . .	02 R
- 4	6505010-123		. PAINTMASK-CESSNA LOGO . . . . .	01 R

- ITEM NOT ILLUSTRATED

CESSNA®  
**MODEL 525 (SERIALS -0685 AND -0800 AND ON)**  
ILLUSTRATED PARTS CATALOG

A105169



**MAXIMUM WEIGHT ALLOWANCE  
400 LBS (181 KG).  
MAXIMUM FLOOR LOADING  
35 LBS/FT<sup>2</sup> (170 KG/M<sup>2</sup>).  
SEE AFM FOR WEIGHT  
AND BALANCE DATA.**

1

▲ **DETAIL B**

▲ Required for Dispatch

SWISS EXTERIOR PLACARDS AND MARKINGS - NOSE BAGGAGE  
FIGURE 01 (SHEET 1)

6310T1168  
A6313T1003

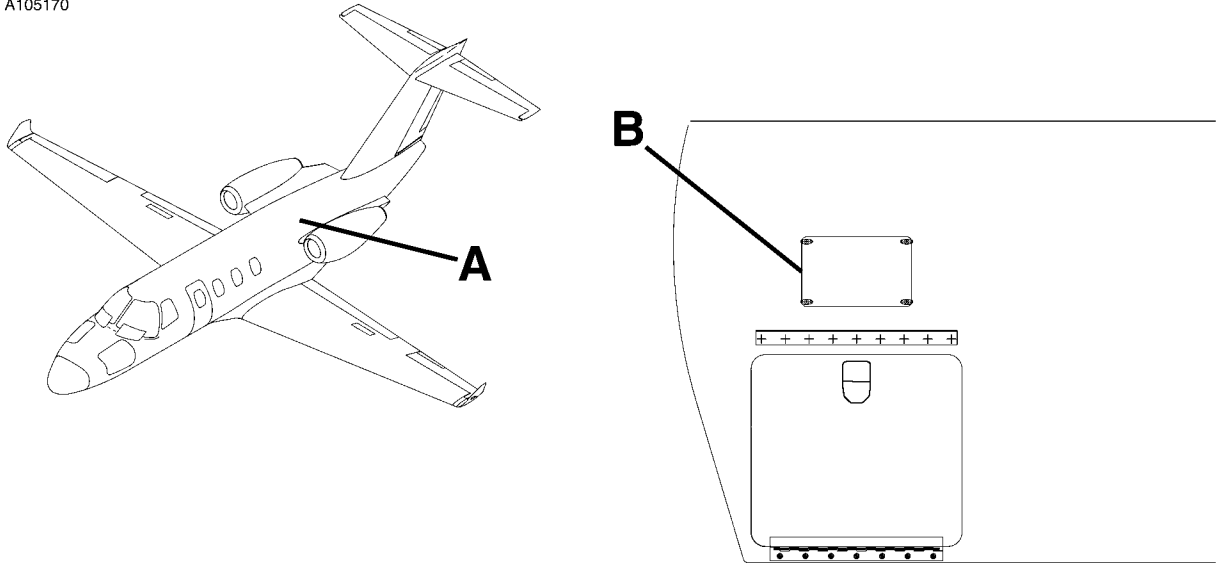
CESSNA®  
**MODEL 525 (SERIALS -0685 AND -0800 AND ON)**  
 ILLUSTRATED PARTS CATALOG

FIG ITEM	PART NUMBER	1 2 3 4 5 6 7	NOMENCLATURE	UNITS PER ASSY		
01						
-			SWISS EXTERIOR PLACARDS AND MARKINGS - NOSE BAGGAGE	0979	& ON	RF R
1	4416000-163		. PLACARD-NOSE BAGGAGE WEIGHT . . . . .			02 R

- ITEM NOT ILLUSTRATED

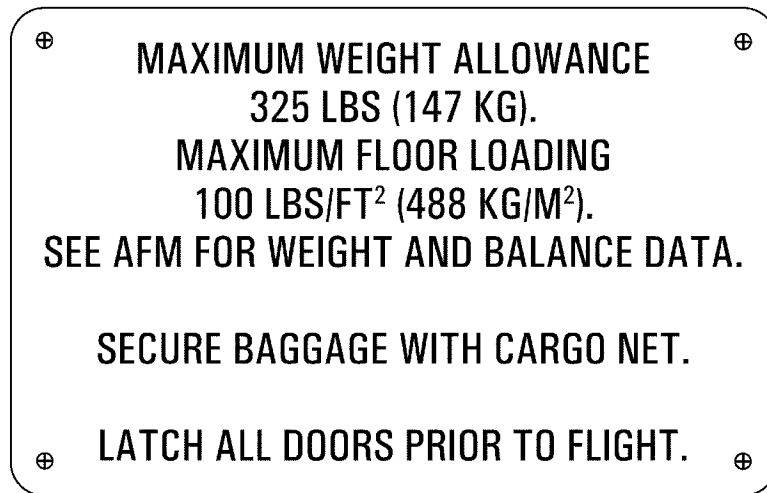
CESSNA®  
**MODEL 525 (SERIALS -0685 AND -0800 AND ON)**  
ILLUSTRATED PARTS CATALOG

A105170



**DETAIL A**

Looking Forward at Left Hand Side Forward Wall



1

▲ **DETAIL B**

▲ Required for Dispatch

6310T1168  
A6312T1220

SWISS EXTERIOR PLACARDS AND MARKINGS - AFT BAGGAGE  
FIGURE 02 (SHEET 1)



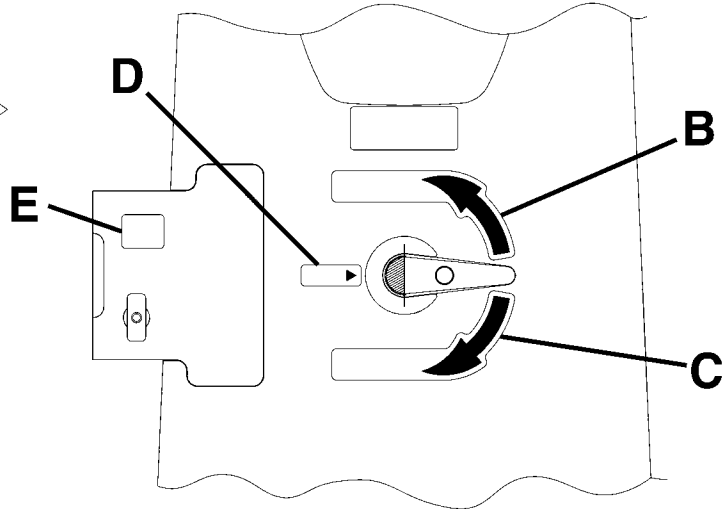
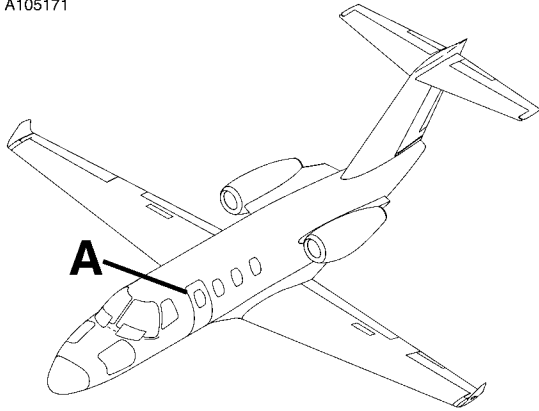
CESSNA®  
**MODEL 525 (SERIALS -0685 AND -0800 AND ON)**  
 ILLUSTRATED PARTS CATALOG

FIG ITEM	PART NUMBER	NOMENCLATURE	UNITS	
			PER	ASSY
02				
-		SWISS EXTERIOR PLACARDS AND MARKINGS - AFT BAGGAGE	0979	& ON RF R
1	4416004-58	. PLACARD-MAX BAGGAGE WEIGHT 325LB . . . . .		01 R
		ATTACHING PARTS		
- 2	MS35214-14	. SCREW . . . . .		04 R
- 3	MS21069L04	. NUTPLATE . . . . .		04 R
		—*—		

- ITEM NOT ILLUSTRATED

CESSNA®  
**MODEL 525 (SERIALS -0685 AND -0800 AND ON)**  
 ILLUSTRATED PARTS CATALOG

A105171



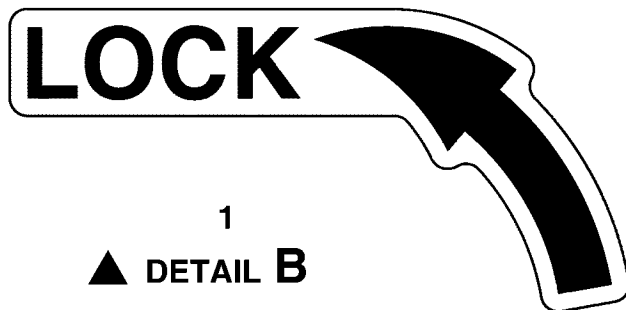
**DETAIL A**  
 (View Looking Inboard at Entry Door)

**DOOR CATCH  
 RELEASE INSIDE  
 BEHIND THIS  
 PLACARD. RAISE  
 STEPS BEFORE  
 CLOSING DOOR.**

4  
**DETAIL E**

**PUSH ▶**

3  
 ▲ **DETAIL D**



1  
 ▲ **DETAIL B**



2  
 ▲ **DETAIL C**

▲ Required for Dispatch

6310T1168  
 A6319T1646

SWISS EXTERIOR PLACARDS AND MARKINGS - CABIN DOOR  
 FIGURE 01 (SHEET 1)

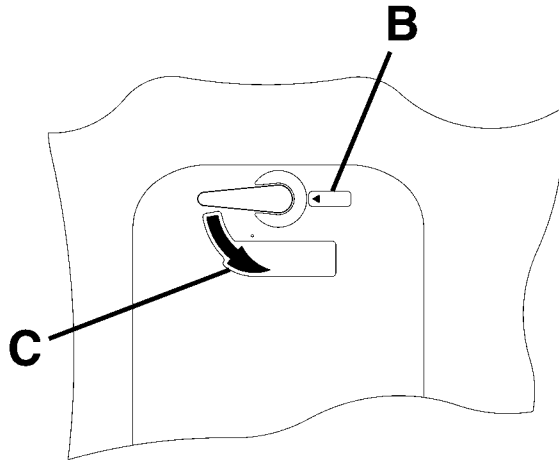
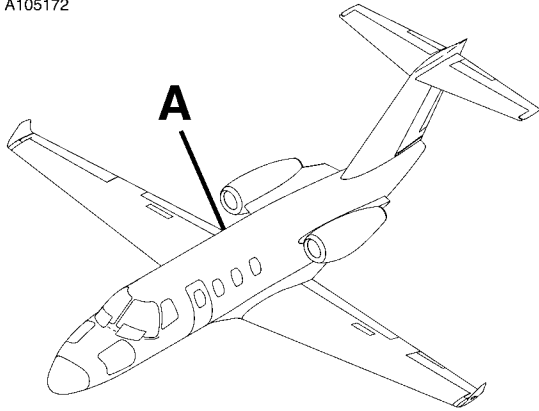
CESSNA®  
**MODEL 525 (SERIALS -0685 AND -0800 AND ON)**  
 ILLUSTRATED PARTS CATALOG

FIG ITEM	PART NUMBER	NOMENCLATURE	UNITS	
			PER	ASSY
01				
-		SWISS EXTERIOR PLACARDS AND MARKINGS - CABIN DOOR	0979	& ON RF R
1	4316002-16	. DECAL-CABIN DOOR (LOCK) . . . . .		01 R
2	4316002-17	. DECAL-CABIN DOOR (OPEN) . . . . .		01 R
3	4316002-15	. DECAL-CABIN DOOR (PUSH) . . . . .		01 R
4	4416000-172	. PHOTOPLACARD-CABIN DOOR PRECATCH HANDLE . . . . .		01 R

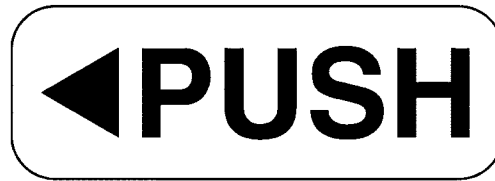
- ITEM NOT ILLUSTRATED

CESSNA®  
MODEL 525 (SERIALS -0685 AND -0800 AND ON)  
ILLUSTRATED PARTS CATALOG

A105172



**DETAIL A**  
Looking Inboard at Escape Hatch



2  
▲ **DETAIL B**



1  
▲ **DETAIL C**

▲ Required for Dispatch

6310T1168  
A4711953-2

SWISS EXTERIOR PLACARDS AND MARKINGS - ESCAPE HATCH  
FIGURE 02 (SHEET 1)

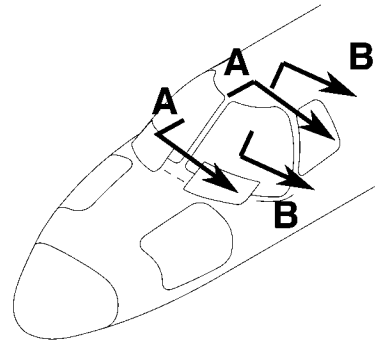
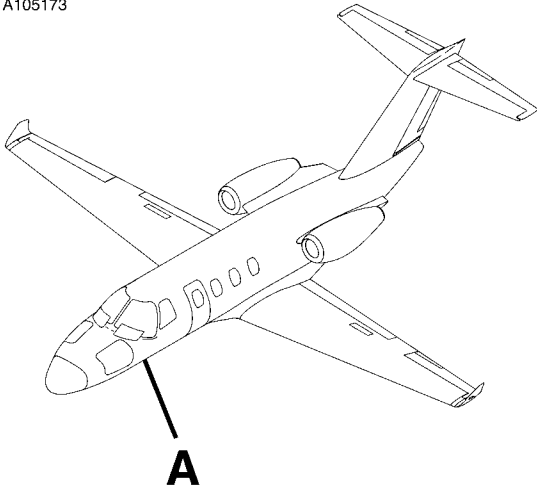
CESSNA®  
**MODEL 525 (SERIALS -0685 AND -0800 AND ON)**  
 ILLUSTRATED PARTS CATALOG

FIG ITEM	PART NUMBER	1 2 3 4 5 6 7	NOMENCLATURE	UNITS PER ASSY		
02			SWISS EXTERIOR PLACARDS AND MARKINGS - ESCAPE HATCH	0979	& ON	RF R
-						
1	4316002-1		. DECAL-EMERGENCY EXIT (OPEN) . . . . .			01 R
2	4316002-2		. DECAL-EMERGENCY EXIT (PUSH) . . . . .			01 R

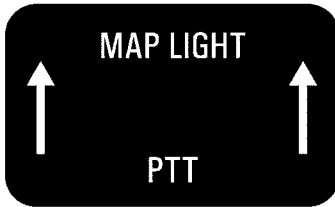
- ITEM NOT ILLUSTRATED

CESSNA®  
**MODEL 525 (SERIALS -0685 AND -0800 AND ON)**  
 ILLUSTRATED PARTS CATALOG

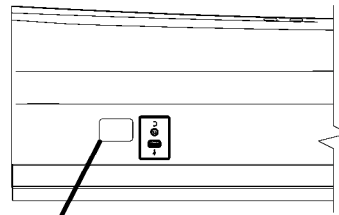
A105173



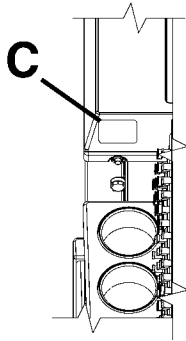
**DETAIL A**



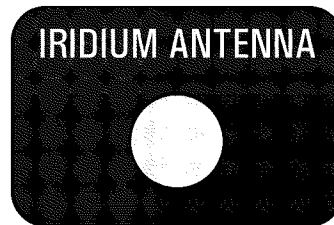
**2**  
**DETAIL C**



**B**  
**VIEW A-A**



**VIEW B-B**  
 View Looking at Left Hand Side Console



**1**  
**DETAIL B**

6310T1168  
 B6310T1168  
 AA6310T1183  
 BB6310T1184

SWISS INTERIOR PLACARDS AND MARKINGS - LH CONSOLE  
 FIGURE 04 (SHEET 1)

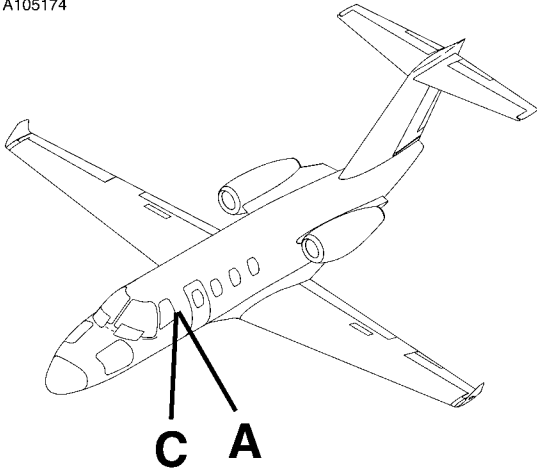
CESSNA®  
**MODEL 525 (SERIALS -0685 AND -0800 AND ON)**  
 ILLUSTRATED PARTS CATALOG

FIG ITEM	PART NUMBER	1 2 3 4 5 6 7	NOMENCLATURE	UNITS PER ASSY		
04			SWISS INTERIOR PLACARDS AND MARKINGS - LH CONSOLE	0979	& ON	RF R
-						
1	4316002-35		. PLACARD-IRIDIUM ANTENNA . . . . .			01 R
2	4316002-38		. PLACARD-MAP LIGHT . . . . .			02 R

- ITEM NOT ILLUSTRATED

CESSNA®  
**MODEL 525 (SERIALS -0685 AND -0800 AND ON)**  
 ILLUSTRATED PARTS CATALOG

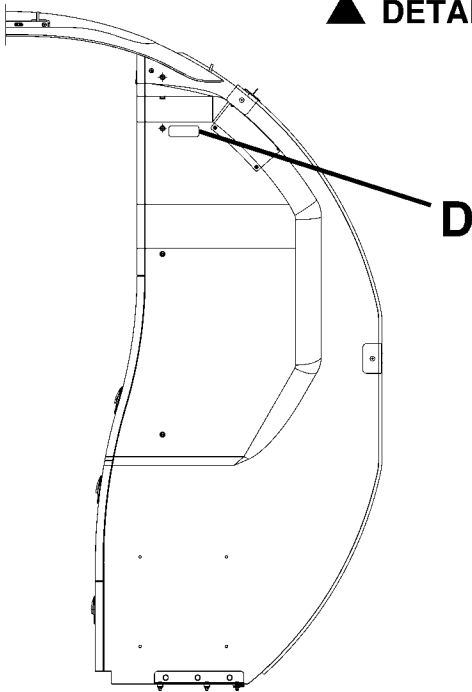
A105174



STOW CURTAIN FOR  
 TAXI, TAKEOFF, AND LANDING.

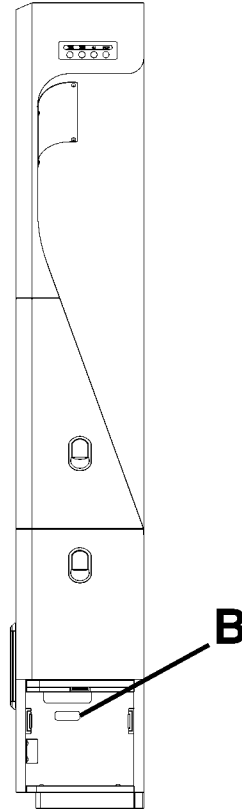
2

▲ **DETAIL D**



**DETAIL C**

Looking Aft at Left Hand Cabinet Assembly



**DETAIL A**

**CABIN BRIEFER  
 PROGRAM LOAD PORT**

1

**DETAIL B**

▲ Required for Dispatch

6310T1168  
 A471T1953  
 C471T1953

SWISS INTERIOR PLACARDS AND MARKINGS - FLIGHT COMPARTMENT  
 FIGURE 05 (SHEET 1)



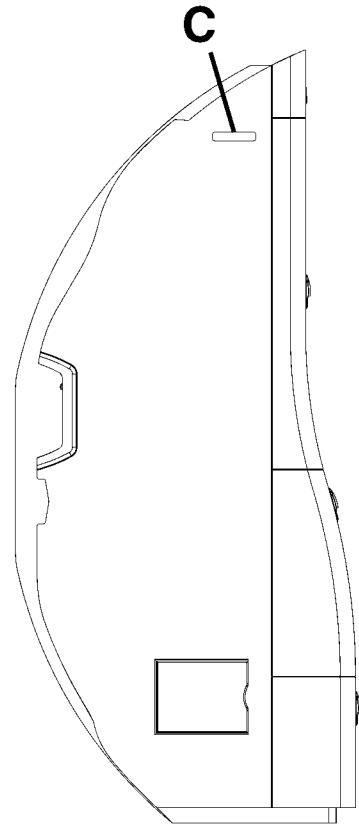
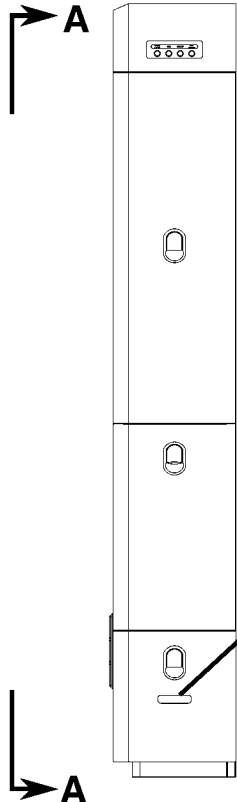
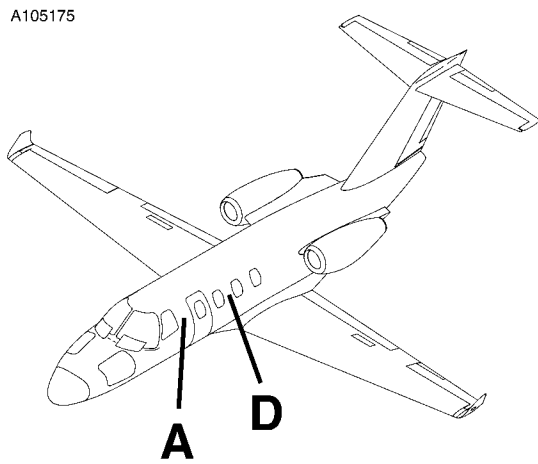
CESSNA®  
**MODEL 525 (SERIALS -0685 AND -0800 AND ON)**  
 ILLUSTRATED PARTS CATALOG

FIG ITEM	PART NUMBER	NOMENCLATURE	UNITS PER ASSY	
			1 2 3 4 5 6 7	
05				
-		SWISS INTERIOR PLACARDS AND MARKINGS - FLIGHT COMPARTMENT	0979	& ON RF R
1	4316002-40	. PLACARD-CABIN BRIEFER PORT . . . . .		01 R
2	4316002-8	. PLACARD-CURTAIN STOWAGE . . . . .		01 R

- ITEM NOT ILLUSTRATED

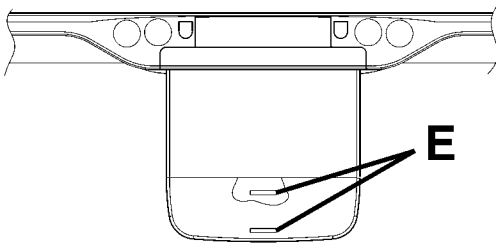
CESSNA®  
**MODEL 525 (SERIALS -0685 AND -0800 AND ON)**  
 ILLUSTRATED PARTS CATALOG

A105175



**STOW FOR TAXI, TAKEOFF, AND LANDING.**

**3**  
 ▲ **DETAIL E**



**DETAIL D**

Looking Down on Right Hand Side Deployed Table,  
 Left Hand Side Opposite

**DETAIL A**

**VIEW A-A**

**CLOSE ALL CABINET DOORS AND DRAWERS  
 FOR TAXI, TAKEOFF, AND LANDING.**

**2**  
 ▲ **DETAIL C**

**NO CIGARETTE DISPOSAL;  
 METAL TRASH LINER REQUIRED.**

**1**  
 ▲ **DETAIL B**

▲ Required for Dispatch

6310T1168  
 A6320T1021  
 AA6320T1021  
 D6320T1021

SWISS INTERIOR PLACARDS AND MARKINGS - FORWARD CABIN  
 FIGURE 01 (SHEET 1)

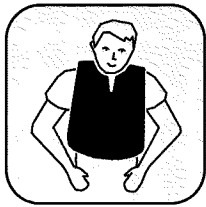
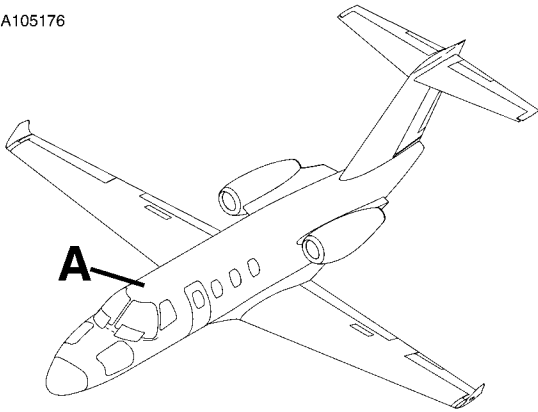
CESSNA®  
**MODEL 525 (SERIALS -0685 AND -0800 AND ON)**  
 ILLUSTRATED PARTS CATALOG

FIG ITEM	PART NUMBER	1 2 3 4 5 6 7	NOMENCLATURE	UNITS PER ASSY
01				
-			SWISS INTERIOR PLACARDS AND MARKINGS - FORWARD CABIN	0979 & ON RF R
1	4316002-20		. PLACARD-TRASH CONTAINER . . . . .	01 R
2	4316002-23		. PLACARD-CABINET DOOR INSTRUCTIONS . . . . .	01 R
3	4316002-200		. PLACARD-TABLE INSTRUCTIONS . . . . .	04 R

- ITEM NOT ILLUSTRATED

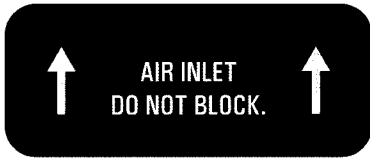
CESSNA®  
**MODEL 525 (SERIALS -0685 AND -0800 AND ON)**  
 ILLUSTRATED PARTS CATALOG

A105176



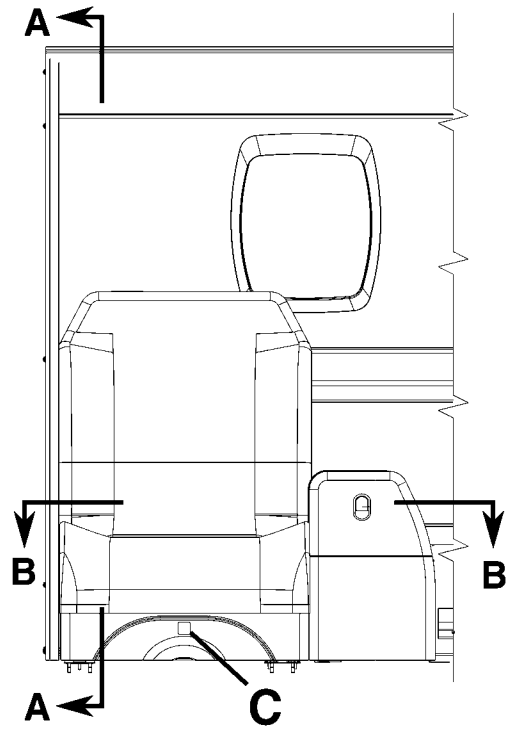
78

▲ **DETAIL C**



76

▲ **DETAIL D**



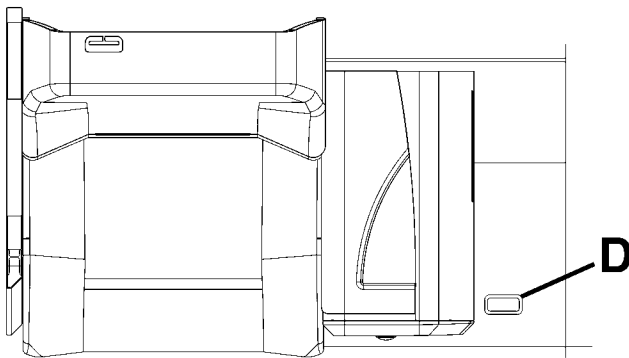
**DETAIL A**

Looking Outboard at Side Facing Seat

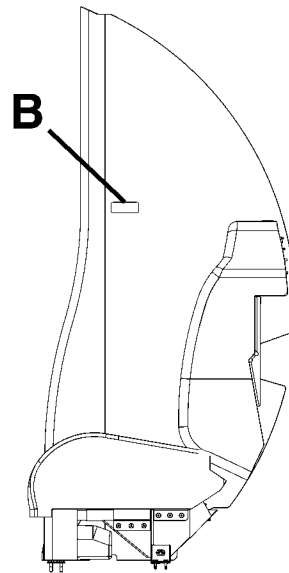


75

▲ **DETAIL B**



**VIEW B-B**



**VIEW A-A**

▲ Required for Dispatch

SWISS INTERIOR PLACARDS AND MARKINGS - FORWARD CABIN  
 FIGURE 01 (SHEET 2)

6310T1168  
 A6320T1021  
 AA6320T1021  
 BB6320T1021

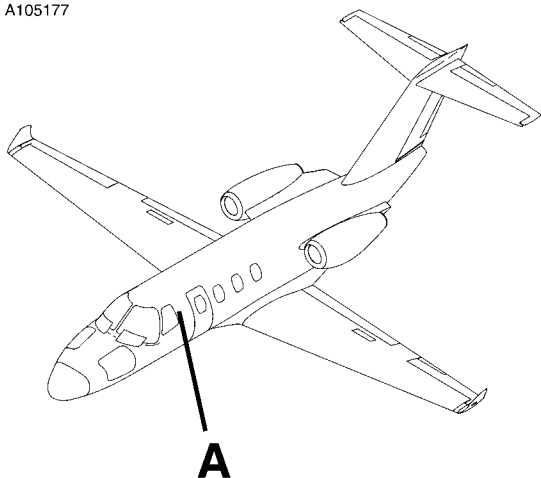
CESSNA®  
**MODEL 525 (SERIALS -0685 AND -0800 AND ON)**  
 ILLUSTRATED PARTS CATALOG

FIG ITEM	PART NUMBER	NOMENCLATURE	UNITS PER ASSY		
			1	2	3
01					
75	4316002-21	. PLACARD-SIDE FACING SEAT W/O ARMREST INSTRUCTIONS . . . . .	0979	& ON	01 R
76	4316002-24	. PLACARD-AIR INLET . . . . .	0979	& ON	01 R
- 77	4717018-3	. PLACARD-COVER . . . . .	0979	& ON	01 R
78	4316002-32	. PLACARD-LIFE VEST . . . . .	0979	& ON	01 R

- ITEM NOT ILLUSTRATED

CESSNA®  
MODEL 525 (SERIALS -0685 AND -0800 AND ON)  
ILLUSTRATED PARTS CATALOG

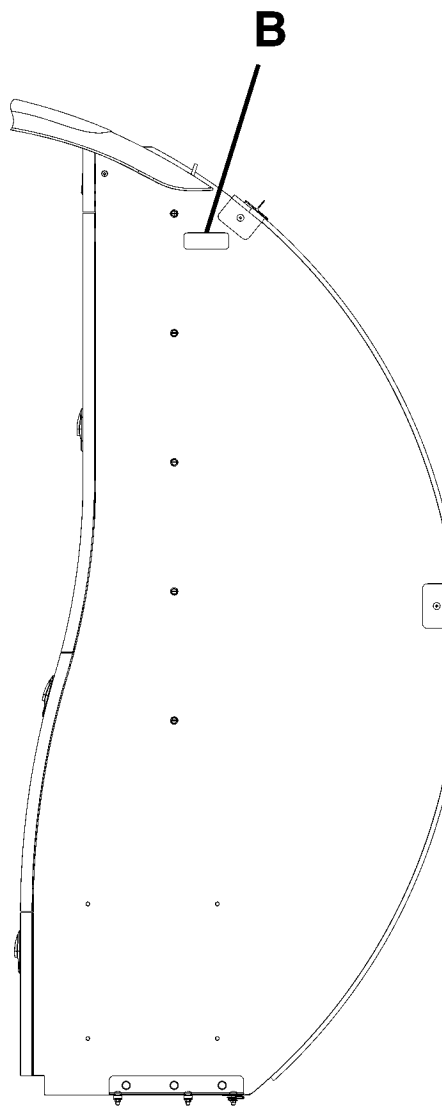
A105177



STOW CURTAIN FOR  
TAXI, TAKEOFF, AND LANDING.

150

▲ **DETAIL B**



**DETAIL A**

View Looking Aft at Left Hand Side  
Forward Refreshment Center

▲ Required for Dispatch

6310T1168  
A4711953-25

SWISS INTERIOR PLACARDS AND MARKINGS - FORWARD CABIN  
FIGURE 01 (SHEET 3)

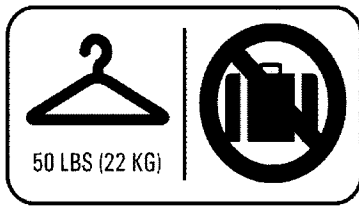
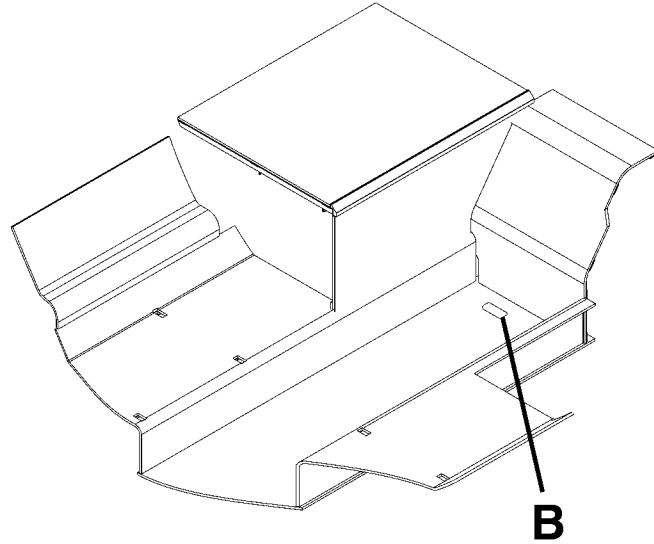
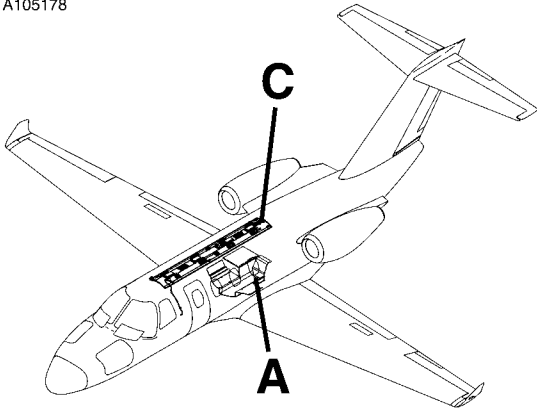
CESSNA®  
**MODEL 525 (SERIALS -0685 AND -0800 AND ON)**  
 ILLUSTRATED PARTS CATALOG

FIG ITEM	PART NUMBER	1 2 3 4 5 6 7	NOMENCLATURE	UNITS PER ASSY	
01 150	4316002-8		. PLACARD-CURTAIN INSTRUCTIONS . . . . .	0979	& ON 01 R

- ITEM NOT ILLUSTRATED

CESSNA®  
**MODEL 525 (SERIALS -0685 AND -0800 AND ON)**  
 ILLUSTRATED PARTS CATALOG

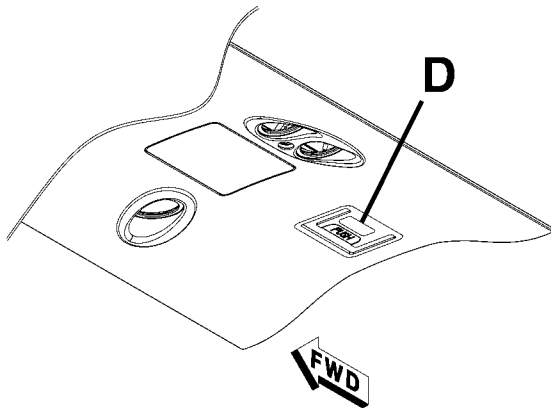
A105178



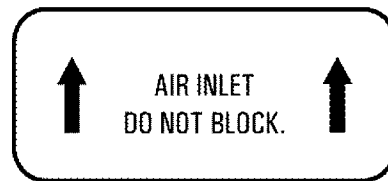
3

▲ **DETAIL D**

**DETAIL A**



**DETAIL C**



1

**DETAIL B**

▲ Required for Dispatch

SWISS INTERIOR PLACARDS AND MARKINGS - AFT CABIN  
 FIGURE 02 (SHEET 1)

6310T1168  
 A6312T1217  
 C6312T1218



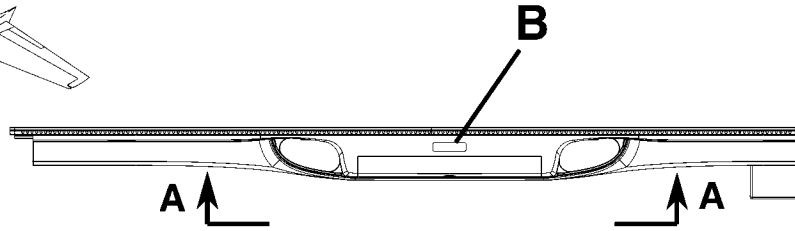
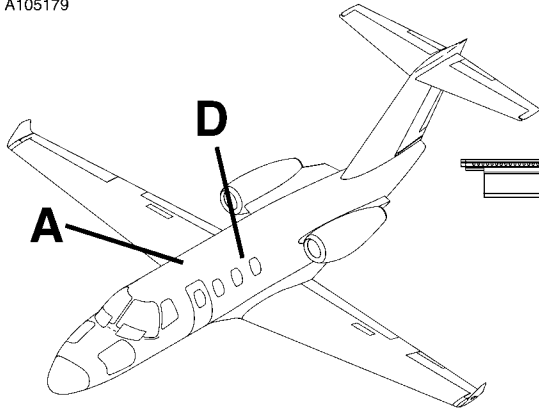
CESSNA®  
**MODEL 525 (SERIALS -0685 AND -0800 AND ON)**  
 ILLUSTRATED PARTS CATALOG

FIG ITEM	PART NUMBER	1 2 3 4 5 6 7	NOMENCLATURE	UNITS PER ASSY
02				
-			SWISS INTERIOR PLACARDS AND MARKINGS - AFT CABIN	0979 & ON RF R
1	4316002-24		. PLACARD-AIR INLET . . . . .	01 R
2	4717018-3		. PLACARD-COVER . . . . .	01 R
3	4316002-34		. PLACARD-COAT ROD . . . . .	01 R

- ITEM NOT ILLUSTRATED

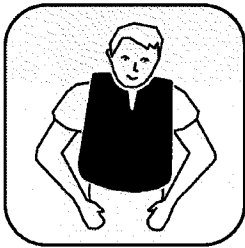
CESSNA®  
**MODEL 525 (SERIALS -0685 AND -0800 AND ON)**  
 ILLUSTRATED PARTS CATALOG

A105179



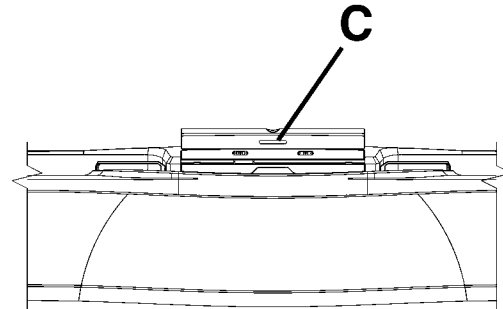
**DETAIL A**

Looking Down on Right Hand Sideledge



3

▲ **DETAIL E**



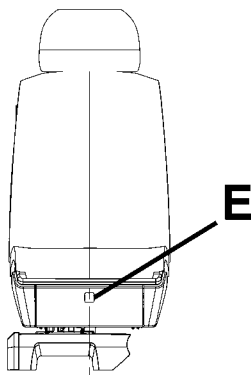
**VIEW A-A**

Table Lid Shown in Upright Position

**FOR TAXI, TAKEOFF, AND LANDING: RAISE SEAT BACK;  
 EXTEND HEADREST; TRACK SEAT AWAY FROM  
 TABLE THEN OUTBOARD; FASTEN SHOULDER HARNESS.  
 LIFE VEST IN SEAT BASE.**

1

▲ **DETAIL B**



**DETAIL D**

**CLOSE LID FOR TAXI, TAKEOFF, AND LANDING.**

2

▲ **DETAIL C**

▲ Required for Dispatch

6310T1168  
 A6319T1647  
 AA6319T1647  
 D6319T1648

SWISS INTERIOR PLACARDS AND MARKINGS - CABIN SEATS  
 FIGURE 04 (SHEET 1)

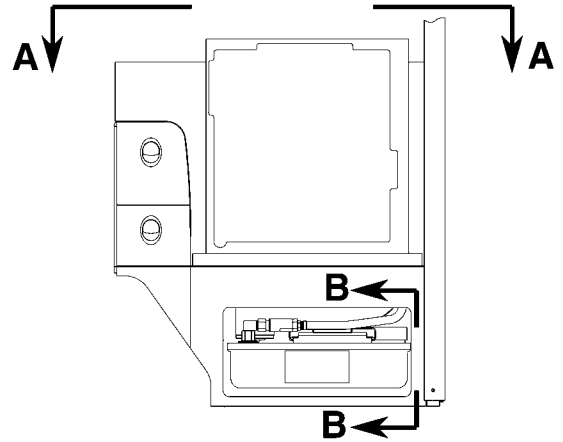
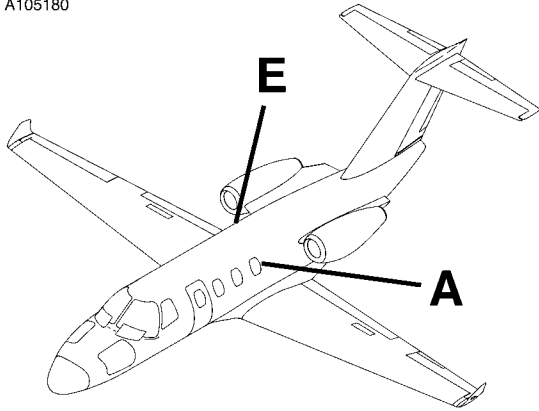
CESSNA®  
**MODEL 525 (SERIALS -0685 AND -0800 AND ON)**  
 ILLUSTRATED PARTS CATALOG

FIG ITEM	PART NUMBER	1 2 3 4 5 6 7	NOMENCLATURE	UNITS PER ASSY
04				
-			SWISS INTERIOR PLACARDS AND MARKINGS - CABIN SEATS	0979 & ON RF R
1	4316002-47		. PLACARD-SEAT INSTRUCTIONS . . . . .	02 R
2	4316002-28		. PLACARD-TABLE LID INSTRUCTIONS . . . . .	02 R
3	4316002-32		. PLACARD-LIFEVEST . . . . .	04 R

- ITEM NOT ILLUSTRATED

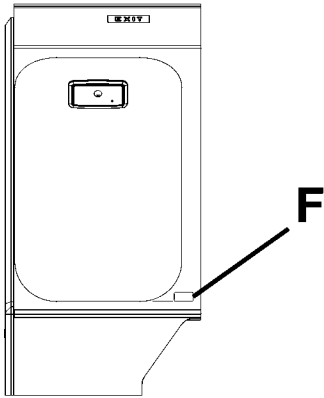
CESSNA®  
**MODEL 525 (SERIALS -0685 AND -0800 AND ON)**  
 ILLUSTRATED PARTS CATALOG

A105180



**DETAIL A**

View Looking Outboard

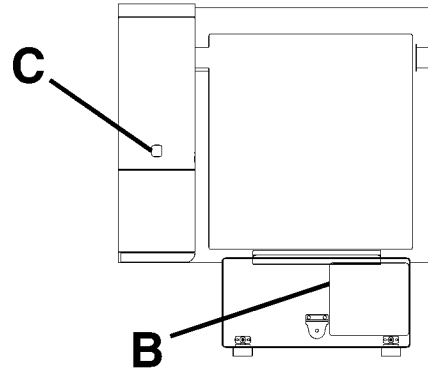


4

▲ **DETAIL F**

**DETAIL E**

View Looking Outboard

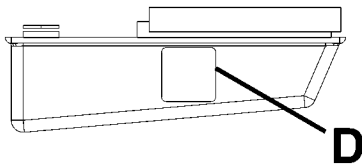


**VIEW A-A**

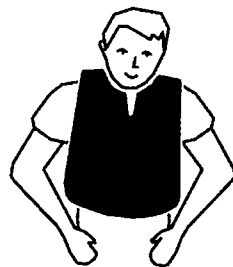
TOILET CHEMICAL  
 IS CORROSIVE.  
 USE EXTREME CARE  
 TO PREVENT SPILLAGE.  
 FOLLOW SERVICING  
 INSTRUCTIONS CAREFULLY.  
 CLEAN ANY SPILLAGE  
 IMMEDIATELY AND  
 REPORT IT TO THE CREW.

1

**DETAIL D**

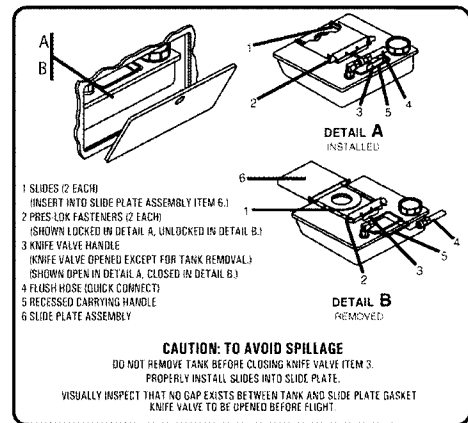


**VIEW B-B**



3

▲ **DETAIL C**



2

**DETAIL B**

▲ Required for Dispatch

SWISS INTERIOR PLACARDS AND MARKINGS - LAVATORY  
 FIGURE 01 (SHEET 1)

6310T1168  
 A6319T1360  
 AA6319T1361  
 BB6319T1360  
 E6314T1662

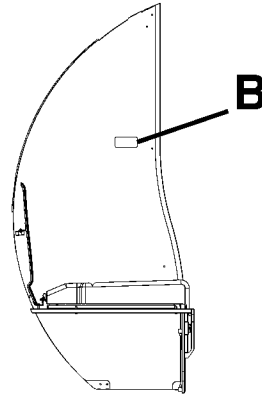
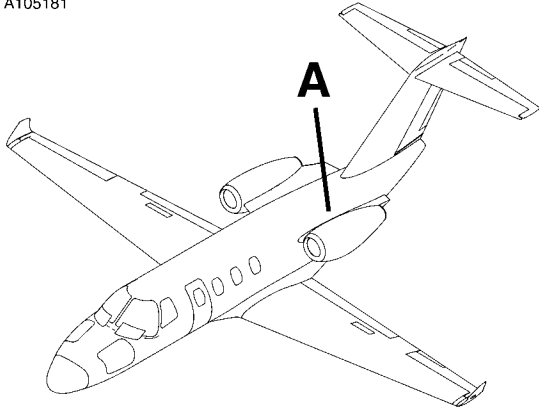
CESSNA®  
**MODEL 525 (SERIALS -0685 AND -0800 AND ON)**  
 ILLUSTRATED PARTS CATALOG

FIG ITEM	PART NUMBER	NOMENCLATURE	UNITS	
			PER	ASSY
01				
-		SWISS INTERIOR PLACARDS AND MARKINGS - LAVATORY	0979	& ON RF R
1	4316002-30	. PLACARD-TOILET CARE . . . . .		01 R
2	4316002-36	. PLACARD-TOILET SERVICING . . . . .		01 R
3	4316002-32	. PLACARD-LIFEVEST . . . . .		01 R
4	4316002-33	. PLACARD-NO SMOKING . . . . .		01 R

- ITEM NOT ILLUSTRATED

CESSNA®  
**MODEL 525 (SERIALS -0685 AND -0800 AND ON)**  
ILLUSTRATED PARTS CATALOG

A105181



**DETAIL A**

View Looking Forward at Left Hand Side  
Toilet Assembly and Left Hand Side Aft Divider

FOR TAXI, TAKEOFF, AND LANDING:  
LATCH SLIDING DOOR OPEN;  
CLOSE ALL CABINET DOORS AND DRAWERS;  
FASTEN SHOULDER HARNESS.  
  
LIFE VEST IN SEAT CABINET.

75

▲ **DETAIL B**

▲ Required for Dispatch

6310T1168  
A6319T1650

SWISS INTERIOR PLACARDS AND MARKINGS - LAVATORY  
FIGURE 01 (SHEET 2)

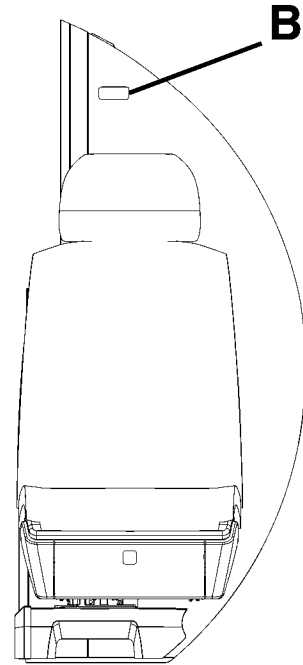
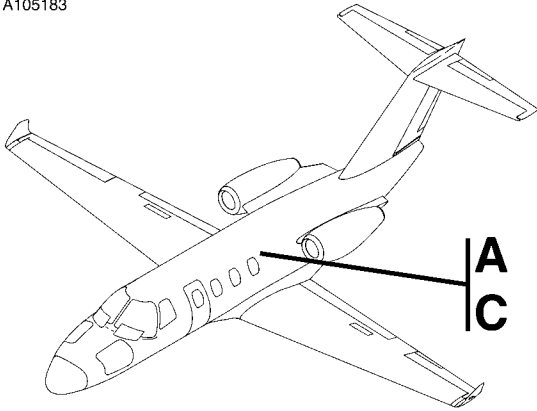
CESSNA®  
**MODEL 525 (SERIALS -0685 AND -0800 AND ON)**  
 ILLUSTRATED PARTS CATALOG

FIG ITEM	PART NUMBER	1 2 3 4 5 6 7	NOMENCLATURE	UNITS PER ASSY		
01 75	4316002-42		. PLACARD-LH BELTED TOILET INSTRUCTIONS (DOOR) . . . . .	0979	& ON	01 R

- ITEM NOT ILLUSTRATED

CESSNA®  
**MODEL 525 (SERIALS -0685 AND -0800 AND ON)**  
 ILLUSTRATED PARTS CATALOG

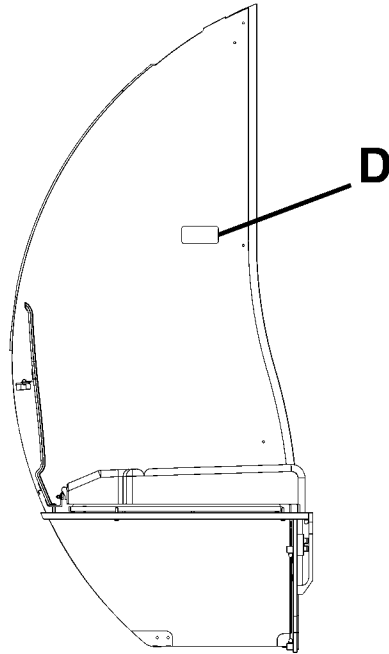
A105183



**FOR TAXI, TAKEOFF, AND LANDING:  
 STOW CURTAIN;  
 CLOSE ALL CABINET DOORS AND DRAWERS;  
 FASTEN SHOULDER HARNESS.  
 LIFE VEST IN SEAT CABINET.**

**3**  
 ▲ **DETAIL D**

**DETAIL A**  
 Looking Aft



**NO SMOKING IN LAVATORY.  
 STOW CURTAIN  
 FOR TAXI, TAKEOFF, AND LANDING.**

**1**  
 ▲ **DETAIL B**

**NO SMOKING IN LAVATORY.  
 LATCH SLIDING DOOR OPEN  
 FOR TAXI, TAKEOFF, AND LANDING.**

**2**  
 ▲ **DETAIL B**

▲ Required for Dispatch

**DETAIL C**  
 Looking Forward

6310T1168  
 A6319T1649  
 C6319T1650

**SWISS INTERIOR PLACARDS AND MARKINGS - DIVIDERS**  
**FIGURE 02 (SHEET 1)**



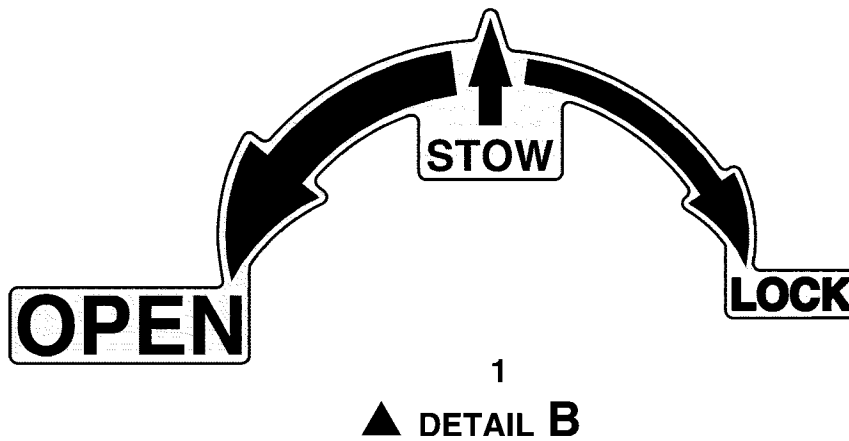
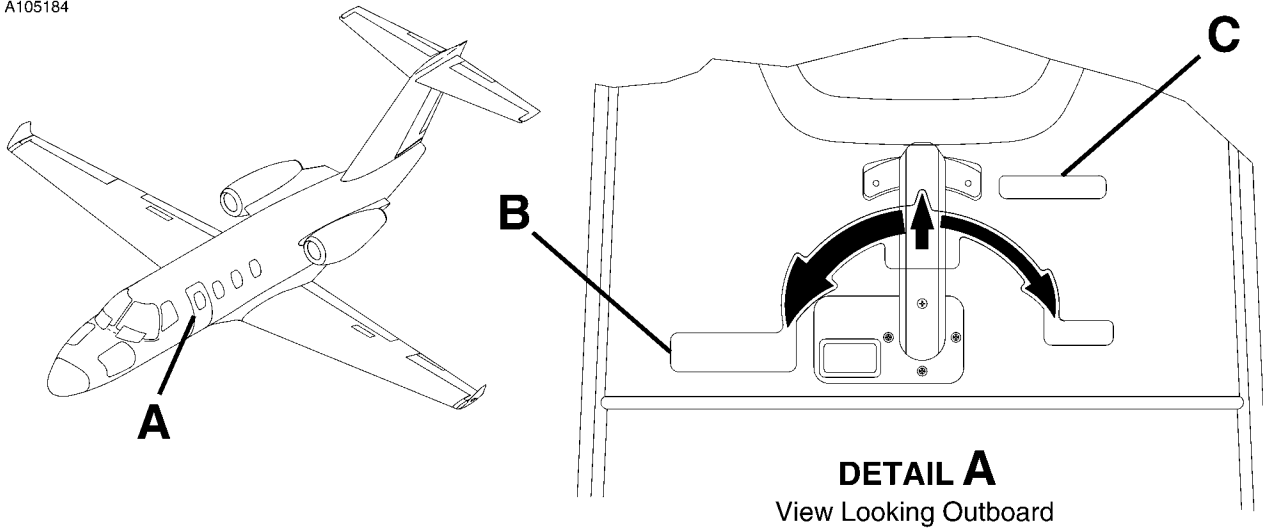
CESSNA®  
**MODEL 525 (SERIALS -0685 AND -0800 AND ON)**  
 ILLUSTRATED PARTS CATALOG

FIG ITEM	PART NUMBER	NOMENCLATURE	UNITS PER ASSY		
			1	2	3
02					
-		SWISS INTERIOR PLACARDS AND MARKINGS - DIVIDERS	0979	& ON	RF R
1	4316002-25	. PLACARD-AFT CABIN INSTRUCTIONS . . . . .			01 R
2	4316002-41	. PLACARD-AFT CABIN INSTRUCTIONS (DOOR) . . . . .			01 R
3	4316002-29	. PLACARD-LH BELTED TOILET (CURTAIN) . . . . .			01 R

- ITEM NOT ILLUSTRATED

CESSNA®  
MODEL 525 (SERIALS -0685 AND -0800 AND ON)  
ILLUSTRATED PARTS CATALOG

A105184



**TO RELEASE: PUSH BUTTON,  
PULL TRIGGER ON HANDLE.**

2  
▲ DETAIL C

▲ Required for Dispatch

6310T1168  
A6319T1645

SWISS INTERIOR PLACARDS AND MARKINGS - CABIN DOOR  
FIGURE 01 (SHEET 1)

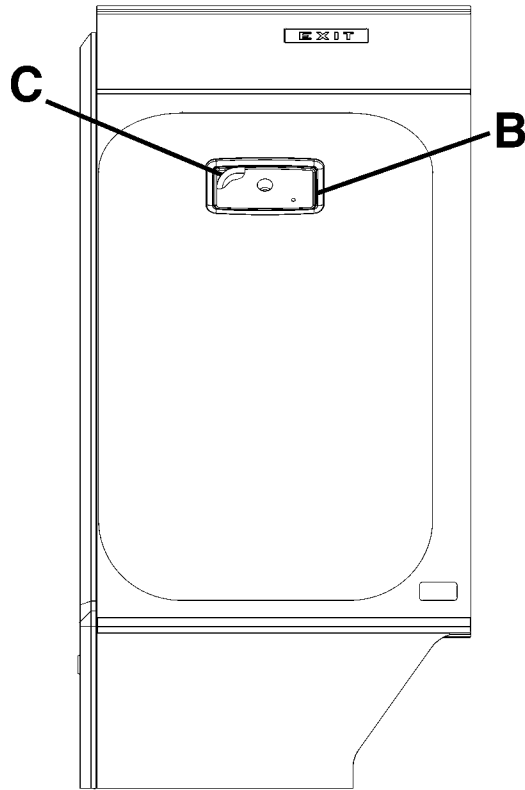
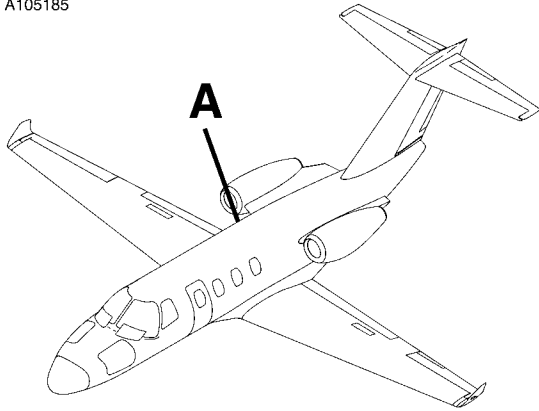
CESSNA®  
**MODEL 525 (SERIALS -0685 AND -0800 AND ON)**  
 ILLUSTRATED PARTS CATALOG

FIG ITEM	PART NUMBER	NOMENCLATURE	UNITS PER ASSY	
			1 2 3 4 5 6 7	
01				
-		SWISS INTERIOR PLACARDS AND MARKINGS - CABIN DOOR	0979	& ON RF R
1	4316002-18	. DECAL-CABIN DOOR INSTRUCTIONS . . . . .		01 R
2	4316002-19	. DECAL-CABIN DOOR HANDLE INSTRUCTIONS . . . . .		01 R

- ITEM NOT ILLUSTRATED

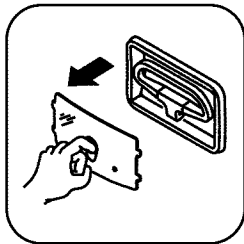
CESSNA®  
**MODEL 525 (SERIALS -0685 AND -0800 AND ON)**  
 ILLUSTRATED PARTS CATALOG

A105185



1

▲ **DETAIL E**



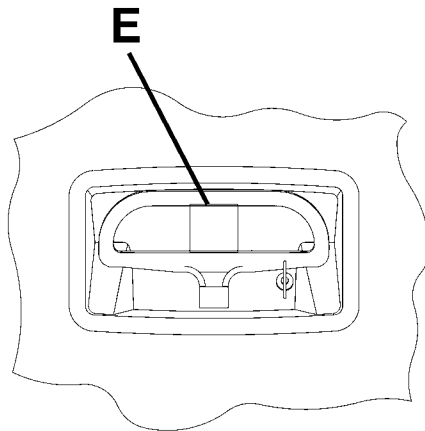
2

▲ **DETAIL D**

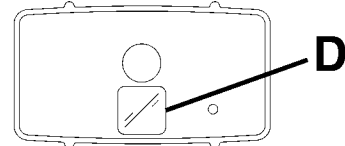
◀ **FWD**

**DETAIL A**

View Looking Outboard



**DETAIL C**



**DETAIL B**

▲ Required for Dispatch

SWISS INTERIOR PLACARDS AND MARKINGS - ESCAPE HATCH  
 FIGURE 02 (SHEET 1)

6310T1168  
 A6310T1180  
 B6310T1180  
 C6310T1180

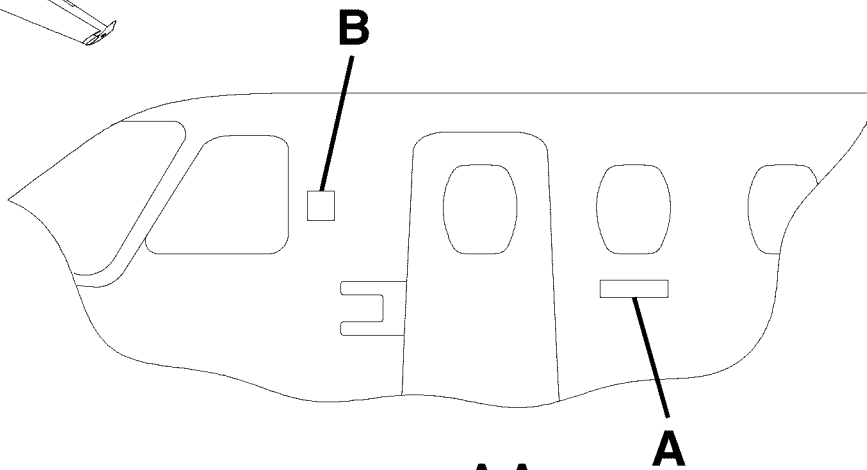
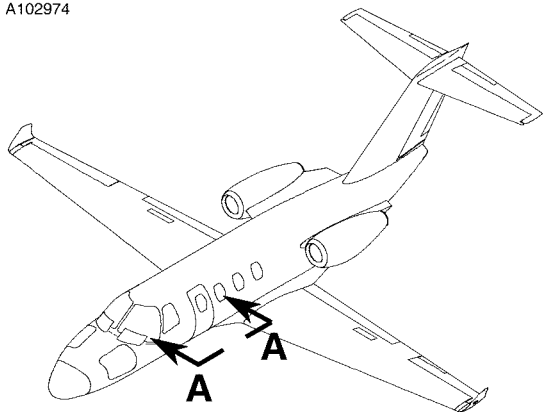
CESSNA®  
**MODEL 525 (SERIALS -0685 AND -0800 AND ON)**  
 ILLUSTRATED PARTS CATALOG

FIG ITEM	PART NUMBER	1 2 3 4 5 6 7	NOMENCLATURE	UNITS PER ASSY		
02						
-			SWISS INTERIOR PLACARDS AND MARKINGS - ESCAPE HATCH	0979	& ON	RF R
1	4316002-27		. PLACARD-ESCAPE HATCH HANDLE INSTRUCTIONS . . . . .			01 R
2	4316002-26		. PLACARD-ESCAPE HATCH COVER INSTRUCTIONS . . . . .			01 R

- ITEM NOT ILLUSTRATED

CESSNA®  
MODEL 525 (SERIALS -0685 AND -0800 AND ON)  
ILLUSTRATED PARTS CATALOG

A102974



3  
DETAIL B

CITATION  
M2

1  
DETAIL A

REPUBLIC OF KOREA EXTERIOR PLACARDS AND MARKINGS - FUSELAGE  
FIGURE 02 (SHEET 1)

6310T1168  
AA6314T1174

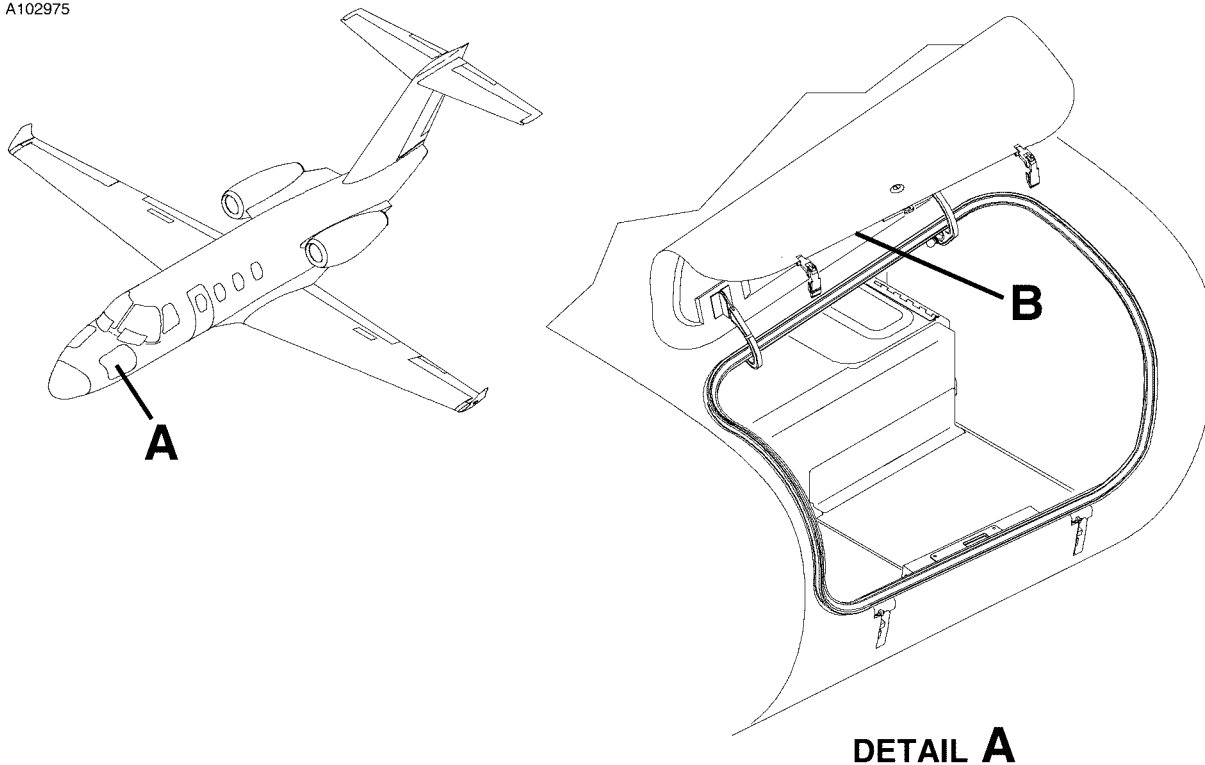
CESSNA®  
**MODEL 525 (SERIALS -0685 AND -0800 AND ON)**  
 ILLUSTRATED PARTS CATALOG

FIG ITEM	PART NUMBER	1 2 3 4 5 6 7	NOMENCLATURE	UNITS PER ASSY
02				
-			REPUBLIC OF KOREA EXTERIOR PLACARDS AND MARKINGS - FUSELAGE	0940 & ON RF R
- 1	4416001-32		. DECAL-M2 INSIGNIA . . . . .	02 R
- 2	4416001-31		. PAINTMASK-M2 INSIGNIA . . . . .	01 R
- 3	6505010-124		. DECAL-CESSNA LOGO . . . . .	02 R
- 4	6505010-123		. PAINTMASK-CESSNA LOGO . . . . .	01 R

- ITEM NOT ILLUSTRATED

CESSNA®  
MODEL 525 (SERIALS -0685 AND -0800 AND ON)  
ILLUSTRATED PARTS CATALOG

A102975



MAXIMUM WEIGHT ALLOWANCE  
400 LBS (181 KG).  
MAXIMUM FLOOR LOADING  
35 LBS/FT<sup>2</sup> (170 KG/M<sup>2</sup>).  
SEE AFM FOR WEIGHT  
AND BALANCE DATA.

1

▲ DETAIL B

▲ Required for Dispatch

REPUBLIC OF KOREA EXTERIOR PLACARDS AND MARKINGS - NOSE BAGGAGE  
FIGURE 01 (SHEET 1)

6310T1168  
A6313T1003



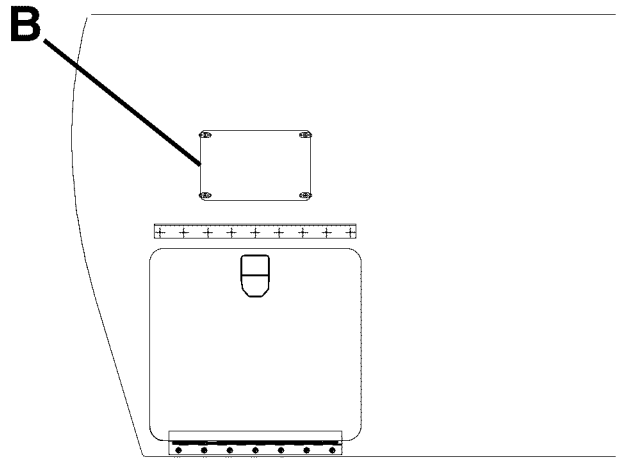
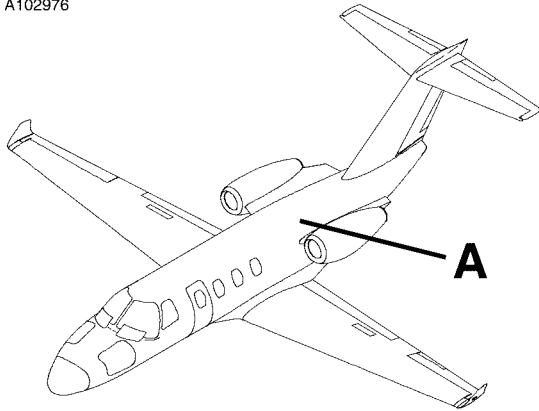
CESSNA®  
**MODEL 525 (SERIALS -0685 AND -0800 AND ON)**  
 ILLUSTRATED PARTS CATALOG

FIG ITEM	PART NUMBER	NOMENCLATURE							UNITS PER ASSY		
		1	2	3	4	5	6	7			
01		REPUBLIC OF KOREA EXTERIOR PLACARDS AND MARKINGS - NOSE							0940	& ON	RF R
-		BAGGAGE									
1	4416000-163	. PLACARD-MAX BAGGAGE WEIGHT 400LBS . . . . .									02 R

- ITEM NOT ILLUSTRATED

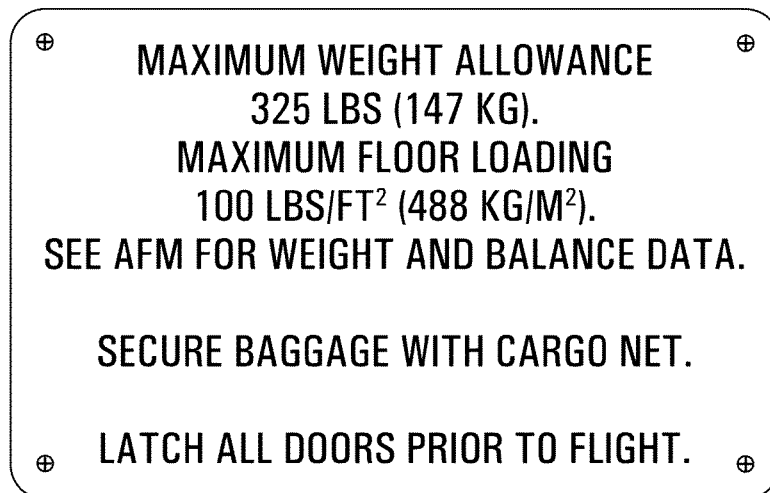
CESSNA®  
**MODEL 525 (SERIALS -0685 AND -0800 AND ON)**  
ILLUSTRATED PARTS CATALOG

A102976



**DETAIL A**

Looking Forward at Left Hand Side Forward Wall



1

▲ **DETAIL B**

▲ Required for Dispatch

REPUBLIC OF KOREA EXTERIOR PLACARDS AND MARKINGS - AFT BAGGAGE  
FIGURE 02 (SHEET 1)

6310T1168  
A6312T1220

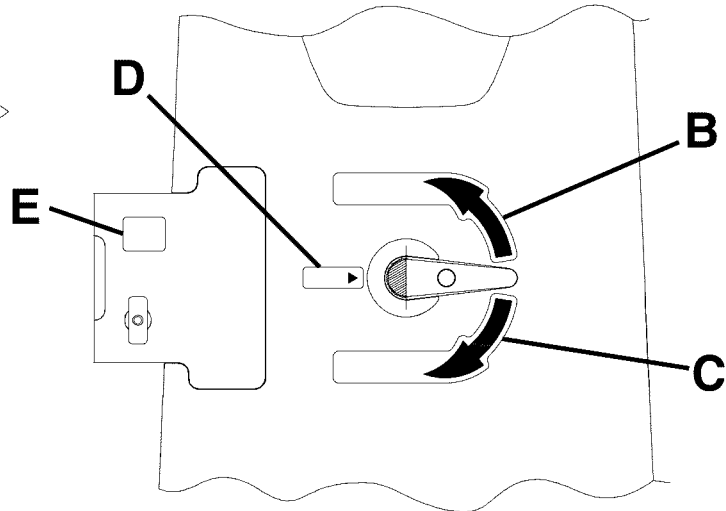
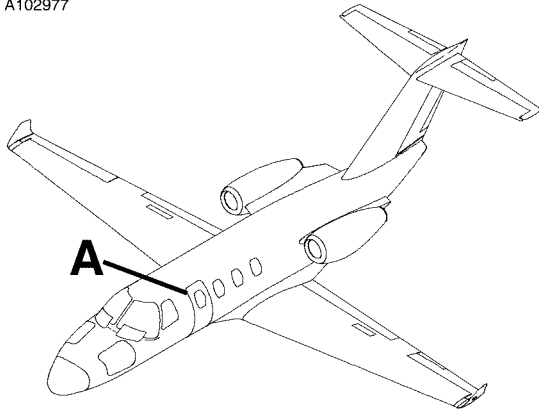
CESSNA®  
**MODEL 525 (SERIALS -0685 AND -0800 AND ON)**  
 ILLUSTRATED PARTS CATALOG

FIG ITEM	PART NUMBER	1 2 3 4 5 6 7	NOMENCLATURE	UNITS PER ASSY		
02			REPUBLIC OF KOREA EXTERIOR PLACARDS AND MARKINGS - AFT	0940	& ON	RF R
-			BAGGAGE			
1	4416004-58		. PLACARD-MAX BAGGAGE WEIGHT 325LB (PRIVATE AND COMMERCIAL) . .			01 R
			. ATTACHING PARTS			
- 2	MS35214-14		. SCREW . . . . .			04 R
- 3	MS21069L04		. NUTPLATE . . . . .			04 R
			—*—			

- ITEM NOT ILLUSTRATED

CESSNA®  
**MODEL 525 (SERIALS -0685 AND -0800 AND ON)**  
 ILLUSTRATED PARTS CATALOG

A102977



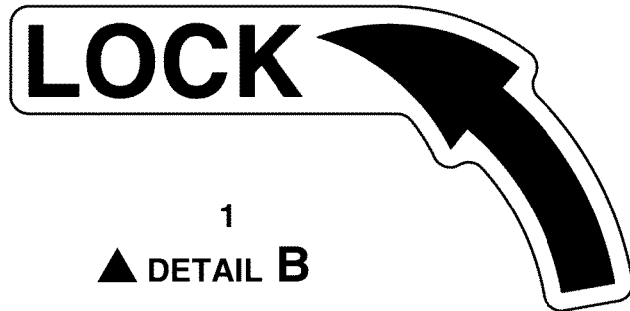
**DETAIL A**

(View Looking Inboard at Entry Door)

**DOOR CATCH  
 RELEASE INSIDE  
 BEHIND THIS  
 PLACARD. RAISE  
 STEPS BEFORE  
 CLOSING DOOR.**

4

**DETAIL E**



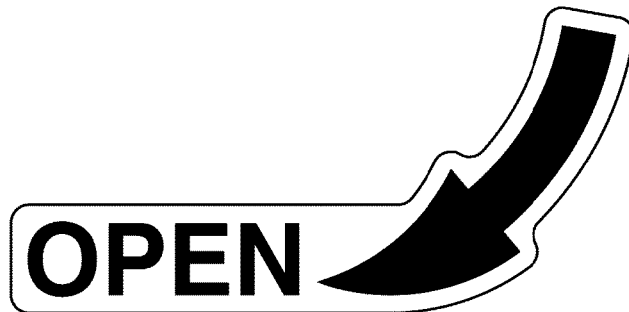
1

▲ **DETAIL B**



3

▲ **DETAIL D**



2

▲ **DETAIL C**

▲ Required for Dispatch

6310T1168  
 A6319T1646

REPUBLIC OF KOREA EXTERIOR PLACARDS AND MARKINGS - CABIN DOOR  
 FIGURE 01 (SHEET 1)

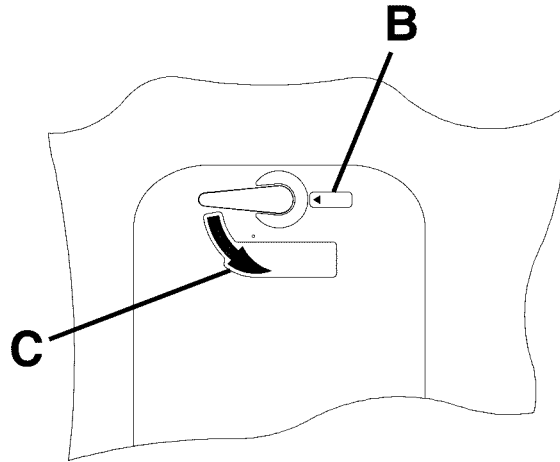
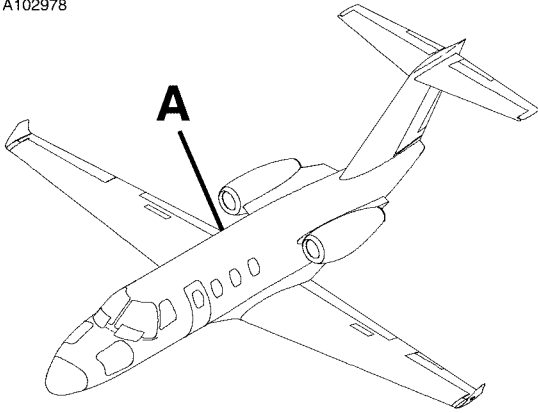
CESSNA®  
**MODEL 525 (SERIALS -0685 AND -0800 AND ON)**  
 ILLUSTRATED PARTS CATALOG

FIG ITEM	PART NUMBER	NOMENCLATURE	UNITS	
			PER	ASSY
01				
-		REPUBLIC OF KOREA EXTERIOR PLACARDS AND MARKINGS - CABIN DOOR	0940	& ON RF R
1	4316002-16	. DECAL-LOCK		01 R
2	4316002-17	. DECAL-OPEN		01 R
3	4316002-15	. DECAL-PUSH		01 R
4	4416000-172	. PLACARD-PRECATCH HANDLE		01 R

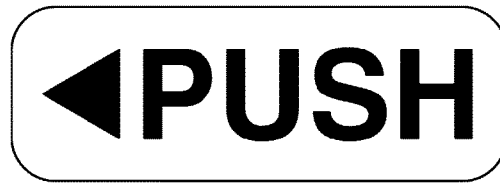
- ITEM NOT ILLUSTRATED

CESSNA®  
MODEL 525 (SERIALS -0685 AND -0800 AND ON)  
ILLUSTRATED PARTS CATALOG

A102978



**DETAIL A**  
Looking Inboard at Escape Hatch



2  
▲ **DETAIL B**



1  
▲ **DETAIL C**

▲ **REQUIRED FOR DISPATCH**

6310T1168  
A4711T953-2

REPUBLIC OF KOREA EXTERIOR PLACARDS AND MARKINGS - ESCAPE HATCH  
FIGURE 02 (SHEET 1)

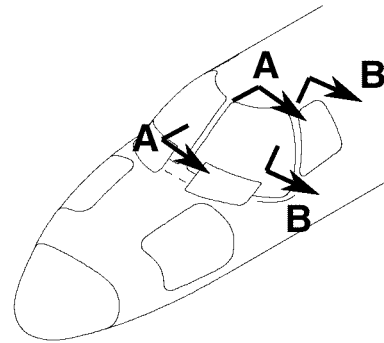
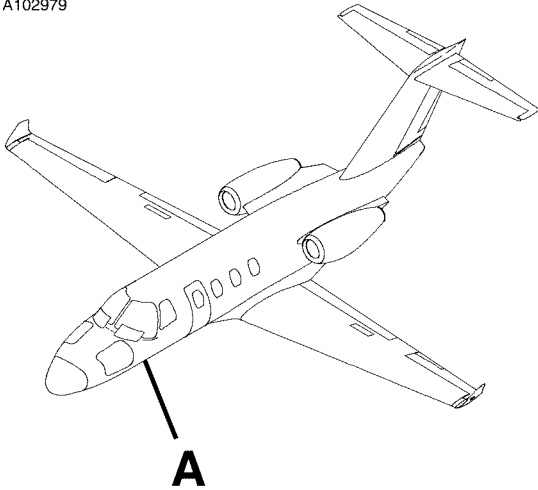
CESSNA®  
**MODEL 525 (SERIALS -0685 AND -0800 AND ON)**  
 ILLUSTRATED PARTS CATALOG

FIG ITEM	PART NUMBER	1 2 3 4 5 6 7	NOMENCLATURE	UNITS PER ASSY		
02						
-			REPUBLIC OF KOREA EXTERIOR PLACARDS AND MARKINGS - ESCAPE HATCH	0940	& ON	RF R
1	4316002-1		. DECAL-EMERGENCY EXIT (OPEN ) . . . . .			01 R
2	4316002-2		. DECAL-EMERGENCY EXIT (PUSH) . . . . .			01 R

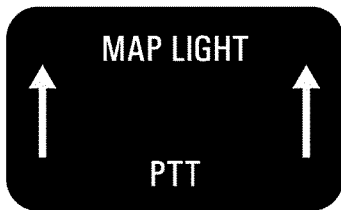
- ITEM NOT ILLUSTRATED

CESSNA®  
**MODEL 525 (SERIALS -0685 AND -0800 AND ON)**  
 ILLUSTRATED PARTS CATALOG

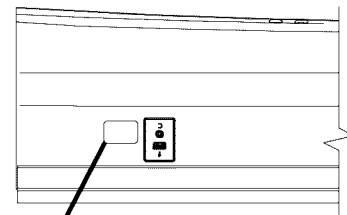
A102979



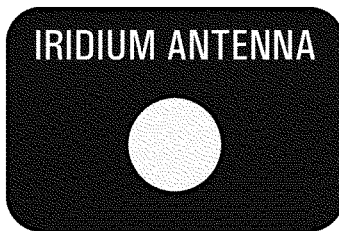
**DETAIL A**



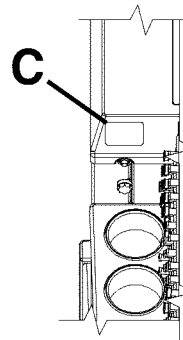
**2**  
**DETAIL C**



**VIEW A-A**



**1**  
**DETAIL B**



**VIEW B-B**

View Looking at Left Hand Side Console

6310T1168  
 B6310T1168  
 AA6310T1182  
 BB6310T1183  
 CC6310T1184

REPUBLIC OF KOREA INTERIOR PLACARDS AND MARKINGS - LH CONSOLE  
 FIGURE 04 (SHEET 1)



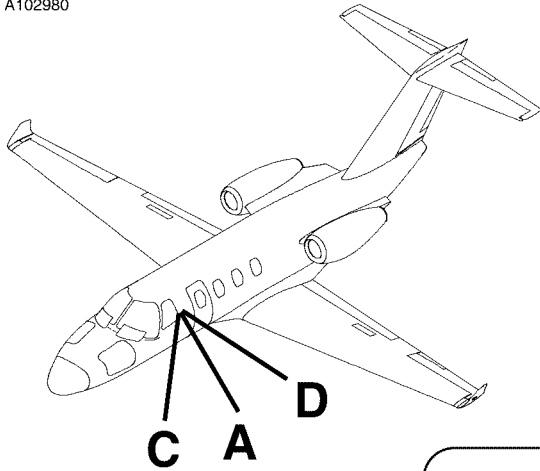
CESSNA®  
**MODEL 525 (SERIALS -0685 AND -0800 AND ON)**  
 ILLUSTRATED PARTS CATALOG

FIG ITEM	PART NUMBER	NOMENCLATURE	UNITS PER ASSY	
			1 2 3 4 5 6 7	
04				
-		REPUBLIC OF KOREA INTERIOR PLACARDS AND MARKINGS - LH CONSOLE	0940	& ON RF R
1	4316002-35	. PLACARD-IRIDIUM ANTENNA . . . . .		01 R
2	4316002-38	. PLACARD-MAP LIGHT . . . . .		02 R

- ITEM NOT ILLUSTRATED

CESSNA®  
**MODEL 525 (SERIALS -0685 AND -0800 AND ON)**  
 ILLUSTRATED PARTS CATALOG

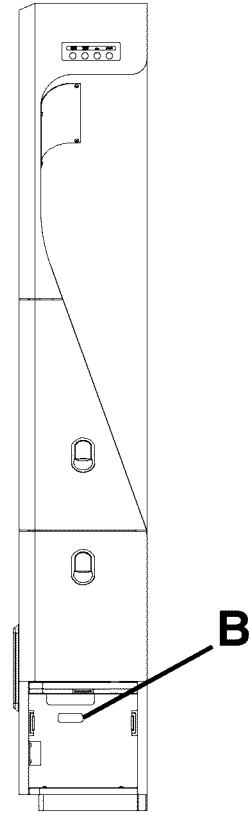
A102980



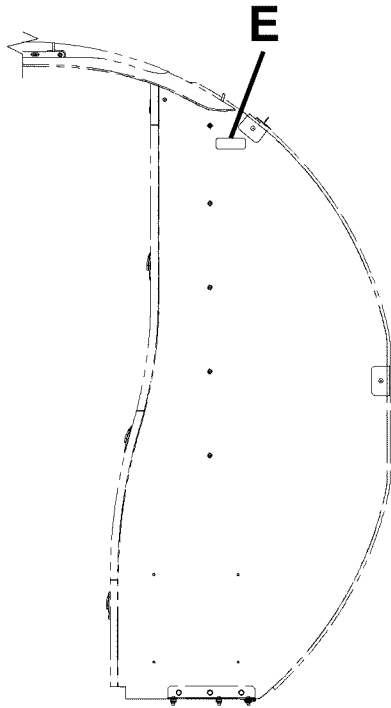
STOW CURTAIN FOR  
 TAXI, TAKEOFF, AND LANDING.

2

▲ **DETAIL E**

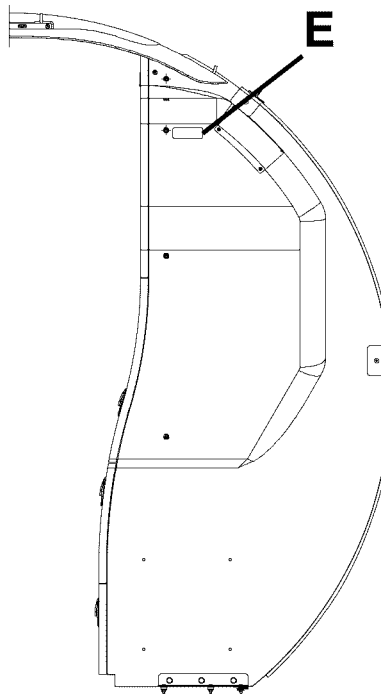


**DETAIL A**



**DETAIL D**

Looking Aft at Left Hand  
 Forward Reference Center



**DETAIL C**

Looking Aft at Left Hand Cabinet Assembly

**CABIN BRIEFER  
 PROGRAM LOAD PORT**

1

**DETAIL B**

▲ Required for Dispatch

REPUBLIC OF KOREA INTERIOR PLACARDS AND MARKINGS - FLIGHT COMPARTMENT  
 FIGURE 05 (SHEET 1)

6310T1168  
 A471T1953  
 C471T1953

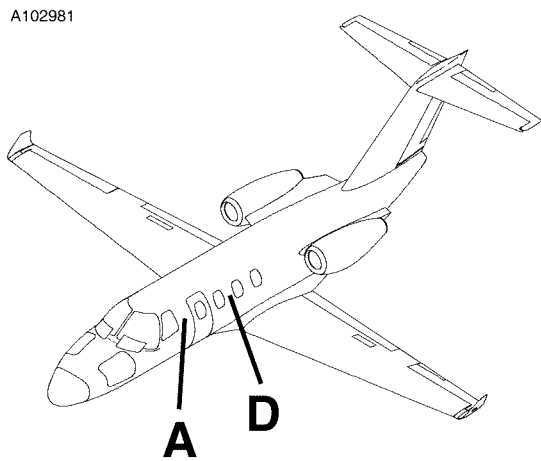
CESSNA®  
**MODEL 525 (SERIALS -0685 AND -0800 AND ON)**  
 ILLUSTRATED PARTS CATALOG

FIG ITEM	PART NUMBER	NOMENCLATURE	UNITS PER ASSY		
			1	2	3
05		REPUBLIC OF KOREA INTERIOR PLACARDS AND MARKINGS - FLIGHT	0940	& ON	RF R
-		COMPARTMENT			
1	4316002-40	. PLACARD-CABIN BRIEFER PORT . . . . .			01 R
2	4316002-8	. PLACARD-CURTAIN STOWAGE . . . . .			01 R

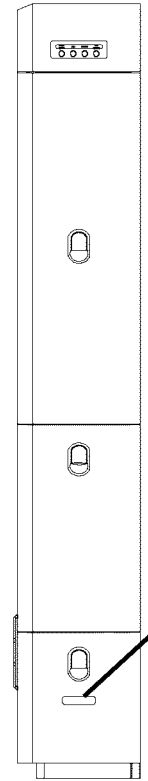
- ITEM NOT ILLUSTRATED

CESSNA®  
**MODEL 525 (SERIALS -0685 AND -0800 AND ON)**  
 ILLUSTRATED PARTS CATALOG

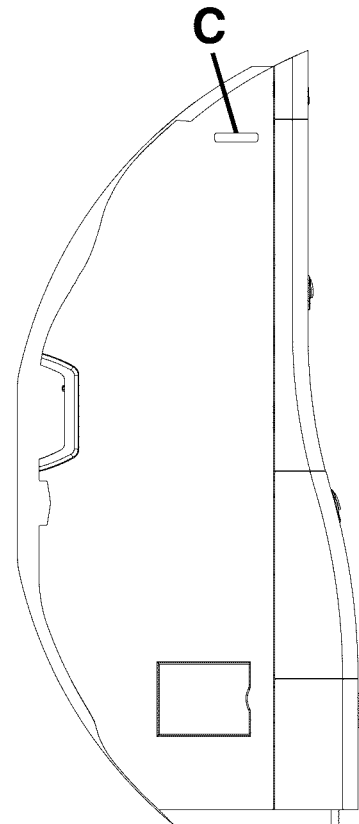
A102981



**A**



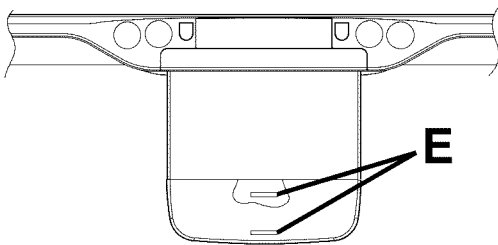
**DETAIL A**



**VIEW A-A**

**STOW FOR TAXI, TAKEOFF, AND LANDING.**

**1**  
**▲ DETAIL E**



**DETAIL D**

Looking Down on Right Hand Side Deployed Table,  
 Left Hand Side Opposite

**CLOSE ALL CABINET DOORS AND DRAWERS  
 FOR TAXI, TAKEOFF, AND LANDING.**

**3**  
**▲ DETAIL C**

**NO CIGARETTE DISPOSAL;  
 METAL TRASH LINER REQUIRED.**

**2**  
**▲ DETAIL B**

**▲ Required for Dispatch**

6310T1168  
 A6320T1021  
 AA6320T1021  
 D6320T1021

REPUBLIC OF KOREA INTERIOR PLACARDS AND MARKINGS - FORWARD CABIN  
 FIGURE 01 (SHEET 1)

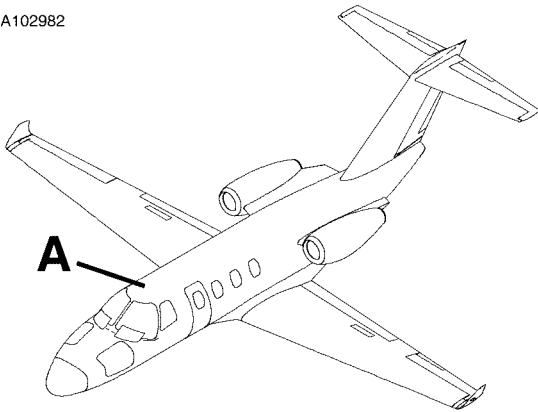
CESSNA®  
**MODEL 525 (SERIALS -0685 AND -0800 AND ON)**  
 ILLUSTRATED PARTS CATALOG

FIG ITEM	PART NUMBER	1 2 3 4 5 6 7	NOMENCLATURE	UNITS PER ASSY		
01			REPUBLIC OF KOREA INTERIOR PLACARDS AND MARKINGS - FORWARD	0940	& ON	RF R
-			CABIN			
1	4316002-200		. PLACARD-TABLE STOWAGE . . . . .			04 R
2	4316002-20		. PLACARD-TRASH CONTAINER . . . . .			01 R
3	4316002-23		. PLACARD-CABINET DOOR INSTRUCTIONS . . . . .			01 R

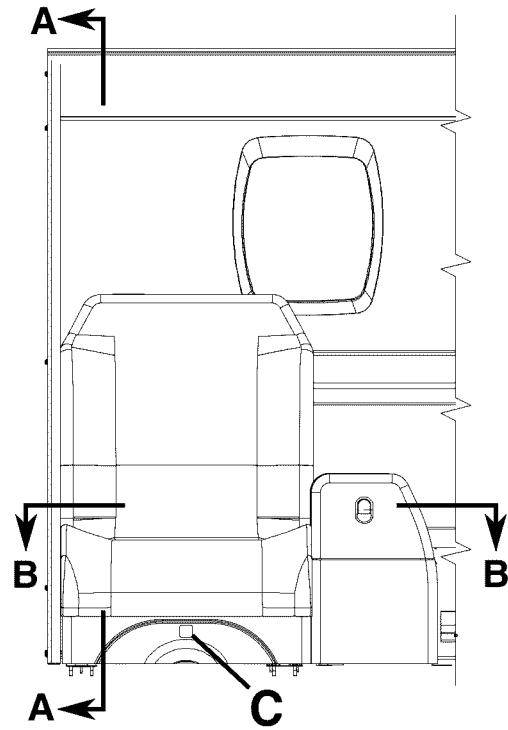
- ITEM NOT ILLUSTRATED

CESSNA®  
**MODEL 525 (SERIALS -0685 AND -0800 AND ON)**  
 ILLUSTRATED PARTS CATALOG

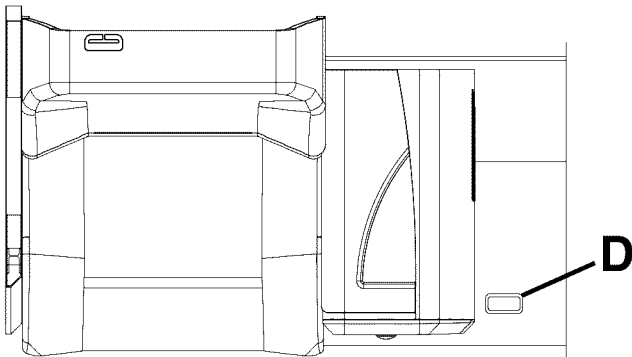
A102982



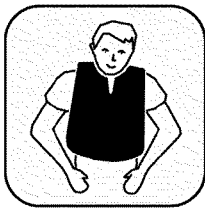
**76**  
**DETAIL D**



**DETAIL A**  
 Looking Outboard at Side Facing Seat

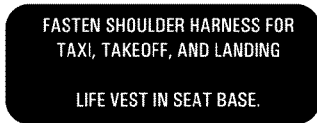


**VIEW B-B**



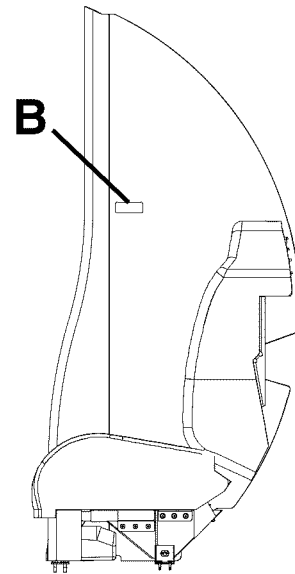
**78**

**▲ DETAIL C**



**75**

**▲ DETAIL B**



**VIEW A-A**

6310T1168  
 A6320T1021  
 AA6320T1021  
 BB6320T1021

**▲ Required for Dispatch**

REPUBLIC OF KOREA INTERIOR PLACARDS AND MARKINGS - FORWARD CABIN  
 FIGURE 01 (SHEET 2)

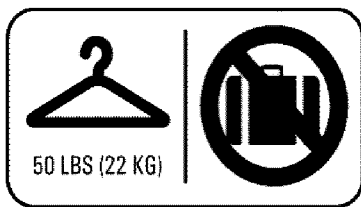
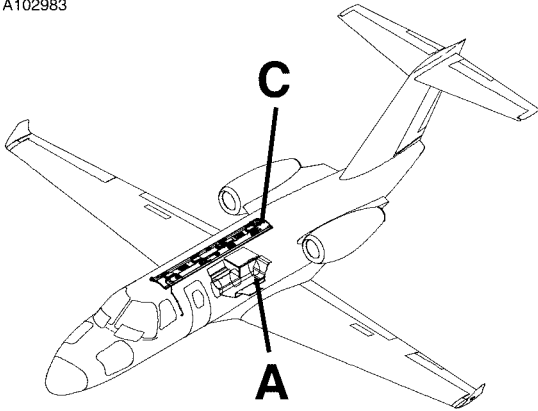
CESSNA®  
**MODEL 525 (SERIALS -0685 AND -0800 AND ON)**  
 ILLUSTRATED PARTS CATALOG

FIG ITEM	PART NUMBER	NOMENCLATURE	UNITS PER ASSY
	1 2 3 4 5 6 7		
01			
75	4316002-21	. PLACARD-SIDE FACING SEAT INSTRUCTIONS . . . . .	01 R
76	4316002-24	. PLACARD-AIR INLET . . . . .	01 R
- 77	4717018-3	. PLACARD-COVER . . . . .	01 R
78	4316002-32	. PLACARD-SIDE FACING SEAT LIFEVEST . . . . .	01 R

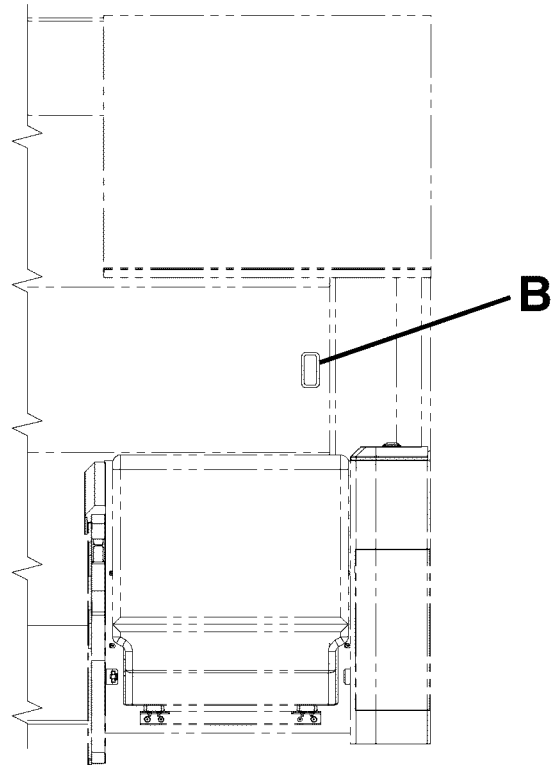
- ITEM NOT ILLUSTRATED

CESSNA®  
**MODEL 525 (SERIALS -0685 AND -0800 AND ON)**  
 ILLUSTRATED PARTS CATALOG

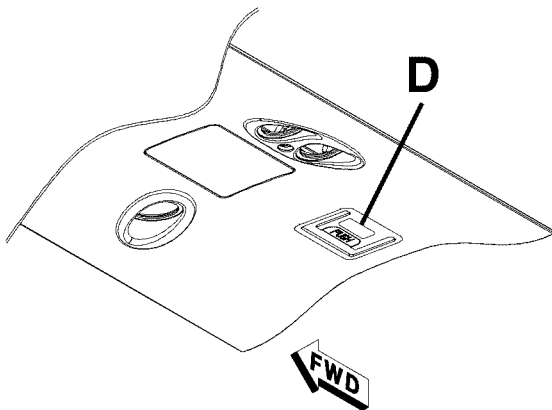
A102983



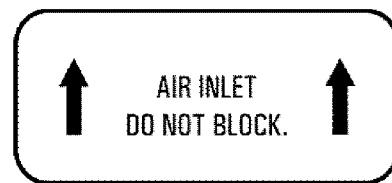
**3**  
 ▲ **DETAIL D**



**DETAIL A**



**DETAIL C**



**1**  
**DETAIL B**

▲ Required for Dispatch

REPUBLIC OF KOREA INTERIOR PLACARDS AND MARKINGS - AFT CABIN  
 FIGURE 02 (SHEET 1)

6310T1168  
 A6312T1217  
 C6312T1218



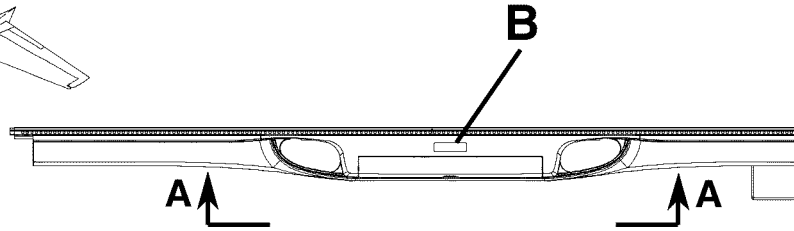
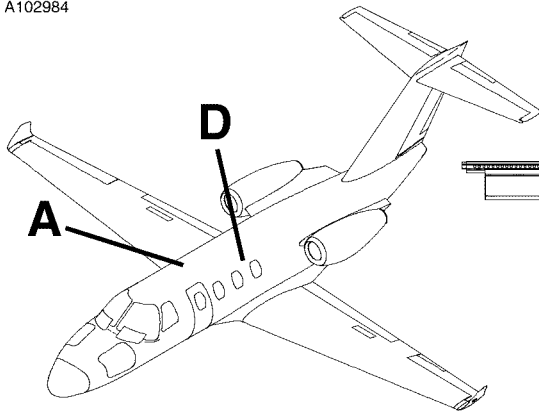
CESSNA®  
**MODEL 525 (SERIALS -0685 AND -0800 AND ON)**  
 ILLUSTRATED PARTS CATALOG

FIG ITEM	PART NUMBER	NOMENCLATURE	UNITS PER ASSY		
			1	2	3
02					
-		REPUBLIC OF KOREA INTERIOR PLACARDS AND MARKINGS - AFT CABIN	0940	& ON	RF R
1	4316002-24	. PLACARD-AIR INLET . . . . .			01 R
2	4717018-3	. PLACARD-COVER . . . . .			01 R
3	4316002-34	. PLACARD-COAT ROD . . . . .			01 R

- ITEM NOT ILLUSTRATED

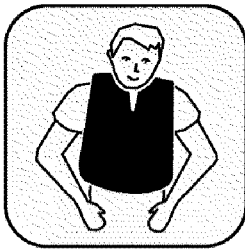
CESSNA®  
**MODEL 525 (SERIALS -0685 AND -0800 AND ON)**  
 ILLUSTRATED PARTS CATALOG

A102984



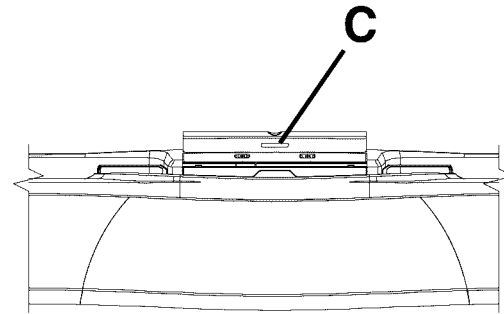
**DETAIL A**

Looking Down on Right Hand Sideledge



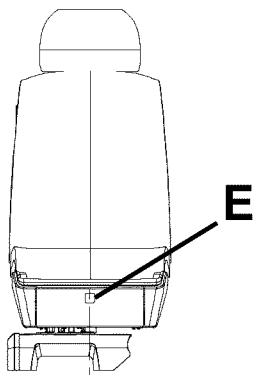
3

▲ **DETAIL E**



**VIEW A-A**

Table Lid Shown in Upright Position



**DETAIL D**

FOR TAXI, TAKEOFF, AND LANDING: RAISE SEAT BACK;  
 EXTEND HEADREST; TRACK SEAT AWAY FROM  
 TABLE THEN OUTBOARD; FASTEN SHOULDER HARNESS.  
 LIFE VEST IN SEAT BASE.

1

▲ **DETAIL B**

CLOSE LID FOR TAXI, TAKEOFF, AND LANDING.

2

▲ **DETAIL C**

▲ Required for Dispatch

6310T1168  
 A6319T1647  
 AA6319T1647  
 D6319T1648

REPUBLIC OF KOREA INTERIOR PLACARDS AND MARKINGS - CABIN SEATS  
 FIGURE 04 (SHEET 1)

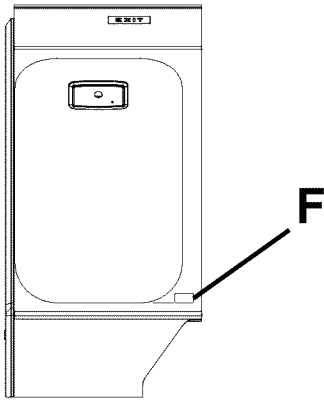
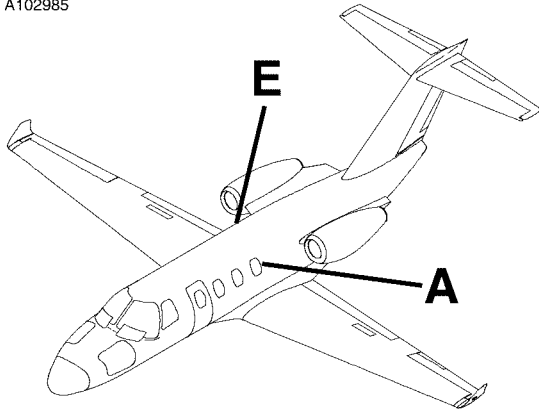
CESSNA®  
**MODEL 525 (SERIALS -0685 AND -0800 AND ON)**  
 ILLUSTRATED PARTS CATALOG

FIG ITEM	PART NUMBER	NOMENCLATURE	UNITS PER ASSY	
			1 2 3 4 5 6 7	
04				
-		REPUBLIC OF KOREA INTERIOR PLACARDS AND MARKINGS - CABIN SEATS	0940	& ON RF R
1	4316002-47	. PLACARD-PASSENGER SEAT INSTRUCTIONS . . . . .		02 R
2	4316002-28	. PLACARD-TABLE LID INSTRUCTIONS . . . . .		02 R
3	4316002-32	. PLACARD-LIFEVEST . . . . .		04 R

- ITEM NOT ILLUSTRATED

CESSNA®  
**MODEL 525 (SERIALS -0685 AND -0800 AND ON)**  
 ILLUSTRATED PARTS CATALOG

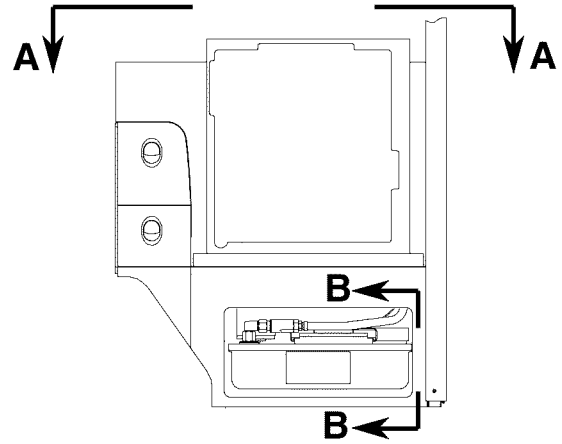
A102985



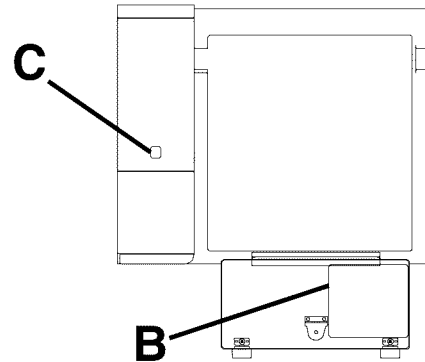
**DETAIL E**  
 View Looking Outboard



4  
 ▲ **DETAIL F**

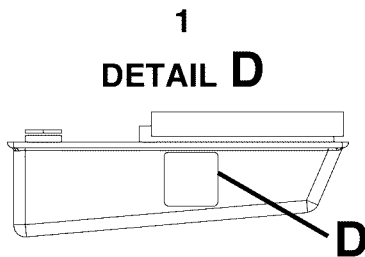


**DETAIL A**  
 View Looking Outboard



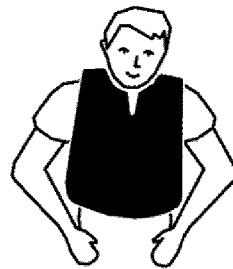
**VIEW A-A**

TOILET CHEMICAL  
 IS CORROSIVE.  
 USE EXTREME CARE  
 TO PREVENT SPILLAGE.  
 FOLLOW SERVICING  
 INSTRUCTIONS CAREFULLY.  
 CLEAN ANY SPILLAGE  
 IMMEDIATELY AND  
 REPORT IT TO THE CREW.



1  
**DETAIL D**

**VIEW B-B**



3  
 ▲ **DETAIL C**

**DETAIL A**  
 INSTALLED

**DETAIL B**  
 REMOVED

1 SLIDES (2 EACH)  
 (INSERT INTO SLIDE PLATE ASSEMBLY ITEM 6.)  
 2 PRES LOK FASTENERS (2 EACH)  
 (SHOWN LOCKED IN DETAIL A, UNLOCKED IN DETAIL B.)  
 3 KNIFE VALVE HANDLE  
 (KNIFE VALVE OPENED EXCEPT FOR TANK REMOVAL.)  
 (SHOWN OPEN IN DETAIL A, CLOSED IN DETAIL B.)  
 4 FLUSH HOSE (BUCK CONNECT)  
 5 RECESSED CARRYING HANDLE  
 6 SLIDE PLATE ASSEMBLY

**CAUTION: TO AVOID SPILLAGE**  
 DO NOT REMOVE TANK BEFORE CLOSING KNIFE VALVE ITEM 3.  
 PROPERLY INSTALL SLIDES INTO SLIDE PLATE.  
 VISUALLY INSPECT THAT NO GAP EXISTS BETWEEN TANK AND SLIDE PLATE GASKET.  
 KNIFE VALVE TO BE OPENED BEFORE FLIGHT.

2  
**DETAIL B**

6310T1168  
 A6319T1360  
 AA6319T1361  
 BB6319T1360  
 E6314T1662

▲ Required for Dispatch

REPUBLIC OF KOREA INTERIOR PLACARDS AND MARKINGS - LAVATORY  
 FIGURE 01 (SHEET 1)

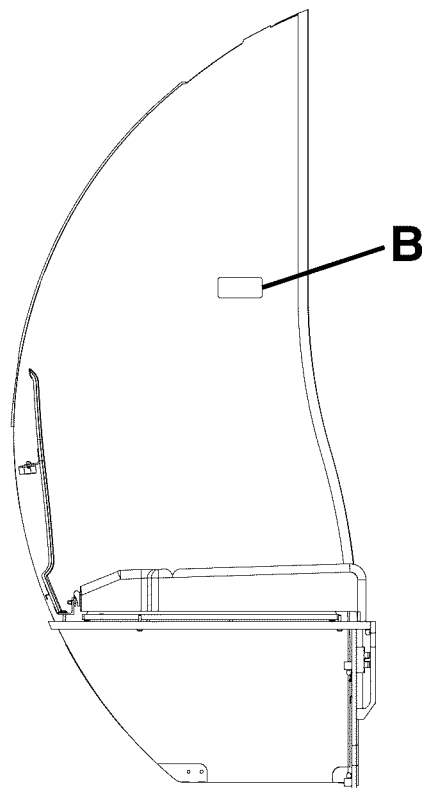
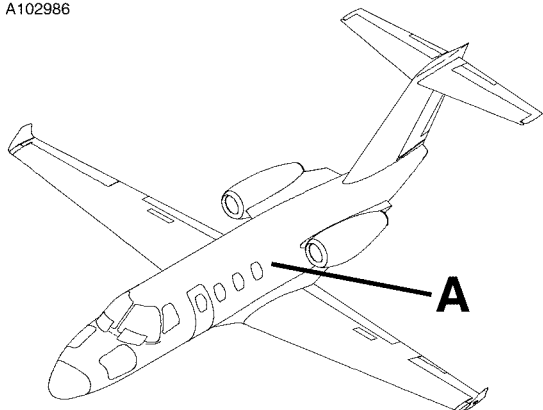
CESSNA®  
**MODEL 525 (SERIALS -0685 AND -0800 AND ON)**  
 ILLUSTRATED PARTS CATALOG

FIG ITEM	PART NUMBER	1 2 3 4 5 6 7	NOMENCLATURE	UNITS PER ASSY		
				0940	& ON	RF R
01			REPUBLIC OF KOREA INTERIOR PLACARDS AND MARKINGS - LAVATORY			
-						
1	4316002-30		. PLACARD-TOILET CARE . . . . .			01 R
2	4316002-36		. PLACARD-TOILET SERVICING . . . . .			01 R
3	4316002-32		. PLACARD-LIFEVEST . . . . .			01 R
4	4316002-33		. PLACARD-NO SMOKING . . . . .			01 R

- ITEM NOT ILLUSTRATED

CESSNA®  
**MODEL 525 (SERIALS -0685 AND -0800 AND ON)**  
ILLUSTRATED PARTS CATALOG

A102986



**DETAIL A**  
View Looking Forward

FOR TAXI, TAKEOFF, AND LANDING:  
LATCH SLIDING DOOR OPEN;  
CLOSE ALL CABINET DOORS AND DRAWERS;  
FASTEN SHOULDER HARNESS.

LIFE VEST IN SEAT CABINET.

75  
**DETAIL B**

REPUBLIC OF KOREA INTERIOR PLACARDS AND MARKINGS - LAVATORY  
FIGURE 01 (SHEET 2)

6310T1168  
A4711T953-31

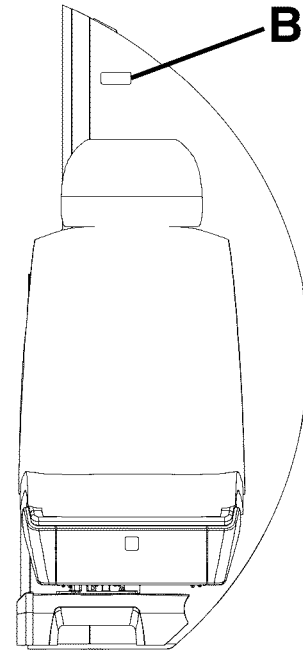
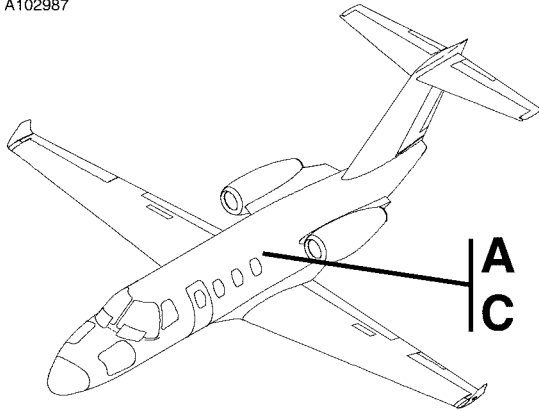
CESSNA®  
**MODEL 525 (SERIALS -0685 AND -0800 AND ON)**  
 ILLUSTRATED PARTS CATALOG

FIG ITEM	PART NUMBER	1 2 3 4 5 6 7	NOMENCLATURE	UNITS PER ASSY
01 75	4316002-42		. PLACARD-LH BELTED TOILET INSTRUCTIONS (DOOR) . . . . .	01 R

- ITEM NOT ILLUSTRATED

CESSNA®  
**MODEL 525 (SERIALS -0685 AND -0800 AND ON)**  
 ILLUSTRATED PARTS CATALOG

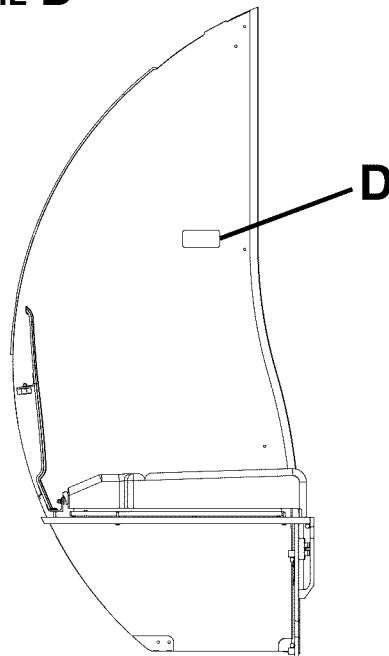
A102987



**FOR TAXI, TAKEOFF, AND LANDING:  
 STOW CURTAIN;  
 CLOSE ALL CABINET DOORS AND DRAWERS;  
 FASTEN SHOULDER HARNESS.  
 LIFE VEST IN SEAT CABINET.**

**DETAIL A**  
 Looking Aft

**3**  
 ▲ **DETAIL D**



**NO SMOKING IN LAVATORY.  
 STOW CURTAIN  
 FOR TAXI, TAKEOFF, AND LANDING.**

**1**  
 ▲ **DETAIL B**

**NO SMOKING IN LAVATORY.  
 LATCH SLIDING DOOR OPEN  
 FOR TAXI, TAKEOFF, AND LANDING.**

**2**  
 ▲ **DETAIL B**

**DETAIL C**  
 Looking Forward

▲ Required for Dispatch

REPUBLIC OF KOREA INTERIOR PLACARDS AND MARKINGS - DIVIDERS  
 FIGURE 02 (SHEET 1)

6310T1168  
 A6319T1649  
 C6319T1650



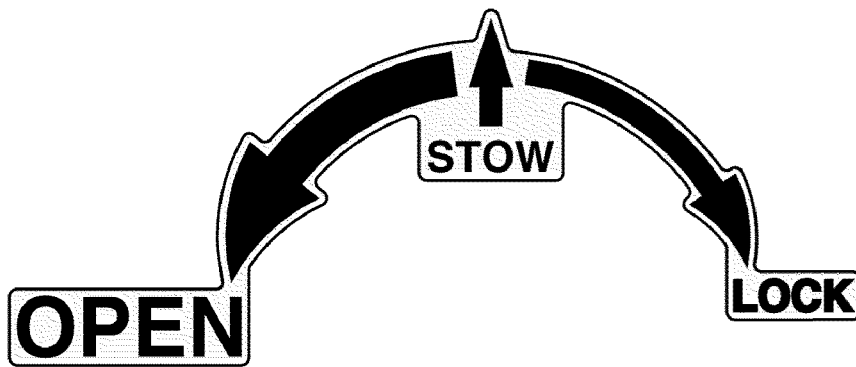
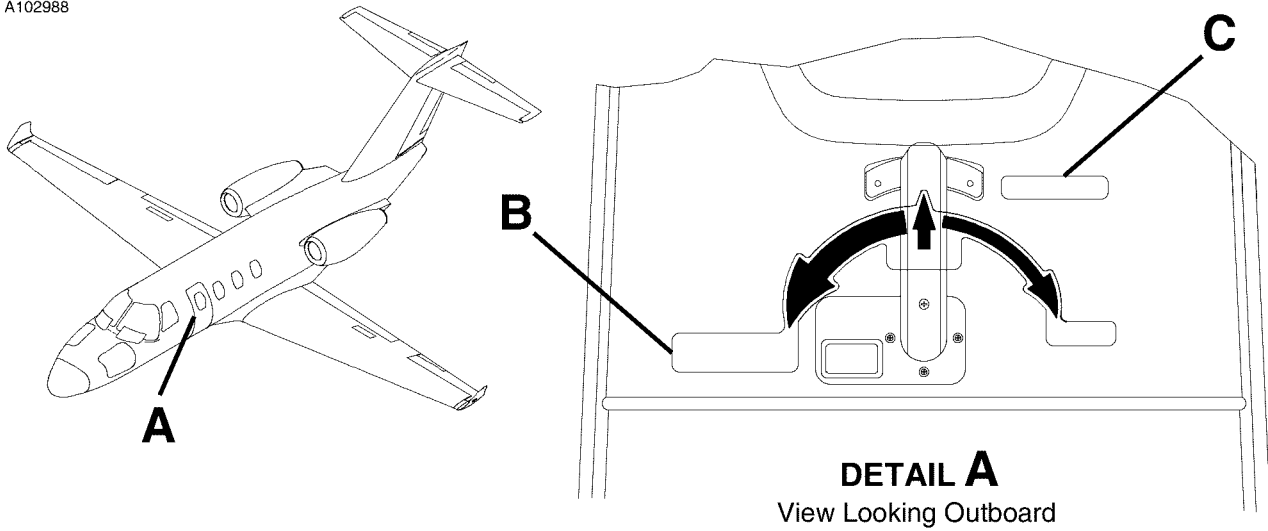
CESSNA®  
**MODEL 525 (SERIALS -0685 AND -0800 AND ON)**  
 ILLUSTRATED PARTS CATALOG

FIG ITEM	PART NUMBER	NOMENCLATURE	UNITS PER ASSY		
			1	2	3
02					
-		REPUBLIC OF KOREA INTERIOR PLACARDS AND MARKINGS - DIVIDERS	0940	& ON	RF R
1	4316002-25	. PLACARD-AFT CABIN INSTRUCTIONS (CURTAIN) . . . . .			01 R
2	4316002-41	. PLACARD-AFT CABIN INSTRUCTIONS (DOOR) . . . . .			01 R
3	4316002-29	. PLACARD-AFT CABIN INSTRUCTIONS . . . . .			01 R

- ITEM NOT ILLUSTRATED

CESSNA®  
MODEL 525 (SERIALS -0685 AND -0800 AND ON)  
ILLUSTRATED PARTS CATALOG

A102988



1  
▲ **DETAIL B**

**TO RELEASE: PUSH BUTTON,  
PULL TRIGGER ON HANDLE.**

2  
▲ **DETAIL C**

▲ Required for Dispatch

REPUBLIC OF KOREA INTERIOR PLACARDS AND MARKINGS - CABIN DOOR  
FIGURE 01 (SHEET 1)

6310T1168  
A6319T1645

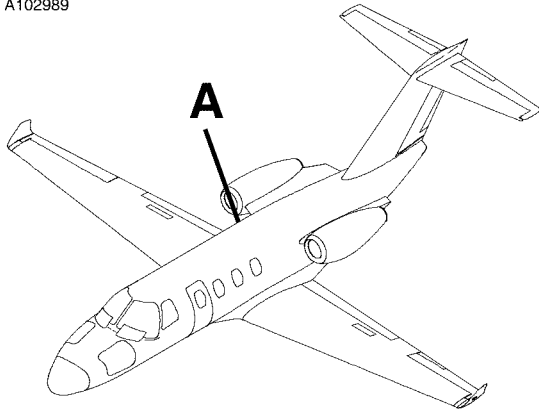
CESSNA®  
**MODEL 525 (SERIALS -0685 AND -0800 AND ON)**  
 ILLUSTRATED PARTS CATALOG

FIG ITEM	PART NUMBER	1 2 3 4 5 6 7	NOMENCLATURE	UNITS PER ASSY		
01						
-			REPUBLIC OF KOREA INTERIOR PLACARDS AND MARKINGS - CABIN DOOR	0940	& ON	RF R
1	4316002-18		. DECAL-HANDLE OPERATION . . . . .			01 R
2	4316002-19		. DECAL-PUSH BUTTON . . . . .			01 R

- ITEM NOT ILLUSTRATED

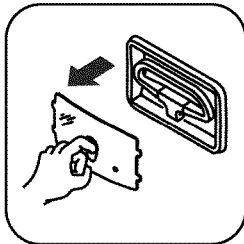
CESSNA®  
**MODEL 525 (SERIALS -0685 AND -0800 AND ON)**  
 ILLUSTRATED PARTS CATALOG

A102989



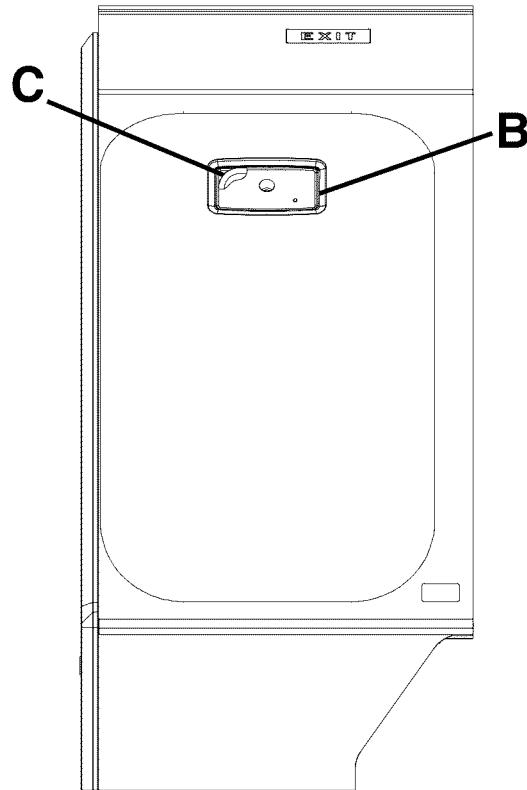
1

▲ **DETAIL E**



2

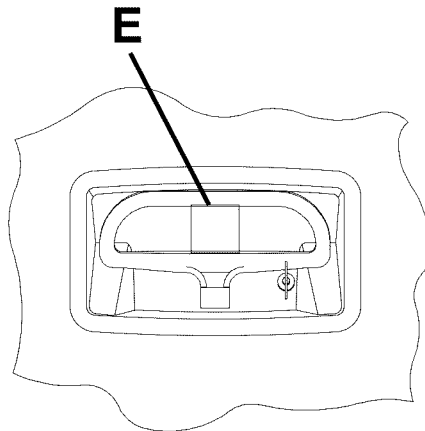
▲ **DETAIL D**



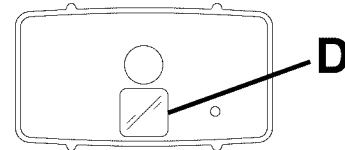
◀ **FWD**

**DETAIL A**

View Looking Outboard



**DETAIL C**



**DETAIL B**

▲ Required for Dispatch

REPUBLIC OF KOREA INTERIOR PLACARDS AND MARKINGS - ESCAPE HATCH  
 FIGURE 02 (SHEET 1)

6310T1168  
 A6310T1180  
 B6310T1180  
 C6310T1180

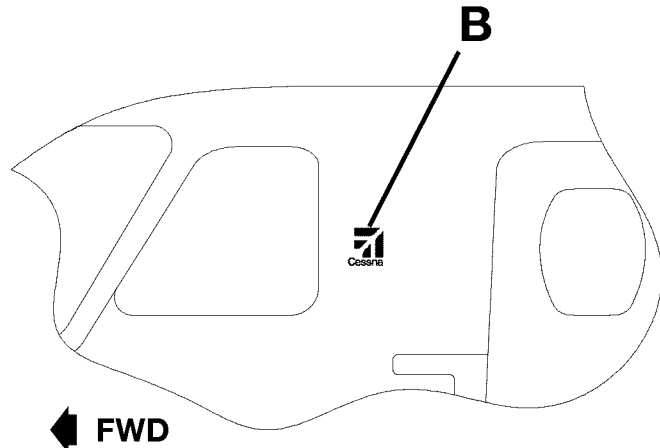
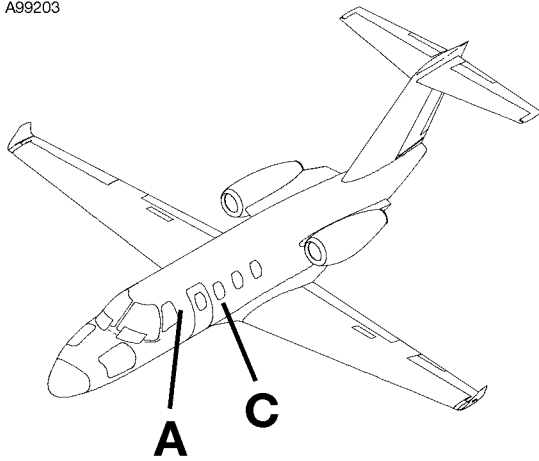
CESSNA®  
**MODEL 525 (SERIALS -0685 AND -0800 AND ON)**  
 ILLUSTRATED PARTS CATALOG

FIG ITEM	PART NUMBER	1 2 3 4 5 6 7	NOMENCLATURE	UNITS PER ASSY		
02			REPUBLIC OF KOREA INTERIOR PLACARDS AND MARKINGS - ESCAPE HATCH	0940	& ON	RF R
1	4316002-27		. PLACARD-ESCAPE HATCH HANDLE INSTRUCTIONS . . . . .			01 R
2	4316002-26		. PLACARD-ESCAPE HATCH COVER INSTRUCTIONS . . . . .			01 R

- ITEM NOT ILLUSTRATED

CESSNA®  
MODEL 525 (SERIALS -0685 AND -0800 AND ON)  
ILLUSTRATED PARTS CATALOG

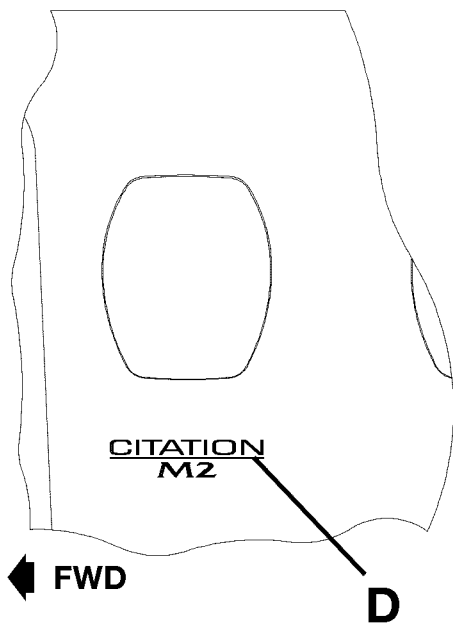
A99203



DETAIL A

# CITATION M2

3  
DETAIL D



DETAIL C



1  
DETAIL B

6310T1168  
A4711953-4  
C4711953-6

ITALIAN EXTERIOR PLACARDS AND MARKINGS - FUSELAGE  
FIGURE 02 (SHEET 1)

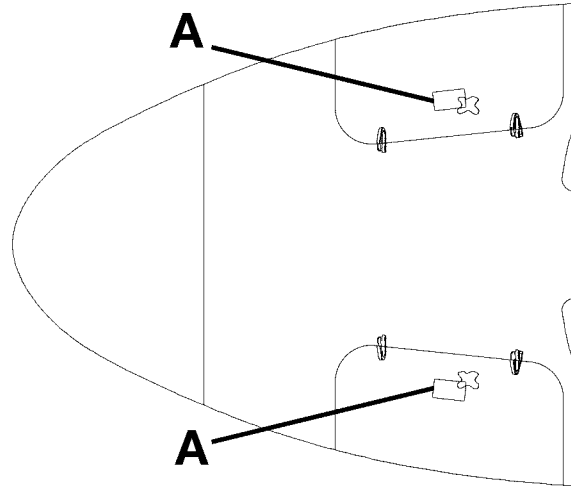
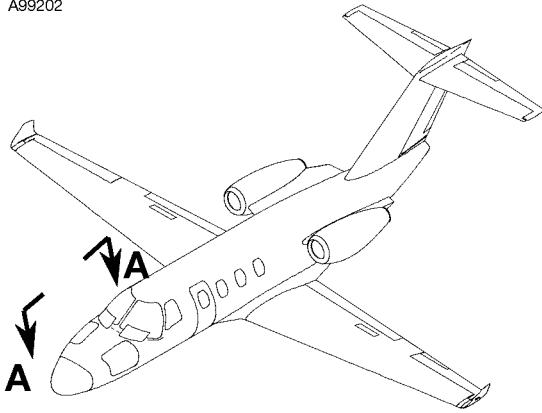
CESSNA®  
**MODEL 525 (SERIALS -0685 AND -0800 AND ON)**  
 ILLUSTRATED PARTS CATALOG

FIG ITEM	PART NUMBER	1 2 3 4 5 6 7	NOMENCLATURE	UNITS PER ASSY
02				
-			ITALIAN EXTERIOR PLACARDS AND MARKINGS - FUSELAGE	0840 & ON RF R
- 1	6505010-124		. DECAL-CESSNA LOGO . . . . .	02 R
- 2	6505010-123		. PAINTMASK-CESSNA LOGO . . . . .	01 R
- 3	4416001-32		. DECAL-M2 INSIGNIA . . . . .	02 R
- 4	4416001-31		. PAINTMASK-M2 INSIGNIA . . . . .	01 R

- ITEM NOT ILLUSTRATED

CESSNA®  
MODEL 525 (SERIALS -0685 AND -0800 AND ON)  
ILLUSTRATED PARTS CATALOG

A99202



VIEW A-A

**MAXIMUM WEIGHT ALLOWANCE  
400 LBS (181 KG).  
MAXIMUM FLOOR LOADING  
35 LBS/FT<sup>2</sup> (170 KG/M<sup>2</sup>).  
SEE AFM FOR WEIGHT  
AND BALANCE DATA.**

1

▲ **DETAIL A**

▲ Required for Dispatch

6310T1168  
AA4711T593-1

ITALIAN EXTERIOR PLACARDS AND MARKINGS - NOSE BAGGAGE  
FIGURE 01 (SHEET 1)



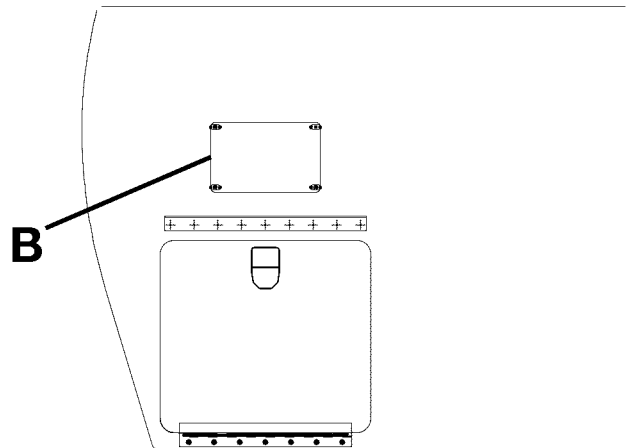
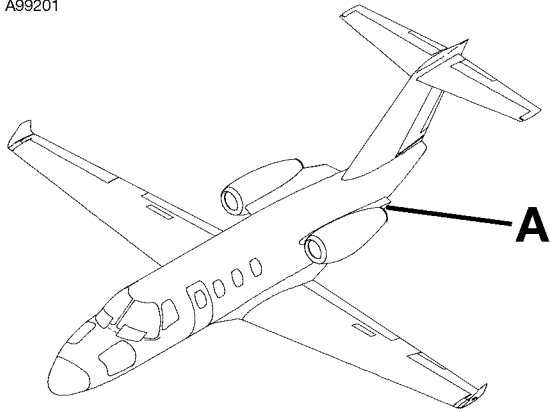
CESSNA®  
**MODEL 525 (SERIALS -0685 AND -0800 AND ON)**  
 ILLUSTRATED PARTS CATALOG

FIG ITEM	PART NUMBER	1 2 3 4 5 6 7	NOMENCLATURE	UNITS PER ASSY		
01			ITALIAN EXTERIOR PLACARDS AND MARKINGS - NOSE BAGGAGE	0840	& ON	RF R
-			. PHOTOPLACARD-NOSE BAGGAGE WEIGHT . . . . .			02 R
1	4416000-163					

- ITEM NOT ILLUSTRATED

CESSNA®  
**MODEL 525 (SERIALS -0685 AND -0800 AND ON)**  
ILLUSTRATED PARTS CATALOG

A99201



**DETAIL A**

⊕

**MAXIMUM WEIGHT ALLOWANCE  
325 LBS (147 KG).  
MAXIMUM FLOOR LOADING  
(488 KG/M  
SEE AFM FOR WEIGHT AND BALANCE DATA.**

**SECURE BAGGAGE WITH CARGO NET.**

**LATCH ALL DOORS PRIOR TO FLIGHT.**

⊕

1

▲ **DETAIL B**

▲ Required for Dispatch

6310T1168  
AA4711T593-1

ITALIAN EXTERIOR PLACARDS AND MARKINGS - AFT BAGGAGE  
FIGURE 02 (SHEET 1)

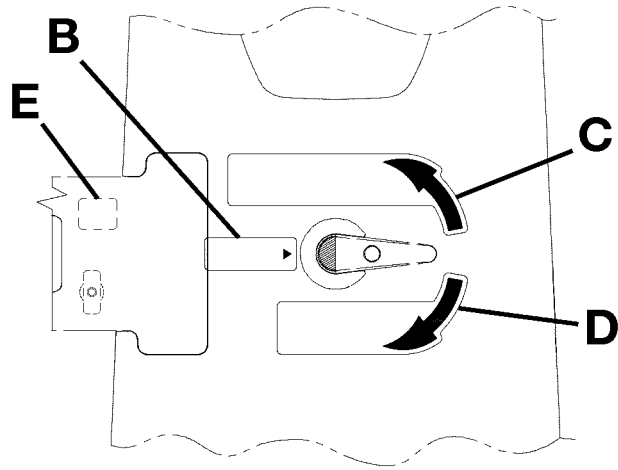
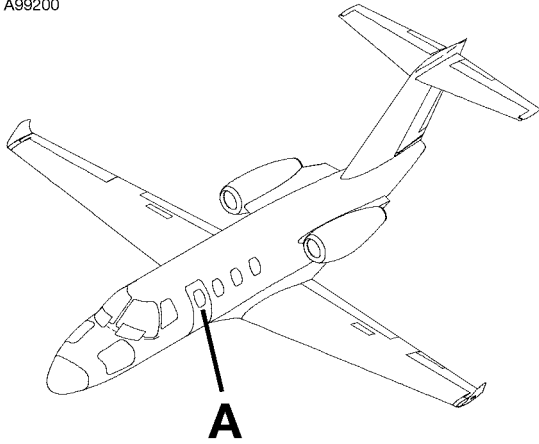
CESSNA®  
**MODEL 525 (SERIALS -0685 AND -0800 AND ON)**  
 ILLUSTRATED PARTS CATALOG

FIG ITEM	PART NUMBER	NOMENCLATURE	UNITS PER ASSY		
			1	2	3
02					
-		ITALIAN EXTERIOR PLACARDS AND MARKINGS - AFT BAGGAGE	0840	& ON	RF R
- 1	4416004-58	. PHOTOPLACARD-TAILCONE BAGGAGE WEIGHT . . . . .			01 R
		ATTACHING PARTS			
- 2	MS35214-14	. SCREW . . . . .			04 R
- 3	MS21069L04	. NUTPLATE . . . . .			04 R
		—*—			

- ITEM NOT ILLUSTRATED

CESSNA®  
**MODEL 525 (SERIALS -0685 AND -0800 AND ON)**  
 ILLUSTRATED PARTS CATALOG

A99200



**DOOR CATCH  
 RELEASE INSIDE  
 BEHIND THIS  
 PLACARD. RAISE  
 STEPS BEFORE  
 CLOSING DOOR.**

4  
 ▲ **DETAIL E**

**DETAIL A**  
 View Looking Inboard at Entry Door

**SPINGERE  
 PUSH** ▶

1  
 ▲ **DETAIL B**

**APRIRE  
 OPEN** ↘

3  
 ▲ **DETAIL D**

**BLOCCARE  
 LOCK** ↘

2  
 ▲ **DETAIL C**

▲ Required for Dispatch

6310T1168  
 A4711984-5

ITALIAN EXTERIOR PLACARDS AND MARKINGS - CABIN DOOR  
 FIGURE 01 (SHEET 1)

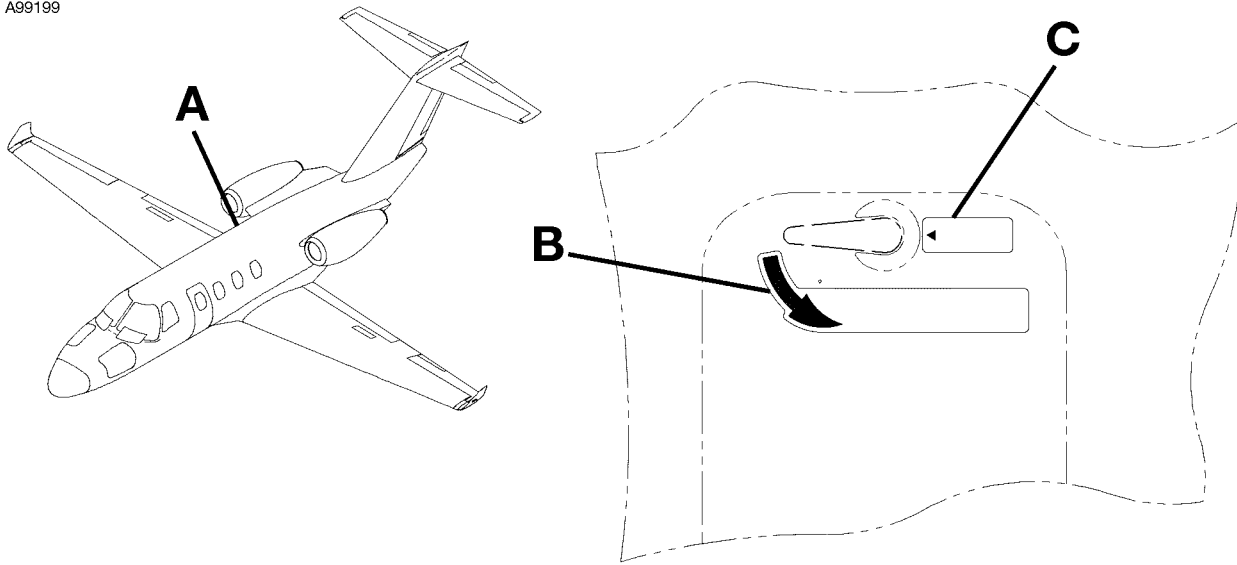
CESSNA®  
**MODEL 525 (SERIALS -0685 AND -0800 AND ON)**  
 ILLUSTRATED PARTS CATALOG

FIG ITEM	PART NUMBER	NOMENCLATURE	UNITS	
			PER	ASSY
01				
-		ITALIAN EXTERIOR PLACARDS AND MARKINGS - CABIN DOOR	0840	& ON RF R
1	4316021-20	. DECAL-CABIN DOOR (PUSH) . . . . .		01 R
2	4316021-21	. DECAL-CABIN DOOR (LOCK) . . . . .		01 R
3	4316021-22	. DECAL-CABIN DOOR (OPEN) . . . . .		01 R
4	4416000-172	. PHOTOPLACARD-CABIN DOOR PRECATCH . . . . .		01 R

- ITEM NOT ILLUSTRATED

CESSNA®  
MODEL 525 (SERIALS -0685 AND -0800 AND ON)  
ILLUSTRATED PARTS CATALOG

A99199



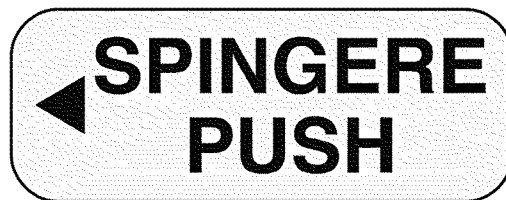
**DETAIL A**

View Looking Inboard at Escape Hatch



1

▲ **DETAIL B**



2

▲ **DETAIL C**

▲ Required for Dispatch.

6310T1168  
A4711984-2

ITALIAN EXTERIOR PLACARDS AND MARKINGS - ESCAPE HATCH  
FIGURE 02 (SHEET 1)

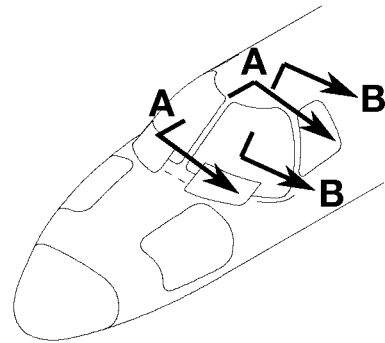
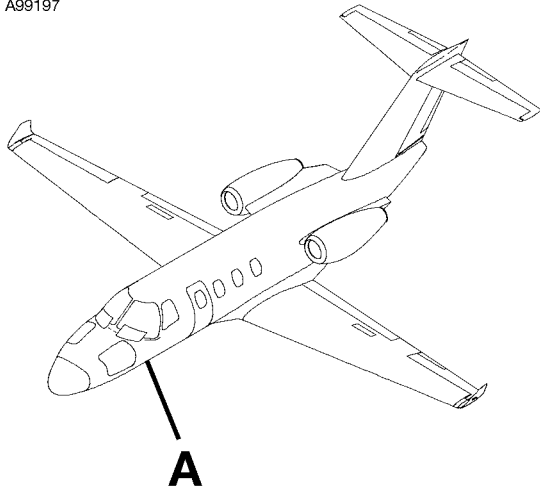
CESSNA®  
**MODEL 525 (SERIALS -0685 AND -0800 AND ON)**  
 ILLUSTRATED PARTS CATALOG

FIG ITEM	PART NUMBER	1 2 3 4 5 6 7	NOMENCLATURE	UNITS PER ASSY	
02			ITALIAN EXTERIOR PLACARDS AND MARKINGS - ESCAPE HATCH		RF R
-					
1	4316021-1		. DECAL-EMERGENCY EXIT (OPEN) . . . . .	0840	& ON 01 R
2	4316021-2		. DECAL-EMERGENCY EXIT (PUSH) . . . . .	0840	& ON 01 R

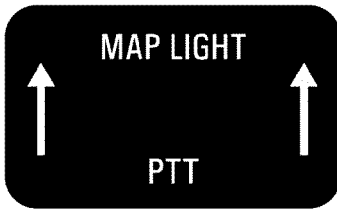
- ITEM NOT ILLUSTRATED

CESSNA®  
**MODEL 525 (SERIALS -0685 AND -0800 AND ON)**  
 ILLUSTRATED PARTS CATALOG

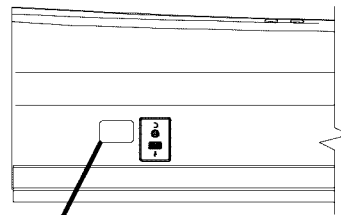
A99197



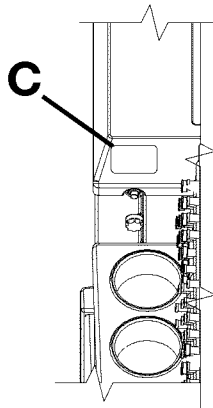
**DETAIL A**



**2**  
**DETAIL C**

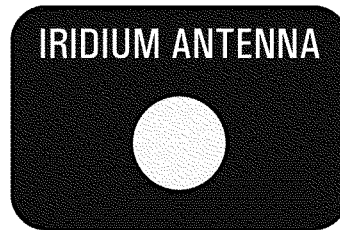


**B**  
**VIEW A-A**



**VIEW B-B**

View Looking at Left Hand Side Console



**1**  
**DETAIL B**

6310T1168  
 B6310T1168  
 AA6310T1183  
 BB6310T1184

ITALIAN INTERIOR PLACARDS AND MARKINGS - LH CONSOLE  
 FIGURE 04 (SHEET 1)



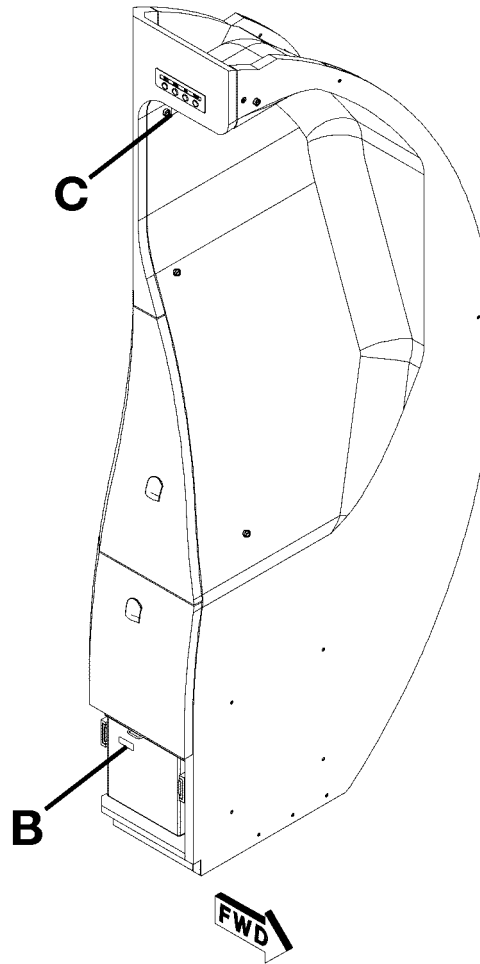
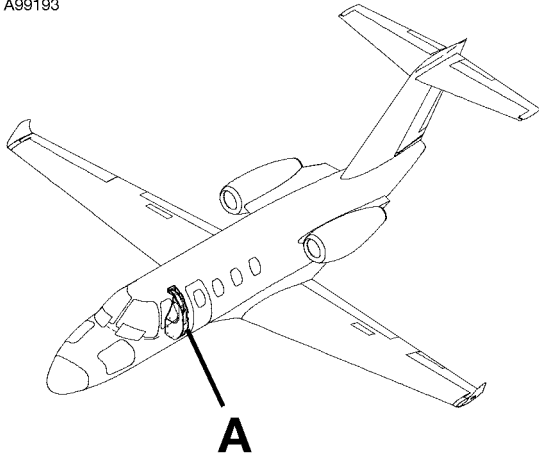
CESSNA®  
**MODEL 525 (SERIALS -0685 AND -0800 AND ON)**  
 ILLUSTRATED PARTS CATALOG

FIG ITEM	PART NUMBER	1 2 3 4 5 6 7	NOMENCLATURE	UNITS PER ASSY		
				0840	& ON	RF R
04			ITALIAN INTERIOR PLACARDS AND MARKINGS - LH CONSOLE			
-			. PLACARD-IRIDIUM ANTENNA . . . . .			01 R
1	4316002-35		. PLACARD-MAP LIGHT/PTT . . . . .			02 R
2	4316002-38					

- ITEM NOT ILLUSTRATED

CESSNA®  
MODEL 525 (SERIALS -0685 AND -0800 AND ON)  
ILLUSTRATED PARTS CATALOG

A99193



**STOW CURTAIN FOR  
TAXI, TAKEOFF, AND LANDING.**

2

▲ **DETAIL C**

**DETAIL A**

**CABIN BRIEFER  
PROGRAM LOAD PORT**

1

**DETAIL B**

▲ Required for Dispatch

ITALIAN INTERIOR PLACARDS AND MARKINGS - FLIGHT COMPARTMENT  
FIGURE 05 (SHEET 1)

6310T1168  
A4799505-1

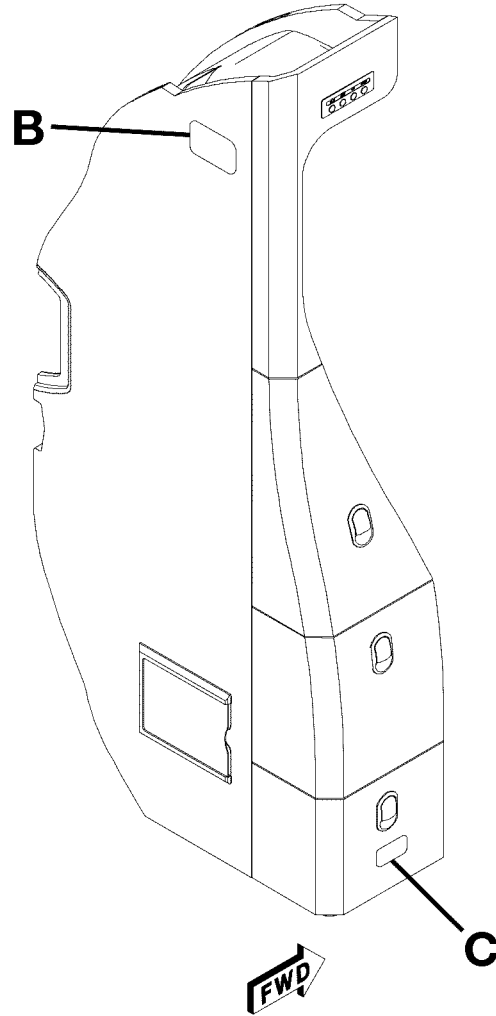
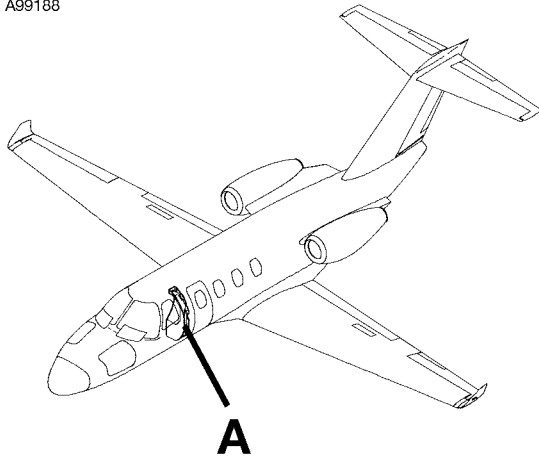
CESSNA®  
**MODEL 525 (SERIALS -0685 AND -0800 AND ON)**  
 ILLUSTRATED PARTS CATALOG

FIG ITEM	PART NUMBER	1 2 3 4 5 6 7	NOMENCLATURE	UNITS PER ASSY
05			ITALIAN INTERIOR PLACARDS AND MARKINGS - FLIGHT COMPARTMENT	0840 & ON RF R
-				
1	4316002-40		. PLACARD-CABIN BRIEFER PORT . . . . .	01 R
2	4316002-8		. PLACARD-CURTAIN INSTRUCTIONS . . . . .	01 R

- ITEM NOT ILLUSTRATED

CESSNA®  
**MODEL 525 (SERIALS -0685 AND -0800 AND ON)**  
ILLUSTRATED PARTS CATALOG

A99188



NON GETTARE SIGARETTE;  
IL RIVESTIMENTO INTERNO PER I  
RIFIUTI DEVE ESSERE METALLICO.

---

NO CIGARETTE DISPOSAL;  
METAL TRASH LINER REQUIRED.

2  
▲ **DETAIL C**

**DETAIL A**

CHIUDERE TUTTE LE PORTE DEI RIPOSTIGLI  
E I CASSETTI PER RULLAGGIO,  
DECOLLO E ATTERRAGGIO.

---

CLOSE ALL CABINET DOORS AND DRAWERS  
FOR TAXI, TAKEOFF, AND LANDING.

1  
▲ **DETAIL B**

▲ Required for Dispatch

6310T1168  
A4799505-1

ITALIAN INTERIOR PLACARDS AND MARKINGS - FORWARD CABIN  
FIGURE 01 (SHEET 1)

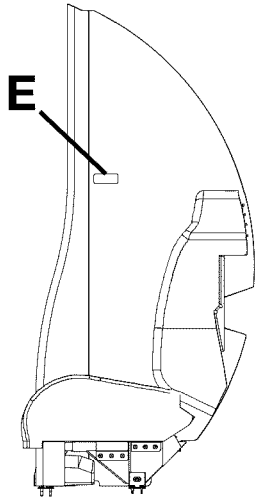
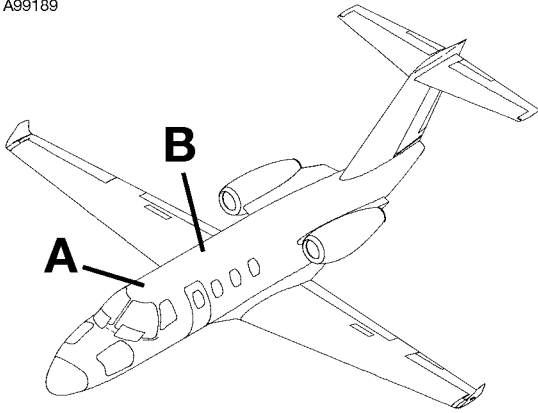
CESSNA®  
**MODEL 525 (SERIALS -0685 AND -0800 AND ON)**  
 ILLUSTRATED PARTS CATALOG

FIG ITEM	PART NUMBER	1 2 3 4 5 6 7	NOMENCLATURE	UNITS PER ASSY
01			ITALIAN INTERIOR PLACARDS AND MARKINGS - FORWARD CABIN	0840 & ON RF R
-				
1	4316021-27		. PLACARD-CABINET INSTRUCTIONS . . . . .	01 R
2	4316021-28		. PLACARD-TRASH CONTAINER WITH LINER . . . . .	01 R

- ITEM NOT ILLUSTRATED

CESSNA®  
**MODEL 525 (SERIALS -0685 AND -0800 AND ON)**  
 ILLUSTRATED PARTS CATALOG

A99189



VIEW B-B

ALLACCIARE LA CINTURA DI SICUREZZA A BRETELLE  
 PER RULLAGGIO, DECOLLO E ATTERRAGGIO.  
 IL GIUBBOTTO DI SALVATAGGIO SI  
 TROVA SOTTO IL SEDILE.  
 FASTEN SHOULDER HARNESS FOR  
 TAXI, TAKEOFF, AND LANDING.  
 LIFE VEST IN SEAT BASE.

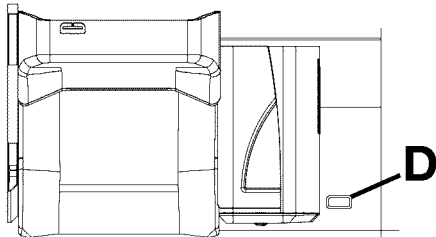
78

▲ **DETAIL E**

↑ INGRESSO  
 DELL'ARIA  
 NON BLOCCARE.  
 AIR INLET  
 DO NOT BLOCK. ↑

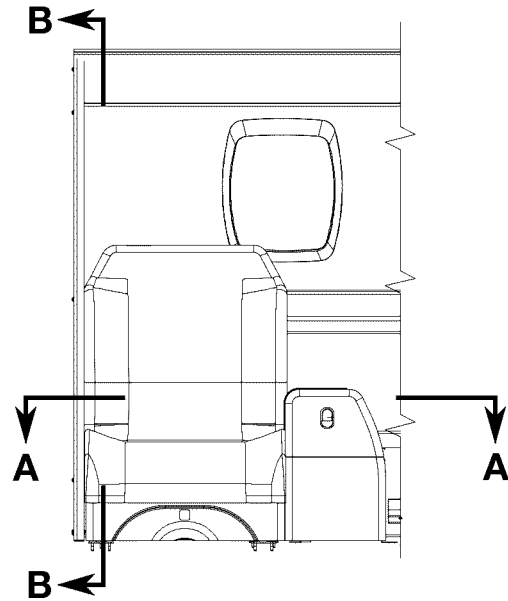
75

**DETAIL D**



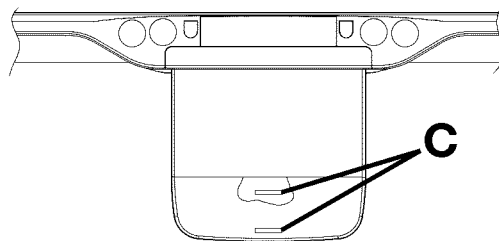
VIEW A-A

▲ Required for Dispatch



**DETAIL A**

Looking Outboard at Side Facing Seat



**DETAIL B**

Looking Down on Right Hand Side Deployed Table,  
 Left Hand Side Opposite

STIVARE PER RULLAGGIO, DECOLLO E ATTERRAGGIO.  
 STOW FOR TAXI, TAKEOFF, AND LANDING.

77

▲ **DETAIL C**

A6320T1021  
 BB6320T1021  
 AA6320T1021

ITALIAN INTERIOR PLACARDS AND MARKINGS - FORWARD CABIN  
 FIGURE 01 (SHEET 2)

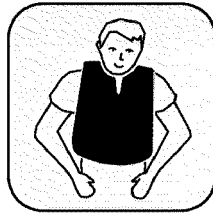
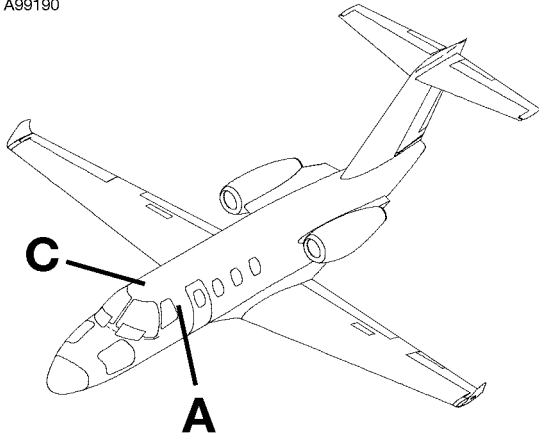
CESSNA®  
**MODEL 525 (SERIALS -0685 AND -0800 AND ON)**  
 ILLUSTRATED PARTS CATALOG

FIG ITEM	PART NUMBER	1 2 3 4 5 6 7	NOMENCLATURE	UNITS PER ASSY
01				
- 75	4316021-31	.	PLACARD-AIR INLET . . . . .	01 R
- 76	4717197-5	.	PLACARD-COVER (2.60 X 2.10) . . . . .	01 R
77	4316021-200	.	PLACARD-STOWAGE INSTRUCTIONS . . . . .	04 R
78	4316021-25	.	PLACARD-SIDE FACING SEAT W/O ARMREST . . . . .	01 R
- 79	4316021-26	.	PLACARD-SIDE FACING SEAT W/O ARMREST . . . . .	01 R

- ITEM NOT ILLUSTRATED

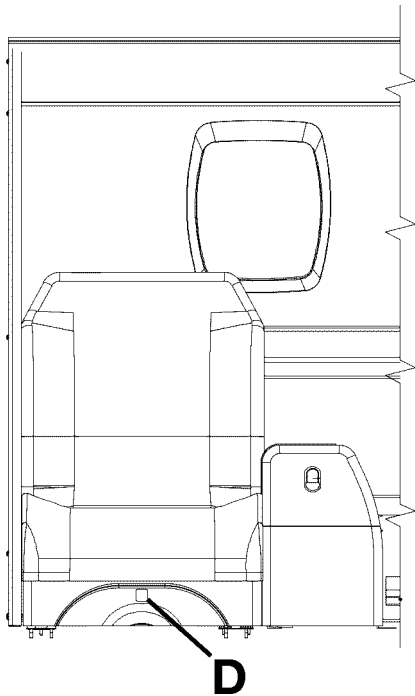
CESSNA®  
**MODEL 525 (SERIALS -0685 AND -0800 AND ON)**  
 ILLUSTRATED PARTS CATALOG

A99190



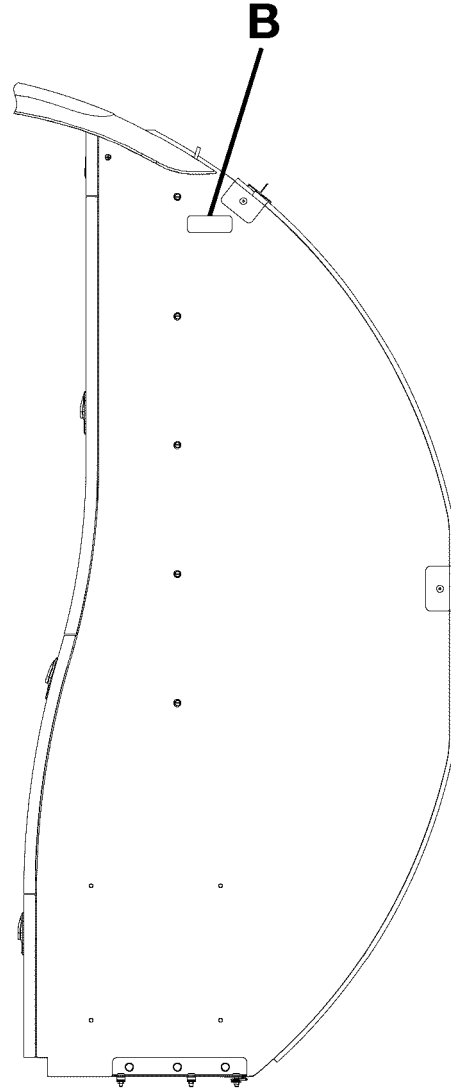
151

▲ **DETAIL D**



**DETAIL C**

Looking Outboard at Side Facing Seat



**DETAIL A**

View Looking Aft at Left Hand Side Forward Refreshment Center

**STOW CURTAIN FOR  
 TAXI, TAKEOFF, AND LANDING.**

150

▲ **DETAIL B**

▲ Required for Dispatch

6310T1168  
 A4711953-25

ITALIAN INTERIOR PLACARDS AND MARKINGS - FORWARD CABIN  
 FIGURE 01 (SHEET 3)



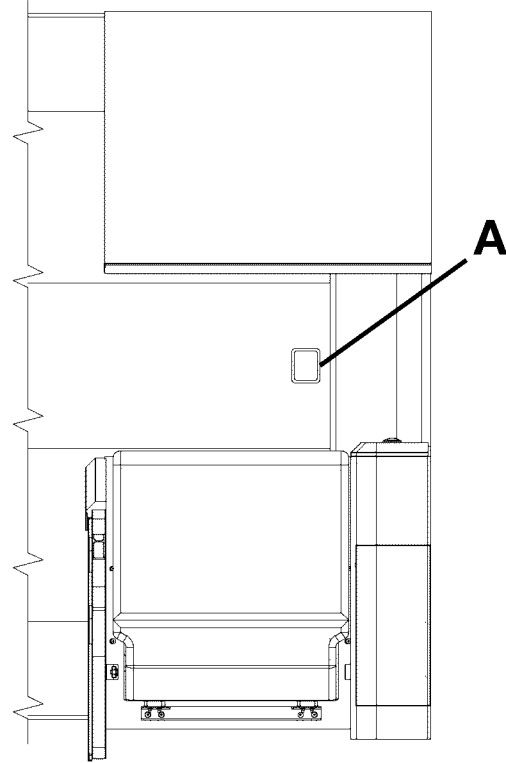
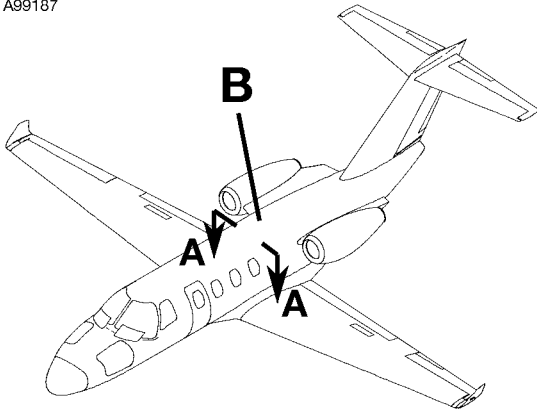
CESSNA®  
**MODEL 525 (SERIALS -0685 AND -0800 AND ON)**  
 ILLUSTRATED PARTS CATALOG

FIG ITEM	PART NUMBER	1 2 3 4 5 6 7	NOMENCLATURE	UNITS
				PER ASSY
01				
150	4316002-8		. PLACARD-CURTAIN INSTRUCTIONS .....	01 R
151	4316002-32		. PLACARD-LIFE VEST .....	01 R

- ITEM NOT ILLUSTRATED

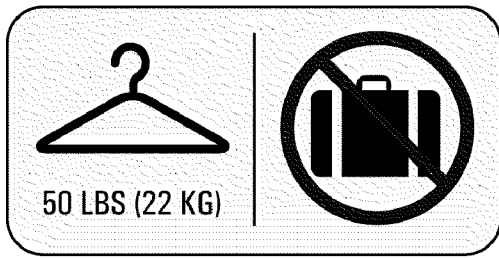
CESSNA®  
**MODEL 525 (SERIALS -0685 AND -0800 AND ON)**  
 ILLUSTRATED PARTS CATALOG

A99187



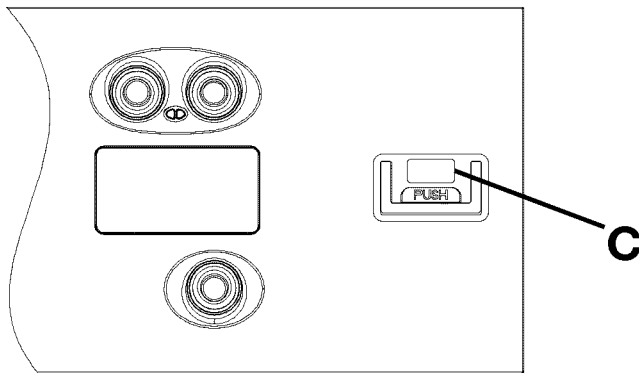
◀ FWD

VIEW A-A



3

▲ DETAIL C



DETAIL B



1

▲ DETAIL A

▲ Required for Dispatch

6310T1168  
 AA4711984-19  
 B4711953-20

ITALIAN INTERIOR PLACARDS AND MARKINGS - AFT CABIN  
 FIGURE 02 (SHEET 1)

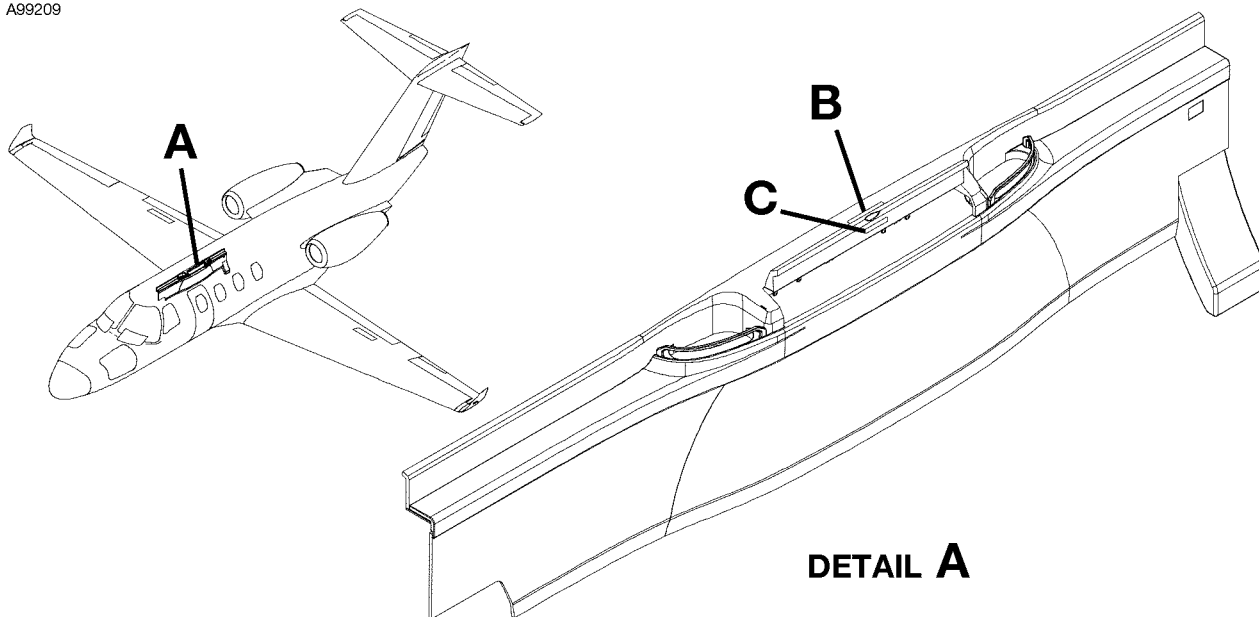
CESSNA®  
**MODEL 525 (SERIALS -0685 AND -0800 AND ON)**  
 ILLUSTRATED PARTS CATALOG

FIG ITEM	PART NUMBER	NOMENCLATURE	UNITS PER ASSY		
			1	2	3
02					
-		ITALIAN INTERIOR PLACARDS AND MARKINGS - AFT CABIN	0840	& ON	RF R
1	4316021-31	. PLACARD-AIR INLET . . . . .			01 R
2	4717197-5	. PLACARD-COVER (2.60 X 2.10) . . . . .			01 R
3	4316002-34	. PLACARD-COAT ROD WEIGHT ALLOWANCE (50LBS) . . . . .			01 R

- ITEM NOT ILLUSTRATED

CESSNA®  
**MODEL 525 (SERIALS -0685 AND -0800 AND ON)**  
 ILLUSTRATED PARTS CATALOG

A99209



PER RULLAGGIO, DECOLLO E ATTERRAGGIO: ELEVARE LA SCHIENA DEL SEDILE; POGGIATESTA ESTESO; SPOSTARE IL SEDILE ALLONTANANDOLO DAL TAVOLO E DOPO VERSO L'ESTERNO; ALLACCIARE LA CINTURA DI SICUREZZA A BRETELLE.  
 FOR TAXI, TAKEOFF, AND LANDING: RAISE SEAT BACK; EXTEND HEADREST; TRACK SEAT AWAY FROM TABLE THEN OUTBOARD; FASTEN SHOULDER HARNESS.

1  
 ▲ **DETAIL B**

STIVARE PER RULLAGGIO, DECOLLO E ATTERRAGGIO.  
 CLOSE LID FOR TAXI, TAKEOFF, AND LANDING.

4  
 ▲ **DETAIL C**

▲ Required for Dispatch

ITALIAN INTERIOR PLACARDS AND MARKINGS - CABIN SEATS  
 FIGURE 04 (SHEET 1)

6310T1168  
 A4790556-2

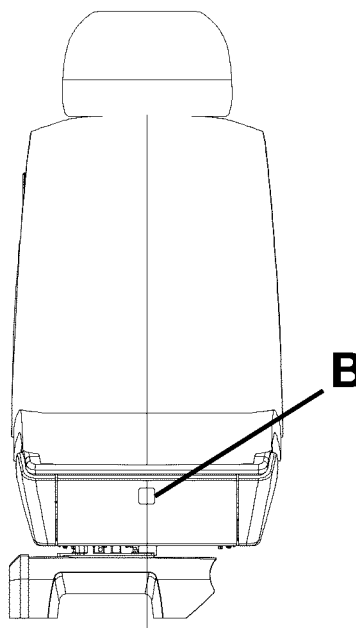
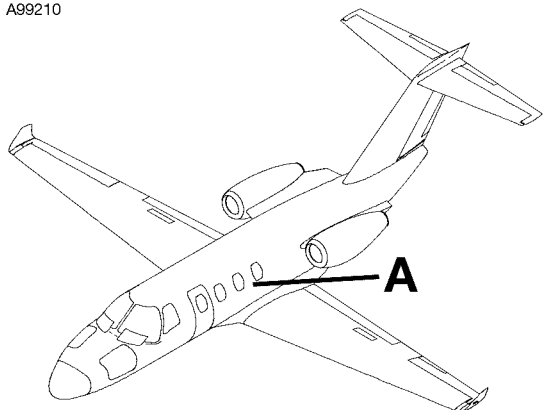
CESSNA®  
**MODEL 525 (SERIALS -0685 AND -0800 AND ON)**  
 ILLUSTRATED PARTS CATALOG

FIG ITEM	PART NUMBER	NOMENCLATURE	UNITS PER ASSY		
			1	2	3
04		ITALIAN INTERIOR PLACARDS AND MARKINGS - CABIN SEATS			
-			0840	& ON	RF R
- 1	4316021-17	. PLACARD-PASSENGER SEAT INSTRUCTIONS . . . . .			02 R
- 2	4316021-18	. PLACARD-PASSENGER SEAT INSTRUCTIONS . . . . .			02 R
- 3	4316002-39	. PLACARD-PASSENGER SEAT INSTRUCTIONS . . . . .			02 R
- 4	4316021-19	. PLACARD-TABLE LID INSTRUCTIONS . . . . .			02 R
- 5	4316002-28	. PLACARD-TABLE LID INSTRUCTIONS . . . . .			02 R

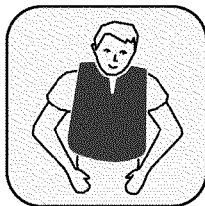
- ITEM NOT ILLUSTRATED

CESSNA®  
**MODEL 525 (SERIALS -0685 AND -0800 AND ON)**  
ILLUSTRATED PARTS CATALOG

A99210



**DETAIL A**  
View Looking Forward



75

▲ **DETAIL B**

▲ Required for Dispatch

6310T1168  
A4711953

ITALIAN INTERIOR PLACARDS AND MARKINGS - CABIN SEATS  
FIGURE 04 (SHEET 2)

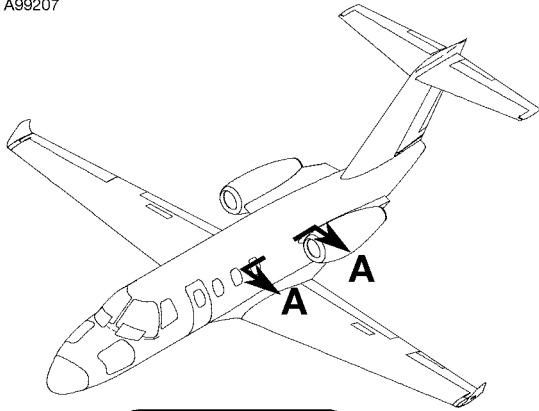
CESSNA®  
**MODEL 525 (SERIALS -0685 AND -0800 AND ON)**  
 ILLUSTRATED PARTS CATALOG

FIG ITEM	PART NUMBER	1 2 3 4 5 6 7	NOMENCLATURE	UNITS PER ASSY
04 75	4316002-32		. PLACARD-LIFE VEST . . . . .	01 R

- ITEM NOT ILLUSTRATED

CESSNA®  
**MODEL 525 (SERIALS -0685 AND -0800 AND ON)**  
 ILLUSTRATED PARTS CATALOG

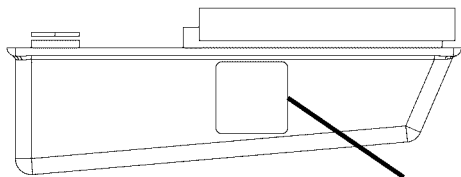
A99207



**TOILET CHEMICAL IS CORROSIVE. USE EXTREME CARE TO PREVENT SPILLAGE. FOLLOW SERVICING INSTRUCTIONS CAREFULLY. CLEAN ANY SPILLAGE IMMEDIATELY AND REPORT IT TO THE CREW.**

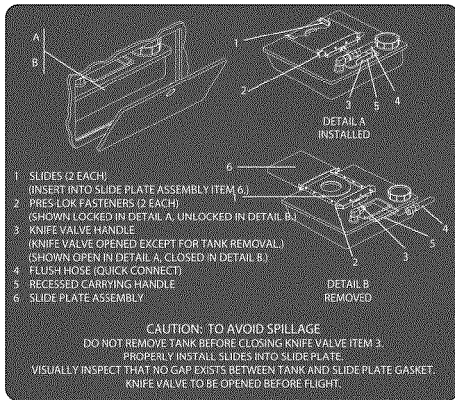
1

**DETAIL C**



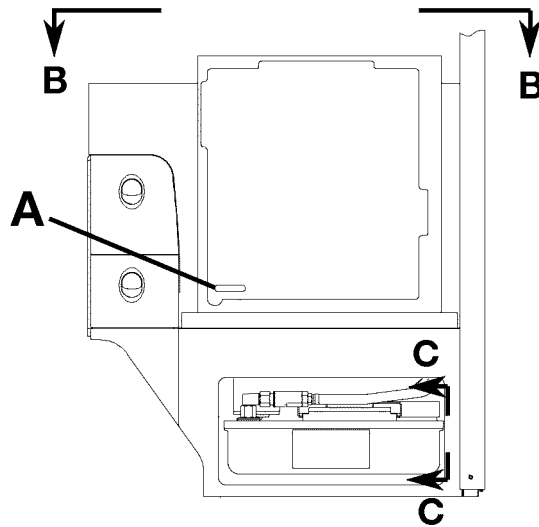
**VIEW C-C**

**C**



2

**DETAIL B**

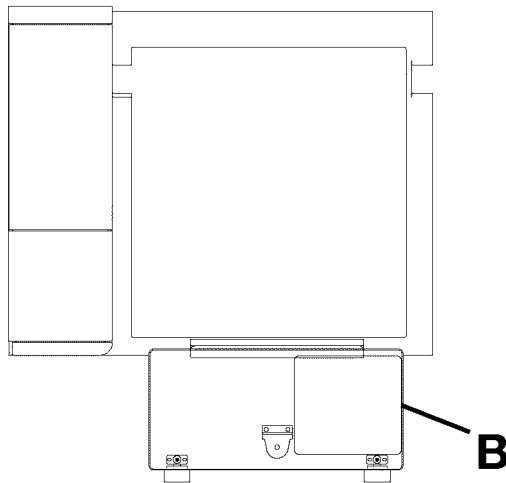


**VIEW A-A**

**PREMERE PER SCIACQUARE**

3

**DETAIL A**



**VIEW B-B**

**B**

6310T1168  
 A4711984-1  
 BB4711984-1  
 CC4711984-1

ITALIAN INTERIOR PLACARDS AND MARKINGS - LAVATORY  
 FIGURE 01 (SHEET 1)



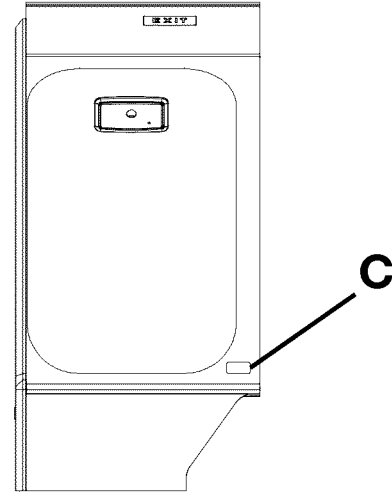
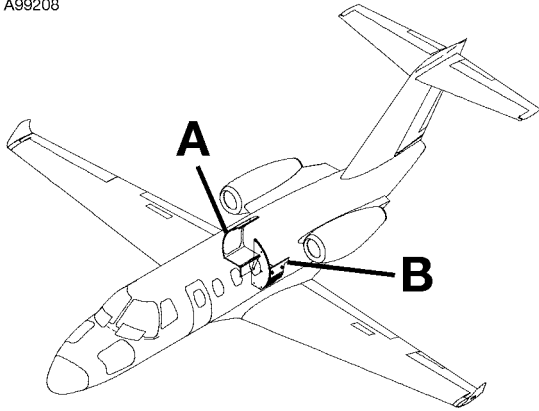
CESSNA®  
**MODEL 525 (SERIALS -0685 AND -0800 AND ON)**  
 ILLUSTRATED PARTS CATALOG

FIG ITEM	PART NUMBER	1 2 3 4 5 6 7	NOMENCLATURE	UNITS PER ASSY
01				
-			ITALIAN INTERIOR PLACARDS AND MARKINGS - LAVATORY	0840 & ON RF R
1	4316002-30		. PLACARD-TOILET CARE . . . . .	01 R
2	4316002-36		. PLACARD-TOILET SERVICING . . . . .	01 R
3	4316021-16		. PLACARD-PRESS TO FLUSH . . . . .	01 R

- ITEM NOT ILLUSTRATED

CESSNA®  
**MODEL 525 (SERIALS -0685 AND -0800 AND ON)**  
 ILLUSTRATED PARTS CATALOG

A99208



80

▲ **DETAIL E**

**DETAIL A**

View Looking Outboard at  
Escape Hatch

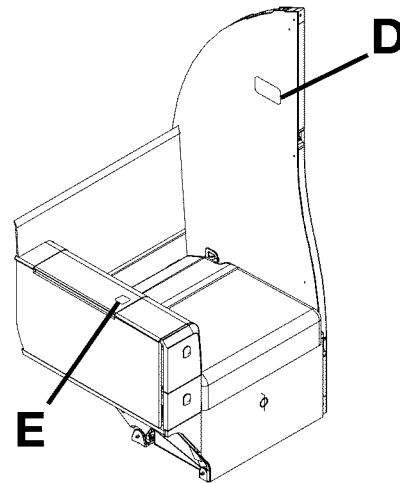
PER RULLAGGIO, DECOLLO E ATTERRAGGIO:  
 STIVARE LA TENDINA;  
 CHIUDERE TUTTE LE PORTE DEI RIPOSTIGLI E I CASSETTI;  
 ALLACCIARE LA CINTURA DI SICUREZZA A BRETELLE.

---

FOR TAXI, TAKEOFF, AND LANDING:  
 STOW CURTAIN;  
 CLOSE ALL CABINET DOORS AND DRAWERS;  
 FASTEN SHOULDER HARNESS.

77

▲ **DETAIL D**



PER RULLAGGIO, DECOLLO E ATTERRAGGIO:  
 SBLOCCARE LE PORTE SCORREVOLI;  
 CHIUDERE TUTTE LE PORTE DEI RIPOSTIGLI E I CASSETTI;  
 ALLACCIARE LA CINTURA DI SICUREZZA A BRETELLE.

---

FOR TAXI, TAKEOFF, AND LANDING:  
 LATCH SLIDING DOORS OPEN;  
 CLOSE ALL CABINET DOORS AND DRAWERS;  
 FASTEN SHOULDER HARNESS.

75

▲ **DETAIL D**



79

▲ **DETAIL C**



**DETAIL B**

▲ Required for Dispatch

6310T1168  
 A4711953-18  
 B4799511-1

ITALIAN INTERIOR PLACARDS AND MARKINGS - LAVATORY  
 FIGURE 01 (SHEET 2)

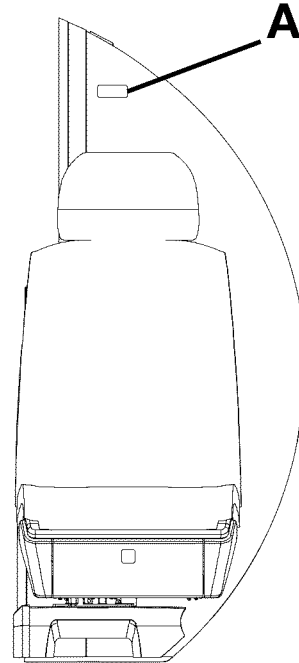
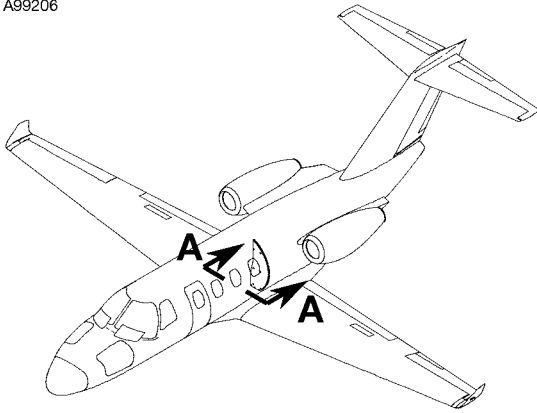
CESSNA®  
**MODEL 525 (SERIALS -0685 AND -0800 AND ON)**  
 ILLUSTRATED PARTS CATALOG

FIG ITEM	PART NUMBER	NOMENCLATURE	UNITS PER ASSY
	1 2 3 4 5 6 7		
01			
75	4316021-32	. PLACARD-LH BELTED TOILET (DOOR) . . . . .	01 R
- 76	4316021-36	. PLACARD-LH BELTED TOILET (DOOR) . . . . .	01 R
77	4316021-23	. PLACARD-LH BELTED TOILET (CURTAIN) . . . . .	01 R
- 78	4316021-24	. PLACARD-LH BELTED TOILET (CURTAIN) . . . . .	01 R
79	4316002-33	. PLACARD-NO BAGGAGE/NO SMOKING . . . . .	01 R
80	4316002-32	. PLACARD-LIFE VEST . . . . .	01 R

- ITEM NOT ILLUSTRATED

CESSNA®  
**MODEL 525 (SERIALS -0685 AND -0800 AND ON)**  
 ILLUSTRATED PARTS CATALOG

A99206



**VIEW A-A**

VIETATO FUMARE NELLA TOILETTE.  
 STIVARE LA TENDINA  
 PER RULLAGGIO, DECOLLO E ATTERRAGGIO.

---

NO SMOKING IN LAVATORY.  
 STOW CURTAIN  
 FOR TAXI, TAKEOFF, AND LANDING.

**2**  
 ▲ **DETAIL A**

VIETATO FUMARE NELLA TOILETTE.  
 SBLOCCARE LE PORTE SCORREVOLI PER  
 RULLAGGIO, DECOLLO E ATTERRAGGIO.

---

NO SMOKING IN LAVATORY.  
 LATCH SLIDING DOORS OPEN  
 FOR TAXI, TAKEOFF, AND LANDING.

**1**  
 ▲ **DETAIL A**

▲ Required for Dispatch

6310T1168  
 A6319T1649

ITALIAN INTERIOR PLACARDS AND MARKINGS - DIVIDERS  
 FIGURE 02 (SHEET 1)

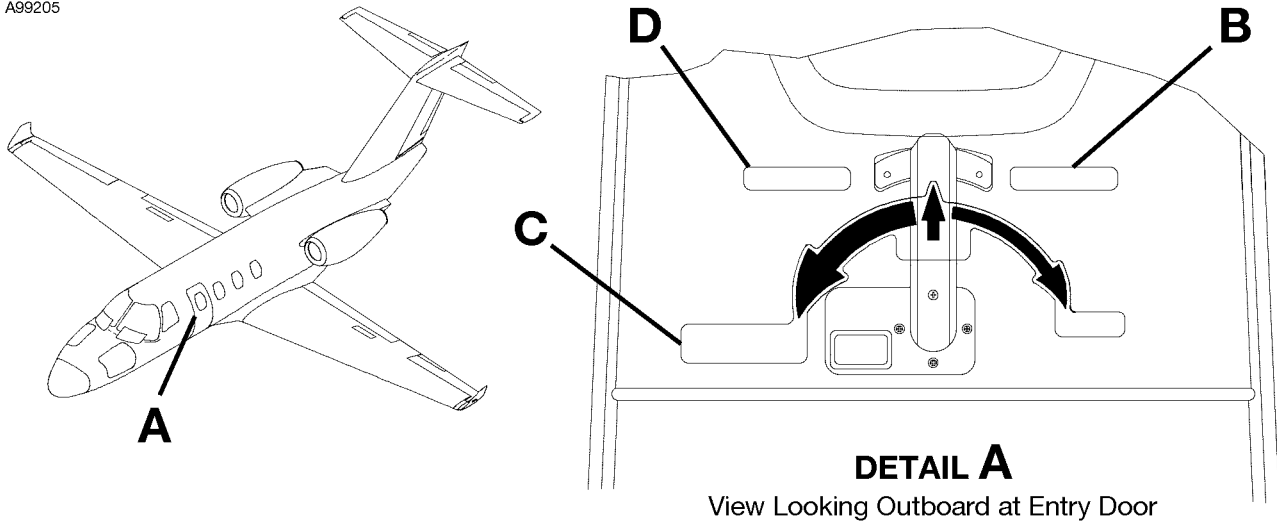
CESSNA®  
**MODEL 525 (SERIALS -0685 AND -0800 AND ON)**  
 ILLUSTRATED PARTS CATALOG

FIG ITEM	PART NUMBER	1 2 3 4 5 6 7	NOMENCLATURE	UNITS PER ASSY		
02			ITALIAN INTERIOR PLACARDS AND MARKINGS - DIVIDERS	0840	& ON	RF R
-			. PLACARD-AFT CABIN INSTRUCTIONS (DOOR) . . . . .			01 R
1	4316021-33		. PLACARD-AFT CABIN INSTRUCTIONS (CURTAIN ) . . . . .			01 R
2	4316021-34					

- ITEM NOT ILLUSTRATED

CESSNA®  
MODEL 525 (SERIALS -0685 AND -0800 AND ON)  
ILLUSTRATED PARTS CATALOG

A99205



**PER RILASCIARE: PREMERE IL PULSANTE,  
TIRARE LA LEVETTA SULLA MANIGLIA.**

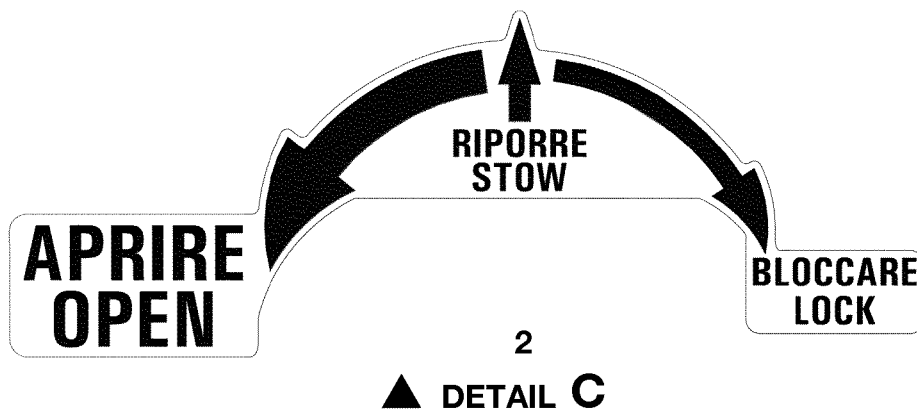
3

▲ **DETAIL D**

**TO RELEASE: PUSH BUTTON,  
PULL TRIGGER ON HANDLE.**

1

▲ **DETAIL B**



▲ Required for Dispatch

6310T1168  
A6319T1645

ITALIAN INTERIOR PLACARDS AND MARKINGS - CABIN DOOR  
FIGURE 01 (SHEET 1)

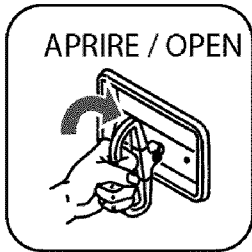
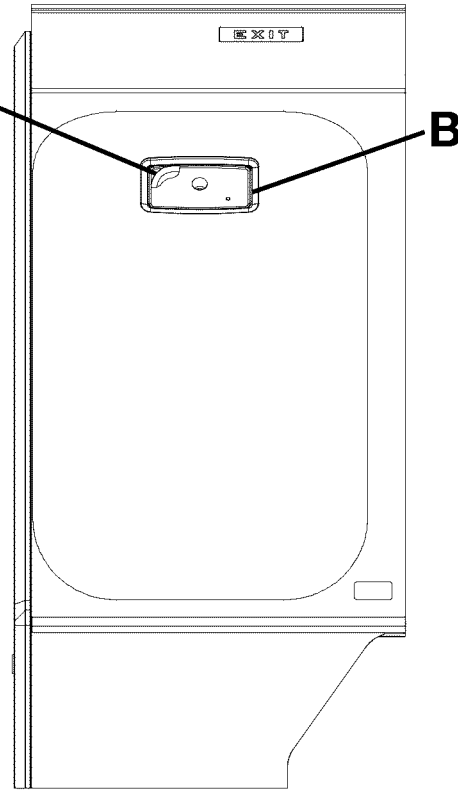
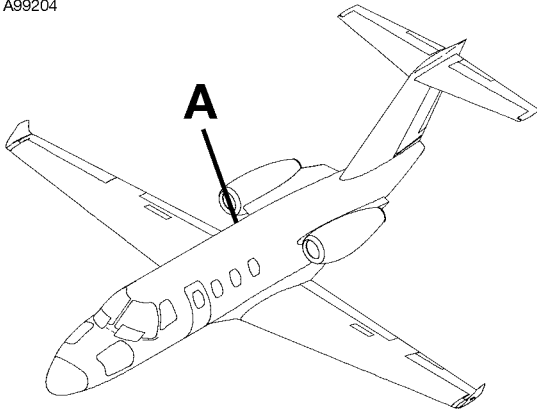
CESSNA®  
**MODEL 525 (SERIALS -0685 AND -0800 AND ON)**  
 ILLUSTRATED PARTS CATALOG

FIG ITEM	PART NUMBER	NOMENCLATURE	UNITS PER ASSY		
			1	2	3
01					
-		ITALIAN INTERIOR PLACARDS AND MARKINGS - CABIN DOOR	0840	& ON	RF R
1	4316002-19	. DECAL-CABIN DOOR HANDLE INSTRUCTIONS .....			01 R
2	4316021-29	. DECAL-CABIN DOOR INSTRUCTIONS .....			01 R
3	4316021-30	. DECAL-CABIN DOOR HANDLE INSTRUCTIONS .....			01 R

- ITEM NOT ILLUSTRATED

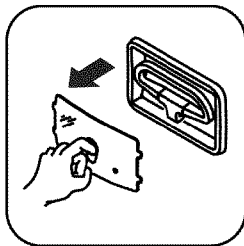
CESSNA®  
**MODEL 525 (SERIALS -0685 AND -0800 AND ON)**  
 ILLUSTRATED PARTS CATALOG

A99204



2

▲ **DETAIL E**



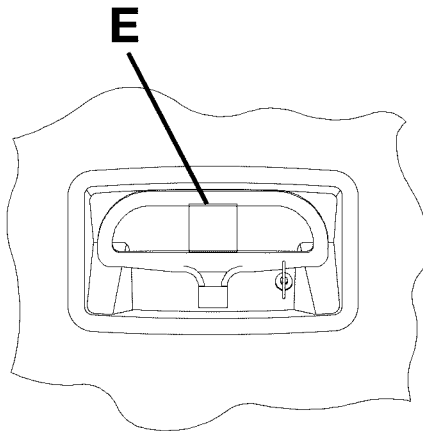
1

▲ **DETAIL D**

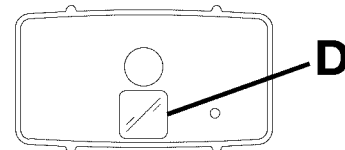
◀ **FWD**

**DETAIL A**

View Looking Outboard



**DETAIL C**



**DETAIL B**

▲ Required for Dispatch

ITALIAN INTERIOR PLACARDS AND MARKINGS - ESCAPE HATCH  
 FIGURE 02 (SHEET 1)

6310T1168  
 A6310T1180  
 B6310T1180  
 C6310T1180



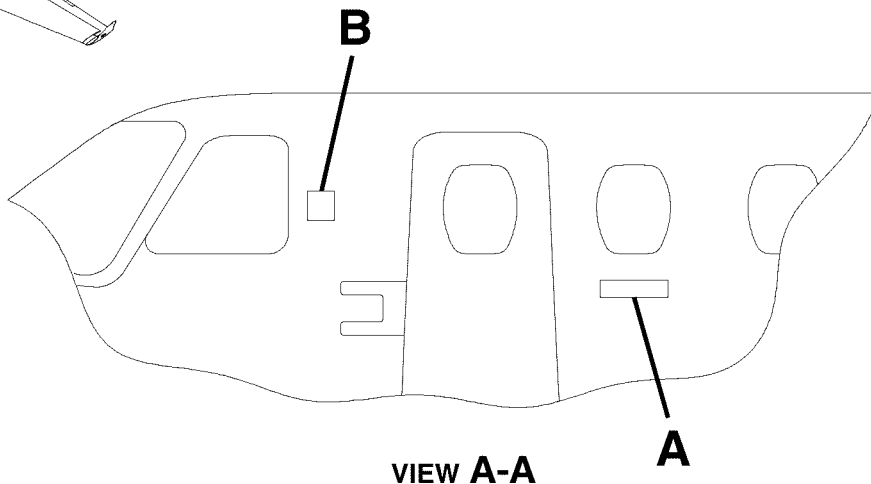
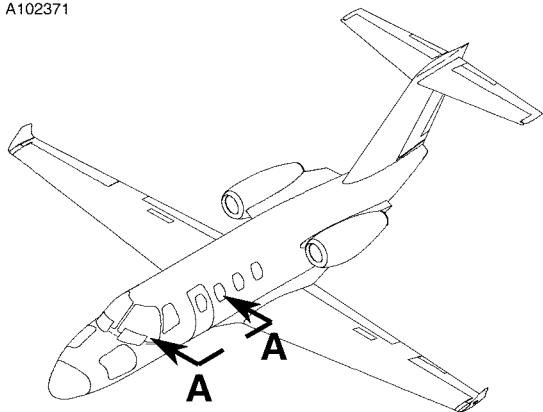
CESSNA®  
**MODEL 525 (SERIALS -0685 AND -0800 AND ON)**  
 ILLUSTRATED PARTS CATALOG

FIG ITEM	PART NUMBER	1 2 3 4 5 6 7	NOMENCLATURE	UNITS PER ASSY		
02			ITALIAN INTERIOR PLACARDS AND MARKINGS - ESCAPE HATCH	0840	& ON	RF R
-			. PLACARD-ESCAPE HATCH COVER INSTRUCTION . . . . .			01 R
1	4316002-26		. PLACARD-ESCAPE HATCH HANDLE INSTRUCTIONS . . . . .			01 R
2	4316021-35					

- ITEM NOT ILLUSTRATED

CESSNA®  
MODEL 525 (SERIALS -0685 AND -0800 AND ON)  
ILLUSTRATED PARTS CATALOG

A102371



3  
DETAIL B

CITATION  
M2

1  
DETAIL A

6310T1168  
AA6314T1174

JAPANESE EXTERIOR PLACARDS AND MARKINGS - FUSELAGE  
FIGURE 02 (SHEET 1)

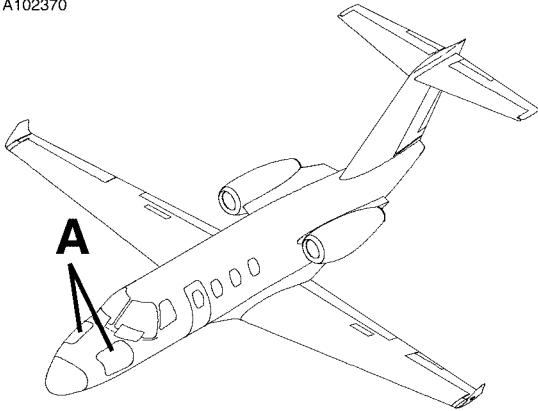
CESSNA®  
**MODEL 525 (SERIALS -0685 AND -0800 AND ON)**  
 ILLUSTRATED PARTS CATALOG

FIG ITEM	PART NUMBER	NOMENCLATURE	UNITS PER ASSY
	1 2 3 4 5 6 7		
02		JAPANESE EXTERIOR PLACARDS AND MARKINGS - FUSELAGE	0824 & ON RF R
-			
- 1	4416001-32	. DECAL-M2 INSIGNIA . . . . .	02 R
- 2	4416001-31	. PAINTMASK-M2 INSIGNIA . . . . .	01 R
- 3	6505010-124	. DECAL-CESSNA LOGO . . . . .	02 R
- 4	6505010-123	. PAINTMASK-CESSNA LOGO . . . . .	01 R

- ITEM NOT ILLUSTRATED

CESSNA®  
**MODEL 525 (SERIALS -0685 AND -0800 AND ON)**  
ILLUSTRATED PARTS CATALOG

A102370



最大荷物積載量 181 KG (400 LBS)  
最大床面荷重 170 KG/M<sup>2</sup> (35 LBS/FT<sup>2</sup>)

重量重心データは飛行規程を参照

---

MAXIMUM WEIGHT ALLOWANCE  
400 LBS (181 KG).  
MAXIMUM FLOOR LOADING  
35 LBS/FT<sup>2</sup> (170 KG/M<sup>2</sup>).  
SEE AFM FOR WEIGHT AND BALANCE DATA.

1

▲ **DETAIL A**

▲ Required for Dispatch

JAPANESE EXTERIOR PLACARDS AND MARKINGS - NOSE BAGGAGE  
FIGURE 01 (SHEET 1)

6310T1168

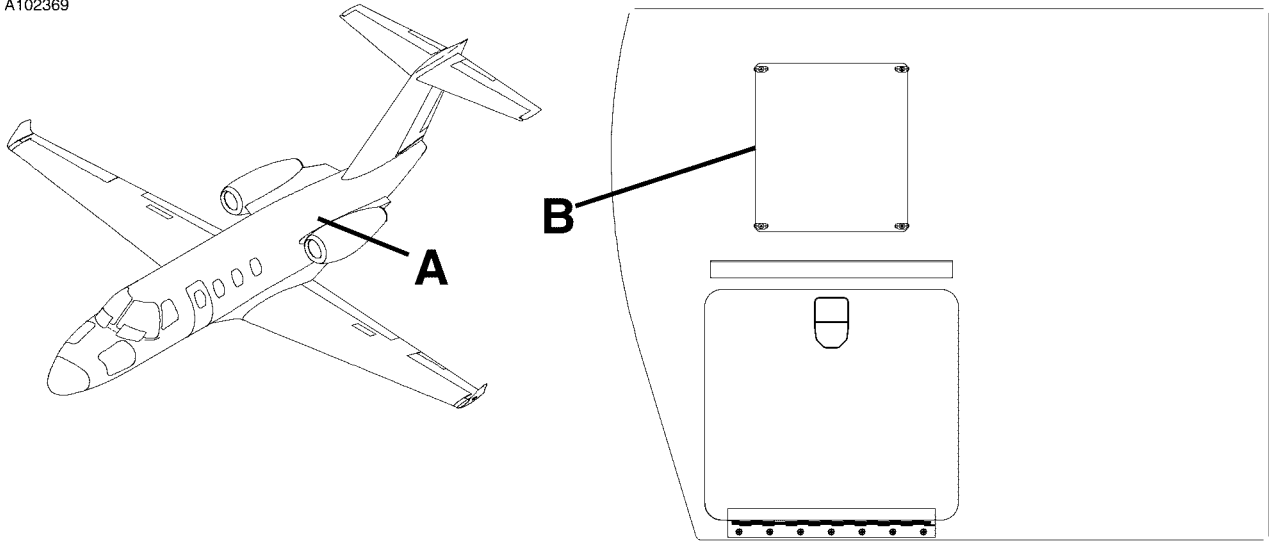
CESSNA®  
**MODEL 525 (SERIALS -0685 AND -0800 AND ON)**  
 ILLUSTRATED PARTS CATALOG

FIG ITEM	PART NUMBER	1 2 3 4 5 6 7	NOMENCLATURE	UNITS PER ASSY		
01			JAPANESE EXTERIOR PLACARDS AND MARKINGS - NOSE BAGGAGE	0824	& ON	RF R
-			. PHOTOPLACARD-NOSE BAGGAGE . . . . .			02 R
1	4416138-161					

- ITEM NOT ILLUSTRATED

CESSNA®  
MODEL 525 (SERIALS -0685 AND -0800 AND ON)  
ILLUSTRATED PARTS CATALOG

A102369



DETAIL A

最大荷物積載量  
147 KG (325 LBS)  
最大床面荷重  
488 KG/M<sup>2</sup> (100 LBS/FT<sup>2</sup>)  
重量重心データは飛行規程を参照  
カーゴ・ネットで荷物を固縛すること。  
飛行前にすべてのドアをラッチすること。

MAXIMUM WEIGHT ALLOWANCE  
325 LBS (147 KG).  
MAXIMUM FLOOR LOADING  
100 LBS/FT<sup>2</sup> (488 KG/M<sup>2</sup>).  
SEE AFM FOR WEIGHT AND BALANCE DATA.  
SECURE BAGGAGE WITH CARGO NET.  
LATCH ALL DOORS PRIOR TO FLIGHT.

1

▲ DETAIL B

▲ Required for Dispatch

JAPANESE EXTERIOR PLACARDS AND MARKINGS - AFT BAGGAGE  
FIGURE 02 (SHEET 1)

6310T1168  
A4711991-5

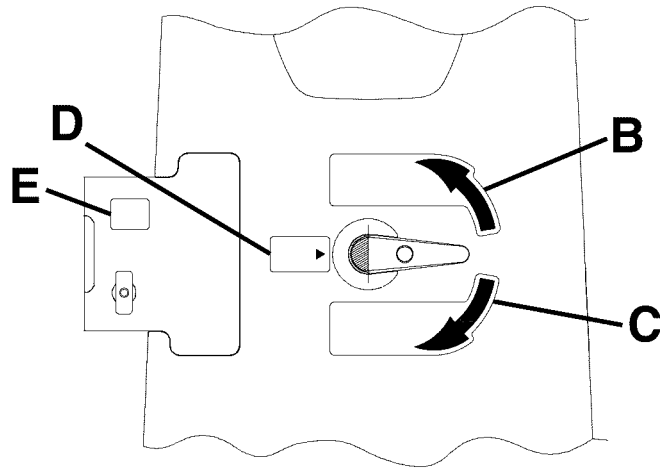
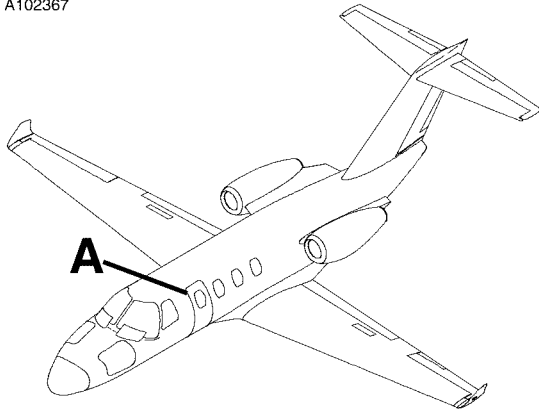
CESSNA®  
**MODEL 525 (SERIALS -0685 AND -0800 AND ON)**  
 ILLUSTRATED PARTS CATALOG

FIG ITEM	PART NUMBER	NOMENCLATURE	UNITS	
			PER	ASSY
02				
-		JAPANESE EXTERIOR PLACARDS AND MARKINGS - AFT BAGGAGE	0824	& ON RF R
1	4416138-199	. PHOTOPLACARD-TAILCONE BAGGAGE WEIGHT . . . . .		01 R
		ATTACHING PARTS		
- 2	MS35214-14	. SCREW . . . . .		04 R
- 3	MS21069L04	. NUTPLATE . . . . .		04 R
		—*—		

- ITEM NOT ILLUSTRATED

CESSNA®  
**MODEL 525 (SERIALS -0685 AND -0800 AND ON)**  
 ILLUSTRATED PARTS CATALOG

A102367

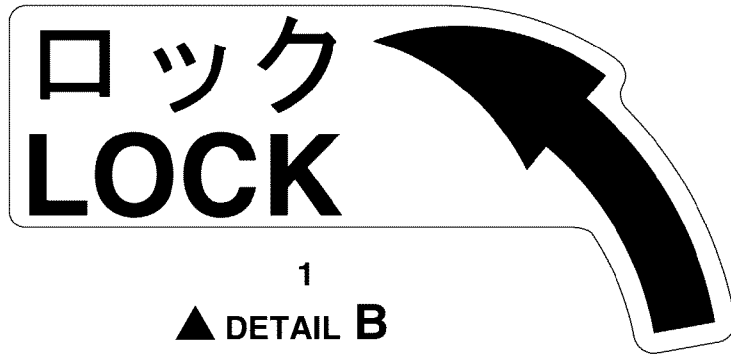


DETAIL A

**DOOR CATCH  
 RELEASE INSIDE  
 BEHIND THIS  
 PLACARD. RAISE  
 STEPS BEFORE  
 CLOSING DOOR.**

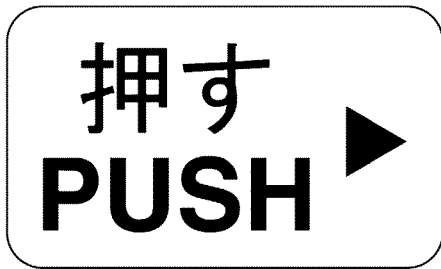
4

DETAIL E



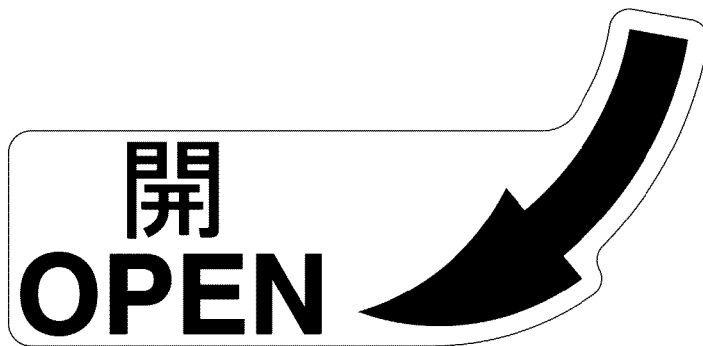
1

▲ DETAIL B



3

▲ DETAIL D



2

▲ DETAIL C

▲ Required for Dispatch

6310T1168  
 A4711991-5

JAPANESE EXTERIOR PLACARDS AND MARKINGS - CABIN DOOR  
 FIGURE 01 (SHEET 1)



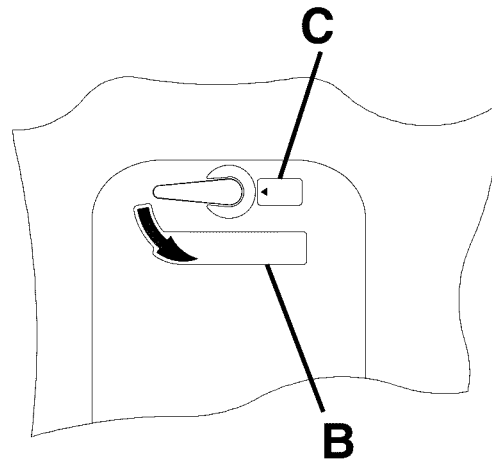
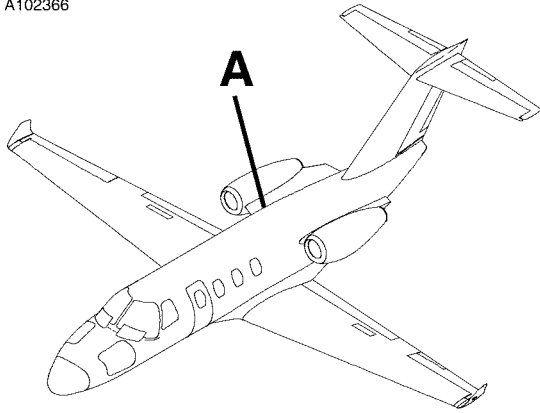
CESSNA®  
**MODEL 525 (SERIALS -0685 AND -0800 AND ON)**  
 ILLUSTRATED PARTS CATALOG

FIG ITEM	PART NUMBER	NOMENCLATURE	UNITS	
			PER	ASSY
01				
-		JAPANESE EXTERIOR PLACARDS AND MARKINGS - CABIN DOOR	0824	& ON RF R
1	4416138-151	. DECAL-CABIN DOOR (LOCK) .....		01 R
2	4416138-9	. DECAL-CABIN DOOR (OPEN) .....		01 R
3	4416138-7	. DECAL-CABIN DOOR (PUSH) .....		01 R
4	4416000-172	. PLACARD-PRECATCH HANDLE .....		01 R

- ITEM NOT ILLUSTRATED

CESSNA®  
**MODEL 525 (SERIALS -0685 AND -0800 AND ON)**  
 ILLUSTRATED PARTS CATALOG

A102366



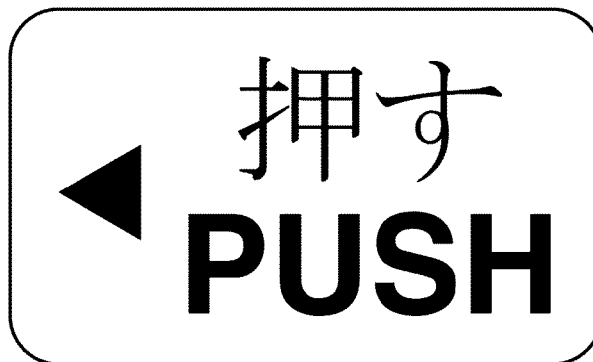
**DETAIL A**

View Looking Inboard Right Side



1

▲ **DETAIL B**



2

▲ **DETAIL C**

▲ Required for Dispatch

6310T1168  
 A4711991-2

JAPANESE EXTERIOR PLACARDS AND MARKINGS - ESCAPE HATCH  
 FIGURE 02 (SHEET 1)

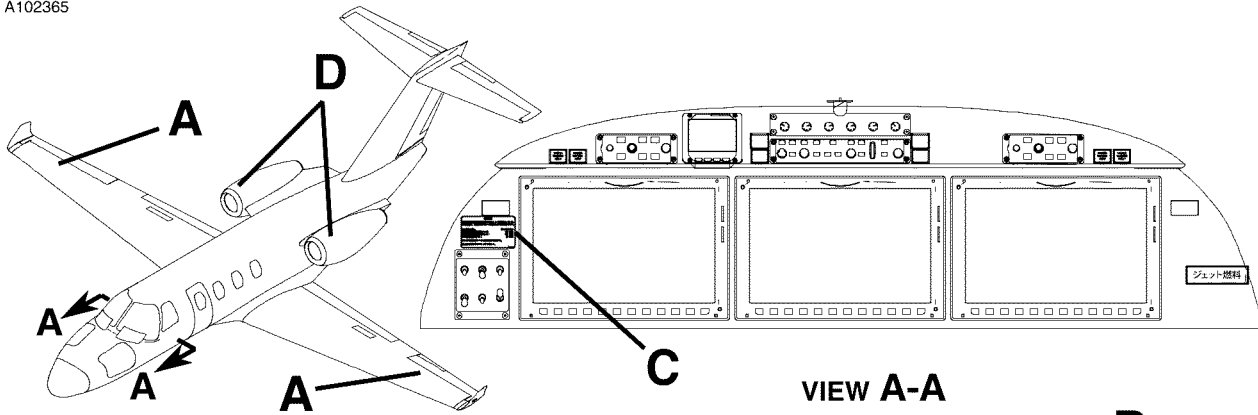
CESSNA®  
**MODEL 525 (SERIALS -0685 AND -0800 AND ON)**  
 ILLUSTRATED PARTS CATALOG

FIG ITEM	PART NUMBER	1 2 3 4 5 6 7	NOMENCLATURE	UNITS PER ASSY		
				0824	& ON	RF R
02			JAPANESE EXTERIOR PLACARDS AND MARKINGS - ESCAPE HATCH			
-						
1	4416138-1		. DECAL-ESCAPE HATCH (OPEN) . . . . .			01 R
2	4416138-4		. DECAL-ESCAPE HATCH (PUSH) . . . . .			01 R

- ITEM NOT ILLUSTRATED

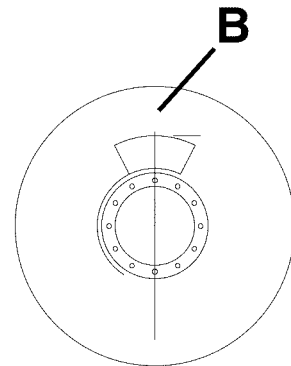
CESSNA®  
**MODEL 525 (SERIALS -0685 AND -0800 AND ON)**  
 ILLUSTRATED PARTS CATALOG

A102365



3

DETAIL E



DETAIL A

Typical



2

DETAIL B

滑油

**運用限界**

本飛行機は耐空類別飛行機普通Nとして承認されている。  
 本飛行機は、飛行規程に従って飛行しなければならない。

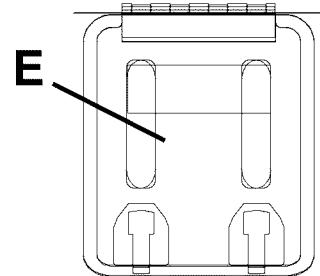
設計運動速度：	飛行規程参照
最大着陸装置操作速度(下げ)：	186 KIAS
最大着陸装置操作速度(上げ)：	175 KIAS
最小操縦速度(空中)：	86 KIAS

きりもみを含むすべての曲技飛行を禁ずる。  
 着陸前は差圧ゼロになっていること。

S4195-5

1

DETAIL C



DETAIL D

Typical

JAPANESE INTERIOR PLACARDS AND MARKINGS - INSTRUMENT PANEL  
 FIGURE 01 (SHEET 1)

6310T1168

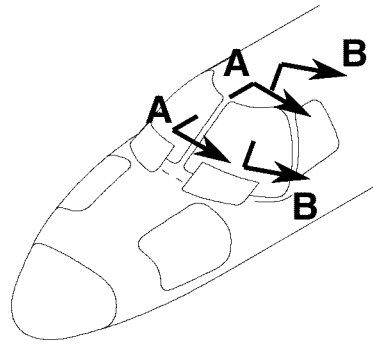
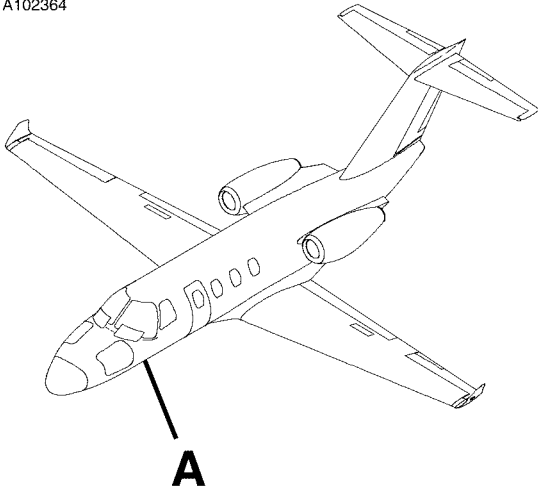
CESSNA®  
**MODEL 525 (SERIALS -0685 AND -0800 AND ON)**  
 ILLUSTRATED PARTS CATALOG

FIG ITEM	PART NUMBER	1 2 3 4 5 6 7	NOMENCLATURE	UNITS PER ASSY
01			JAPANESE INTERIOR PLACARDS AND MARKINGS - INSTRUMENT PANEL	0824 & ON RF R
-				
1	S4195-5		. PLACARD-SPEED & OPS (JPN) . . . . .	01 R
2	S4196-1		. PLACARD-FUEL CAP (JAP) . . . . .	02 R
3	S4197-1		. PLACARD-ENG OIL (JAP) . . . . .	02 R

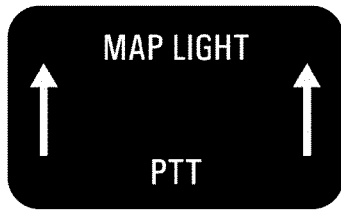
- ITEM NOT ILLUSTRATED

CESSNA®  
**MODEL 525 (SERIALS -0685 AND -0800 AND ON)**  
 ILLUSTRATED PARTS CATALOG

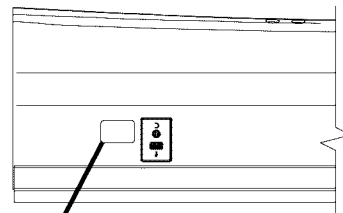
A102364



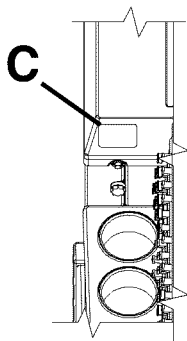
**DETAIL A**



**2**  
**DETAIL C**

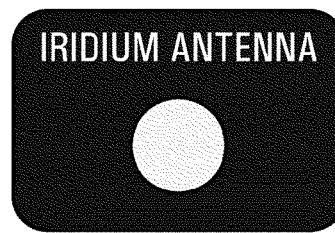


**B**  
 VIEW A-A



**VIEW B-B**

View Looking at Left Hand Side Console



**1**  
**DETAIL B**

6310T1168  
 B6310T1168  
 AA6310T1182  
 BB6310T1183  
 CC6310T1184

JAPANESE INTERIOR PLACARDS AND MARKINGS - LH CONSOLE  
 FIGURE 04 (SHEET 1)

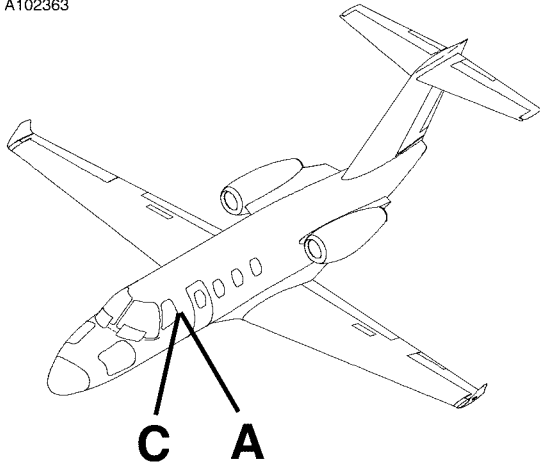
CESSNA®  
**MODEL 525 (SERIALS -0685 AND -0800 AND ON)**  
 ILLUSTRATED PARTS CATALOG

FIG ITEM	PART NUMBER	NOMENCLATURE	UNITS PER ASSY	
			1 2 3 4 5 6 7	
04				
-		JAPANESE INTERIOR PLACARDS AND MARKINGS - LH CONSOLE	0824	& ON RF R
1	4316002-35	. PLACARD-IRIDIUM ANTENNA . . . . .		01 R
2	4316002-38	. PLACARD-MAP LIGHT . . . . .		02 R

- ITEM NOT ILLUSTRATED

CESSNA®  
**MODEL 525 (SERIALS -0685 AND -0800 AND ON)**  
 ILLUSTRATED PARTS CATALOG

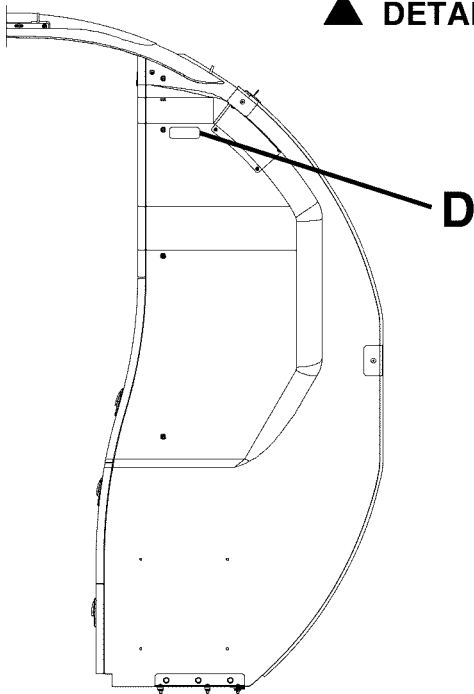
A102363



STOW CURTAIN FOR  
 TAXI, TAKEOFF, AND LANDING.

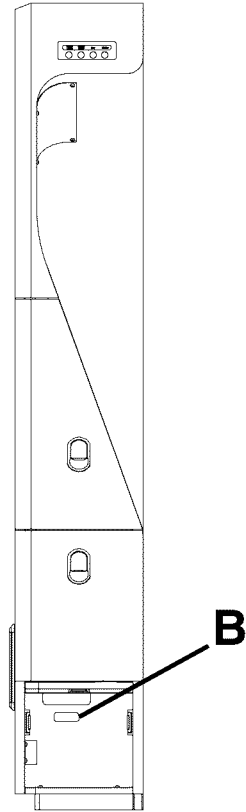
2

▲ **DETAIL D**



**DETAIL C**

Looking Aft at Left Hand Cabinet Assembly



**DETAIL A**

CABIN BRIEFER  
 PROGRAM LOAD PORT

1

**DETAIL B**

▲ Required for Dispatch

JAPANESE INTERIOR PLACARDS AND MARKINGS - FLIGHT COMPARTMENT  
 FIGURE 05 (SHEET 1)

6310T1168  
 A471T1953  
 C471T1953



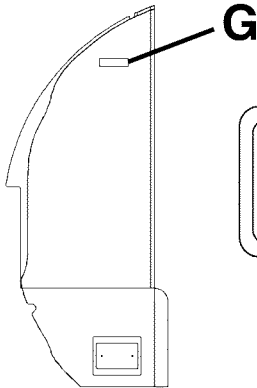
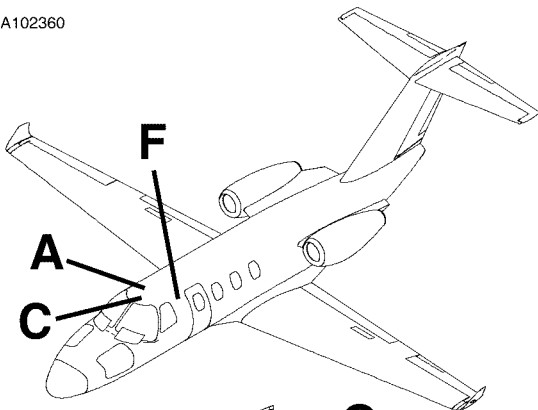
CESSNA®  
**MODEL 525 (SERIALS -0685 AND -0800 AND ON)**  
 ILLUSTRATED PARTS CATALOG

FIG ITEM	PART NUMBER	1 2 3 4 5 6 7	NOMENCLATURE	UNITS PER ASSY		
				0824	& ON	RF R
05			JAPANESE INTERIOR PLACARDS AND MARKINGS - FLIGHT COMPARTMENT			
-			. PLACARD-CABIN BRIEFER PORT . . . . .			01 R
1	4316002-40		. PLACARD-CURTAIN STOWAGE . . . . .			01 R
2	4316002-8					

- ITEM NOT ILLUSTRATED

CESSNA®  
**MODEL 525 (SERIALS -0685 AND -0800 AND ON)**  
 ILLUSTRATED PARTS CATALOG

A102360



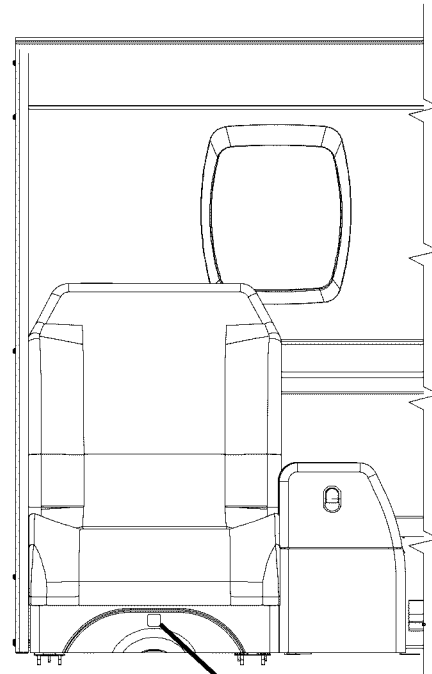
地上滑走、離陸及び着陸時は、すべての  
 キャビネットの扉及び引出しを閉じること。  
 CLOSE ALL CABINET DOORS AND DRAWERS  
 FOR TAXI, TAKEOFF, AND LANDING.

3

▲ **DETAIL G**

**DETAIL F**

Looking Forward at LH Forward Cabinet



**B**

**DETAIL A**

Looking Outboard at Side Facing Seat

タバコの吸い殻類投入禁止  
 金属製ゴミ容器を使用のこと  
 NO CIGARETTE DISPOSAL;  
 METAL TRASH LINER REQUIRED.

2

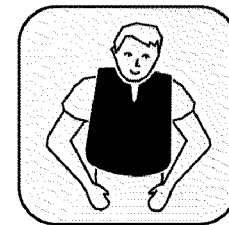
▲ **DETAIL E**

地上滑走、離陸及び着陸時は、  
 ショルダー・ハーネスを装着すること。  
 救命胴衣は座席台座の中に入っている。  
 FASTEN SHOULDER HARNESS FOR  
 TAXI, TAKEOFF, AND LANDING.  
 LIFE VEST IN SEAT BASE.

4

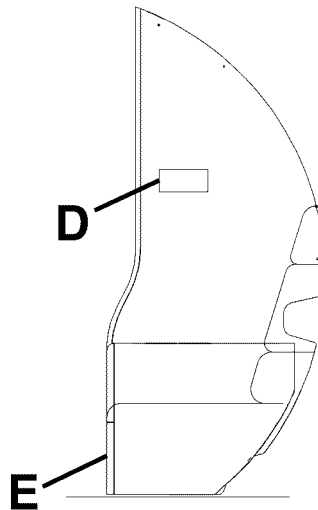
▲ **DETAIL D**

▲ Required for Dispatch



1

▲ **DETAIL B**



**D**

**E**

**DETAIL C**

Looking Forward at RH Forward Cabinet

6310T1168  
 A6320T1021  
 4416138

JAPANESE INTERIOR PLACARDS AND MARKINGS - FORWARD CABIN  
 FIGURE 01 (SHEET 1)

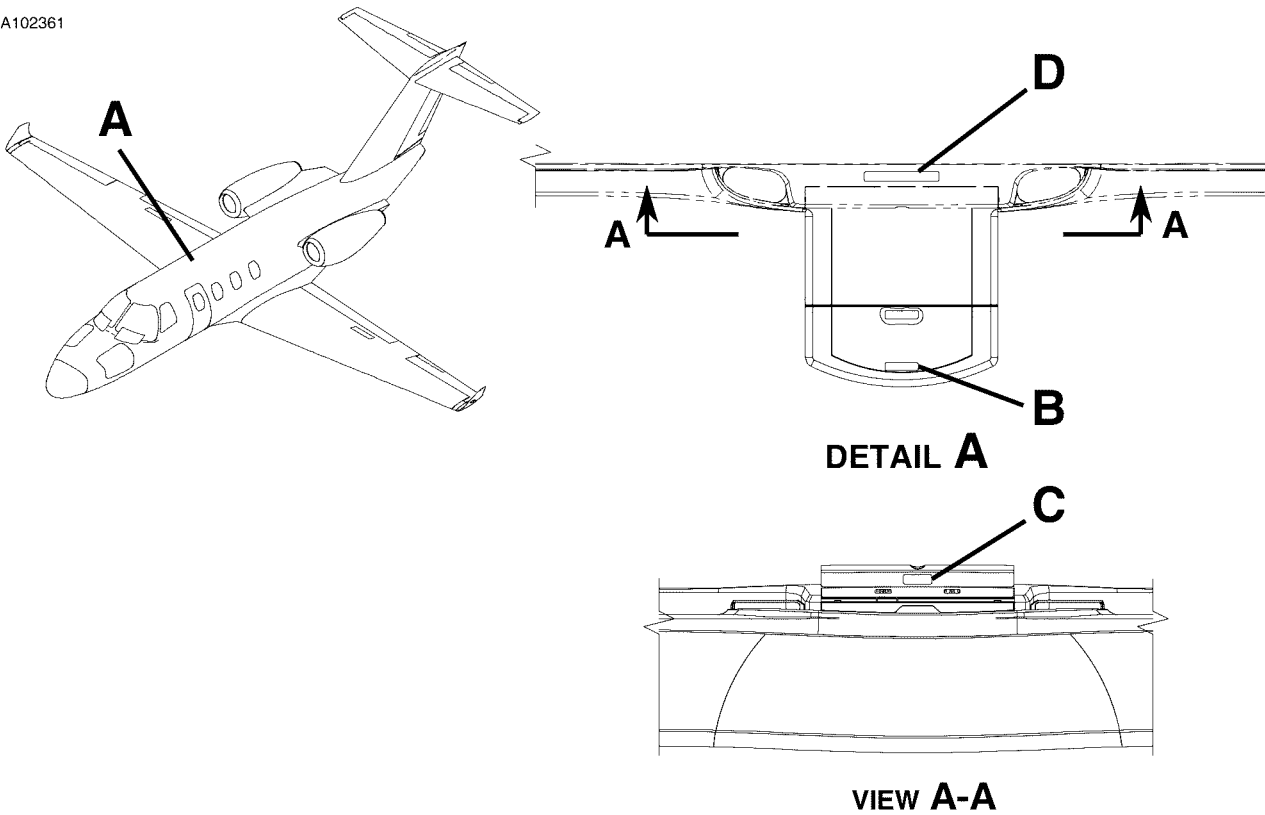
CESSNA®  
**MODEL 525 (SERIALS -0685 AND -0800 AND ON)**  
 ILLUSTRATED PARTS CATALOG

FIG ITEM	PART NUMBER	NOMENCLATURE	UNITS PER ASSY
	1 2 3 4 5 6 7		
01		JAPANESE INTERIOR PLACARDS AND MARKINGS - FORWARD CABIN	0824 & ON RF R
-			
1	4316002-32	. PLACARD-LIFE VEST . . . . .	01 R
2	4416138-164	. PLACARD-TRASH CONTAINER W/ LINER . . . . .	01 R
3	4416138-53	. PLACARD-CABINET INSTRUCTIONS . . . . .	01 R
4	4416138-36	. PLACARD-SIDE FACING SEAT/COUCH W/O ARM . . . . .	01 R

- ITEM NOT ILLUSTRATED

CESSNA®  
**MODEL 525 (SERIALS -0685 AND -0800 AND ON)**  
 ILLUSTRATED PARTS CATALOG

A102361



<p>地上滑走、離陸及び着陸時、          背もたれを元の位置に戻し、ヘッドレストを引き上げ、          座席の前後位置をテーブルから離し、窓側一杯に寄せる。          ショルダー・ハーネスを装着すること。</p>	<p>FOR TAXI, TAKEOFF, AND LANDING:          RAISE SEAT BACK, EXTEND HEADREST;          TRACK SEAT AWAY FROM TABLE THEN OUTBOARD;          FASTEN SHOULDER HARNESS.</p>
-------------------------------------------------------------------------------------------------------------------------------------	------------------------------------------------------------------------------------------------------------------------------------------------------------------------------------

77

▲ **DETAIL D**

地上滑走、離陸及び着陸時、収納すること。  
 STOW FOR TAXI, TAKEOFF, AND LANDING.

75

▲ **DETAIL B**

地上滑走、離陸及び着陸時、  
 テーブルの蓋を閉じること。  
 CLOSE LID FOR TAXI, TAKEOFF, AND LANDING.

76

▲ **DETAIL C**

▲ Required for Dispatch

6310T1168  
 A4711991  
 B4316006  
 CD4416138

JAPANESE INTERIOR PLACARDS AND MARKINGS - FORWARD CABIN  
 FIGURE 01 (SHEET 2)

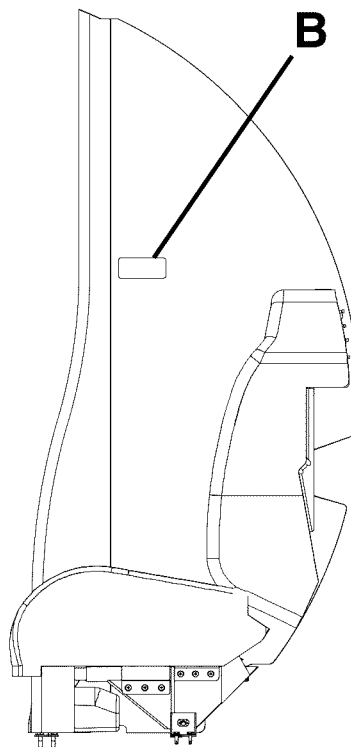
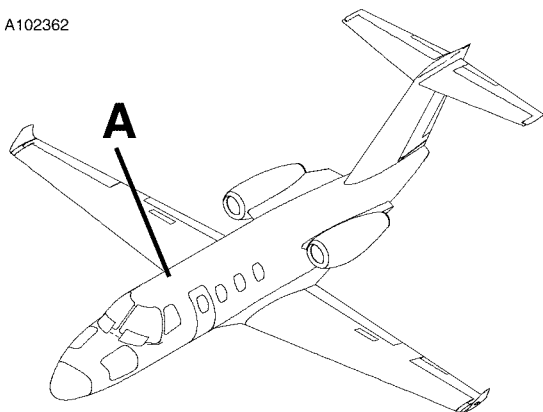
CESSNA®  
**MODEL 525 (SERIALS -0685 AND -0800 AND ON)**  
 ILLUSTRATED PARTS CATALOG

FIG ITEM	PART NUMBER	NOMENCLATURE	UNITS PER ASSY
	1 2 3 4 5 6 7		
01			
75	4316006-200	. PLACARD-TABLE INSTRUCTIONS . . . . .	04 R
76	4416138-171	. PLACARD-TABLE LID INSTRUCTIONS . . . . .	02 R
77	4416138-193	. PLACARD-PASSENGER SEAT INSTRUCTIONS . . . . .	02 R
- 78	4416138-196	. PLACARD-PASSENGER SEAT INSTRUCTIONS . . . . .	02 R

- ITEM NOT ILLUSTRATED

CESSNA®  
MODEL 525 (SERIALS -0685 AND -0800 AND ON)  
ILLUSTRATED PARTS CATALOG

A102362



DETAIL A

地上滑走、離陸及び着陸時は、  
ショルダー・ハーネスを装着すること。

FASTEN SHOULDER HARNESS FOR  
TAXI, TAKEOFF, AND LANDING.

150

▲ DETAIL B

▲ Required for Dispatch

JAPANESE INTERIOR PLACARDS AND MARKINGS - FORWARD CABIN  
FIGURE 01 (SHEET 3)

6310T1168  
A4711991  
B4416138

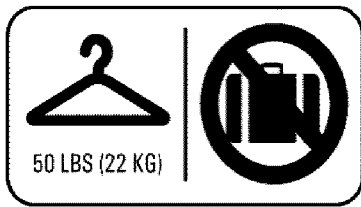
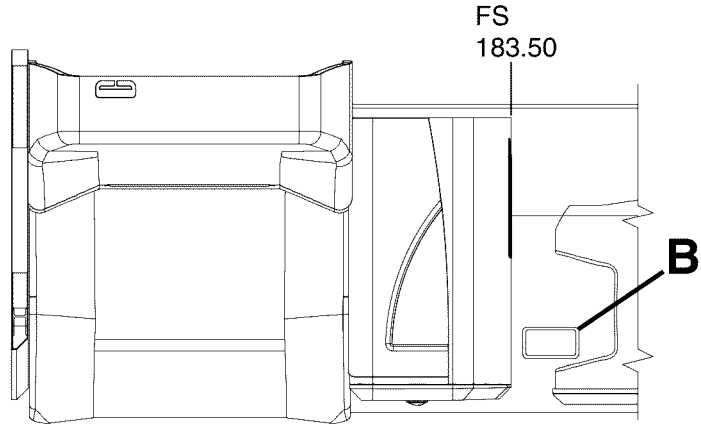
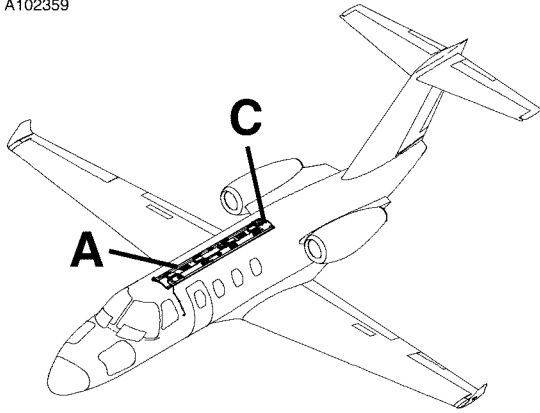
CESSNA®  
**MODEL 525 (SERIALS -0685 AND -0800 AND ON)**  
 ILLUSTRATED PARTS CATALOG

FIG ITEM	PART NUMBER	NOMENCLATURE							UNITS PER ASSY	
		1	2	3	4	5	6	7		
01 150	4416138-190	.							PLACARD-SFS/COUCH W/O CENTER ARMREST INSTRUCTIONS . . . . .	01 R

- ITEM NOT ILLUSTRATED

CESSNA®  
**MODEL 525 (SERIALS -0685 AND -0800 AND ON)**  
 ILLUSTRATED PARTS CATALOG

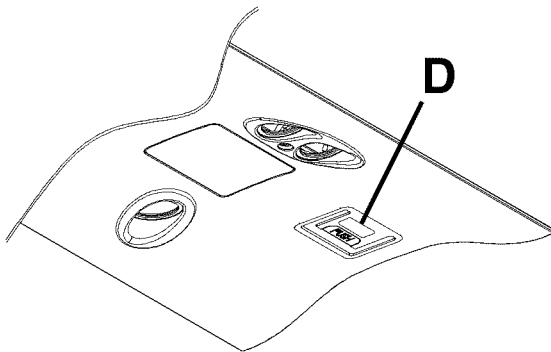
A102359



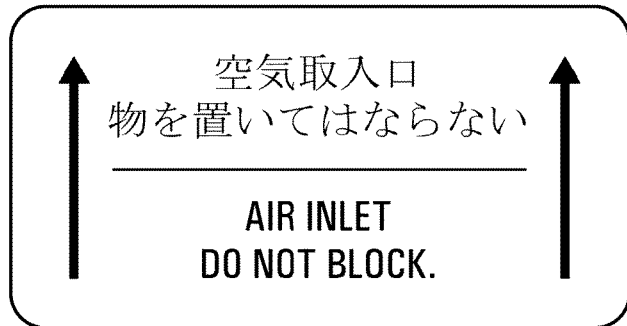
3

▲ **DETAIL D**

**DETAIL A**



**DETAIL C**



1

**DETAIL B**

▲ Required for Dispatch

6310T1168  
 A6314T1620  
 C6312T1218

JAPANESE INTERIOR PLACARDS AND MARKINGS - AFT CABIN  
 FIGURE 02 (SHEET 1)



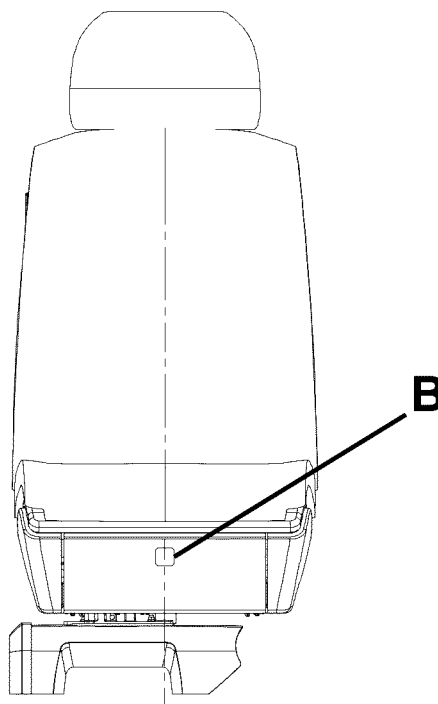
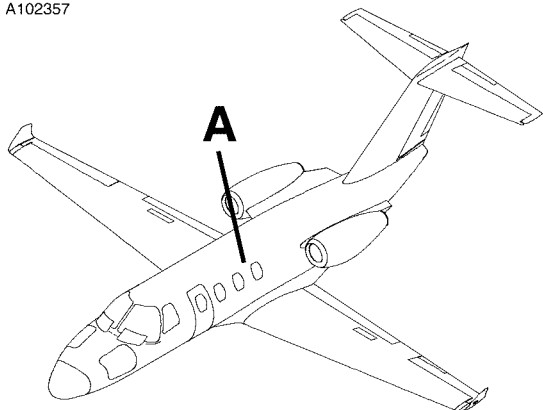
CESSNA®  
**MODEL 525 (SERIALS -0685 AND -0800 AND ON)**  
 ILLUSTRATED PARTS CATALOG

FIG ITEM	PART NUMBER	1 2 3 4 5 6 7	NOMENCLATURE	UNITS PER ASSY
02				
-			JAPANESE INTERIOR PLACARDS AND MARKINGS - AFT CABIN	0824 & ON RF R
1	4416138-145		. PLACARD-AIR INLET . . . . .	01 R
2	4717197-1		. COVER-AIR INLET . . . . .	01 R
3	4316002-34		. PLACARD-COAT ROD WEIGHT (50LB) . . . . .	01 R

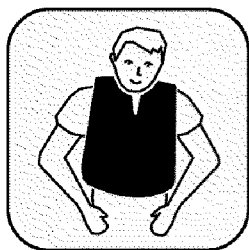
- ITEM NOT ILLUSTRATED

CESSNA®  
MODEL 525 (SERIALS -0685 AND -0800 AND ON)  
ILLUSTRATED PARTS CATALOG

A102357



**DETAIL A**



1

**▲ DETAIL B**

**▲** Required for Dispatch

6310T1168  
A6319T1648

JAPANESE INTERIOR PLACARDS AND MARKINGS - CABIN SEATS  
FIGURE 04 (SHEET 1)

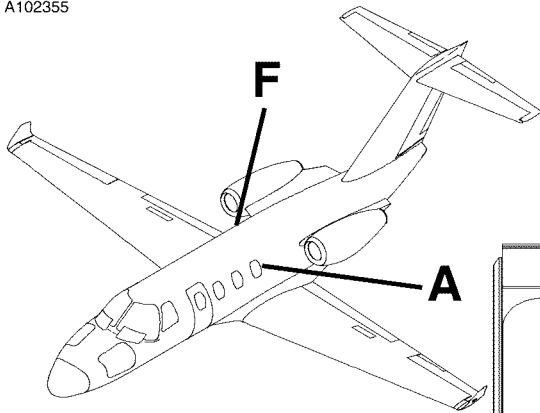
CESSNA®  
**MODEL 525 (SERIALS -0685 AND -0800 AND ON)**  
 ILLUSTRATED PARTS CATALOG

FIG ITEM	PART NUMBER	1 2 3 4 5 6 7	NOMENCLATURE	UNITS PER ASSY		
04			JAPANESE INTERIOR PLACARDS AND MARKINGS - CABIN SEATS	0824	& ON	RF R
-	4316002-32		. PLACARD-LIFE VEST .....			04 R

- ITEM NOT ILLUSTRATED

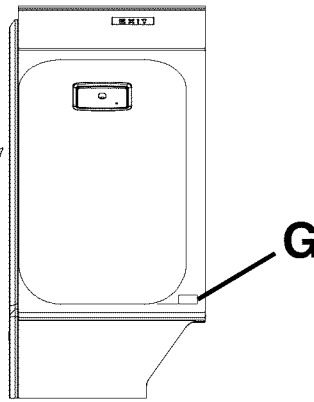
CESSNA®  
**MODEL 525 (SERIALS -0685 AND -0800 AND ON)**  
 ILLUSTRATED PARTS CATALOG

A102355

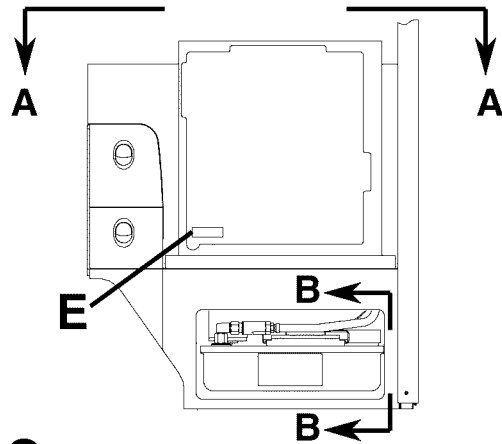


押して流す。

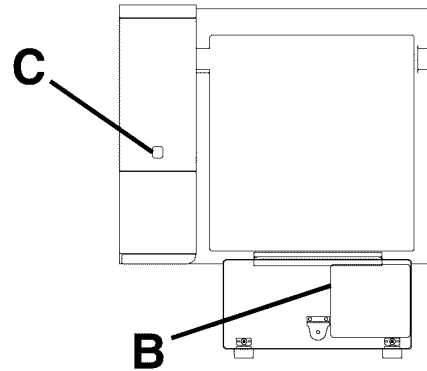
3  
**DETAIL E**



**DETAIL F**  
 View Looking Outboard



**DETAIL A**  
 View Looking Outboard



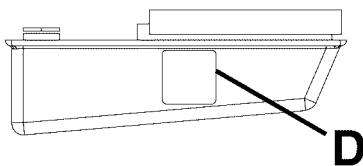
**VIEW A-A**

TOILET CHEMICAL  
 IS CORROSIVE.  
 USE EXTREME CARE  
 TO PREVENT SPILLAGE.  
 FOLLOW SERVICING  
 INSTRUCTIONS CAREFULLY.  
 CLEAN ANY SPILLAGE  
 IMMEDIATELY AND  
 REPORT IT TO THE CREW.

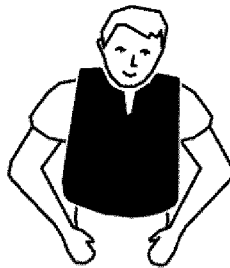


5  
 ▲ **DETAIL G**

1  
**DETAIL D**



**VIEW B-B**



4  
 ▲ **DETAIL C**

1 SLIDES (2 EACH)  
 (INSERT INTO SLIDE PLATE ASSEMBLY ITEM 6.)  
 2 PRES LOK FASTENERS (2 EACH)  
 (SHOWN LOCKED IN DETAIL A, UNLOCKED IN DETAIL B.)  
 3 KNIFE VALVE HANDLE  
 (KNIFE VALVE OPENED EXCEPT FOR TANK REMOVAL.)  
 (SHOWN OPEN IN DETAIL A, CLOSED IN DETAIL B.)  
 4 FLUSH HOSE (BUCK CONNECT)  
 5 RECESSED CARRYING HANDLE  
 6 SLIDE PLATE ASSEMBLY

**CAUTION: TO AVOID SPILLAGE**  
 DO NOT REMOVE TANK BEFORE CLOSING KNIFE VALVE ITEM 3.  
 PROPERLY INSTALL SLIDES INTO SLIDE PLATE.  
 VISUALLY INSPECT THAT NO GAP EXISTS BETWEEN TANK AND SLIDE PLATE GASKET.  
 KNIFE VALVE TO BE OPENED BEFORE FLIGHT.

2  
**DETAIL B**

6310T1168  
 A6319T1360  
 AA6319T1361  
 BB6319T1360  
 E6314T1662

▲ Required for Dispatch

JAPANESE INTERIOR PLACARDS AND MARKINGS - LAVATORY  
 FIGURE 01 (SHEET 1)

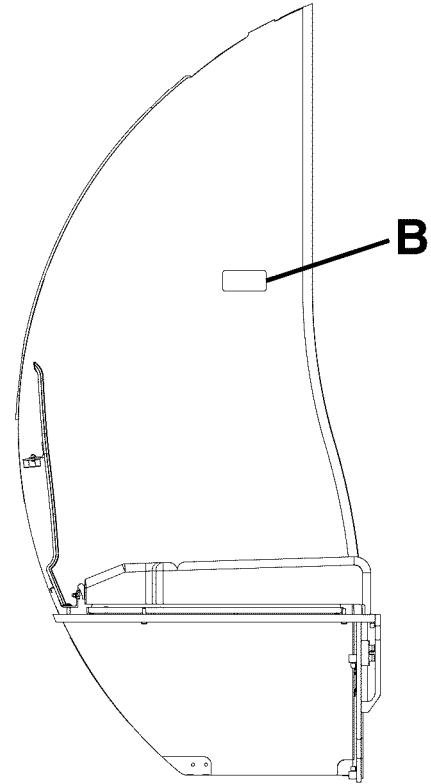
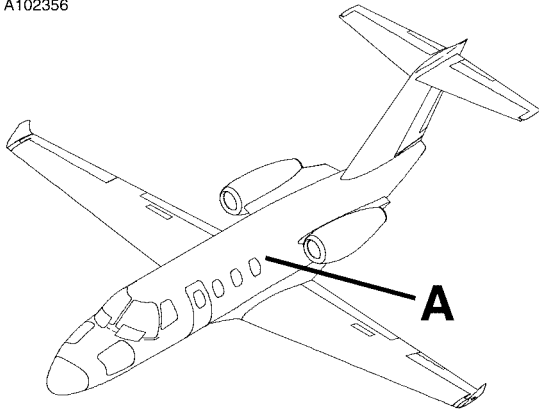
CESSNA®  
**MODEL 525 (SERIALS -0685 AND -0800 AND ON)**  
 ILLUSTRATED PARTS CATALOG

FIG ITEM	PART NUMBER	NOMENCLATURE	UNITS PER ASSY	
			1 2 3 4 5 6 7	
01				
-		JAPANESE INTERIOR PLACARDS AND MARKINGS - LAVATORY	0824	& ON RF R
1	4316002-30	. PLACARD-TOILET CARE . . . . .		01 R
2	4316002-36	. PLACARD-TOILET SERVICING . . . . .		01 R
3	4416138-148	. PLACARD-PRESS TO FLUSH . . . . .		01 R
4	4316002-32	. PLACARD-LIFEVEST . . . . .		01 R
5	4316002-33	. PLACARD-NO SMOKING . . . . .		01 R

- ITEM NOT ILLUSTRATED

CESSNA®  
**MODEL 525 (SERIALS -0685 AND -0800 AND ON)**  
 ILLUSTRATED PARTS CATALOG

A102356



地上滑走、離陸及び着陸時、  
 カーテンを開けて固定し、  
 すべてのキャビネットの扉及び引出しを閉じること。  
 ショルダー・ハーネスを装着すること。  
 救命胴衣は座席キャビネットの中に入っている。

FOR TAXI, TAKEOFF, AND LANDING:  
 STOW CURTAIN;  
 CLOSE ALL CABINET DOORS AND DRAWERS;  
 FASTEN SHOULDER HARNESS.  
 LIFE VEST IN SEAT CABINET.

77

▲ **DETAIL B**

**DETAIL A**

View Looking Forward

地上滑走、離陸及び着陸時、  
 スライディング・ドアを開にラッチし、  
 すべてのキャビネットの扉及び引出しを閉じること。  
 ショルダー・ハーネスを装着すること。  
 救命胴衣は座席キャビネットの中に入っている。

FOR TAXI, TAKEOFF, AND LANDING:  
 LATCH SLIDING DOORS OPEN;  
 CLOSE ALL CABINET DOORS AND DRAWERS;  
 FASTEN SHOULDER HARNESS.  
 LIFE VEST IN SEAT CABINET.

75

▲ **DETAIL B**

▲ Required for Dispatch

6310T1168  
 A4711T953-31

JAPANESE INTERIOR PLACARDS AND MARKINGS - LAVATORY  
 FIGURE 01 (SHEET 2)

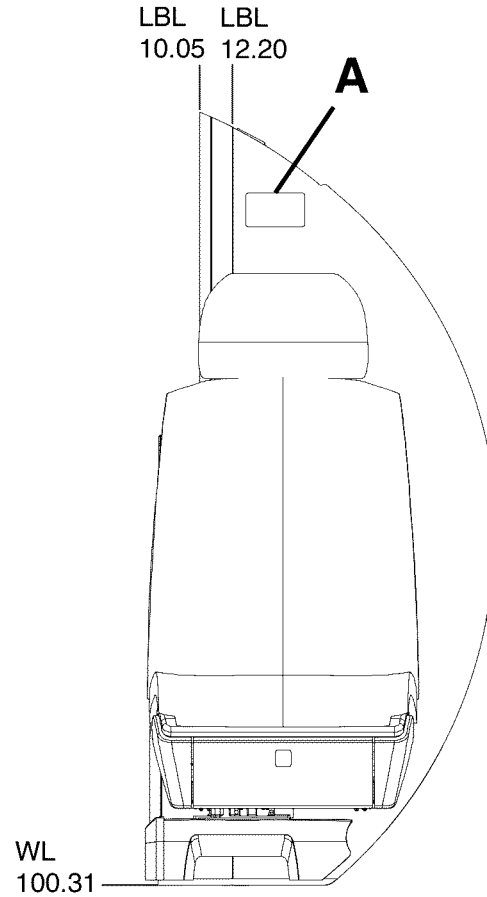
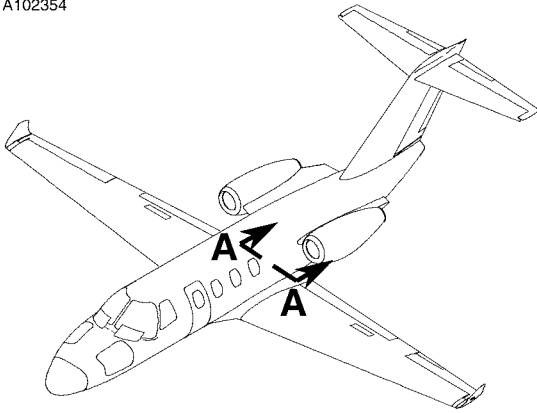
CESSNA®  
**MODEL 525 (SERIALS -0685 AND -0800 AND ON)**  
 ILLUSTRATED PARTS CATALOG

FIG ITEM	PART NUMBER	1 2 3 4 5 6 7	NOMENCLATURE	UNITS PER ASSY
01				
- 75	4416138-400	.	PLACARD-LH BELTED TOILET (DOOR) . . . . .	01 R
- 76	4416138-403	.	PLACARD-LH BELTED TOILET (DOOR) . . . . .	01 R
- 77	4416138-406	.	PLACARD-LH BELTED TOILET (CURTAIN) . . . . .	01 R
- 78	4416138-409	.	PLACARD-LH BELTED TOILET (CURTAIN) . . . . .	01 R

- ITEM NOT ILLUSTRATED

CESSNA®  
**MODEL 525 (SERIALS -0685 AND -0800 AND ON)**  
 ILLUSTRATED PARTS CATALOG

A102354



**VIEW A-A**

洗面所内禁煙
地上滑走、離陸及び着陸時は、 スライディング・ドアを開にラッチすること。
NO SMOKING IN LAVATORY.
LATCH SLIDING DOORS OPEN FOR TAXI, TAKEOFF, AND LANDING.

1

▲ **DETAIL A**

▲ Required for Dispatch

6310T1168  
 AA4711991-15  
 A4416138-62

JAPANESE INTERIOR PLACARDS AND MARKINGS - DIVIDERS  
 FIGURE 02 (SHEET 1)



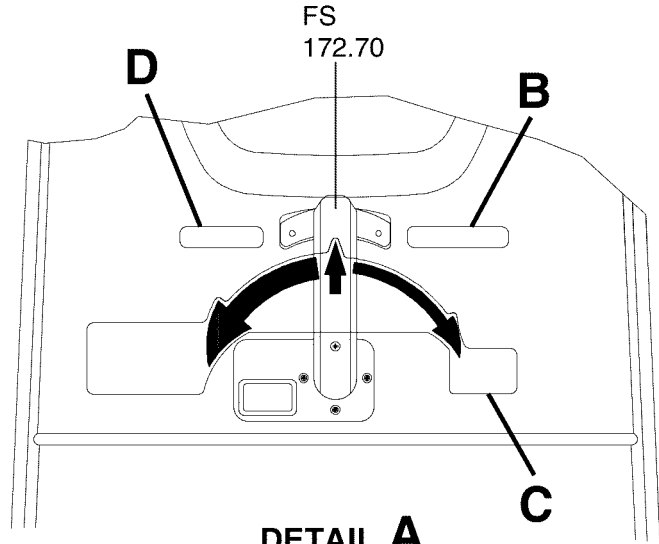
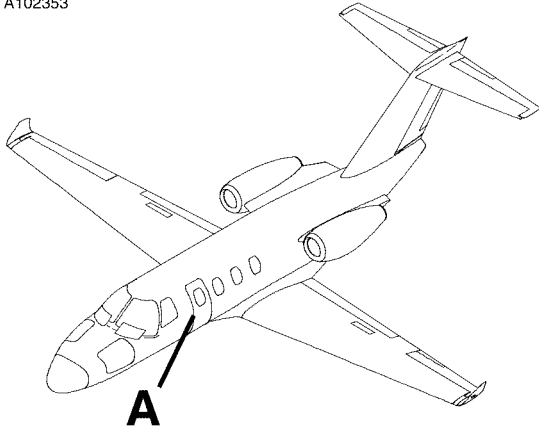
CESSNA®  
**MODEL 525 (SERIALS -0685 AND -0800 AND ON)**  
 ILLUSTRATED PARTS CATALOG

FIG ITEM	PART NUMBER	1 2 3 4 5 6 7	NOMENCLATURE	UNITS PER ASSY		
02						
-			JAPANESE INTERIOR PLACARDS AND MARKINGS - DIVIDERS	0824	& ON	RF R
- 1	4416138-62		. PLACARD-AFT CABIN INSTRUCTIONS . . . . .			01 R
- 2	4416138-134		. PLACARD-AFT CABIN INSTRUCTIONS W/CURTAIN . . . . .			01 R

- ITEM NOT ILLUSTRATED

CESSNA®  
**MODEL 525 (SERIALS -0685 AND -0800 AND ON)**  
 ILLUSTRATED PARTS CATALOG

A102353



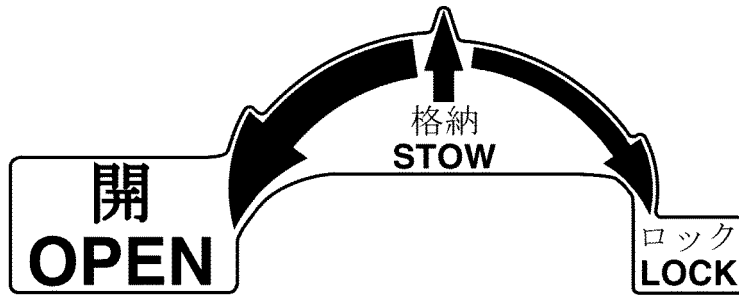
**DETAIL A**  
 View Looking Outboard

ボタンを押して解除、  
 ハンドルのトリガーを引く

3  
 ▲ **DETAIL D**

**TO RELEASE: PUSH BUTTON,  
 PULL TRIGGER ON HANDLE.**

1  
 ▲ **DETAIL B**



2  
 ▲ **DETAIL C**

▲ Required for Dispatch

6310T1168  
 A6310T1180  
 B6310T1180  
 C6310T1180  
 E6310T1180

JAPANESE INTERIOR PLACARDS AND MARKINGS - CABIN DOOR  
 FIGURE 01 (SHEET 1)

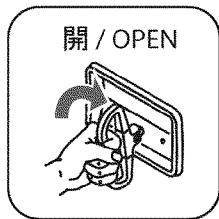
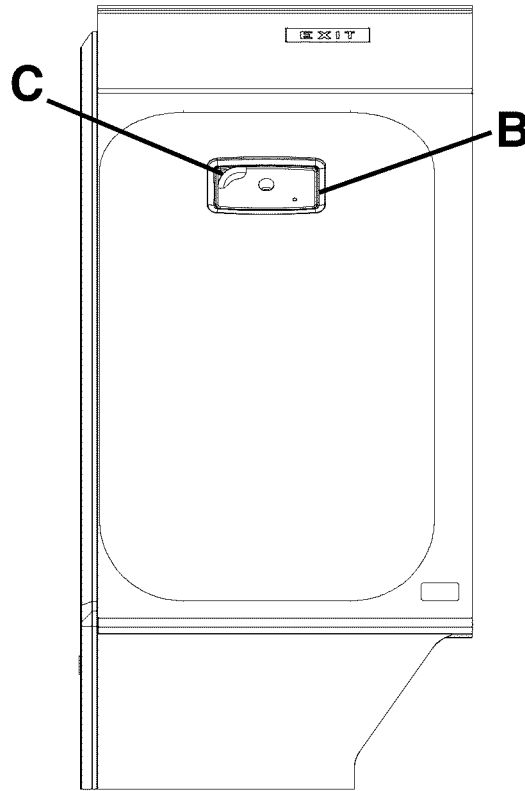
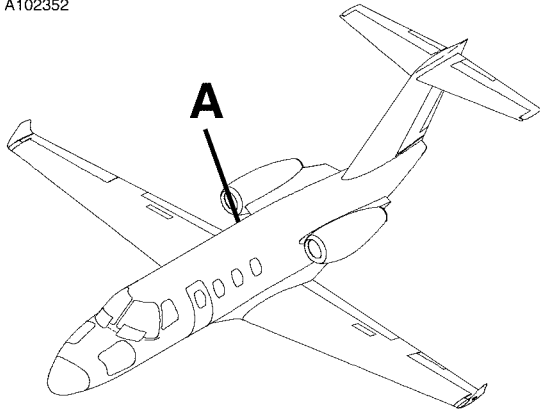
CESSNA®  
**MODEL 525 (SERIALS -0685 AND -0800 AND ON)**  
 ILLUSTRATED PARTS CATALOG

FIG ITEM	PART NUMBER	1 2 3 4 5 6 7	NOMENCLATURE	UNITS PER ASSY		
01			JAPANESE INTERIOR PLACARDS AND MARKINGS - CABIN DOOR	0824	& ON	RF R
-						
1	4316002-19		. DECAL-CABIN DOOR HANDLE INSTRUCTIONS . . . . .			01 R
2	4416138-154		. DECAL-CABIN DOOR INSTRUCTIONS . . . . .			01 R
3	4416138-157		. DECAL-CABIN DOOR HANDLE INSTRUCTIONS . . . . .			01 R

- ITEM NOT ILLUSTRATED

CESSNA®  
**MODEL 525 (SERIALS -0685 AND -0800 AND ON)**  
 ILLUSTRATED PARTS CATALOG

A102352



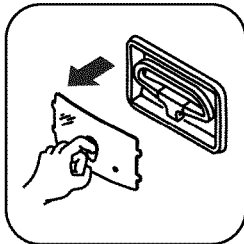
2

▲ **DETAIL E**

◀ **FWD**

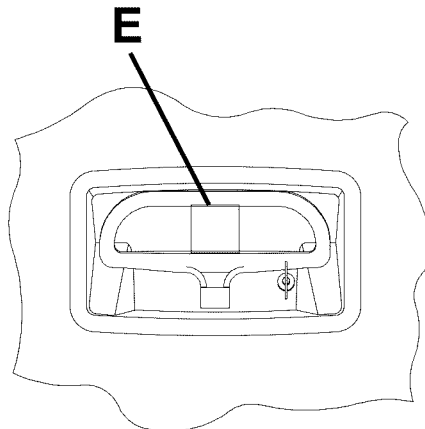
**DETAIL A**

View Looking Outboard

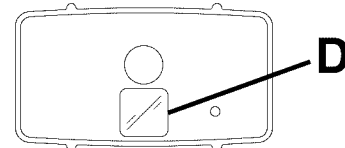


1

▲ **DETAIL D**



**DETAIL C**



**DETAIL B**

▲ Required for Dispatch

6310T1168  
 A6310T1180  
 B6310T1180  
 C6310T1180  
 E6310T1180

JAPANESE INTERIOR PLACARDS AND MARKINGS - ESCAPE HATCH  
 FIGURE 02 (SHEET 1)

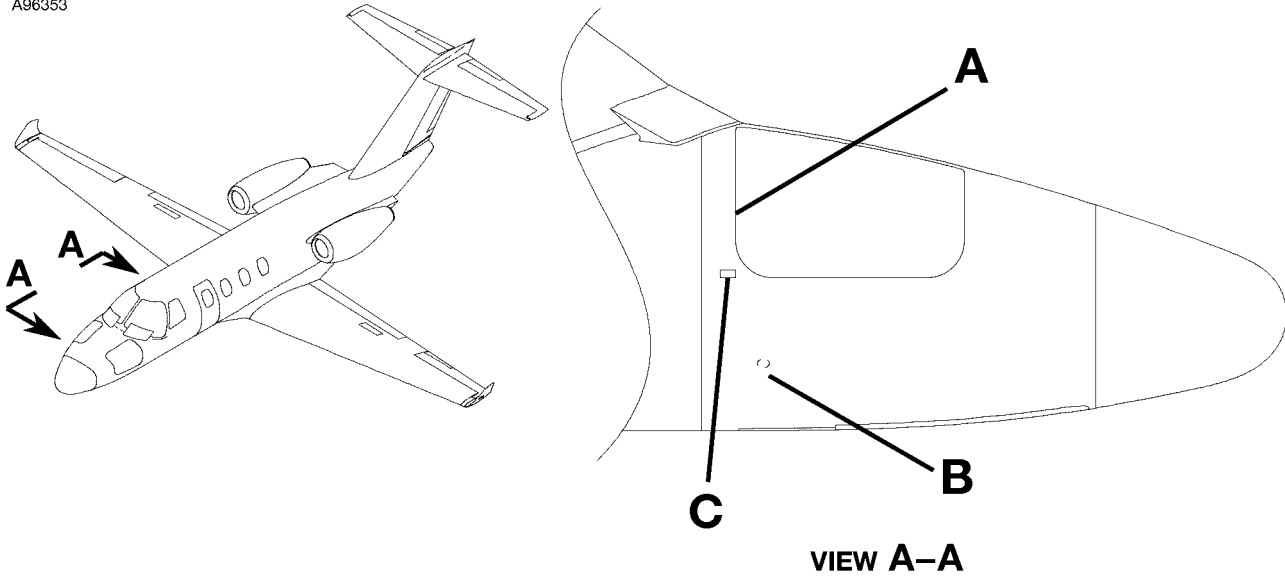
CESSNA®  
**MODEL 525 (SERIALS -0685 AND -0800 AND ON)**  
 ILLUSTRATED PARTS CATALOG

FIG ITEM	PART NUMBER	1 2 3 4 5 6 7	NOMENCLATURE	UNITS PER ASSY		
02			JAPANESE INTERIOR PLACARDS AND MARKINGS - ESCAPE HATCH	0824	& ON	RF R
-						
1	4316002-26		. PLACARD-ESCAPE HATCH COVER INSTRUCTIONS . . . . .			01 R
2	4416138-68		. PLACARD-ESCAPE HATCH TURN HANDLE . . . . .			01 R

- ITEM NOT ILLUSTRATED

CESSNA®  
**MODEL 525 (SERIALS -0685 AND -0800 AND ON)**  
 ILLUSTRATED PARTS CATALOG

A96353



OXIGENO PARA PILOTOS. LLENAR DE ACUERDO CON MIL-O-27210 VER MANUAL DE MANTENIMIENTO PARA LAS INSTRUCCIONES DE SERVICIO	OXYGEN FILLER AVIATORS BREATHING OXYGEN PER MIL-O-27210 SEE SERVICE MANUAL FOR SERVICING INSTRUCTIONS
---------------------------------------------------------------------------------------------------------------------------------	----------------------------------------------------------------------------------------------------------------

S4414-7

**2**  
**DETAIL A**

**CARGA DE  
 OXYGENO**

S4126-3

**3**  
**DETAIL C**

**DESCARGA DE OXIGENO  
 DE ALTA PRESION  
 NO TAPAR**

S4126-2

**1**  
**DETAIL B**

6310T1168  
 AA6390T152-1

ARGENTINE EXTERIOR PLACARDS AND MARKINGS - FORWARD FUSELAGE  
 FIGURE 01 (SHEET 1)

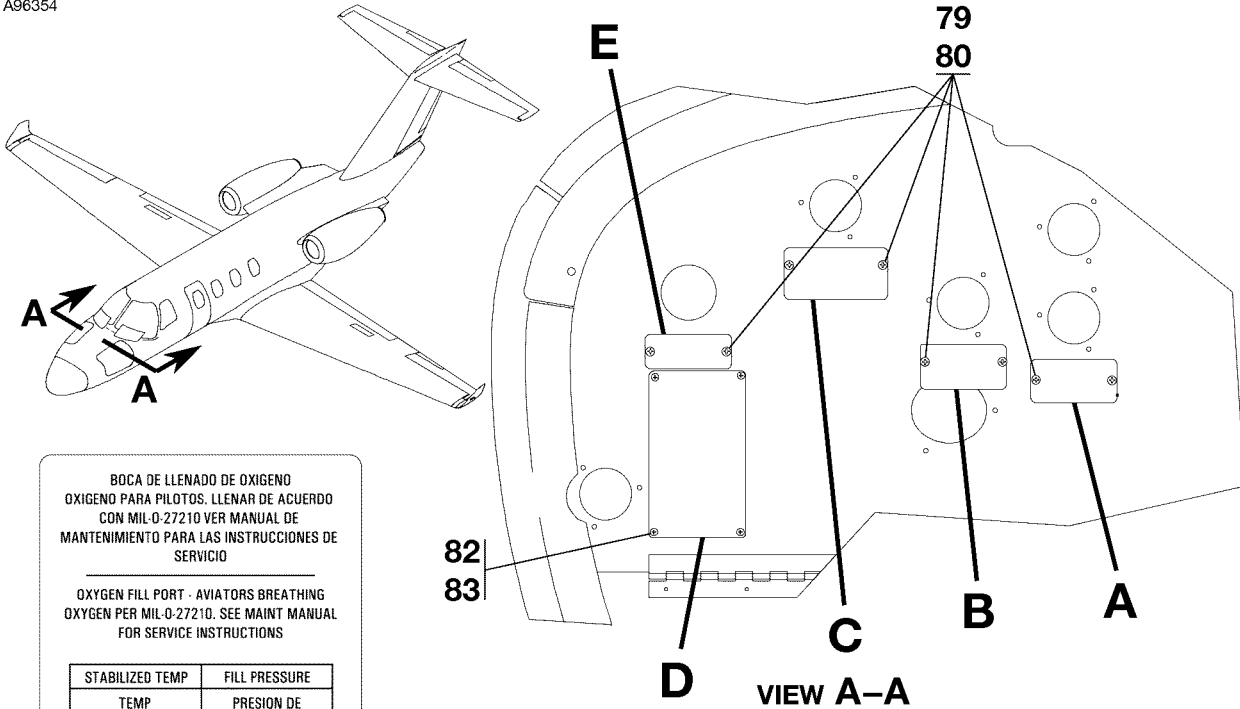
CESSNA®  
**MODEL 525 (SERIALS -0685 AND -0800 AND ON)**  
 ILLUSTRATED PARTS CATALOG

FIG ITEM	PART NUMBER	1 2 3 4 5 6 7	NOMENCLATURE	UNITS PER ASSY
01				
-			ARGENTINE EXTERIOR PLACARDS AND MARKINGS - FORWARD FUSELAGE	0833 & ON RF R
1	S4126-2		. PLACARD-OXYGEN . . . . .	01 R
2	S4414-7		. PLACARD-OXYGEN FILLER . . . . .	01 R
3	S4126-3		. PLACARD-OXYGEN FILL . . . . .	01 R

- ITEM NOT ILLUSTRATED

CESSNA®  
**MODEL 525 (SERIALS -0685 AND -0800 AND ON)**  
 ILLUSTRATED PARTS CATALOG

A96354



BOCA DE LLENADO DE OXIGENO  
 OXIGENO PARA PILOTOS. LLENAR DE ACUERDO  
 CON MIL-D-27210 VER MANUAL DE  
 MANTENIMIENTO PARA LAS INSTRUCCIONES DE  
 SERVICIO

OXYGEN FILL PORT - AVIATORS BREATHING  
 OXYGEN PER MIL-D-27210. SEE MAINT MANUAL  
 FOR SERVICE INSTRUCTIONS

STABILIZED TEMP	FILL PRESSURE
TEMP ESTABILIZADA °F(°C)	PRESION DE LLENADO ±50PSI(345kPa)
-10/(-23)	1,430/(9860)
0/(-18)	1,480/(10204)
20/(-7)	1,570/(10825)
40/(4)	1,660/(11445)
60/(16)	1,755/(12100)
80/(27)	1,845/(12721)
100/(38)	1,940/(13376)
120/(49)	2,030/(13996)
140/(60)	2,120/(14617)

S4414-8

**81**  
**DETAIL D**

NIVEL BAJO DE LIQUIDO DE  
 FRENO MIL-PRF-83282  
 BRAKE FLUID LOW LEVEL  
 MIL-PRF-83282 OIL

S4414-2

**75**  
**DETAIL A**

ALCOHOL PARA  
 PARABRISAS  
 WINDSHIELD  
 ALCOHOL

**78**  
**DETAIL E**

PRESION NEUMATICA  
 DE EMERGENCIA  
 DE TREN Y FRENO  
 GEAR AND BRAKE  
 EMERGENCY PNEUMATIC  
 PRESSURE

**77**  
**DETAIL C**

CARGA DEL ACUMULADOR  
 FRENOS DE  
 POTENCIA  
 POWER BRAKE  
 ACCUMULATOR  
 CHARGE

**76**  
**DETAIL B**

ARGENTINE EXTERIOR PLACARDS AND MARKINGS - FORWARD FUSELAGE  
 FIGURE 01 (SHEET 2)

6310T1168  
 AA6390T152-1



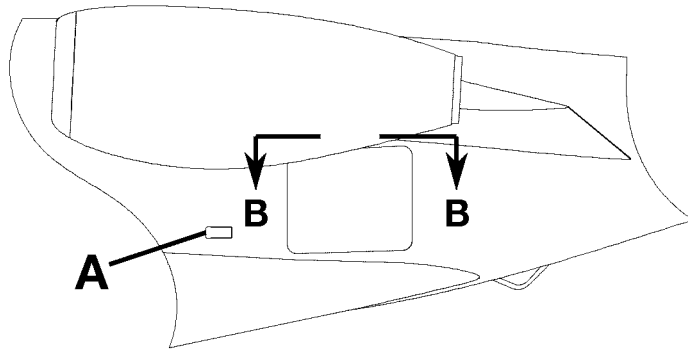
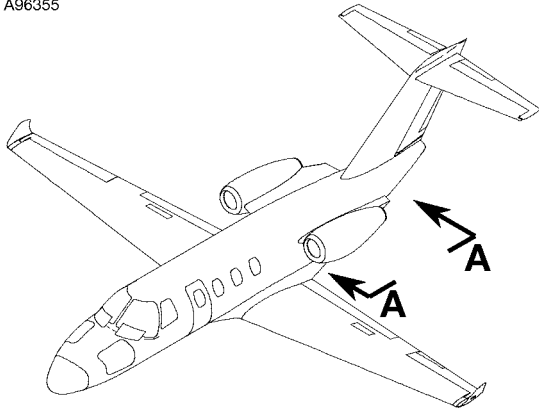
CESSNA®  
**MODEL 525 (SERIALS -0685 AND -0800 AND ON)**  
 ILLUSTRATED PARTS CATALOG

FIG ITEM	PART NUMBER	NOMENCLATURE	UNITS
			PER ASSY
01			
75	S4414-2	. PLACARD-BRAKE FLUID . . . . .	01 R
76	6390019-8	. PLACARD-POWER BRAKE . . . . .	01 R
77	6390019-9	. PLACARD-GEAR AND BRAKE . . . . .	01 R
78	6390019-10	. PLACARD-WINDSHIELD ALCOHOL . . . . . ATTACHING PARTS	01 R
79	S1021A4-8C	. SCREW . . . . .	02 R
80	S3230-1	. NUT . . . . . —*—	02 R
81	S4414-6	. PLACARD-OXYGEN . . . . . ATTACHING PARTS	01 R
82	S1021A4-8C	. SCREW . . . . .	04 R
83	S3230-1	. NUT . . . . . —*—	04 R

- ITEM NOT ILLUSTRATED

CESSNA®  
**MODEL 525 (SERIALS -0685 AND -0800 AND ON)**  
 ILLUSTRATED PARTS CATALOG

A96355

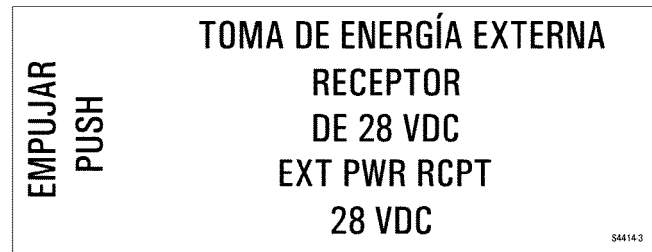


**VIEW A-A**

CBrF <sub>3</sub> -N <sub>2</sub>		
TABLA DE RELACIONES PRESION-TEMPERATURA		
TEMP-PRESS RELATION TABLE		
F/C GRADO DE TEMPERATURA	MINIMA PRESION PERMITIDA	MAXIMA PRESION PERMITIDA
TEMPERATURE DEGREES F/C	MINIMUM ALLOWABLE PRESSURE	MAXIMUM ALLOWABLE PRESSURE
-60/(-51)	267	343
-40/(-40)	292	370
-20/(-29)	320	400
0/(-18)	355	437
20/(-7)	396	486
40/(4)	449	540
60/(16)	518	618
80/(27)	593	702
100/(38)	670	784
120/(49)	755	885
160/(71)	957	1091

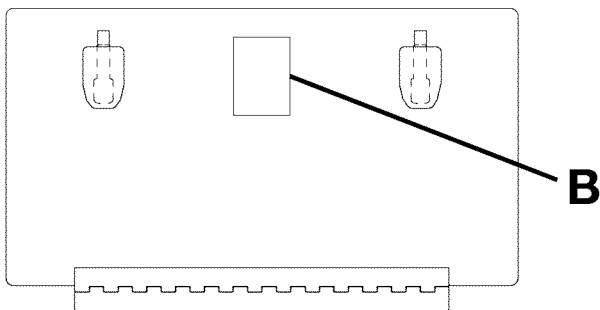
**2**

**DETAIL B**



**1**

**DETAIL A**



**VIEW B-B**

View Looking Down on Inside of Closed Door

ARGENTINE EXTERIOR PLACARDS AND MARKINGS - EMPENNAGE  
 FIGURE 01 (SHEET 1)

6310T1168  
 AA-BB6390T152-1

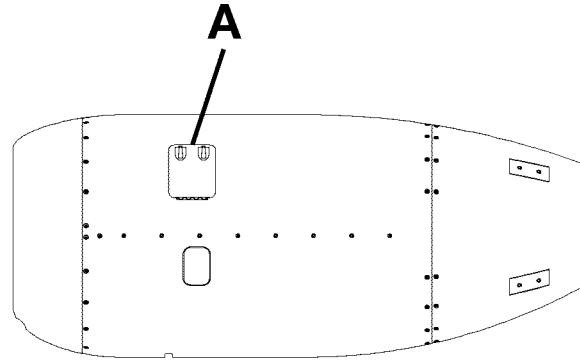
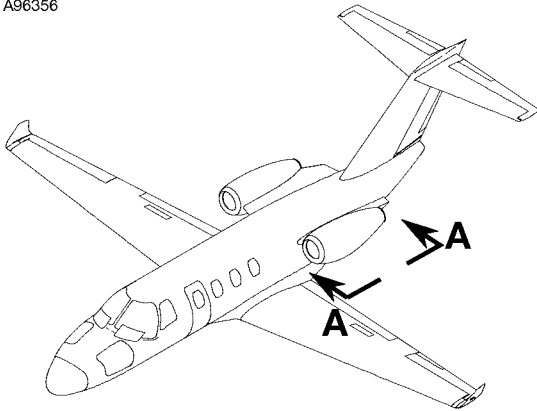
CESSNA®  
**MODEL 525 (SERIALS -0685 AND -0800 AND ON)**  
 ILLUSTRATED PARTS CATALOG

FIG ITEM	PART NUMBER	1 2 3 4 5 6 7	NOMENCLATURE	UNITS PER ASSY		
01			ARGENTINE EXTERIOR PLACARDS AND MARKINGS - EMPENNAGE	0833	& ON	RF R
-			. PLACARD-EXTERNAL POWER . . . . .			01 R
1	S4414-3		. PLACARD-FIRE BOTTLE TEMPERATURE . . . . .			01 R
2	S4414-5					

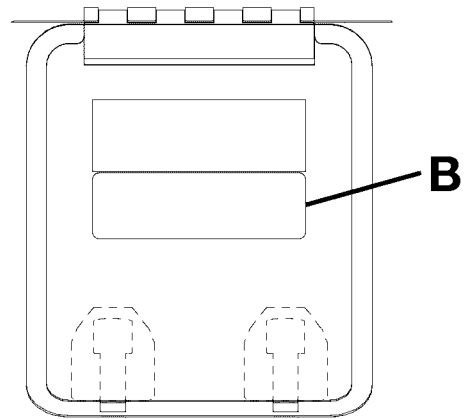
- ITEM NOT ILLUSTRATED

CESSNA®  
MODEL 525 (SERIALS -0685 AND -0800 AND ON)  
ILLUSTRATED PARTS CATALOG

A96356



VIEW A-A



DETAIL A

View Looking Down at Open Door

**ACEITE DE MOTOR**

**CAPACIDAD: 3.86 LITROS (1.02 US GALLONS)**

TIPO: VER MANUAL DE VUELO DE LA AERONAVE,  
PARA VERIFICAR ACEITES APROBADOS

S4414-4

1

**DETAIL B**

ARGENTINE EXTERIOR PLACARDS AND MARKINGS - NACELLES AND PYLONS  
FIGURE 01 (SHEET 1)

6310T1168  
A6350T1022  
AA6350T1022

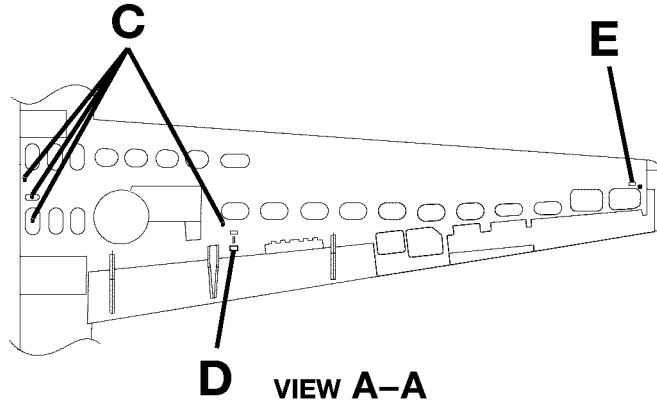
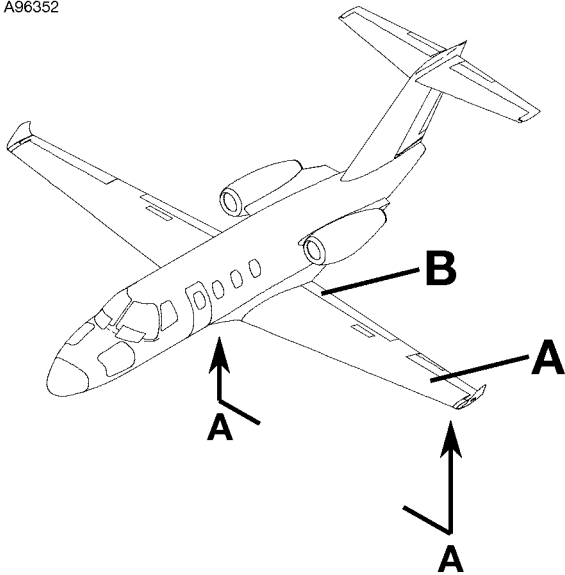
CESSNA®  
**MODEL 525 (SERIALS -0685 AND -0800 AND ON)**  
 ILLUSTRATED PARTS CATALOG

FIG ITEM	PART NUMBER	1 2 3 4 5 6 7	NOMENCLATURE	UNITS PER ASSY		
01			ARGENTINE EXTERIOR PLACARDS AND MARKINGS - NACELLES AND	0833	& ON	RF R
-			PYLONS			
1	S4414-4		. PLACARD-ENGINE OIL . . . . .			02 R

- ITEM NOT ILLUSTRATED

CESSNA®  
**MODEL 525 (SERIALS -0685 AND -0800 AND ON)**  
 ILLUSTRATED PARTS CATALOG

A96352



**CONEXION DE TIERRA  
 DEBAJO DEL ALA**

**5  
 DETAIL E**



**4  
 DETAIL A**

**PRECAUCIÓN**  
 PARA PREVENIR DAÑOS A LA AERONAVE, SACAR FRENO DE ESTACIONAMIENTO Y EL SOPORTE DE LA COLA ANTES DE BAJAR LA AERONAVE DE LOS GATOS

**3  
 DETAIL D**

**NO STEP  
 NO PISAR**

**2  
 DETAIL B**

**DRENAJE  
 TANQUE Y COLECTOR**  
 S4135-5

**1  
 DETAIL C**

6310T1168

ARGENTINE EXTERIOR PLACARDS AND MARKINGS - WINGS  
 FIGURE 01 (SHEET 1)

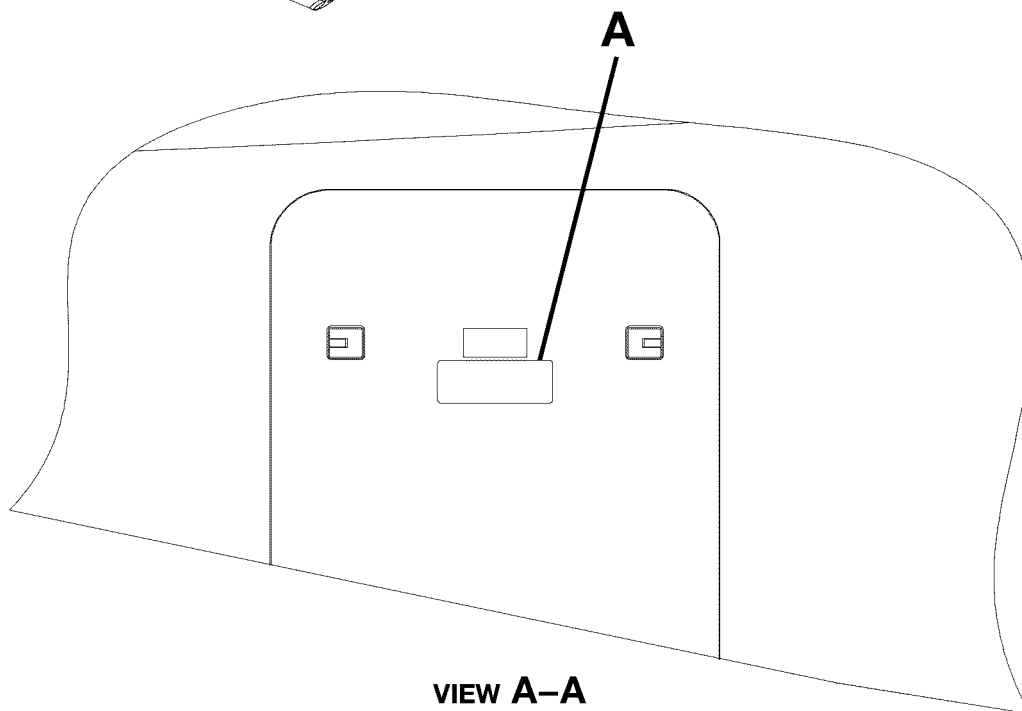
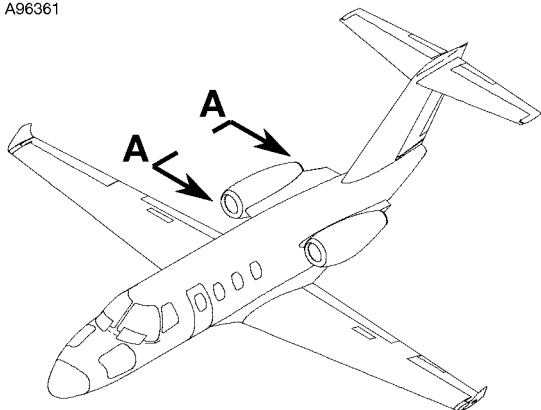
CESSNA®  
**MODEL 525 (SERIALS -0685 AND -0800 AND ON)**  
 ILLUSTRATED PARTS CATALOG

FIG ITEM	PART NUMBER	NOMENCLATURE	UNITS	
			PER	ASSY
01				
-		ARGENTINE EXTERIOR PLACARDS AND MARKINGS - WINGS	0833	& ON RF R
1	S4135-5	. PLACARD-DRAIN . . . . .		08 R
2	S4140-1	. PLACARD-NO STEP . . . . .		02 R
3	6905037-32	. PLACARD-JACK REMOVAL CAUTION . . . . .		02 R
4	S4262-4	. PLACARD-FUEL CAP . . . . .		02 R
5	4811868-70	. DECAL-GROUND UNDER WING . . . . .		02 R

- ITEM NOT ILLUSTRATED

CESSNA®  
**MODEL 525 (SERIALS -0685 AND -0800 AND ON)**  
ILLUSTRATED PARTS CATALOG

A96361



**RESERVATÓRIO DE ÓLEO  
HYDRÁULICO  
MIL-PRF-83282**

S4417-8

1  
**DETAIL A**

ARGENTINE EXTERIOR PLACARDS AND MARKINGS - EMPENNAGE HYDRAULIC  
FIGURE 01 (SHEET 1)

6310T1168  
AA6390T152-1



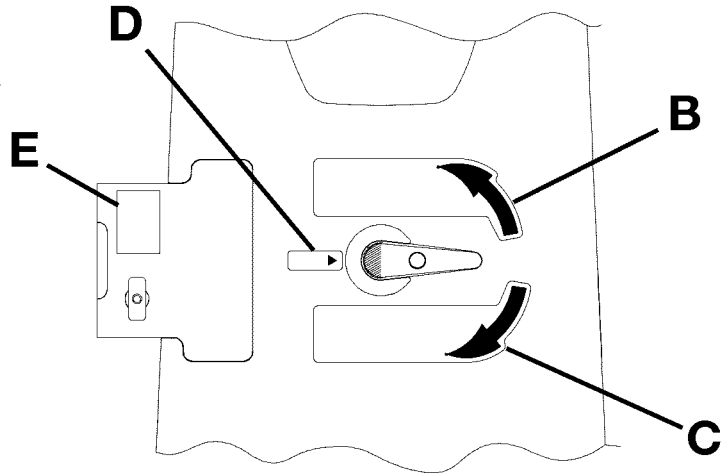
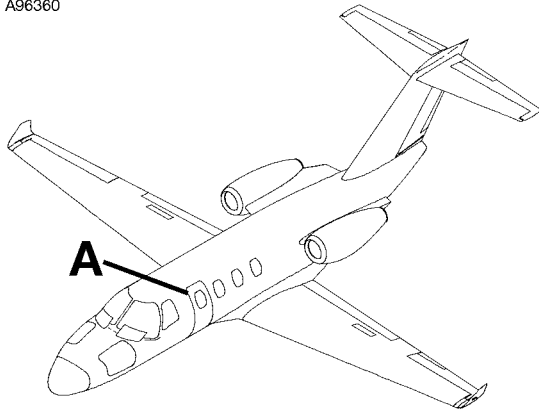
CESSNA®  
**MODEL 525 (SERIALS -0685 AND -0800 AND ON)**  
 ILLUSTRATED PARTS CATALOG

FIG ITEM	PART NUMBER	1 2 3 4 5 6 7	NOMENCLATURE	UNITS PER ASSY		
01			ARGENTINE EXTERIOR PLACARDS AND MARKINGS - EMPENNAGE	0833	& ON	RF R
-			HYDRAULIC			
1	S4414-1		. PLACARD-HYDRAULIC RESERVOIR . . . . .			01 R

- ITEM NOT ILLUSTRATED

CESSNA®  
**MODEL 525 (SERIALS -0685 AND -0800 AND ON)**  
 ILLUSTRATED PARTS CATALOG

A96360



**DETAIL A**

(View Looking Inboard at Entry Door)

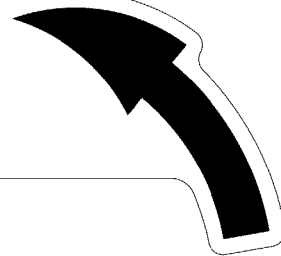
LIBERAÇÃO DA  
 TRAVA DA PORTA  
 POR DENTRO,  
 ATRÁS DESTA PLACA  
 LEVANTE OS  
 DEGRAUS ANTES DE  
 FECHAR A PORTA.

DOOR CATCH  
 RELEASE INSIDE  
 BEHIND THIS  
 PLACARD. RAISE  
 STEPS BEFORE  
 CLOSING DOOR.

4

**DETAIL E**

**CERRAR  
 LOCK**



1

▲ **DETAIL B**

**EMPUJAR  
 PUSH**

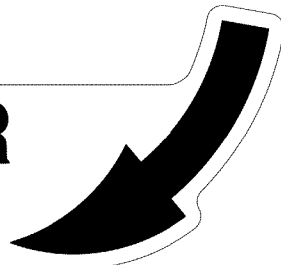


3

▲ **DETAIL D**

**SALIDA  
 EXIT**

**ABRIR  
 OPEN**



2

▲ **DETAIL C**

▲ Required for Dispatch

6310T1168  
 A4711T983-2

ARGENTINE EXTERIOR PLACARDS AND MARKINGS - CABIN DOOR  
 FIGURE 01 (SHEET 1)

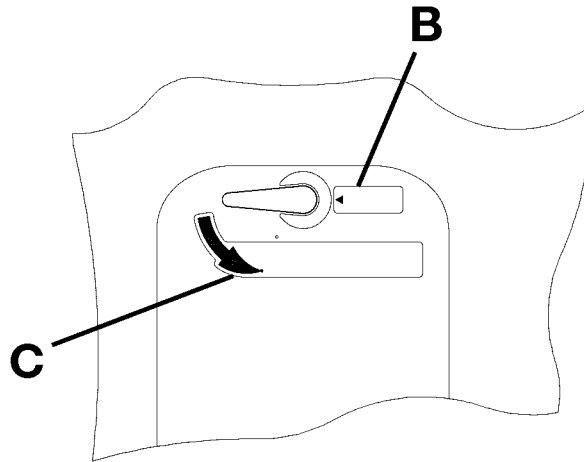
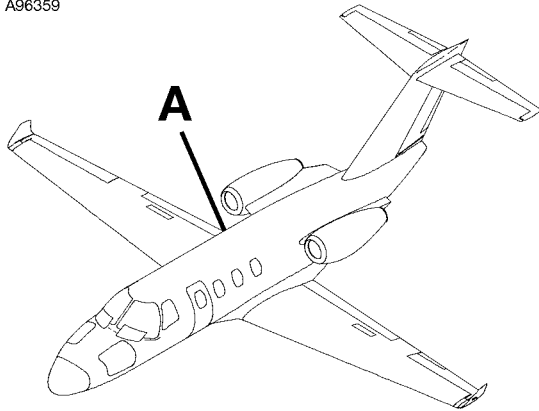
CESSNA®  
**MODEL 525 (SERIALS -0685 AND -0800 AND ON)**  
 ILLUSTRATED PARTS CATALOG

FIG ITEM	PART NUMBER	NOMENCLATURE	UNITS	
			PER	ASSY
01				
-		ARGENTINE EXTERIOR PLACARDS AND MARKINGS - CABIN DOOR	0833	& ON RF R
1	4316018-11	. DECAL-LOCK . . . . .		01 R
2	4316018-12	. DECAL-OPEN . . . . .		01 R
3	4316018-10	. DECAL-PUSH . . . . .		01 R
4	4516047-67	. PHOTOPLACARD-PREATCH. . . . .		01 R

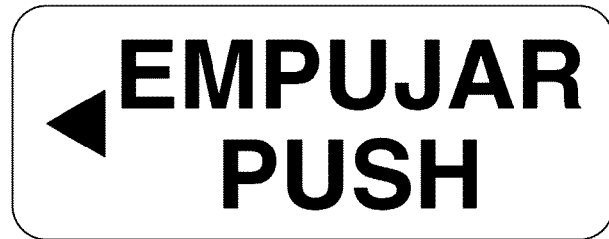
- ITEM NOT ILLUSTRATED

CESSNA®  
MODEL 525 (SERIALS -0685 AND -0800 AND ON)  
ILLUSTRATED PARTS CATALOG

A96359



**DETAIL A**  
Looking Inboard at Escape Hatch



1  
▲ **DETAIL B**



2  
▲ **DETAIL C**

▲ Required for Dispatch

6310T1168  
A4711983-1

ARGENTINE EXTERIOR PLACARDS AND MARKINGS - ESCAPE HATCH  
FIGURE 02 (SHEET 1)

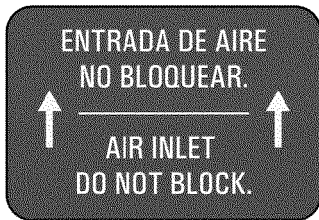
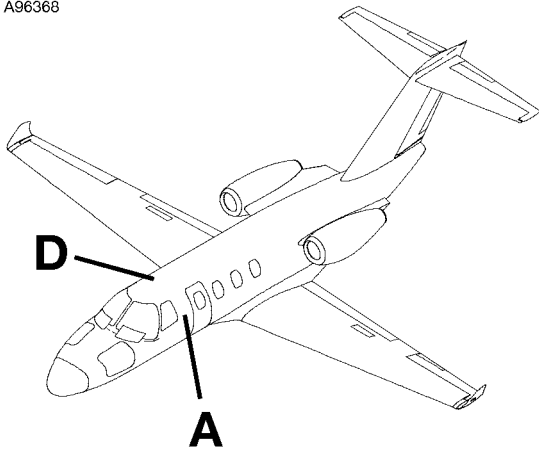
CESSNA®  
**MODEL 525 (SERIALS -0685 AND -0800 AND ON)**  
 ILLUSTRATED PARTS CATALOG

FIG ITEM	PART NUMBER	1 2 3 4 5 6 7	NOMENCLATURE	UNITS PER ASSY		
02						
-			ARGENTINE EXTERIOR PLACARDS AND MARKINGS - ESCAPE HATCH	0833	& ON	RF R
1	4316018-9		. DECAL-PUSH .....			01 R
2	4316018-8		. DECAL-OPEN .....			01 R

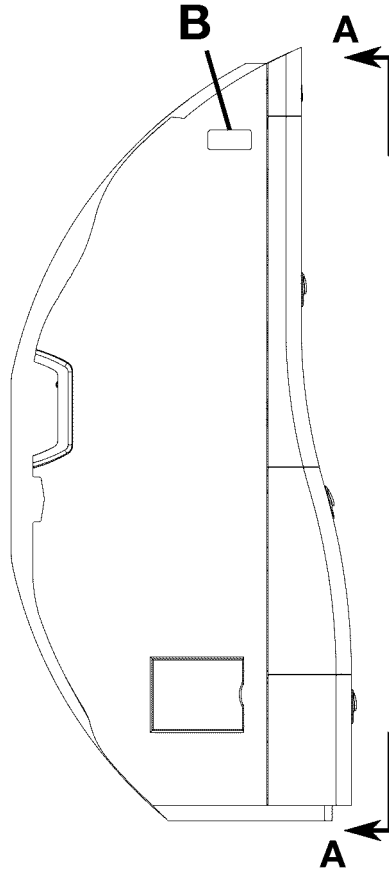
- ITEM NOT ILLUSTRATED

CESSNA®  
**MODEL 525 (SERIALS -0685 AND -0800 AND ON)**  
 ILLUSTRATED PARTS CATALOG

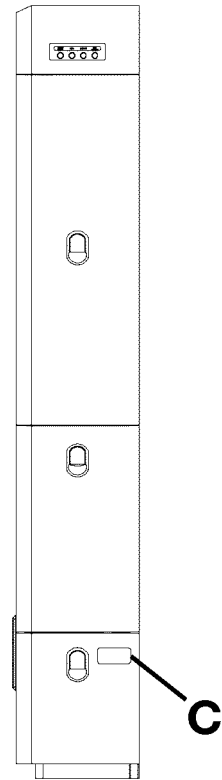
A96368



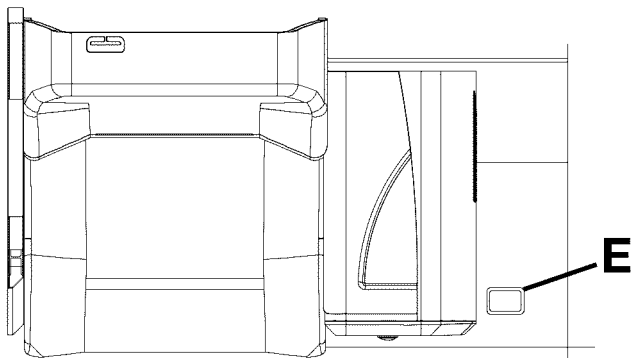
3  
**DETAIL E**



**DETAIL A**



**VIEW A-A**



**DETAIL D**

CERRAR TODAS LAS PUERTAS DE LOS ARMARIOS Y COMPARTIMIENTOS DURANTE EL RODAJE, DESPEGUE Y ATERRIZAJE.  
 CLOSE ALL CABINET DOORS AND DRAWERS FOR TAXI, TAKEOFF, AND LANDING.

1  
 ▲ **DETAIL B**

NO ARROJAR CIGARRILLOS; SE REQUIERE UN RECIPIENTE DE METAL PARA RESIDUOS.  
 NO CIGARETTE DISPOSAL; METAL TRASH LINER REQUIRED.

2  
 ▲ **DETAIL C**

▲ Required for Dispatch

ARGENTINE INTERIOR PLACARDS AND MARKINGS - FORWARD CABIN  
 FIGURE 01 (SHEET 1)

6310T1168  
 A6320T1021  
 AA6320T1021  
 D6320T1021

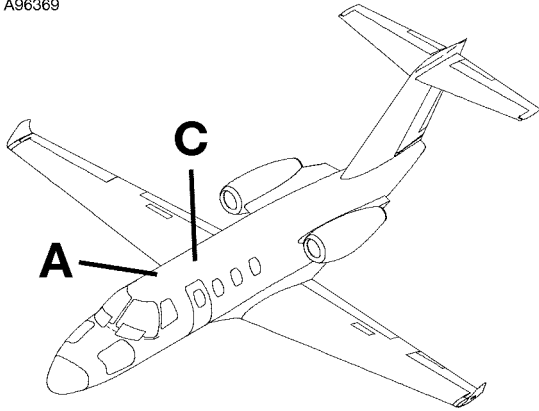
CESSNA®  
**MODEL 525 (SERIALS -0685 AND -0800 AND ON)**  
 ILLUSTRATED PARTS CATALOG

FIG ITEM	PART NUMBER	NOMENCLATURE	UNITS	
			PER	ASSY
01				
-		ARGENTINE INTERIOR PLACARDS AND MARKINGS - FORWARD CABIN	0833	& ON RF R
1	4316018-21	. PLACARD-CABINET INSTRUCTIONS . . . . .		01 R
2	4316018-15	. PLACARD-TRASH CONTAINER . . . . .		01 R
3	4316018-22	. PLACARD-AIR INLET . . . . .		01 R
- 4	4717018-8	. PLACARD COVER . . . . .		01 R

- ITEM NOT ILLUSTRATED

CESSNA®  
**MODEL 525 (SERIALS -0685 AND -0800 AND ON)**  
 ILLUSTRATED PARTS CATALOG

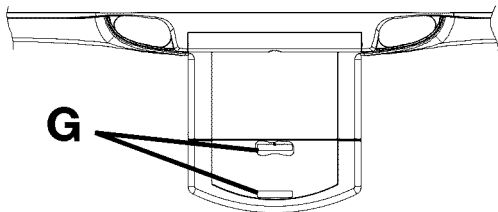
A96369



GUARDAR DURANTE EL RODAJE, EL DESPEGUE Y EL ATERRIZAJE.  
 STOW FOR TAXI, TAKEOFF, AND LANDING.

80

▲ **DETAIL G**



**DETAIL F**

Looking Down on Right Hand Side Deployed Table,  
 Left Hand Side Opposite

DURANTE EL RODAJE, DESPEGUE Y ATERRIZAJE:  
 LEVANTAR EL RESPALDO; EXTENDER EL APOYACABEZA;  
 POSICIONAR EL ASIENTO LEJOS DE LA MESA  
 CONTRA LA VENTANILLA;  
 AJUSTAR EL ARNÉS DE HOMBRO.  
 CHALECO SALVAVIDAS DEBAJO DEL ASIENTO.

FOR TAXI, TAKEOFF, AND LANDING: RAISE SEAT BACK;  
 EXTEND HEADREST; TRACK SEAT AWAY FROM  
 TABLE THEN OUTBOARD; FASTEN SHOULDER HARNESS.  
 LIFE VEST IN SEAT BASE.

79

▲ **DETAIL E**

Used with Lifevest

DURANTE EL RODAJE, DESPEGUE Y ATERRIZAJE:  
 LEVANTAR EL RESPALDO; EXTENDER EL APOYACABEZA;  
 POSICIONAR EL ASIENTO LEJOS DE LA MESA  
 CONTRA LA VENTANILLA;  
 AJUSTAR EL ARNÉS DE HOMBRO.

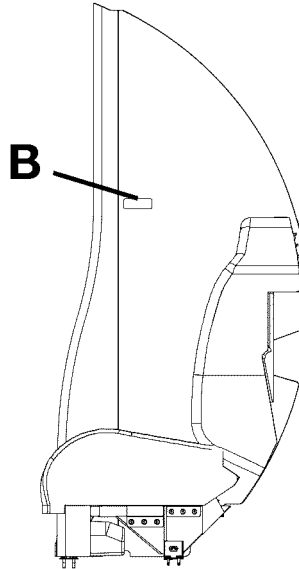
FOR TAXI, TAKEOFF, AND LANDING: RAISE SEAT BACK;  
 EXTEND HEADREST; TRACK SEAT AWAY FROM  
 TABLE THEN OUTBOARD; FASTEN SHOULDER HARNESS.

78

▲ **DETAIL E**

▲ Required for Dispatch

ARGENTINE INTERIOR PLACARDS AND MARKINGS - FORWARD CABIN  
 FIGURE 01 (SHEET 2)



**DETAIL A**

AJUSTAR EL ARNÉS DE HOMBRO DURANTE  
 EL RODAJE, DESPEGUE Y ATERRIZAJE.

FASTEN SHOULDER HARNESS FOR  
 TAXI, TAKEOFF, AND LANDING.

75

▲ **DETAIL B**

AJUSTAR EL ARNÉS DE HOMBRO DURANTE  
 EL RODAJE, DESPEGUE Y ATERRIZAJE.

CHALECO SALVAVIDAS DEBAJO DEL ASIENTO.

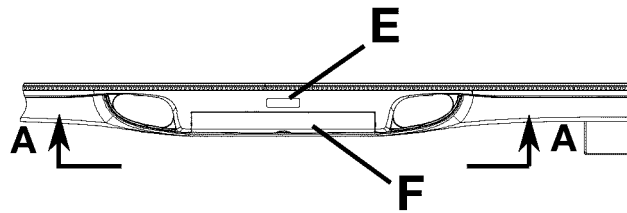
FASTEN SHOULDER HARNESS FOR  
 TAXI, TAKEOFF, AND LANDING.

LIFE VEST IN SEAT BASE.

76

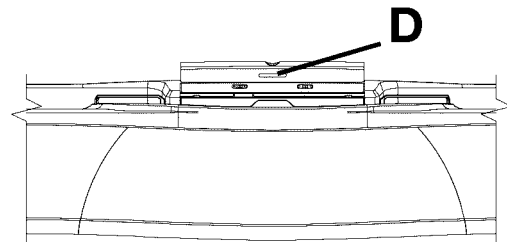
▲ **DETAIL B**

Used with Lifevest



**DETAIL C**

Looking Down on Right Hand Sideledge



**VIEW A-A**

Table Lid Shown in Upright Position

CERRAR LA TAPA DURANTE EL RODAJE,  
 DESPEGUE Y ATERRIZAJE.

CLOSE LID FOR TAXI, TAKEOFF, AND LANDING.

77

▲ **DETAIL D**

6310T1168  
 A6320T1021  
 C6319T1647  
 D6320T1021  
 AA6319T1647



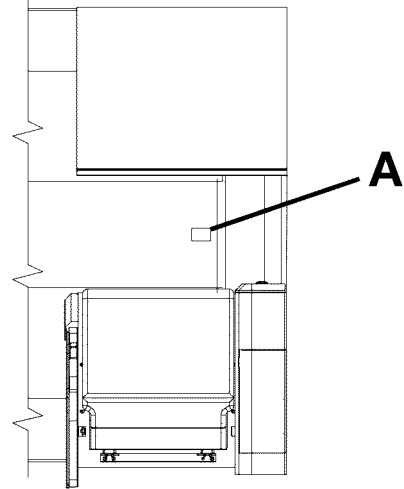
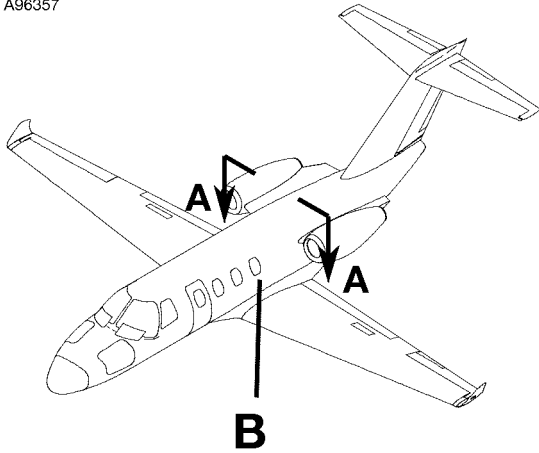
CESSNA®  
**MODEL 525 (SERIALS -0685 AND -0800 AND ON)**  
 ILLUSTRATED PARTS CATALOG

FIG ITEM	PART NUMBER	NOMENCLATURE	UNITS PER ASSY
	1 2 3 4 5 6 7		
01			
75	4316018-17	. PLACARD-SFS WITHOUT CTR ARMREST . . . . .	01 R
76	4316018-16	. PLACARD-SFS WITHOUT CTR ARMREST USED WITH LIFEVEST . . . . .	01 R
77	4316018-18	. PLACARD-TABLE LID INSTRUCTIONS . . . . .	02 R
78	4316018-20	. PLACARD-PASSENGER SEAT INSTRUCTIONS . . . . .	02 R
79	4316018-19	. PLACARD-PASSENGER SEAT INSTRUCTIONS USED WITH LIFEVEST . . . . .	02 R
80	4316018-23	. PLACARD-TABLE INSTRUCTIONS . . . . .	04 R

- ITEM NOT ILLUSTRATED

CESSNA®  
**MODEL 525 (SERIALS -0685 AND -0800 AND ON)**  
 ILLUSTRATED PARTS CATALOG

A96357



**VIEW A-A**

NO FUMAR EN EL BAÑO.  
 ABRIR Y TRABAR LAS PUERTAS CORREDIZAS  
 DURANTE EL RODAJE, DESPEGUE Y ATERRIZAJE.  
 NO SMOKING IN LAVATORY.  
 LATCH SLIDING DOOR OPEN  
 FOR TAXI, TAKEOFF, AND LANDING.

4

**▲ DETAIL C**

Used with Sliding Door

ENTRADA DE AIRE  
 NO BLOQUEAR.  
 AIR INLET  
 DO NOT BLOCK.

1

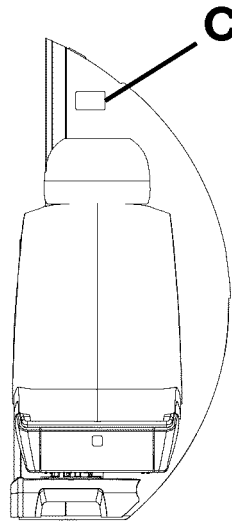
**DETAIL A**

NO FUMAR EN EL BAÑO.  
 PLEGAR LAS CORTINAS DURANTE  
 EL RODAJE, DESPEGUE Y ATERRIZAJE.  
 NO SMOKING IN LAVATORY.  
 STOW CURTAIN  
 FOR TAXI, TAKEOFF, AND LANDING.

3

**▲ DETAIL C**

Used with Curtain



**DETAIL B**

**▲** Required for Dispatch

ARGENTINE INTERIOR PLACARDS AND MARKINGS - AFT CABIN  
 FIGURE 02 (SHEET 1)

6310T1168  
 AA4711T983-13  
 B4711T983-16

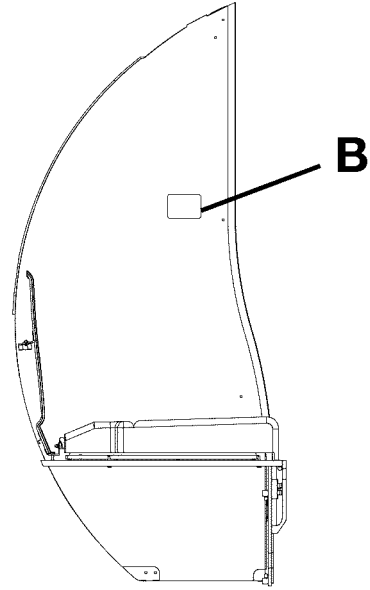
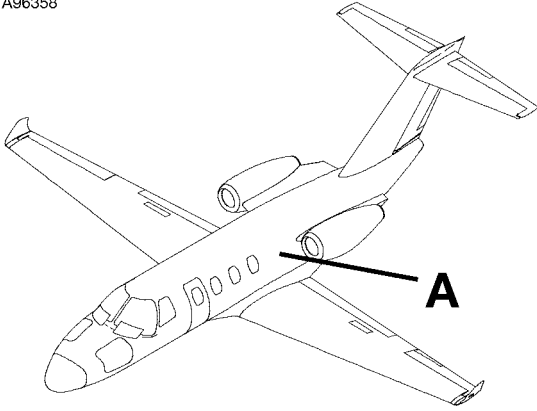
CESSNA®  
**MODEL 525 (SERIALS -0685 AND -0800 AND ON)**  
 ILLUSTRATED PARTS CATALOG

FIG ITEM	PART NUMBER	NOMENCLATURE	UNITS	
			PER	ASSY
02				
-		ARGENTINE INTERIOR PLACARDS AND MARKINGS - AFT CABIN	0833	& ON RF R
1	4316018-22	. PLACARD-AIR INLET . . . . .		01 R
- 2	4717018-8	. PLACARD COVER . . . . .		01 R
3	4316018-25	. PLACARD-AFT CABIN INSTRUCTIONS USED WITH CURTAIN . . . . .		01 R
4	4316018-26	. PLACARD-AFT CABIN INSTRUCTIONS USED WITH SLIDING DOOR . . . . .		01 R

- ITEM NOT ILLUSTRATED

CESSNA®  
**MODEL 525 (SERIALS -0685 AND -0800 AND ON)**  
 ILLUSTRATED PARTS CATALOG

A96358



**DETAIL A**  
 Used with Life Vest

DURANTE EL RODAJE, DESPEGUE Y ATERRIZAJE:  
 PLEGAR LAS CORTINAS;  
 CERRAR TODAS LAS PUERTAS DE LOS ARMARIOS Y  
 COMPARTIMENTOS; AJUSTAR EL ARNÉS DE HOMBRO.  
 CHALECO SALVAVIDAS EN EL ARMARIO DEL ASIENTO.

FOR TAXI, TAKEOFF, AND LANDING:  
 STOW CURTAIN;  
 CLOSE ALL CABINET DOORS AND DRAWERS;  
 FASTEN SHOULDER HARNESS.

LIFE VEST IN SEAT CABINET.

77

▲ **DETAIL B**  
 Used with Curtain

DURANTE EL RODAJE, DESPEGUE Y ATERRIZAJE:  
 ABRIR Y TRABAR LAS PUERTAS CORREDIZAS;  
 CERRAR TODAS LAS PUERTAS DE LOS ARMARIOS Y  
 COMPARTIMENTOS; AJUSTAR EL ARNÉS DE HOMBRO.

FOR TAXI, TAKEOFF, AND LANDING:  
 LATCH SLIDING DOOR OPEN;  
 CLOSE ALL CABINET DOORS AND DRAWERS;  
 FASTEN SHOULDER HARNESS.

76

▲ **DETAIL C**  
 Used with Sliding Door

DURANTE EL RODAJE, DESPEGUE Y ATERRIZAJE:  
 PLEGAR LAS CORTINAS;  
 CERRAR TODAS LAS PUERTAS DE LOS ARMARIOS Y  
 COMPARTIMENTOS; AJUSTAR EL ARNÉS DE HOMBRO.

FOR TAXI, TAKEOFF, AND LANDING:  
 STOW CURTAIN;  
 CLOSE ALL CABINET DOORS AND DRAWERS;  
 FASTEN SHOULDER HARNESS.

78

▲ **DETAIL C**  
 Used with Curtain

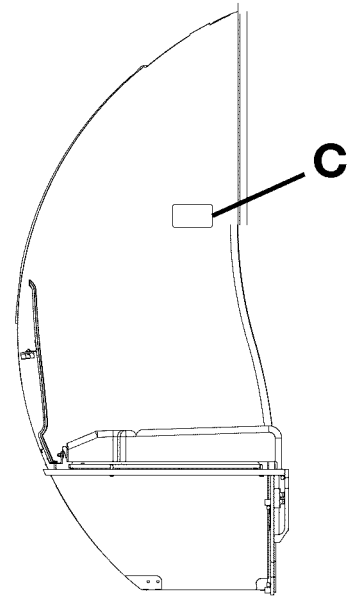
DURANTE EL RODAJE, DESPEGUE Y ATERRIZAJE:  
 ABRIR Y TRABAR LAS PUERTAS CORREDIZAS;  
 CERRAR TODAS LAS PUERTAS DE LOS ARMARIOS Y  
 COMPARTIMENTOS; AJUSTAR EL ARNÉS DE HOMBRO.  
 CHALECO SALVAVIDAS EN EL ARMARIO DEL ASIENTO.

FOR TAXI, TAKEOFF, AND LANDING:  
 LATCH SLIDING DOOR OPEN;  
 CLOSE ALL CABINET DOORS AND DRAWERS;  
 FASTEN SHOULDER HARNESS.

LIFE VEST IN SEAT CABINET.

75

▲ **DETAIL B**  
 Used with Sliding Door



**DETAIL A**

▲ Required for Dispatch

6310T1168  
 A4711T983-18  
 A4711T983-19

ARGENTINE INTERIOR PLACARDS AND MARKINGS - AFT CABIN  
 FIGURE 02 (SHEET 2)

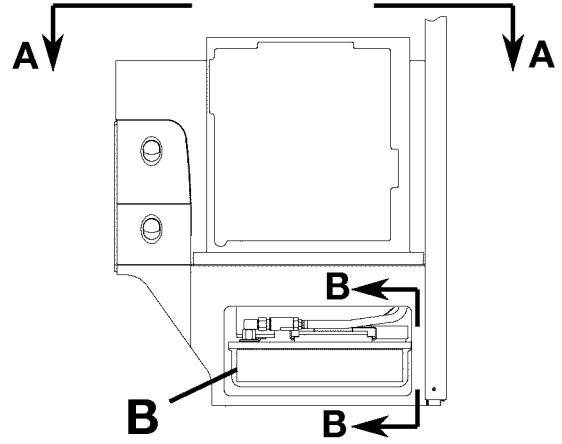
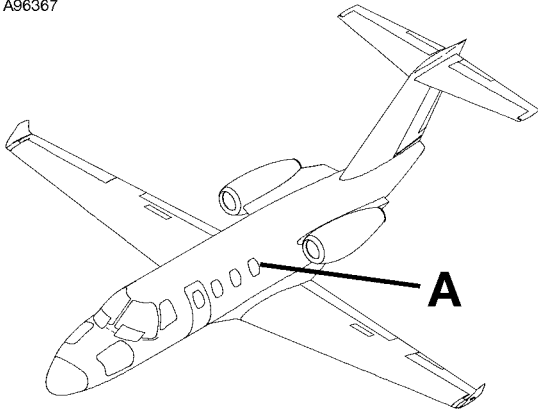
CESSNA®  
**MODEL 525 (SERIALS -0685 AND -0800 AND ON)**  
 ILLUSTRATED PARTS CATALOG

FIG ITEM	PART NUMBER	NOMENCLATURE	UNITS PER ASSY
	1 2 3 4 5 6 7		
02			
75	4316018-27	. PLACARD-LH BELTED TOILET USED WITH SLIDING DOOR AND LIFEVEST . . . . .	01 R
76	4316018-28	. PLACARD-LH BELTED TOILET USED WITH SLIDING DOOR . . . . .	01 R
77	4316018-29	. PLACARD-LH BELTED TOILET USED WITH CURTAIN AND LIFEVEST . . . . .	01 R
78	4316018-30	. PLACARD-LH BELTED TOILET USED WITH CURTAIN . . . . .	01 R

- ITEM NOT ILLUSTRATED

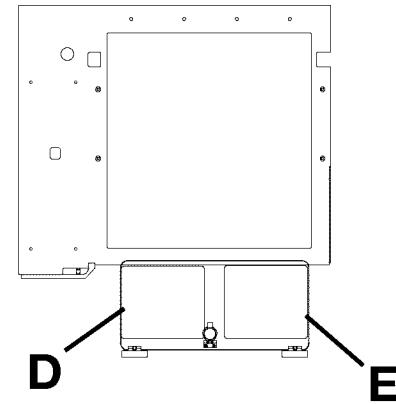
CESSNA®  
**MODEL 525 (SERIALS -0685 AND -0800 AND ON)**  
 ILLUSTRATED PARTS CATALOG

A96367

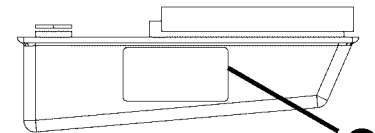


**DETAIL A**

View Looking Outboard



VIEW A-A



VIEW B-B

1 CARRILLO (2) CONJUNTAR EN EL PLATO DE ENSAMBLAJE DE LA CORREERA (2, ARTICULO 6)  
 2 TRABAR (OS SEGUROS A PRESION (2 C/D) EN EL DETALLE 'A' SE MUESTRAN TRABADOS, Y EN EL DETALLE 'B' DESTRABADOS)  
 3 MANGO DE LA VÁLVULA DE CORTE (LA VÁLVULA DE CORTE DEBERÁ ESTAR ABIERTA, EXCEPTO CUANDO SE CIERRE EL TANQUE, EN EL DETALLE 'A' SE MUESTRA ABIERTA, Y EN EL DETALLE 'B' CERRADA.)  
 4 MANGUERA DE VACÍO (CONEXIÓN RÁPIDA)  
 5 NAVAJA DE TRANSPORTE EMPOTRADA  
 6 ENSAMBLE DEL PLATO DE CORREERA.

**PRECAUCIÓN: PARA EVITAR SALPICADURAS**  
 NUNCA CIERRE EL TANQUE ANTES DE CERRAR LA VÁLVULA DE CORTE ARTICULO 3. INSTALAR APROPIADAMENTE EL PLATO DENTRO DE LAS CORREERAS. INSPECCIONAR VISUALMENTE PARA CERCIONARSE QUE NO EXISTE ESPACIO ENTRE EL TANQUE Y LA JUNTA DEL PLATO DE CORREERA. LA VÁLVULA DE CORTE DEBE ESTAR ABIERTA ANTES DEL VUELO.

**3**  
**DETAIL D**

1 SLIDES (2 EACH)  
 2 PRESS-ON FASTENERS (2 EACH) (SHOWN LOCKED IN DETAIL A, UNLOCKED IN DETAIL B.)  
 3 KNIFE VALVE HANDLE  
 4 KNIFE VALVE OPENED (EXCEPT FOR TANK REMOVAL) (SHOWN OPEN IN DETAIL A, CLOSED IN DETAIL B.)  
 5 FLUSH HOSE (DUICK CONNECT)  
 6 SLIDE PLATE ASSEMBLY

**CAUTION: TO AVOID SPILLAGE**  
 DO NOT REMOVE TANK BEFORE CLOSING KNIFE VALVE ITEM 3. PROPERLY INSTALL SLIDES INTO SLIDE PLATE. VISUALLY INSPECT THAT NO GAP EXISTS BETWEEN TANK AND SLIDE PLATE GASKET. KNIFE VALVE TO BE OPENED BEFORE FLIGHT.

**4**  
**DETAIL E**

EL QUIMICO DEL BAÑO ES CORROSIVO, TENER EXTREMO CUIDADO PARA PREVENIR DERRAMES, SEGUIR CON CUIDADO LAS INSTRUCCIONES DE MANTENIMIENTO, LIMPIAR INMEDIATAMENTE CUALQUIER DERRAME E INFORMAR A LA TRIPULACION.

TOILET CHEMICAL IS CORROSIVE. USE EXTREME CARE TO PREVENT SPILLAGE. FOLLOW SERVICING INSTRUCTIONS CAREFULLY. CLEAN ANY SPILLAGE IMMEDIATELY AND REPORT IT TO THE CREW.

**2**  
**DETAIL C**

<p><b>INSTRUCCIONES DE SERVICIO</b></p> <p>1. REMOCIÓN DEL TANQUE:                  1.1. OPERAR EL ANILLO EN LA CUPLA DE DESCONEXIÓN RÁPIDA UBICADA EN LA PARTE SUPERIOR DEL TANQUE.                  1.2. VACIAR LA TUBERÍA DE DRENAJE DESMONTANDO PARCIALMENTE EL ENCHUFE DEL DESCONECTOR RÁPIDO (SE PUEDE MANIPULAR LA MANGUERA PARA AYUDAR EN EL DRENAJE).                  1.3. DESMONTAR EL ENCHUFE DEL DESCONECTOR RÁPIDO Y COLOCAR LA TUBERÍA DE DRENAJE EN SU SANCHEO DE SOPORTE.                  1.4. INSERTAR EL PINCHUFE SITUADO EN LA PARTE SUPERIOR DEL TANQUE DENTRO DE LA ABERTURA DEL DESCONECTOR RÁPIDO (COMO CORRESPONDA).                  1.5. CERRAR LA VÁLVULA DE CORTE EMPUJANDO EL MANGO HASTA QUE LA VÁLVULA SE HAYA ASENTADO TOTALMENTE.                  1.6. DESTRABAR EL TANQUE LIBRANDO LOS SUIJETADORES.                  1.7. REMOVER EL TANQUE TIRANDO HACIA ÚSTED.</p>	<p><b>2. LIMPIEZA DEL TANQUE:</b>                  2.1. QUITAR LA TAPA DE DRENAJE UBICADA EN LA PARTE SUPERIOR DEL TANQUE.                  2.2. PARA DRENAJE, VACIAR EL TANQUE EN ALGUNA ALCANTARILLA O BARRIO.                  2.3. GIRAR EL TANQUE HACIA ARRIBA Y LLENARLO CON AGUA LIMPIA HASTA LA MITAD.                  2.4. REPETIR EL PÁRRAFO 2.3 HASTA QUE SE HAYA LIMPIADO EL TANQUE METICULOSAMENTE.                  2.5. LIMPIE TODAS LAS SUPERFICIES DEL TANQUE USANDO UN TRAPO LIMPIO REMOJADO CON DESINFECTANTE.                  2.6. PRECARGA DEL TANQUE:                  2.1. PRECARGAR EL TANQUE CON UNA MEZCLA DE 2 LITROS DE AGUA LIMPIA Y UN PAQUETE DEL AGENTE QUIMICO MONDORAM O4 03 O EQUIVALENTE.                  2.2. SE PUEDE AÑADIR UN ANTICONGELANTE A BASE DE ETILENO GLICOL PARA EVITAR QUE SE CONGELÉ LA SOLUCIÓN DEL DERRAME.                  2.3. INSTALACIÓN DEL TANQUE:                  4.1. INSTALAR EL TANQUE SEGÚN EL PÁRRAFO 1.1. HASTA EL 1.7 EN ORDEN INVERSO.                  4.2. DESPUÉS DE LA INSTALACIÓN, COMPRUEBE EL FUNCIONAMIENTO DEL BARRIO.</p>	<p><b>SERVICE INSTRUCTIONS</b></p> <p>1. TANK REMOVAL:                  1.1. DEPRESS SLIDING RING ON QUICK DISCONNECT COUPLING LOCATED ON TANK TOP.                  1.2. DRAIN FLUSH LINE BY PARTIALLY DISCONNECTING PLUG FROM QUICK DISCONNECT. HOSE MAY BE MANIPULATED TO ASSIST DRAINAGE.                  1.3. DISMOUNT PLUG FROM QUICK DISCONNECT AND PLACE FLUSH LINE INTO SET DRAIN HANGER.                  1.4. INSERT PLUG ATTACHED TO TANK TOP INTO THE QUICK DISCONNECT OPENING. (AS APPLICABLE)                  1.5. CLOSE KNIFE VALVE BY PUSHING THE HANDLE IN. UNTIL VALVE IS FULLY SEATED.                  1.6. UNLOCK TANK BY RELEASED FASTENERS.                  1.7. REMOVE TANK BY PULLING TOWARDS YOU.</p> <p>2. TANK CLEANING:                  2.1. REMOVE DRAIN CAP LOCATED ON TOP OF TANK.                  2.2. TO DRAIN, EMPTY TANK OVER SEWER OR TOILET.                  2.3. TURN TANK UPRIGHT AND FILL ONE HALF FULL WITH CLEAN WATER. REPLACE DRAIN CAP AND SHAKE TANK THOROUGHLY. DRAIN TANK AS DESCRIBED BY PARA. 2.1 AND 2.2.                  2.4. REPEAT PARA. 2.3 UNTIL TANK IS THOROUGHLY CLEANED.                  2.5. WIPE ALL SURFACES ON TANK USING A CLEAN CLOTH MOISTENED WITH DISINFECTANT.                  2.6. TANK PRECHARGE:                  3.1. PRECHARGE TANK WITH MIXTURE OF 2 QUARTS OF CLEAR WATER AND A PACKET OF MONDORAM O4 03 CHEMICAL OR ITS EQUIVALENT.                  3.2. ETHYLENE GLYCOL BASE ANTI-FREEZE MAY BE ADDED TO FLUSHING SOLUTION TO PREVENT FREEZING.                  4. TANK INSTALLATION:                  4.1. INSTALL TANK FOLLOWING PARA.1.1 THRU PARA.1.7 IN REVERSE ORDER.                  4.2. AFTER INSTALLATION, CHECK TOILET OPERATION.</p>
----------------------------------------------------------------------------------------------------------------------------------------------------------------------------------------------------------------------------------------------------------------------------------------------------------------------------------------------------------------------------------------------------------------------------------------------------------------------------------------------------------------------------------------------------------------------------------------------------------------------------------------------------------------------------------------------------------------------------------------------------------------------------------------------------------------------------------------------------------------------------------------------------------------------------------------	-----------------------------------------------------------------------------------------------------------------------------------------------------------------------------------------------------------------------------------------------------------------------------------------------------------------------------------------------------------------------------------------------------------------------------------------------------------------------------------------------------------------------------------------------------------------------------------------------------------------------------------------------------------------------------------------------------------------------------------------------------------------------------------------------------------------------------------------------------------------------------------------------------------------------------------------------------------------------------------------------------------------------------------------------------------------------------------------------------------------------------------------------------------	-----------------------------------------------------------------------------------------------------------------------------------------------------------------------------------------------------------------------------------------------------------------------------------------------------------------------------------------------------------------------------------------------------------------------------------------------------------------------------------------------------------------------------------------------------------------------------------------------------------------------------------------------------------------------------------------------------------------------------------------------------------------------------------------------------------------------------------------------------------------------------------------------------------------------------------------------------------------------------------------------------------------------------------------------------------------------------------------------------------------------------------------------------------------------------------------------------------------------------------------------------------------------------------------------------------------------------------------------------------------------------------------------------------------------------------------------------------------------------------------------------------------------------------------------------------------------------------------------------------------------------------------------------------------------------------------------------------------------------------------------------------------------------------------------------------------------

**1**  
**DETAIL B**

ARGENTINE INTERIOR PLACARDS AND MARKINGS - LAVATORY  
 FIGURE 01 (SHEET 1)

6310T1168  
 AA4711T983-5  
 AA4711T983-5  
 BB4711T983-5

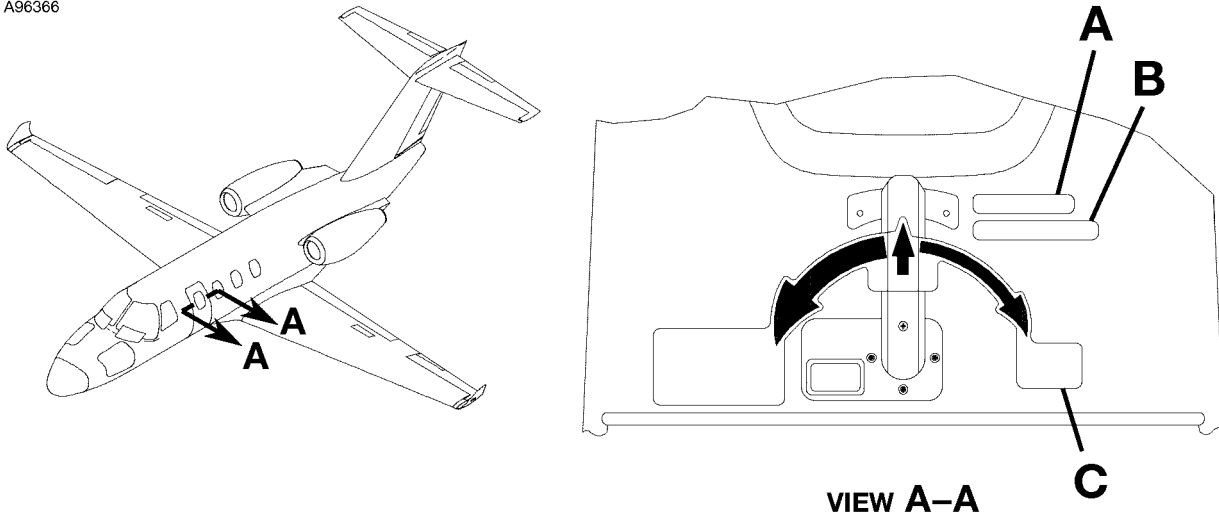
CESSNA®  
**MODEL 525 (SERIALS -0685 AND -0800 AND ON)**  
 ILLUSTRATED PARTS CATALOG

FIG ITEM	PART NUMBER	1 2 3 4 5 6 7	NOMENCLATURE	UNITS PER ASSY		
				0833	& ON	RF R
01			ARGENTINE INTERIOR PLACARDS AND MARKINGS - LAVATORY			
-						
1	4316018-33		. PLACARD-TOILET SERVICING TANK . . . . .			01 R
2	4316018-32		. PLACARD-TOILET CARE . . . . .			01 R
3	4316018-31		. PLACARD-TOILET SERVICING SPANISH . . . . .			01 R
4	4316002-36		. PLACARD-TOILET SERVICING ENGLISH . . . . .			01 R

- ITEM NOT ILLUSTRATED

CESSNA®  
MODEL 525 (SERIALS -0685 AND -0800 AND ON)  
ILLUSTRATED PARTS CATALOG

A96366



**TO RELEASE: PUSH BUTTON,  
PULL TRIGGER ON HANDLE.**

1

▲ **DETAIL A**

**PARA SOLTAR, PRESIONE EL BOTÓN  
Y TIRE DEL GATILLO EN LA MANIJA**

2

▲ **DETAIL B**



3

▲ **DETAIL C**

▲ Required for Dispatch

6310T1168  
AA4711T983-3

ARGENTINE INTERIOR PLACARDS AND MARKINGS - CABIN DOOR  
FIGURE 01 (SHEET 1)



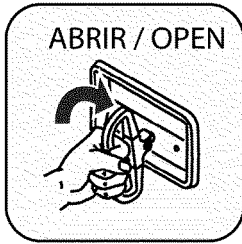
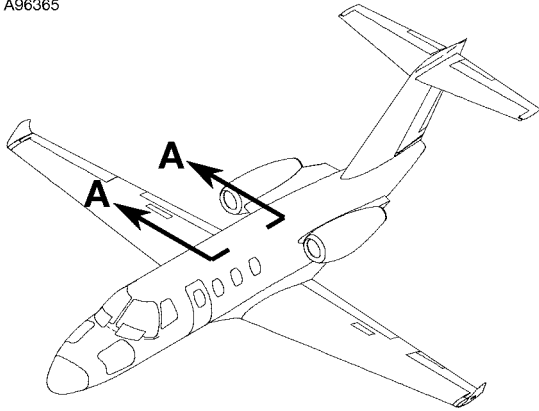
CESSNA®  
**MODEL 525 (SERIALS -0685 AND -0800 AND ON)**  
 ILLUSTRATED PARTS CATALOG

FIG ITEM	PART NUMBER	NOMENCLATURE	UNITS PER ASSY		
			1	2	3
01					
-		ARGENTINE INTERIOR PLACARDS AND MARKINGS - CABIN DOOR	0833	& ON	RF R
1	4316002-19	. DECAL-PUSH BUTTON ENGLISH . . . . .			01 R
2	4316018-14	. DECAL-PUSH BUTTON SPANISH . . . . .			01 R
3	4316018-13	. DECAL-HANDLE OPERATION. . . . .			01 R

- ITEM NOT ILLUSTRATED

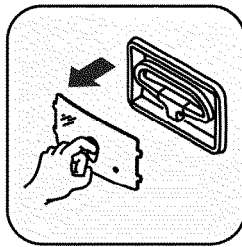
CESSNA®  
**MODEL 525 (SERIALS -0685 AND -0800 AND ON)**  
 ILLUSTRATED PARTS CATALOG

A96365



2

▲ **DETAIL E**



1

▲ **DETAIL D**

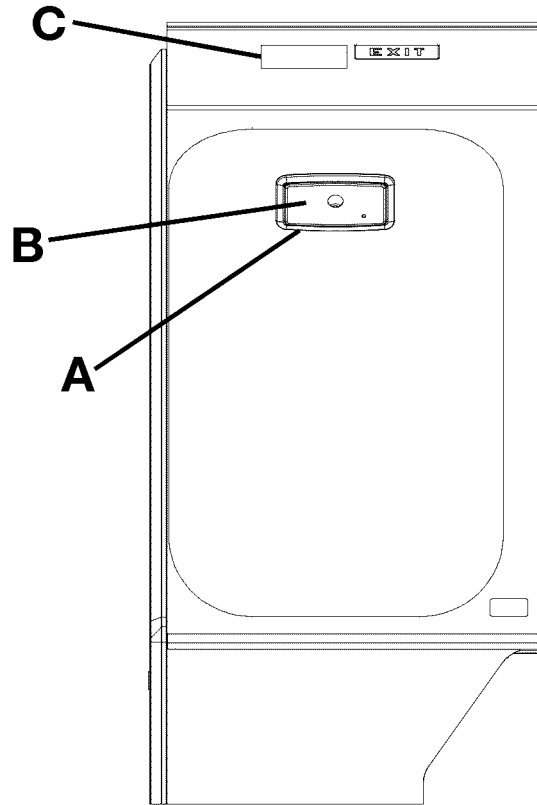
**SALIDA**

3

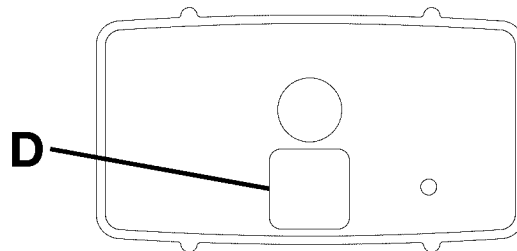
**DETAIL C**

▲ Required for Dispatch

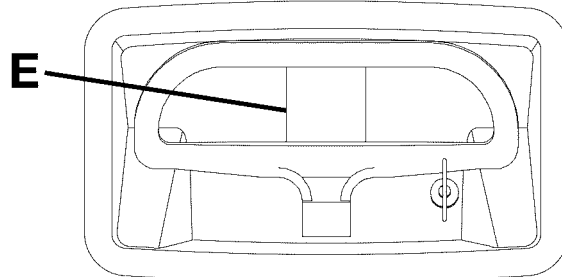
ARGENTINE INTERIOR PLACARDS AND MARKINGS - ESCAPE HATCH  
 FIGURE 02 (SHEET 1)



**VIEW A-A**



**DETAIL A**



**DETAIL B**

6310T1168  
 AA4711T983-17  
 A-B4711T983-17

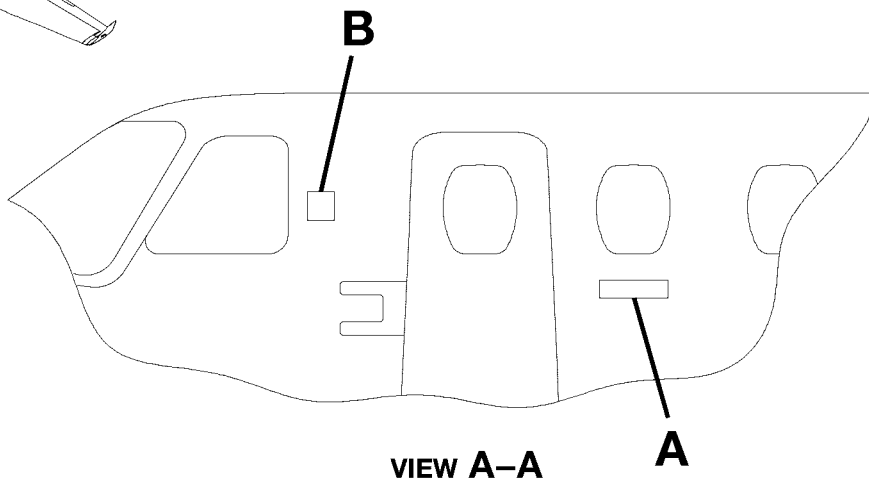
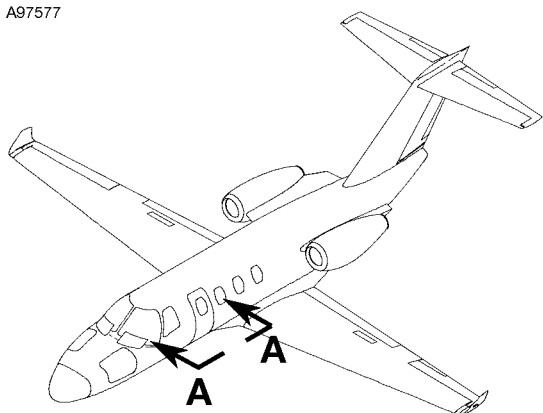
CESSNA®  
**MODEL 525 (SERIALS -0685 AND -0800 AND ON)**  
 ILLUSTRATED PARTS CATALOG

FIG ITEM	PART NUMBER	NOMENCLATURE	UNITS PER ASSY		
			1	2	3
02					
-		ARGENTINE INTERIOR PLACARDS AND MARKINGS - ESCAPE HATCH	0833	& ON	RF R
1	4316002-26	. PLACARD-REMOVE COVER . . . . .			01 R
2	4316018-24	. PLACARD-OPEN . . . . .			01 R
3	4416070-101	. PLACARD-EXIT . . . . .			01 R

- ITEM NOT ILLUSTRATED

CESSNA®  
MODEL 525 (SERIALS -0685 AND -0800 AND ON)  
ILLUSTRATED PARTS CATALOG

A97577



3  
DETAIL B

CITATION  
M2

1  
DETAIL A

LUXEMBOURG EXTERIOR PLACARDS AND MARKINGS - FUSELAGE  
FIGURE 02 (SHEET 1)

6310T1168  
AA6314T1174

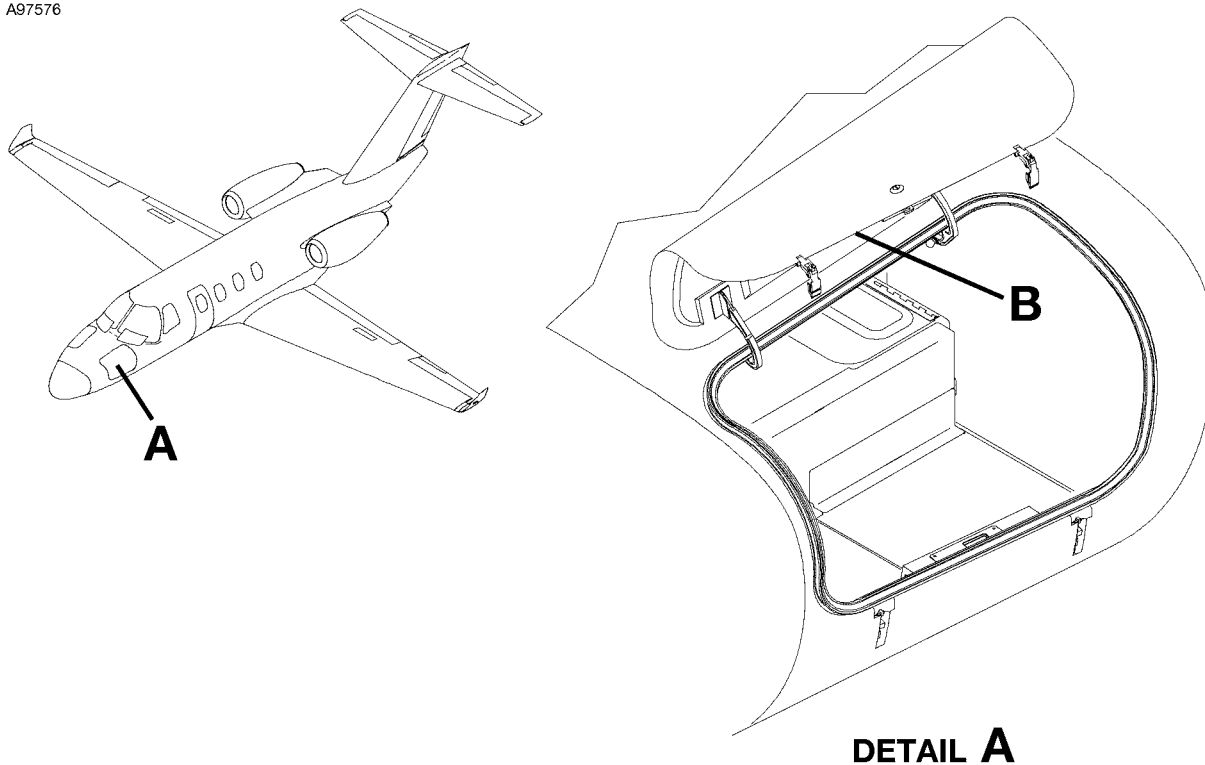
CESSNA®  
**MODEL 525 (SERIALS -0685 AND -0800 AND ON)**  
 ILLUSTRATED PARTS CATALOG

FIG ITEM	PART NUMBER	NOMENCLATURE	UNITS PER ASSY
	1 2 3 4 5 6 7		
02		LUXEMBOURG EXTERIOR PLACARDS AND MARKINGS - FUSELAGE	0842 & ON RF R
-			
- 1	4416001-32	. DECAL-M2 INSIGNIA . . . . .	02 R
- 2	4416001-31	. PAINTMASK-M2 INSIGNIA . . . . .	01 R
- 3	6505010-124	. DECAL-CESSNA LOGO . . . . .	02 R
- 4	6505010-123	. PAINTMASK-CESSNA LOGO . . . . .	01 R

- ITEM NOT ILLUSTRATED

CESSNA®  
**MODEL 525 (SERIALS -0685 AND -0800 AND ON)**  
ILLUSTRATED PARTS CATALOG

A97576



**MAXIMUM WEIGHT ALLOWANCE  
400 LBS (181 KG).  
MAXIMUM FLOOR LOADING  
35 LBS/FT<sup>2</sup> (170 KG/M<sup>2</sup>).  
SEE AFM FOR WEIGHT  
AND BALANCE DATA.**

1

▲ **DETAIL B**

▲ Required for Dispatch

LUXEMBOURG EXTERIOR PLACARDS AND MARKINGS - NOSE BAGGAGE  
FIGURE 01 (SHEET 1)

6310T1168  
A6313T1003

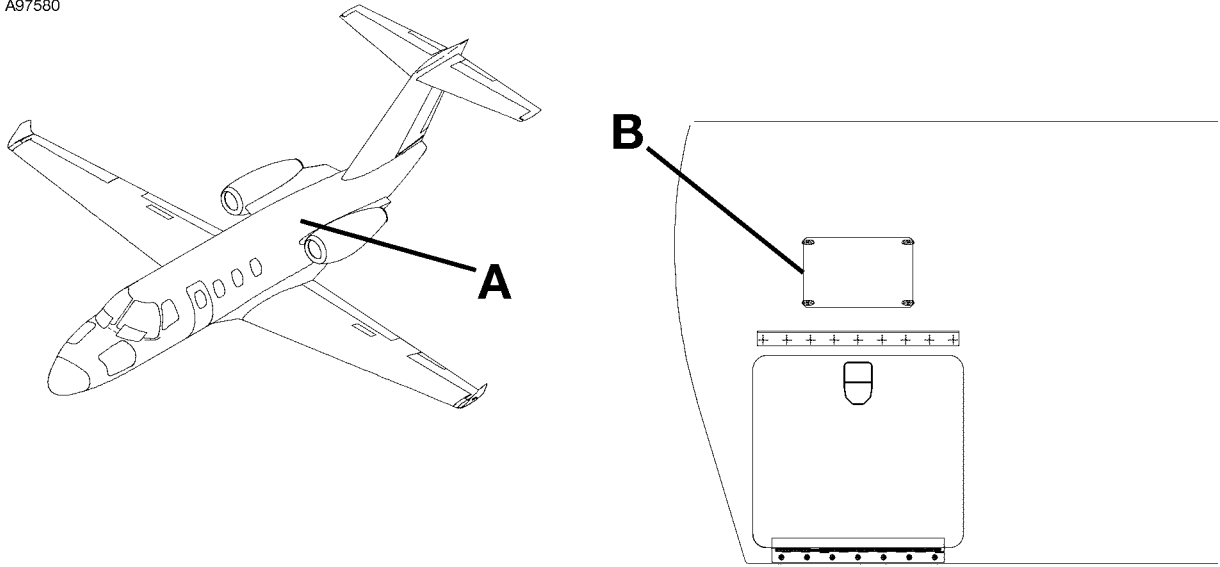
CESSNA®  
**MODEL 525 (SERIALS -0685 AND -0800 AND ON)**  
 ILLUSTRATED PARTS CATALOG

FIG ITEM	PART NUMBER	1 2 3 4 5 6 7	NOMENCLATURE	UNITS PER ASSY		
01						
-			LUXEMBOURG EXTERIOR PLACARDS AND MARKINGS - NOSE BAGGAGE	0842	& ON	RF R
1	4416000-163		. PLACARD-NOSE BAGGAGE WEIGHT . . . . .			02 R

- ITEM NOT ILLUSTRATED

CESSNA®  
**MODEL 525 (SERIALS -0685 AND -0800 AND ON)**  
ILLUSTRATED PARTS CATALOG

A97580



**DETAIL A**

Looking Forward at Left Hand Side Forward Wall

⊕

**MAXIMUM WEIGHT ALLOWANCE  
325 LBS (147 KG).  
MAXIMUM FLOOR LOADING  
100 LBS/FT<sup>2</sup> (488 KG/M<sup>2</sup>).  
SEE AFM FOR WEIGHT AND BALANCE DATA.**

**SECURE BAGGAGE WITH CARGO NET.**

**LATCH ALL DOORS PRIOR TO FLIGHT.**

⊕

1

**▲ DETAIL B**

**▲** Required for Dispatch

6310T1168  
A6312T1220

LUXEMBOURG EXTERIOR PLACARDS AND MARKINGS - AFT BAGGAGE  
FIGURE 02 (SHEET 1)



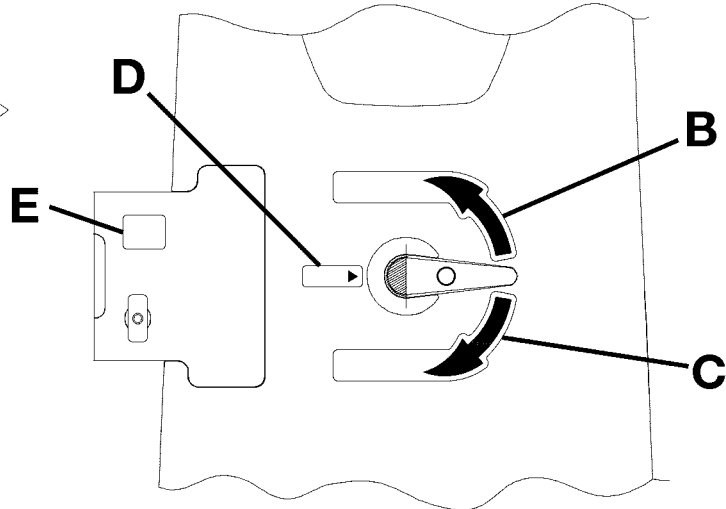
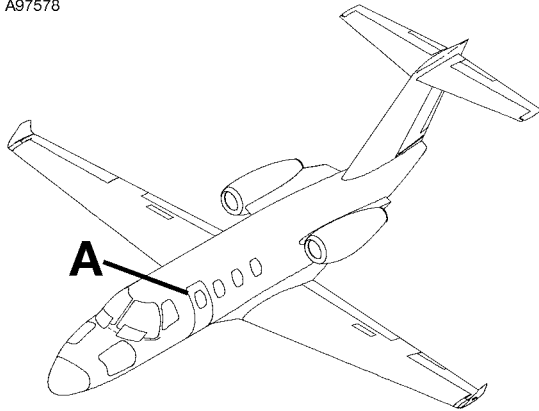
CESSNA®  
**MODEL 525 (SERIALS -0685 AND -0800 AND ON)**  
 ILLUSTRATED PARTS CATALOG

FIG ITEM	PART NUMBER	NOMENCLATURE	UNITS PER ASSY	
			1 2 3 4 5 6 7	
02				
-		LUXEMBOURG EXTERIOR PLACARDS AND MARKINGS - AFT BAGGAGE	0842	& ON RF
1	4416004-58	. PLACARD-MAX BAGGAGE WEIGHT 325LB . . . . .		01 R
		ATTACHING PARTS		
- 2	MS35214-14	. SCREW . . . . .		04 R
- 3	MS21069L04	. NUTPLATE . . . . .		04 R
		—*—		

- ITEM NOT ILLUSTRATED

CESSNA®  
**MODEL 525 (SERIALS -0685 AND -0800 AND ON)**  
 ILLUSTRATED PARTS CATALOG

A97578



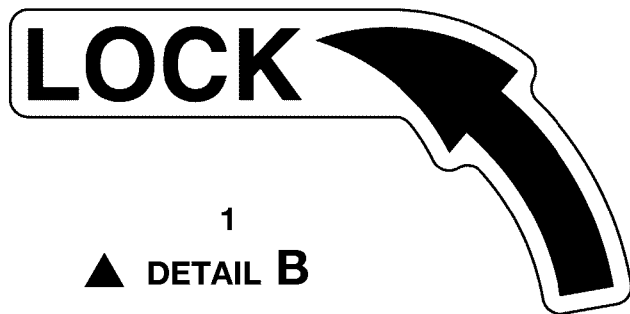
**DETAIL A**

(View Looking Inboard at Entry Door)

**DOOR CATCH  
 RELEASE INSIDE  
 BEHIND THIS  
 PLACARD. RAISE  
 STEPS BEFORE  
 CLOSING DOOR.**

4

**DETAIL E**



1

▲ **DETAIL B**



3

▲ **DETAIL D**  
 ▲ Required for Dispatch



2

▲ **DETAIL C**

6310T1168  
 A6319T1646

LUXEMBOURG EXTERIOR PLACARDS AND MARKINGS - CABIN DOOR  
 FIGURE 01 (SHEET 1)

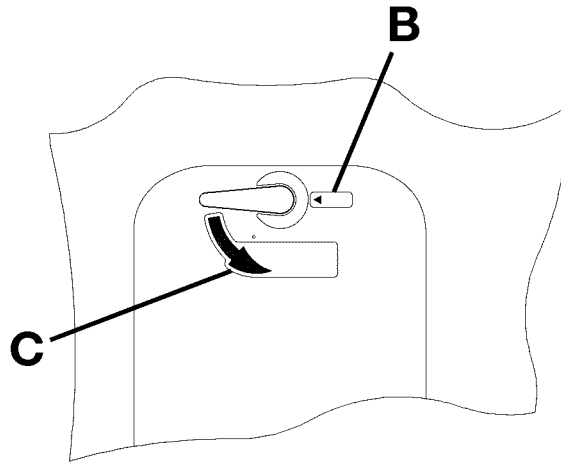
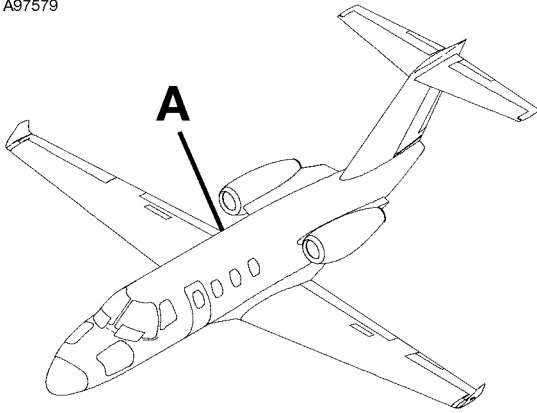
CESSNA®  
**MODEL 525 (SERIALS -0685 AND -0800 AND ON)**  
 ILLUSTRATED PARTS CATALOG

FIG ITEM	PART NUMBER	1 2 3 4 5 6 7	NOMENCLATURE	UNITS PER ASSY		
01			LUXEMBOURG EXTERIOR PLACARDS AND MARKINGS - CABIN DOOR	0842	& ON	RF R
-						
1	4316002-16		. DECAL-LOCK .....			01 R
2	4316002-17		. DECAL-OPEN .....			01 R
3	4316002-15		. DECAL-PUSH .....			01 R
4	4416000-172		. PLACARD-PRECATCH HANDLE .....			01 R

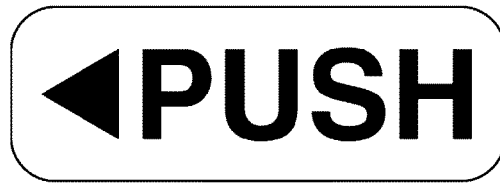
- ITEM NOT ILLUSTRATED

CESSNA®  
MODEL 525 (SERIALS -0685 AND -0800 AND ON)  
ILLUSTRATED PARTS CATALOG

A97579



**DETAIL A**  
Looking Inboard at Escape Hatch



2  
▲ **DETAIL B**



1  
▲ **DETAIL C**

▲ Required for Dispatch

6310T1168  
A4711953-2

LUXEMBOURG EXTERIOR PLACARDS AND MARKINGS - ESCAPE HATCH  
FIGURE 02 (SHEET 1)

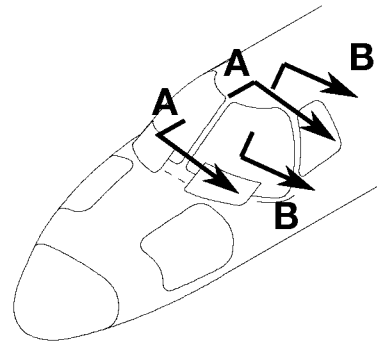
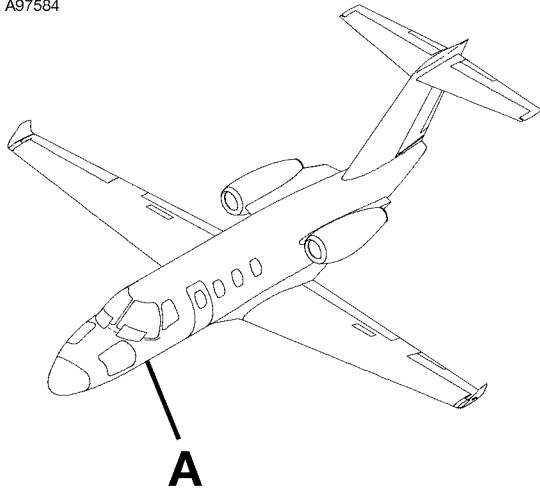
CESSNA®  
**MODEL 525 (SERIALS -0685 AND -0800 AND ON)**  
 ILLUSTRATED PARTS CATALOG

FIG ITEM	PART NUMBER	1 2 3 4 5 6 7	NOMENCLATURE	UNITS PER ASSY		
02						
-			LUXEMBOURG EXTERIOR PLACARDS AND MARKINGS - ESCAPE HATCH	0842	& ON	RF R
1	4316002-1		. DECAL-EMERGENCY EXIT OPEN . . . . .			01 R
2	4316002-2		. DECAL-EMERGENCY EXIT PUSH . . . . .			01 R

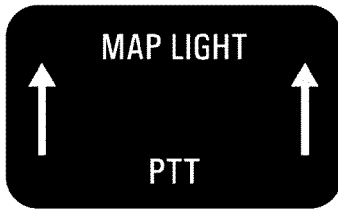
- ITEM NOT ILLUSTRATED

CESSNA®  
**MODEL 525 (SERIALS -0685 AND -0800 AND ON)**  
 ILLUSTRATED PARTS CATALOG

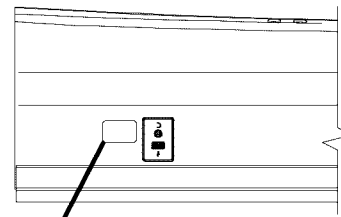
A97584



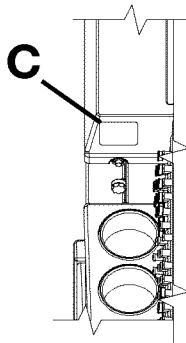
**DETAIL A**



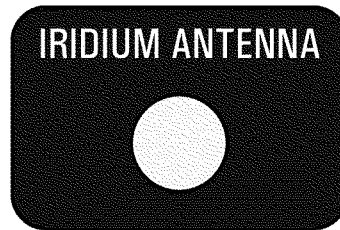
**2**  
**DETAIL C**



**B**  
**VIEW A-A**



**VIEW B-B**  
 View Looking at Left Hand Side Console



**1**  
**DETAIL B**

6310T1168  
 B6310T1168  
 AA6310T1183  
 BB6310T1184

LUXEMBOURG INTERIOR PLACARDS AND MARKINGS - LH CONSOLE  
 FIGURE 04 (SHEET 1)

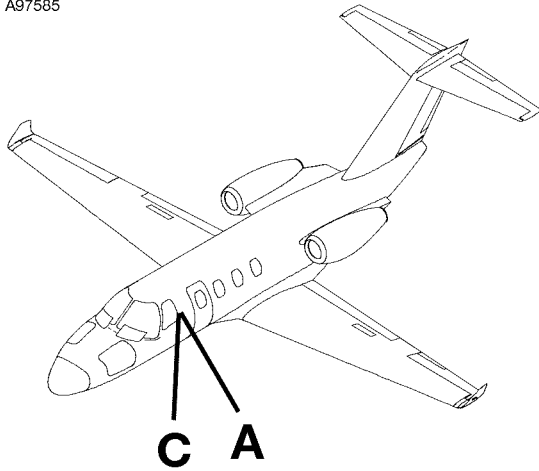
CESSNA®  
**MODEL 525 (SERIALS -0685 AND -0800 AND ON)**  
 ILLUSTRATED PARTS CATALOG

FIG ITEM	PART NUMBER	1 2 3 4 5 6 7	NOMENCLATURE	UNITS PER ASSY		
04			LUXEMBOURG INTERIOR PLACARDS AND MARKINGS - LH CONSOLE	0842	& ON	RF R
-						
1	4316002-35		. PLACARD-IRIDIUM ANTENNA . . . . .			01 R
2	4316002-38		. PLACARD-MAP LIGHT . . . . .			02 R

- ITEM NOT ILLUSTRATED

CESSNA®  
**MODEL 525 (SERIALS -0685 AND -0800 AND ON)**  
 ILLUSTRATED PARTS CATALOG

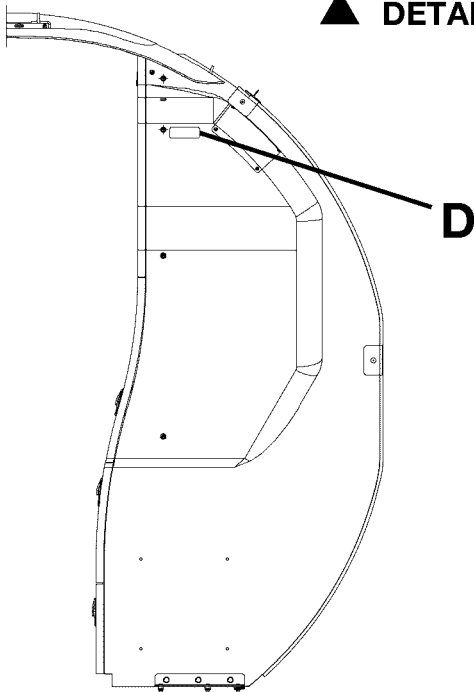
A97585



STOW CURTAIN FOR  
 TAXI, TAKEOFF, AND LANDING.

2

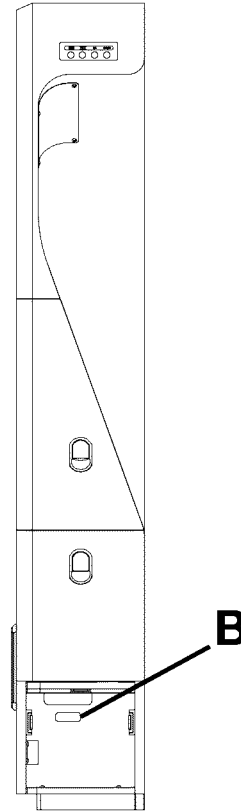
▲ **DETAIL D**



**DETAIL C**

Looking Aft at Left Hand Cabinet Assembly

▲ Required for Dispatch



**DETAIL A**

CABIN BRIEFER  
 PROGRAM LOAD PORT

1

**DETAIL B**

LUXEMBOURG INTERIOR PLACARDS AND MARKINGS - FLIGHT COMPARTMENT  
 FIGURE 05 (SHEET 1)

6310T1168  
 A471T1953  
 C471T1953



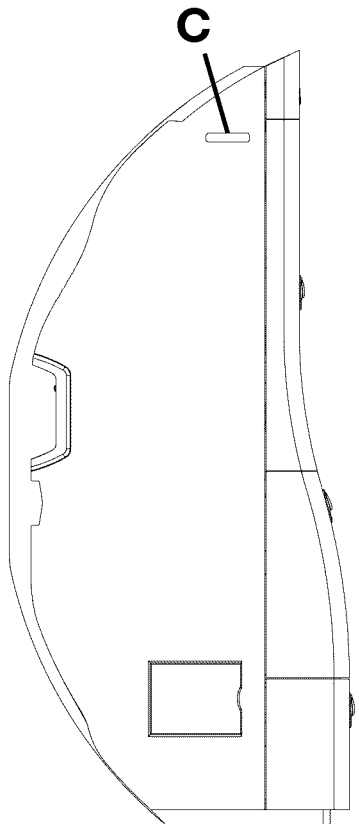
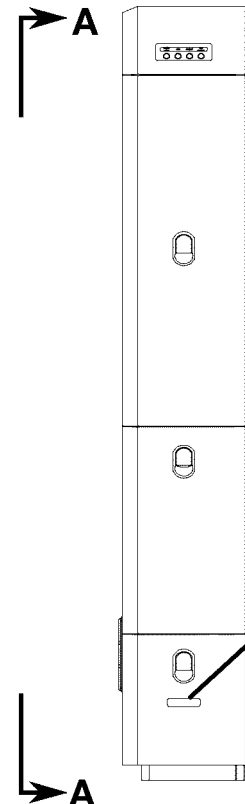
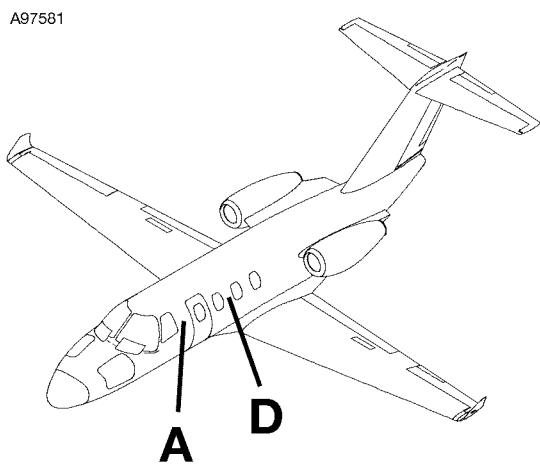
CESSNA®  
**MODEL 525 (SERIALS -0685 AND -0800 AND ON)**  
 ILLUSTRATED PARTS CATALOG

FIG ITEM	PART NUMBER	1 2 3 4 5 6 7	NOMENCLATURE	UNITS PER ASSY		
05			LUXEMBOURG INTERIOR PLACARDS AND MARKINGS - FLIGHT	0842	& ON	RF R
-			COMPARTMENT			
1	4316002-40		. PLACARD-CABIN BRIEFER PORT . . . . .			01 R
2	4316002-8		. PLACARD-CURTAIN STOWAGE . . . . .			01 R

- ITEM NOT ILLUSTRATED

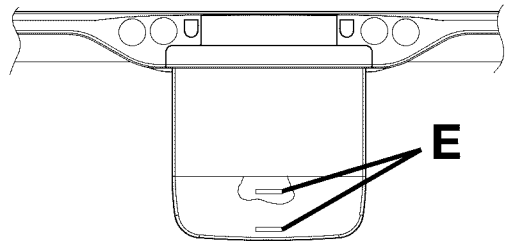
CESSNA®  
**MODEL 525 (SERIALS -0685 AND -0800 AND ON)**  
 ILLUSTRATED PARTS CATALOG

A97581



**STOW FOR TAXI, TAKEOFF, AND LANDING.**

**3**  
 ▲ **DETAIL E**



**DETAIL D**

Looking Down on Right Hand Side Deployed Table,  
 Left Hand Side Opposite

**DETAIL A**

**VIEW A-A**

**CLOSE ALL CABINET DOORS AND DRAWERS  
 FOR TAXI, TAKEOFF, AND LANDING.**

**2**  
 ▲ **DETAIL C**

**NO CIGARETTE DISPOSAL;  
 METAL TRASH LINER REQUIRED.**

**1**  
 ▲ **DETAIL B**

▲ Required for Dispatch

6310T1168  
 A6320T1021  
 AA6320T1021  
 D6320T1021

LUXEMBOURG INTERIOR PLACARDS AND MARKINGS - FORWARD CABIN  
 FIGURE 01 (SHEET 1)

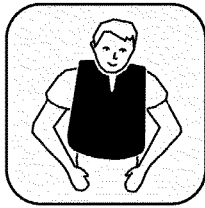
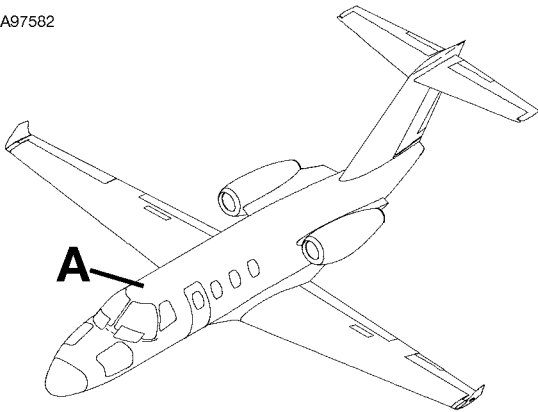
CESSNA®  
**MODEL 525 (SERIALS -0685 AND -0800 AND ON)**  
 ILLUSTRATED PARTS CATALOG

FIG ITEM	PART NUMBER	NOMENCLATURE	UNITS PER ASSY	
			1 2 3 4 5 6 7	
01				
-		LUXEMBOURG INTERIOR PLACARDS AND MARKINGS - FORWARD CABIN	0842	& ON RF R
1	4316002-20	. PLACARD-TRASH CONTAINER . . . . .		01 R
2	4316002-23	. PLACARD-CABINET DOOR INSTRUCTIONS . . . . .		01 R
3	4316002-200	. PLACARD-TABLE INSTRUCTIONS . . . . .		04 R

- ITEM NOT ILLUSTRATED

CESSNA®  
**MODEL 525 (SERIALS -0685 AND -0800 AND ON)**  
 ILLUSTRATED PARTS CATALOG

A97582



79

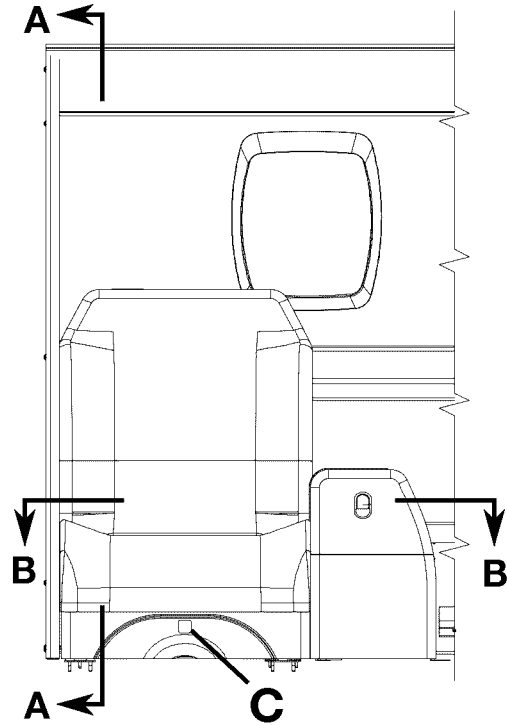
▲ **DETAIL C**

**FASTEN SHOULDER HARNESS FOR TAXI, TAKEOFF, AND LANDING.**



77

▲ **DETAIL D**



**DETAIL A**

Looking Outboard at Side Facing Seat

76

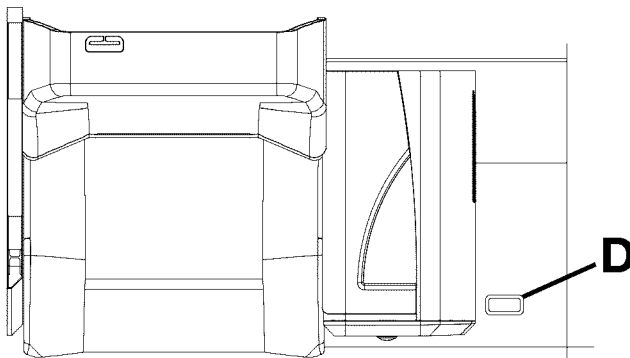
▲ **DETAIL B**

**FASTEN SHOULDER HARNESS FOR TAXI, TAKEOFF, AND LANDING**

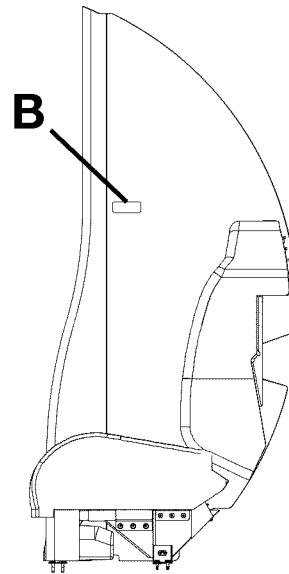
**LIFE VEST IN SEAT BASE.**

75

▲ **DETAIL B**



**VIEW B-B**



**VIEW A-A**

6310T1168  
 A6320T1021  
 AA6320T1021  
 BB6320T1021

▲ Required for Dispatch

LUXEMBOURG INTERIOR PLACARDS AND MARKINGS - FORWARD CABIN  
 FIGURE 01 (SHEET 2)

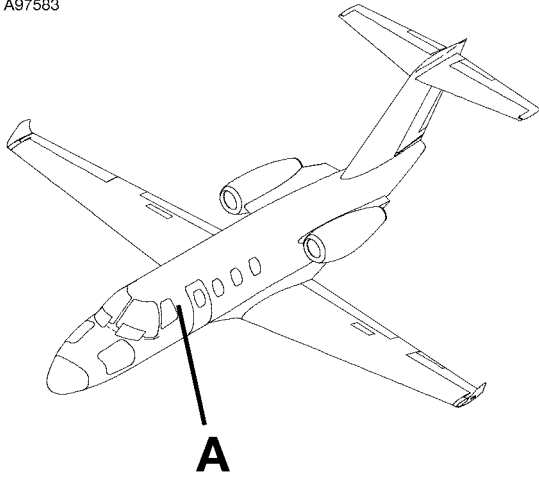
CESSNA®  
**MODEL 525 (SERIALS -0685 AND -0800 AND ON)**  
 ILLUSTRATED PARTS CATALOG

FIG ITEM	PART NUMBER	NOMENCLATURE	UNITS
			PER ASSY
01			
75	4316002-21	. PLACARD-SIDE FACING SEAT INSTRUCTIONS . . . . .	01 R
76	4316002-44	. PLACARD-SIDE FACING SEAT INSTRUCTIONS W/O ARMREST . . . . .	01 R
77	4316002-24	. PLACARD-AIR INLET . . . . .	01 R
- 78	4717018-3	. PLACARD-COVER . . . . .	01 R
79	4316002-32	. PLACARD-LIFE VEST . . . . .	01 R

- ITEM NOT ILLUSTRATED

CESSNA®  
MODEL 525 (SERIALS -0685 AND -0800 AND ON)  
ILLUSTRATED PARTS CATALOG

A97583



STOW CURTAIN FOR  
TAXI, TAKEOFF, AND LANDING.

150  
▲ **DETAIL B**



**DETAIL A**

View Looking Aft at Left Hand Side  
Forward Refreshment Center

▲ Required for Dispatch

LUXEMBOURG INTERIOR PLACARDS AND MARKINGS - FORWARD CABIN  
FIGURE 01 (SHEET 3)

6310T1168  
A4711953-25

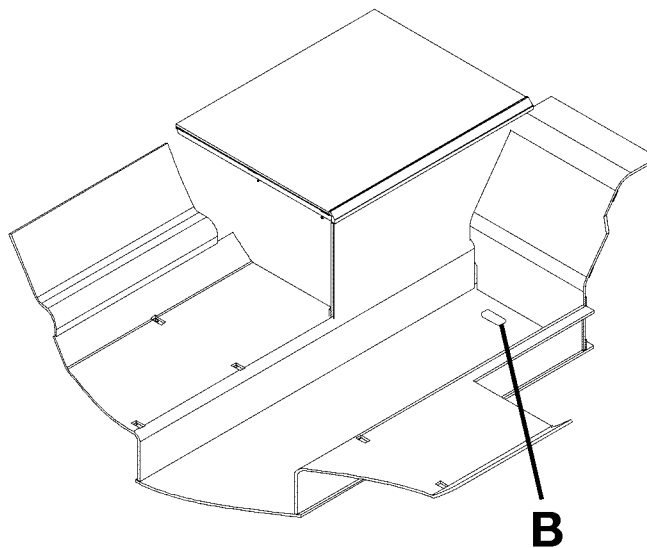
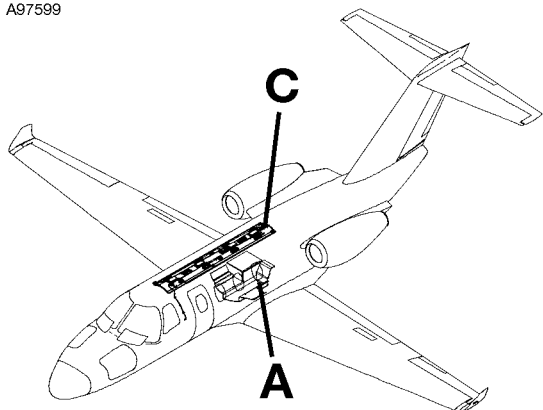
CESSNA®  
**MODEL 525 (SERIALS -0685 AND -0800 AND ON)**  
 ILLUSTRATED PARTS CATALOG

FIG ITEM	PART NUMBER	NOMENCLATURE							UNITS PER ASSY
		1	2	3	4	5	6	7	
01 150	4316002-8	.	PLACARD-CURTAIN INSTRUCTIONS	.	.	.	.	.	01 R

- ITEM NOT ILLUSTRATED

CESSNA®  
**MODEL 525 (SERIALS -0685 AND -0800 AND ON)**  
 ILLUSTRATED PARTS CATALOG

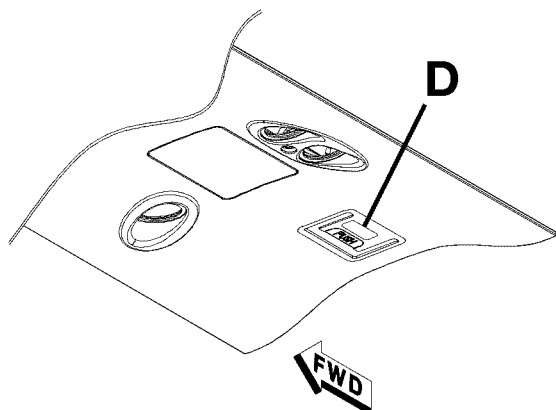
A97599



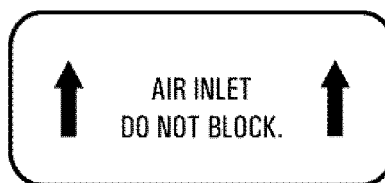
3

▲ **DETAIL D**

**DETAIL A**



**DETAIL C**



1

**DETAIL B**

▲ Required for Dispatch

6310T1168  
 A6312T1217  
 C6312T1218

LUXEMBOURG INTERIOR PLACARDS AND MARKINGS - AFT CABIN  
 FIGURE 02 (SHEET 1)



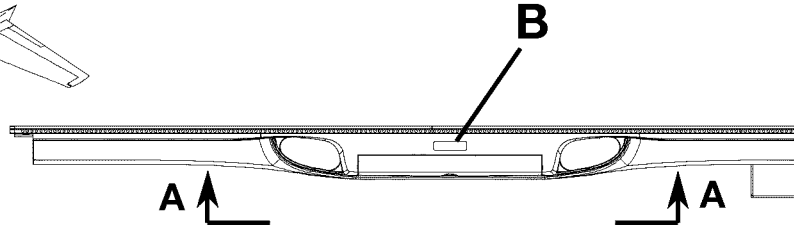
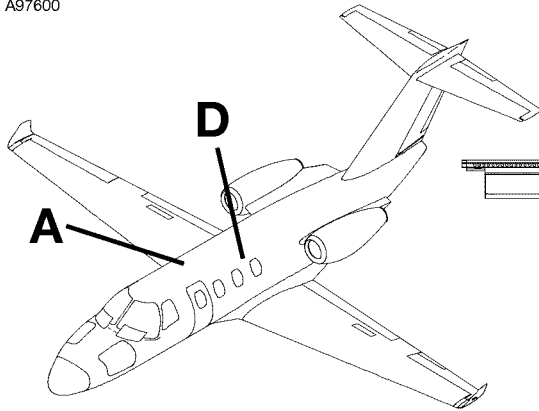
CESSNA®  
**MODEL 525 (SERIALS -0685 AND -0800 AND ON)**  
 ILLUSTRATED PARTS CATALOG

FIG ITEM	PART NUMBER	1 2 3 4 5 6 7	NOMENCLATURE	UNITS PER ASSY		
02						
-			LUXEMBOURG INTERIOR PLACARDS AND MARKINGS - AFT CABIN	0842	& ON	RF R
1	4316002-24		. PLACARD-AIR INLET . . . . .			01 R
2	4717018-3		. PLACARD-COVER . . . . .			01 R
3	4316002-34		. PLACARD-COAT ROD . . . . .			01 R

- ITEM NOT ILLUSTRATED

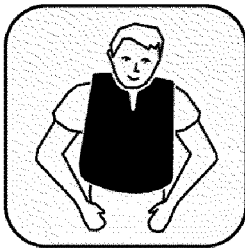
CESSNA®  
**MODEL 525 (SERIALS -0685 AND -0800 AND ON)**  
 ILLUSTRATED PARTS CATALOG

A97600



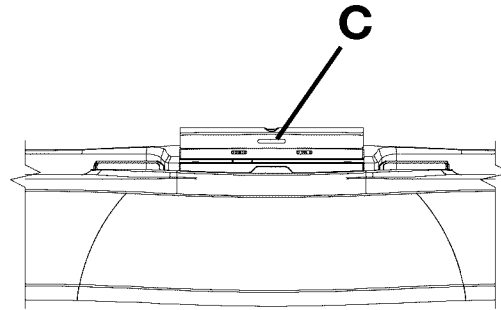
**DETAIL A**

Looking Down on Right Hand Sideledge



3

▲ **DETAIL E**



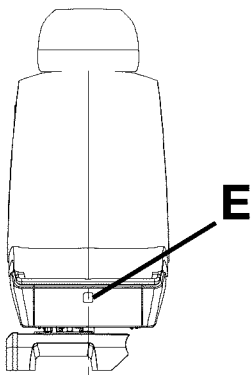
**VIEW A-A**

Table Lid Shown in Upright Position

**FOR TAXI, TAKEOFF, AND LANDING: RAISE SEAT BACK; EXTEND HEADREST; TRACK SEAT TOWARD FRONT OF AIRCRAFT THEN OUTBOARD; FASTEN SHOULDER HARNESS.**

1

▲ **DETAIL B**



**DETAIL D**

**CLOSE LID FOR TAXI, TAKEOFF, AND LANDING.**

2

▲ **DETAIL C**

▲ Required for Dispatch

6310T1168  
 A6319T1647  
 AA6319T1647  
 D6319T1648

LUXEMBOURG INTERIOR PLACARDS AND MARKINGS - CABIN SEATS  
 FIGURE 04 (SHEET 1)

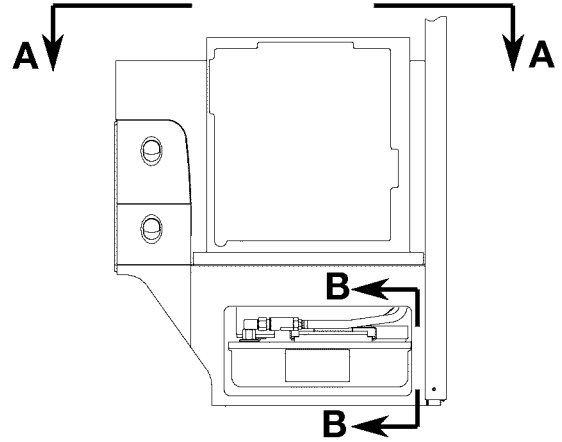
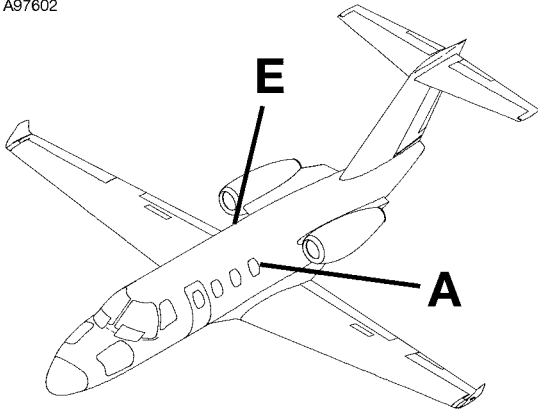
CESSNA®  
**MODEL 525 (SERIALS -0685 AND -0800 AND ON)**  
 ILLUSTRATED PARTS CATALOG

FIG ITEM	PART NUMBER	NOMENCLATURE	UNITS PER ASSY		
			1	2	3
04					
-		LUXEMBOURG INTERIOR PLACARDS AND MARKINGS - CABIN SEATS	0842	& ON	RF R
1	4316002-46	. PLACARD-SEAT INSTRUCTIONS . . . . .			02 R
- 1A	4316002-47	. PLACARD-SEAT INSTRUCTIONS OPTIONAL . . . . .			02 R
2	4316002-28	. PLACARD-TABLE LID INSTRUCTIONS . . . . .			02 R
3	4316002-32	. PLACARD-LIFEVEST . . . . .			04 R

- ITEM NOT ILLUSTRATED

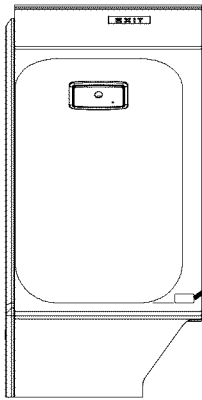
CESSNA®  
**MODEL 525 (SERIALS -0685 AND -0800 AND ON)**  
 ILLUSTRATED PARTS CATALOG

A97602



**DETAIL A**

View Looking Outboard



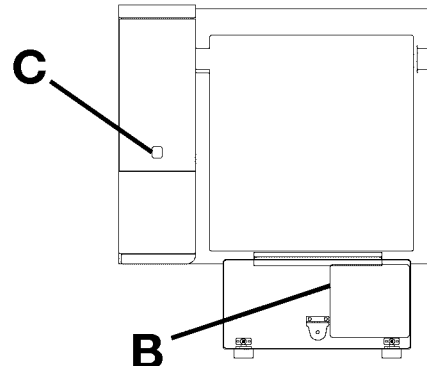
**DETAIL E**

View Looking Outboard



4

▲ **DETAIL F**

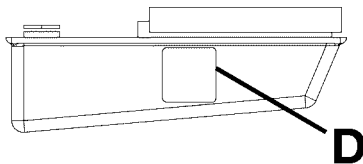


**VIEW A-A**

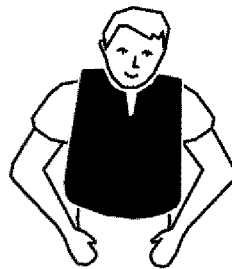
TOILET CHEMICAL  
 IS CORROSIVE.  
 USE EXTREME CARE  
 TO PREVENT SPILLAGE.  
 FOLLOW SERVICING  
 INSTRUCTIONS CAREFULLY.  
 CLEAN ANY SPILLAGE  
 IMMEDIATELY AND  
 REPORT IT TO THE CREW.

1

**DETAIL D**

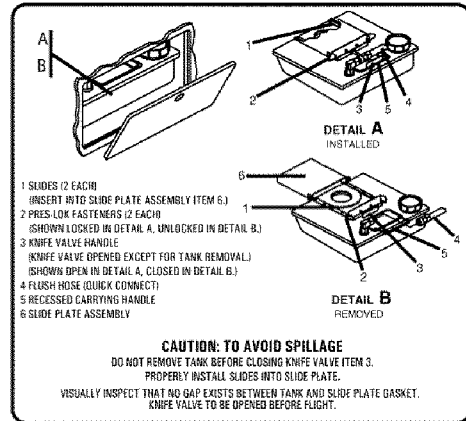


**VIEW B-B**



3

▲ **DETAIL C**



2

**DETAIL B**

6310T1168  
 A6319T1360  
 AA6319T1361  
 BB6319T1360  
 E6314T1662

▲ Required for Dispatch

LUXEMBOURG INTERIOR PLACARDS AND MARKINGS - LAVATORY  
 FIGURE 01 (SHEET 1)

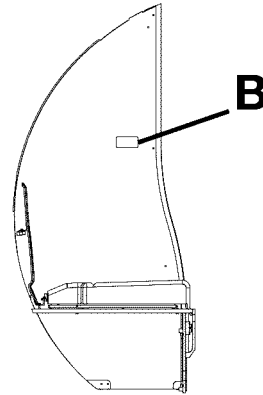
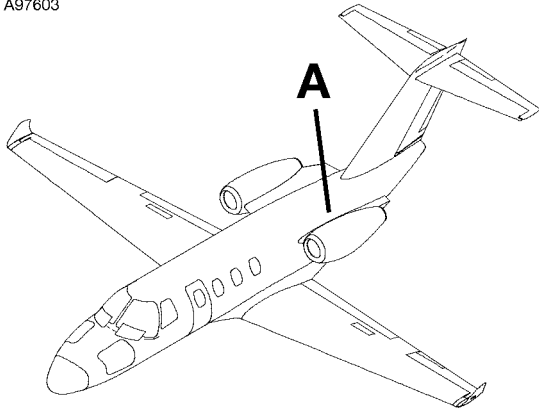
CESSNA®  
**MODEL 525 (SERIALS -0685 AND -0800 AND ON)**  
 ILLUSTRATED PARTS CATALOG

FIG ITEM	PART NUMBER	NOMENCLATURE	UNITS	
			PER	ASSY
01				
-		LUXEMBOURG INTERIOR PLACARDS AND MARKINGS - LAVATORY	0842	& ON RF R
1	4316002-30	. PLACARD-TOILET CARE . . . . .		01 R
2	4316002-36	. PLACARD-TOILET SERVICING . . . . .		01 R
3	4316002-32	. PLACARD-LIFEVEST . . . . .		01 R
4	4316002-33	. PLACARD-NO SMOKING . . . . .		01 R

- ITEM NOT ILLUSTRATED

CESSNA®  
**MODEL 525 (SERIALS -0685 AND -0800 AND ON)**  
 ILLUSTRATED PARTS CATALOG

A97603



**DETAIL A**

View Looking Forward at Left Hand Side  
 Toilet Assembly and Left Hand Side Aft Divider

FOR TAXI, TAKEOFF, AND LANDING:  
 LATCH SLIDING DOOR OPEN;  
 CLOSE ALL CABINET DOORS AND DRAWERS;  
 FASTEN SHOULDER HARNESS.

LIFE VEST IN SEAT CABINET.

75

▲ **DETAIL B**

FOR TAXI, TAKEOFF, AND LANDING:  
 STOW CURTAIN;  
 CLOSE ALL CABINET DOORS AND DRAWERS;  
 FASTEN SHOULDER HARNESS.

77

▲ **DETAIL B**

FOR TAXI, TAKEOFF, AND LANDING:  
 LATCH SLIDING DOOR OPEN;  
 CLOSE ALL CABINET DOORS AND DRAWERS;  
 FASTEN SHOULDER HARNESS.

76

▲ **DETAIL B**

▲ Required for Dispatch

6310T1168  
 A6319T1650

LUXEMBOURG INTERIOR PLACARDS AND MARKINGS - LAVATORY  
 FIGURE 01 (SHEET 2)

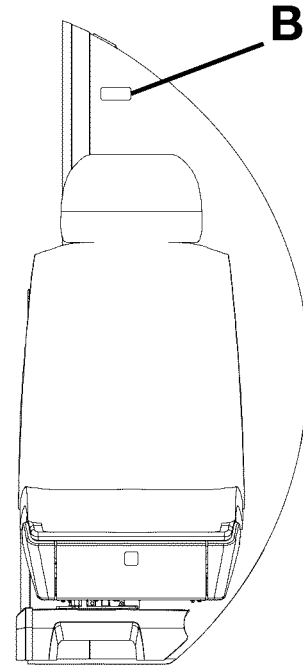
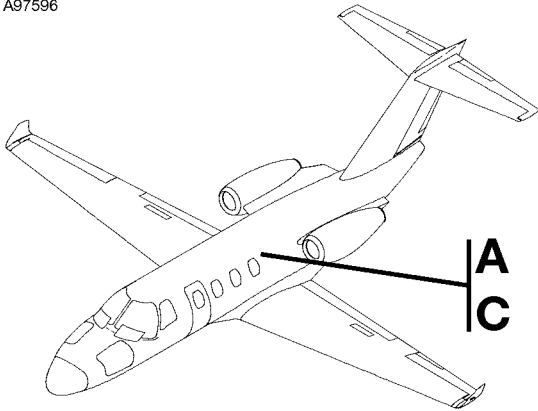
CESSNA®  
**MODEL 525 (SERIALS -0685 AND -0800 AND ON)**  
 ILLUSTRATED PARTS CATALOG

FIG ITEM	PART NUMBER	NOMENCLATURE	UNITS PER ASSY
	1 2 3 4 5 6 7		
01			
75	4316002-42	. PLACARD-LH BELTED TOILET INSTRUCTIONS (DOOR) . . . . .	01 R
76	4316002-43	. PLACARD-LH BELTED TOILET INSTRUCTIONS (DOOR) W/O LIFE VEST. . . . .	01 R
77	4316002-45	. PLACARD-LH BELTED TOILET INSTRUCTIONS (CURTAIN) . . . . .	01 R

- ITEM NOT ILLUSTRATED

CESSNA®  
**MODEL 525 (SERIALS -0685 AND -0800 AND ON)**  
 ILLUSTRATED PARTS CATALOG

A97596

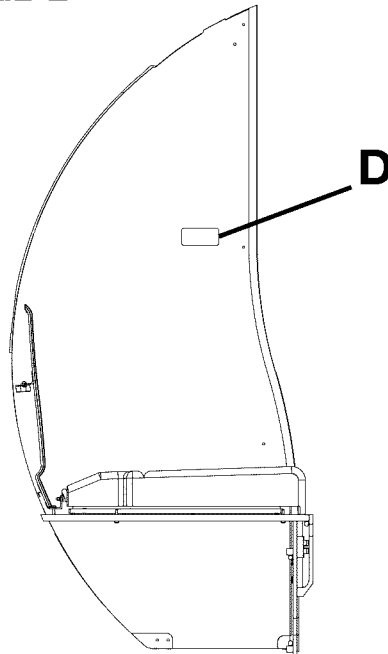


**FOR TAXI, TAKEOFF, AND LANDING:  
 STOW CURTAIN;  
 CLOSE ALL CABINET DOORS AND DRAWERS;  
 FASTEN SHOULDER HARNESS.  
 LIFE VEST IN SEAT CABINET.**

3

▲ **DETAIL D**

**DETAIL A**  
 Looking Aft



**NO SMOKING IN LAVATORY.  
 STOW CURTAIN  
 FOR TAXI, TAKEOFF, AND LANDING.**

1

▲ **DETAIL B**

**NO SMOKING IN LAVATORY.  
 LATCH SLIDING DOOR OPEN  
 FOR TAXI, TAKEOFF, AND LANDING.**

2

▲ **DETAIL B**

**DETAIL C**

Looking Forward

▲ Required for Dispatch

LUXEMBOURG INTERIOR PLACARDS AND MARKINGS - DIVIDERS  
 FIGURE 02 (SHEET 1)

6310T1168  
 A6319T1649  
 C6319T1650



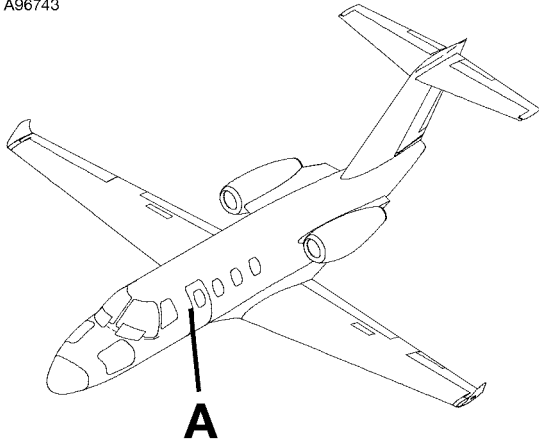
CESSNA®  
**MODEL 525 (SERIALS -0685 AND -0800 AND ON)**  
 ILLUSTRATED PARTS CATALOG

FIG ITEM	PART NUMBER	1 2 3 4 5 6 7	NOMENCLATURE	UNITS PER ASSY
02			LUXEMBOURG INTERIOR PLACARDS AND MARKINGS - DIVIDERS	0842 & ON RF R
-				
1	4316002-25		. PLACARD-AFT CABIN INSTRUCTIONS . . . . .	01 R
2	4316002-41		. PLACARD-AFT CABIN INSTRUCTIONS (DOOR) . . . . .	01 R
3	4316002-29		. PLACARD-AFT CABIN INSTRUCTIONS . . . . .	01 R

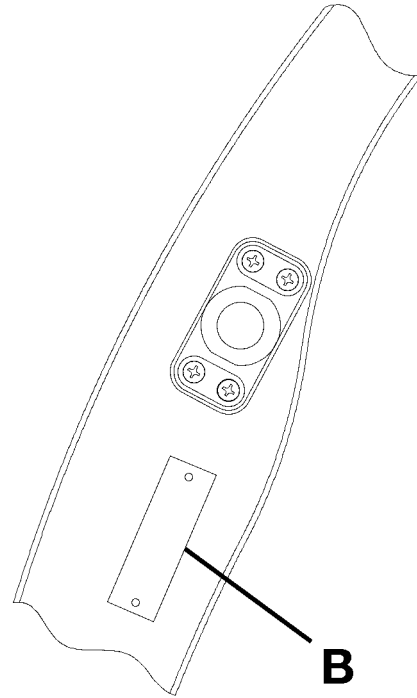
- ITEM NOT ILLUSTRATED

CESSNA®  
**MODEL 525 (SERIALS -0685 AND -0800 AND ON)**  
ILLUSTRATED PARTS CATALOG

A96743

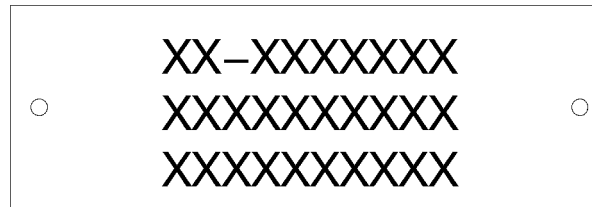


**A**



**B**

**DETAIL A**



1

**DETAIL B**

LUXEMBOURG INTERIOR PLACARDS AND MARKINGS - CABIN DOOR  
FIGURE 01 (SHEET 1)

6310T1168  
A659T0008

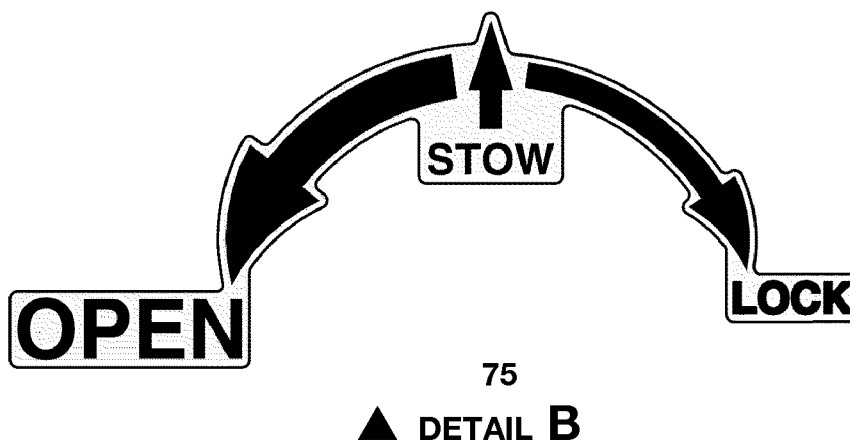
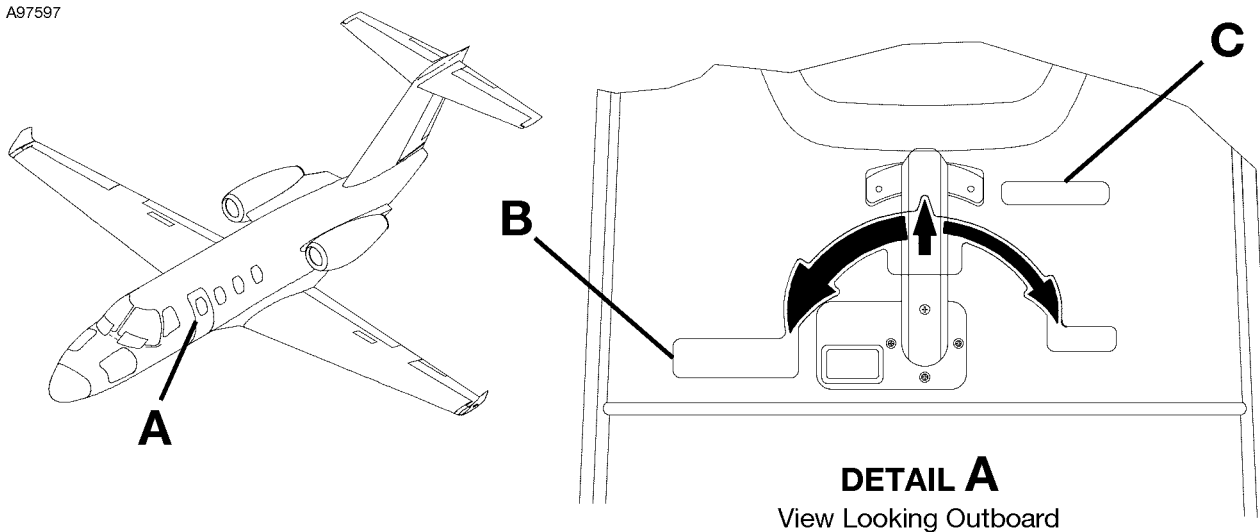
CESSNA®  
**MODEL 525 (SERIALS -0685 AND -0800 AND ON)**  
 ILLUSTRATED PARTS CATALOG

FIG ITEM	PART NUMBER	NOMENCLATURE	UNITS PER ASSY
	1 2 3 4 5 6 7		
01		LUXEMBOURG INTERIOR PLACARDS AND MARKINGS - CABIN DOOR	0842 & ON RF
-		. CERTIFICATION PLATE REFER TO NOTE 1 . . . . .	01
1	6590008-65		

NOTE 1—WHEN ORDERING THIS PART, THE OWNER MUST SEND A NOTARIZED DOCUMENT STATING THE REASON FOR ORDERING A NEW ID PLATE, THE TYPE CERTIFICATE NUMBER, THE PRODUCTION CERTIFICATE NUMBER, THE ID PLATE NUMBER, AND THE MODEL NUMBER. THE OLD ID PLATE FROM THE AIRPLANE SHOULD BE ATTACHED TO THE ORDER, IF AVAILABLE. IF NOT ATTACHED, THE NEW PLATE WILL BE STAMPED DUPLICATE.

CESSNA®  
**MODEL 525 (SERIALS -0685 AND -0800 AND ON)**  
 ILLUSTRATED PARTS CATALOG

A97597



**TO RELEASE: PUSH BUTTON,  
 PULL TRIGGER ON HANDLE.**

**76**  
 ▲ **DETAIL C**

▲ Required for Dispatch

6310T1168  
 A6319T1645

LUXEMBOURG INTERIOR PLACARDS AND MARKINGS - CABIN DOOR  
 FIGURE 01 (SHEET 2)

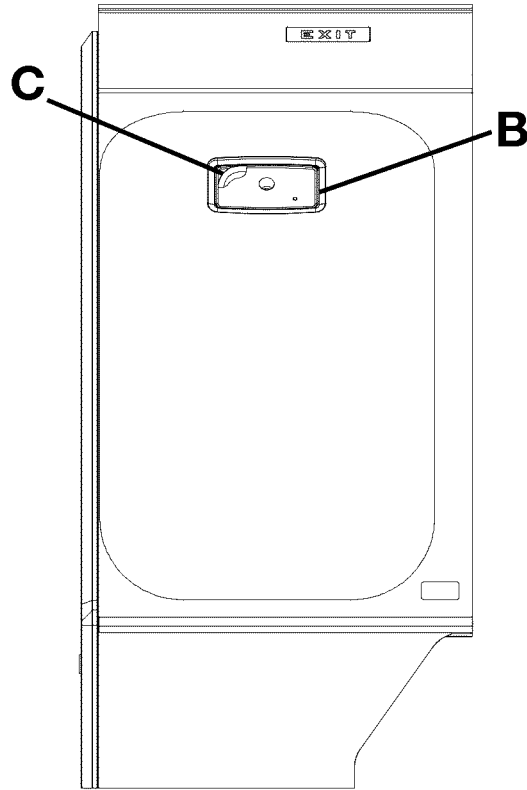
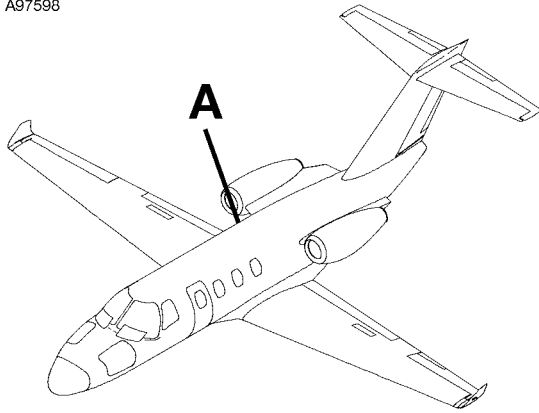
CESSNA®  
**MODEL 525 (SERIALS -0685 AND -0800 AND ON)**  
 ILLUSTRATED PARTS CATALOG

FIG ITEM	PART NUMBER	NOMENCLATURE							UNITS PER ASSY
		1	2	3	4	5	6	7	
01									
75	4316002-18	.	DECAL-HANDLE OPERATION.	.	.	.	.	.	01 R
76	4316002-19	.	DECAL-PUSH BUTTON	.	.	.	.	.	01 R

- ITEM NOT ILLUSTRATED

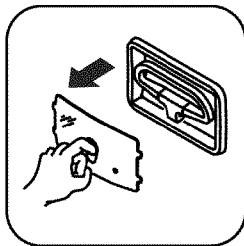
CESSNA®  
**MODEL 525 (SERIALS -0685 AND -0800 AND ON)**  
 ILLUSTRATED PARTS CATALOG

A97598



1

▲ **DETAIL E**



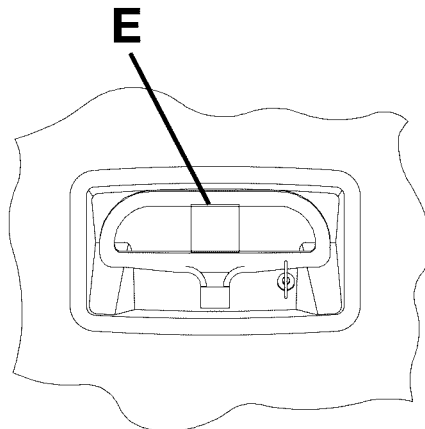
2

▲ **DETAIL D**

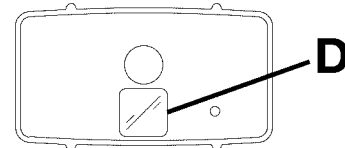
◀ **FWD**

**DETAIL A**

View Looking Outboard



**DETAIL C**



**DETAIL B**

▲ Required for Dispatch

LUXEMBOURG INTERIOR PLACARDS AND MARKINGS - ESCAPE HATCH  
 FIGURE 02 (SHEET 1)

6310T1168  
 A6310T1180  
 B6310T1180  
 C6310T1180

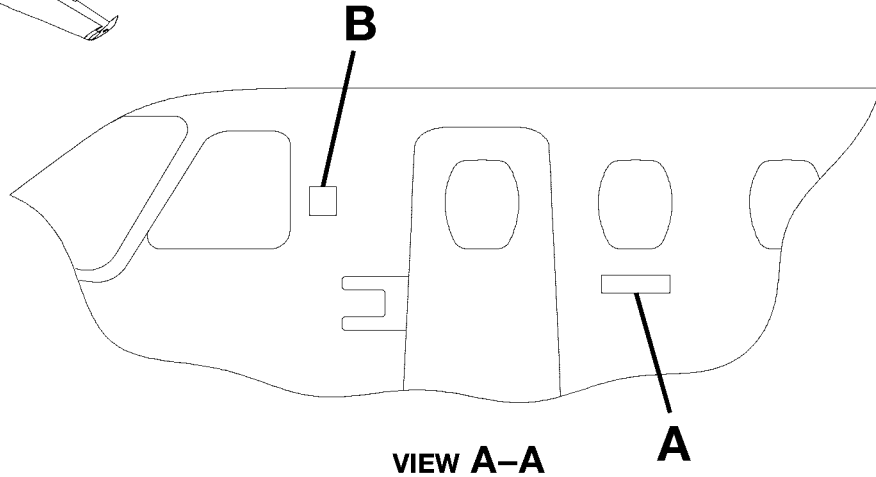
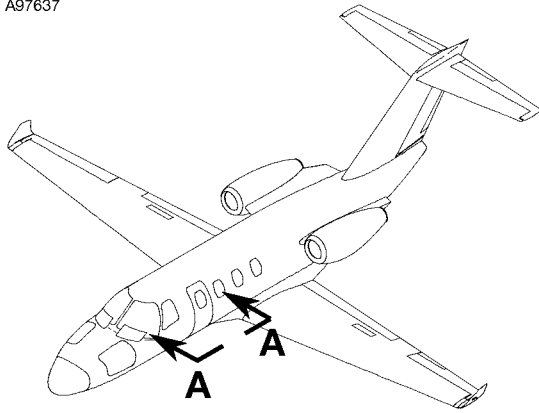
CESSNA®  
**MODEL 525 (SERIALS -0685 AND -0800 AND ON)**  
 ILLUSTRATED PARTS CATALOG

FIG ITEM	PART NUMBER	1 2 3 4 5 6 7	NOMENCLATURE	UNITS PER ASSY		
				0842	& ON	RF R
02			LUXEMBOURG INTERIOR PLACARDS AND MARKINGS - ESCAPE HATCH			
-			. PLACARD-OPEN . . . . .			01 R
1	4316002-27		. PLACARD-REMOVE COVER . . . . .			01 R
2	4316002-26					

- ITEM NOT ILLUSTRATED

CESSNA®  
MODEL 525 (SERIALS -0685 AND -0800 AND ON)  
ILLUSTRATED PARTS CATALOG

A97637



3  
DETAIL B

CITATION  
M2

1  
DETAIL A

6310T1168  
AA6314T1174

ISLE OF MAN EXTERIOR PLACARDS AND MARKINGS - FUSELAGE  
FIGURE 02 (SHEET 1)



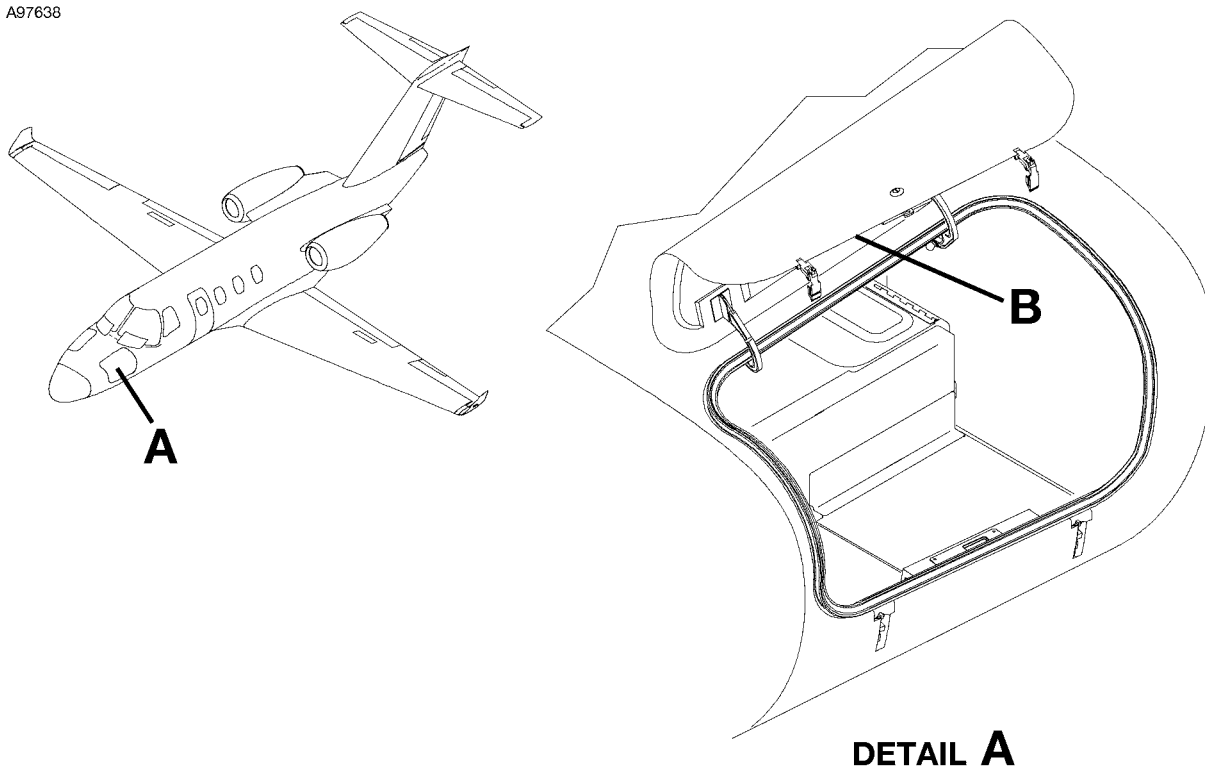
CESSNA®  
**MODEL 525 (SERIALS -0685 AND -0800 AND ON)**  
 ILLUSTRATED PARTS CATALOG

FIG ITEM	PART NUMBER	1 2 3 4 5 6 7	NOMENCLATURE	UNITS PER ASSY
02				
-			ISLE OF MAN EXTERIOR PLACARDS AND MARKINGS - FUSELAGE	0859 & ON RF R
- 1	4416001-32		. DECAL-M2 INSIGNIA . . . . .	02 R
- 2	4416001-31		. PAINTMASK-M2 INSIGNIA . . . . .	01 R
- 3	6505010-124		. DECAL-CESSNA LOGO . . . . .	02 R
- 4	6505010-123		. PAINTMASK-CESSNA LOGO . . . . .	01 R

- ITEM NOT ILLUSTRATED

CESSNA®  
MODEL 525 (SERIALS -0685 AND -0800 AND ON)  
ILLUSTRATED PARTS CATALOG

A97638



MAXIMUM WEIGHT ALLOWANCE  
400 LBS (181 KG).  
MAXIMUM FLOOR LOADING  
35 LBS/FT<sup>2</sup> (170 KG/M<sup>2</sup>).  
SEE AFM FOR WEIGHT  
AND BALANCE DATA.

1

▲ DETAIL B

▲ Required for Dispatch

ISLE OF MAN EXTERIOR PLACARDS AND MARKINGS - NOSE BAGGAGE  
FIGURE 01 (SHEET 1)

6310T1168  
A6313T1003

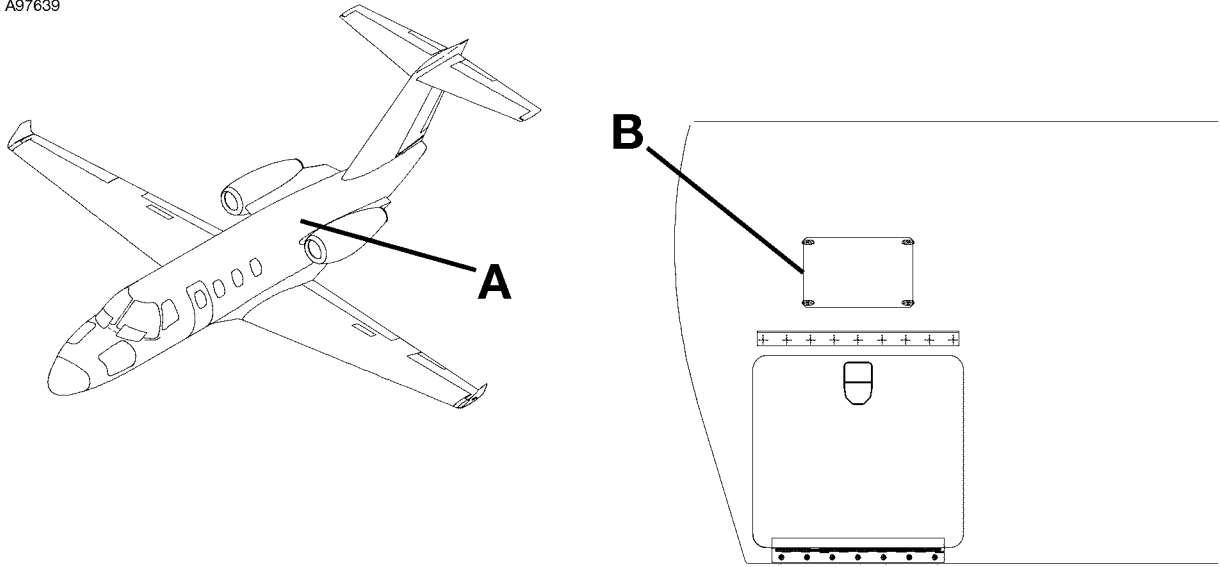
CESSNA®  
**MODEL 525 (SERIALS -0685 AND -0800 AND ON)**  
 ILLUSTRATED PARTS CATALOG

FIG ITEM	PART NUMBER	1 2 3 4 5 6 7	NOMENCLATURE	UNITS PER ASSY		
01						
-			ISLE OF MAN EXTERIOR PLACARDS AND MARKINGS - NOSE BAGGAGE	0859	& ON	RF R
1	4416000-163		. PLACARD-NOSE BAGGAGE WEIGHT . . . . .			02 R

- ITEM NOT ILLUSTRATED

CESSNA®  
**MODEL 525 (SERIALS -0685 AND -0800 AND ON)**  
ILLUSTRATED PARTS CATALOG

A97639



**DETAIL A**

Looking Forward at Left Hand Side Forward Wall

⊕

**MAXIMUM WEIGHT ALLOWANCE  
325 LBS (147 KG).  
MAXIMUM FLOOR LOADING  
100 LBS/FT<sup>2</sup> (488 KG/M<sup>2</sup>).  
SEE AFM FOR WEIGHT AND BALANCE DATA.**

**SECURE BAGGAGE WITH CARGO NET.**

⊕

**LATCH ALL DOORS PRIOR TO FLIGHT.**

⊕

1

▲ **DETAIL B**

▲ Required for Dispatch

6310T1168  
A6312T1220

ISLE OF MAN EXTERIOR PLACARDS AND MARKINGS - AFT BAGGAGE  
FIGURE 02 (SHEET 1)

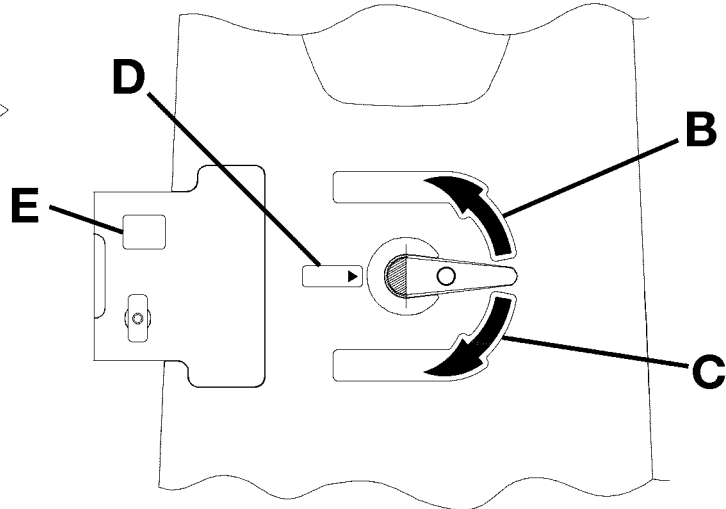
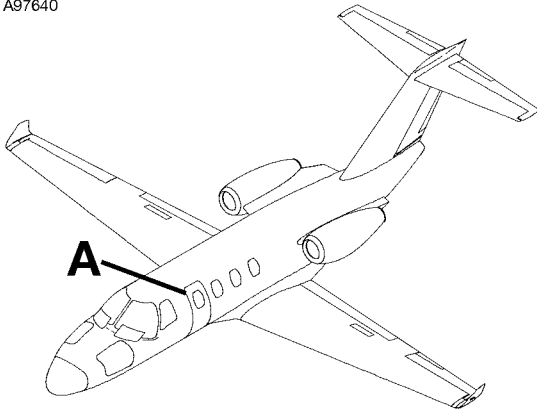
CESSNA®  
**MODEL 525 (SERIALS -0685 AND -0800 AND ON)**  
 ILLUSTRATED PARTS CATALOG

FIG ITEM	PART NUMBER	1 2 3 4 5 6 7	NOMENCLATURE	UNITS PER ASSY		
02						
-			ISLE OF MAN EXTERIOR PLACARDS AND MARKINGS - AFT BAGGAGE	0859	& ON	RF R
1	4416004-58		. PLACARD-MAX BAGGAGE WEIGHT 325LB . . . . .			01 R
			ATTACHING PARTS			
- 2	MS35214-14		. SCREW . . . . .			04 R
- 3	MS21069L04		. NUTPLATE . . . . .			04 R
			—*—			

- ITEM NOT ILLUSTRATED

CESSNA®  
**MODEL 525 (SERIALS -0685 AND -0800 AND ON)**  
 ILLUSTRATED PARTS CATALOG

A97640



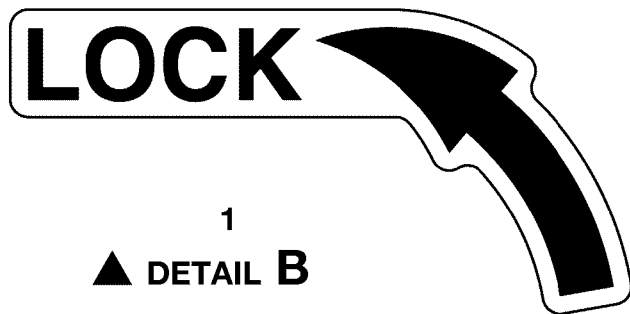
**DETAIL A**

(View Looking Inboard at Entry Door)

**DOOR CATCH  
 RELEASE INSIDE  
 BEHIND THIS  
 PLACARD. RAISE  
 STEPS BEFORE  
 CLOSING DOOR.**

4

**DETAIL E**



1

▲ **DETAIL B**



3

▲ **DETAIL D**

▲ Required for Dispatch



2

▲ **DETAIL C**

6310T1168  
 A6319T1646

ISLE OF MAN EXTERIOR PLACARDS AND MARKINGS - CABIN DOOR  
 FIGURE 01 (SHEET 1)

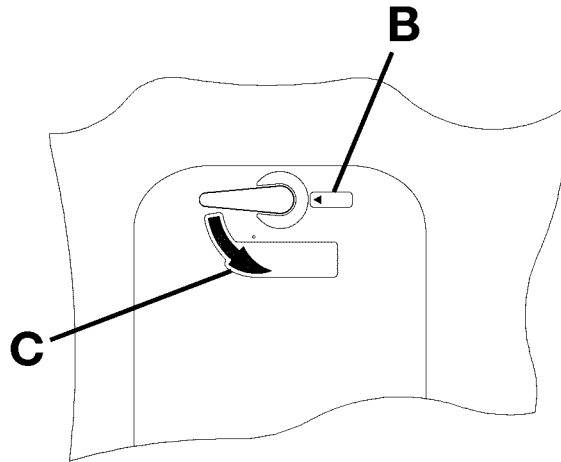
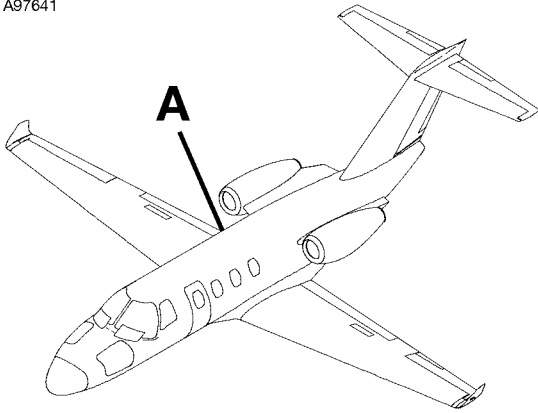
CESSNA®  
**MODEL 525 (SERIALS -0685 AND -0800 AND ON)**  
 ILLUSTRATED PARTS CATALOG

FIG ITEM	PART NUMBER	1 2 3 4 5 6 7	NOMENCLATURE	UNITS PER ASSY
01			ISLE OF MAN EXTERIOR PLACARDS AND MARKINGS - CABIN DOOR	0859 & ON RF R
-				
1	4316002-16		. DECAL-LOCK . . . . .	01 R
2	4316002-17		. DECAL-OPEN . . . . .	01 R
3	4316002-15		. DECAL-PUSH . . . . .	01 R
4	4416000-172		. PLACARD-PRECATCH HANDLE . . . . .	01 R

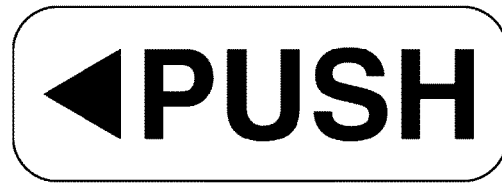
- ITEM NOT ILLUSTRATED

CESSNA®  
MODEL 525 (SERIALS -0685 AND -0800 AND ON)  
ILLUSTRATED PARTS CATALOG

A97641



**DETAIL A**  
Looking Inboard at Escape Hatch



2

▲ **DETAIL B**



1

▲ **DETAIL C**

▲ Required for Dispatch

6310T1168  
A4711953-2

ISLE OF MAN EXTERIOR PLACARDS AND MARKINGS - ESCAPE HATCH  
FIGURE 02 (SHEET 1)



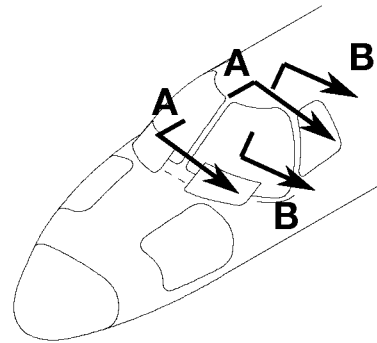
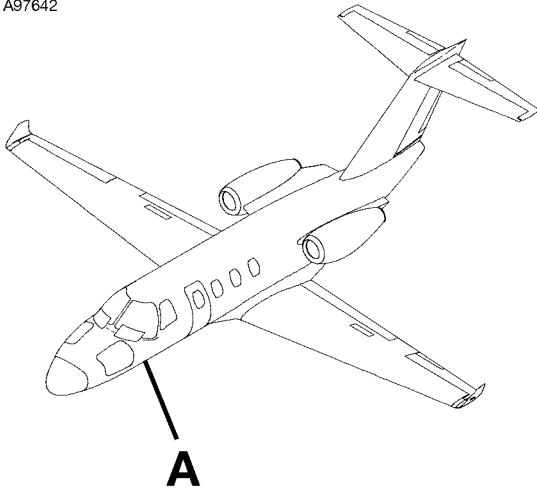
CESSNA®  
**MODEL 525 (SERIALS -0685 AND -0800 AND ON)**  
 ILLUSTRATED PARTS CATALOG

FIG ITEM	PART NUMBER	1 2 3 4 5 6 7	NOMENCLATURE	UNITS PER ASSY		
				0859	& ON	RF R
02			ISLE OF MAN EXTERIOR PLACARDS AND MARKINGS - ESCAPE HATCH			
-						
1	4316002-1		. DECAL-EMERGENCY EXIT OPEN . . . . .			01 R
2	4316002-2		. DECAL-EMERGENCY EXIT PUSH . . . . .			01 R

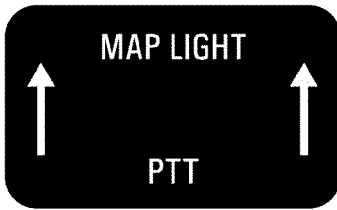
- ITEM NOT ILLUSTRATED

CESSNA®  
**MODEL 525 (SERIALS -0685 AND -0800 AND ON)**  
 ILLUSTRATED PARTS CATALOG

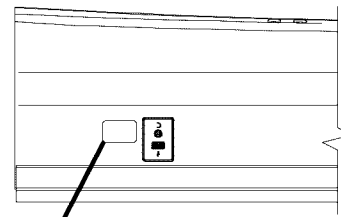
A97642



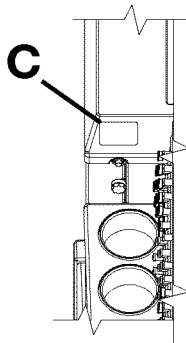
**DETAIL A**



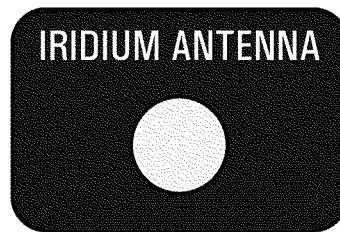
**2**  
**DETAIL C**



**B**  
**VIEW A-A**



**VIEW B-B**  
 View Looking at Left Hand Side Console



**1**  
**DETAIL B**

6310T1168  
 B6310T1168  
 AA6310T1183  
 BB6310T1184

ISLE OF MAN INTERIOR PLACARDS AND MARKINGS - LH CONSOLE  
 FIGURE 04 (SHEET 1)

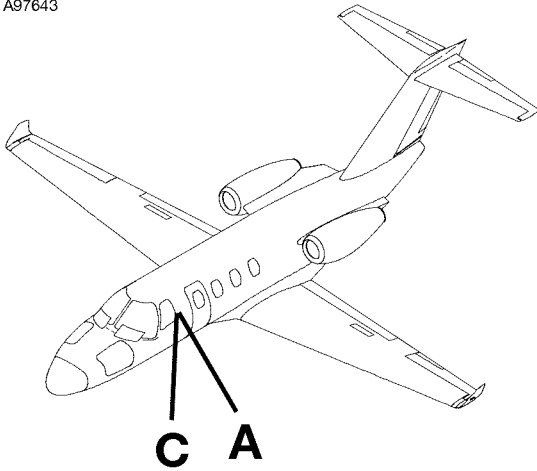
CESSNA®  
**MODEL 525 (SERIALS -0685 AND -0800 AND ON)**  
 ILLUSTRATED PARTS CATALOG

FIG ITEM	PART NUMBER	NOMENCLATURE	UNITS PER ASSY	
			1 2 3 4 5 6 7	
04				
-		ISLE OF MAN INTERIOR PLACARDS AND MARKINGS - LH CONSOLE	0859	& ON RF R
1	4316002-35	. PLACARD-IRIDIUM ANTENNA . . . . .		01 R
2	4316002-38	. PLACARD-MAP LIGHT . . . . .		02 R

- ITEM NOT ILLUSTRATED

CESSNA®  
**MODEL 525 (SERIALS -0685 AND -0800 AND ON)**  
 ILLUSTRATED PARTS CATALOG

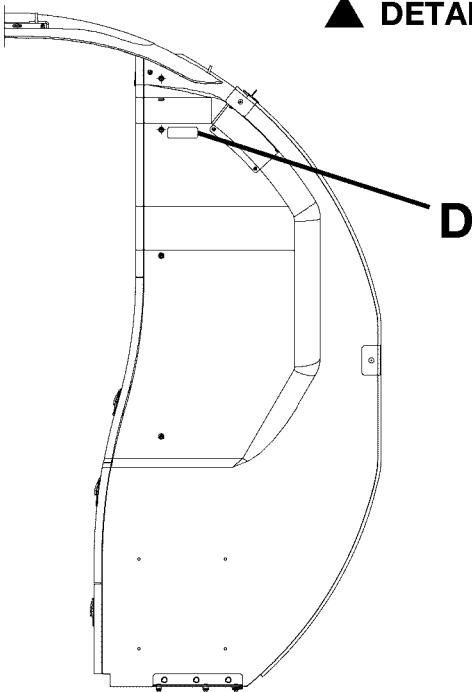
A97643



STOW CURTAIN FOR  
 TAXI, TAKEOFF, AND LANDING.

2

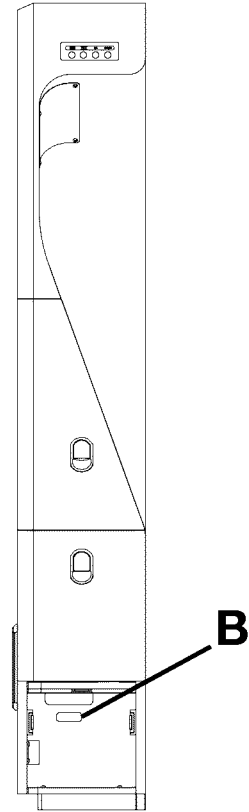
▲ **DETAIL D**



**DETAIL C**

Looking Aft at Left Hand Cabinet Assembly

▲ Required for Dispatch



**DETAIL A**

CABIN BRIEFER  
 PROGRAM LOAD PORT

1

**DETAIL B**

ISLE OF MAN INTERIOR PLACARDS AND MARKINGS - FLIGHT COMPARTMENT  
 FIGURE 05 (SHEET 1)

6310T1168  
 A471T1953  
 C471T1953

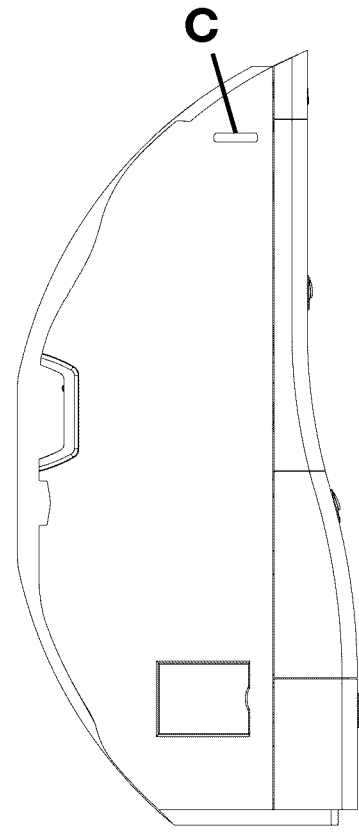
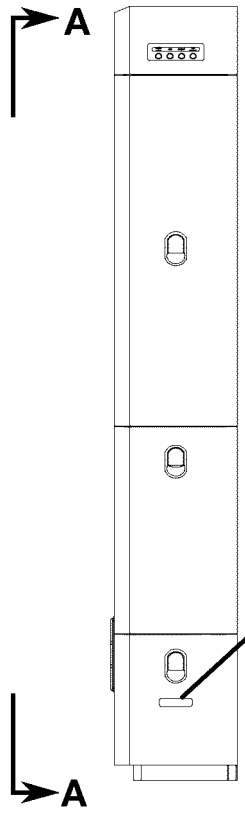
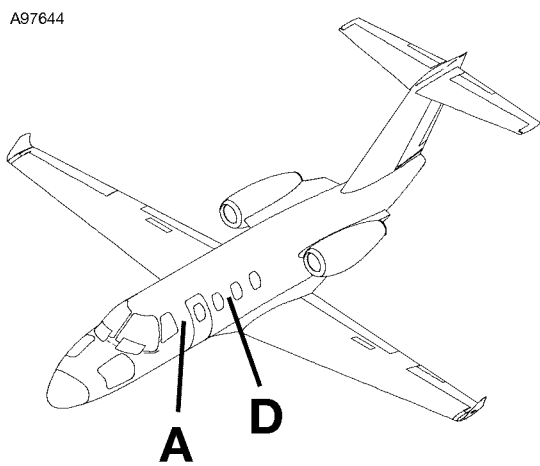
CESSNA®  
**MODEL 525 (SERIALS -0685 AND -0800 AND ON)**  
 ILLUSTRATED PARTS CATALOG

FIG ITEM	PART NUMBER	1 2 3 4 5 6 7	NOMENCLATURE	UNITS PER ASSY		
				0859	& ON	RF R
05			ISLE OF MAN INTERIOR PLACARDS AND MARKINGS - FLIGHT			
-			COMPARTMENT			
1	4316002-40		. PLACARD-CABIN BRIEFER PORT . . . . .			01 R
2	4316002-8		. PLACARD-CURTAIN STOWAGE . . . . .			01 R

- ITEM NOT ILLUSTRATED

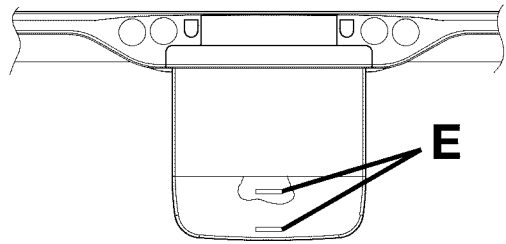
CESSNA®  
**MODEL 525 (SERIALS -0685 AND -0800 AND ON)**  
 ILLUSTRATED PARTS CATALOG

A97644



**STOW FOR TAXI, TAKEOFF, AND LANDING.**

**3**  
 ▲ **DETAIL E**



**DETAIL D**

Looking Down on Right Hand Side Deployed Table,  
 Left Hand Side Opposite

**DETAIL A**

**VIEW A-A**

**CLOSE ALL CABINET DOORS AND DRAWERS  
 FOR TAXI, TAKEOFF, AND LANDING.**

**2**  
 ▲ **DETAIL C**

**NO CIGARETTE DISPOSAL;  
 METAL TRASH LINER REQUIRED.**

**1**  
 ▲ **DETAIL B**

▲ Required for Dispatch

6310T1168  
 A6320T1021  
 AA6320T1021  
 D6320T1021

ISLE OF MAN INTERIOR PLACARDS AND MARKINGS - FORWARD CABIN  
 FIGURE 01 (SHEET 1)

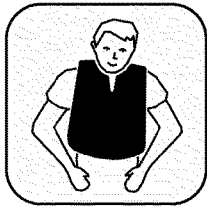
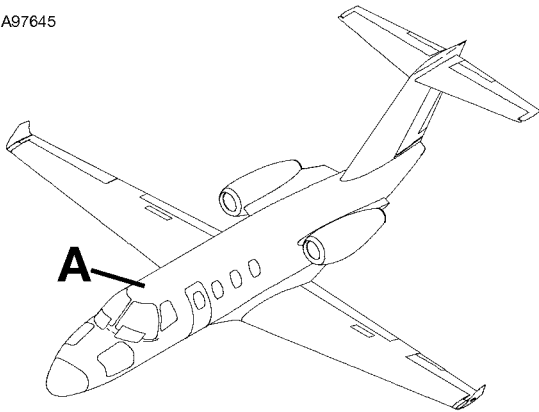
CESSNA®  
**MODEL 525 (SERIALS -0685 AND -0800 AND ON)**  
 ILLUSTRATED PARTS CATALOG

FIG ITEM	PART NUMBER	1 2 3 4 5 6 7	NOMENCLATURE	UNITS PER ASSY		
01						
-			ISLE OF MAN INTERIOR PLACARDS AND MARKINGS - FORWARD CABIN	0859	& ON	RF R
1	4316002-20		. PLACARD-TRASH CONTAINER . . . . .			01 R
2	4316002-23		. PLACARD-CABINET DOOR INSTRUCTIONS . . . . .			01 R
3	4316002-200		. PLACARD-TABLE INSTRUCTIONS . . . . .			04 R

- ITEM NOT ILLUSTRATED

CESSNA®  
**MODEL 525 (SERIALS -0685 AND -0800 AND ON)**  
 ILLUSTRATED PARTS CATALOG

A97645



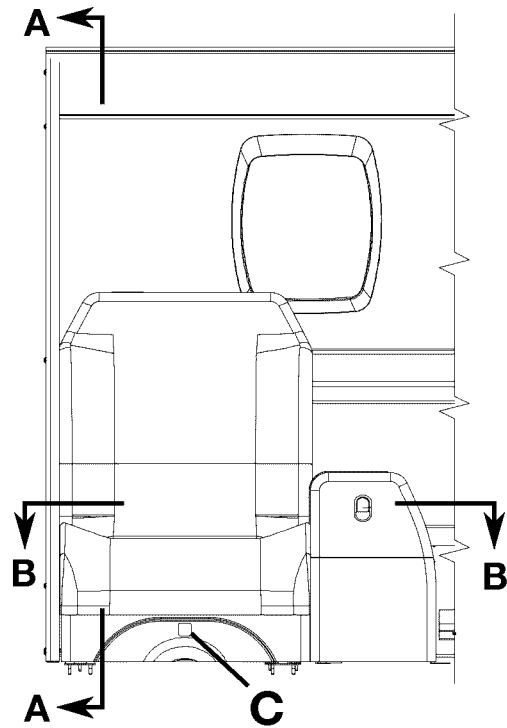
79

▲ **DETAIL C**



77

**DETAIL D**



**DETAIL A**

Looking Outboard at Side Facing Seat

**FASTEN SHOULDER HARNESS FOR TAXI, TAKEOFF, AND LANDING.**

76

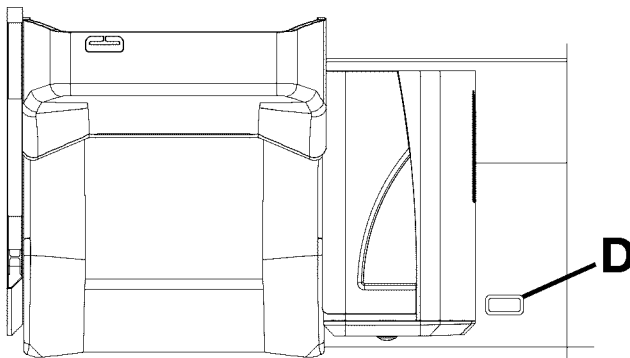
▲ **DETAIL B**

**FASTEN SHOULDER HARNESS FOR TAXI, TAKEOFF, AND LANDING**

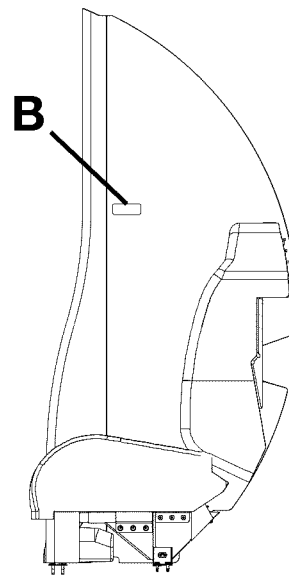
**LIFE VEST IN SEAT BASE.**

75

▲ **DETAIL B**



**VIEW B-B**



**VIEW A-A**

6310T1168  
 A6320T1021  
 AA6320T1021  
 BB6320T1021

▲ Required for Dispatch

ISLE OF MAN INTERIOR PLACARDS AND MARKINGS - FORWARD CABIN  
 FIGURE 01 (SHEET 2)



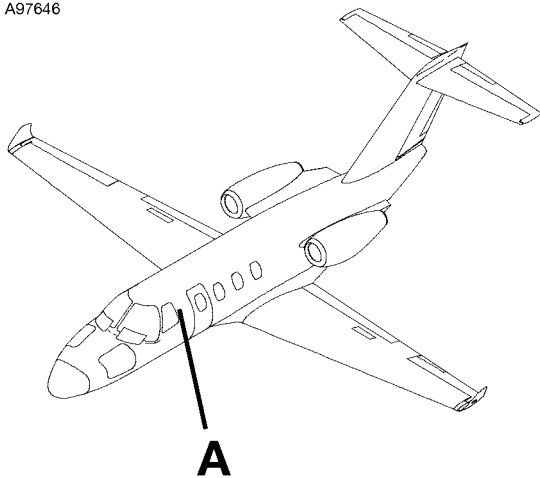
CESSNA®  
**MODEL 525 (SERIALS -0685 AND -0800 AND ON)**  
 ILLUSTRATED PARTS CATALOG

FIG ITEM	PART NUMBER	NOMENCLATURE	UNITS PER ASSY
	1 2 3 4 5 6 7		
01			
75	4316002-21	. PLACARD-SIDE FACING SEAT INSTRUCTIONS . . . . .	01 R
76	4316002-44	. PLACARD-SIDE FACING SEAT INSTRUCTIONS W/O ARMREST . . . . .	01 R
77	4316002-24	. PLACARD-AIR INLET . . . . .	01 R
- 78	4717018-3	. PLACARD-COVER . . . . .	01 R
79	4316002-32	. PLACARD-LIFE VEST . . . . .	01 R

- ITEM NOT ILLUSTRATED

CESSNA®  
MODEL 525 (SERIALS -0685 AND -0800 AND ON)  
ILLUSTRATED PARTS CATALOG

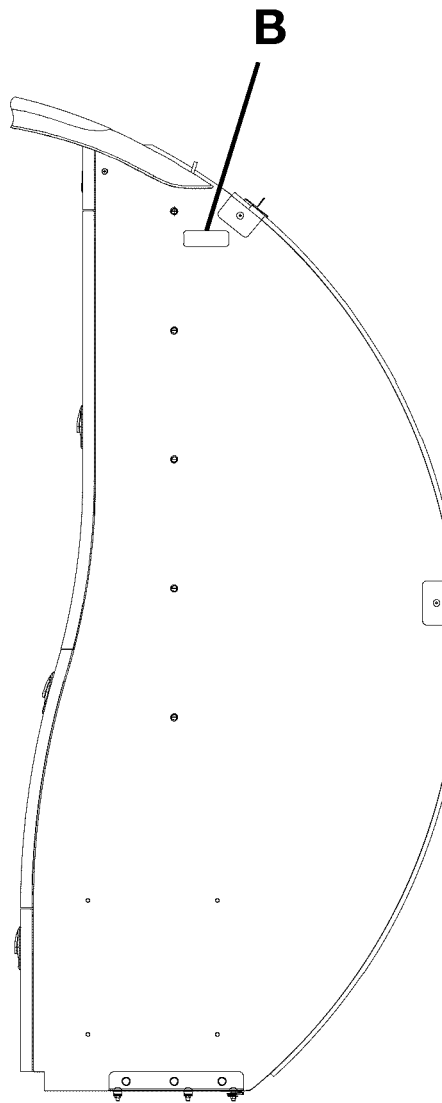
A97646



STOW CURTAIN FOR  
TAXI, TAKEOFF, AND LANDING.

150

▲ **DETAIL B**



**DETAIL A**

View Looking Aft at Left Hand Side  
Forward Refreshment Center

▲ Required for Dispatch

ISLE OF MAN INTERIOR PLACARDS AND MARKINGS - FORWARD CABIN  
FIGURE 01 (SHEET 3)

6310T1168  
A4711953-25

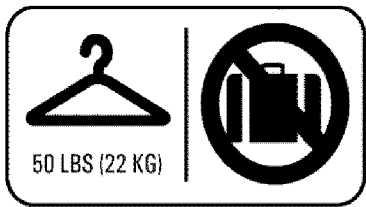
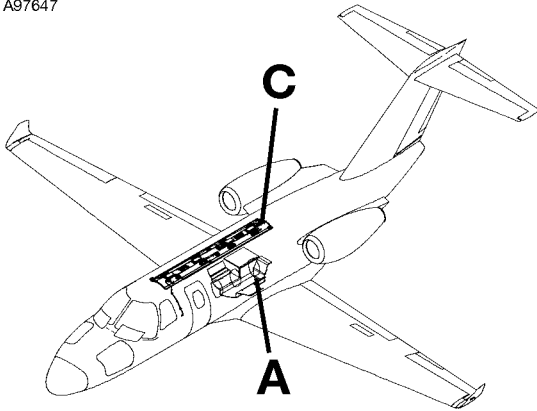
CESSNA®  
**MODEL 525 (SERIALS -0685 AND -0800 AND ON)**  
 ILLUSTRATED PARTS CATALOG

FIG ITEM	PART NUMBER	NOMENCLATURE							UNITS PER ASSY	
		1	2	3	4	5	6	7		
01 150	4316002-8	.							PLACARD-CURTAIN INSTRUCTIONS . . . . .	01 R

- ITEM NOT ILLUSTRATED

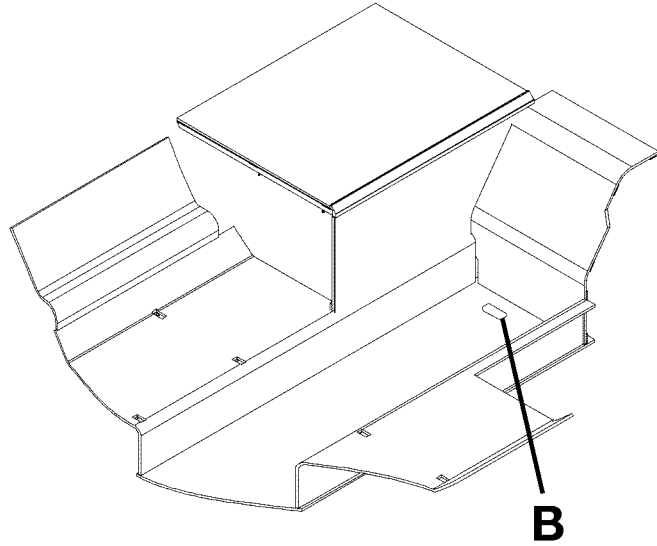
CESSNA®  
**MODEL 525 (SERIALS -0685 AND -0800 AND ON)**  
 ILLUSTRATED PARTS CATALOG

A97647

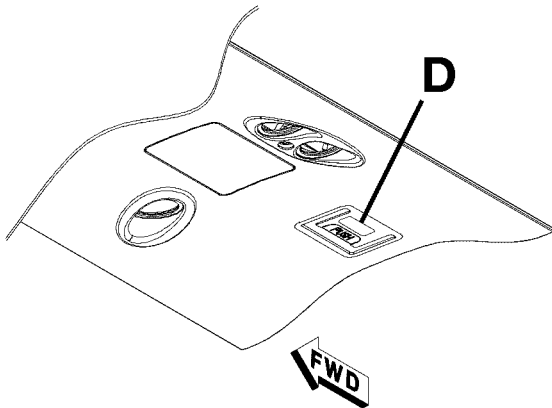


3

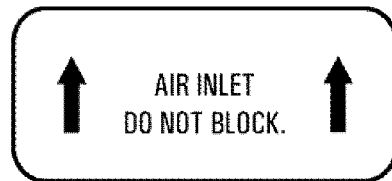
▲ **DETAIL D**



**DETAIL A**



**DETAIL C**



1

**DETAIL B**

▲ Required for Dispatch

6310T1168  
 A6312T1217  
 C6312T1218

ISLE OF MAN INTERIOR PLACARDS AND MARKINGS - AFT CABIN  
 FIGURE 02 (SHEET 1)

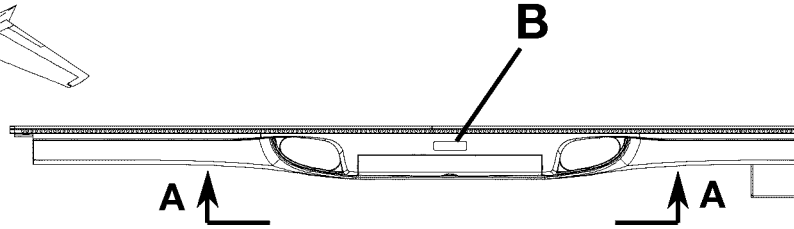
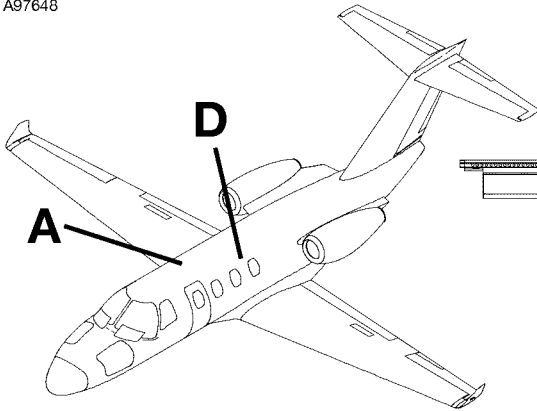
CESSNA®  
**MODEL 525 (SERIALS -0685 AND -0800 AND ON)**  
 ILLUSTRATED PARTS CATALOG

FIG ITEM	PART NUMBER	1 2 3 4 5 6 7	NOMENCLATURE	UNITS PER ASSY		
				0859	& ON	RF R
02			ISLE OF MAN INTERIOR PLACARDS AND MARKINGS - AFT CABIN			
-						
1	4316002-24		. PLACARD-AIR INLET . . . . .			01 R
- 2	4717018-3		. PLACARD-COVER . . . . .			01 R
3	4316002-34		. PLACARD-COAT ROD . . . . .			01 R

- ITEM NOT ILLUSTRATED

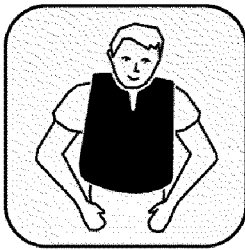
CESSNA®  
**MODEL 525 (SERIALS -0685 AND -0800 AND ON)**  
 ILLUSTRATED PARTS CATALOG

A97648



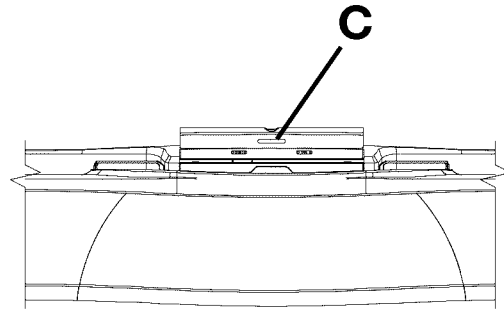
**DETAIL A**

Looking Down on Right Hand Sideledge



3

▲ **DETAIL E**



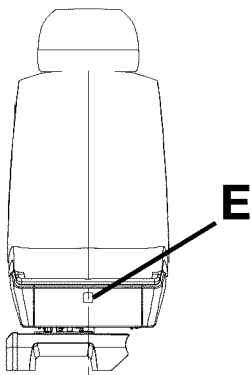
**VIEW A-A**

Table Lid Shown in Upright Position

**FOR TAXI, TAKEOFF, AND LANDING: RAISE SEAT BACK; EXTEND HEADREST; TRACK SEAT TOWARD FRONT OF AIRCRAFT THEN OUTBOARD; FASTEN SHOULDER HARNESS.**

1

▲ **DETAIL B**



**DETAIL D**

**CLOSE LID FOR TAXI, TAKEOFF, AND LANDING.**

2

▲ **DETAIL C**

▲ Required for Dispatch

ISLE OF MAN INTERIOR PLACARDS AND MARKINGS - CABIN SEATS  
 FIGURE 04 (SHEET 1)

6310T1168  
 A6319T1647  
 AA6319T1647  
 D6319T1648

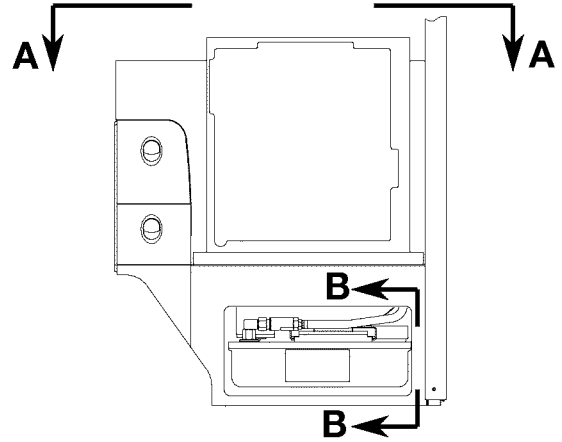
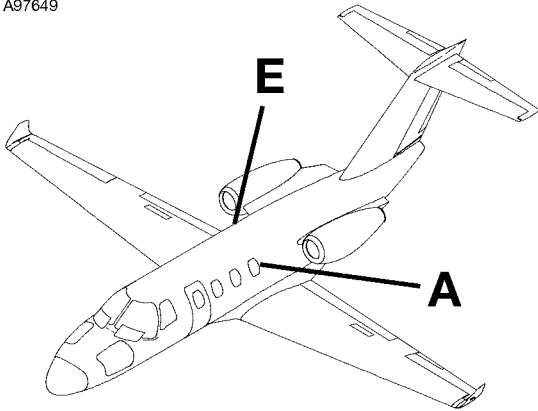
CESSNA®  
**MODEL 525 (SERIALS -0685 AND -0800 AND ON)**  
 ILLUSTRATED PARTS CATALOG

FIG ITEM	PART NUMBER	1 2 3 4 5 6 7	NOMENCLATURE	UNITS PER ASSY
04				
-			ISLE OF MAN INTERIOR PLACARDS AND MARKINGS - CABIN SEATS	0859 & ON RF R
1	4316002-46		. PLACARD-SEAT INSTRUCTIONS . . . . .	02 R
- 1A	4316002-47		. PLACARD-SEAT INSTRUCTIONS OPTIONAL . . . . .	02 R
2	4316002-28		. PLACARD-TABLE LID INSTRUCTIONS . . . . .	02 R
3	4316002-32		. PLACARD-LIFEVEST . . . . .	04 R

- ITEM NOT ILLUSTRATED

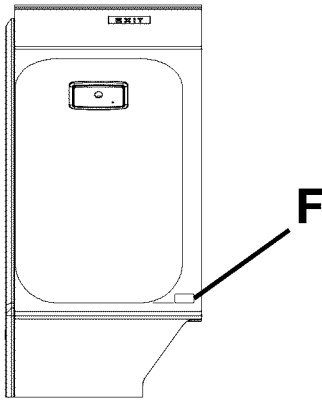
CESSNA®  
**MODEL 525 (SERIALS -0685 AND -0800 AND ON)**  
 ILLUSTRATED PARTS CATALOG

A97649



**DETAIL A**

View Looking Outboard



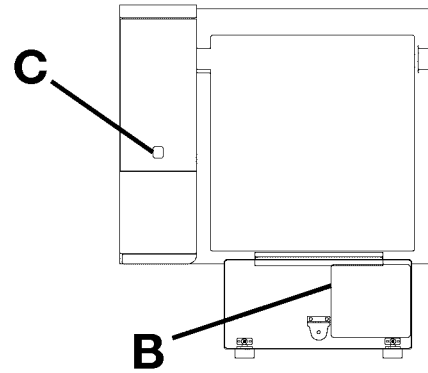
**DETAIL E**

View Looking Outboard



4

▲ **DETAIL F**

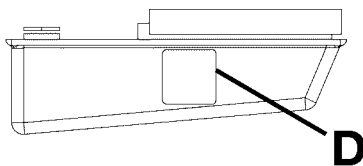


**VIEW A-A**

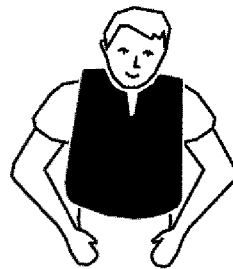
TOILET CHEMICAL  
 IS CORROSIVE.  
 USE EXTREME CARE  
 TO PREVENT SPILLAGE.  
 FOLLOW SERVICING  
 INSTRUCTIONS CAREFULLY.  
 CLEAN ANY SPILLAGE  
 IMMEDIATELY AND  
 REPORT IT TO THE CREW.

1

**DETAIL D**

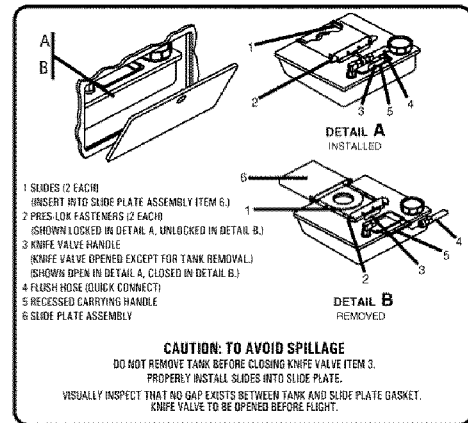


**VIEW B-B**



3

▲ **DETAIL C**



2

**DETAIL B**

6310T1168  
 A6319T1360  
 AA6319T1361  
 BB6319T1360  
 E6314T1662

▲ Required for Dispatch

ISLE OF MAN INTERIOR PLACARDS AND MARKINGS - LAVATORY  
 FIGURE 01 (SHEET 1)



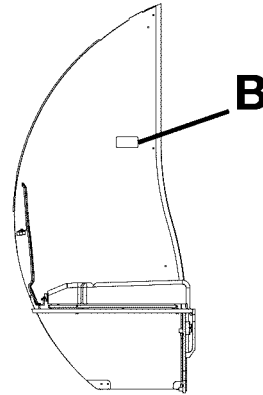
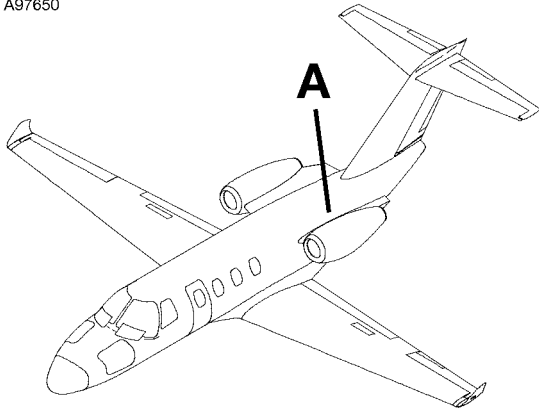
CESSNA®  
**MODEL 525 (SERIALS -0685 AND -0800 AND ON)**  
 ILLUSTRATED PARTS CATALOG

FIG ITEM	PART NUMBER	1 2 3 4 5 6 7	NOMENCLATURE	UNITS PER ASSY		
				0859	& ON	RF R
01			ISLE OF MAN INTERIOR PLACARDS AND MARKINGS - LAVATORY			
-						
1	4316002-30		. PLACARD-TOILET CARE . . . . .			01 R
2	4316002-36		. PLACARD-TOILET SERVICING . . . . .			01 R
3	4316002-32		. PLACARD-LIFEVEST . . . . .			01 R
4	4316002-33		. PLACARD-NO SMOKING . . . . .			01 R

- ITEM NOT ILLUSTRATED

CESSNA®  
**MODEL 525 (SERIALS -0685 AND -0800 AND ON)**  
ILLUSTRATED PARTS CATALOG

A97650



**DETAIL A**

View Looking Forward at Left Hand Side  
Toilet Assembly and Left Hand Side Aft Divider

FOR TAXI, TAKEOFF, AND LANDING:  
LATCH SLIDING DOOR OPEN;  
CLOSE ALL CABINET DOORS AND DRAWERS;  
FASTEN SHOULDER HARNESS.

LIFE VEST IN SEAT CABINET.

75

▲ **DETAIL B**

FOR TAXI, TAKEOFF, AND LANDING:  
STOW CURTAIN;  
CLOSE ALL CABINET DOORS AND DRAWERS;  
FASTEN SHOULDER HARNESS.

77

▲ **DETAIL B**

FOR TAXI, TAKEOFF, AND LANDING:  
LATCH SLIDING DOOR OPEN;  
CLOSE ALL CABINET DOORS AND DRAWERS;  
FASTEN SHOULDER HARNESS.

76

▲ **DETAIL B**

▲ Required for Dispatch

6310T1168  
A6319T1650

ISLE OF MAN INTERIOR PLACARDS AND MARKINGS - LAVATORY  
FIGURE 01 (SHEET 2)

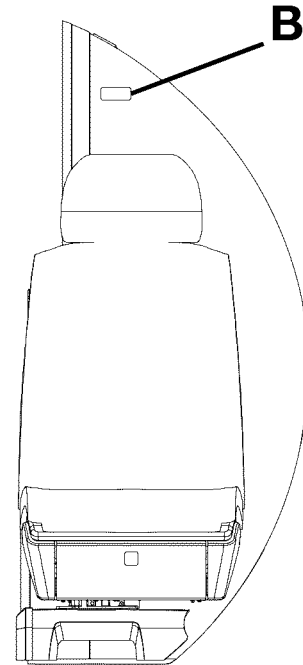
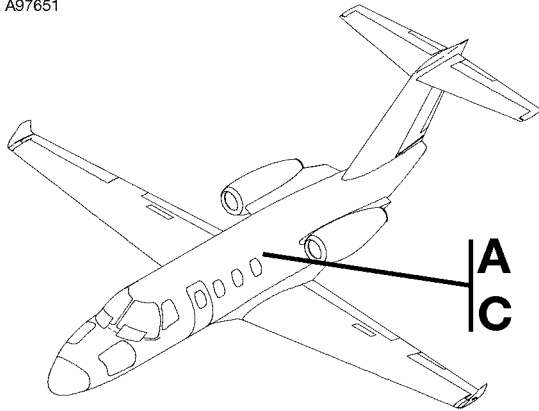
CESSNA®  
**MODEL 525 (SERIALS -0685 AND -0800 AND ON)**  
 ILLUSTRATED PARTS CATALOG

FIG ITEM	PART NUMBER	NOMENCLATURE	UNITS
			PER ASSY
01			
75	4316002-42	. PLACARD-LH BELTED TOILET INSTRUCTIONS (DOOR) . . . . .	01 R
76	4316002-43	. PLACARD-LH BELTED TOILET INSTRUCTIONS (DOOR) W/O LIFE VEST . . . . .	01 R
77	4316002-45	. PLACARD-LH BELTED TOILET INSTRUCTIONS (CURTAIN) . . . . .	01 R

- ITEM NOT ILLUSTRATED

CESSNA®  
**MODEL 525 (SERIALS -0685 AND -0800 AND ON)**  
 ILLUSTRATED PARTS CATALOG

A97651



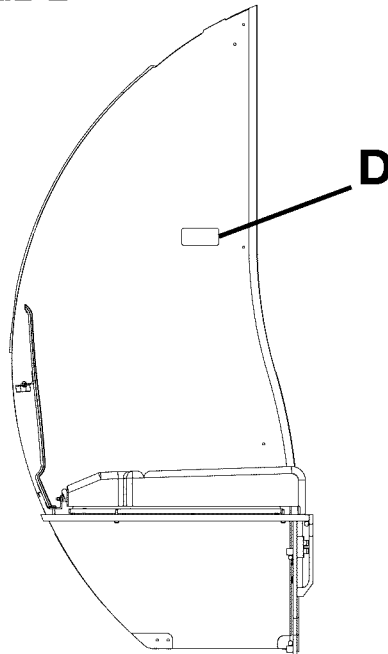
**FOR TAXI, TAKEOFF, AND LANDING:  
 STOW CURTAIN;  
 CLOSE ALL CABINET DOORS AND DRAWERS;  
 FASTEN SHOULDER HARNESS.  
 LIFE VEST IN SEAT CABINET.**

3

▲ **DETAIL D**

**DETAIL A**

Looking Aft



**NO SMOKING IN LAVATORY.  
 STOW CURTAIN  
 FOR TAXI, TAKEOFF, AND LANDING.**

1

▲ **DETAIL B**

**NO SMOKING IN LAVATORY.  
 LATCH SLIDING DOOR OPEN  
 FOR TAXI, TAKEOFF, AND LANDING.**

2

▲ **DETAIL B**

**DETAIL C**

Looking Forward

▲ Required for Dispatch

6310T1168  
 A6319T1649  
 C6319T1650

ISLE OF MAN INTERIOR PLACARDS AND MARKINGS - DIVIDERS  
 FIGURE 02 (SHEET 1)

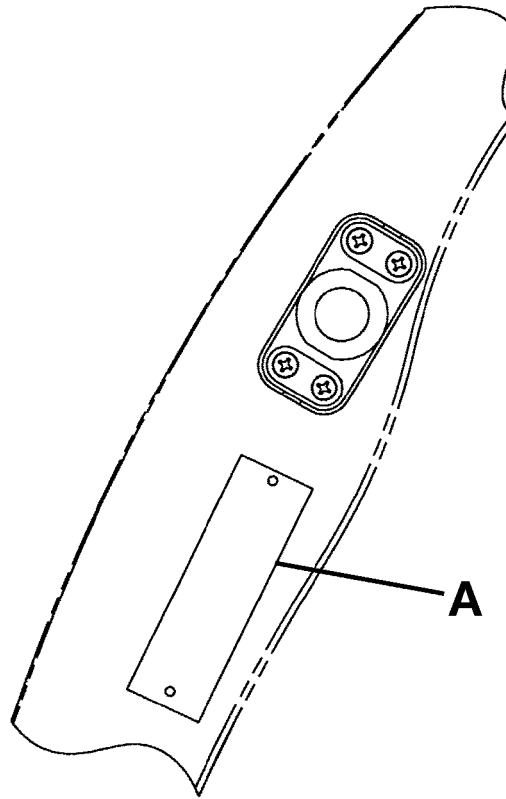
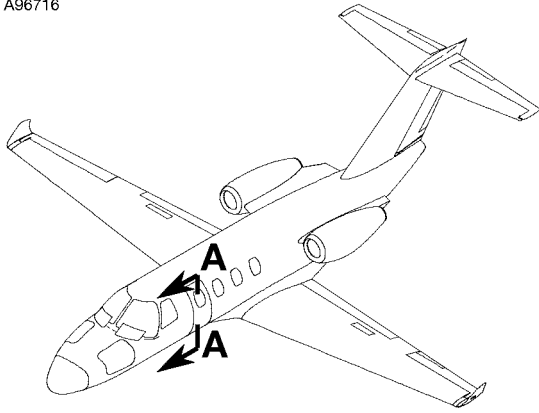
CESSNA®  
**MODEL 525 (SERIALS -0685 AND -0800 AND ON)**  
 ILLUSTRATED PARTS CATALOG

FIG ITEM	PART NUMBER	1 2 3 4 5 6 7	NOMENCLATURE	UNITS PER ASSY		
				0859	& ON	RF R
02			ISLE OF MAN INTERIOR PLACARDS AND MARKINGS - DIVIDERS			
-						
1	4316002-25		. PLACARD-AFT CABIN INSTRUCTIONS . . . . .			01 R
2	4316002-41		. PLACARD-AFT CABIN INSTRUCTIONS (DOOR) . . . . .			01 R
3	4316002-29		. PLACARD-AFT CABIN INSTRUCTIONS . . . . .			01 R

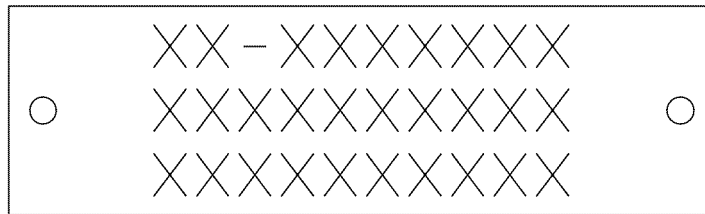
- ITEM NOT ILLUSTRATED

CESSNA®  
MODEL 525 (SERIALS -0685 AND -0800 AND ON)  
ILLUSTRATED PARTS CATALOG

A96716



VIEW A-A



1

DETAIL A

ISLE OF MAN INTERIOR PLACARDS AND MARKINGS - CABIN DOOR  
FIGURE 01 (SHEET 1)

6310T1168  
A-AA6590R008

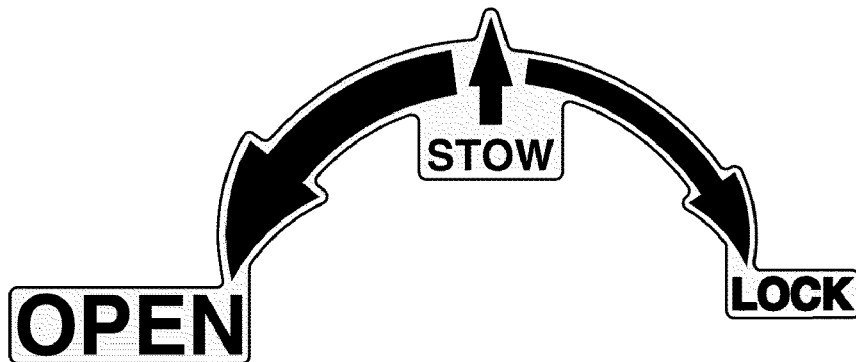
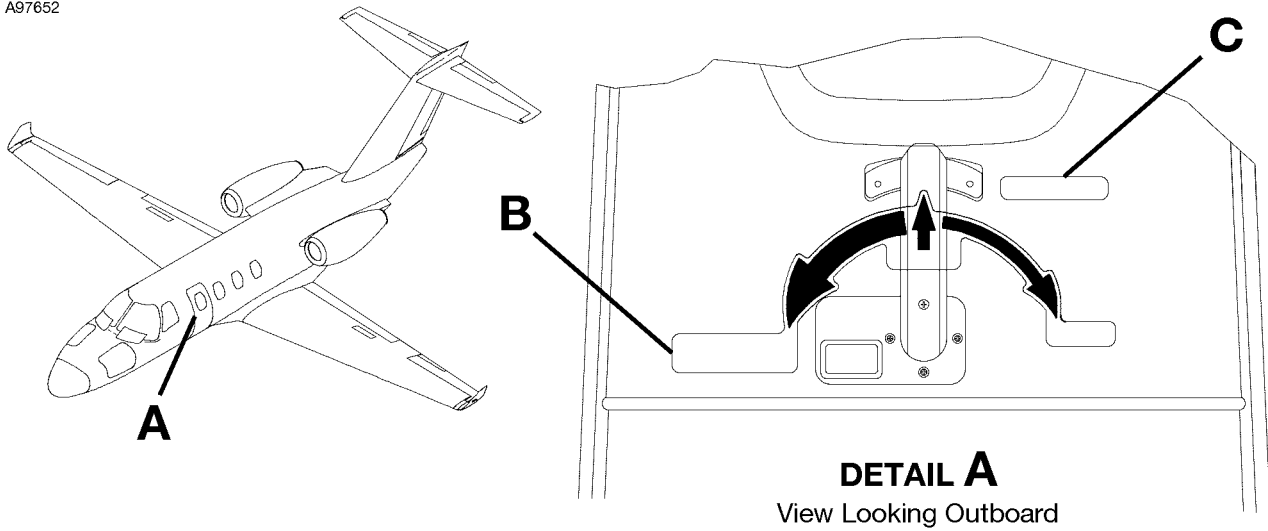
CESSNA®  
**MODEL 525 (SERIALS -0685 AND -0800 AND ON)**  
 ILLUSTRATED PARTS CATALOG

FIG ITEM	PART NUMBER	NOMENCLATURE	UNITS PER ASSY
	1 2 3 4 5 6 7		
01		ISLE OF MAN INTERIOR PLACARDS AND MARKINGS - CABIN DOOR	0858 & ON RF
-			
1	6590008-65	. CERTIFICATION PLATE REFER TO NOTE 1 . . . . .	01

NOTE 1—WHEN ORDERING THIS PART, THE OWNER MUST SEND A NOTARIZED DOCUMENT STATING THE REASON FOR ORDERING A NEW ID PLATE, THE TYPE CERTIFICATE NUMBER, THE PRODUCTION CERTIFICATE NUMBER, THE ID PLATE NUMBER, AND THE MODEL NUMBER. THE OLD ID PLATE FROM THE AIRPLANE SHOULD BE ATTACHED TO THE ORDER, IF AVAILABLE. IF NOT ATTACHED, THE NEW PLATE WILL BE STAMPED DUPLICATE.

CESSNA®  
**MODEL 525 (SERIALS -0685 AND -0800 AND ON)**  
 ILLUSTRATED PARTS CATALOG

A97652



75  
 ▲ **DETAIL B**

**TO RELEASE: PUSH BUTTON,  
 PULL TRIGGER ON HANDLE.**

76  
 ▲ **DETAIL C**

▲ Required for Dispatch

6310T1168  
 A6319T1645

ISLE OF MAN INTERIOR PLACARDS AND MARKINGS - CABIN DOOR  
 FIGURE 01 (SHEET 2)



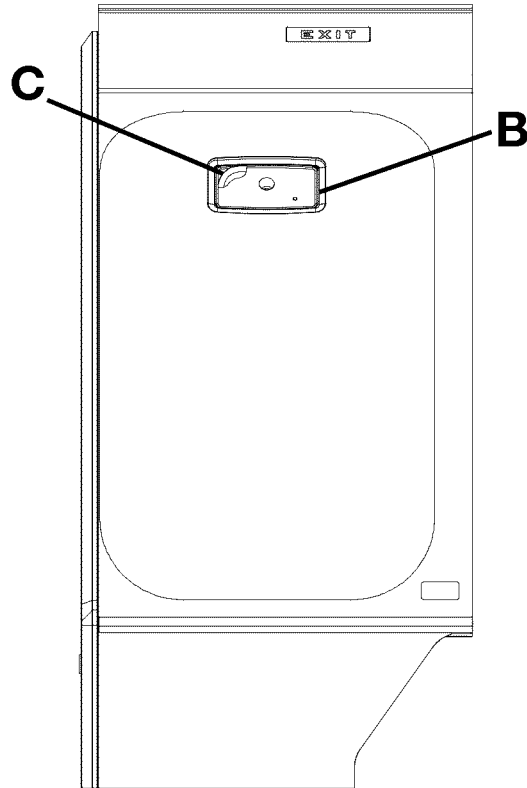
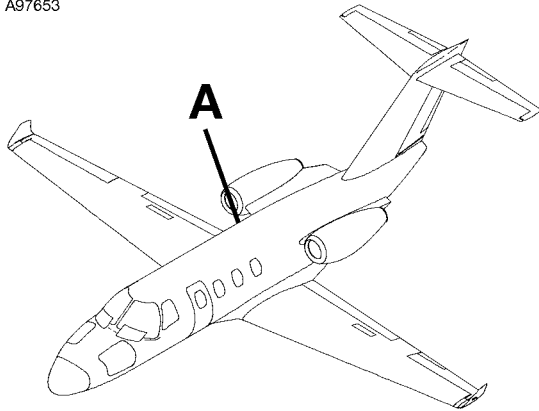
CESSNA®  
**MODEL 525 (SERIALS -0685 AND -0800 AND ON)**  
 ILLUSTRATED PARTS CATALOG

FIG ITEM	PART NUMBER	1 2 3 4 5 6 7	NOMENCLATURE	UNITS PER ASSY		
01						
75	4316002-18		. DECAL-HANDLE OPERATION. . . . .	0859	& ON	01 R
76	4316002-19		. DECAL-PUSH BUTTON . . . . .	0859	& ON	01 R

- ITEM NOT ILLUSTRATED

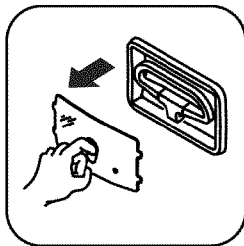
CESSNA®  
**MODEL 525 (SERIALS -0685 AND -0800 AND ON)**  
 ILLUSTRATED PARTS CATALOG

A97653



1

▲ **DETAIL E**



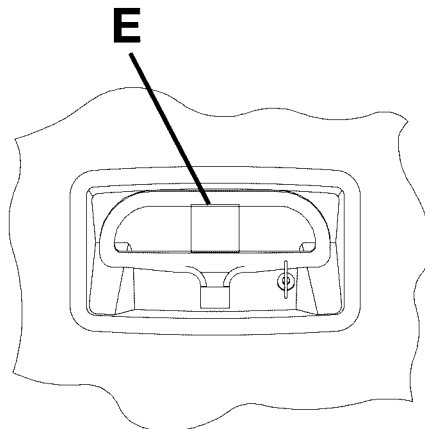
2

▲ **DETAIL D**

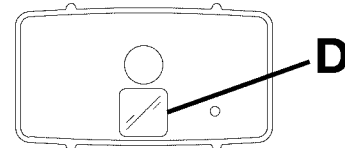
◀ **FWD**

**DETAIL A**

View Looking Outboard



**DETAIL C**



**DETAIL B**

▲ Required for Dispatch

6310T1168  
 A6310T1180  
 B6310T1180  
 C6310T1180

ISLE OF MAN INTERIOR PLACARDS AND MARKINGS - ESCAPE HATCH  
 FIGURE 02 (SHEET 1)

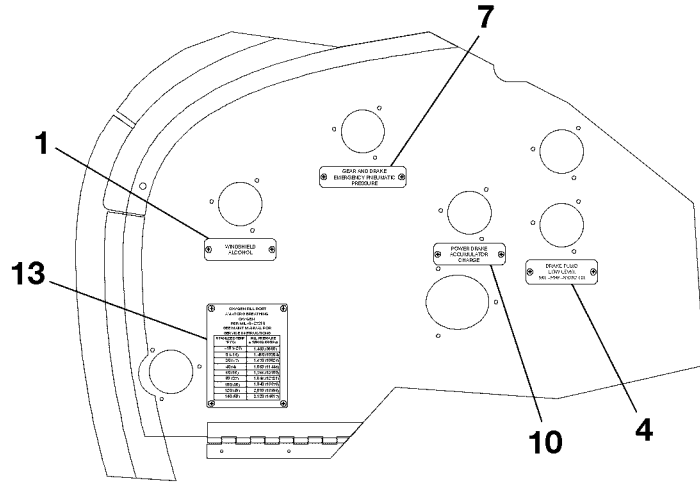
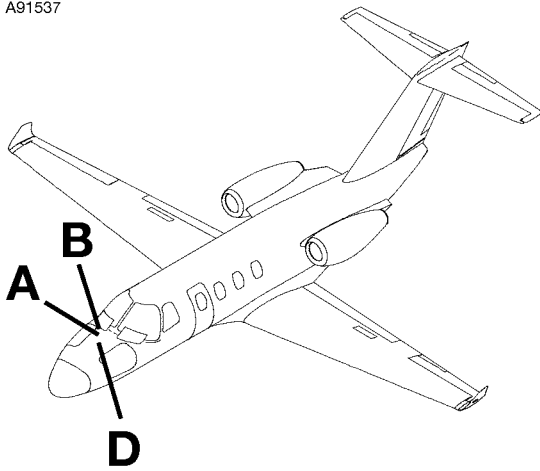
CESSNA®  
**MODEL 525 (SERIALS -0685 AND -0800 AND ON)**  
 ILLUSTRATED PARTS CATALOG

FIG ITEM	PART NUMBER	1 2 3 4 5 6 7	NOMENCLATURE	UNITS PER ASSY		
				0859	& ON	RF R
02			ISLE OF MAN INTERIOR PLACARDS AND MARKINGS - ESCAPE HATCH			
-						
1	4316002-27		. PLACARD-OPEN .....			01 R
2	4316002-26		. PLACARD-REMOVE COVER .....			01 R

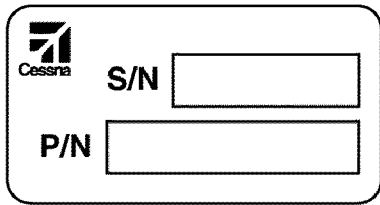
- ITEM NOT ILLUSTRATED

CESSNA®  
**MODEL 525 (SERIALS -0685 AND -0800 AND ON)**  
 ILLUSTRATED PARTS CATALOG

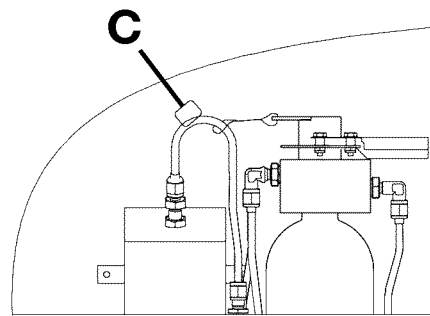
A91537



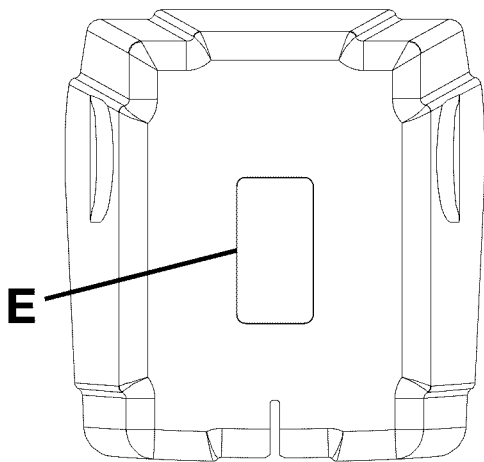
**DETAIL A**



**17**  
**DETAIL E**



**DETAIL B**



**DETAIL D**

**USE COPPER WIRE  
 PER MS20995CY15  
 OR EQUIVALENT.**

**16**  
**DETAIL C**  
 Located on Safety Wire  
 Connecting to Control  
 Valve Lever

6310T1168  
 A6312T1280  
 B6312T1280  
 D6312T1280  
 D6312T1280

U.S. EXTERIOR PLACARDS AND MARKINGS - NOSE  
 FIGURE 01 (SHEET 1)

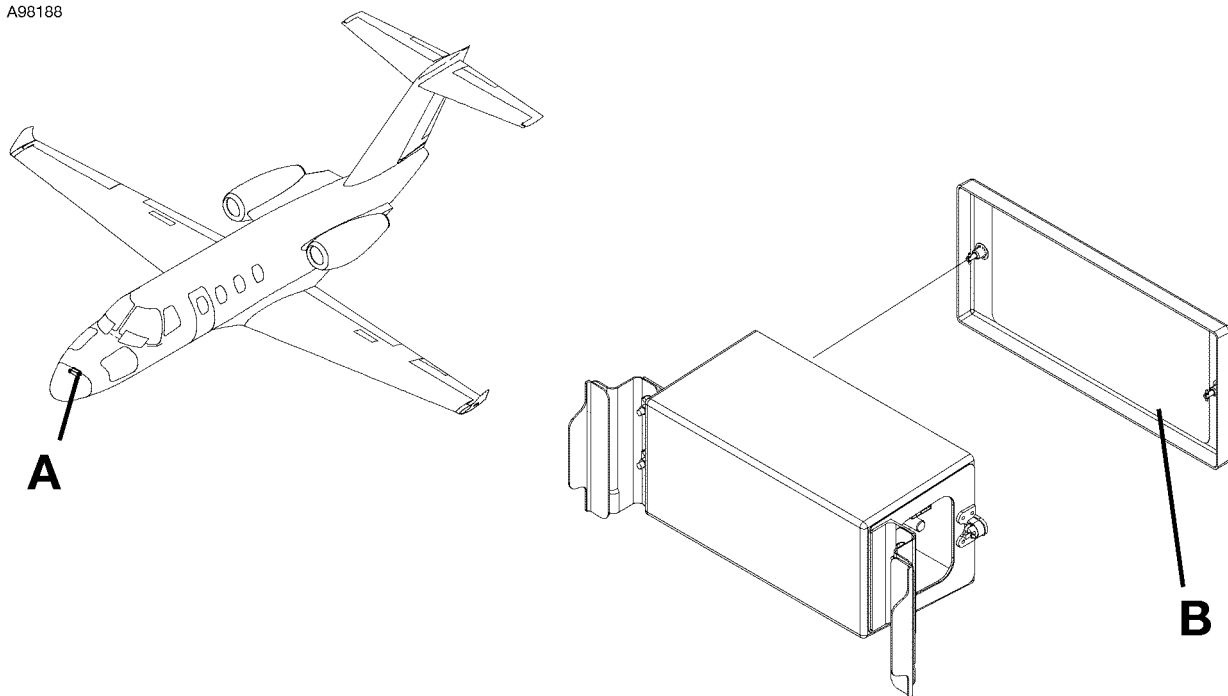
CESSNA®  
**MODEL 525 (SERIALS -0685 AND -0800 AND ON)**  
 ILLUSTRATED PARTS CATALOG

FIG ITEM	PART NUMBER	NOMENCLATURE	UNITS
			PER ASSY
		1 2 3 4 5 6 7	
01			
-		U.S. EXTERIOR PLACARDS AND MARKINGS - NOSE	RF
1	5501001-98	. PLACARD-WINDSHIELD ALCOHOL . . . . .	01
		ATTACHING PARTS	
- 2	S1021A4-8C	. SCREW . . . . .	02
- 3	S4215-1	. NUT . . . . .	02
		—*—	
4	6301000-9	. PLACARD-LOW BRAKE FLUID . . . . .	01
		ATTACHING PARTS	
- 5	S1021A4-8C	. SCREW . . . . .	02
- 6	S4215-1	. NUT . . . . .	02
		—*—	
7	5501001-88	. PLACARD-EMERGENCY PNEUMATIC PRESSURE . . . . .	01
		ATTACHING PARTS	
- 8	S1021A4-8C	. SCREW . . . . .	02
- 9	S4215-1	. NUT . . . . .	02
		—*—	
10	5501001-87	. PLACARD-POWER BRAKE ACCUMULATOR CHARGE . . . . .	01
		ATTACHING PARTS	
- 11	S1021A4-8C	. SCREW . . . . .	02
- 12	S4215-1	. NUT . . . . .	02
		—*—	
13	7105003-3	. PLACARD-OXYGEN . . . . .	01
		ATTACHING PARTS	
- 14	S1021A4-8C	. SCREW . . . . .	04
- 15	S4215-1	. NUT . . . . .	04
		—*—	
16	5501001-119	. PLACARD-BLOWDOWN BOTTLE . . . . .	01
17	6940002-8	. PLACARD-LIFE LIMITS ID . . . . .	01

- ITEM NOT ILLUSTRATED

CESSNA®  
MODEL 525 (SERIALS -0685 AND -0800 AND ON)  
ILLUSTRATED PARTS CATALOG

A98188



**DETAIL A**



**DETAIL B**

6310T1168

U.S. EXTERIOR PLACARDS AND MARKINGS - NOSE  
FIGURE 01 (SHEET 2)

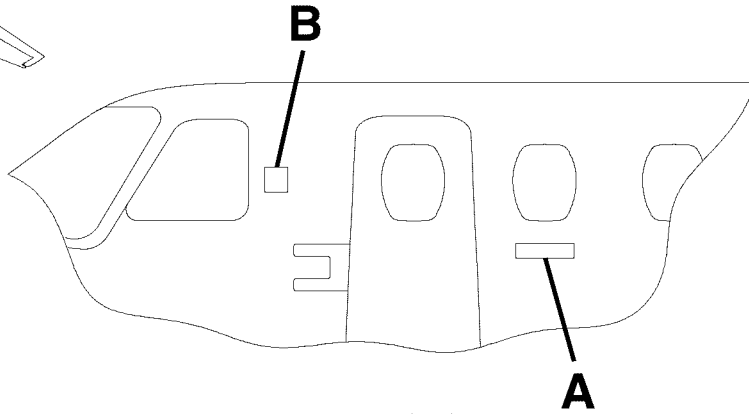
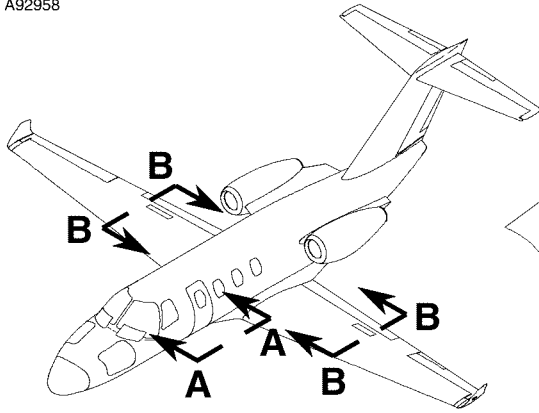
CESSNA®  
**MODEL 525 (SERIALS -0685 AND -0800 AND ON)**  
 ILLUSTRATED PARTS CATALOG

FIG ITEM	PART NUMBER	1 2 3 4 5 6 7	NOMENCLATURE	UNITS PER ASSY		
01						
75	6318943-24		. PLACARD-AUXILIARY J-BOX . . . . .	0800	0876	01 R
- 75A	6318943-28		. PLACARD-AUXILIARY J-BOX . . . . .	0877	& ON	01 R

- ITEM NOT ILLUSTRATED

CESSNA®  
MODEL 525 (SERIALS -0685 AND -0800 AND ON)  
ILLUSTRATED PARTS CATALOG

A92958



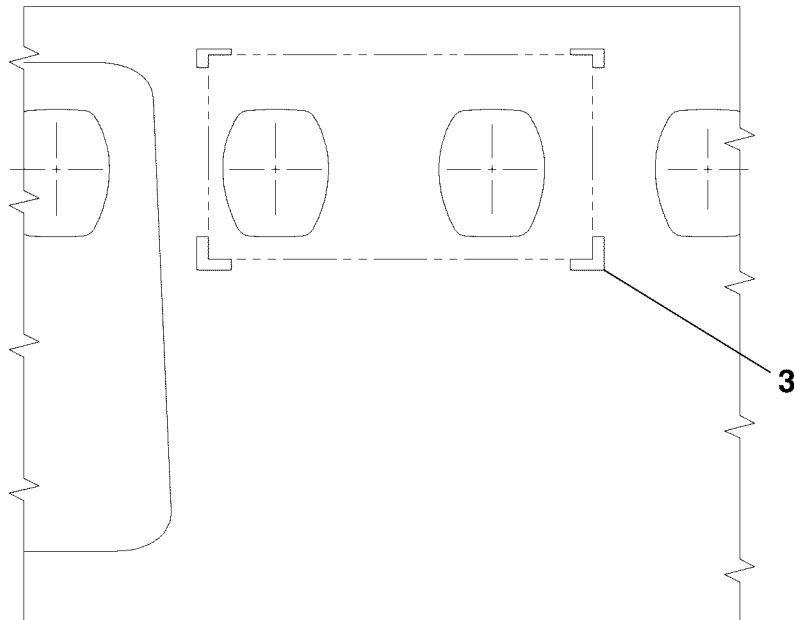
VIEW A-A



2  
DETAIL B

**CITATION**  
**M2**

1  
DETAIL A



VIEW B-B

6310T1168  
AA6314T1174

U.S. EXTERIOR PLACARDS AND MARKINGS - FUSELAGE  
FIGURE 02 (SHEET 1)



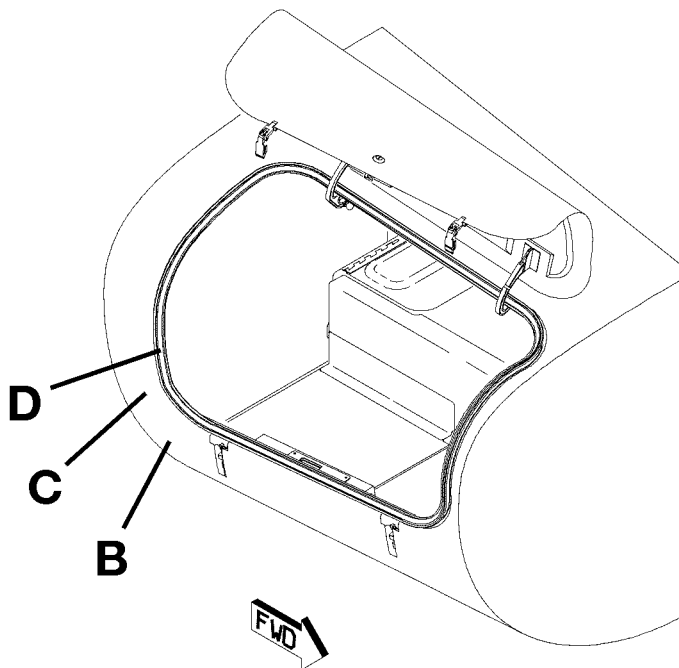
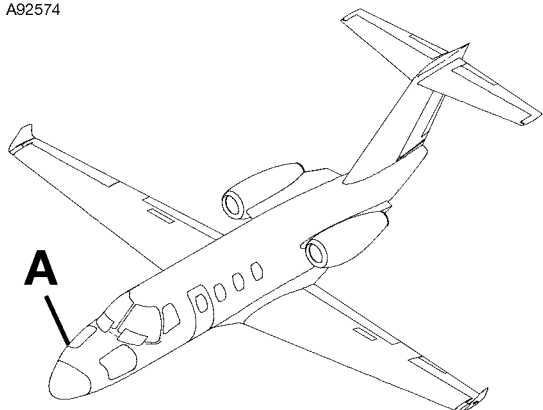
CESSNA®  
**MODEL 525 (SERIALS -0685 AND -0800 AND ON)**  
 ILLUSTRATED PARTS CATALOG

FIG ITEM	PART NUMBER	1 2 3 4 5 6 7	NOMENCLATURE	UNITS
				PER ASSY
02				
-			U.S. EXTERIOR PLACARDS AND MARKINGS - FUSELAGE	RF
1	4416001-32		. DECAL-M2 . . . . .	02
2	6505010-124		. DECAL-CESSNA LOGO . . . . .	02
3	6390035-1		. STENCIL-BREAK-IN POINT MARKINGS . . . . .	01 R

- ITEM NOT ILLUSTRATED

CESSNA®  
**MODEL 525 (SERIALS -0685 AND -0800 AND ON)**  
 ILLUSTRATED PARTS CATALOG

A92574



**DETAIL A**

**OXYGEN FILLER**  
 AVIATORS BREATHING OXYGEN  
 PER MIL-O-27210  
 SEE SERVICE MANUAL FOR  
 SERVICING INSTRUCTIONS

3  
**DETAIL D**

**OXYGEN HIGH  
 PRESSURE RELIEF  
 DO NOT COVER**

1  
**DETAIL B**

**OXYGEN  
 FILL**

2  
**DETAIL C**

6310T1168  
 A6313T1003

U.S. EXTERIOR PLACARDS AND MARKINGS - OXYGEN  
 FIGURE 03 (SHEET 1)

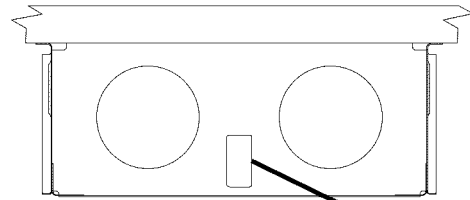
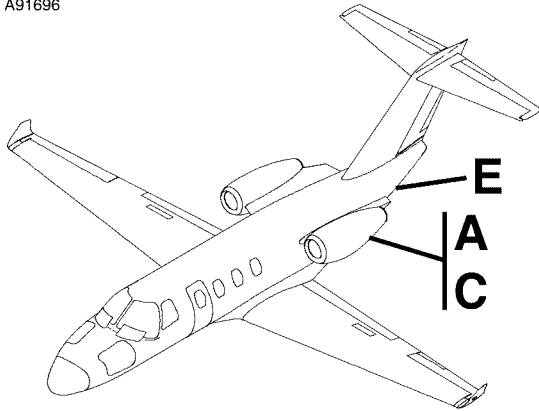
CESSNA®  
**MODEL 525 (SERIALS -0685 AND -0800 AND ON)**  
 ILLUSTRATED PARTS CATALOG

FIG ITEM	PART NUMBER	1 2 3 4 5 6 7	NOMENCLATURE	UNITS PER ASSY
03				
-			U.S. EXTERIOR PLACARDS AND MARKINGS - OXYGEN	RF
1	0800181-14		. PLACARD-HIGH PRESSURE FSO 0800181-13 . . . . .	NP R
- 1A	0800141-13		. PLACARD-HIGH PRESSURE FOR SPARES ONLY . . . . .	01 R
2	5501001-30		. DECAL-FILL FSO 6605020-8 . . . . .	NP R
- 2A	6605020-8		. PLACARD-FILL FOR SPARES ONLY . . . . .	01 R
3	0800181-17		. PLACARD-RECHARGE . . . . .	01

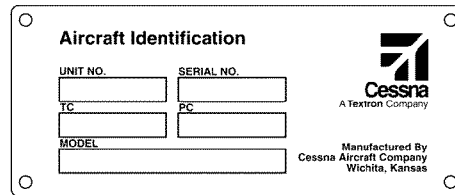
- ITEM NOT ILLUSTRATED

CESSNA®  
**MODEL 525 (SERIALS -0685 AND -0800 AND ON)**  
 ILLUSTRATED PARTS CATALOG

A91696



**DETAIL A**



**3**

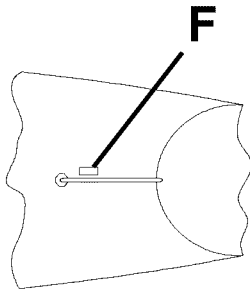
**DETAIL F**

Airplanes -0800 thru -0880

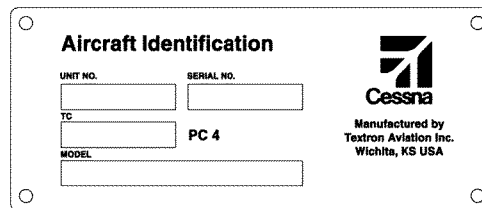
CBrF <sub>3</sub> -N <sub>2</sub>		
TEMP-PRESS RELATION TABLE		
TEMPERATURE DEGREES F.	MINIMUM ALLOWABLE PRESSURE	MAXIMUM ALLOWABLE PRESSURE
-60	267	343
-40	292	370
-20	320	400
0	55	437
20	396	486
40	449	540
60	518	618
80	593	702
100	670	784
120	755	885
160	957	1091

**2**

**DETAIL B**



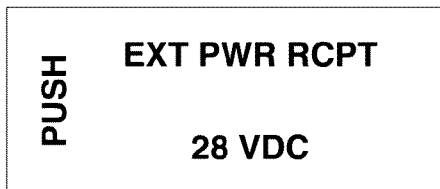
**DETAIL E**



**3A**

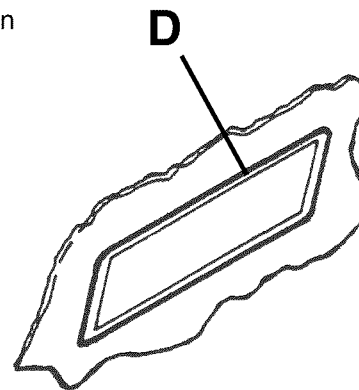
**DETAIL F**

Airplanes -0881 and On



**1**

**DETAIL D**



**DETAIL C**

6310T1168  
 A6314T1091  
 E6319T1013

U.S. EXTERIOR PLACARDS AND MARKINGS - TAILCONE  
 FIGURE 04 (SHEET 1)

CESSNA®  
**MODEL 525 (SERIALS -0685 AND -0800 AND ON)**  
 ILLUSTRATED PARTS CATALOG

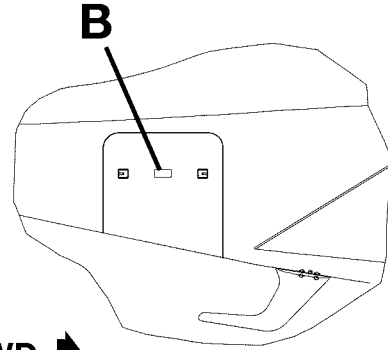
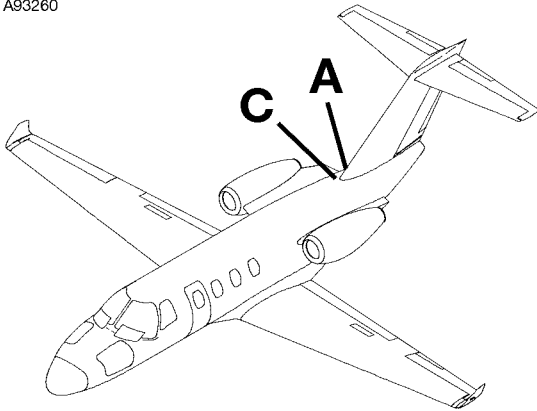
FIG ITEM	PART NUMBER	NOMENCLATURE	UNITS PER ASSY		
			1	2	3
04		U.S. EXTERIOR PLACARDS AND MARKINGS - TAILCONE			RF
-					
1	5501001-24	. DECAL-EXTERNAL POWER RECEPTACLE FSO 5501001-23 . . . . .			NP
- 1A	5501001-23	. DECAL-EXTERNAL POWER RECEPTACLE FOR SPARES ONLY . . . . .			01
2	6301000-6	. PLACARD-FIRE BOTTLE TEMPERATURE . . . . .	0800	0833	01
- 2A	S4241-2	. PLACARD-FIRE BOTTLE TEMPERATURE . . . . .	0834	& ON	01
3	S2807-1	. NAMEPLATE-AIRCRAFT IDENTIFICATION REFER TO NOTE 1 . . . . .	0800	0880	01 R
3A	S4441-1	. NAMEPLATE-AIRCRAFT IDENTIFICATION REFER TO NOTE 1 . . . . .	0881	& ON	01 R

NOTE 1—WHEN ORDERING THIS PART, THE OWNER MUST SEND A NOTARIZED DOCUMENT STATING THE REASON FOR ORDERING A NEW ID PLATE. THE TYPE CERTIFICATE NUMBER, PRODUCTION CERTIFICATE NUMBER, PRODUCTION CERTIFICATION NUMBER, ID PLATE NUMBER AND MODEL NUMBER AND THE OLD PLATE FROM THE AIRPLANE SHOULD BE ATTACHED TO THE ORDER, IF AVAILABLE. IF NOT ATTACHED, THE NEW PLATE WILL BE STAMPED DUPLICATE.

- ITEM NOT ILLUSTRATED


CESSNA®  
**MODEL 525 (SERIALS -0685 AND -0800 AND ON)**  
 ILLUSTRATED PARTS CATALOG

A93260



FWD ➔

**DETAIL A**  
 Looking Inboard

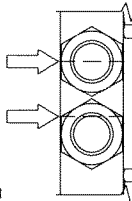
  
A Textron Company

CESSNA  
 P/N 6317500-16 S/N

FOR USE WITH RED MIL-PRF-83282  
 HYDRAULIC FLUID. OPERATING TEMP  
 RANGE: -40 F THRU 225 F. PRESSURE  
 RATING: OPERATING--50 PSIG.  
 VOL. CAPACITY: 305 CI. SERVICE PER  
 APPROPRIATE SERVICE MANUAL.  
 CAUTION: PRIOR TO REMOVING ANY  
 FITTING, RELIEVE PRESSURE FROM  
 RESERVOIR.

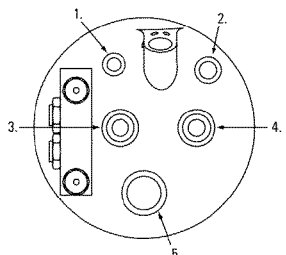
FULL: 178 CI  
 (FLUID LEVEL  
 LINE @ MIDDLE  
 OF UPPER  
 WINDOW)

REFILL: 119 CI  
 (SERVICE  
 WHEN FLUID  
 LEVEL LINE IS  
 VISIBLE IN LOWER  
 WINDOW)



SERVICE RESERVOIR  
 WITH A/C CONFIG AS FOLLOWS:  
 -GEAR EXTENDED  
 -SPD BRAKES STOWED  
 -FLAPS @ 15 DEG POSITION

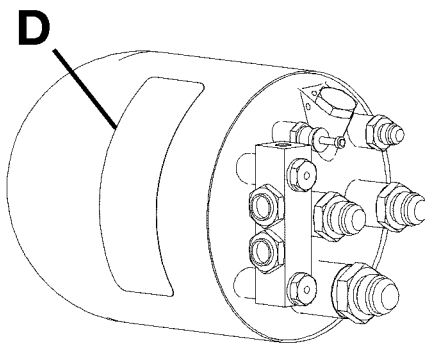
CONNECTIONS:  
 1. RELIEF      2. PNEUMATIC  
 3. RETURN     4. RETURN  
 5. SUCTION



6317500-22

## HYDRAULIC RESERVOIR MIL-PRF-83282 OIL

75  
**DETAIL B**



FWD ➔

**DETAIL C**

76  
**DETAIL D**

6310T1168  
 A6319T1304  
 C6319T1651

U.S. EXTERIOR PLACARDS AND MARKINGS - TAILCONE  
 FIGURE 04 (SHEET 2)

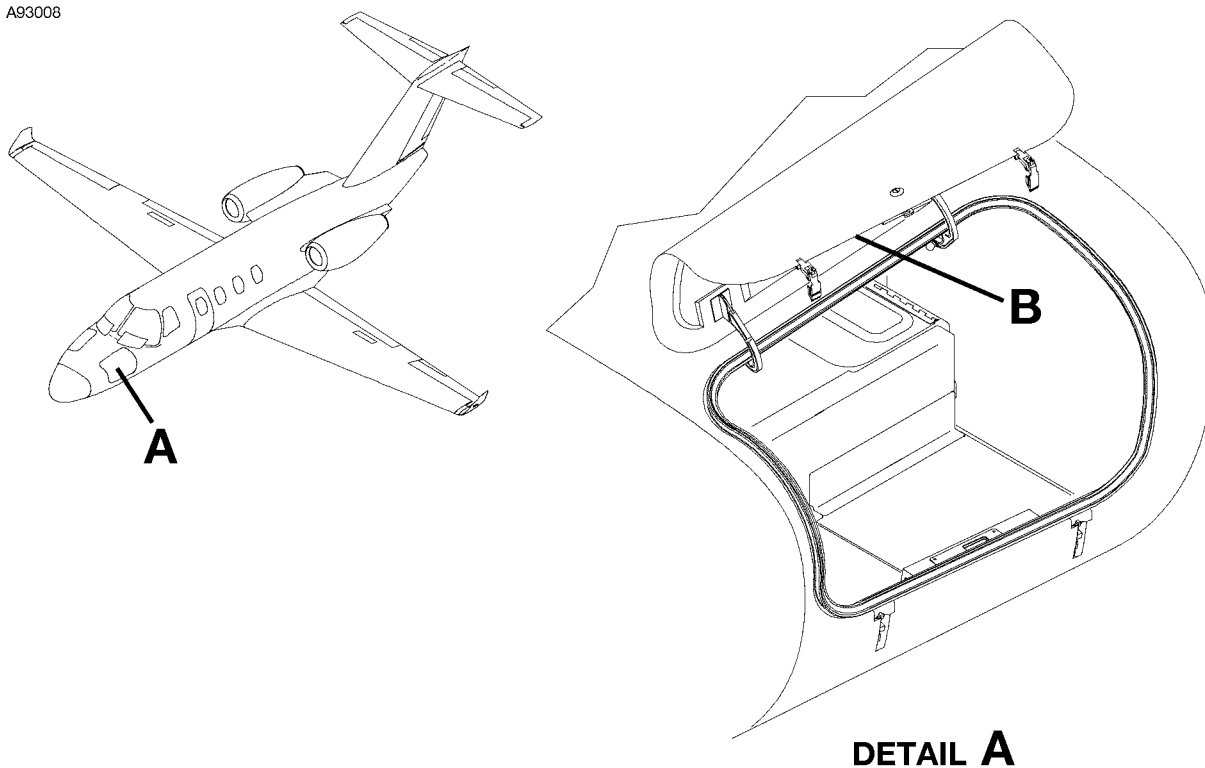
CESSNA®  
**MODEL 525 (SERIALS -0685 AND -0800 AND ON)**  
 ILLUSTRATED PARTS CATALOG

FIG ITEM	PART NUMBER	1 2 3 4 5 6 7	NOMENCLATURE	UNITS PER ASSY
04				
75	6301000-8		. PLACARD-HYDRAULIC RESERVOIR . . . . .	01
76	6317500-22		. NAMEPLATE-HYDRAULIC RESERVOIR . . . . .	01

- ITEM NOT ILLUSTRATED

CESSNA®  
**MODEL 525 (SERIALS -0685 AND -0800 AND ON)**  
ILLUSTRATED PARTS CATALOG

A93008



**MAXIMUM WEIGHT ALLOWANCE  
400 LBS (181 KG).  
MAXIMUM FLOOR LOADING  
35 LBS/FT<sup>2</sup> (170 KG/M<sup>2</sup>).  
SEE AFM FOR WEIGHT  
AND BALANCE DATA.**

1

▲ **DETAIL B**

▲ Required for Dispatch

U.S. EXTERIOR PLACARDS AND MARKINGS - NOSE BAGGAGE  
FIGURE 01 (SHEET 1)

6310T1168  
A6313T1003



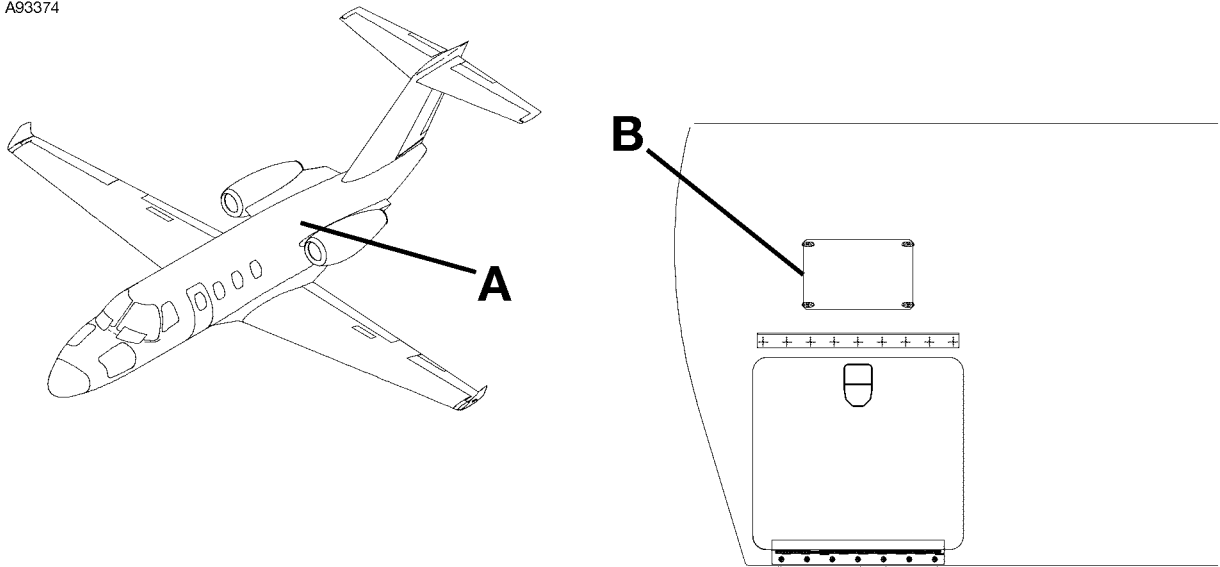
CESSNA®  
**MODEL 525 (SERIALS -0685 AND -0800 AND ON)**  
 ILLUSTRATED PARTS CATALOG

FIG ITEM	PART NUMBER	NOMENCLATURE	UNITS PER ASSY
01			
-		U.S. EXTERIOR PLACARDS AND MARKINGS - NOSE BAGGAGE	RF
1	4416000-163	. PLACARD-MAX BAGGAGE WEIGHT 400LBS . . . . .	02

- ITEM NOT ILLUSTRATED

CESSNA®  
**MODEL 525 (SERIALS -0685 AND -0800 AND ON)**  
ILLUSTRATED PARTS CATALOG

A93374



**DETAIL A**

Looking Forward at Left Hand Side Forward Wall

⊕ MAXIMUM WEIGHT ALLOWANCE ⊕  
325 LBS (147 KG).  
MAXIMUM FLOOR LOADING  
100 LBS/FT<sup>2</sup> (488 KG/M<sup>2</sup>).  
SEE AFM FOR WEIGHT AND BALANCE DATA.  
  
SECURE BAGGAGE WITH CARGO NET.  
  
⊕ LATCH ALL DOORS PRIOR TO FLIGHT. ⊕

1

▲ **DETAIL B**

▲ Required for Dispatch

6310T1168  
A6312T1220

U.S. EXTERIOR PLACARDS AND MARKINGS - AFT BAGGAGE  
FIGURE 02 (SHEET 1)

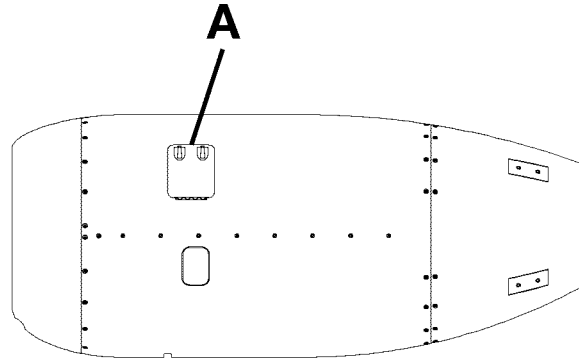
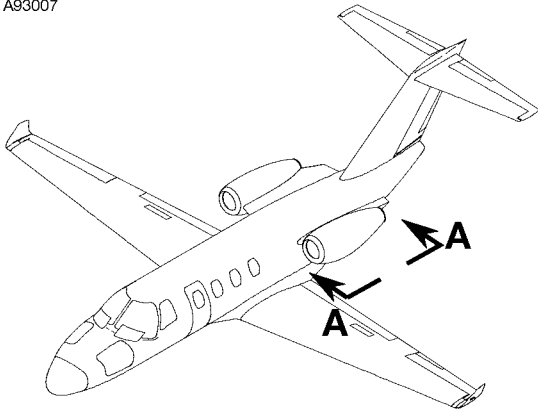
CESSNA®  
**MODEL 525 (SERIALS -0685 AND -0800 AND ON)**  
 ILLUSTRATED PARTS CATALOG

FIG ITEM	PART NUMBER	1 2 3 4 5 6 7	NOMENCLATURE	UNITS PER ASSY
02				
-			U.S. EXTERIOR PLACARDS AND MARKINGS - AFT BAGGAGE	RF
1	4416004-58		. PLACARD-MAX BAGGAGE WEIGHT 325LB . . . . .	01
			ATTACHING PARTS	
- 2	MS35214-14		. SCREW . . . . .	04
- 3	MS21069L04		. NUTPLATE . . . . .	04
			—*—	

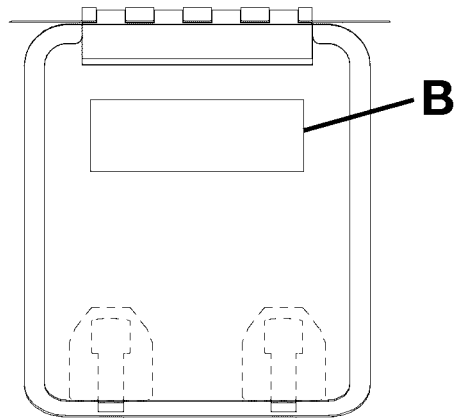
- ITEM NOT ILLUSTRATED

CESSNA®  
**MODEL 525 (SERIALS -0685 AND -0800 AND ON)**  
 ILLUSTRATED PARTS CATALOG

A93007



**VIEW A-A**



**DETAIL A**

View Looking Down at Open Door

**ENGINE OIL**

**CAPACITY 1.02 US GALLONS/3.86 LITERS**

**TYPE: SEE AIRPLANE FLIGHT MANUAL  
FOR APPROVED OILS**

6301000-7

1

**DETAIL B**

6310T1168  
 A6350T1022  
 AA6350T1022  
 B6350T1023

U.S. EXTERIOR PLACARDS AND MARKINGS - NACELLES AND PYLONS  
 FIGURE 01 (SHEET 1)

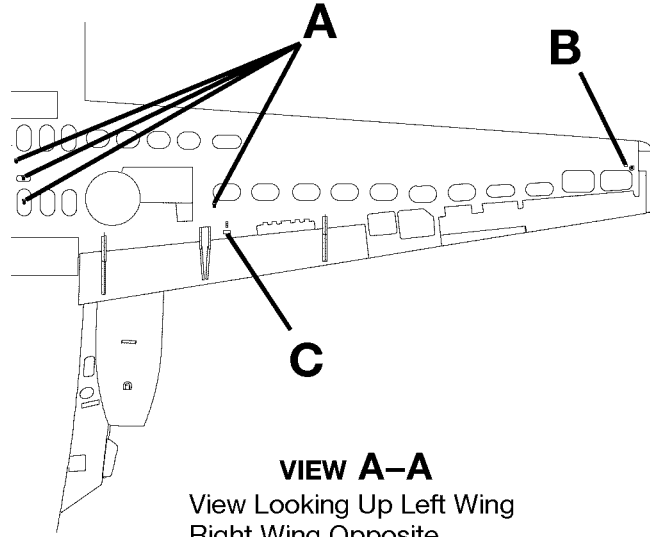
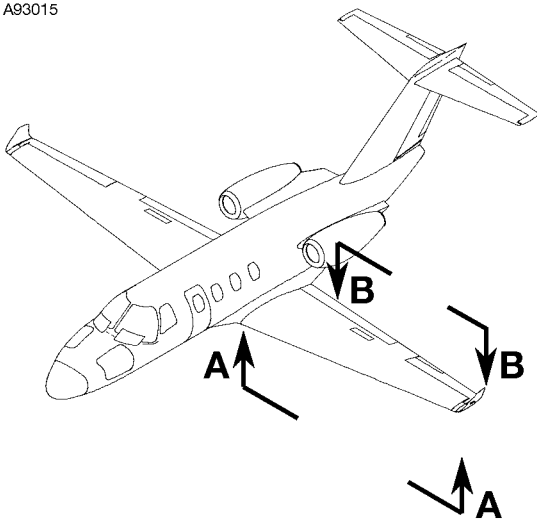
CESSNA®  
**MODEL 525 (SERIALS -0685 AND -0800 AND ON)**  
 ILLUSTRATED PARTS CATALOG

FIG ITEM	PART NUMBER	NOMENCLATURE	UNITS PER ASSY
	1 2 3 4 5 6 7		
01		U.S. EXTERIOR PLACARDS AND MARKINGS - NACELLES AND PYLONS	RF
-		. PLACARD-ENGINE OIL .....	02
1	6301000-7		

- ITEM NOT ILLUSTRATED

CESSNA®  
**MODEL 525 (SERIALS -0685 AND -0800 AND ON)**  
 ILLUSTRATED PARTS CATALOG

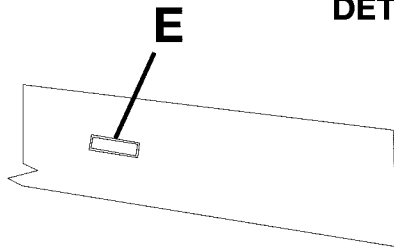
A93015



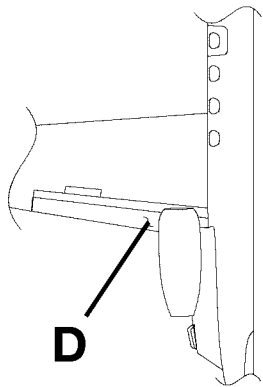
**VIEW A-A**  
 View Looking Up Left Wing  
 Right Wing Opposite

**NO STEP**

4  
**DETAIL E**



**DETAIL D**



**VIEW B-B**  
 View Looking Down Left Wing  
 Right Wing Opposite

**TANK & SUMP  
 DRAIN**

1  
**DETAIL A**

**GROUND  
 UNDER  
 WING**

2  
**DETAIL B**

**CAUTION**  
 PARKING BRAKE MUST BE  
 DISENGAGED AND TAIL STAND  
 REMOVED PRIOR TO DOWN  
 JACKING TO PREVENT DAMAGE  
 TO THE AIRCRAFT.

3  
**DETAIL C**

U.S. EXTERIOR PLACARDS AND MARKINGS - WINGS  
 FIGURE 01 (SHEET 1)

6310T1168  
 AA6310T1181  
 BB6310T1181  
 D6310T1181

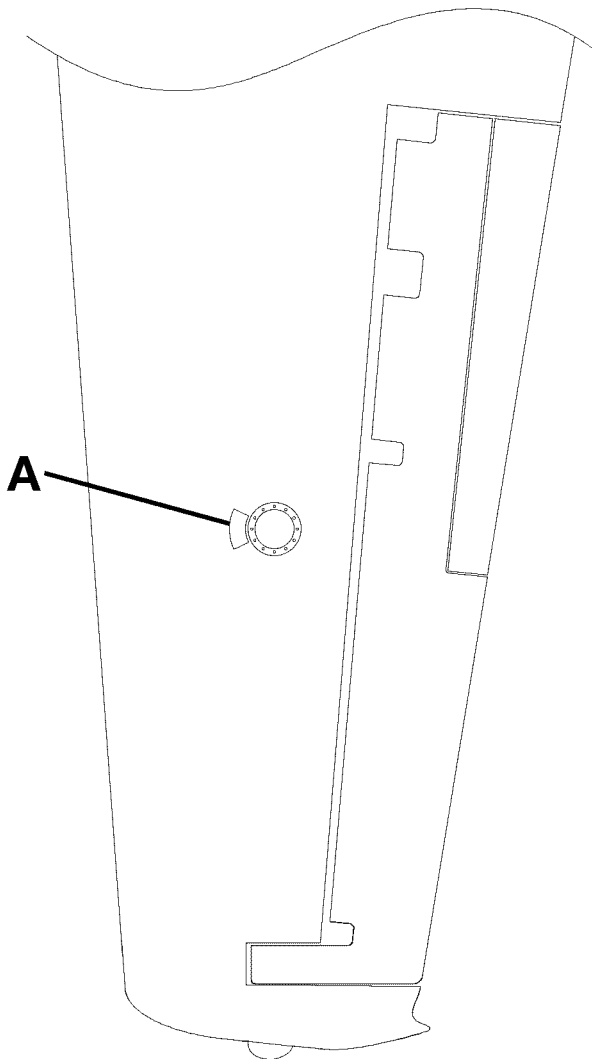
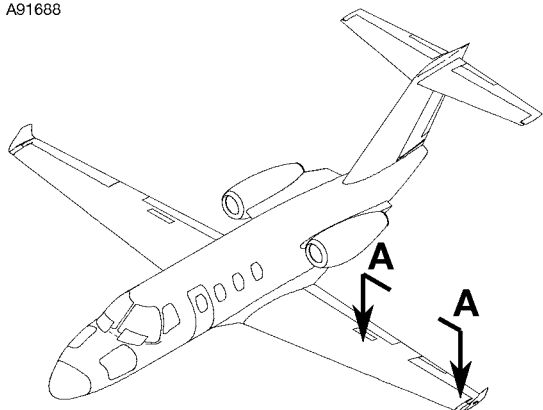
CESSNA®  
**MODEL 525 (SERIALS -0685 AND -0800 AND ON)**  
 ILLUSTRATED PARTS CATALOG

FIG ITEM	PART NUMBER	1 2 3 4 5 6 7	NOMENCLATURE	UNITS PER ASSY
01				
-			U.S. EXTERIOR PLACARDS AND MARKINGS - WINGS	RF
1	5550001-9		. PLACARD-SUMP DRAIN . . . . .	08
2	5501001-17		. DECAL-GROUND POINT . . . . .	02
3	6705010-2		. PLACARD-JACK WARNING . . . . .	02
4	6200183-1		. PLACARD-NO STEP . . . . .	02

- ITEM NOT ILLUSTRATED

CESSNA®  
MODEL 525 (SERIALS -0685 AND -0800 AND ON)  
ILLUSTRATED PARTS CATALOG

A91688



◀ FWD  
VIEW A-A



1  
DETAIL A

U.S. EXTERIOR PLACARDS AND MARKINGS - FUEL  
FIGURE 02 (SHEET 1)

6310T1168  
AA6310T1168



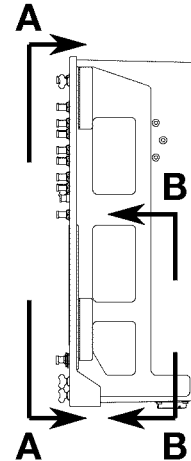
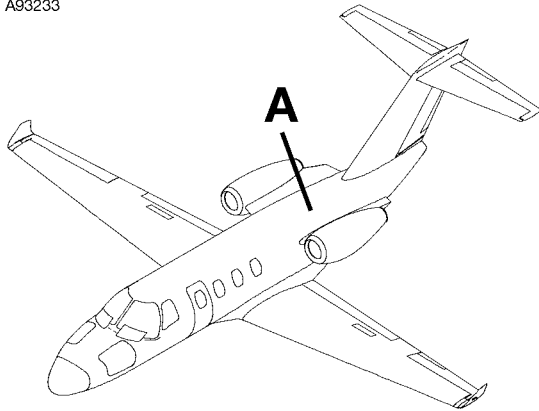
CESSNA®  
**MODEL 525 (SERIALS -0685 AND -0800 AND ON)**  
 ILLUSTRATED PARTS CATALOG

FIG ITEM	PART NUMBER	NOMENCLATURE	UNITS PER ASSY
	1 2 3 4 5 6 7		
02			
-		U.S. EXTERIOR PLACARDS AND MARKINGS - FUEL	RF
1	S4373-5	. PLACARD-USABLE FUEL . . . . .	02

- ITEM NOT ILLUSTRATED

CESSNA®  
**MODEL 525 (SERIALS -0685 AND -0800 AND ON)**  
 ILLUSTRATED PARTS CATALOG

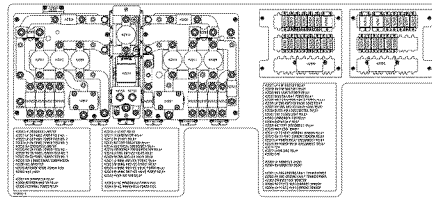
A93233



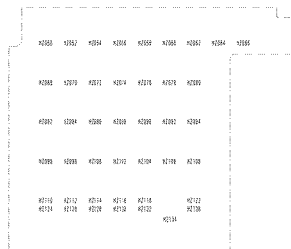
**DETAIL A**  
 Looking Inboard



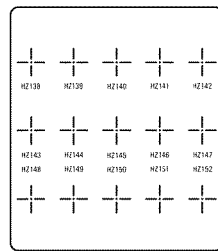
**6**  
**DETAIL E**



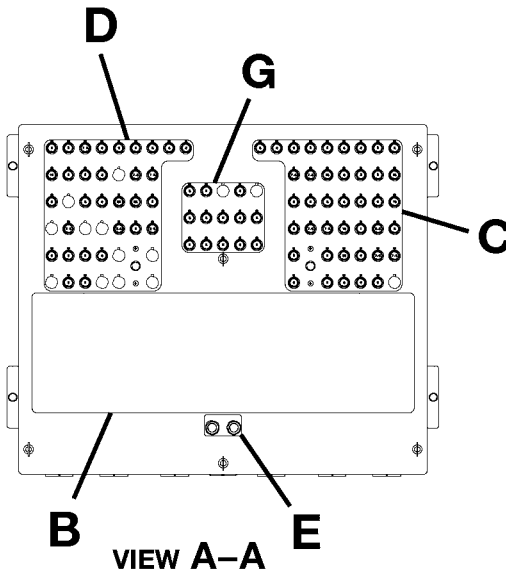
**2**  
**DETAIL F**



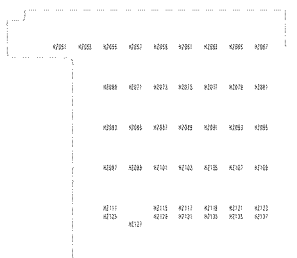
**4**  
**DETAIL D**



**5**  
**DETAIL G**



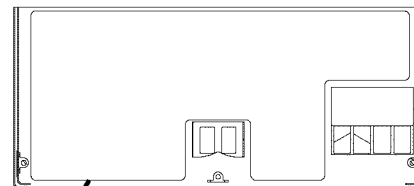
**VIEW A-A**



**3**  
**DETAIL C**



**1**  
**DETAIL B**



**F**  
**VIEW B-B**

6310T1168  
 A6314T1739  
 AA6314T1740  
 BB6314T1741

U.S. EXTERIOR PLACARDS AND MARKINGS - POWER JUNCTION BOX  
 FIGURE 03 (SHEET 1)

CESSNA®  
**MODEL 525 (SERIALS -0685 AND -0800 AND ON)**  
 ILLUSTRATED PARTS CATALOG

FIG ITEM	PART NUMBER	NOMENCLATURE	UNITS PER ASSY	
			1 2 3 4 5 6 7	
03		U.S. EXTERIOR PLACARDS AND MARKINGS - POWER JUNCTION BOX		RF
-				
1	6318963-9	. PLACARD-POWER J-BOX FRONT . . . . .	0800	0893 01
- 1A	6318963-11	. PLACARD-POWER J-BOX FRONT . . . . .	0894	0991 01 R
- 1B	6318963-15	. PLACARD-POWER J-BOX FRONT . . . . .	0992	0992 01 R
- 1C	6318963-17	. PLACARD-POWER J-BOX FRONT . . . . .	0993	& ON 01 R
2	6318963-10	. PLACARD-POWER J-BOX BACK . . . . .	0800	0893 01
- 2A	6318963-12	. PLACARD-POWER J-BOX BACK . . . . .	0894	0973 01
- 2B	6318963-14	. PLACARD-POWER J-BOX BACK REFER TO NOTE 2 . . . . .	0974	0991 01 R
- 2C	6318963-19	. PLACARD-POWER J-BOX BACK . . . . .	0992	& ON 01 R
3	6318962-15	. SILKSCREEN-CB LH REFER TO NOTE 1 . . . . .	0800	0991 01 R
- 3A	6318939-9	. SILKSCREEN-CB LH REFER TO NOTE 1 . . . . .	0992	& ON 01 R
4	6318962-16	. SILKSCREEN-CB RH REFER TO NOTE 1 . . . . .	0800	0991 01 R
- 4A	6318939-10	. SILKSCREEN-CB RH REFER TO NOTE 1 . . . . .	0992	& ON 01 R
5	6318939-3	. SILKSCREEN-CB CENTER REFER TO NOTE 1 . . . . .		01
6	6318939-12	. SILKSCREEN-CB ELECTRICAL/AVIONICS REFER TO NOTE 1 . . . . .		01

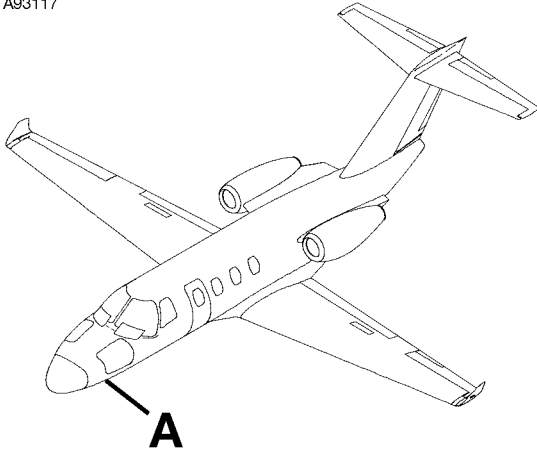
NOTE 1—WHEN ORDERING SILKSCREEN PART NUMBERS, THE PRODUCT YOU RECEIVE WILL BE IN THE FORM OF A PLACARD.


NOTE 2—AIRPLANES -0974 THRU -0991 AND AIRPLANES -0800 THRU -0973 INCORPORATING SB525-24-31.

R


CESSNA®  
**MODEL 525 (SERIALS -0685 AND -0800 AND ON)**  
 ILLUSTRATED PARTS CATALOG

A93117



 P/N: 6343001-10  
 S/N:  
 ASSY DATE: Q  
 6340002-35

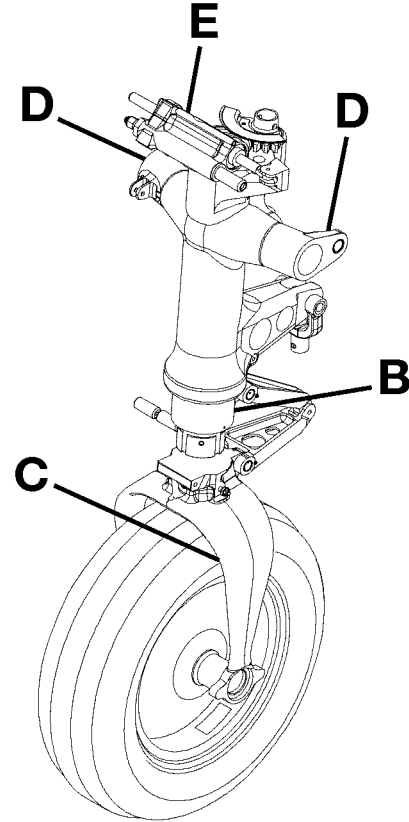
2  
**DETAIL E**

 S/N [REDACTED]  
 P/N [REDACTED]


3  
**DETAIL D**

 S/N [REDACTED]  
 P/N [REDACTED]  
A Textron Company

4  
**DETAIL C**



**DETAIL A**

 MODEL NO. [REDACTED]  
 ○ S/N [REDACTED] ○  
 P/N [REDACTED]

1  
**DETAIL B**  
 On Aft Side of Nose Gear Strut

U.S. EXTERIOR PLACARDS AND MARKINGS - NOSE LANDING GEAR (NLG)  
 FIGURE 01 (SHEET 1)

6310T1168  
 A634T2000

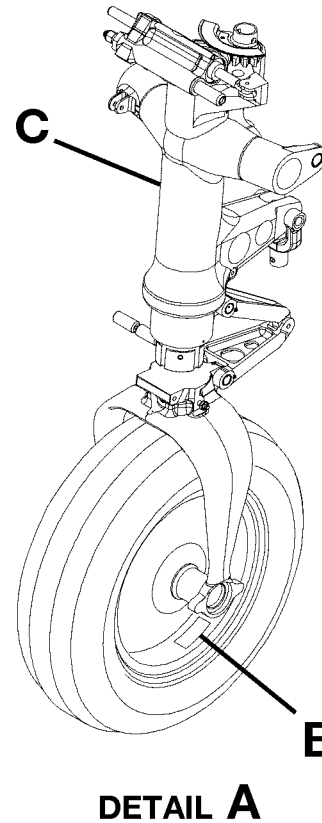
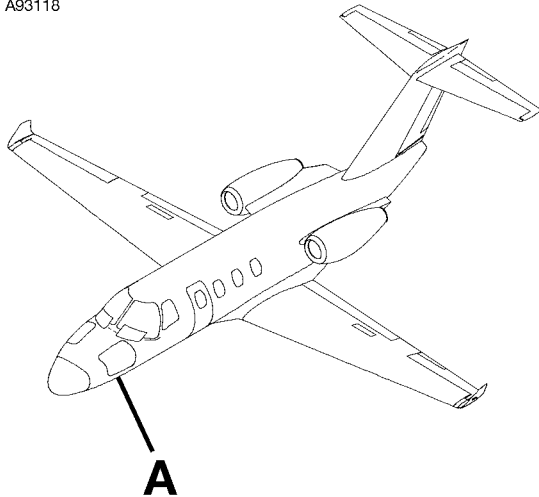
CESSNA®  
**MODEL 525 (SERIALS -0685 AND -0800 AND ON)**  
 ILLUSTRATED PARTS CATALOG

FIG ITEM	PART NUMBER	NOMENCLATURE	UNITS PER ASSY
	1 2 3 4 5 6 7		
01		U.S. EXTERIOR PLACARDS AND MARKINGS - NOSE LANDING GEAR (NLG)	RF
-			
1	6640001-4	. NAMEPLATE . . . . .	01
2	6340002-35	. PLACARD-SHIMMY DAMPER ID . . . . .	01
3	6340004-6	. PLACARD-LIFE LIMITS ID ON TRUNNION SUPPORT . . . . .	02
4	6940002-8	. PLACARD-LIFE LIMITS ID . . . . .	01

- ITEM NOT ILLUSTRATED

CESSNA®  
MODEL 525 (SERIALS -0685 AND -0800 AND ON)  
ILLUSTRATED PARTS CATALOG

A93118



**FILLING INSTRUCTIONS**

1. DEFLATE STRUT AIR CHAMBER (LOWER).
2. REMOVE METERING PIN FROM TOP CENTER OF STRUT
3. PUMP APPROVED MIL-PRF-83282 INTO STRUT TO EXTEND STRUT FULL LENGTH.
4. BLEED FLUID BACK INTO HAND PUMP TO FULLY COLLAPSE STRUT.
5. REPEAT STEPS 3 & 4 UNTIL NO AIR IS BEING DISCHARGED FROM OIL CHAMBER.
6. REMOVE HOSE & REINSTALL METERING PIN IN TOP OF STRUT. (DO NOT DISTURB FROM COLLAPSED POSITION UNTIL METERING PIN IS REPLACED AND SECURELY TIGHTENED).
7. CHARGE STRUT AT AIR VALVE TO SLIGHTLY ABOVE 90 PSIG. DISCHARGE STRUT TO ACHIEVE REQUIRED 90 PSIG, AND TO EXPEL ANY LIQUID IN THE AIR CHAMBER.
8. SECURE VALVE POPPET AND CAP STEM.

**76**

**DETAIL C**

**INFLATE TIRE 120 ± 5 PSIG (UNLOADED) & 125 ± 5 PSIG (LOADED)**

**75**

**DETAIL B**

U.S. EXTERIOR PLACARDS AND MARKINGS - NOSE LANDING GEAR (NLG)  
FIGURE 01 (SHEET 2)

6310T1168  
A634T2000

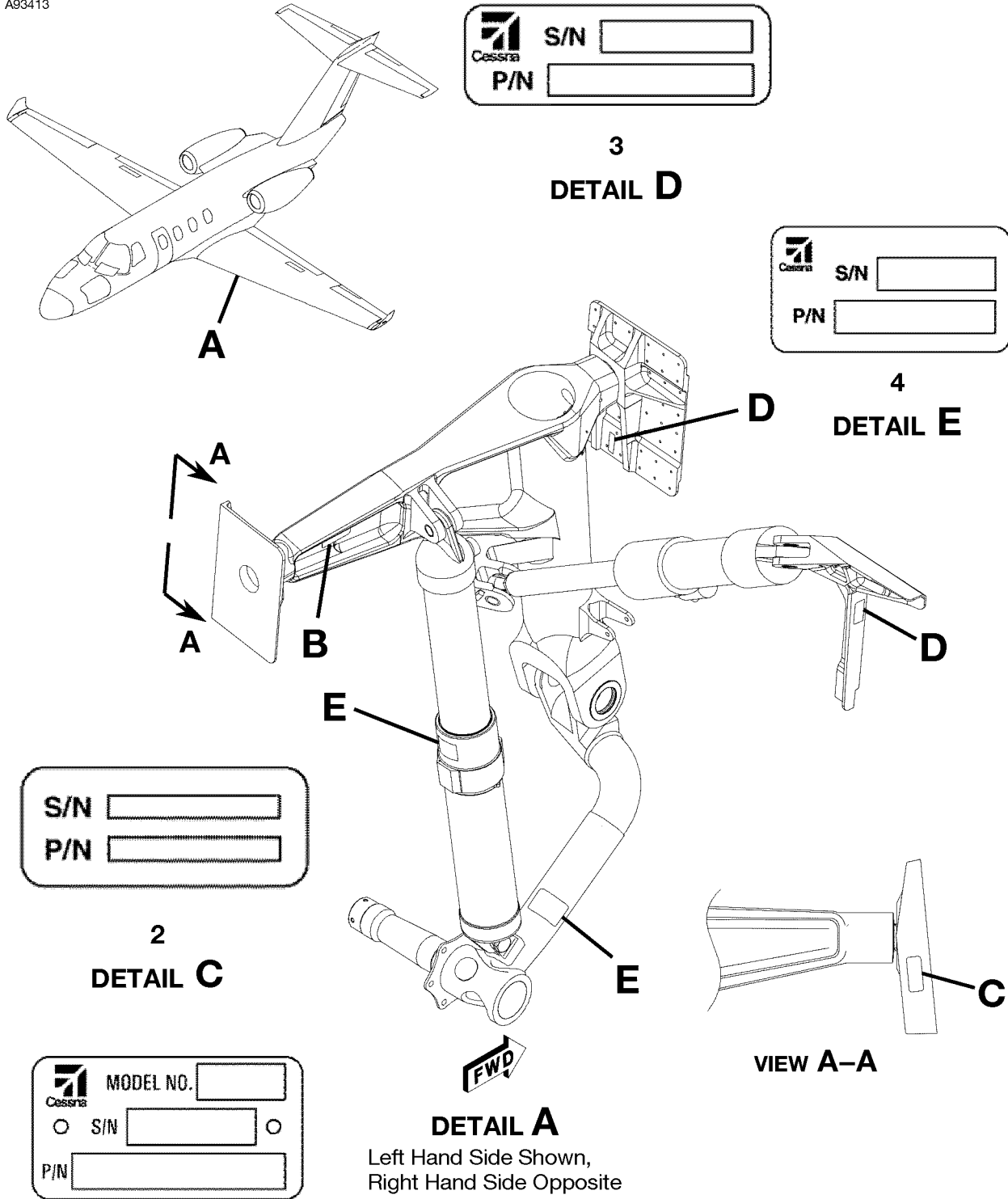
CESSNA®  
**MODEL 525 (SERIALS -0685 AND -0800 AND ON)**  
 ILLUSTRATED PARTS CATALOG

FIG ITEM	PART NUMBER	NOMENCLATURE	UNITS
			PER ASSY
01			
75	6640001-16	. PLACARD-TIRE INFLATION . . . . .	01
76	6340002-37	. PLACARD-FILLING INSTRUCTIONS . . . . .	01

- ITEM NOT ILLUSTRATED

CESSNA®  
**MODEL 525 (SERIALS -0685 AND -0800 AND ON)**  
 ILLUSTRATED PARTS CATALOG

A93413



**1**  
**DETAIL B**

U.S. EXTERIOR PLACARDS AND MARKINGS - MAIN LANDING GEAR (MLG)  
 FIGURE 02 (SHEET 1)

6310T1168  
 A6341T1106  
 AA6341T1106



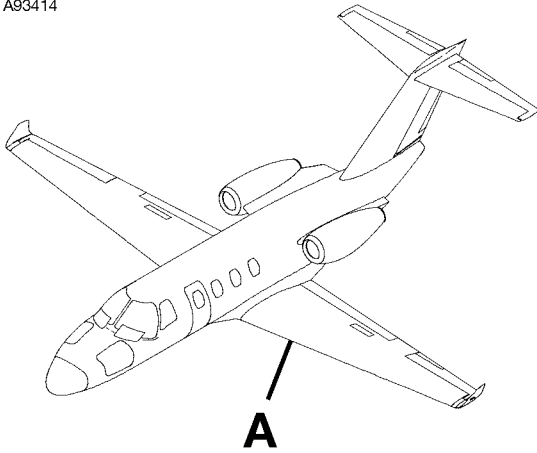
CESSNA®  
**MODEL 525 (SERIALS -0685 AND -0800 AND ON)**  
 ILLUSTRATED PARTS CATALOG

FIG ITEM	PART NUMBER	NOMENCLATURE	UNITS PER ASSY
	1 2 3 4 5 6 7		
02		U.S. EXTERIOR PLACARDS AND MARKINGS - MAIN LANDING GEAR (MLG)	RF
-		. NAMEPLATE . . . . .	02
1	6640001-4	. PLACARD-PART NUMBER ID . . . . .	02
2	7005002-3	. PLACARD-LIFE LIMITS ID ON TRUNNION SUPPORT . . . . .	04
3	6340004-6	. PLACARD-LIFE LIMITS ID . . . . .	04
4	6940002-8		

- ITEM NOT ILLUSTRATED

CESSNA®  
**MODEL 525 (SERIALS -0685 AND -0800 AND ON)**  
 ILLUSTRATED PARTS CATALOG

A93414



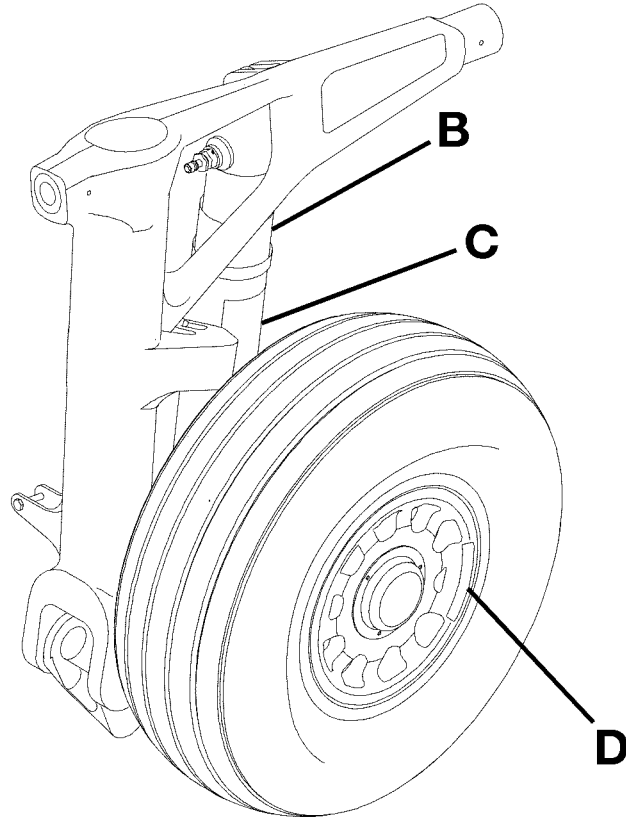
INFLATE TIRE 103 ± 5 PSIG (UNLOADED) & 107 ± 5 PSIG (LOADED)

**77**  
**DETAIL D**

**FILLING INSTRUCTIONS**

1. POSITION AND MAINTAIN OLEO IN AN UPRIGHT POSITION FOR SERVICING. (THE GEAR MUST BE FULLY EXTENDED AND CLEAR OF THE GROUND. A JACK SHOULD BE USED TO STROKE THE OLEO.)
2. BLEED OFF PRESSURE AND REMOVE AIR VALVE FROM CAP.
3. ATTACH HOSE FROM A HAND-PUMP CONTAINING APPROVED MIL-PRF-83282 HYD. FLUID, AND SLOWLY FORCE THE OLEO TO THE COLLAPSED POSITION.
4. OPERATE HAND-PUMP UNTIL OLEO IS FULLY EXTENDED.
5. OPEN PUMP CHECK VALVE AND SLOWLY FORCE OLEO TO COLLAPSED POSITION AS TRAPPED AIR IS EXPELLED INTO HAND-PUMP RESERVOIR.
6. REPEAT STEPS 4 AND 5 A MINIMUM OF FOUR TIMES.
7. WITH OLEO FULLY COMPRESSED REMOVE HOSE AND FITTING FROM HAND-PUMP.
8. KEEP OLEO FULL OF FLUID AND DO NOT DISTURB FROM COMPRESSED POSITION UNTIL AIR VALVE HAS BEEN REPLACED AND TIGHTENED AGAINST GASKET.
9. OPEN AIR VALVE AND CHARGE THE OLEO USING A REGULATED DRY SOURCE OF AIR OR NITROGEN (PREFERRED) TO 325 PSIG ALLOWING STRUT TO EXTEND. (CAUTION: STRUT MAY EXTEND RAPIDLY.)
10. SLOWLY DISCHARGE AIR VALVE TO 240 PSIG REQUIREMENT.
11. SECURE VALVE CAP ON AIR VALVE.

**76**  
**DETAIL C**



**DETAIL A**  
 Left Hand Side Shown,  
 Right Hand Side Opposite

**VENT HOLE**  
**DO NOT PAINT OR**  
**COVER FILTER**

**75**  
**DETAIL B**

U.S. EXTERIOR PLACARDS AND MARKINGS - MAIN LANDING GEAR (MLG)  
 FIGURE 02 (SHEET 2)

6310T1168  
 A6341T1106

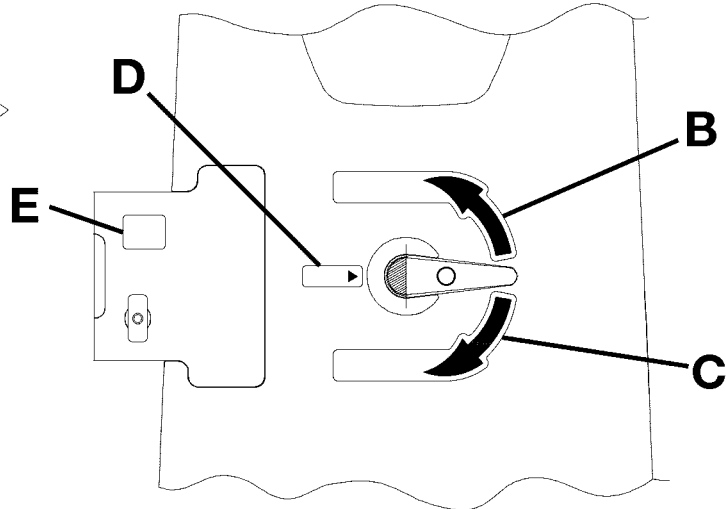
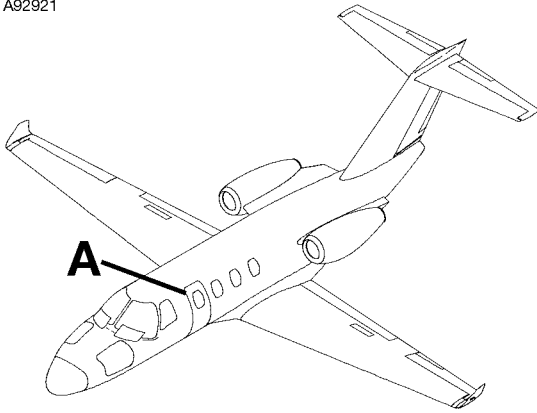
CESSNA®  
**MODEL 525 (SERIALS -0685 AND -0800 AND ON)**  
 ILLUSTRATED PARTS CATALOG

FIG ITEM	PART NUMBER	1 2 3 4 5 6 7	NOMENCLATURE	UNITS
				PER ASSY
02				
75	6340002-10		. PLACARD-OLEO VENT . . . . .	02
76	6340002-38		. PLACARD-OLEO FILLING . . . . .	02
77	6340002-41		. PLACARD-TIRE INFLATION . . . . .	02

- ITEM NOT ILLUSTRATED

CESSNA®  
**MODEL 525 (SERIALS -0685 AND -0800 AND ON)**  
 ILLUSTRATED PARTS CATALOG

A92921



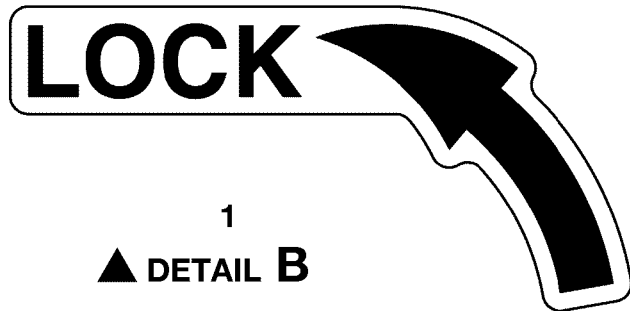
**DETAIL A**

(View Looking Inboard at Entry Door)

**DOOR CATCH  
 RELEASE INSIDE  
 BEHIND THIS  
 PLACARD. RAISE  
 STEPS BEFORE  
 CLOSING DOOR.**

4

**DETAIL E**



1

▲ **DETAIL B**



3

▲ **DETAIL D**



2

▲ **DETAIL C**

▲ Required for Dispatch

6310T1168  
 A6319T1646

U.S. EXTERIOR PLACARDS AND MARKINGS - CABIN DOOR  
 FIGURE 01 (SHEET 1)

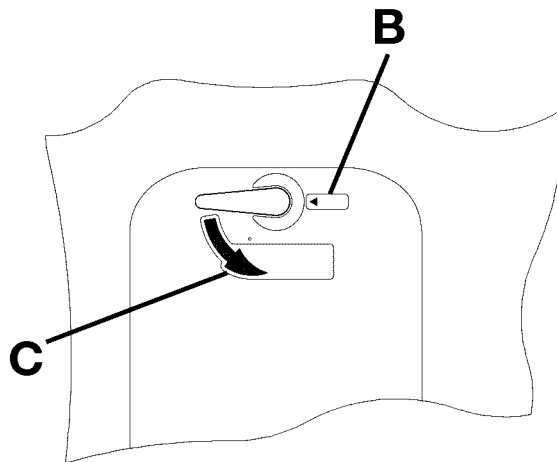
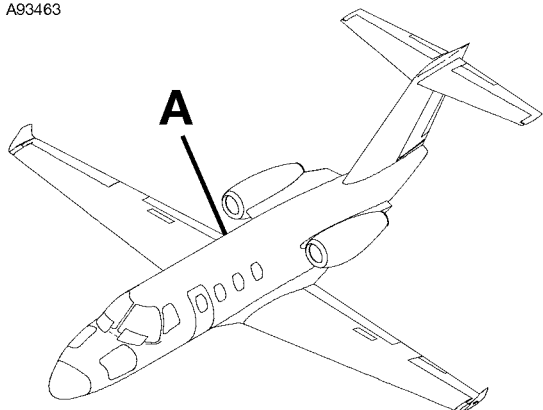
CESSNA®  
**MODEL 525 (SERIALS -0685 AND -0800 AND ON)**  
 ILLUSTRATED PARTS CATALOG

FIG ITEM	PART NUMBER	1 2 3 4 5 6 7	NOMENCLATURE	UNITS PER ASSY
01				
-			U.S. EXTERIOR PLACARDS AND MARKINGS - CABIN DOOR	RF
1	4316002-16		. DECAL-LOCK . . . . .	01
2	4316002-17		. DECAL-OPEN . . . . .	01
3	4316002-15		. DECAL-PUSH . . . . .	01
4	4416000-172		. PLACARD-PRECATCH HANDLE . . . . .	01

- ITEM NOT ILLUSTRATED

CESSNA®  
MODEL 525 (SERIALS -0685 AND -0800 AND ON)  
ILLUSTRATED PARTS CATALOG

A93463



**DETAIL A**  
Looking Inboard at Escape Hatch



2  
▲ **DETAIL B**



1  
▲ **DETAIL C**

▲ Required for Dispatch

6310T1168  
A4711953-2

U.S. EXTERIOR PLACARDS AND MARKINGS - ESCAPE HATCH  
FIGURE 02 (SHEET 1)

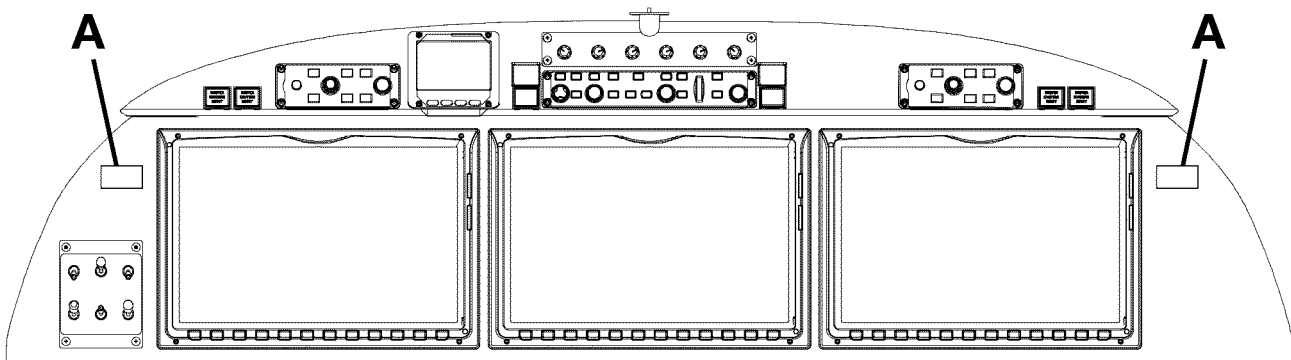
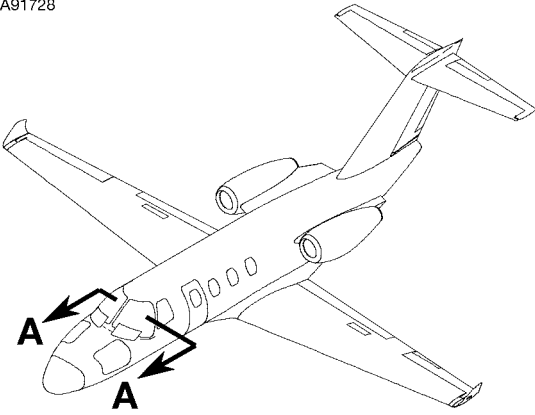
CESSNA®  
**MODEL 525 (SERIALS -0685 AND -0800 AND ON)**  
 ILLUSTRATED PARTS CATALOG

FIG ITEM	PART NUMBER	NOMENCLATURE							UNITS PER ASSY
		1	2	3	4	5	6	7	
02		U.S. EXTERIOR PLACARDS AND MARKINGS - ESCAPE HATCH							RF
-									
1	4316002-1	. DECAL-EMERGENCY EXIT (OPEN ) . . . . .							01
2	4316002-2	. DECAL-EMERGENCY EXIT (PUSH) . . . . .							01

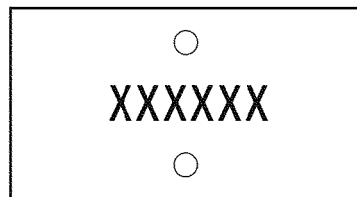
- ITEM NOT ILLUSTRATED

CESSNA®  
MODEL 525 (SERIALS -0685 AND -0800 AND ON)  
ILLUSTRATED PARTS CATALOG

A91728



VIEW A-A



1

DETAIL A

6310T1168  
A6319T1626  
AA6319T1626

U.S. INTERIOR PLACARDS AND MARKINGS - INSTRUMENT PANEL  
FIGURE 01 (SHEET 1)



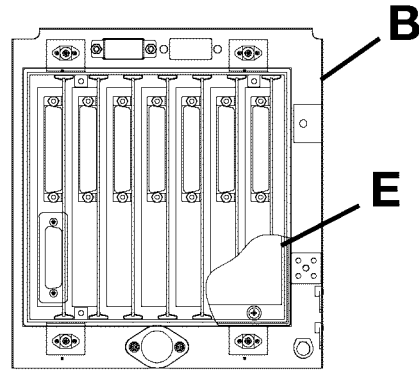
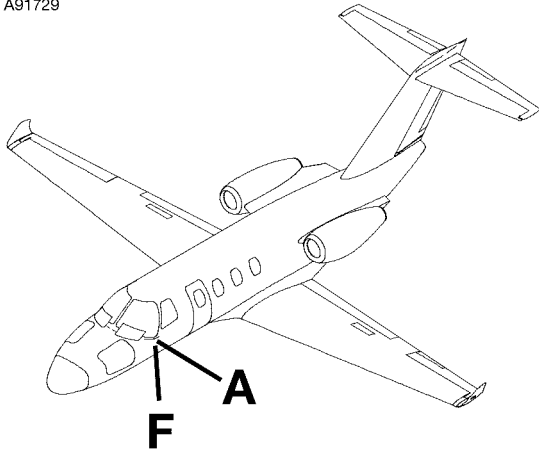
CESSNA®  
**MODEL 525 (SERIALS -0685 AND -0800 AND ON)**  
 ILLUSTRATED PARTS CATALOG

FIG ITEM	PART NUMBER	NOMENCLATURE	UNITS PER ASSY
	1 2 3 4 5 6 7		
01		U.S. INTERIOR PLACARDS AND MARKINGS - INSTRUMENT PANEL	RF
-		. PLACARD-RADIO CALL .....	02
1	5119404-2		

- ITEM NOT ILLUSTRATED

CESSNA®  
**MODEL 525 (SERIALS -0685 AND -0800 AND ON)**  
 ILLUSTRATED PARTS CATALOG

A91729



**DETAIL A**

JC091	JC092	JC093	JC094	JC095	JC096	JC097	JC098
-------	-------	-------	-------	-------	-------	-------	-------

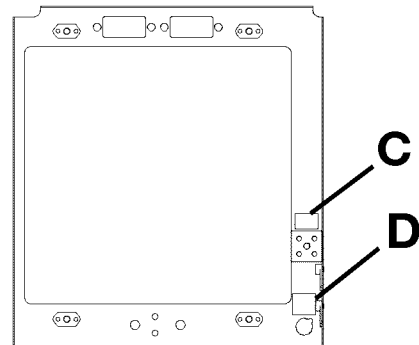
5

**DETAIL H**

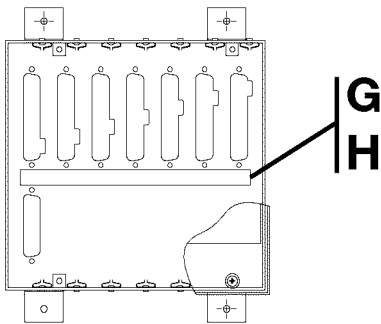
JC097	JC096	JC095	JC094	JC093	JC092	JC091
JC098						

4

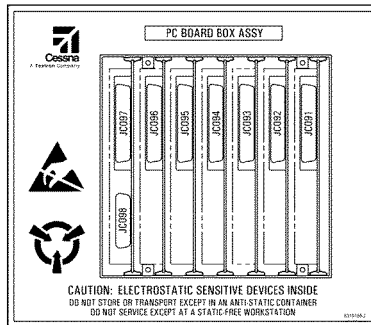
**DETAIL G**



**DETAIL B**



**DETAIL F**



3

**DETAIL E**

ESD  
GROUND

2

**DETAIL C**

DATA  
LOGGER  
POWER

1

**DETAIL D**

U.S. INTERIOR PLACARDS AND MARKINGS - PC BOARD  
 FIGURE 02 (SHEET 1)

6310T1001  
 A6318T1386  
 B6318T1387  
 F6318T1385

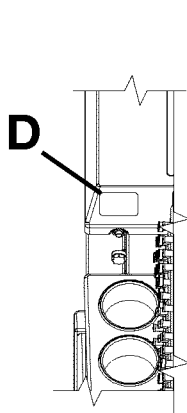
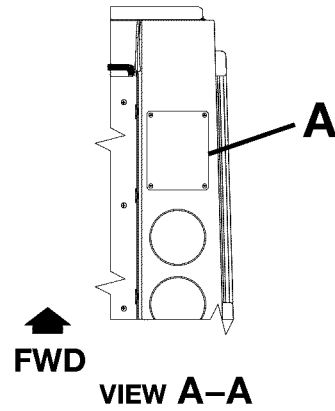
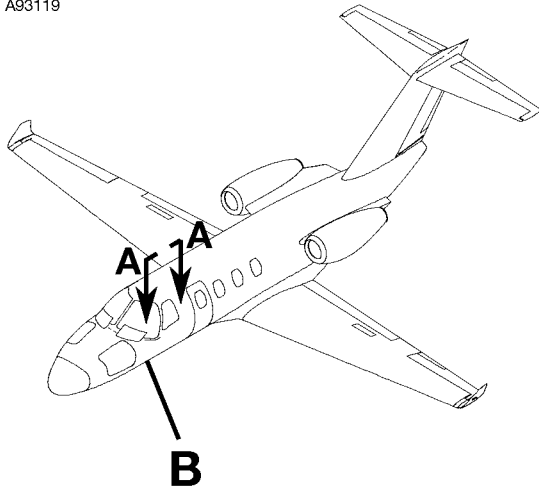
CESSNA®  
**MODEL 525 (SERIALS -0685 AND -0800 AND ON)**  
 ILLUSTRATED PARTS CATALOG

FIG ITEM	PART NUMBER	1 2 3 4 5 6 7	NOMENCLATURE	UNITS
				PER ASSY
02				
-			U.S. INTERIOR PLACARDS AND MARKINGS - PC BOARD	RF
1	6518327-13		. DECAL-DATA LOGGER POWER . . . . .	01
2	6518327-12		. DECAL-ESD GROUND . . . . .	01
3	6318188-2		. PLACARD-PC BOARD BOX ASSY . . . . .	01
4	6318188-4		. PLACARD-RELAY BOX . . . . .	01
5	6318188-5		. PLACARD-RELAY BOX . . . . .	01

- ITEM NOT ILLUSTRATED

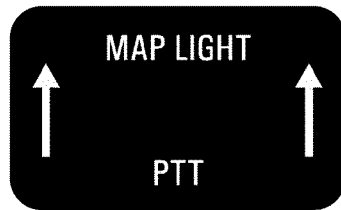
CESSNA®  
**MODEL 525 (SERIALS -0685 AND -0800 AND ON)**  
 ILLUSTRATED PARTS CATALOG

A93119

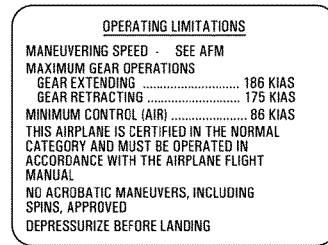


**VIEW C-C**

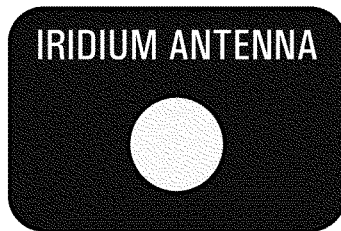
View Looking at Left Hand Side Console



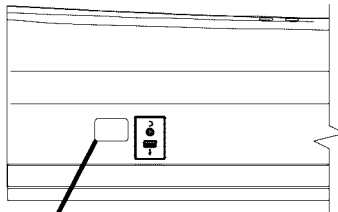
**3  
 DETAIL D**



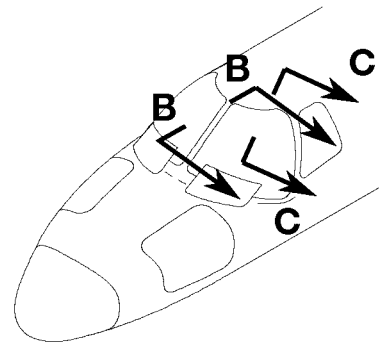
**1  
 DETAIL A**



**2  
 DETAIL C**



**C  
 VIEW B-B**



**DETAIL B**

6310T1168  
 B6310T1168  
 AA6310T1182  
 BB6310T1183  
 CC6310T1184

U.S. INTERIOR PLACARDS AND MARKINGS - LH CONSOLE  
 FIGURE 04 (SHEET 1)

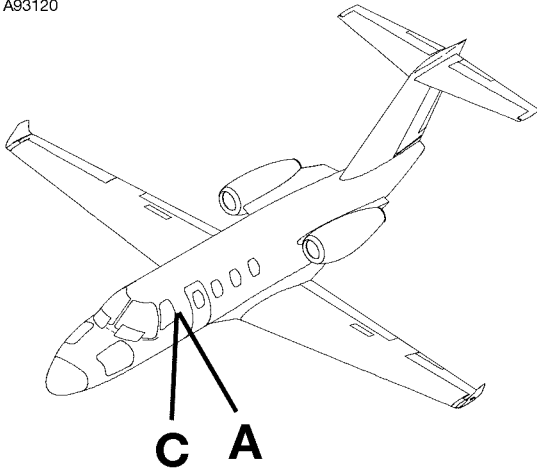
CESSNA®  
**MODEL 525 (SERIALS -0685 AND -0800 AND ON)**  
 ILLUSTRATED PARTS CATALOG

FIG ITEM	PART NUMBER	1 2 3 4 5 6 7	NOMENCLATURE	UNITS PER ASSY
04			U.S. INTERIOR PLACARDS AND MARKINGS - LH CONSOLE	RF
-				
1	6301000-12		. PLACARD-SPEED AND OPERATIONS .....	01 R
2	4316002-35		. PLACARD-IRIDIUM ANTENNA .....	01 R
3	4316002-38		. PLACARD-MAP LIGHT .....	02 R

- ITEM NOT ILLUSTRATED

CESSNA®  
**MODEL 525 (SERIALS -0685 AND -0800 AND ON)**  
 ILLUSTRATED PARTS CATALOG

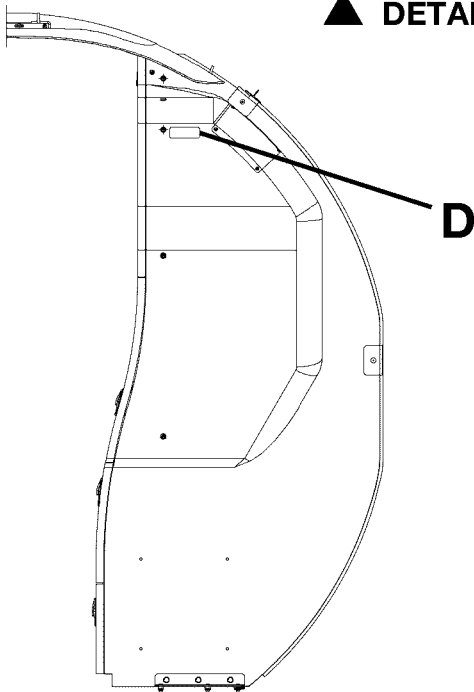
A93120



STOW CURTAIN FOR  
 TAXI, TAKEOFF, AND LANDING.

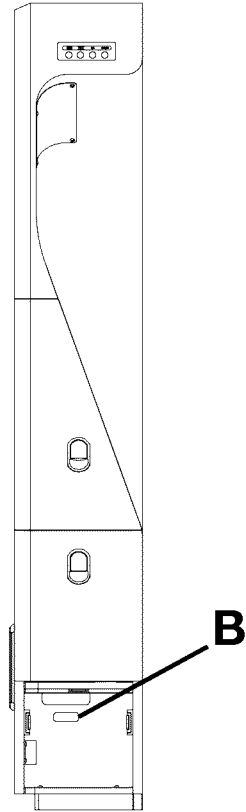
2

▲ **DETAIL D**



**DETAIL C**

Looking Aft at Left Hand Cabinet Assembly



**DETAIL A**

CABIN BRIEFER  
 PROGRAM LOAD PORT

1

**DETAIL B**

▲ Required for Dispatch

U.S. INTERIOR PLACARDS AND MARKINGS - FLIGHT COMPARTMENT  
 FIGURE 05 (SHEET 1)

6310T1168  
 A471T1953  
 C471T1953

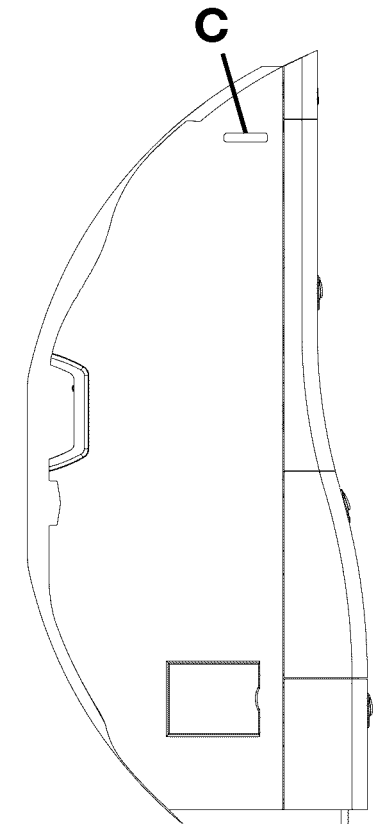
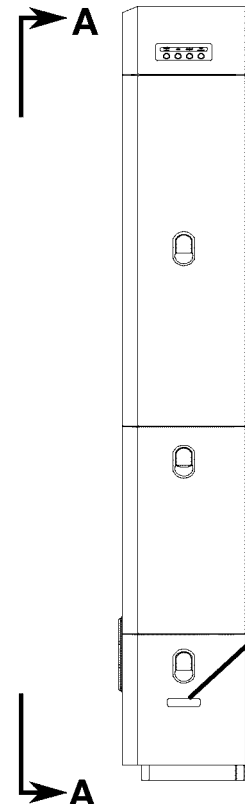
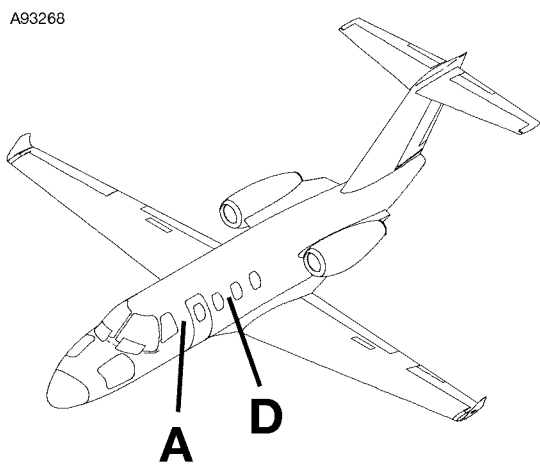
CESSNA®  
**MODEL 525 (SERIALS -0685 AND -0800 AND ON)**  
 ILLUSTRATED PARTS CATALOG

FIG ITEM	PART NUMBER	NOMENCLATURE							UNITS PER ASSY
		1	2	3	4	5	6	7	
05		U.S. INTERIOR PLACARDS AND MARKINGS - FLIGHT COMPARTMENT							RF
-		. PLACARD-CABIN BRIEFER PORT . . . . .							01
1	4316002-40	. PLACARD-CURTAIN STOWAGE . . . . .							01
2	4316002-8								

- ITEM NOT ILLUSTRATED

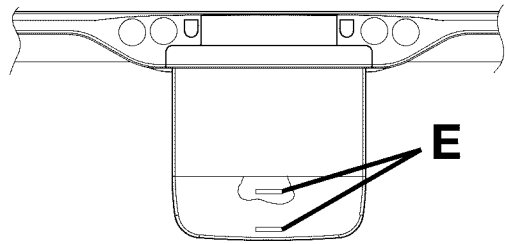
CESSNA®  
**MODEL 525 (SERIALS -0685 AND -0800 AND ON)**  
 ILLUSTRATED PARTS CATALOG

A93268



**STOW FOR TAXI, TAKEOFF, AND LANDING.**

1  
 ▲ **DETAIL E**



**DETAIL D**

Looking Down on Right Hand Side Deployed Table,  
 Left Hand Side Opposite

**DETAIL A**

**VIEW A-A**

**CLOSE ALL CABINET DOORS AND DRAWERS  
 FOR TAXI, TAKEOFF, AND LANDING.**

3  
 ▲ **DETAIL C**

**NO CIGARETTE DISPOSAL;  
 METAL TRASH LINER REQUIRED.**

2  
 ▲ **DETAIL B**

▲ Required for Dispatch

6310T1168  
 A6320T1021  
 AA6320T1021  
 D6320T1021

U.S. INTERIOR PLACARDS AND MARKINGS - FORWARD CABIN  
 FIGURE 01 (SHEET 1)



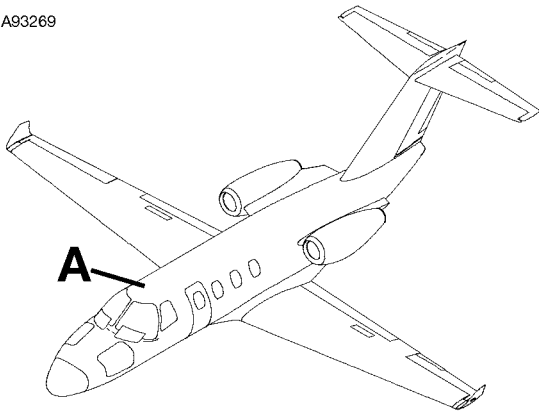
CESSNA®  
**MODEL 525 (SERIALS -0685 AND -0800 AND ON)**  
 ILLUSTRATED PARTS CATALOG

FIG ITEM	PART NUMBER	1 2 3 4 5 6 7	NOMENCLATURE	UNITS PER ASSY
01			U.S. INTERIOR PLACARDS AND MARKINGS - FORWARD CABIN	RF
-				
1	4316002-200		. PLACARD-TABLE STOWAGE . . . . .	04
2	4316002-20		. PLACARD-TRASH CONTAINER . . . . .	01
3	4316002-23		. PLACARD-CABINET DOOR INSTRUCTIONS . . . . .	01

- ITEM NOT ILLUSTRATED

CESSNA®  
**MODEL 525 (SERIALS -0685 AND -0800 AND ON)**  
 ILLUSTRATED PARTS CATALOG

A93269



**FASTEN SHOULDER HARNESS FOR TAXI, TAKEOFF, AND LANDING.**

76

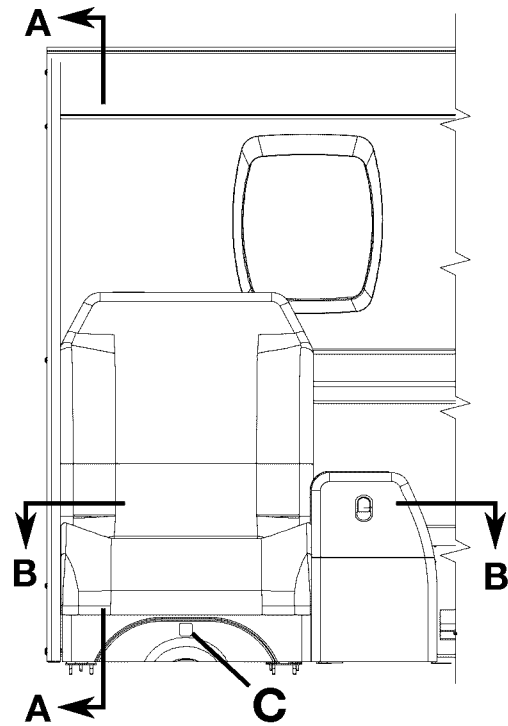
▲ **DETAIL B**

**FASTEN SHOULDER HARNESS FOR TAXI, TAKEOFF, AND LANDING**

**LIFE VEST IN SEAT BASE.**

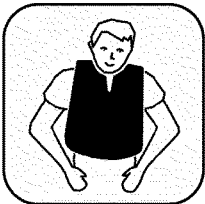
75

▲ **DETAIL B**



**DETAIL A**

Looking Outboard at Side Facing Seat



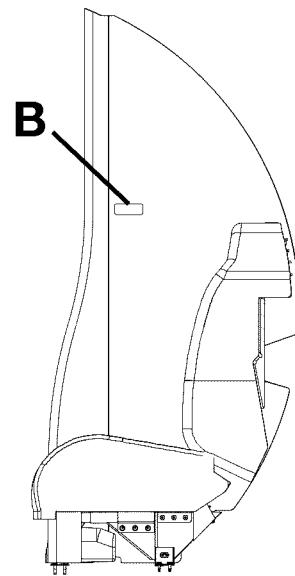
79

▲ **DETAIL C**

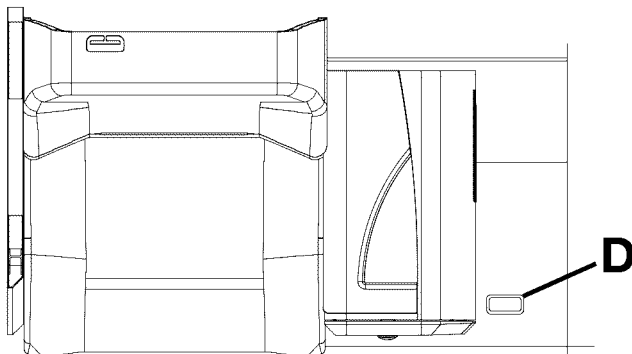
**AIR INLET  
DO NOT BLOCK.**

77

**DETAIL D**



**VIEW A-A**



**VIEW B-B**

▲ **Required for Dispatch**

**U.S. INTERIOR PLACARDS AND MARKINGS - FORWARD CABIN  
 FIGURE 01 (SHEET 2)**

6310T1168  
 A6320T1021  
 AA6320T1021  
 BB6320T1021

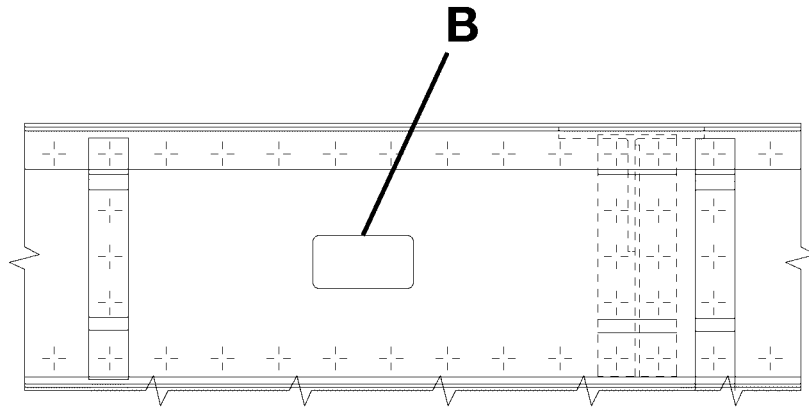
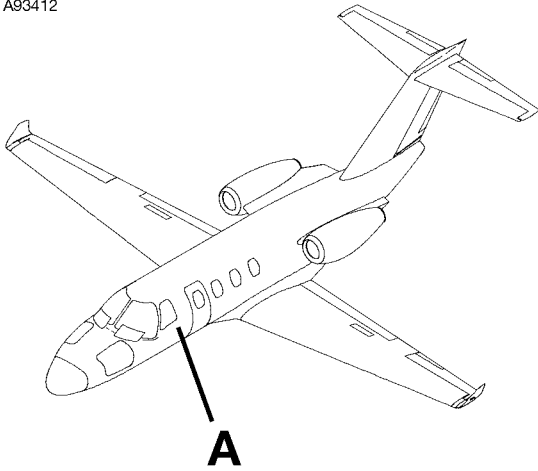
CESSNA®  
**MODEL 525 (SERIALS -0685 AND -0800 AND ON)**  
 ILLUSTRATED PARTS CATALOG

FIG ITEM	PART NUMBER	NOMENCLATURE	UNITS PER ASSY
	1 2 3 4 5 6 7		
01			
75	4316002-21	. PLACARD-SIDE FACING SEAT INSTRUCTIONS . . . . .	01 R
76	4316002-44	. PLACARD-SIDE FACING SEAT INSTRUCTIONS W/O ARMREST . . . . .	01 R
77	4316002-24	. PLACARD-AIR INLET . . . . .	01 R
- 78	4717018-3	. PLACARD-COVER . . . . .	01 R
79	4316002-32	. PLACARD-SIDE FACING SEAT LIFEVEST . . . . .	01 R

- ITEM NOT ILLUSTRATED

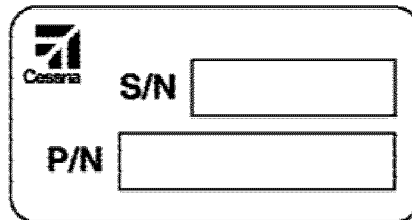
CESSNA®  
**MODEL 525 (SERIALS -0685 AND -0800 AND ON)**  
ILLUSTRATED PARTS CATALOG

A93412



**DETAIL A**

View Looking Outboard at Right Hand Side  
Inboard Dropped Aisle



150

**DETAIL B**

6310T1168  
A6312T1280

U.S. INTERIOR PLACARDS AND MARKINGS - FORWARD CABIN  
FIGURE 01 (SHEET 3)

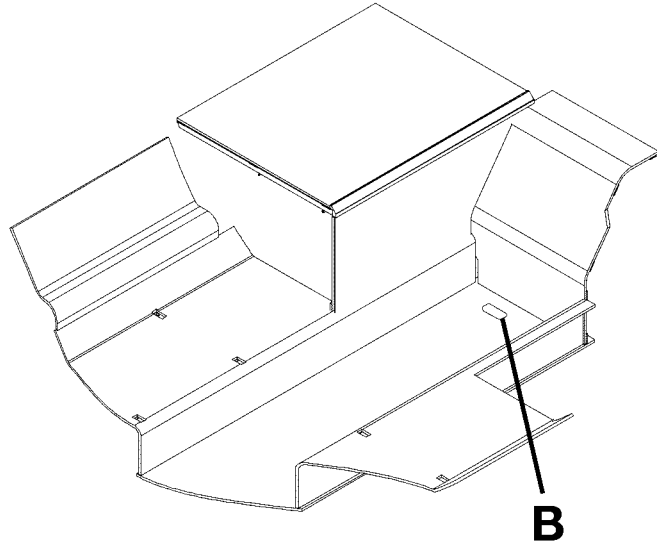
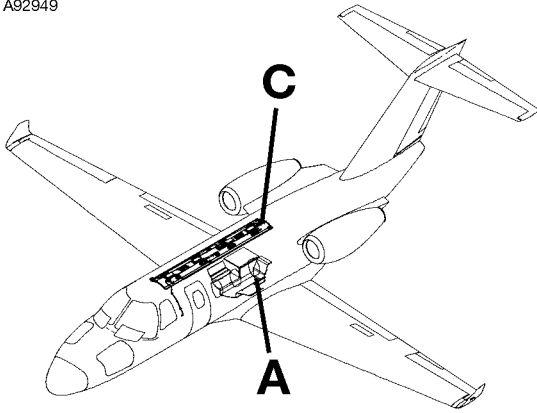
CESSNA®  
**MODEL 525 (SERIALS -0685 AND -0800 AND ON)**  
 ILLUSTRATED PARTS CATALOG

FIG ITEM	PART NUMBER	1 2 3 4 5 6 7	NOMENCLATURE	UNITS PER ASSY
01 150	6940002-8		. PLACARD-LIFE LIMITS ID. . . . .	01

- ITEM NOT ILLUSTRATED

CESSNA®  
**MODEL 525 (SERIALS -0685 AND -0800 AND ON)**  
 ILLUSTRATED PARTS CATALOG

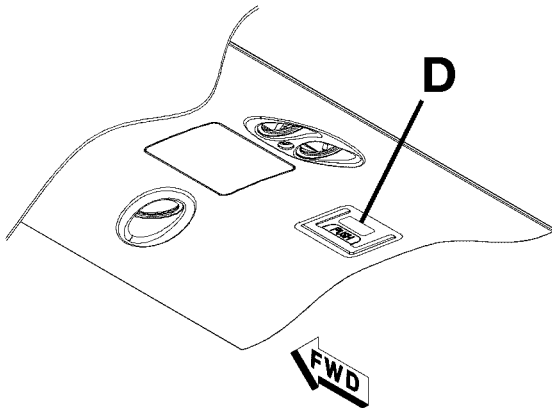
A92949



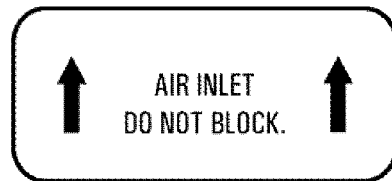
3

▲ **DETAIL D**

**DETAIL A**



**DETAIL C**



1

**DETAIL B**

▲ Required for Dispatch

6310T1168  
 A6312T1217  
 C6312T1218

U.S. INTERIOR PLACARDS AND MARKINGS - AFT CABIN  
 FIGURE 02 (SHEET 1)

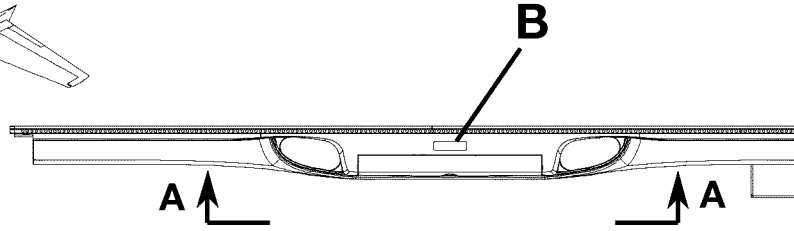
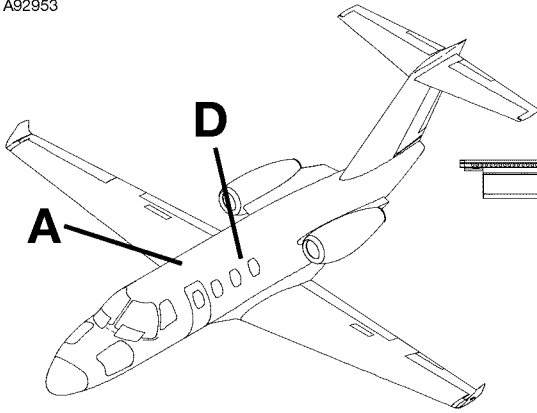
CESSNA®  
**MODEL 525 (SERIALS -0685 AND -0800 AND ON)**  
 ILLUSTRATED PARTS CATALOG

FIG ITEM	PART NUMBER	1 2 3 4 5 6 7	NOMENCLATURE	UNITS PER ASSY
02				
-			U.S. INTERIOR PLACARDS AND MARKINGS - AFT CABIN	RF
1	4316002-24		. PLACARD-AIR INLET . . . . .	01
2	4717018-3		. PLACARD-COVER . . . . .	01
3	4316002-34		. PLACARD-COAT ROD . . . . .	01

- ITEM NOT ILLUSTRATED

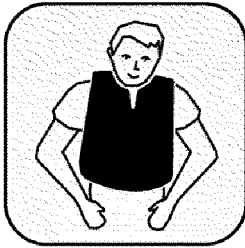
CESSNA®  
**MODEL 525 (SERIALS -0685 AND -0800 AND ON)**  
 ILLUSTRATED PARTS CATALOG

A92953



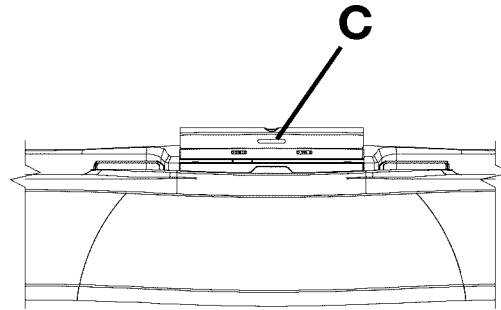
**DETAIL A**

Looking Down on Right Hand Sideledge



4

▲ **DETAIL E**



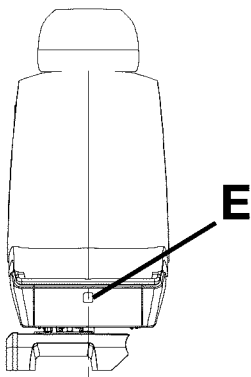
**VIEW A-A**

Table Lid Shown in Upright Position

**FOR TAXI, TAKEOFF, AND LANDING: RAISE SEAT BACK; EXTEND HEADREST; TRACK SEAT TOWARD FRONT OF AIRCRAFT THEN OUTBOARD; FASTEN SHOULDER HARNESS.**

1

▲ **DETAIL B**



**DETAIL D**

**CLOSE LID FOR TAXI, TAKEOFF, AND LANDING.**

3

▲ **DETAIL C**

▲ Required for Dispatch

6310T1168  
 A6319T1647  
 AA6319T1647  
 D6319T1648

U.S. INTERIOR PLACARDS AND MARKINGS - CABIN SEATS  
 FIGURE 04 (SHEET 1)



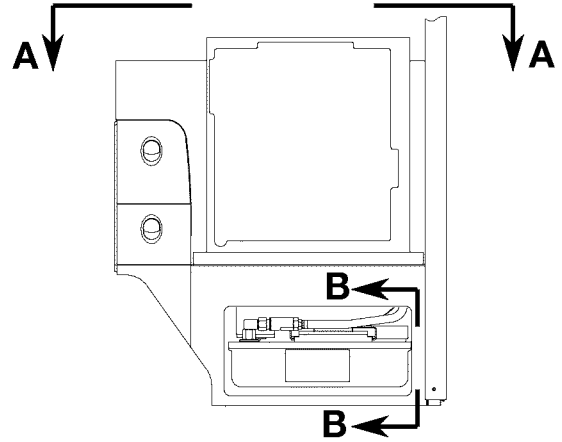
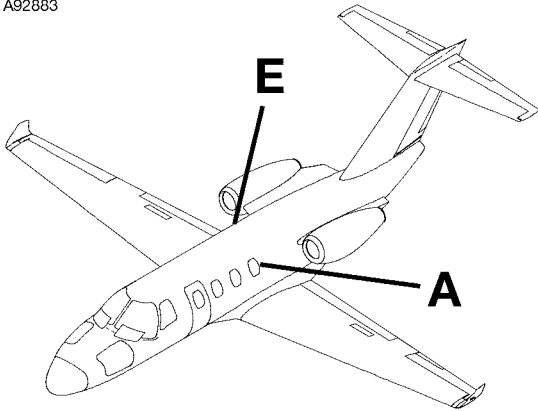
CESSNA®  
**MODEL 525 (SERIALS -0685 AND -0800 AND ON)**  
 ILLUSTRATED PARTS CATALOG

FIG ITEM	PART NUMBER	NOMENCLATURE	UNITS PER ASSY		
			1	2	3
04					
-		U.S. INTERIOR PLACARDS AND MARKINGS - CABIN SEATS			RF
1	4316002-39	. PLACARD-SEAT INSTRUCTIONS FSO 43616002-46 . . . . .	0800	0815	NP R
- 1A	4316002-46	. PLACARD-SEAT INSTRUCTIONS . . . . .	0816	& ON	02 R
- 2	4316002-22	. PLACARD-SEAT INSTRUCTIONS OPTIONAL FSO 4316002-47 . . . . .	0800	0815	NP R
- 2A	4316002-47	. PLACARD-SEAT INSTRUCTIONS OPTIONAL . . . . .	0816	& ON	02 R
3	4316002-28	. PLACARD-TABLE LID INSTRUCTIONS . . . . .			02
4	4316002-32	. PLACARD-LIFEVEST . . . . .			04

- ITEM NOT ILLUSTRATED

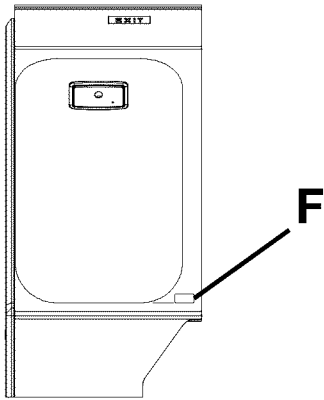
CESSNA®  
**MODEL 525 (SERIALS -0685 AND -0800 AND ON)**  
 ILLUSTRATED PARTS CATALOG

A92883



**DETAIL A**

View Looking Outboard



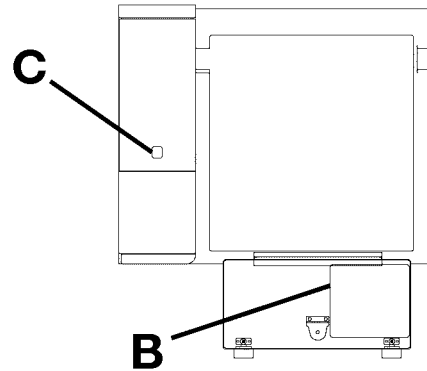
**DETAIL E**

View Looking Outboard



4

▲ **DETAIL F**

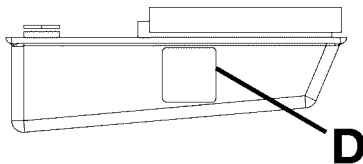


**VIEW A-A**

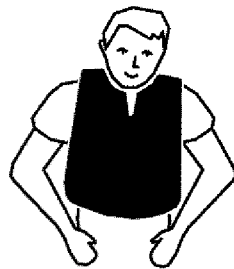
TOILET CHEMICAL  
 IS CORROSIVE.  
 USE EXTREME CARE  
 TO PREVENT SPILLAGE.  
 FOLLOW SERVICING  
 INSTRUCTIONS CAREFULLY.  
 CLEAN ANY SPILLAGE  
 IMMEDIATELY AND  
 REPORT IT TO THE CREW.

1

**DETAIL D**

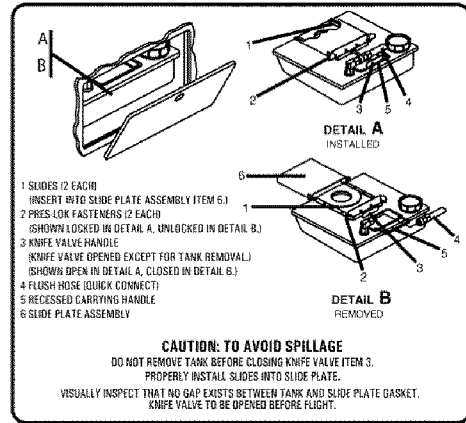


**VIEW B-B**



3

▲ **DETAIL C**



2

**DETAIL B**

6310T1168  
 A6319T1360  
 AA6319T1361  
 BB6319T1360  
 E6314T1662

▲ Required for Dispatch

U.S. INTERIOR PLACARDS AND MARKINGS - LAVATORY  
 FIGURE 01 (SHEET 1)

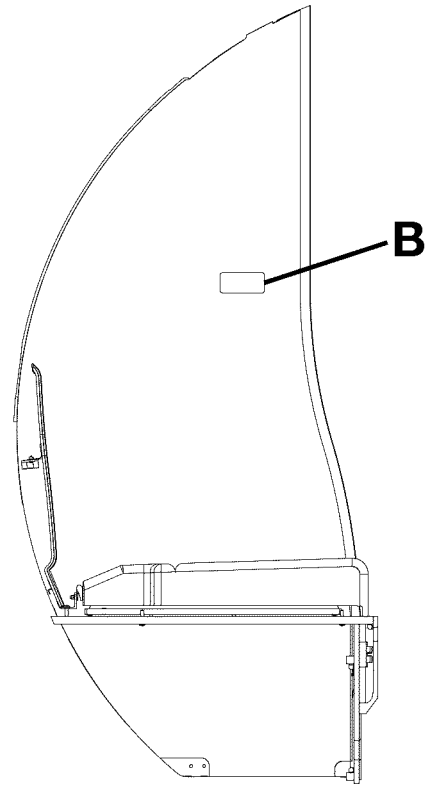
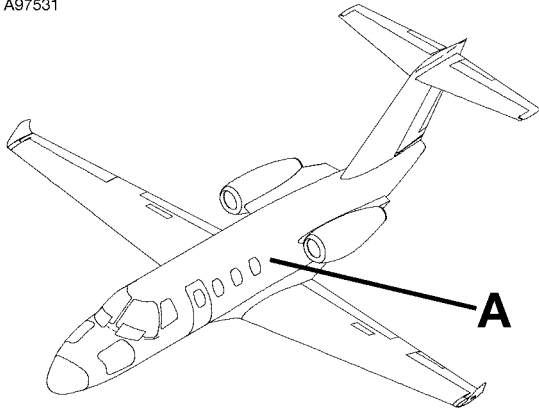
CESSNA®  
**MODEL 525 (SERIALS -0685 AND -0800 AND ON)**  
 ILLUSTRATED PARTS CATALOG

FIG ITEM	PART NUMBER	1 2 3 4 5 6 7	NOMENCLATURE	UNITS PER ASSY
01				
-			U.S. INTERIOR PLACARDS AND MARKINGS - LAVATORY	RF
1	4316002-30		. PLACARD-TOILET CARE . . . . .	01
2	4316002-36		. PLACARD-TOILET SERVICING . . . . .	01
3	4316002-32		. PLACARD-LIFEVEST . . . . .	01
4	4316002-33		. PLACARD-NO SMOKING . . . . .	01

- ITEM NOT ILLUSTRATED

CESSNA®  
**MODEL 525 (SERIALS -0685 AND -0800 AND ON)**  
ILLUSTRATED PARTS CATALOG

A97531



FOR TAXI, TAKEOFF, AND LANDING:  
STOW CURTAIN;  
CLOSE ALL CABINET DOORS AND DRAWERS;  
FASTEN SHOULDER HARNESS.

**77**  
**DETAIL B**

**DETAIL A**

View Looking Forward

FOR TAXI, TAKEOFF, AND LANDING:  
LATCH SLIDING DOOR OPEN;  
CLOSE ALL CABINET DOORS AND DRAWERS;  
FASTEN SHOULDER HARNESS.

**76**  
**DETAIL B**

FOR TAXI, TAKEOFF, AND LANDING:  
LATCH SLIDING DOOR OPEN;  
CLOSE ALL CABINET DOORS AND DRAWERS;  
FASTEN SHOULDER HARNESS.

LIFE VEST IN SEAT CABINET.

**75**  
**DETAIL B**

6310T1168  
A4711T953-31

U.S. INTERIOR PLACARDS AND MARKINGS - LAVATORY  
FIGURE 01 (SHEET 2)

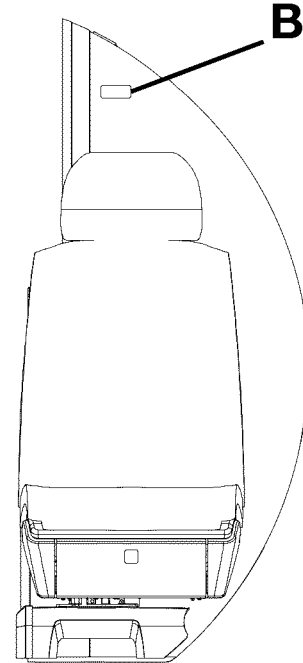
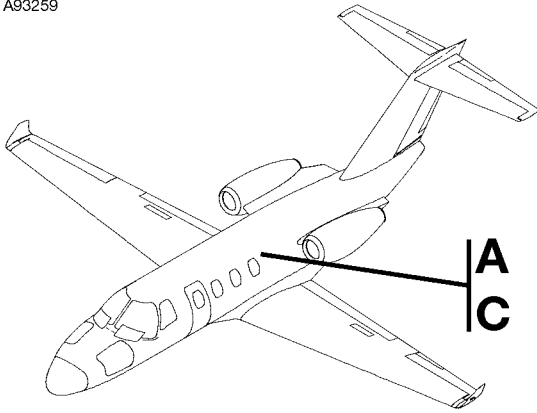
CESSNA®  
**MODEL 525 (SERIALS -0685 AND -0800 AND ON)**  
 ILLUSTRATED PARTS CATALOG

FIG ITEM	PART NUMBER	NOMENCLATURE	UNITS PER ASSY
	1 2 3 4 5 6 7		
01			
75	4316002-42	. PLACARD-LH BELTED TOILET INSTRUCTIONS (DOOR) . . . . .	01 R
76	4316002-43	. PLACARD-LH BELTED TOILET INSTRUCTIONS (DOOR) W/O LIFE VEST . . . . .	01 R
77	4316002-45	. PLACARD-LH BELTED TOILET INSTRUCTIONS (CURTAIN) . . . . .	01 R

- ITEM NOT ILLUSTRATED

CESSNA®  
**MODEL 525 (SERIALS -0685 AND -0800 AND ON)**  
 ILLUSTRATED PARTS CATALOG

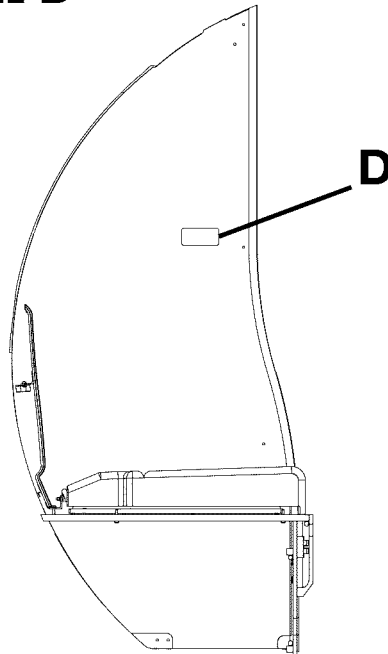
A93259



**FOR TAXI, TAKEOFF, AND LANDING:  
 STOW CURTAIN;  
 CLOSE ALL CABINET DOORS AND DRAWERS;  
 FASTEN SHOULDER HARNESS.  
 LIFE VEST IN SEAT CABINET.**

**3**  
 ▲ **DETAIL D**

**DETAIL A**  
 Looking Aft



**NO SMOKING IN LAVATORY.  
 STOW CURTAIN  
 FOR TAXI, TAKEOFF, AND LANDING.**

**1**  
 ▲ **DETAIL B**

**NO SMOKING IN LAVATORY.  
 LATCH SLIDING DOOR OPEN  
 FOR TAXI, TAKEOFF, AND LANDING.**

**2**  
 ▲ **DETAIL B**

**DETAIL C**  
 Looking Forward

▲ Required for Dispatch

6310T1168  
 A6319T1649  
 C6319T1650

U.S. INTERIOR PLACARDS AND MARKINGS - DIVIDERS  
 FIGURE 02 (SHEET 1)

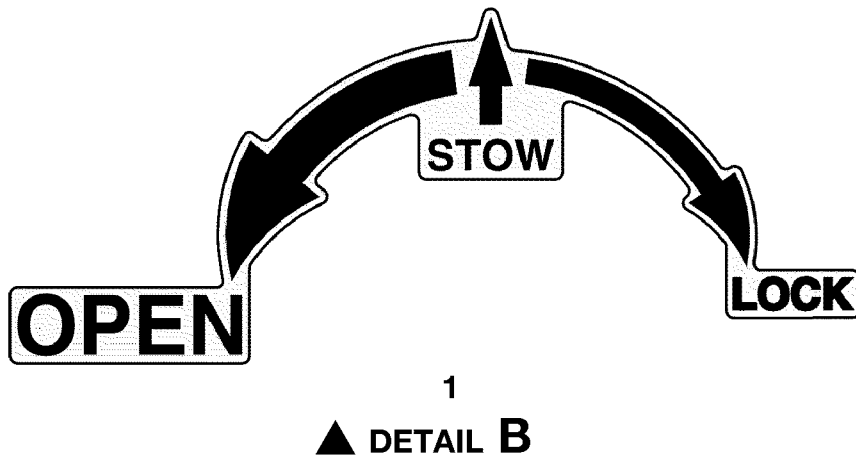
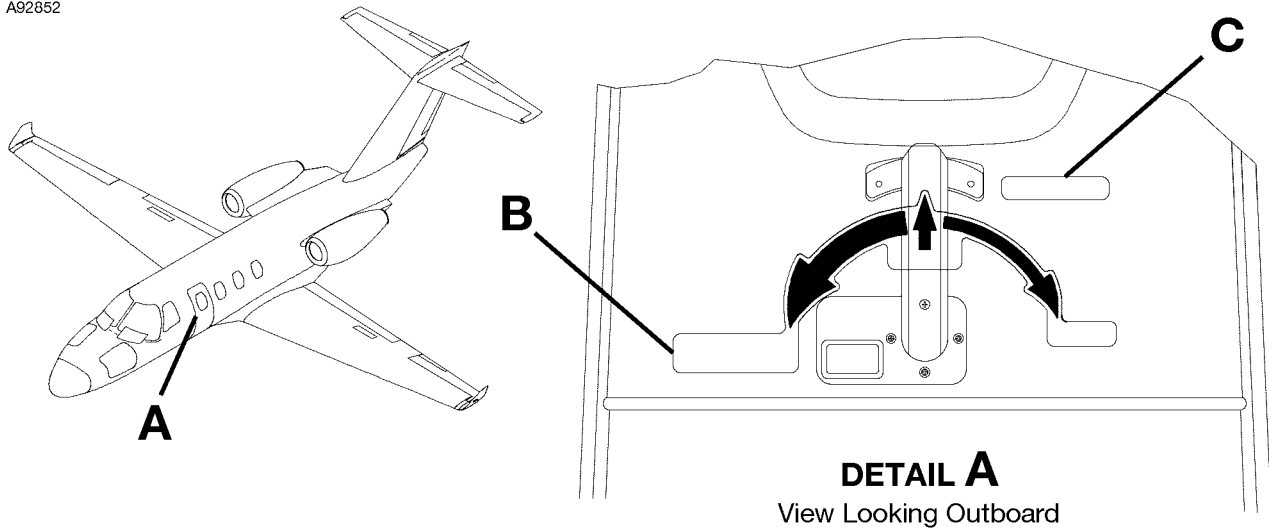
CESSNA®  
**MODEL 525 (SERIALS -0685 AND -0800 AND ON)**  
 ILLUSTRATED PARTS CATALOG

FIG ITEM	PART NUMBER	1 2 3 4 5 6 7	NOMENCLATURE	UNITS PER ASSY
02			U.S. INTERIOR PLACARDS AND MARKINGS - DIVIDERS	RF
-				
1	4316002-25		. PLACARD-AFT CABIN INSTRUCTIONS (CURTAIN) . . . . .	01
2	4316002-41		. PLACARD-AFT CABIN INSTRUCTIONS (DOOR) . . . . .	01 R
3	4316002-29		. PLACARD-AFT CABIN INSTRUCTIONS . . . . .	01 R

- ITEM NOT ILLUSTRATED

CESSNA®  
MODEL 525 (SERIALS -0685 AND -0800 AND ON)  
ILLUSTRATED PARTS CATALOG

A92852



**TO RELEASE: PUSH BUTTON,  
PULL TRIGGER ON HANDLE.**

2  
▲ DETAIL C

▲ Required for Dispatch

6310T1168  
A6319T1645

U.S. INTERIOR PLACARDS AND MARKINGS - CABIN DOOR  
FIGURE 01 (SHEET 1)



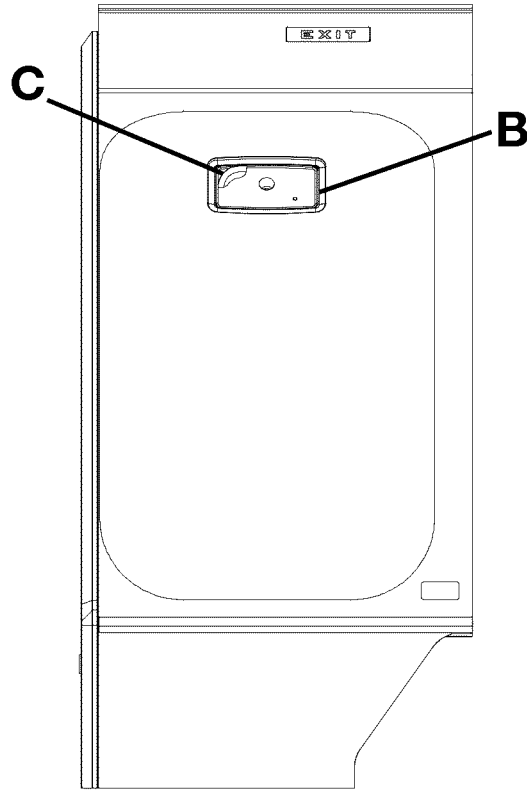
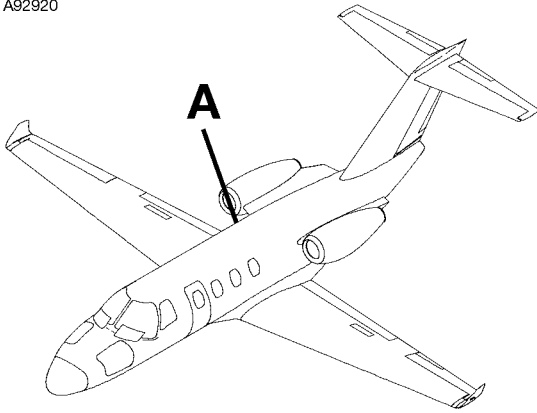
CESSNA®  
**MODEL 525 (SERIALS -0685 AND -0800 AND ON)**  
 ILLUSTRATED PARTS CATALOG

FIG ITEM	PART NUMBER	1 2 3 4 5 6 7	NOMENCLATURE	UNITS PER ASSY
01				
-			U.S. INTERIOR PLACARDS AND MARKINGS - CABIN DOOR	RF
1	4316002-18		. DECAL-HANDLE OPERATION . . . . .	01
2	4316002-19		. DECAL-PUSH BUTTON . . . . .	01

- ITEM NOT ILLUSTRATED

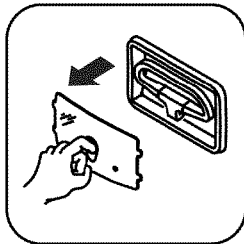
CESSNA®  
**MODEL 525 (SERIALS -0685 AND -0800 AND ON)**  
 ILLUSTRATED PARTS CATALOG

A92920



1

▲ **DETAIL E**



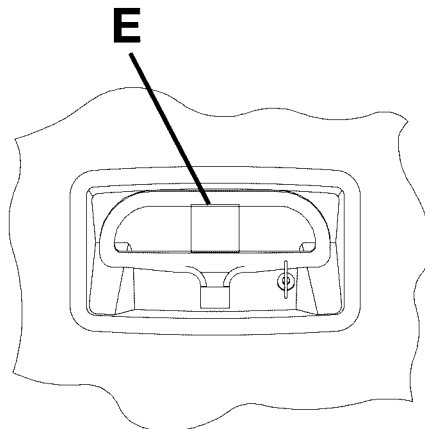
2

▲ **DETAIL D**

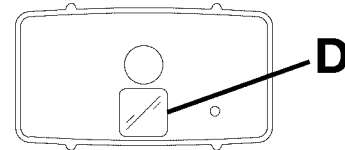
◀ **FWD**

**DETAIL A**

View Looking Outboard



**DETAIL C**



**DETAIL B**

▲ Required for Dispatch

6310T1168  
 A6310T1180  
 B6310T1180  
 C6310T1180

U.S. INTERIOR PLACARDS AND MARKINGS - ESCAPE HATCH  
 FIGURE 02 (SHEET 1)

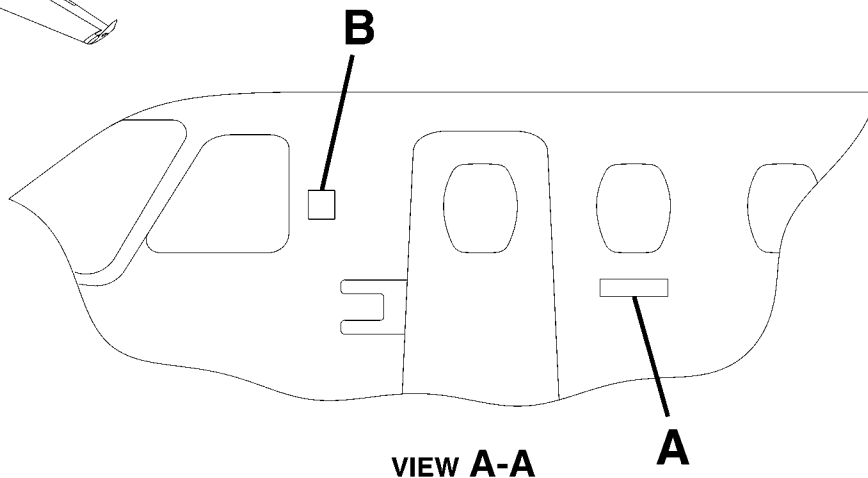
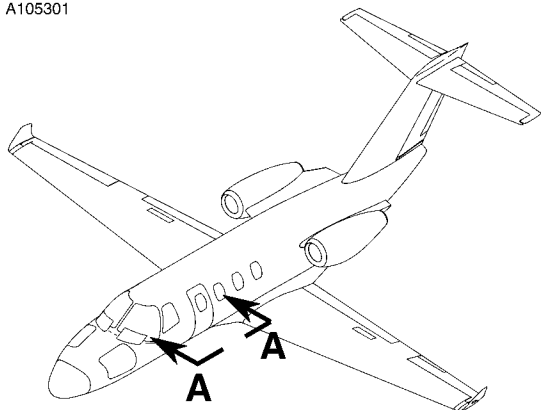
CESSNA®  
**MODEL 525 (SERIALS -0685 AND -0800 AND ON)**  
 ILLUSTRATED PARTS CATALOG

FIG ITEM	PART NUMBER	1 2 3 4 5 6 7	NOMENCLATURE	UNITS PER ASSY
02				
-			U.S. INTERIOR PLACARDS AND MARKINGS - ESCAPE HATCH	RF
1	4316002-27		. PLACARD-ESCAPE HATCH HANDLE INSTRUCTIONS . . . . .	01
2	4316002-26		. PLACARD-ESCAPE HATCH COVER INSTRUCTIONS . . . . .	01

- ITEM NOT ILLUSTRATED

CESSNA®  
MODEL 525 (SERIALS -0685 AND -0800 AND ON)  
ILLUSTRATED PARTS CATALOG

A105301



3  
DETAIL B

CITATION  
M2

1  
DETAIL A

6310T1168  
AA6314T1174

CZECH EXTERIOR PLACARDS AND MARKINGS - FUSELAGE  
FIGURE 02 (SHEET 1)

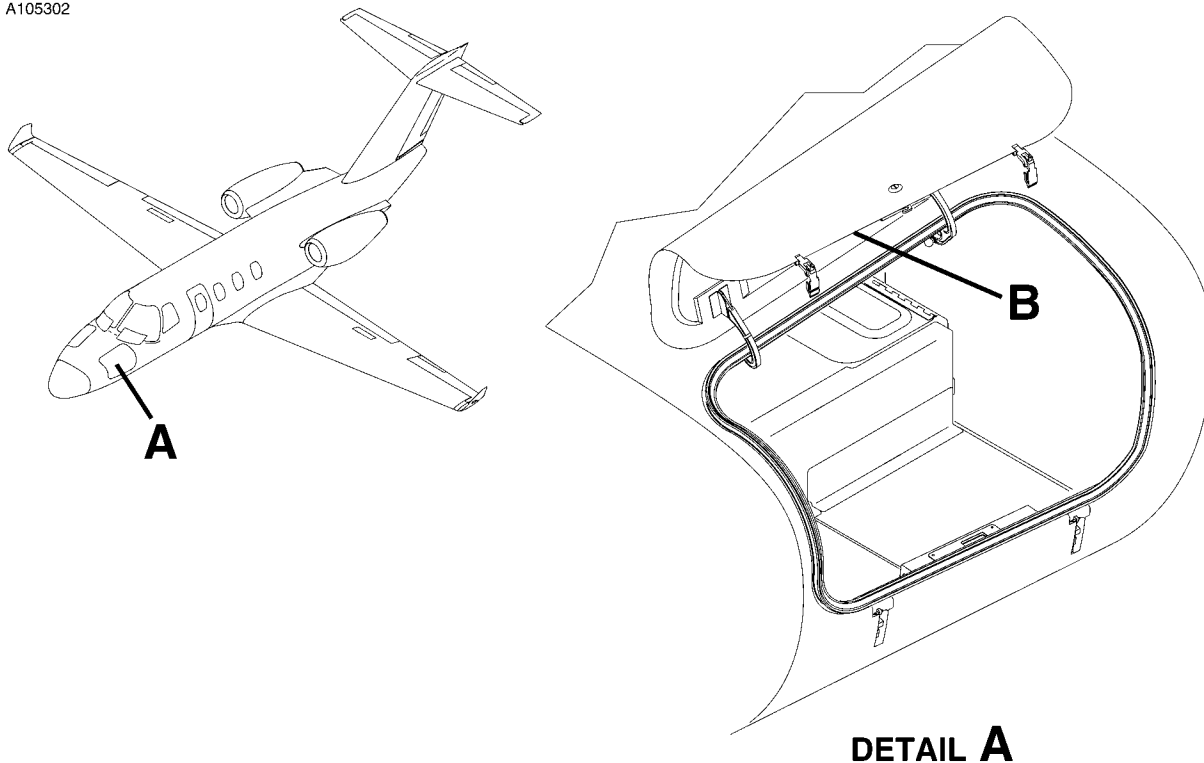
CESSNA®  
**MODEL 525 (SERIALS -0685 AND -0800 AND ON)**  
 ILLUSTRATED PARTS CATALOG

FIG ITEM	PART NUMBER	1 2 3 4 5 6 7	NOMENCLATURE	UNITS PER ASSY
02				
-			CZECH EXTERIOR PLACARDS AND MARKINGS - FUSELAGE	0984 & ON RF R
- 1	4416001-32		. DECAL-M2 INSIGNIA . . . . .	02 R
- 2	4416001-31		. PAINTMASK-M2 INSIGNIA . . . . .	01 R
- 3	6505010-124		. DECAL-CESSNA LOGO . . . . .	02 R
- 4	6505010-123		. PAINTMASK-CESSNA LOGO . . . . .	01 R

- ITEM NOT ILLUSTRATED

CESSNA®  
MODEL 525 (SERIALS -0685 AND -0800 AND ON)  
ILLUSTRATED PARTS CATALOG

A105302



**MAXIMUM WEIGHT ALLOWANCE  
400 LBS (181 KG).  
MAXIMUM FLOOR LOADING  
35 LBS/FT<sup>2</sup> (170 KG/M<sup>2</sup>).  
SEE AFM FOR WEIGHT  
AND BALANCE DATA.**

1

▲ **DETAIL B**

▲ Required for Dispatch

CZECH EXTERIOR PLACARDS AND MARKINGS - NOSE BAGGAGE  
FIGURE 01 (SHEET 1)

6310T1168  
A6313T1003

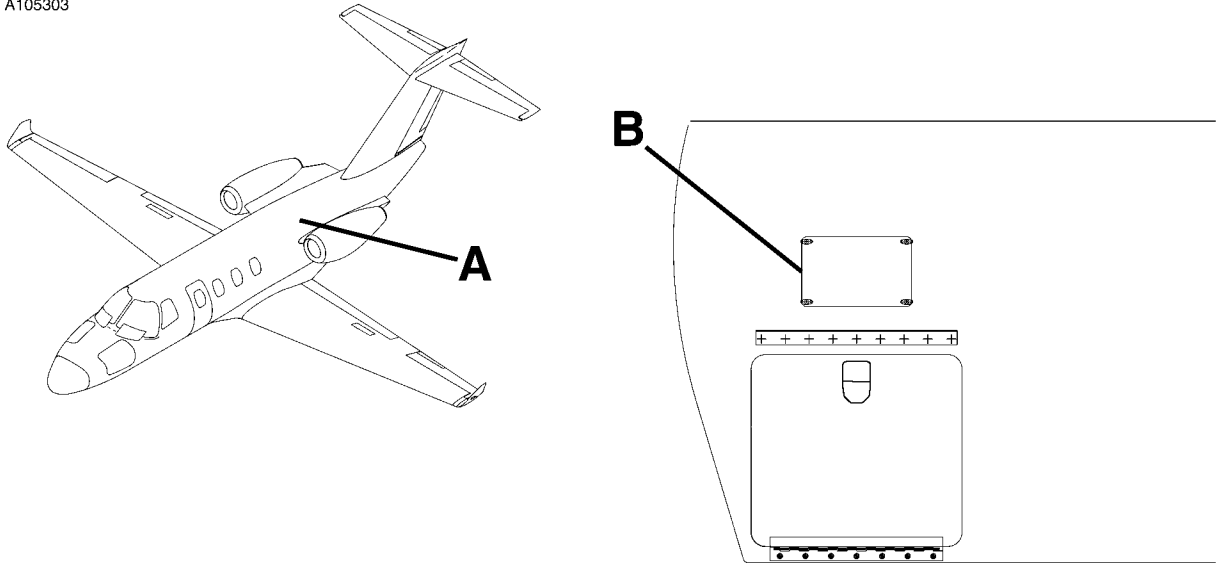
CESSNA®  
**MODEL 525 (SERIALS -0685 AND -0800 AND ON)**  
 ILLUSTRATED PARTS CATALOG

FIG ITEM	PART NUMBER	NOMENCLATURE							UNITS PER ASSY		
		1	2	3	4	5	6	7			
01											
-		CZECH EXTERIOR PLACARDS AND MARKINGS - NOSE BAGGAGE								RF R	
1	4416000-163								0984	& ON	02 R

- ITEM NOT ILLUSTRATED

CESSNA®  
**MODEL 525 (SERIALS -0685 AND -0800 AND ON)**  
ILLUSTRATED PARTS CATALOG

A105303



**DETAIL A**

Looking Forward at Left Hand Side Forward Wall

⊕

**MAXIMUM WEIGHT ALLOWANCE  
325 LBS (147 KG).  
MAXIMUM FLOOR LOADING  
100 LBS/FT<sup>2</sup> (488 KG/M<sup>2</sup>).  
SEE AFM FOR WEIGHT AND BALANCE DATA.**

**SECURE BAGGAGE WITH CARGO NET.**

**LATCH ALL DOORS PRIOR TO FLIGHT.**

⊕

1

▲ **DETAIL B**

▲ Required for Dispatch

6310T1168  
A6312T1220

CZECH EXTERIOR PLACARDS AND MARKINGS - AFT BAGGAGE  
FIGURE 02 (SHEET 1)



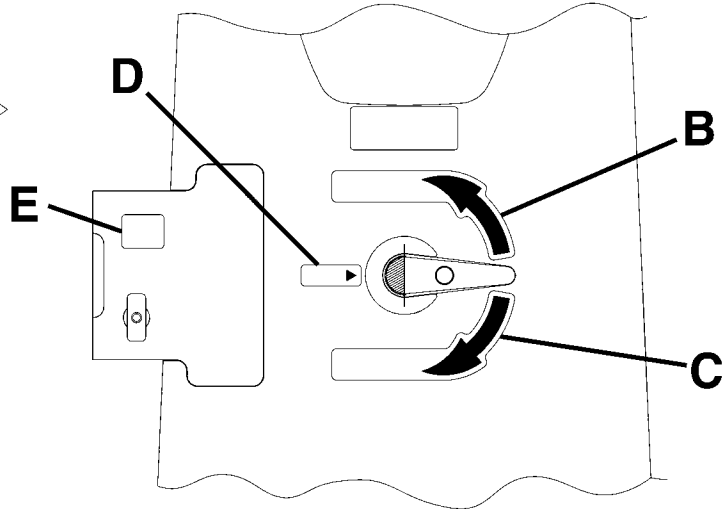
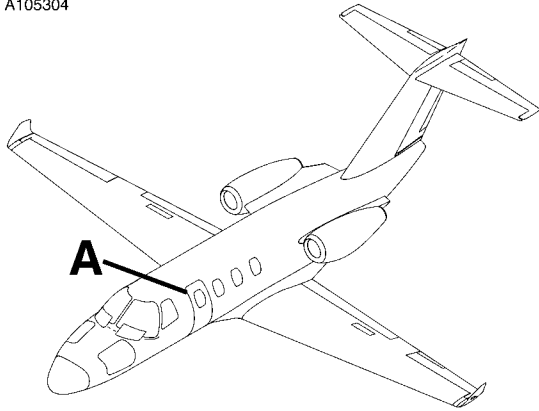
CESSNA®  
**MODEL 525 (SERIALS -0685 AND -0800 AND ON)**  
 ILLUSTRATED PARTS CATALOG

FIG ITEM	PART NUMBER	1 2 3 4 5 6 7	NOMENCLATURE	UNITS PER ASSY	
02					
-			CZECH EXTERIOR PLACARDS AND MARKINGS - AFT BAGGAGE		RF R
1	4416004-58		. PLACARD-MAX BAGGAGE WEIGHT 325LB . . . . .	0984	& ON 01 R
			ATTACHING PARTS		
- 2	MS35214-14		. SCREW . . . . .		04 R
- 3	MS21069L04		. NUTPLATE . . . . .		04 R
			—*—		

- ITEM NOT ILLUSTRATED

CESSNA®  
**MODEL 525 (SERIALS -0685 AND -0800 AND ON)**  
 ILLUSTRATED PARTS CATALOG

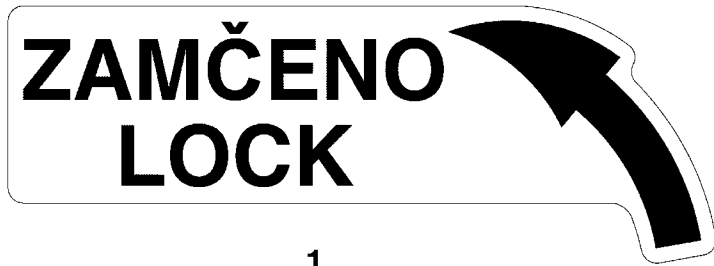
A105304



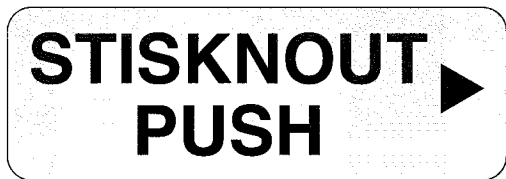
**DETAIL A**  
 (View Looking Inboard at Entry Door)

**DOOR CATCH  
 RELEASE INSIDE  
 BEHIND THIS  
 PLACARD. RAISE  
 STEPS BEFORE  
 CLOSING DOOR.**

**4**  
**DETAIL E**



**1**  
 ▲ **DETAIL B**



**3**  
 ▲ **DETAIL D**



**2**  
 ▲ **DETAIL C**

▲ Required for Dispatch

6310T1168  
 A6319T1646

CZECH EXTERIOR PLACARDS AND MARKINGS - CABIN DOOR  
 FIGURE 01 (SHEET 1)

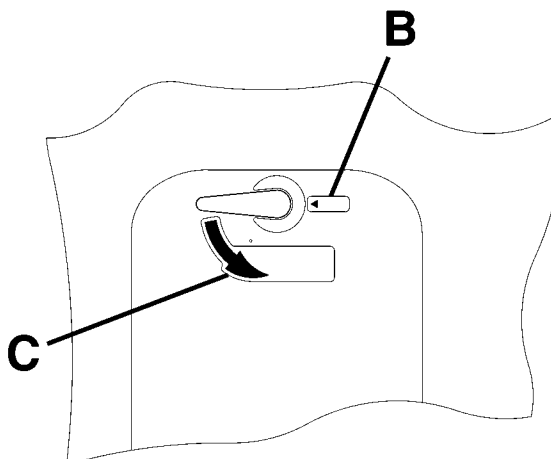
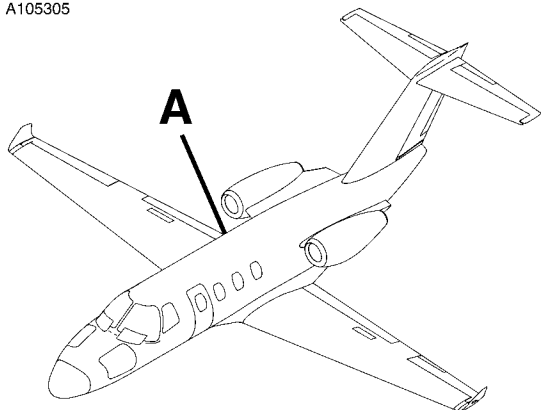
CESSNA®  
**MODEL 525 (SERIALS -0685 AND -0800 AND ON)**  
 ILLUSTRATED PARTS CATALOG

FIG ITEM	PART NUMBER	NOMENCLATURE	UNITS	
			PER	ASSY
01				
-		CZECH EXTERIOR PLACARDS AND MARKINGS - CABIN DOOR	0984	& ON RF R
1	4316015-9	. DECAL-CABIN DOOR (LOCK) . . . . .		01 R
2	4316015-10	. DECAL-CABIN DOOR (OPEN) . . . . .		01 R
3	4316015-21	. DECAL-CABIN DOOR (PUSH) . . . . .		01 R
4	4416000-172	. PHOTOPLACARD-CABIN DOOR PRECATCH HANDLE . . . . .		01 R

- ITEM NOT ILLUSTRATED

CESSNA®  
MODEL 525 (SERIALS -0685 AND -0800 AND ON)  
ILLUSTRATED PARTS CATALOG

A105305



**DETAIL A**  
Looking Inboard at Escape Hatch



2  
▲ **DETAIL B**



1  
▲ **DETAIL C**

▲ Required for Dispatch

6310T1168  
A4711953-2

CZECH EXTERIOR PLACARDS AND MARKINGS - ESCAPE HATCH  
FIGURE 02 (SHEET 1)

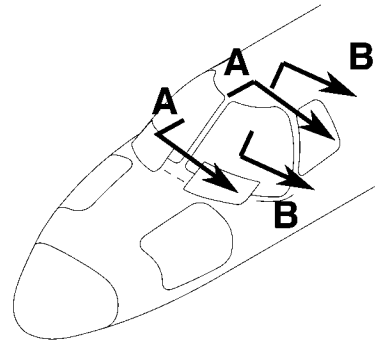
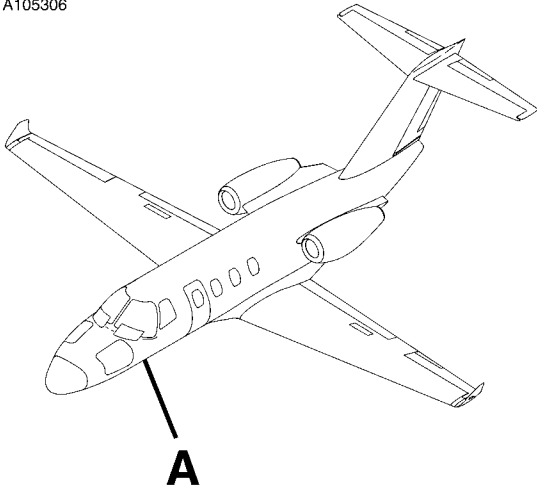
CESSNA®  
**MODEL 525 (SERIALS -0685 AND -0800 AND ON)**  
 ILLUSTRATED PARTS CATALOG

FIG ITEM	PART NUMBER	1 2 3 4 5 6 7	NOMENCLATURE	UNITS PER ASSY		
02						
-			CZECH EXTERIOR PLACARDS AND MARKINGS - ESCAPE HATCH	0984	& ON	RF R
1	4316015-7		. DECAL-EMERGENCY EXIT (OPEN) . . . . .			01 R
2	4316015-8		. DECAL-EMERGENCY EXIT (PUSH) . . . . .			01 R

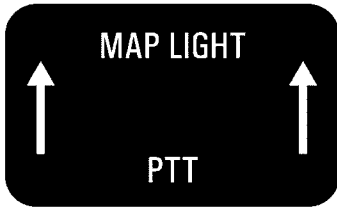
- ITEM NOT ILLUSTRATED

CESSNA®  
**MODEL 525 (SERIALS -0685 AND -0800 AND ON)**  
 ILLUSTRATED PARTS CATALOG

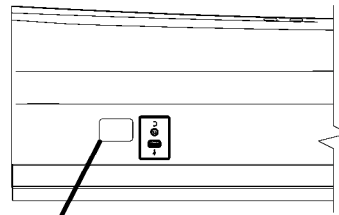
A105306



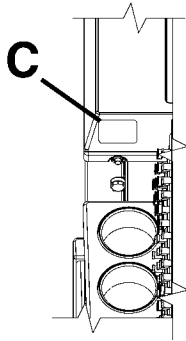
**DETAIL A**



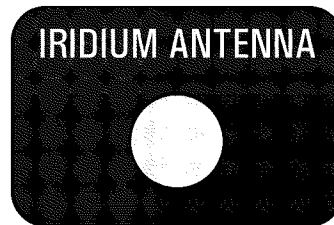
**2**  
**DETAIL C**



**B**  
**VIEW A-A**



**VIEW B-B**  
 View Looking at Left Hand Side Console



**1**  
**DETAIL B**

6310T1168  
 B6310T1168  
 AA6310T1183  
 BB6310T1184

CZECH INTERIOR PLACARDS AND MARKINGS - LH CONSOLE  
 FIGURE 04 (SHEET 1)

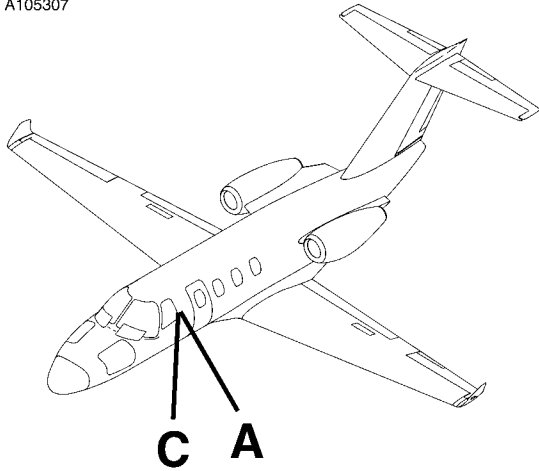
CESSNA®  
**MODEL 525 (SERIALS -0685 AND -0800 AND ON)**  
 ILLUSTRATED PARTS CATALOG

FIG ITEM	PART NUMBER	NOMENCLATURE	UNITS PER ASSY	
			1 2 3 4 5 6 7	
04				
-		CZECH INTERIOR PLACARDS AND MARKINGS - LH CONSOLE	0984	& ON RF R
1	4316002-35	. PLACARD-IRIDIUM ANTENNA . . . . .		01 R
2	4316002-38	. PLACARD-MAP LIGHT . . . . .		02 R

- ITEM NOT ILLUSTRATED

CESSNA®  
**MODEL 525 (SERIALS -0685 AND -0800 AND ON)**  
 ILLUSTRATED PARTS CATALOG

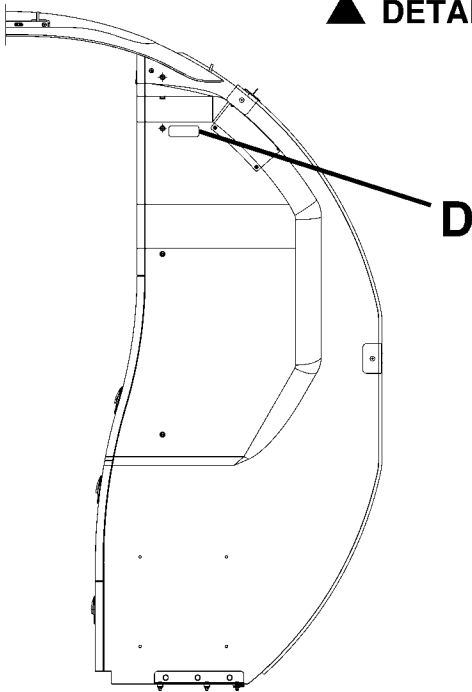
A105307



STOW CURTAIN FOR  
 TAXI, TAKEOFF, AND LANDING.

2

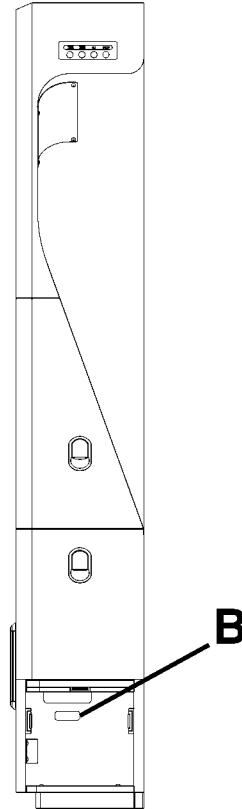
▲ **DETAIL D**



**DETAIL C**

Looking Aft at Left Hand Cabinet Assembly

▲ Required for Dispatch



**DETAIL A**

**CABIN BRIEFER  
 PROGRAM LOAD PORT**

1

**DETAIL B**

CZECH INTERIOR PLACARDS AND MARKINGS - FLIGHT COMPARTMENT  
 FIGURE 05 (SHEET 1)

6310T1168  
 A471T1953  
 C471T1953



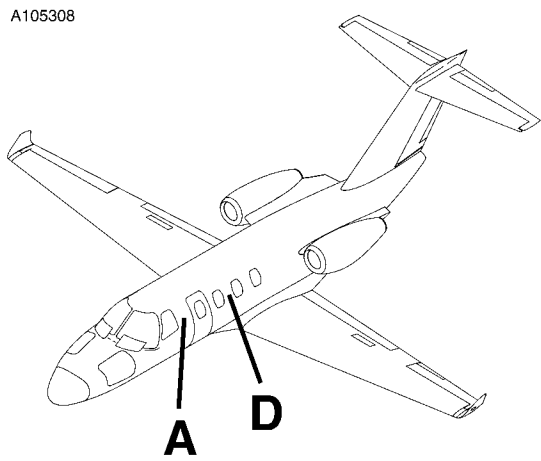
CESSNA®  
**MODEL 525 (SERIALS -0685 AND -0800 AND ON)**  
 ILLUSTRATED PARTS CATALOG

FIG ITEM	PART NUMBER	NOMENCLATURE	UNITS PER ASSY	
			1 2 3 4 5 6 7	
05				
-		CZECH INTERIOR PLACARDS AND MARKINGS - FLIGHT COMPARTMENT	0984	& ON RF R
1	4316002-40	. PLACARD-CABIN BRIEFER PORT . . . . .		01 R
2	4316002-8	. PLACARD-CURTAIN STOWAGE . . . . .		01 R

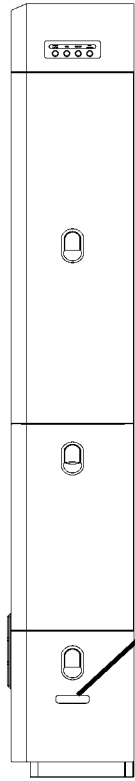
- ITEM NOT ILLUSTRATED

CESSNA®  
**MODEL 525 (SERIALS -0685 AND -0800 AND ON)**  
 ILLUSTRATED PARTS CATALOG

A105308



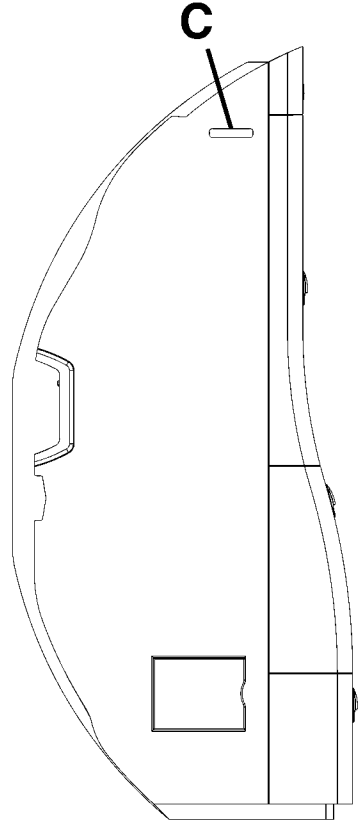
**A**



**B**

**A**

**DETAIL A**

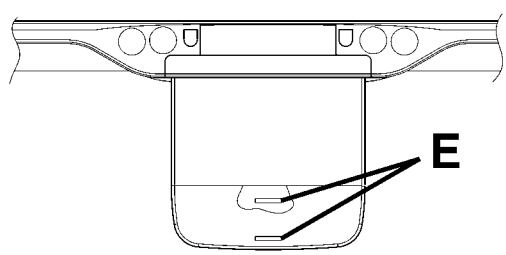


**VIEW A-A**

**ULOŽTE PŘI POJÍŽDĚNÍ, VZLETU A PŘISTÁNÍ.  
 STOW FOR TAXI, TAKEOFF, AND LANDING.**

**3**

**▲ DETAIL E**



**DETAIL D**

Looking Down on Right Hand Side Deployed Table,  
 Left Hand Side Opposite

**ZAVŘETE VŠECHNA DVÍŘKA A ZÁSUVKY  
 SKŘÍNĚK PŘI POJÍŽDĚNÍ, VZLETU A PŘISTÁNÍ.  
 CLOSE ALL CABINET DOORS AND DRAWERS  
 FOR TAXI, TAKEOFF, AND LANDING.**

**2**

**▲ DETAIL C**

**▲ Required for Dispatch**

**NEODHAZUJTE CIGARETY; POŽADUJE  
 SE KOVOVÁ VÝPLŇ NÁDOBY NA ODPADKY.  
 NO CIGARETTE DISPOSAL;  
 METAL TRASH LINER REQUIRED.**

**1**

**▲ DETAIL B**

6310T1168  
 A6320T1021  
 AA6320T1021  
 D6320T1021

CZECH INTERIOR PLACARDS AND MARKINGS - FORWARD CABIN  
 FIGURE 01 (SHEET 1)

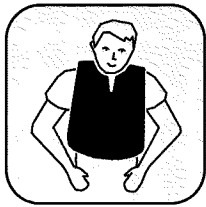
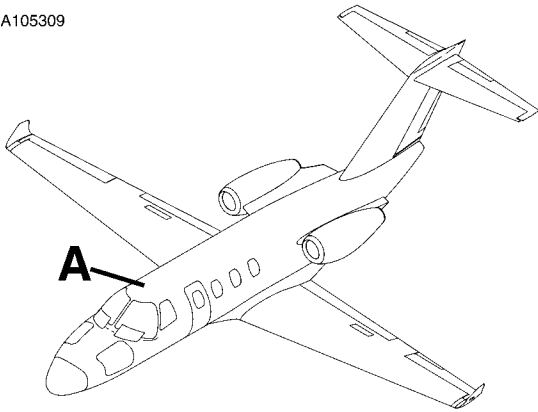
CESSNA®  
**MODEL 525 (SERIALS -0685 AND -0800 AND ON)**  
 ILLUSTRATED PARTS CATALOG

FIG ITEM	PART NUMBER	NOMENCLATURE	UNITS PER ASSY		
			1	2	3
01					
-		CZECH INTERIOR PLACARDS AND MARKINGS - FORWARD CABIN	0984	& ON	RF R
1	4316015-13	. PLACARD-TRASH CONTAINER W/LINER . . . . .			01 R
2	4316015-14	. PLACARD-CABINET INSTRUCTIONS . . . . .			01 R
3	4316015-200	. PLACARD-TABLE INSTRUCTIONS . . . . .			04 R

- ITEM NOT ILLUSTRATED

CESSNA®  
**MODEL 525 (SERIALS -0685 AND -0800 AND ON)**  
 ILLUSTRATED PARTS CATALOG

A105309



78

▲ **DETAIL C**



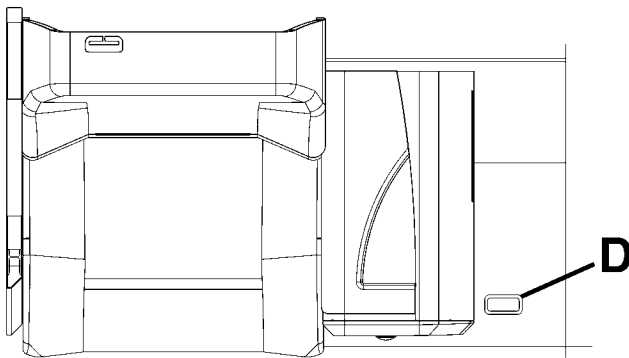
76

**DETAIL D**



75

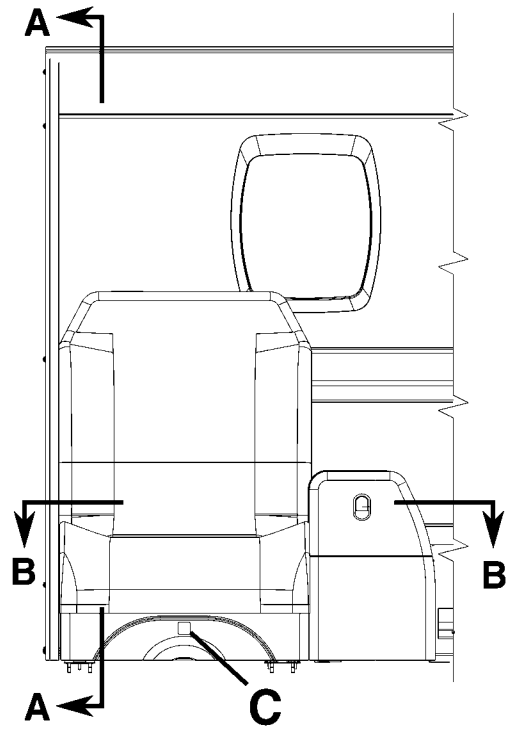
▲ **DETAIL B**



**VIEW B-B**

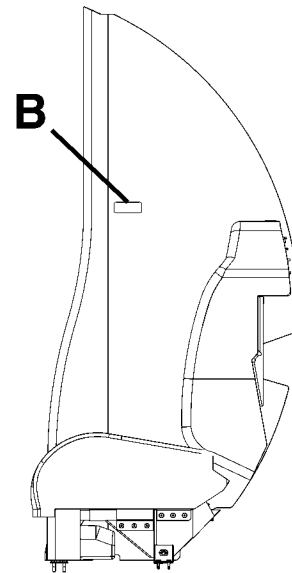
▲ Required for Dispatch

CZECH INTERIOR PLACARDS AND MARKINGS - FORWARD CABIN  
 FIGURE 01 (SHEET 2)



**DETAIL A**

Looking Outboard at Side Facing Seat



**VIEW A-A**

6310T1168  
 A6320T1021  
 AA6320T1021  
 BB6320T1021

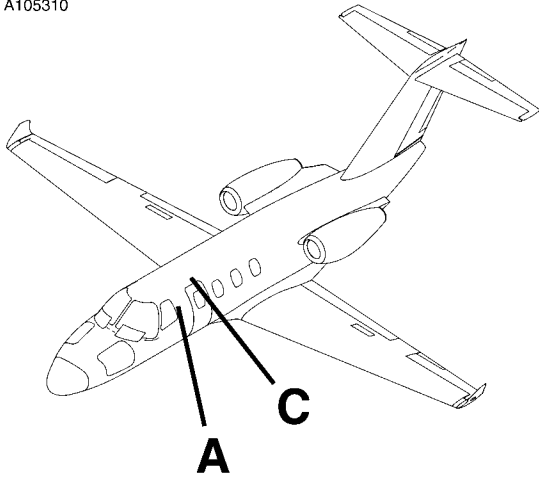
CESSNA®  
**MODEL 525 (SERIALS -0685 AND -0800 AND ON)**  
 ILLUSTRATED PARTS CATALOG

FIG ITEM	PART NUMBER	NOMENCLATURE	UNITS PER ASSY		
			1	2	3
01					
75	4316015-22	. PLACARD-SIDE FACING SEAT W/O ARMREST INSTRUCTIONS . . . . .	0984	& ON	01 R
76	4316015-25	. PLACARD-AIR INLET . . . . .	0984	& ON	01 R
- 77	4717197-2	. PLACARD-COVER . . . . .	0984	& ON	01 R
78	4316002-32	. PLACARD-LIFE VEST . . . . .	0984	& ON	01 R

- ITEM NOT ILLUSTRATED

CESSNA®  
**MODEL 525 (SERIALS -0685 AND -0800 AND ON)**  
 ILLUSTRATED PARTS CATALOG

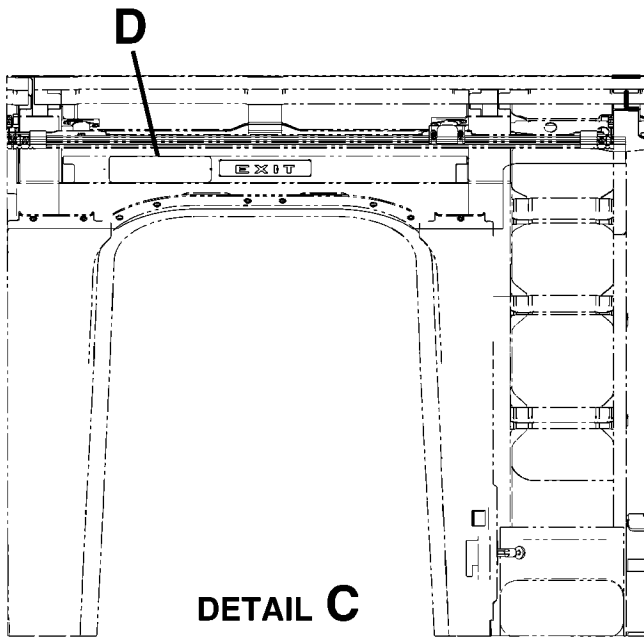
A105310



**VÝCHOD**

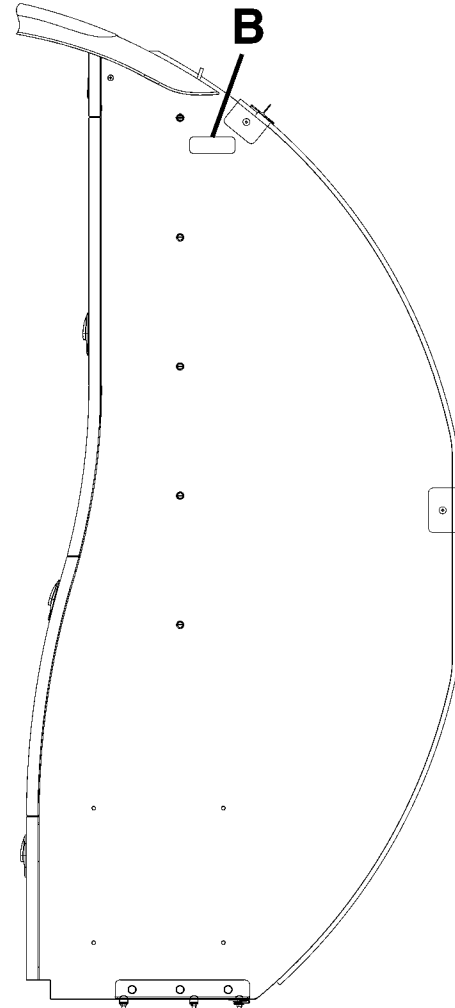
151

▲ **DETAIL D**



**DETAIL C**

▲ Required for Dispatch



**DETAIL A**

View Looking Aft at Left Hand Side  
 Forward Refreshment Center

**STOW CURTAIN FOR  
 TAXI, TAKEOFF, AND LANDING.**

150

▲ **DETAIL B**

6310T1168  
 A4711953-25

CZECH INTERIOR PLACARDS AND MARKINGS - FORWARD CABIN  
 FIGURE 01 (SHEET 3)

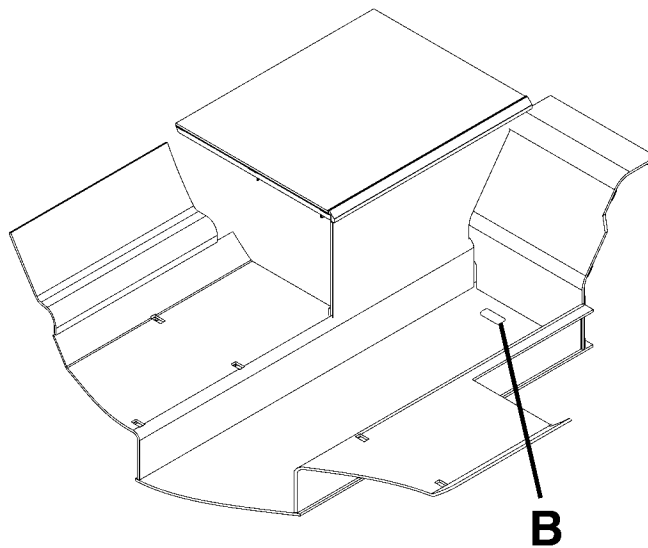
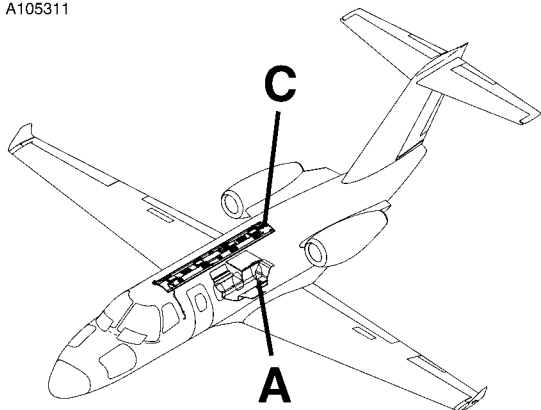
CESSNA®  
**MODEL 525 (SERIALS -0685 AND -0800 AND ON)**  
 ILLUSTRATED PARTS CATALOG

FIG ITEM	PART NUMBER	1 2 3 4 5 6 7	NOMENCLATURE	UNITS PER ASSY		
01						
150	4316002-8		. PLACARD-CURTAIN INSTRUCTIONS . . . . .	0984	& ON	01 R
151	4416090-64		. PLACARD-EXIT SIGN . . . . .	0984	& ON	01 R

- ITEM NOT ILLUSTRATED

CESSNA®  
**MODEL 525 (SERIALS -0685 AND -0800 AND ON)**  
 ILLUSTRATED PARTS CATALOG

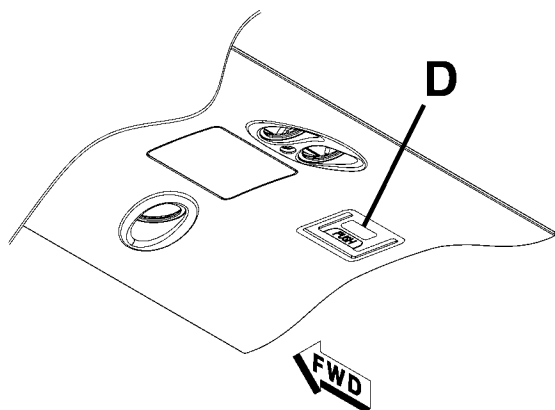
A105311



3

▲ **DETAIL D**

**DETAIL A**



**DETAIL C**



1

**DETAIL B**

▲ Required for Dispatch

6310T1168  
 A6312T1217  
 C6312T1218

CZECH INTERIOR PLACARDS AND MARKINGS - AFT CABIN  
 FIGURE 02 (SHEET 1)



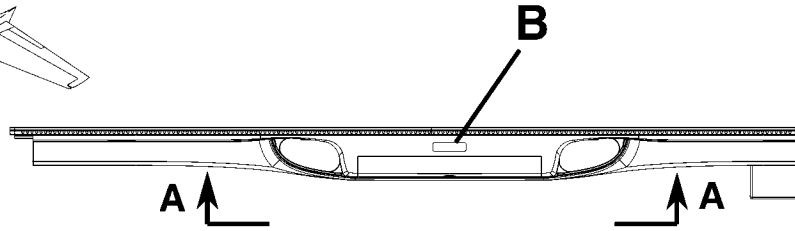
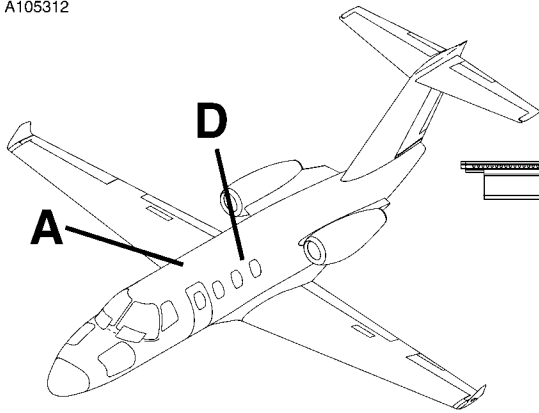
CESSNA®  
**MODEL 525 (SERIALS -0685 AND -0800 AND ON)**  
 ILLUSTRATED PARTS CATALOG

FIG ITEM	PART NUMBER	1 2 3 4 5 6 7	NOMENCLATURE	UNITS PER ASSY		
				0984	& ON	RF R
02			CZECH INTERIOR PLACARDS AND MARKINGS - AFT CABIN			
-				0984	& ON	RF R
1	4316015-25		. PLACARD-AIR INLET . . . . .			01 R
- 2	4717197-2		. PLACARD-COVER . . . . .			01 R
3	4316002-34		. PLACARD-COAT ROD . . . . .			01 R

- ITEM NOT ILLUSTRATED

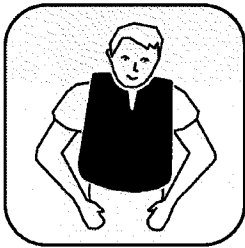
CESSNA®  
**MODEL 525 (SERIALS -0685 AND -0800 AND ON)**  
 ILLUSTRATED PARTS CATALOG

A105312



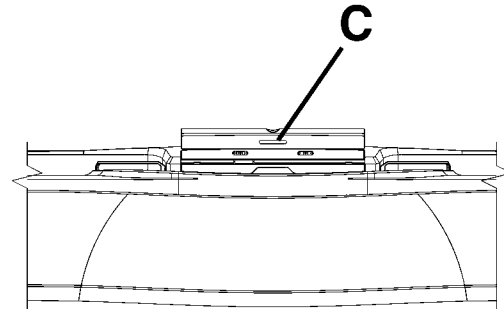
**DETAIL A**

Looking Down on Right Hand Sideledge



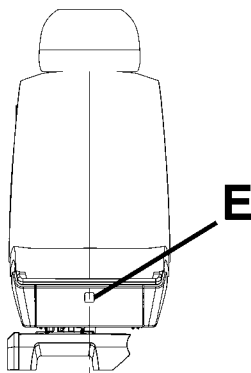
3

▲ **DETAIL E**



**VIEW A-A**

Table Lid Shown in Upright Position



**DETAIL D**

PŘI POJÍŽDĚNÍ, VZLETU A PŘÍSTÁNÍ: NAROVNEJTE OPĚRADLO SEDADLA;  
 VYTÁHŇETE OPĚRKU HLAVY; ODSUŇTE SEDADLO OD STOLU  
 A POTÉ SMĚREM KE STĚNĚ; PŘIPOUJTE SE BEZPEČNOSTNÍM PÁSEM.  
 ZÁCHRANNÁ VESTA POD SEDADLEM.

FOR TAXI, TAKEOFF, AND LANDING: RAISE SEAT BACK;  
 EXTEND HEADREST; TRACK SEAT AWAY FROM TABLE  
 THEN OUTBOARD; FASTEN SHOULDER HARNESS.  
 LIFE VEST IN SEAT BASE.

1

▲ **DETAIL B**

ZAVŘETE VÍKO PŘI POJÍŽDĚNÍ, VZLETU A PŘÍSTÁNÍ.  
 CLOSE LID FOR TAXI, TAKEOFF, AND LANDING.

2

▲ **DETAIL C**

▲ Required for Dispatch

CZECH INTERIOR PLACARDS AND MARKINGS - CABIN SEATS  
 FIGURE 04 (SHEET 1)

6310T1168  
 A6319T1647  
 AA6319T1647  
 D6319T1648

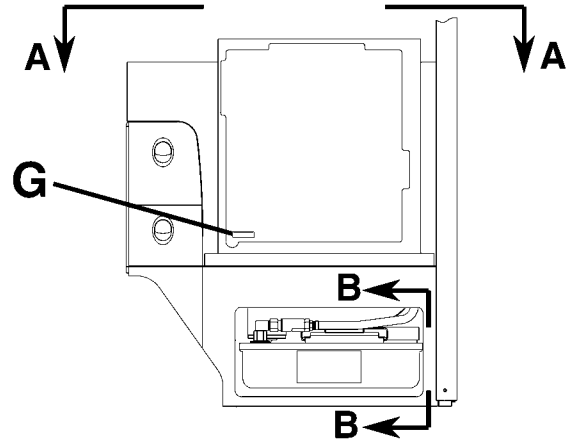
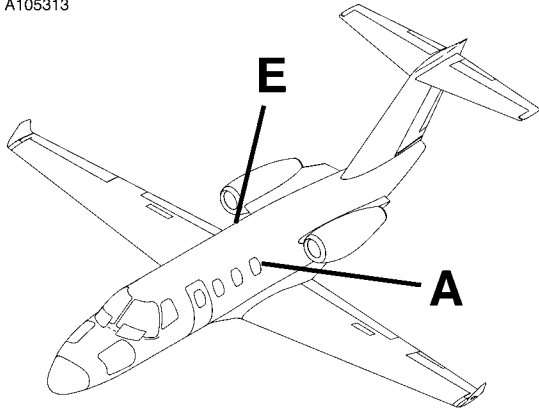
CESSNA®  
**MODEL 525 (SERIALS -0685 AND -0800 AND ON)**  
 ILLUSTRATED PARTS CATALOG

FIG ITEM	PART NUMBER	NOMENCLATURE	UNITS PER ASSY	
			1 2 3 4 5 6 7	
04				
-		CZECH INTERIOR PLACARDS AND MARKINGS - CABIN SEATS	0984	& ON RF R
1	4316015-24	. PLACARD-SEAT INSTRUCTIONS . . . . .		02 R
2	4316015-23	. PLACARD-TABLE LID INSTRUCTIONS . . . . .		02 R
3	4316002-32	. PLACARD-LIFEVEST . . . . .		04 R

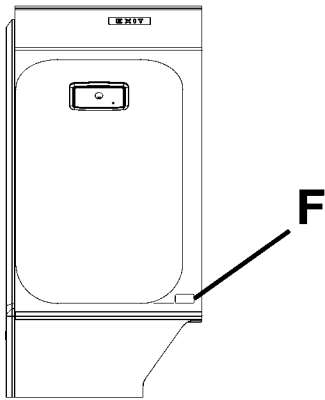
- ITEM NOT ILLUSTRATED

CESSNA®  
**MODEL 525 (SERIALS -0685 AND -0800 AND ON)**  
 ILLUSTRATED PARTS CATALOG

A105313



**DETAIL A**  
 View Looking Outboard

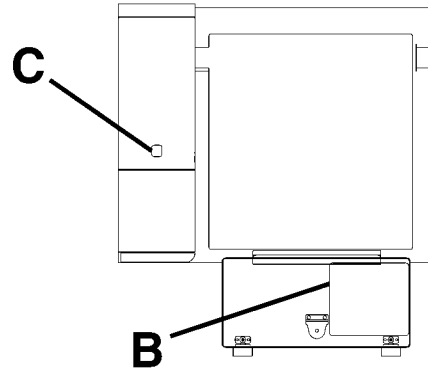


**DETAIL E**  
 View Looking Outboard



5

▲ **DETAIL F**



**VIEW A-A**

SPLÁCHNĚTE STISKNUTÍM

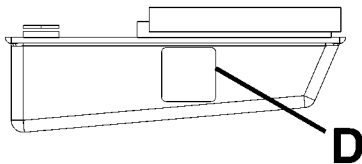
3

**DETAIL G**

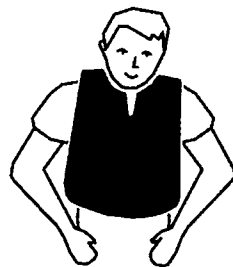
TOILET CHEMICAL  
 IS CORROSIVE.  
 USE EXTREME CARE  
 TO PREVENT SPILLAGE.  
 FOLLOW SERVICING  
 INSTRUCTIONS CAREFULLY.  
 CLEAN ANY SPILLAGE  
 IMMEDIATELY AND  
 REPORT IT TO THE CREW.

1

**DETAIL D**

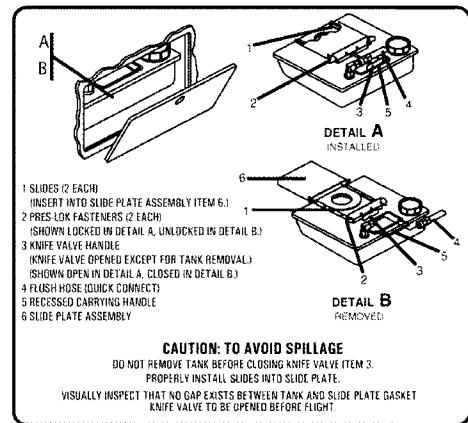


**VIEW B-B**



4

▲ **DETAIL C**



**CAUTION: TO AVOID SPILLAGE**

DO NOT REMOVE TANK BEFORE CLOSING KNIFE VALVE ITEM 3.  
 PROPERLY INSTALL SLIDES INTO SLIDE PLATE.  
 VISUALLY INSPECT THAT NO GAP EXISTS BETWEEN TANK AND SLIDE PLATE GASKET.  
 KNIFE VALVE TO BE OPENED BEFORE FLIGHT.

2

**DETAIL B**

▲ Required for Dispatch

6310T1168  
 A6319T1360  
 AA6319T1361  
 BB6319T1360  
 E6314T1662

CZECH INTERIOR PLACARDS AND MARKINGS - LAVATORY  
 FIGURE 01 (SHEET 1)

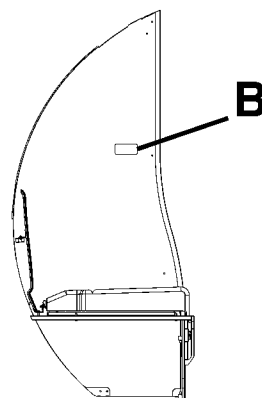
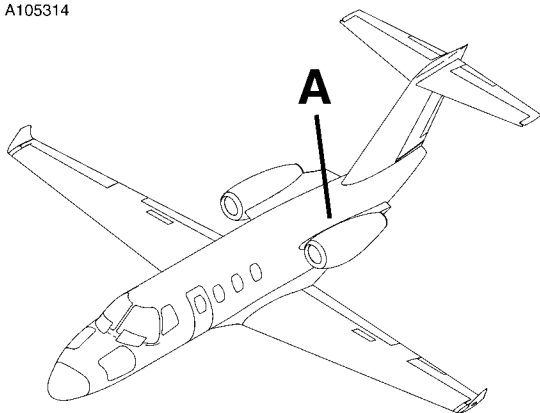
CESSNA®  
**MODEL 525 (SERIALS -0685 AND -0800 AND ON)**  
 ILLUSTRATED PARTS CATALOG

FIG ITEM	PART NUMBER	NOMENCLATURE	UNITS	
			PER	ASSY
01				
-		CZECH INTERIOR PLACARDS AND MARKINGS - LAVATORY	0984	& ON RF R
1	4316002-30	. PLACARD-TOILET CARE . . . . .		01 R
2	4316002-36	. PLACARD-TOILET SERVICING . . . . .		01 R
3	4316015-19	. PLACARD-PRESS TO FLUSH . . . . .		01 R
4	4316002-32	. PLACARD-LIFEVEST . . . . .		01 R
5	4316002-33	. PLACARD-NO SMOKING . . . . .		01 R

- ITEM NOT ILLUSTRATED

CESSNA®  
**MODEL 525 (SERIALS -0685 AND -0800 AND ON)**  
ILLUSTRATED PARTS CATALOG

A105314



**DETAIL A**

View Looking Forward at Left Hand Side  
Toilet Assembly and Left Hand Side Aft Divider

PŘI POJÍŽDĚNÍ, VZLETU A PŘISTÁNÍ:  
UPEVNĚTE OTEVŘENÁ ZASOUVACÍ DVÍŘKA;  
ZAVŘETE VŠECHNA DVÍŘKA A ZÁSUVKY SKŘÍŇEK;  
PŘIPOUTEJTE SE BEZPEČNOSTNÍM PÁSEM.

ZÁCHRANNÁ VESTA VE SKŘÍŇCE SEDADLA.

FOR TAXI, TAKEOFF, AND LANDING:  
LATCH SLIDING DOORS OPEN;  
CLOSE ALL CABINET DOORS AND DRAWERS;  
FASTEN SHOULDER HARNESS.

LIFE VEST IN SEAT CABINET.

75

▲ **DETAIL B**

▲ Required for Dispatch

6310T1168  
A6319T1650

CZECH INTERIOR PLACARDS AND MARKINGS - LAVATORY  
FIGURE 01 (SHEET 2)

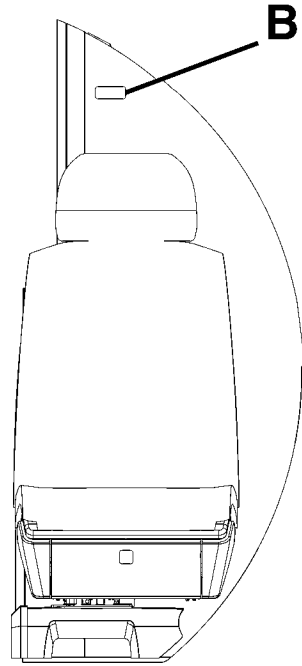
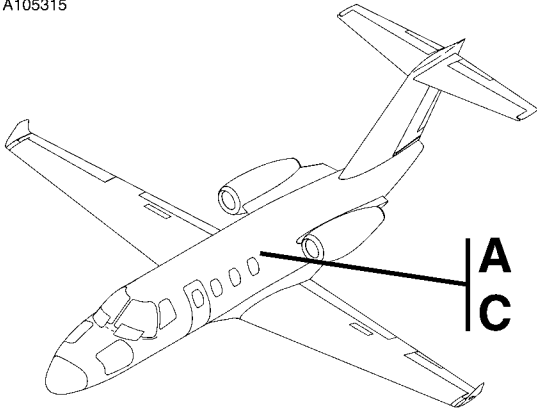
CESSNA®  
**MODEL 525 (SERIALS -0685 AND -0800 AND ON)**  
 ILLUSTRATED PARTS CATALOG

FIG ITEM	PART NUMBER	1 2 3 4 5 6 7	NOMENCLATURE	UNITS PER ASSY
01 75	4316015-18		. PLACARD-LH BELTED TOILET INSTRUCTIONS (DOOR) . . . . .	0984 & ON 01 R

- ITEM NOT ILLUSTRATED

CESSNA®  
**MODEL 525 (SERIALS -0685 AND -0800 AND ON)**  
 ILLUSTRATED PARTS CATALOG

A105315



**DETAIL A**  
 Looking Aft

**PŘI POJÍŽDĚNÍ, VZLETU A PŘISTÁNÍ:**  
 ULOŽTE ZÁVĚS;  
 ZAVŘETE VŠECHNA DVÍRKA A ZÁSUVKY SKŘÍŇEK;  
 PŘIPOUJEJTE SE BEZPEČNOSTNÍM PÁSEM.

---

ZÁCHRANNÁ VESTA VE SKŘÍŇCE SEDADLA.

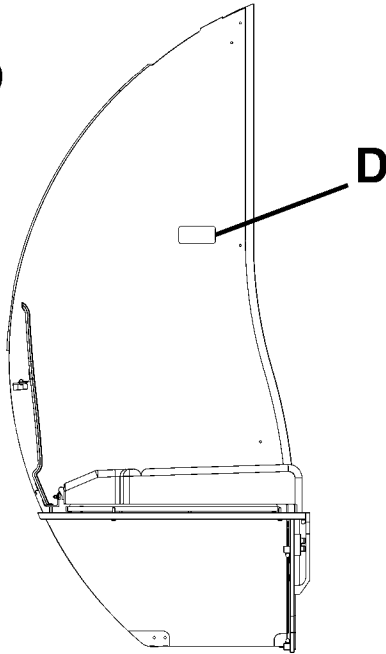
---

FOR TAXI, TAKEOFF, AND LANDING:  
 STOW CURTAIN;  
 CLOSE ALL CABINET DOORS AND DRAWERS;  
 FASTEN SHOULDER HARNESS.

---

LIFE VEST IN SEAT CABINET.

**3**  
 ▲ **DETAIL D**



**DETAIL C**  
 Looking Forward

▲ Required for Dispatch

**ZÁKAZ KOUŘENÍ NA TOALETĚ.**  
 PŘIPEVNĚTE OTEVŘENÁ ZASOUVACÍ DVÍRKA  
 PŘI POJÍŽDĚNÍ, VZLETU A PŘISTÁNÍ.

---

NO SMOKING IN LAVATORY.

---

LATCH SLIDING DOORS OPEN  
 FOR TAXI, TAKEOFF, AND LANDING.

**1**  
 ▲ **DETAIL B**

**ZÁKAZ KOUŘENÍ NA TOALETĚ.**  
 ULOŽTE ZÁVĚS  
 PŘI POJÍŽDĚNÍ, VZLETU A PŘISTÁNÍ.

---

NO SMOKING IN LAVATORY.

---

STOW CURTAIN  
 FOR TAXI, TAKEOFF, AND LANDING.

**2**  
 ▲ **DETAIL B**

6310T1168  
 A6319T1649  
 C6319T1650

CZECH INTERIOR PLACARDS AND MARKINGS - DIVIDERS  
 FIGURE 02 (SHEET 1)



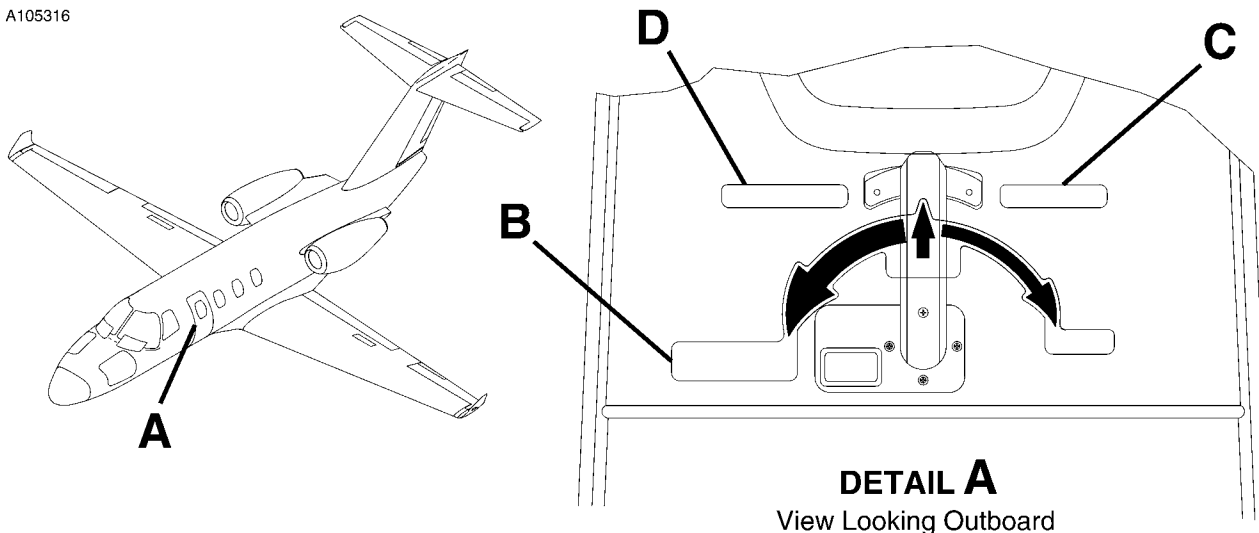
CESSNA®  
**MODEL 525 (SERIALS -0685 AND -0800 AND ON)**  
 ILLUSTRATED PARTS CATALOG

FIG ITEM	PART NUMBER	NOMENCLATURE	UNITS PER ASSY		
			1	2	3
02					
-		CZECH INTERIOR PLACARDS AND MARKINGS - DIVIDERS	0984	& ON	RF R
1	4316015-16	. PLACARD-AFT CABIN INSTRUCTIONS (DOOR) . . . . .			01 R
2	4316015-15	. PLACARD-AFT CABIN INSTRUCTIONS (CURTAIN) . . . . .			01 R
3	4316015-17	. PLACARD-LH BELTED TOILET (CURTAIN) . . . . .			01 R

- ITEM NOT ILLUSTRATED

CESSNA®  
**MODEL 525 (SERIALS -0685 AND -0800 AND ON)**  
 ILLUSTRATED PARTS CATALOG

A105316



1  
 ▲ **DETAIL B**

**PRO UVOLNĚNÍ: STLAČTE KNOFLÍK A  
 ZATÁHNĚTE ZA SPOUŠŤ NA RUKOJETI.**

3  
 ▲ **DETAIL D**

**TO RELEASE: PUSH BUTTON,  
 PULL TRIGGER ON HANDLE.**

2  
 ▲ **DETAIL C**

▲ Required for Dispatch

6310T1168  
 A6319T1645

CZECH INTERIOR PLACARDS AND MARKINGS - CABIN DOOR  
 FIGURE 01 (SHEET 1)

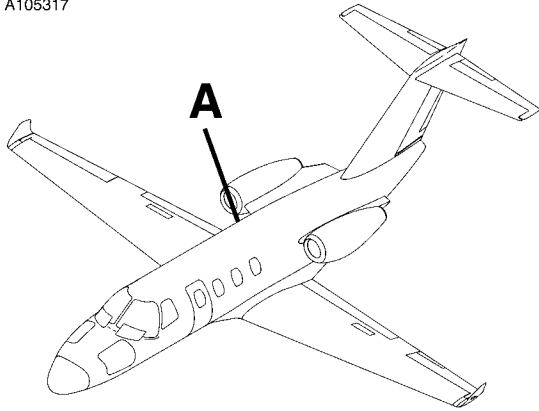
CESSNA®  
**MODEL 525 (SERIALS -0685 AND -0800 AND ON)**  
 ILLUSTRATED PARTS CATALOG

FIG ITEM	PART NUMBER	NOMENCLATURE	UNITS PER ASSY		
			1	2	3
01					
-		CZECH INTERIOR PLACARDS AND MARKINGS - CABIN DOOR	0984	& ON	RF R
1	4316015-27	. DECAL-CABIN DOOR INSTRUCTIONS . . . . .			01 R
2	4316002-19	. DECAL-CABIN DOOR HANDLE INSTRUCTIONS . . . . .			01 R
3	4316015-26	. DECAL-CABIN DOOR HANDLE INSTRUCTIONS . . . . .			01 R

- ITEM NOT ILLUSTRATED

CESSNA®  
**MODEL 525 (SERIALS -0685 AND -0800 AND ON)**  
 ILLUSTRATED PARTS CATALOG

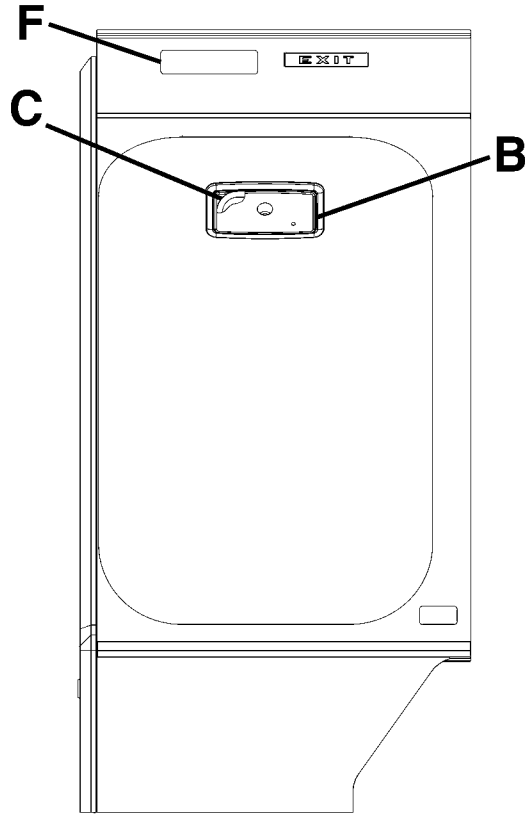
A105317



**VÝCHOD**

3

▲ **DETAIL F**



◀ **FWD**

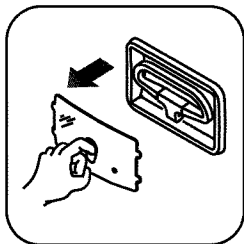
**DETAIL A**

View Looking Outboard



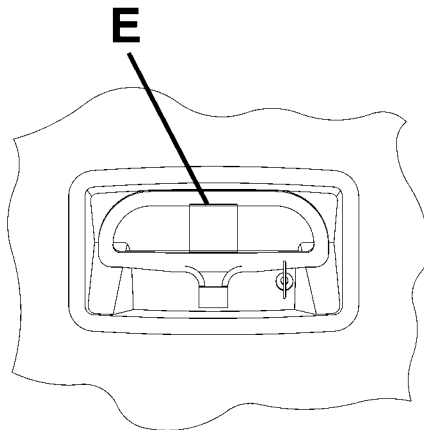
1

▲ **DETAIL E**

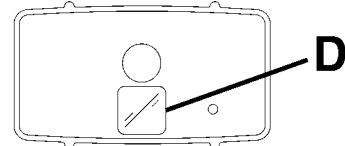


2

▲ **DETAIL D**



**DETAIL C**



**DETAIL B**

▲ Required for Dispatch

CZECH INTERIOR PLACARDS AND MARKINGS - ESCAPE HATCH  
 FIGURE 02 (SHEET 1)

6310T1168  
 A6310T1180  
 B6310T1180  
 C6310T1180

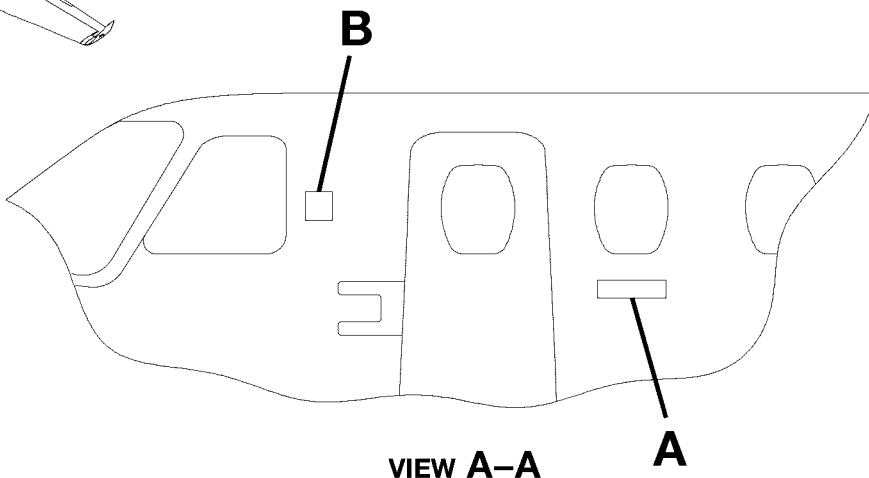
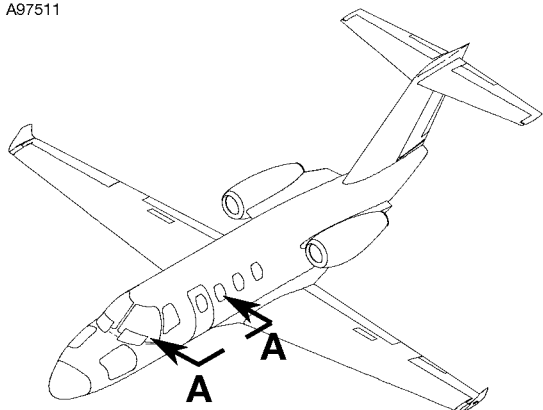
CESSNA®  
**MODEL 525 (SERIALS -0685 AND -0800 AND ON)**  
 ILLUSTRATED PARTS CATALOG

FIG ITEM	PART NUMBER	1 2 3 4 5 6 7	NOMENCLATURE	UNITS PER ASSY		
02			CZECH INTERIOR PLACARDS AND MARKINGS - ESCAPE HATCH	0984	& ON	RF R
-						
1	4316015-20		. PLACARD-ESCAPE HATCH HANDLE INSTRUCTIONS . . . . .			01 R
2	4316002-26		. PLACARD-ESCAPE HATCH COVER INSTRUCTIONS . . . . .			01 R
3	4416090-64		. PLACARD-EXIT SIGN . . . . .			01 R

- ITEM NOT ILLUSTRATED

CESSNA®  
MODEL 525 (SERIALS -0685 AND -0800 AND ON)  
ILLUSTRATED PARTS CATALOG

A97511



3  
DETAIL B

CITATION  
M2

1  
DETAIL A

6310T1168  
AA6314T1174

DANISH EXTERIOR PLACARDS AND MARKINGS - FUSELAGE  
FIGURE 02 (SHEET 1)

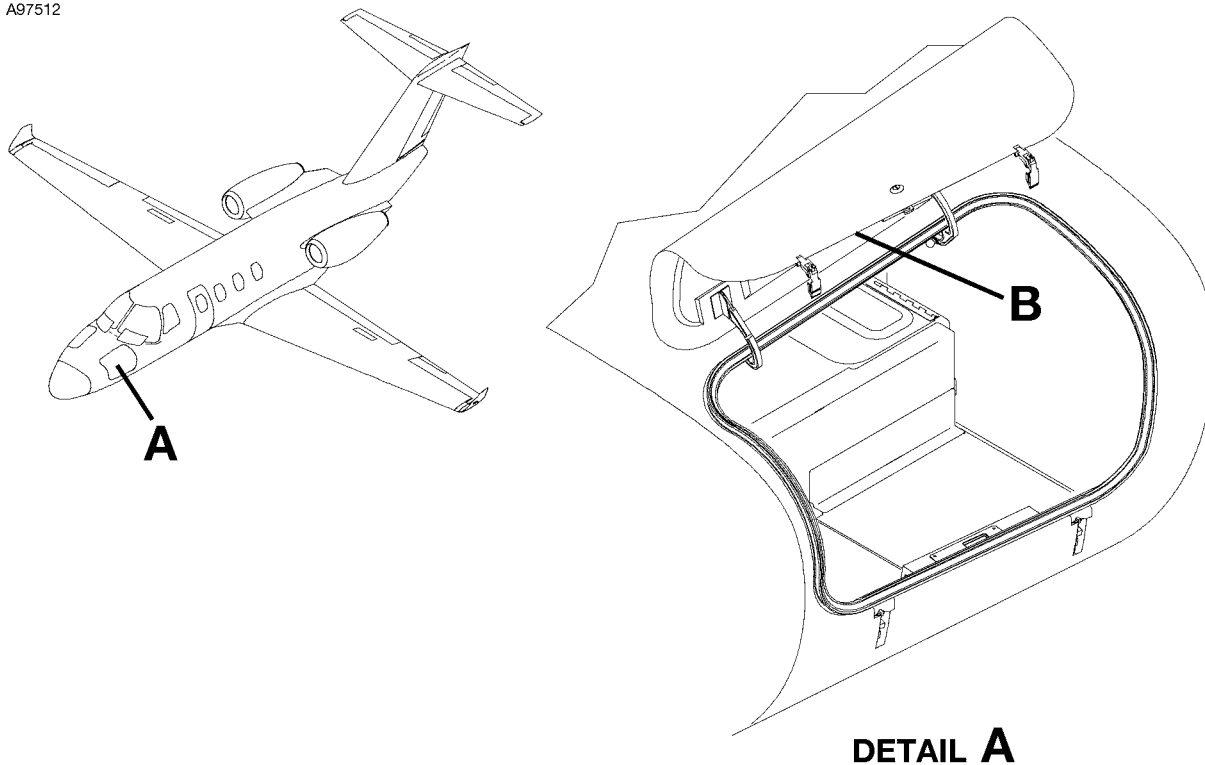
CESSNA®  
**MODEL 525 (SERIALS -0685 AND -0800 AND ON)**  
 ILLUSTRATED PARTS CATALOG

FIG ITEM	PART NUMBER	NOMENCLATURE	UNITS PER ASSY		
			1	2	3
02					
-		DANISH EXTERIOR PLACARDS AND MARKINGS - FUSELAGE	0857	& ON	RF R
- 1	4416001-32	. DECAL-M2 INSIGNIA . . . . .			02 R
- 2	4416001-31	. PAINTMASK-M2 INSIGNIA . . . . .			01 R
- 3	6505010-124	. DECAL-CESSNA LOGO . . . . .			02 R
- 4	6505010-123	. PAINTMASK-CESSNA LOGO . . . . .			01 R

- ITEM NOT ILLUSTRATED

CESSNA®  
MODEL 525 (SERIALS -0685 AND -0800 AND ON)  
ILLUSTRATED PARTS CATALOG

A97512



MAXIMUM WEIGHT ALLOWANCE  
400 LBS (181 KG).  
MAXIMUM FLOOR LOADING  
35 LBS/FT<sup>2</sup> (170 KG/M<sup>2</sup>).  
SEE AFM FOR WEIGHT  
AND BALANCE DATA.

1

▲ DETAIL B

▲ REQUIRED FOR DISPATCH

DANISH EXTERIOR PLACARDS AND MARKINGS - NOSE BAGGAGE  
FIGURE 01 (SHEET 1)

6310T1168  
A6313T1003



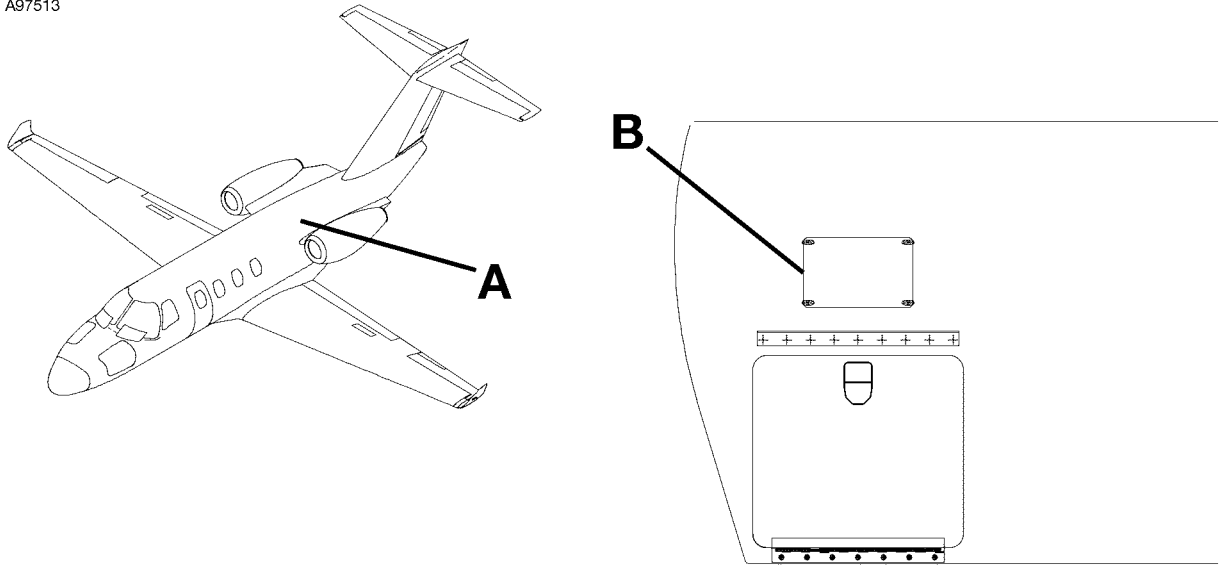
CESSNA®  
**MODEL 525 (SERIALS -0685 AND -0800 AND ON)**  
 ILLUSTRATED PARTS CATALOG

FIG ITEM	PART NUMBER	1 2 3 4 5 6 7	NOMENCLATURE	UNITS PER ASSY		
01						
-			DANISH EXTERIOR PLACARDS AND MARKINGS - NOSE BAGGAGE	0857	& ON	RF R
1	4416000-163		. PLACARD-NOSE BAGGAGE WEIGHT . . . . .			02 R

- ITEM NOT ILLUSTRATED

CESSNA®  
**MODEL 525 (SERIALS -0685 AND -0800 AND ON)**  
ILLUSTRATED PARTS CATALOG

A97513



**DETAIL A**

Looking Forward at Left Hand Side Forward Wall

⊕

**MAXIMUM WEIGHT ALLOWANCE  
325 LBS (147 KG).  
MAXIMUM FLOOR LOADING  
100 LBS/FT<sup>2</sup> (488 KG/M<sup>2</sup>).  
SEE AFM FOR WEIGHT AND BALANCE DATA.**

**SECURE BAGGAGE WITH CARGO NET.**

⊕

**LATCH ALL DOORS PRIOR TO FLIGHT.**

⊕

1

**▲ DETAIL B**

**▲ REQUIRED FOR DISPATCH**

6310T1168  
A6312T1220

DANISH EXTERIOR PLACARDS AND MARKINGS - AFT BAGGAGE  
FIGURE 02 (SHEET 1)

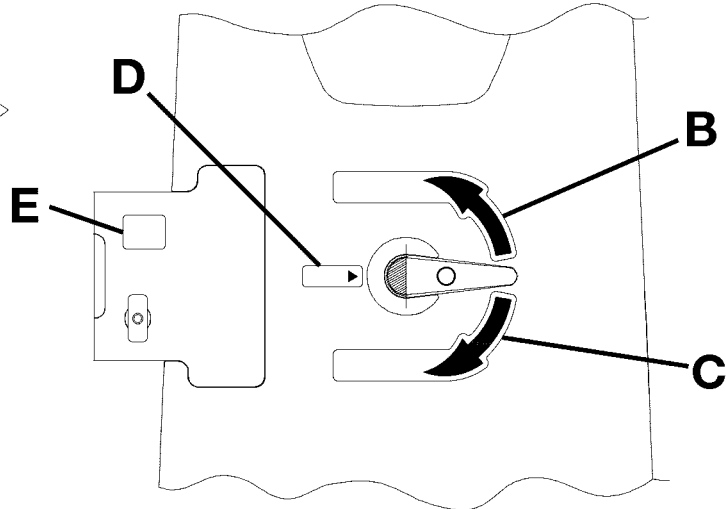
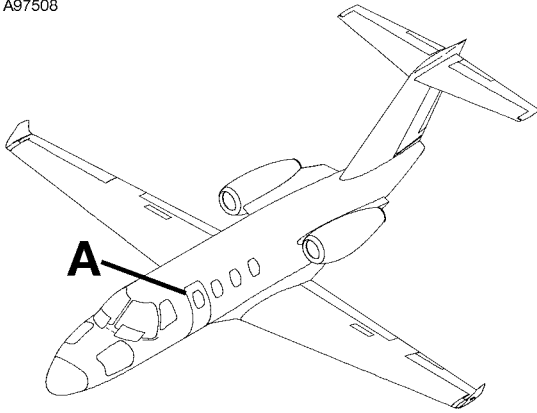
CESSNA®  
**MODEL 525 (SERIALS -0685 AND -0800 AND ON)**  
 ILLUSTRATED PARTS CATALOG

FIG ITEM	PART NUMBER	NOMENCLATURE	UNITS PER ASSY	
			1 2 3 4 5 6 7	
02				
-		DANISH EXTERIOR PLACARDS AND MARKINGS - AFT BAGGAGE	0857	& ON RF R
1	4416004-58	. PLACARD-MAX BAGGAGE WEIGHT 325LB . . . . .		01 R
		ATTACHING PARTS		
- 2	MS35214-14	. SCREW . . . . .		04 R
- 3	MS21069L04	. NUTPLATE . . . . .		04 R
		—*—		

- ITEM NOT ILLUSTRATED

CESSNA®  
**MODEL 525 (SERIALS -0685 AND -0800 AND ON)**  
 ILLUSTRATED PARTS CATALOG

A97508



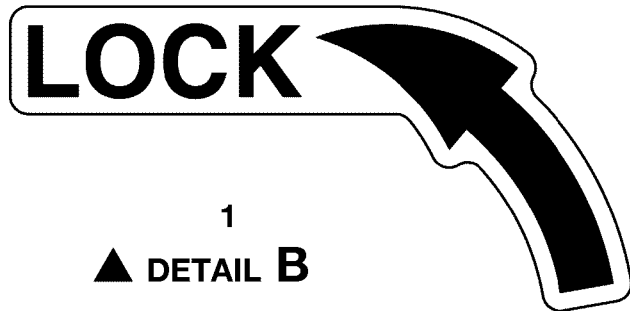
**DETAIL A**

(View Looking Inboard at Entry Door)

**DOOR CATCH  
 RELEASE INSIDE  
 BEHIND THIS  
 PLACARD. RAISE  
 STEPS BEFORE  
 CLOSING DOOR.**

4

**DETAIL E**



1

▲ **DETAIL B**



3

▲ **DETAIL D**



2

▲ **DETAIL C**

▲ Required for Dispatch

6310T1168  
 A6319T1646

DANISH EXTERIOR PLACARDS AND MARKINGS - CABIN DOOR  
 FIGURE 01 (SHEET 1)

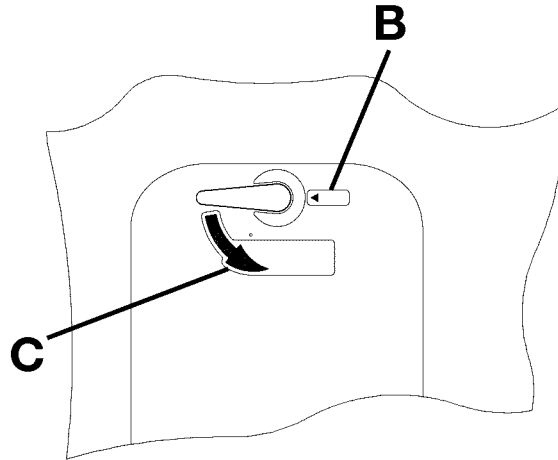
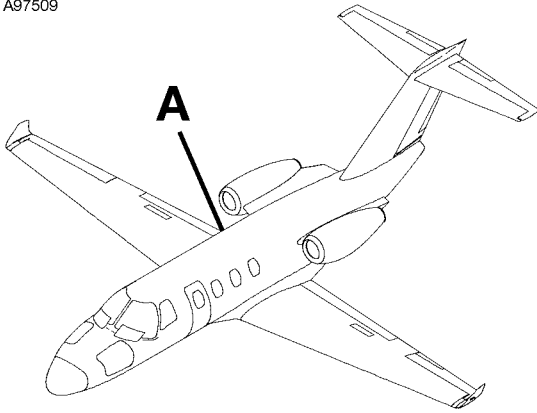
CESSNA®  
**MODEL 525 (SERIALS -0685 AND -0800 AND ON)**  
 ILLUSTRATED PARTS CATALOG

FIG ITEM	PART NUMBER	1 2 3 4 5 6 7	NOMENCLATURE	UNITS PER ASSY		
				0857	& ON	RF R
01			DANISH EXTERIOR PLACARDS AND MARKINGS - CABIN DOOR			
-						
1	4316002-16		. DECAL-LOCK . . . . .			01 R
2	4316002-17		. DECAL-OPEN . . . . .			01 R
3	4316002-15		. DECAL-PUSH . . . . .			01 R
4	4416000-172		. PLACARD-PRECATCH HANDLE . . . . .			01 R

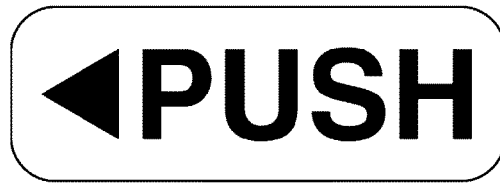
- ITEM NOT ILLUSTRATED

CESSNA®  
MODEL 525 (SERIALS -0685 AND -0800 AND ON)  
ILLUSTRATED PARTS CATALOG

A97509



**DETAIL A**  
Looking Inboard at Escape Hatch



2  
▲ **DETAIL B**



1  
▲ **DETAIL C**

▲ REQUIRED FOR DISPATCH

6310T1168  
A4711953-2

DANISH EXTERIOR PLACARDS AND MARKINGS - ESCAPE HATCH  
FIGURE 02 (SHEET 1)

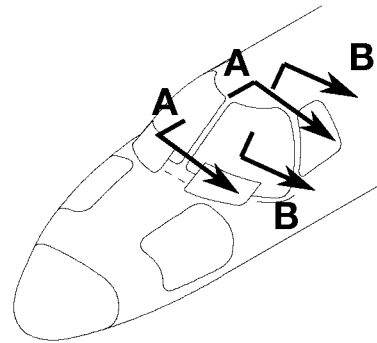
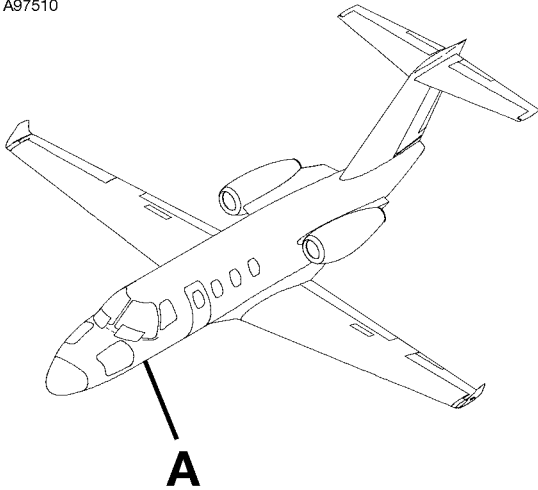
CESSNA®  
**MODEL 525 (SERIALS -0685 AND -0800 AND ON)**  
 ILLUSTRATED PARTS CATALOG

FIG ITEM	PART NUMBER	1 2 3 4 5 6 7	NOMENCLATURE	UNITS PER ASSY		
				0857	& ON	RF R
02			DANISH EXTERIOR PLACARDS AND MARKINGS - ESCAPE HATCH			
-						
1	4316002-1		. DECAL-EMERGENCY EXIT OPEN . . . . .			01 R
2	4316002-2		. DECAL-EMERGENCY EXIT PUSH . . . . .			01 R

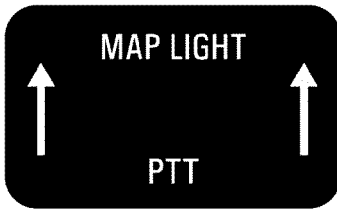
- ITEM NOT ILLUSTRATED

CESSNA®  
**MODEL 525 (SERIALS -0685 AND -0800 AND ON)**  
 ILLUSTRATED PARTS CATALOG

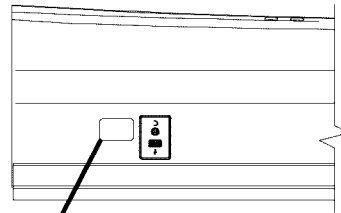
A97510



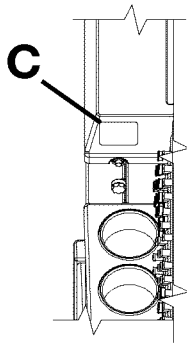
**DETAIL A**



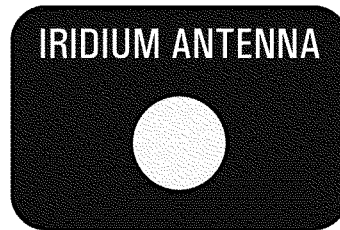
**2**  
**DETAIL C**



**B**  
**VIEW A-A**



**VIEW B-B**  
 View Looking at Left Hand Side Console



**1**  
**DETAIL B**

6310T1168  
 B6310T1168  
 AA6310T1183  
 BB6310T1184

DANISH INTERIOR PLACARDS AND MARKINGS - LH CONSOLE  
 FIGURE 04 (SHEET 1)



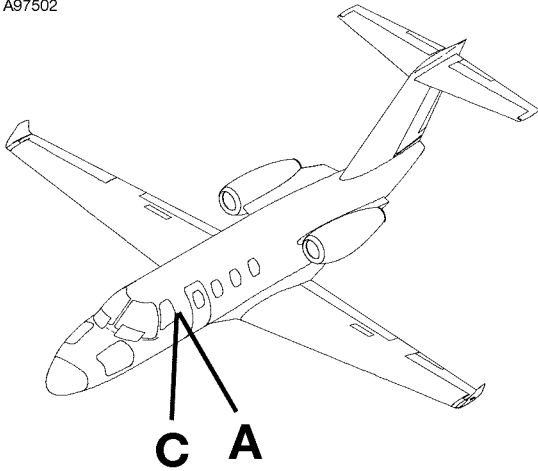
CESSNA®  
**MODEL 525 (SERIALS -0685 AND -0800 AND ON)**  
 ILLUSTRATED PARTS CATALOG

FIG ITEM	PART NUMBER	1 2 3 4 5 6 7	NOMENCLATURE	UNITS PER ASSY		
				0857	& ON	RF R
04			DANISH INTERIOR PLACARDS AND MARKINGS - LH CONSOLE			
-						
1	4316002-35		. PLACARD-IRIDIUM ANTENNA . . . . .			01 R
2	4316002-38		. PLACARD-MAP LIGHT . . . . .			02 R

- ITEM NOT ILLUSTRATED

CESSNA®  
**MODEL 525 (SERIALS -0685 AND -0800 AND ON)**  
 ILLUSTRATED PARTS CATALOG

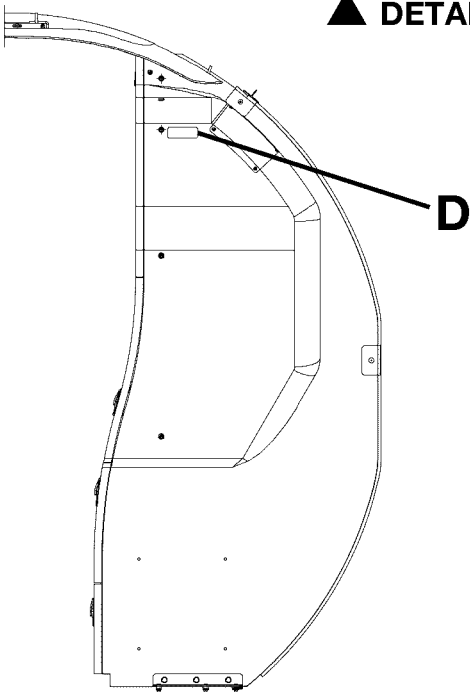
A97502



STOW CURTAIN FOR  
 TAXI, TAKEOFF, AND LANDING.

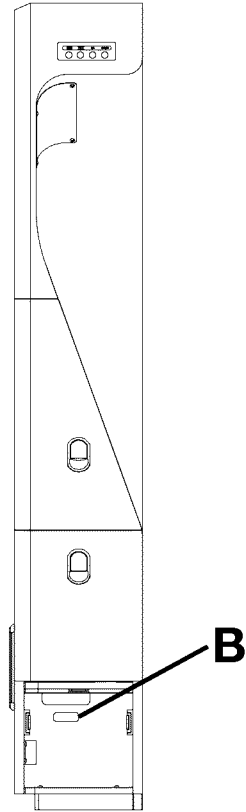
2

▲ **DETAIL D**



**DETAIL C**

Looking Aft at Left Hand Cabinet Assembly



**DETAIL A**

CABIN BRIEFER  
 PROGRAM LOAD PORT

1

**DETAIL B**

▲ Required for Dispatch

DANISH INTERIOR PLACARDS AND MARKINGS - FLIGHT COMPARTMENT  
 FIGURE 05 (SHEET 1)

6310T1168  
 A471T1953  
 C471T1953

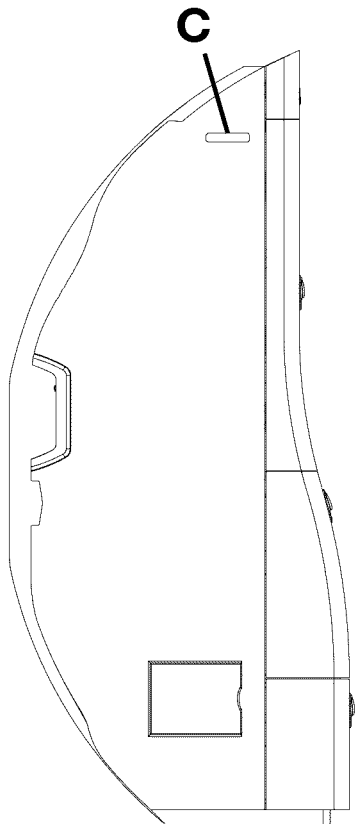
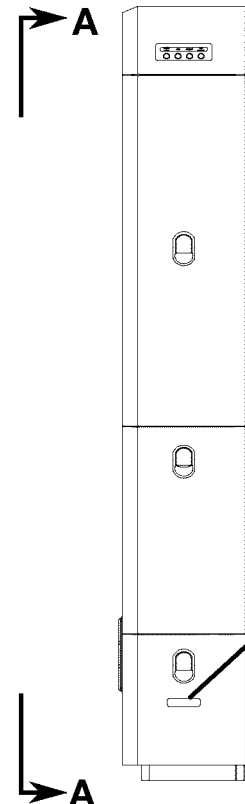
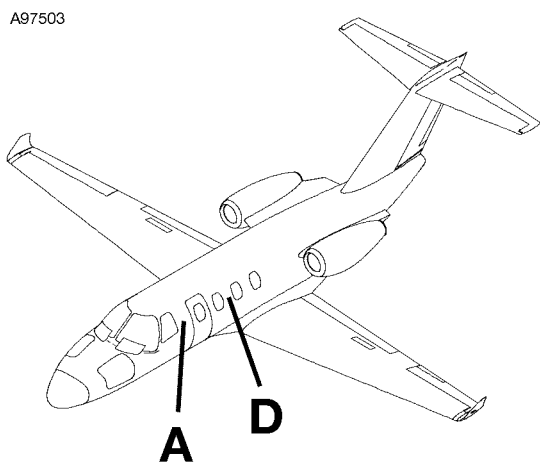
CESSNA®  
**MODEL 525 (SERIALS -0685 AND -0800 AND ON)**  
 ILLUSTRATED PARTS CATALOG

FIG ITEM	PART NUMBER	1 2 3 4 5 6 7	NOMENCLATURE	UNITS PER ASSY		
05			DANISH INTERIOR PLACARDS AND MARKINGS - FLIGHT COMPARTMENT	0857	& ON	RF R
-			. PLACARD-CABIN BRIEFER PORT . . . . .			01 R
1	4316002-40		. PLACARD-CURTAIN STOWAGE . . . . .			01 R
2	4316002-8					

- ITEM NOT ILLUSTRATED

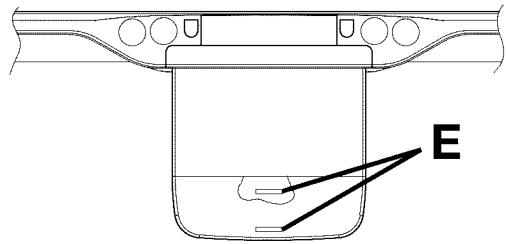
CESSNA®  
**MODEL 525 (SERIALS -0685 AND -0800 AND ON)**  
 ILLUSTRATED PARTS CATALOG

A97503



**STOW FOR TAXI, TAKEOFF, AND LANDING.**

**3**  
 ▲ **DETAIL E**



**DETAIL D**

Looking Down on Right Hand Side Deployed Table,  
 Left Hand Side Opposite

**DETAIL A**

**VIEW A-A**

**CLOSE ALL CABINET DOORS AND DRAWERS  
 FOR TAXI, TAKEOFF, AND LANDING.**

**2**  
 ▲ **DETAIL C**

**NO CIGARETTE DISPOSAL;  
 METAL TRASH LINER REQUIRED.**

**1**  
 ▲ **DETAIL B**

▲ Required for Dispatch

6310T1168  
 A6320T1021  
 AA6320T1021  
 D6320T1021

DANISH INTERIOR PLACARDS AND MARKINGS - FORWARD CABIN  
 FIGURE 01 (SHEET 1)

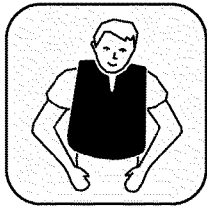
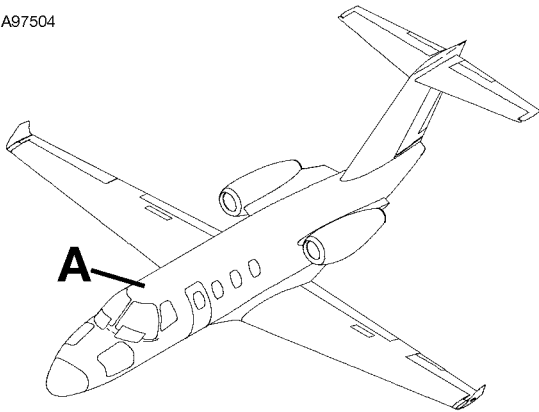
CESSNA®  
**MODEL 525 (SERIALS -0685 AND -0800 AND ON)**  
 ILLUSTRATED PARTS CATALOG

FIG ITEM	PART NUMBER	1 2 3 4 5 6 7	NOMENCLATURE	UNITS PER ASSY		
01						
-			DANISH INTERIOR PLACARDS AND MARKINGS - FORWARD CABIN	0857	& ON	RF R
1	4316002-20		. PLACARD-TRASH CONTAINER . . . . .			01 R
2	4316002-23		. PLACARD-CABINET DOOR INSTRUCTIONS . . . . .			01 R
3	4316002-200		. PLACARD-TABLE INSTRUCTIONS . . . . .			04 R

- ITEM NOT ILLUSTRATED

CESSNA®  
**MODEL 525 (SERIALS -0685 AND -0800 AND ON)**  
 ILLUSTRATED PARTS CATALOG

A97504



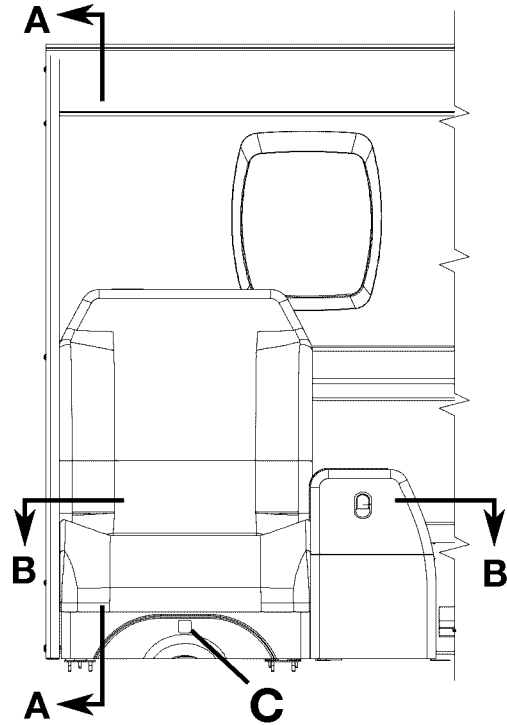
79

▲ **DETAIL C**



77

▲ **DETAIL D**



**DETAIL A**

Looking Outboard at Side Facing Seat

**FASTEN SHOULDER HARNESS FOR TAXI, TAKEOFF, AND LANDING.**

76

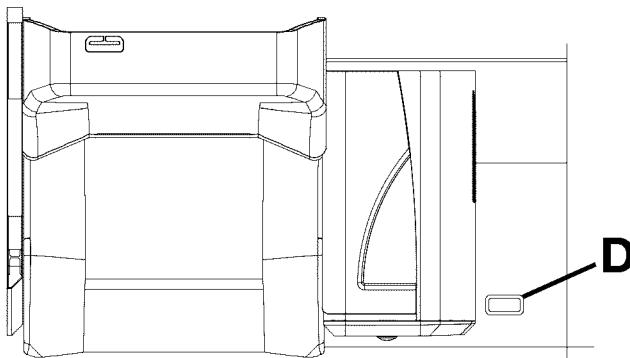
▲ **DETAIL B**

**FASTEN SHOULDER HARNESS FOR TAXI, TAKEOFF, AND LANDING**

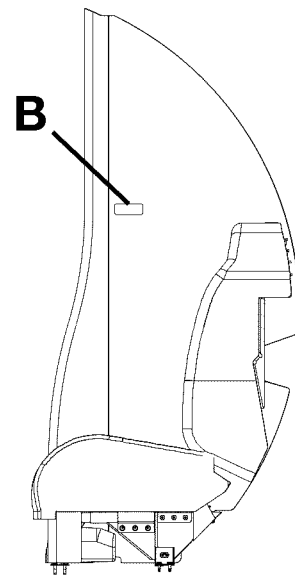
**LIFE VEST IN SEAT BASE.**

75

▲ **DETAIL B**



**VIEW B-B**



**VIEW A-A**

6310T1168  
 A6320T1021  
 AA6320T1021  
 BB6320T1021

▲ Required for Dispatch

DANISH INTERIOR PLACARDS AND MARKINGS - FORWARD CABIN  
 FIGURE 01 (SHEET 2)

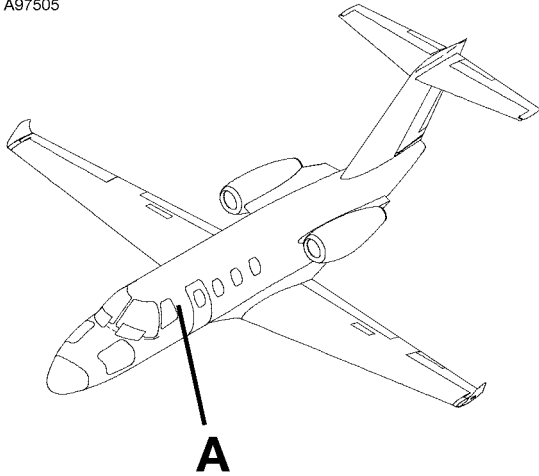
CESSNA®  
**MODEL 525 (SERIALS -0685 AND -0800 AND ON)**  
 ILLUSTRATED PARTS CATALOG

FIG ITEM	PART NUMBER	NOMENCLATURE	UNITS PER ASSY
	1 2 3 4 5 6 7		
01			
75	4316002-21	. PLACARD-SIDE FACING SEAT INSTRUCTIONS . . . . .	01 R
76	4316002-44	. PLACARD-SIDE FACING SEAT INSTRUCTIONS W/O ARMREST . . . . .	01 R
77	4316002-24	. PLACARD-AIR INLET . . . . .	01 R
- 78	4717018-3	. PLACARD-COVER . . . . .	01 R
79	4316002-32	. PLACARD-LIFE VEST . . . . .	01 R

- ITEM NOT ILLUSTRATED

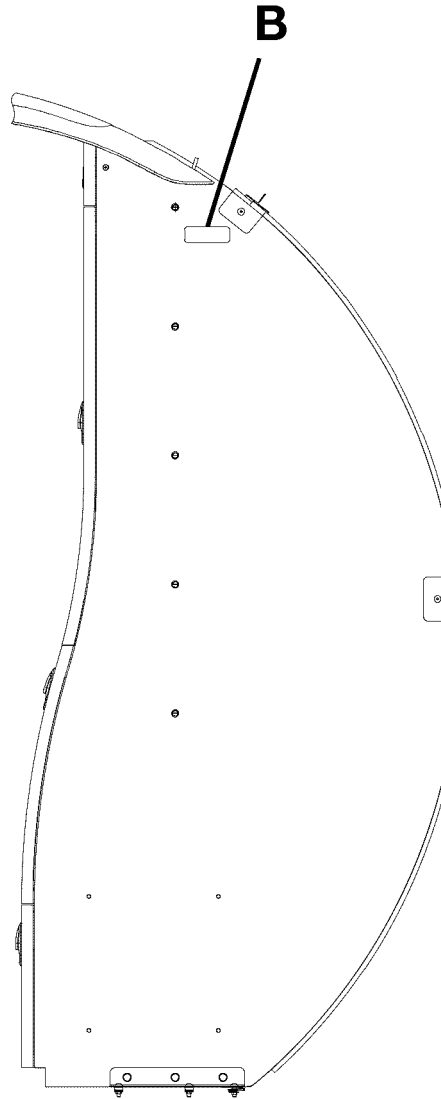
CESSNA®  
**MODEL 525 (SERIALS -0685 AND -0800 AND ON)**  
ILLUSTRATED PARTS CATALOG

A97505



**STOW CURTAIN FOR  
TAXI, TAKEOFF, AND LANDING.**

**150**  
**▲ DETAIL B**



**DETAIL A**

View Looking Aft at Left Hand Side  
Forward Refreshment Center

**▲ Required for Dispatch**

DANISH INTERIOR PLACARDS AND MARKINGS - FORWARD CABIN  
FIGURE 01 (SHEET 3)

6310T1168  
A4711953-25



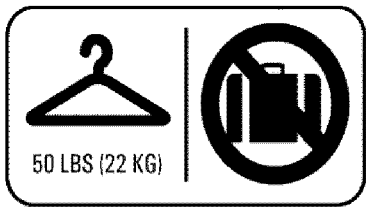
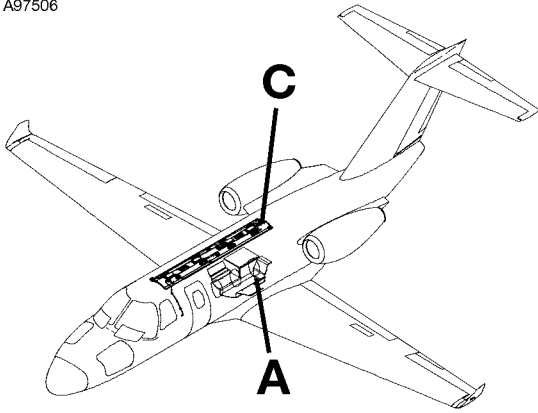
CESSNA®  
**MODEL 525 (SERIALS -0685 AND -0800 AND ON)**  
 ILLUSTRATED PARTS CATALOG

FIG ITEM	PART NUMBER	1 2 3 4 5 6 7	NOMENCLATURE	UNITS
				PER ASSY
01 150	4316002-8		. PLACARD-CURTAIN INSTRUCTIONS . . . . .	01 R

- ITEM NOT ILLUSTRATED

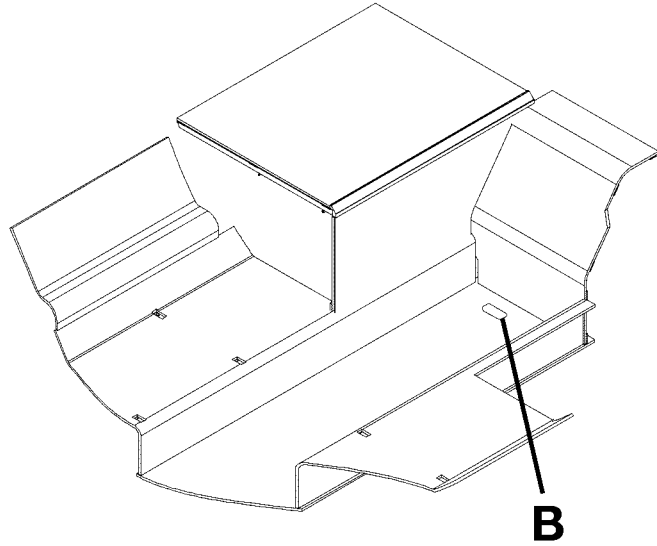
CESSNA®  
**MODEL 525 (SERIALS -0685 AND -0800 AND ON)**  
 ILLUSTRATED PARTS CATALOG

A97506

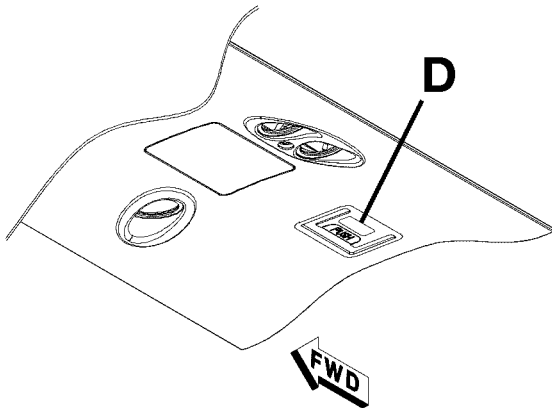


3

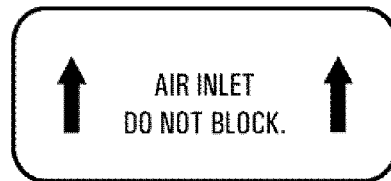
▲ **DETAIL D**



**DETAIL A**



**DETAIL C**



1

**DETAIL B**

▲ Required for Dispatch

6310T1168  
 A6312T1217  
 C6312T1218

DANISH INTERIOR PLACARDS AND MARKINGS - AFT CABIN  
 FIGURE 02 (SHEET 1)

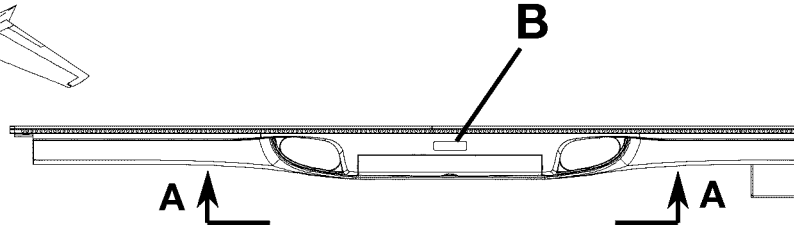
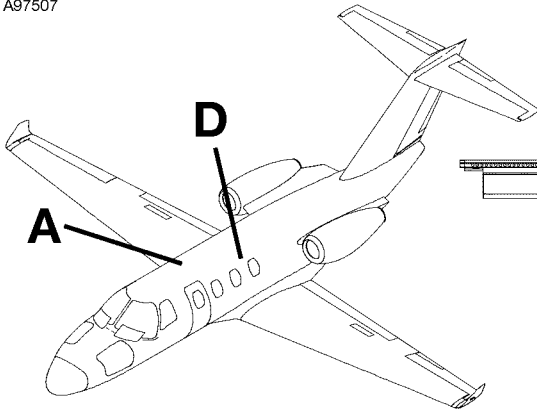
CESSNA®  
**MODEL 525 (SERIALS -0685 AND -0800 AND ON)**  
 ILLUSTRATED PARTS CATALOG

FIG ITEM	PART NUMBER	1 2 3 4 5 6 7	NOMENCLATURE	UNITS PER ASSY		
				0857	& ON	RF R
02			DANISH INTERIOR PLACARDS AND MARKINGS - AFT CABIN			
-						
1	4316002-24		. PLACARD-AIR INLET . . . . .			01 R
- 2	4717018-3		. PLACARD-COVER . . . . .			01 R
3	4316002-34		. PLACARD-COAT ROD . . . . .			01 R

- ITEM NOT ILLUSTRATED

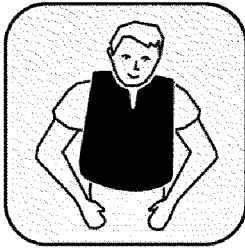
CESSNA®  
**MODEL 525 (SERIALS -0685 AND -0800 AND ON)**  
 ILLUSTRATED PARTS CATALOG

A97507



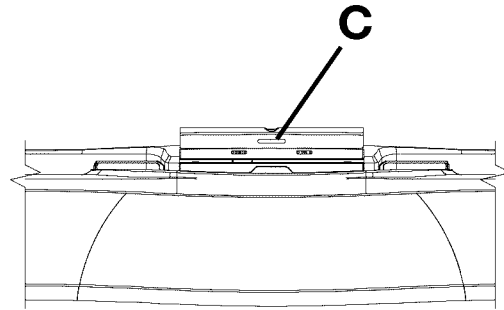
**DETAIL A**

Looking Down on Right Hand Sideledge



3

▲ **DETAIL E**



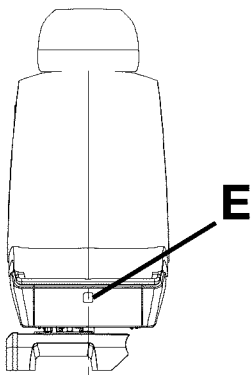
**VIEW A-A**

Table Lid Shown in Upright Position

**FOR TAXI, TAKEOFF, AND LANDING: RAISE SEAT BACK; EXTEND HEADREST; TRACK SEAT TOWARD FRONT OF AIRCRAFT THEN OUTBOARD; FASTEN SHOULDER HARNESS.**

1

▲ **DETAIL B**



**DETAIL D**

**CLOSE LID FOR TAXI, TAKEOFF, AND LANDING.**

2

▲ **DETAIL C**

▲ Required for Dispatch

6310T1168  
 A6319T1647  
 AA6319T1647  
 D6319T1648

DANISH INTERIOR PLACARDS AND MARKINGS - CABIN SEATS  
 FIGURE 04 (SHEET 1)

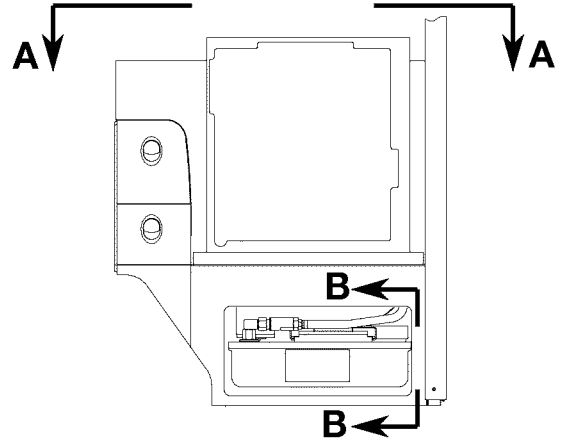
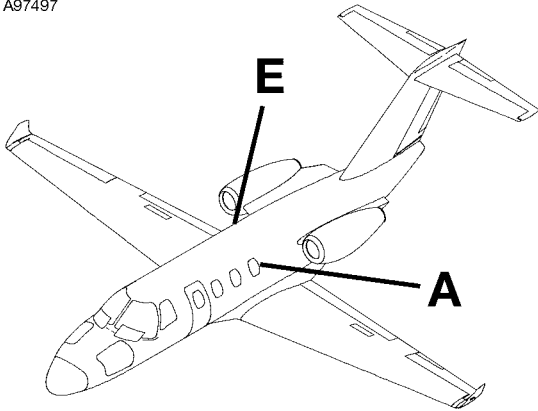
CESSNA®  
**MODEL 525 (SERIALS -0685 AND -0800 AND ON)**  
 ILLUSTRATED PARTS CATALOG

FIG ITEM	PART NUMBER	1 2 3 4 5 6 7	NOMENCLATURE	UNITS PER ASSY		
				0857	& ON	RF R
04			DANISH INTERIOR PLACARDS AND MARKINGS - CABIN SEATS			
-						
1	4316002-46		. PLACARD-SEAT INSTRUCTIONS . . . . .			02 R
- 1A	4316002-47		. PLACARD-SEAT INSTRUCTIONS OPTIONAL . . . . .			02 R
2	4316002-28		. PLACARD-TABLE LID INSTRUCTIONS . . . . .			02 R
3	4316002-32		. PLACARD-LIFEVEST . . . . .			04 R

- ITEM NOT ILLUSTRATED

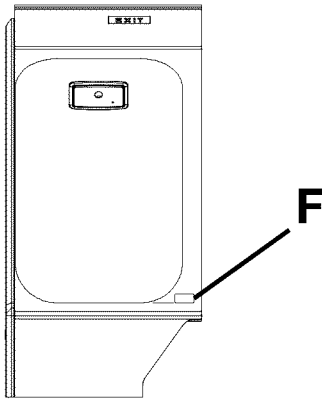
CESSNA®  
**MODEL 525 (SERIALS -0685 AND -0800 AND ON)**  
 ILLUSTRATED PARTS CATALOG

A97497



**DETAIL A**

View Looking Outboard



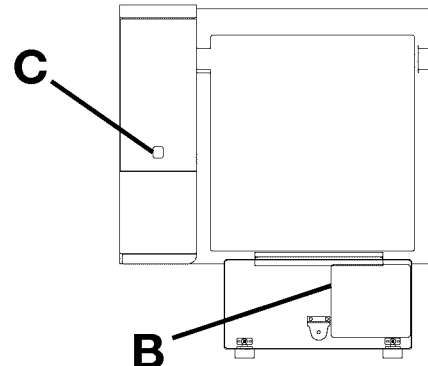
**DETAIL E**

View Looking Outboard



4

▲ **DETAIL F**

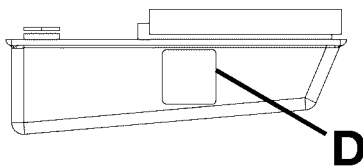


**VIEW A-A**

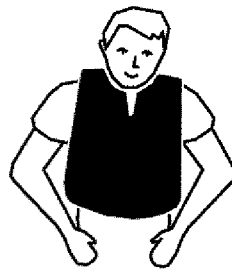
TOILET CHEMICAL  
 IS CORROSIVE.  
 USE EXTREME CARE  
 TO PREVENT SPILLAGE.  
 FOLLOW SERVICING  
 INSTRUCTIONS CAREFULLY.  
 CLEAN ANY SPILLAGE  
 IMMEDIATELY AND  
 REPORT IT TO THE CREW.

1

**DETAIL D**

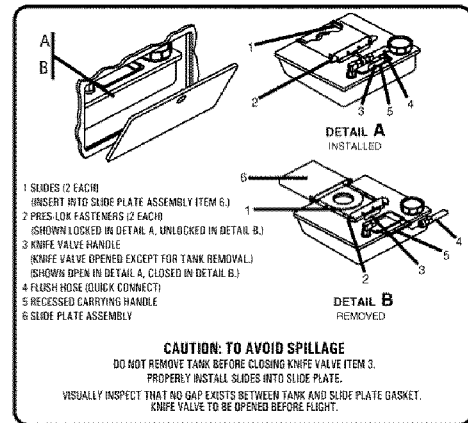


**VIEW B-B**



3

▲ **DETAIL C**



2

**DETAIL B**

6310T1168  
 A6319T1360  
 AA6319T1361  
 BB6319T1360  
 E6314T1662

▲ REQUIRED FOR DISPATCH

DANISH INTERIOR PLACARDS AND MARKINGS - LAVATORY  
 FIGURE 01 (SHEET 1)

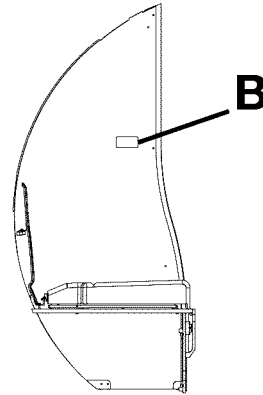
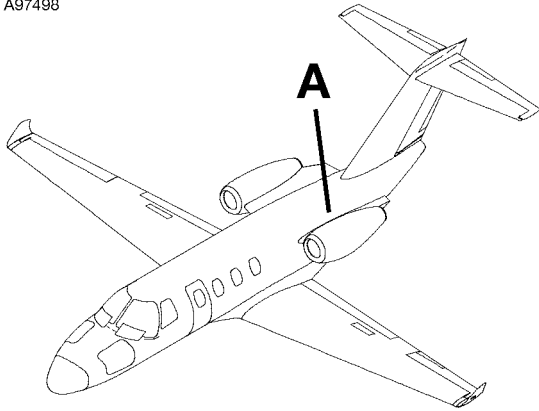
CESSNA®  
**MODEL 525 (SERIALS -0685 AND -0800 AND ON)**  
 ILLUSTRATED PARTS CATALOG

FIG ITEM	PART NUMBER	NOMENCLATURE	UNITS	
			PER	ASSY
01				
-		DANISH INTERIOR PLACARDS AND MARKINGS - LAVATORY	0857	& ON RF R
1	4316002-30	. PLACARD-TOILET CARE . . . . .		01 R
2	4316002-36	. PLACARD-TOILET SERVICING . . . . .		01 R
3	4316002-32	. PLACARD-LIFEVEST . . . . .		01 R
4	4316002-33	. PLACARD-NO SMOKING . . . . .		01 R

- ITEM NOT ILLUSTRATED

CESSNA®  
**MODEL 525 (SERIALS -0685 AND -0800 AND ON)**  
ILLUSTRATED PARTS CATALOG

A97498



**DETAIL A**

View Looking Forward at Left Hand Side  
Toilet Assembly and Left Hand Side Aft Divider

FOR TAXI, TAKEOFF, AND LANDING:  
LATCH SLIDING DOOR OPEN;  
CLOSE ALL CABINET DOORS AND DRAWERS;  
FASTEN SHOULDER HARNESS.

LIFE VEST IN SEAT CABINET.

75

▲ **DETAIL B**

FOR TAXI, TAKEOFF, AND LANDING:  
STOW CURTAIN;  
CLOSE ALL CABINET DOORS AND DRAWERS;  
FASTEN SHOULDER HARNESS.

77

▲ **DETAIL B**

FOR TAXI, TAKEOFF, AND LANDING:  
LATCH SLIDING DOOR OPEN;  
CLOSE ALL CABINET DOORS AND DRAWERS;  
FASTEN SHOULDER HARNESS.

76

▲ **DETAIL B**

▲ REQUIRED FOR DISPATCH

DANISH INTERIOR PLACARDS AND MARKINGS - LAVATORY  
FIGURE 01 (SHEET 2)

6310T1168  
A6319T1650



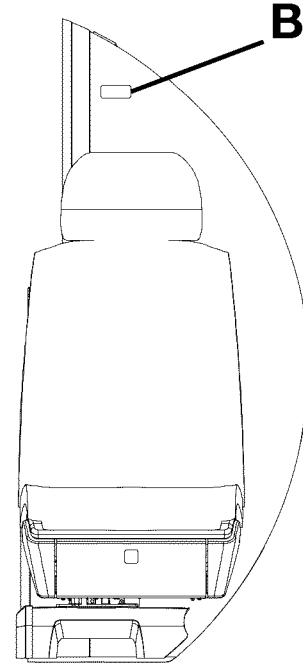
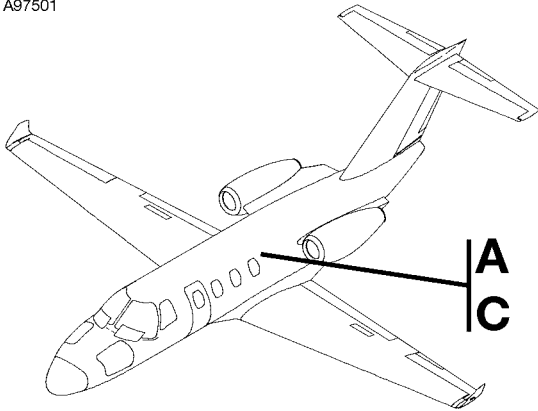
CESSNA®  
**MODEL 525 (SERIALS -0685 AND -0800 AND ON)**  
 ILLUSTRATED PARTS CATALOG

FIG ITEM	PART NUMBER	NOMENCLATURE	1 2 3 4 5 6 7							UNITS PER ASSY
01										
75	4316002-42	. PLACARD-LH BELTED TOILET INSTRUCTIONS (DOOR) . . . . .								01 R
76	4316002-43	. PLACARD-LH BELTED TOILET INSTRUCTIONS (DOOR) W/O LIFE VEST . . . . .								01 R
77	4316002-45	. PLACARD-LH BELTED TOILET INSTRUCTIONS (CURTAIN) . . . . .								01 R

- ITEM NOT ILLUSTRATED

CESSNA®  
**MODEL 525 (SERIALS -0685 AND -0800 AND ON)**  
 ILLUSTRATED PARTS CATALOG

A97501



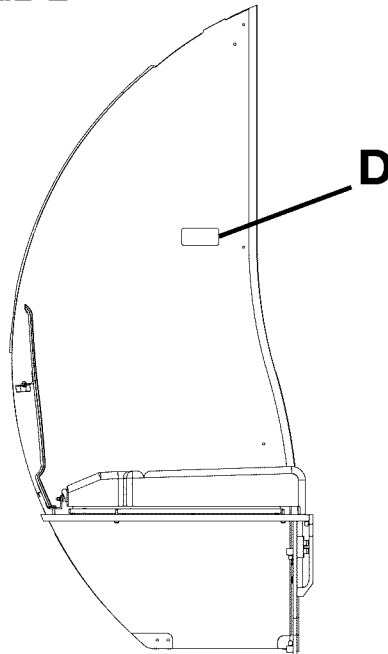
**FOR TAXI, TAKEOFF, AND LANDING:  
 STOW CURTAIN;  
 CLOSE ALL CABINET DOORS AND DRAWERS;  
 FASTEN SHOULDER HARNESS.  
 LIFE VEST IN SEAT CABINET.**

3

▲ **DETAIL D**

**DETAIL A**

Looking Aft



**NO SMOKING IN LAVATORY.  
 STOW CURTAIN  
 FOR TAXI, TAKEOFF, AND LANDING.**

1

▲ **DETAIL B**

**NO SMOKING IN LAVATORY.  
 LATCH SLIDING DOOR OPEN  
 FOR TAXI, TAKEOFF, AND LANDING.**

2

▲ **DETAIL B**

**DETAIL C**

Looking Forward

▲ Required for Dispatch

DANISH INTERIOR PLACARDS AND MARKINGS - DIVIDERS  
 FIGURE 02 (SHEET 1)

6310T1168  
 A6319T1649  
 C6319T1650

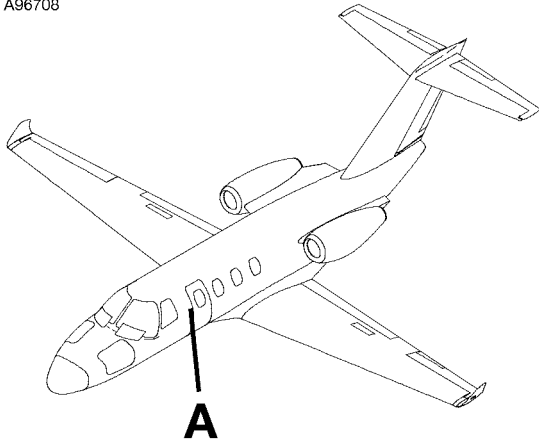
CESSNA®  
**MODEL 525 (SERIALS -0685 AND -0800 AND ON)**  
 ILLUSTRATED PARTS CATALOG

FIG ITEM	PART NUMBER	NOMENCLATURE	UNITS	
			PER	ASSY
02				
-		DANISH INTERIOR PLACARDS AND MARKINGS - DIVIDERS	0857	& ON RF R
1	4316002-25	. PLACARD-AFT CABIN INSTRUCTIONS . . . . .		01 R
2	4316002-41	. PLACARD-AFT CABIN INSTRUCTIONS (DOOR) . . . . .		01 R
3	4316002-29	. PLACARD-AFT CABIN INSTRUCTIONS . . . . .		01 R

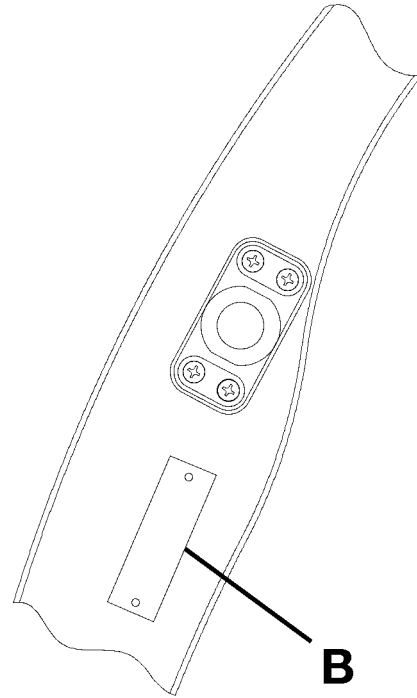
- ITEM NOT ILLUSTRATED

CESSNA®  
**MODEL 525 (SERIALS -0685 AND -0800 AND ON)**  
ILLUSTRATED PARTS CATALOG

A96708

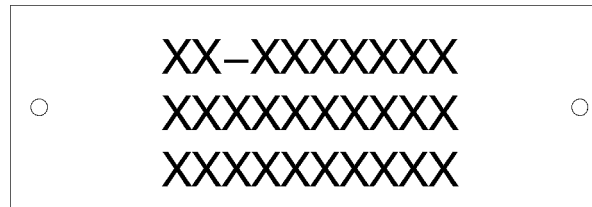


**A**



**B**

**DETAIL A**



1

**DETAIL B**

DANISH INTERIOR PLACARDS AND MARKINGS - CABIN DOOR  
FIGURE 01 (SHEET 1)

6310T1168  
A659T0008

CESSNA®  
**MODEL 525 (SERIALS -0685 AND -0800 AND ON)**  
 ILLUSTRATED PARTS CATALOG

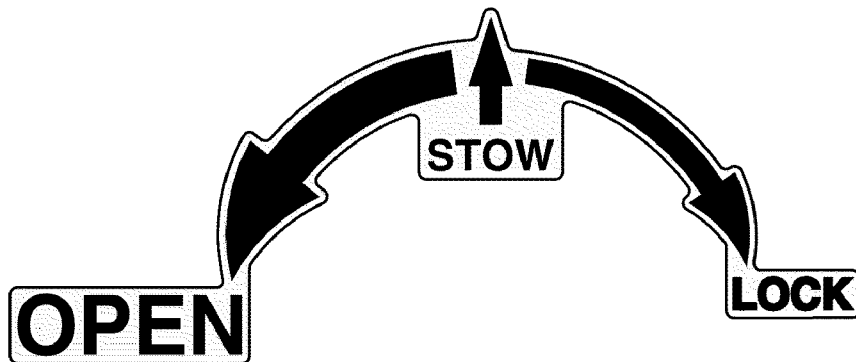
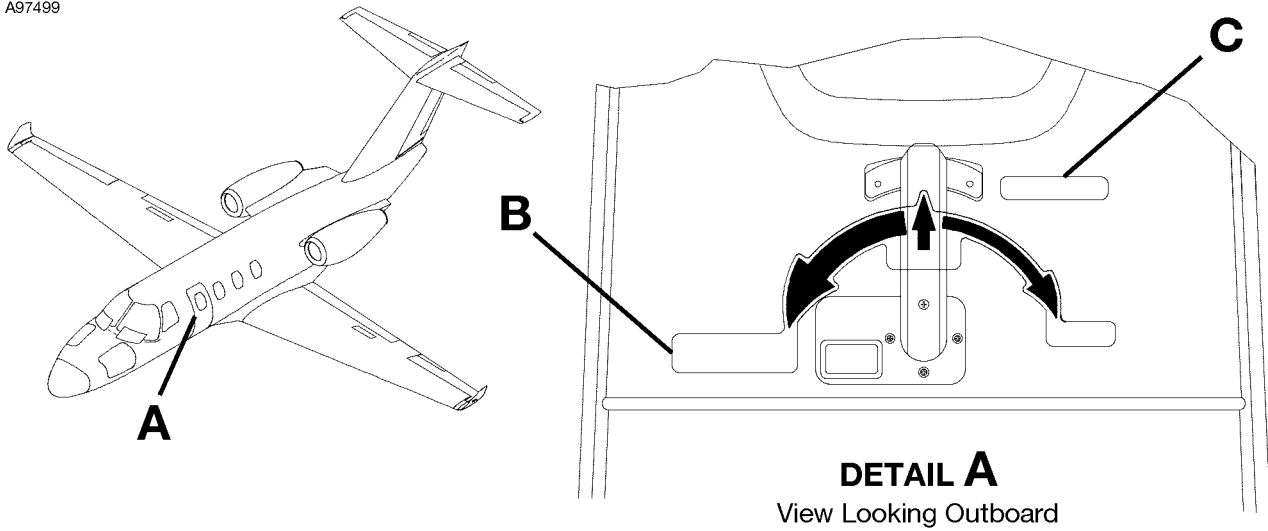
FIG ITEM	PART NUMBER	NOMENCLATURE	UNITS PER ASSY
	1 2 3 4 5 6 7		
01		DANISH INTERIOR PLACARDS AND MARKINGS - CABIN DOOR	0857 & ON RF
-			
1	6590008-65	. CERTIFICATION PLATE REFER TO NOTE 1 . . . . .	01

NOTE 1—WHEN ORDERING THIS PART, THE OWNER MUST SEND A NOTARIZED DOCUMENT STATING THE REASON FOR ORDERING A NEW ID PLATE, THE TYPE CERTIFICATE NUMBER, THE PRODUCTION CERTIFICATE NUMBER, THE ID PLATE NUMBER, AND THE MODEL NUMBER. THE OLD ID PLATE FROM THE AIRPLANE SHOULD BE ATTACHED TO THE ORDER, IF AVAILABLE. IF NOT ATTACHED, THE NEW PLATE WILL BE STAMPED DUPLICATE.

- ITEM NOT ILLUSTRATED

CESSNA®  
MODEL 525 (SERIALS -0685 AND -0800 AND ON)  
ILLUSTRATED PARTS CATALOG

A97499



75

▲ **DETAIL B**

**TO RELEASE: PUSH BUTTON,  
PULL TRIGGER ON HANDLE.**

76

▲ **DETAIL C**

▲ **REQUIRED FOR DISPATCH**

6310T1168  
A6319T1645

DANISH INTERIOR PLACARDS AND MARKINGS - CABIN DOOR  
FIGURE 01 (SHEET 2)

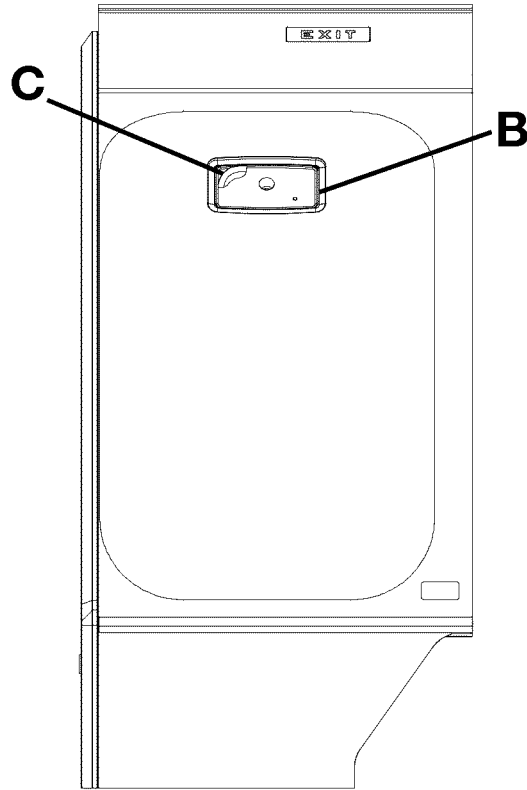
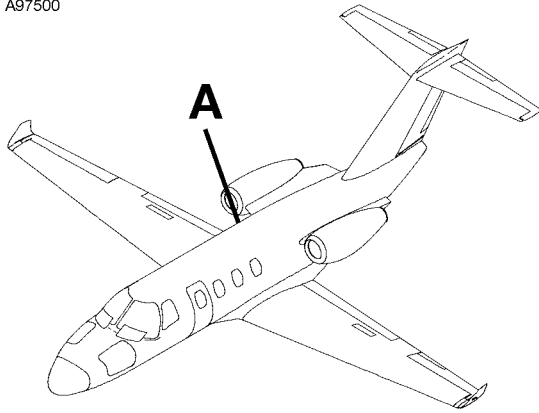
CESSNA®  
**MODEL 525 (SERIALS -0685 AND -0800 AND ON)**  
 ILLUSTRATED PARTS CATALOG

FIG ITEM	PART NUMBER	1 2 3 4 5 6 7	NOMENCLATURE	UNITS PER ASSY
01				
75	4316002-18		. DECAL-HANDLE OPERATION. . . . .	01 R
76	4316002-19		. DECAL-PUSH BUTTON . . . . .	01 R

- ITEM NOT ILLUSTRATED

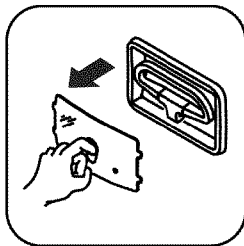
CESSNA®  
**MODEL 525 (SERIALS -0685 AND -0800 AND ON)**  
 ILLUSTRATED PARTS CATALOG

A97500



1

▲ **DETAIL E**



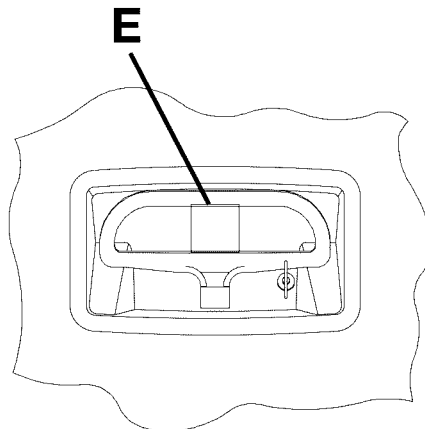
2

▲ **DETAIL D**

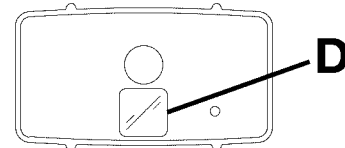
◀ **FWD**

**DETAIL A**

View Looking Outboard



**DETAIL C**



**DETAIL B**

▲ **REQUIRED FOR DISPATCH**

DANISH INTERIOR PLACARDS AND MARKINGS - ESCAPE HATCH  
 FIGURE 02 (SHEET 1)

6310T1168  
 A6310T1180  
 B6310T1180  
 C6310T1180



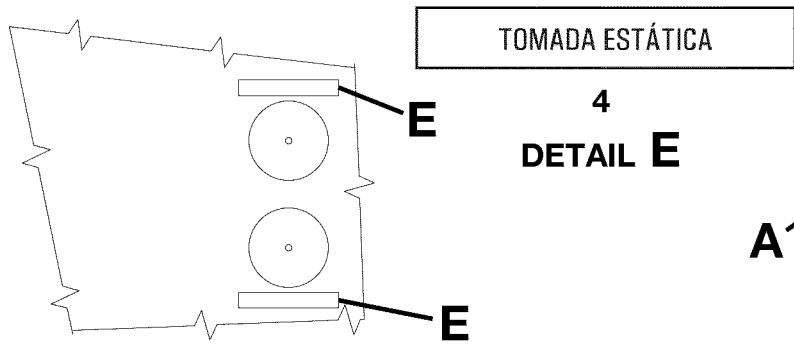
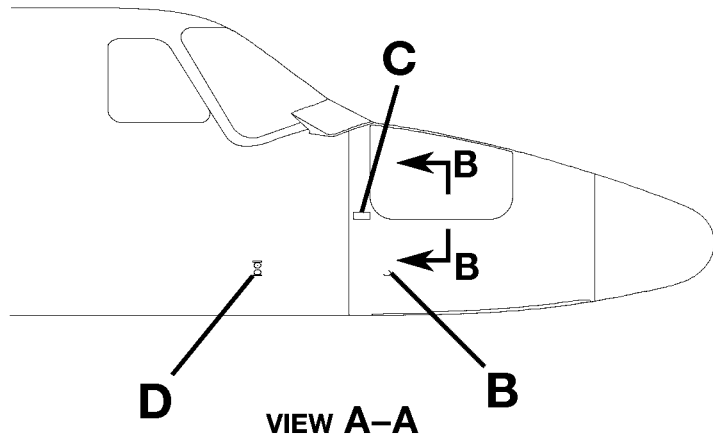
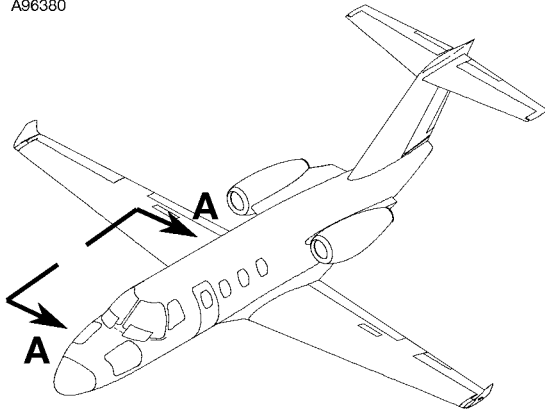
CESSNA®  
**MODEL 525 (SERIALS -0685 AND -0800 AND ON)**  
 ILLUSTRATED PARTS CATALOG

FIG ITEM	PART NUMBER	1 2 3 4 5 6 7	NOMENCLATURE	UNITS PER ASSY
02				
-			DANISH INTERIOR PLACARDS AND MARKINGS - ESCAPE HATCH	0857 & ON RF R
1	4316002-27		. PLACARD-OPEN .....	01 R
2	4316002-26		. PLACARD-REMOVE COVER .....	01 R

- ITEM NOT ILLUSTRATED

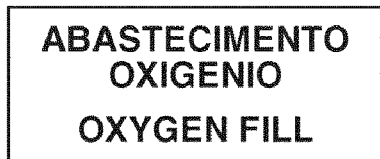
CESSNA®  
**MODEL 525 (SERIALS -0685 AND -0800 AND ON)**  
 ILLUSTRATED PARTS CATALOG

A96380



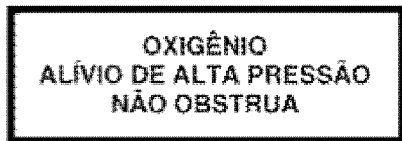
**DETAIL D**

Right Side Shown, Left Side Opposite



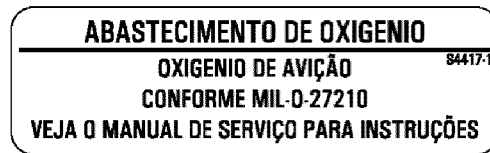
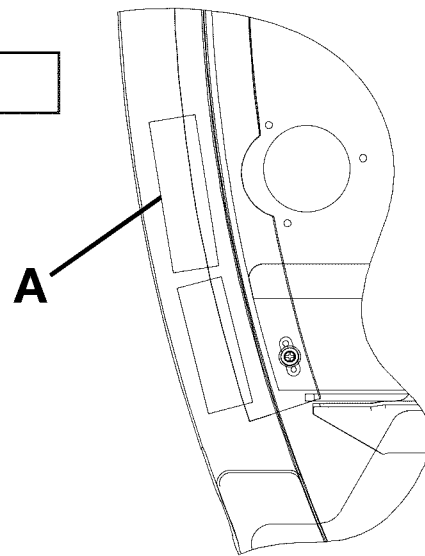
**3**

**DETAIL C**



**1**

**DETAIL B**



**2**

**DETAIL A**

BRAZILIAN EXTERIOR PLACARDS AND MARKINGS - FORWARD FUSELAGE  
 FIGURE 01 (SHEET 1)

6310T1168  
 AA6390T210-1  
 BB6390T210-1  
 D6390T210-1

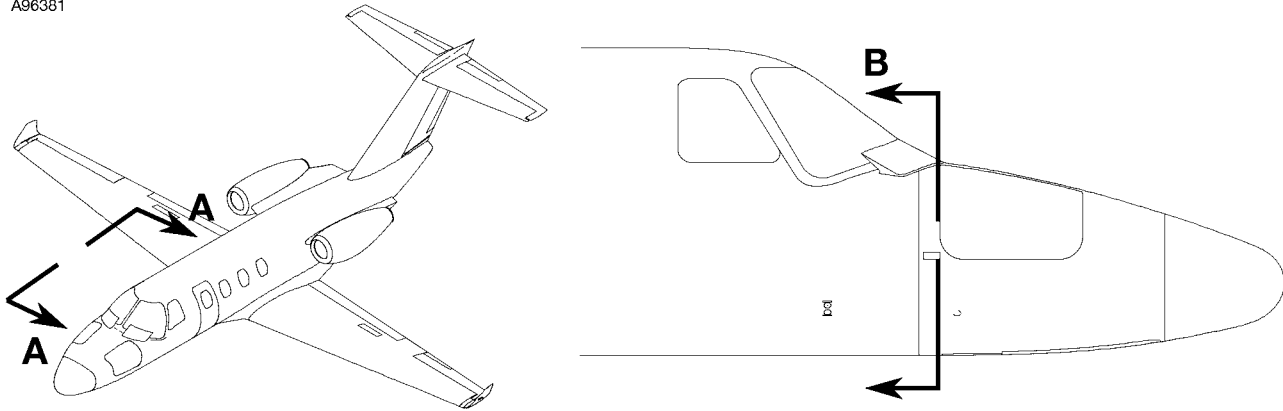
CESSNA®  
**MODEL 525 (SERIALS -0685 AND -0800 AND ON)**  
 ILLUSTRATED PARTS CATALOG

FIG ITEM	PART NUMBER	NOMENCLATURE	UNITS	
			PER	ASSY
01				
-		BRAZILIAN EXTERIOR PLACARDS AND MARKINGS - FORWARD FUSELAGE	0841	& ON RF
1	6219092-14	. DECAL-OXYGEN REFUEL . . . . .		01
2	S4417-1	. PLACARD-LABEL OXYGEN FILL . . . . .		01
3	6505019-5	. PLACARD-BILINGUAL OXYGEN FILL . . . . .		01
4	6219092-7	. PLACARD-STATIC PORT . . . . .		04

- ITEM NOT ILLUSTRATED

CESSNA®  
**MODEL 525 (SERIALS -0685 AND -0800 AND ON)**  
 ILLUSTRATED PARTS CATALOG

A96381



**VIEW A-A**

**NÍVEL BAIXO  
 DE FLUIDO DE FREIO  
 MIL-PRF-83282**  
S4417.5

**81  
 DETAIL E**

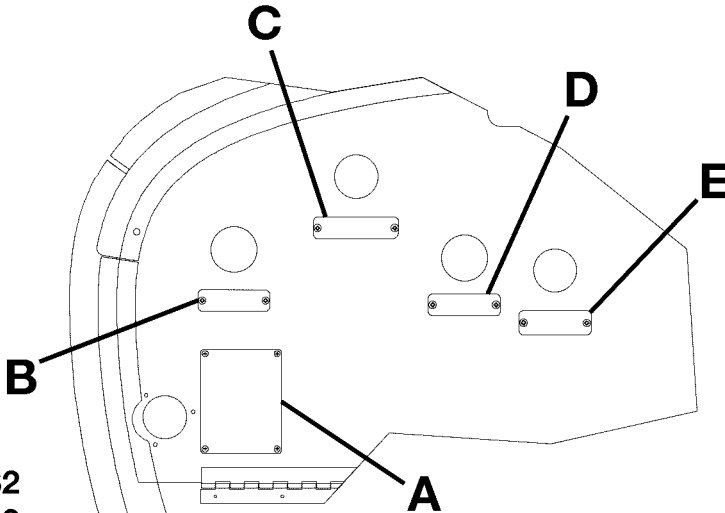
82  
83

**PORTA DE PREENCHIMENTO-  
 DE OXIGÊNIO  
 OXIGÊNIO DE AVIAÇÃO CONFORME MIL-0-27210  
 CONSULTE MANUAL DE SERVIÇO PARA  
 INSTRUÇÕES**

TEMPERATURA ESTABILIZADA °F(°C)	PRESSÃO DE ENCHIMENTO ± 50PSIG(345kPa)
-10(-23)	1,430(9860)
0(-18)	1,480(10204)
20(-7)	1,570(10825)
40(4)	1,680(11445)
60(16)	1,765(12100)
80(27)	1,845(12721)
100(38)	1,940(13376)
120(49)	2,030(13996)
140(80)	2,120(14617)

S4417.6

**75  
 DETAIL A**



**VIEW B-B**

**ACUMULADOR  
 DE CARGA DO SISTEMA DE  
 FREIO**  
S4417.2

**80  
 DETAIL D**

82  
83

**ÁLCOOL DO  
 PÁRA-BRISA**  
S4417.4

**78  
 DETAIL B**

**PRESSÃO PNEUMÁTICA DE  
 EMERGÊNCIA DOS SISTEMAS  
 DE FREIO E TREM DE POUSO**  
S4417.3

**79  
 DETAIL C**

82  
83

**BRAZILIAN EXTERIOR PLACARDS AND MARKINGS - FORWARD FUSELAGE  
 FIGURE 01 (SHEET 2)**

6310T1168  
 AA6390T210-1  
 BB6390T210-1

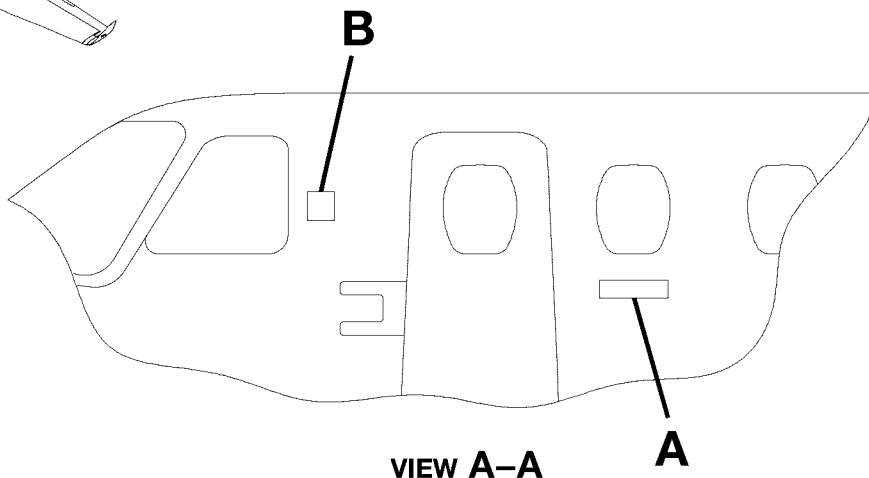
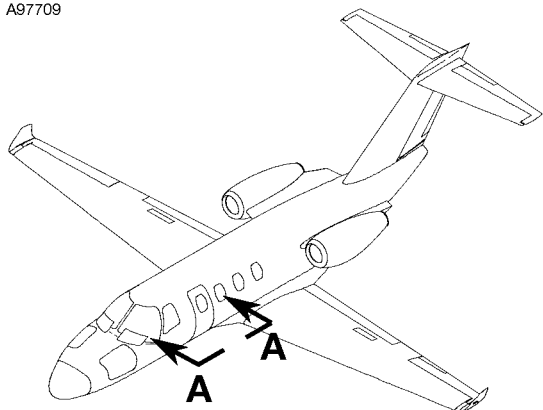
CESSNA®  
**MODEL 525 (SERIALS -0685 AND -0800 AND ON)**  
 ILLUSTRATED PARTS CATALOG

FIG ITEM	PART NUMBER	NOMENCLATURE	UNITS
			PER ASSY
01			
75	S4417-6	. PLACARD-OXYGEN . . . . . ATTACHING PARTS	01
76	S1021A4-8C	. SCREW . . . . .	04
77	S3230-1	. NUT . . . . . _*_	04
78	S4417-4	. PLACARD-ALCOHOL . . . . .	01
79	S4417-3	. PLACARD-GEAR AND BRAKE . . . . .	01
80	S4417-2	. PLACARD-BRAKE . . . . .	01
81	S4417-5	. PLACARD-BRAKE FLUID . . . . . ATTACHING PARTS	01
82	S1021A4-8C	. SCREW . . . . .	02
83	S3230-1	. NUT . . . . . _*_	02

- ITEM NOT ILLUSTRATED

CESSNA®  
MODEL 525 (SERIALS -0685 AND -0800 AND ON)  
ILLUSTRATED PARTS CATALOG

A97709



152  
DETAIL B

CITATION  
M2

150  
DETAIL A

BRAZILIAN EXTERIOR PLACARDS AND MARKINGS - FORWARD FUSELAGE  
FIGURE 01 (SHEET 3)

6310T1168  
AA6314T1174

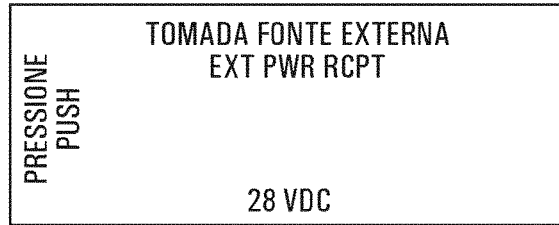
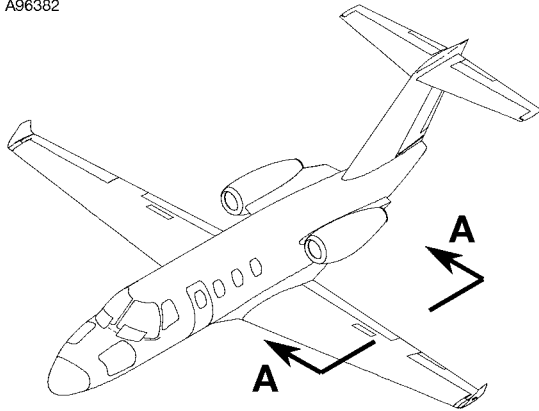
CESSNA®  
**MODEL 525 (SERIALS -0685 AND -0800 AND ON)**  
 ILLUSTRATED PARTS CATALOG

FIG ITEM	PART NUMBER	NOMENCLATURE	UNITS
			PER ASSY
01			
150	4416001-32	. DECAL-M2 INSIGNIA . . . . .	02 R
- 151	4416001-31	. PAINTMASK-M2 INSIGNIA . . . . .	01 R
152	6505010-124	. DECAL-CESSNA LOGO . . . . .	02 R
- 153	6505010-123	. PAINTMASK-CESSNA LOGO . . . . .	01 R

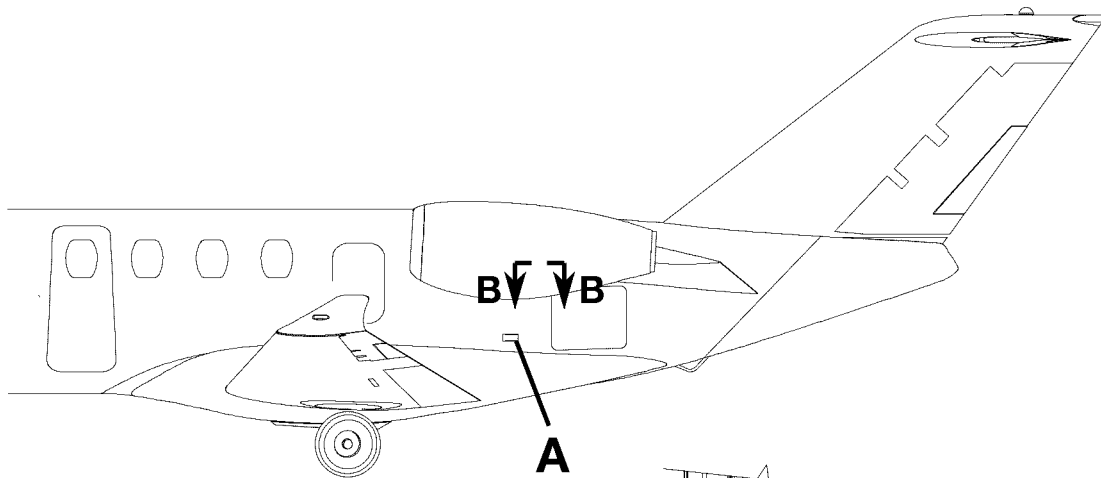
- ITEM NOT ILLUSTRATED

CESSNA®  
**MODEL 525 (SERIALS -0685 AND -0800 AND ON)**  
 ILLUSTRATED PARTS CATALOG

A96382



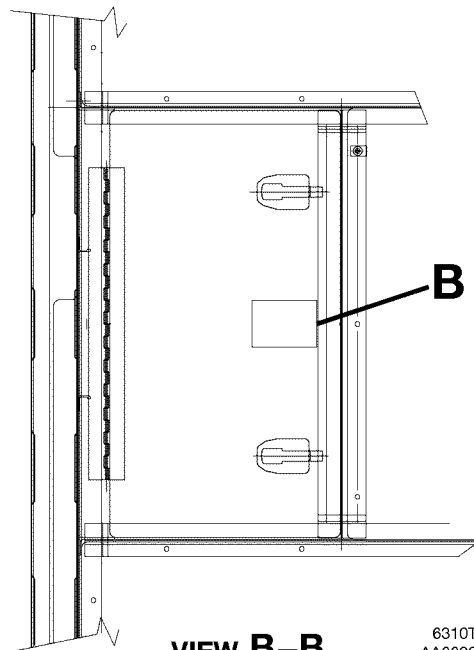
2  
**DETAIL A**



**VIEW A-A**

CBrF <sub>3</sub> -N <sub>2</sub> TEMP-PRESS TABELA DE RELAÇÃO <small>54417-7</small>		
TEMPERATURA GRAUS F/C	PRESSÃO MÍNIMA ADMISSIVEL	PRESSÃO MÁXIMA ADMISSIVEL
-60/(-51)	267	343
-40/(-40)	292	370
-20/(-29)	320	400
0/(-18)	355	437
20/(-7)	396	486
40/(4)	449	540
60/(16)	518	618
80/(27)	593	702
100/(38)	670	784
120/(49)	755	885
160/(71)	957	1091

1  
**DETAIL B**



**VIEW B-B**

6310T1168  
 AA6690T210  
 BB6690T210

BRAZILIAN EXTERIOR PLACARDS AND MARKINGS - EMPENNAGE  
 FIGURE 01 (SHEET 1)



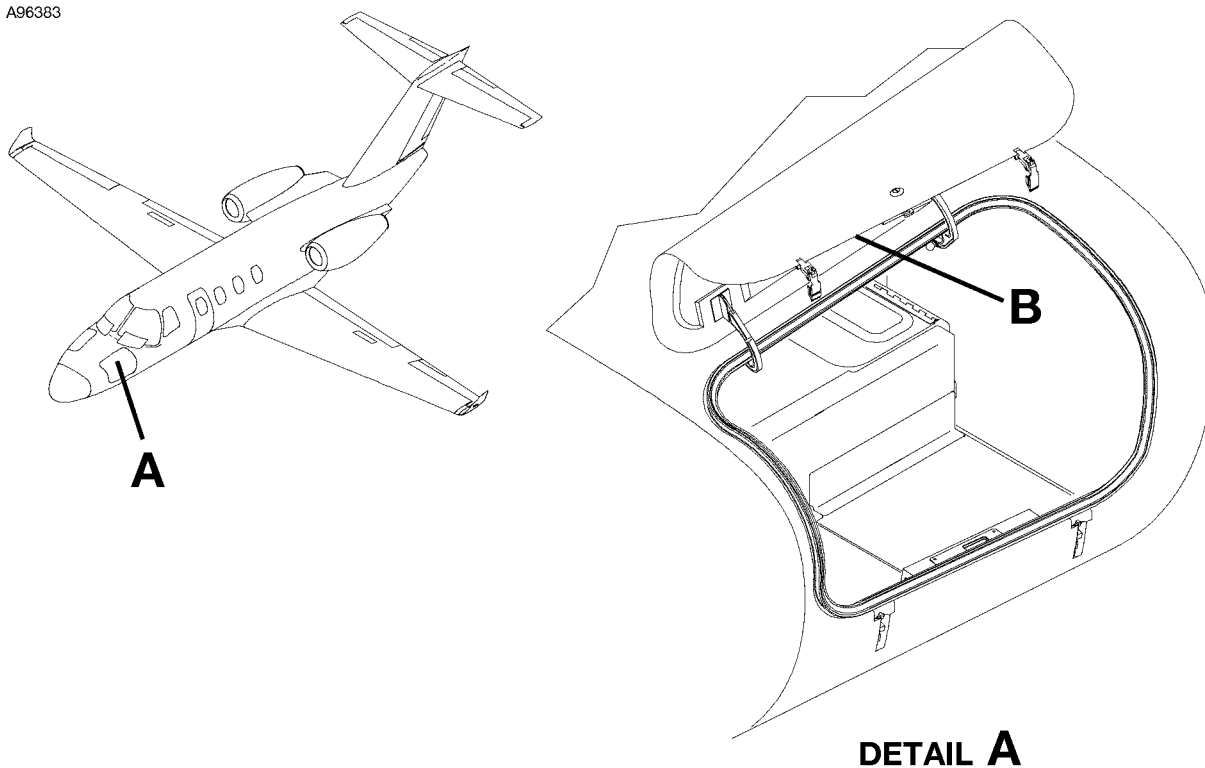
CESSNA®  
**MODEL 525 (SERIALS -0685 AND -0800 AND ON)**  
 ILLUSTRATED PARTS CATALOG

FIG ITEM	PART NUMBER	NOMENCLATURE	UNITS PER ASSY		
			1	2	3
01					
-		BRAZILIAN EXTERIOR PLACARDS AND MARKINGS - EMPENNAGE	0841	& ON	RF R
1	S4417-7	. PLACARD-FIRE BOTTLE TEMPERATURE .....			01 R
2	6519315-43	. DECAL-EXTERNAL POWER. ....			01 R

- ITEM NOT ILLUSTRATED

CESSNA®  
**MODEL 525 (SERIALS -0685 AND -0800 AND ON)**  
ILLUSTRATED PARTS CATALOG

A96383



PESO MÁXIMO  
181 KG (400 LBS).  
PESO MÁXIMO NO PISO  
170 KG/M<sup>2</sup> (35 LBS/FT<sup>2</sup>).

PARA PESO E BALANCEAMENTO  
VEJA MANUAL DE VÔO.

---

MAXIMUM WEIGHT ALLOWANCE  
400 LBS (181 KG).  
MAXIMUM FLOOR LOADING  
35 LBS/FT<sup>2</sup> (170 KG/M<sup>2</sup>).

SEE AFM FOR WEIGHT AND  
BALANCE DATA.

1

▲ **DETAIL B**

▲ Required for Dispatch

6310T1168  
A6313T1003

BRAZILIAN EXTERIOR PLACARDS AND MARKINGS - NOSE BAGGAGE  
FIGURE 02 (SHEET 1)

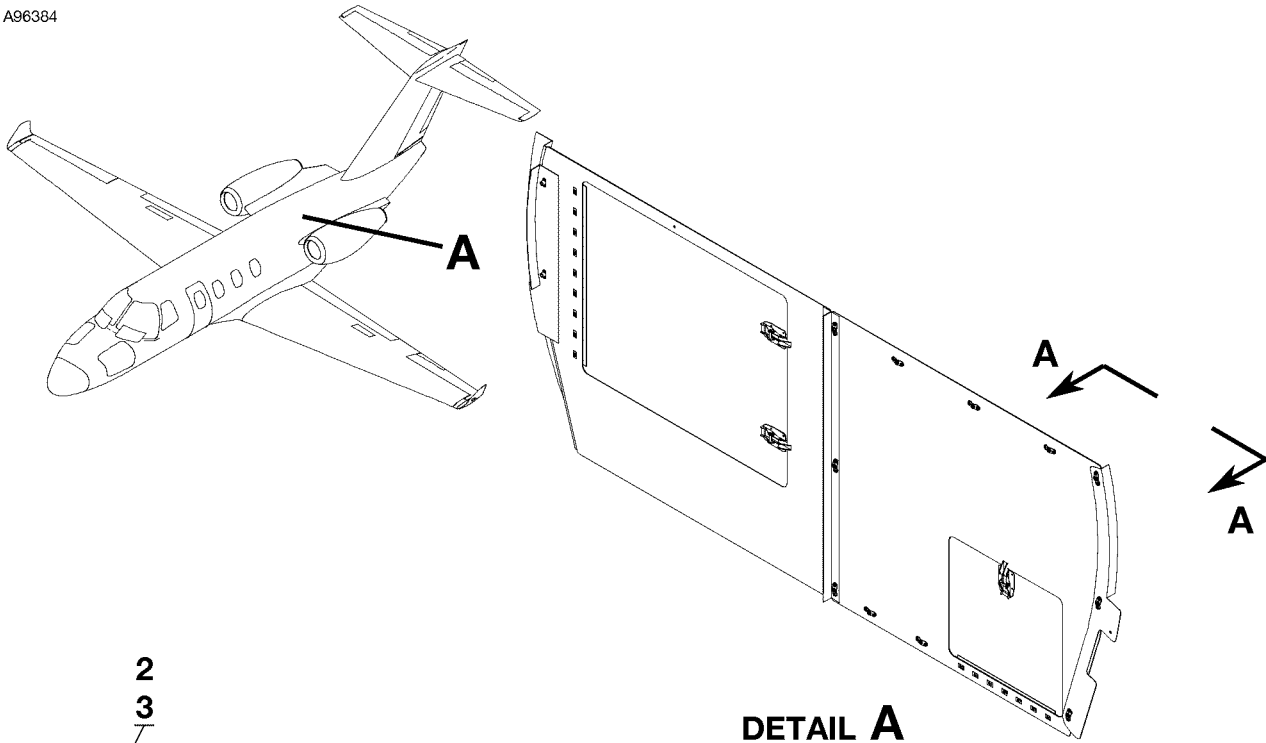
CESSNA®  
**MODEL 525 (SERIALS -0685 AND -0800 AND ON)**  
 ILLUSTRATED PARTS CATALOG

FIG ITEM	PART NUMBER	1 2 3 4 5 6 7	NOMENCLATURE	UNITS PER ASSY		
02						
-			BRAZILIAN EXTERIOR PLACARDS AND MARKINGS - NOSE BAGGAGE	0841	& ON	RF R
1	4516082-191		. PHOTOPLACARD-NOSE BAGGAGE WEIGHT . . . . .			02 R

- ITEM NOT ILLUSTRATED

CESSNA®  
**MODEL 525 (SERIALS -0685 AND -0800 AND ON)**  
 ILLUSTRATED PARTS CATALOG

A96384



2  
3

⊕ PESO MÁXIMO 147 KG (325 LBS).  
 PESO MÁXIMO NO PISO  
 488 KG/M<sup>2</sup> (100 LBS/FT<sup>2</sup>).  
 PARA PESO E BALANCEAMENTO VEJA  
 MANUAL DE VÔO.

AMARRE BAGAGEM COM REDE DE CARGA.

FECHE TODAS AS PORTAS ANTES DO VÔO.

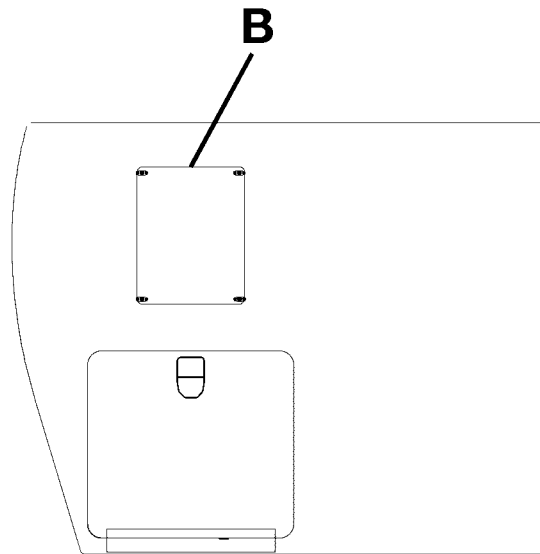
---

MAXIMUM WEIGHT ALLOWANCE  
 325 LBS (147 KG).  
 MAXIMUM FLOOR LOADING  
 100 LBS/FT<sup>2</sup> (488 KG/M<sup>2</sup>).  
 SEE AFM FOR WEIGHT AND BALANCE DATA.

SECURE BAGGAGE WITH STRAPS.

⊕ LATCH ALL DOORS PRIOR TO FLIGHT. ⊕

1  
 ▲ **DETAIL B**



**VIEW A-A**

▲ Required for Dispatch

BRAZILIAN EXTERIOR PLACARDS AND MARKINGS - TAILCONE BAGGAGE  
 FIGURE 03 (SHEET 1)

6310T1168  
 A6312T1192  
 AA4711T847

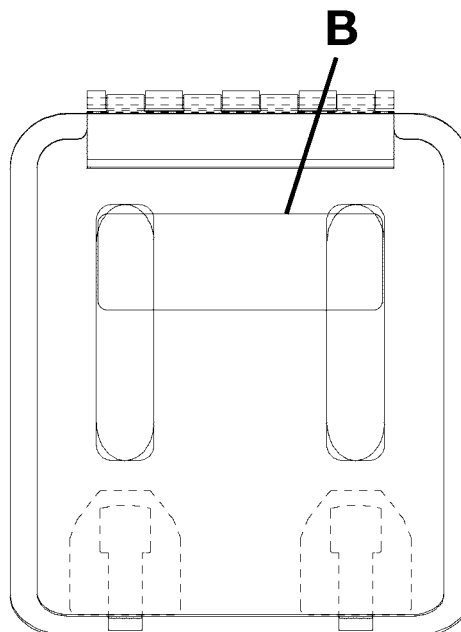
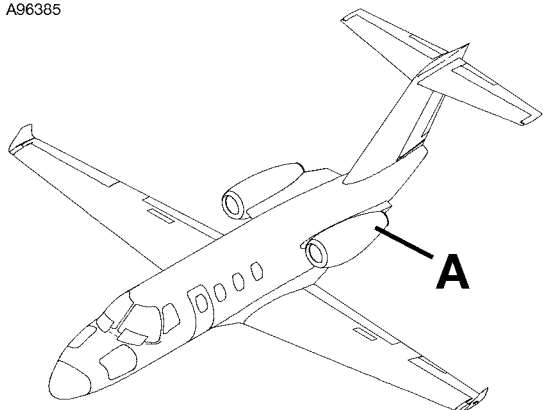
CESSNA®  
**MODEL 525 (SERIALS -0685 AND -0800 AND ON)**  
 ILLUSTRATED PARTS CATALOG

FIG ITEM	PART NUMBER	NOMENCLATURE	UNITS	
			PER	ASSY
03				
-		BRAZILIAN EXTERIOR PLACARDS AND MARKINGS - TAILCONE BAGGAGE	0841	& ON RF R
1	4716060-31	. PHOTOPLACARD-TAILCONE BAGGAGE WEIGHT . . . . .		01 R
		ATTACHING PARTS		
2	MS35214-14	. SCREW . . . . .		04 R
3	MS21069L04	. NUTPLATE . . . . .		04 R
		—*—		

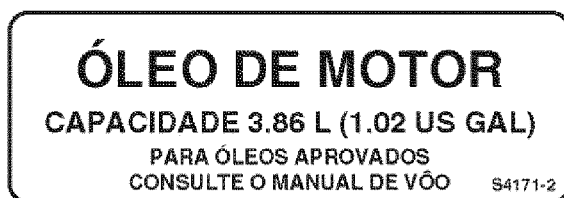
- ITEM NOT ILLUSTRATED

CESSNA®  
**MODEL 525 (SERIALS -0685 AND -0800 AND ON)**  
ILLUSTRATED PARTS CATALOG

A96385



**DETAIL A**



1  
**DETAIL B**

6310T1168  
A6390T210

BRAZILIAN EXTERIOR PLACARDS AND MARKINGS - NACELLES AND PYLONS  
FIGURE 01 (SHEET 1)

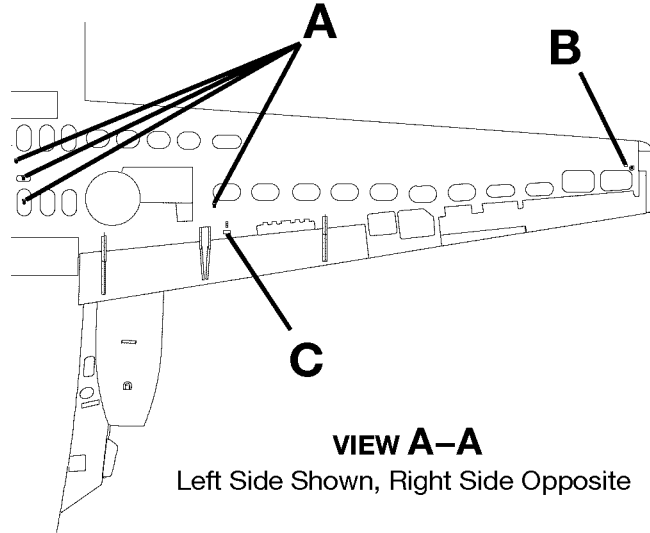
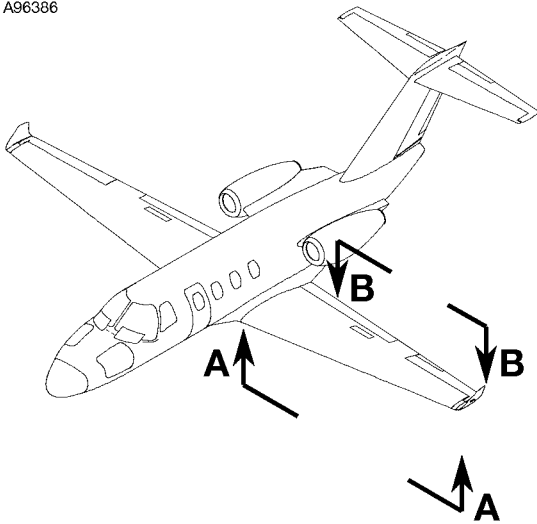
CESSNA®  
**MODEL 525 (SERIALS -0685 AND -0800 AND ON)**  
 ILLUSTRATED PARTS CATALOG

FIG ITEM	PART NUMBER	NOMENCLATURE	UNITS PER ASSY
01			
-		BRAZILIAN EXTERIOR PLACARDS AND MARKINGS - NACELLES AND PYLONS	0841 & ON RF R
1	S4171-2	. PLACARD-ENGINE OIL .....	01 R

- ITEM NOT ILLUSTRATED

CESSNA®  
**MODEL 525 (SERIALS -0685 AND -0800 AND ON)**  
 ILLUSTRATED PARTS CATALOG

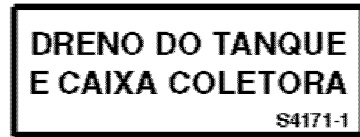
A96386



**VIEW A-A**  
 Left Side Shown, Right Side Opposite



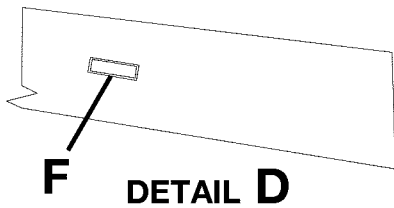
**2**  
**DETAIL E**



**3**  
**DETAIL A**



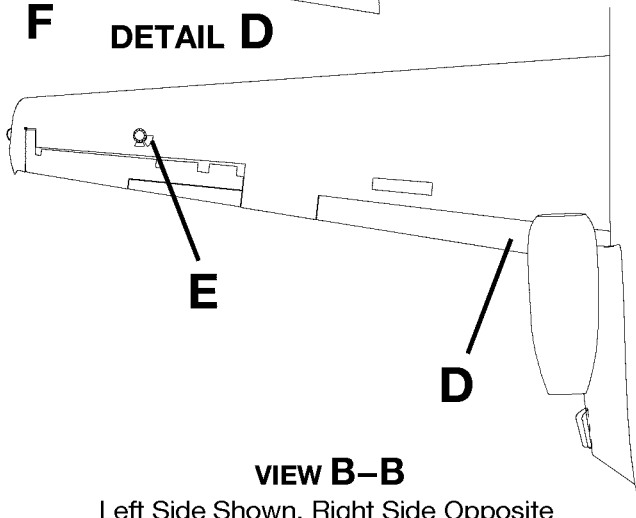
**1**  
**DETAIL F**



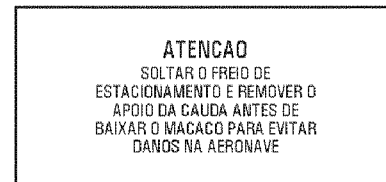
**DETAIL D**



**5**  
**DETAIL B**



**VIEW B-B**  
 Left Side Shown, Right Side Opposite



**4**  
**DETAIL C**

6310T1168  
 AA6390T210  
 BB6390T210

BRAZILIAN EXTERIOR PLACARDS AND MARKINGS - WINGS  
 FIGURE 01 (SHEET 1)



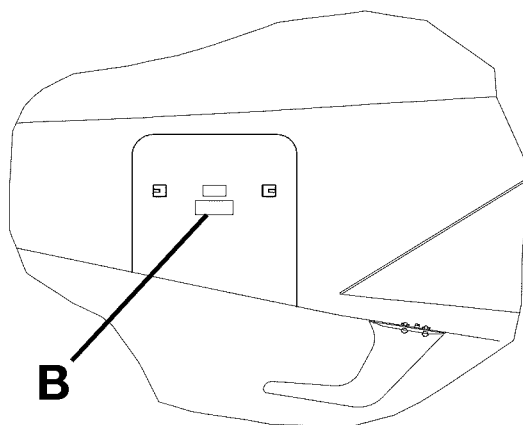
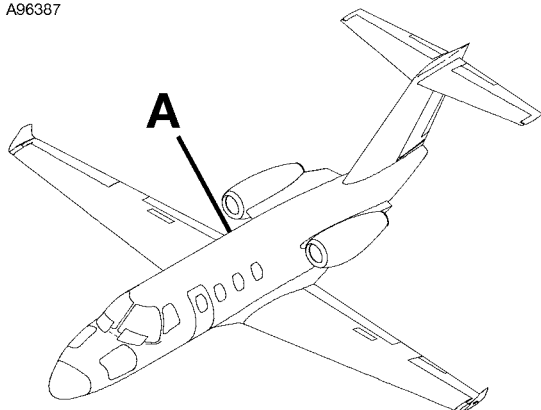
CESSNA®  
**MODEL 525 (SERIALS -0685 AND -0800 AND ON)**  
 ILLUSTRATED PARTS CATALOG

FIG ITEM	PART NUMBER	NOMENCLATURE	UNITS	
			PER	ASSY
01				
-		BRAZILIAN EXTERIOR PLACARDS AND MARKINGS - WINGS	0841	& ON RF R
1	6219092-12	. PLACARD-NO STEP . . . . .		02 R
2	S4172-3	. PLACARD-FUEL CAP . . . . .		02 R
3	S4171-1	. PLACARD-TANK SUMP DRAIN . . . . .		08 R
4	6390560-3	. PLACARD-JACK REMOVAL CAUTION . . . . .		02 R
5	6219092-78	. DECAL-GROUND UNDERWING . . . . .		02 R

- ITEM NOT ILLUSTRATED

CESSNA®  
**MODEL 525 (SERIALS -0685 AND -0800 AND ON)**  
ILLUSTRATED PARTS CATALOG

A96387



FWD ▶

**DETAIL A**  
Looking Inboard

**RESERVATÓRIO DE ÓLEO  
HYDRÁULICO  
MIL-PRF-83282**

S4417-8

1  
**DETAIL B**

6310T1168  
A6390T210

BRAZILIAN EXTERIOR PLACARDS AND MARKINGS - EMPENNAGE HYDRAULIC  
FIGURE 01 (SHEET 1)

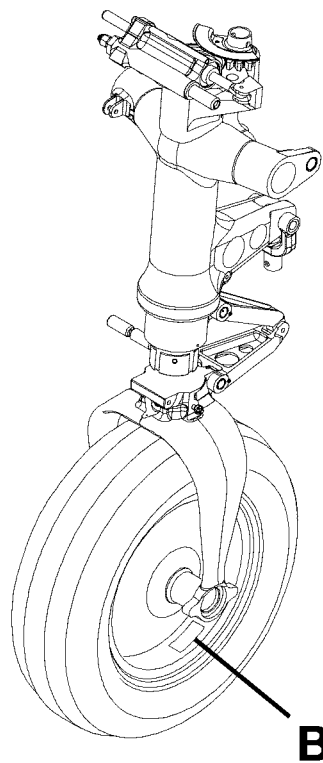
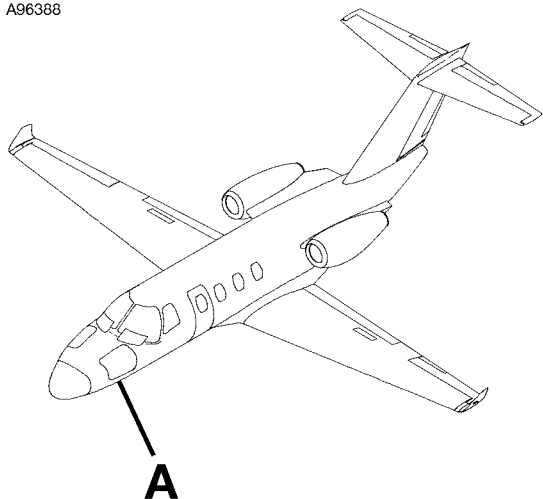
CESSNA®  
**MODEL 525 (SERIALS -0685 AND -0800 AND ON)**  
 ILLUSTRATED PARTS CATALOG

FIG ITEM	PART NUMBER	NOMENCLATURE							UNITS PER ASSY					
		1	2	3	4	5	6	7						
01														
-		BRAZILIAN	EXTERIOR	PLACARDS	AND	MARKINGS	-	EMPENNAGE	0841	& ON	RF R			
		HYDRAULIC												
1	S4417-8	. PLACARD-HYDRAULIC	REVERVOIR											01 R

- ITEM NOT ILLUSTRATED

CESSNA®  
MODEL 525 (SERIALS -0685 AND -0800 AND ON)  
ILLUSTRATED PARTS CATALOG

A96388



DETAIL A

ENCHIMENTO DO PNEU  $8.4 \pm 0.4$  KG/CM<sup>2</sup> (DESCARREGADO)  $8.8 \pm 0.4$  KG/CM<sup>2</sup> (CARREGADO) 56174

1  
DETAIL B

6310T1168  
A634T2000

BRAZILIAN EXTERIOR PLACARDS AND MARKINGS - NOSE LANDING GEAR (NLG)  
FIGURE 01 (SHEET 1)

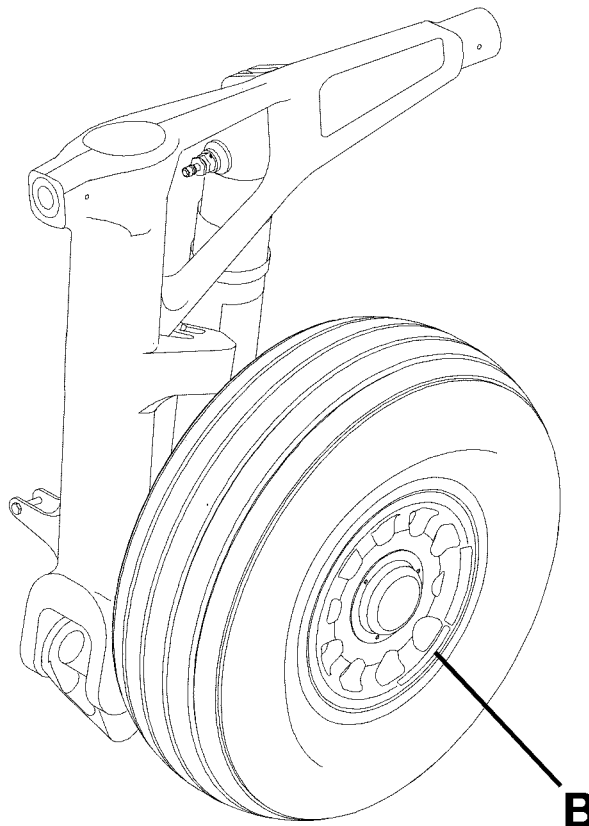
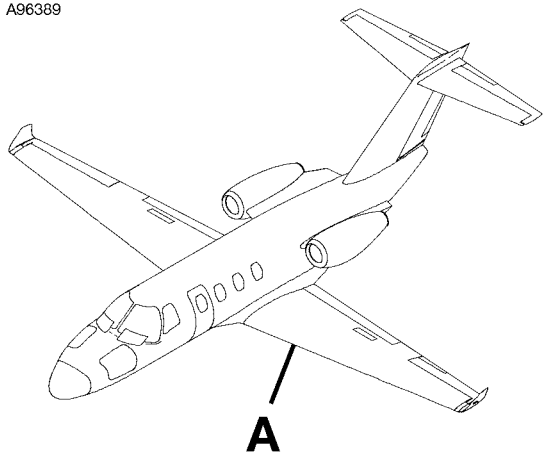
CESSNA®  
**MODEL 525 (SERIALS -0685 AND -0800 AND ON)**  
 ILLUSTRATED PARTS CATALOG

FIG ITEM	PART NUMBER	1 2 3 4 5 6 7	NOMENCLATURE	UNITS PER ASSY		
01			BRAZILIAN EXTERIOR PLACARDS AND MARKINGS - NOSE LANDING GEAR	0841	& ON	RF R
-			(NLG)			
1	S4417-9		. PLACARD-TIRE INFLATION . . . . .			01 R

- ITEM NOT ILLUSTRATED

CESSNA®  
MODEL 525 (SERIALS -0685 AND -0800 AND ON)  
ILLUSTRATED PARTS CATALOG

A96389



**DETAIL A**

Left Side Shown,  
Right Side Opposite

ENCHIMENTO DO PNEU  $7.2 \pm 0.4$  KG/CM<sup>2</sup> (DESCARREGADO)  $7.5 \pm 0.4$  KG/CM<sup>2</sup> (CARREGADO)

1

**DETAIL B**

BRAZILIAN EXTERIOR PLACARDS AND MARKINGS - MAIN LANDING GEAR (MLG)  
FIGURE 02 (SHEET 1)

6310T1168  
A6341T1106

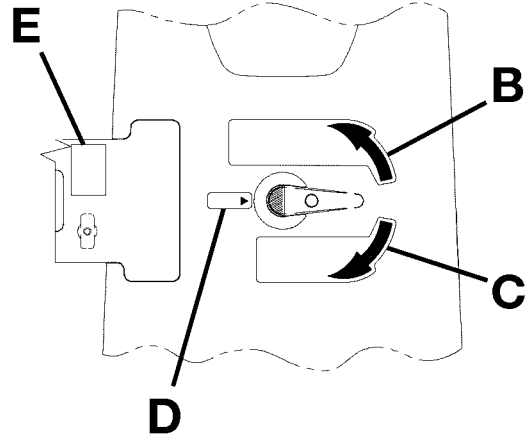
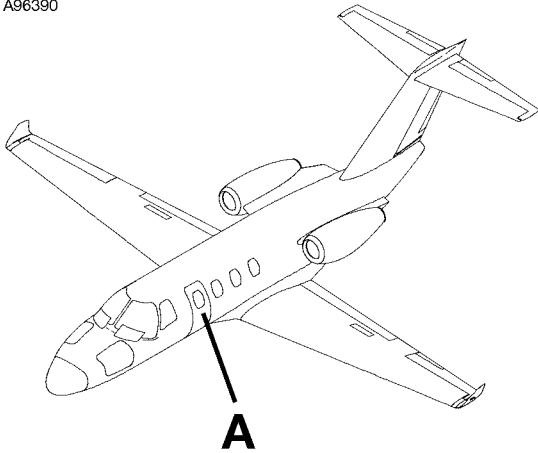
CESSNA®  
**MODEL 525 (SERIALS -0685 AND -0800 AND ON)**  
 ILLUSTRATED PARTS CATALOG

FIG ITEM	PART NUMBER	1 2 3 4 5 6 7	NOMENCLATURE	UNITS PER ASSY		
02			BRAZILIAN EXTERIOR PLACARDS AND MARKINGS - MAIN LANDING GEAR	0841	& ON	RF R
-			(MLG)			
1	S4417-10		. PLACARD-TIRE PRESSURE MAIN LANDING GEAR . . . . .			02 R

- ITEM NOT ILLUSTRATED

CESSNA®  
**MODEL 525 (SERIALS -0685 AND -0800 AND ON)**  
 ILLUSTRATED PARTS CATALOG

A96390



**DETAIL A**

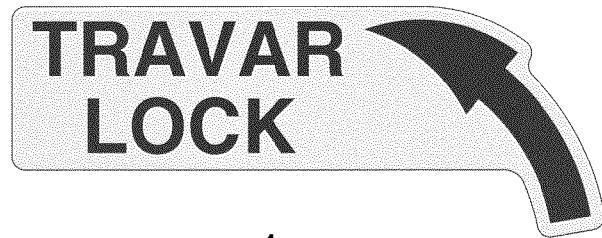
**LIBERAÇÃO DA TRAVA DA PORTA POR DENTRO, ATRÁS DESTA PLACA LEVANTE OS DEGRAUS ANTES DE FECHAR A PORTA.**

---

**DOOR CATCH RELEASE INSIDE BEHIND THIS PLACARD. RAISE STEPS BEFORE CLOSING DOOR.**

4

**DETAIL E**



1

**▲ DETAIL B**



3

**▲ DETAIL D**



2

**▲ DETAIL C**

**▲ Required for Dispatch**

6310T1168  
 A4711T985-4

**BRAZILIAN EXTERIOR PLACARDS AND MARKINGS - CABIN DOOR**  
 FIGURE 01 (SHEET 1)



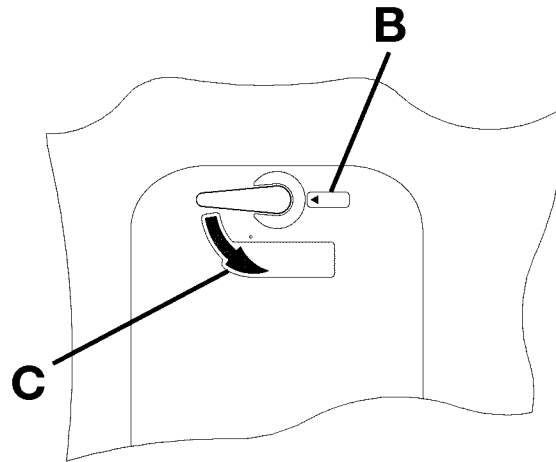
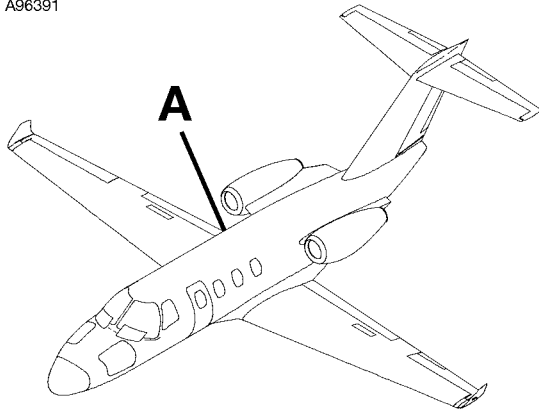
CESSNA®  
**MODEL 525 (SERIALS -0685 AND -0800 AND ON)**  
 ILLUSTRATED PARTS CATALOG

FIG ITEM	PART NUMBER	1 2 3 4 5 6 7	NOMENCLATURE	UNITS PER ASSY		
01						
-			BRAZILIAN EXTERIOR PLACARDS AND MARKINGS - CABIN DOOR	0841	& ON	RF R
1	4316008-13		. DECAL-LOCK . . . . .			01 R
2	4316008-14		. DECAL-OPEN . . . . .			01 R
3	4316008-12		. DECAL-PUSH . . . . .			01 R
4	4516047-67		. PHOTOPLACARD-PREATCH. . . . .			01 R

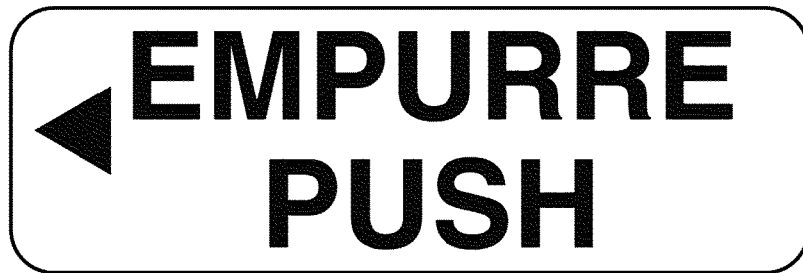
- ITEM NOT ILLUSTRATED

CESSNA®  
MODEL 525 (SERIALS -0685 AND -0800 AND ON)  
ILLUSTRATED PARTS CATALOG

A96391



**DETAIL A**  
Looking Inboard at Escape Hatch



2  
▲ **DETAIL B**



1  
▲ **DETAIL C**

▲ Required for Dispatch

6310T1168  
A4711985-3

BRAZILIAN EXTERIOR PLACARDS AND MARKINGS - ESCAPE HATCH  
FIGURE 02 (SHEET 1)

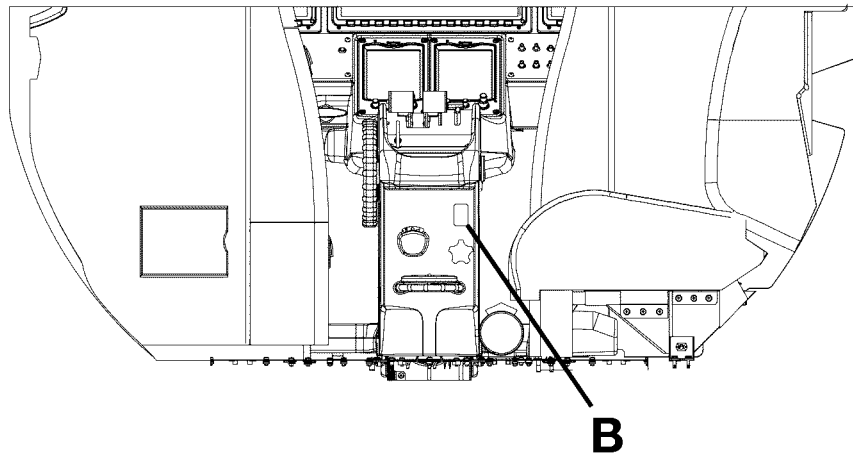
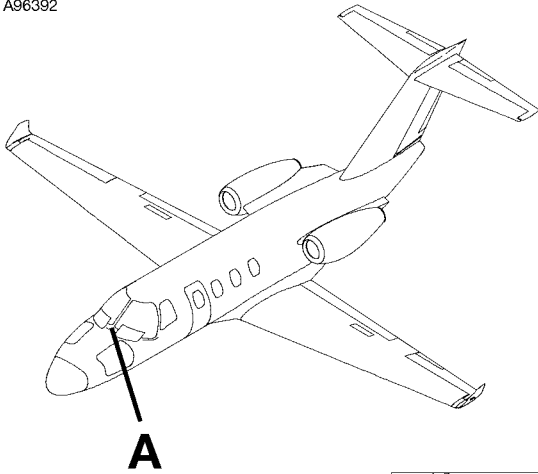
CESSNA®  
**MODEL 525 (SERIALS -0685 AND -0800 AND ON)**  
 ILLUSTRATED PARTS CATALOG

FIG ITEM	PART NUMBER	1 2 3 4 5 6 7	NOMENCLATURE	UNITS PER ASSY		
02						
-			BRAZILIAN EXTERIOR PLACARDS AND MARKINGS - ESCAPE HATCH	0841	& ON	RF R
1	4316005-1		. DECAL-OPEN .....			01 R
2	4316008-1		. DECAL-PUSH .....			01 R

- ITEM NOT ILLUSTRATED

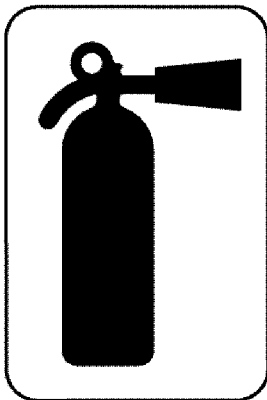
CESSNA®  
MODEL 525 (SERIALS -0685 AND -0800 AND ON)  
ILLUSTRATED PARTS CATALOG

A96392



**DETAIL A**

View Looking Forward at Cockpit Pedestal



1

▲ **DETAIL B**

▲ Required for Dispatch

BRAZILIAN INTERIOR PLACARDS AND MARKINGS - FLIGHT COMPARTMENT  
FIGURE 01 (SHEET 1)

6310T1168  
A4711T985-10

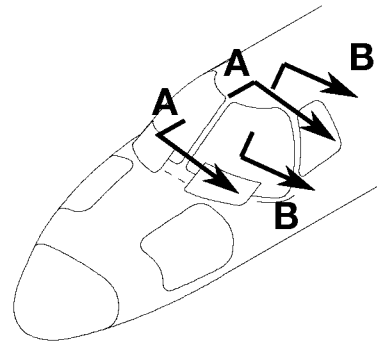
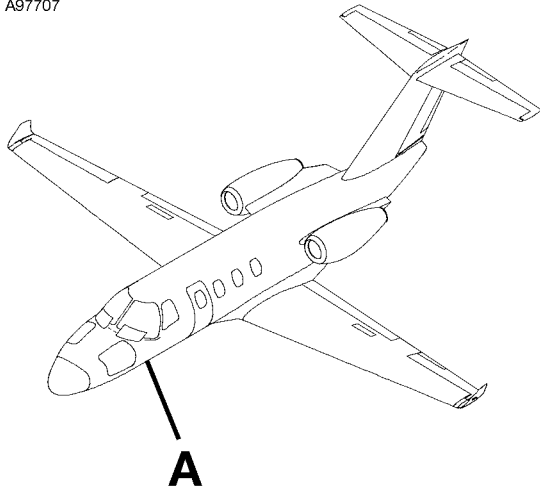
CESSNA®  
**MODEL 525 (SERIALS -0685 AND -0800 AND ON)**  
 ILLUSTRATED PARTS CATALOG

FIG ITEM	PART NUMBER	1 2 3 4 5 6 7	NOMENCLATURE	UNITS PER ASSY		
01			BRAZILIAN INTERIOR PLACARDS AND MARKINGS - FLIGHT COMPARTMENT	0841	& ON	RF R
-			. PLACARD-FIRE EXTINGUISHER . . . . .			01 R
1	4316002-10					

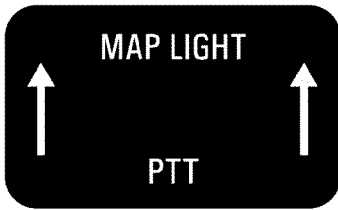
- ITEM NOT ILLUSTRATED

CESSNA®  
**MODEL 525 (SERIALS -0685 AND -0800 AND ON)**  
 ILLUSTRATED PARTS CATALOG

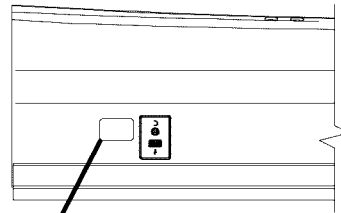
A97707



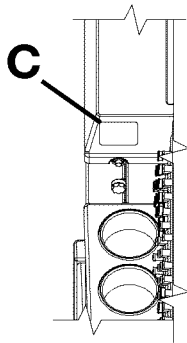
**DETAIL A**



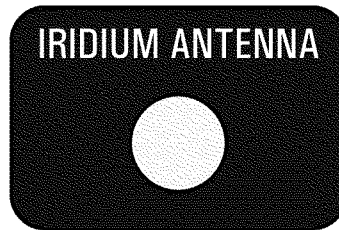
**2**  
**DETAIL C**



**B**  
**VIEW A-A**



**VIEW B-B**  
 View Looking at Left Hand Side Console



**1**  
**DETAIL B**

6310T1168  
 B6310T1168  
 AA6310T1183  
 BB6310T1184

**BRAZILIAN INTERIOR PLACARDS AND MARKINGS - LH CONSOLE**  
**FIGURE 04 (SHEET 1)**

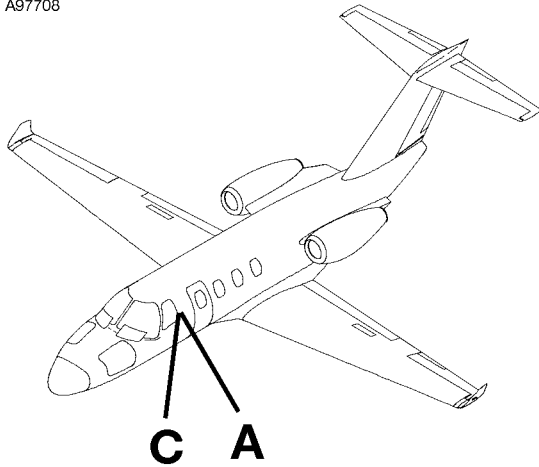
CESSNA®  
**MODEL 525 (SERIALS -0685 AND -0800 AND ON)**  
 ILLUSTRATED PARTS CATALOG

FIG ITEM	PART NUMBER	NOMENCLATURE	UNITS PER ASSY	
			1 2 3 4 5 6 7	
04				
-		BRAZILIAN INTERIOR PLACARDS AND MARKINGS - LH CONSOLE	0841	& ON RF R
1	4316002-35	. PLACARD-IRIDIUM ANTENNA . . . . .		01 R
2	4316002-38	. PLACARD-MAP LIGHT . . . . .		02 R

- ITEM NOT ILLUSTRATED

CESSNA®  
**MODEL 525 (SERIALS -0685 AND -0800 AND ON)**  
 ILLUSTRATED PARTS CATALOG

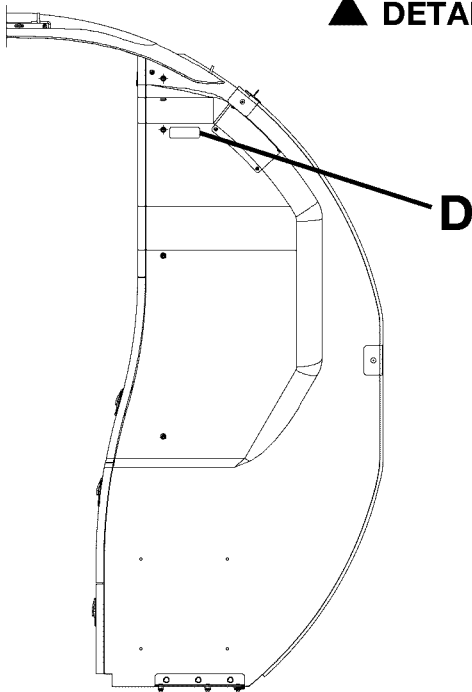
A97708



STOW CURTAIN FOR  
 TAXI, TAKEOFF, AND LANDING.

2

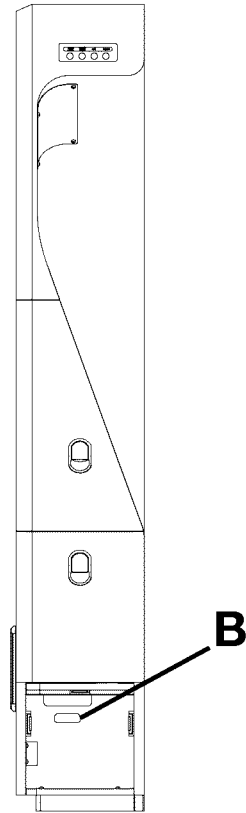
▲ **DETAIL D**



**DETAIL C**

Looking Aft at Left Hand Cabinet Assembly

▲ Required for Dispatch



**DETAIL A**

CABIN BRIEFER  
 PROGRAM LOAD PORT

1

**DETAIL B**

BRAZILIAN INTERIOR PLACARDS AND MARKINGS - FLIGHT COMPARTMENT  
 FIGURE 05 (SHEET 1)

6310T1168  
 A471T1953  
 C471T1953



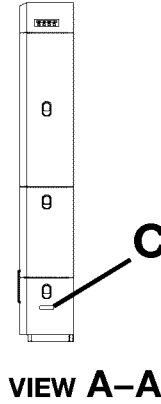
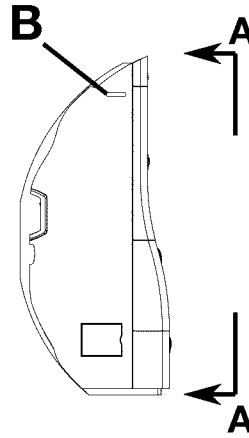
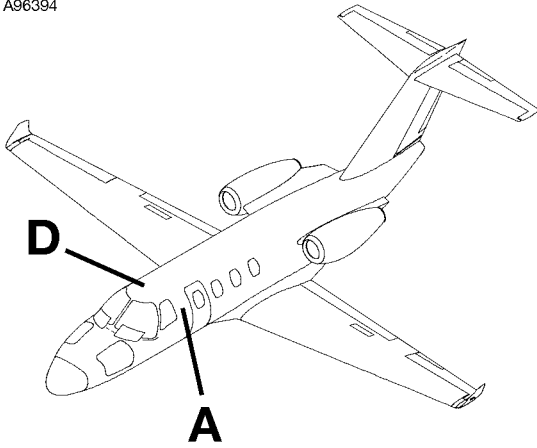
CESSNA®  
**MODEL 525 (SERIALS -0685 AND -0800 AND ON)**  
 ILLUSTRATED PARTS CATALOG

FIG ITEM	PART NUMBER	NOMENCLATURE	UNITS PER ASSY	
			1 2 3 4 5 6 7	
05				
-		BRAZILIAN INTERIOR PLACARDS AND MARKINGS - FLIGHT COMPARTMENT	0841	& ON RF R
1	4316002-40	. PLACARD-CABIN BRIEFER PORT . . . . .		01 R
2	4316002-8	. PLACARD-CURTAIN STOWAGE . . . . .		01 R

- ITEM NOT ILLUSTRATED

CESSNA®  
**MODEL 525 (SERIALS -0685 AND -0800 AND ON)**  
 ILLUSTRATED PARTS CATALOG

A96394



**DETAIL A**

**VIEW A-A**

APORTE O CINTO DE OMBROS PARA  
TÁXI, DECOLAGEM, E POUSO.  
 COLETE SALVA-VIDAS NA BASE DO ASSENTO.  
 FASTEN SHOULDER HARNESS FOR  
TAXI, TAKEOFF, AND LANDING.  
 LIFE VEST IN SEAT BASE.

4

▲ **DETAIL E**

Used with Life Vest

ENTRADA DE AR  
 NÃO BLOQUEAR.  
 AIR INLET  
 DO NOT BLOCK.

5

▲ **DETAIL F**

FECHAR TODAS AS PORTAS E GAVETAS DOS  
GABINETES PARA TÁXI, DECOLAGEM E POUSO  
 CLOSE ALL CABINET DOORS AND DRAWERS  
FOR TAXI, TAKEOFF, AND LANDING.

1

▲ **DETAIL B**

NÃO JOGUE CIGARRO;  
 USE SOMENTE LIXEIRA METÁLICA  
 NO CIGARETTE DISPOSAL;  
 METAL TRASH LINER REQUIRED.

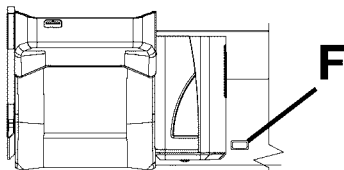
2

▲ **DETAIL C**

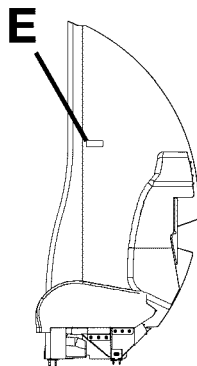
APORTE O CINTO DE OMBROS PARA  
TÁXI, DECOLAGEM, E POUSO.  
 FASTEN SHOULDER HARNESS FOR  
TAXI, TAKEOFF, AND LANDING.

3

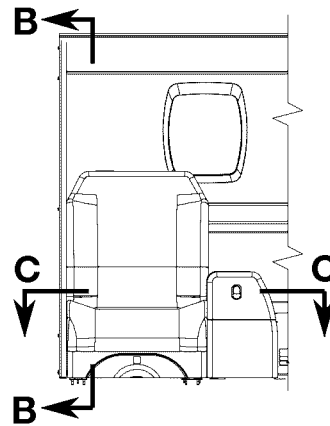
▲ **DETAIL E**



**VIEW C-C**



**VIEW B-B**



**DETAIL D**

Looking Outboard at Side Facing Seat

6310T1168  
 A6320T1021  
 D6320T1021  
 AA6320T1021  
 BB6320T1021  
 CC6320T1021

▲ Required for Dispatch

BRAZILIAN INTERIOR PLACARDS AND MARKINGS - FORWARD CABIN  
 FIGURE 01 (SHEET 1)

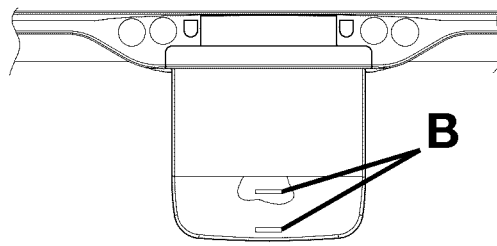
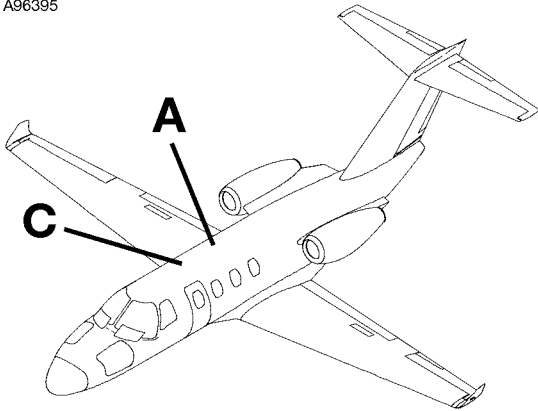
CESSNA®  
**MODEL 525 (SERIALS -0685 AND -0800 AND ON)**  
 ILLUSTRATED PARTS CATALOG

FIG ITEM	PART NUMBER	NOMENCLATURE	UNITS PER ASSY		
			1	2	3
01		BRAZILIAN INTERIOR PLACARDS AND MARKINGS - FORWARD CABIN	0841	& ON	RF
-					
1	4316008-19	. PLACARD-CABINET INSTRUCTIONS . . . . .			01
2	4316008-18	. PLACARD-TRASH CONTAINER WITH LINER . . . . .			01
3	4316008-21	. PLACARD-SFS INSTRUCTIONS . . . . .			01
4	4316008-20	. PLACARD-SFS INSTRUCTIONS USED WITH LIFEVEST . . . . .			01
5	4316008-17	. PLACARD-AIR INLET . . . . .			01
-	4717018-8	. PLACARD-COVER . . . . .			01

- ITEM NOT ILLUSTRATED

CESSNA®  
**MODEL 525 (SERIALS -0685 AND -0800 AND ON)**  
 ILLUSTRATED PARTS CATALOG

A96395



**DETAIL A**

View Looking Down on Right Hand Side  
 Deployed Table, Left Hand Side Opposite

PARA TÁXI, DECOLAGEM E POUSO:  
 COLOQUE O ASSENTO NA POSIÇÃO VERTICAL;  
 ESTENDA O APOIO DE CABEÇA;  
 TRAVE O ASSENTO NA POSIÇÃO PARA TRÁS E  
 JUNTO A PAREDE; APERETE O CINTO DE OMBROS.

FOR TAXI, TAKEOFF, AND LANDING: RAISE SEAT BACK;  
 EXTEND HEADREST; TRACK SEAT AWAY FROM  
 TABLE THEN OUTBOARD; FASTEN SHOULDER HARNESS.

77

▲ **DETAIL E**

RECOLHA PARA TÁXI, DECOLAGEM E POUSO.

STOW FOR TAXI, TAKEOFF, AND LANDING.

75

▲ **DETAIL B**

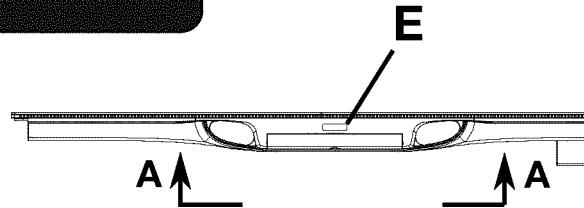
PARA TÁXI, DECOLAGEM E POUSO:  
 COLOQUE O ASSENTO NA POSIÇÃO VERTICAL;  
 ESTENDA O APOIO DE CABEÇA;  
 TRAVE O ASSENTO NA POSIÇÃO PARA TRÁS E  
 JUNTO A PAREDE; APERETE O CINTO DE OMBROS.  
 COLETE SALVA-VIDAS NA BASE DO ASSENTO.

FOR TAXI, TAKEOFF, AND LANDING: RAISE SEAT BACK;  
 EXTEND HEADREST; TRACK SEAT AWAY FROM  
 TABLE THEN OUTBOARD; FASTEN SHOULDER HARNESS.  
 LIFE VEST IN SEAT BASE.

78

▲ **DETAIL E**

Used with Life Vest



**DETAIL C**

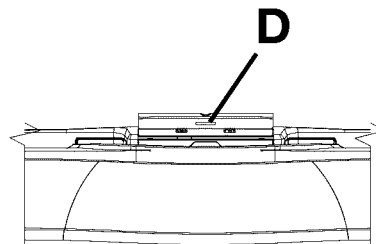
View Looking Down on Right Hand Sideledge

FECHA A TAMPA PARA TÁXI, DECOLAGEM E POUSO.

CLOSE LID FOR TAXI, TAKEOFF, AND LANDING.

76

▲ **DETAIL D**



**VIEW A-A**

Table Lid Shown in Upright Position

▲ Required for Dispatch

BRAZILIAN INTERIOR PLACARDS AND MARKINGS - FORWARD CABIN  
 FIGURE 01 (SHEET 2)

6310T1168  
 A6320T1021  
 C6319T1647  
 AA6319T1647

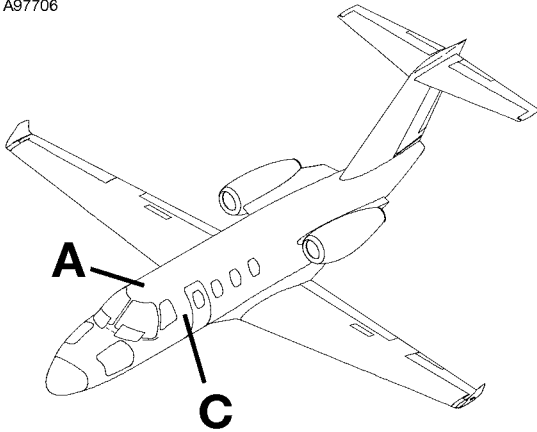
CESSNA®  
**MODEL 525 (SERIALS -0685 AND -0800 AND ON)**  
 ILLUSTRATED PARTS CATALOG

FIG ITEM	PART NUMBER	NOMENCLATURE	UNITS PER ASSY
	1 2 3 4 5 6 7		
01			
75	4316008-200	. PLACARD-TABLE INSTRUCTIONS . . . . .	04
76	4316008-22	. PLACARD-TABLE LID INSTRUCTIONS . . . . .	02
77	4316008-24	. PLACARD-PASSENGER SEAT INSTRUCTIONS . . . . .	02
78	4316008-23	. PLACARD-PASSENGER SEAT INSTRUCTIONS USED WITH LIFEVEST . . . . .	02

- ITEM NOT ILLUSTRATED

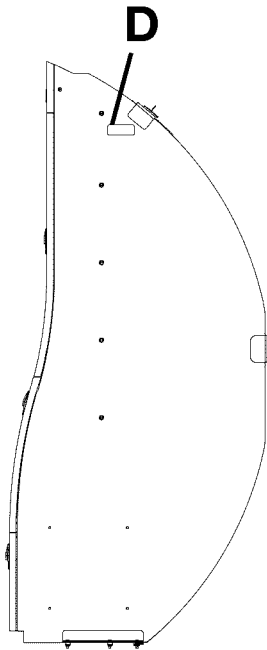
CESSNA®  
**MODEL 525 (SERIALS -0685 AND -0800 AND ON)**  
 ILLUSTRATED PARTS CATALOG

A97706



**STOW CURTAIN FOR  
 TAXI, TAKEOFF, AND LANDING.**

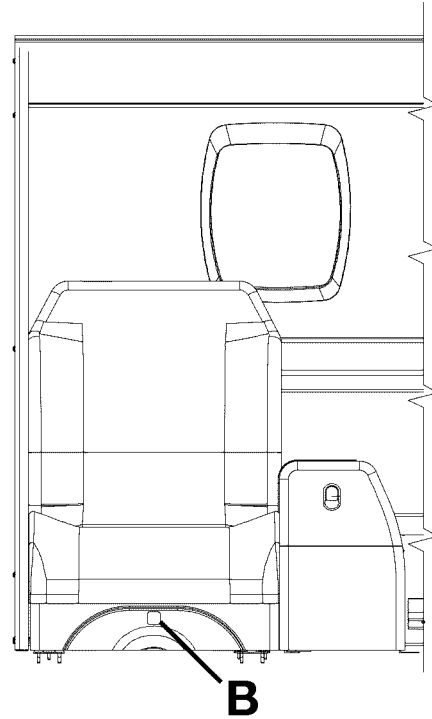
**151**  
 ▲ **DETAIL D**



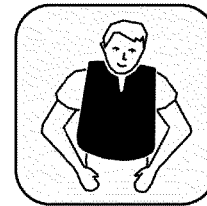
**DETAIL C**  
 Looking Aft at Left Hand Forward Refreshment Center

▲ Required for Dispatch

BRAZILIAN INTERIOR PLACARDS AND MARKINGS - FORWARD CABIN  
 FIGURE 01 (SHEET 3)



**DETAIL A**  
 Looking Outboard at Side Facing Seat



**150**  
 ▲ **DETAIL B**

6310T1168  
 A6320T1021  
 AA6320T1021  
 BB6320T1021

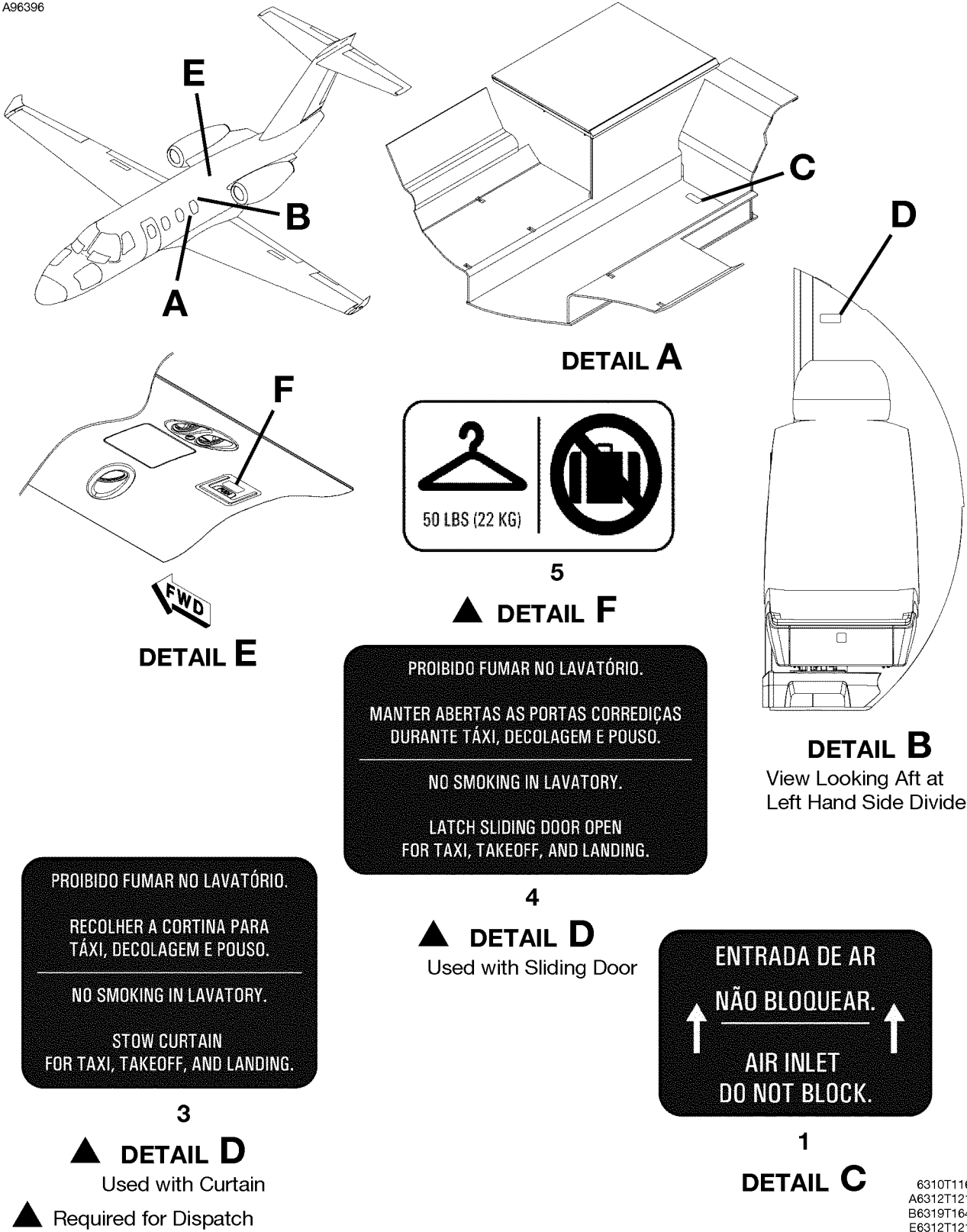
CESSNA®  
**MODEL 525 (SERIALS -0685 AND -0800 AND ON)**  
 ILLUSTRATED PARTS CATALOG

FIG ITEM	PART NUMBER	1 2 3 4 5 6 7	NOMENCLATURE	UNITS PER ASSY	
01					
150	4316002-32		. PLACARD-LIFE VEST . . . . .	0841	& ON 01 R
151	4316002-8		. PLACARD-CURTAIN INSTRUCTIONS . . . . .		01 R

- ITEM NOT ILLUSTRATED

CESSNA®  
**MODEL 525 (SERIALS -0685 AND -0800 AND ON)**  
 ILLUSTRATED PARTS CATALOG

A96396



BRAZILIAN INTERIOR PLACARDS AND MARKINGS - AFT CABIN  
 FIGURE 02 (SHEET 1)

6310T1168  
 A6312T1217  
 B6319T1649  
 E6312T1218



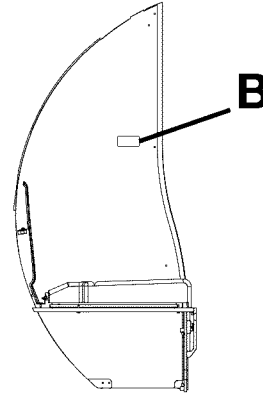
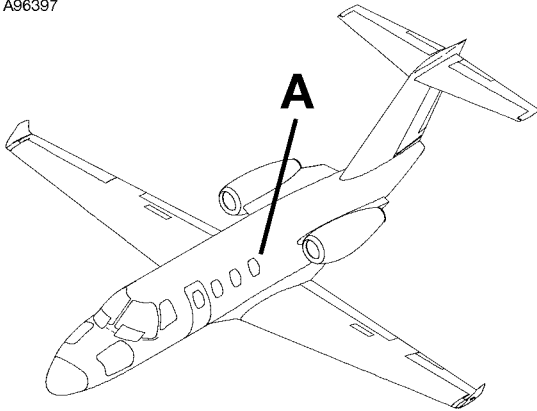
CESSNA®  
**MODEL 525 (SERIALS -0685 AND -0800 AND ON)**  
 ILLUSTRATED PARTS CATALOG

FIG ITEM	PART NUMBER	NOMENCLATURE	UNITS	
			PER	ASSY
02				
-		BRAZILIAN INTERIOR PLACARDS AND MARKINGS - AFT CABIN	0841	& ON RF
1	4316008-17	. PLACARD-AIR INLET . . . . .		01
- 2	4717018-8	. PLACARD-COVER . . . . .		01
3	4316008-25	. PLACARD-AFT CABIN INSTRUCTIONS USED WITH CURTAIN . . . . .		01
4	4316008-26	. PLACARD-AFT CABIN INSTRUCTIONS USED WITH SLIDING DOOR . . . . .		01
5	4316002-34	. PLACARD-COAT ROD . . . . .		01 R

- ITEM NOT ILLUSTRATED

CESSNA®  
**MODEL 525 (SERIALS -0685 AND -0800 AND ON)**  
 ILLUSTRATED PARTS CATALOG

A96397



**DETAIL A**

View Looking Forward at Left Hand Side  
 Toilet Assembly and Left Hand Side Aft Divider

PARA TÁXI, DECOLAGEM E POUSO:  
 MANTENHA ABERTAS AS PORTAS CORREDIÇAS;  
 FECHÉ TODAS AS PORTAS E GAVETAS DOS GABINETES.  
 APERTE O CINTO DE OMBROS.

COLETE SALVA-VIDAS NO GABINETE DO ASSENTO.

---

FOR TAXI, TAKEOFF, AND LANDING:  
 LATCH SLIDING DOOR OPEN;  
 CLOSE ALL CABINET DOORS AND DRAWERS;  
 FASTEN SHOULDER HARNESS.

LIFE VEST IN SEAT CABINET.

**78**

▲ **DETAIL B**

Used with Sliding Door and Life Vest

PARA TÁXI, DECOLAGEM E POUSO:  
 RECOLHA A CORTINA;  
 FECHÉ TODAS AS PORTAS E GAVETAS DOS GABINETES.  
 APERTE O CINTO DE OMBROS.

---

FOR TAXI, TAKEOFF, AND LANDING:  
 STOW CURTAIN;  
 CLOSE ALL CABINET DOORS AND DRAWERS;  
 FASTEN SHOULDER HARNESS.

**75**

▲ **DETAIL B**

Used with Curtain

PARA TÁXI, DECOLAGEM E POUSO:  
 MANTENHA ABERTAS AS PORTAS CORREDIÇAS;  
 FECHÉ TODAS AS PORTAS E GAVETAS DOS GABINETES.  
 APERTE O CINTO DE OMBROS.

---

FOR TAXI, TAKEOFF, AND LANDING:  
 LATCH SLIDING DOOR OPEN;  
 CLOSE ALL CABINET DOORS AND DRAWERS;  
 FASTEN SHOULDER HARNESS.

**77**

▲ **DETAIL B**

Used with Sliding Door

PARA TÁXI, DECOLAGEM E POUSO:  
 RECOLHA A CORTINA;  
 FECHÉ TODAS AS PORTAS E GAVETAS DOS GABINETES.  
 APERTE O CINTO DE OMBROS.

COLETE SALVA-VIDAS NO GABINETE DO ASSENTO.

---

FOR TAXI, TAKEOFF, AND LANDING:  
 STOW CURTAIN;  
 CLOSE ALL CABINET DOORS AND DRAWERS;  
 FASTEN SHOULDER HARNESS.

LIFE VEST IN SEAT CABINET.

**76**

▲ **DETAIL B**

Used with Curtain and Life Vest

▲ Required for Dispatch

6310T1168  
 A6319T1650

BRAZILIAN INTERIOR PLACARDS AND MARKINGS - AFT CABIN  
 FIGURE 02 (SHEET 2)

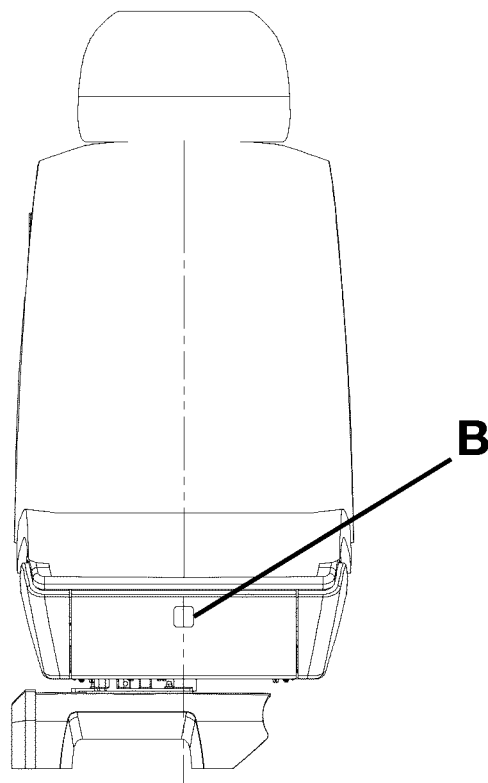
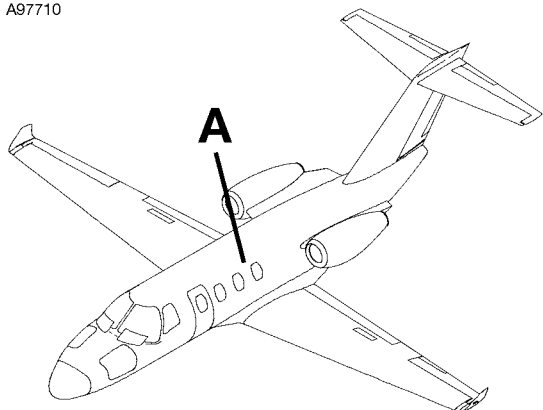
CESSNA®  
**MODEL 525 (SERIALS -0685 AND -0800 AND ON)**  
 ILLUSTRATED PARTS CATALOG

FIG ITEM	PART NUMBER	NOMENCLATURE	UNITS
			PER ASSY
02			
75	4316008-30	. PLACARD-LH BELTED TOILET INSTRUCTIONS USED WITH CURTAIN . . . . .	01
76	4316008-29	. PLACARD-LH BELTED TOILET INSTRUCTIONS USED WITH CURTAIN AND LIFEVEST . . . . .	01
77	4316008-28	. PLACARD-LH BELTED TOILET INSTRUCTIONS USED WITH SLIDING DOOR . . . . .	01
78	4316008-27	. PLACARD-LH BELTED TOILET INSTRUCTIONS USED WITH SLIDING DOOR AND LIFEVEST . . . . .	01

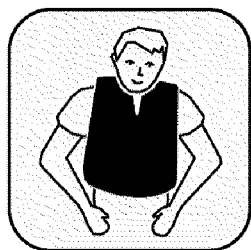
- ITEM NOT ILLUSTRATED

CESSNA®  
MODEL 525 (SERIALS -0685 AND -0800 AND ON)  
ILLUSTRATED PARTS CATALOG

A97710



**DETAIL A**



1

**▲ DETAIL B**

**▲** Required for Dispatch

6310T1168  
A6319T1648

BRAZILIAN INTERIOR PLACARDS AND MARKINGS - CABIN SEATS  
FIGURE 04 (SHEET 1)

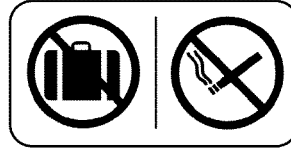
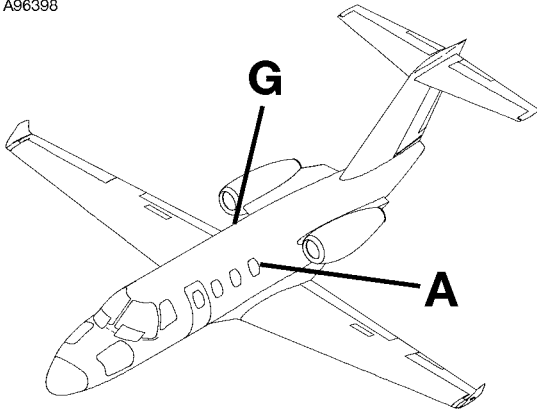
CESSNA®  
**MODEL 525 (SERIALS -0685 AND -0800 AND ON)**  
 ILLUSTRATED PARTS CATALOG

FIG ITEM	PART NUMBER	1 2 3 4 5 6 7	NOMENCLATURE	UNITS PER ASSY		
04						
-			BRAZILIAN INTERIOR PLACARDS AND MARKINGS - CABIN SEATS	0841	& ON	RF R
1	4316002-32		. PLACARD-LIFEVEST . . . . .			04 R

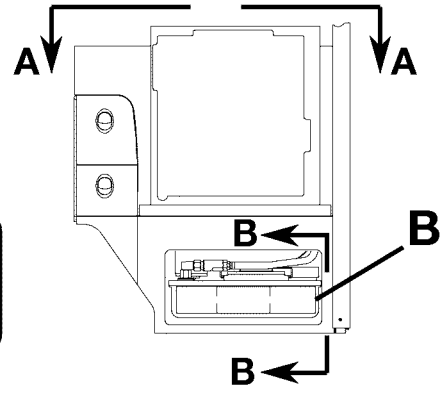
- ITEM NOT ILLUSTRATED

CESSNA®  
**MODEL 525 (SERIALS -0685 AND -0800 AND ON)**  
**ILLUSTRATED PARTS CATALOG**

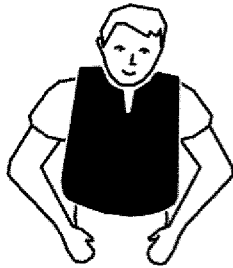
A96398



**6**  
**▲ DETAIL H**



**DETAIL A**  
**View Looking Outboard**

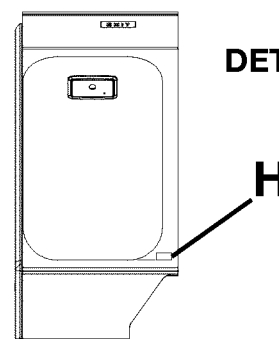


**5**  
**▲ DETAIL F**

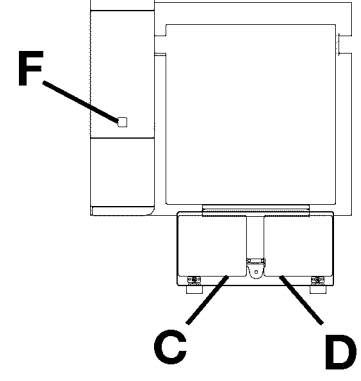
<p><b>INSTRUÇÕES DE SERVIÇO:</b></p> <p>1. PROCESSO E TAREFAS RESERVADOS DO ENGANTE (MANTO) DESALINHADO EM COM O TAMBÓ.</p> <p>1.2. DRENE A TUBULAÇÃO DE DESCARGA AO DESCONECTAR. PREENCHA O TUBO DE DRENAÇÃO COM ÁGUA LIMPA. PODE SER MANIPULADA PARA AUXILIAR A DRENAÇÃO.</p> <p>1.3. DRENE O FUNDOS DO TAMBÓ (MANTO) E FUNDOS DO TUBO DE DRENAÇÃO NA POSIÇÃO DE RETENÇÃO.</p> <p>1.4. LIMPE O PNEUQUE (TAMBO) NO TÓPO DO TAMBÓ.</p> <p>1.5. LIMPE O TUBO DE DRENAÇÃO.</p> <p>1.6. FECHAR A BARRILHA DA SÍNTIA E PARAFUSAR A MANEIRA A ATÉ A POSIÇÃO DE SÍNTIA PERMANENTE (SÍNTIA).</p> <p>1.7. DRENE O TAMBÓ DESEJANDO AS POSIÇÕES.</p> <p>1.8. REMOVA O TAMBÓ PARANDO A EM SUA DREÇÃO.</p>	<p><b>2. LIMPEZA DO TAMBÓ:</b></p> <p>2.1. REMOVA A TAMPÃO DA BARRILHA LOCALIZADA EM CIMA DO TAMBÓ.</p> <p>2.2. FAÇA O ENCAIXAMENTO DO TAMBÓ SOBRE O TUBO DE DRENAÇÃO DO FUNDOS.</p> <p>2.3. REMOVA O TAMBÓ PARA CIMA E DRENE O TAMBÓ COM ÁGUA LIMPA. COLUNA E TAMPA E DRENE O TAMBÓ HORIZONTALMENTE. DRENE O TAMBÓ. CONECTE O TAMBÓ DESEJANDO AS POSIÇÕES.</p> <p>2.4. REPTA O PARAFUSO E DRENE O TAMBÓ COM ÁGUA LIMPA.</p> <p>2.5. LIMPE O TUBO DE DRENAÇÃO DO TAMBÓ COM UM PANO LIMPO (MANTO) COM SÓLVENTE.</p> <p>2.6. LIMPE O TAMBÓ COM UM TUBO DE DRENAÇÃO DE ÁGUA LIMPA E EM PACTE DO PRODUTO QUÍMICO REMOVIDO PARA O LATERALMENTE.</p> <p>2.7. EM POSIÇÃO DE SÍNTIA, LIMPE O TUBO DE DRENAÇÃO COM SÓLVENTE E DRENE O TAMBÓ PARA APOIAR O COMBUSTÍVEL.</p> <p>2.8. INSTALAÇÃO DO TAMBÓ:</p> <p>2.9. INSTALE O TAMBÓ DE SEQUÊNCIA COM OS PARAFUSOS 1 E 1.7 EM POSIÇÃO DE SÍNTIA.</p> <p>2.10. APÓS A INSTALAÇÃO, VERIFIQUE A OPERAÇÃO DA SÍNTIA.</p>	<p><b>REMOVE INSTRUCTIONS:</b></p> <p><b>TANK REMOVAL:</b></p> <p>1.1. REMOVE SLIDE GASKET ON SLIDE DISCONNECT.</p> <p>1.2. DRAIN TUBING ON TANK TOP.</p> <p>1.3. DRAIN TUBING BY PARTIALLY DISCONNECTING. FILL TUBING WITH CLEAN WATER. MANIPULATE TO ASSIST DRAINAGE.</p> <p>1.4. INSERT PLUG ATTACHED TO TANK TOP INTO THE DRAIN DISCONNECT. USE DRY CLOTH.</p> <p>1.5. DRAIN TANK FROM DRAIN DISCONNECT AND PLACE FLUSH WATER INTO TANK HANDLE.</p> <p>1.6. INSERT PLUG ATTACHED TO TANK TOP INTO THE DRAIN DISCONNECT.</p> <p>1.7. REMOVE TANK BY PULLING TOWARDS YOU.</p> <p><b>TANK CLEANING:</b></p> <p>2.1. REMOVE TANK CAP LOCATED ON TOP OF TANK.</p> <p>2.2. TO DRAIN TANK, TANK MUST BE OPEN TO THREE.</p> <p>2.3. FROM TANK SPOUT AND FILL TANK WITH CLEAR WATER. REPLACE DRAIN CAP AND SINK TANK VERTICALLY. DRAIN TANK AS DESCRIBED BY PARA 2.4 AND 2.5.</p> <p>2.4. REPEAT PARA 2.1 UNTIL TANK IS THOROUGHLY CLEANED.</p> <p>2.5. Wipe all overflow tank drain clean with cloth.</p> <p>2.6. REPEAT PARA 2.1 UNTIL TANK IS THOROUGHLY CLEANED.</p> <p>2.7. TANK PREPARATION:</p> <p>2.8. PREPARE TANK WITH MIXTURE OF 2 QUARTS OF CLEAN WATER AND A PACKET OF DISINFECTANT OR AN ALKALINE CLEANER. DRAIN TANK VERTICALLY BY PUSHING THE HANDLE IN ONE WAY OR THE OTHER.</p> <p>2.9. FILLING TUBING. DRAIN DISCONNECT MAY BE CLOSED TO PREVENT SPILLAGE.</p> <p>2.10. TANK INSTALLATION:</p> <p>2.11. INSTALL TANK FOLLOWING PARA 1 THROUGH PARA 1.7 IN REVERSE ORDER.</p> <p>2.12. AFTER INSTALLATION, CHECK TANK OPERATION.</p>
------------------------------------------------------------------------------------------------------------------------------------------------------------------------------------------------------------------------------------------------------------------------------------------------------------------------------------------------------------------------------------------------------------------------------------------------------------------------------------------------------------------------------------------------------------------------------------------------------------------------------------------------------------------------------------------------	------------------------------------------------------------------------------------------------------------------------------------------------------------------------------------------------------------------------------------------------------------------------------------------------------------------------------------------------------------------------------------------------------------------------------------------------------------------------------------------------------------------------------------------------------------------------------------------------------------------------------------------------------------------------------------------------------------------------------------------------------------------------------------------------------------------------------------------------------------------------------------------------------------------------------------------------------------	---------------------------------------------------------------------------------------------------------------------------------------------------------------------------------------------------------------------------------------------------------------------------------------------------------------------------------------------------------------------------------------------------------------------------------------------------------------------------------------------------------------------------------------------------------------------------------------------------------------------------------------------------------------------------------------------------------------------------------------------------------------------------------------------------------------------------------------------------------------------------------------------------------------------------------------------------------------------------------------------------------------------------------------------------------------------------------------------------------------------------------------------------------------------------------------------------------------------------------------------------------------------------------------------------------------------------------------------------------------------------------------------------------------------------------------------------------------------------------------------------------------------------------------------------

<p><b>PRODUTOS QUÍMICOS DO TOILETE SÃO CORROSIVOS. TENHA CUIDADO PARA EVITAR VAZAMENTOS. SIGA AS INSTRUÇÕES DE SERVIÇO COM CUIDADO. LIMPE QUALQUER VAZAMENTO IMEDIATAMENTE E RELATE O MESMO PARA A TRIPULAÇÃO.</b></p>	<p><b>TOILET CHEMICAL IS CORROSIVE. USE EXTREME CARE TO PREVENT SPILLAGE. FOLLOW SERVICING INSTRUCTIONS CAREFULLY. CLEAN ANY SPILLAGE IMMEDIATELY AND REPORT IT TO THE CREW.</b></p>
------------------------------------------------------------------------------------------------------------------------------------------------------------------------------------------------------------------------	--------------------------------------------------------------------------------------------------------------------------------------------------------------------------------------

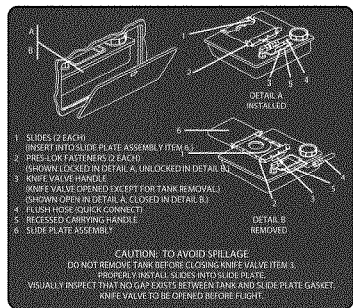
**2**  
**DETAIL E**



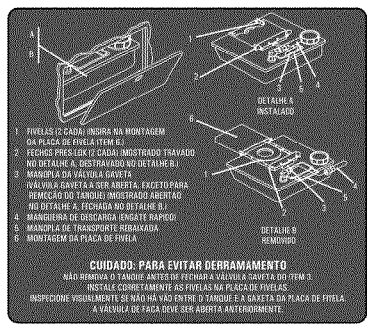
**DETAIL G**  
**View Looking Outboard**



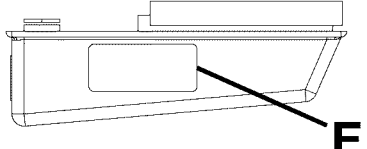
**VIEW A-A**



**4**  
**DETAIL D**



**3**  
**DETAIL C**



**VIEW B-B**

**▲ Required for Dispatch**

**BRAZILIAN INTERIOR PLACARDS AND MARKINGS - LAVATORY**  
**FIGURE 01 (SHEET 1)**

6310T1168  
 A634T2000  
 AA634T2000  
 BB634T2000  
 G6314T1662

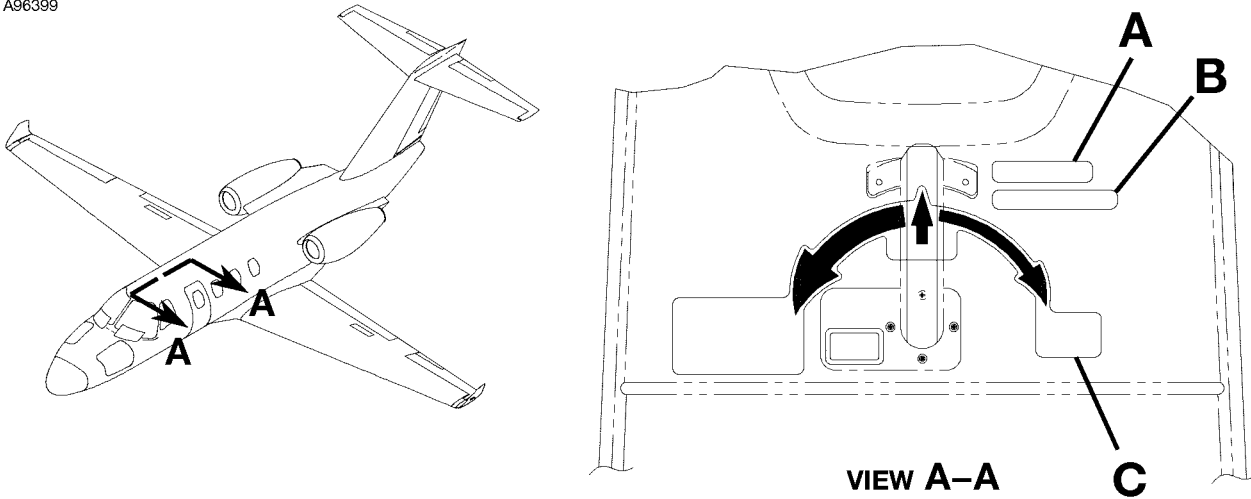
CESSNA®  
**MODEL 525 (SERIALS -0685 AND -0800 AND ON)**  
 ILLUSTRATED PARTS CATALOG

FIG ITEM	PART NUMBER	NOMENCLATURE	UNITS PER ASSY	
			1 2 3 4 5 6 7	
01				
-		BRAZILIAN INTERIOR PLACARDS AND MARKINGS - LAVATORY	0841	& ON RF
1	4316008-33	. PLACARD-TOILET SERVICING TANK . . . . .		01
2	4316008-32	. PLACARD-TOILET CARE . . . . .		01
3	4316008-31	. PLACARD-TOILET SERVICING PORTUGUESE . . . . .		01
4	4316002-36	. PLACARD-TOILET SERVICING ENGLISH . . . . .		01
5	4316002-32	. PLACARD-LIFE VEST . . . . .		01 R
6	4316002-33	. PLACARD-NO BAG/NO SMOKING . . . . .		01 R

- ITEM NOT ILLUSTRATED

CESSNA®  
**MODEL 525 (SERIALS -0685 AND -0800 AND ON)**  
 ILLUSTRATED PARTS CATALOG

A96399



**TO RELEASE: PUSH BUTTON,  
 PULL TRIGGER ON HANDLE.**

1

▲ **DETAIL A**

**PARA ABRIR: PRESSIONE O BOTÃO E  
 PUXE A TRAVA NA ALAVANCA**

2

▲ **DETAIL B**



3

▲ **DETAIL C**

▲ Required for Dispatch

6310T1168  
 AA4711T985-5

BRAZILIAN INTERIOR PLACARDS AND MARKINGS - CABIN DOOR  
 FIGURE 01 (SHEET 1)



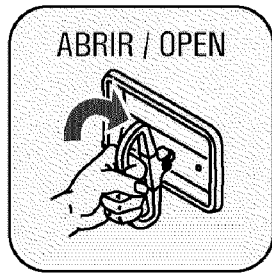
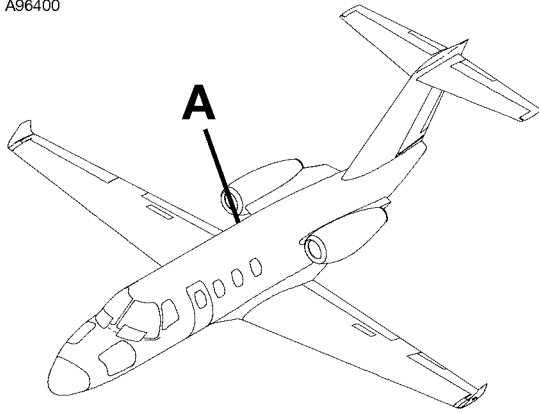
CESSNA®  
**MODEL 525 (SERIALS -0685 AND -0800 AND ON)**  
 ILLUSTRATED PARTS CATALOG

FIG ITEM	PART NUMBER	1 2 3 4 5 6 7	NOMENCLATURE	UNITS PER ASSY		
01						
-			BRAZILIAN INTERIOR PLACARDS AND MARKINGS - CABIN DOOR	0841	& ON	RF R
1	4316002-19		. DECAL-PUSH BUTTON ENGLISH . . . . .			01 R
2	4316008-16		. DECAL-PUSH BUTTON PORTUGUESE . . . . .			01 R
3	4316008-15		. DECAL-HANDLE OPERATION. . . . .			01 R

- ITEM NOT ILLUSTRATED

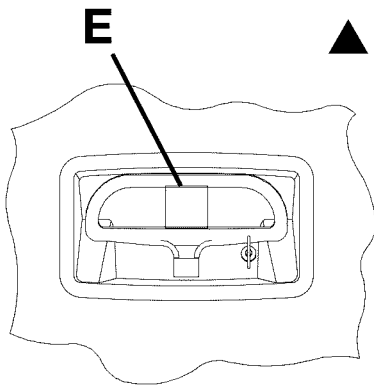
CESSNA®  
**MODEL 525 (SERIALS -0685 AND -0800 AND ON)**  
 ILLUSTRATED PARTS CATALOG

A96400

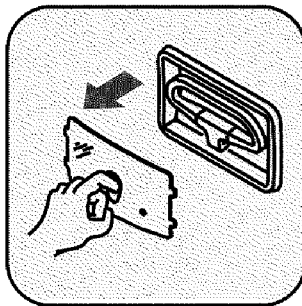


2

▲ **DETAIL E**



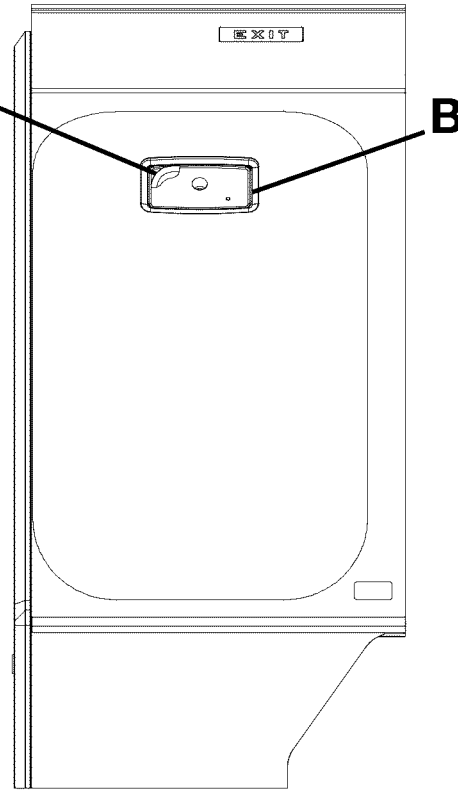
**DETAIL D**



1

▲ **DETAIL C**

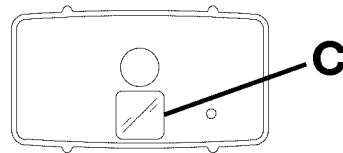
▲ Required for Dispatch



◀ **FWD**

**DETAIL A**

View Looking Outboard



**DETAIL B**

6310T1168  
 A6310T1180  
 B6310T1180  
 D6310T1180

BRAZILIAN INTERIOR PLACARDS AND MARKINGS - ESCAPE HATCH  
 FIGURE 02 (SHEET 1)

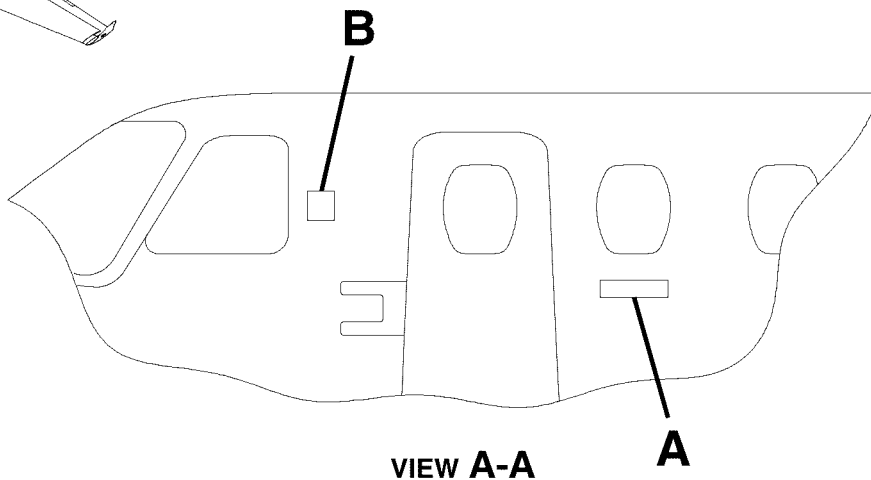
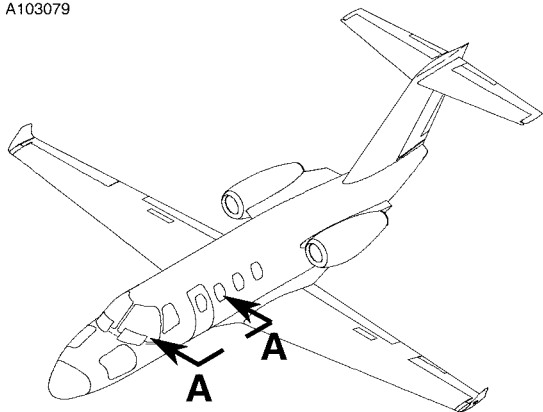
CESSNA®  
**MODEL 525 (SERIALS -0685 AND -0800 AND ON)**  
 ILLUSTRATED PARTS CATALOG

FIG ITEM	PART NUMBER	1 2 3 4 5 6 7	NOMENCLATURE	UNITS PER ASSY
02				
-			BRAZILIAN INTERIOR PLACARDS AND MARKINGS - ESCAPE HATCH	0841 & ON RF R
1	4316002-26		. PLACARD-REMOVE COVER .....	01 R
2	4316018-24		. PLACARD-OPEN .....	01 R

- ITEM NOT ILLUSTRATED

CESSNA®  
MODEL 525 (SERIALS -0685 AND -0800 AND ON)  
ILLUSTRATED PARTS CATALOG

A103079



3  
DETAIL B

CITATION  
M2

1  
DETAIL A

PHILIPPINE EXTERIOR PLACARDS AND MARKINGS - FUSELAGE  
FIGURE 02 (SHEET 1)

6310T1168  
AA6314T1174

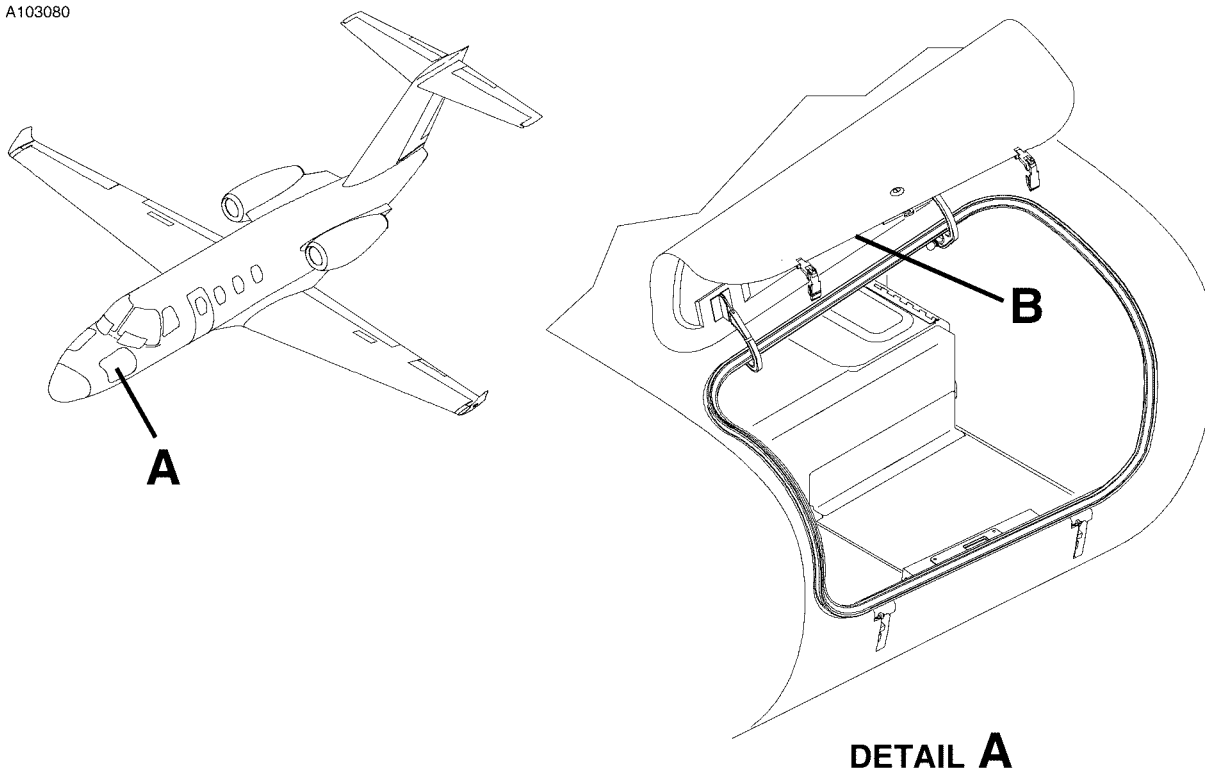
CESSNA®  
**MODEL 525 (SERIALS -0685 AND -0800 AND ON)**  
 ILLUSTRATED PARTS CATALOG

FIG ITEM	PART NUMBER	NOMENCLATURE	UNITS PER ASSY
	1 2 3 4 5 6 7		
02		PHILIPPINE EXTERIOR PLACARDS AND MARKINGS - FUSELAGE	0943 & ON RF R
-			
- 1	4416001-32	. DECAL-M2 INSIGNIA . . . . .	02 R
- 2	4416001-31	. PAINTMASK-M2 INSIGNIA . . . . .	01 R
- 3	6505010-124	. DECAL-CESSNA LOGO . . . . .	02 R
- 4	6505010-123	. PAINTMASK-CESSNA LOGO . . . . .	01 R

- ITEM NOT ILLUSTRATED

CESSNA®  
**MODEL 525 (SERIALS -0685 AND -0800 AND ON)**  
ILLUSTRATED PARTS CATALOG

A103080



**MAXIMUM WEIGHT ALLOWANCE  
400 LBS (181 KG).  
MAXIMUM FLOOR LOADING  
35 LBS/FT<sup>2</sup> (170 KG/M<sup>2</sup>).  
SEE AFM FOR WEIGHT  
AND BALANCE DATA.**

1

▲ **DETAIL B**

▲ Required for Dispatch

PHILIPPINE EXTERIOR PLACARDS AND MARKINGS - NOSE BAGGAGE  
FIGURE 01 (SHEET 1)

6310T1168  
A6313T1003

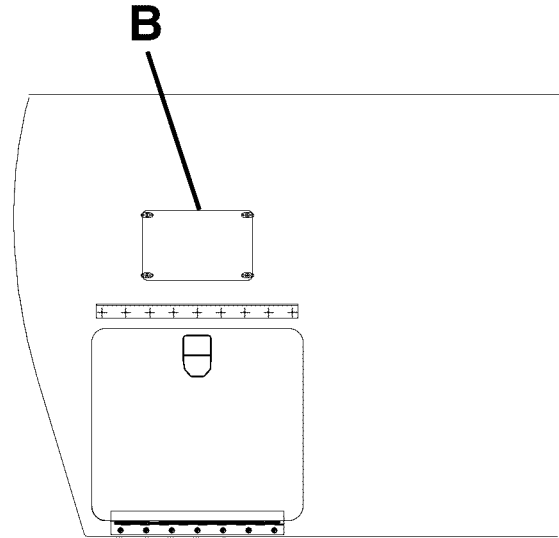
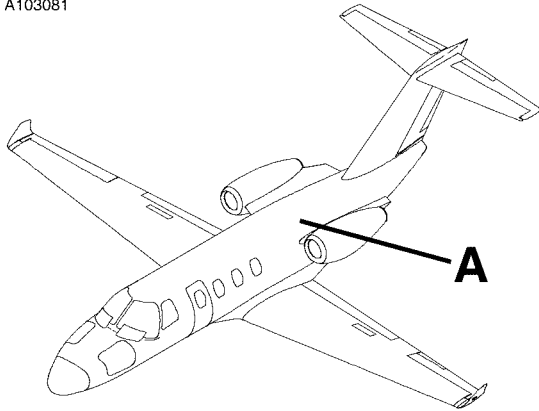
CESSNA®  
**MODEL 525 (SERIALS -0685 AND -0800 AND ON)**  
 ILLUSTRATED PARTS CATALOG

FIG ITEM	PART NUMBER	1 2 3 4 5 6 7	NOMENCLATURE	UNITS PER ASSY		
01						
-			PHILIPPINE EXTERIOR PLACARDS AND MARKINGS - NOSE BAGGAGE	0943	& ON	RF R
1	4416000-163		. PLACARD-NOSE BAGGAGE WEIGHT . . . . .			02 R

- ITEM NOT ILLUSTRATED

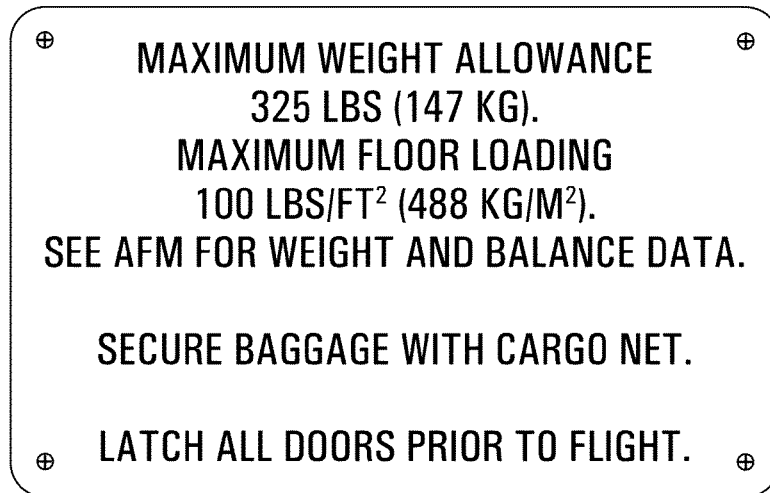
CESSNA®  
**MODEL 525 (SERIALS -0685 AND -0800 AND ON)**  
ILLUSTRATED PARTS CATALOG

A103081



**DETAIL A**

Looking Forward at Left Hand Side Forward Wall



1

**▲ DETAIL B**

**▲** Required for Dispatch

6310T1168  
A6312T1220

PHILIPPINE EXTERIOR PLACARDS AND MARKINGS - AFT BAGGAGE  
FIGURE 02 (SHEET 1)



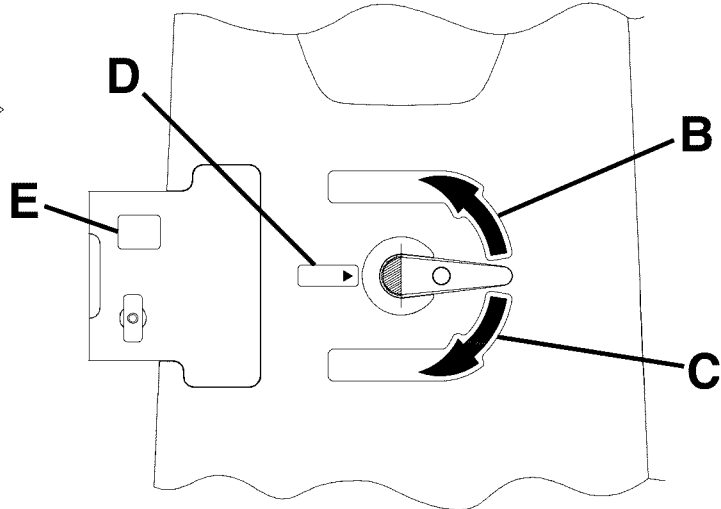
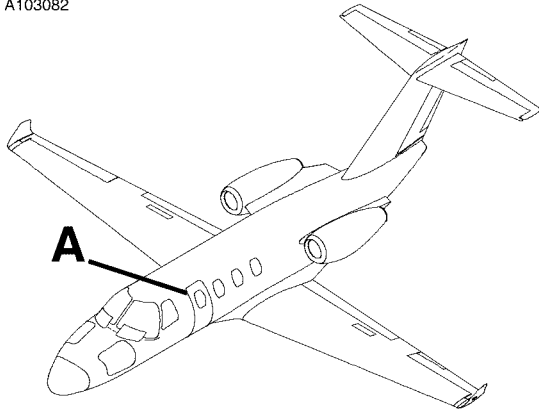
CESSNA®  
**MODEL 525 (SERIALS -0685 AND -0800 AND ON)**  
 ILLUSTRATED PARTS CATALOG

FIG ITEM	PART NUMBER	NOMENCLATURE	UNITS	
			PER	ASSY
02				
-		PHILIPPINE EXTERIOR PLACARDS AND MARKINGS - AFT BAGGAGE	0943	& ON RF R
1	4416004-58	. PLACARD-MAX BAGGAGE WEIGHT 325LB . . . . .		01 R
		ATTACHING PARTS		
- 2	MS35214-14	. SCREW . . . . .		04 R
- 3	MS21069L04	. NUTPLATE . . . . .		04 R
		—*—		

- ITEM NOT ILLUSTRATED

CESSNA®  
**MODEL 525 (SERIALS -0685 AND -0800 AND ON)**  
 ILLUSTRATED PARTS CATALOG

A103082



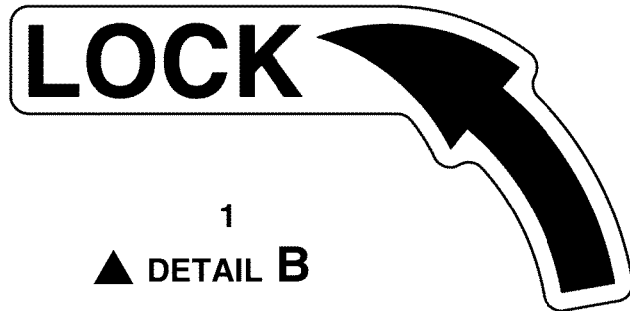
**DETAIL A**

(View Looking Inboard at Entry Door)

**DOOR CATCH  
 RELEASE INSIDE  
 BEHIND THIS  
 PLACARD. RAISE  
 STEPS BEFORE  
 CLOSING DOOR.**

4

**DETAIL E**



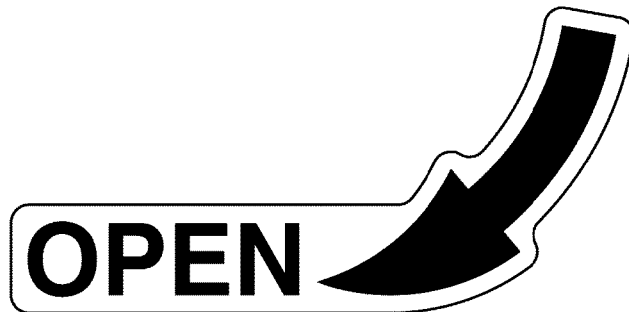
1

▲ **DETAIL B**



3

▲ **DETAIL D**



2

▲ **DETAIL C**

▲ Required for Dispatch

6310T1168  
 A6319T1646

PHILIPPINE EXTERIOR PLACARDS AND MARKINGS - CABIN DOOR  
 FIGURE 01 (SHEET 1)

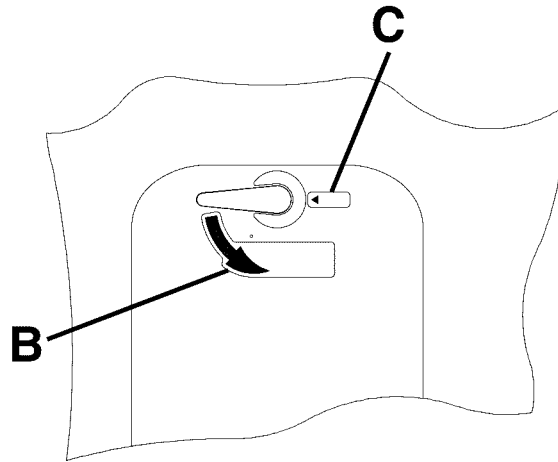
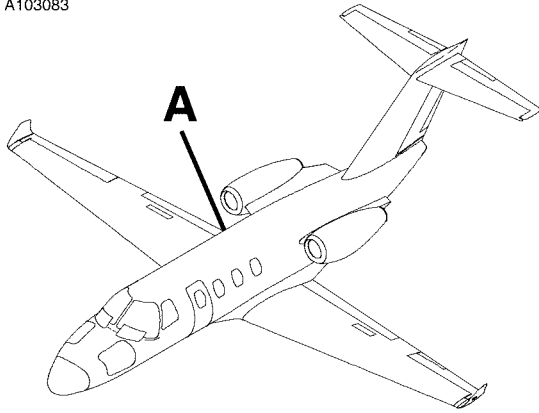
CESSNA®  
**MODEL 525 (SERIALS -0685 AND -0800 AND ON)**  
 ILLUSTRATED PARTS CATALOG

FIG ITEM	PART NUMBER	1 2 3 4 5 6 7	NOMENCLATURE	UNITS PER ASSY		
01						
-			PHILIPPINE EXTERIOR PLACARDS AND MARKINGS - CABIN DOOR	0943	& ON	RF R
1	4316002-16		. DECAL-LOCK . . . . .			01 R
2	4316002-17		. DECAL-OPEN . . . . .			01 R
3	4316002-15		. DECAL-PUSH . . . . .			01 R
4	4416000-172		. PLACARD-PRECATCH HANDLE . . . . .			01 R

- ITEM NOT ILLUSTRATED

CESSNA®  
MODEL 525 (SERIALS -0685 AND -0800 AND ON)  
ILLUSTRATED PARTS CATALOG

A103083



**DETAIL A**  
Looking Inboard at Escape Hatch



1  
▲ **DETAIL B**



2  
▲ **DETAIL C**

▲ Required for Dispatch

6310T1168  
A4711953-2

PHILIPPINE EXTERIOR PLACARDS AND MARKINGS - ESCAPE HATCH  
FIGURE 02 (SHEET 1)

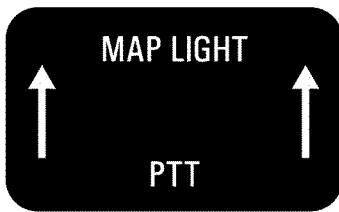
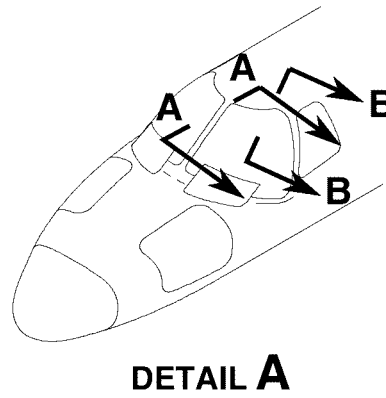
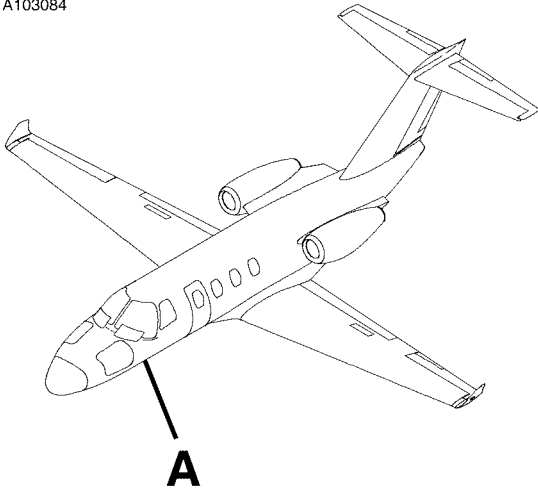
CESSNA®  
**MODEL 525 (SERIALS -0685 AND -0800 AND ON)**  
 ILLUSTRATED PARTS CATALOG

FIG ITEM	PART NUMBER	1 2 3 4 5 6 7	NOMENCLATURE	UNITS PER ASSY		
02						
-			PHILIPPINE EXTERIOR PLACARDS AND MARKINGS - ESCAPE HATCH	0943	& ON	RF R
1	4316002-1		. DECAL-EMERGENCY EXIT (OPEN) . . . . .			01 R
2	4316002-2		. DECAL-EMERGENCY EXIT (PUSH) . . . . .			01 R

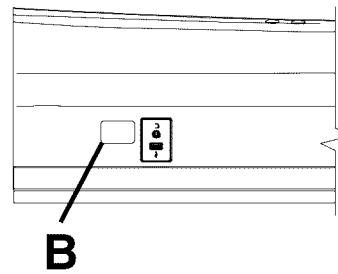
- ITEM NOT ILLUSTRATED

CESSNA®  
**MODEL 525 (SERIALS -0685 AND -0800 AND ON)**  
 ILLUSTRATED PARTS CATALOG

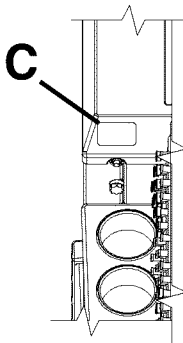
A103084



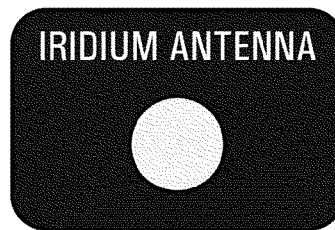
**2**  
**DETAIL C**



**VIEW A-A**



**VIEW B-B**  
 View Looking at Left Hand Side Console



**1**  
**DETAIL B**

6310T1168  
 A6310T1168  
 AA6310T1183  
 BB6310T1184

PHILIPPINE INTERIOR PLACARDS AND MARKINGS - LH CONSOLE  
 FIGURE 04 (SHEET 1)

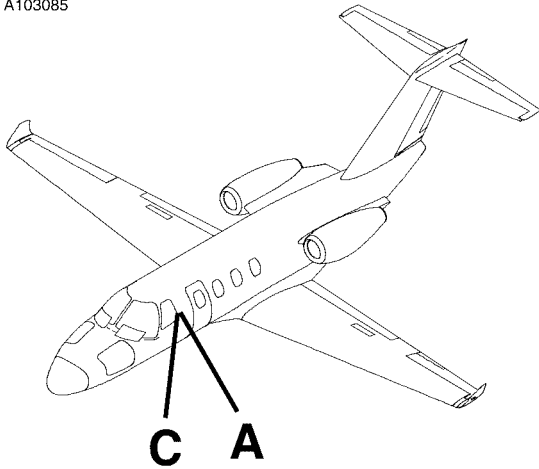
CESSNA®  
**MODEL 525 (SERIALS -0685 AND -0800 AND ON)**  
 ILLUSTRATED PARTS CATALOG

FIG ITEM	PART NUMBER	1 2 3 4 5 6 7	NOMENCLATURE	UNITS PER ASSY		
04			PHILIPPINE INTERIOR PLACARDS AND MARKINGS - LH CONSOLE	0943	& ON	RF R
-						
1	4316002-35		. PLACARD-IRIDIUM ANTENNA . . . . .			01 R
2	4316002-38		. PLACARD-MAP LIGHT . . . . .			02 R

- ITEM NOT ILLUSTRATED

CESSNA®  
**MODEL 525 (SERIALS -0685 AND -0800 AND ON)**  
 ILLUSTRATED PARTS CATALOG

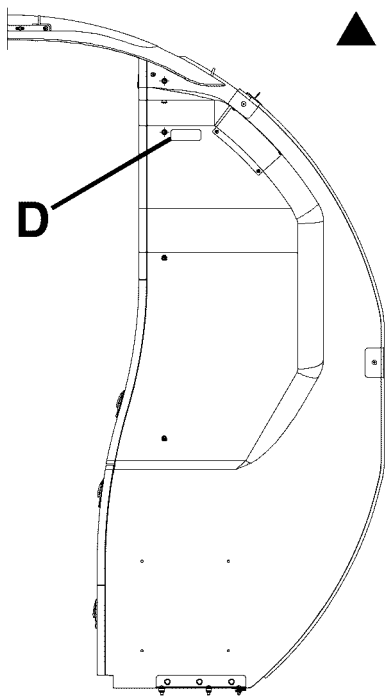
A103085



STOW CURTAIN FOR  
 TAXI, TAKEOFF, AND LANDING.

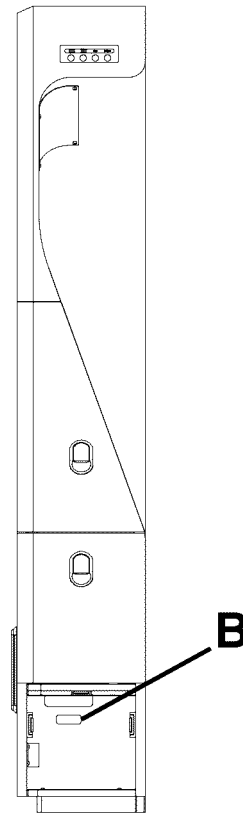
2

▲ **DETAIL D**



**DETAIL C**

Looking Aft at Left Hand Cabinet Assembly



**DETAIL A**

**CABIN BRIEFER  
 PROGRAM LOAD PORT**

1

**DETAIL B**

▲ Required for Dispatch

PHILIPPINE INTERIOR PLACARDS AND MARKINGS - FLIGHT COMPARTMENT  
 FIGURE 05 (SHEET 1)

6310T1168  
 A471T1953  
 C471T1953



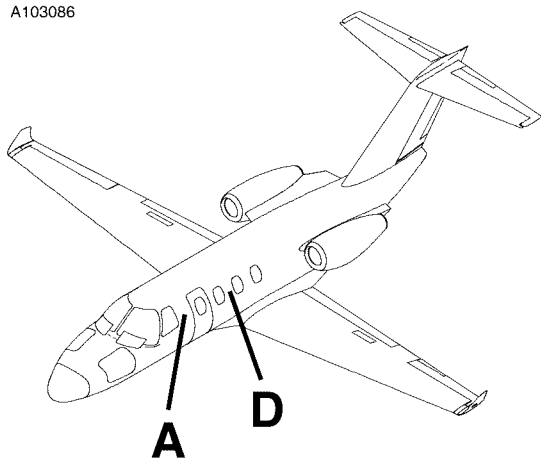
CESSNA®  
**MODEL 525 (SERIALS -0685 AND -0800 AND ON)**  
 ILLUSTRATED PARTS CATALOG

FIG ITEM	PART NUMBER	1 2 3 4 5 6 7	NOMENCLATURE	UNITS PER ASSY		
05			PHILIPPINE INTERIOR PLACARDS AND MARKINGS - FLIGHT COMPARTMENT	0943	& ON	RF R
-			. PLACARD-CABIN BRIEFER PORT . . . . .			01 R
1	4316002-40		. PLACARD-CURTAIN STOWAGE . . . . .			01 R
2	4316002-8					

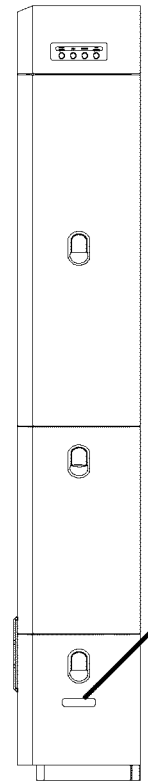
- ITEM NOT ILLUSTRATED

CESSNA®  
**MODEL 525 (SERIALS -0685 AND -0800 AND ON)**  
 ILLUSTRATED PARTS CATALOG

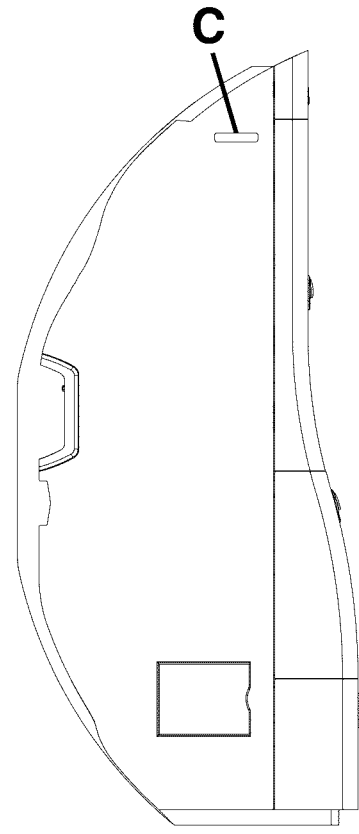
A103086



**A**



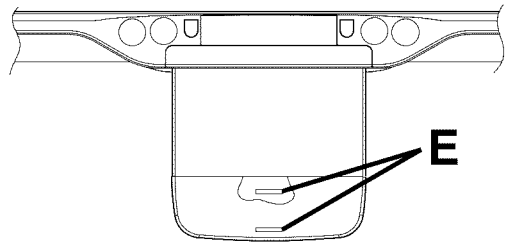
**DETAIL A**



**VIEW A-A**

**STOW FOR TAXI, TAKEOFF, AND LANDING.**

**3**  
 ▲ **DETAIL E**



**DETAIL D**

Looking Down on Right Hand Side Deployed Table,  
 Left Hand Side Opposite

**CLOSE ALL CABINET DOORS AND DRAWERS  
 FOR TAXI, TAKEOFF, AND LANDING.**

**2**  
 ▲ **DETAIL C**

**NO CIGARETTE DISPOSAL;  
 METAL TRASH LINER REQUIRED.**

**1**  
 ▲ **DETAIL B**

▲ Required for Dispatch

6310T1168  
 A6320T1021  
 AA6320T1021  
 D6320T1021

PHILIPPINE INTERIOR PLACARDS AND MARKINGS - FORWARD CABIN  
 FIGURE 01 (SHEET 1)

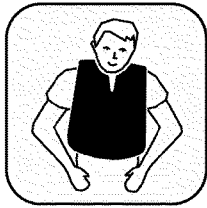
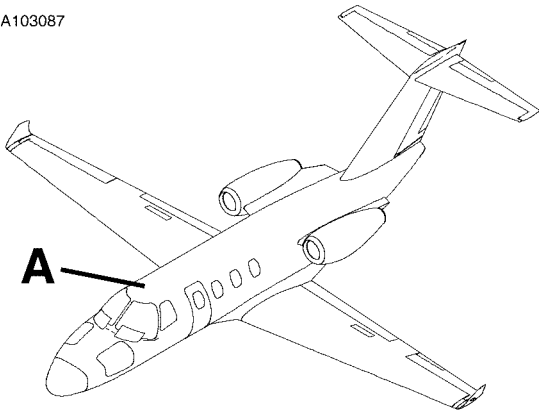
CESSNA®  
**MODEL 525 (SERIALS -0685 AND -0800 AND ON)**  
 ILLUSTRATED PARTS CATALOG

FIG ITEM	PART NUMBER	1 2 3 4 5 6 7	NOMENCLATURE	UNITS PER ASSY		
01			PHILIPPINE INTERIOR PLACARDS AND MARKINGS - FORWARD CABIN	0943	& ON	RF R
-						
1	4316002-20		. PLACARD-TRASH CONTAINER . . . . .			01 R
2	4316002-23		. PLACARD-CABINET DOOR INSTRUCTIONS . . . . .			01 R
3	4316002-200		. PLACARD-TABLE INSTRUCTIONS . . . . .			04 R

- ITEM NOT ILLUSTRATED

CESSNA®  
**MODEL 525 (SERIALS -0685 AND -0800 AND ON)**  
 ILLUSTRATED PARTS CATALOG

A103087



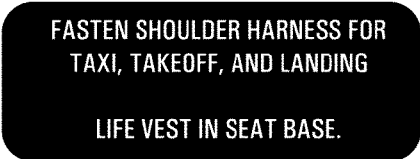
78

▲ **DETAIL C**



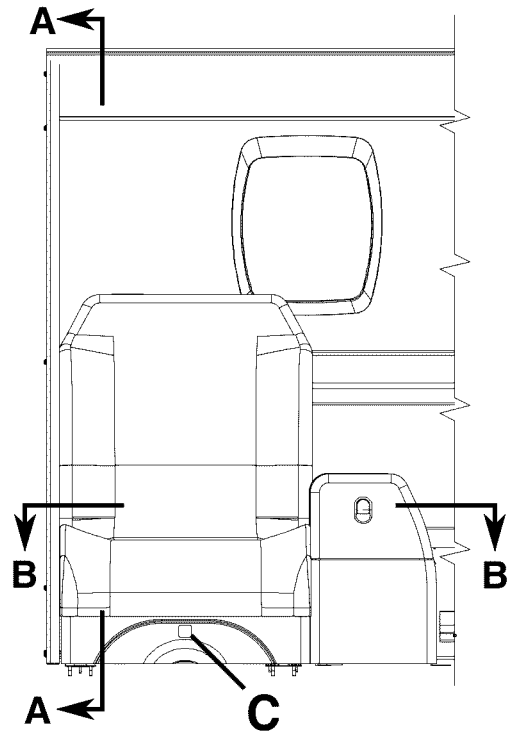
76

**DETAIL D**



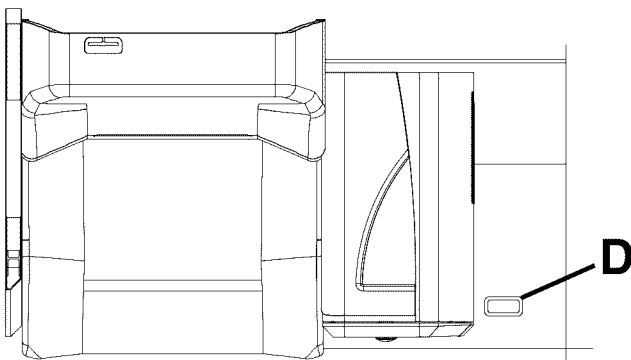
75

▲ **DETAIL B**

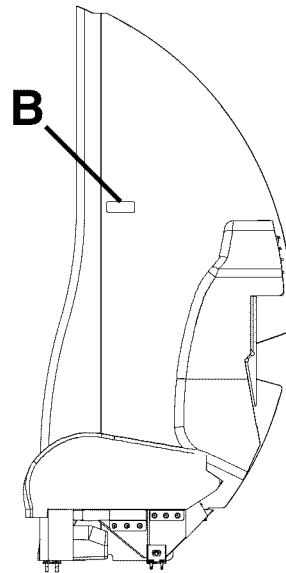


**DETAIL A**

Looking Outboard at Side Facing Seat



**VIEW B-B**



**VIEW A-A**

▲ Required for Dispatch

6310T1168  
 A6320T1021  
 AA6320T1021  
 BB6320T1021

PHILIPPINE INTERIOR PLACARDS AND MARKINGS - FORWARD CABIN  
 FIGURE 01 (SHEET 2)

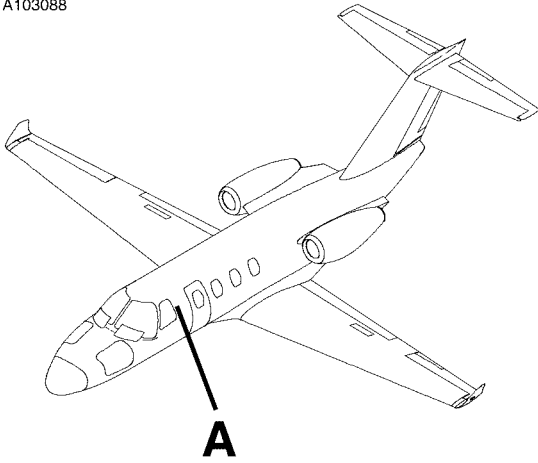
CESSNA®  
**MODEL 525 (SERIALS -0685 AND -0800 AND ON)**  
 ILLUSTRATED PARTS CATALOG

FIG ITEM	PART NUMBER	NOMENCLATURE	UNITS PER ASSY
	1 2 3 4 5 6 7		
01			
75	4316002-21	. PLACARD-SIDE FACING SEAT INSTRUCTIONS . . . . .	01 R
76	4316002-24	. PLACARD-AIR INLET . . . . .	01 R
- 77	4717018-3	. PLACARD-COVER . . . . .	01 R
78	4316002-32	. PLACARD-LIFE VEST . . . . .	01 R

- ITEM NOT ILLUSTRATED

CESSNA®  
**MODEL 525 (SERIALS -0685 AND -0800 AND ON)**  
ILLUSTRATED PARTS CATALOG

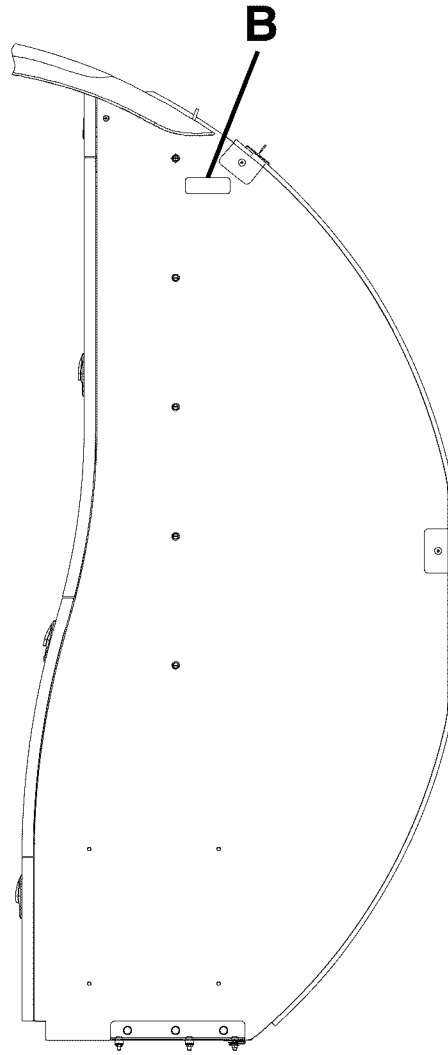
A103088



**STOW CURTAIN FOR  
TAXI, TAKEOFF, AND LANDING.**

**150**

**▲ DETAIL B**



**DETAIL A**

View Looking Aft at Left Hand Side  
Forward Refreshment Center

**▲ Required for Dispatch**

PHILIPPINE INTERIOR PLACARDS AND MARKINGS - FORWARD CABIN  
FIGURE 01 (SHEET 3)

6310T1168  
A4711953-25

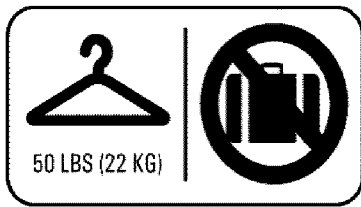
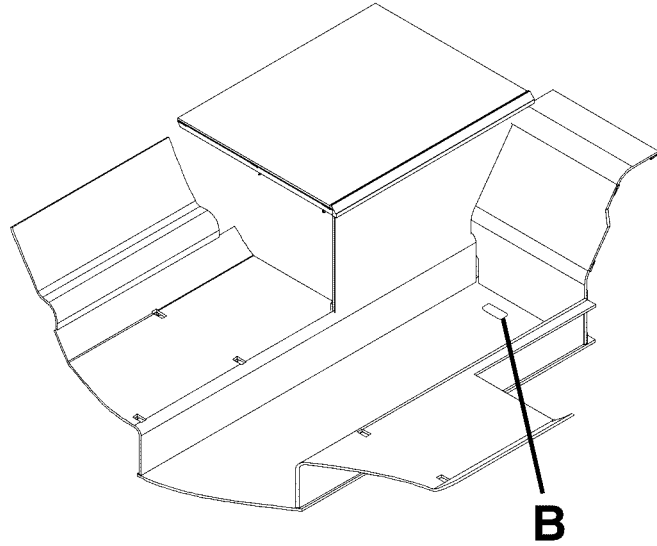
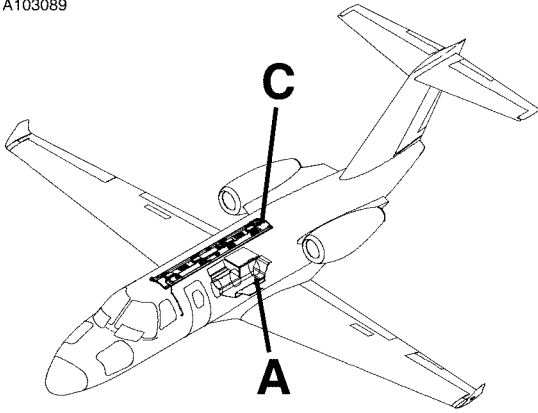
CESSNA®  
**MODEL 525 (SERIALS -0685 AND -0800 AND ON)**  
 ILLUSTRATED PARTS CATALOG

FIG ITEM	PART NUMBER	1 2 3 4 5 6 7	NOMENCLATURE	UNITS PER ASSY
01 150	4316002-8		. PLACARD-CURTAIN INSTRUCTIONS . . . . .	01 R

- ITEM NOT ILLUSTRATED

CESSNA®  
**MODEL 525 (SERIALS -0685 AND -0800 AND ON)**  
 ILLUSTRATED PARTS CATALOG

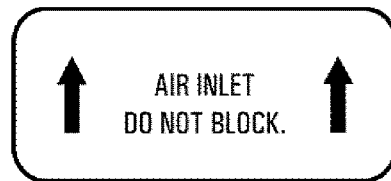
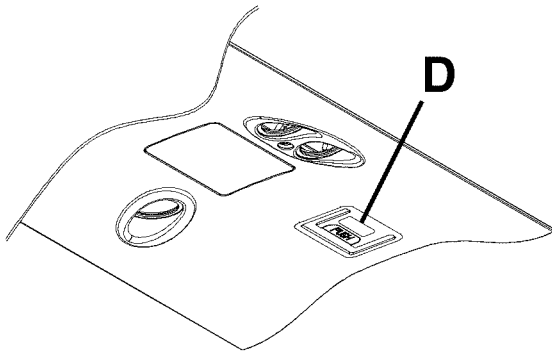
A103089



3

▲ **DETAIL D**

**DETAIL A**



1

**DETAIL B**



**DETAIL C**

▲ Required for Dispatch

6310T1168  
 A6312T1217  
 C6312T1218

PHILIPPINE INTERIOR PLACARDS AND MARKINGS - AFT CABIN  
 FIGURE 02 (SHEET 1)



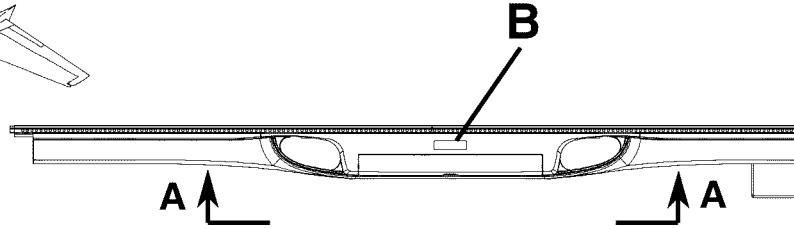
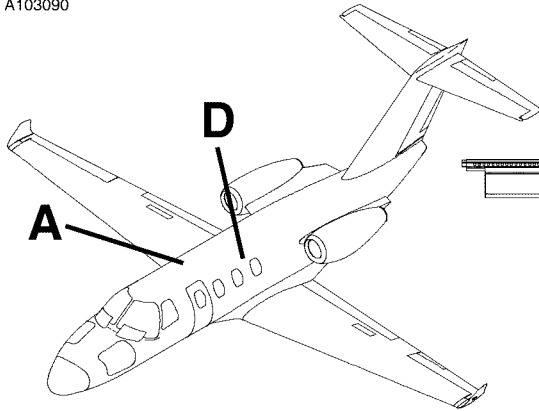
CESSNA®  
**MODEL 525 (SERIALS -0685 AND -0800 AND ON)**  
 ILLUSTRATED PARTS CATALOG

FIG ITEM	PART NUMBER	1 2 3 4 5 6 7	NOMENCLATURE	UNITS PER ASSY		
02						
-			PHILIPPINE INTERIOR PLACARDS AND MARKINGS - AFT CABIN	0943	& ON	RF R
1	4316002-24		. PLACARD-AIR INLET . . . . .			01 R
2	4717018-3		. PLACARD-COVER . . . . .			01 R
3	4316002-34		. PLACARD-COAT ROD . . . . .			01 R

- ITEM NOT ILLUSTRATED

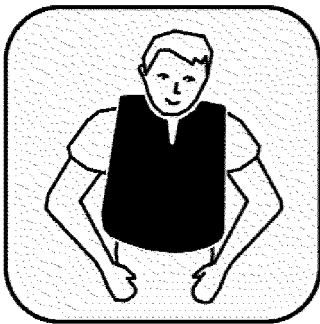
CESSNA®  
**MODEL 525 (SERIALS -0685 AND -0800 AND ON)**  
 ILLUSTRATED PARTS CATALOG

A103090



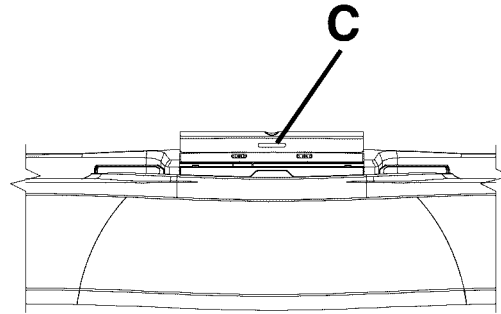
**DETAIL A**

Looking Down on Right Hand Sideledge



3

▲ **DETAIL E**



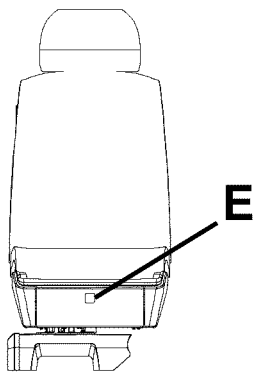
**VIEW A-A**

Table Lid Shown in Upright Position

**FOR TAXI, TAKEOFF, AND LANDING: RAISE SEAT BACK; EXTEND HEADREST; TRACK SEAT AWAY FROM TABLE THEN OUTBOARD; FASTEN SHOULDER HARNESS. LIFE VEST IN SEAT BASE.**

1

▲ **DETAIL B**



**DETAIL D**

**CLOSE LID FOR TAXI, TAKEOFF, AND LANDING.**

2

▲ **DETAIL C**

▲ Required for Dispatch

6310T1168  
 A6319T1647  
 AA6319T1647  
 D6319T1648

PHILIPPINE INTERIOR PLACARDS AND MARKINGS - CABIN SEATS  
 FIGURE 04 (SHEET 1)

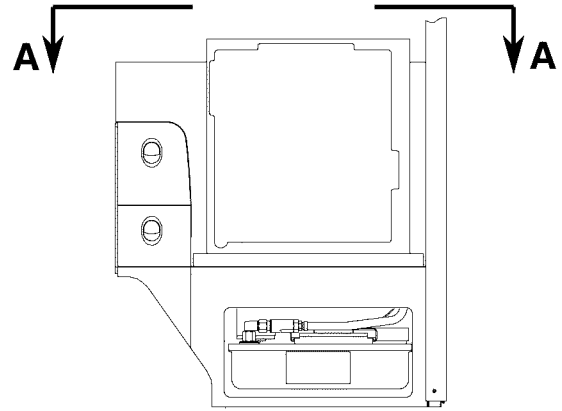
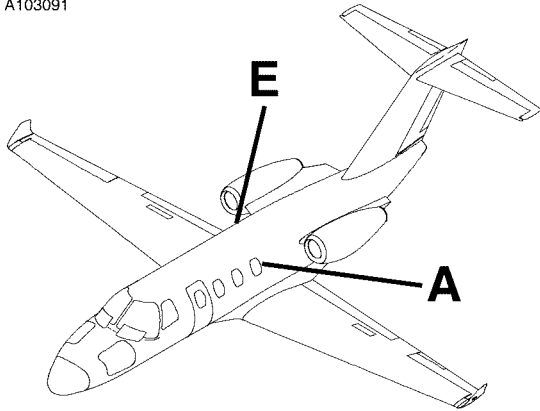
CESSNA®  
**MODEL 525 (SERIALS -0685 AND -0800 AND ON)**  
 ILLUSTRATED PARTS CATALOG

FIG ITEM	PART NUMBER	NOMENCLATURE	UNITS PER ASSY		
			1	2	3
04					
-		PHILIPPINE INTERIOR PLACARDS AND MARKINGS - CABIN SEATS	0943	& ON	RF R
1	4316002-47	. PLACARD-PASSENGER SEAT INSTRUCTIONS . . . . .			02 R
2	4316002-28	. PLACARD-TABLE LID INSTRUCTIONS . . . . .			02 R
3	4316002-32	. PLACARD-LIFEVEST . . . . .			04 R

- ITEM NOT ILLUSTRATED

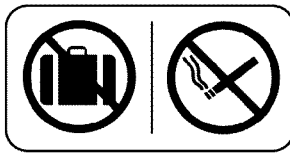
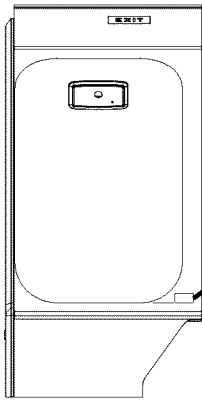
CESSNA®  
**MODEL 525 (SERIALS -0685 AND -0800 AND ON)**  
 ILLUSTRATED PARTS CATALOG

A103091



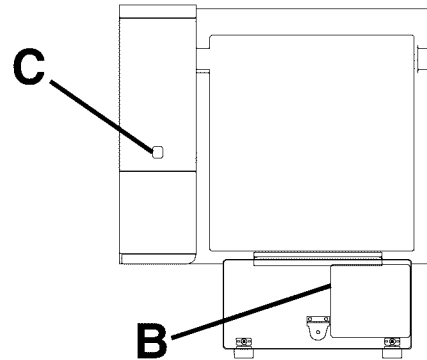
**DETAIL A**

View Looking Outboard



4

▲ **DETAIL F**



**VIEW A-A**

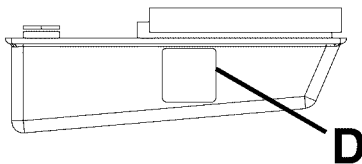
**DETAIL E**

View Looking Outboard

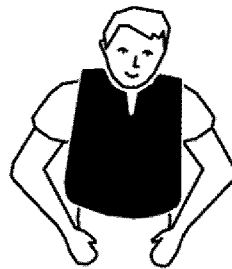
TOILET CHEMICAL  
 IS CORROSIVE.  
 USE EXTREME CARE  
 TO PREVENT SPILLAGE.  
 FOLLOW SERVICING  
 INSTRUCTIONS CAREFULLY.  
 CLEAN ANY SPILLAGE  
 IMMEDIATELY AND  
 REPORT IT TO THE CREW.

1

**DETAIL D**



**VIEW B-B**



3

▲ **DETAIL C**

**DETAIL A**  
 INSTALLED

**DETAIL B**  
 REMOVED

1 SLIDES (2 EACH)  
 (INSERT INTO SLIDE PLATE ASSEMBLY ITEM 6.)  
 2 PRES LOK FASTENERS (2 EACH)  
 (SHOWN LOCKED IN DETAIL A, UNLOCKED IN DETAIL B.)  
 3 KNIFE VALVE HANDLE  
 (KNIFE VALVE OPENED EXCEPT FOR TANK REMOVAL.)  
 (SHOWN OPEN IN DETAIL A, CLOSED IN DETAIL B.)  
 4 FLUSH HOSE (BUCK CONNECT)  
 5 RECESSED CARRYING HANDLE  
 6 SLIDE PLATE ASSEMBLY

**CAUTION: TO AVOID SPILLAGE**  
 DO NOT REMOVE TANK BEFORE CLOSING KNIFE VALVE ITEM 3.  
 PROPERLY INSTALL SLIDES INTO SLIDE PLATE.  
 VISUALLY INSPECT THAT NO GAP EXISTS BETWEEN TANK AND SLIDE PLATE GASKET.  
 KNIFE VALVE TO BE OPENED BEFORE FLIGHT.

2

**DETAIL B**

6310T1168  
 A6319T1649  
 C6319T1650

▲ Required for Dispatch

PHILIPPINE INTERIOR PLACARDS AND MARKINGS - LAVATORY  
 FIGURE 01 (SHEET 1)

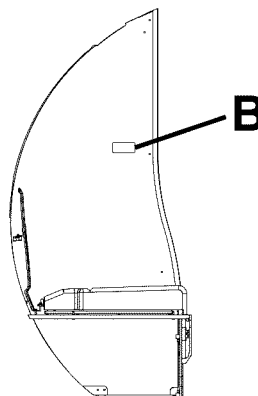
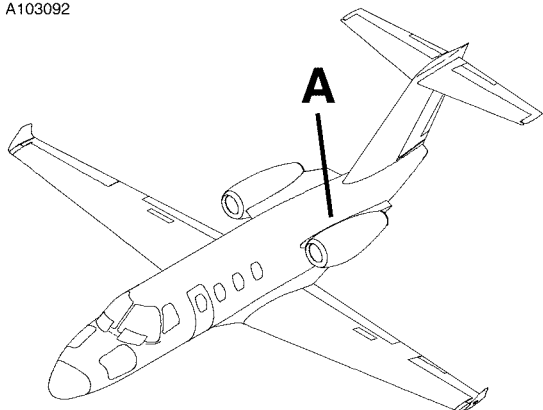
CESSNA®  
**MODEL 525 (SERIALS -0685 AND -0800 AND ON)**  
 ILLUSTRATED PARTS CATALOG

FIG ITEM	PART NUMBER	NOMENCLATURE	UNITS	
			PER	ASSY
01				
-		PHILIPPINE INTERIOR PLACARDS AND MARKINGS - LAVATORY	0943	& ON RF R
1	4316002-30	. PLACARD-TOILET CARE . . . . .		01 R
2	4316002-36	. PLACARD-TOILET SERVICING . . . . .		01 R
3	4316002-32	. PLACARD-LIFEVEST . . . . .		01 R
4	4316002-33	. PLACARD-NO BAGGAGE/NO SMOKING . . . . .		01 R

- ITEM NOT ILLUSTRATED

CESSNA®  
**MODEL 525 (SERIALS -0685 AND -0800 AND ON)**  
ILLUSTRATED PARTS CATALOG

A103092



**DETAIL A**

View Looking Forward at Left Hand Side  
Toilet Assembly and Left Hand Side Aft Divider

FOR TAXI, TAKEOFF, AND LANDING:  
LATCH SLIDING DOOR OPEN;  
CLOSE ALL CABINET DOORS AND DRAWERS;  
FASTEN SHOULDER HARNESS.

LIFE VEST IN SEAT CABINET.

75

▲ **DETAIL B**

▲ Required for Dispatch

PHILIPPINE INTERIOR PLACARDS AND MARKINGS - LAVATORY  
FIGURE 01 (SHEET 2)

6310T1168  
A6319T1650

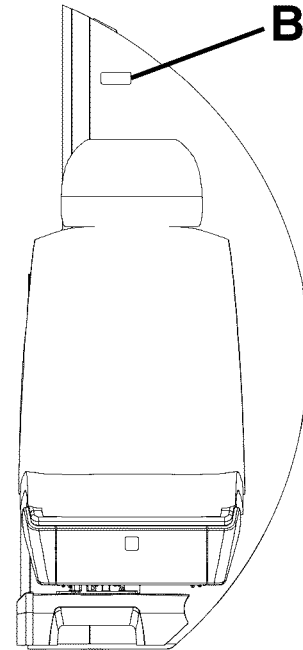
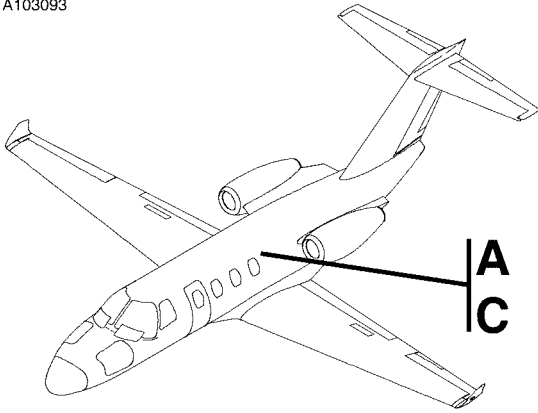
CESSNA®  
**MODEL 525 (SERIALS -0685 AND -0800 AND ON)**  
 ILLUSTRATED PARTS CATALOG

FIG ITEM	PART NUMBER	1 2 3 4 5 6 7	NOMENCLATURE	UNITS PER ASSY
01 75	4316002-42		. PLACARD-LH BELTED TOILET INSTRUCTIONS (DOOR) . . . . .	01 R

- ITEM NOT ILLUSTRATED

CESSNA®  
**MODEL 525 (SERIALS -0685 AND -0800 AND ON)**  
 ILLUSTRATED PARTS CATALOG

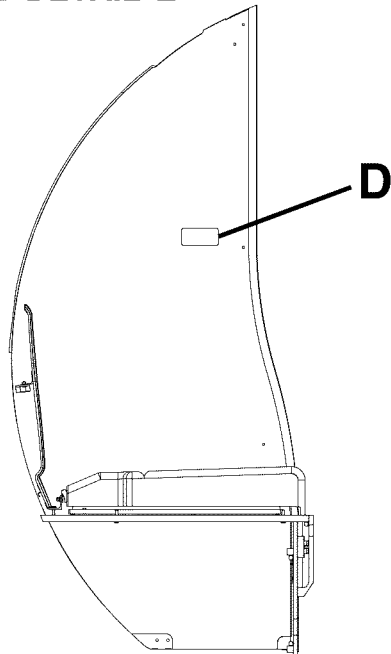
A103093



**FOR TAXI, TAKEOFF, AND LANDING:  
 STOW CURTAIN;  
 CLOSE ALL CABINET DOORS AND DRAWERS;  
 FASTEN SHOULDER HARNESS.  
 LIFE VEST IN SEAT CABINET.**

**DETAIL A**  
 Looking Aft

**3**  
 ▲ **DETAIL D**



**NO SMOKING IN LAVATORY.  
 STOW CURTAIN  
 FOR TAXI, TAKEOFF, AND LANDING.**

**1**  
 ▲ **DETAIL B**

**NO SMOKING IN LAVATORY.  
 LATCH SLIDING DOOR OPEN  
 FOR TAXI, TAKEOFF, AND LANDING.**

**2**  
 ▲ **DETAIL B**

**DETAIL C**  
 Looking Forward

▲ Required for Dispatch

6310T1168  
 A6319T1649  
 C6319T1650

PHILIPPINE INTERIOR PLACARDS AND MARKINGS - DIVIDERS  
 FIGURE 02 (SHEET 1)



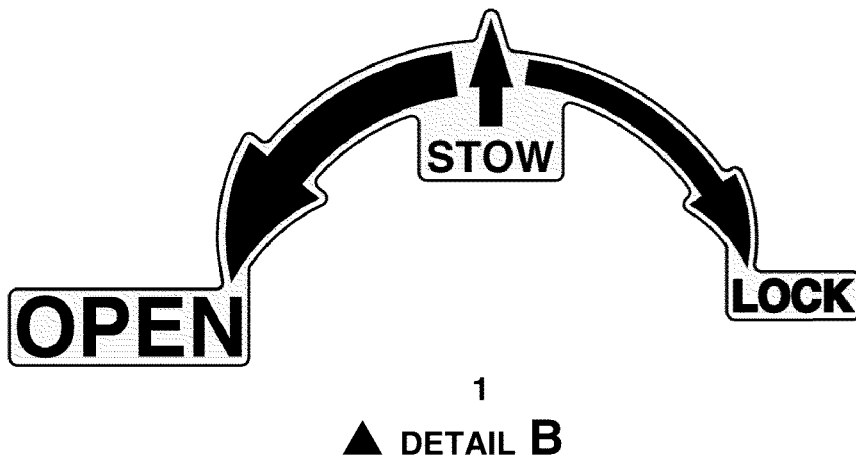
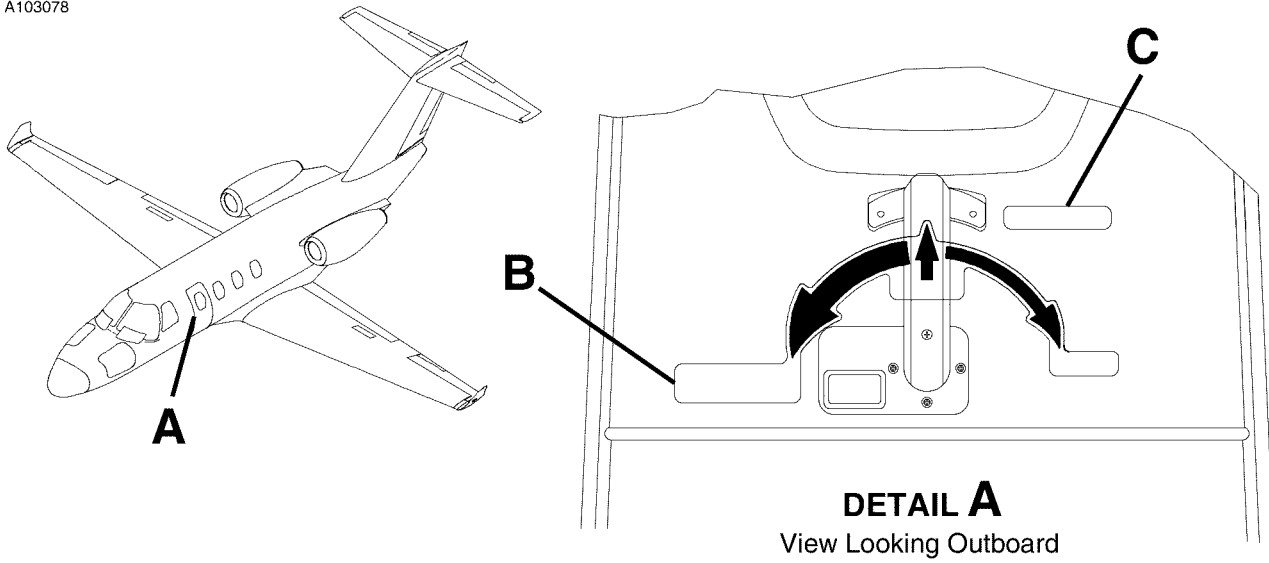
CESSNA®  
**MODEL 525 (SERIALS -0685 AND -0800 AND ON)**  
 ILLUSTRATED PARTS CATALOG

FIG ITEM	PART NUMBER	1 2 3 4 5 6 7	NOMENCLATURE	UNITS PER ASSY
02				
-			PHILIPPINE INTERIOR PLACARDS AND MARKINGS - DIVIDERS	0943 & ON RF R
1	4316002-25		. PLACARD-AFT CABIN INSTRUCTIONS . . . . .	01 R
2	4316002-41		. PLACARD-AFT CABIN INSTRUCTIONS (DOOR) . . . . .	01 R
3	4316002-29		. PLACARD-AFT CABIN INSTRUCTIONS . . . . .	01 R

- ITEM NOT ILLUSTRATED

CESSNA®  
**MODEL 525 (SERIALS -0685 AND -0800 AND ON)**  
 ILLUSTRATED PARTS CATALOG

A103078



**TO RELEASE: PUSH BUTTON,  
 PULL TRIGGER ON HANDLE.**

2  
 ▲ DETAIL C

▲ Required for Dispatch

6310T1168  
 A6319T1645

PHILIPPINE INTERIOR PLACARDS AND MARKINGS - CABIN DOOR  
 FIGURE 01 (SHEET 1)

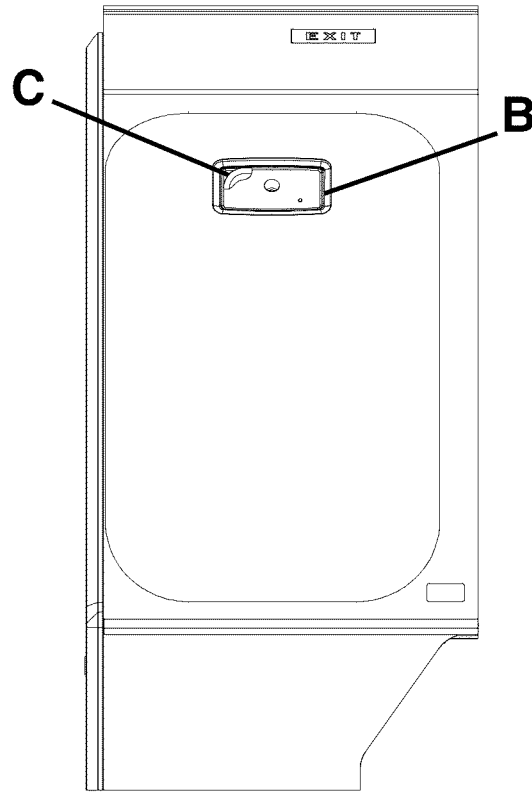
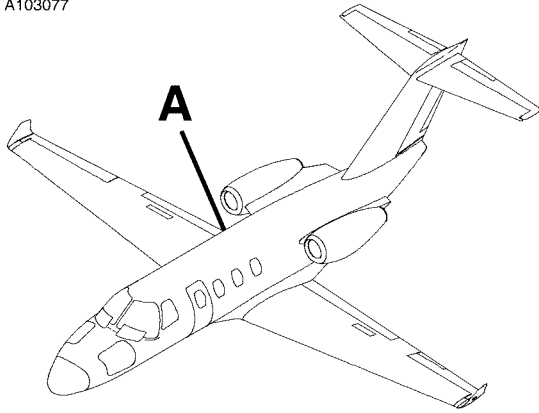
CESSNA®  
**MODEL 525 (SERIALS -0685 AND -0800 AND ON)**  
 ILLUSTRATED PARTS CATALOG

FIG ITEM	PART NUMBER	1 2 3 4 5 6 7	NOMENCLATURE	UNITS PER ASSY		
01						
-			PHILIPPINE INTERIOR PLACARDS AND MARKINGS - CABIN DOOR	0943	& ON	RF R
1	4316002-18		. DECAL-HANDLE OPERATION . . . . .			01 R
2	4316002-19		. DECAL-PUSH BUTTON . . . . .			01 R

- ITEM NOT ILLUSTRATED

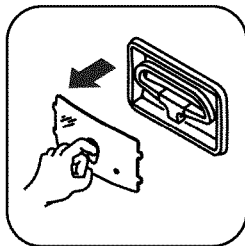
CESSNA®  
**MODEL 525 (SERIALS -0685 AND -0800 AND ON)**  
 ILLUSTRATED PARTS CATALOG

A103077



1

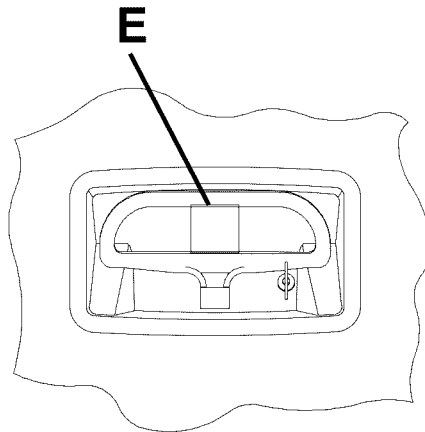
▲ **DETAIL E**



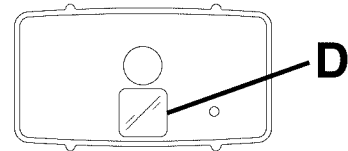
2

▲ **DETAIL D**

**DETAIL A**  
 View Looking Outboard



**DETAIL C**



**DETAIL B**

▲ Required for Dispatch

PHILIPPINE INTERIOR PLACARDS AND MARKINGS - ESCAPE HATCH  
 FIGURE 02 (SHEET 1)

6310T1168  
 A6310T1180  
 B6310T1180  
 C6310T1180

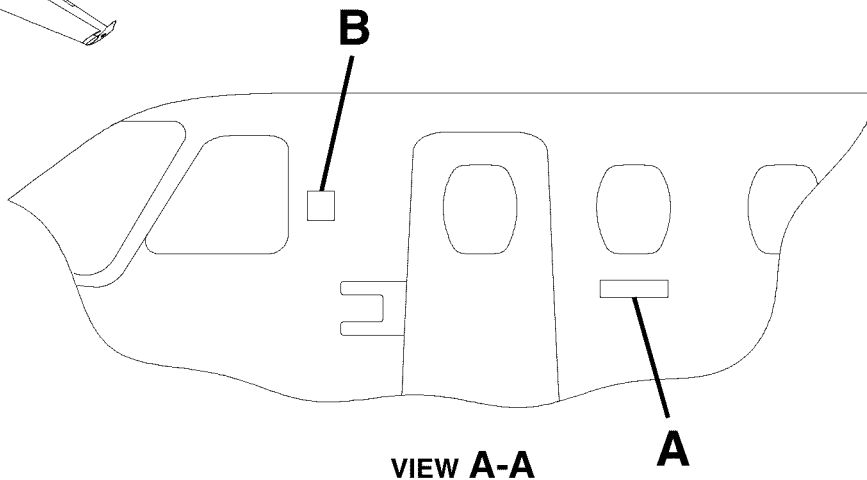
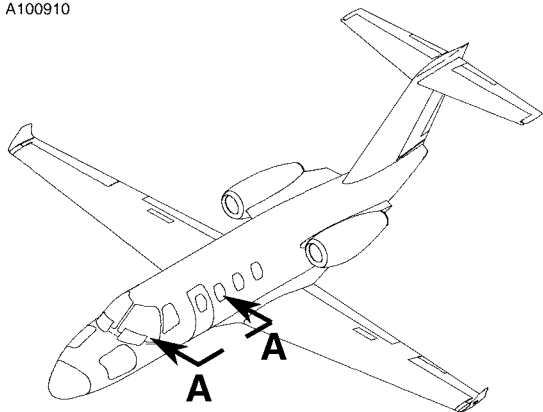
CESSNA®  
**MODEL 525 (SERIALS -0685 AND -0800 AND ON)**  
 ILLUSTRATED PARTS CATALOG

FIG ITEM	PART NUMBER	1 2 3 4 5 6 7	NOMENCLATURE	UNITS PER ASSY		
02						
-			PHILIPPINE INTERIOR PLACARDS AND MARKINGS - ESCAPE HATCH	0943	& ON	RF R
1	4316002-27		. PLACARD-OPEN . . . . .			01 R
2	4316002-26		. PLACARD-REMOVE COVER . . . . .			01 R

- ITEM NOT ILLUSTRATED

CESSNA®  
MODEL 525 (SERIALS -0685 AND -0800 AND ON)  
ILLUSTRATED PARTS CATALOG

A100910



2  
DETAIL B

CITATION  
M2

1  
DETAIL A

SERBIAN EXTERIOR PLACARDS AND MARKINGS - FUSELAGE  
FIGURE 01 (SHEET 1)

6310T1168  
AA6314T1174

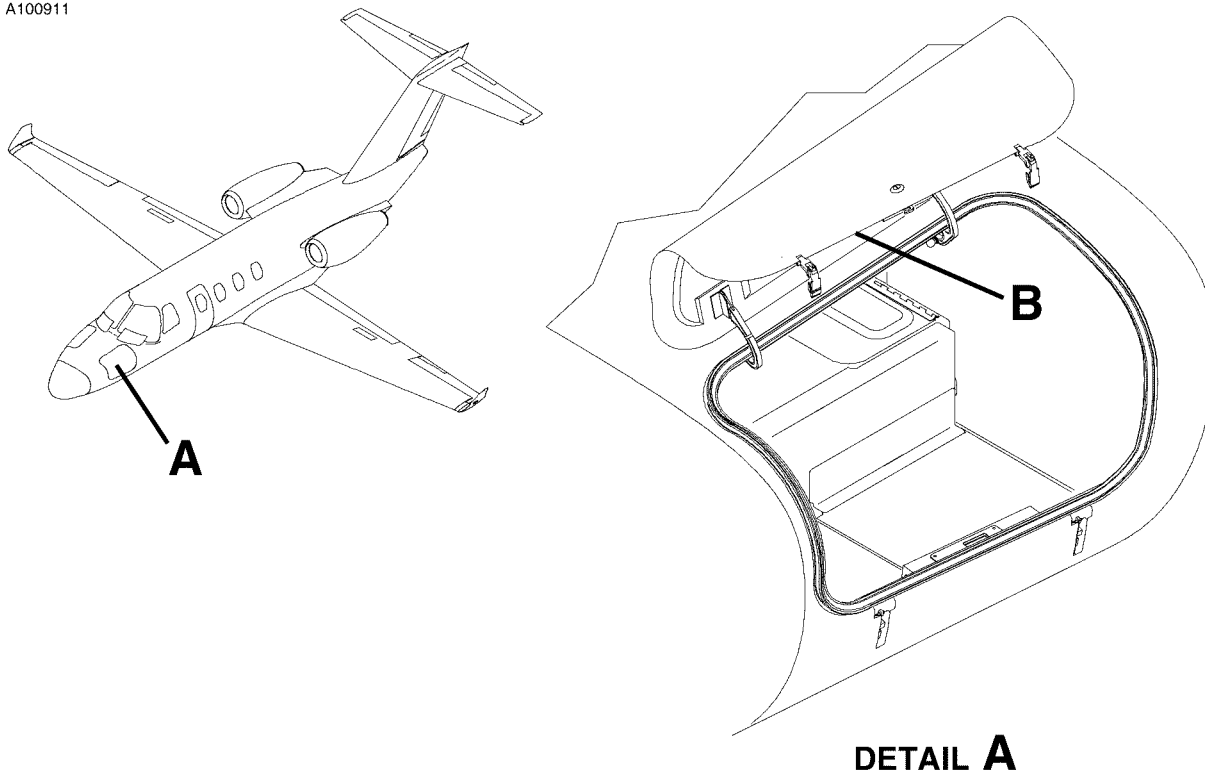
CESSNA®  
**MODEL 525 (SERIALS -0685 AND -0800 AND ON)**  
 ILLUSTRATED PARTS CATALOG

FIG ITEM	PART NUMBER	NOMENCLATURE							UNITS PER ASSY		
		1	2	3	4	5	6	7			
01		SERBIAN EXTERIOR PLACARDS AND MARKINGS - FUSELAGE									RF R
-		. DECAL-M2 . . . . .							0911	& ON	02 R
1	4416001-32	. DECAL-CESSNA LOGO . . . . .							0911	& ON	02 R
2	6505010-124										

- ITEM NOT ILLUSTRATED

CESSNA®  
**MODEL 525 (SERIALS -0685 AND -0800 AND ON)**  
ILLUSTRATED PARTS CATALOG

A100911



**MAXIMUM WEIGHT ALLOWANCE  
400 LBS (181 KG).  
MAXIMUM FLOOR LOADING  
35 LBS/FT<sup>2</sup> (170 KG/M<sup>2</sup>).  
SEE AFM FOR WEIGHT  
AND BALANCE DATA.**

1  
▲ **DETAIL B**

▲ Required for Dispatch

SERBIAN EXTERIOR PLACARDS AND MARKINGS - NOSE BAGGAGE  
FIGURE 01 (SHEET 1)

6310T1168  
A6313T1003



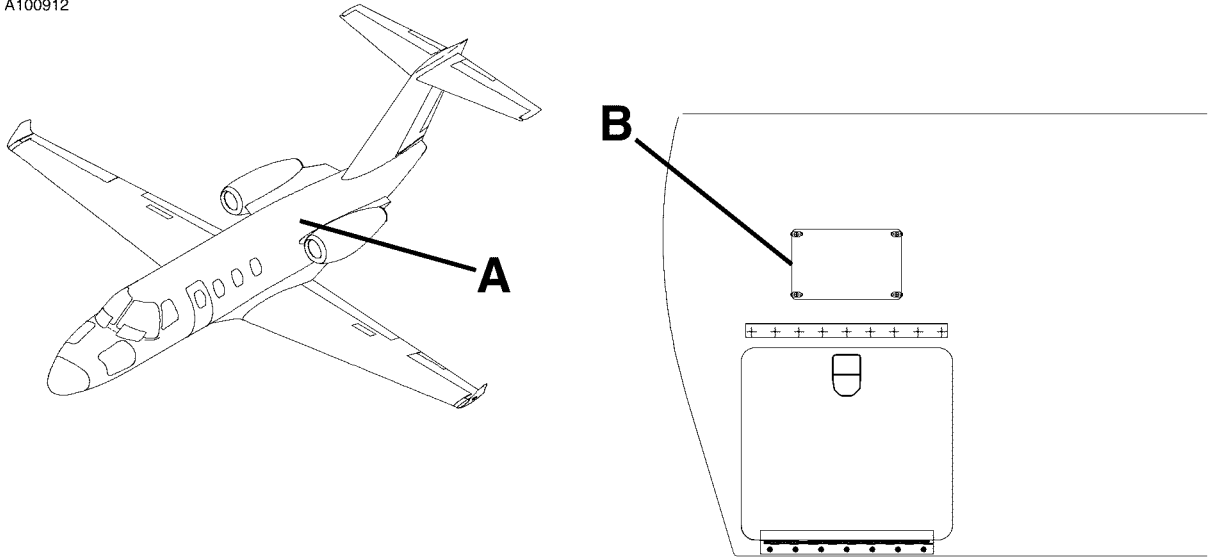
CESSNA®  
**MODEL 525 (SERIALS -0685 AND -0800 AND ON)**  
 ILLUSTRATED PARTS CATALOG

FIG ITEM	PART NUMBER	NOMENCLATURE							UNITS PER ASSY	
		1	2	3	4	5	6	7		
01		SERBIAN EXTERIOR PLACARDS AND MARKINGS - NOSE BAGGAGE								RF R
-		. PLACARD-MAX BAGGAGE WEIGHT 400LBS . . . . .							0911	& ON 02 R
1	4416000-163									

- ITEM NOT ILLUSTRATED

CESSNA®  
**MODEL 525 (SERIALS -0685 AND -0800 AND ON)**  
ILLUSTRATED PARTS CATALOG

A100912



**DETAIL A**

Looking Forward at Left Hand Side Forward Wall

⊕

**MAXIMUM WEIGHT ALLOWANCE  
325 LBS (147 KG).  
MAXIMUM FLOOR LOADING  
100 LBS/FT<sup>2</sup> (488 KG/M<sup>2</sup>).  
SEE AFM FOR WEIGHT AND BALANCE DATA.**

**SECURE BAGGAGE WITH CARGO NET.**

**LATCH ALL DOORS PRIOR TO FLIGHT.**

⊕

1

▲ **DETAIL B**

▲ Required for Dispatch

6310T1168  
A6312T1220

SERBIAN EXTERIOR PLACARDS AND MARKINGS - AFT BAGGAGE  
FIGURE 02 (SHEET 1)

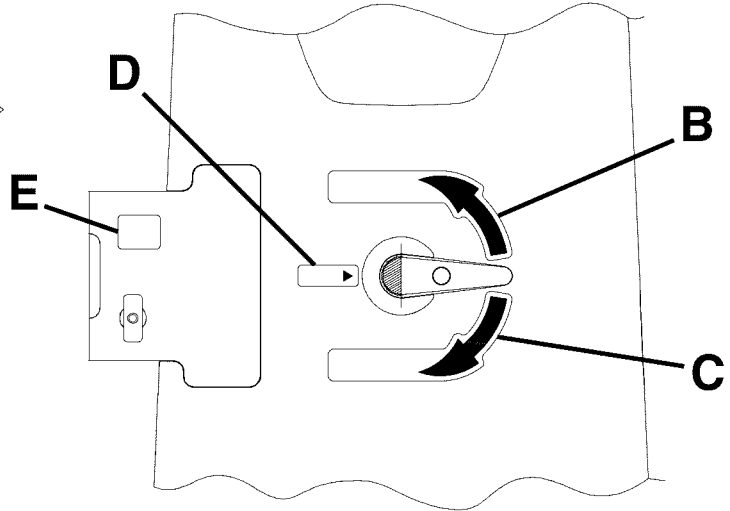
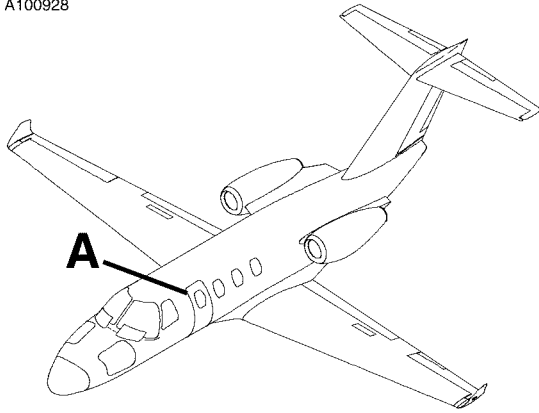
CESSNA®  
**MODEL 525 (SERIALS -0685 AND -0800 AND ON)**  
 ILLUSTRATED PARTS CATALOG

FIG ITEM	PART NUMBER	NOMENCLATURE	UNITS	
			PER	ASSY
02				
-		SERBIAN EXTERIOR PLACARDS AND MARKINGS - AFT BAGGAGE		RF R
1	4416004-58	. PLACARD-MAX BAGGAGE WEIGHT 325LB . . . . .	0911	& ON 01 R
		ATTACHING PARTS		
- 2	MS35214-14	. SCREW . . . . .	0911	& ON 04 R
- 3	MS21069L04	. NUTPLATE . . . . .	0911	& ON 04 R
		—*—		

- ITEM NOT ILLUSTRATED

CESSNA®  
**MODEL 525 (SERIALS -0685 AND -0800 AND ON)**  
 ILLUSTRATED PARTS CATALOG

A100928



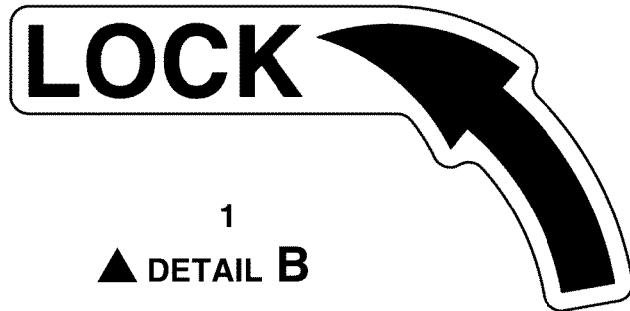
**DETAIL A**

(View Looking Inboard at Entry Door)

**DOOR CATCH  
 RELEASE INSIDE  
 BEHIND THIS  
 PLACARD. RAISE  
 STEPS BEFORE  
 CLOSING DOOR.**

4

**DETAIL E**



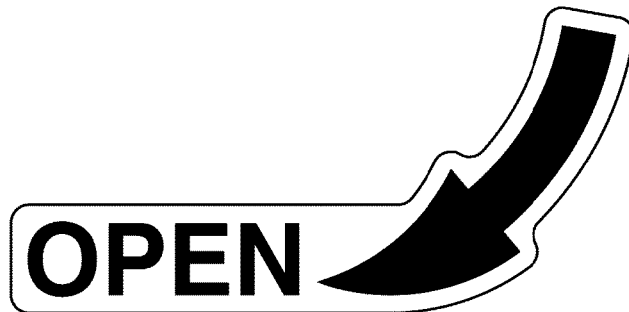
1

▲ **DETAIL B**



3

▲ **DETAIL D**



2

▲ **DETAIL C**

▲ Required for Dispatch

6310T1168  
 A6319T1646

SERBIAN EXTERIOR PLACARDS AND MARKINGS - CABIN DOOR  
 FIGURE 01 (SHEET 1)

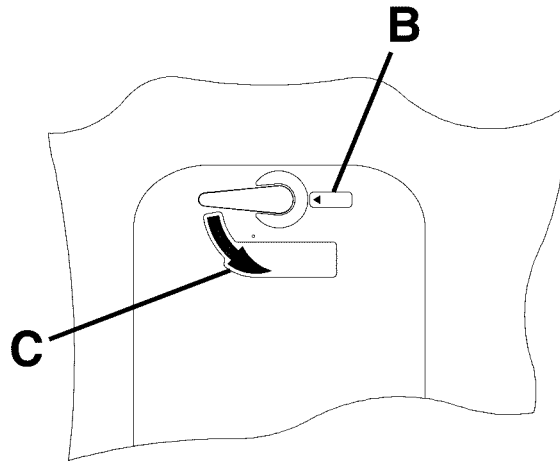
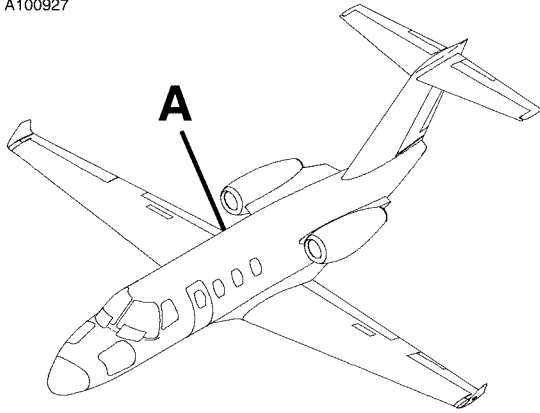
CESSNA®  
**MODEL 525 (SERIALS -0685 AND -0800 AND ON)**  
 ILLUSTRATED PARTS CATALOG

FIG ITEM	PART NUMBER	NOMENCLATURE	UNITS PER ASSY	
			1 2 3 4 5 6 7	
01		SERBIAN EXTERIOR PLACARDS AND MARKINGS - CABIN DOOR		RF R
-				
1	4316002-16	. DECAL-LOCK . . . . .	0911	& ON 01 R
2	4316002-17	. DECAL-OPEN . . . . .	0911	& ON 01 R
3	4316002-15	. DECAL-PUSH . . . . .	0911	& ON 01 R
4	4416000-172	. PLACARD-PRECATCH HANDLE . . . . .	0911	& ON 01 R

- ITEM NOT ILLUSTRATED

CESSNA®  
MODEL 525 (SERIALS -0685 AND -0800 AND ON)  
ILLUSTRATED PARTS CATALOG

A100927



**DETAIL A**  
Looking Inboard at Escape Hatch



2

▲ **DETAIL B**



1

▲ **DETAIL C**

▲ Required for Dispatch

6310T1168  
A4711953-2

SERBIAN EXTERIOR PLACARDS AND MARKINGS - ESCAPE HATCH  
FIGURE 02 (SHEET 1)

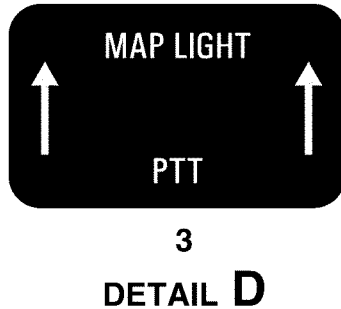
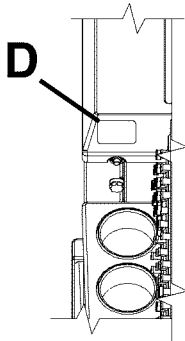
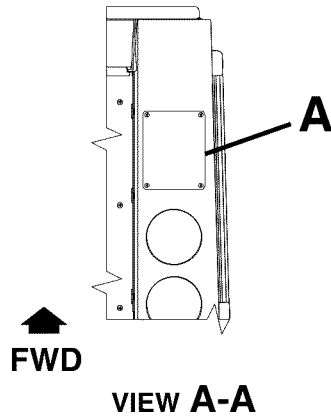
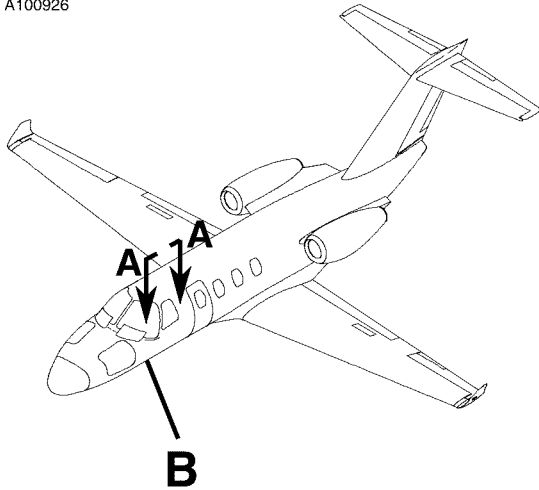
CESSNA®  
**MODEL 525 (SERIALS -0685 AND -0800 AND ON)**  
 ILLUSTRATED PARTS CATALOG

FIG ITEM	PART NUMBER	1 2 3 4 5 6 7	NOMENCLATURE	UNITS PER ASSY		
02			SERBIAN EXTERIOR PLACARDS AND MARKINGS - ESCAPE HATCH	0911	& ON	RF R
-						
1	4316020-12		. DECAL-EMERGENCY EXIT (OPEN) . . . . .			01 R
2	4316020-2		. DECAL-EMERGENCY EXIT (PUSH) . . . . .			01 R

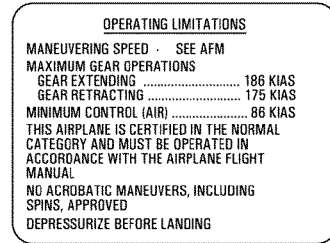
- ITEM NOT ILLUSTRATED

CESSNA®  
**MODEL 525 (SERIALS -0685 AND -0800 AND ON)**  
 ILLUSTRATED PARTS CATALOG

A100926



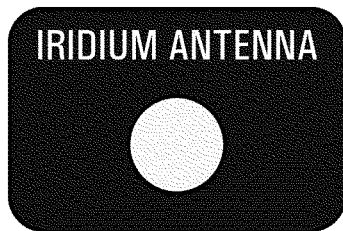
**3  
DETAIL D**



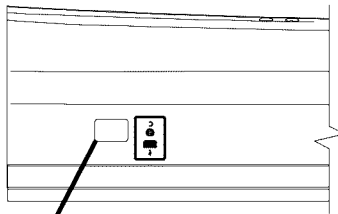
**1  
DETAIL A**

**VIEW C-C**

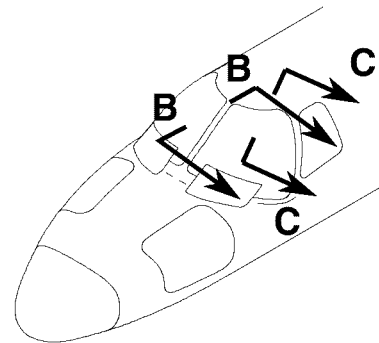
View Looking at Left Hand Side Console



**2  
DETAIL C**



**C  
VIEW B-B**



**DETAIL B**

6310T1168  
 B6310T1168  
 AA6310T1182  
 BB6310T1183  
 CC6310T1184

SERBIAN INTERIOR PLACARDS AND MARKINGS - LH CONSOLE  
 FIGURE 01 (SHEET 1)



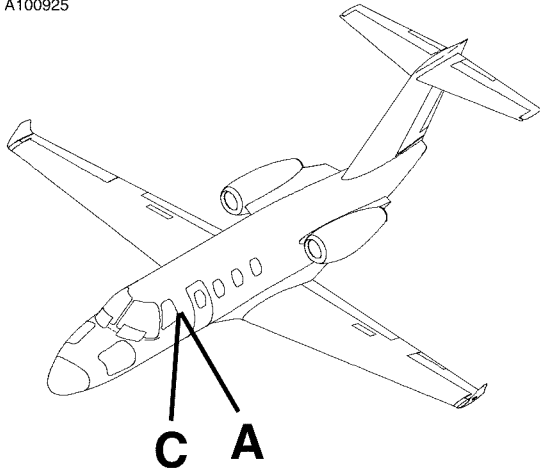
CESSNA®  
**MODEL 525 (SERIALS -0685 AND -0800 AND ON)**  
 ILLUSTRATED PARTS CATALOG

FIG ITEM	PART NUMBER	1 2 3 4 5 6 7	NOMENCLATURE	UNITS PER ASSY
01			SERBIAN INTERIOR PLACARDS AND MARKINGS - LH CONSOLE	RF R
-				
1	6301000-12		. PLACARD-SPEED AND OPERATIONS . . . . .	0911 & ON 01 R
2	4316002-35		. PLACARD-IRIDIUM ANTENNA . . . . .	0911 & ON 01 R
3	4316002-38		. PLACARD-MAP LIGHT . . . . .	0911 & ON 01 R

- ITEM NOT ILLUSTRATED

CESSNA®  
**MODEL 525 (SERIALS -0685 AND -0800 AND ON)**  
 ILLUSTRATED PARTS CATALOG

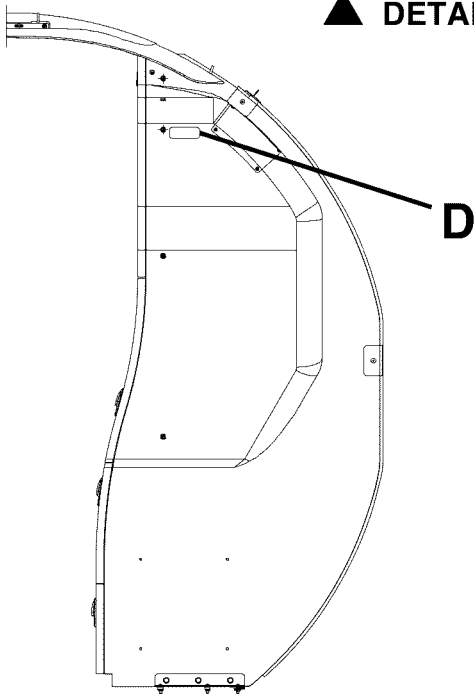
A100925



STOW CURTAIN FOR  
 TAXI, TAKEOFF, AND LANDING.

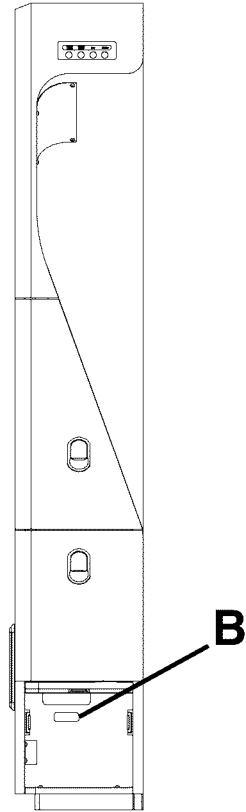
2

▲ **DETAIL D**



**DETAIL C**

Looking Aft at Left Hand Cabinet Assembly



**DETAIL A**

CABIN BRIEFER  
 PROGRAM LOAD PORT

1

**DETAIL B**

▲ Required for Dispatch

SERBIAN INTERIOR PLACARDS AND MARKINGS - FLIGHT COMPARTMENT  
 FIGURE 02 (SHEET 1)

6310T1168  
 A471T1953  
 C471T1953

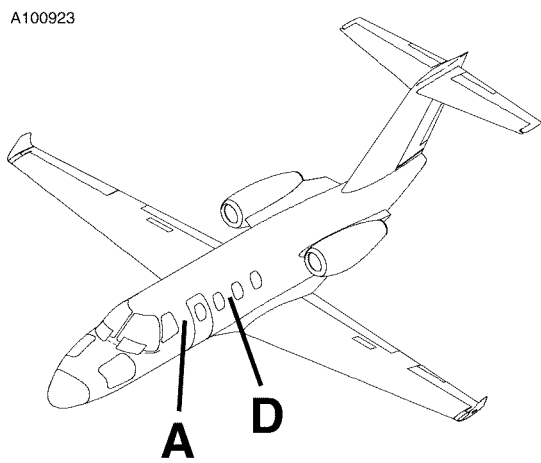
CESSNA®  
**MODEL 525 (SERIALS -0685 AND -0800 AND ON)**  
 ILLUSTRATED PARTS CATALOG

FIG ITEM	PART NUMBER	1 2 3 4 5 6 7	NOMENCLATURE	UNITS PER ASSY	
02			SERBIAN INTERIOR PLACARDS AND MARKINGS - FLIGHT COMPARTMENT		RF R
-					
1	4316002-40		. PLACARD-CABIN BRIEFER PORT . . . . .	0911	& ON 01 R
2	4316002-8		. PLACARD-CURTAIN STOWAGE . . . . .	0911	& ON 01 R

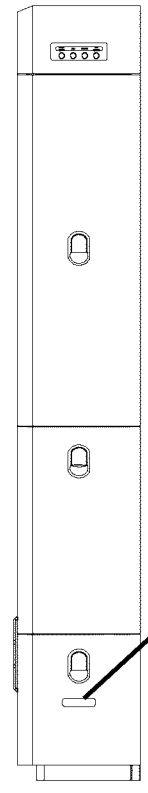
- ITEM NOT ILLUSTRATED

CESSNA®  
**MODEL 525 (SERIALS -0685 AND -0800 AND ON)**  
 ILLUSTRATED PARTS CATALOG

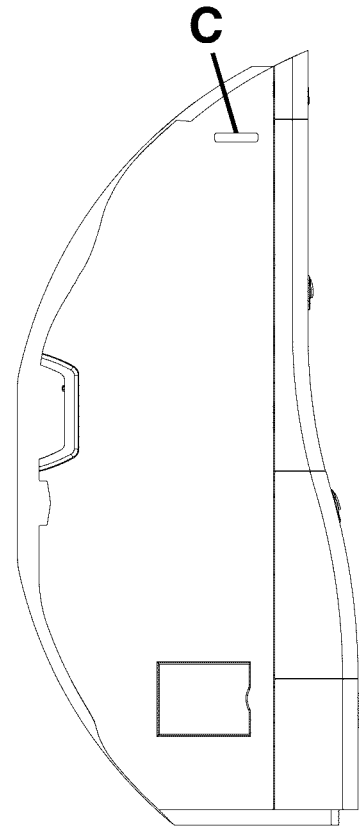
A100923



**A**



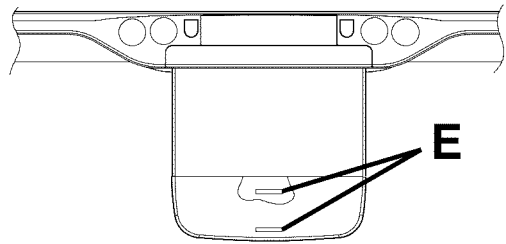
**DETAIL A**



**VIEW A-A**

**STOW FOR TAXI, TAKEOFF, AND LANDING.**

**1**  
**▲ DETAIL E**



**DETAIL D**

Looking Down on Right Hand Side Deployed Table,  
 Left Hand Side Opposite

**CLOSE ALL CABINET DOORS AND DRAWERS  
 FOR TAXI, TAKEOFF, AND LANDING.**

**3**  
**▲ DETAIL C**

**NO CIGARETTE DISPOSAL;  
 METAL TRASH LINER REQUIRED.**

**2**  
**▲ DETAIL B**

**▲ Required for Dispatch**

6310T1168  
 A6320T1021  
 AA6320T1021  
 D6320T1021

SERBIAN INTERIOR PLACARDS AND MARKINGS - FORWARD CABIN  
 FIGURE 01 (SHEET 1)

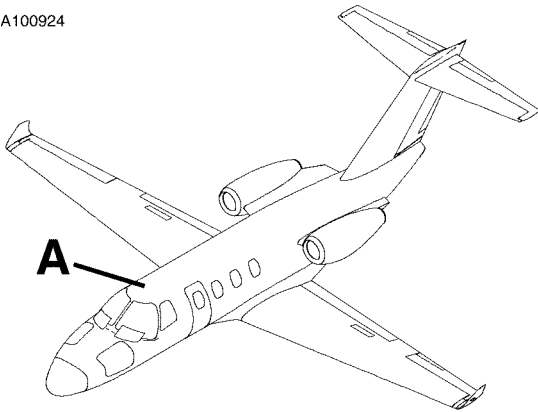
CESSNA®  
**MODEL 525 (SERIALS -0685 AND -0800 AND ON)**  
 ILLUSTRATED PARTS CATALOG

FIG ITEM	PART NUMBER	1 2 3 4 5 6 7	NOMENCLATURE	UNITS PER ASSY	
01			SERBIAN INTERIOR PLACARDS AND MARKINGS - FORWARD CABIN		RF R
-					
1	4316002-200		. PLACARD-TABLE STOWAGE . . . . .	0911	& ON 04 R
2	4316002-20		. PLACARD-TRASH CONTAINER . . . . .	0911	& ON 01 R
3	4316002-23		. PLACARD-CABINET DOOR INSTRUCTIONS . . . . .	0911	& ON 01 R

- ITEM NOT ILLUSTRATED

CESSNA®  
**MODEL 525 (SERIALS -0685 AND -0800 AND ON)**  
 ILLUSTRATED PARTS CATALOG

A100924



**FASTEN SHOULDER HARNESS FOR TAXI, TAKEOFF, AND LANDING.**

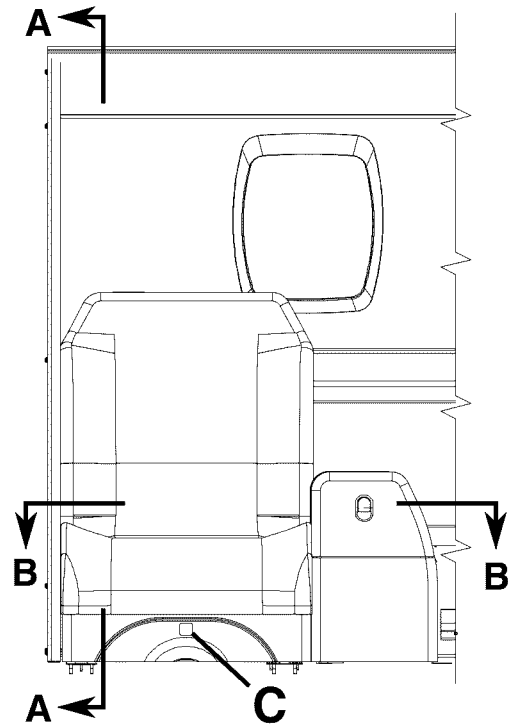
76

▲ **DETAIL B**

**FASTEN SHOULDER HARNESS FOR TAXI, TAKEOFF, AND LANDING**  
 LIFE VEST IN SEAT BASE.

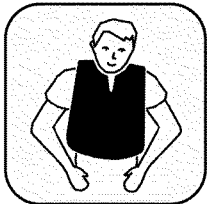
75

▲ **DETAIL B**



**DETAIL A**

Looking Outboard at Side Facing Seat



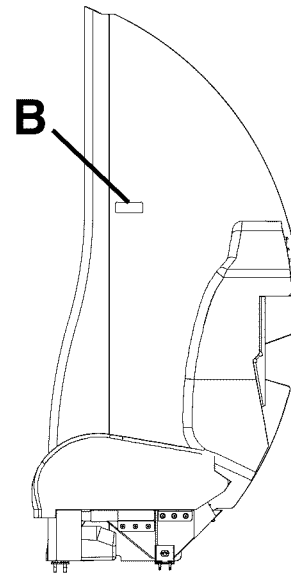
79

▲ **DETAIL C**

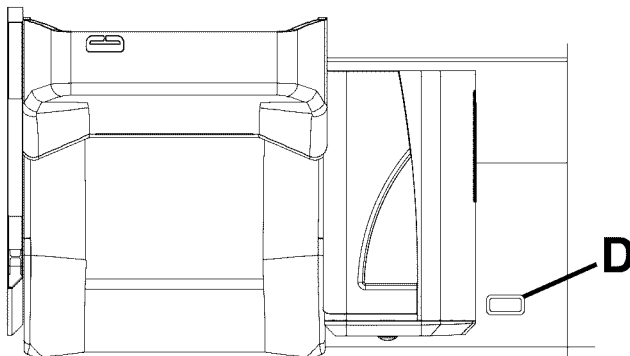
**AIR INLET DO NOT BLOCK.**

77

**DETAIL D**



**VIEW A-A**



▲ **Required for Dispatch**

**VIEW B-B**

**SERBIAN INTERIOR PLACARDS AND MARKINGS - FORWARD CABIN**  
 FIGURE 01 (SHEET 2)

6310T1168  
 A6320T1021  
 AA6320T1021  
 BB6320T1021

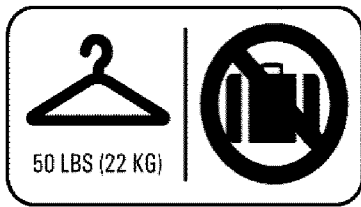
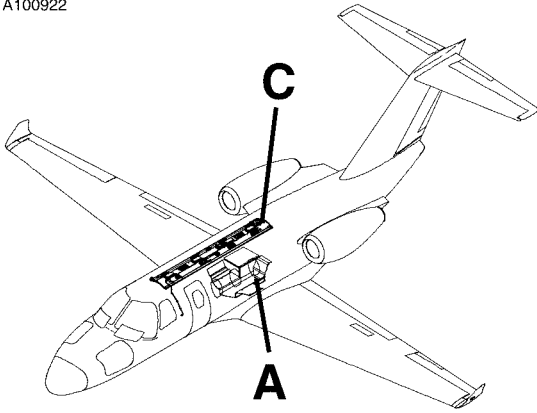
CESSNA®  
**MODEL 525 (SERIALS -0685 AND -0800 AND ON)**  
 ILLUSTRATED PARTS CATALOG

FIG ITEM	PART NUMBER	NOMENCLATURE	UNITS PER ASSY		
			1	2	3
01					
75	4316002-21	. PLACARD-SIDE FACING SEAT INSTRUCTIONS . . . . .	0911	& ON	01 R
76	4316002-44	. PLACARD-SIDE FACING SEAT INSTRUCTIONS W/O ARMREST . . . . .	0911	& ON	01 R
77	4316002-24	. PLACARD-AIR INLET . . . . .	0911	& ON	01 R
- 78	4717018-3	. PLACARD-COVER . . . . .	0911	& ON	01 R
79	4316002-32	. PLACARD-SIDE FACING SEAT LIFEVEST . . . . .	0911	& ON	01 R

- ITEM NOT ILLUSTRATED

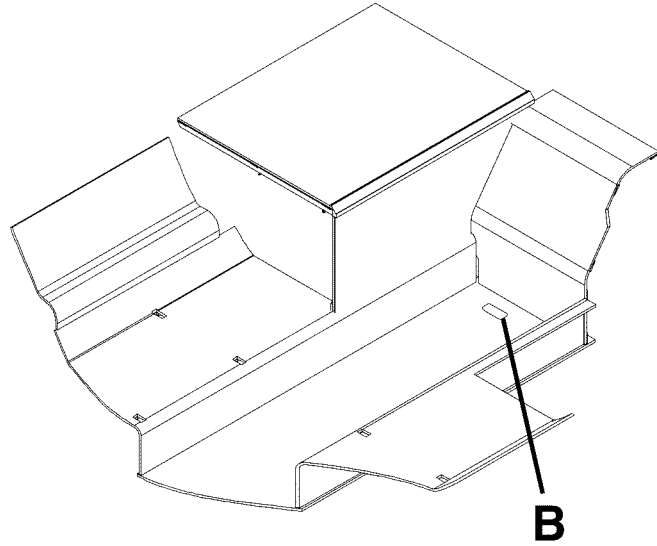
CESSNA®  
**MODEL 525 (SERIALS -0685 AND -0800 AND ON)**  
 ILLUSTRATED PARTS CATALOG

A100922

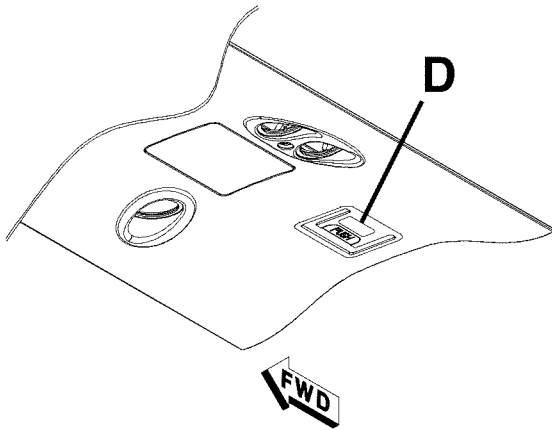


3

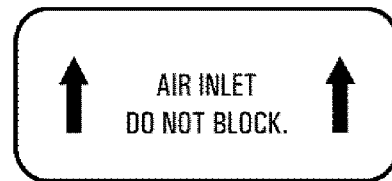
▲ **DETAIL D**



**DETAIL A**



**DETAIL C**



1

**DETAIL B**

▲ Required for Dispatch

SERBIAN INTERIOR PLACARDS AND MARKINGS - AFT CABIN  
 FIGURE 02 (SHEET 1)

6310T1168  
 A6312T1217  
 C6312T1218



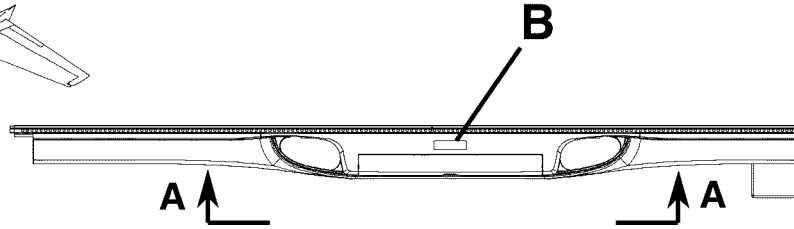
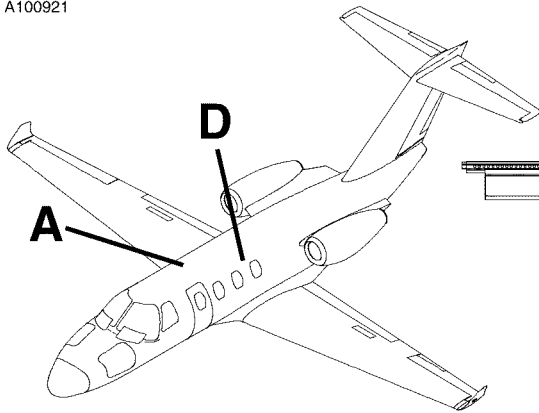
CESSNA®  
**MODEL 525 (SERIALS -0685 AND -0800 AND ON)**  
 ILLUSTRATED PARTS CATALOG

FIG ITEM	PART NUMBER	1 2 3 4 5 6 7	NOMENCLATURE	UNITS PER ASSY	
02			SERBIAN INTERIOR PLACARDS AND MARKINGS - AFT CABIN		RF R
-					
1	4316002-24		. PLACARD-AIR INLET . . . . .	0911	& ON 01 R
- 2	4717018-3		. PLACARD-COVER . . . . .	0911	& ON 01 R
3	4316002-34		. PLACARD-COAT ROD . . . . .	0911	& ON 01 R

- ITEM NOT ILLUSTRATED

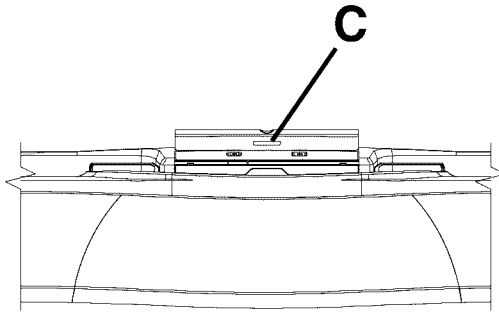
CESSNA®  
**MODEL 525 (SERIALS -0685 AND -0800 AND ON)**  
 ILLUSTRATED PARTS CATALOG

A100921



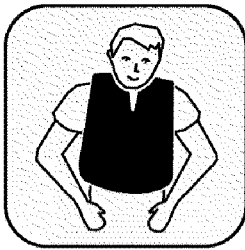
**DETAIL A**

Looking Down on Right Hand Sideledge



**VIEW A-A**

Table Lid Shown in Upright Position



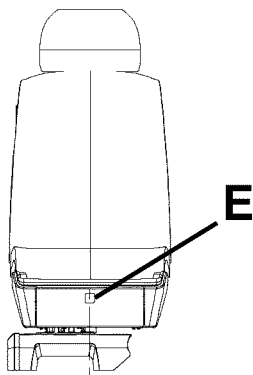
4

▲ **DETAIL E**

**FOR TAXI, TAKEOFF, AND LANDING: RAISE SEAT BACK;  
 EXTEND HEADREST; TRACK SEAT TOWARD FRONT OF  
 AIRCRAFT THEN OUTBOARD; FASTEN SHOULDER HARNESS.**

1

▲ **DETAIL B**



**DETAIL D**

**CLOSE LID FOR TAXI, TAKEOFF, AND LANDING.**

3

▲ **DETAIL C**

▲ Required for Dispatch

6310T1168  
 A6319T1647  
 AA6319T1647  
 D6319T1648

SERBIAN INTERIOR PLACARDS AND MARKINGS - CABIN SEATS  
 FIGURE 03 (SHEET 1)

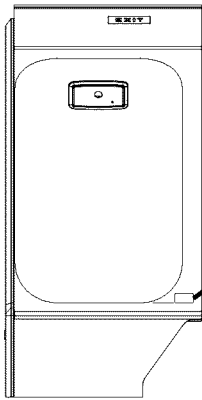
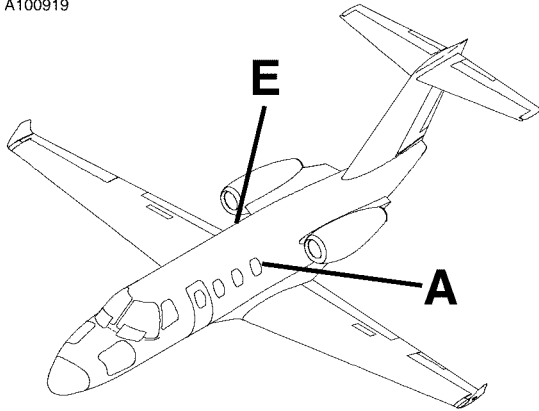
CESSNA®  
**MODEL 525 (SERIALS -0685 AND -0800 AND ON)**  
 ILLUSTRATED PARTS CATALOG

FIG ITEM	PART NUMBER	NOMENCLATURE	UNITS PER ASSY	
			1 2 3 4 5 6 7	
03		SERBIAN INTERIOR PLACARDS AND MARKINGS - CABIN SEATS		RF R
-				
1	4316002-46	. PLACARD-SEAT INSTRUCTIONS . . . . .	0911	& ON 02 R
- 2	4316002-47	. PLACARD-SEAT INSTRUCTIONS OPTIONAL . . . . .	0911	& ON 02 R
3	4316002-28	. PLACARD-TABLE LID INSTRUCTIONS . . . . .	0911	& ON 02 R
4	4316002-32	. PLACARD-LIFEVEST . . . . .	0911	& ON 04 R

- ITEM NOT ILLUSTRATED

CESSNA®  
**MODEL 525 (SERIALS -0685 AND -0800 AND ON)**  
 ILLUSTRATED PARTS CATALOG

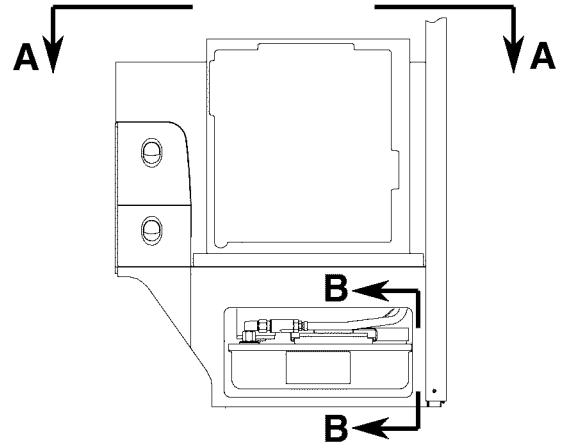
A100919



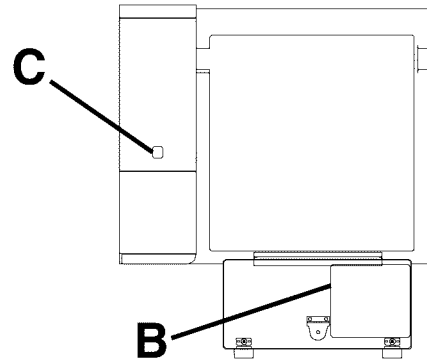
**DETAIL E**  
 View Looking Outboard



4  
 ▲ **DETAIL F**



**DETAIL A**  
 View Looking Outboard

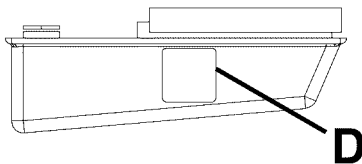


**VIEW A-A**

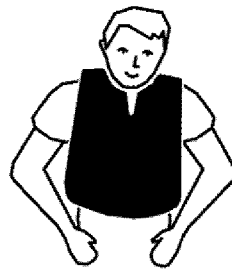
TOILET CHEMICAL  
 IS CORROSIVE.  
 USE EXTREME CARE  
 TO PREVENT SPILLAGE.  
 FOLLOW SERVICING  
 INSTRUCTIONS CAREFULLY.  
 CLEAN ANY SPILLAGE  
 IMMEDIATELY AND  
 REPORT IT TO THE CREW.

1

**DETAIL D**

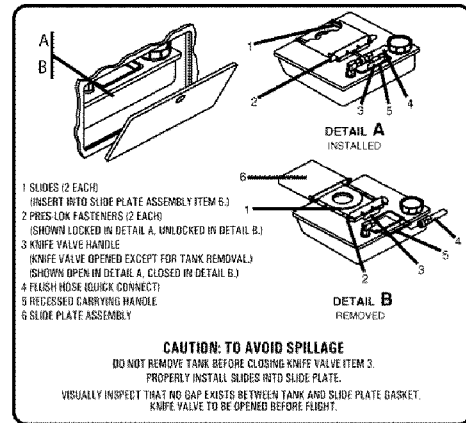


**VIEW B-B**



3

▲ **DETAIL C**



- 1 SLIDES (2 EACH)  
 (INSERT INTO SLIDE PLATE ASSEMBLY ITEM 6.)
- 2 PRES LOK FASTENERS (2 EACH)  
 (SHOWN LOCKED IN DETAIL A, UNLOCKED IN DETAIL B.)
- 3 KNIFE VALVE HANDLE  
 (KNIFE VALVE OPENED EXCEPT FOR TANK REMOVAL.)  
 (SHOWN OPEN IN DETAIL A, CLOSED IN DETAIL B.)
- 4 FLUSH HOSE (JUNCK CONNECT)
- 5 RECESSED CARRYING HANDLE
- 6 SLIDE PLATE ASSEMBLY

**CAUTION: TO AVOID SPILLAGE**  
 DO NOT REMOVE TANK BEFORE CLOSING KNIFE VALVE ITEM 3.  
 PROPERLY INSTALL SLIDES INTO SLIDE PLATE.  
 VISUALLY INSPECT THAT NO GAP EXISTS BETWEEN TANK AND SLIDE PLATE GASKET.  
 KNIFE VALVE TO BE OPENED BEFORE FLIGHT.

2  
**DETAIL B**

6310T1168  
 A6319T1360  
 AA6319T1361  
 BB6319T1360  
 E6314T1662

▲ Required for Dispatch

SERBIAN INTERIOR PLACARDS AND MARKINGS - LAVATORY  
 FIGURE 01 (SHEET 1)

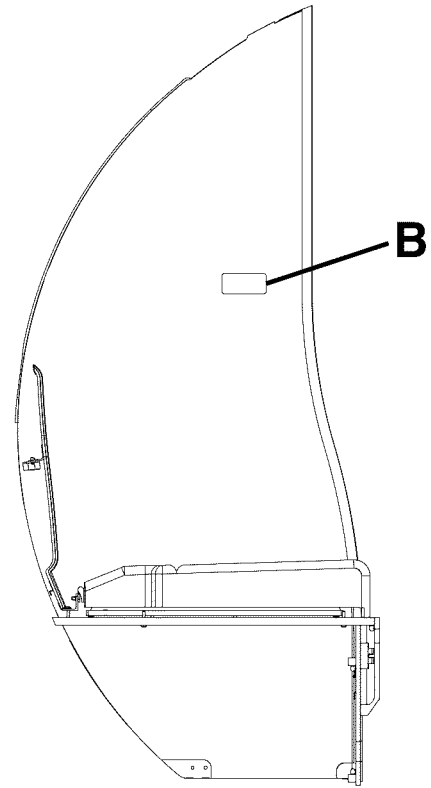
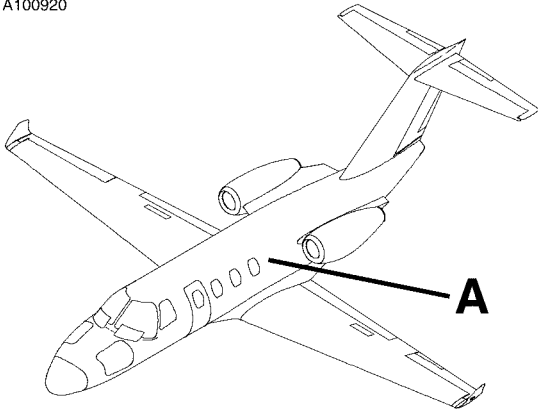
CESSNA®  
**MODEL 525 (SERIALS -0685 AND -0800 AND ON)**  
 ILLUSTRATED PARTS CATALOG

FIG ITEM	PART NUMBER	1 2 3 4 5 6 7	NOMENCLATURE	UNITS PER ASSY	
01			SERBIAN INTERIOR PLACARDS AND MARKINGS - LAVATORY		RF R
-					
1	4316002-30		. PLACARD-TOILET CARE . . . . .	0911	& ON 01 R
2	4316002-36		. PLACARD-TOILET SERVICING . . . . .	0911	& ON 01 R
3	4316002-32		. PLACARD-LIFEVEST . . . . .	0911	& ON 01 R
4	4316002-33		. PLACARD-NO SMOKING . . . . .	0911	& ON 01 R

- ITEM NOT ILLUSTRATED

CESSNA®  
**MODEL 525 (SERIALS -0685 AND -0800 AND ON)**  
ILLUSTRATED PARTS CATALOG

A100920



FOR TAXI, TAKEOFF, AND LANDING:  
STOW CURTAIN;  
CLOSE ALL CABINET DOORS AND DRAWERS;  
FASTEN SHOULDER HARNESS.

**77**  
**DETAIL B**

**DETAIL A**  
View Looking Forward

FOR TAXI, TAKEOFF, AND LANDING:  
LATCH SLIDING DOOR OPEN;  
CLOSE ALL CABINET DOORS AND DRAWERS;  
FASTEN SHOULDER HARNESS.

**76**  
**DETAIL B**

FOR TAXI, TAKEOFF, AND LANDING:  
LATCH SLIDING DOOR OPEN;  
CLOSE ALL CABINET DOORS AND DRAWERS;  
FASTEN SHOULDER HARNESS.

LIFE VEST IN SEAT CABINET.

**75**  
**DETAIL B**

6310T1168  
A4711T953-31

SERBIAN INTERIOR PLACARDS AND MARKINGS - LAVATORY  
FIGURE 01 (SHEET 2)

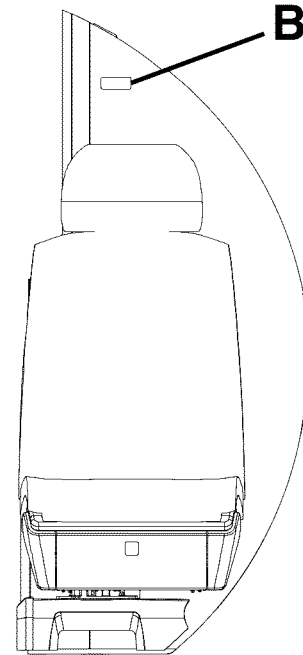
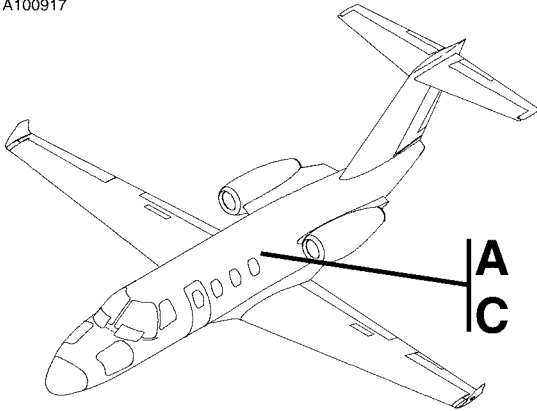
CESSNA®  
**MODEL 525 (SERIALS -0685 AND -0800 AND ON)**  
 ILLUSTRATED PARTS CATALOG

FIG ITEM	PART NUMBER	NOMENCLATURE	UNITS PER ASSY		
			1	2	3
01					
75	4316002-42	. PLACARD-LH BELTED TOILET INSTRUCTION (DOOR) . . . . .	0911	& ON	01 R
76	4316002-43	. PLACARD-LH BELTED TOILET INSTRUCTION (DOOR) W/O LIFE VEST . . . .	0911	& ON	01 R
77	4316002-45	. PLACARD-LH BELTED TOILET INSTRUCTION (CURTAIN) . . . . .	0911	& ON	01 R

- ITEM NOT ILLUSTRATED

CESSNA®  
**MODEL 525 (SERIALS -0685 AND -0800 AND ON)**  
 ILLUSTRATED PARTS CATALOG

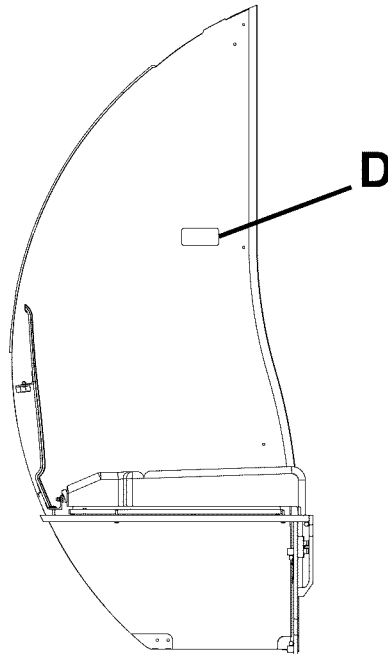
A100917



**FOR TAXI, TAKEOFF, AND LANDING:  
 STOW CURTAIN;  
 CLOSE ALL CABINET DOORS AND DRAWERS;  
 FASTEN SHOULDER HARNESS.  
 LIFE VEST IN SEAT CABINET.**

**DETAIL A**  
 Looking Aft

**3**  
 ▲ **DETAIL D**



**NO SMOKING IN LAVATORY.  
 STOW CURTAIN  
 FOR TAXI, TAKEOFF, AND LANDING.**

**1**  
 ▲ **DETAIL B**

**NO SMOKING IN LAVATORY.  
 LATCH SLIDING DOOR OPEN  
 FOR TAXI, TAKEOFF, AND LANDING.**

**2**  
 ▲ **DETAIL B**

**DETAIL C**

Looking Forward

▲ Required for Dispatch

6310T1168  
 A6319T1649  
 C6319T1650

SERBIAN INTERIOR PLACARDS AND MARKINGS - DIVIDERS  
 FIGURE 02 (SHEET 1)



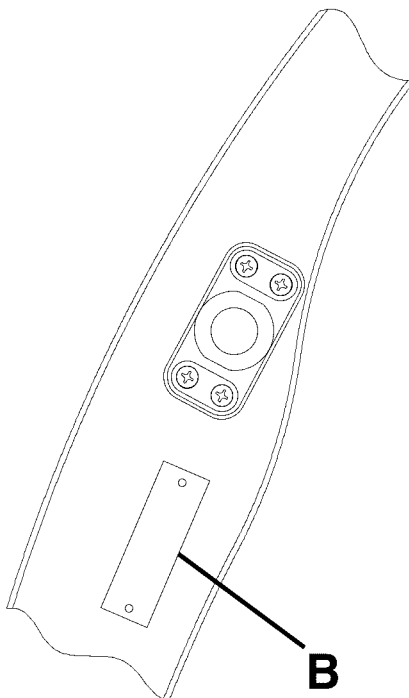
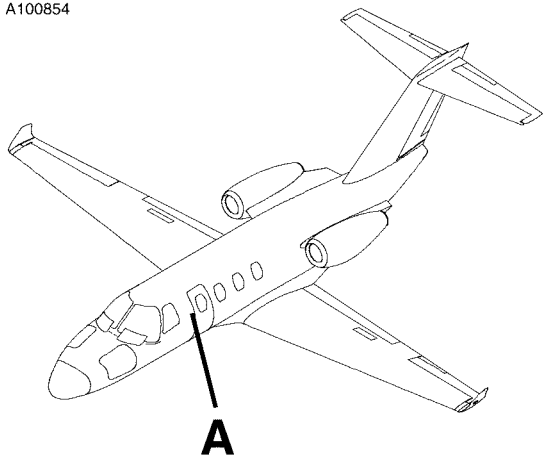
CESSNA®  
**MODEL 525 (SERIALS -0685 AND -0800 AND ON)**  
 ILLUSTRATED PARTS CATALOG

FIG ITEM	PART NUMBER	1 2 3 4 5 6 7	NOMENCLATURE	UNITS PER ASSY
02			SERBIAN INTERIOR PLACARDS AND MARKINGS - DIVIDERS	RF R
-				
1	4316002-25		. PLACARD-AFT CABIN INSTRUCTIONS . . . . .	0911 & ON 01 R
2	4316002-41		. PLACARD-AFT CABIN INSTRUCTIONS (DOOR) . . . . .	0911 & ON 01 R
3	4316002-29		. PLACARD-AFT CABIN INSTRUCTIONS . . . . .	0911 & ON 01 R

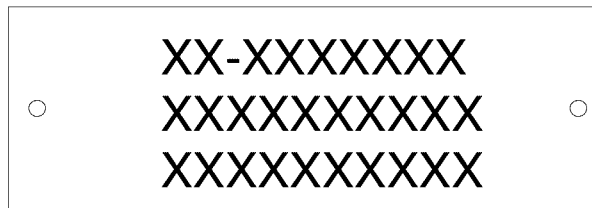
- ITEM NOT ILLUSTRATED

CESSNA®  
**MODEL 525 (SERIALS -0685 AND -0800 AND ON)**  
ILLUSTRATED PARTS CATALOG

A100854



**DETAIL A**



**1**  
**DETAIL B**

SERBIAN INTERIOR PLACARDS AND MARKINGS - CABIN DOOR  
FIGURE 01 (SHEET 1)

6310T1168  
A659T0008

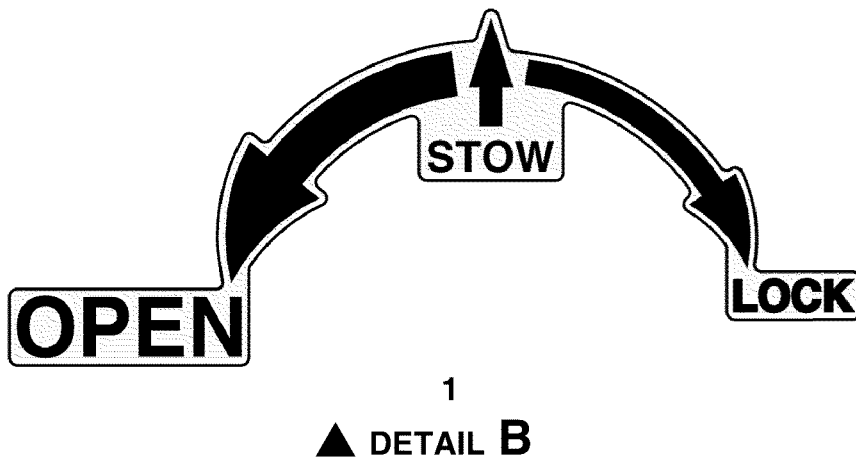
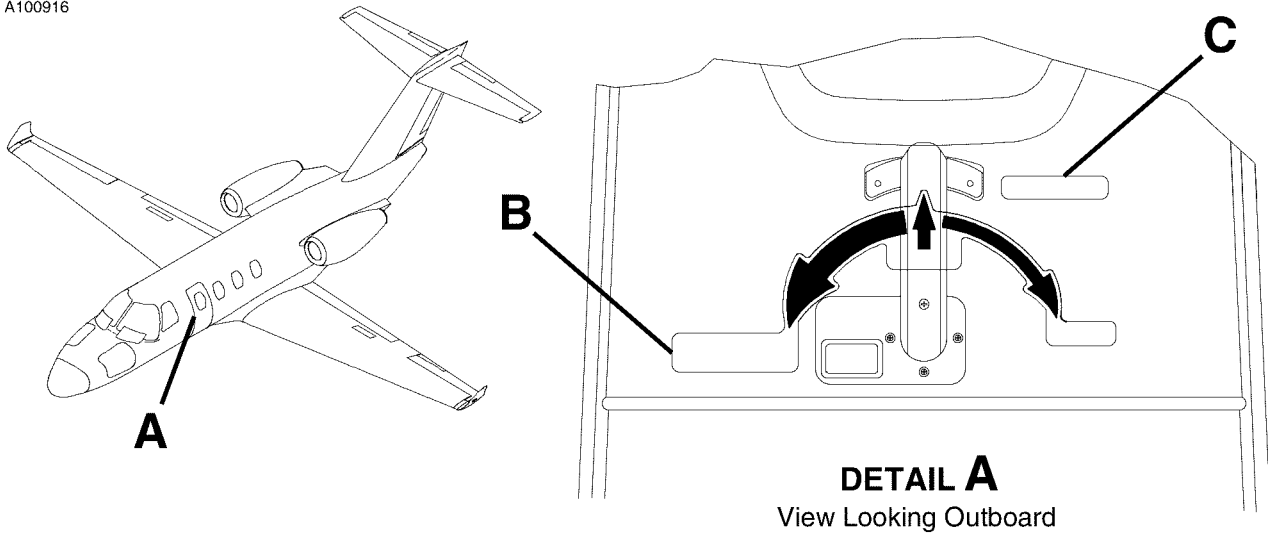
CESSNA®  
**MODEL 525 (SERIALS -0685 AND -0800 AND ON)**  
 ILLUSTRATED PARTS CATALOG

FIG ITEM	PART NUMBER	NOMENCLATURE	UNITS PER ASSY
	1 2 3 4 5 6 7		
01		SERBIAN INTERIOR PLACARDS AND MARKINGS - CABIN DOOR	RF R
-			
1	6590008-65	. CERTIFICATION PLATE REFER TO NOTE 1 . . . . .	01 R

NOTE 1—WHEN ORDERING THIS PART, THE OWNER MUST SEND A NOTARIZED DOCUMENT STATING THE REASON FOR ORDERING A NEW ID PLATE, THE TYPE CERTIFICATE NUMBER, THE PRODUCTION CERTIFICATE NUMBER, THE ID PLATE NUMBER, AND THE MODEL NUMBER. THE OLD ID PLATE FROM THE AIRPLANE SHOULD BE ATTACHED TO THE ORDER, IF AVAILABLE. IF NOT ATTACHED, THE NEW PLATE WILL BE STAMPED DUPLICATE.

CESSNA®  
MODEL 525 (SERIALS -0685 AND -0800 AND ON)  
ILLUSTRATED PARTS CATALOG

A100916



**TO RELEASE: PUSH BUTTON,  
PULL TRIGGER ON HANDLE.**

2  
▲ DETAIL C

▲ Required for Dispatch

6310T1168  
A6319T1645

SERBIAN INTERIOR PLACARDS AND MARKINGS - CABIN DOOR  
FIGURE 02 (SHEET 1)

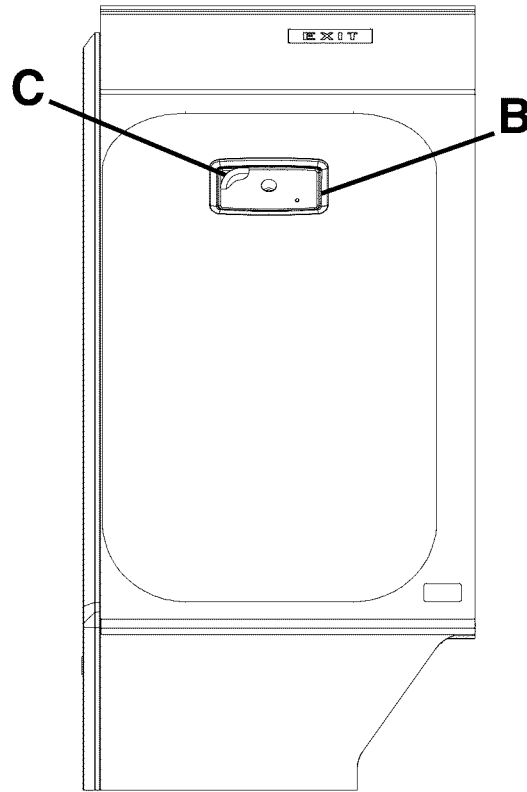
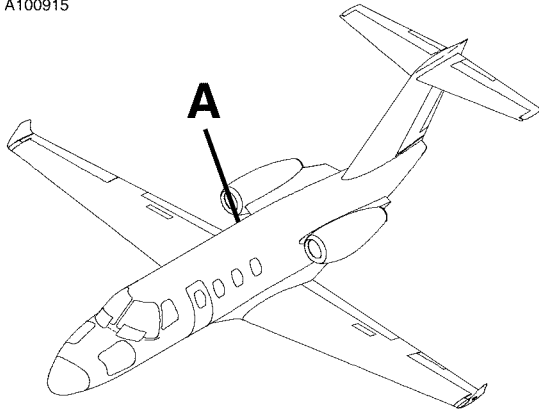
CESSNA®  
**MODEL 525 (SERIALS -0685 AND -0800 AND ON)**  
 ILLUSTRATED PARTS CATALOG

FIG ITEM	PART NUMBER	1 2 3 4 5 6 7	NOMENCLATURE	UNITS PER ASSY	
02			SERBIAN INTERIOR PLACARDS AND MARKINGS - CABIN DOOR		RF R
-					
1	4316002-18		. DECAL-HANDLE OPERATION . . . . .	0911	& ON 01 R
2	4316002-19		. DECAL-PUSH BUTTON . . . . .	0911	& ON 01 R

- ITEM NOT ILLUSTRATED

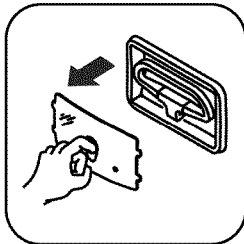
CESSNA®  
**MODEL 525 (SERIALS -0685 AND -0800 AND ON)**  
 ILLUSTRATED PARTS CATALOG

A100915



1

▲ **DETAIL E**

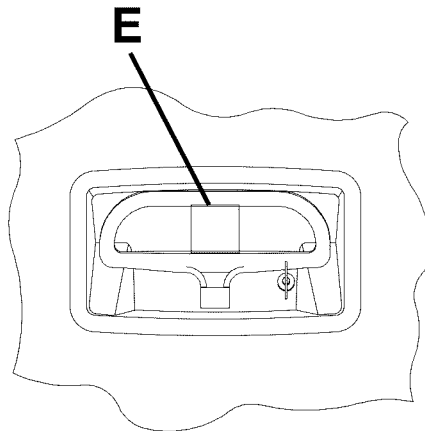


2

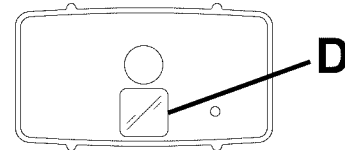
▲ **DETAIL D**

◀ **FWD**

**DETAIL A**  
 View Looking Outboard



**DETAIL C**



**DETAIL B**

▲ Required for Dispatch

6310T1168  
 A6310T1180  
 B6310T1180  
 C6310T1180

SERBIAN INTERIOR PLACARDS AND MARKINGS - ESCAPE HATCH  
 FIGURE 03 (SHEET 1)

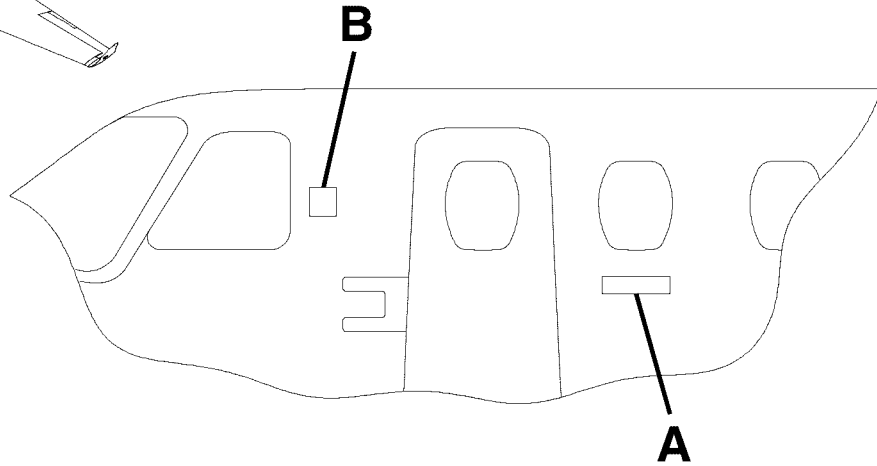
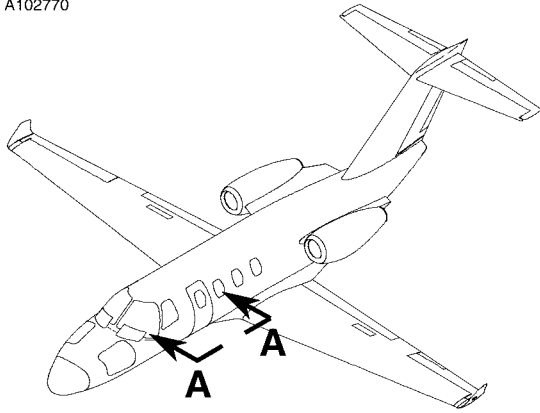
CESSNA®  
**MODEL 525 (SERIALS -0685 AND -0800 AND ON)**  
 ILLUSTRATED PARTS CATALOG

FIG ITEM	PART NUMBER	1 2 3 4 5 6 7	NOMENCLATURE	UNITS PER ASSY	
03			SERBIAN INTERIOR PLACARDS AND MARKINGS - ESCAPE HATCH		RF R
-					
1	4316002-27		. PLACARD-OPEN . . . . .	0911	& ON 01 R
2	4316002-26		. PLACARD-REMOVE COVER . . . . .	0911	& ON 01 R

- ITEM NOT ILLUSTRATED

CESSNA®  
MODEL 525 (SERIALS -0685 AND -0800 AND ON)  
ILLUSTRATED PARTS CATALOG

A102770



VIEW A-A



3  
DETAIL B

CITATION  
M2

1  
DETAIL A

6310T1168  
AA6314T1174

POLISH EXTERIOR PLACARDS AND MARKINGS - FUSELAGE  
FIGURE 02 (SHEET 1)



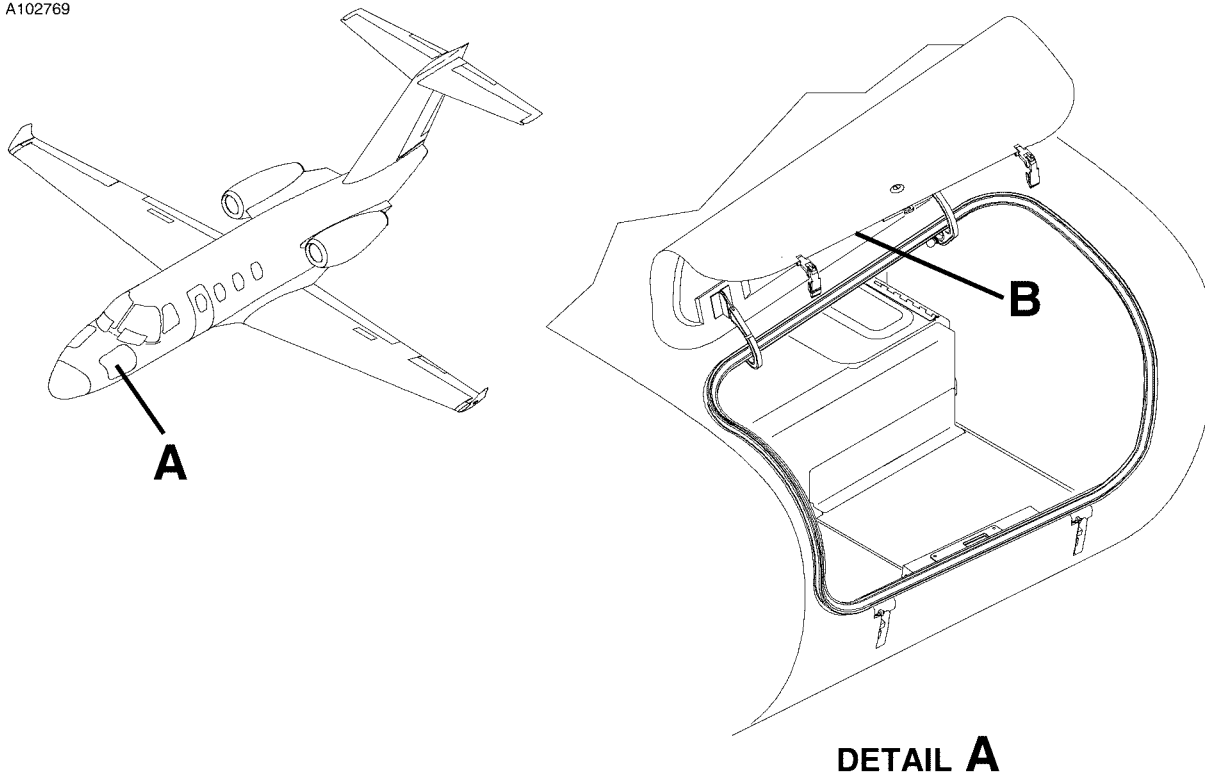
CESSNA®  
**MODEL 525 (SERIALS -0685 AND -0800 AND ON)**  
 ILLUSTRATED PARTS CATALOG

FIG ITEM	PART NUMBER	NOMENCLATURE	UNITS	
			PER	ASSY
02				
-		POLISH EXTERIOR PLACARDS AND MARKINGS - FUSELAGE	0929	& ON RF R
- 1	4416001-32	. DECAL-M2 INSIGNIA (PRIVATE AND COMMERCIAL) . . . . .		02 R
- 2	4416001-31	. PAINTMASK-M2 INSIGNIA (PRIVATE AND COMMERCIAL) . . . . .		01 R
- 3	6505010-124	. DECAL-CESSNA LOGO (PRIVATE AND COMMERCIAL) . . . . .		02 R
- 4	6505010-123	. PAINTMASK-CESSNA LOGO (PRIVATE AND COMMERCIAL) . . . . .		01 R

- ITEM NOT ILLUSTRATED

CESSNA®  
**MODEL 525 (SERIALS -0685 AND -0800 AND ON)**  
ILLUSTRATED PARTS CATALOG

A102769



**MAXIMUM WEIGHT ALLOWANCE  
400 LBS (181 KG).  
MAXIMUM FLOOR LOADING  
35 LBS/FT<sup>2</sup> (170 KG/M<sup>2</sup>).  
SEE AFM FOR WEIGHT  
AND BALANCE DATA.**

1

▲ **DETAIL B**

▲ Required for Dispatch

POLISH EXTERIOR PLACARDS AND MARKINGS - NOSE BAGGAGE  
FIGURE 01 (SHEET 1)

6310T1168  
A6313T1003

CESSNA®  
**MODEL 525 (SERIALS -0685 AND -0800 AND ON)**  
 ILLUSTRATED PARTS CATALOG

FIG ITEM	PART NUMBER	NOMENCLATURE							UNITS PER ASSY				
		1	2	3	4	5	6	7					
01													
-		POLISH EXTERIOR PLACARDS AND MARKINGS - NOSE BAGGAGE							0929	& ON	RF R		
1	4416000-163	. PHOTOPLACARD-NOSE BAG WEIGHT (PRIVATE AND COMMERCIAL) . . . . .									02 R		

- ITEM NOT ILLUSTRATED



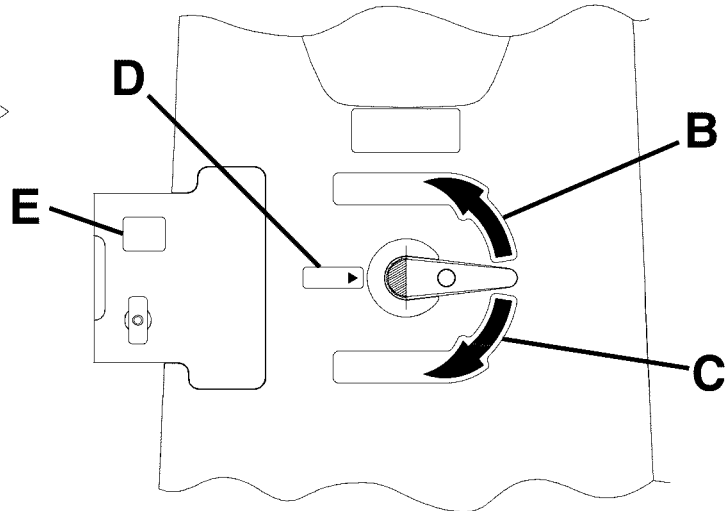
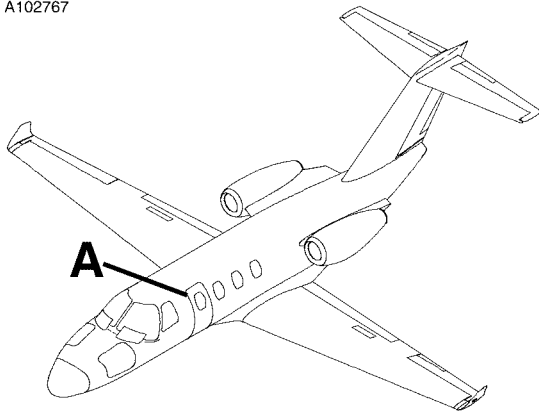
CESSNA®  
**MODEL 525 (SERIALS -0685 AND -0800 AND ON)**  
 ILLUSTRATED PARTS CATALOG

FIG ITEM	PART NUMBER	NOMENCLATURE	UNITS PER ASSY		
			1	2	3
02					
-		POLISH EXTERIOR PLACARDS AND MARKINGS - AFT BAGGAGE	0929	& ON	RF R
1	4416004-58	. PLACARD-MAX BAGGAGE WEIGHT 325LB (PRIVATE AND COMMERCIAL) . .			01 R
		ATTACHING PARTS			
- 2	MS35214-14	. SCREW . . . . .			04 R
- 3	MS21069L04	. NUTPLATE . . . . .			04 R
		—*—			

- ITEM NOT ILLUSTRATED

CESSNA®  
**MODEL 525 (SERIALS -0685 AND -0800 AND ON)**  
 ILLUSTRATED PARTS CATALOG

A102767



**DETAIL A**

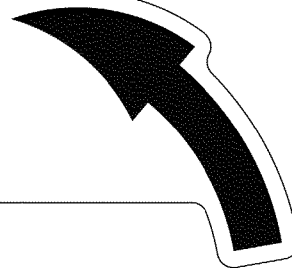
View Looking Inboard at Entry Door

**DOOR CATCH  
 RELEASE INSIDE  
 BEHIND THIS  
 PLACARD. RAISE  
 STEPS BEFORE  
 CLOSING DOOR.**

4

**DETAIL E**

**ZAMKNAĆ  
 LOCK**



1

▲ **DETAIL B**

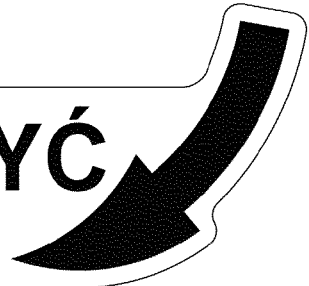
**PCHNAĆ  
 PUSH**



3

▲ **DETAIL D**

**OTWORZYĆ  
 OPEN**



2

▲ **DETAIL C**

▲ Required for Dispatch

6310T1168  
 A6319T1646

POLISH EXTERIOR PLACARDS AND MARKINGS - CABIN DOOR  
 FIGURE 01 (SHEET 1)

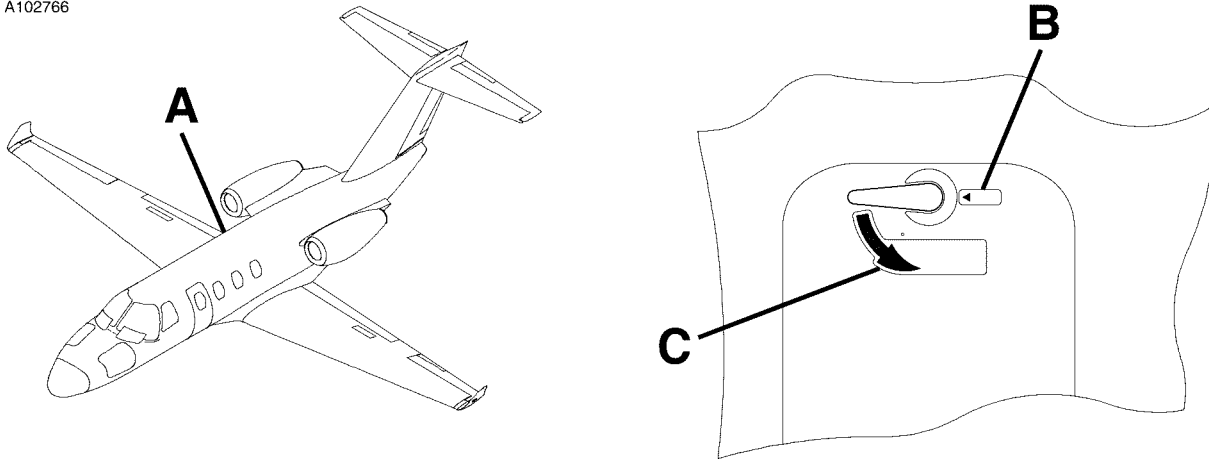
CESSNA®  
**MODEL 525 (SERIALS -0685 AND -0800 AND ON)**  
 ILLUSTRATED PARTS CATALOG

FIG ITEM	PART NUMBER	NOMENCLATURE	UNITS	
			PER	ASSY
01				
-		POLISH EXTERIOR PLACARDS AND MARKINGS - CABIN DOOR	0929	& ON RF R
1	4316017-24	. DECAL-CABIN DOOR (LOCK) . . . . .		01 R
- 1A	4316002-16	. DECAL-CABIN DOOR (LOCK) PRIVATE . . . . .		01 R
2	4316017-25	. DECAL-CABIN DOOR (OPEN) . . . . .		01 R
- 2A	4316002-17	. DECAL-CABIN DOOR (OPEN) PRIVATE . . . . .		01 R
3	4316017-23	. DECAL-CABIN DOOR (PUSH) . . . . .		01 R
- 3A	4316002-15	. DECAL-CABIN DOOR (PUSH) PRIVATE . . . . .		01 R
4	4416000-172	. PLACARD-CABIN DOOR PRECATCH HANDLE (PRIVATE) . . . . .		01 R

- ITEM NOT ILLUSTRATED

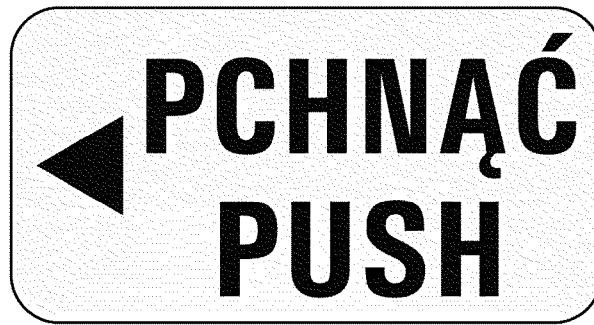
CESSNA®  
MODEL 525 (SERIALS -0685 AND -0800 AND ON)  
ILLUSTRATED PARTS CATALOG

A102766



**DETAIL A**

Looking Inboard at Escape Hatch



2

▲ **DETAIL B**



1

▲ **DETAIL C**

▲ Required for Dispatch

6310T1168  
A4711953-2

POLISH EXTERIOR PLACARDS AND MARKINGS - ESCAPE HATCH  
FIGURE 02 (SHEET 1)



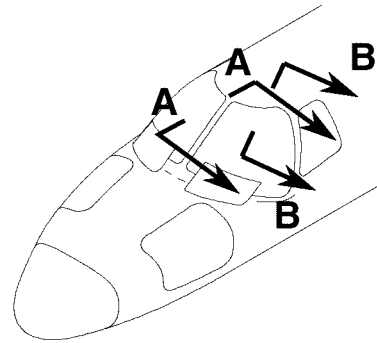
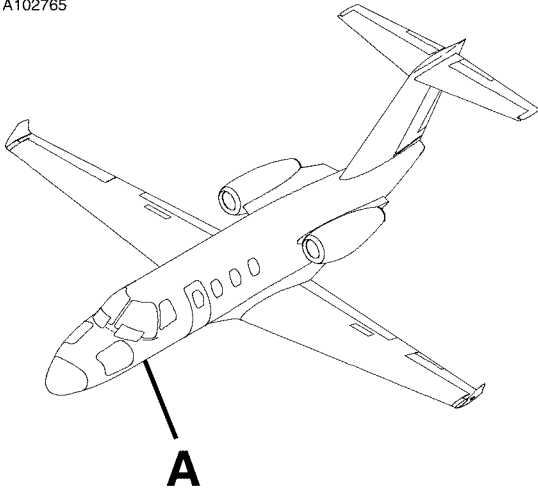
CESSNA®  
**MODEL 525 (SERIALS -0685 AND -0800 AND ON)**  
 ILLUSTRATED PARTS CATALOG

FIG ITEM	PART NUMBER	1 2 3 4 5 6 7	NOMENCLATURE	UNITS PER ASSY		
				0929	& ON	RF R
02			POLISH EXTERIOR PLACARDS AND MARKINGS - ESCAPE HATCH			
-				0929	& ON	RF R
1	4316017-1		. DECAL-EMERGENCY EXIT (OPEN) . . . . .			01 R
- 1A	4316002-1		. DECAL-EMERGENCY EXIT (OPEN) PRIVATE . . . . .			01 R
2	4316017-2		. DECAL-EMERGENCY EXIT (PUSH) . . . . .			01 R
- 2A	4316002-2		. DECAL-EMERGENCY EXIT (PUSH) PRIVATE . . . . .			01 R

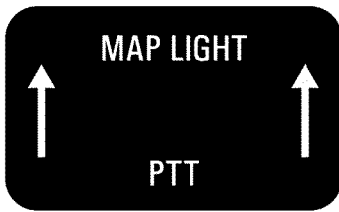
- ITEM NOT ILLUSTRATED

CESSNA®  
**MODEL 525 (SERIALS -0685 AND -0800 AND ON)**  
 ILLUSTRATED PARTS CATALOG

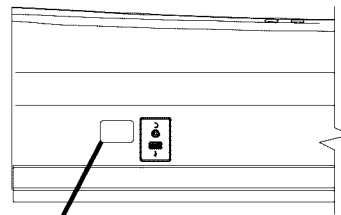
A102765



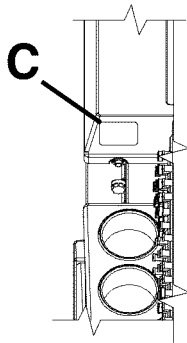
**DETAIL A**



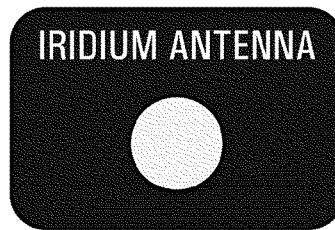
2  
**DETAIL C**



**B**  
 VIEW A-A



**VIEW B-B**  
 View Looking at Left Hand Side Console



1  
**DETAIL B**

6310T1168  
 B6310T1168  
 AA6310T1183  
 BB6310T1184

POLISH INTERIOR PLACARDS AND MARKINGS - LH CONSOLE  
 FIGURE 04 (SHEET 1)

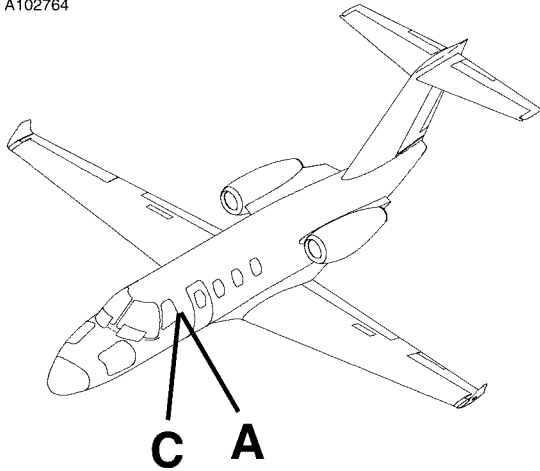
CESSNA®  
**MODEL 525 (SERIALS -0685 AND -0800 AND ON)**  
 ILLUSTRATED PARTS CATALOG

FIG ITEM	PART NUMBER	NOMENCLATURE	UNITS PER ASSY	
			1 2 3 4 5 6 7	
04				
-		POLISH INTERIOR PLACARDS AND MARKINGS - LH CONSOLE	0929	& ON RF R
1	4316002-35	. PLACARD-IRIDIUM ANTENNA (PRIVATE AND COMMERCIAL) . . . . .		01 R
2	4316002-38	. PLACARD-MAP LIGHT/PTT (PRIVATE AND COMMERCIAL) . . . . .		02 R

- ITEM NOT ILLUSTRATED

CESSNA®  
**MODEL 525 (SERIALS -0685 AND -0800 AND ON)**  
 ILLUSTRATED PARTS CATALOG

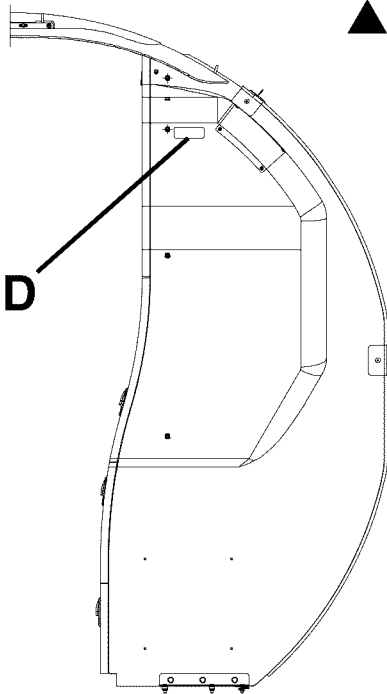
A102764



STOW CURTAIN FOR  
 TAXI, TAKEOFF, AND LANDING.

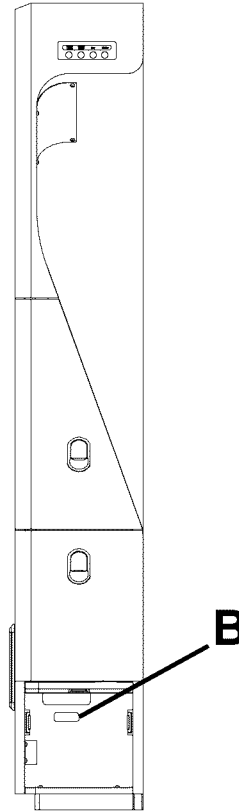
2

▲ **DETAIL D**



**DETAIL C**

Looking Aft at Left Hand Cabinet Assembly



**DETAIL A**

CABIN BRIEFER  
 PROGRAM LOAD PORT

1

**DETAIL B**

▲ Required for Dispatch

POLISH INTERIOR PLACARDS AND MARKINGS - FLIGHT COMPARTMENT  
 FIGURE 05 (SHEET 1)

6310T1168  
 A471T1953  
 C471T1953

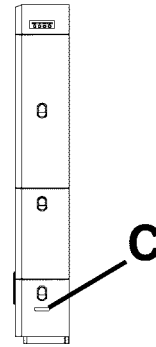
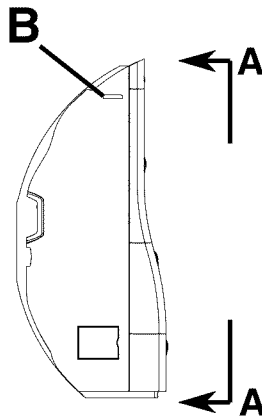
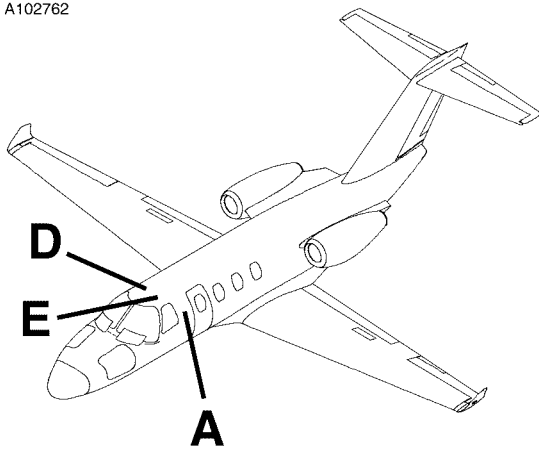
CESSNA®  
**MODEL 525 (SERIALS -0685 AND -0800 AND ON)**  
 ILLUSTRATED PARTS CATALOG

FIG ITEM	PART NUMBER	NOMENCLATURE	UNITS PER ASSY	
			1 2 3 4 5 6 7	
05				
-		POLISH INTERIOR PLACARDS AND MARKINGS - FLIGHT COMPARTMENT	0929	& ON RF R
1	4316002-40	. PLACARD-CABIN BRIEFER PORT (PRIVATE AND COMMERCIAL) . . . . .		01 R
2	4316002-8	. PLACARD-CURTAIN INSTRUCTIONS (PRIVATE AND COMMERCIAL) . . . . .		01 R

- ITEM NOT ILLUSTRATED

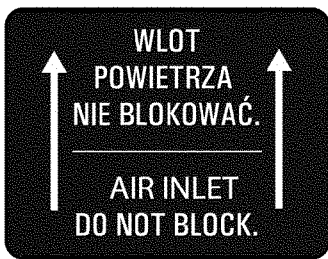
CESSNA®  
**MODEL 525 (SERIALS -0685 AND -0800 AND ON)**  
 ILLUSTRATED PARTS CATALOG

A102762



VIEW A-A

DETAIL A



3

DETAIL F

PODZAS KOŁOWANIA, STARTU I LĄDOWANIA  
 ZAMKNAĆ WSZYSTKIE DRZWI OD SZAFEK I SZUFLADY.

CLOSE ALL CABINET DOORS AND DRAWERS  
 FOR TAXI, TAKEOFF, AND LANDING.

1

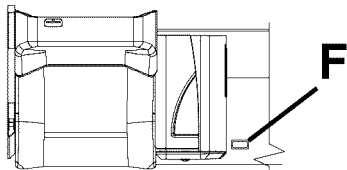
▲ DETAIL B

NIE WRZUCAĆ PAPIEROSÓW;  
 WYMAGANA METALOWA WKŁADKA DO KOSZA.

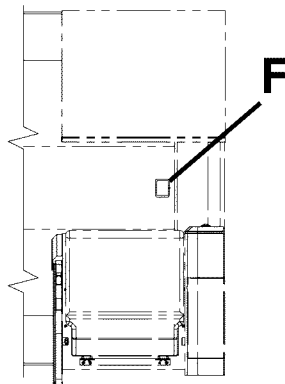
NO CIGARETTE DISPOSAL;  
 METAL TRASH LINER REQUIRED.

2

▲ DETAIL C

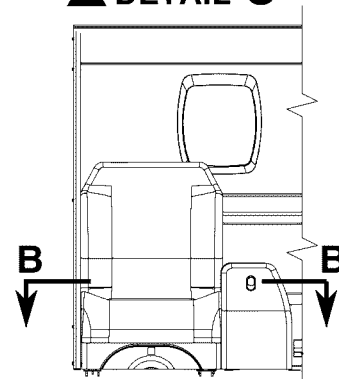


VIEW B-B



DETAIL E

View Looking Down on Aft End of Dropped Aisle



DETAIL D

Looking Outboard at Side Facing Seat

▲ Required for Dispatch

POLISH INTERIOR PLACARDS AND MARKINGS - FORWARD CABIN  
 FIGURE 01 (SHEET 1)

6310T1168  
 A6320T1021  
 D6320T1021  
 AA6320T1021  
 BB6320T1021  
 CC6320T1021

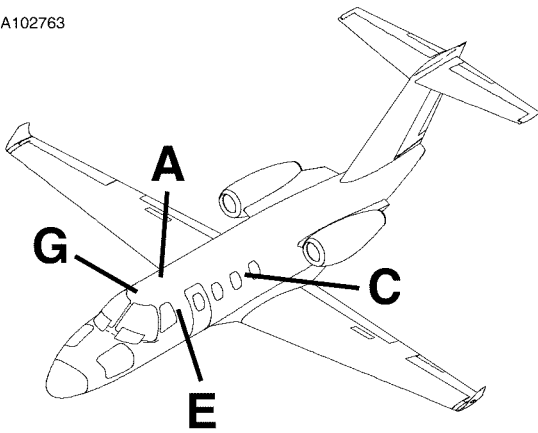
CESSNA®  
**MODEL 525 (SERIALS -0685 AND -0800 AND ON)**  
 ILLUSTRATED PARTS CATALOG

FIG ITEM	PART NUMBER	NOMENCLATURE	UNITS	
			PER	ASSY
01				
-		POLISH INTERIOR PLACARDS AND MARKINGS - FORWARD CABIN	0929	& ON RF R
- 1	4316017-16	. PLACARD-CABINET INSTRUCTIONS . . . . .		01 R
- 1A	4316002-23	. PLACARD-CABINET INSTRUCTIONS (PRIVATE) . . . . .		01 R
- 2	4316017-15	. PLACARD-TRASH CONTAINER WITH LINER . . . . .		01 R
- 2A	4316002-20	. PLACARD-TRASH CONTAINER WITH LINER (PRIVATE) . . . . .		01 R
- 3	4316017-29	. PLACARD-AIR INLET . . . . .		01 R
- 3A	4316002-24	. PLACARD-AIR INLET (PRIVATE) . . . . .		01 R
- 4	4717197-5	. PLACARD-COVER . . . . .		01 R
- 4A	4717018-3	. PLACARD-COVER (PRIVATE) . . . . .		01 R

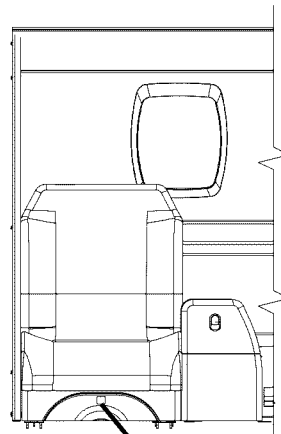
- ITEM NOT ILLUSTRATED

CESSNA®  
**MODEL 525 (SERIALS -0685 AND -0800 AND ON)**  
 ILLUSTRATED PARTS CATALOG

A102763

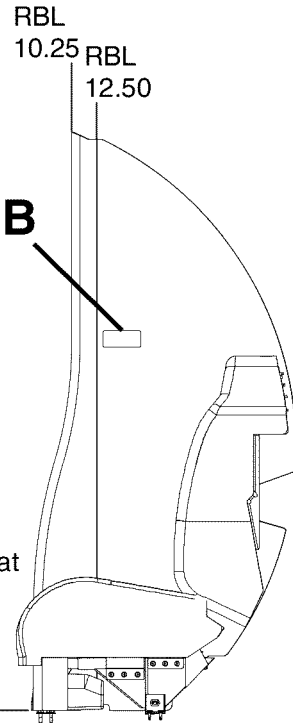


**STOW CURTAIN FOR TAXI, TAKEOFF, AND LANDING.**



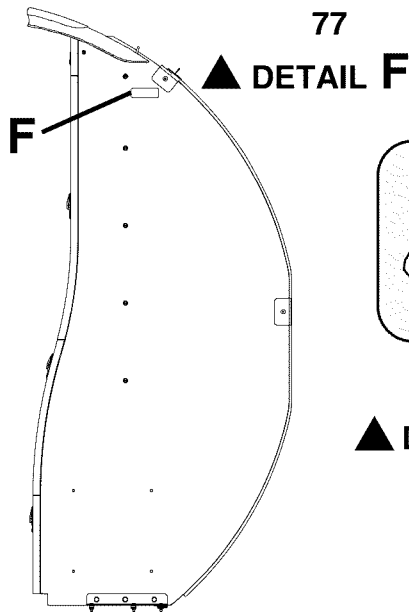
**H**  
**DETAIL G**

Looking Outboard at Side Facing Seat



**DETAIL A**

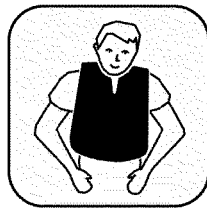
View Looking Forward at SFS and RH Forward Divider



**DETAIL F**

**DETAIL E**

View Looking Aft at Left Hand Side Forward Refreshment Center



**78**  
**DETAIL H**

**ZAŁOŻYĆ BARKOWY PAS BEZPIECZEŃSTWA PODCZAS KOŁOWANIA, STARTU I LĄDOWANIA.**  
**KAMIZELKA RATUNKOWA ZNAJDUJE SIĘ POD SIEDZENIEM.**

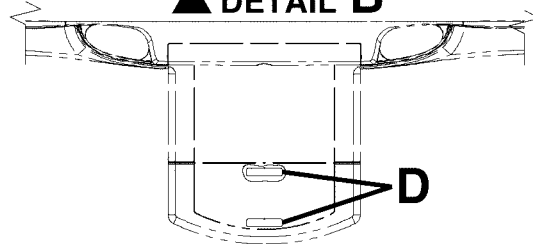
---

**FASTEN SHOULDER HARNESS FOR TAXI, TAKEOFF, AND LANDING.**

**LIFE VEST IN SEAT BASE.**

**76**

**DETAIL B**



**DETAIL C**

View Looking Down on Right Hand Side Deployed Table, Left Hand Opposite

6310T1168  
 A4711991-4

**SCHOWAĆ PODCZAS KOŁOWANIA, STARTU I LĄDOWANIA.**  
**STOW FOR TAXI, TAKEOFF, AND LANDING.**

**75**

**DETAIL D**

▲ Required for Dispatch

POLISH INTERIOR PLACARDS AND MARKINGS - FORWARD CABIN  
 FIGURE 01 (SHEET 2)



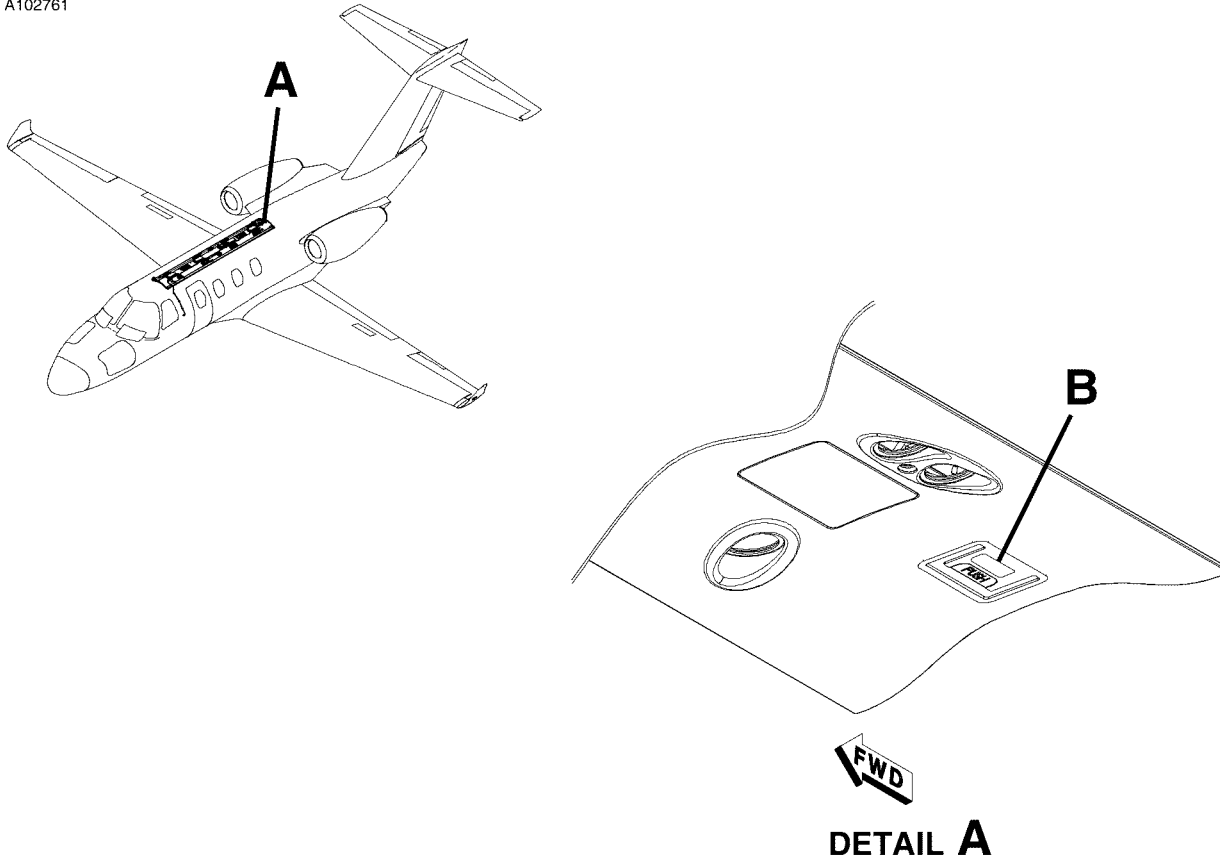
CESSNA®  
**MODEL 525 (SERIALS -0685 AND -0800 AND ON)**  
 ILLUSTRATED PARTS CATALOG

FIG ITEM	PART NUMBER	NOMENCLATURE	UNITS
			PER ASSY
01			
75	4316017-200	. PLACARD-TABLE INSTRUCTIONS . . . . .	04 R
- 75A	4316002-200	. PLACARD-TABLE INSTRUCTIONS (PRIVATE) . . . . .	04 R
76	4316017-26	. PLACARD-SFS W/O ARMREST . . . . .	01 R
- 76A	4316002-21	. PLACARD-SFS W/O ARMREST (PRIVATE) . . . . .	01 R
77	4316002-8	. PLACARD-CURTAIN INSTRUCTION (PRIVATE AND COMMERCIAL) . . . . .	01 R
78	4316002-32	. PLACARD-LIFE VEST (PRIVATE AND COMMERCIAL) . . . . .	01 R

- ITEM NOT ILLUSTRATED

CESSNA®  
MODEL 525 (SERIALS -0685 AND -0800 AND ON)  
ILLUSTRATED PARTS CATALOG

A102761



1

▲ **DETAIL B**

▲ Required for Dispatch

6310T1168  
A6312T1218

POLISH INTERIOR PLACARDS AND MARKINGS - AFT CABIN  
FIGURE 02 (SHEET 1)

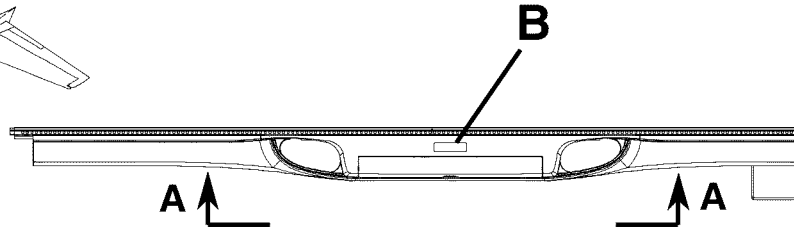
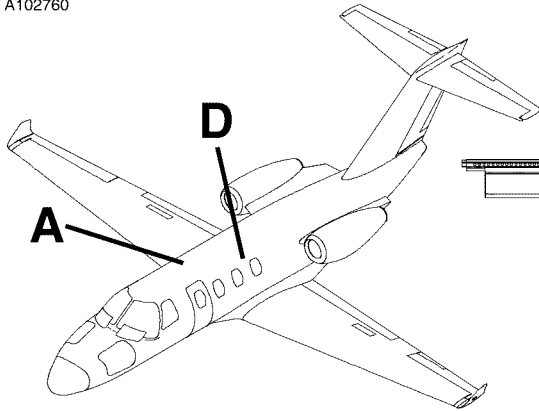
CESSNA®  
**MODEL 525 (SERIALS -0685 AND -0800 AND ON)**  
 ILLUSTRATED PARTS CATALOG

FIG ITEM	PART NUMBER	1 2 3 4 5 6 7	NOMENCLATURE	UNITS PER ASSY		
02						
-			POLISH INTERIOR PLACARDS AND MARKINGS - AFT CABIN	0929	& ON	RF R
1	4316002-34		. PLACARD-COAT ROD WT (50LB) PRIVATE AND COMMERCIAL . . . . .			01 R

- ITEM NOT ILLUSTRATED

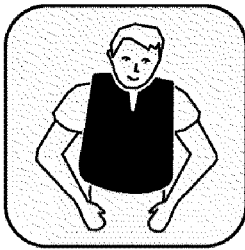
CESSNA®  
**MODEL 525 (SERIALS -0685 AND -0800 AND ON)**  
 ILLUSTRATED PARTS CATALOG

A102760



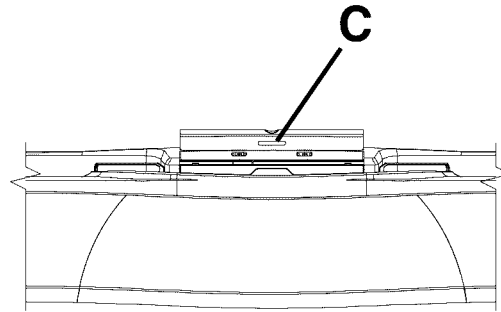
**DETAIL A**

Looking Down on Right Hand Sideledge



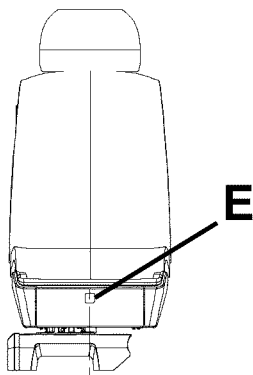
3

▲ **DETAIL E**



**VIEW A-A**

Table Lid Shown in Upright Position



**DETAIL D**

PODZAS KOLOWANIA, STARTU I LADOWANIA: WYRÓWNAĆ OPARCIE SIEDZENIA DO PIONU; WYSUNĄĆ ZAGŁÓWEK; ODSUNĄĆ SIEDZENIE OD STÓLKI I DOSUNĄĆ DO ŚCIANY; ZAPIĄC BARKOWY PAS BEZPIECZENSTWA. KAMIZELKA RATUNKOWA ZNAJDUJE SIĘ POD SIEDZENIEM.

FOR TAXI, TAKEOFF, AND LANDING: RAISE SEAT BACK; EXTEND HEADREST; TRACK SEAT AWAY FROM TABLE THEN OUTBOARD; FASTEN SHOULDER HARNESS. LIFE VEST IN SEAT BASE.

1

▲ **DETAIL B**

PODZAS KOLOWANIA, STARTU I LADOWANIA SCHOWAĆ BLAT STÓLKI.  
 CLOSE LID FOR TAXI, TAKEOFF, AND LANDING.

2

▲ **DETAIL C**

▲ Required for Dispatch

POLISH INTERIOR PLACARDS AND MARKINGS - CABIN SEATS  
 FIGURE 04 (SHEET 1)

6310T1168  
 A6319T1647  
 AA6319T1647  
 D6319T1648

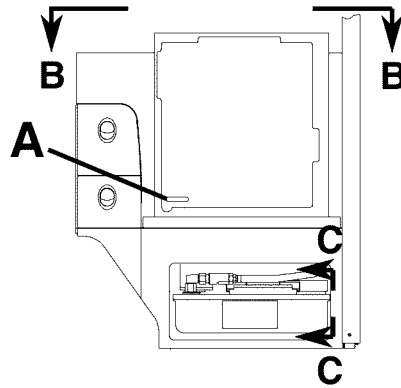
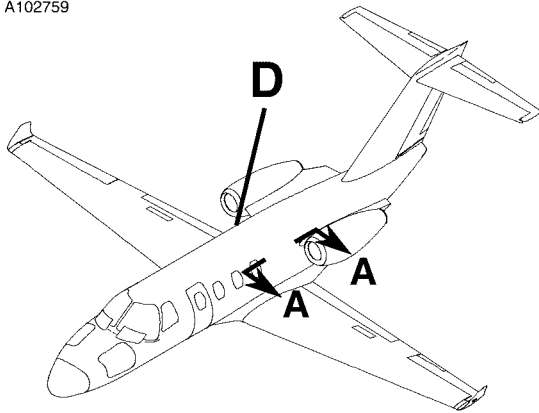
CESSNA®  
**MODEL 525 (SERIALS -0685 AND -0800 AND ON)**  
 ILLUSTRATED PARTS CATALOG

FIG ITEM	PART NUMBER	1 2 3 4 5 6 7	NOMENCLATURE	UNITS PER ASSY
04				
-			POLISH INTERIOR PLACARDS AND MARKINGS - CABIN SEATS	0929 & ON RF R
1	4316017-28		. PLACARD-PASSENGER SEAT INSTRUCTIONS . . . . .	02 R
- 1A	4316002-47		. PLACARD-PASSENGER SEAT INSTRUCTIONS (PRIVATE) . . . . .	02 R
2	4316017-27		. PLACARD-TABLE LID INSTRUCTIONS . . . . .	02 R
- 2A	4316002-28		. PLACARD-TABLE LID INSTRUCTIONS (PRIVATE) . . . . .	02 R
3	4316002-32		. PLACARD-LIFE VEST (PRIVATE AND COMMERCIAL) . . . . .	01 R

- ITEM NOT ILLUSTRATED

CESSNA®  
**MODEL 525 (SERIALS -0685 AND -0800 AND ON)**  
 ILLUSTRATED PARTS CATALOG

A102759



VIEW A-A

TOILET CHEMICAL IS CORROSIVE. USE EXTREME CARE TO PREVENT SPILLAGE. FOLLOW SERVICING INSTRUCTIONS CAREFULLY. CLEAN ANY SPILLAGE IMMEDIATELY AND REPORT IT TO THE CREW.



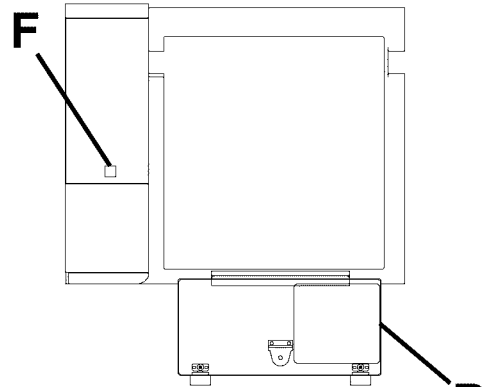
4

▲ DETAIL E

**NACISNAĆ ABY SPUŚCIĆ WODĘ**

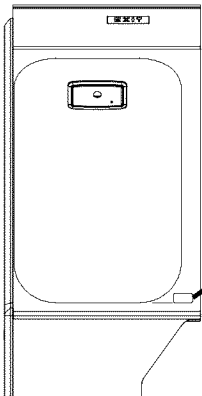
3

DETAIL A



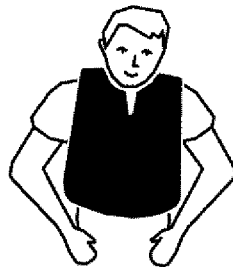
VIEW B-B

1  
 DETAIL C



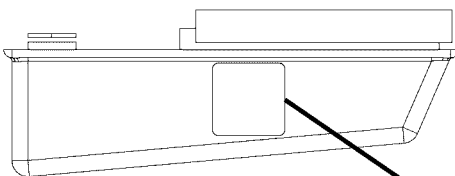
DETAIL D

View Looking Outboard



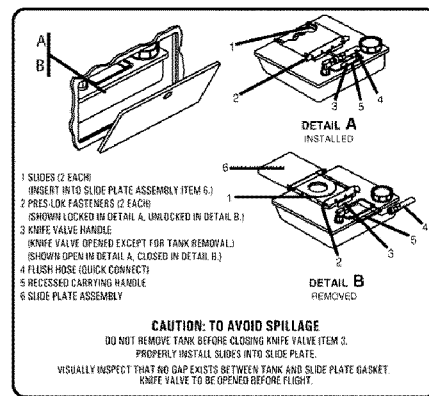
5

▲ DETAIL F



VIEW C-C

C



2

DETAIL B

▲ Required for Dispatch

6310T1168  
 A4711984-1  
 BB4711984-1  
 CC4711984-1

POLISH INTERIOR PLACARDS AND MARKINGS - LAVATORY  
 FIGURE 01 (SHEET 1)

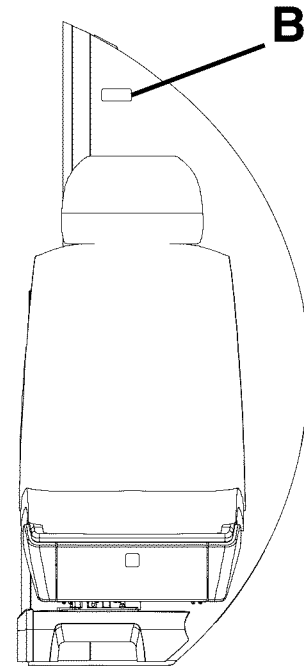
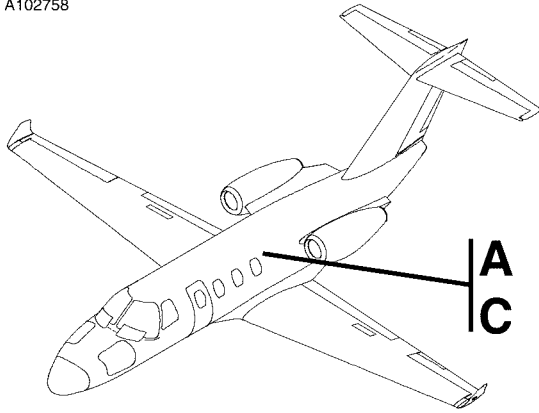
CESSNA®  
**MODEL 525 (SERIALS -0685 AND -0800 AND ON)**  
 ILLUSTRATED PARTS CATALOG

FIG ITEM	PART NUMBER	NOMENCLATURE	UNITS	
			PER	ASSY
01				
-		POLISH INTERIOR PLACARDS AND MARKINGS - LAVATORY	0929	& ON RF R
1	4316002-30	. PLACARD-TOILET CARE (PRIVATE) . . . . .		01 R
2	4316002-36	. PLACARD-TOILET SERVICING (PRIVATE) . . . . .		01 R
3	4316017-21	. PLACARD-PRESS TO FLUSH . . . . .		01 R
4	4316002-33	. PLACARD-NO BAGGAGE/NO SMOKING (PRIVATE AND COMMERCIAL) . . . . .		01 R
5	4316002-32	. PLACARD-LIFE VEST (PRIVATE AND COMMERCIAL) . . . . .		01 R

- ITEM NOT ILLUSTRATED

CESSNA®  
**MODEL 525 (SERIALS -0685 AND -0800 AND ON)**  
 ILLUSTRATED PARTS CATALOG

A102758



PODZAS KOŁOWANIA, STARTU I LĄDOWANIA:  
 SCHOWAĆ ZASŁONĘ;  
 ZAMKNAĆ WSZYSTKIE DRZWI OD SZAFEK I SZUFLADY;  
 ZAPIĄC BARKOWY PAS BEZPIECZENSTWA.  
 KAMIZELKA RATUNKOWA ZNAJDUJE SIĘ W SCHOWKU SIEDZENIA.

---

FOR TAXI, TAKEOFF, AND LANDING:  
 STOW CURTAIN;  
 CLOSE ALL CABINET DOORS AND DRAWERS;  
 FASTEN SHOULDER HARNESS.  
 LIFE VEST IN SEAT CABINET.

4

▲ **DETAIL D**

**DETAIL A**  
 LOOKING AFT

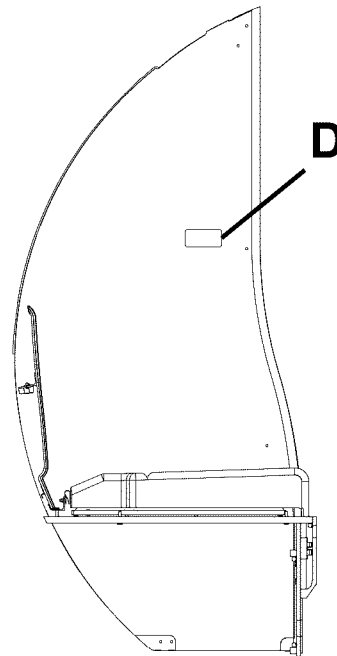
PODZAS KOŁOWANIA, STARTU I LĄDOWANIA:  
 OTWORZYĆ DRZWI PRZESUWANE;  
 ZAMKNAĆ WSZYSTKIE DRZWI OD SZAFEK I SZUFLADY;  
 ZAPIĄC BARKOWY PAS BEZPIECZENSTWA.  
 KAMIZELKA RATUNKOWA ZNAJDUJE SIĘ W SCHOWKU SIEDZENIA.

---

FOR TAXI, TAKEOFF, AND LANDING:  
 LATCH SLIDING DOORS OPEN;  
 CLOSE ALL CABINET DOORS AND DRAWERS;  
 FASTEN SHOULDER HARNESS.  
 LIFE VEST IN SEAT CABINET.

5

▲ **DETAIL D**



**DETAIL C**

LOOKING FORWARD

ZAKAZ PALENIA W TOALECIE.  
 SCHOWAĆ ZASŁONĘ  
 PODZAS KOŁOWANIA, STARTU I LĄDOWANIA.  
 NO SMOKING IN LAVATORY.  
 STOW CURTAIN  
 FOR TAXI, TAKEOFF, AND LANDING.

1

▲ **DETAIL B**

ZAKAZ PALENIA W TOALECIE.  
 OTWORZYĆ I ZABEZPIECZYĆ DRZWI PRZESUWANE.  
 PODZAS KOŁOWANIA, STARTU I LĄDOWANIA.  
 NO SMOKING IN LAVATORY.  
 LATCH SLIDING DOORS OPEN  
 FOR TAXI, TAKEOFF, AND LANDING.

2

▲ **DETAIL B**

▲ Required for Dispatch

6310T1168  
 A6319T1649  
 C6319T1650

POLISH INTERIOR PLACARDS AND MARKINGS - DIVIDERS  
 FIGURE 02 (SHEET 1)



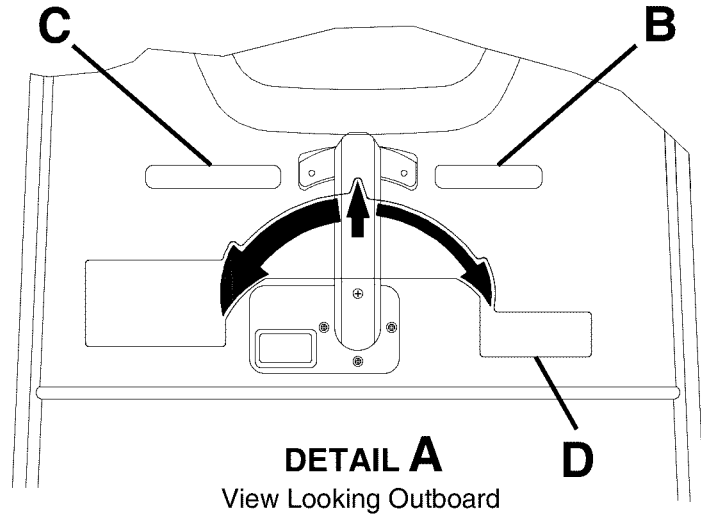
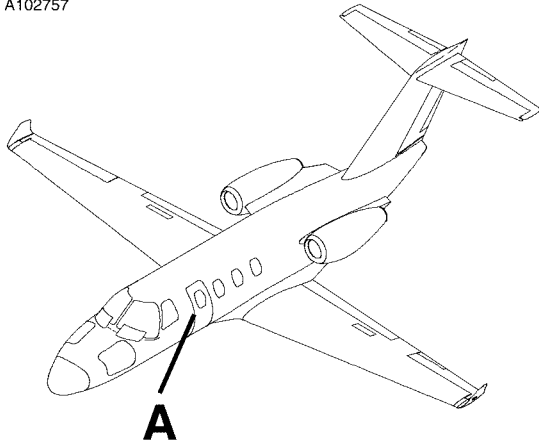
CESSNA®  
**MODEL 525 (SERIALS -0685 AND -0800 AND ON)**  
 ILLUSTRATED PARTS CATALOG

FIG ITEM	PART NUMBER	1 2 3 4 5 6 7	NOMENCLATURE	UNITS PER ASSY		
				0929	& ON	RF R
02			POLISH INTERIOR PLACARDS AND MARKINGS - DIVIDERS			
-				0929	& ON	RF R
1	4316017-17		. PLACARD-AFT CABIN INSTRUCTIONS (CURTAIN) . . . . .			01 R
2	4316017-18		. PLACARD-AFT CABIN INSTRUCTIONS (DOOR) . . . . .			01 R
- 2A	4316002-41		. PLACARD-AFT CABIN INSTRUCTIONS (DOOR) PRIVATE . . . . .			01 R
- 3	4316002-25		. PLACARD-AFT CABIN INSTRUCTIONS (PRIVATE) . . . . .			01 R
4	4316017-19		. PLACARD-LH BELTED TOILET (CURTAIN) . . . . .			01 R
- 4A	4316002-29		. PLACARD-LH BELTED TOILET (CURTAIN) PRIVATE . . . . .			01 R
5	4316017-20		. PLACARD-LH BELTED TOILET (DOOR) . . . . .			01 R
- 5A	4316002-42		. PLACARD-LH BELTED TOILET (DOOR) PRIVATE . . . . .			01 R

- ITEM NOT ILLUSTRATED

CESSNA®  
**MODEL 525 (SERIALS -0685 AND -0800 AND ON)**  
 ILLUSTRATED PARTS CATALOG

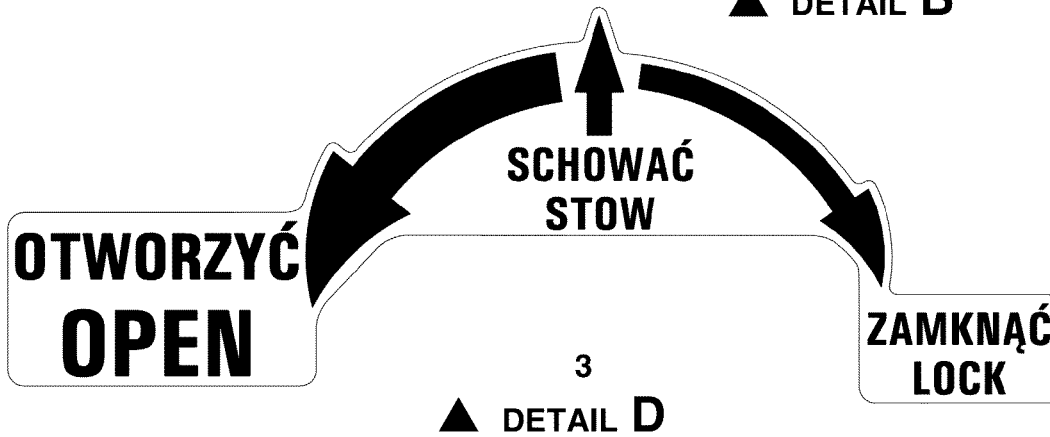
A102757



**TO RELEASE: PUSH BUTTON,  
 PULL TRIGGER ON HANDLE.**

1

▲ **DETAIL B**



**ABY OTWORZYĆ: WCISNAĆ PRZYCIISK,  
 NACISNAĆ SPUST NA UCHWYCIU**

2

▲ **DETAIL C**

▲ Required for Dispatch

6310T1168  
 A4711T989-11

POLISH INTERIOR PLACARDS AND MARKINGS - CABIN DOOR  
 FIGURE 01 (SHEET 1)

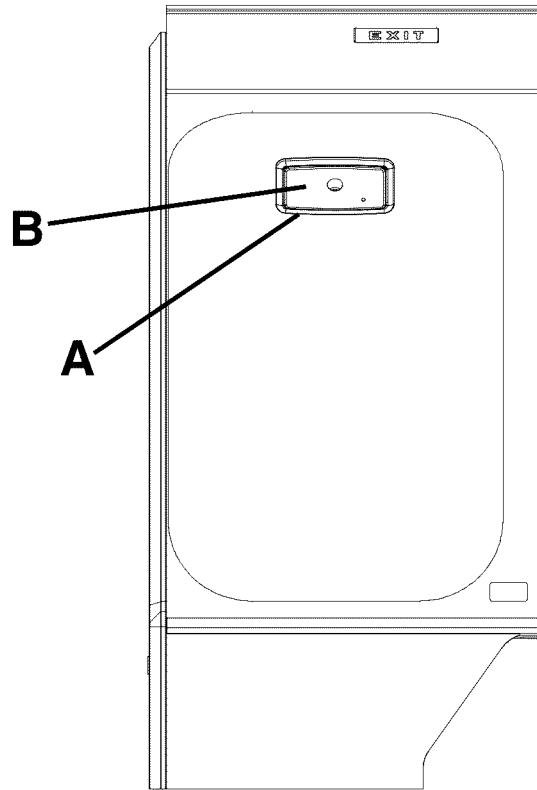
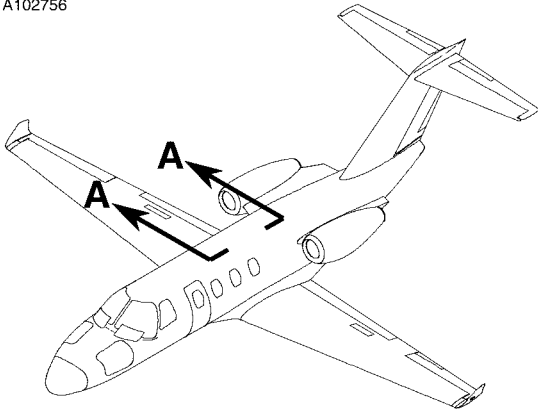
CESSNA®  
**MODEL 525 (SERIALS -0685 AND -0800 AND ON)**  
 ILLUSTRATED PARTS CATALOG

FIG ITEM	PART NUMBER	NOMENCLATURE	UNITS	
			PER	ASSY
01				
-		POLISH INTERIOR PLACARDS AND MARKINGS - CABIN DOOR	0929	& ON RF R
1	4316002-19	. DECAL-CABIN DOOR HANDLE INSTRUCTIONS (PRIVATE) . . . . .		01 R
2	4316017-30	. DECAL-CABIN DOOR HANDLE INSTRUCTIONS . . . . .		01 R
3	4316017-31	. DECAL-CABIN DOOR INSTRUCTIONS . . . . .		01 R
- 3A	4316002-18	. DECAL-CABIN DOOR INSTRUCTIONS (PRIVATE) . . . . .		01 R

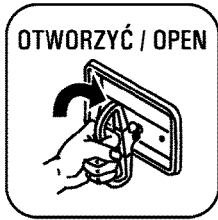
- ITEM NOT ILLUSTRATED

CESSNA®  
**MODEL 525 (SERIALS -0685 AND -0800 AND ON)**  
 ILLUSTRATED PARTS CATALOG

A102756

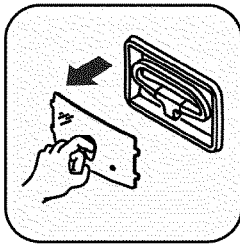


**VIEW A-A**



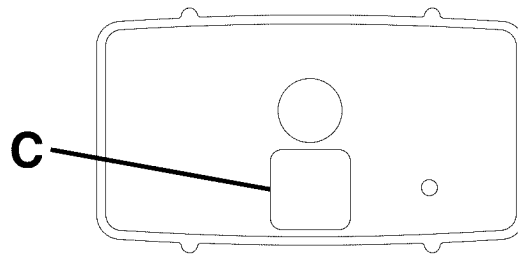
2

▲ **DETAIL D**

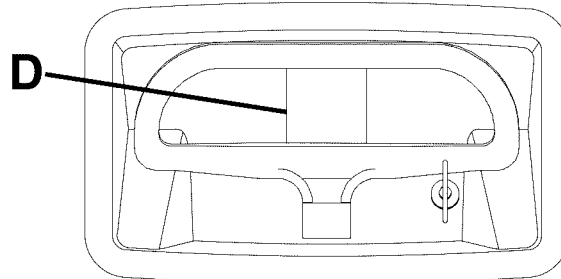


1

▲ **DETAIL C**



**DETAIL A**



**DETAIL B**

▲ Required for Dispatch

POLISH INTERIOR PLACARDS AND MARKINGS - ESCAPE HATCH  
 FIGURE 02 (SHEET 1)

6310T1168  
 AA4711T983-17  
 A-B4711T983-17

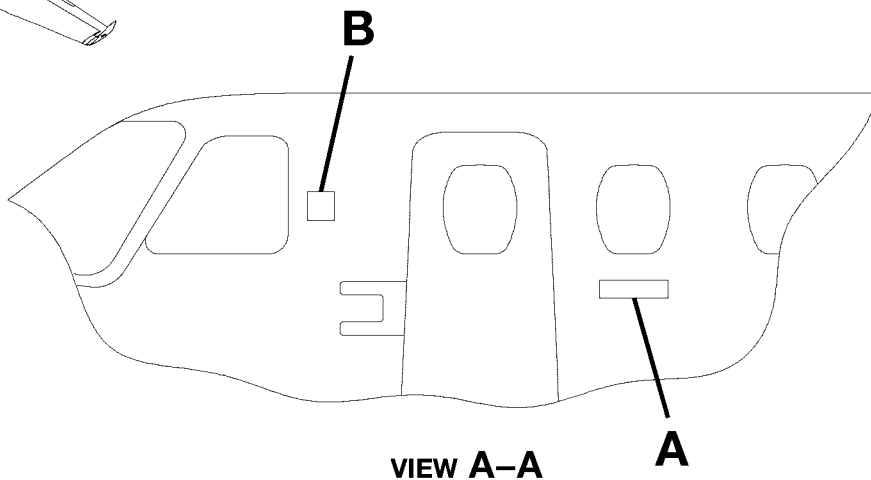
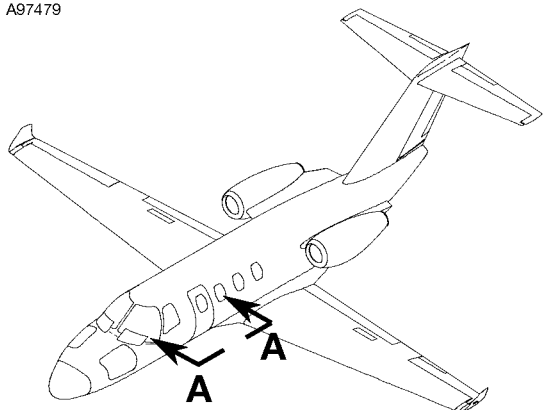
CESSNA®  
**MODEL 525 (SERIALS -0685 AND -0800 AND ON)**  
 ILLUSTRATED PARTS CATALOG

FIG ITEM	PART NUMBER	1 2 3 4 5 6 7	NOMENCLATURE	UNITS PER ASSY		
02						
-			POLISH INTERIOR PLACARDS AND MARKINGS - ESCAPE HATCH	0929	& ON	RF R
1	4316002-26		. PLACARD-ESCAPE HATCH COVER INSTRUCTIONS (PRIVATE) . . . . .			01 R
2	4316017-22		. PLACARD-ESCAPE HATCH HANDLE INSTRUCTIONS . . . . .			01 R
- 2A	4316002-27		. PLACARD-ESCAPE HATCH HANDLE INSTRUCTIONS (PRIVATE) . . . . .			01 R

- ITEM NOT ILLUSTRATED

CESSNA®  
MODEL 525 (SERIALS -0685 AND -0800 AND ON)  
ILLUSTRATED PARTS CATALOG

A97479



3  
DETAIL B

CITATION  
M2

1  
DETAIL A

SAMMARINESE EXTERIOR PLACARDS AND MARKINGS - FUSELAGE  
FIGURE 02 (SHEET 1)

6310T1168  
AA6314T1174

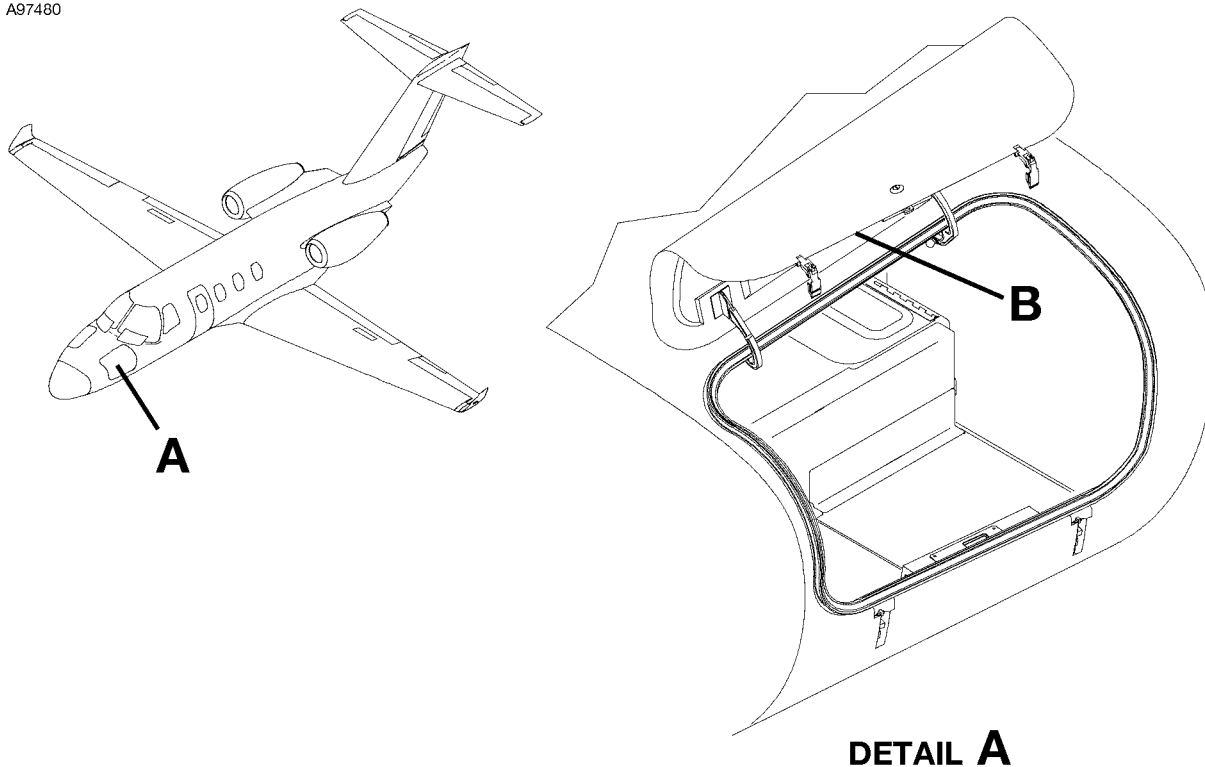
CESSNA®  
**MODEL 525 (SERIALS -0685 AND -0800 AND ON)**  
 ILLUSTRATED PARTS CATALOG

FIG ITEM	PART NUMBER	NOMENCLATURE	UNITS PER ASSY		
			1	2	3
02					
-		SAMMARINESE EXTERIOR PLACARDS AND MARKINGS - FUSELAGE	0851	& ON	RF R
- 1	4416001-32	. DECAL-M2 INSIGNIA . . . . .			02 R
- 2	4416001-31	. PAINTMASK-M2 INSIGNIA . . . . .			01 R
- 3	6505010-124	. DECAL-CESSNA LOGO . . . . .			02 R
- 4	6505010-123	. PAINTMASK-CESSNA LOGO . . . . .			01 R

- ITEM NOT ILLUSTRATED

CESSNA®  
**MODEL 525 (SERIALS -0685 AND -0800 AND ON)**  
ILLUSTRATED PARTS CATALOG

A97480



**MAXIMUM WEIGHT ALLOWANCE  
400 LBS (181 KG).  
MAXIMUM FLOOR LOADING  
35 LBS/FT<sup>2</sup> (170 KG/M<sup>2</sup>).  
SEE AFM FOR WEIGHT  
AND BALANCE DATA.**

1

▲ **DETAIL B**

▲ Required for Dispatch

SAMMARINESE EXTERIOR PLACARDS AND MARKINGS - NOSE BAGGAGE  
FIGURE 01 (SHEET 1)

6310T1168  
A6313T1003



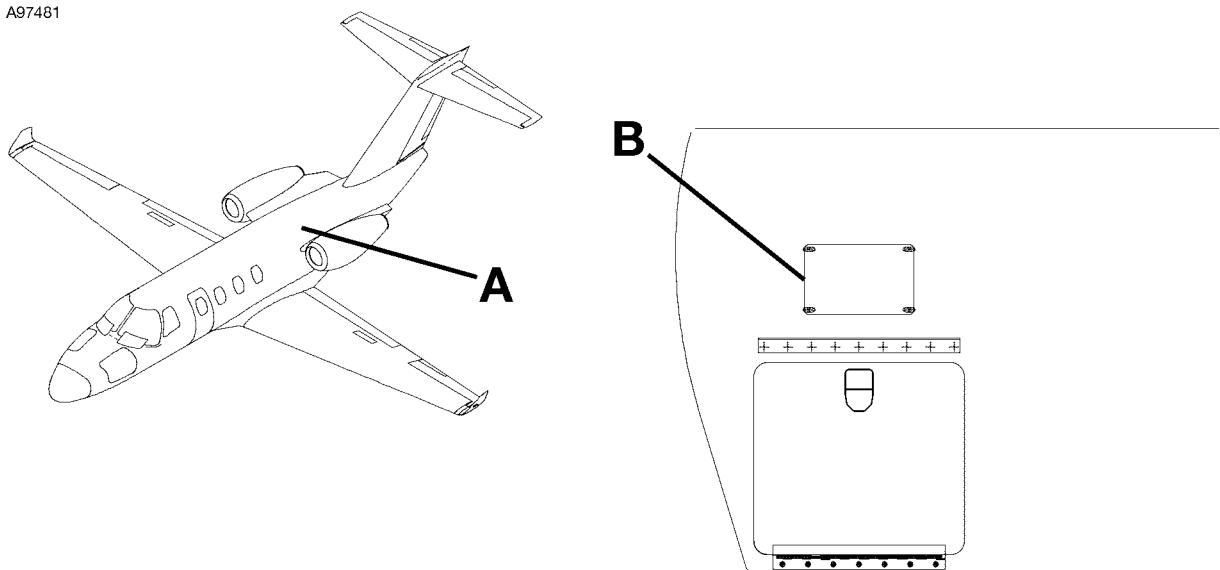
CESSNA®  
**MODEL 525 (SERIALS -0685 AND -0800 AND ON)**  
 ILLUSTRATED PARTS CATALOG

FIG ITEM	PART NUMBER	1 2 3 4 5 6 7	NOMENCLATURE	UNITS PER ASSY		
01						
-			SAMMARINESE EXTERIOR PLACARDS AND MARKINGS - NOSE BAGGAGE	0851	& ON	RF R
1	4416000-163		. PLACARD-NOSE BAGGAGE WEIGHT . . . . .			02 R

- ITEM NOT ILLUSTRATED

CESSNA®  
**MODEL 525 (SERIALS -0685 AND -0800 AND ON)**  
ILLUSTRATED PARTS CATALOG

A97481



**DETAIL A**

Looking Forward at Left Hand Side Forward Wall

⊕ MAXIMUM WEIGHT ALLOWANCE ⊕  
325 LBS (147 KG).  
MAXIMUM FLOOR LOADING  
100 LBS/FT<sup>2</sup> (488 KG/M<sup>2</sup>).  
SEE AFM FOR WEIGHT AND BALANCE DATA.  
  
SECURE BAGGAGE WITH CARGO NET.  
  
⊕ LATCH ALL DOORS PRIOR TO FLIGHT. ⊕

1

▲ **DETAIL B**

▲ Required for Dispatch

SAMMARINESE EXTERIOR PLACARDS AND MARKINGS - AFT BAGGAGE  
FIGURE 02 (SHEET 1)

6310T1168  
A6312T1220

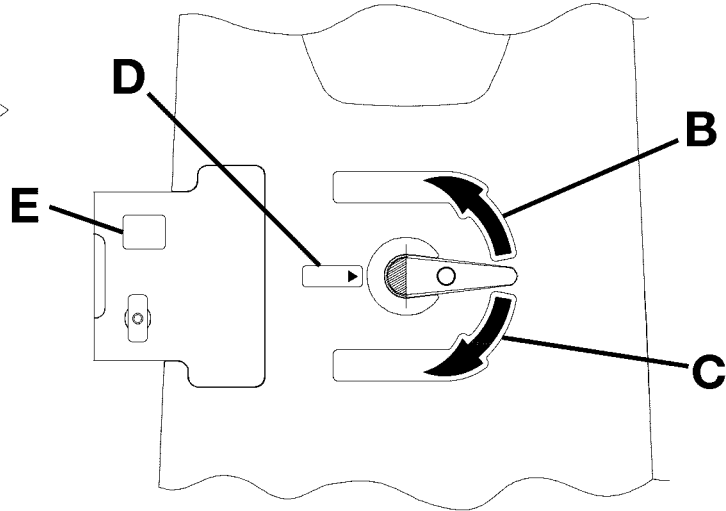
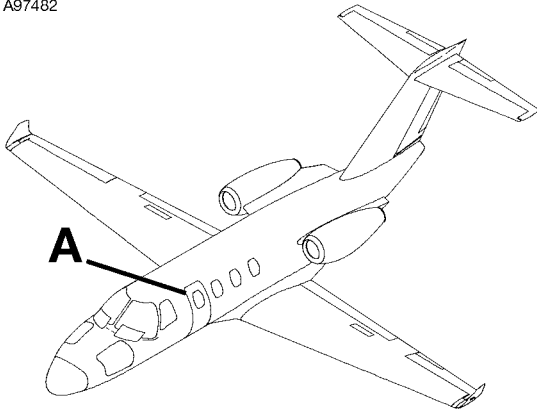
CESSNA®  
**MODEL 525 (SERIALS -0685 AND -0800 AND ON)**  
 ILLUSTRATED PARTS CATALOG

FIG ITEM	PART NUMBER	NOMENCLATURE	UNITS	
			PER	ASSY
02				
-		SAMMARINESE EXTERIOR PLACARDS AND MARKINGS - AFT BAGGAGE	0851	& ON RF R
1	4416004-58	. PLACARD-MAX BAGGAGE WEIGHT 325LB . . . . .		01 R
		ATTACHING PARTS		
- 2	MS35214-14	. SCREW . . . . .		04 R
- 3	MS21069L04	. NUTPLATE . . . . .		04 R
		—*—		

- ITEM NOT ILLUSTRATED

CESSNA®  
**MODEL 525 (SERIALS -0685 AND -0800 AND ON)**  
 ILLUSTRATED PARTS CATALOG

A97482



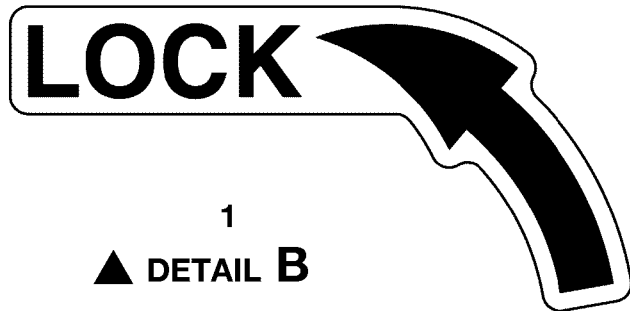
**DETAIL A**

(View Looking Inboard at Entry Door)

**DOOR CATCH  
 RELEASE INSIDE  
 BEHIND THIS  
 PLACARD. RAISE  
 STEPS BEFORE  
 CLOSING DOOR.**

4

**DETAIL E**



1

▲ **DETAIL B**



3

▲ **DETAIL D**



2

▲ **DETAIL C**

▲ Required for Dispatch

6310T1168  
 A6319T1646

SAMMARINESE EXTERIOR PLACARDS AND MARKINGS - CABIN DOOR  
 FIGURE 01 (SHEET 1)

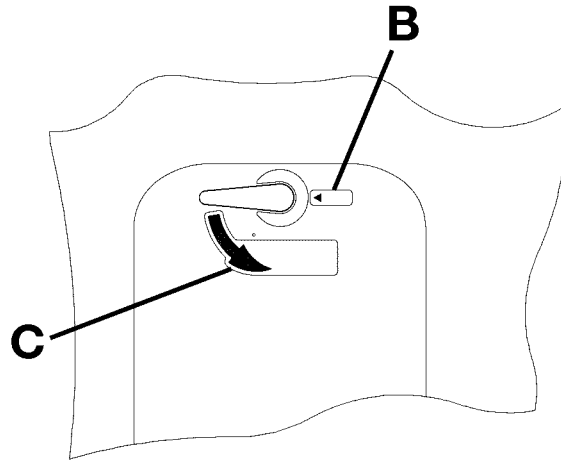
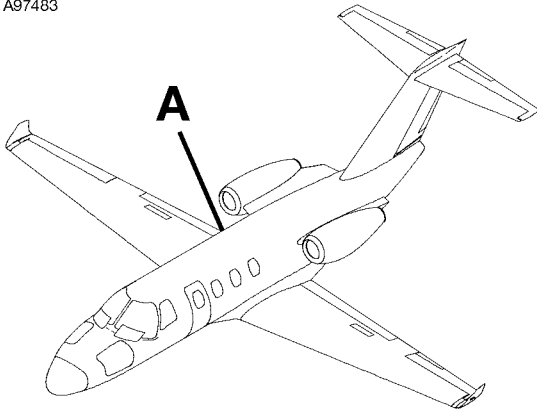
CESSNA®  
**MODEL 525 (SERIALS -0685 AND -0800 AND ON)**  
 ILLUSTRATED PARTS CATALOG

FIG ITEM	PART NUMBER	NOMENCLATURE	UNITS	
			PER	ASSY
01				
-		SAMMARINESE EXTERIOR PLACARDS AND MARKINGS - CABIN DOOR	0851	& ON RF R
1	4316002-16	. DECAL-LOCK .....		01 R
2	4316002-17	. DECAL-OPEN .....		01 R
3	4316002-15	. DECAL-PUSH .....		01 R
4	4416000-172	. PLACARD-PRECATCH HANDLE .....		01 R

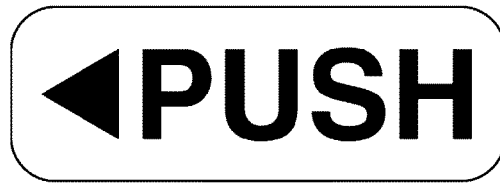
- ITEM NOT ILLUSTRATED

CESSNA®  
MODEL 525 (SERIALS -0685 AND -0800 AND ON)  
ILLUSTRATED PARTS CATALOG

A97483



**DETAIL A**  
Looking Inboard at Escape Hatch



2

▲ **DETAIL B**



1

▲ **DETAIL C**

▲ Required for Dispatch

6310T1168  
A4711953-2

SAMMARINESE EXTERIOR PLACARDS AND MARKINGS - ESCAPE HATCH  
FIGURE 02 (SHEET 1)

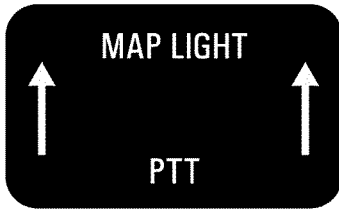
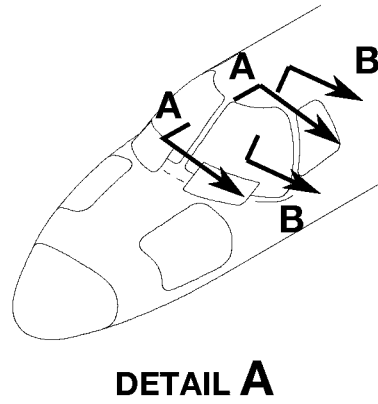
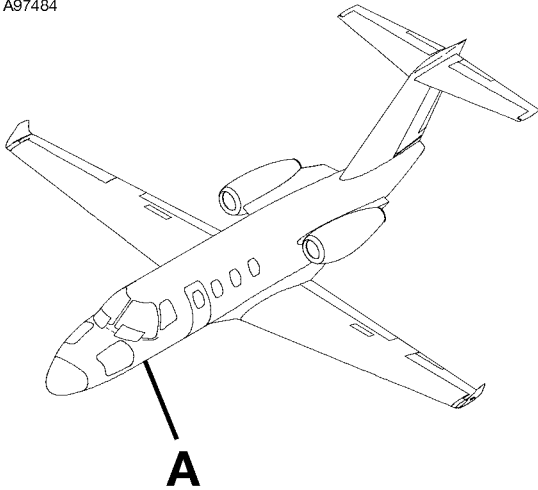
CESSNA®  
**MODEL 525 (SERIALS -0685 AND -0800 AND ON)**  
 ILLUSTRATED PARTS CATALOG

FIG ITEM	PART NUMBER	1 2 3 4 5 6 7	NOMENCLATURE	UNITS PER ASSY		
02						
-			SAMMARINESE EXTERIOR PLACARDS AND MARKINGS - ESCAPE HATCH	0851	& ON	RF R
1	4316002-1		. DECAL-EMERGENCY EXIT (OPEN) . . . . .			01 R
2	4316002-2		. DECAL-EMERGENCY EXIT (PUSH) . . . . .			01 R

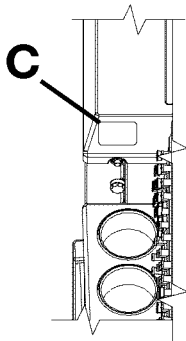
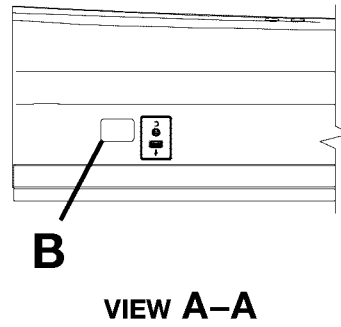
- ITEM NOT ILLUSTRATED

CESSNA®  
**MODEL 525 (SERIALS -0685 AND -0800 AND ON)**  
 ILLUSTRATED PARTS CATALOG

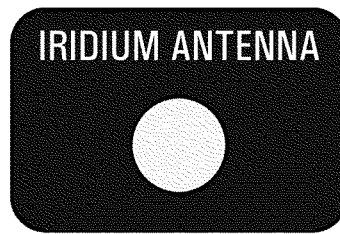
A97484



**2**  
**DETAIL C**



**VIEW B-B**  
 View Looking at Left Hand Side Console



**1**  
**DETAIL B**

6310T1168  
 A6310T1168  
 AA6310T1183  
 BB6310T1184

SAMMARINESE INTERIOR PLACARDS AND MARKINGS - LH CONSOLE  
 FIGURE 04 (SHEET 1)



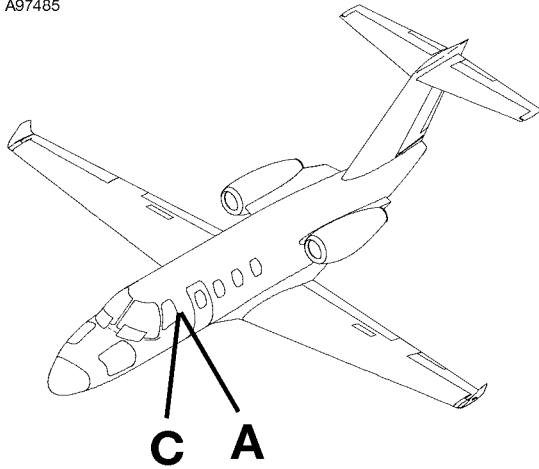
CESSNA®  
**MODEL 525 (SERIALS -0685 AND -0800 AND ON)**  
 ILLUSTRATED PARTS CATALOG

FIG ITEM	PART NUMBER	NOMENCLATURE	UNITS PER ASSY	
			1 2 3 4 5 6 7	
04				
-		SAMMARINESE INTERIOR PLACARDS AND MARKINGS - LH CONSOLE	0851	& ON RF R
1	4316002-35	. PLACARD-IRIDIUM ANTENNA . . . . .		01 R
2	4316002-38	. PLACARD-MAP LIGHT . . . . .		02 R

- ITEM NOT ILLUSTRATED

CESSNA®  
**MODEL 525 (SERIALS -0685 AND -0800 AND ON)**  
 ILLUSTRATED PARTS CATALOG

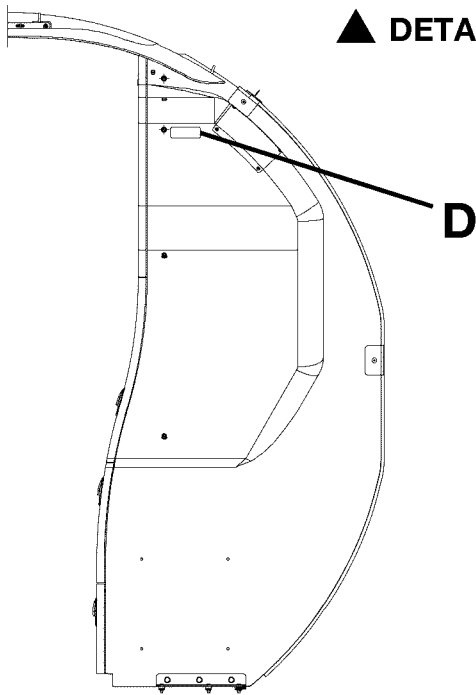
A97485



STOW CURTAIN FOR  
 TAXI, TAKEOFF, AND LANDING.

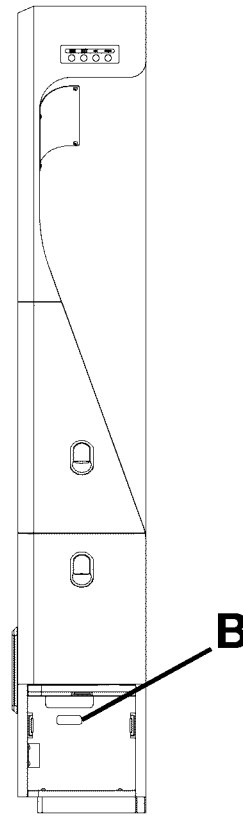
2

▲ **DETAIL D**



**DETAIL C**

Looking Aft at Left Hand Cabinet Assembly



**DETAIL A**

**CABIN BRIEFER  
 PROGRAM LOAD PORT**

1

**DETAIL B**

▲ Required for Dispatch

6310T1168  
 A471T1953  
 C471T1953

SAMMARINESE INTERIOR PLACARDS AND MARKINGS - FLIGHT COMPARTMENT  
 FIGURE 05 (SHEET 1)

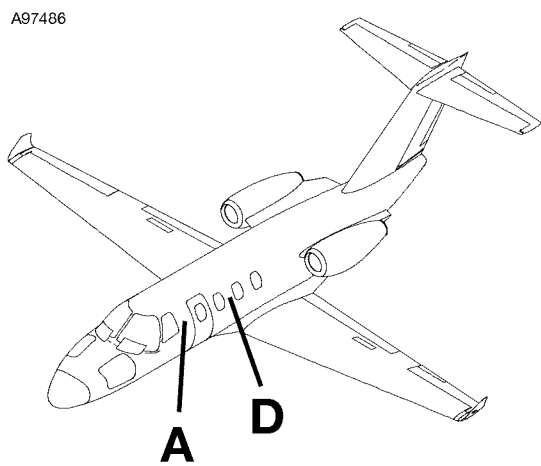
CESSNA®  
**MODEL 525 (SERIALS -0685 AND -0800 AND ON)**  
 ILLUSTRATED PARTS CATALOG

FIG ITEM	PART NUMBER	NOMENCLATURE							UNITS PER ASSY		
		1	2	3	4	5	6	7			
05		SAMMARINESE INTERIOR PLACARDS AND MARKINGS - FLIGHT							0851	& ON	RF R
-		COMPARTMENT									
1	4316002-40	. PLACARD-CABIN BRIEFER PORT . . . . .									01 R
2	4316002-8	. PLACARD-CURTAIN STOWAGE . . . . .									01 R

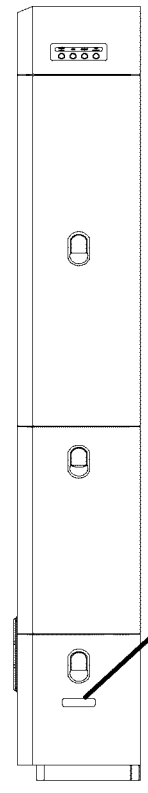
- ITEM NOT ILLUSTRATED

CESSNA®  
**MODEL 525 (SERIALS -0685 AND -0800 AND ON)**  
 ILLUSTRATED PARTS CATALOG

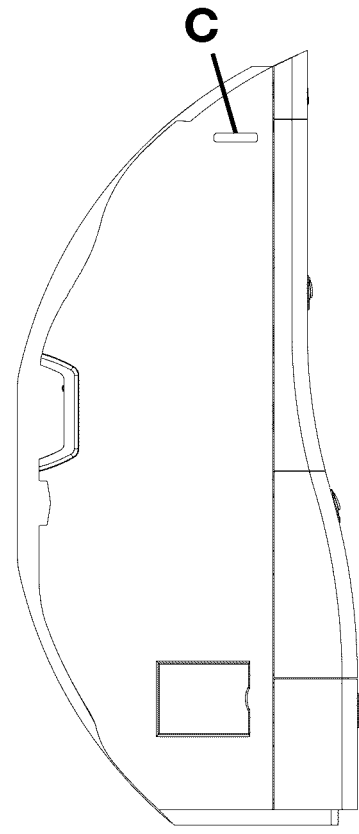
A97486



**A**



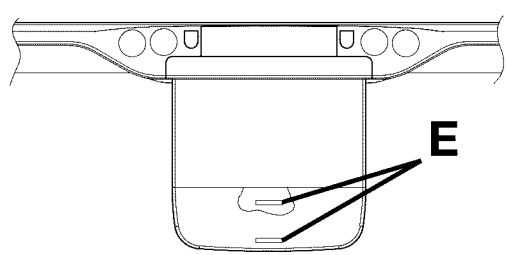
**DETAIL A**



**VIEW A-A**

**STOW FOR TAXI, TAKEOFF, AND LANDING.**

**3**  
**▲ DETAIL E**



**DETAIL D**

Looking Down on Right Hand Side Deployed Table,  
 Left Hand Side Opposite

**CLOSE ALL CABINET DOORS AND DRAWERS  
 FOR TAXI, TAKEOFF, AND LANDING.**

**2**  
**▲ DETAIL C**

**NO CIGARETTE DISPOSAL;  
 METAL TRASH LINER REQUIRED.**

**1**  
**▲ DETAIL B**

**▲ Required for Dispatch**

6310T1168  
 A6320T1021  
 AA6320T1021  
 D6320T1021

SAMMARINESE INTERIOR PLACARDS AND MARKINGS - FORWARD CABIN  
 FIGURE 01 (SHEET 1)

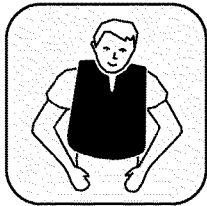
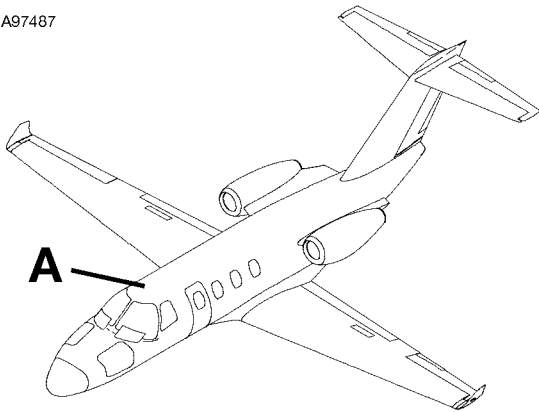
CESSNA®  
**MODEL 525 (SERIALS -0685 AND -0800 AND ON)**  
 ILLUSTRATED PARTS CATALOG

FIG ITEM	PART NUMBER	NOMENCLATURE	UNITS PER ASSY		
			1	2	3
01					
-		SAMMARINESE INTERIOR PLACARDS AND MARKINGS - FORWARD CABIN	0851	& ON	RF R
1	4316002-20	. PLACARD-TRASH CONTAINER . . . . .			01 R
2	4316002-23	. PLACARD-CABINET DOOR INSTRUCTIONS . . . . .			01 R
3	4316002-200	. PLACARD-TABLE INSTRUCTIONS . . . . .			04 R

- ITEM NOT ILLUSTRATED

CESSNA®  
**MODEL 525 (SERIALS -0685 AND -0800 AND ON)**  
 ILLUSTRATED PARTS CATALOG

A97487



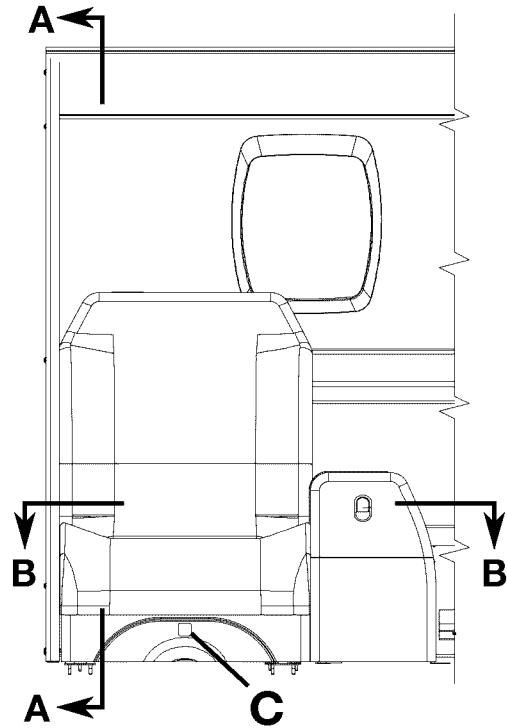
79

▲ **DETAIL C**



77

▲ **DETAIL D**



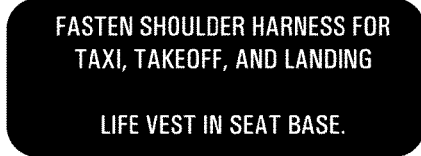
**DETAIL A**

Looking Outboard at Side Facing Seat



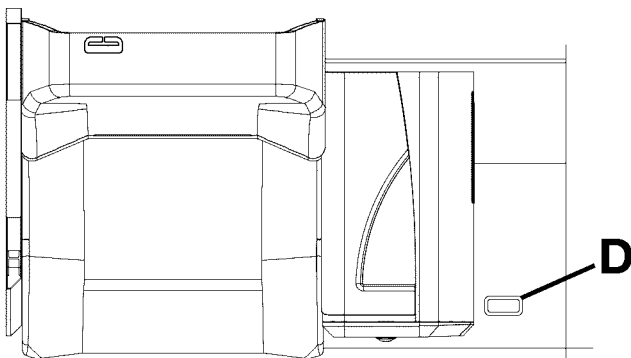
76

▲ **DETAIL B**

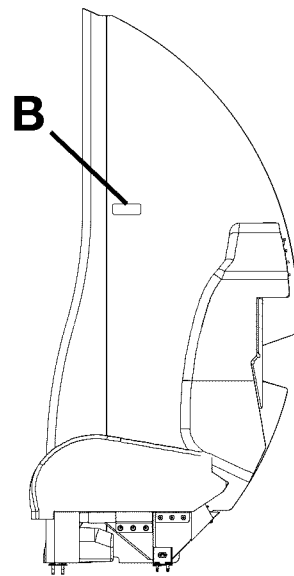


75

▲ **DETAIL B**



**VIEW B-B**



**VIEW A-A**

▲ Required for Dispatch

SAMMARINESE INTERIOR PLACARDS AND MARKINGS - FORWARD CABIN  
 FIGURE 01 (SHEET 2)

6310T1168  
 A6320T1021  
 AA6320T1021  
 BB6320T1021

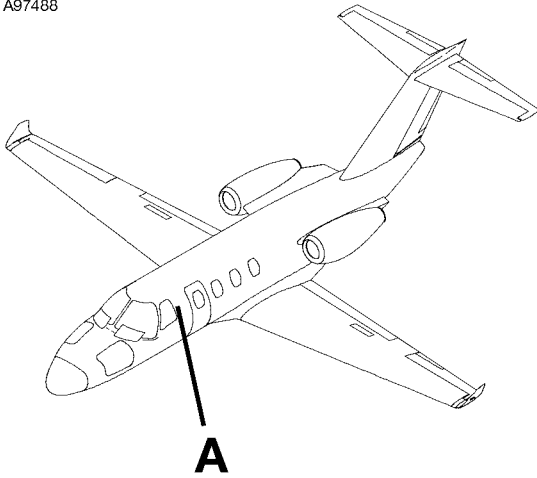
CESSNA®  
**MODEL 525 (SERIALS -0685 AND -0800 AND ON)**  
 ILLUSTRATED PARTS CATALOG

FIG ITEM	PART NUMBER	NOMENCLATURE	UNITS
			PER ASSY
01			
75	4316002-21	. PLACARD-SIDE FACING SEAT INSTRUCTIONS . . . . .	01 R
76	4316002-44	. PLACARD-SIDE FACING SEAT INSTRUCTIONS W/O ARMREST . . . . .	01 R
77	4316002-24	. PLACARD-AIR INLET . . . . .	01 R
- 78	4717018-3	. PLACARD-COVER . . . . .	01 R
79	4316002-32	. PLACARD-LIFE VEST . . . . .	01 R

- ITEM NOT ILLUSTRATED

CESSNA®  
MODEL 525 (SERIALS -0685 AND -0800 AND ON)  
ILLUSTRATED PARTS CATALOG

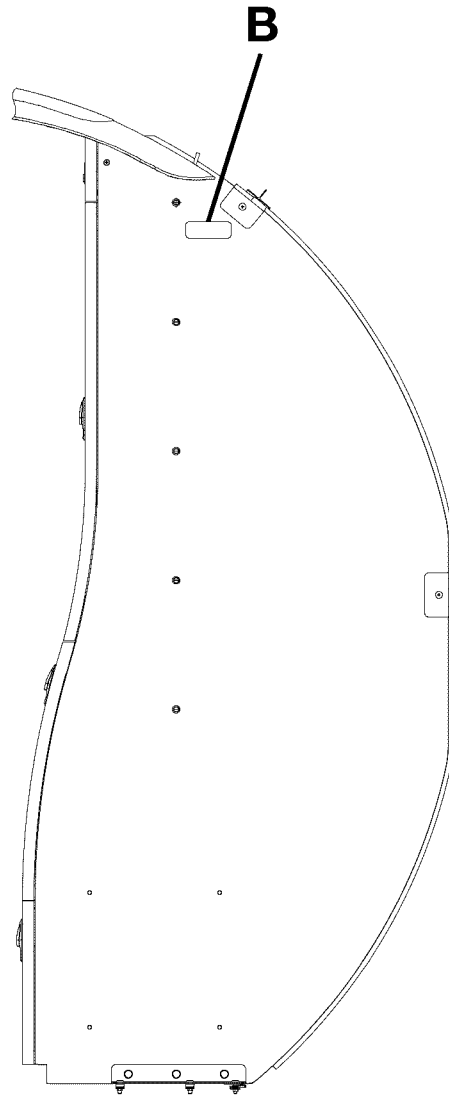
A97488



STOW CURTAIN FOR  
TAXI, TAKEOFF, AND LANDING.

150

▲ **DETAIL B**



**DETAIL A**

View Looking Aft at Left Hand Side  
Forward Refreshment Center

▲ Required for Dispatch

SAMMARINESE INTERIOR PLACARDS AND MARKINGS - FORWARD CABIN  
FIGURE 01 (SHEET 3)

6310T1168  
A4711953-25



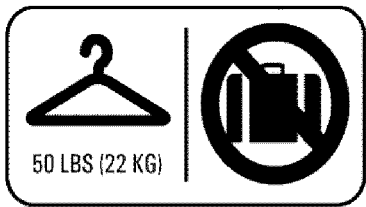
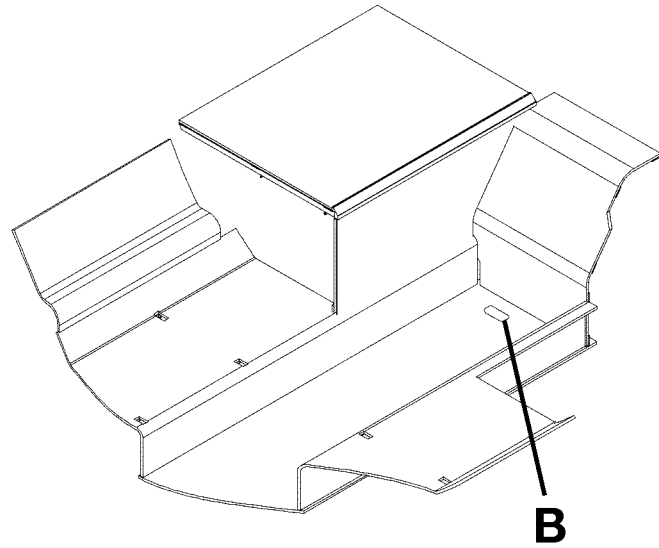
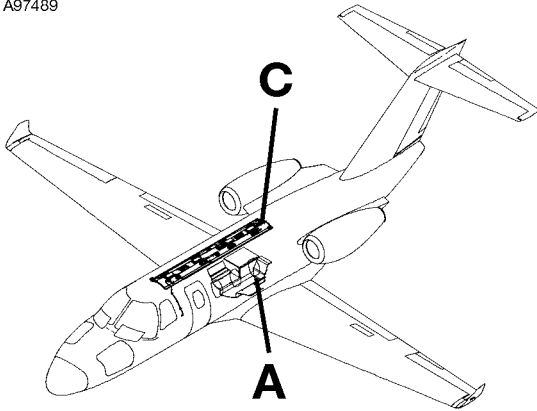
CESSNA®  
**MODEL 525 (SERIALS -0685 AND -0800 AND ON)**  
 ILLUSTRATED PARTS CATALOG

FIG ITEM	PART NUMBER	NOMENCLATURE							UNITS PER ASSY	
		1	2	3	4	5	6	7		
01 150	4316002-8	.							PLACARD-CURTAIN INSTRUCTIONS . . . . .	01 R

- ITEM NOT ILLUSTRATED

CESSNA®  
**MODEL 525 (SERIALS -0685 AND -0800 AND ON)**  
 ILLUSTRATED PARTS CATALOG

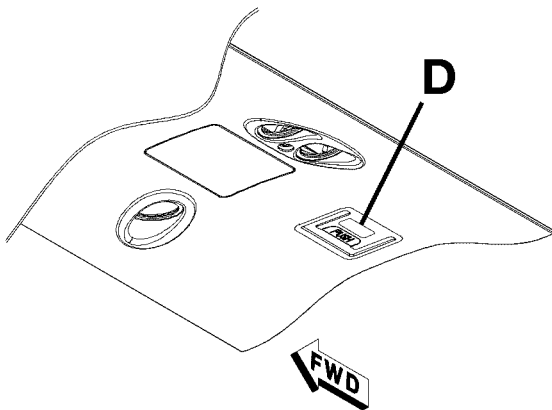
A97489



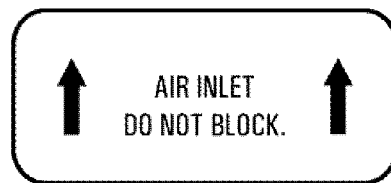
3

▲ **DETAIL D**

**DETAIL A**



**DETAIL C**



1

**DETAIL B**

▲ Required for Dispatch

6310T1168  
 A6312T1217  
 C6312T1218

SAMMARINESE INTERIOR PLACARDS AND MARKINGS - AFT CABIN  
 FIGURE 02 (SHEET 1)

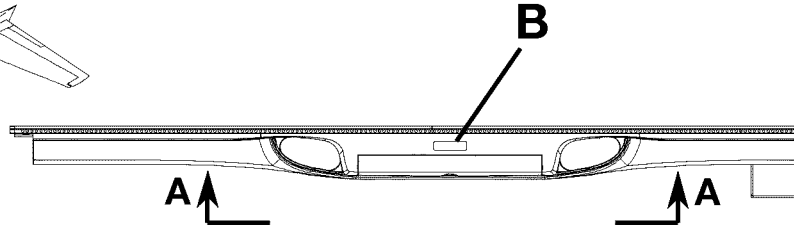
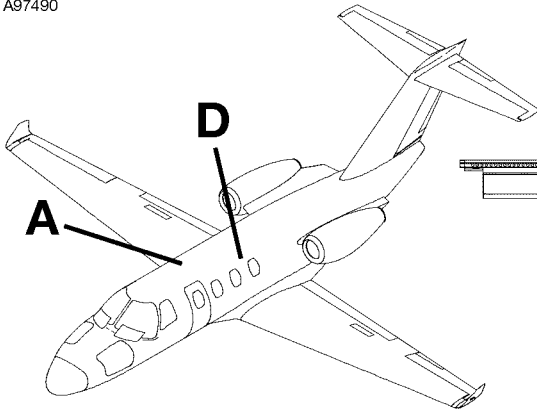
CESSNA®  
**MODEL 525 (SERIALS -0685 AND -0800 AND ON)**  
 ILLUSTRATED PARTS CATALOG

FIG ITEM	PART NUMBER	1 2 3 4 5 6 7	NOMENCLATURE	UNITS PER ASSY		
				0851	& ON	RF R
02			SAMMARINESE INTERIOR PLACARDS AND MARKINGS - AFT CABIN			
-						
1	4316002-24		. PLACARD-AIR INLET . . . . .			01 R
- 2	4717018-3		. PLACARD-COVER . . . . .			01 R
3	4316002-34		. PLACARD-COAT ROD . . . . .			01 R

- ITEM NOT ILLUSTRATED

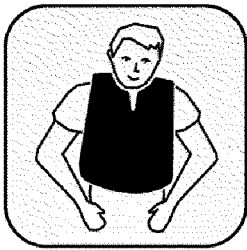
CESSNA®  
**MODEL 525 (SERIALS -0685 AND -0800 AND ON)**  
 ILLUSTRATED PARTS CATALOG

A97490



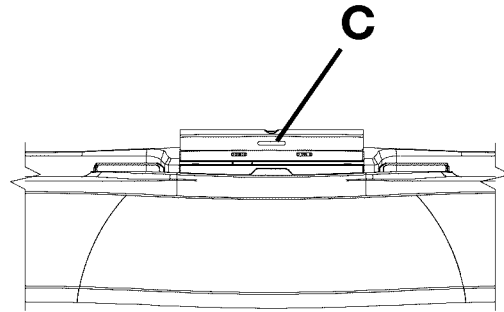
**DETAIL A**

Looking Down on Right Hand Sideledge



3

▲ **DETAIL E**



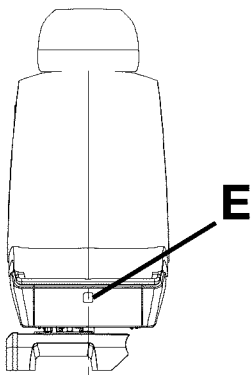
**VIEW A-A**

Table Lid Shown in Upright Position

**FOR TAXI, TAKEOFF, AND LANDING: RAISE SEAT BACK; EXTEND HEADREST; TRACK SEAT TOWARD FRONT OF AIRCRAFT THEN OUTBOARD; FASTEN SHOULDER HARNESS.**

1

▲ **DETAIL B**



**DETAIL D**

**CLOSE LID FOR TAXI, TAKEOFF, AND LANDING.**

2

▲ **DETAIL C**

▲ Required for Dispatch

6310T1168  
 A6319T1647  
 AA6319T1647  
 D6319T1648

SAMMARINESE INTERIOR PLACARDS AND MARKINGS - CABIN SEATS  
 FIGURE 04 (SHEET 1)

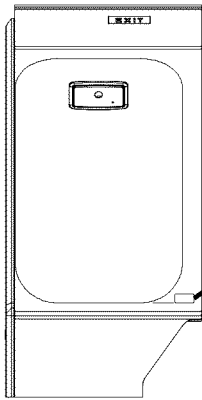
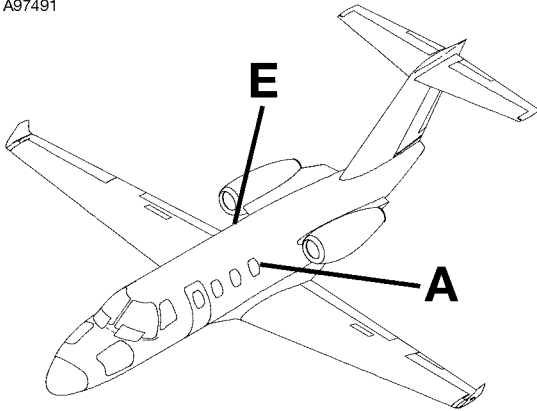
CESSNA®  
**MODEL 525 (SERIALS -0685 AND -0800 AND ON)**  
 ILLUSTRATED PARTS CATALOG

FIG ITEM	PART NUMBER	NOMENCLATURE	UNITS PER ASSY		
			1	2	3
04					
-		SAMMARINESE INTERIOR PLACARDS AND MARKINGS - CABIN SEATS	0815	& ON	RF R
1	4316002-46	. PLACARD-SEAT INSTRUCTIONS . . . . .			02 R
- 1A	4316002-47	. PLACARD-SEAT INSTRUCTIONS OPTIONAL . . . . .			02 R
2	4316002-28	. PLACARD-TABLE LID INSTRUCTIONS . . . . .			02 R
3	4316002-32	. PLACARD-LIFEVEST . . . . .			04 R

- ITEM NOT ILLUSTRATED

CESSNA®  
**MODEL 525 (SERIALS -0685 AND -0800 AND ON)**  
 ILLUSTRATED PARTS CATALOG

A97491

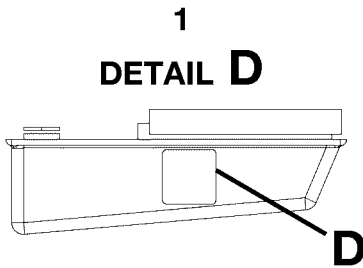


**DETAIL E**  
 View Looking Outboard

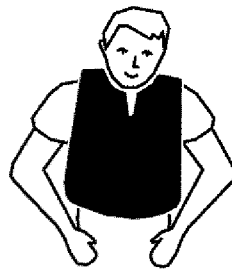


4  
 ▲ **DETAIL F**

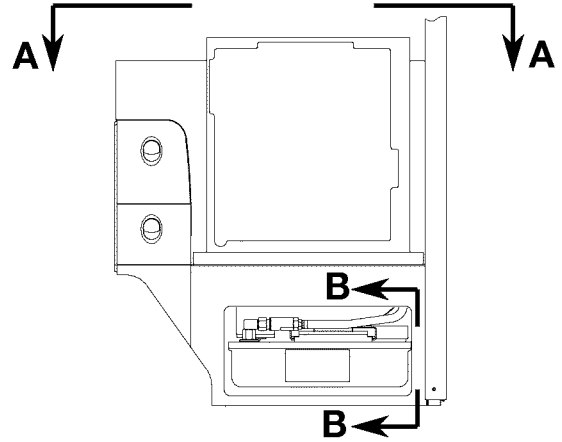
TOILET CHEMICAL  
 IS CORROSIVE.  
 USE EXTREME CARE  
 TO PREVENT SPILLAGE.  
 FOLLOW SERVICING  
 INSTRUCTIONS CAREFULLY.  
 CLEAN ANY SPILLAGE  
 IMMEDIATELY AND  
 REPORT IT TO THE CREW.



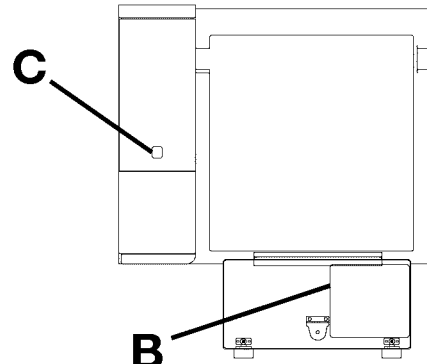
**VIEW B-B**



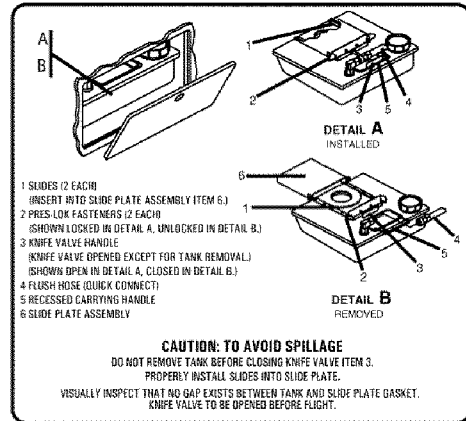
3  
 ▲ **DETAIL C**



**DETAIL A**  
 View Looking Outboard



**VIEW A-A**



2  
**DETAIL B**

6310T1168  
 A6319T1360  
 AA6319T1361  
 BB6319T1360  
 E6314T1662

▲ Required for Dispatch

SAMMARINESE INTERIOR PLACARDS AND MARKINGS - LAVATORY  
 FIGURE 01 (SHEET 1)

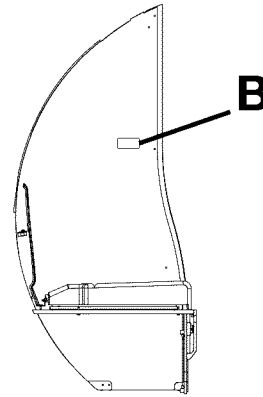
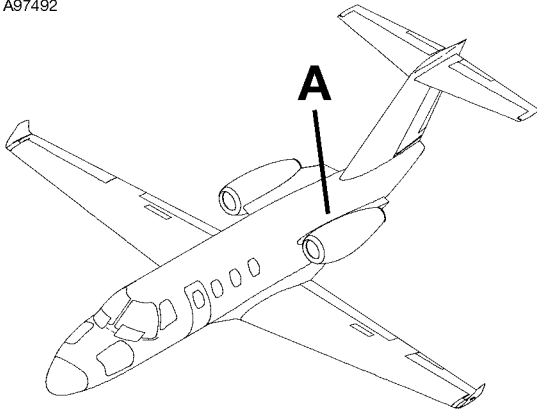
CESSNA®  
**MODEL 525 (SERIALS -0685 AND -0800 AND ON)**  
 ILLUSTRATED PARTS CATALOG

FIG ITEM	PART NUMBER	NOMENCLATURE	UNITS	
			PER	ASSY
01				
-		SAMMARINESE INTERIOR PLACARDS AND MARKINGS - LAVATORY	0851	& ON RF R
1	4316002-30	. PLACARD-TOILET CARE . . . . .		01 R
2	4316002-36	. PLACARD-TOILET SERVICING . . . . .		01 R
3	4316002-32	. PLACARD-LIFEVEST . . . . .		01 R
4	4316002-33	. PLACARD-NO SMOKING . . . . .		01 R

- ITEM NOT ILLUSTRATED

CESSNA®  
**MODEL 525 (SERIALS -0685 AND -0800 AND ON)**  
ILLUSTRATED PARTS CATALOG

A97492



**DETAIL A**

View Looking Forward at Left Hand Side  
Toilet Assembly and Left Hand Side Aft Divider

FOR TAXI, TAKEOFF, AND LANDING:  
LATCH SLIDING DOOR OPEN;  
CLOSE ALL CABINET DOORS AND DRAWERS;  
FASTEN SHOULDER HARNESS.

LIFE VEST IN SEAT CABINET.

75

▲ **DETAIL B**

FOR TAXI, TAKEOFF, AND LANDING:  
STOW CURTAIN;  
CLOSE ALL CABINET DOORS AND DRAWERS;  
FASTEN SHOULDER HARNESS.

77

▲ **DETAIL B**

FOR TAXI, TAKEOFF, AND LANDING:  
LATCH SLIDING DOOR OPEN;  
CLOSE ALL CABINET DOORS AND DRAWERS;  
FASTEN SHOULDER HARNESS.

76

▲ **DETAIL B**

▲ Required for Dispatch

6310T1168  
A6319T1650

SAMMARINESE INTERIOR PLACARDS AND MARKINGS - LAVATORY  
FIGURE 01 (SHEET 2)



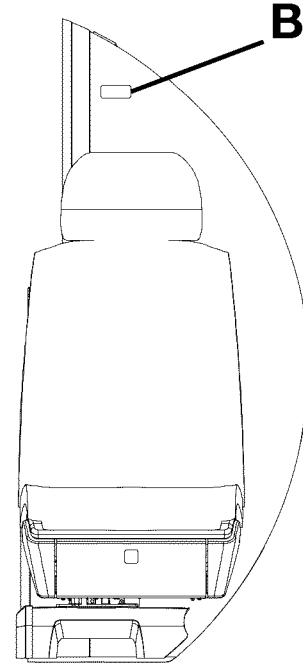
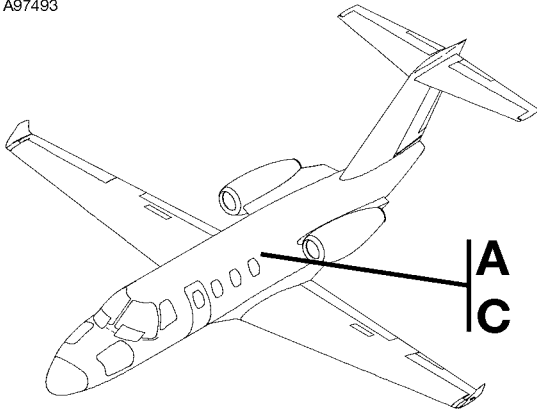
CESSNA®  
**MODEL 525 (SERIALS -0685 AND -0800 AND ON)**  
 ILLUSTRATED PARTS CATALOG

FIG ITEM	PART NUMBER	NOMENCLATURE	1 2 3 4 5 6 7							UNITS PER ASSY
01										
75	4316002-42	. PLACARD-LH BELTED TOILET INSTRUCTIONS (DOOR) . . . . .								01 R
76	4316002-43	. PLACARD-LH BELTED TOILET INSTRUCTIONS (DOOR) W/O LIFE VEST . . . . .								01 R
77	4316002-45	. PLACARD-LH BELTED TOILET INSTRUCTIONS (CURTAIN) . . . . .								01 R

- ITEM NOT ILLUSTRATED

CESSNA®  
**MODEL 525 (SERIALS -0685 AND -0800 AND ON)**  
 ILLUSTRATED PARTS CATALOG

A97493

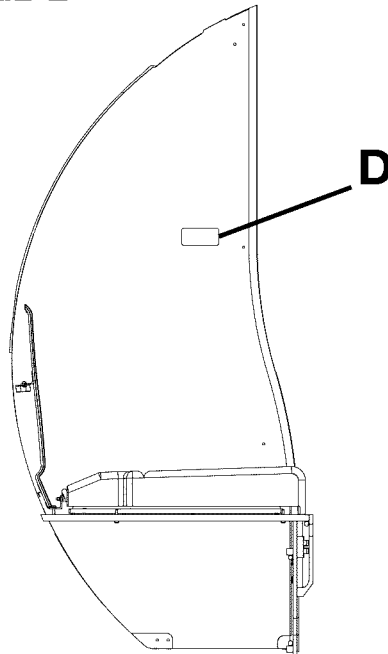


**FOR TAXI, TAKEOFF, AND LANDING:  
 STOW CURTAIN;  
 CLOSE ALL CABINET DOORS AND DRAWERS;  
 FASTEN SHOULDER HARNESS.  
 LIFE VEST IN SEAT CABINET.**

**3**

**▲ DETAIL D**

**DETAIL A**  
 Looking Aft



**NO SMOKING IN LAVATORY.  
 STOW CURTAIN  
 FOR TAXI, TAKEOFF, AND LANDING.**

**1**

**▲ DETAIL B**

**NO SMOKING IN LAVATORY.  
 LATCH SLIDING DOOR OPEN  
 FOR TAXI, TAKEOFF, AND LANDING.**

**2**

**▲ DETAIL B**

**DETAIL C**

Looking Forward

**▲ Required for Dispatch**

**SAMMARINESE INTERIOR PLACARDS AND MARKINGS - DIVIDERS  
 FIGURE 02 (SHEET 1)**

6310T1168  
 A6319T1649  
 C6319T1650

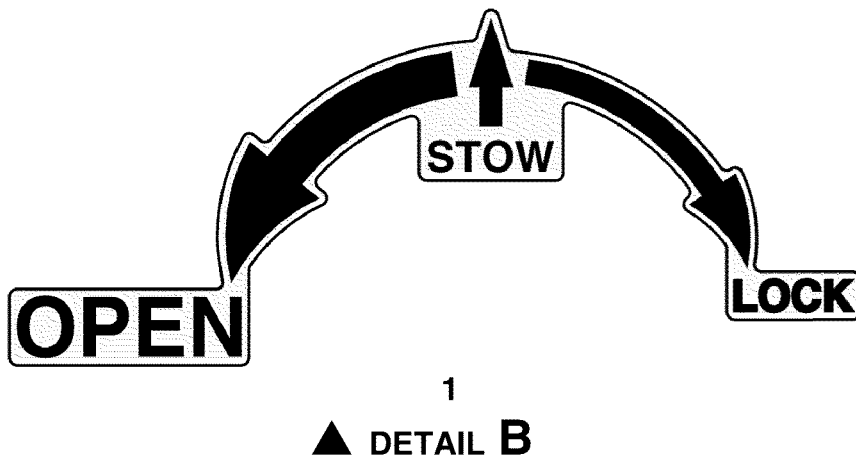
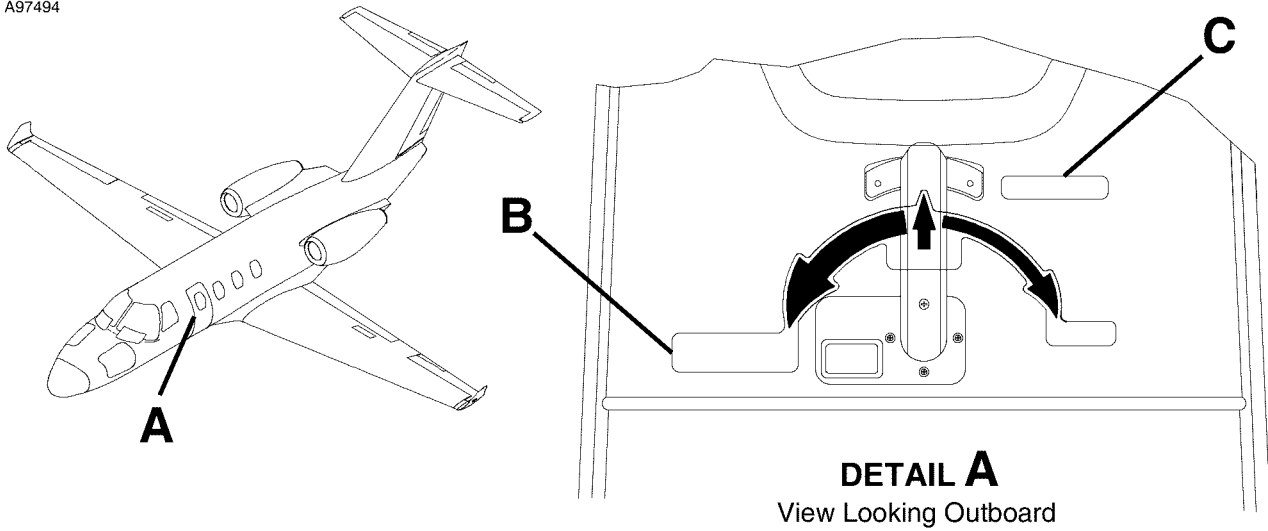
CESSNA®  
**MODEL 525 (SERIALS -0685 AND -0800 AND ON)**  
 ILLUSTRATED PARTS CATALOG

FIG ITEM	PART NUMBER	1 2 3 4 5 6 7	NOMENCLATURE	UNITS PER ASSY
02				
-			SAMMARINESE INTERIOR PLACARDS AND MARKINGS - DIVIDERS	0851 & ON RF R
1	4316002-25		. PLACARD-AFT CABIN INSTRUCTIONS . . . . .	01 R
2	4316002-41		. PLACARD-AFT CABIN INSTRUCTIONS (DOOR) . . . . .	01 R
3	4316002-29		. PLACARD-AFT CABIN INSTRUCTIONS . . . . .	01 R

- ITEM NOT ILLUSTRATED

CESSNA®  
MODEL 525 (SERIALS -0685 AND -0800 AND ON)  
ILLUSTRATED PARTS CATALOG

A97494



**TO RELEASE: PUSH BUTTON,  
PULL TRIGGER ON HANDLE.**

2  
▲ **DETAIL C**

▲ Required for Dispatch

6310T1168  
A6319T1645

SAMMARINESE INTERIOR PLACARDS AND MARKINGS - CABIN DOOR  
FIGURE 01 (SHEET 1)

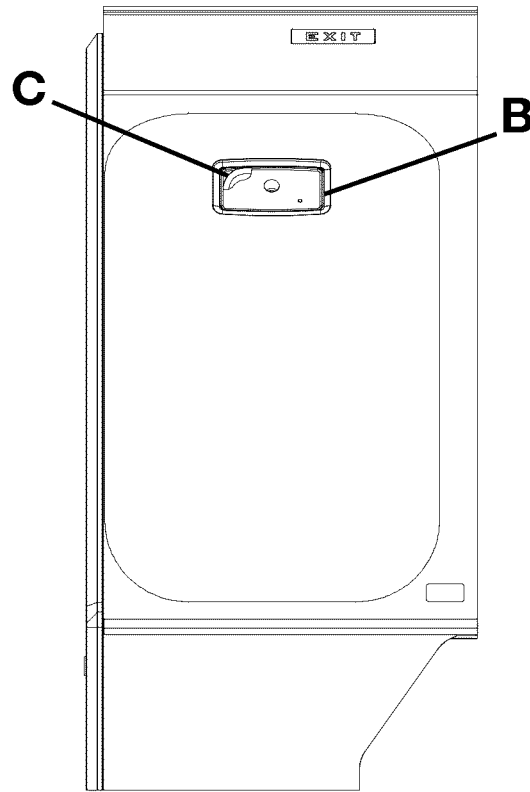
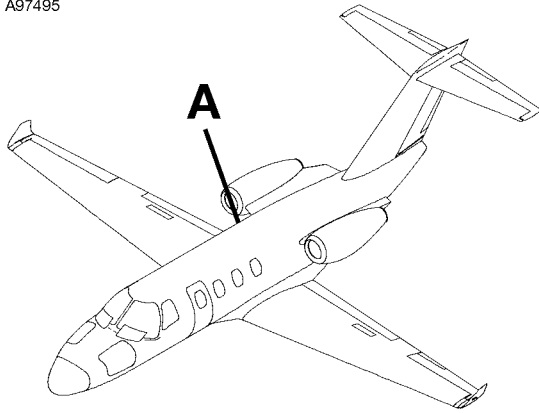
CESSNA®  
**MODEL 525 (SERIALS -0685 AND -0800 AND ON)**  
 ILLUSTRATED PARTS CATALOG

FIG ITEM	PART NUMBER	1 2 3 4 5 6 7	NOMENCLATURE	UNITS PER ASSY		
				0851	& ON	RF
01			SAMMARINESE INTERIOR PLACARDS AND MARKINGS - CABIN DOOR			
-			. DECAL-HANDLE OPERATION . . . . .			01
1	4316002-18		. DECAL-PUSH BUTTON . . . . .			01 R
2	4316002-19					

- ITEM NOT ILLUSTRATED

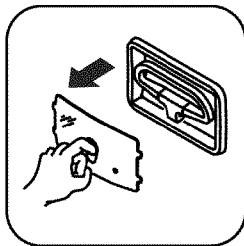
CESSNA®  
**MODEL 525 (SERIALS -0685 AND -0800 AND ON)**  
 ILLUSTRATED PARTS CATALOG

A97495



1

▲ **DETAIL E**



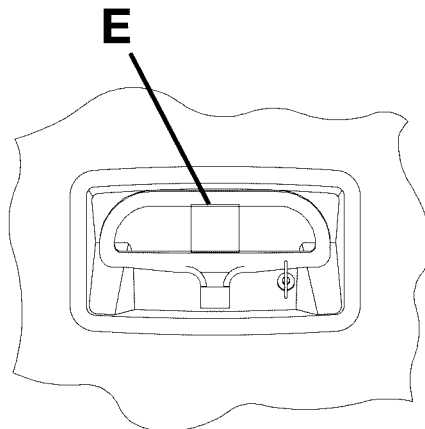
2

▲ **DETAIL D**

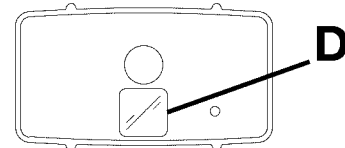
◀ **FWD**

**DETAIL A**

View Looking Outboard



**DETAIL C**



**DETAIL B**

▲ Required for Dispatch

SAMMARINESE INTERIOR PLACARDS AND MARKINGS - ESCAPE HATCH  
 FIGURE 02 (SHEET 1)

6310T1168  
 A6310T1180  
 B6310T1180  
 C6310T1180

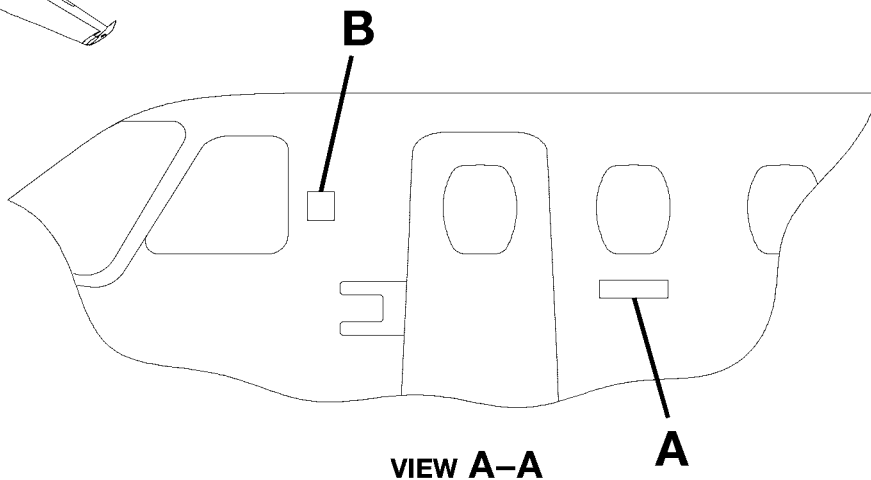
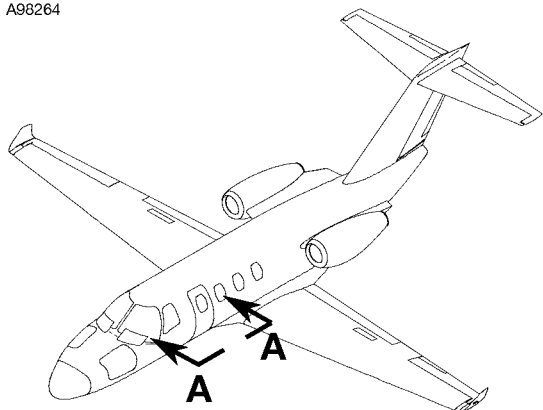
CESSNA®  
**MODEL 525 (SERIALS -0685 AND -0800 AND ON)**  
 ILLUSTRATED PARTS CATALOG

FIG ITEM	PART NUMBER	1 2 3 4 5 6 7	NOMENCLATURE	UNITS PER ASSY		
02						
-			SAMMARINESE INTERIOR PLACARDS AND MARKINGS - ESCAPE HATCH	0851	& ON	RF R
1	4316002-27		. PLACARD-OPEN . . . . .			01 R
2	4316002-26		. PLACARD-REMOVE COVER . . . . .			01 R

- ITEM NOT ILLUSTRATED

CESSNA®  
MODEL 525 (SERIALS -0685 AND -0800 AND ON)  
ILLUSTRATED PARTS CATALOG

A98264



3  
DETAIL B

CITATION  
M2

1  
DETAIL A

6310T1168  
AA6314T1174

AUSTRALIAN EXTERIOR PLACARDS AND MARKINGS - FUSELAGE  
FIGURE 02 (SHEET 1)



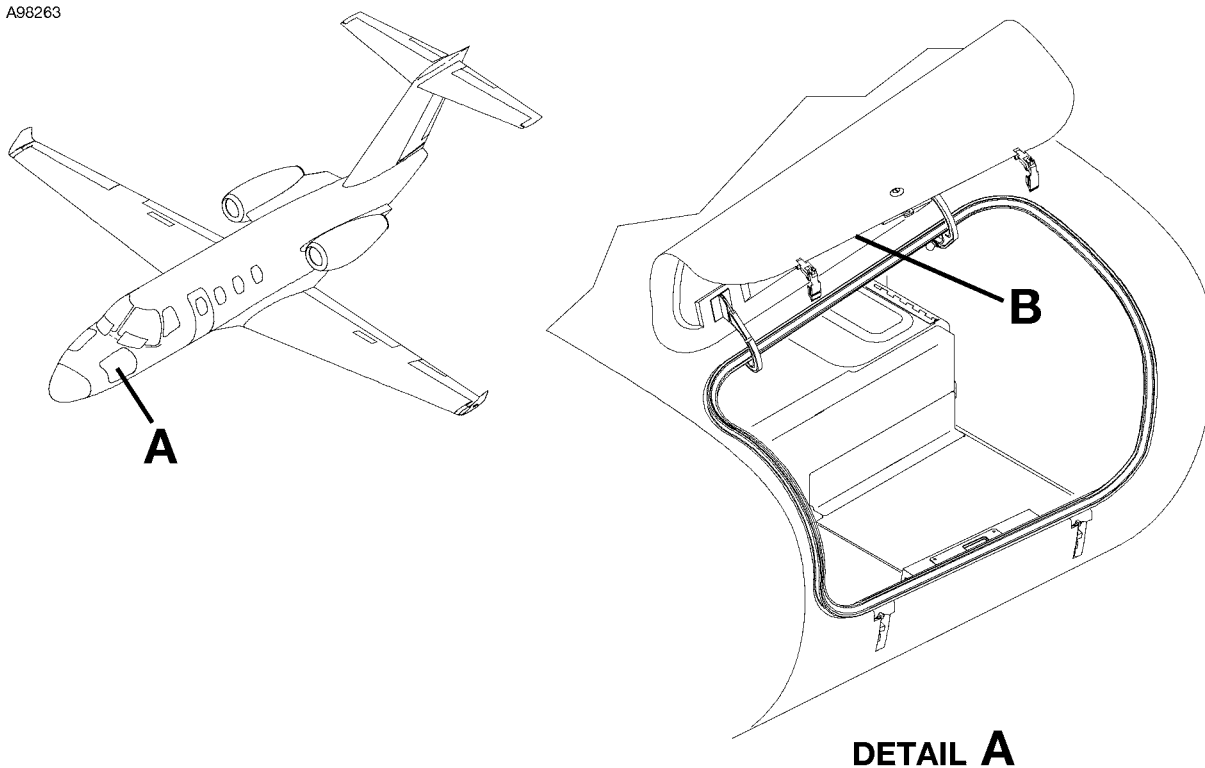
CESSNA®  
**MODEL 525 (SERIALS -0685 AND -0800 AND ON)**  
 ILLUSTRATED PARTS CATALOG

FIG ITEM	PART NUMBER	NOMENCLATURE	UNITS PER ASSY		
			1	2	3
02					
-		AUSTRALIAN EXTERIOR PLACARDS AND MARKINGS - FUSELAGE	0856	& ON	RF R
- 1	4416001-32	. DECAL-M2 INSIGNIA . . . . .			02 R
- 2	4416001-31	. PAINTMASK-M2 INSIGNIA . . . . .			01 R
- 3	6505010-124	. DECAL-CESSNA LOGO . . . . .			02 R
- 4	6505010-123	. PAINTMASK-CESSNA LOGO . . . . .			01 R

- ITEM NOT ILLUSTRATED

CESSNA®  
MODEL 525 (SERIALS -0685 AND -0800 AND ON)  
ILLUSTRATED PARTS CATALOG

A98263



MAXIMUM WEIGHT ALLOWANCE  
400 LBS (181 KG).  
MAXIMUM FLOOR LOADING  
35 LBS/FT<sup>2</sup> (170 KG/M<sup>2</sup>).  
SEE AFM FOR WEIGHT  
AND BALANCE DATA.

1

▲ DETAIL B

▲ Required for Dispatch

AUSTRALIAN EXTERIOR PLACARDS AND MARKINGS - NOSE BAGGAGE  
FIGURE 01 (SHEET 1)

6310T1168  
A6313T1003

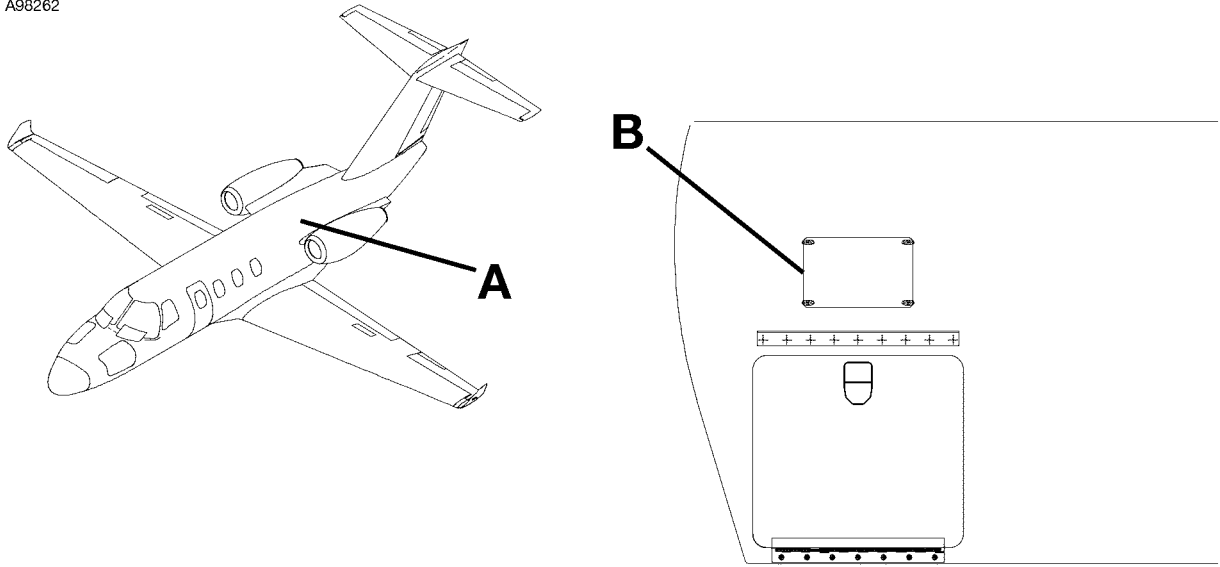
CESSNA®  
**MODEL 525 (SERIALS -0685 AND -0800 AND ON)**  
 ILLUSTRATED PARTS CATALOG

FIG ITEM	PART NUMBER	1 2 3 4 5 6 7	NOMENCLATURE	UNITS PER ASSY		
01			AUSTRALIAN EXTERIOR PLACARDS AND MARKINGS - NOSE BAGGAGE	0856	& ON	RF R
-			. PLACARD-NOSE BAGGAGE WEIGHT . . . . .			02 R
1	4416000-163					

- ITEM NOT ILLUSTRATED

CESSNA®  
**MODEL 525 (SERIALS -0685 AND -0800 AND ON)**  
ILLUSTRATED PARTS CATALOG

A98262



**DETAIL A**

Looking Forward at Left Hand Side Forward Wall

⊕ MAXIMUM WEIGHT ALLOWANCE ⊕  
325 LBS (147 KG).  
MAXIMUM FLOOR LOADING  
100 LBS/FT<sup>2</sup> (488 KG/M<sup>2</sup>).  
SEE AFM FOR WEIGHT AND BALANCE DATA.  
  
SECURE BAGGAGE WITH CARGO NET.  
  
⊕ LATCH ALL DOORS PRIOR TO FLIGHT. ⊕

1

▲ **DETAIL B**

▲ Required for Dispatch

AUSTRALIAN EXTERIOR PLACARDS AND MARKINGS - AFT BAGGAGE  
FIGURE 02 (SHEET 1)

6310T1168  
A6312T1220

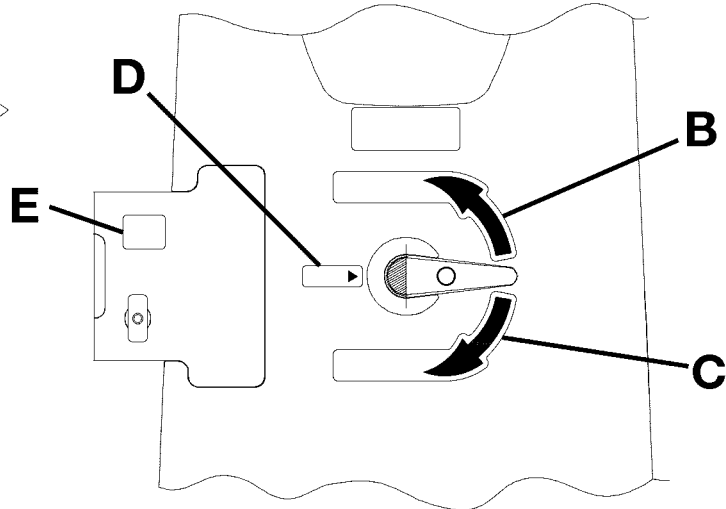
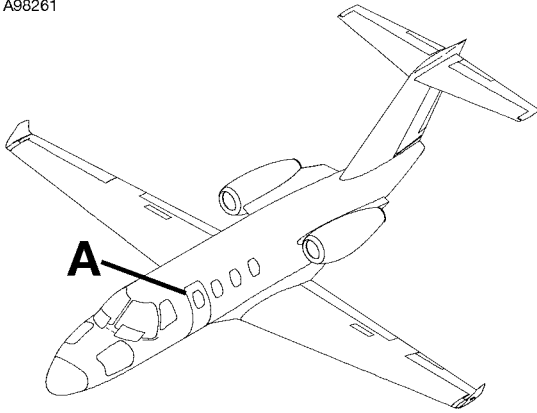
CESSNA®  
**MODEL 525 (SERIALS -0685 AND -0800 AND ON)**  
 ILLUSTRATED PARTS CATALOG

FIG ITEM	PART NUMBER	1 2 3 4 5 6 7	NOMENCLATURE	UNITS PER ASSY		
02						
-			AUSTRALIAN EXTERIOR PLACARDS AND MARKINGS - AFT BAGGAGE	0856	& ON	RF R
1	4416004-58		. PLACARD-MAX BAGGAGE WEIGHT 325LB . . . . .			01 R
			ATTACHING PARTS			
- 2	MS35214-14		. SCREW . . . . .			04 R
- 3	MS21069L04		. NUTPLATE . . . . .			04 R
			—*—			

- ITEM NOT ILLUSTRATED

CESSNA®  
**MODEL 525 (SERIALS -0685 AND -0800 AND ON)**  
 ILLUSTRATED PARTS CATALOG

A98261



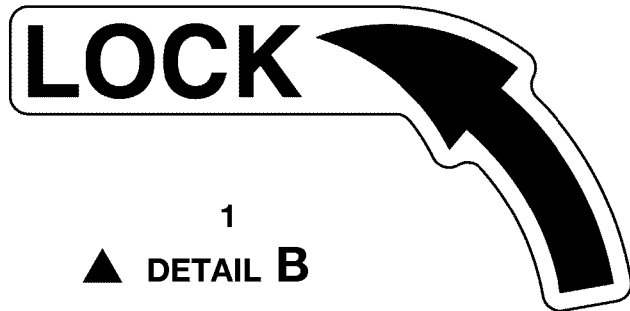
**DETAIL A**

(View Looking Inboard at Entry Door)

**DOOR CATCH  
 RELEASE INSIDE  
 BEHIND THIS  
 PLACARD. RAISE  
 STEPS BEFORE  
 CLOSING DOOR.**

4

**DETAIL E**



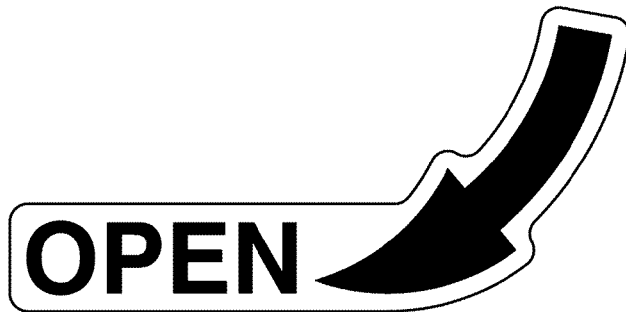
1

▲ **DETAIL B**



3

▲ **DETAIL D**



2

▲ **DETAIL C**

▲ Required for Dispatch

6310T1168  
 A6319T1646

AUSTRALIAN EXTERIOR PLACARDS AND MARKINGS - CABIN DOOR  
 FIGURE 01 (SHEET 1)

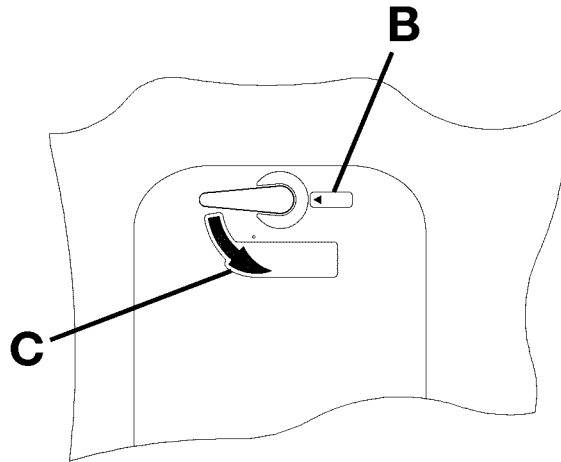
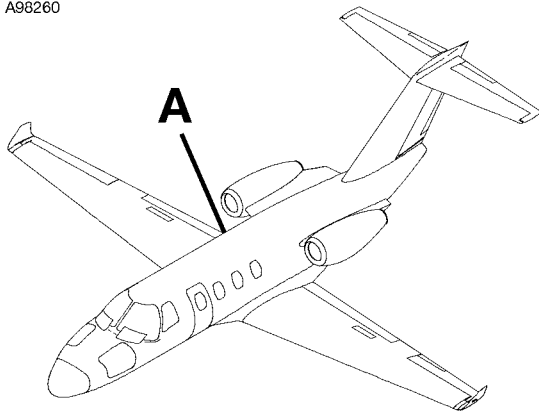
CESSNA®  
**MODEL 525 (SERIALS -0685 AND -0800 AND ON)**  
 ILLUSTRATED PARTS CATALOG

FIG ITEM	PART NUMBER	1 2 3 4 5 6 7	NOMENCLATURE	UNITS PER ASSY		
				0856	& ON	RF R
01			AUSTRALIAN EXTERIOR PLACARDS AND MARKINGS - CABIN DOOR			
-						
1	4316002-16		. DECAL-CABIN DOOR (LOCK) . . . . .			01 R
2	4316002-17		. DECAL-CABIN DOOR (OPEN) . . . . .			01 R
3	4316002-15		. DECAL-CABIN DOOR (PUSH) . . . . .			01 R
4	4416000-172		. PLACARD-CABIN DOOR PRECATCH HANDLE . . . . .			01 R

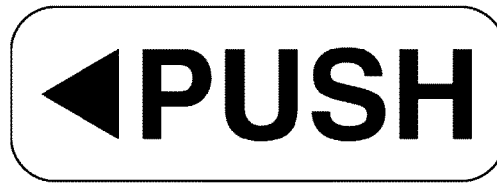
- ITEM NOT ILLUSTRATED

CESSNA®  
MODEL 525 (SERIALS -0685 AND -0800 AND ON)  
ILLUSTRATED PARTS CATALOG

A98260



**DETAIL A**  
Looking Inboard at Escape Hatch



2  
▲ **DETAIL B**



1  
▲ **DETAIL C**

▲ Required for Dispatch

6310T1168  
A4711953-2

AUSTRALIAN EXTERIOR PLACARDS AND MARKINGS - ESCAPE HATCH  
FIGURE 02 (SHEET 1)



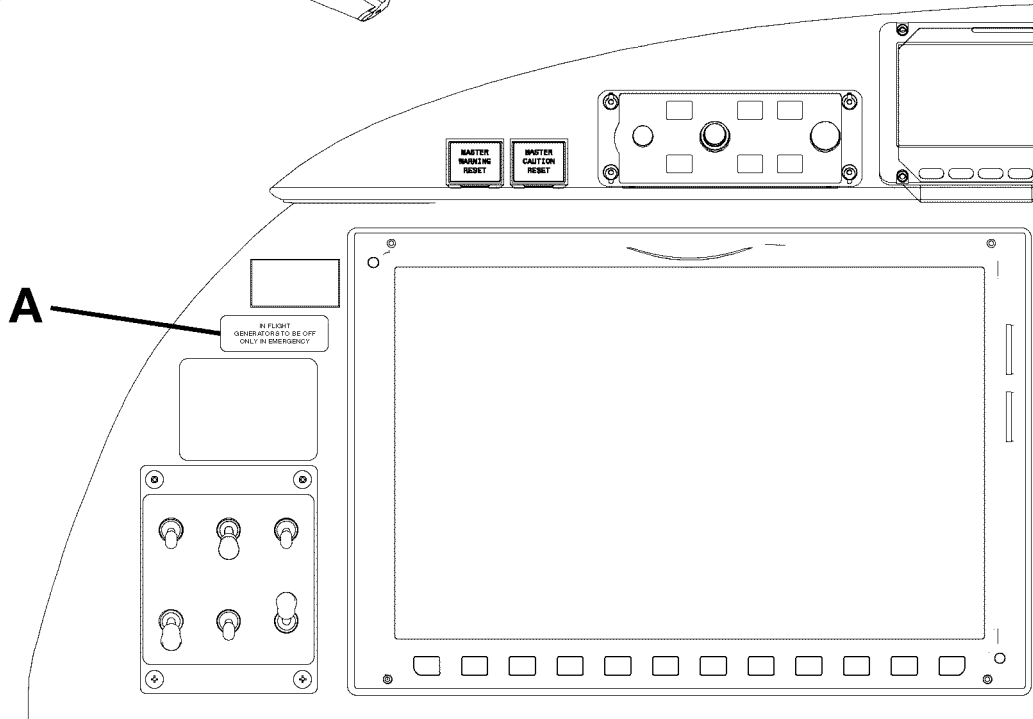
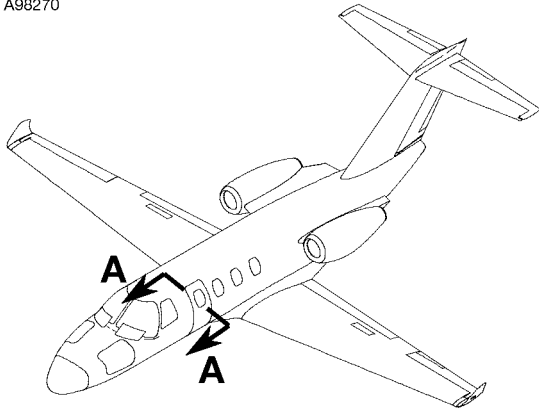
CESSNA®  
**MODEL 525 (SERIALS -0685 AND -0800 AND ON)**  
 ILLUSTRATED PARTS CATALOG

FIG ITEM	PART NUMBER	1 2 3 4 5 6 7	NOMENCLATURE	UNITS PER ASSY		
02			AUSTRALIAN EXTERIOR PLACARDS AND MARKINGS - ESCAPE HATCH	0856	& ON	RF R
-						
1	4316002-1		. DECAL-EMERGENCY EXIT (OPEN) . . . . .			01 R
2	4316002-2		. DECAL-EMERGENCY EXIT (PUSH) . . . . .			01 R

- ITEM NOT ILLUSTRATED

CESSNA®  
MODEL 525 (SERIALS -0685 AND -0800 AND ON)  
ILLUSTRATED PARTS CATALOG

A98270



VIEW A-A

**IN FLIGHT  
GENERATORS TO BE OFF  
ONLY IN EMERGENCY**

**1  
DETAIL A**

AUSTRALIAN INTERIOR PLACARDS AND MARKINGS - INSTRUMENT PANEL  
FIGURE 01 (SHEET 1)

6310T1168  
6397017-5

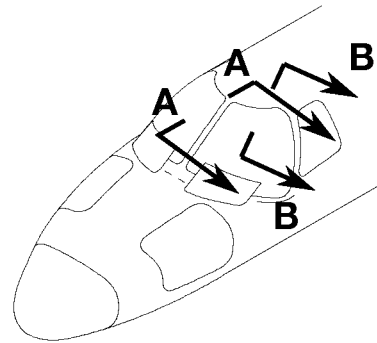
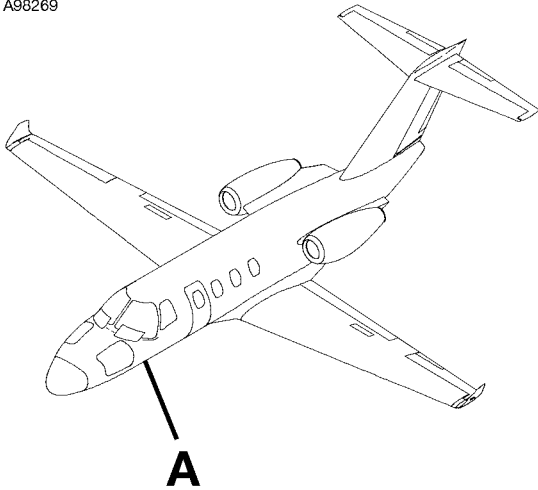
CESSNA®  
**MODEL 525 (SERIALS -0685 AND -0800 AND ON)**  
 ILLUSTRATED PARTS CATALOG

FIG ITEM	PART NUMBER	1 2 3 4 5 6 7	NOMENCLATURE	UNITS PER ASSY		
01						
-			AUSTRALIAN INTERIOR PLACARDS AND MARKINGS - INSTRUMENT PANEL	0856	& ON	RF R
1	S4439-1		. PLACARD-ELECTRICAL . . . . .			01 R

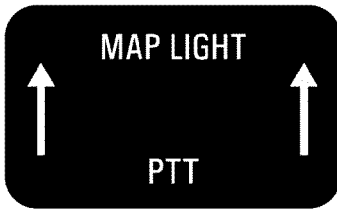
- ITEM NOT ILLUSTRATED

CESSNA®  
**MODEL 525 (SERIALS -0685 AND -0800 AND ON)**  
 ILLUSTRATED PARTS CATALOG

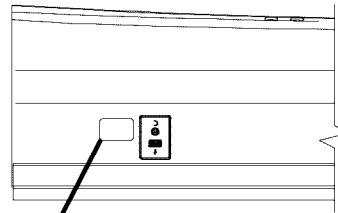
A98269



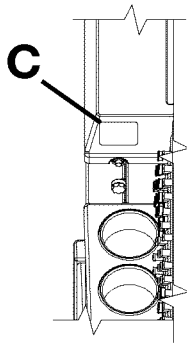
**DETAIL A**



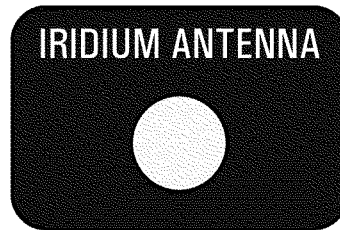
**2**  
**DETAIL C**



**B**  
**VIEW A-A**



**VIEW B-B**  
 View Looking at Left Hand Side Console



**1**  
**DETAIL B**

6310T1168  
 B6310T1168  
 AA6310T1183  
 BB6310T1184

AUSTRALIAN INTERIOR PLACARDS AND MARKINGS - LH CONSOLE  
 FIGURE 04 (SHEET 1)

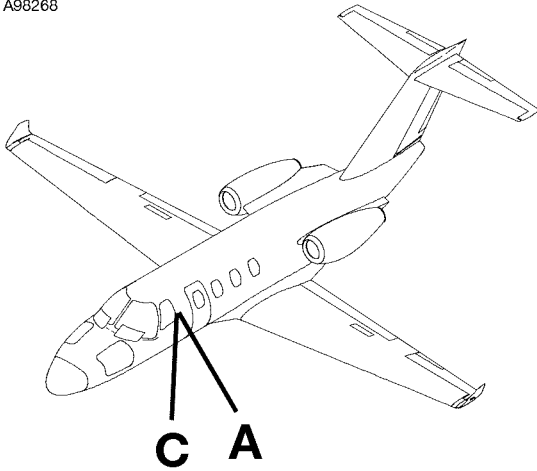
CESSNA®  
**MODEL 525 (SERIALS -0685 AND -0800 AND ON)**  
 ILLUSTRATED PARTS CATALOG

FIG ITEM	PART NUMBER	1 2 3 4 5 6 7	NOMENCLATURE	UNITS PER ASSY		
				0856	& ON	RF R
04			AUSTRALIAN INTERIOR PLACARDS AND MARKINGS - LH CONSOLE			
-			. PLACARD-IRIDIUM ANTENNA . . . . .			01 R
1	4316002-35		. PLACARD-MAP LIGHT . . . . .			02 R
2	4316002-38					

- ITEM NOT ILLUSTRATED

CESSNA®  
**MODEL 525 (SERIALS -0685 AND -0800 AND ON)**  
 ILLUSTRATED PARTS CATALOG

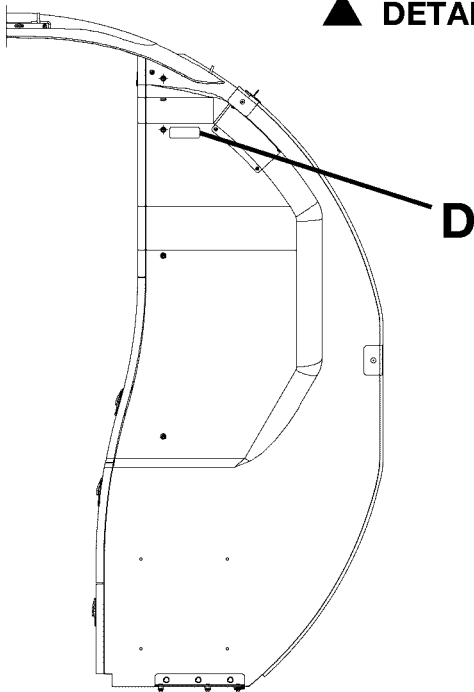
A98268



STOW CURTAIN FOR  
 TAXI, TAKEOFF, AND LANDING.

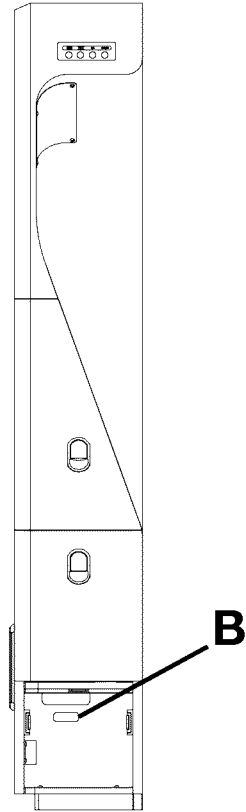
2

▲ **DETAIL D**



**DETAIL C**

Looking Aft at Left Hand Cabinet Assembly



**DETAIL A**

CABIN BRIEFER  
 PROGRAM LOAD PORT

1

**DETAIL B**

▲ Required for Dispatch

AUSTRALIAN INTERIOR PLACARDS AND MARKINGS - FLIGHT COMPARTMENT  
 FIGURE 05 (SHEET 1)

6310T1168  
 A471T1953  
 C471T1953

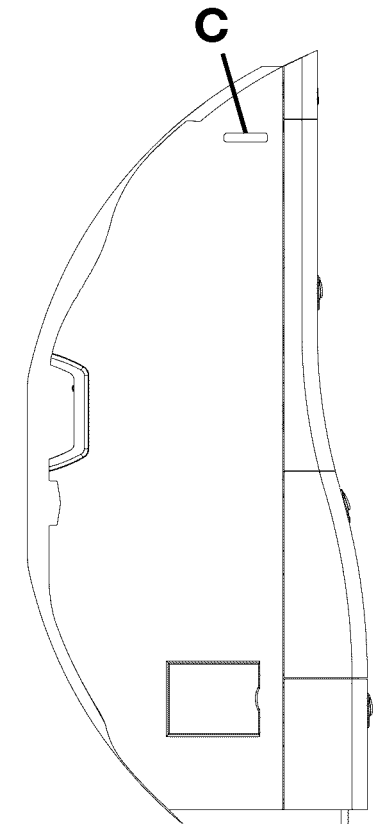
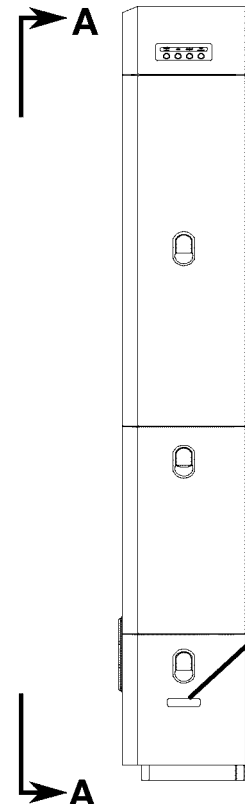
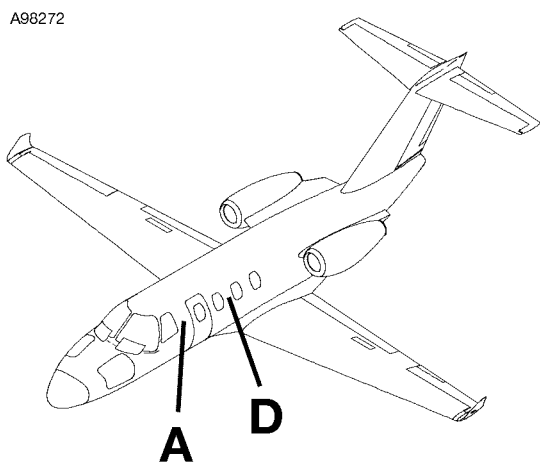
CESSNA®  
**MODEL 525 (SERIALS -0685 AND -0800 AND ON)**  
 ILLUSTRATED PARTS CATALOG

FIG ITEM	PART NUMBER	1 2 3 4 5 6 7	NOMENCLATURE	UNITS PER ASSY		
				0856	& ON	RF R
05			AUSTRALIAN INTERIOR PLACARDS AND MARKINGS - FLIGHT COMPARTMENT			
-				0856	& ON	RF R
1	4316002-40		. PLACARD-CABIN BRIEFER PORT . . . . .			01 R
2	4316002-8		. PLACARD-CURTAIN STOWAGE . . . . .			01 R

- ITEM NOT ILLUSTRATED

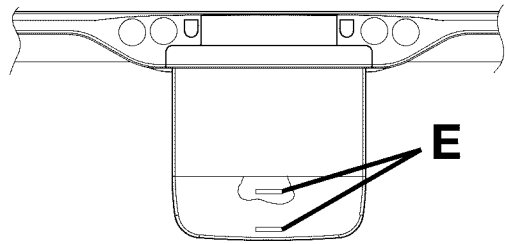
CESSNA®  
**MODEL 525 (SERIALS -0685 AND -0800 AND ON)**  
 ILLUSTRATED PARTS CATALOG

A98272



**STOW FOR TAXI, TAKEOFF, AND LANDING.**

**3**  
 ▲ **DETAIL E**



**DETAIL D**

Looking Down on Right Hand Side Deployed Table,  
 Left Hand Side Opposite

**DETAIL A**

**VIEW A-A**

**CLOSE ALL CABINET DOORS AND DRAWERS  
 FOR TAXI, TAKEOFF, AND LANDING.**

**2**  
 ▲ **DETAIL C**

**NO CIGARETTE DISPOSAL;  
 METAL TRASH LINER REQUIRED.**

**1**  
 ▲ **DETAIL B**

▲ Required for Dispatch

6310T1168  
 A6320T1021  
 AA6320T1021  
 D6320T1021

AUSTRALIAN INTERIOR PLACARDS AND MARKINGS - FORWARD CABIN  
 FIGURE 01 (SHEET 1)



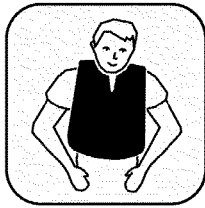
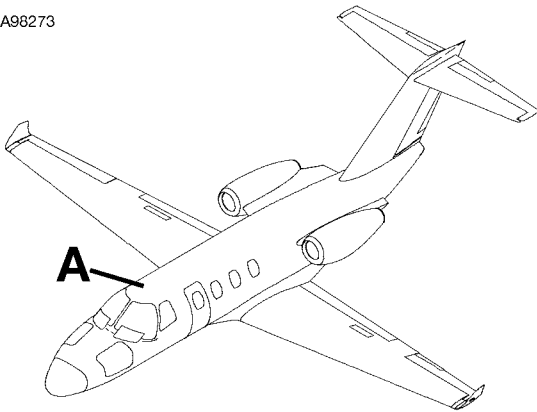
CESSNA®  
**MODEL 525 (SERIALS -0685 AND -0800 AND ON)**  
 ILLUSTRATED PARTS CATALOG

FIG ITEM	PART NUMBER	1 2 3 4 5 6 7	NOMENCLATURE	UNITS PER ASSY
01			AUSTRALIAN INTERIOR PLACARDS AND MARKINGS - FORWARD CABIN	0856 & ON RF R
-				
1	4316002-20		. PLACARD-TRASH CONTAINER . . . . .	01 R
2	4316002-23		. PLACARD-CABINET DOOR INSTRUCTIONS . . . . .	01 R
3	4316002-200		. PLACARD-TABLE INSTRUCTIONS . . . . .	04 R

- ITEM NOT ILLUSTRATED

CESSNA®  
**MODEL 525 (SERIALS -0685 AND -0800 AND ON)**  
 ILLUSTRATED PARTS CATALOG

A98273



79

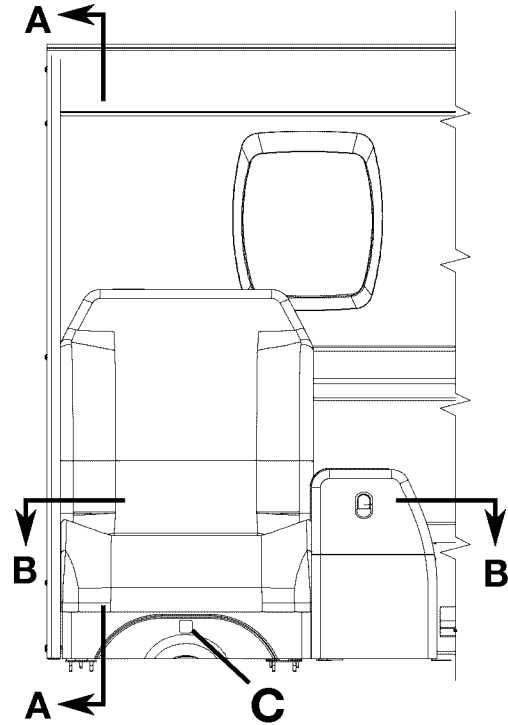
▲ **DETAIL C**

**FASTEN SHOULDER HARNESS FOR TAXI, TAKEOFF, AND LANDING.**



77

**DETAIL D**



**DETAIL A**

Looking Outboard at Side Facing Seat

76

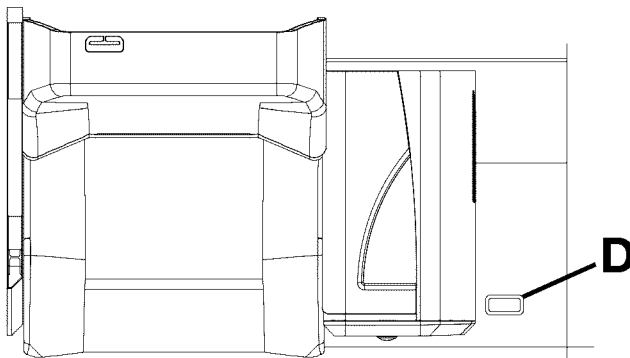
▲ **DETAIL B**

**FASTEN SHOULDER HARNESS FOR TAXI, TAKEOFF, AND LANDING**

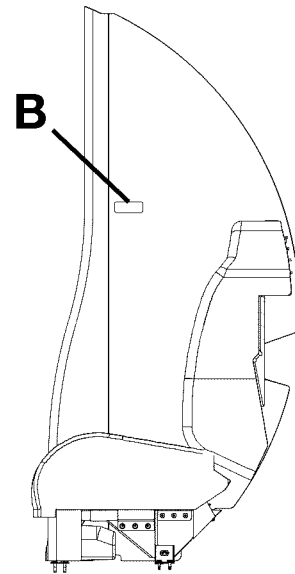
**LIFE VEST IN SEAT BASE.**

75

▲ **DETAIL B**



**VIEW B-B**



**VIEW A-A**

▲ Required for Dispatch

6310T1168  
 A6320T1021  
 AA6320T1021  
 BB6320T1021

AUSTRALIAN INTERIOR PLACARDS AND MARKINGS - FORWARD CABIN  
 FIGURE 01 (SHEET 2)

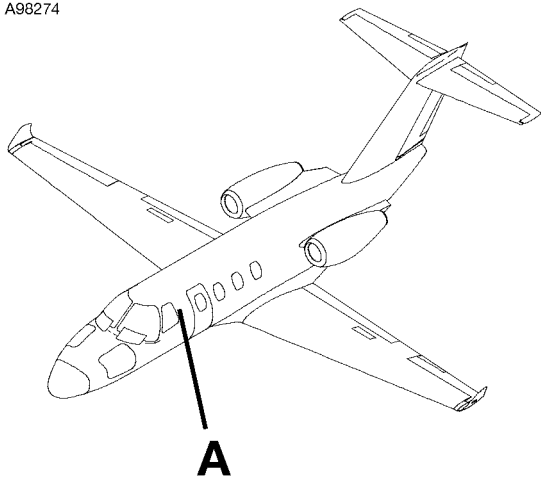
CESSNA®  
**MODEL 525 (SERIALS -0685 AND -0800 AND ON)**  
 ILLUSTRATED PARTS CATALOG

FIG ITEM	PART NUMBER	NOMENCLATURE	UNITS PER ASSY
	1 2 3 4 5 6 7		
01			
75	4316002-21	. PLACARD-SIDE FACING SEAT W/O ARMREST INSTRUCTIONS . . . . .	01 R
76	4316002-44	. PLACARD-SIDE FACING SEAT W/O ARMREST . . . . .	01 R
77	4316002-24	. PLACARD-AIR INLET . . . . .	01 R
- 78	4717018-3	. PLACARD-COVER . . . . .	01 R
79	4316002-32	. PLACARD-LIFE VEST . . . . .	01 R

- ITEM NOT ILLUSTRATED

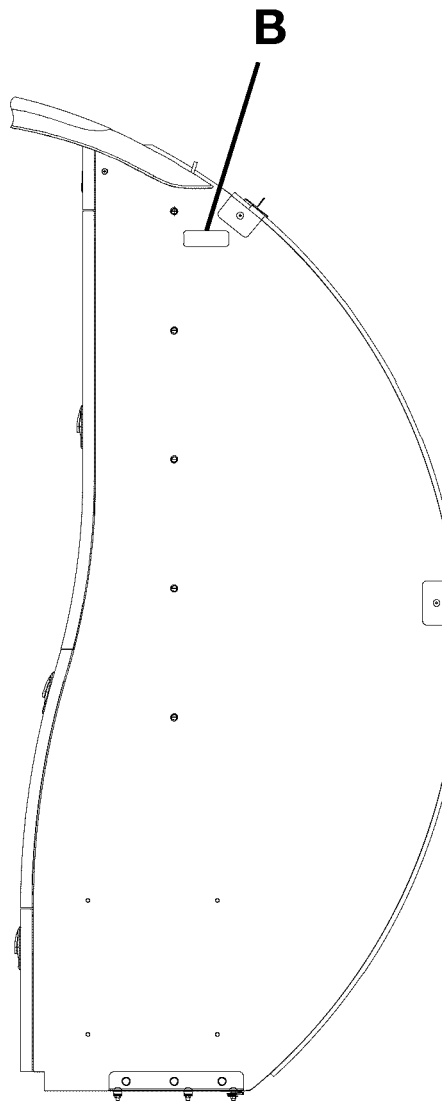
CESSNA®  
MODEL 525 (SERIALS -0685 AND -0800 AND ON)  
ILLUSTRATED PARTS CATALOG

A98274



STOW CURTAIN FOR  
TAXI, TAKEOFF, AND LANDING.

150  
▲ **DETAIL B**



**DETAIL A**  
View Looking Aft at Left Hand Side  
Forward Refreshment Center

▲ Required for Dispatch

AUSTRALIAN INTERIOR PLACARDS AND MARKINGS - FORWARD CABIN  
FIGURE 01 (SHEET 3)

6310T1168  
A4711953-25

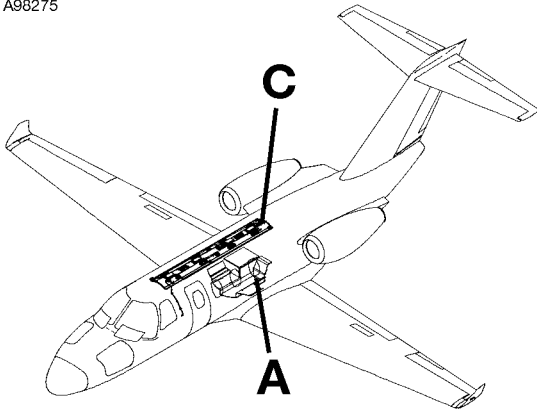
CESSNA®  
**MODEL 525 (SERIALS -0685 AND -0800 AND ON)**  
 ILLUSTRATED PARTS CATALOG

FIG ITEM	PART NUMBER	NOMENCLATURE							UNITS PER ASSY
		1	2	3	4	5	6	7	
01 150	4316002-8	.	PLACARD-CURTAIN INSTRUCTIONS	.	.	.	.	.	01 R

- ITEM NOT ILLUSTRATED

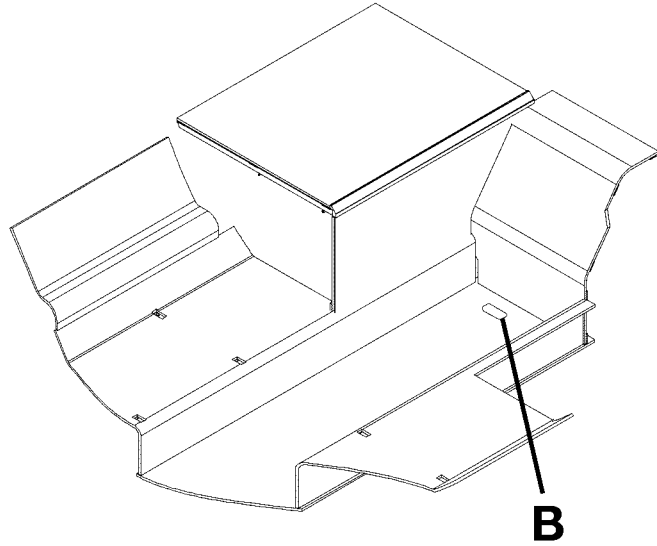
CESSNA®  
**MODEL 525 (SERIALS -0685 AND -0800 AND ON)**  
 ILLUSTRATED PARTS CATALOG

A98275

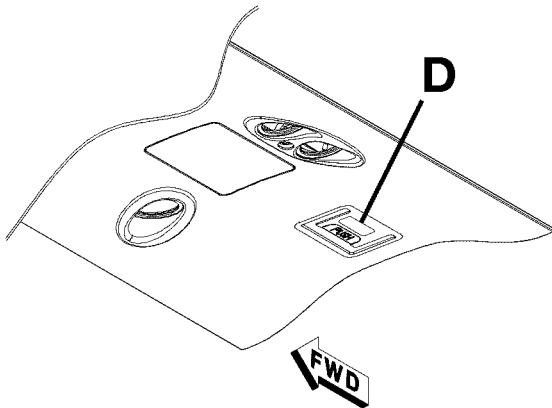


3

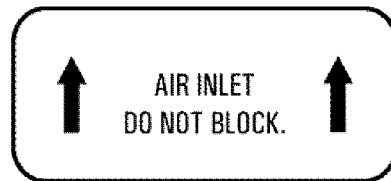
▲ **DETAIL D**



**DETAIL A**



**DETAIL C**



1

**DETAIL B**

▲ Required for Dispatch

6310T1168  
 A6312T1217  
 C6312T1218

AUSTRALIAN INTERIOR PLACARDS AND MARKINGS - AFT CABIN  
 FIGURE 02 (SHEET 1)

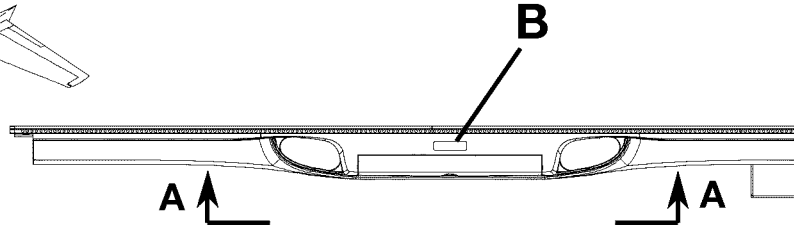
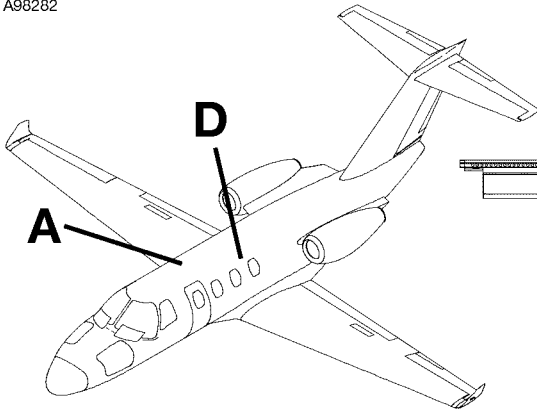
CESSNA®  
**MODEL 525 (SERIALS -0685 AND -0800 AND ON)**  
 ILLUSTRATED PARTS CATALOG

FIG ITEM	PART NUMBER	NOMENCLATURE	UNITS PER ASSY		
			1	2	3
02					
-		AUSTRALIAN INTERIOR PLACARDS AND MARKINGS - AFT CABIN	0856	& ON	RF R
1	4316002-24	. PLACARD-AIR INLET . . . . .			01 R
2	4717018-3	. PLACARD-COVER . . . . .			01 R
3	4316002-34	. PLACARD-COAT ROD . . . . .			01 R

- ITEM NOT ILLUSTRATED

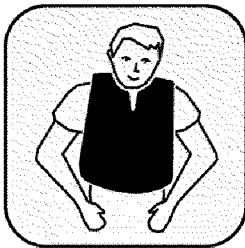
CESSNA®  
**MODEL 525 (SERIALS -0685 AND -0800 AND ON)**  
 ILLUSTRATED PARTS CATALOG

A98282



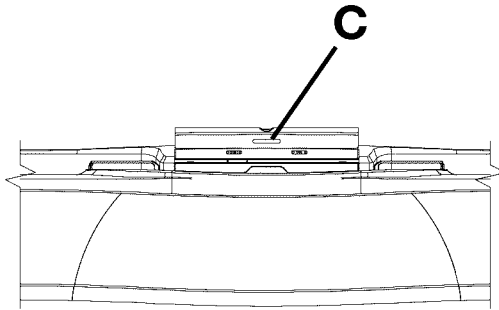
**DETAIL A**

Looking Down on Right Hand Sideledge



3

▲ **DETAIL E**



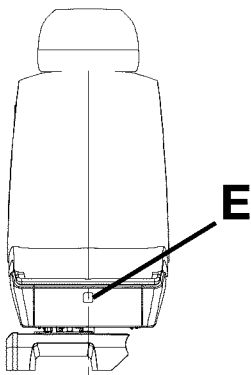
**VIEW A-A**

Table Lid Shown in Upright Position

**FOR TAXI, TAKEOFF, AND LANDING: RAISE SEAT BACK; EXTEND HEADREST; TRACK SEAT TOWARD FRONT OF AIRCRAFT THEN OUTBOARD; FASTEN SHOULDER HARNESS.**

1

▲ **DETAIL B**



**DETAIL D**

**CLOSE LID FOR TAXI, TAKEOFF, AND LANDING.**

2

▲ **DETAIL C**

▲ Required for Dispatch

AUSTRALIAN INTERIOR PLACARDS AND MARKINGS - CABIN SEATS  
 FIGURE 04 (SHEET 1)

6310T1168  
 A6319T1647  
 AA6319T1647  
 D6319T1648



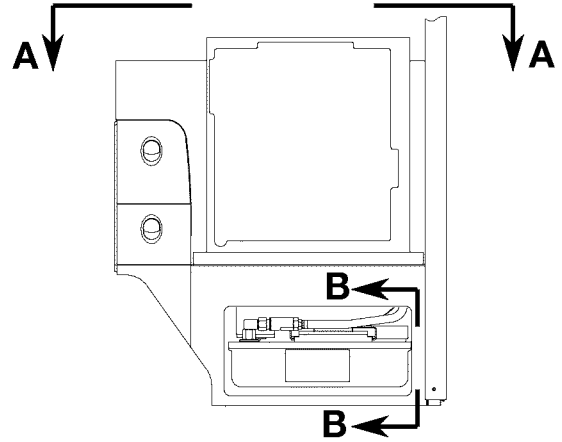
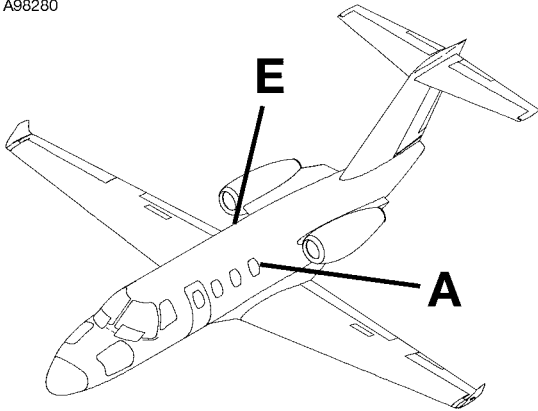
CESSNA®  
**MODEL 525 (SERIALS -0685 AND -0800 AND ON)**  
 ILLUSTRATED PARTS CATALOG

FIG ITEM	PART NUMBER	1 2 3 4 5 6 7	NOMENCLATURE	UNITS PER ASSY
04			AUSTRALIAN INTERIOR PLACARDS AND MARKINGS - CABIN SEATS	0856 & ON RF R
-				
1	4316002-46		. PLACARD-SEAT INSTRUCTIONS . . . . .	02 R
- 1A	4316002-47		. PLACARD-SEAT INSTRUCTIONS OPTIONAL . . . . .	02 R
2	4316002-28		. PLACARD-TABLE LID INSTRUCTIONS . . . . .	02 R
3	4316002-32		. PLACARD-LIFEVEST . . . . .	04 R

- ITEM NOT ILLUSTRATED

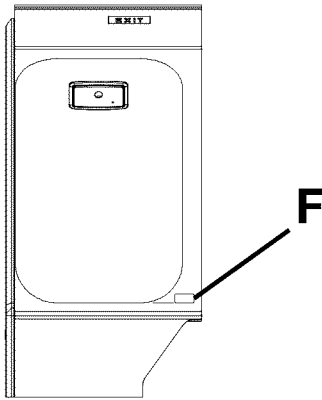
CESSNA®  
**MODEL 525 (SERIALS -0685 AND -0800 AND ON)**  
 ILLUSTRATED PARTS CATALOG

A98280



**DETAIL A**

View Looking Outboard



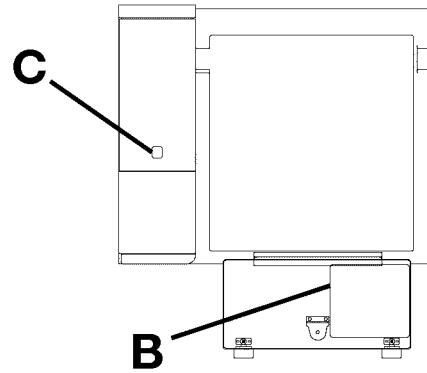
**DETAIL E**

View Looking Outboard



4

▲ **DETAIL F**

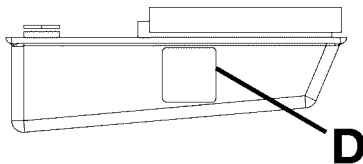


**VIEW A-A**

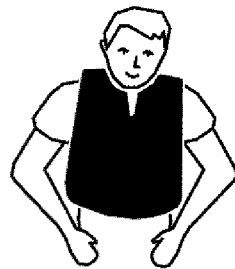
TOILET CHEMICAL  
 IS CORROSIVE.  
 USE EXTREME CARE  
 TO PREVENT SPILLAGE.  
 FOLLOW SERVICING  
 INSTRUCTIONS CAREFULLY.  
 CLEAN ANY SPILLAGE  
 IMMEDIATELY AND  
 REPORT IT TO THE CREW.

1

**DETAIL D**

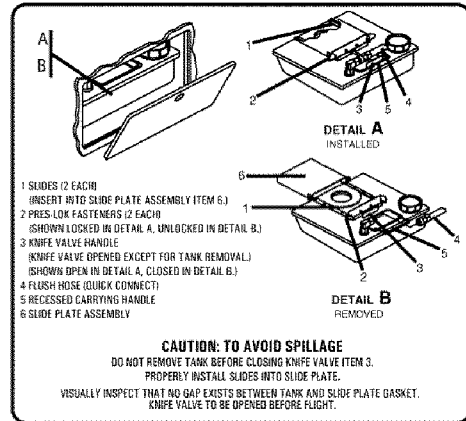


**VIEW B-B**



3

▲ **DETAIL C**



2

**DETAIL B**

6310T1168  
 A6319T1360  
 AA6319T1361  
 BB6319T1360  
 E6314T1662

▲ Required for Dispatch

AUSTRALIAN INTERIOR PLACARDS AND MARKINGS - LAVATORY  
 FIGURE 01 (SHEET 1)

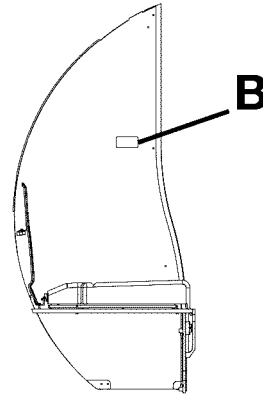
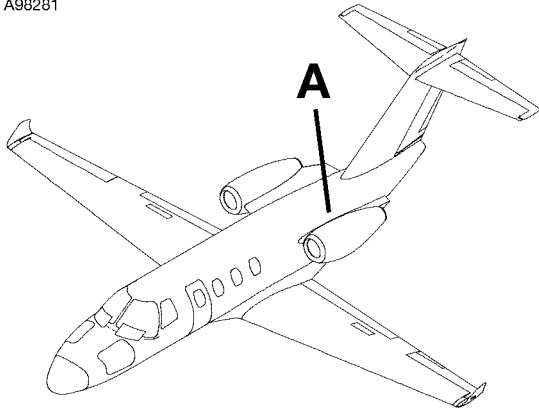
CESSNA®  
**MODEL 525 (SERIALS -0685 AND -0800 AND ON)**  
 ILLUSTRATED PARTS CATALOG

FIG ITEM	PART NUMBER	1 2 3 4 5 6 7	NOMENCLATURE	UNITS PER ASSY		
				0856	& ON	RF R
01			AUSTRALIAN INTERIOR PLACARDS AND MARKINGS - LAVATORY			
-						
1	4316002-30		. PLACARD-TOILET CARE . . . . .			01 R
2	4316002-36		. PLACARD-TOILET SERVICING . . . . .			01 R
3	4316002-32		. PLACARD-LIFEVEST . . . . .			01 R
4	4316002-33		. PLACARD-NO SMOKING . . . . .			01 R

- ITEM NOT ILLUSTRATED

CESSNA®  
**MODEL 525 (SERIALS -0685 AND -0800 AND ON)**  
ILLUSTRATED PARTS CATALOG

A98281



**DETAIL A**

View Looking Forward at Left Hand Side  
Toilet Assembly and Left Hand Side Aft Divider

FOR TAXI, TAKEOFF, AND LANDING:  
LATCH SLIDING DOOR OPEN;  
CLOSE ALL CABINET DOORS AND DRAWERS;  
FASTEN SHOULDER HARNESS.

LIFE VEST IN SEAT CABINET.

75

▲ **DETAIL B**

FOR TAXI, TAKEOFF, AND LANDING:  
STOW CURTAIN;  
CLOSE ALL CABINET DOORS AND DRAWERS;  
FASTEN SHOULDER HARNESS.

77

▲ **DETAIL B**

FOR TAXI, TAKEOFF, AND LANDING:  
LATCH SLIDING DOOR OPEN;  
CLOSE ALL CABINET DOORS AND DRAWERS;  
FASTEN SHOULDER HARNESS.

76

▲ **DETAIL B**

▲ Required for Dispatch

6310T1168  
A6319T1650

AUSTRALIAN INTERIOR PLACARDS AND MARKINGS - LAVATORY  
FIGURE 01 (SHEET 2)

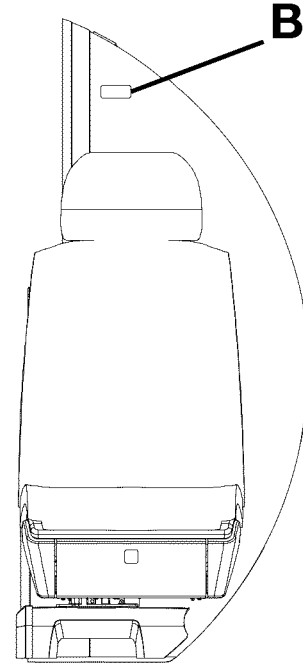
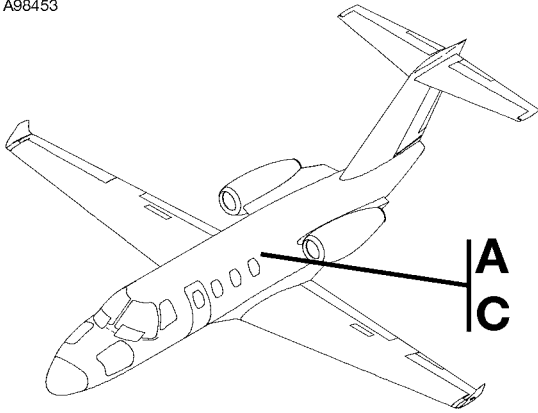
CESSNA®  
**MODEL 525 (SERIALS -0685 AND -0800 AND ON)**  
 ILLUSTRATED PARTS CATALOG

FIG ITEM	PART NUMBER	NOMENCLATURE	UNITS PER ASSY
	1 2 3 4 5 6 7		
01			
75	4316002-42	. PLACARD-LH BELTED TOILET INSTRUCTIONS (DOOR) . . . . .	01 R
76	4316002-43	. PLACARD-LH BELTED TOILET INSTRUCTIONS (DOOR) W/O LIFE VEST . . . . .	01 R
77	4316002-45	. PLACARD-LH BELTED TOILET INSTRUCTIONS (CURTAIN) . . . . .	01 R

- ITEM NOT ILLUSTRATED

CESSNA®  
**MODEL 525 (SERIALS -0685 AND -0800 AND ON)**  
 ILLUSTRATED PARTS CATALOG

A98453



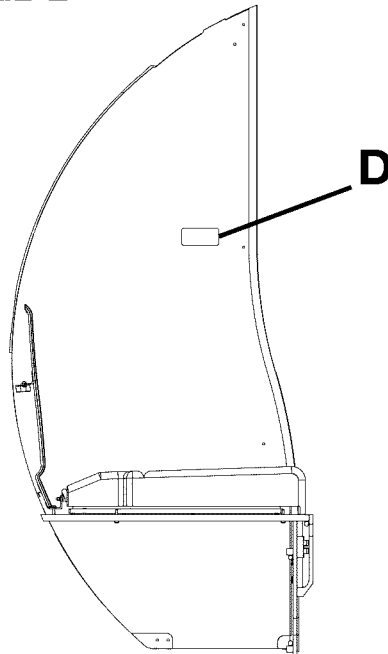
**FOR TAXI, TAKEOFF, AND LANDING:  
 STOW CURTAIN;  
 CLOSE ALL CABINET DOORS AND DRAWERS;  
 FASTEN SHOULDER HARNESS.  
 LIFE VEST IN SEAT CABINET.**

3

▲ **DETAIL D**

**DETAIL A**

Looking Aft



**NO SMOKING IN LAVATORY.  
 STOW CURTAIN  
 FOR TAXI, TAKEOFF, AND LANDING.**

1

▲ **DETAIL B**

**NO SMOKING IN LAVATORY.  
 LATCH SLIDING DOOR OPEN  
 FOR TAXI, TAKEOFF, AND LANDING.**

2

▲ **DETAIL B**

**DETAIL C**

Looking Forward

▲ Required for Dispatch

AUSTRALIAN INTERIOR PLACARDS AND MARKINGS - DIVIDERS  
 FIGURE 02 (SHEET 1)

6310T1168  
 A6319T1649  
 C6319T1650

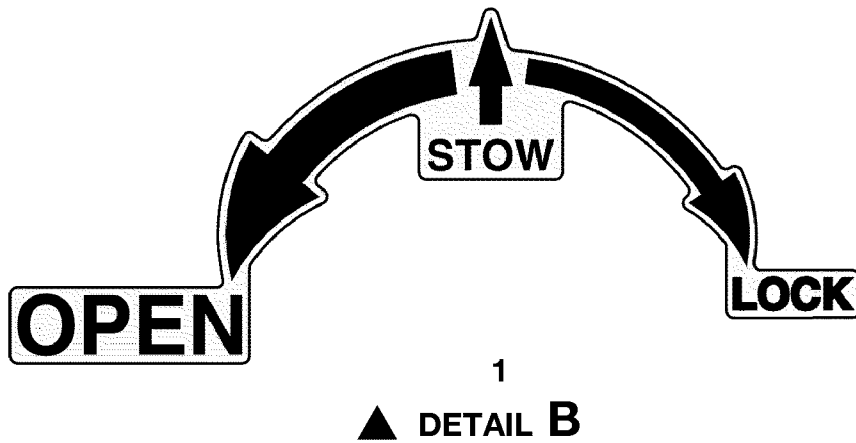
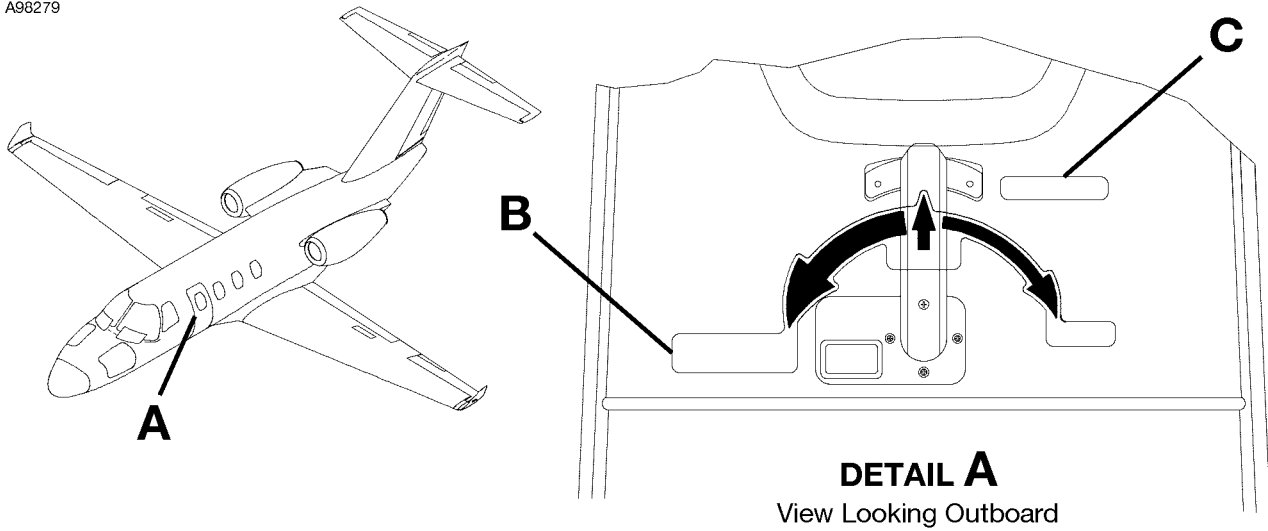
CESSNA®  
**MODEL 525 (SERIALS -0685 AND -0800 AND ON)**  
 ILLUSTRATED PARTS CATALOG

FIG ITEM	PART NUMBER	1 2 3 4 5 6 7	NOMENCLATURE	UNITS PER ASSY		
				0856	& ON	RF R
02			AUSTRALIAN INTERIOR PLACARDS AND MARKINGS - DIVIDERS			
-				0856	& ON	RF R
1	4316002-25		. PLACARD-AFT CABIN INSTRUCTIONS . . . . .			01 R
2	4316002-41		. PLACARD-AFT CABIN INSTRUCTIONS (DOOR) . . . . .			01 R
3	4316002-29		. PLACARD-LH BELTED TOILET (CURTAIN) . . . . .			01 R

- ITEM NOT ILLUSTRATED

CESSNA®  
MODEL 525 (SERIALS -0685 AND -0800 AND ON)  
ILLUSTRATED PARTS CATALOG

A98279



**TO RELEASE: PUSH BUTTON,  
PULL TRIGGER ON HANDLE.**

2  
▲ DETAIL C

▲ Required for Dispatch

6310T1168  
A6319T1645

AUSTRALIAN INTERIOR PLACARDS AND MARKINGS - CABIN DOOR  
FIGURE 01 (SHEET 1)



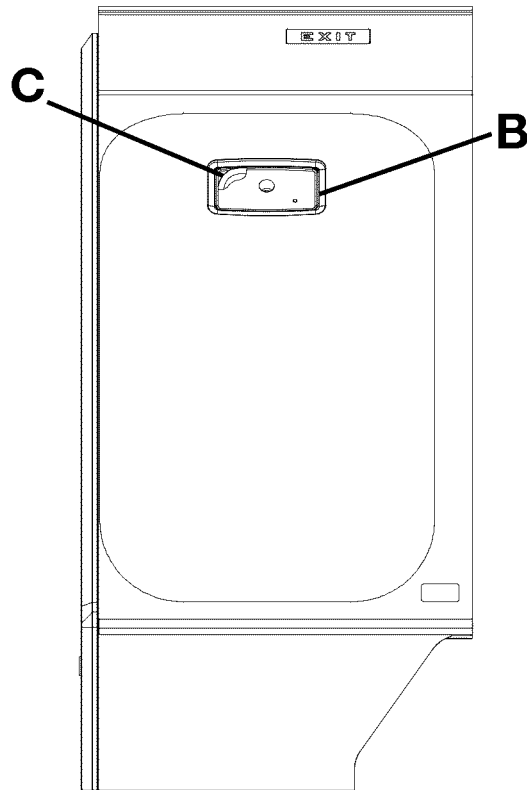
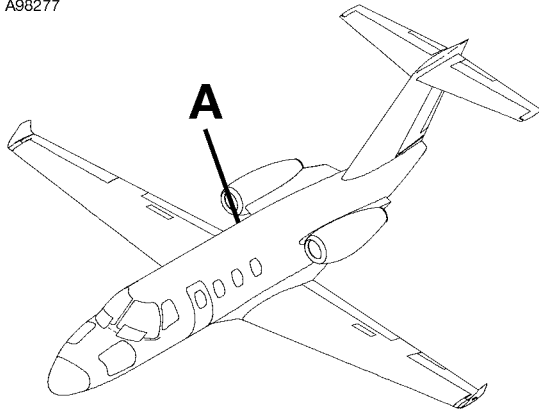
CESSNA®  
**MODEL 525 (SERIALS -0685 AND -0800 AND ON)**  
 ILLUSTRATED PARTS CATALOG

FIG ITEM	PART NUMBER	NOMENCLATURE	UNITS PER ASSY	
			1 2 3 4 5 6 7	
01				
-		AUSTRALIAN INTERIOR PLACARDS AND MARKINGS - CABIN DOOR	0856	& ON RF R
1	4316002-18	. DECAL-CABIN DOOR INSTRUCTIONS . . . . .		01 R
2	4316002-19	. DECAL-CABIN DOOR HANDLE INSTRUCTIONS . . . . .		01 R

- ITEM NOT ILLUSTRATED

CESSNA®  
**MODEL 525 (SERIALS -0685 AND -0800 AND ON)**  
 ILLUSTRATED PARTS CATALOG

A98277

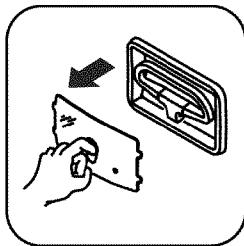


◀ FWD



1

▲ **DETAIL E**

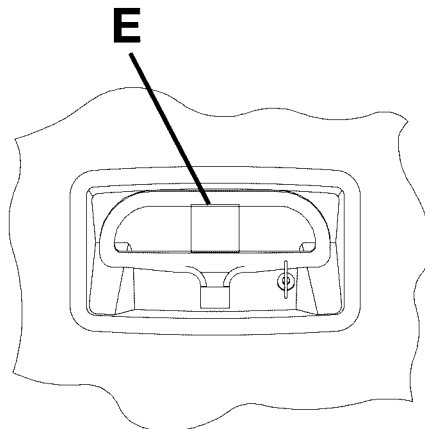


2

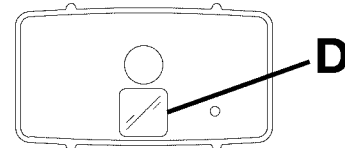
▲ **DETAIL D**

**DETAIL A**

View Looking Outboard



**DETAIL C**



**DETAIL B**

▲ Required for Dispatch

6310T1168  
 A6310T1180  
 B6310T1180  
 C6310T1180

AUSTRALIAN INTERIOR PLACARDS AND MARKINGS - ESCAPE HATCH  
 FIGURE 02 (SHEET 1)

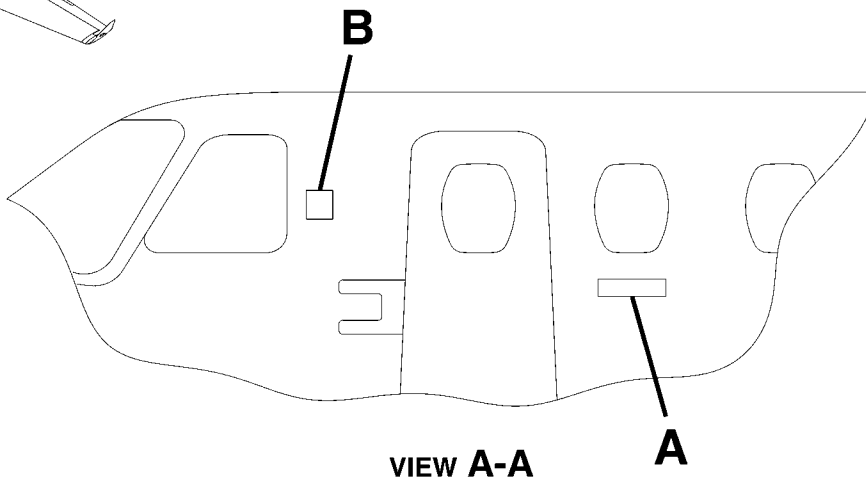
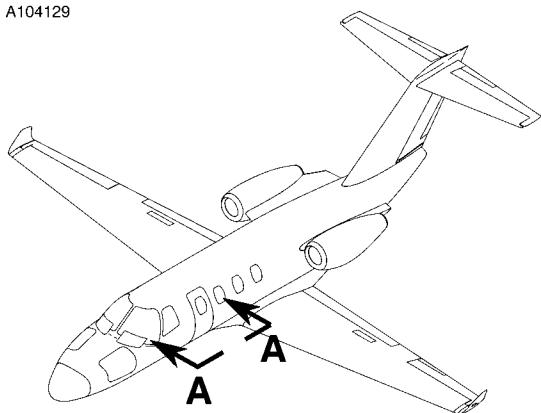
CESSNA®  
**MODEL 525 (SERIALS -0685 AND -0800 AND ON)**  
 ILLUSTRATED PARTS CATALOG

FIG ITEM	PART NUMBER	1 2 3 4 5 6 7	NOMENCLATURE	UNITS PER ASSY		
02			AUSTRALIAN INTERIOR PLACARDS AND MARKINGS - ESCAPE HATCH	0856	& ON	RF R
-			. PLACARD-ESCAPE HATCH HANDLE INSTRUCTIONS . . . . .			01 R
1	4316002-27		. PLACARD-ESCAPE HATCH COVER INSTRUCTIONS . . . . .			01 R
2	4316002-26					

- ITEM NOT ILLUSTRATED

CESSNA®  
MODEL 525 (SERIALS -0685 AND -0800 AND ON)  
ILLUSTRATED PARTS CATALOG

A104129



3  
DETAIL B

CITATION  
M2

1  
DETAIL A

ROMANIAN EXTERIOR PLACARDS AND MARKINGS - FUSELAGE  
FIGURE 02 (SHEET 1)

6310T1168  
AA6314T1174

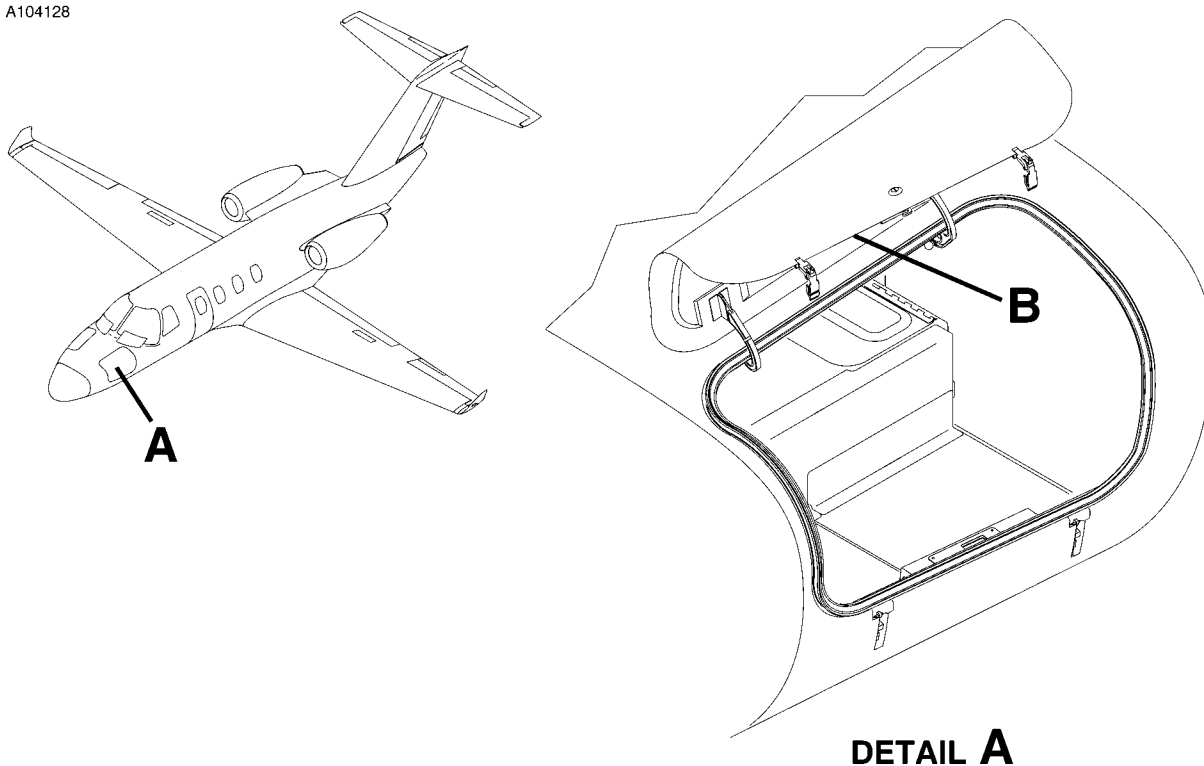
CESSNA®  
**MODEL 525 (SERIALS -0685 AND -0800 AND ON)**  
 ILLUSTRATED PARTS CATALOG

FIG ITEM	PART NUMBER	1 2 3 4 5 6 7	NOMENCLATURE	UNITS PER ASSY
02				
-			ROMANIAN EXTERIOR PLACARDS AND MARKINGS - FUSELAGE	0955 & ON RF R
- 1	4416001-32		. DECAL-M2 INSIGNIA . . . . .	02 R
- 2	4416001-31		. PAINTMASK-M2 INSIGNIA . . . . .	01 R
- 3	6505010-124		. DECAL-CESSNA LOGO . . . . .	02 R
- 4	6505010-123		. PAINTMASK-CESSNA LOGO . . . . .	01 R

- ITEM NOT ILLUSTRATED

CESSNA®  
MODEL 525 (SERIALS -0685 AND -0800 AND ON)  
ILLUSTRATED PARTS CATALOG

A104128



**MAXIMUM WEIGHT ALLOWANCE  
400 LBS (181 KG).  
MAXIMUM FLOOR LOADING  
35 LBS/FT<sup>2</sup> (170 KG/M<sup>2</sup>).  
SEE AFM FOR WEIGHT  
AND BALANCE DATA.**

1

▲ **DETAIL B**

▲ Required for Dispatch

6310T1168  
A6313T1003

ROMANIAN EXTERIOR PLACARDS AND MARKINGS - NOSE BAGGAGE  
FIGURE 01 (SHEET 1)

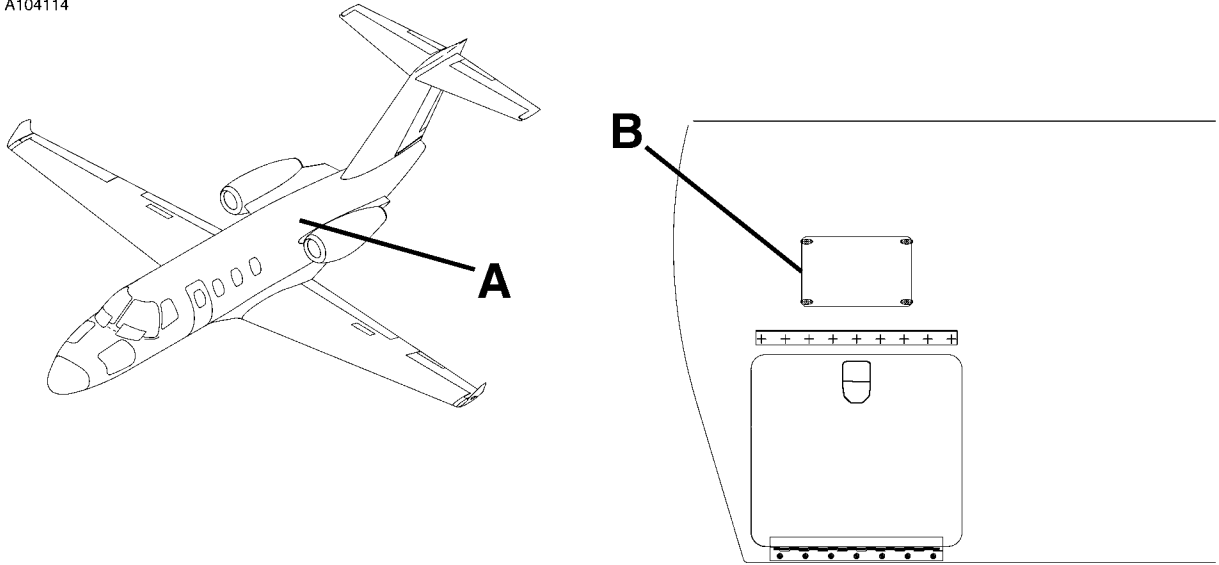
CESSNA®  
**MODEL 525 (SERIALS -0685 AND -0800 AND ON)**  
 ILLUSTRATED PARTS CATALOG

FIG ITEM	PART NUMBER	1 2 3 4 5 6 7	NOMENCLATURE	UNITS PER ASSY		
01						
-			ROMANIAN EXTERIOR PLACARDS AND MARKINGS - NOSE BAGGAGE	0955	& ON	RF R
1	4416000-163		. PLACARD-MAX BAGGAGE WEIGHT 400LBS . . . . .			02 R

- ITEM NOT ILLUSTRATED

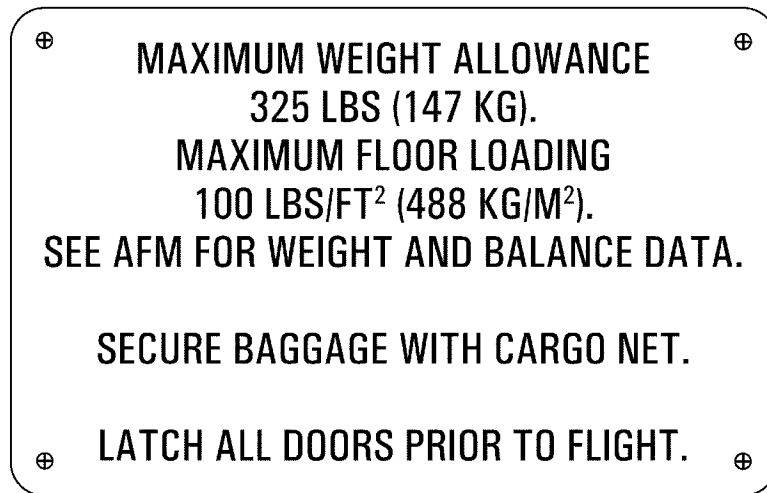
CESSNA®  
**MODEL 525 (SERIALS -0685 AND -0800 AND ON)**  
ILLUSTRATED PARTS CATALOG

A104114



**DETAIL A**

Looking Forward at Left Hand Side Forward Wall



1

▲ **DETAIL B**

▲ Required for Dispatch

6310T1168  
A6312T1220

ROMANIAN EXTERIOR PLACARDS AND MARKINGS - AFT BAGGAGE  
FIGURE 02 (SHEET 1)



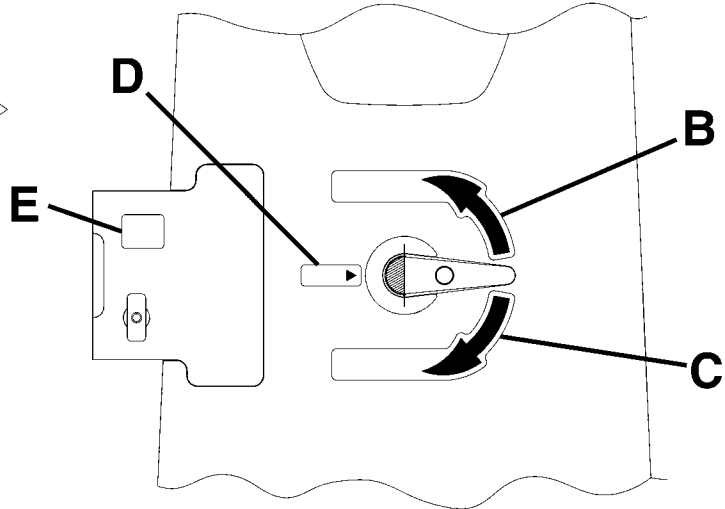
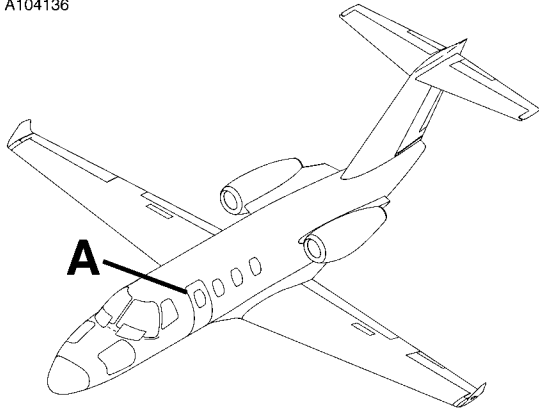
CESSNA®  
**MODEL 525 (SERIALS -0685 AND -0800 AND ON)**  
 ILLUSTRATED PARTS CATALOG

FIG ITEM	PART NUMBER	NOMENCLATURE	UNITS	
			PER	ASSY
02				
-		ROMANIAN EXTERIOR PLACARDS AND MARKINGS - AFT BAGGAGE	0955	& ON RF R
1	4416004-58	. PLACARD-MAX BAGGAGE WEIGHT 325LB . . . . .		01 R
		ATTACHING PARTS		
- 2	MS35214-14	. SCREW . . . . .		04 R
- 3	MS21069L04	. NUTPLATE . . . . .		04 R
		—*—		

- ITEM NOT ILLUSTRATED

CESSNA®  
**MODEL 525 (SERIALS -0685 AND -0800 AND ON)**  
 ILLUSTRATED PARTS CATALOG

A104136



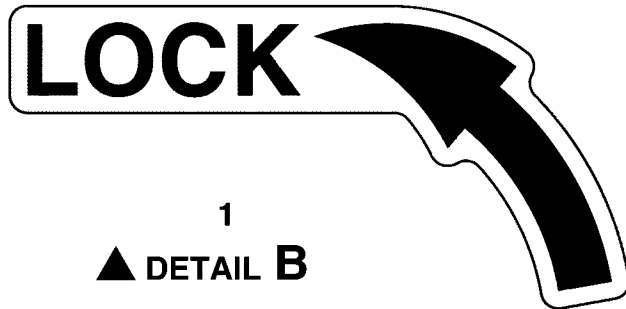
**DETAIL A**

(View Looking Inboard at Entry Door)

**DOOR CATCH  
 RELEASE INSIDE  
 BEHIND THIS  
 PLACARD. RAISE  
 STEPS BEFORE  
 CLOSING DOOR.**

4

**DETAIL E**



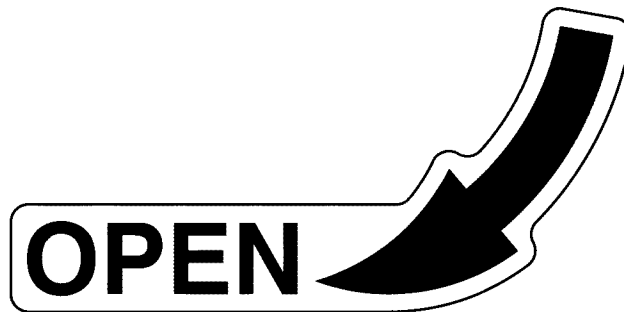
1

▲ **DETAIL B**



3

▲ **DETAIL D**



2

▲ **DETAIL C**

▲ Required for Dispatch

6310T1168  
 A6319T1646

ROMANIAN EXTERIOR PLACARDS AND MARKINGS - CABIN DOOR  
 FIGURE 01 (SHEET 1)

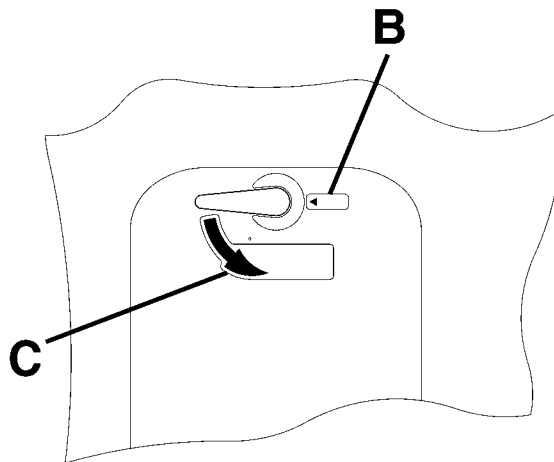
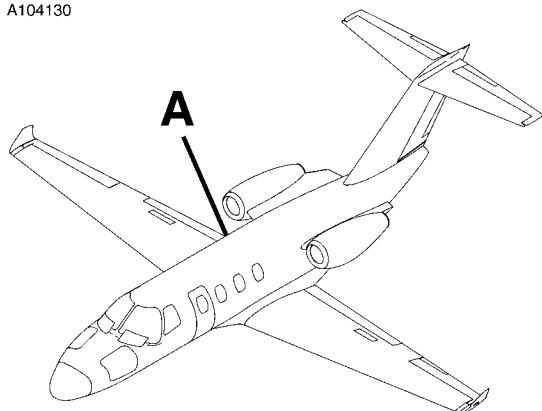
CESSNA®  
**MODEL 525 (SERIALS -0685 AND -0800 AND ON)**  
 ILLUSTRATED PARTS CATALOG

FIG ITEM	PART NUMBER	NOMENCLATURE	UNITS PER ASSY	
			1 2 3 4 5 6 7	
01				
-		ROMANIAN EXTERIOR PLACARDS AND MARKINGS - CABIN DOOR	0955	& ON RF R
1	4316002-16	. DECAL-LOCK . . . . .		01 R
2	4316002-17	. DECAL-OPEN . . . . .		01 R
3	4316002-15	. DECAL-PUSH . . . . .		01 R
4	4416000-172	. PLACARD-PRECATCH HANDLE . . . . .		01 R

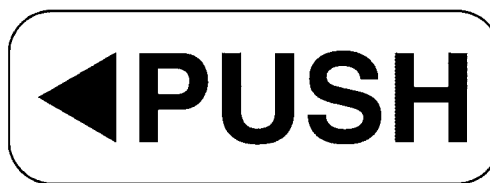
- ITEM NOT ILLUSTRATED

CESSNA®  
MODEL 525 (SERIALS -0685 AND -0800 AND ON)  
ILLUSTRATED PARTS CATALOG

A104130



**DETAIL A**  
Looking Inboard at Escape Hatch



2  
▲ **DETAIL B**



1  
▲ **DETAIL C**

▲ Required for Dispatch

ROMANIAN EXTERIOR PLACARDS AND MARKINGS - ESCAPE HATCH  
FIGURE 02 (SHEET 1)

6310T1168  
A4711953-2

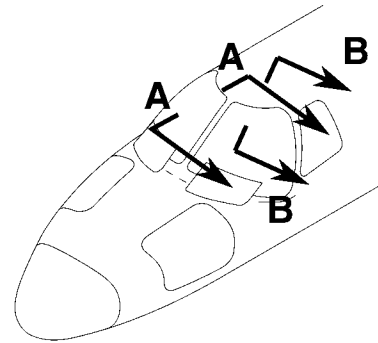
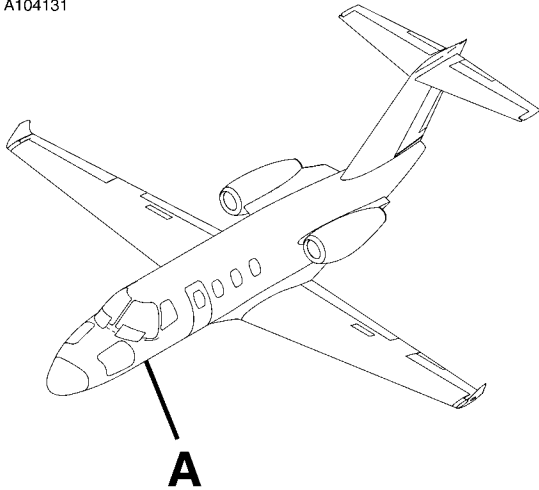
CESSNA®  
**MODEL 525 (SERIALS -0685 AND -0800 AND ON)**  
 ILLUSTRATED PARTS CATALOG

FIG ITEM	PART NUMBER	1 2 3 4 5 6 7	NOMENCLATURE	UNITS PER ASSY		
02						
-			ROMANIAN EXTERIOR PLACARDS AND MARKINGS - ESCAPE HATCH	0955	& ON	RF R
1	4316002-1		. DECAL-EMERGENCY EXIT (OPEN ) . . . . .			01 R
2	4316002-2		. DECAL-EMERGENCY EXIT (PUSH) . . . . .			01 R

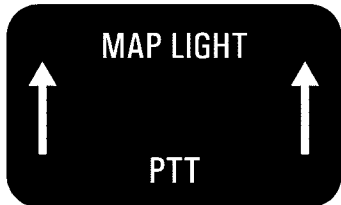
- ITEM NOT ILLUSTRATED

CESSNA®  
**MODEL 525 (SERIALS -0685 AND -0800 AND ON)**  
 ILLUSTRATED PARTS CATALOG

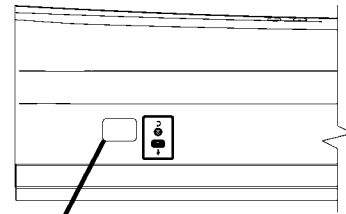
A104131



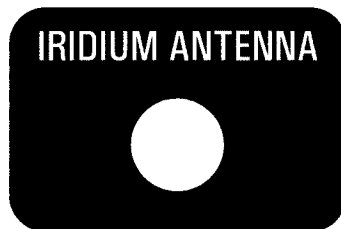
**DETAIL A**



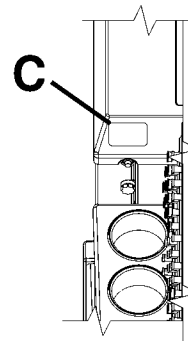
**2**  
**DETAIL C**



**B**  
**VIEW A-A**



**1**  
**DETAIL B**



**VIEW B-B**

View Looking at Left Hand Side Console

6310T1168  
 B6310T1168  
 AA6310T1182  
 BB6310T1183  
 CC6310T1184

ROMANIAN INTERIOR PLACARDS AND MARKINGS - LH CONSOLE  
 FIGURE 04 (SHEET 1)

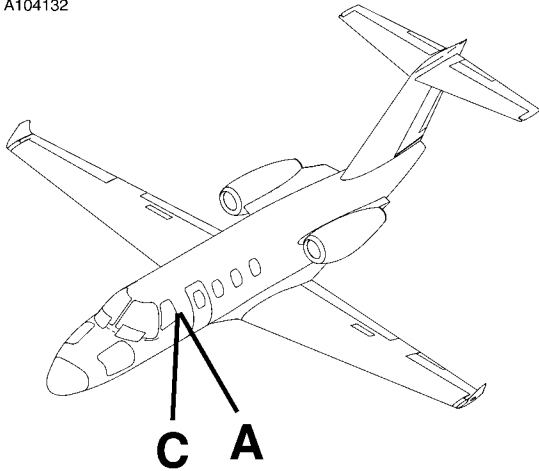
CESSNA®  
**MODEL 525 (SERIALS -0685 AND -0800 AND ON)**  
 ILLUSTRATED PARTS CATALOG

FIG ITEM	PART NUMBER	1 2 3 4 5 6 7	NOMENCLATURE	UNITS PER ASSY		
				0955	& ON	RF R
04			ROMANIAN INTERIOR PLACARDS AND MARKINGS - LH CONSOLE			
-			. PLACARD-IRIDIUM ANTENNA . . . . .			01 R
1	4316002-35		. PLACARD-MAP LIGHT . . . . .			02 R
2	4316002-38					

- ITEM NOT ILLUSTRATED

CESSNA®  
**MODEL 525 (SERIALS -0685 AND -0800 AND ON)**  
 ILLUSTRATED PARTS CATALOG

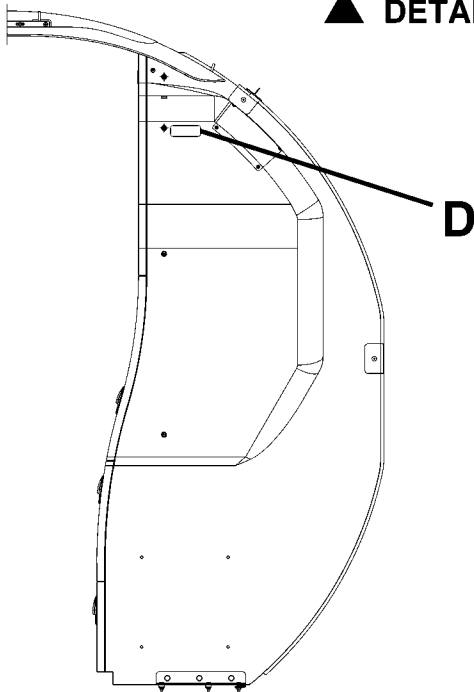
A104132



STOW CURTAIN FOR  
 TAXI, TAKEOFF, AND LANDING.

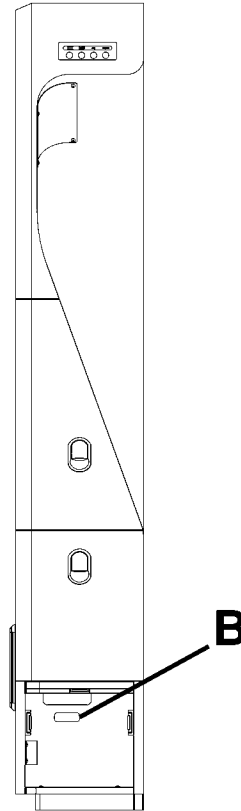
2

▲ **DETAIL D**



**DETAIL C**

Looking Aft at Left Hand Cabinet Assembly



**DETAIL A**

CABIN BRIEFER  
 PROGRAM LOAD PORT

1

**DETAIL B**

▲ Required for Dispatch

ROMANIAN INTERIOR PLACARDS AND MARKINGS - FLIGHT COMPARTMENT  
 FIGURE 05 (SHEET 1)

6310T1168  
 A471T1953  
 C471T1953



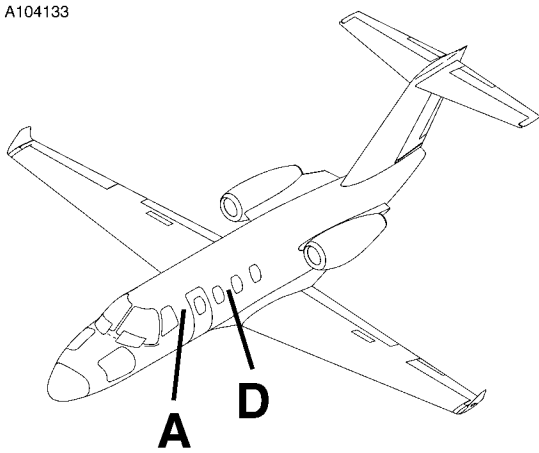
CESSNA®  
**MODEL 525 (SERIALS -0685 AND -0800 AND ON)**  
 ILLUSTRATED PARTS CATALOG

FIG ITEM	PART NUMBER	NOMENCLATURE	UNITS PER ASSY	
			1 2 3 4 5 6 7	
05				
-		ROMANIAN INTERIOR PLACARDS AND MARKINGS - FLIGHT COMPARTMENT	0955	& ON RF R
1	4316002-40	. PLACARD-CABIN BRIEFER PORT . . . . .		01 R
2	4316002-8	. PLACARD-CURTAIN INSTRUCTIONS . . . . .		01 R

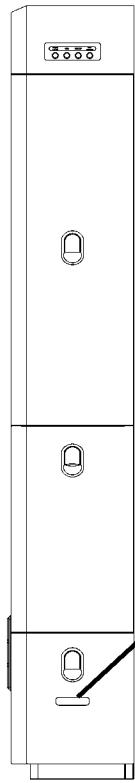
- ITEM NOT ILLUSTRATED

CESSNA®  
**MODEL 525 (SERIALS -0685 AND -0800 AND ON)**  
 ILLUSTRATED PARTS CATALOG

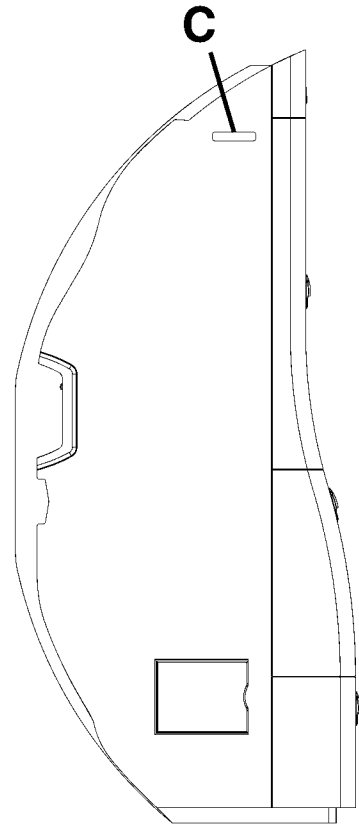
A104133



**A**



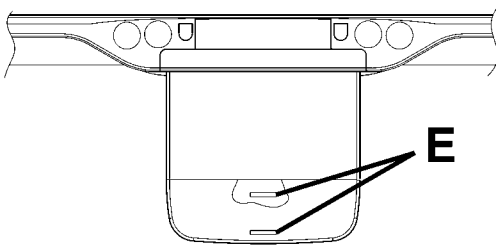
**DETAIL A**



**VIEW A-A**

**STOW FOR TAXI, TAKEOFF, AND LANDING.**

**1**  
**▲ DETAIL E**



**DETAIL D**

Looking Down on Right Hand Side Deployed Table,  
 Left Hand Side Opposite

**CLOSE ALL CABINET DOORS AND DRAWERS  
 FOR TAXI, TAKEOFF, AND LANDING.**

**3**  
**▲ DETAIL C**

**NO CIGARETTE DISPOSAL;  
 METAL TRASH LINER REQUIRED.**

**2**  
**▲ DETAIL B**

**▲ Required for Dispatch**

6310T1168  
 A6320T1021  
 AA6320T1021  
 D6320T1021

ROMANIAN INTERIOR PLACARDS AND MARKINGS - FORWARD CABIN  
 FIGURE 01 (SHEET 1)

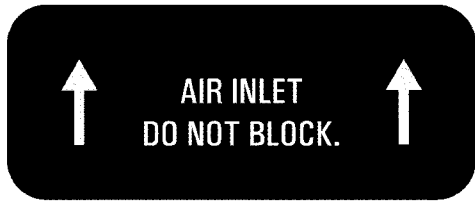
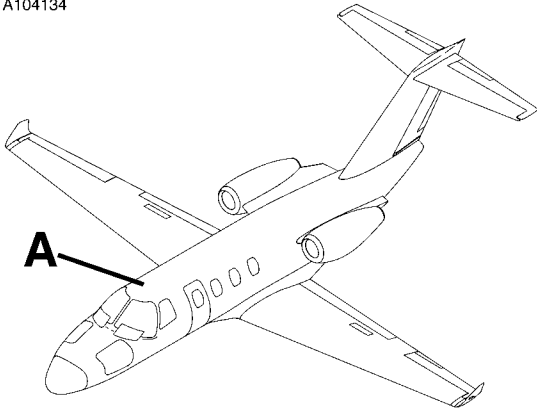
CESSNA®  
**MODEL 525 (SERIALS -0685 AND -0800 AND ON)**  
 ILLUSTRATED PARTS CATALOG

FIG ITEM	PART NUMBER	1 2 3 4 5 6 7	NOMENCLATURE	UNITS PER ASSY		
01			ROMANIAN INTERIOR PLACARDS AND MARKINGS - FORWARD CABIN	0955	& ON	RF R
-						
1	4316002-200		. PLACARD-TABLE STOWAGE . . . . .			04 R
2	4316002-20		. PLACARD-TRASH CONTAINER . . . . .			01 R
3	4316002-23		. PLACARD-CABINET DOOR INSTRUCTIONS . . . . .			01 R

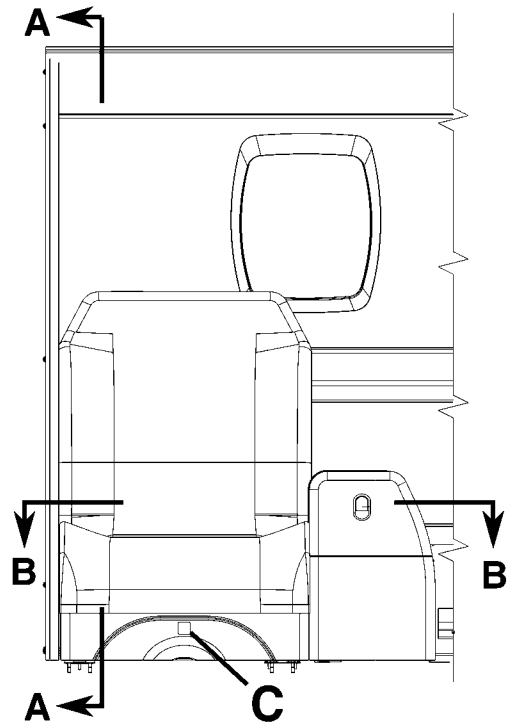
- ITEM NOT ILLUSTRATED

CESSNA®  
**MODEL 525 (SERIALS -0685 AND -0800 AND ON)**  
 ILLUSTRATED PARTS CATALOG

A104134



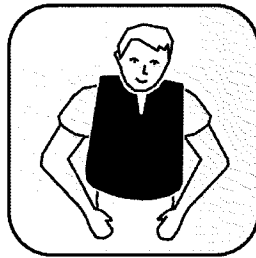
76  
**DETAIL D**



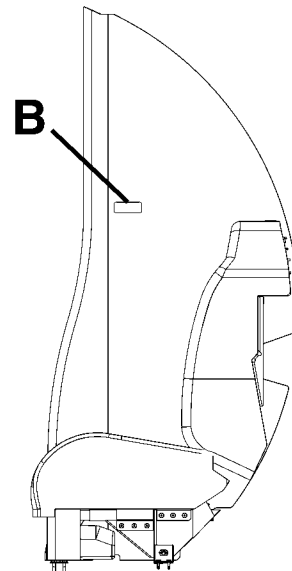
**DETAIL A**  
 Looking Outboard at Side Facing Seat



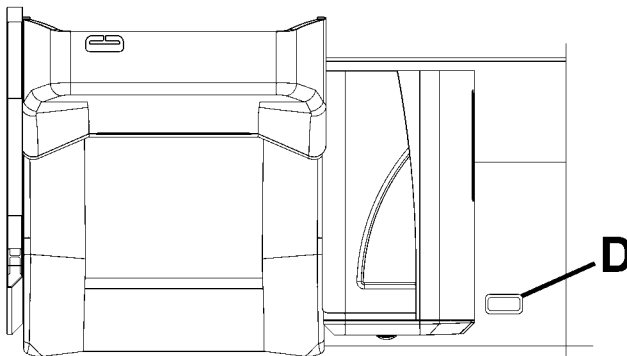
75  
 ▲ **DETAIL B**



78  
 ▲ **DETAIL C**



**VIEW A-A**



▲ **Required for Dispatch**      **VIEW B-B**

ROMANIAN INTERIOR PLACARDS AND MARKINGS - FORWARD CABIN  
 FIGURE 01 (SHEET 2)

6310T1168  
 A6320T1021  
 AA6320T1021  
 BB6320T1021

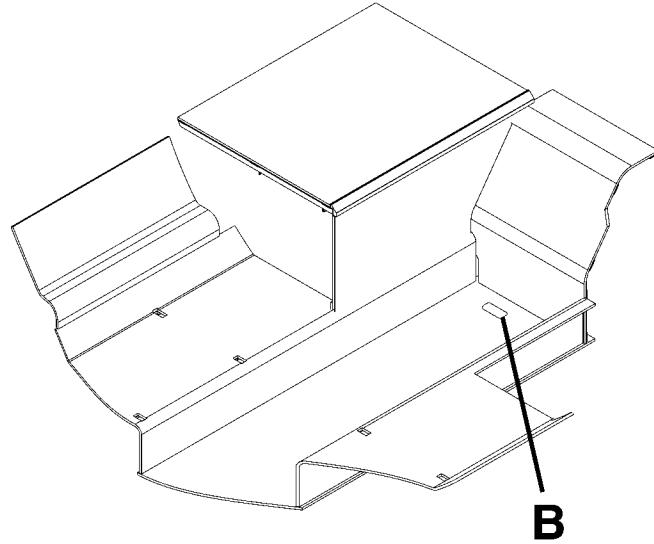
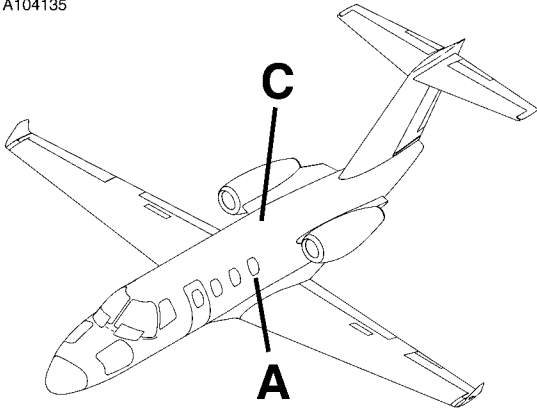
CESSNA®  
**MODEL 525 (SERIALS -0685 AND -0800 AND ON)**  
 ILLUSTRATED PARTS CATALOG

FIG ITEM	PART NUMBER	NOMENCLATURE	UNITS PER ASSY
	1 2 3 4 5 6 7		
01			
75	4316002-21	. PLACARD-SIDE FACING SEAT INSTRUCTIONS . . . . .	01 R
76	4316002-24	. PLACARD-AIR INLET . . . . .	01 R
- 77	4717018-3	. PLACARD-COVER . . . . .	01 R
78	4316002-32	. PLACARD-SIDE FACING SEAT LIFEVEST . . . . .	01 R

- ITEM NOT ILLUSTRATED

CESSNA®  
**MODEL 525 (SERIALS -0685 AND -0800 AND ON)**  
 ILLUSTRATED PARTS CATALOG

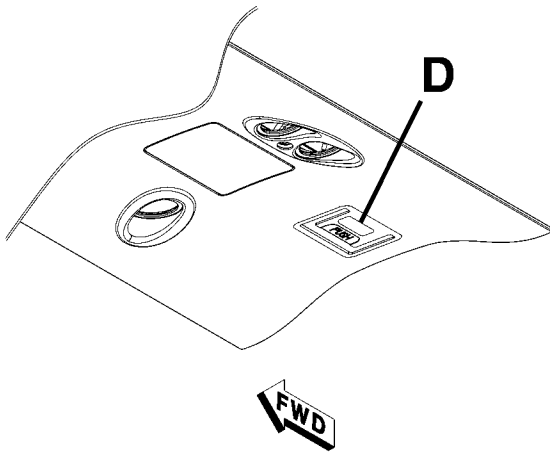
A104135



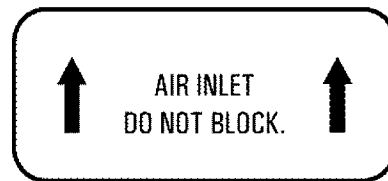
3

▲ **DETAIL D**

**DETAIL A**



**DETAIL C**



1

**DETAIL B**

▲ Required for Dispatch

ROMANIAN INTERIOR PLACARDS AND MARKINGS - AFT CABIN  
 FIGURE 02 (SHEET 1)

6310T1168  
 A6312T1217  
 C6312T1218

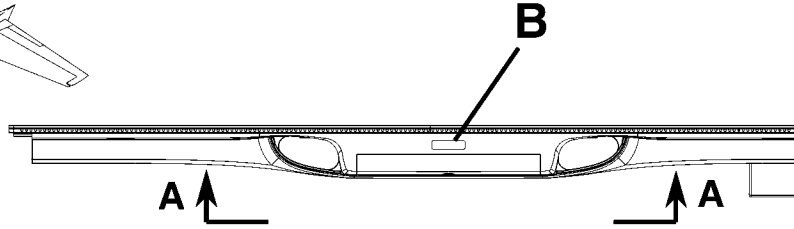
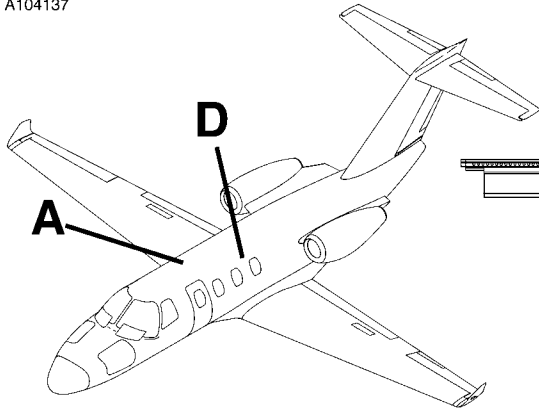
CESSNA®  
**MODEL 525 (SERIALS -0685 AND -0800 AND ON)**  
 ILLUSTRATED PARTS CATALOG

FIG ITEM	PART NUMBER	1 2 3 4 5 6 7	NOMENCLATURE	UNITS PER ASSY		
				0955	& ON	RF R
02			ROMANIAN INTERIOR PLACARDS AND MARKINGS - AFT CABIN			
-						
1	4316002-24		. PLACARD-AIR INLET . . . . .			01 R
- 2	4717018-3		. PLACARD-COVER . . . . .			01 R
3	4316002-34		. PLACARD-COAT ROD . . . . .			01 R

- ITEM NOT ILLUSTRATED

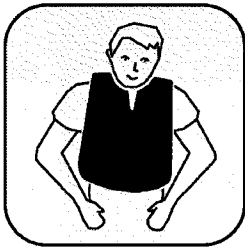
CESSNA®  
**MODEL 525 (SERIALS -0685 AND -0800 AND ON)**  
 ILLUSTRATED PARTS CATALOG

A104137



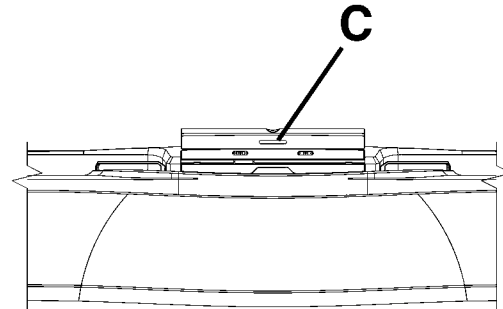
**DETAIL A**

Looking Down on Right Hand Sideedge



3

▲ **DETAIL E**



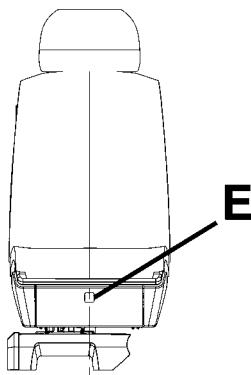
**VIEW A-A**

Table Lid Shown in Upright Position

**FOR TAXI, TAKEOFF, AND LANDING: RAISE SEAT BACK;  
 EXTEND HEADREST; TRACK SEAT AWAY FROM  
 TABLE THEN OUTBOARD; FASTEN SHOULDER HARNESS.  
 LIFE VEST IN SEAT BASE.**

1

▲ **DETAIL B**



**DETAIL D**

**CLOSE LID FOR TAXI, TAKEOFF, AND LANDING.**

2

▲ **DETAIL C**

▲ Required for Dispatch

ROMANIAN INTERIOR PLACARDS AND MARKINGS - CABIN SEATS  
 FIGURE 04 (SHEET 1)

6310T1168  
 A6319T1647  
 AA6319T1647  
 D6319T1648



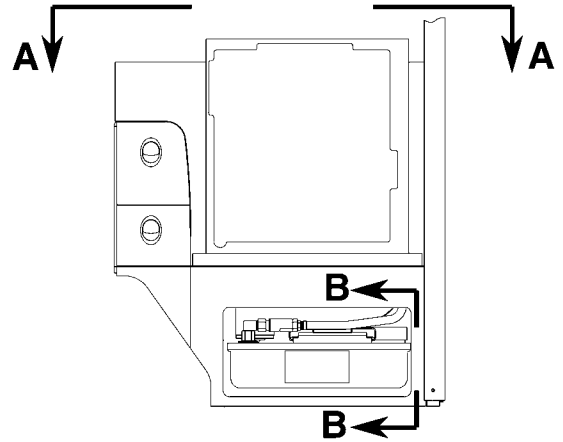
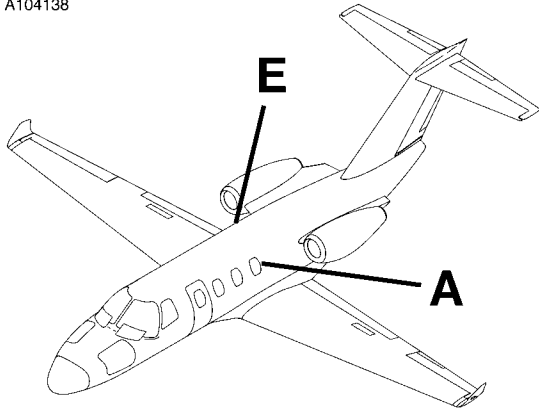
CESSNA®  
**MODEL 525 (SERIALS -0685 AND -0800 AND ON)**  
 ILLUSTRATED PARTS CATALOG

FIG ITEM	PART NUMBER	NOMENCLATURE	UNITS PER ASSY	
			1 2 3 4 5 6 7	
04				
-		ROMANIAN INTERIOR PLACARDS AND MARKINGS - CABIN SEATS	0955	& ON RF R
1	4316002-47	. PLACARD-SEAT INSTRUCTIONS OPTIONAL . . . . .		02 R
2	4316002-28	. PLACARD-TABLE LID INSTRUCTIONS . . . . .		02 R
3	4316002-32	. PLACARD-LIFEVEST . . . . .		04 R

- ITEM NOT ILLUSTRATED

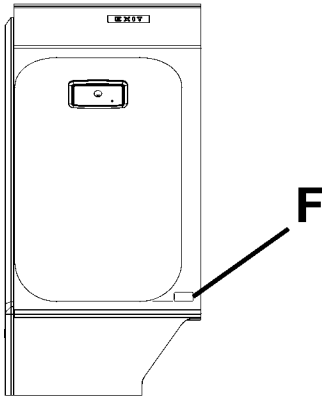
CESSNA®  
**MODEL 525 (SERIALS -0685 AND -0800 AND ON)**  
 ILLUSTRATED PARTS CATALOG

A104138



**DETAIL A**

View Looking Outboard

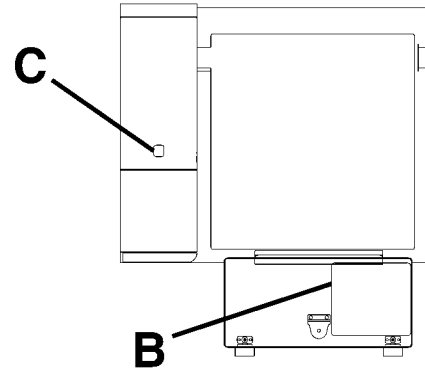


4

▲ **DETAIL F**

**DETAIL E**

View Looking Outboard

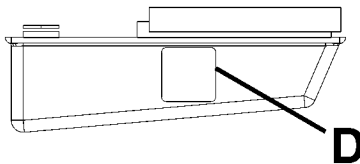


**VIEW A-A**

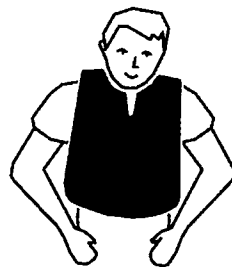
TOILET CHEMICAL  
 IS CORROSIVE.  
 USE EXTREME CARE  
 TO PREVENT SPILLAGE.  
 FOLLOW SERVICING  
 INSTRUCTIONS CAREFULLY.  
 CLEAN ANY SPILLAGE  
 IMMEDIATELY AND  
 REPORT IT TO THE CREW.

1

**DETAIL D**

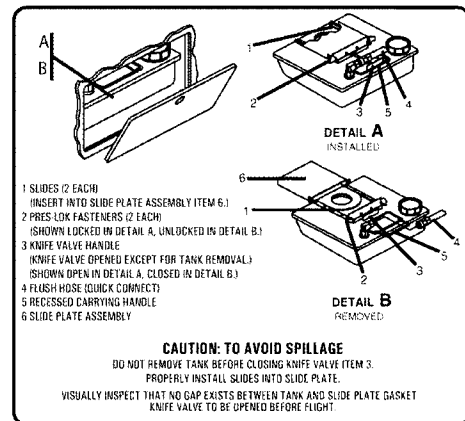


**VIEW B-B**



3

▲ **DETAIL C**



2

**DETAIL B**

6310T1168  
 A6319T1360  
 AA6319T1361  
 BB6319T1360  
 E6314T1662

▲ Required for Dispatch

ROMANIAN INTERIOR PLACARDS AND MARKINGS - LAVATORY  
 FIGURE 01 (SHEET 1)

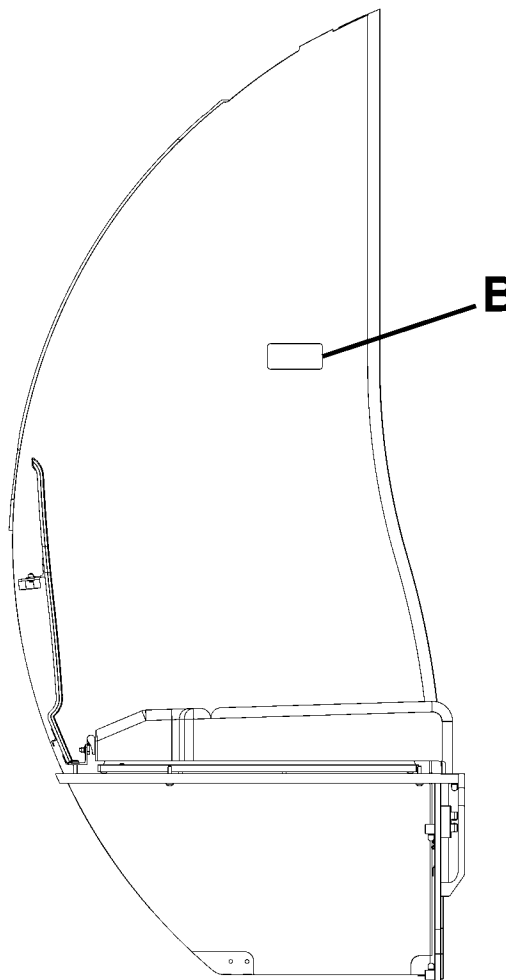
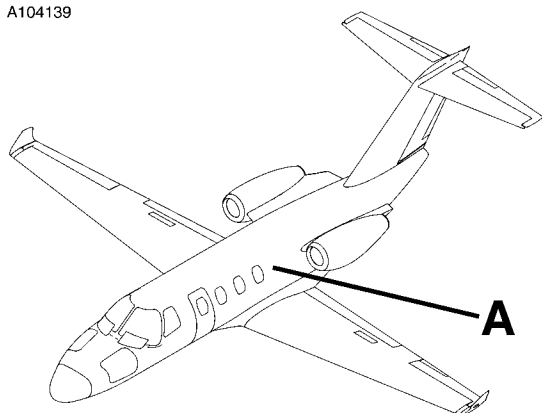
CESSNA®  
**MODEL 525 (SERIALS -0685 AND -0800 AND ON)**  
 ILLUSTRATED PARTS CATALOG

FIG ITEM	PART NUMBER	NOMENCLATURE	UNITS	
			PER	ASSY
01				
-		ROMANIAN INTERIOR PLACARDS AND MARKINGS - LAVATORY	0955	& ON RF R
1	4316002-30	. PLACARD-TOILET CARE . . . . .		01 R
2	4316002-36	. PLACARD-TOILET SERVICING . . . . .		01 R
3	4316002-32	. PLACARD-LIFEVEST . . . . .		01 R
4	4316002-33	. PLACARD-NO SMOKING . . . . .		01 R

- ITEM NOT ILLUSTRATED

CESSNA®  
MODEL 525 (SERIALS -0685 AND -0800 AND ON)  
ILLUSTRATED PARTS CATALOG

A104139



FOR TAXI, TAKEOFF, AND LANDING:  
LATCH SLIDING DOOR OPEN;  
CLOSE ALL CABINET DOORS AND DRAWERS;  
FASTEN SHOULDER HARNESS.  
  
LIFE VEST IN SEAT CABINET.

75  
▲ **DETAIL B**

**DETAIL A**  
View Looking Forward

▲ Required for Dispatch

6310T1168  
A4711T953-31

ROMANIAN INTERIOR PLACARDS AND MARKINGS - LAVATORY  
FIGURE 01 (SHEET 2)

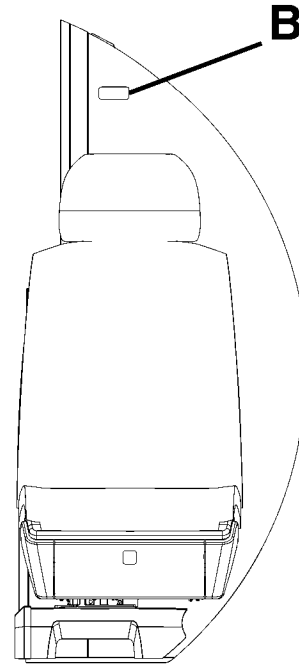
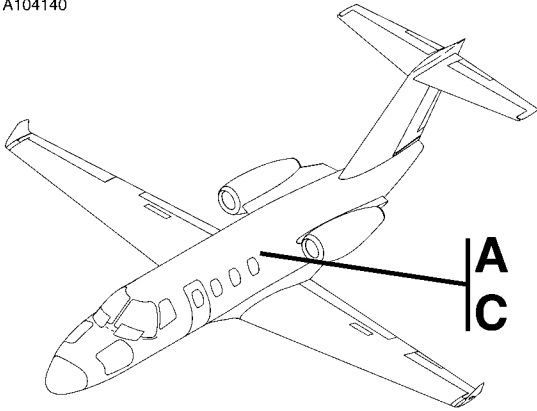
CESSNA®  
**MODEL 525 (SERIALS -0685 AND -0800 AND ON)**  
 ILLUSTRATED PARTS CATALOG

FIG ITEM	PART NUMBER	1 2 3 4 5 6 7	NOMENCLATURE	UNITS PER ASSY
01 75	4316002-42		. PLACARD-LH BELTED TOILET INSTRUCTIONS (DOOR) . . . . .	01 R

- ITEM NOT ILLUSTRATED

CESSNA®  
**MODEL 525 (SERIALS -0685 AND -0800 AND ON)**  
 ILLUSTRATED PARTS CATALOG

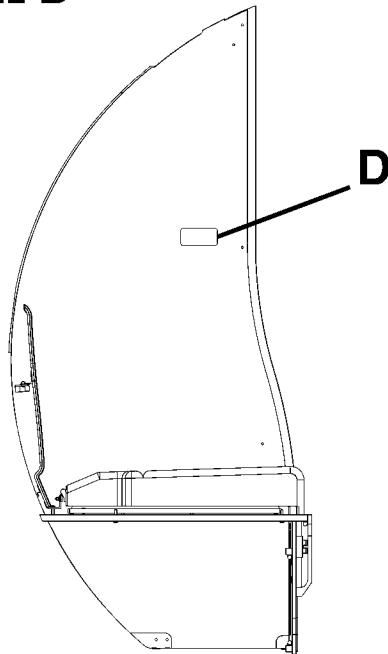
A104140



**FOR TAXI, TAKEOFF, AND LANDING:  
 STOW CURTAIN;  
 CLOSE ALL CABINET DOORS AND DRAWERS;  
 FASTEN SHOULDER HARNESS.  
 LIFE VEST IN SEAT CABINET.**

**3**  
 ▲ **DETAIL D**

**DETAIL A**  
 Looking Aft



**NO SMOKING IN LAVATORY.  
 STOW CURTAIN  
 FOR TAXI, TAKEOFF, AND LANDING.**

**1**  
 ▲ **DETAIL B**

**NO SMOKING IN LAVATORY.  
 LATCH SLIDING DOOR OPEN  
 FOR TAXI, TAKEOFF, AND LANDING.**

**2**  
 ▲ **DETAIL B**

**DETAIL C**

Looking Forward

▲ Required for Dispatch

ROMANIAN INTERIOR PLACARDS AND MARKINGS - DIVIDERS  
 FIGURE 02 (SHEET 1)

6310T1168  
 A6319T1649  
 C6319T1650

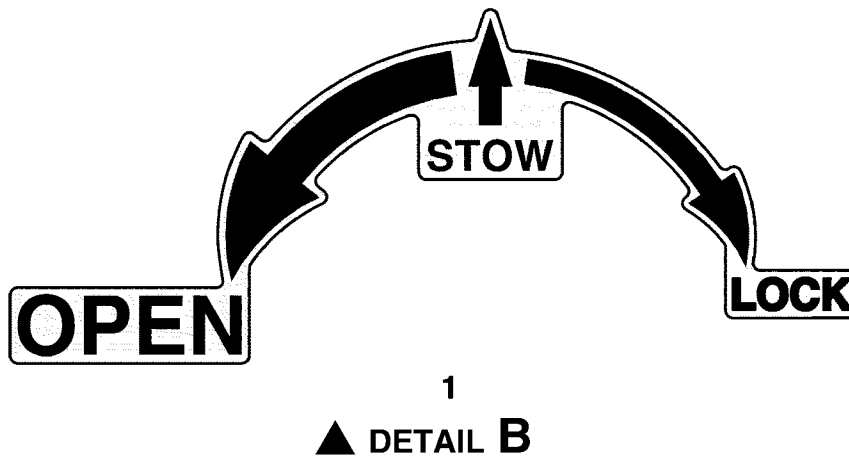
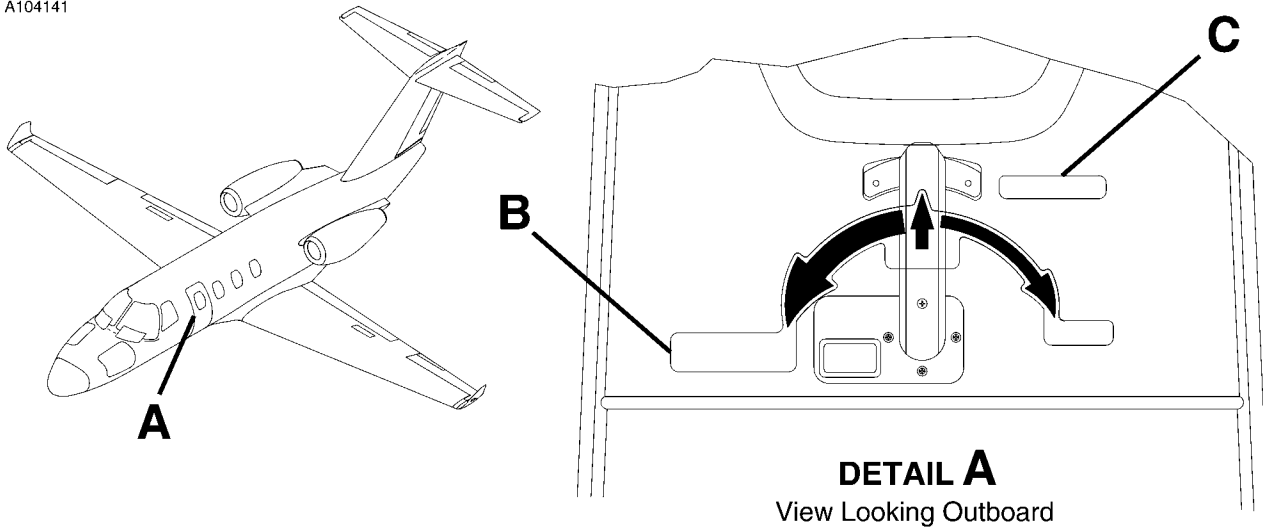
CESSNA®  
**MODEL 525 (SERIALS -0685 AND -0800 AND ON)**  
 ILLUSTRATED PARTS CATALOG

FIG ITEM	PART NUMBER	NOMENCLATURE	UNITS PER ASSY		
			1	2	3
02					
-		ROMANIAN INTERIOR PLACARDS AND MARKINGS - DIVIDERS	0955	& ON	RF R
1	4316002-25	. PLACARD-AFT CABIN INSTRUCTIONS (CURTAIN) . . . . .			01 R
2	4316002-41	. PLACARD-AFT CABIN INSTRUCTIONS (DOOR) . . . . .			01 R
3	4316002-29	. PLACARD-AFT CABIN INSTRUCTIONS . . . . .			01 R

- ITEM NOT ILLUSTRATED

CESSNA®  
MODEL 525 (SERIALS -0685 AND -0800 AND ON)  
ILLUSTRATED PARTS CATALOG

A104141



**TO RELEASE: PUSH BUTTON,  
PULL TRIGGER ON HANDLE.**

2  
▲ DETAIL C

▲ Required for Dispatch

6310T1168  
A6319T1645

ROMANIAN INTERIOR PLACARDS AND MARKINGS - CABIN DOOR  
FIGURE 01 (SHEET 1)



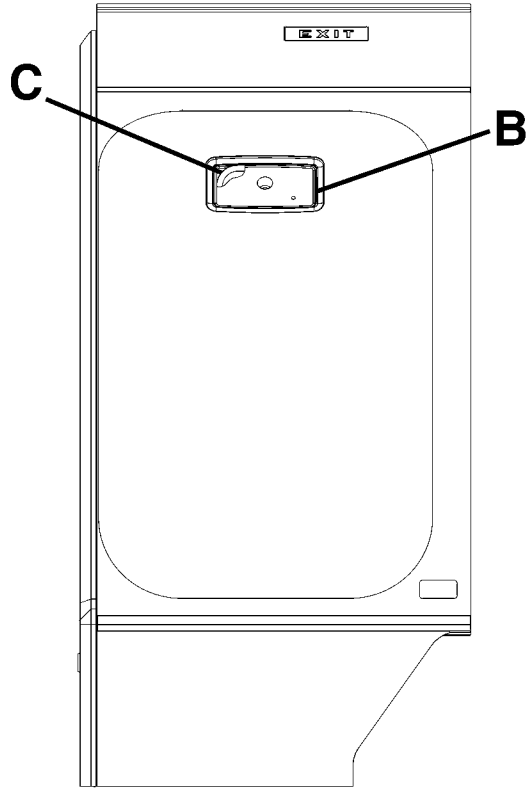
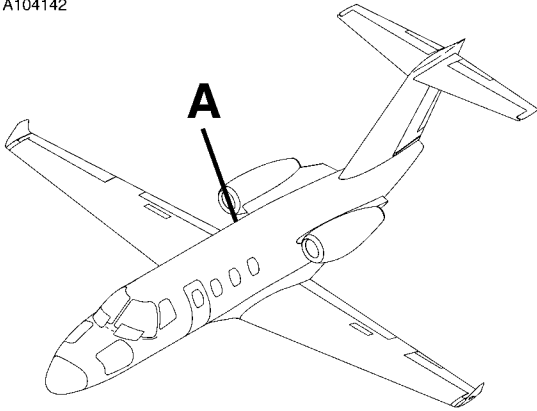
CESSNA®  
**MODEL 525 (SERIALS -0685 AND -0800 AND ON)**  
 ILLUSTRATED PARTS CATALOG

FIG ITEM	PART NUMBER	1 2 3 4 5 6 7	NOMENCLATURE	UNITS PER ASSY		
01						
-			ROMANIAN INTERIOR PLACARDS AND MARKINGS - CABIN DOOR	0955	& ON	RF R
1	4316002-18		. DECAL-HANDLE OPERATION . . . . .			01 R
2	4316002-19		. DECAL-PUSH BUTTON . . . . .			01 R

- ITEM NOT ILLUSTRATED

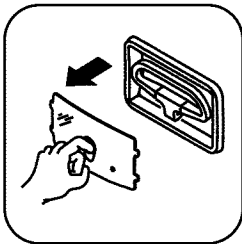
CESSNA®  
**MODEL 525 (SERIALS -0685 AND -0800 AND ON)**  
 ILLUSTRATED PARTS CATALOG

A104142



1

▲ **DETAIL E**



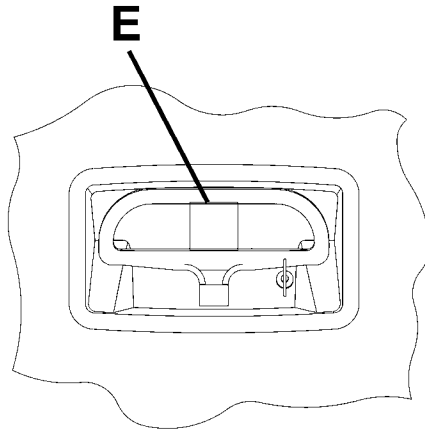
2

▲ **DETAIL D**

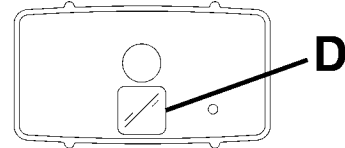
◀ **FWD**

**DETAIL A**

View Looking Outboard



**DETAIL C**



**DETAIL B**

▲ Required for Dispatch

6310T1168  
 A6310T1180  
 B6310T1180  
 C6310T1180

ROMANIAN INTERIOR PLACARDS AND MARKINGS - ESCAPE HATCH  
 FIGURE 02 (SHEET 1)

CESSNA®  
**MODEL 525 (SERIALS -0685 AND -0800 AND ON)**  
 ILLUSTRATED PARTS CATALOG

FIG ITEM	PART NUMBER	1 2 3 4 5 6 7	NOMENCLATURE	UNITS PER ASSY		
02						
-			ROMANIAN INTERIOR PLACARDS AND MARKINGS - ESCAPE HATCH	0955	& ON	RF R
1	4316002-27		. PLACARD-ESCAPE HATCH HANDLE INSTRUCTIONS . . . . .			01 R
2	4316002-26		. PLACARD-ESCAPE HATCH COVER INSTRUCTIONS . . . . .			01 R

- ITEM NOT ILLUSTRATED



**CHAPTER**

**21**

**AIR CONDITIONING**



CESSNA®  
**MODEL 525 (SERIALS -0685 AND -0800 AND ON)**  
 ILLUSTRATED PARTS CATALOG

<b>CHAPTER SECTION SUBJECT</b>		<b>NUMBER OF PAGES</b>	<b>DATE</b>
21 - TITLE			
21 - LIST OF EFFECTIVE PAGES			
21 - RECORD OF TEMPORARY REVISIONS			
21 - TABLE OF CONTENTS			
21-10-00	Figure 01	2	Nov 1/2013
21-20-00	Figure 01	2	Nov 1/2013
21-20-00	Figure 02	2	Nov 1/2013
21-20-00	Figure 03	4	Nov 1/2013
21-20-01	Figure 01	2	Nov 1/2013
21-20-01	Figure 02	4	Jul 1/2014
21-21-00	Figure 01	2	Nov 1/2013
21-21-00	Figure 02	4	Oct 1/2014
21-21-00	Figure 03	2	Jun 1/2016
21-21-01	Figure 01	2	Nov 1/2013
21-22-00	Figure 01	2	Dec 1/2017
21-30-00	Figure 01	2	Dec 1/2017
21-30-00	Figure 02	2	Nov 1/2013
21-50-00	Figure 01	2	Dec 1/2017
21-50-01	Figure 01	2	Jul 1/2014
21-50-01	Figure 02	2	Nov 1/2013
21-50-02	Figure 01	4	Nov 1/2013
21-60-00	Figure 01	2	Nov 1/2013







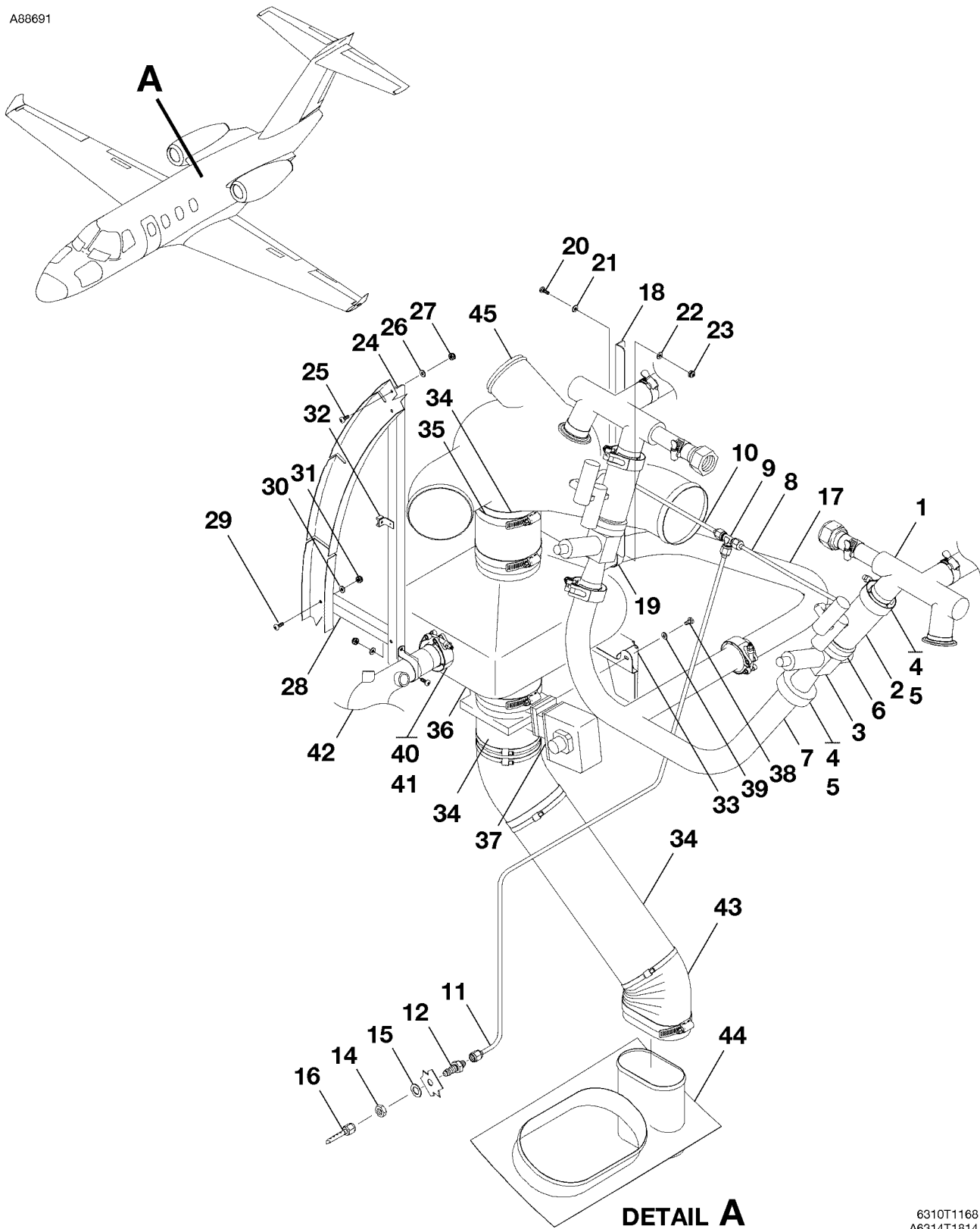


CESSNA®  
**MODEL 525 (SERIALS -0685 AND -0800 AND ON)**  
 ILLUSTRATED PARTS CATALOG

<u>SUBJECT</u>	<u>CHAPTER</u>	<u>FIGURE</u>	<u>EFFECTIVITY</u>	
	<u>SECTION</u>		<u>START</u>	<u>END</u>
	<u>SUBJECT</u>			
PRESSURIZATION COMPRESSION SYSTEM	21-10-00	01		
RAM AIR SYSTEM	21-20-00	01		
RAM AIR INLET INSTALLATION	21-20-00	02		
AVIONICS COOLING SYSTEM	21-20-00	03		
AIR DISTRIBUTION SYSTEM - UNDERFLOOR AFT	21-20-01	01		
AIR DISTRIBUTION SYSTEM - UNDERFLOOR FORWARD	21-20-01	02		
OVERHEAD AIR DISTRIBUTION SYSTEM	21-21-00	01		
AIR DISTRIBUTION SYSTEM - FLIGHT COMPARTMENT	21-21-00	02		
AIR DISTRIBUTION SYSTEM - CABIN SIDEWALLS	21-21-00	03		
OVERHEAD AIR DISTRIBUTION SYSTEM DUCTING	21-21-01	01		
FAN HOUSING ASSEMBLY - WINDSHIELD AIR	21-22-00	01		
CABIN PRESSURIZATION SYSTEM	21-30-00	01		
EMERGENCY PRESSURIZATION SYSTEM	21-30-00	02		
AIR CONDITIONING SYSTEM	21-50-00	01		
EVAPORATOR INSTALLATION - FORWARD AIR CONDITIONER	21-50-01	01		
EVAPORATOR INSTALLATION - AFT AIR CONDITIONER	21-50-01	02		
COMPRESSOR AND CONDENSER INSTALLATION	21-50-02	01		
TEMPERATURE CONTROL SYSTEM	21-60-00	01		

CESSNA®  
**MODEL 525 (SERIALS -0685 AND -0800 AND ON)**  
 ILLUSTRATED PARTS CATALOG

A88691



**DETAIL A**  
 PRESSURIZATION COMPRESSION SYSTEM  
 FIGURE 01 (SHEET 1)

6310T1168  
 A6314T1814

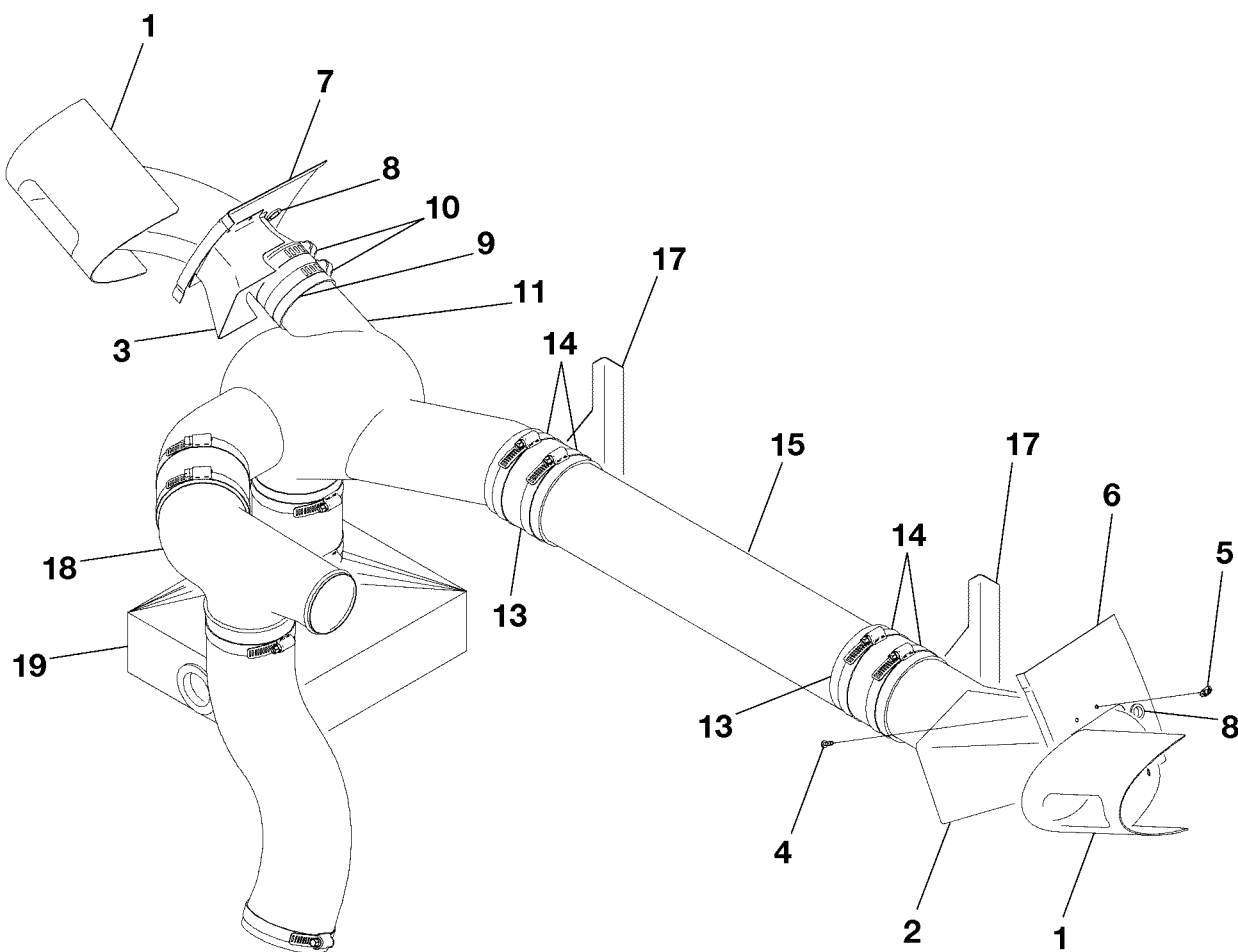
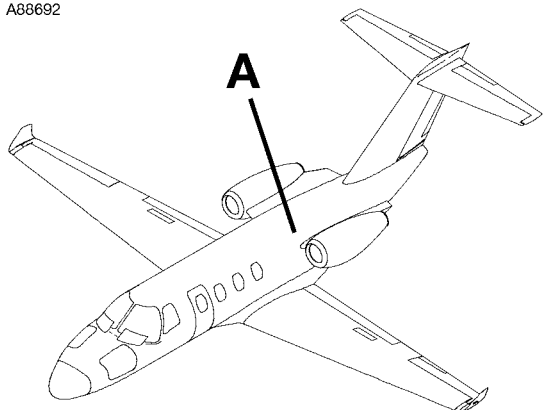
CESSNA®  
**MODEL 525 (SERIALS -0685 AND -0800 AND ON)**  
 ILLUSTRATED PARTS CATALOG

FIG ITEM	PART NUMBER	NOMENCLATURE	UNITS
			PER ASSY
01		PRESSURIZATION COMPRESSION SYSTEM	RF
-		. PNEUMATIC SYSTEM-BLEED AIR REFER TO 36-10-00 FIGURE 01 . . . . .	RF
1		. VALVE-PRESSURE SHUTOFF WITH REVERSE CHECK . . . . . V34163	02
2	5253-00-1	. VALVE-VARIABLE VENTURI . . . . . V34163	02
3	2601-21	. GASKET . . . . . V00624	05
4	24096-150C	. GASKET . . . . . V00624	01
- 4A	24346-150C	. CLAMP . . . . .	06
5	S1921-3	. COUPLING . . . . .	02
6	24540-100	. TUBE ASSY . . . . .	01
7	6314330-25	. TUBE ASSY . . . . .	01
8	6314330-32	. TUBE ASSY . . . . .	01
9	MS24402D4	. TEE . . . . .	01
10	6314330-33	. TUBE ASSY . . . . .	01
11	6314330-31	. TUBE ASSY-BLEED AIR FLOW CONTROL VALVE TO VENT TUBE . . . . .	01
12	AN832-4D	. UNION . . . . .	01
- 13	MS24393D4	. UNION-ALT FOR AN832-4D . . . . .	01
14	AN924-4D	. NUT . . . . .	01
15	NAS1149F0832P	. WASHER . . . . .	01
16	5617115-1	. TUBE ASSY-VENT . . . . .	01
17	6314330-3	. TUBE ASSY . . . . .	01
18	6314330-30	. SUPPORT . . . . .	01
19	AN742D24	. CLAMP . . . . .	02
		ATTACHING PARTS	
20	MS27039-1-08	. SCREW . . . . .	01
21	NAS1149F0332P	. WASHER . . . . .	01
22	NAS1149F0363P	. WASHER . . . . .	01
23	MS21045L3	. NUT . . . . .	01
		—*—	
24	6314330-12	. SUPPORT . . . . .	01
		ATTACHING PARTS	
25	MS27039-1-08	. SCREW . . . . .	02
26	NAS1149F0332P	. WASHER . . . . .	02
27	MS21045L3	. NUT . . . . .	02
		—*—	
28	6314330-13	. BRACE . . . . .	01
		ATTACHING PARTS	
29	MS27039-1-08	. SCREW . . . . .	02
30	NAS1149F0332P	. WASHER . . . . .	02
31	MS21045L3	. NUT . . . . .	02
		—*—	
32	S3528-5D	. ANCHOR ASSY . . . . .	01
33	6314330-16	. SUPPORT ASSY . . . . .	01
34	CM3213-16	. RUBBER-SLEEVE BKI . . . . .	AR
35	S1891-64S	. CLAMP . . . . .	06
36	10840A	. HEAT EXCHANGER-PRESSURIZATION . . . . . V78385	01
37	27241287-24	. VALVE-RAM AIR MODULATING . . . . .	01
		ATTACHING PARTS	
38	NAS1223-1L	. BOLT . . . . .	02
39	NAS1149F0332P	. WASHER . . . . .	02
		—*—	
40	5514120-100	. GASKET . . . . .	01
41	4573-150	. COUPLING . . . . . V98625	01
42		. AIR DISTRIBUTION SYSTEM-UNDERFLOOR AFT REFER TO 21-20-01 FIGURE 01 . . . . .	RF
43	6314330-27	. TUBE ASSY . . . . .	AR
44		. COMPRESSOR AND CONDENSOR INSTALLATION-REFER TO 21-50-02 FIGURE 01 . . . . .	RF
45		. RAM AIR SYSTEM-REFER TO 21-20-00 FIGURE 01 . . . . .	RF

- ITEM NOT ILLUSTRATED

CESSNA®  
MODEL 525 (SERIALS -0685 AND -0800 AND ON)  
ILLUSTRATED PARTS CATALOG

A88692



**DETAIL A**

RAM AIR SYSTEM  
FIGURE 01 (SHEET 1)

6310T1168  
A6314T1031

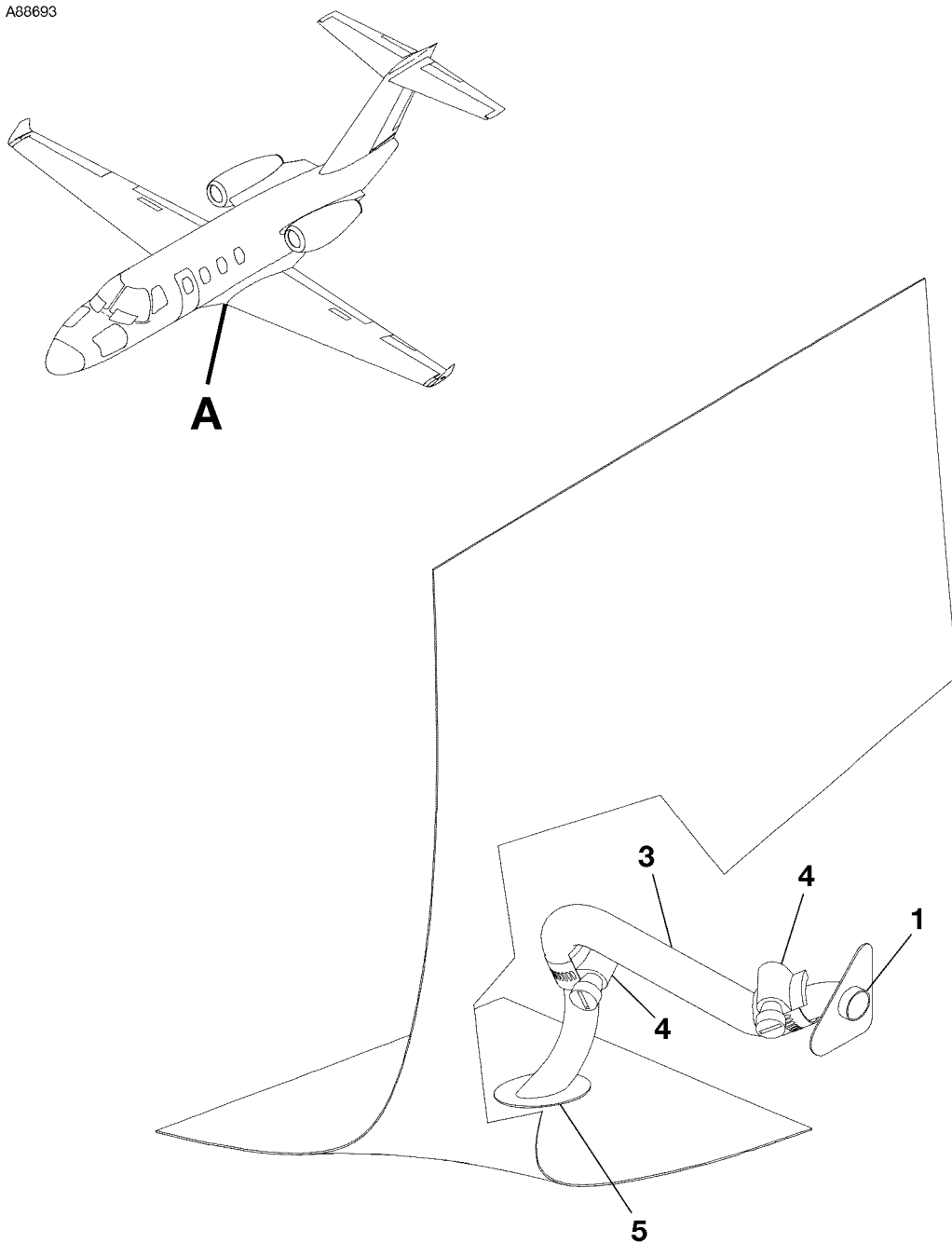
CESSNA®  
**MODEL 525 (SERIALS -0685 AND -0800 AND ON)**  
 ILLUSTRATED PARTS CATALOG

FIG ITEM	PART NUMBER	NOMENCLATURE	UNITS
			PER ASSY
		1 2 3 4 5 6 7	
01		RAM AIR SYSTEM	
-		. PYLON ACCESS PANELS AND RAM AIR DUCT-REFER TO 54-50-00	RF
1		. FIGURE 02 . . . . .	RF
2	6314354-16	. DUCT ASSY-LH . . . . .	01
3	6314354-14	. ADAPTER-RH . . . . .	01
		. ATTACHING PARTS	
4	MS27039-0808	. SCREW . . . . .	04
5	MS21059-08	. NUTPLATE . . . . .	04
		—*—	
6	6312015-5	. DOUBLER-LH . . . . .	01
7	6312015-6	. DOUBLER-RH . . . . .	01
8	S1050-2	. GROMMET . . . . .	AR
9	CM3213-12	. SLEEVE-BKI . . . . .	AR
		. ATTACHING PARTS	
10	NAS1922-0275-1	. CLAMP . . . . .	02
		—*—	
11	6314350-7	. PLENUM-RAM AIR INLET . . . . .	01
- 12	NH3000329-10	. PLENUM-RAM AIR INLET ALT FOR 6314350-7 . . . . . V00624	01
13	CM3213-16	. SLEEVE-BKI . . . . .	AR
		. ATTACHING PARTS	
14	S1891-64S	. CLAMP . . . . .	02
		—*—	
15	6314350-8	. TUBE . . . . .	01
- 16	NH3000486-10	. TUBE-ALT FOR 6314350-8 . . . . . V00624	01
17	6314350-2	. SUPPORT . . . . .	02
18		. WINDSHIELD ANTI-ICE SYSTEM AIR DUCTS-REFER TO 30-40-00 FIGURE	RF
		03 . . . . .	
19		. PRESSURIZATION COMPRESSION SYSTEM-REFER TO 21-10-00 FIGURE	RF
		01 . . . . .	

- ITEM NOT ILLUSTRATED

CESSNA®  
**MODEL 525 (SERIALS -0685 AND -0800 AND ON)**  
ILLUSTRATED PARTS CATALOG

A88693



**DETAIL A**

RAM AIR INLET INSTALLATION  
FIGURE 02 (SHEET 1)

6310T1168  
A6314T1182



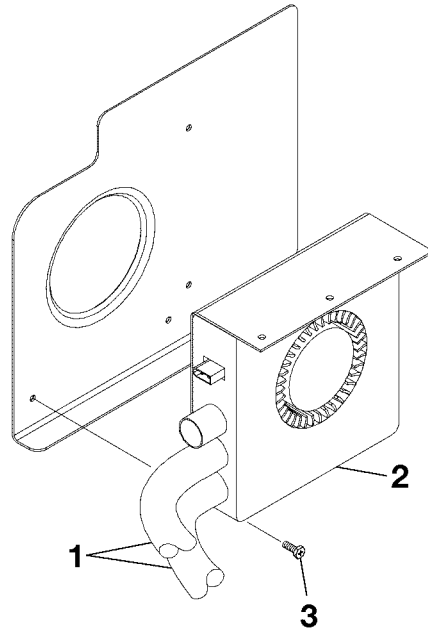
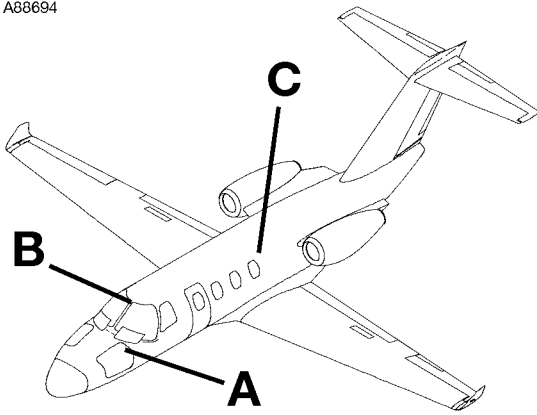
CESSNA®  
**MODEL 525 (SERIALS -0685 AND -0800 AND ON)**  
 ILLUSTRATED PARTS CATALOG

FIG ITEM	PART NUMBER	NOMENCLATURE	UNITS
			PER ASSY
02			
-		RAM AIR INLET INSTALLATION	RF
1	6314429-13	. TUBE ASSY-LH . . . . .	01
2	6314429-12	. TUBE ASSY-RH . . . . .	01
3	CM2909-6-150	. HOSE . . . . .	02
4	S2357-2S	. CLAMP . . . . .	04
5	6314429-7	. SCOOP ASSY . . . . .	02

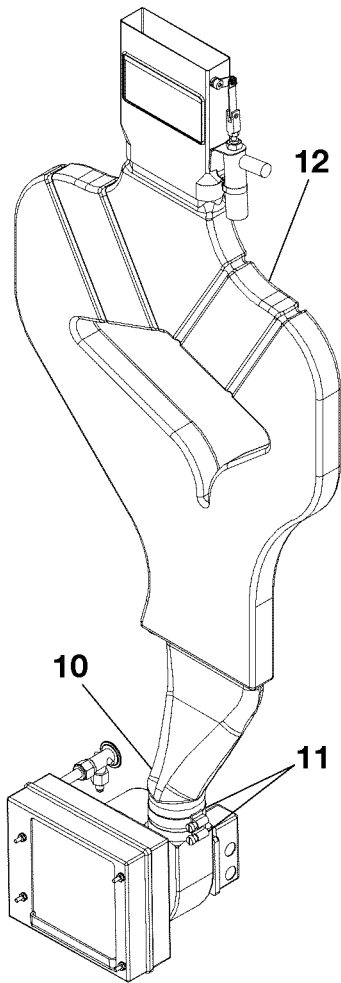
- ITEM NOT ILLUSTRATED

CESSNA®  
MODEL 525 (SERIALS -0685 AND -0800 AND ON)  
ILLUSTRATED PARTS CATALOG

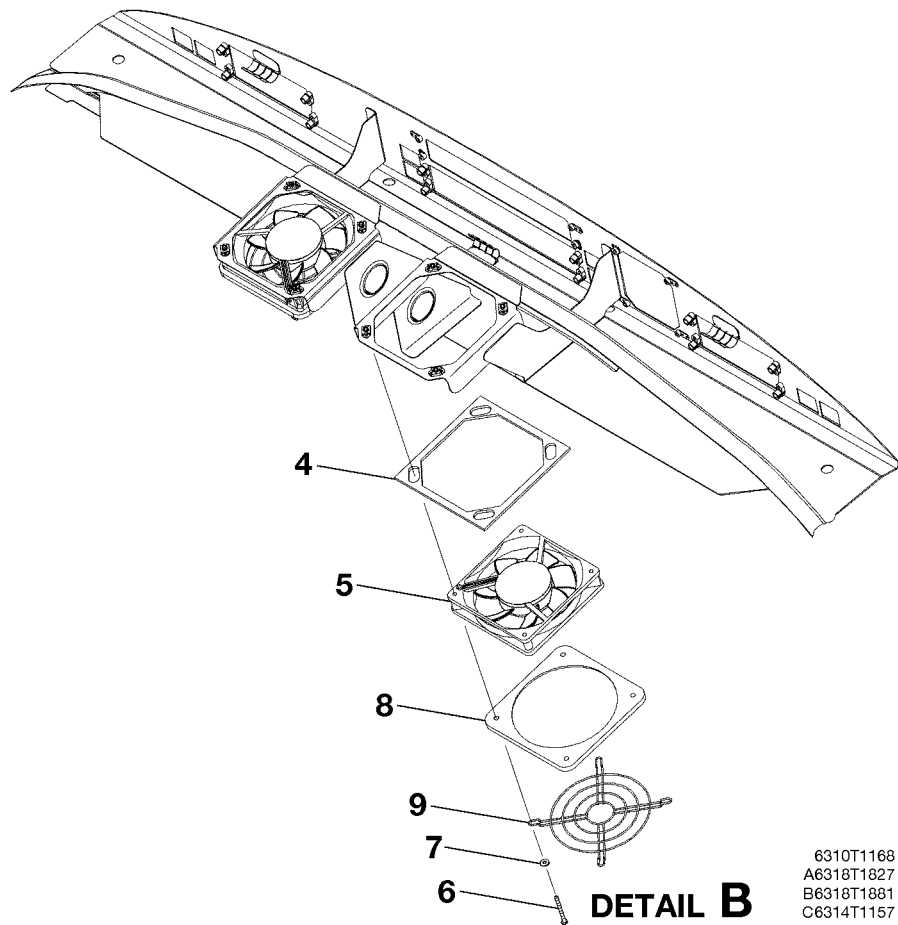
A88694



**DETAIL A**



**DETAIL C**



**DETAIL B**

6310T1168  
A6318T1827  
B6318T1881  
C6314T1157

AVIONICS COOLING SYSTEM  
FIGURE 03 (SHEET 1)

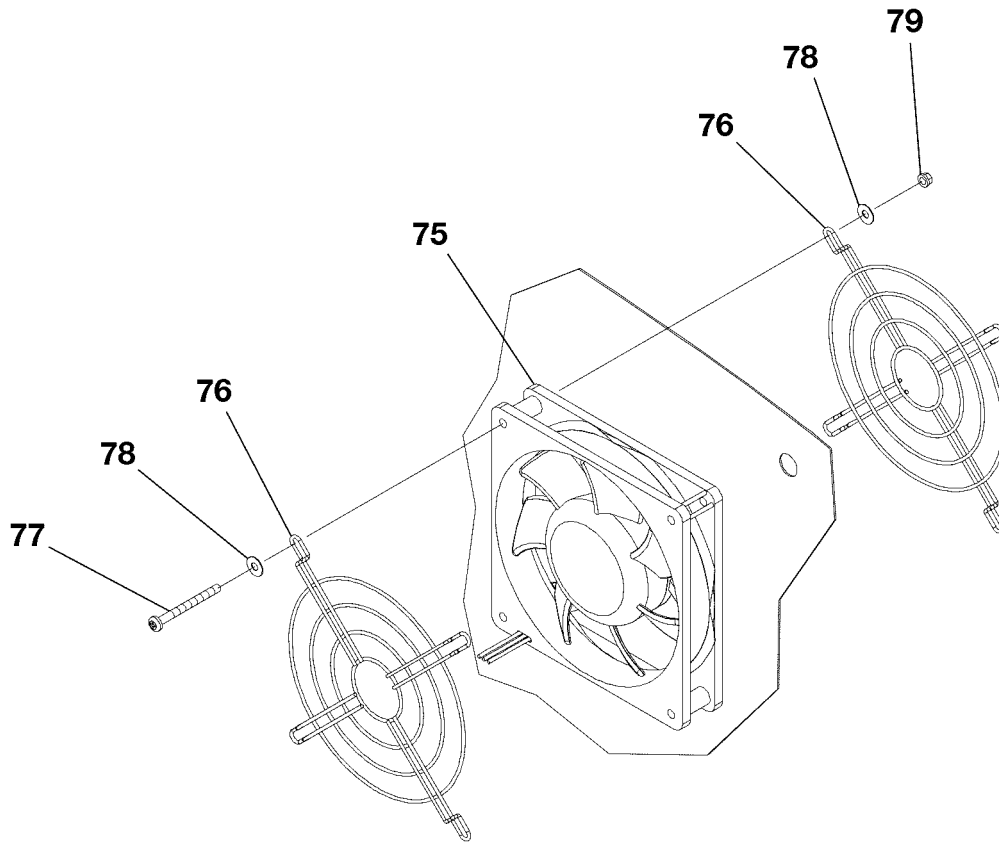
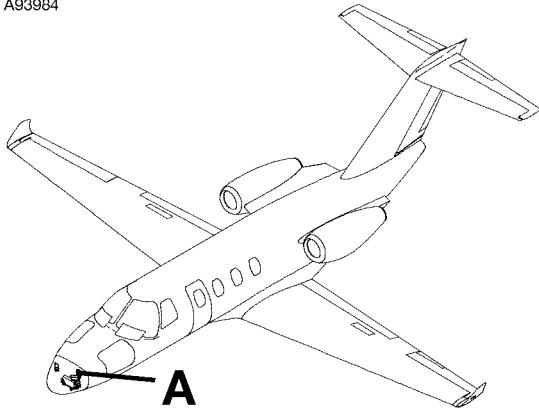
CESSNA®  
**MODEL 525 (SERIALS -0685 AND -0800 AND ON)**  
 ILLUSTRATED PARTS CATALOG

FIG ITEM	PART NUMBER	NOMENCLATURE	UNITS
			PER ASSY
03			
-		AVIONICS COOLING SYSTEM	RF
1	S1053E5W	. DUCT-AVIONICS COOLING BKI 65.0 IN LG . . . . .	AR
2	4000002	. COOLING FAN . . . . . VTRAI	01
		ATTACHING PARTS	
3	NAS1801-06-6	. SCREW . . . . .	06
		—*—	
4	4711870-13	. FAN GASKET . . . . .	02
5	9G1224A4M03	. FAN . . . . . V3CYG3	02
		ATTACHING PARTS	
6	NAS601-26	. SCREW . . . . .	04
7	NAS1149FN632P	. WASHER . . . . .	04
		—*—	
8	4419036-34	. FAN FLANGE . . . . .	02
9	5504FINGER-GUARD	. FINGER GUARD . . . . . V23936	02
10	CM3213-12	. RUBBER SLEEVE BKI 2.25 IN LG . . . . .	AR
11	S1891-48S	. CLAMP . . . . .	02
12		. VALVE ASSY-REFER TO 21-22-00 FIGURE 01 . . . . .	RF

- ITEM NOT ILLUSTRATED

CESSNA®  
**MODEL 525 (SERIALS -0685 AND -0800 AND ON)**  
ILLUSTRATED PARTS CATALOG

A93984



**DETAIL A**

AVIONICS COOLING SYSTEM  
FIGURE 03 (SHEET 2)

6310T1168  
A6314T1905

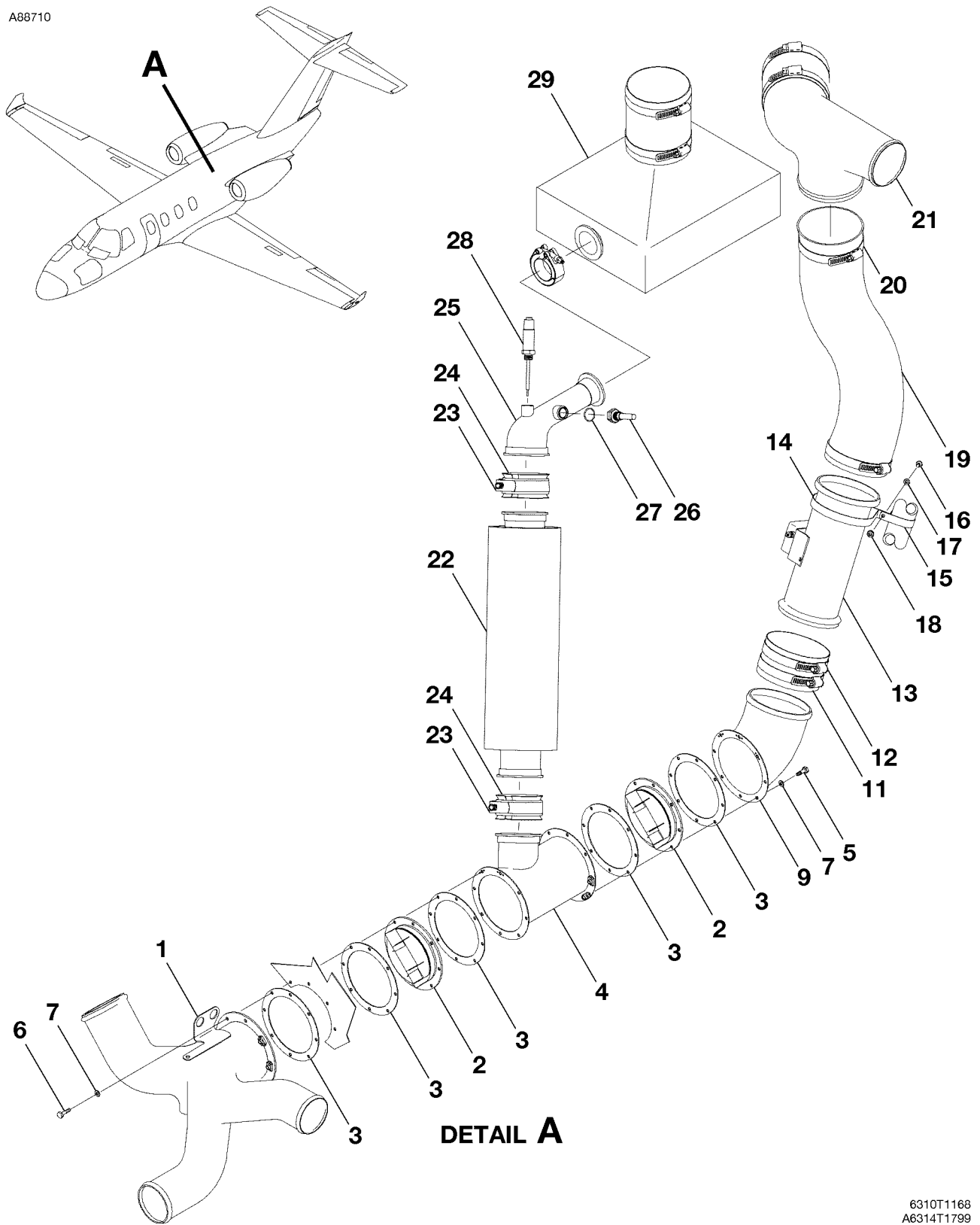
CESSNA®  
**MODEL 525 (SERIALS -0685 AND -0800 AND ON)**  
 ILLUSTRATED PARTS CATALOG

FIG ITEM	PART NUMBER	1 2 3 4 5 6 7	NOMENCLATURE	UNITS PER ASSY
03				
75	9G1224A4M03	.	24 V COOLING FAN . . . . . V3CYG3	01
76	5504FINGER-GUARD	.	FINGER GUARD . . . . . V23936	02
		.	ATTACHING PARTS	
77	MS35206-236	.	SCREW . . . . .	02
78	NAS1149FN616P	.	WASHER . . . . .	04
79	MS21042-06	.	NUT . . . . .	02
		.	—*—	

- ITEM NOT ILLUSTRATED

CESSNA®  
**MODEL 525 (SERIALS -0685 AND -0800 AND ON)**  
 ILLUSTRATED PARTS CATALOG

A88710



AIR DISTRIBUTION SYSTEM - UNDERFLOOR AFT  
 FIGURE 01 (SHEET 1)

6310T1168  
 A6314T1799

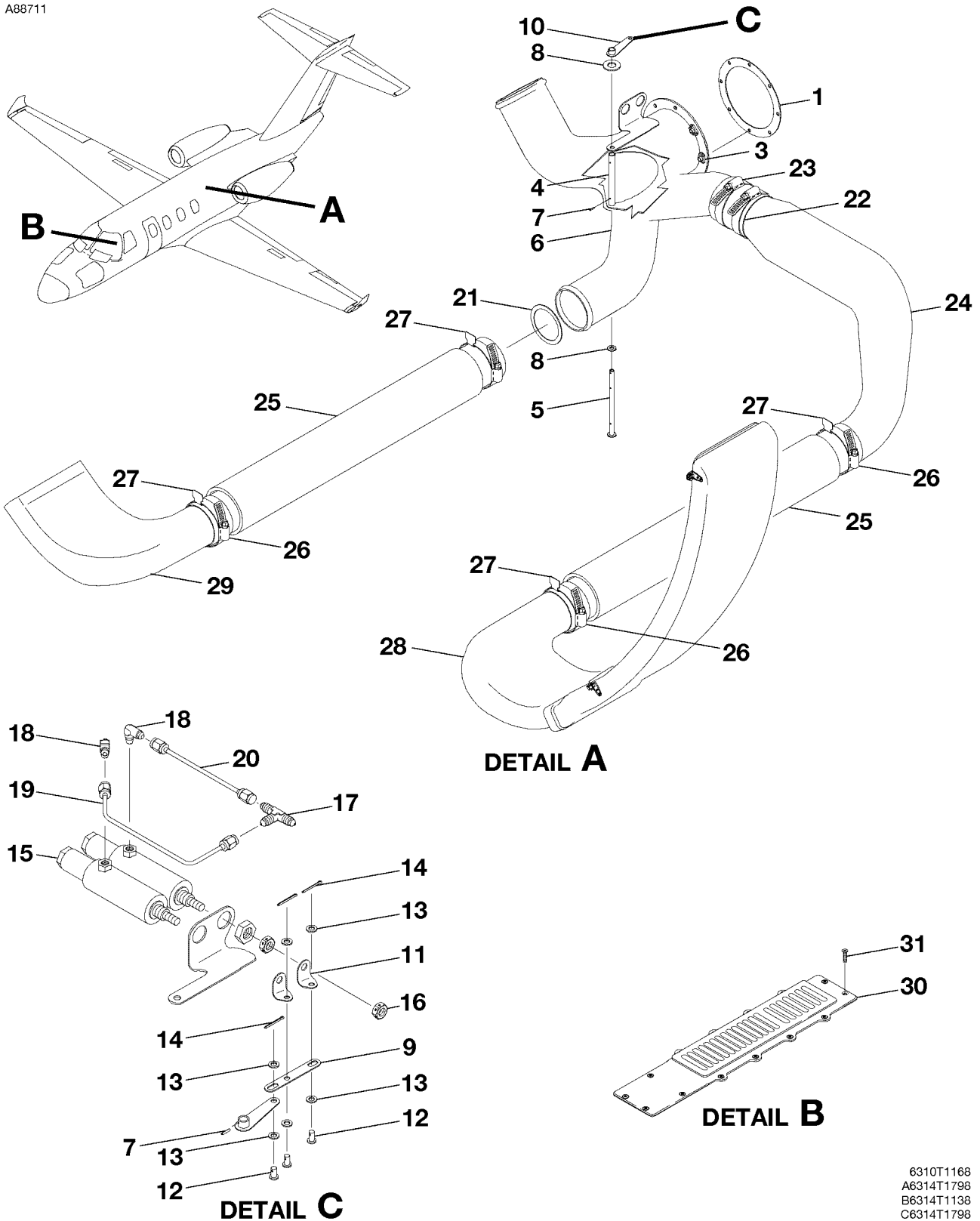
CESSNA®  
**MODEL 525 (SERIALS -0685 AND -0800 AND ON)**  
 ILLUSTRATED PARTS CATALOG

FIG ITEM	PART NUMBER	NOMENCLATURE	UNITS
			PER ASSY
01		AIR DISTRIBUTION SYSTEM - UNDERFLOOR AFT	RF
-		. AIR DISTRIBUTION SYSTEM-UNDERFLOOR FORWARD REFER TO 21-20-01	RF
1		. FIGURE 02 . . . . .	
2	9912078-9	. CHECK VALVE-AIR VENT . . . . .	02
3	6315100-23	. GASKET-AIR VENT CHECK VALVE . . . . .	05
4	6315100-24	. INLET ASSY-UNDERFLOOR AIR . . . . .	01
		. ATTACHING PARTS	
5	AN3-6A	. BOLT . . . . .	08
6	AN3-4A	. BOLT . . . . .	08
7	NAS1149F0332P	. WASHER . . . . .	16
		. * . . . .	
-	MS21075L3N	. . NUTPLATE . . . . .	07
8	6315100-21	. ELBOW ASSY-AIR INLET . . . . .	01
-	MS21075L3N	. . NUTPLATE . . . . .	03
10	CM3213-16	. SLEEVE . . . . .	AR
11		. ATTACHING PARTS	
12	S1891-64S	. CLAMP . . . . .	02
		. * . . . .	
13	0113-12	. BLOWER-UNDERFLOOR INLET AIR REFER TO NOTE 1 . . . . . V34163	01
		. ATTACHING PARTS	
14	MS21103D64	. CLAMP . . . . .	01
15	AN742D24	. CLAMP . . . . .	01
16	MS27039-1-08	. SCREW . . . . .	01
17	NAS1149F0332P	. WASHER . . . . .	01
18	MS21045L3	. NUT . . . . .	01
		. * . . . .	
19	CM3211-16B18.5	. DUCT-BKI REF 18.50 INCHES LONG . . . . .	AR
		. ATTACHING PARTS	
20	S1891-64S	. CLAMP . . . . .	02
		. * . . . .	
21		. WINDSHIELD ANTI-ICE SYSTEM AIR DUCTS-REFER TO 30-40-00 FIGURE	RF
		. 03 . . . . .	
22	6315101-1	. MUFFLER ASSY-PRESSURIZATION INLET . . . . .	01
		. ATTACHING PARTS	
23	U50-250SS	. COUPLING . . . . . V94581	02
24	SS4-250	. SLEEVE . . . . . V94581	02
		. * . . . .	
25	6315100-20	. TUBE ASSY-HEAT EXCHANGER TO AIR INLET . . . . .	01
26	9912085-3	. TEMPERATURE SENSOR . . . . .	01
27	AS3582-014	. O-RING-TEMPERATURE SENSOR . . . . .	01
28	1173T42-3	. SWITCH-TEMPERATURE . . . . . V98087	01
29		. PRESSURIZATION COMPRESSION SYSTEM-REFER TO 21-10-00 FIGURE	RF
		. 01 . . . . .	

NOTE 1—REFER TO MAINTENANCE MANUAL FOR SUPPLIERS PUBLICATION LIST.

CESSNA®  
**MODEL 525 (SERIALS -0685 AND -0800 AND ON)**  
 ILLUSTRATED PARTS CATALOG

A88711



**AIR DISTRIBUTION SYSTEM - UNDERFLOOR FORWARD**  
 FIGURE 02 (SHEET 1)

6310T1168  
 A6314T1798  
 B6314T1138  
 C6314T1798

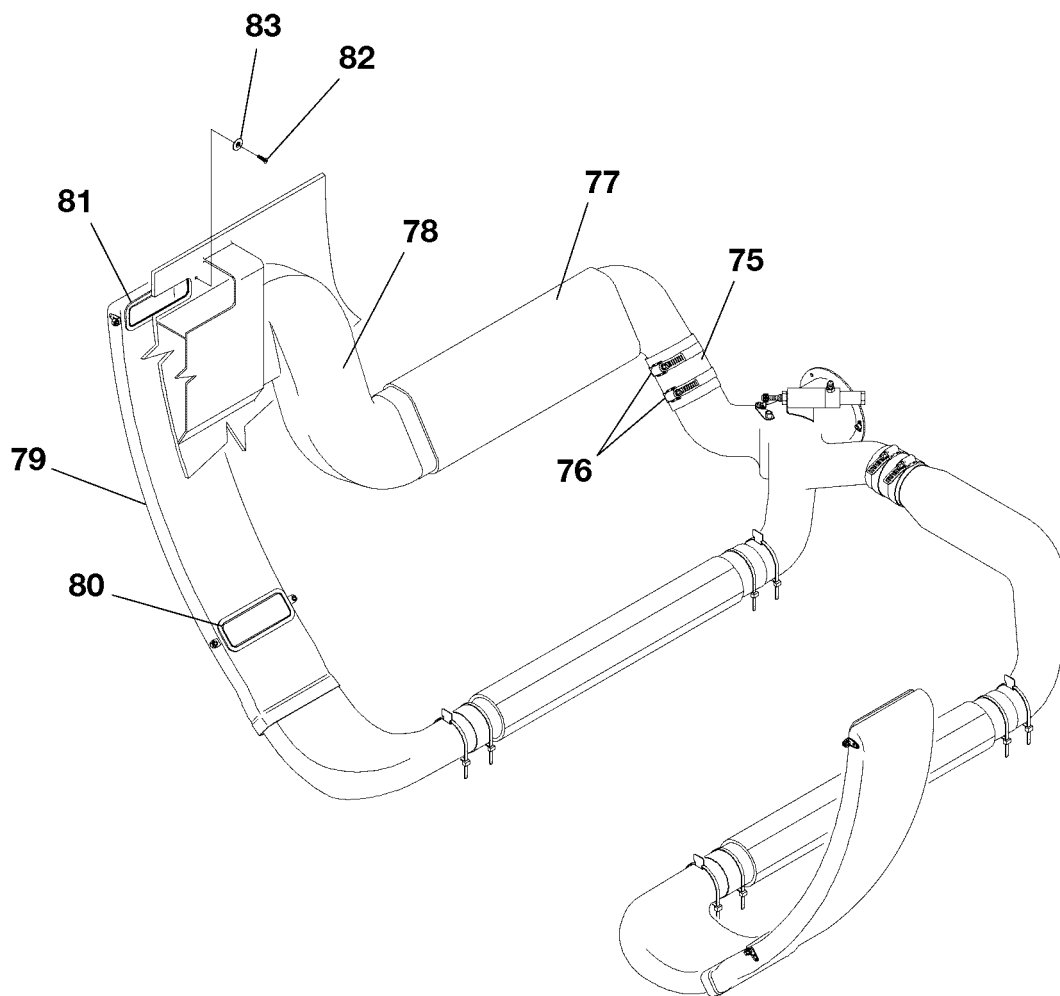
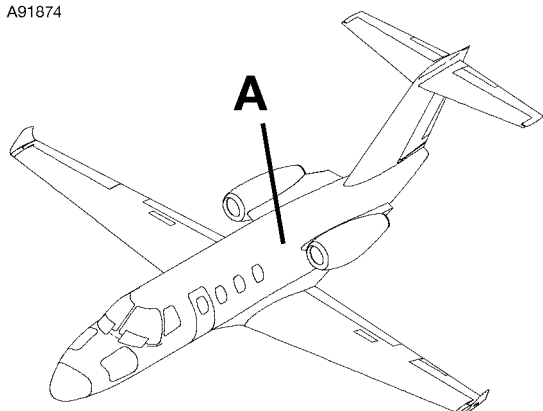


CESSNA®  
**MODEL 525 (SERIALS -0685 AND -0800 AND ON)**  
 ILLUSTRATED PARTS CATALOG

FIG ITEM	PART NUMBER	NOMENCLATURE	UNITS
			PER ASSY
02		AIR DISTRIBUTION SYSTEM - UNDERFLOOR FORWARD	RF
-		. AIR DISTRIBUTION SYSTEM-UNDERFLOOR AFT REFER TO 21-20-01	RF
1		. FIGURE 01 . . . . .	
- 2	6315110-59	. DVERTER DUCT ASSY . . . . .	01
3	MS21075L3N	. NUTPLATE . . . . .	06
4	6315110-7	. DOOR ASSY-AIR DIVERTER . . . . .	01
5	6315110-34	. PIVOT TUBE ASSY-DIVERTER DOOR . . . . .	01
6	6315110-56	. DIVERTER DUCT BOND . . . . .	01
7	MS16562-4	. PIN . . . . .	03
8	S1438-17	. WASHER . . . . .	02
9	6315110-43	. LINK-CONNECTOR . . . . .	01
10	6315110-44	. DOOR LINKAGE ASSY . . . . .	01
11	6319382-4	. PIVOT BRACKET-DIVERTER DOOR . . . . . ATTACHING PARTS	02
12	MS20392-2C7	. PIN . . . . .	03
13	NAS1149F0363P	. WASHER . . . . .	06
14	MS24665-132	. COTTER PIN . . . . . *—	03
15	0905LS1G	. AIR CYLINDER-DIVERTER DOOR . . . . . V19541	02
16	NAS1423-5	. NUT . . . . .	04
17	MS24402-2	. TEE . . . . .	01
18	MS20822-2	. ELBOW . . . . .	02
19	6315110-50	. TUBE ASSY . . . . .	01
20	6315110-51	. TUBE ASSY . . . . .	01
21	6315110-19	. ORIFICE PLATE . . . . .	01
22	CM3570-20	. COUPLING . . . . . ATTACHING PARTS	01
23	S1891-40S	. CLAMP . . . . . *—	02
24	6315110-6	. DUCT-AFT . . . . .	01
25	BWT7750-6	. DUCT-INSULATED . . . . . VK2962 ATTACHING PARTS	02
26	S1891-40S	. CLAMP . . . . . *—	02
27	6315110-24	. HOLDER . . . . .	02
28	6315110-23	. SIDE DUCT-LH . . . . .	01
29	6315110-22	. SIDE DUCT-RH . . . . .	01
30	6319045-3	. FLOOR REGISTER-BLACK . . . . . ATTACHING PARTS	01
31	MS24694-S54	. SCREW . . . . . *—	14

CESSNA®  
MODEL 525 (SERIALS -0685 AND -0800 AND ON)  
ILLUSTRATED PARTS CATALOG

A91874



**DETAIL A**

AIR DISTRIBUTION SYSTEM - UNDERFLOOR FORWARD  
FIGURE 02 (SHEET 2)

6310T1168  
A6314T1043

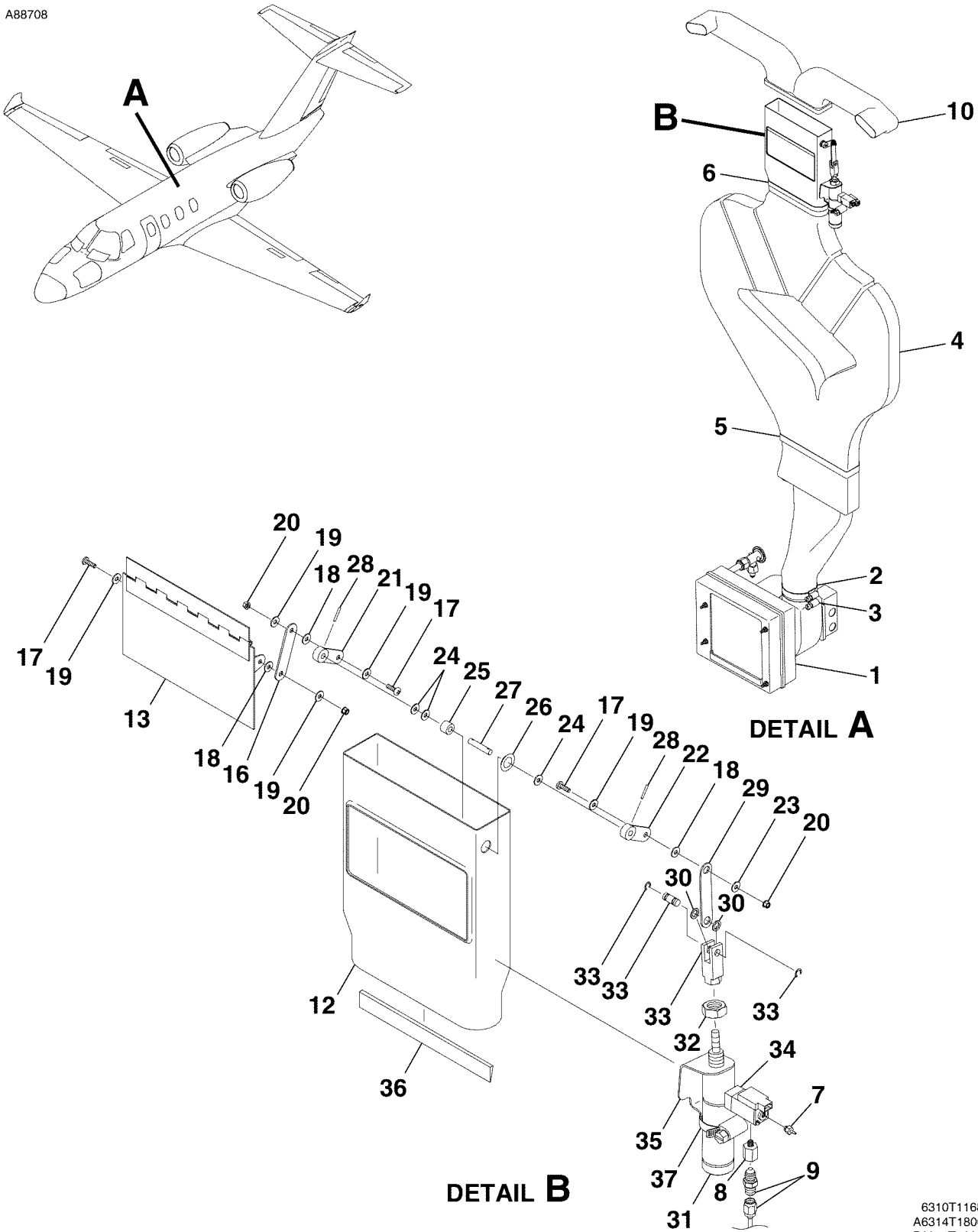
CESSNA®  
**MODEL 525 (SERIALS -0685 AND -0800 AND ON)**  
 ILLUSTRATED PARTS CATALOG

FIG ITEM	PART NUMBER	NOMENCLATURE	UNITS
			PER ASSY
02			
75	CM3612-12A4.0	. DUCT-RH . . . . .	01
76	NAS1922-0275-1	. CLAMP . . . . .	02 R
77	6319015-22	. AFT DUCT ASSY . . . . .	01
78	6319015-19	. AFT DUCT ADAPTER . . . . .	01
79	6319015-73	. SIDE DUCT ASSY . . . . .	02
		ATTACHING PARTS	
80	6319004-4	. GASKET-LWR . . . . .	01
81	6319004-5	. GASKET-UPR . . . . .	01
82	MS24693-S51	. SCREW . . . . .	04
83	S3420D1	. WASHER . . . . .	04
		—*—	

- ITEM NOT ILLUSTRATED

CESSNA®  
**MODEL 525 (SERIALS -0685 AND -0800 AND ON)**  
 ILLUSTRATED PARTS CATALOG

A88708



OVERHEAD AIR DISTRIBUTION SYSTEM  
 FIGURE 01 (SHEET 1)

6310T1168  
 A6314T1800  
 B6314T1801

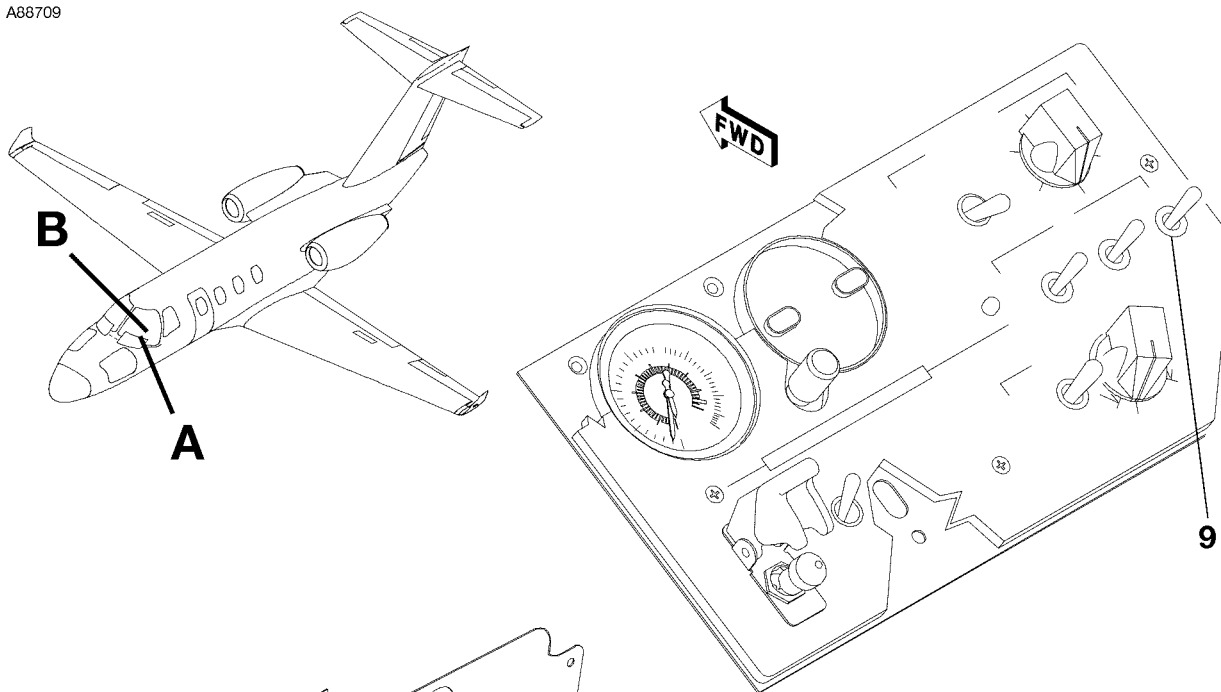
CESSNA®  
**MODEL 525 (SERIALS -0685 AND -0800 AND ON)**  
 ILLUSTRATED PARTS CATALOG

FIG ITEM	PART NUMBER	NOMENCLATURE	UNITS
			PER ASSY
01		OVERHEAD AIR DISTRIBUTION SYSTEM	RF
-		. EVAPORATOR INSTALLATION-AFT AIR CONDITIONER REFER TO 21-50-01	RF
1		. FIGURE 02. . . . .	
2	CM3213-12-2.25	. SLEEVE-BKI . . . . .	AR
3	S1891-48S	. CLAMP . . . . .	02
4	6315351-28	. WATER COLLECTOR ASSY. . . . .	01
5	MS3367-6-9	. STRAP-LWR END OF WATER COLLECTOR . . . . .	01
6	S3438-0525	. CLAMP-UPR END OF WATER COLLECTOR . . . . .	01
7	RF132	. RESTRICTOR . . . . . V53257	01
8	34	. ADAPTER . . . . . V19541	01
9		. PNEUMATIC SYSTEM-DOOR SEAL-REFER TO 36-10-00 FIGURE 03 . . . . .	RF
10	NH3000484-10	. AFT EVAPORATOR DUCT. . . . . V00624	01
-	6315350-50	. VALVE ASSY-OVERHEAD AIR DISTRIBUTION. . . . .	01
12	6315350-49	. VALVE . . . . .	01
13	6315350-51	. DOOR ASSY. . . . .	01
-	S1530-2LT5.90	. . HINGE HALF-DOOR . . . . .	01
-	MS20253P2-590	. . HINGE PIN . . . . .	01
16	6315350-26	. LINK . . . . .	01
17	MS35206-229	. SCREW . . . . .	03
18	NAS43DD1-7FC	. SPACER . . . . .	03
19	NAS1149CN632R	. WASHER . . . . .	06
20	MS21042-06	. NUT . . . . .	03
21	6315350-9	. PIVOT ASSY. . . . .	01
22	6315350-42	. PIVOT ASSY. . . . .	01
23	NAS1149F0416P	. WASHER . . . . .	01
24	NAS1149F0363P	. WASHER . . . . .	03
25	NAS75-3-008	. BUSHING . . . . .	01
26	6315350-48	. BOSS . . . . .	01
27	6315350-46	. ROD . . . . .	01
28	MS16562-6	. PIN . . . . .	02
29	6315350-52	. LINK . . . . .	01
30	NAS43DD4-5FC	. SPACER . . . . .	02
31	091R	. AIR CYLINDER . . . . . V19541	01
32	D9	. NUT-CYLINDER MOUNTING . . . . . V19541	01
33	D166-1	. ROD CLEVIS . . . . . V19541	01
34	D113204	. SOLENOID . . . . . V53257	01
35	6315350-53	. SUPPORT-CYLINDER . . . . .	01
36	6315350-36	. STIFFENER . . . . .	01
37	NAS1922-0125-3	. CLAMP . . . . .	01

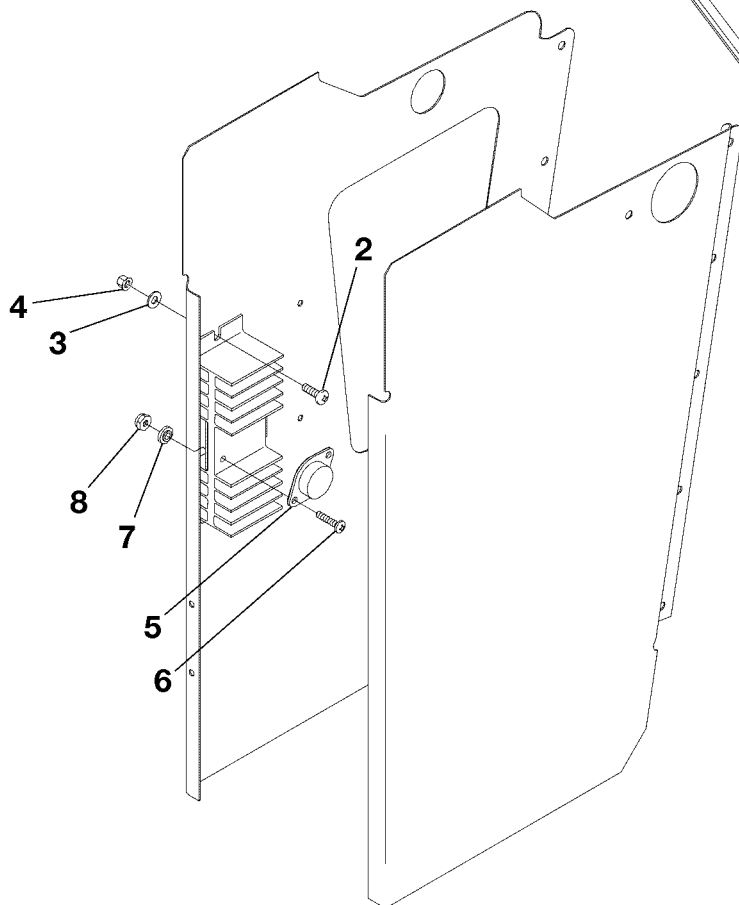
- ITEM NOT ILLUSTRATED

CESSNA®  
MODEL 525 (SERIALS -0685 AND -0800 AND ON)  
ILLUSTRATED PARTS CATALOG

A88709



**DETAIL A**



**DETAIL B**

AIR DISTRIBUTION SYSTEM - FLIGHT COMPARTMENT  
FIGURE 02 (SHEET 1)

6310T1168  
A6314T1016  
B6314T1071

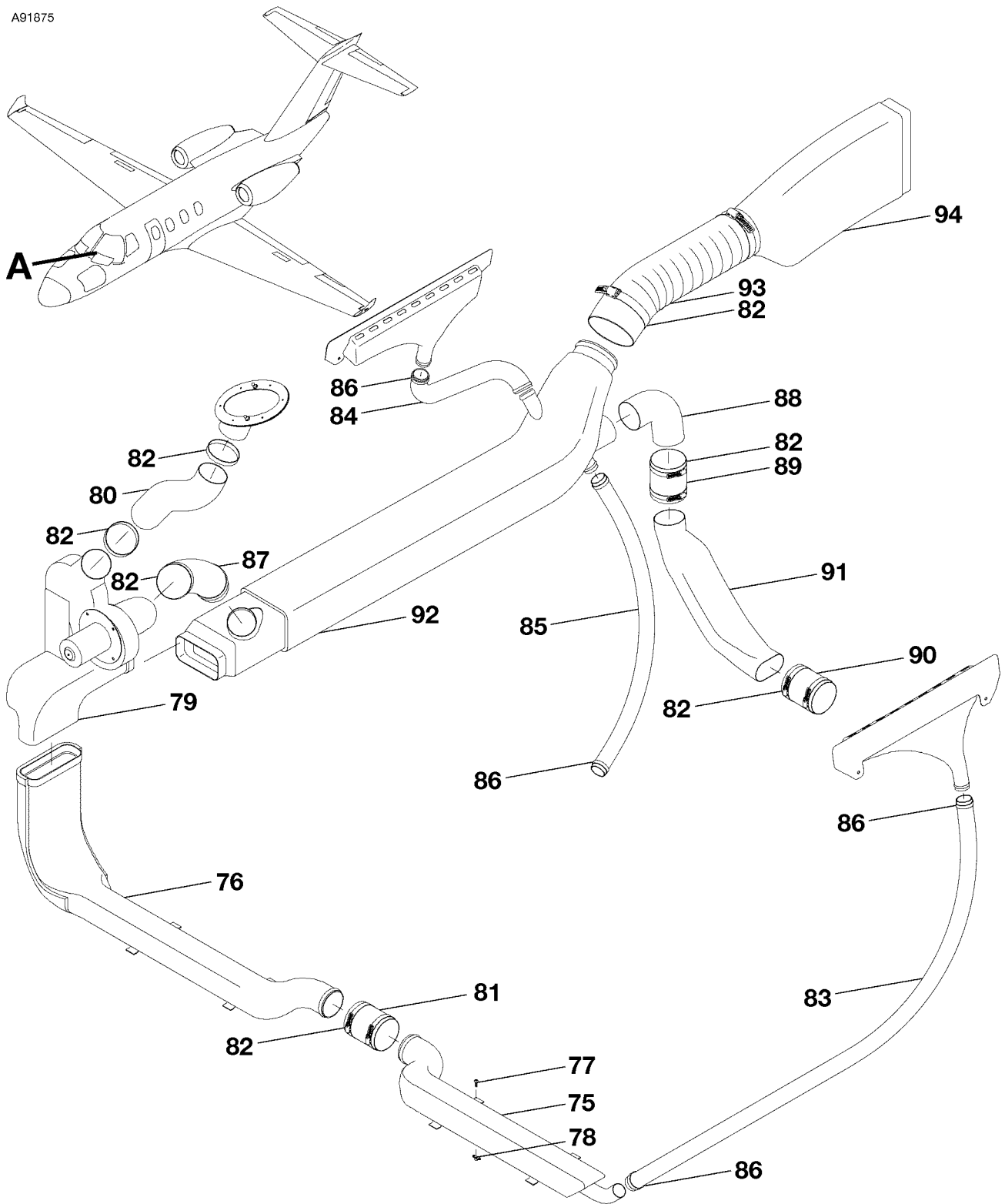
CESSNA®  
**MODEL 525 (SERIALS -0685 AND -0800 AND ON)**  
 ILLUSTRATED PARTS CATALOG

FIG ITEM	PART NUMBER	NOMENCLATURE	UNITS
			PER ASSY
02		AIR DISTRIBUTION SYSTEM - FLIGHT COMPARTMENT	RF
-		. REGULATOR ASSY-WINDSHIELD AIR FAN . . . . .	01
- 1	6318010-1	. ATTACHING PARTS	
2	MS35206-245	. SCREW . . . . .	03
3	NAS1149FN832P	. WASHER . . . . .	03
4	MS21042L08	. NUT . . . . .	03
		—*—	
5	2N3055	. . TRANSISTOR . . . . .	01
		. ATTACHING PARTS	
6	MS35206-231	. . SCREW . . . . .	02
7	S1527-1	. . WASHER . . . . .	02
8	MS21044N06	. . NUT . . . . .	02
		—*—	
9		. TEMPERATURE CONTROL SYSTEM-REFER TO 21-60-00 FIGURE 01 . . . . .	RF

- ITEM NOT ILLUSTRATED

CESSNA®  
MODEL 525 (SERIALS -0685 AND -0800 AND ON)  
ILLUSTRATED PARTS CATALOG

A91875



**DETAIL A**

AIR DISTRIBUTION SYSTEM - FLIGHT COMPARTMENT  
FIGURE 02 (SHEET 2)

6310T1168  
A6314T1868



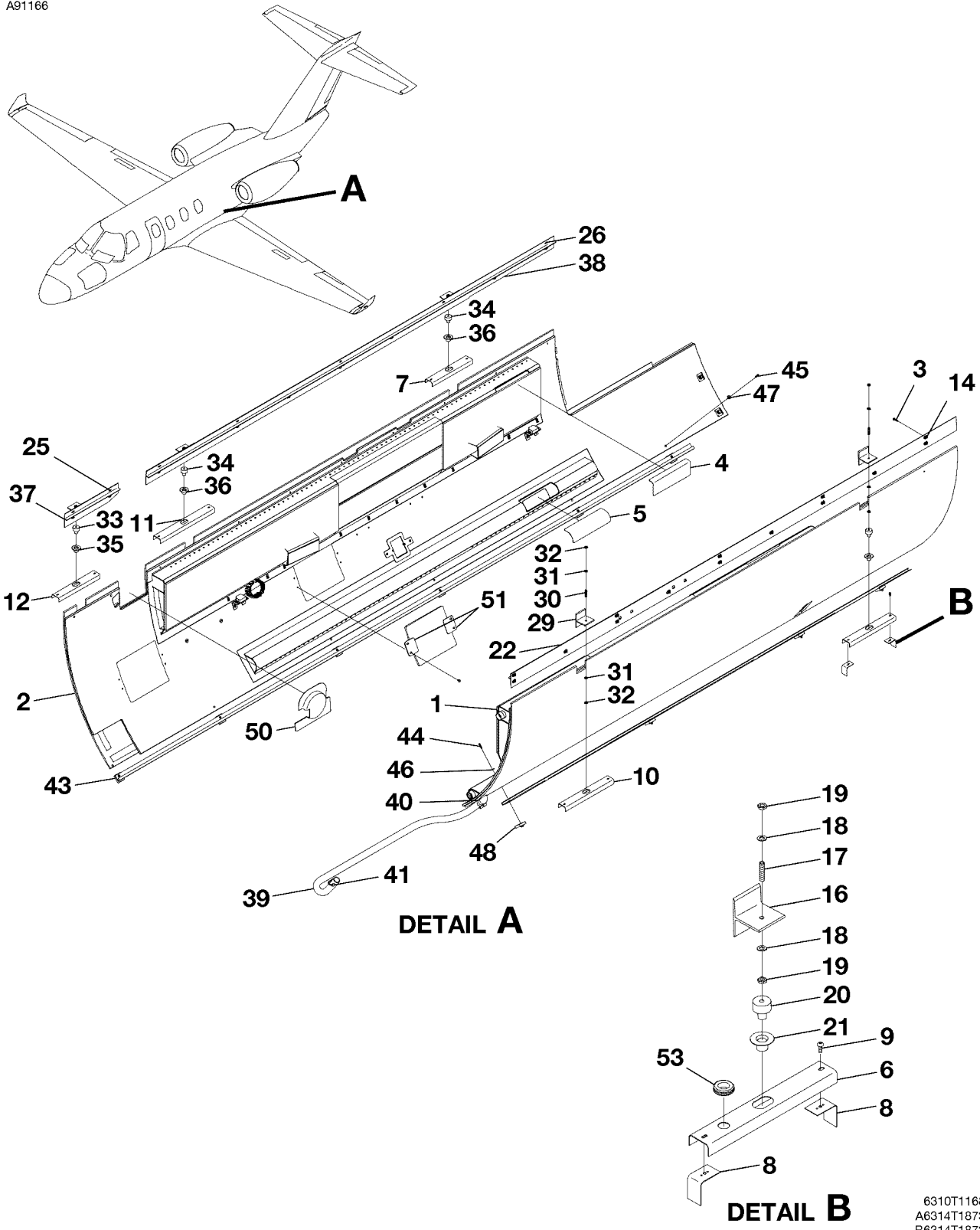
CESSNA®  
**MODEL 525 (SERIALS -0685 AND -0800 AND ON)**  
 ILLUSTRATED PARTS CATALOG

FIG ITEM	PART NUMBER	NOMENCLATURE	UNITS PER ASSY		
			1	2	3
02					
75	6319015-2	. DUCT ASSY-PILOT FOOT WARMER FSO 6319210-1 . . . . .	0800	0831	NP R
- 75A	6319210-1	. DUCT ASSY-PILOT FOOT WARMER . . . . .	0832	& ON	01 R
76	6319015-3	. DUCT ASSY-COPILOT FOOT WARMER FSO 6319210-2 . . . . .	0800	0831	NP R
- 76A	6319210-2	. DUCT ASSY-COPILOT FOOT WARMER . . . . . ATTACHING PARTS	0832	& ON	01 R
77	MS27039-1-07	. SCREW . . . . .			04
78	MS21075L3	. NUTPLATE . . . . . —*—			04
79		. FAN HOUSING ASSY-REFER TO 21-22-00 FIGURE 01 . . . . .			RF
80	6319015-30	. DUCT-WINDSHIELD AIR . . . . .			01
81	CM3570-16	. COUPLING . . . . .			01
82	NAS1922-0225-1	. CLAMP . . . . .			12
83	S1053K8T68.0	. DUCT-PILOT . . . . .			01
84	S1053K8T8.0	. DUCT-COPILOT . . . . .			01
85	6319015-31	. DUCT . . . . .			01
86	NAS1922-0125-1	. CLAMP . . . . .			06
87	S2258-7-2.50	. DUCT . . . . .			01
88	6319044-18	. ELBOW . . . . .			01
89	S2258-7-3.60	. DUCT . . . . .			01
90	CM3594-9-4.0	. DUCT . . . . .			01
91	6319044-19	. SIDE DUCT . . . . .			01
92	6319044-26	. SIDE DUCT ASSY . . . . .			01
93	CM3612-12B14.0	. DUCT . . . . .			01
94	6319015-10	. FWD DUCT ADAPTER . . . . .			01

- ITEM NOT ILLUSTRATED

CESSNA®  
**MODEL 525 (SERIALS -0685 AND -0800 AND ON)**  
 ILLUSTRATED PARTS CATALOG

A91166



AIR DISTRIBUTION SYSTEM - CABIN SIDEWALLS  
 FIGURE 03 (SHEET 1)

6310T1166  
 A6314T1873  
 B6314T1873

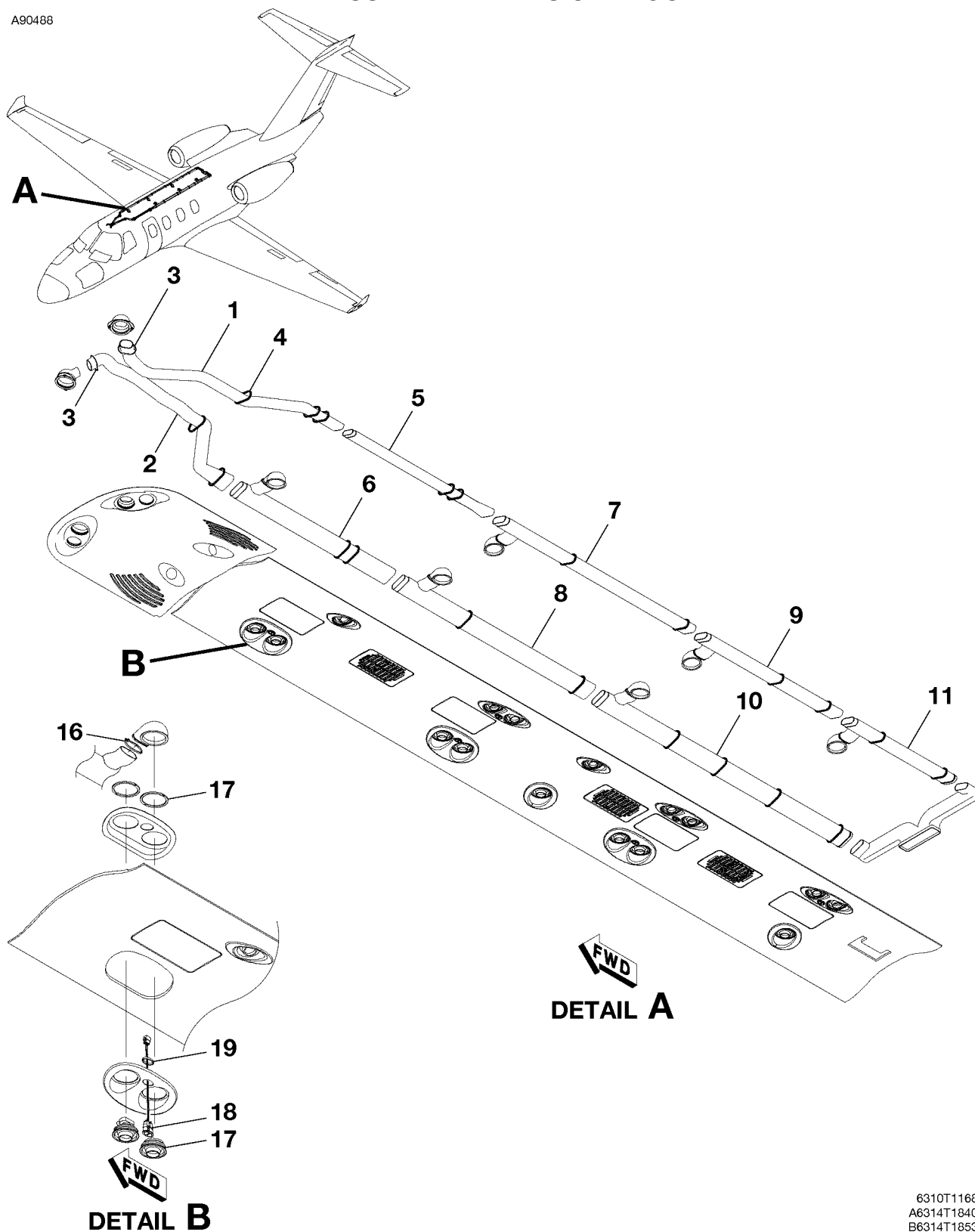
CESSNA®  
**MODEL 525 (SERIALS -0685 AND -0800 AND ON)**  
 ILLUSTRATED PARTS CATALOG

FIG ITEM	PART NUMBER	1 2 3 4 5 6 7	NOMENCLATURE	UNITS	
				PER	ASSY
03			AIR DISTRIBUTION SYSTEM - CABIN SIDEWALLS		RF
- 1	4711977-3		. DUCT ASSY-LH SIDEWALL . . . . .		01
2	4711977-4		. DUCT ASSY-RH SIDEWALL . . . . .		01
			ATTACHING PARTS		
3	MS35207-265		. SCREW . . . . .		02
			—*—		
4	6319018-12		. COVER . . . . .		02
5	6319018-40		. COVER . . . . .		02
6	6319018-92		. CHANNEL-LH FWD FSO 6319018-114 . . . . .	0800	0832 NP
- 6A	6319018-114		. CHANNEL-LH FWD . . . . .	0833	& ON 01
7	6319018-95		. CHANNEL-RH FWD FSO 6319018-115 . . . . .	0800	0832 NP
- 7A	6319018-115		. CHANNEL-RH FWD . . . . .	0833	& ON 01
8	6319018-27		. ANGLE ASSY . . . . .		10
			ATTACHING PARTS		
9	MS27039-0807		. SCREW . . . . .		01
			—*—		
10	6319018-94		. CHANNEL-LH AFT . . . . .		01
11	6319018-93		. CHANNEL-RH MID . . . . .		01
12	6319018-91		. CHANNEL-RH AFT FSO 6319018-116 . . . . .	0800	0832 NP
- 12A	6319018-116		. CHANNEL-RH AFT . . . . .	0833	& ON 01
- 13	4711942-14		. DUCT TEE ASSY-LH . . . . .		01
14	MS21075L3N		. NUTPLATE . . . . .		14
- 15	4711683-12		. TEE ASSY . . . . .		02
16	4711683-5		. TEE . . . . .		01
			ATTACHING PARTS		
17	6319018-34		. STUD . . . . .		01
18	NAS1149F0432P		. WASHER . . . . .		02
19	AN316-4R		. NUT . . . . .		02
			—*—		
20	B435-1		. BUSHING . . . . .	VEARC	02
21	6319051-1		. TUBE . . . . .		02
22	4711942-15		. TEE . . . . .		01
- 23	4711683-2		. DUCT TEE ASSY-RH FWD . . . . .		01
- 24	4711977-13		. DUCT TEE ASSY-RH AFT . . . . .		01
25	MS21075L3N		. NUTPLATE-FWD . . . . .		04
26	MS21075L3N		. NUTPLATE-AFT . . . . .		12
- 27	4711683-12		. TEE ASSY-FWD . . . . .		01
- 28	4711683-12		. TEE ASSY-AFT . . . . .		02
29	4711683-5		. TEE . . . . .		01
			ATTACHING PARTS		
30	6319018-34		. STUD . . . . .		01
31	NAS1149F0432P		. WASHER . . . . .		02
32	AN316-4R		. NUT . . . . .		02
			—*—		
33	B435-1		. BUSHING-FWD . . . . .	VEARC	01
34	B435-1		. BUSHING-AFT . . . . .	VEARC	02
35	6319051-1		. TUBE-FWD . . . . .		01
36	6319051-1		. TUBE-AFT . . . . .		02
37	4711683-4		. TEE-FWD . . . . .		01
38	4711977-14		. TEE-AFT . . . . .		01
39	CM3612-4A55.0		. DUCT-LH . . . . .		01
40	S1891-12		. CLAMP-LH . . . . .		01
41	MS3367-2-9		. STRAP-LH . . . . .		01
- 42	4711683-11		. CHANNEL-LH LOWER FSO 4711895-1 . . . . .	0685	0685 NP R
				0800	0914
- 42A	4711895-1		. CHANNEL-LH LOWER . . . . .	0915	& ON 01 R
43	4711683-10		. CHANNEL-RH LOWER . . . . .		01
			ATTACHING PARTS		
44	MS24693-S52		. SCREW-LH . . . . .		04
45	MS24693-S52		. SCREW-RH . . . . .		06
46	NAS1169C8		. WASHER-LH . . . . .		04
47	NAS1169C8		. WASHER-RH . . . . .		06
			—*—		
48	4711683-7		. CHANNEL SUPPORT ASSY. . . . .		10
- 49	MS21075-08N		. NUTPLATE . . . . .		01
50	6319018-50		. AOA COVER ASSY-RH . . . . .		01
51	4717609-2		. BRACKET ASSY-RH . . . . .		02
- 52	MS21075L06N		. NUTPLATE . . . . .		01
53	MS35489-17		. GROMMET-FSO MS35489-13 . . . . .		NP R
- 54	MS35489-13		. GROMMET . . . . .		01 R

- ITEM NOT ILLUSTRATED

CESSNA®  
**MODEL 525 (SERIALS -0685 AND -0800 AND ON)**  
 ILLUSTRATED PARTS CATALOG

A90488



OVERHEAD AIR DISTRIBUTION SYSTEM DUCTING  
 FIGURE 01 (SHEET 1)

6310T1168  
 A6314T1640  
 B6314T1853

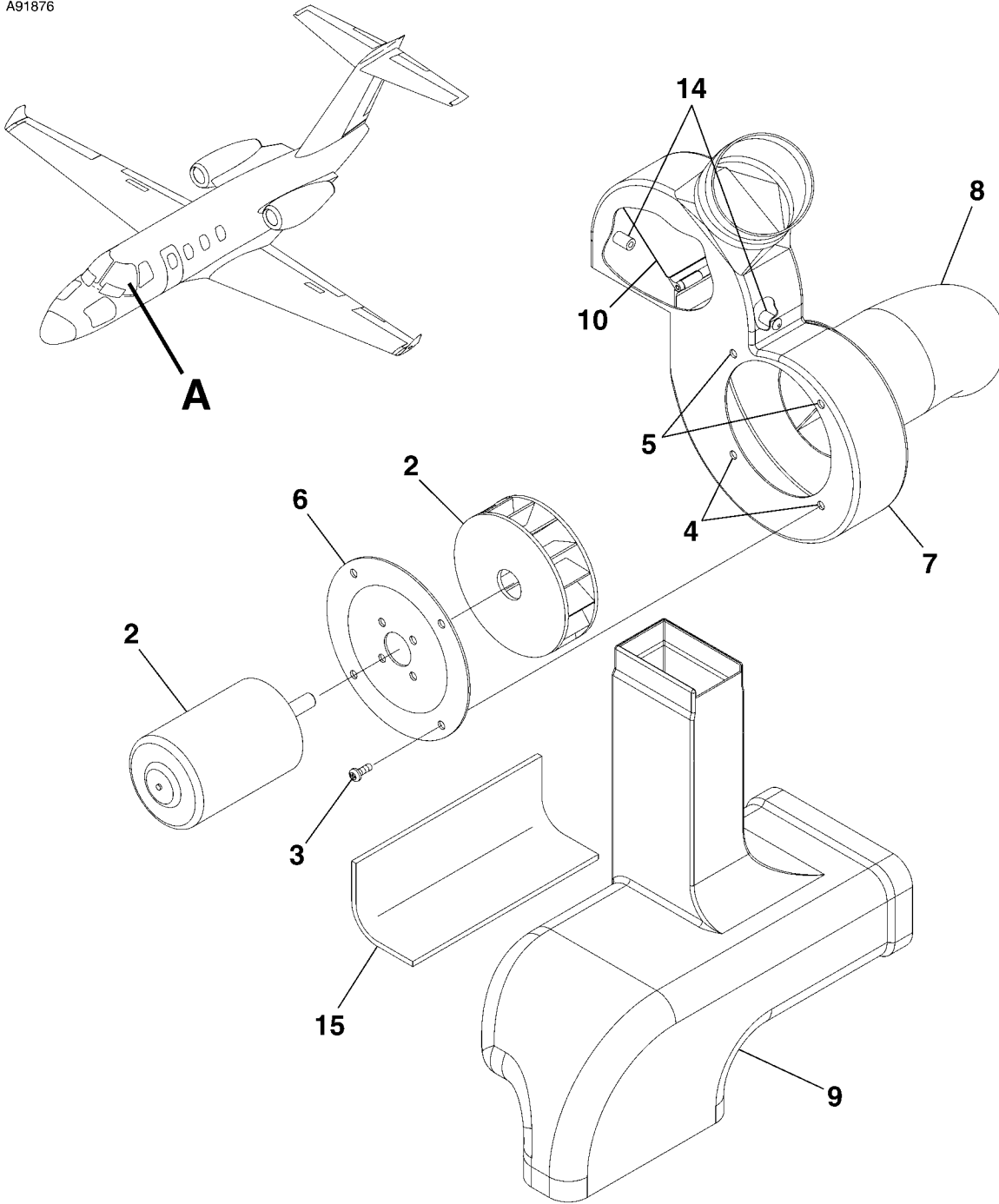
CESSNA®  
**MODEL 525 (SERIALS -0685 AND -0800 AND ON)**  
 ILLUSTRATED PARTS CATALOG

FIG ITEM	PART NUMBER	NOMENCLATURE	UNITS
			PER ASSY
01		OVERHEAD AIR DISTRIBUTION SYSTEM DUCTING	RF
-			
1	9912378-2	. DUCT-FLIGHT COMPARTMENT . . . . .	01
2	4711612-5	. DUCT-FLIGHT COMPARTMENT . . . . .	01
3	CB3019AA3N	. CABLE TIE . . . . . V66530	02
4	MS21266-2N	. GROMMET . . . . .	21
5	4711622-16	. DUCT-LH DOOR . . . . .	01
6	4711900-14	. DUCT ASSY-RH SFS . . . . .	01
7	4711900-9	. DUCT ASSY-LH MIDDLE . . . . .	01
8	4711900-10	. DUCT ASSY-RH MIDDLE . . . . .	01
9	4711900-11	. DUCT ASSY-LH AFT . . . . .	01
10	4711900-12	. DUCT ASSY-RH AFT . . . . .	01
11	4711900-13	. DUCT ASSY-LH VANITY . . . . .	01
- 12	PC7066-1	. . PLENUM CAP ASSY . . . . . V1XE65	01
- 13	MS3367-2-9	. . STRAP . . . . .	01
- 14	9912378-5	. . DUCT . . . . .	01
- 15	9912378-6	. . DUCT-RH AFT . . . . .	01
16	MS3367-2-9	. STRAP . . . . .	02
17	AV267404	. AIR VALVE . . . . . VBASC	06
18	SM4650-1	. SWITCH MODULE . . . . . V1XE65	06
19	12521-1	. SWITCH RETAINER . . . . . V1XE65	06

- ITEM NOT ILLUSTRATED

CESSNA®  
**MODEL 525 (SERIALS -0685 AND -0800 AND ON)**  
ILLUSTRATED PARTS CATALOG

A91876



**DETAIL A**

FAN HOUSING ASSEMBLY - WINDSHIELD AIR  
FIGURE 01 (SHEET 1)

6310T1168  
A6314T1869

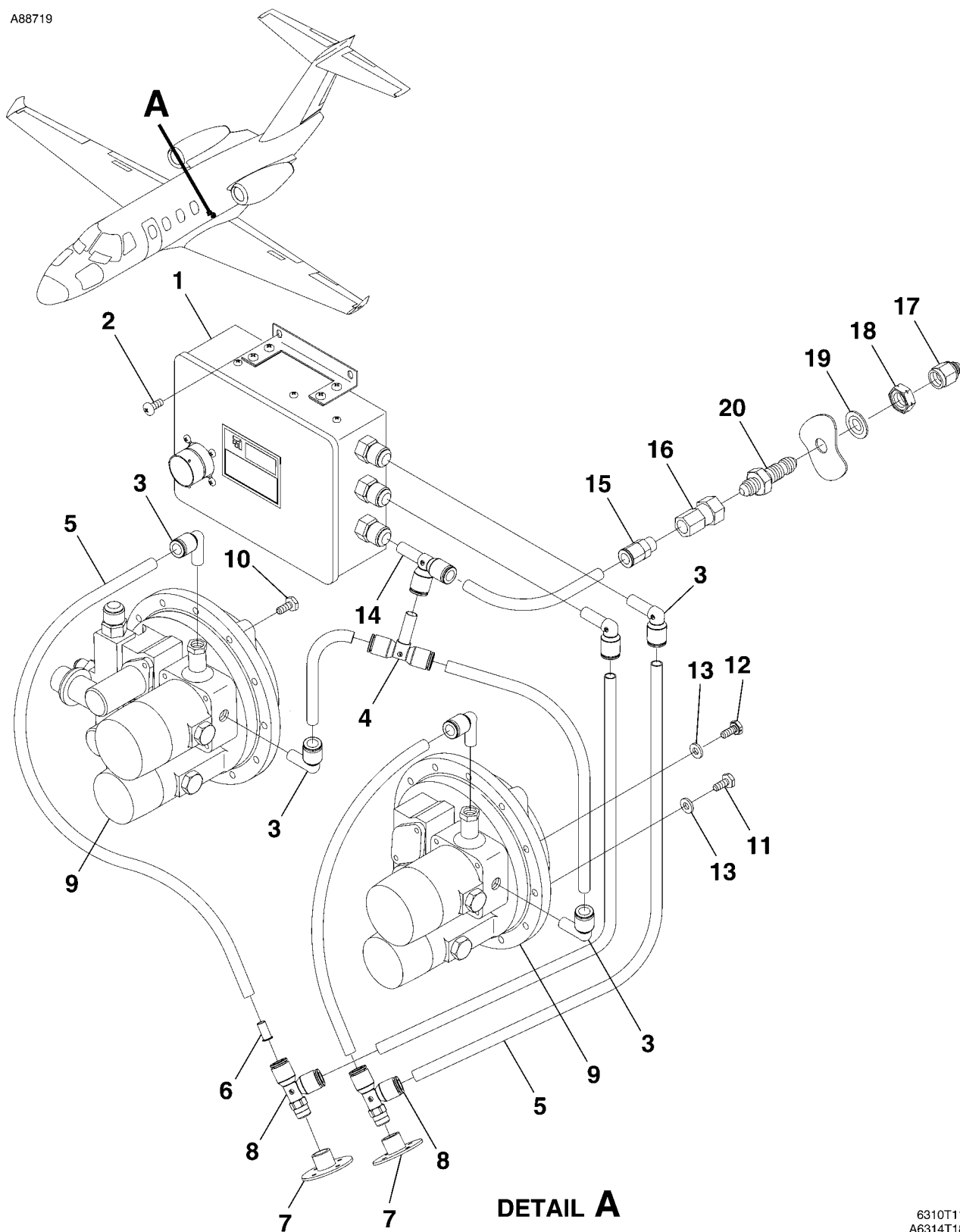
CESSNA®  
**MODEL 525 (SERIALS -0685 AND -0800 AND ON)**  
 ILLUSTRATED PARTS CATALOG

FIG ITEM	PART NUMBER	NOMENCLATURE	UNITS PER ASSY		
			1	2	3
01		FAN HOUSING ASSEMBLY - WINDSHIELD AIR			RF
- 1	6319044-32	. FAN HOUSING ASSY FSO 6319044-201 . . . . .	0800	0978	NP R
- 1A	6319044-201	. FAN HOUSING ASSY FOR SPARES ONLY . . . . .			01 R
- 1B	6319035-1	. FAN HOUSING ASSY . . . . .	0979	& ON	01 R
2	7003-100	. . MOTOR AND BLOWER ASSY-WINDSHIELD AIR . . . . .	V34163	0800	0978
- 2A	7003-300	. . MOTOR AND BLOWER ASSY-WINDSHIELD AIR . . . . .	V34163	0979	& ON
		ATTACHING PARTS			
3	MS35206-228	. . SCREW . . . . .			04 R
4	MS21075L06N	. . NUTPLATE . . . . .			02 R
5	MS21071L06	. . NUTPLATE . . . . .			02 R
		—*—			
6	6214628-13	. . MOUNTING PLATE . . . . .	0800	0978	01 R
7	6319044-24	. . FAN HOUSING . . . . .			01 R
8	6319044-20	. . INLET ADAPTER ASSY . . . . .			01 R
9	6319044-11	. . FAN DUCT . . . . .			01 R
10	6319044-31	. . VALVE ASSY-WINDSHIELD AIR . . . . .			01 R
- 11	6319015-71	. . . HINGE HALF . . . . .			01 R
- 12	6319015-72	. . . HINGE HALF . . . . .			01 R
- 13	6319044-33	. . . FOAM BUMPER . . . . .			02 R
14	6319015-68	. . BUMPER . . . . .			02 R
15	6319015-52	. . PAD . . . . .			01 R

- ITEM NOT ILLUSTRATED

CESSNA®  
**MODEL 525 (SERIALS -0685 AND -0800 AND ON)**  
 ILLUSTRATED PARTS CATALOG

A88719



**DETAIL A**

CABIN PRESSURIZATION SYSTEM  
 FIGURE 01 (SHEET 1)

6310T1168  
 A6314T1848



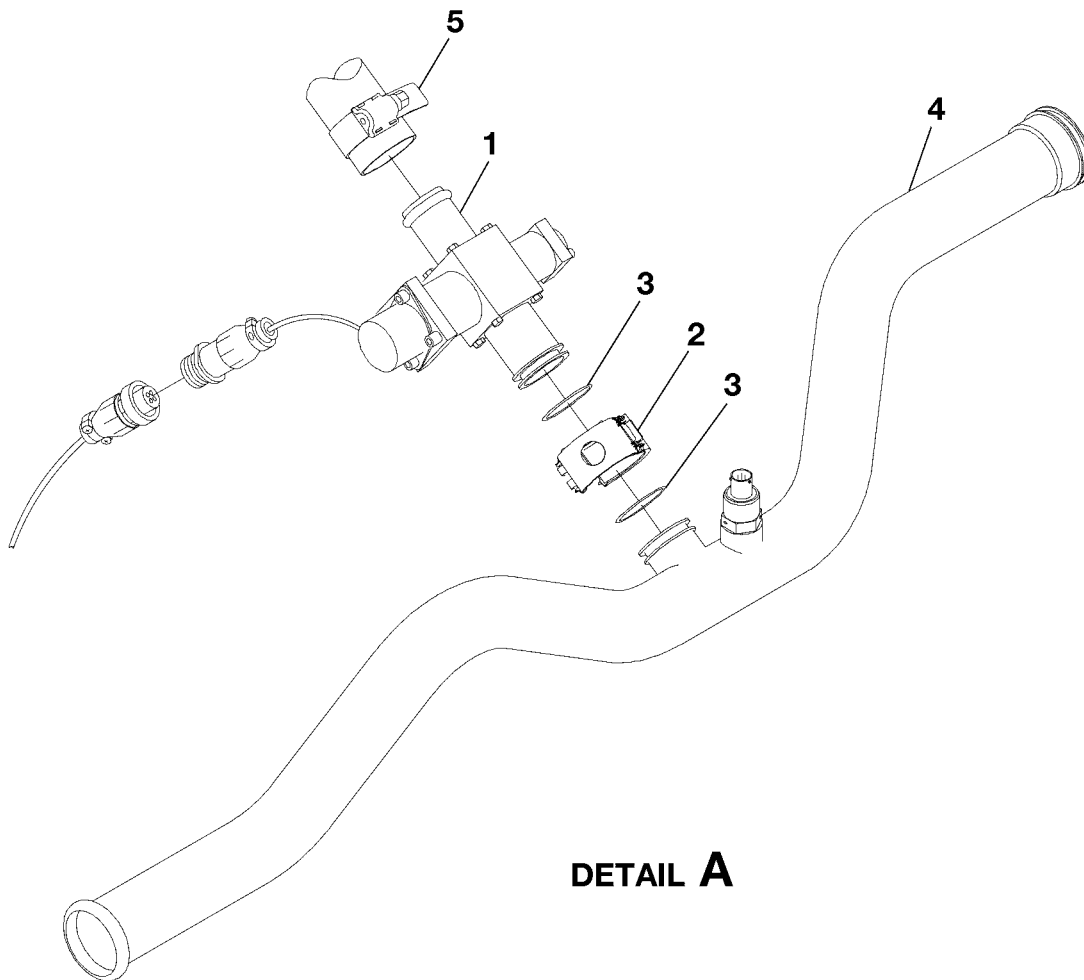
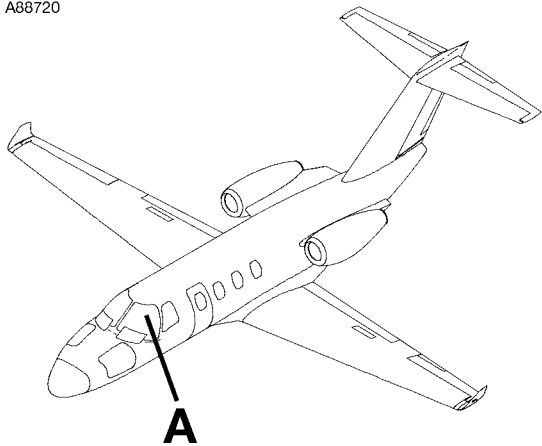
CESSNA®  
**MODEL 525 (SERIALS -0685 AND -0800 AND ON)**  
 ILLUSTRATED PARTS CATALOG

FIG ITEM	PART NUMBER	NOMENCLATURE	UNITS PER ASSY	
			1 2 3 4 5 6 7	
01		CABIN PRESSURIZATION SYSTEM		RF
-				
1	9912661-5	. CONTROLLER BA033 . . . . .	0800	0966 01 R
- 1A	9912661-11	. CONTROLLER BA033 ALT FOR 9912661-5 . . . . .	0967	& ON 01 R
		ATTACHING PARTS		
2	MS27039-1-07	. SCREW . . . . .		04
		—*—		
3	3182-08-00	. ELBOW . . . . .	V84834	06
4	3188-08-00	. TEE . . . . .	V58755	01
5	NN5-040	. PLASTIC BKI . . . . .		AR
6	63PT-5-40	. BRASS INSERT . . . . .	V93061	14
7	CM2609-2	. PORT . . . . .		02
8	3103-08-11	. TEE . . . . .	V58755	02
9	9912661-7	. OUTFLOW VALVE REFER TO NOTE 1 . . . . .		02
		ATTACHING PARTS		
10	AN3-3A	. BOLT-INBOARD . . . . .		06
11	AN3-3A	. BOLT-OUTBOARD . . . . .		05 R
12	AN3H3A	. BOLT-OUTBOARD . . . . .		01 R
13	NAS1149F0363P	. WASHER . . . . .		06 R
		—*—		
14	3183-08-00	. TEE . . . . .	V84834	01 R
15	3175-08-11	. COUPLING . . . . .	V84834	01 R
16	4G6X-S	. SWIVEL NUT . . . . .	V30780	01 R
17	AN929-L4	. CAP ASSY . . . . .		01 R
18	NAS509-7	. NUT . . . . .		01 R
19	250-215-4	. SEAL . . . . .	V83259	01 R
20	AN832-4	. UNION . . . . .		01 R

NOTE 1—REFER TO MAINTENANCE MANUAL FOR SUPPLIERS PUBLICATION LIST.

CESSNA®  
**MODEL 525 (SERIALS -0685 AND -0800 AND ON)**  
ILLUSTRATED PARTS CATALOG

A88720



**DETAIL A**

EMERGENCY PRESSURIZATION SYSTEM  
FIGURE 02 (SHEET 1)

6310T1168  
A6314T1027

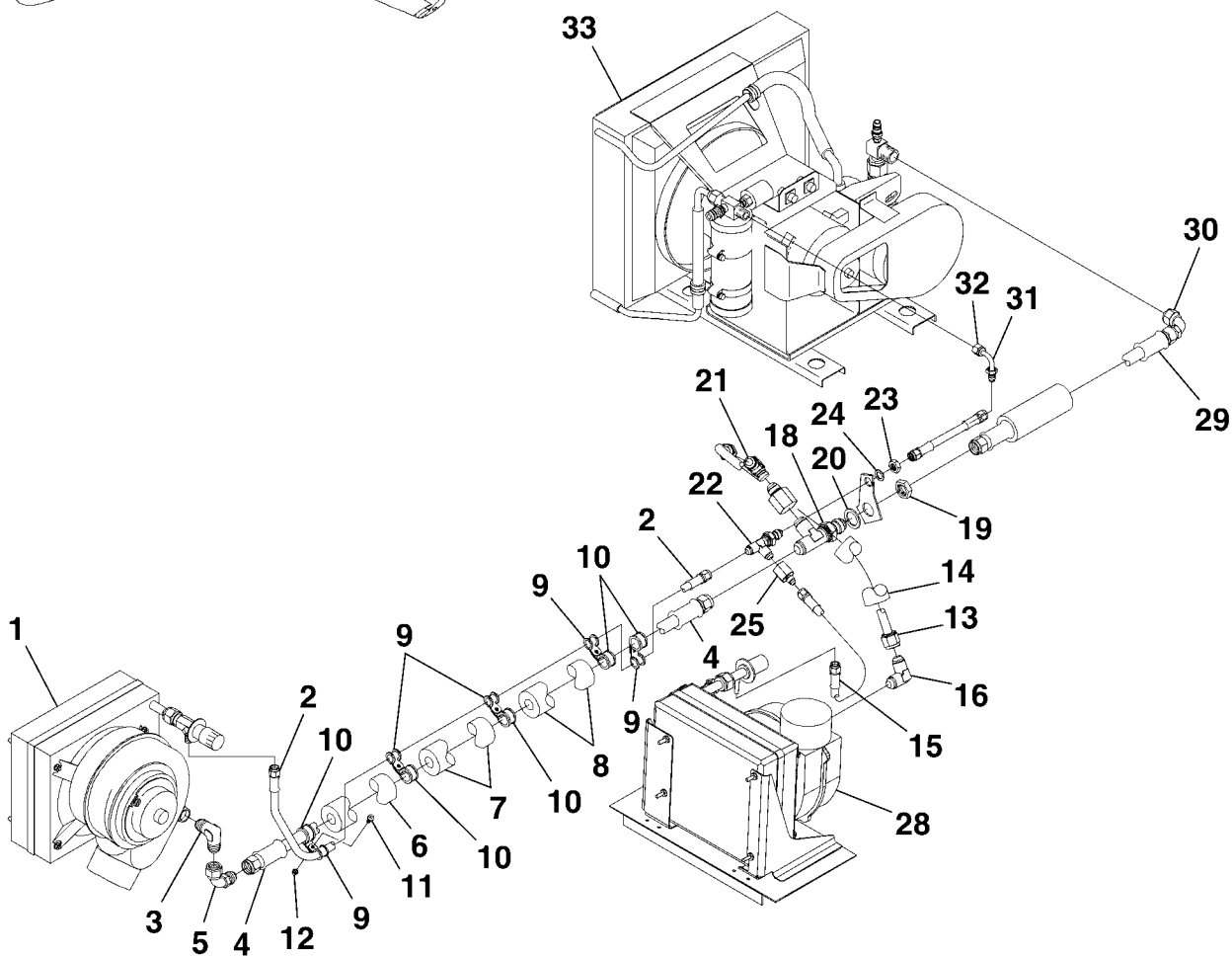
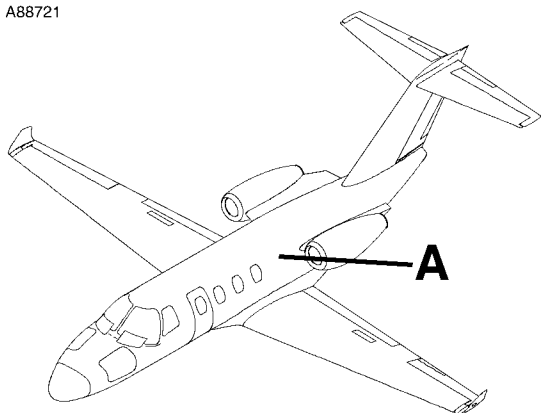
CESSNA®  
**MODEL 525 (SERIALS -0685 AND -0800 AND ON)**  
 ILLUSTRATED PARTS CATALOG

FIG ITEM	PART NUMBER	1 2 3 4 5 6 7	NOMENCLATURE	UNITS PER ASSY
02			EMERGENCY PRESSURIZATION SYSTEM	RF
-			. VALVE ASSY-EMERGENCY PRESSURIZATION SHUTOFF . . . . .	01
1	9912422-2		. COUPLING . . . . . V79326	01
2	W991-16DE		. O-RING . . . . .	02
3	AS3582-214		. WINDSHIELD ANTI-ICE SYSTEM AIR DUCTS-REFER TO 30-40-00 FIGURE	RF
4			. 03 . . . . .	RF
5			. AIR DISTRIBUTION SYSTEM-COCKPIT REFER TO 21-21-00 FIGURE 02 . . .	RF

- ITEM NOT ILLUSTRATED

CESSNA®  
MODEL 525 (SERIALS -0685 AND -0800 AND ON)  
ILLUSTRATED PARTS CATALOG

A88721



**DETAIL A**

AIR CONDITIONING SYSTEM  
FIGURE 01 (SHEET 1)

6310T1168  
A6314T1065C

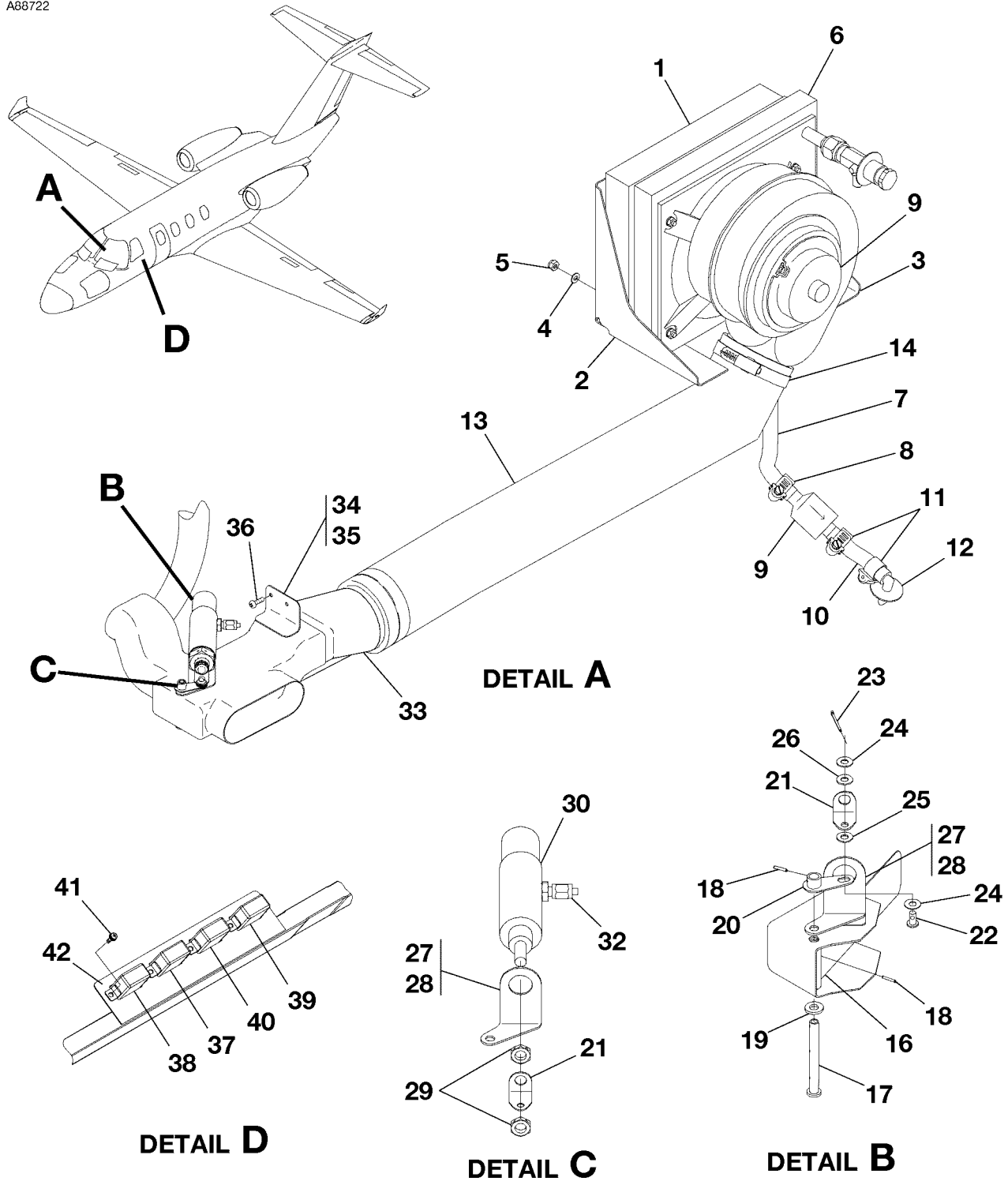
CESSNA®  
**MODEL 525 (SERIALS -0685 AND -0800 AND ON)**  
 ILLUSTRATED PARTS CATALOG

FIG ITEM	PART NUMBER	NOMENCLATURE	UNITS PER ASSY
	1 2 3 4 5 6 7		
01		AIR CONDITIONING SYSTEM	
-		. EVAPORATOR INSTALLATION-FORWARD AIR CONDITIONER REFER TO	RF
1		21-50-01 FIGURE 01 . . . . .	RF
2	S3199-4-1120	. HOSE ASSY . . . . .	01
- 2A	FA4058EEE1120	. HOSE ASSY ALT FOR S3199-4-1120 . . . . . V00624	01 R
3	AN821-8D	. ELBOW . . . . .	01 R
4	S3199-8-1020	. HOSE ASSY . . . . .	01 R
- 4A	FA4552HHH1020	. HOSE ASSY ALT FOR S3199-8-1020 . . . . . V01276	01 R
5	500454-8S	. ELBOW . . . . . V00624	01 R
6	S2958-10-9.5	. INSULATION TUBE-BKI . . . . .	AR R
7	S2958-10-21.5	. INSULATION TUBE-BKI . . . . .	AR R
8	S2958-10-19.5	. INSULATION TUBE-BKI . . . . .	AR R
9	MS21919WDG8	. CLAMP . . . . .	05 R
10	MS21919WDG12	. CLAMP . . . . .	05 R
11	MS27039-1-09	. SCREW . . . . .	04 R
12	MS21044N3	. NUT . . . . .	04 R
13	6315150-15	. TUBE ASSY . . . . .	01 R
14	S2958-8-7.5	. INSULATION TUBE . . . . .	AR R
15	S3199-4-0140	. HOSE ASSY . . . . .	01 R
- 15A	FA4058EEE0140	. HOSE ASSY ALT FOR S3199-4-0140 . . . . . V01276	01 R
16	AN821-8D	. ELBOW . . . . .	01 R
- 17	AN894D10-8	. BUSHING . . . . . 0830 & ON	01 R
18	AN804D10	. TEE . . . . .	01 R
19	AN924-10D	. NUT . . . . .	01 R
20	NAS1149D1490K	. WASHER . . . . . 0830 & ON	01 R
21	AS4407D1008	. ELBOW ASSY . . . . .	01 R
22	AN804D6	. TEE . . . . .	01 R
23	AN924-6D	. NUT . . . . .	01 R
24	NAS1149D0963K	. WASHER . . . . . 0830 & ON	01 R
25	AN894D6-4	. BUSHING . . . . . 0800 0829	01 R
- 26	NAS1564D6-4	. REDUCER . . . . . 0830 & ON	02 R
- 27	AN818-6D	. NUT . . . . . 0830 & ON	02 R
28		. EVAPORATOR INSTALLATION-AFT AIR CONDITIONER REFER TO 21-50-02	RF R
		FIGURE 01. . . . .	
29	FWA-525-12	. HOSE ASSY FSO AE717889-1 . . . . . VFVAW 0800	0829 NP R
- 29A	AE717889-1	. HOSE ASSY . . . . . V00624 0830	& ON 01 R
30	AE22103-015	. O-RING . . . . . V00624 0830	& ON 01 R
31	FWA-525-6A	. HOSE ASSY FSO AE1014850G . . . . . VFVAW 0800	0829 NP R
- 31A	AE1014850G	. HOSE ASSY . . . . . V00624 0830	& ON 01 R
32	AE22103-011	. PACKING . . . . . V00624 0830	& ON 01 R
33		. COMPRESSOR AND CONDENSER INSTALLATION REFER TO 21-50-02	RF R
		FIGURE 01. . . . .	

- ITEM NOT ILLUSTRATED

CESSNA®  
**MODEL 525 (SERIALS -0685 AND -0800 AND ON)**  
 ILLUSTRATED PARTS CATALOG

A88722



EVAPORATOR INSTALLATION - FORWARD AIR CONDITIONER  
 FIGURE 01 (SHEET 1)

6310T1168  
 A6314T1058A  
 B6314T1145  
 C6314T1144  
 D6314T1850

CESSNA®  
**MODEL 525 (SERIALS -0685 AND -0800 AND ON)**  
 ILLUSTRATED PARTS CATALOG

FIG ITEM	PART NUMBER	NOMENCLATURE	UNITS	
			PER	ASSY
01		EVAPORATOR INSTALLATION - FORWARD AIR CONDITIONER		RF
-				
1	9912459-9	. EVAPORATOR ASSY-FWD REFER TO NOTE 1 . . . . .		01
		ATTACHING PARTS		
2	6315001-2	. BRACKET-FWD . . . . .		01
3	6315001-3	. BRACKET-AFT . . . . .		01
4	NAS1149F0332P	. WASHER . . . . .		04
5	MS21044N3	. NUT . . . . .		04
		—*—		
6	6315001-6	. SEAL . . . . .		04
7	S2548-6	. HOSE-EVAPORATOR DRAIN 5.7 IN LG BKI . . . . .		AR
		ATTACHING PARTS		
8	S2357-1	. CLAMP . . . . .		02
		—*—		
9	6315011-6	. DRAIN VALVE ASSY . . . . .		01
10	S2548-6	. HOSE-EVAPORATOR DRAIN 2.9 IN LG BKI . . . . .		AR
		ATTACHING PARTS		
11	S2357-1	. CLAMP . . . . .		02
		—*—		
12	6315001-4	. TUBE WELD ASSY-EVAPORATOR DRAIN . . . . .		01
13	6315003-5	. DUCT ASSY . . . . .	0800 0805	01 R
			0808 & ON	
- 13A	DDA06613-1	. DUCT ASSY-REF 6315001 REFER TO NOTE 2 . . . . .	0806 0807	01 R
		ATTACHING PARTS		
14	CM2949-120	. CLAMP . . . . .		02
		—*—		
- 15	6315012-15	. DIVERTER DUCT ASSY . . . . .		01
16	6315012-12	. DOOR ASSY . . . . .		01
17	6315012-13	. PIVOT TUBE ASSY-DIVERTER DUCT DOOR . . . . .		01
18	MS16562-4	. PIN . . . . .		03
19	S1438-17	. WASHER . . . . .		01
20	6315012-14	. LEVER ASSY . . . . .		01
21	6315110-17	. PIVOT BRACKET . . . . .		01
		ATTACHING PARTS		
22	MS20392-2C7	. PIN . . . . .		01
23	MS24665-132	. COTTER PIN . . . . .		01
24	NAS1149D0316K	. WASHER . . . . .		02
25	NAS1149F0363P	. WASHER . . . . .		01
26	NAS1149D0332K	. WASHER . . . . .		01
		—*—		
27	6315012-18	. MOUNT PLATE . . . . .		01
28	6315012-10	. MOUNT . . . . .		01
29	NAS1423-5	. NUT . . . . .		02
30	AN816-2	. ADAPTER . . . . .		01
- 31	AS5194-0202	. ADAPTER-ALT FOR AN816-2 . . . . .		01
32	0905LS1G	. AIR CYLINDER . . . . .		01
33	6315012-19	. ADAPTER . . . . .		01
34	6315012-4	. SUPPORT PLATE . . . . .		01
35	6315012-5	. SUPPORT . . . . .		01
36	MS27039-0808	. SCREW . . . . .		02
37	M6106/19-012	. RELAY-KC034 . . . . .		01
38	M6106/19-012	. RELAY-KC035 . . . . .		01
39	M6106/19-012	. RELAY-KC036 . . . . .		01
40	M6106/19-012	. RELAY-KC037 . . . . .		01
41	450040150	. JRS HARDWARE PACKAGE . . . . .	V58982	08
42	6318884-3	. BRACKET ASSY . . . . .		01

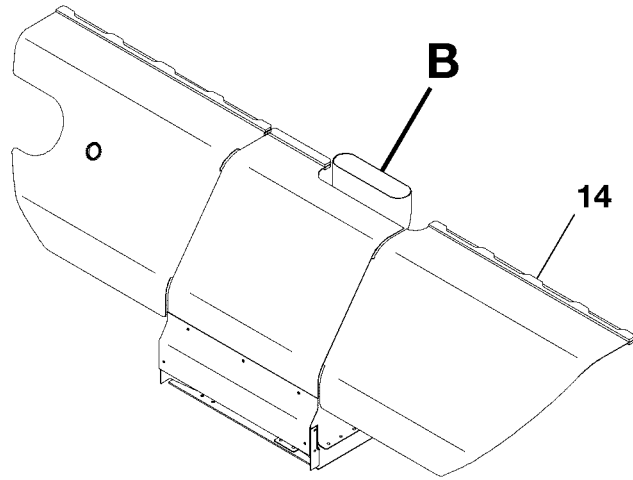
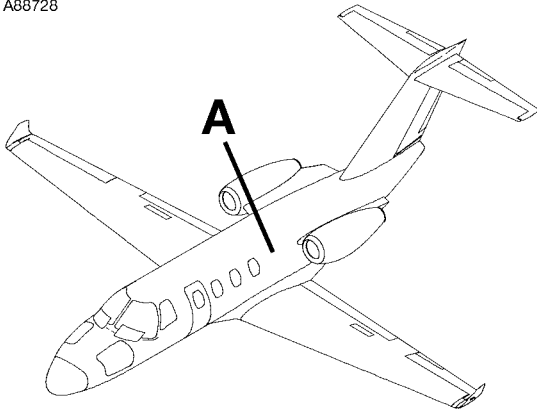
NOTE 1—REFER TO MAINTENANCE MANUAL FOR SUPPLIERS PUBLICATION LIST.

NOTE 2—WHEN ORDERING DDA PART NUMBERS, ALSO PROVIDE REFERENCE DRAWING NUMBER SHOWN IN NOMENCLATURE COLUMN

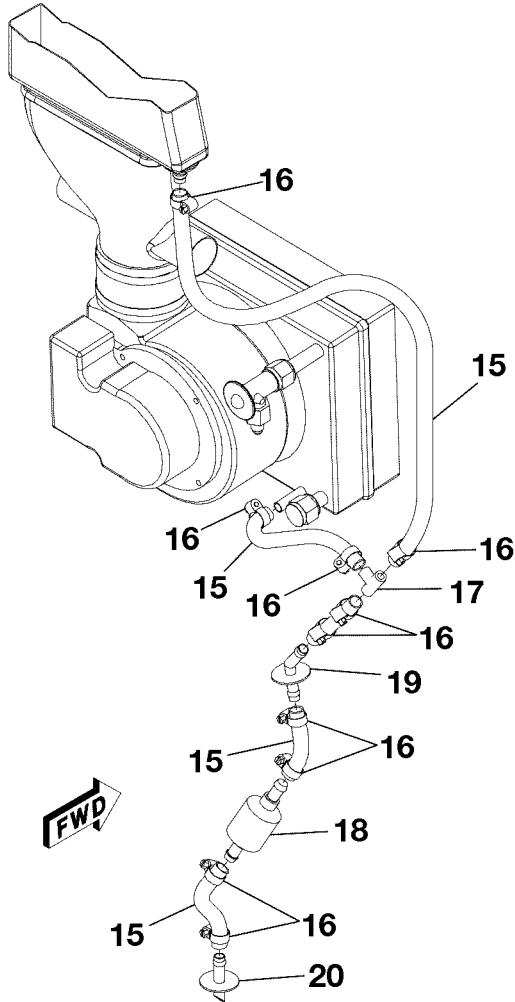
R

CESSNA®  
**MODEL 525 (SERIALS -0685 AND -0800 AND ON)**  
 ILLUSTRATED PARTS CATALOG

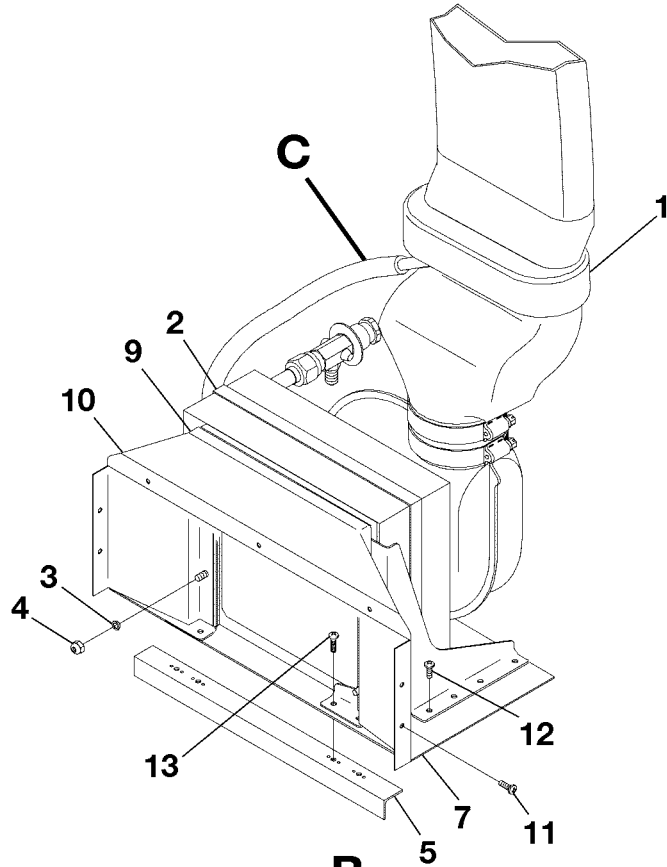
A88728



**DETAIL A**



**DETAIL C**



**DETAIL B**

6310T1168  
 A6314T1098  
 B6314T1059A  
 C6314T1777

EVAPORATOR INSTALLATION - AFT AIR CONDITIONER  
 FIGURE 02 (SHEET 1)



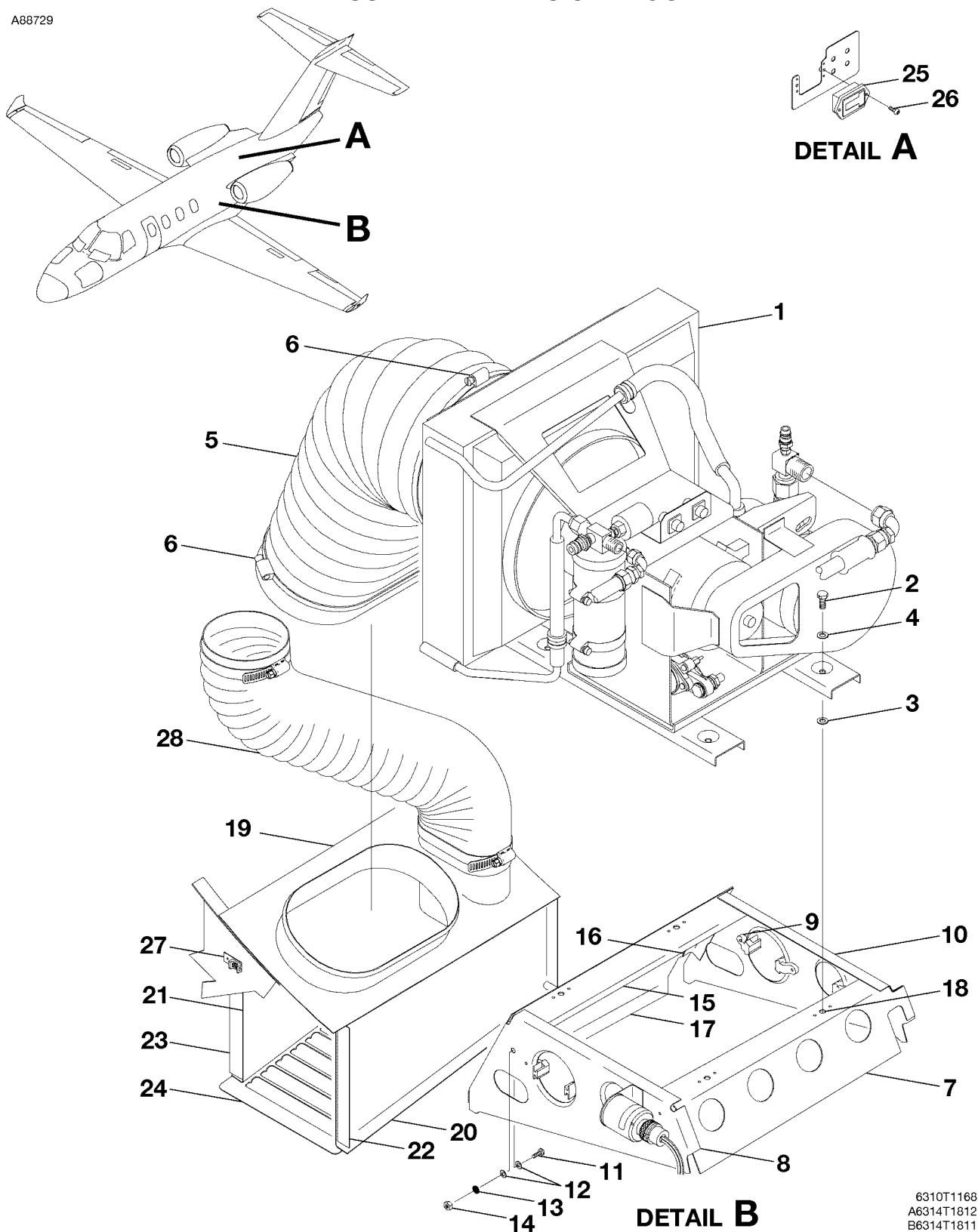
CESSNA®  
**MODEL 525 (SERIALS -0685 AND -0800 AND ON)**  
 ILLUSTRATED PARTS CATALOG

FIG ITEM	PART NUMBER	NOMENCLATURE	UNITS
			PER ASSY
02		EVAPORATOR INSTALLATION - AFT AIR CONDITIONER	RF
-		. AIR DISTRIBUTION SYSTEM-OVERHEAD REFER TO 21-21-00 FIGURE 01 .	RF
2	9912459-10	. EVAPORATOR ASSY-AFT REFER TO NOTE 1 . . . . .	01
		ATTACHING PARTS	
3	NAS1149F0332P	. WASHER . . . . .	04
4	MS21044N3	. NUT . . . . .	04
		—*—	
5	6315010-14	. ANGLE ASSY . . . . .	01
-	MS21075L08N	. . NUTPLATE . . . . .	04
7	6315010-26	. MOUNTING PLATE ASSY . . . . .	01
-	MS21075L08N	. . NUTPLATE . . . . .	01
9	6315010-28	. SEAL . . . . .	01
10	NH3000957-10	. PLENUM COVER ASSY . . . . . V00624	01
11	MS27039-0808	. SCREW . . . . .	07
12	MS27039-0807	. SCREW . . . . .	12
13	MS27039-0809	. SCREW . . . . .	02
14		. AFT CABIN COVER-REFER TO 53-22-00 FIGURE 01 . . . . .	RF
15	S2548-6	. HOSE-6.50 IN LG BKI . . . . .	AR
		ATTACHING PARTS	
16	S2357-1	. CLAMP . . . . .	10
		—*—	
17	6315351-10	. VENTURI ASSY . . . . .	01
18	6315011-6	. DRAIN VALVE ASSY . . . . .	01
19	6315010-17	. TUBE WELD ASSY-UPR DRAIN . . . . .	01
20	6315010-11	. TUBE WELD ASSY-LWR DRAIN . . . . .	01

NOTE 1—REFER TO MAINTENANCE MANUAL FOR SUPPLIERS PUBLICATION LIST.

CESSNA®  
**MODEL 525 (SERIALS -0685 AND -0800 AND ON)**  
 ILLUSTRATED PARTS CATALOG

A88729



COMPRESSOR AND CONDENSER INSTALLATION  
 FIGURE 01 (SHEET 1)

6310T1168  
 A6314T1812  
 B6314T1811

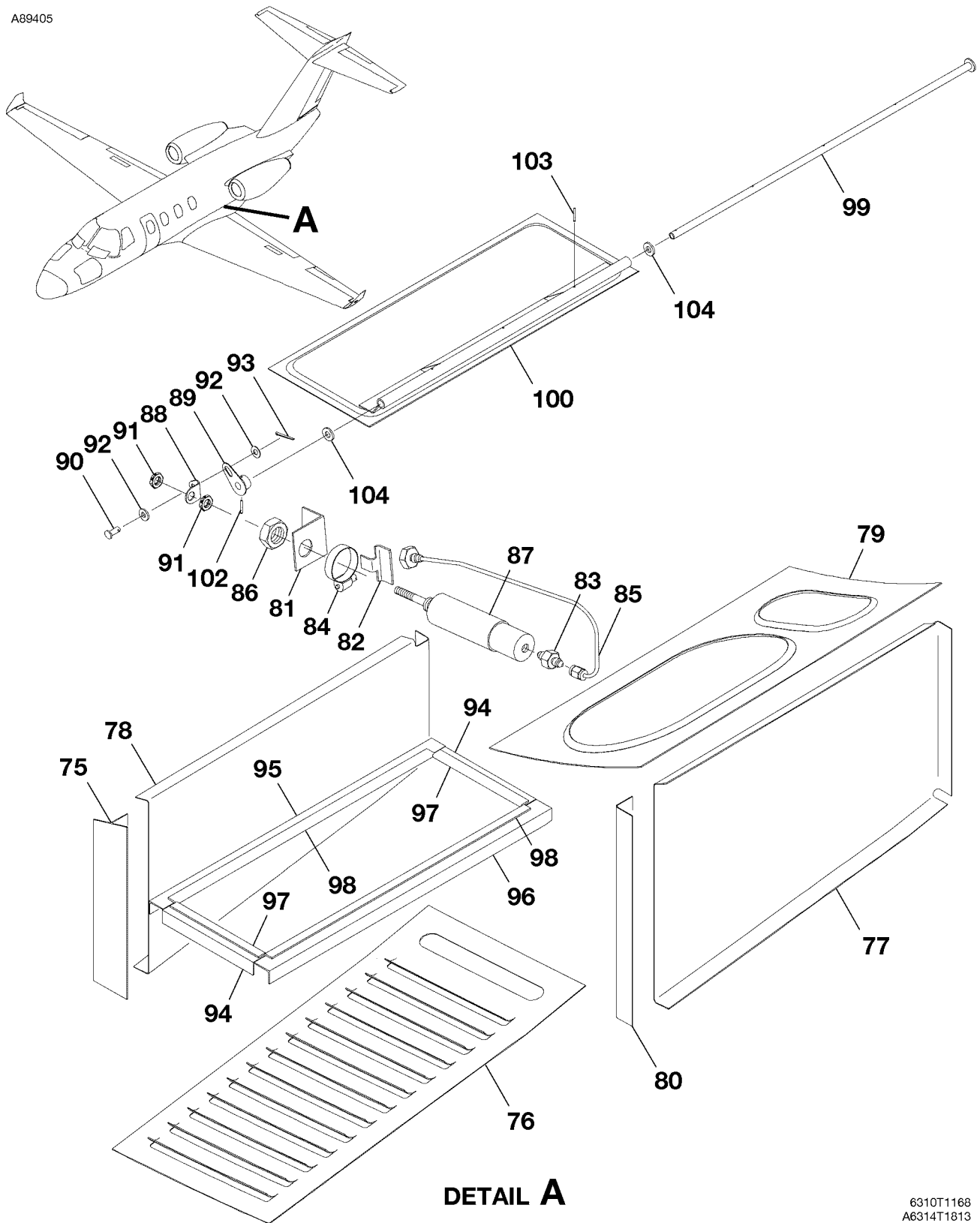
CESSNA®  
**MODEL 525 (SERIALS -0685 AND -0800 AND ON)**  
 ILLUSTRATED PARTS CATALOG

FIG ITEM	PART NUMBER	NOMENCLATURE	UNITS
			PER ASSY
		1 2 3 4 5 6 7	
01			
-		COMPRESSOR AND CONDENSER INSTALLATION	RF
1	9912459-8	. COMPRESSOR ASSY-REFER TO NOTE 1.....	01
		ATTACHING PARTS	
2	AN4C5A	. BOLT .....	04
3	NAS1149C0432R	. WASHER .....	04
4	NAS1515D4L	. WASHER .....	04
		—*—	
5	S1053K64T20.0	. DUCT-BKI. ....	AR
		ATTACHING PARTS	
6	NAS1922-0825-1	. CLAMP .....	02
		—*—	
7	6315315-6	. CHANNEL .....	01
8	6315315-8	. BRACKET .....	01
9	S4132-1	. ANCHOR .....	06
10	6315315-13	. BRACKET .....	01
		ATTACHING PARTS	
11	MS35207-284	. SCREW .....	01
12	NAS1149D0463H	. WASHER .....	02
13	MS35338-139	. LOCK WASHER .....	01
14	AN316-4R	. NUT .....	01
		—*—	
15	6315315-5	. CHANNEL .....	01
16	6315315-7	. ANGLE .....	01
17	6315315-9	. WEB .....	01
18	MS21059L4	. NUTPLATE .....	04
19	6315320-26	. BEZEL ASSY .....	01
20	6315320-16	. PANEL-RH .....	01
21	6315320-18	. PANEL-RH .....	01
22	6315320-5	. ANGLE .....	01
23	6315320-6	. ANGLE .....	01
24	6315320-7	. LOUVER .....	01
25	1250703-3	. HOURMETER-ET001 .....	01
		ATTACHING PARTS	
26	MS35206-229	. SCREW .....	02
		—*—	
27	S3529-1A1	. ANCHOR ASSY .....	01
28		. PRESSURIZATION COMPRESSION SYSTEM-REFER TO 21-10-00 FIGURE 01 .....	RF

NOTE 1—REFER TO MAINTENANCE MANUAL FOR SUPPLIERS PUBLICATION LIST.

CESSNA®  
**MODEL 525 (SERIALS -0685 AND -0800 AND ON)**  
 ILLUSTRATED PARTS CATALOG

A89405



**DETAIL A**

COMPRESSOR AND CONDENSER INSTALLATION  
 FIGURE 01 (SHEET 2)

6310T1168  
 A6314T1813

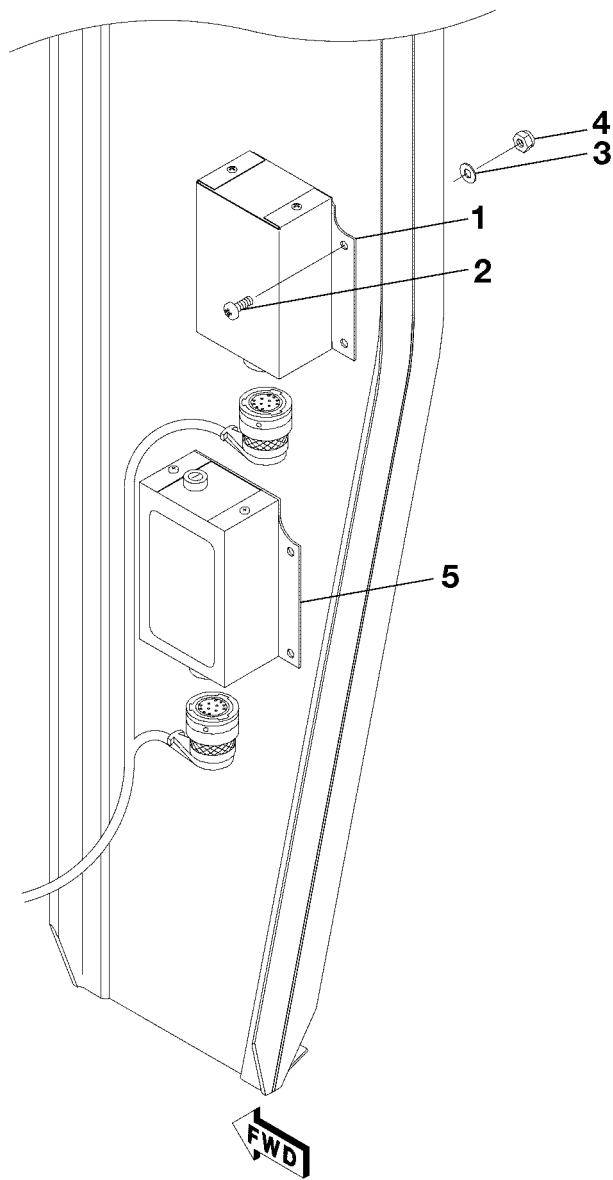
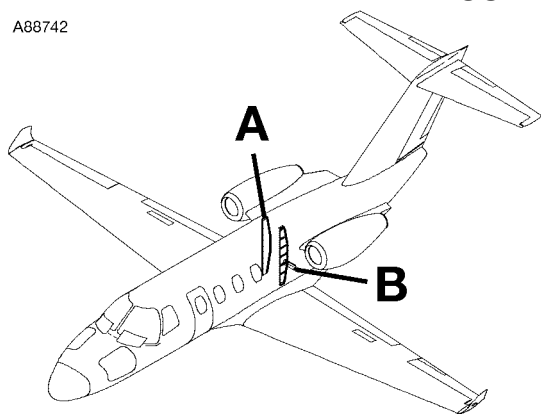
CESSNA®  
**MODEL 525 (SERIALS -0685 AND -0800 AND ON)**  
 ILLUSTRATED PARTS CATALOG

FIG ITEM	PART NUMBER	NOMENCLATURE	UNITS
			PER ASSY
01			
75	6315322-2	. TEE . . . . .	01
76	6315320-22	. LOUVER . . . . .	01
77	6315320-19	. PANEL-LH . . . . .	01
78	6315320-17	. PANEL-LH . . . . .	01
79	6315320-21	. PLATE . . . . .	01
80	6315320-6	. ANGLE . . . . .	01
81	6315321-18	. MOUNT . . . . .	01
82	6315321-19	. SUPPORT . . . . .	01
83	AS5194D0202	. ADAPTER . . . . .	01
84	NAS1922-0125-3	. CLAMP . . . . .	01
85		. ACTUATOR PLUMBING INSTALLATION-AIR CONDITIONING INLET-REFER TO 36-10-00 FIGURE 02 . . . . .	RF
86	D9	. NUT . . . . . V19541	01
87	D-68070-A-1	. ACTUATOR . . . . . V19541	01
88	6315321-20	. PIVOT BRACKET . . . . .	01
89	6315321-11	. LEVER ASSY . . . . . ATTACHING PARTS	01
90	MS20392-2C7	. PIN . . . . .	01
91	NAS1423-5	. NUT . . . . .	02
92	NAS1149F0363P	. WASHER . . . . .	02
93	MS24665-132	. COTTER PIN . . . . . —*—	01
94	6315321-13	. ANGLE . . . . .	02
95	6315321-14	. ANGLE . . . . .	01
96	6315321-15	. ANGLE . . . . .	01
97	6315321-16	. SEAL . . . . .	02
98	6315321-17	. SEAL . . . . .	02
99	6315321-5	. PIVOT TUBE ASSY . . . . .	01
100	6315321-8	. DOOR ASSY . . . . .	01
- 101	6315321-7	. . PIVOT ASSY . . . . .	01
102	MS16562-6	. PIN . . . . .	01
103	MS16562-4	. PIN . . . . .	03
104	S1438-17	. WASHER . . . . .	02

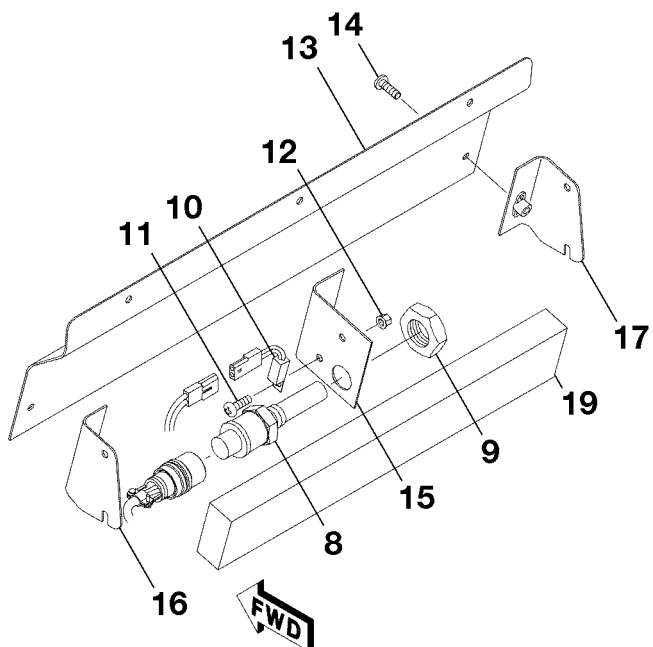
- ITEM NOT ILLUSTRATED

CESSNA®  
**MODEL 525 (SERIALS -0685 AND -0800 AND ON)**  
 ILLUSTRATED PARTS CATALOG

A88742



**DETAIL A**



**DETAIL B**

TEMPERATURE CONTROL SYSTEM  
 FIGURE 01 (SHEET 1)

6310T1168  
 A6318T1863  
 B6318T1864

CESSNA®  
**MODEL 525 (SERIALS -0685 AND -0800 AND ON)**  
 ILLUSTRATED PARTS CATALOG

FIG ITEM	PART NUMBER	NOMENCLATURE	UNITS
			PER ASSY
01		TEMPERATURE CONTROL SYSTEM	RF
-		. CONTROLLER-TEMPERATURE . . . . . V26433	01
1	1E86-1	. ATTACHING PARTS	
2	MS27039-1-08	. SCREW . . . . .	04
3	NAS1149F0332P	. WASHER . . . . .	04
4	MS21044N3	. NUT . . . . .	04
		—*—	
5		. CONTROLLER-BLEED AIR TEMPERATURE REFER TO 30-40-00 FIGURE 02 . . . . .	RF
- 6	6314541-2	. SENSOR ASSY-TEMPERATURE . . . . .	01
		. ATTACHING PARTS	
- 7	MS27039-0808	. SCREW . . . . .	02
		—*—	
8	9912085-3	. . . . . SENSOR . . . . .	01
		. ATTACHING PARTS	
9	AN924-6D	. . . . . NUT . . . . .	01
		—*—	
10	A850	. . . . . THERMISTOR . . . . . V91833	01
		. ATTACHING PARTS	
11	MS35206-228	. . . . . SCREW . . . . .	01
12	MS21042-06	. . . . . NUT . . . . .	01
		—*—	
13	6314540-10	. . . . . COVER . . . . .	01
		. ATTACHING PARTS	
14	MS27039-0808	. . . . . SCREW . . . . .	02
		—*—	
15	6314540-12	. . . . . SENSOR SUPPORT . . . . .	01
16	6314540-7	. . . . . BRACKET ASSY-LH . . . . .	01
17	6314540-6	. . . . . BRACKET ASSY-RH . . . . .	01
- 18	MS21069L08	. . . . . NUTPLATE . . . . .	01
19	6314540-11	. . . . . EVAPORATOR INSULATION . . . . .	01

- ITEM NOT ILLUSTRATED





**CHAPTER**

**22**

**AUTO FLIGHT**



CESSNA®  
**MODEL 525 (SERIALS -0685 AND -0800 AND ON)**  
ILLUSTRATED PARTS CATALOG

<b>CHAPTER SECTION SUBJECT</b>		<b>NUMBER OF PAGES</b>	<b>DATE</b>
22 - TITLE			
22 - LIST OF EFFECTIVE PAGES			
22 - RECORD OF TEMPORARY REVISIONS			
22 - TABLE OF CONTENTS			
22-10-00	Figure 01	4	Dec 1/2017
22-10-00	Figure 02	2	Nov 1/2013





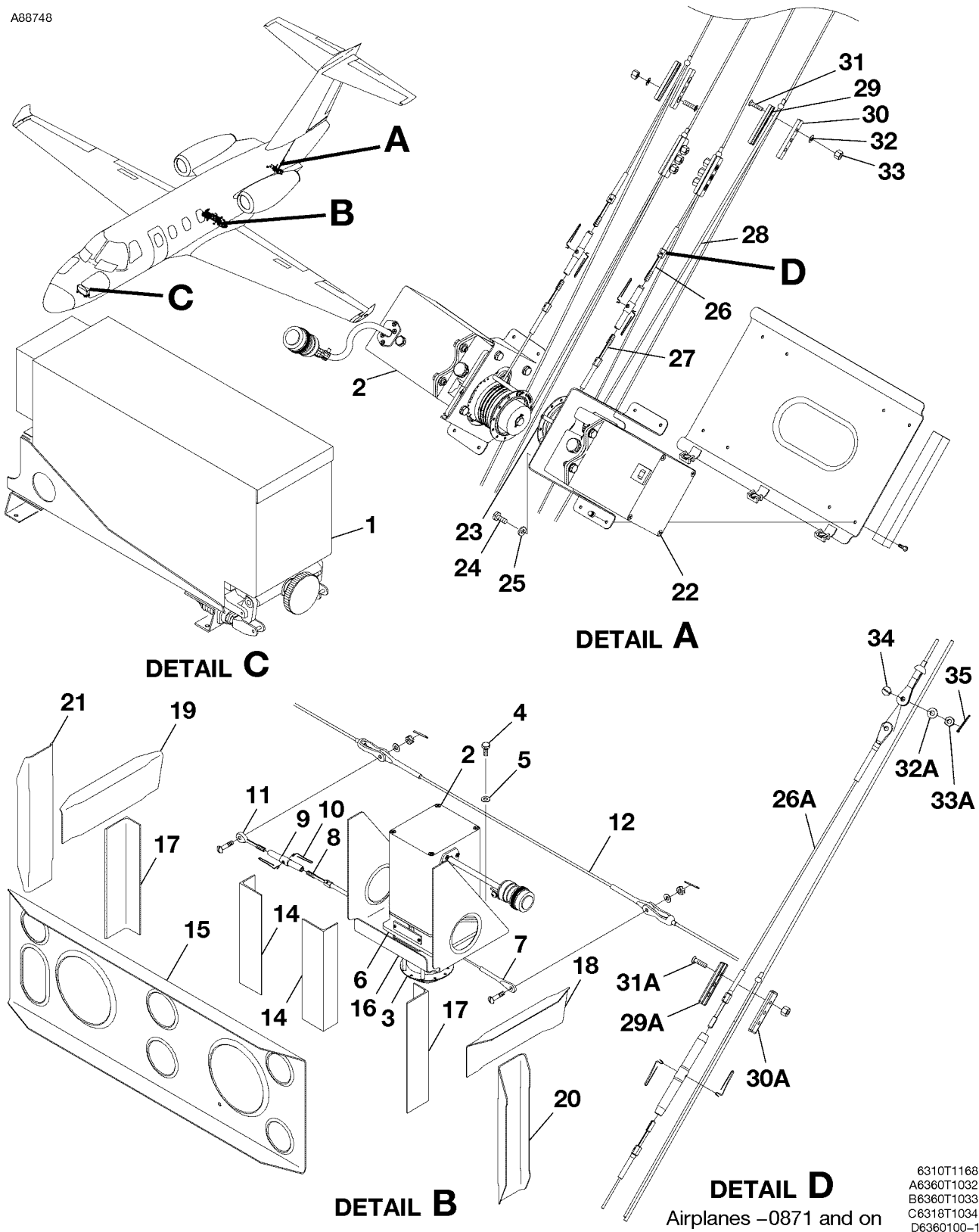


CESSNA®  
**MODEL 525 (SERIALS -0685 AND -0800 AND ON)**  
ILLUSTRATED PARTS CATALOG

<u>SUBJECT</u>	CHAPTER	<u>FIGURE</u>	<u>EFFECTIVITY</u>	
	<u>SECTION</u>		<u>START</u>	<u>END</u>
AUTOPILOT SYSTEM	22-10-00	01		
GARMIN GFC700 AFCS CONTROLLER	22-10-00	02		

CESSNA®  
**MODEL 525 (SERIALS -0685 AND -0800 AND ON)**  
 ILLUSTRATED PARTS CATALOG

A88748



**AUTOPILOT SYSTEM**  
 FIGURE 01 (SHEET 1)

**DETAIL D**  
 Airplanes -0871 and on

6310T1168  
 A6360T1032  
 B6360T1033  
 C6318T1034  
 D6360100-1



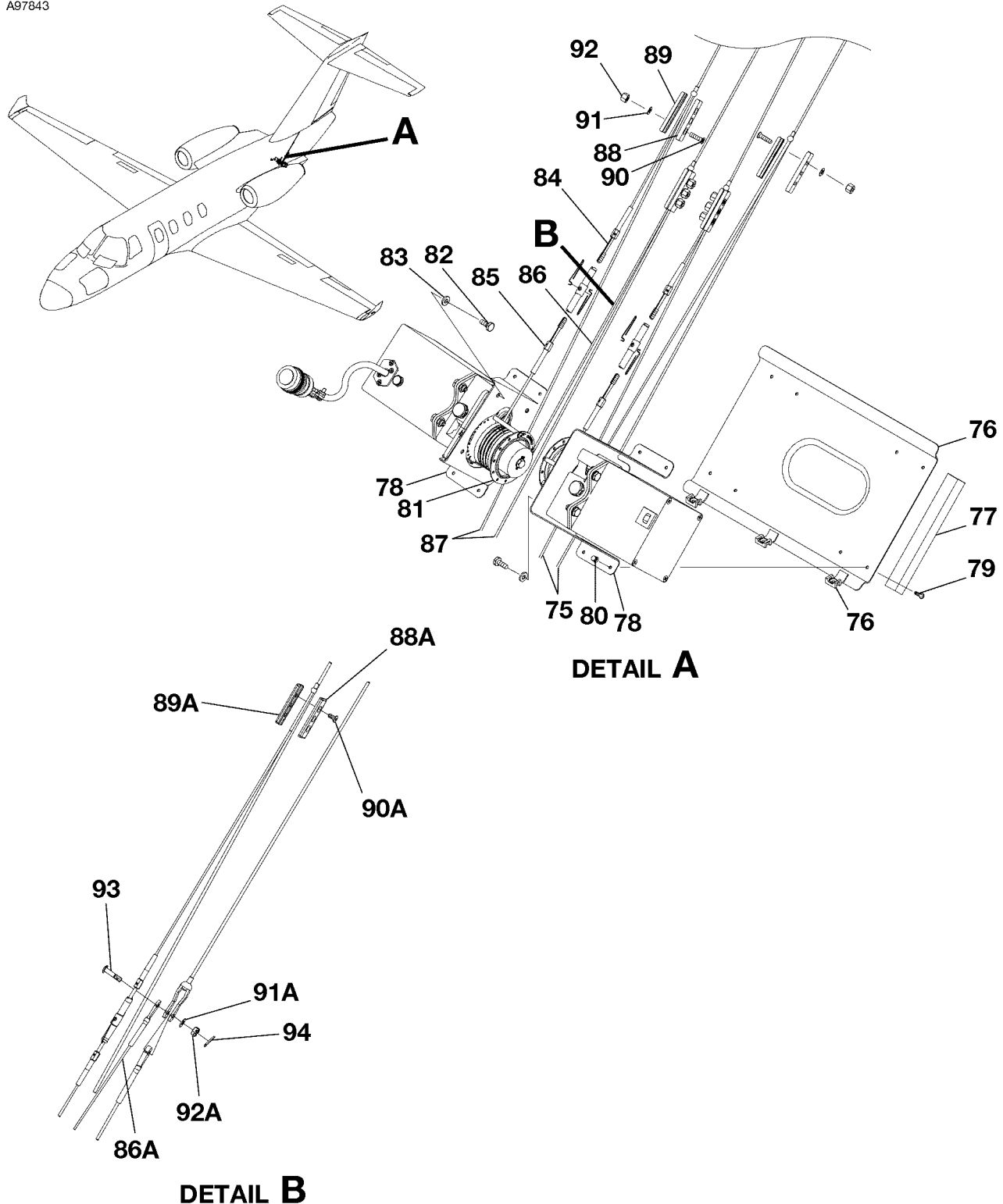
CESSNA®  
**MODEL 525 (SERIALS -0685 AND -0800 AND ON)**  
 ILLUSTRATED PARTS CATALOG

FIG ITEM	PART NUMBER	NOMENCLATURE	UNITS	
			PER	ASSY
01		AUTOPILOT SYSTEM		RF
-				
1		. COMPUTER-DISPLAY GUIDANCE REFER TO 34-20-00 FIGURE 01 . . . . .		RF
2	011-00877-20	. SERVO-AUTOPILOT . . . . .	V0TRC3	02
3	011-02490-14	. SERVO MOUNT-AILERON . . . . .	V0TRC3	01
		ATTACHING PARTS		
4	AN3-4A	. BOLT . . . . .		04
5	NAS1149F0332P	. WASHER . . . . .		04
		—*—		
6	011-01028-09	. STANDOFF KIT . . . . .	V0TRC3	03
7	6361011-13	. CABLE ASSY-LH AILERON SERVO . . . . .		01
8	6361011-14	. CABLE ASSY-RH AILERON SERVO . . . . .		01
9	MS21251-B3S	. TURNBUCKLE BODY . . . . .		03
10	MS21256-1	. CLIP-LOCK . . . . .		06
11	MS21254-3RL	. EYE END TURNBUCKLE . . . . .	0800	0977 01 R
- 11A	MS21254-3RS	. EYE END TURNBUCKLE . . . . .	0978	& ON 01 R
12		. AILERON CONTROL SYSTEM CABLES REFER TO 27-10-00 FIGURE 01 . . . . .		RF
- 13	6361510-33	. SUPPORT ASSY-AILERON AUTOPILOT SERVO . . . . .		01
14	6361510-20	. STIFFENER . . . . .		02
15	6361510-27	. SUPPORT . . . . .		01
16	6361011-4	. SERVO BRACKET ASSY . . . . .		01
17	6361510-29	. CLIP . . . . .		02
18	6361510-13	. ANGLE-LH . . . . .		01
19	6361510-14	. ANGLE-RH . . . . .		01
20	6361510-15	. STIFFENER-LH . . . . .		01
21	6361510-16	. STIFFENER-RH . . . . .		01
22	011-00878-20	. SERVO-ELEVATOR AUTOPILOT . . . . .	V0TRC3	01
23	011-02490-16	. SERVO MOUNT-ELEVATOR . . . . .	V0TRC3	01
		ATTACHING PARTS		
24	AN3-4A	. BOLT . . . . .		04
25	NAS1149F0332P	. WASHER . . . . .		04
		—*—		
26	6361011-7	. CABLE ASSY-UPPER AFT ELEVATOR SERVO . . . . .	0800	0870 01
26A	6361013-17	. CABLE ASSY-UPPER AFT ELEVATOR SERVO . . . . .	0871	& ON 01
27	6361011-6	. CABLE ASSY-UPPER FWD ELEVATOR SERVO . . . . .		01
28	6361011-8	. CABLE ASSY-LOWER ELEVATOR SERVO . . . . .		01
29	6361010-1	. CLAMP BLOCK . . . . .	0800	0870 02
29A	7060201-9	. CLAMP BLOCK-HALF . . . . .	0871	0971 01 R
- 29B	6361011-37	. CLAMP BLOCK-HALF . . . . .	0972	& ON 01 R
30	6361010-2	. CLAMP BLOCK . . . . .	0800	0870 02
30A	7060201-10	. CLAMP BLOCK-HALF . . . . .	0871	0971 01 R
- 30B	6361011-38	. CLAMP BLOCK-HALF . . . . .	0972	& ON 01 R
		ATTACHING PARTS		
31	MS24694-C7	. SCREW . . . . .	0800	0870 03
31A	MS24667-13	. SCREW . . . . .	0871	0971 03 R
- 31B	MS24667-20	. SCREW . . . . .	0972	& ON 03 R
32	NAS1149FN816P	. WASHER . . . . .	0800	0870 03
32A	NAS119F0332P	. WASHER . . . . .	0871	& ON 01
33	MS21044N08	. NUT . . . . .	0800	0870 03
33A	MS17826-3	. NUT . . . . .	0871	& ON 01
34	AN23-13	. BOLT . . . . .	0871	& ON 01
35	MS24665-134	. COTTER PIN . . . . .	0871	& ON 01
		—*—		

- ITEM NOT ILLUSTRATED

CESSNA®  
**MODEL 525 (SERIALS -0685 AND -0800 AND ON)**  
 ILLUSTRATED PARTS CATALOG

A97843



**DETAIL B**  
 Airplanes -0871 and on

AUTOPILOT SYSTEM  
 FIGURE 01 (SHEET 2)

6310T1168  
 A6360T1032  
 B6360300-1

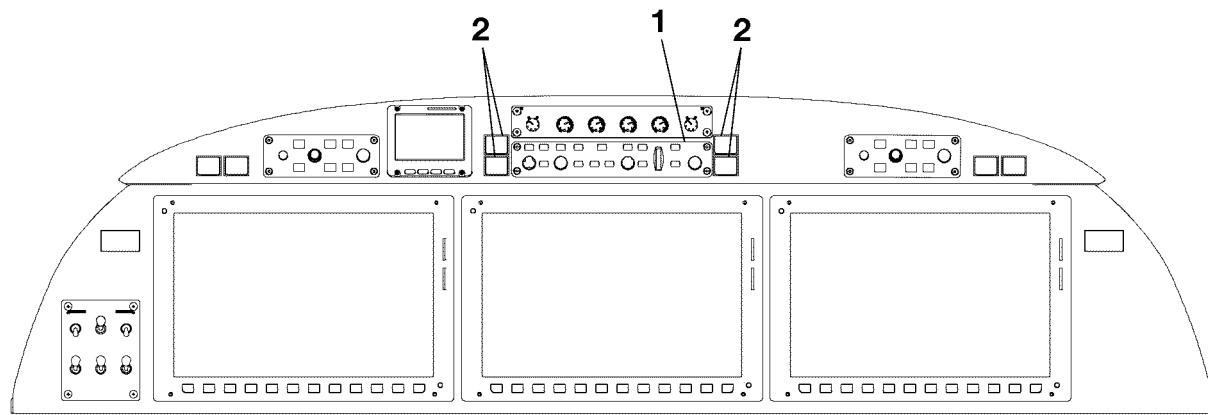
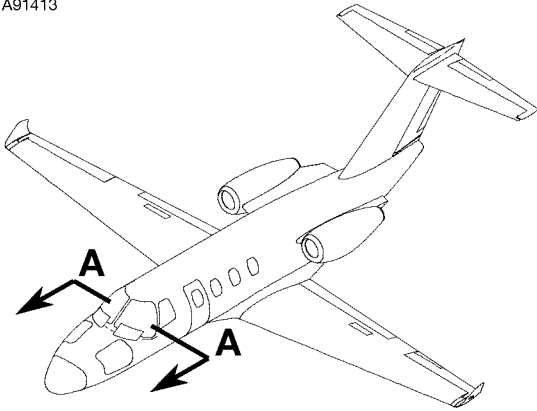
CESSNA®  
**MODEL 525 (SERIALS -0685 AND -0800 AND ON)**  
 ILLUSTRATED PARTS CATALOG

FIG ITEM	PART NUMBER	NOMENCLATURE	UNITS PER ASSY	
			1 2 3 4 5 6 7	
01		. ELEVATOR CONTROL SYSTEM REFER TO 27-30-00 FIGURE 01 . . . . .		RF
75		. SHELF-ELEVATOR/RUDDER AUTOPILOT SERVO . . . . .		01
76	7161073-5	. ANGLE . . . . .		02
77	6360110-11	. SERVO BRACKET . . . . .		02
78	7161073-6	. ATTACHING PARTS		
79	HL10VBJ5-2	. PIN-HI-LOK . . . . . V73197		04
80	HL97DU-5	. COLLAR-HI-LOK . . . . . V73197		04
		—*—		
81	011-02490-15	. SERVO MOUNT-RUDDER SERVO . . . . . V0TRC3		01
		. ATTACHING PARTS		
82	AN3-4A	. BOLT . . . . .		04
83	NAS1149F0363P	. WASHER . . . . .		04
		—*—		
84	6361011-7	. CABLE ASSY-UPPER AFT RUDDER SERVO REFER TO NOTE 1 . . . . .	0800	0870 01
- 84A	6361013-17	. CABLE ASSY-UPPER AFT RUDDER SERVO REFER TO NOTE 1 . . . . .	0871	& ON 01
85	6361011-10	. CABLE ASSY-UPPER FWD RUDDER SERVO . . . . .		01
86	6361011-9	. CABLE ASSY-LOWER RUDDER SERVO REFER TO NOTE 1 . . . . .	0800	0870 01
86A	6361013-16	. CABLE ASSY-LOWER RUDDER SERVO REFER TO NOTE 1 . . . . .	0871	& ON 01
87		. RUDDER CONTROL SYSTEM REFER TO 27-20-00 FIGURE 01 . . . . .		RF
88	6361010-1	. CLAMP BLOCK . . . . .	0800	0870 02
88A	7060201-9	. CLAMP BLOCK-HALF . . . . .	0871	0971 01 R
- 88B	6361011-37	. CLAMP BLOCK-HALF . . . . .	0972	& ON 01 R
89	6361010-2	. CLAMP BLOCK . . . . .	0800	0870 02
89A	7060201-10	. CLAMP BLOCK-HALF . . . . .	0871	0971 01 R
- 89B	6361011-38	. CLAMP BLOCK-HALF . . . . .	0972	& ON 01 R
		. ATTACHING PARTS		
90	MS24694-S6	. SCREW . . . . .	0800	0870 03
90A	MS24667-13	. SCREW . . . . .	0871	0971 03 R
- 90B	MS24667-20	. SCREW . . . . .	0972	& ON 03 R
91	NAS1149FN832P	. WASHER . . . . .	0800	0870 03
91A	NAS1149F0332P	. WASHER . . . . .	0871	& ON 01
92	MS21044N08	. NUT . . . . .	0800	0870 03
92A	MS17826-3	. NUT . . . . .	0871	& ON 01
93	AN23-13	. BOLT . . . . .	0871	& ON 01
94	MS24665-134	. COTTER PIN . . . . .	0871	& ON 01
		—*—		

NOTE 1—AIRPLANES -0685, -0800 AND ON INCORPORATING SB525-27-24.

CESSNA®  
**MODEL 525 (SERIALS -0685 AND -0800 AND ON)**  
ILLUSTRATED PARTS CATALOG

A91413



**VIEW A-A**

**GARMIN GFC700 AFCS CONTROLLER  
FIGURE 02 (SHEET 1)**

6310T1168  
AA6319T1558

CESSNA®  
**MODEL 525 (SERIALS -0685 AND -0800 AND ON)**  
 ILLUSTRATED PARTS CATALOG

FIG ITEM	PART NUMBER	1 2 3 4 5 6 7	NOMENCLATURE	UNITS PER ASSY
02				
-			GARMIN GFC700 AFCS CONTROLLER	RF
1	011-01020-10		. AFCS MODE CONTROLLER . . . . . V0TRC3	01
2			. ENGINE FIRE SWITCHES REFER TO 26-20-05 FIGURE 01 . . . . .	RF

- ITEM NOT ILLUSTRATED



**CHAPTER**

**23**

**COMMUNICATIONS**





CESSNA®  
**MODEL 525 (SERIALS -0685 AND -0800 AND ON)**  
 ILLUSTRATED PARTS CATALOG

<b>CHAPTER SECTION SUBJECT</b>		<b>NUMBER OF PAGES</b>	<b>DATE</b>
23 - TITLE			
23 - LIST OF EFFECTIVE PAGES			
23 - RECORD OF TEMPORARY REVISIONS			
23 - TABLE OF CONTENTS			
23-10-00	Figure 01	2	Jun 1/2016
23-10-01	Figure 01	2	Jun 1/2016
23-10-02	Figure 01	2	Jun 1/2018
23-10-02	Figure 02	2	Jun 1/2015
23-16-00	Figure 01	2	Jun 1/2018
23-30-00	Figure 01	2	Nov 1/2013
23-30-01	Figure 01	2	Nov 1/2013
23-50-00	Figure 01	2	Jun 1/2018
23-50-00	Figure 02	2	Jul 1/2014
23-50-00	Figure 03	2	Nov 1/2013
23-50-01	Figure 02	2	Jul 1/2014
23-60-00	Figure 01	2	Nov 1/2013
23-70-00	Figure 01	2	Dec 1/2017





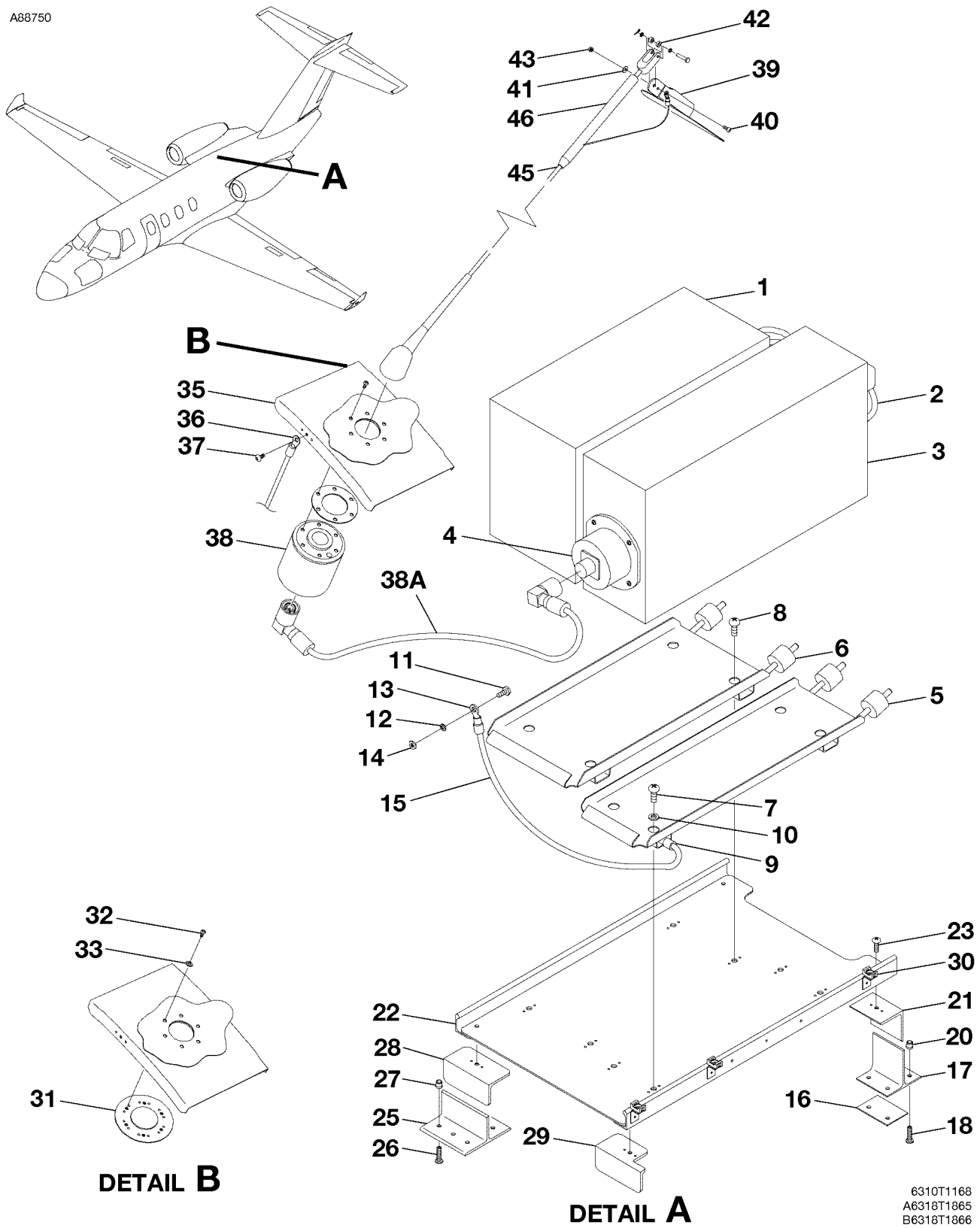


CESSNA®  
**MODEL 525 (SERIALS -0685 AND -0800 AND ON)**  
 ILLUSTRATED PARTS CATALOG

<u>SUBJECT</u>	<u>CHAPTER SECTION SUBJECT</u>	<u>FIGURE</u>	<u>EFFECTIVITY</u>	
			<u>START</u>	<u>END</u>
COLLINS HF-9000 COMMUNICATION SYSTEM	23-10-00	01		
VHF COMMUNICATION SYSTEM	23-10-01	01		
AIRCELL INSTALLATION	23-10-02	01		
IRIDIUM SATELLITE PHONE	23-10-02	02		
SWIFT BROADBAND	23-16-00	01		
CABIN SPEAKER INSTALLATION	23-30-00	01		
CHIME SYSTEM	23-30-01	01		
AUDIO INTEGRATING SYSTEM	23-50-00	01		
PA AMPLIFIER INSTALLATION	23-50-00	02		
CABIN BRIEFER - PBS250	23-50-00	03		
DIGITAL AUDIO SYSTEM	23-50-01	02		
STATIC DISCHARGERS	23-60-00	01		
COCKPIT VOICE RECORDER (CVR)	23-70-00	01		

CESSNA®  
**MODEL 525 (SERIALS -0685 AND -0800 AND ON)**  
 ILLUSTRATED PARTS CATALOG

A88750



COLLINS HF-9000 COMMUNICATION SYSTEM  
 FIGURE 01 (SHEET 1)

6310T1168  
 A6318T1865  
 B6318T1866

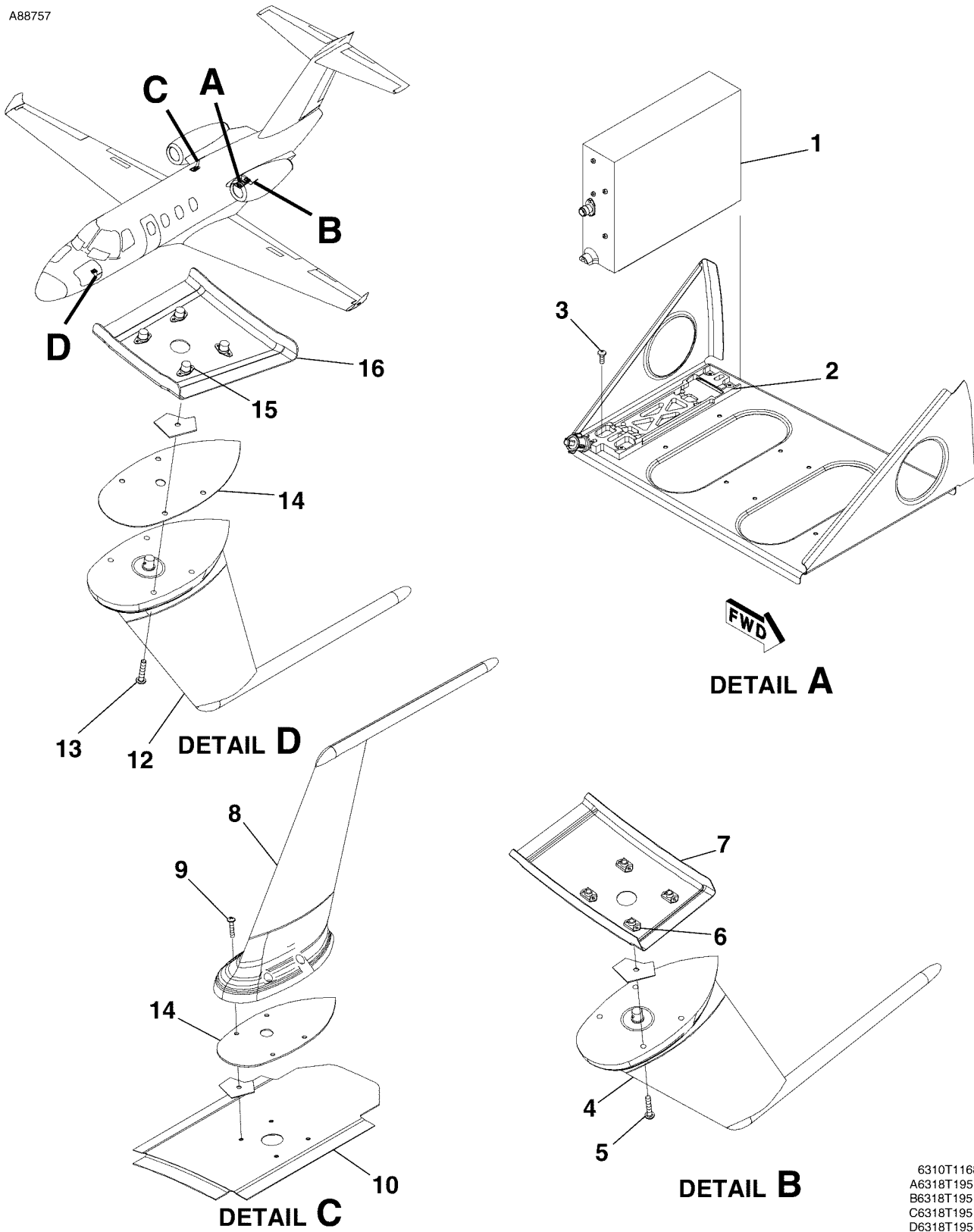
CESSNA®  
**MODEL 525 (SERIALS -0685 AND -0800 AND ON)**  
 ILLUSTRATED PARTS CATALOG

FIG ITEM	PART NUMBER	NOMENCLATURE	UNITS
			PER ASSY
01		COLLINS HF-9000 COMMUNICATION SYSTEM	RF
-			
1	822-0101-002	. RECEIVER/TRANSMITTER . . . . . V4V792	01
2	550-93686-01	. CABLE-FIBER OPTIC . . . . . V66197	02
3	622-8114-002	. COUPLER . . . . . V95105	01
4	685-0355-001	. ADAPTER KIT . . . . . V95105	01
5	622-8121-001	. MOUNT . . . . . V95105	01
6	622-8115-001	. MOUNT . . . . . V95105	01
7	MS27039-4-10	. SCREW . . . . .	01
8	MS27039-4-08	. SCREW . . . . .	07
9	RD10711	. TERMINAL-FSO MS25036-116 . . . . . V56501	NP R
- 9A	MS25036-116	. TERMINAL . . . . .	01 R
10	NAS620-416	. WASHER . . . . .	01
11	AN3-3A	. BOLT . . . . .	01
12	MS35338-43	. WASHER . . . . .	01
13	RD10361	. TERMINAL-FSO MS25036-115 . . . . . V56501	NP R
- 13A	MS25036-115	. TERMINAL . . . . .	01 R
14	MS25082-3	. NUT . . . . .	01
15	C992720	. ELECTRICAL WIRE-BKI . . . . .	AR
16	9110011-4	. SHIM . . . . .	02
17	9110001-13	. TEE . . . . .	02
		ATTACHING PARTS	
18	NAS7035H04	. PIN-LH . . . . .	04
- 19	NAS7035H03	. PIN-RH . . . . .	04
20	NAS1080K05	. COLLAR . . . . .	04
		—*—	
21	9110007-8	. CLIP ASSY . . . . .	02
22	9110007-4	. SHELF ASSY . . . . .	01
		ATTACHING PARTS	
23	MS27039-1-10	. SCREW . . . . .	04
		—*—	
- 24	MS21047L4	. . NUTPLATE . . . . .	08
25	9110001-12	. TEE . . . . .	02
		ATTACHING PARTS	
26	NAS7035H04	. PIN . . . . .	06
27	NAS1080K05	. COLLAR . . . . .	06
		—*—	
28	9110007-10	. CLIP ASSY-RH . . . . .	01
29	9110007-9	. CLIP ASSY-LH . . . . .	01
30	S4132-1	. ANCHOR . . . . .	03
31	9110010-2	. COVER ASSY . . . . .	01
		ATTACHING PARTS	
32	MS35206-229	. SCREW . . . . .	02
33	NAS620-416	. WASHER . . . . .	02
		—*—	
- 34	MS21069L06	. . NUTPLATE . . . . .	06
35	9110001-31	. DOUBLER ASSY . . . . .	01
36	9110001-19	. GROUND WIRE ASSY . . . . .	01
		ATTACHING PARTS	
37	MS35206-242	. SCREW . . . . .	01
		—*—	
38	16390	. INSULATOR ASSY . . . . . V55635	01
38A	500-93392-01	. FEEDLINE . . . . . V66197	01
39	9110002-30	. ANCHOR ASSY . . . . .	01
40	MS35206-214	. SCREW . . . . .	01
41	NAS1149CN416R	. WASHER . . . . .	01
42	NAS42DD4-7FC	. SPACER . . . . .	02
43	MS21042L04	. NUT . . . . .	01
- 44	NAS1291-04	. NUT ALT FOR MS21042L04 . . . . .	01
45	14379-1	. ELECTRICAL CABLE . . . . . V55635	01
46	5ARM300-11C5	. TENSION UNIT . . . . . V55635	01

- ITEM NOT ILLUSTRATED

CESSNA®  
**MODEL 525 (SERIALS -0685 AND -0800 AND ON)**  
 ILLUSTRATED PARTS CATALOG

A88757



VHF COMMUNICATION SYSTEM  
 FIGURE 01 (SHEET 1)

6310T1168  
 A6318T1951  
 B6318T1951  
 C6318T1951  
 D6318T1951



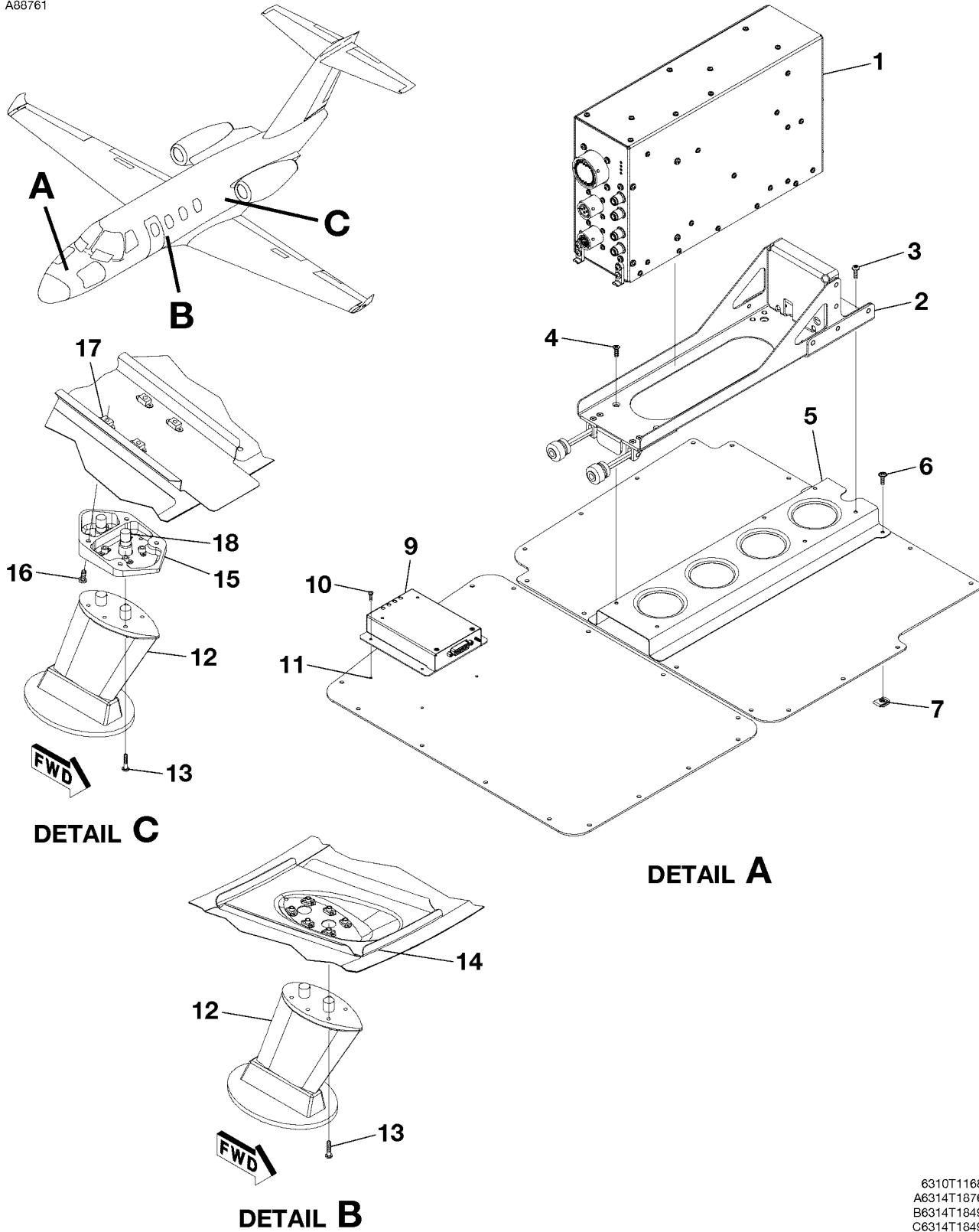
CESSNA®  
**MODEL 525 (SERIALS -0685 AND -0800 AND ON)**  
 ILLUSTRATED PARTS CATALOG

FIG ITEM	PART NUMBER	NOMENCLATURE	UNITS
			PER ASSY
01		VHF COMMUNICATION SYSTEM	RF
-			
1	011-02303-00	. GDR 66-VHF DATA LINK UT500 . . . . . V0TRC3	01
2	011-02477-00	. GDR-66-MOUNT . . . . . V0TRC3	01
		ATTACHING PARTS	
3	MS27039-1-08	. SCREW . . . . .	04
		—*—	
4	VHF10-829	. ANTENNA-YT500 . . . . . V55635	01
		ATTACHING PARTS	
5	MS35207-267	. SCREW . . . . .	04
6	MS21075-3N	. NUTPLATE . . . . .	04
		—*—	
7	9101005-2	. DOUBLER . . . . .	01
8	VHF10-829	. ANTENNA . . . . . V55635	01
		ATTACHING PARTS	
9	MS35207-267	. SCREW . . . . .	04 R
		—*—	
10	9101054-2	. DOUBLER ASSY . . . . .	01
-	NAS1473A3	. . NUTPLATE . . . . .	04
12	VHF10-829	. ANTENNA-YF548 . . . . . V55635	01
		ATTACHING PARTS	
13	MS27039C1-15	. SCREW . . . . .	04
14	TXT898-034	. GASKET-ANTENNA . . . . . V1NPE1	01 R
15	NAS1474C3	. NUTPLATE . . . . .	04 R
		—*—	
16	9101703-3	. DOUBLER . . . . .	01 R

- ITEM NOT ILLUSTRATED

CESSNA®  
MODEL 525 (SERIALS -0685 AND -0800 AND ON)  
ILLUSTRATED PARTS CATALOG

A88761



AIRCELL INSTALLATION  
FIGURE 01 (SHEET 1)

6310T1168  
A6314T1876  
B6314T1849  
C6314T1849

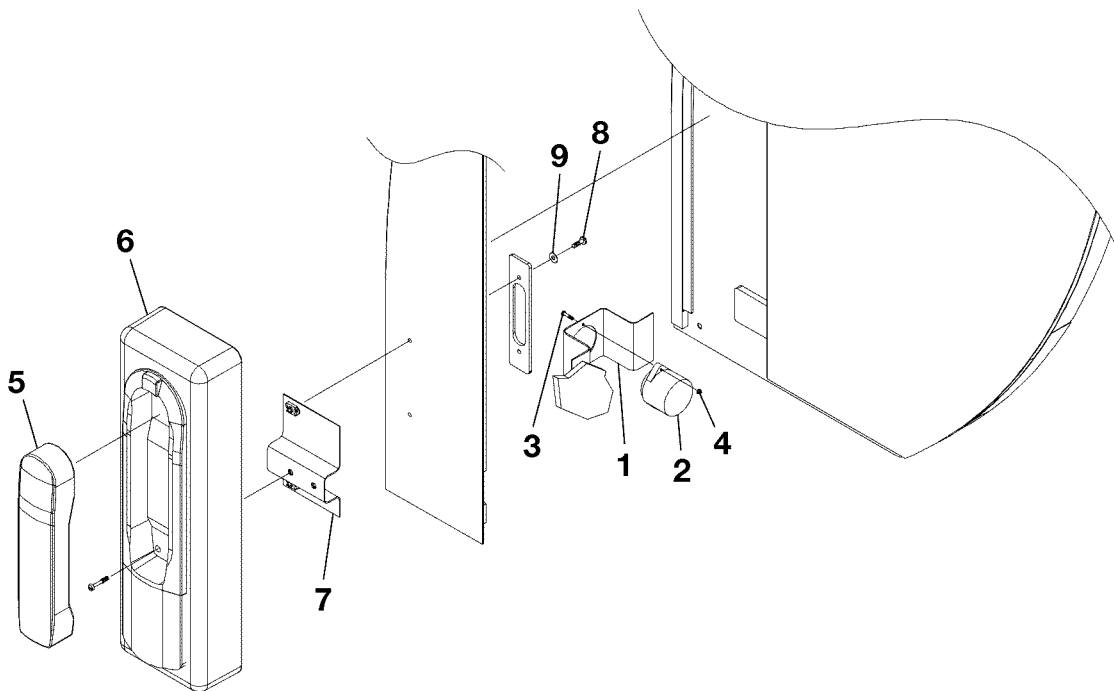
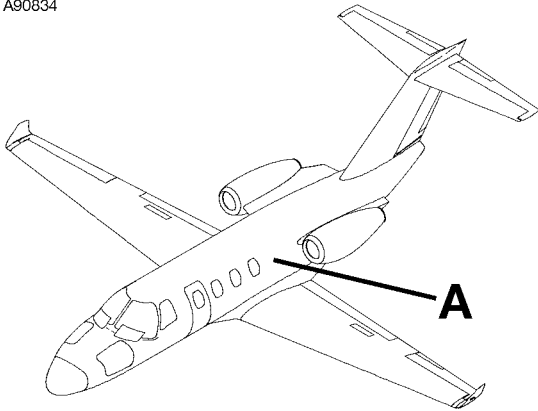
CESSNA®  
**MODEL 525 (SERIALS -0685 AND -0800 AND ON)**  
 ILLUSTRATED PARTS CATALOG

FIG ITEM	PART NUMBER	NOMENCLATURE	UNITS
			PER ASSY
01		AIRCELL INSTALLATION	RF
-			
1	P15864-001	. COMPUTER-UN512 . . . . . V1NQ67	01
2	P14291-002	. MOUNTING TRAY . . . . . V1NQ67	01
		. ATTACHING PARTS	
3	MS35206-245	. SCREW . . . . .	02
4	MS24693-S50	. SCREW . . . . .	04
		—*—	
5	9101711-7	. HAT ASSY . . . . .	01 R
		. ATTACHING PARTS	
6	AN525-832R8	. SCREW . . . . .	02 R
7	S1477-08	. NUT . . . . .	02 R
		—*—	
- 8	MS21075L08N	. . . . . NUTPLATE . . . . .	06
9	P14126	. AIRCELL CONFIGURATION MODULE-UN514 . . . . . V1NQ67	01
		. ATTACHING PARTS	
10	MS35206-215	. SCREW . . . . .	04
11	MS21075L04N	. NUTPLATE . . . . .	04 R
		—*—	
12	P12949	. ANTENNA-AIR-TO-GROUND . . . . . V1NQ67	02
		. ATTACHING PARTS	
13	MS27039C0812	. SCREW . . . . .	06
		—*—	
14	9101709-2	. SPACER ASSY-FWD . . . . .	01
15	9101710-2	. ADAPTER ASSY-AFT . . . . .	01
		. ATTACHING PARTS	
16	MS27039C1-08	. SCREW . . . . .	04
17	MS21059L3	. NUTPLATE . . . . .	04
		—*—	
18	BA4000	. EXTENSION . . . . . V43321	02

- ITEM NOT ILLUSTRATED

CESSNA®  
MODEL 525 (SERIALS -0685 AND -0800 AND ON)  
ILLUSTRATED PARTS CATALOG

A90834



**DETAIL A**

IRIDIUM SATELLITE PHONE  
FIGURE 02 (SHEET 1)

6310T1168  
A6314T1878

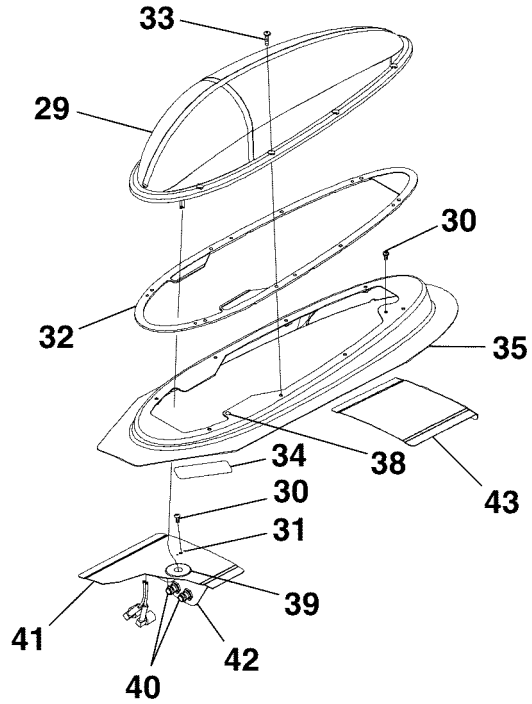
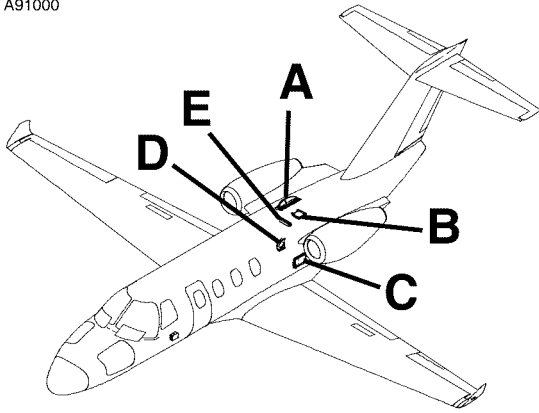
CESSNA®  
**MODEL 525 (SERIALS -0685 AND -0800 AND ON)**  
 ILLUSTRATED PARTS CATALOG

FIG ITEM	PART NUMBER	NOMENCLATURE	UNITS	
			PER	ASSY
02		IRIDIUM SATELLITE PHONE		RF
-				
1	4711978-6	. BRACKET-PHONE RINGER . . . . .		01
2	938035-00-3	. PHONE RINGER . . . . . V088F2		01
		ATTACHING PARTS		
3	MS35206-206	. SCREW . . . . .		02
4	MS21042-02	. NUT . . . . .		02
		—*—		
5	744000-10-70	. PHONE HANDSET . . . . . V088F2		01
6	4711978-2	. UPHOLSTERY ASSY-PHONE CLOSEOUT . . . . .		01
7	4711978-4	. BRACKET ASSY-PHONE BRACKET . . . . .	0800	0874 01 R
- 7A	4711978-8	. BRACKET ASSY-PHONE BRACKET . . . . .	0875	& ON 01 R
		ATTACHING PARTS		
8	MS35206-229	. SCREW . . . . .	0800	0874 02 R
- 8A	MS24693-S29	. SCREW . . . . .	0875	& ON 02 R
9	NAS1149FN616P	. WASHER . . . . .	0800	0874 02 R
		—*—		
- 10	MS21076L06N	. . . NUTPLATE . . . . .		04
- 11	4711978-5	. . . PHONE HANDSET BRACKET . . . . .	0800	0874 01 R
- 11A	4711978-9	. . . PHONE HANDSET BRACKET . . . . .	0875	& ON 01 R

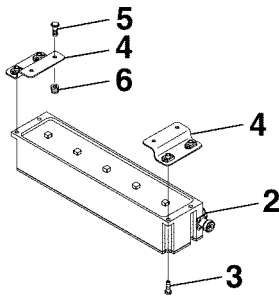
- ITEM NOT ILLUSTRATED

CESSNA®  
**MODEL 525 (SERIALS -0685 AND -0800 AND ON)**  
 ILLUSTRATED PARTS CATALOG

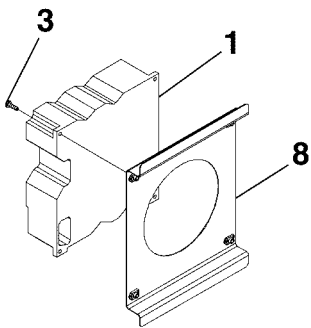
A91000



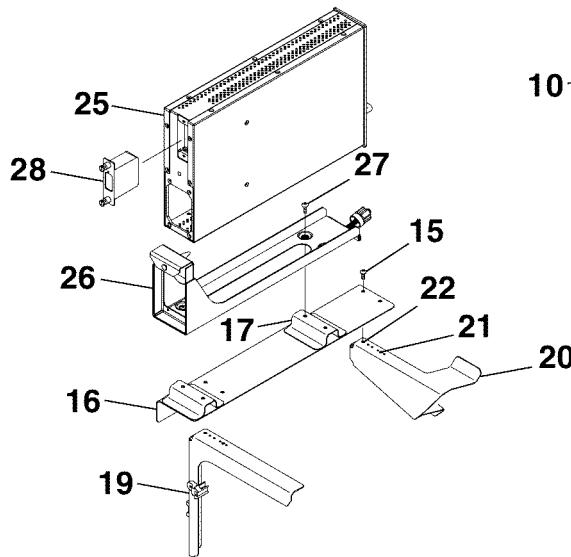
**DETAIL A**



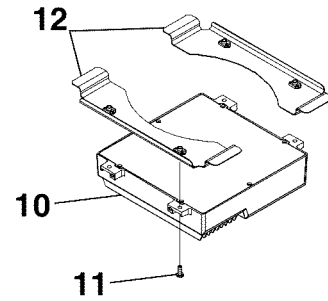
**DETAIL E**



**DETAIL D**



**DETAIL C**



**DETAIL B**

SWIFT BROADBAND  
 FIGURE 01 (SHEET 1)

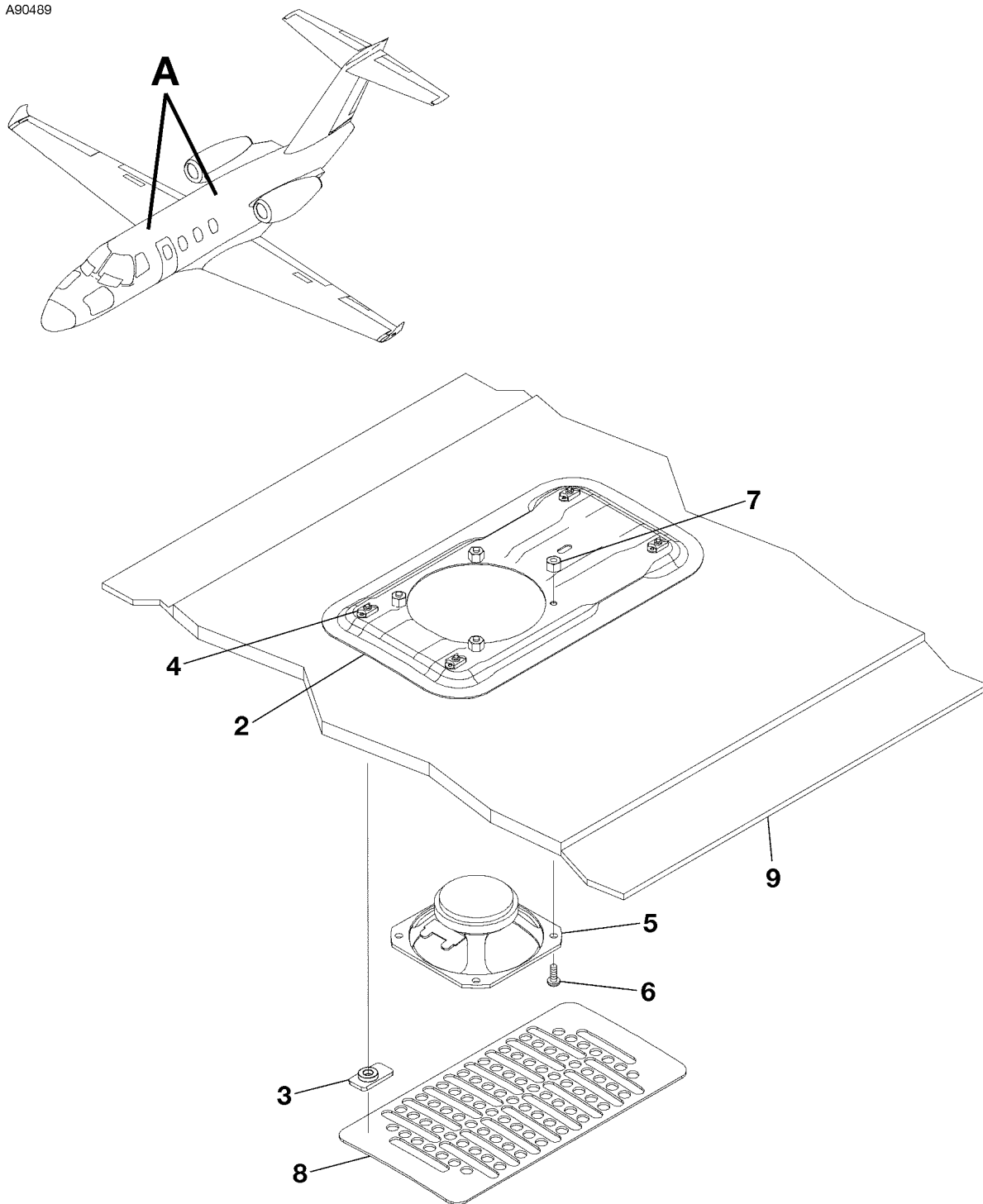
6310T1168  
 A6318T1968  
 B6318T1968  
 C6318T1968  
 D6318T1968  
 E6318T1968

CESSNA®  
**MODEL 525 (SERIALS -0685 AND -0800 AND ON)**  
 ILLUSTRATED PARTS CATALOG

FIG ITEM	PART NUMBER	NOMENCLATURE	UNITS PER ASSY
01		SWIFT BROADBAND	RF
- 1	P13167	. IRIIDIUM FILTER-DUAL UT553 . . . . . V1NQ67	01
2	405019A	. IRIIDIUM FILTER-SINGLE UT518 . . . . . V0U8J3	01
		ATTACHING PARTS	
3	MS27039-1-10	. SCREW . . . . .	04
		—*—	
4	9101706-5	. ZEE ASSY . . . . .	02
		ATTACHING PARTS	
5	HL18PB5-4	. PIN-HI-LOK . . . . . V73197	02
6	HL70-5	. COLLAR-HI-LOK . . . . . V73197	02
		—*—	
- 7	MS21075L3N	. . NUTPLATE . . . . .	02
8	9101706-3	. HAT ASSY . . . . .	01
- 9	MS21075L3N	. . NUTPLATE . . . . .	04
10	405016A	. HI-POWER INMARSAT LOW NOISE AMP (LNA) UT519 . . . . . V0U8J3	01
		ATTACHING PARTS	
11	MS27039-1-08	. SCREW . . . . .	04
		—*—	
12	9101708-5	. BRACKET ASSY . . . . .	02
- 13	MS21075L3N	. . NUTPLATE . . . . .	02
- 14	9101708-3	. SHELF ASSY . . . . .	01
		ATTACHING PARTS	
15	NAS602-7	. SCREW . . . . .	06
		—*—	
16	9101708-4	. . SHELF . . . . .	01
17	9101708-7	. . HAT ASSY . . . . .	02
- 18	MS21075L08N	. . NUTPLATE . . . . .	02
19	9123039-6	. BRACKET ASSY-FWD . . . . .	01
20	9123039-5	. BRACKET-AFT . . . . .	01
		ATTACHING PARTS	
21	MS21075L08N	. NUTPLATE . . . . .	02
22	MS21051L08	. NUTPLATE . . . . .	01
		—*—	
- 23	S4132-1	. . ANCHOR-FWD . . . . .	01
- 24	S1741-5	. . ANCHOR-FWD . . . . .	01
25	405040A	. THRANE & THRANE SWIFT BROADBAND UNIT UT517 . . . . . V0U8J3	01
26	200-92045-102	. TRAY . . . . . V66197	01
		ATTACHING PARTS	
27	MS27039-0807	. SCREW . . . . .	04
		—*—	
28	P13242-002	. SWIFT BROADBAND UNIT CONFIGURATION MODULE UT515 . . . . . V1NQ67	01
29	405006A-PMA	. SATCOM ANTENNA YT502 FSO 677-A0002 . . . . . V0U8J3	NP R
- 29A	677-A0002	. SATCOM ANTENNA YT502 . . . . . V0U8J3	01 R
		ATTACHING PARTS	
30	MS35206-243	. SCREW . . . . .	02
31	NAS1474C08	. NUTPLATE . . . . .	01
		—*—	
32	200-23389-33	. ADAPTER PLATE . . . . . V66197	01
		ATTACHING PARTS	
33	MS27039C1-12	. SCREW . . . . .	08
		—*—	
34	9101707-8	. PLACARD-SWIFT ANTENNA . . . . .	01
35	9101707-3	. SPACER ASSY . . . . .	01
- 36	MS21075L08N	. . NUTPLATE . . . . .	01
- 37	MS21075L3N	. . NUTPLATE . . . . .	08
38	200-23552-01	. RUBBER PAD . . . . . V66197	01
39	MS35489-44	. GROMMET . . . . .	01
40	5-70-30	. ADAPTER . . . . . V05209	02
41	9101707-5	. DOUBLER-FWD . . . . .	01
42	9101720-5	. CONNECTOR BRACKET-FWD . . . . .	01
43	9101707-6	. DOUBLER-AFT . . . . .	01

CESSNA®  
MODEL 525 (SERIALS -0685 AND -0800 AND ON)  
ILLUSTRATED PARTS CATALOG

A90489



**DETAIL A**

CABIN SPEAKER INSTALLATION  
FIGURE 01 (SHEET 1)

6310T1168  
A6311T1225



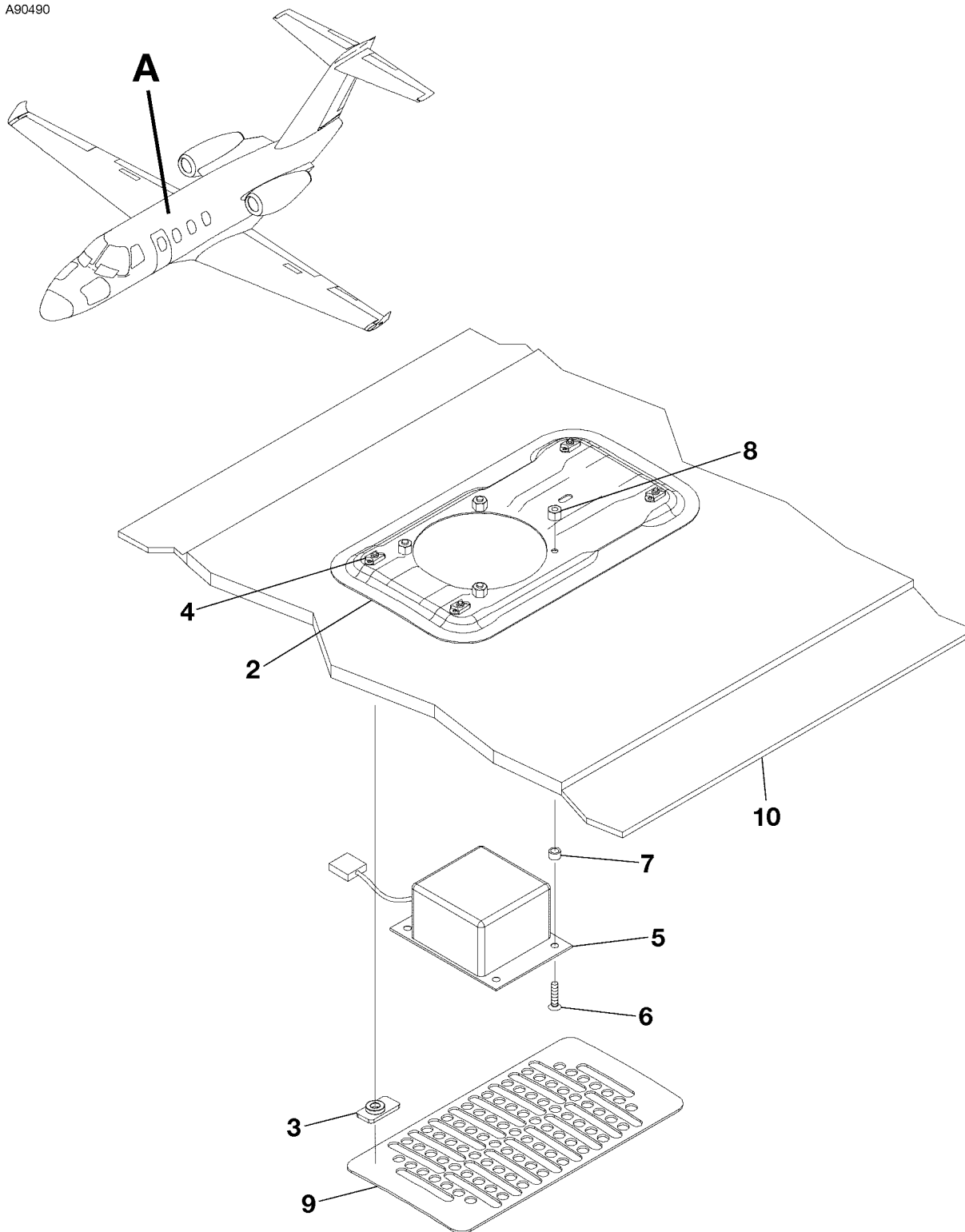
CESSNA®  
**MODEL 525 (SERIALS -0685 AND -0800 AND ON)**  
 ILLUSTRATED PARTS CATALOG

FIG ITEM	PART NUMBER	NOMENCLATURE	UNITS
			PER ASSY
01			
-		CABIN SPEAKER INSTALLATION	RF
- 1	4711899-6	. SPEAKER ASSY-OVERHEAD . . . . .	02
2	4711899-7	. . BRACKET . . . . .	01
		ATTACHING PARTS	
3	4711899-17	. . MAGNET ASSY . . . . .	04
4	MS21075L04N	. . NUTPLATE . . . . .	04
		—*—	
5	DC32S	. . LOUDSPEAKER . . . . . V14208	01
		ATTACHING PARTS	
6	MS35206-244	. . SCREW . . . . .	04
7	MS21044B08	. . NUT . . . . .	04
		—*—	
8	4711899-10	. . GRILL ASSY . . . . .	01
9		. CABIN OVERHEAD REFER TO 25-20-00 FIGURE 01 . . . . .	RF

- ITEM NOT ILLUSTRATED

CESSNA®  
MODEL 525 (SERIALS -0685 AND -0800 AND ON)  
ILLUSTRATED PARTS CATALOG

A90490



**DETAIL A**

CHIME SYSTEM  
FIGURE 01 (SHEET 1)

6310T1168  
A6311T1225

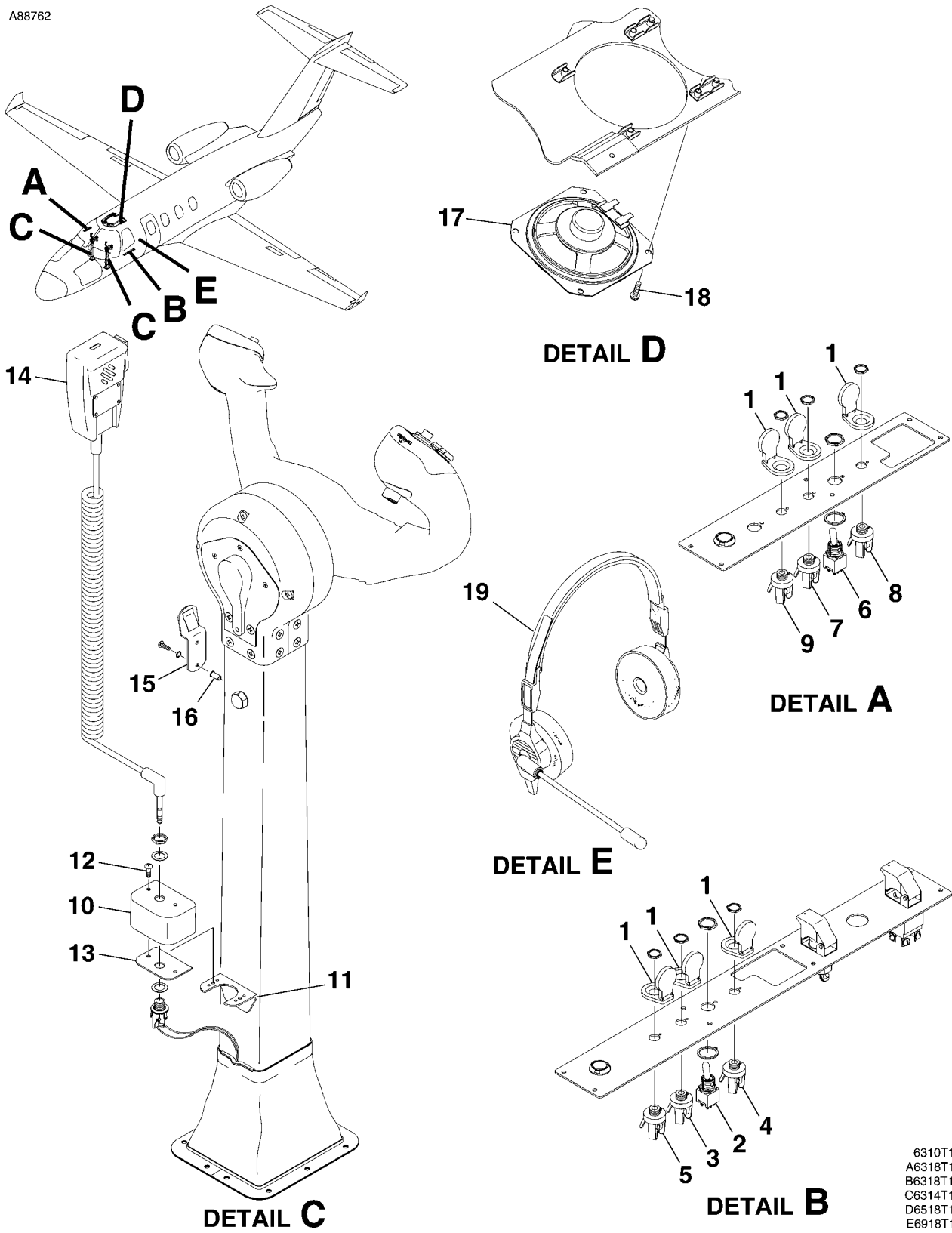
CESSNA®  
**MODEL 525 (SERIALS -0685 AND -0800 AND ON)**  
 ILLUSTRATED PARTS CATALOG

FIG ITEM	PART NUMBER	1 2 3 4 5 6 7	NOMENCLATURE	UNITS PER ASSY
01			CHIME SYSTEM	RF
-			. CHIME ASSY . . . . .	01
- 1	4711899-8		. . BRACKET . . . . .	01
2	4711899-9		. . . . . ATTACHING PARTS	
3	4711899-17		. . . . . MAGNET ASSY . . . . .	04
4	MS21075L04N		. . . . . NUTPLATE . . . . .	04
			—*—	
5	9910551-1		. . . . . ELECTRONIC CHIME . . . . .	01
			. . . . . ATTACHING PARTS	
6	MS24693-S51		. . . . . SCREW . . . . .	04
7	NAS43DD3-12FC		. . . . . SPACER . . . . .	04
8	MS21044B08		. . . . . NUT . . . . .	04
			—*—	
9	4711899-10		. . . . . GRILL ASSY . . . . .	01
10			. . . . . CABIN OVERHEAD REFER TO 25-20-00 FIGURE 01 . . . . .	RF

- ITEM NOT ILLUSTRATED

CESSNA®  
**MODEL 525 (SERIALS -0685 AND -0800 AND ON)**  
 ILLUSTRATED PARTS CATALOG

A88762



AUDIO INTEGRATING SYSTEM  
 FIGURE 01 (SHEET 1)

6310T1168  
 A6318T1867  
 B6318T1848  
 C6314T1079  
 D6518T1470  
 E6918T1274

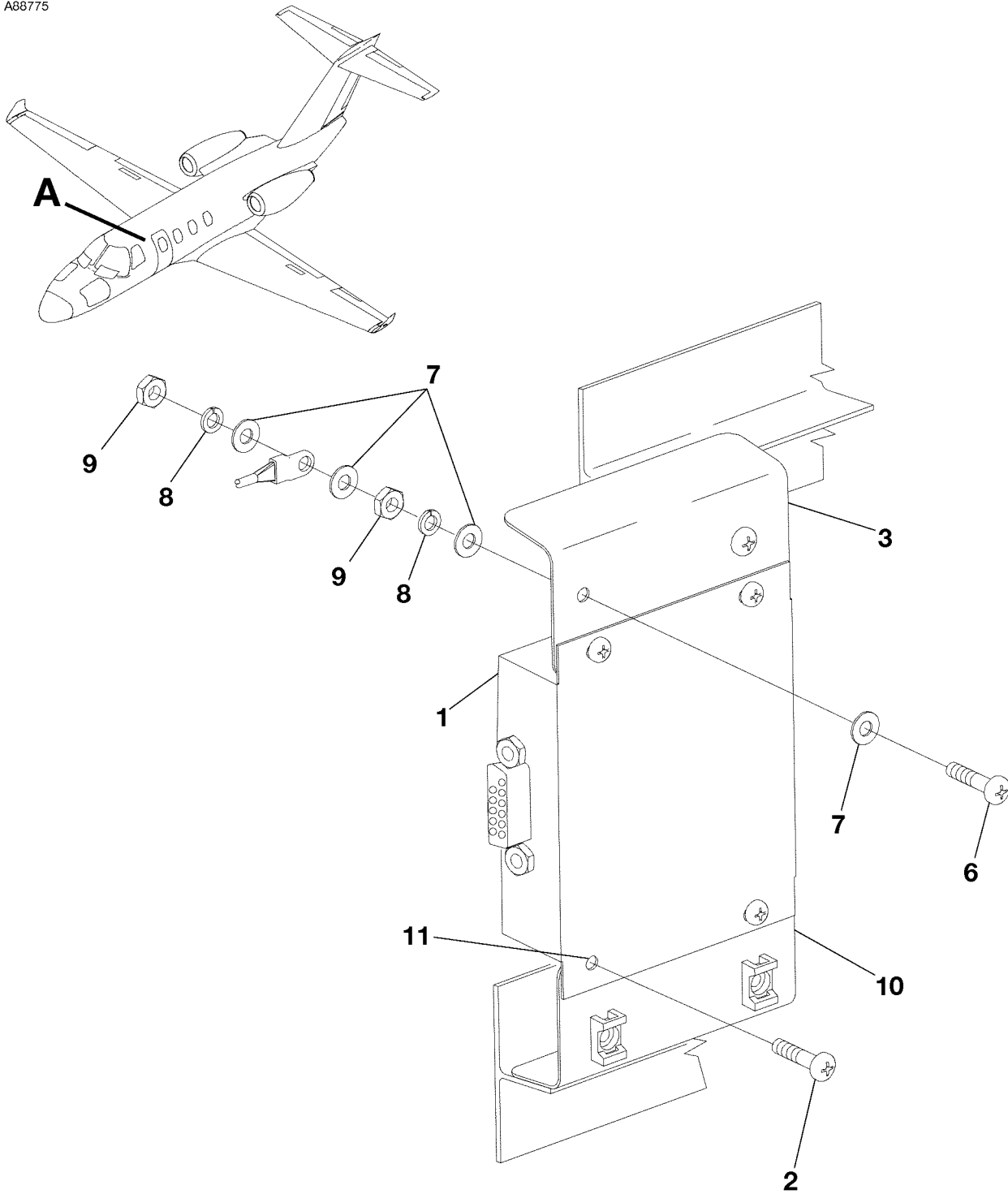
CESSNA®  
**MODEL 525 (SERIALS -0685 AND -0800 AND ON)**  
 ILLUSTRATED PARTS CATALOG

FIG ITEM	PART NUMBER	NOMENCLATURE	UNITS	
			PER	ASSY
01		AUDIO INTEGRATING SYSTEM		RF
-				
1	515	. COVER-SIDE CONSOLE JACK . . . . . V82389		06
2	MS90311-231	. SWITCH-MIC SELECT SC516 . . . . .		01
3	S1102-1X	. JACK-LH HEADSET MIC JC505 . . . . .		01
4	S1102-1X	. JACK-LH OXYGEN MASK MIC JC506 . . . . .		01
5	S1103-1	. JACK-LH PHONE JC507 . . . . .		01
6	MS90311-231	. SWITCH-RH OXYGEN MASK MIC SF516 . . . . . V81640		01
7	S1102-1X	. JACK-RH HEADSET MIC JF509 . . . . .		01
8	S1102-1X	. JACK-RH OXYGEN MASK MIC JF506 . . . . .		01
9	S1102-3	. JACK-MICROPHONE JACK JF507 . . . . .		01
10	9215016-7	. SHIELD-MICROPHONE JACK . . . . .		02
11	9215016-8	. ANGLE ASSY . . . . .		02
		ATTACHING PARTS		
12	MS35206-229	. SCREW . . . . .		02
		—*—		
13	9215016-6	. INSULATOR-MICROPHONE JACK . . . . .		02
14	C596502-0202	. MICROPHONE ASSY . . . . .		02
15	C596501-0103	. MOUNTING KIT-MICROPHONE . . . . .		02
16	H111F1C65-070M	. INSERT . . . . . V71286		04
17	EN4S-4FR	. SPEAKER . . . . . V14208		02
		ATTACHING PARTS		
18	MS35206-246	. SCREW . . . . .		04
		—*—		
19	S2800-1266	. HMEC 26 STEREO HEADSETS . . . . . 0800	0979	02 R
- 19A	324843-2040	. HEADSET . . . . . V32108 0980	& ON	02 R

- ITEM NOT ILLUSTRATED

CESSNA®  
MODEL 525 (SERIALS -0685 AND -0800 AND ON)  
ILLUSTRATED PARTS CATALOG

A88775



**DETAIL A**

PA AMPLIFIER INSTALLATION  
FIGURE 02 (SHEET 1)

6310T1168  
A63181T550A

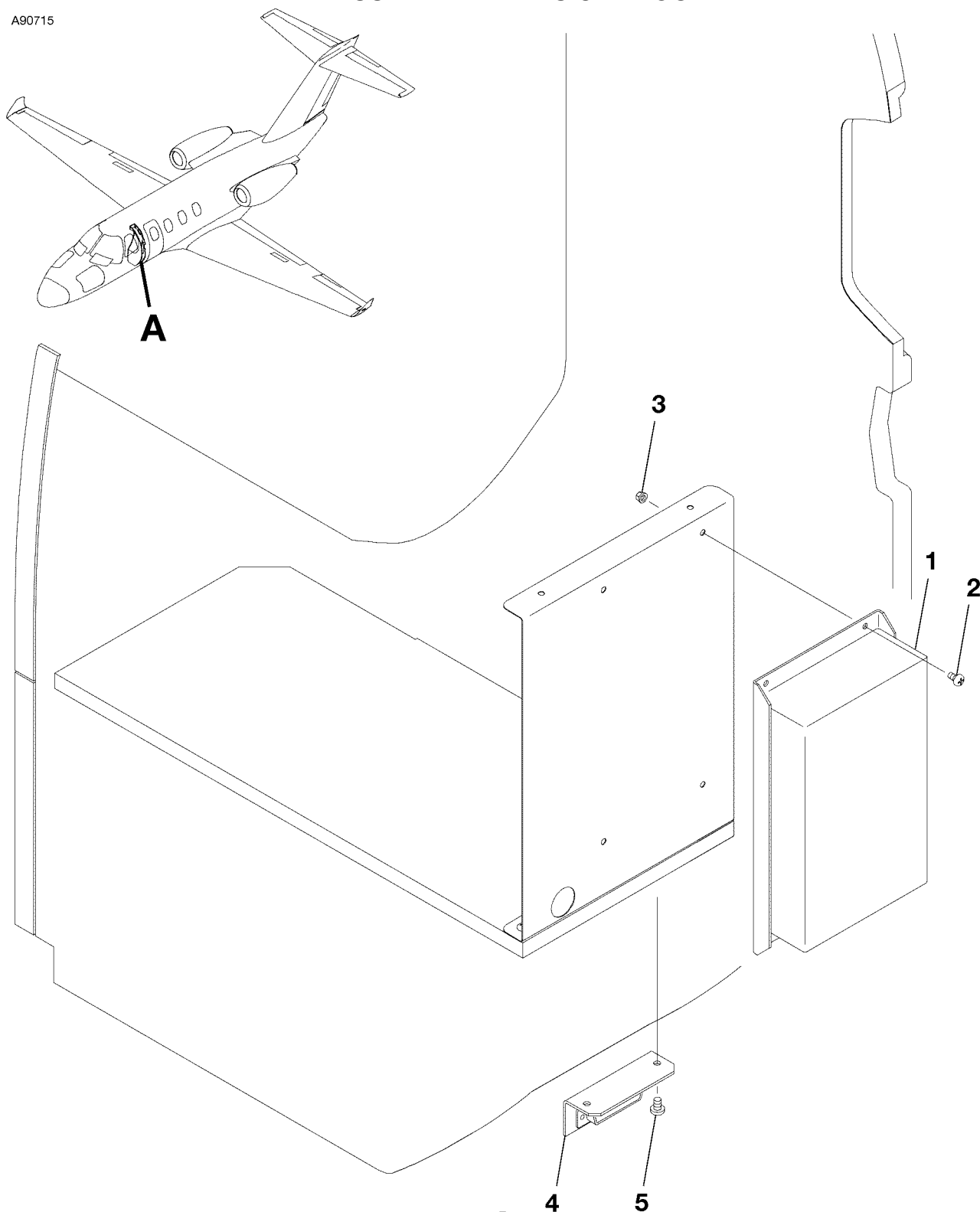
CESSNA®  
**MODEL 525 (SERIALS -0685 AND -0800 AND ON)**  
 ILLUSTRATED PARTS CATALOG

FIG ITEM	PART NUMBER	NOMENCLATURE	UNITS
			PER ASSY
02			
-		PA AMPLIFIER INSTALLATION	RF
1	102025-1	. PA AMPLIFIER . . . . . VMCCI	NP
		ATTACHING PARTS	
2	MS27039-0807	. SCREW . . . . .	04 R
3	9115010-12	. BRACKET ASSY . . . . .	01 R
- 4	MS21059L08	. . NUTPLATE . . . . .	02 R
- 5	6318104-2	. . GROUND STUD . . . . .	01 R
6	MS35207-266	. . . SCREW . . . . .	01 R
7	NAS1149D0316H	. . . WASHER . . . . .	04 R
8	MS35338-157	. . . LOCK WASHER . . . . .	02 R
9	MS35650-305T	. . . NUT . . . . .	02 R
10	9115011-2	. BRACKET ASSY . . . . .	01 R
11	MS21059L08	. . NUTPLATE . . . . .	02 R

- ITEM NOT ILLUSTRATED

CESSNA®  
MODEL 525 (SERIALS -0685 AND -0800 AND ON)  
ILLUSTRATED PARTS CATALOG

A90715



**DETAIL A**

CABIN BRIEFER - PBS250  
FIGURE 03 (SHEET 1)

6310T1168  
A6318T1965



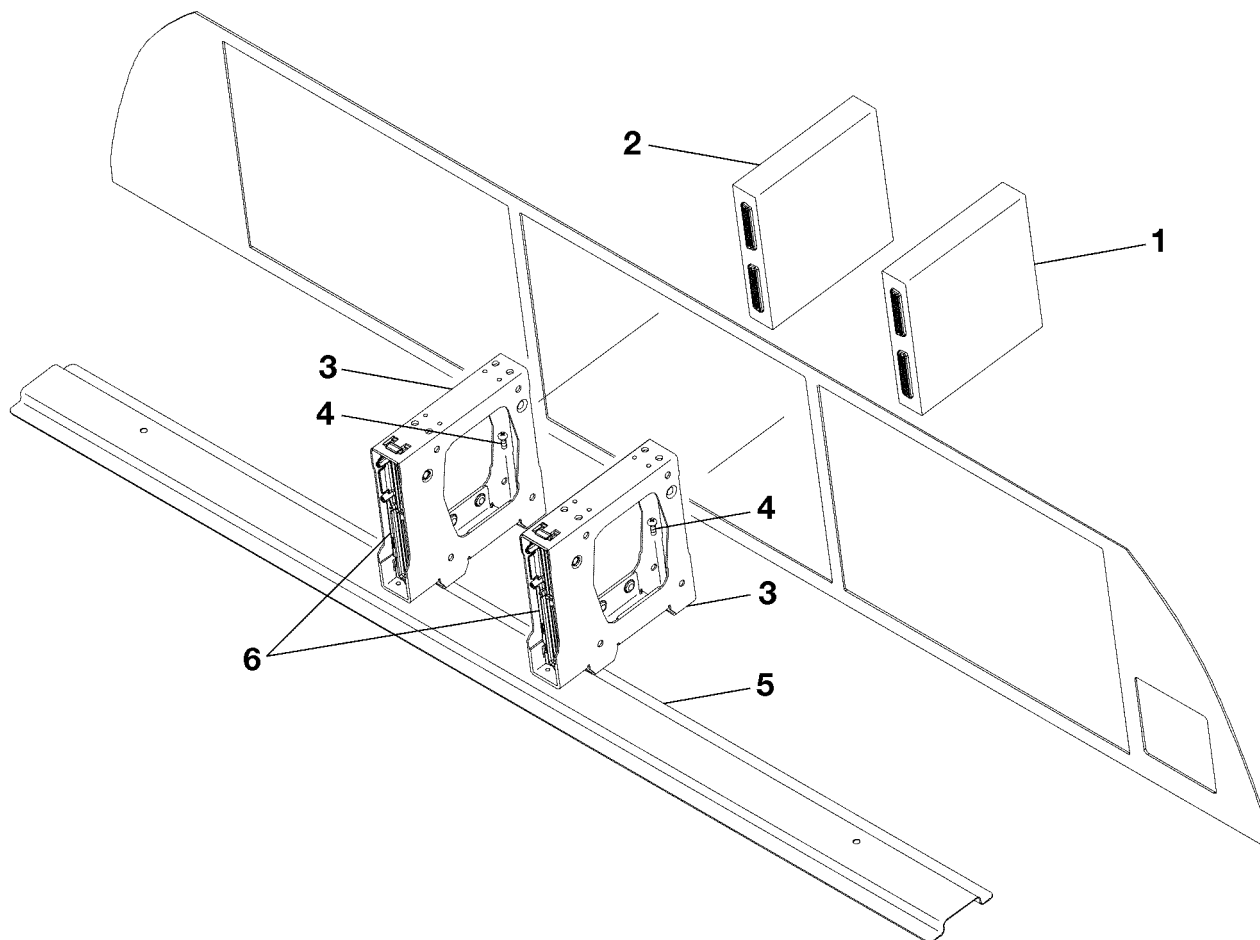
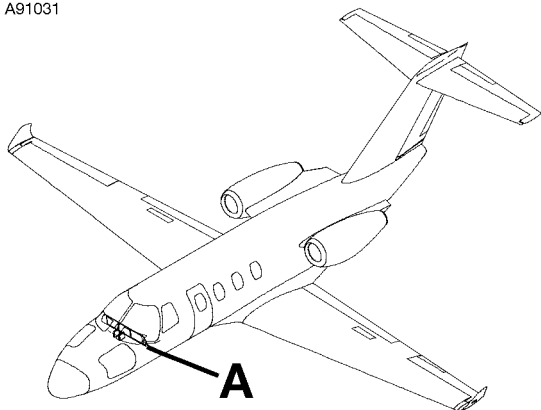
CESSNA®  
**MODEL 525 (SERIALS -0685 AND -0800 AND ON)**  
 ILLUSTRATED PARTS CATALOG

FIG ITEM	PART NUMBER	1 2 3 4 5 6 7	NOMENCLATURE	UNITS PER ASSY
03				
-			CABIN BRIEFER - PBS250	RF
1	PBS250-1S8C5251		. COMPUTER-CABIN BRIEFER . . . . . V0GZF3	01
			ATTACHING PARTS	
2	MS35206-226		. SCREW . . . . .	04
3	MS21042-06		. NUT . . . . .	04
			—*—	
4	CAB602		. CABLE ASSY . . . . . V0GZF3	01
			ATTACHING PARTS	
5	MS35206-241		. SCREW . . . . .	02
			—*—	

- ITEM NOT ILLUSTRATED

CESSNA®  
MODEL 525 (SERIALS -0685 AND -0800 AND ON)  
ILLUSTRATED PARTS CATALOG

A91031



**DETAIL A**

DIGITAL AUDIO SYSTEM  
FIGURE 02 (SHEET 1)

6310T1168  
A6318T1967

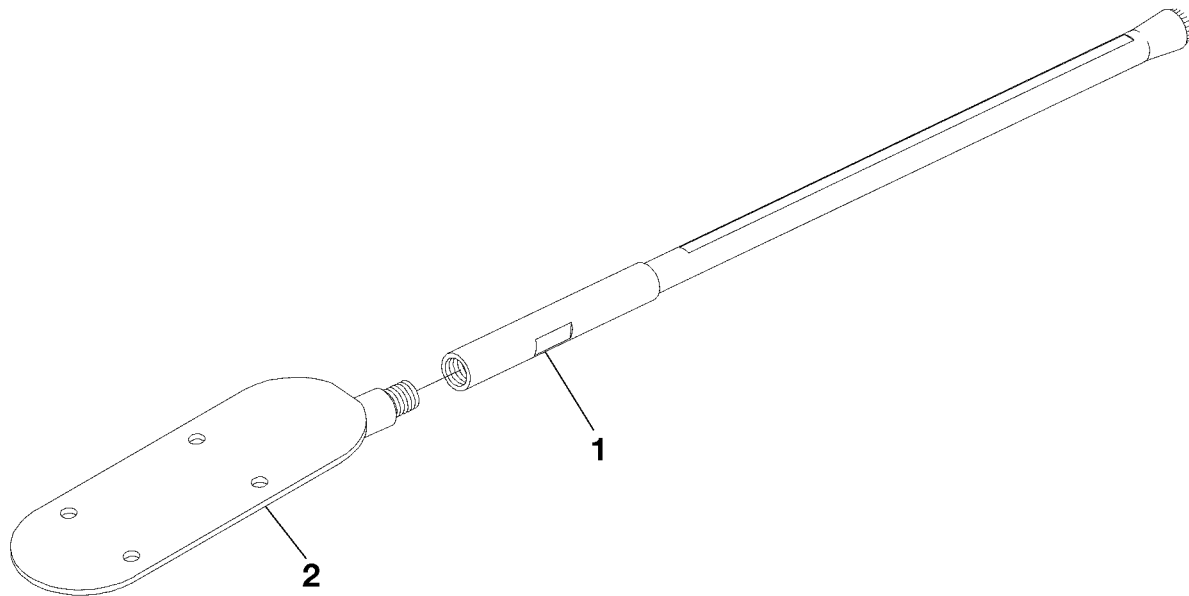
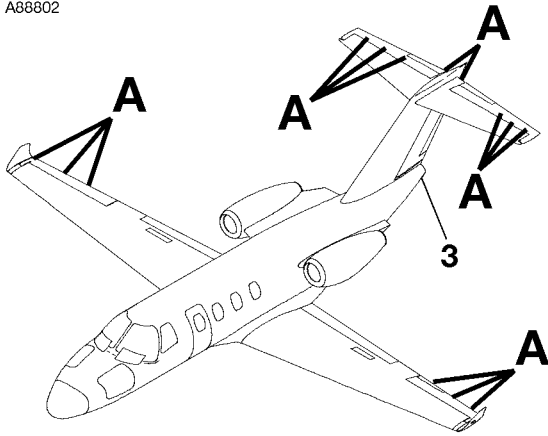
CESSNA®  
**MODEL 525 (SERIALS -0685 AND -0800 AND ON)**  
 ILLUSTRATED PARTS CATALOG

FIG ITEM	PART NUMBER	1 2 3 4 5 6 7	NOMENCLATURE	UNITS PER ASSY
02				
-			DIGITAL AUDIO SYSTEM	RF
1	011-01793-00		. GMA 36 REMOTE AUDIO-LH UI511 . . . . . V0TRC3	01
2	011-01793-00		. GMA 36 REMOTE AUDIO-RH UI512 . . . . . V0TRC3	01
3	115-01406-00		. GMA 36 REMOTE RACK . . . . . V0TRC3	02
			ATTACHING PARTS	
4	MS35206-245		. SCREW . . . . .	04
			—*—	
5			. SUPPORT-INSTRUMENT PANEL REFER TO 53-20-01 FIGURE 01 . . . . .	RF
6	011-01794-00		. BACK PLATE . . . . . V0TRC3	02 R

- ITEM NOT ILLUSTRATED

CESSNA®  
MODEL 525 (SERIALS -0685 AND -0800 AND ON)  
ILLUSTRATED PARTS CATALOG

A88802



**DETAIL A**

STATIC DISCHARGERS  
FIGURE 01 (SHEET 1)

6310T1168  
A6314T1080

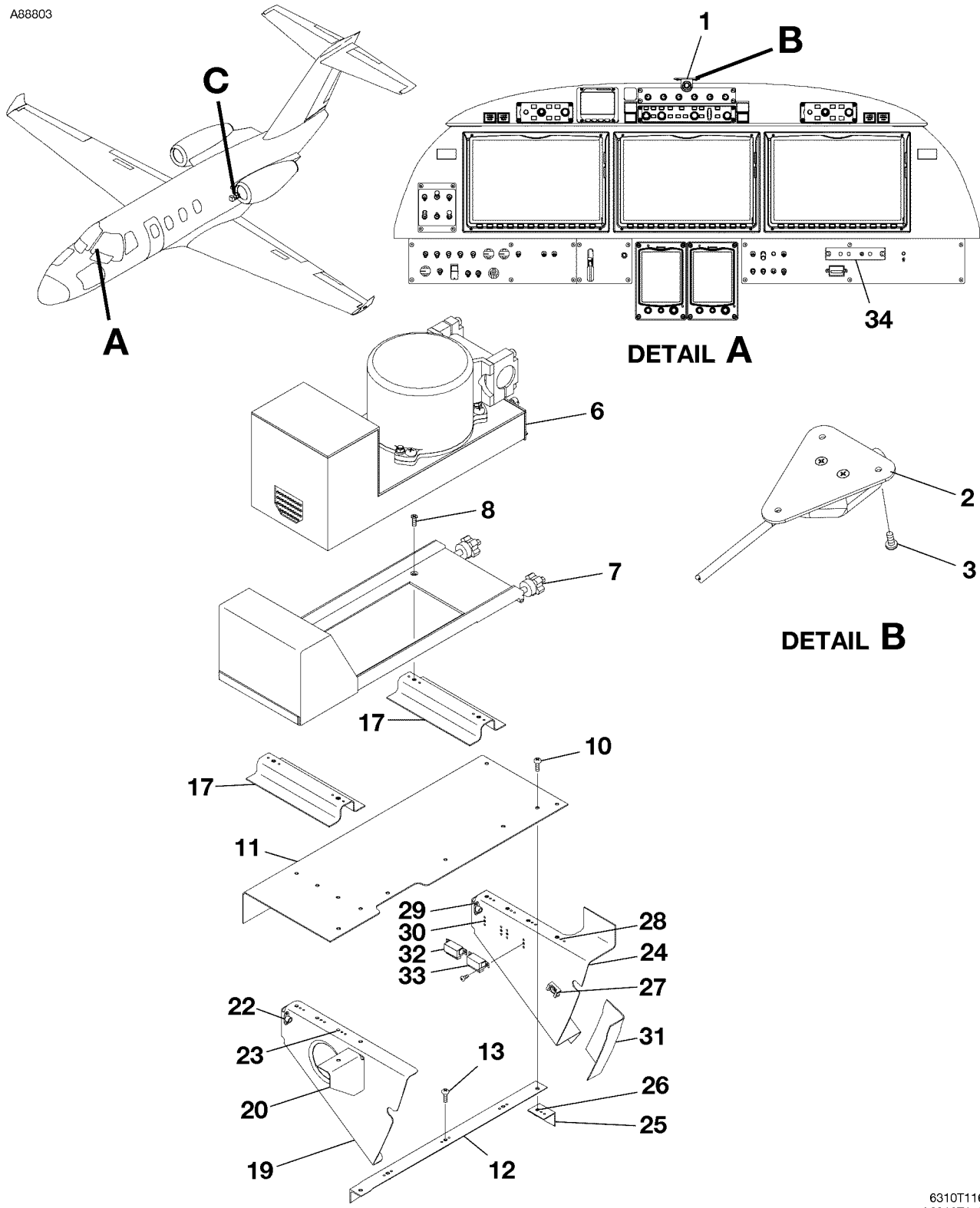
CESSNA®  
**MODEL 525 (SERIALS -0685 AND -0800 AND ON)**  
 ILLUSTRATED PARTS CATALOG

FIG ITEM	PART NUMBER	1 2 3 4 5 6 7	NOMENCLATURE	UNITS PER ASSY
01			STATIC DISCHARGERS	RF
-			. STATIC WICK . . . . . V55635	14
1	16920		. BASE ASSY-STATIC WICK . . . . . V55635	14
2	15401		. STATIC WICK-STINGER REFER TO 53-40-00 FIGURE 01 . . . . .	RF
3				

- ITEM NOT ILLUSTRATED

CESSNA®  
**MODEL 525 (SERIALS -0685 AND -0800 AND ON)**  
 ILLUSTRATED PARTS CATALOG

A88803



**DETAIL C**  
 COCKPIT VOICE RECORDER (CVR)  
 FIGURE 01 (SHEET 1)

6310T1168  
 A6318T1524  
 B6318T1524  
 C6318T1953

CESSNA®  
**MODEL 525 (SERIALS -0685 AND -0800 AND ON)**  
 ILLUSTRATED PARTS CATALOG

FIG ITEM	PART NUMBER	NOMENCLATURE	UNITS			
			PER	ASSY		
01		COCKPIT VOICE RECORDER (CVR)				RF
-						
1	S055-0067-00	. MICROPHONE-CVR . . . . .				01
2	9154707-2	. MIC PLATE ASSY-CVR . . . . .				01
		ATTACHING PARTS				
3	MS35206-227	. SCREW . . . . .				03
		—*—				
- 4	8718107-30	. . . MIC PLATE . . . . .				01
		ATTACHING PARTS				
- 5	MS24693-S24	. . . SCREW . . . . .				02
		—*—				
6	2100-1025-22	. COCKPIT VOICE RECORDER-UT507 . . . . .	V06141	0800	0915	01
- 6A	S3100-622	. COCKPIT VOICE RECORDER ALT FOR 2100-1025-22 (HW MOD 15 & ON)		0916	& ON	01 R
		UT507 . . . . .				
7	200-91000-101	. TRAY . . . . .	V66197			01
		ATTACHING PARTS				
8	MS24694-S50	. SCREW . . . . .				04
		—*—				
- 9	9122701-7	. SHELF ASSY . . . . .				01
		ATTACHING PARTS				
10	MS35206-245	. SCREW . . . . .				12
		—*—				
11	9122701-8	. . . SHELF ASSY . . . . .				01
12	9122006-13	. . . ANGLE ASSY . . . . .				01
		ATTACHING PARTS				
13	MS35206-245	. . . SCREW . . . . .				03
		—*—				
- 14	MS21069-03	. . . NUTPLATE . . . . .				03
- 15	MS21069-08	. . . NUTPLATE . . . . .				03
- 16	MS21071-08	. . . NUTPLATE . . . . .				01
17	9254158-13	. . . HAT ASSY . . . . .				02
- 18	MS21047L08	. . . NUTPLATE . . . . .				02
19	9122701-4	. BRACKET ASSY . . . . .				01
20	9122006-9	. . . BRACKET . . . . .				01
- 21	9122701-5	. . . BRACKET ASSY . . . . .				01
22	MS21069L08	. . . NUTPLATE . . . . .				01
23	MS21071L08	. . . NUTPLATE . . . . .				03
24	9122006-4	. BRACKET ASSY-AFT . . . . .				01
25	9122006-10	. . . ANGLE ASSY . . . . .				01
26	MS21071L08	. . . NUTPLATE . . . . .				01
27	S1741-1	. . . ANCHOR . . . . .				01
28	MS21071L08	. . . NUTPLATE . . . . .				04
29	MS21069L08	. . . NUTPLATE . . . . .				01
30	MS21075L04N	. . . NUTPLATE . . . . .				04
31	9122006-17	. . . ANGLE . . . . .				01
32	M39016/6-107L	. RELAY-DOOR OPEN KT505 . . . . .				01
33	M39016/6-107L	. RELAY-IN THE AIR KT501 . . . . .				01
34	S251-1130-00	. CVR CONTROL HEAD . . . . .	V06141			01

- ITEM NOT ILLUSTRATED





**CHAPTER**

**24**

**ELECTRICAL POWER**



CESSNA®  
**MODEL 525 (SERIALS -0685 AND -0800 AND ON)**  
 ILLUSTRATED PARTS CATALOG

<b>CHAPTER SECTION SUBJECT</b>		<b>NUMBER OF PAGES</b>	<b>DATE</b>
24 - TITLE			
24 - LIST OF EFFECTIVE PAGES			
24 - RECORD OF TEMPORARY REVISIONS			
24 - TABLE OF CONTENTS			
24-20-00	Figure 01	2	Nov 1/2013
24-20-00	Figure 02	2	Nov 1/2013
24-20-00	Figure 03	2	Jul 1/2014
24-30-00	Figure 01	2	Nov 1/2013
24-30-01	Figure 01	4	Nov 1/2013
24-30-02	Figure 01	2	Nov 1/2013
24-40-00	Figure 01	2	Nov 1/2013
24-50-00	Figure 01	2	Nov 1/2013
24-50-01	Figure 01	6	Nov 1/2013
24-50-01	Figure 02	6	Nov 1/2013
24-50-01	Figure 03	2	Nov 1/2013
24-50-02	Figure 01	2	Dec 1/2017
24-50-02	Figure 02	8	Jun 1/2018
24-50-02	Figure 03	2	Jun 1/2018
24-50-02	Figure 04	6	Jun 1/2018
24-50-02	Figure 05	4	Dec 1/2015
24-50-03	Figure 01	2	Nov 1/2013
24-50-03	Figure 02	2	Nov 1/2013
24-50-04	Figure 01	4	Dec 1/2017
24-52-00	Figure 01	2	Nov 1/2013





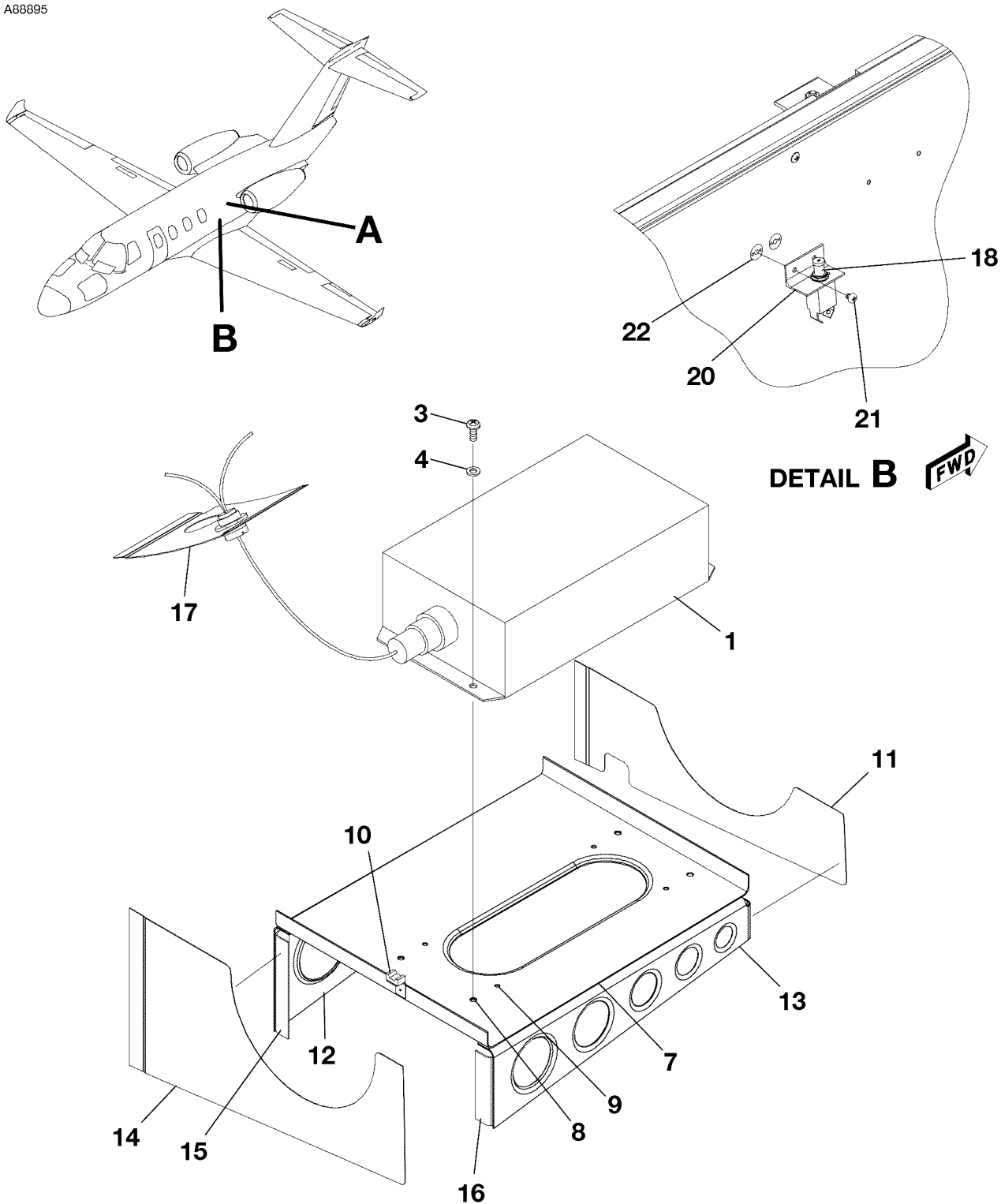


CESSNA®  
**MODEL 525 (SERIALS -0685 AND -0800 AND ON)**  
 ILLUSTRATED PARTS CATALOG

<u>SUBJECT</u>	<u>CHAPTER SECTION SUBJECT</u>	<u>FIGURE</u>	<u>EFFECTIVITY</u>	
			<u>START</u>	<u>END</u>
AC INVERTER 1200W	24-20-00	01		
AC INVERTER 500W	24-20-00	02		
ELECTRIC HEATED WINDSHIELD INVERTERS	24-20-00	03	0800	0829
DC POWER SYSTEM	24-30-00	01		
BATTERY ASSEMBLY	24-30-01	01		
STANDBY INSTRUMENT POWER SUPPLY	24-30-02	01		
EXTERNAL POWER SYSTEM	24-40-00	01		
RELAY BOX INSTALLATION	24-50-00	01		
CIRCUIT BREAKER PANEL ASSEMBLY - LH	24-50-01	01		
CIRCUIT BREAKER PANEL ASSEMBLY - RH	24-50-01	02		
SIDE CONSOLE RELAY INSTALLATION - RH	24-50-01	03		
POWER JUNCTION BOX INSTALLATION	24-50-02	01		
POWER JUNCTION BOX ASSEMBLY	24-50-02	02		
POWER JUNCTION BOX STRUCTURE	24-50-02	03		
POWER JUNCTION BOX CIRCUIT BREAKERS	24-50-02	04		
POWER JUNCTION BOX BUS BARS	24-50-02	05		
PRINTED CIRCUIT BOARD ENCLOSURE INSTALLATION	24-50-03	01		
PRINTED CIRCUIT BOARD ASSEMBLY	24-50-03	02		
JUNCTION BOX - AUXILIARY	24-50-04	01		
CABIN ALTITUDE MODULE INSTALLATION	24-52-00	01		

CESSNA®  
**MODEL 525 (SERIALS -0685 AND -0800 AND ON)**  
 ILLUSTRATED PARTS CATALOG

A88895



**DETAIL A**

AC INVERTER 1200W  
 FIGURE 01 (SHEET 1)

6310T1168  
 A6318T1882  
 B6318T1882



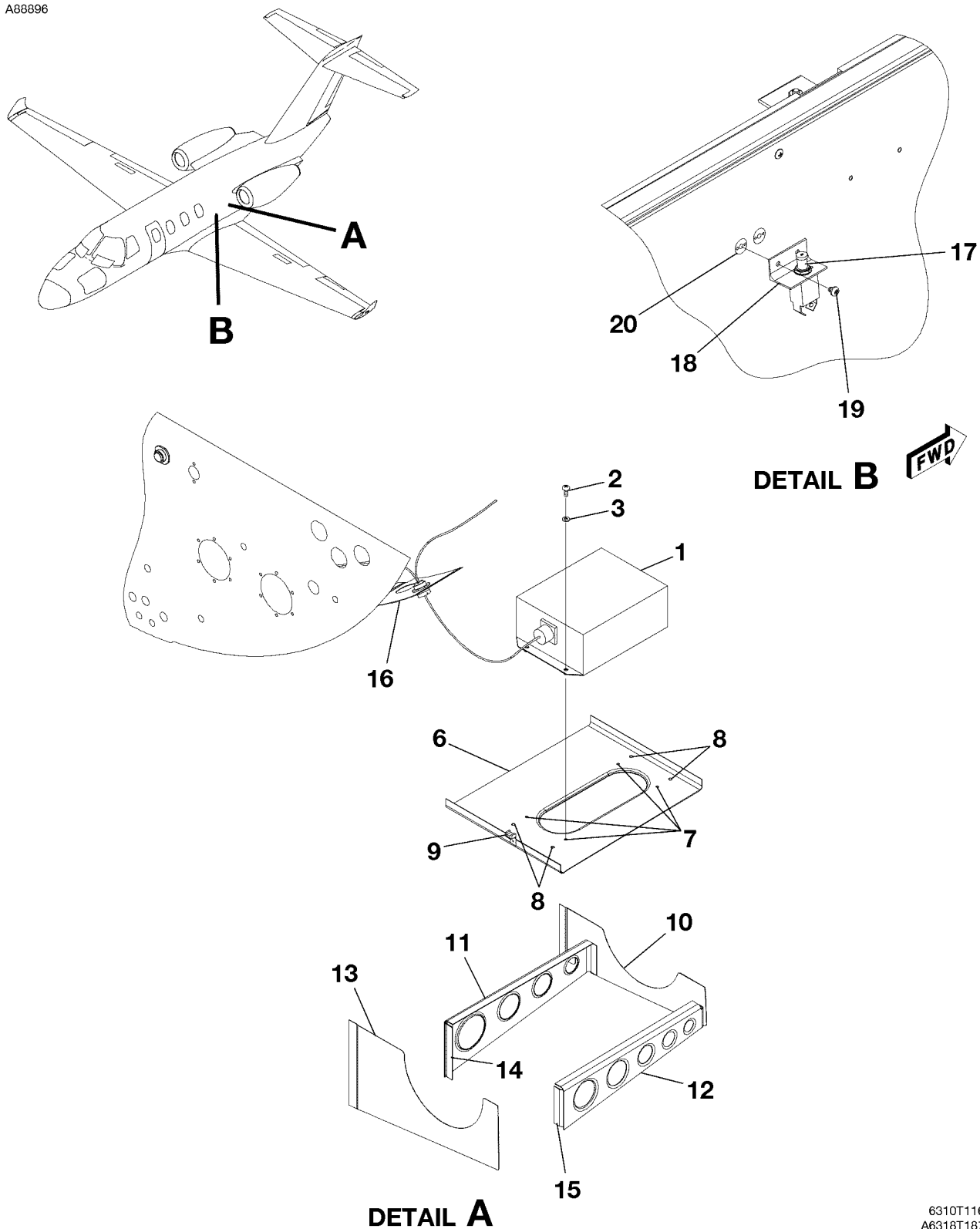
CESSNA®  
**MODEL 525 (SERIALS -0685 AND -0800 AND ON)**  
 ILLUSTRATED PARTS CATALOG

FIG ITEM	PART NUMBER	NOMENCLATURE	UNITS
			PER ASSY
01			
-		AC INVERTER 1200W	RF
1	SB120	. INVERTER-230 VOLT . . . . . V16017	01
- 2	SS120	. INVERTER-115 VOLT . . . . . V16017	01
		ATTACHING PARTS	
3	MS27039-4-10	. SCREW . . . . .	04
4	NAS1149F0463P	. WASHER . . . . .	04
		*—	
- 5	6318514-4	. INVERTER ASSY . . . . .	01
- 6	6318514-5	. . . INVERTER PLATE ASSY . . . . .	01
7	6318514-6	. . . INVERTER PLATE . . . . .	01
8	MS21069L4	. . . NUTPLATE . . . . .	04
9	MS21075L3N	. . . NUTPLATE . . . . .	04
10	S3528-5D	. . . ANCHOR ASSY . . . . .	01
11	6318517-4	. . . AFT DOUBLER . . . . .	01
12	6318517-3	. . . SUPPORT-INBD . . . . .	01
13	6318517-2	. . . SUPPORT-OUTBD . . . . .	01
14	6318517-5	. . . DOUBLER-FWD . . . . .	01
15	6318517-7	. . . CLIP . . . . .	01
16	6318517-6	. . . CLIP . . . . .	01
17	6318518-2	. . . FUSELAGE DOUBLER . . . . .	01
18	S2899-5.0	. CIRCUIT BREAKER-HC201 . . . . .	01
- 19	S2899-10.0	. CIRCUIT BREAKER-HC202 . . . . .	01
20	4711818-4	. ANGLE-CIRCUIT BREAKER . . . . .	01
		ATTACHING PARTS	
21	MS35206-240	. SCREW . . . . .	02
22	NAS1833-08-250M	. INSERT . . . . .	02
		*—	

- ITEM NOT ILLUSTRATED

CESSNA®  
**MODEL 525 (SERIALS -0685 AND -0800 AND ON)**  
 ILLUSTRATED PARTS CATALOG

A88896



AC INVERTER 500W  
 FIGURE 02 (SHEET 1)

6310T1168  
 A6318T1877  
 B6318T1877

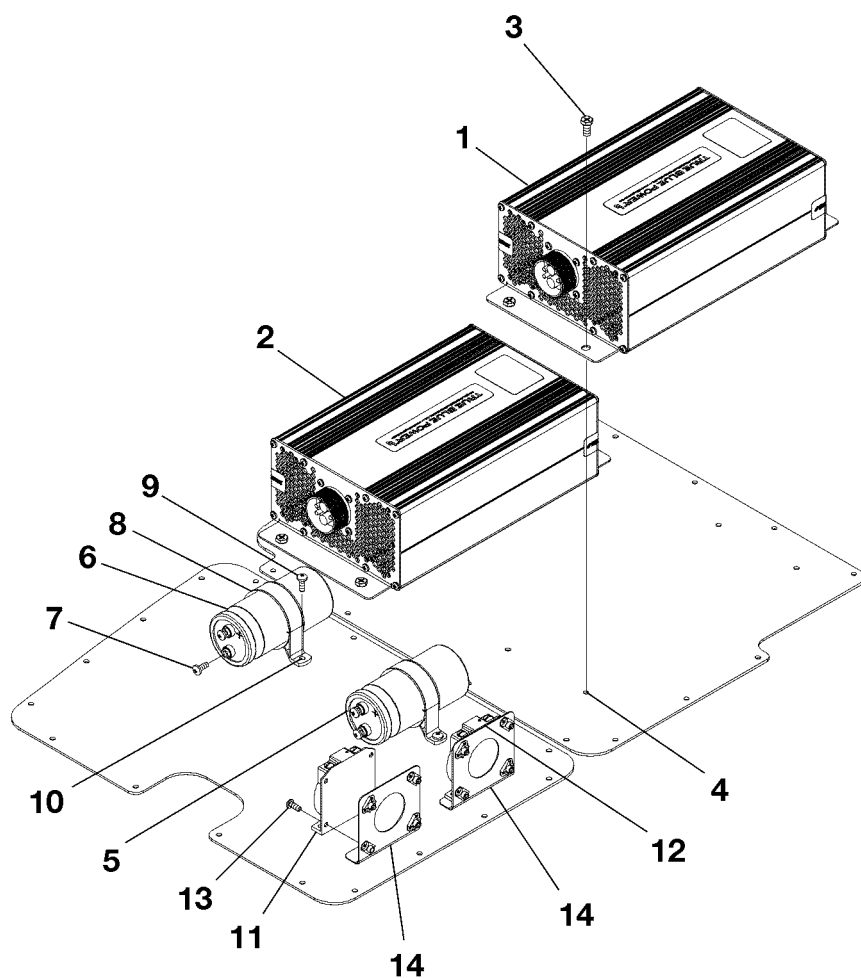
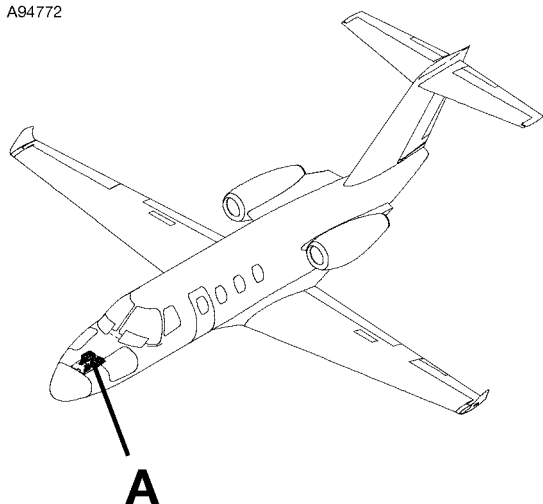
CESSNA®  
**MODEL 525 (SERIALS -0685 AND -0800 AND ON)**  
 ILLUSTRATED PARTS CATALOG

FIG ITEM	PART NUMBER	1 2 3 4 5 6 7	NOMENCLATURE	UNITS PER ASSY
02				
-			AC INVERTER 500W	RF
1	SS50		. INVERTER-500VA UL017 . . . . . V16017	01
			ATTACHING PARTS	
2	MS27039-1-09		. SCREW . . . . .	04
3	NAS1149F0332P		. WASHER . . . . .	04
			—*—	
- 4	6318514-4		. INVERTER ASSY . . . . .	01
- 5	6318514-5		. . INVERTER PLATE ASSY . . . . .	01
6	6318514-6		. . . INVERTER PLATE . . . . .	01
7	MS21075L3N		. . . NUTPLATE . . . . .	04
8	MS21069L4		. . . NUTPLATE . . . . .	04
9	S3528-5D		. . . ANCHOR ASSY . . . . .	01
10	6318517-4		. . DOUBLER-AFT . . . . .	01
11	6318517-3		. . SUPPORT-INBD . . . . .	01
12	6318517-2		. . SUPPORT-OUTBD . . . . .	01
13	6318517-5		. . DOUBLER-FWD . . . . .	01
14	6318517-7		. . CLIP . . . . .	01
15	6318517-6		. . CLIP . . . . .	01
16	6318518-2		. . FUSELAGE DOUBLER . . . . .	01
17	S2899-5.0		. CIRCUIT BREAKER-HC201 . . . . .	01
18	4711818-4		. ANGLE-CIRCUIT BREAKER . . . . .	01
			ATTACHING PARTS	
19	MS35206-240		. SCREW . . . . .	02
20	NAS1833-08-250M		. INSERT . . . . .	02
			—*—	

- ITEM NOT ILLUSTRATED

CESSNA®  
MODEL 525 (SERIALS -0685 AND -0800 AND ON)  
ILLUSTRATED PARTS CATALOG

A94772



**DETAIL A**

ELECTRIC HEATED WINDSHIELD INVERTERS  
FIGURE 03 (SHEET 1)

6310T1168  
A6314T1911

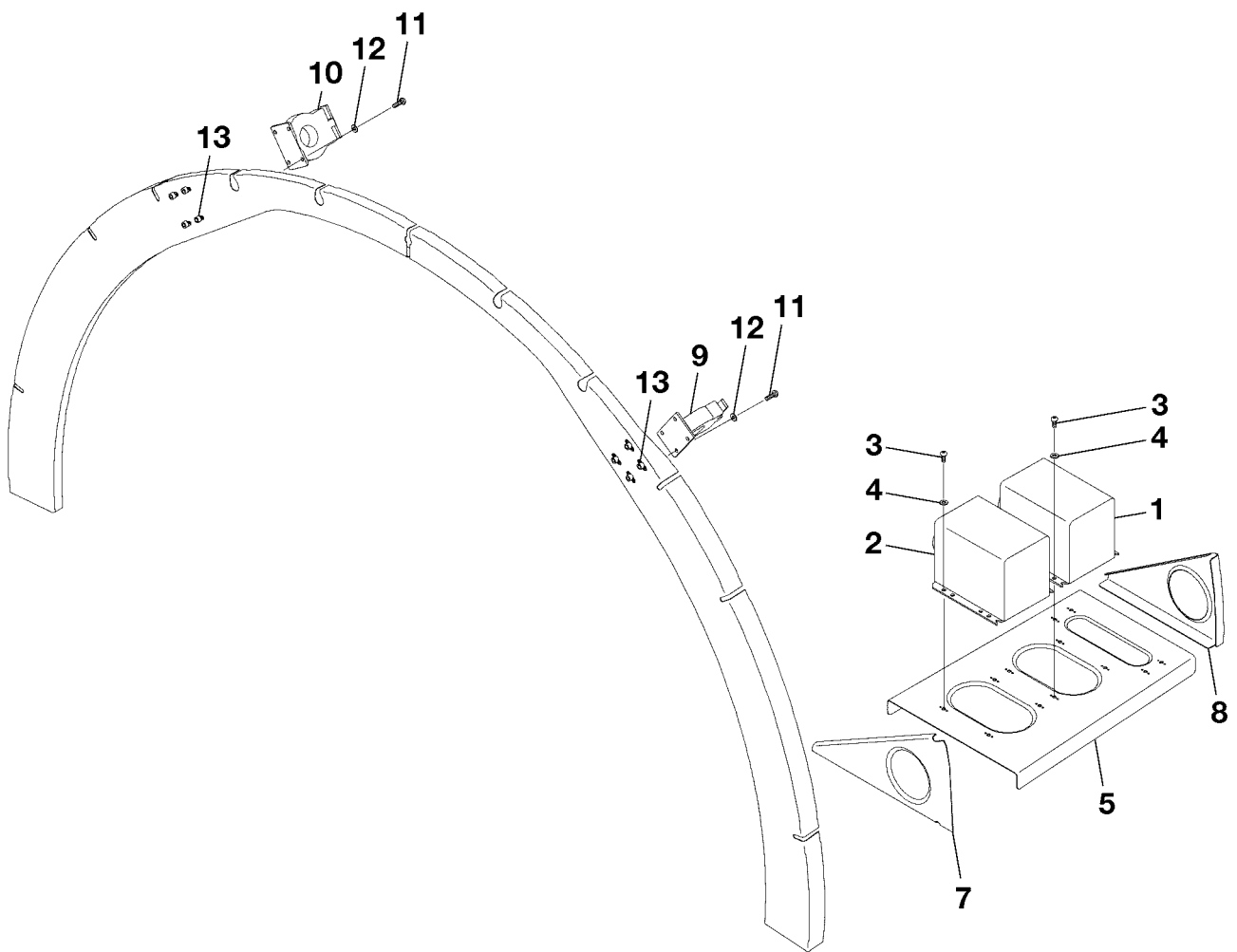
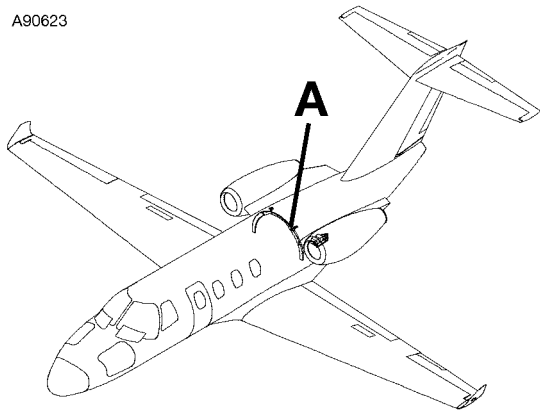
CESSNA®  
**MODEL 525 (SERIALS -0685 AND -0800 AND ON)**  
 ILLUSTRATED PARTS CATALOG

FIG ITEM	PART NUMBER	NOMENCLATURE	UNITS	
			PER	ASSY
03				
-		ELECTRIC HEATED WINDSHIELD INVERTERS	0800	0829
1	S3100-593	. INVERTER-1500 WATT UN902 . . . . .		01 R
2	S3100-593	. INVERTER-1500 WATT UN904 . . . . .		01 R
		ATTACHING PARTS		
3	NAS1801-4-8	. SCREW . . . . .		04 R
4	MS21075L4N	. NUTPLATE . . . . .		04 R
		—*—		
5	DCMC603U050BC2B	. CAPACITOR-50 VOLT CN094 . . . . .	V0ZQ52	01 R
6	DCMC603U050BC2B	. CAPACITOR-50 VOLT CN096 . . . . .	V0ZQ52	01 R
		ATTACHING PARTS		
7	MS27039-1-07	. SCREW . . . . .		02 R
		—*—		
8	NAS1716C32K	. CLAMP . . . . .		02 R
		ATTACHING PARTS		
9	MS27039-1-08	. SCREW . . . . .		02 R
10	MS21075L3N	. NUTPLATE . . . . .		02 R
		—*—		
11	LDS50-70-90	. SPARK GAP-SURGE ARRESTER-UN906 . . . . .		01 R
12	LDS50-70-90	. SPARK GAP-SURGE ARRESTER-UN908 . . . . .		01 R
		ATTACHING PARTS		
13	MS27039-0807	. SCREW . . . . .		04 R
		—*—		
14	6318725-3	. BRACKET ASSY . . . . .		02 R
- 15	MS21075L08N	. . NUTPLATE . . . . .		04 R

- ITEM NOT ILLUSTRATED

CESSNA®  
MODEL 525 (SERIALS -0685 AND -0800 AND ON)  
ILLUSTRATED PARTS CATALOG

A90623



**DETAIL A**

DC POWER SYSTEM  
FIGURE 01 (SHEET 1)

6310T1168  
A6318T1963

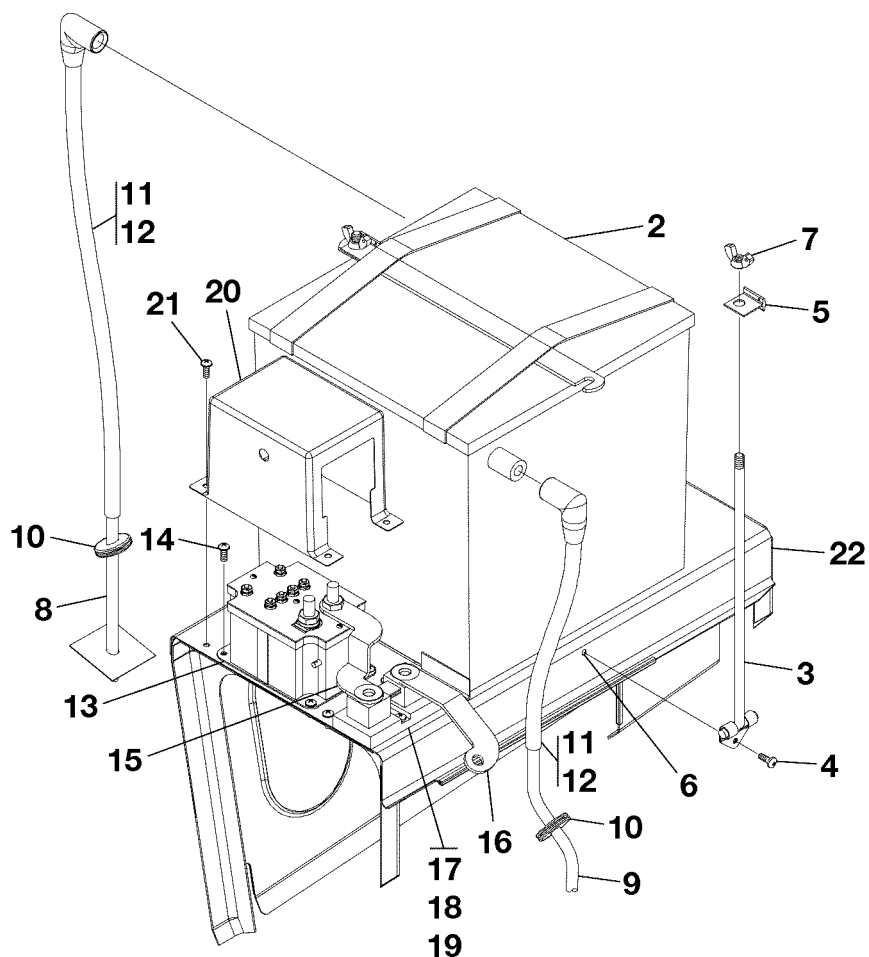
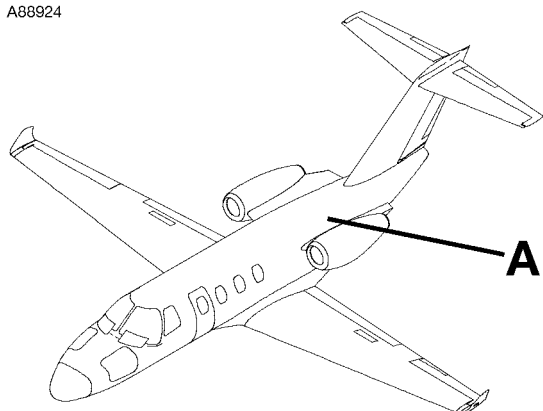
CESSNA®  
**MODEL 525 (SERIALS -0685 AND -0800 AND ON)**  
 ILLUSTRATED PARTS CATALOG

FIG ITEM	PART NUMBER	NOMENCLATURE	UNITS
			PER ASSY
01			
-		DC POWER SYSTEM	RF
1	51525-001F	. GENERATOR CONTROL UNIT-LH BT001 . . . . . V31435	01
2	51525-001F	. GENERATOR CONTROL UNIT-RH BT002 . . . . . V31435	01
		ATTACHING PARTS	
3	MS27039-1-08	. SCREW . . . . .	04
4	NAS1149F0332P	. WASHER . . . . .	04
		—*—	
5	6318310-9	. SHELF ASSY . . . . .	01
- 6	MS21075L3N	. . NUTPLATE . . . . .	12
7	6318310-5	. SUPPORT-FWD . . . . .	01
8	6318310-6	. SUPPORT-AFT . . . . .	01
9	76779-1	. TRANSFORMER-LH GROUND FAULT UT029 . . . . . V2X920	01
10	76779-1	. TRANSFORMER-RH GROUND FAULT UT030 . . . . . V2X920	01
		ATTACHING PARTS	
11	MS35207-263	. SCREW . . . . .	04
12	NAS1149F0332P	. WASHER . . . . .	04
13	MS21069L3	. NUTPLATE . . . . .	04
		—*—	

- ITEM NOT ILLUSTRATED

CESSNA®  
MODEL 525 (SERIALS -0685 AND -0800 AND ON)  
ILLUSTRATED PARTS CATALOG

A88924



**DETAIL A**

BATTERY ASSEMBLY  
FIGURE 01 (SHEET 1)

6310T1168  
A6318T1878



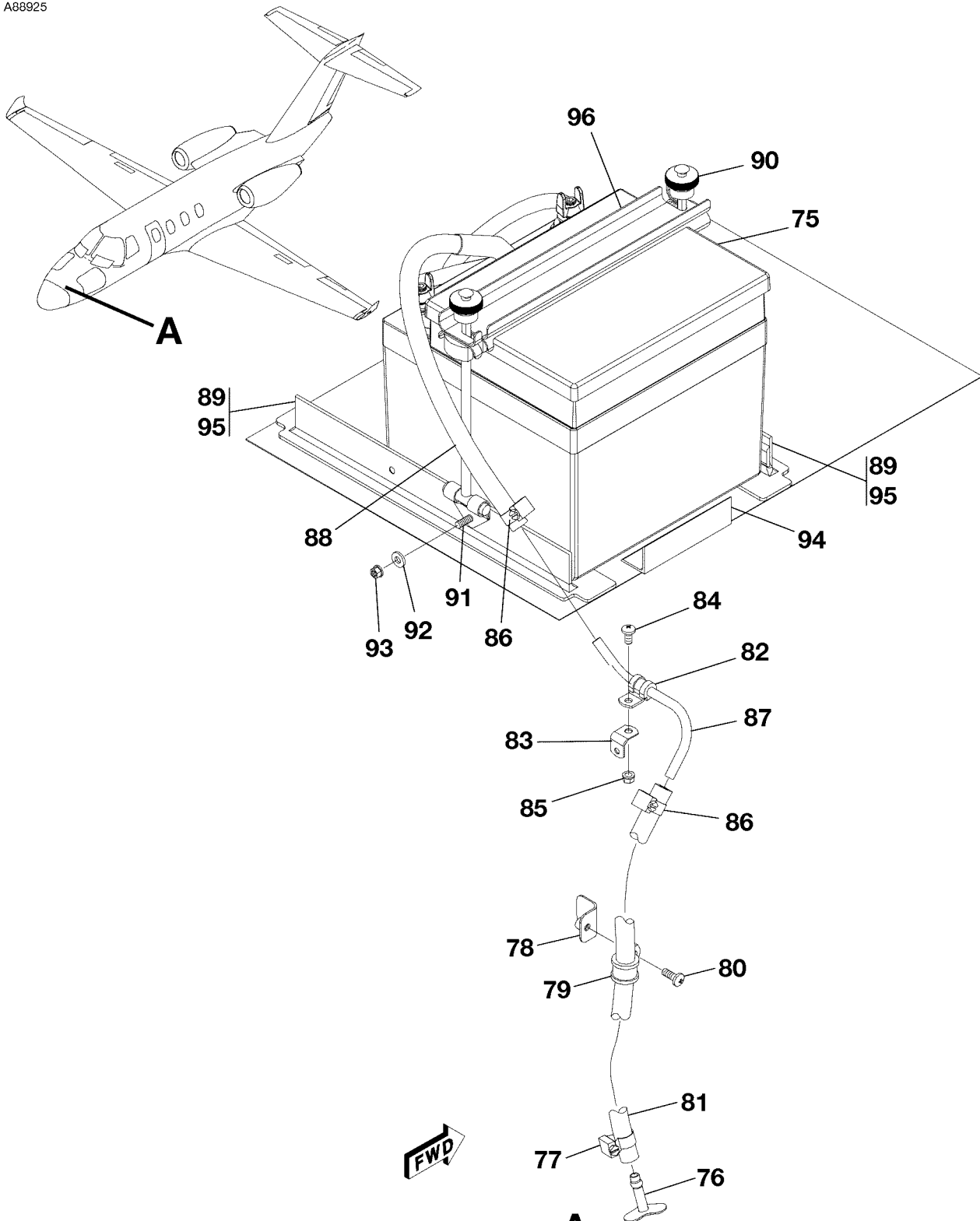
CESSNA®  
**MODEL 525 (SERIALS -0685 AND -0800 AND ON)**  
 ILLUSTRATED PARTS CATALOG

FIG ITEM	PART NUMBER	NOMENCLATURE	UNITS
			PER ASSY
01		BATTERY ASSEMBLY	RF
-			
1	S3597-8	. BATTERY-42 AMP HOUR LEAD ACID . . . . .	01
2	9914058-6	. BATTERY-42 AMP HOUR NI-CAD . . . . .	01
3	6318331-22	. ROD ASSY . . . . .	02
		ATTACHING PARTS	
4	MS27039-1-08	. SCREW . . . . .	01
5	6718506-15	. WASHER . . . . .	01
6	MS21075L3N	. NUTPLATE . . . . .	01
7	MS35426-15	. NUT . . . . .	01
		—*—	
8	6318332-4	. TUBE ASSY-LWR INBD . . . . .	01
9	6318332-13	. TUBE ASSY-LWR OUTBD . . . . .	01
10	MS35489-12	. GROMMET . . . . .	02
11	S4131-1	. TUBE ASSY-BATTERY VENT . . . . .	02
12	S4057-8	. SLEEVING-BKI . . . . .	AR
13	S3155-1	. CONTACTOR-RELAY BATTERY DISCONNECT KT001 . . . . .	01
		ATTACHING PARTS	
14	MS35207-263	. SCREW . . . . .	04
		—*—	
15	6318883-7	. BUS BAR . . . . .	01
16	6318883-8	. BUS BAR . . . . .	01
17	CM2916-400	. SHUNT . . . . .	01
		ATTACHING PARTS	
18	MS27039-1-11	. SCREW . . . . .	02
19	MS21075L3N	. NUTPLATE . . . . .	02
		—*—	
20	6318331-29	. COVER . . . . .	01
		ATTACHING PARTS	
21	MS35207-263	. SCREW . . . . .	04
		—*—	
22		. SHELF ASSY-REFER TO 25-70-01 FIGURE 01 . . . . .	RF

- ITEM NOT ILLUSTRATED

CESSNA®  
MODEL 525 (SERIALS -0685 AND -0800 AND ON)  
ILLUSTRATED PARTS CATALOG

A88925



**DETAIL A**

BATTERY ASSEMBLY  
FIGURE 01 (SHEET 2)

6310T1168  
A2618T1477

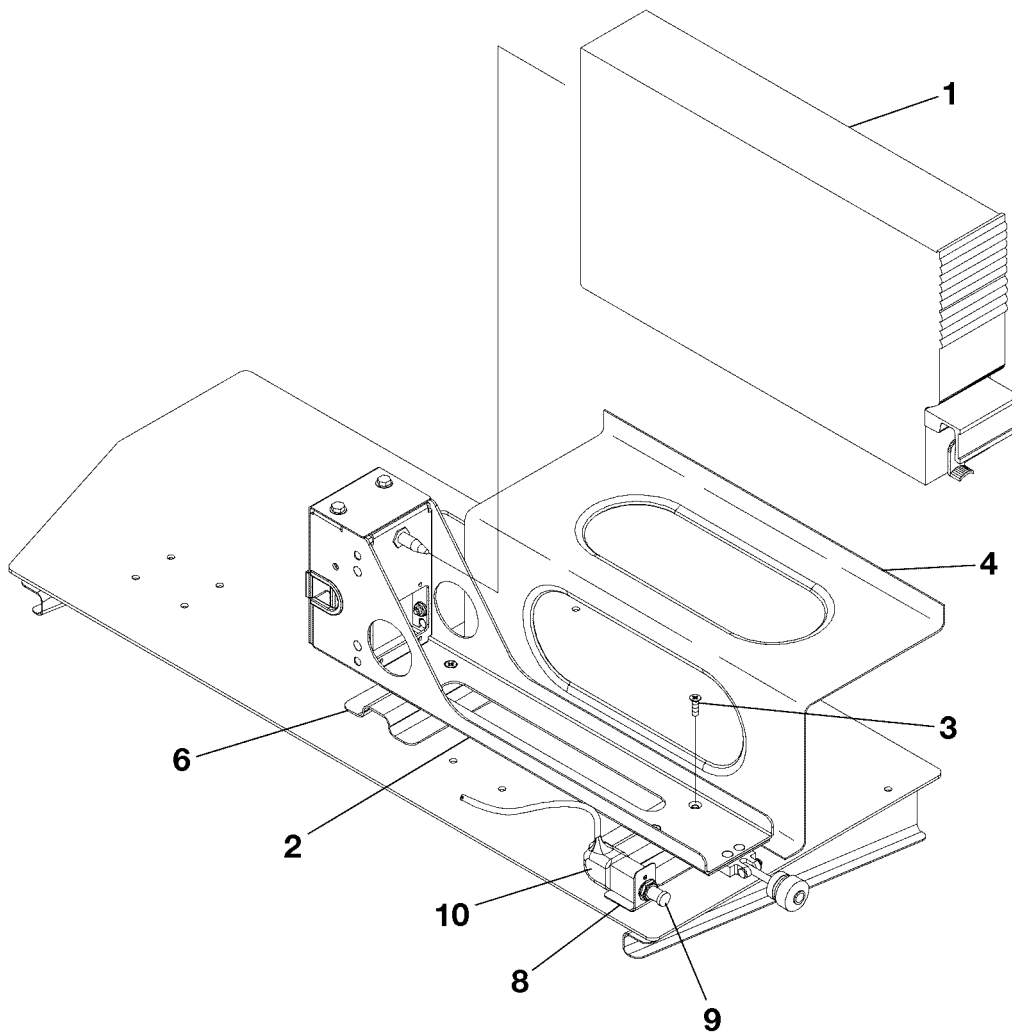
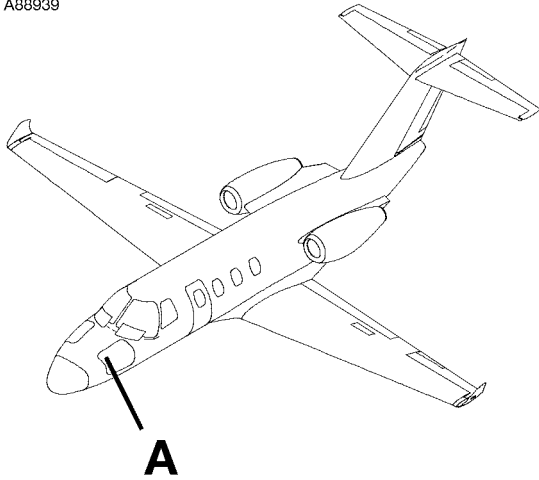
CESSNA®  
**MODEL 525 (SERIALS -0685 AND -0800 AND ON)**  
 ILLUSTRATED PARTS CATALOG

FIG ITEM	PART NUMBER	NOMENCLATURE	UNITS
			PER ASSY
		1 2 3 4 5 6 7	
01			
75	7243-16T	. BATTERY ASSY-16AHR UN900 . . . . . V84375	01
76	6917420-59	. NIPPLE WELD ASSY - HYD . . . . .	01
77	NAS1922-0050-3	. CLAMP . . . . .	01
78	6357001-23	. BRACKET ASSY . . . . .	01
79	MS21919WDBG8	. CLAMP . . . . .	01
		ATTACHING PARTS	
80	MS27039-1-08	. SCREW . . . . .	01
		—*—	
81	S2548-4-36.00	. HOSE . . . . .	01
82	MS21919WDE4	. CLAMP . . . . .	01
		ATTACHING PARTS	
83	S3001-1	. BRACKET . . . . .	01
84	MS27039-1-06	. SCREW . . . . .	01
85	MS21043-3	. NUT . . . . .	01
		—*—	
86	NAS1922-0050-3	. CLAMP . . . . .	02
87	6318942-9	. TUBE . . . . .	01
88	S4131-1	. TUBE ASSY-BATTERY VENT . . . . .	01
89	6318942-4	. SUPPORT . . . . .	02
		ATTACHING PARTS	
90	6318942-13	. BATTERY RETAINER ASSY . . . . .	01
91	MS24694-S52	. SCREW . . . . .	01
92	NAS1149F0363P	. WASHER . . . . .	01
93	MS21043-3	. NUT . . . . .	01
		—*—	
94	6318942-6	. BATTERY STOP . . . . .	01
95	6318942-7	. RUB STRIP . . . . .	02
96	6318942-15	. BATTERY BAR ASSY . . . . .	01

- ITEM NOT ILLUSTRATED

CESSNA®  
**MODEL 525 (SERIALS -0685 AND -0800 AND ON)**  
ILLUSTRATED PARTS CATALOG

A88939



**DETAIL A**

STANDBY INSTRUMENT POWER SUPPLY  
FIGURE 01 (SHEET 1)

6310T1168  
A6318T1879

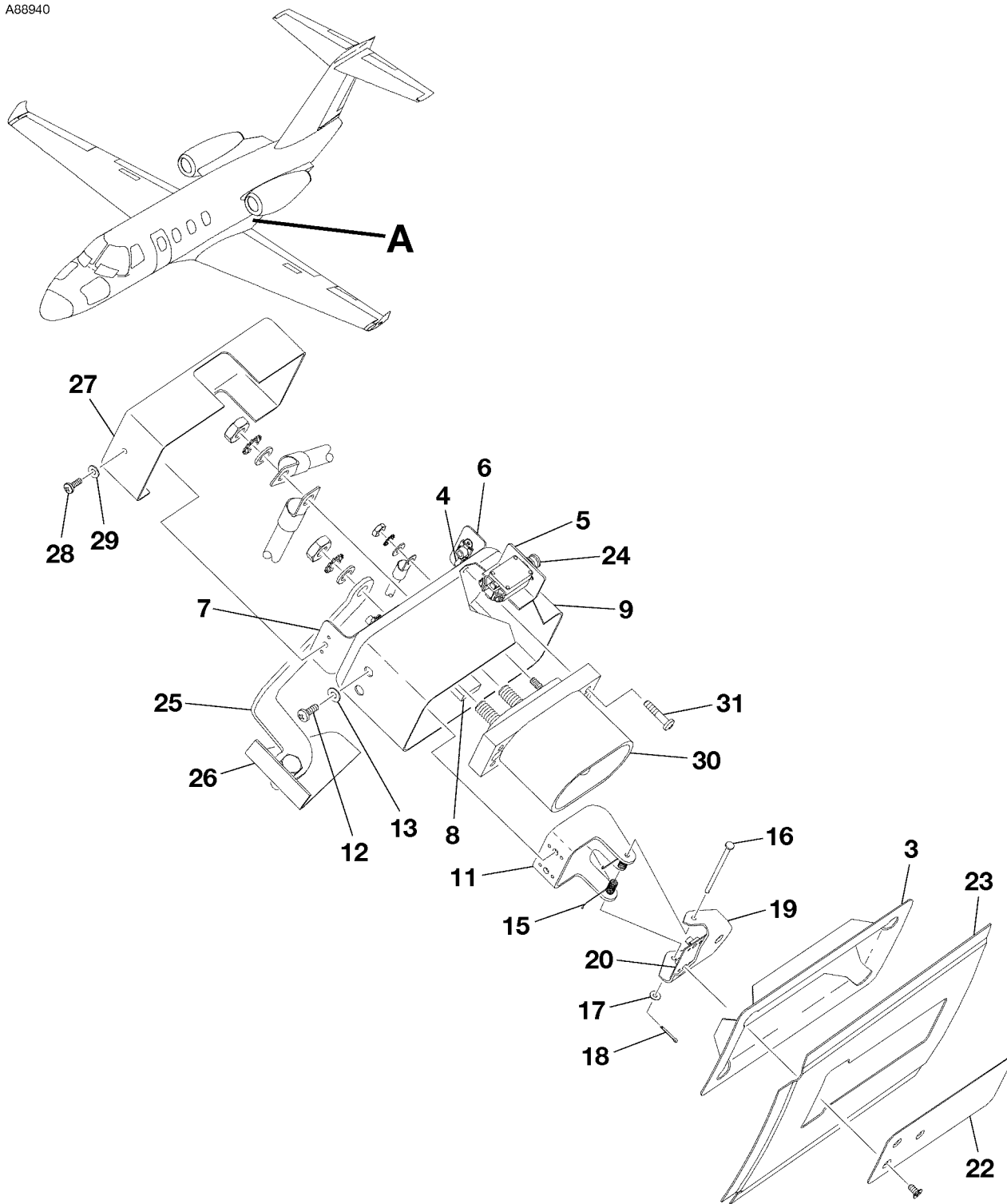
CESSNA®  
**MODEL 525 (SERIALS -0685 AND -0800 AND ON)**  
 ILLUSTRATED PARTS CATALOG

FIG ITEM	PART NUMBER	1 2 3 4 5 6 7	NOMENCLATURE	UNITS PER ASSY
01			STANDBY INSTRUMENT POWER SUPPLY	RF
-				
1	501-1712-01		. BATTERY PACK . . . . . V25583	01
2	200-91057-101		. TRAY . . . . . V66197	01
			ATTACHING PARTS	
3	MS24694-S5		. SCREW . . . . .	04
			—*—	
4	9154701-3		. BRACKET ASSY-SUPPORT . . . . .	01
-	MS21075L3N		. . NUTPLATE . . . . .	04
6	9154701-6		. SUPPORT BRACKET ASSY . . . . .	02
-	MS21075L08N		. . NUTPLATE . . . . .	02
8	8718011-3		. BRACKET-CIRCUIT BREAKER . . . . .	01
9	S2899-7.5		. CIRCUIT BREAKER HN002 . . . . .	01
10	228A032-3		. BOOT . . . . . V06090	01

- ITEM NOT ILLUSTRATED

CESSNA®  
MODEL 525 (SERIALS -0685 AND -0800 AND ON)  
ILLUSTRATED PARTS CATALOG

A88940



**DETAIL A**

EXTERNAL POWER SYSTEM  
FIGURE 01 (SHEET 1)

6310T1168  
A6318T1043A

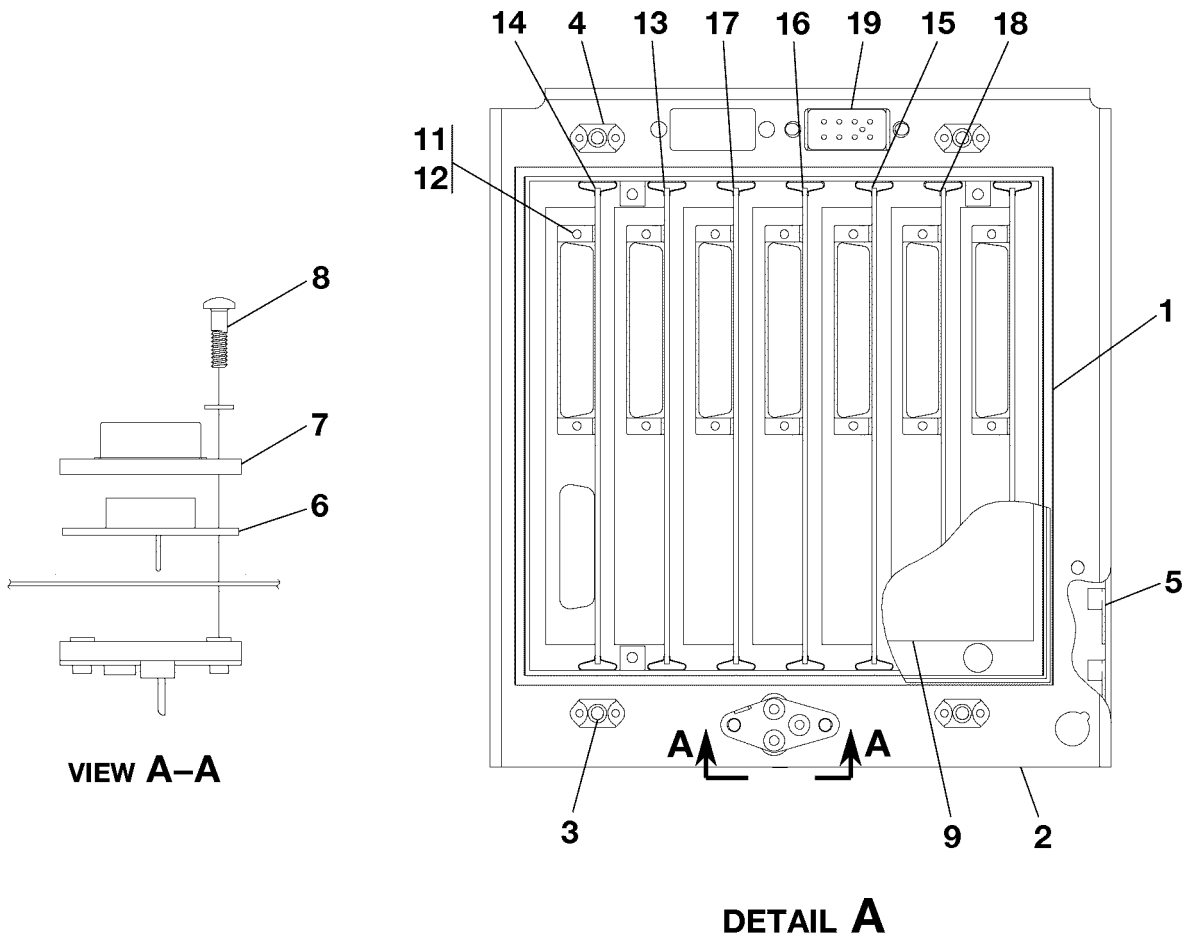
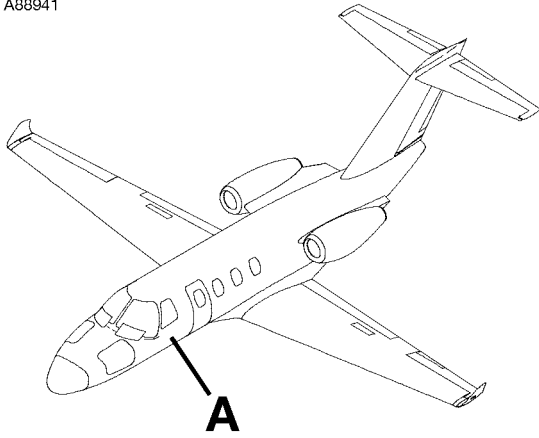
CESSNA®  
**MODEL 525 (SERIALS -0685 AND -0800 AND ON)**  
 ILLUSTRATED PARTS CATALOG

FIG ITEM	PART NUMBER	NOMENCLATURE	UNITS
			PER ASSY
		1 2 3 4 5 6 7	
01		EXTERNAL POWER SYSTEM	RF
-		ENCLOSURE ASSY-RECEPTACLE HOUSING	01
- 1	6318315-25	BOX ASSY	01
- 2	6318315-26	BRACKET	01
3	6318315-7	NUTPLATE	04
4	MS21075L3N	BRACKET	01
5	6318315-21	ANGLE ASSY	01
6	6318315-30	ANGLE ASSY	01
7	6318315-28	SPACER	02
8	6318315-32	BOX	01
9	6318315-6	HINGE ASSY	01
- 10	6318315-27	BRACKET ASSY	01
11	6318315-22	ATTACHING PARTS	
12	MS27039-1-08	SCREW	02
13	NAS1149F0332P	WASHER	02
		—*—	
- 14	MS21069L3	NUTPLATE	02
15	6318315-16	SPRING	01
		ATTACHING PARTS	
16	MS20392-1C65	PIN	01
17	NAS1149FN416P	WASHER	01
18	MS24665-151	COTTER PIN	01
		—*—	
19	6318315-13	BRACKET	01
20	6318315-14	PLATE ASSY	01
- 21	MS21075L08N	NUTPLATE	03
22		DOOR ASSY-REFER TO 52-40-00 FIGURE 01	RF
23	6318315-19	DOUBLER	01
24	S2899-5.0	CIRCUIT BREAKER-EXTERNAL POWER RECEPTACLE HT001	01
25	6318353-11	BUS BAR-EXTERNAL POWER RECEPTACLE HZ005	01
26	6318333-1	GUSSET	01
27	6318315-33	COVER	01
		ATTACHING PARTS	
28	MS35206-244	SCREW	02
29	NAS1149FN832P	WASHER	02
		—*—	
30	MS3506-1	RECEPTACLE-EXTERNAL POWER JT005	01
		ATTACHING PARTS	
31	MS27039-1-14	SCREW	04
		—*—	

- ITEM NOT ILLUSTRATED

CESSNA®  
**MODEL 525 (SERIALS -0685 AND -0800 AND ON)**  
 ILLUSTRATED PARTS CATALOG

A88941



RELAY BOX INSTALLATION  
 FIGURE 01 (SHEET 1)

6310T1168  
 A6318T188  
 AA6318T188



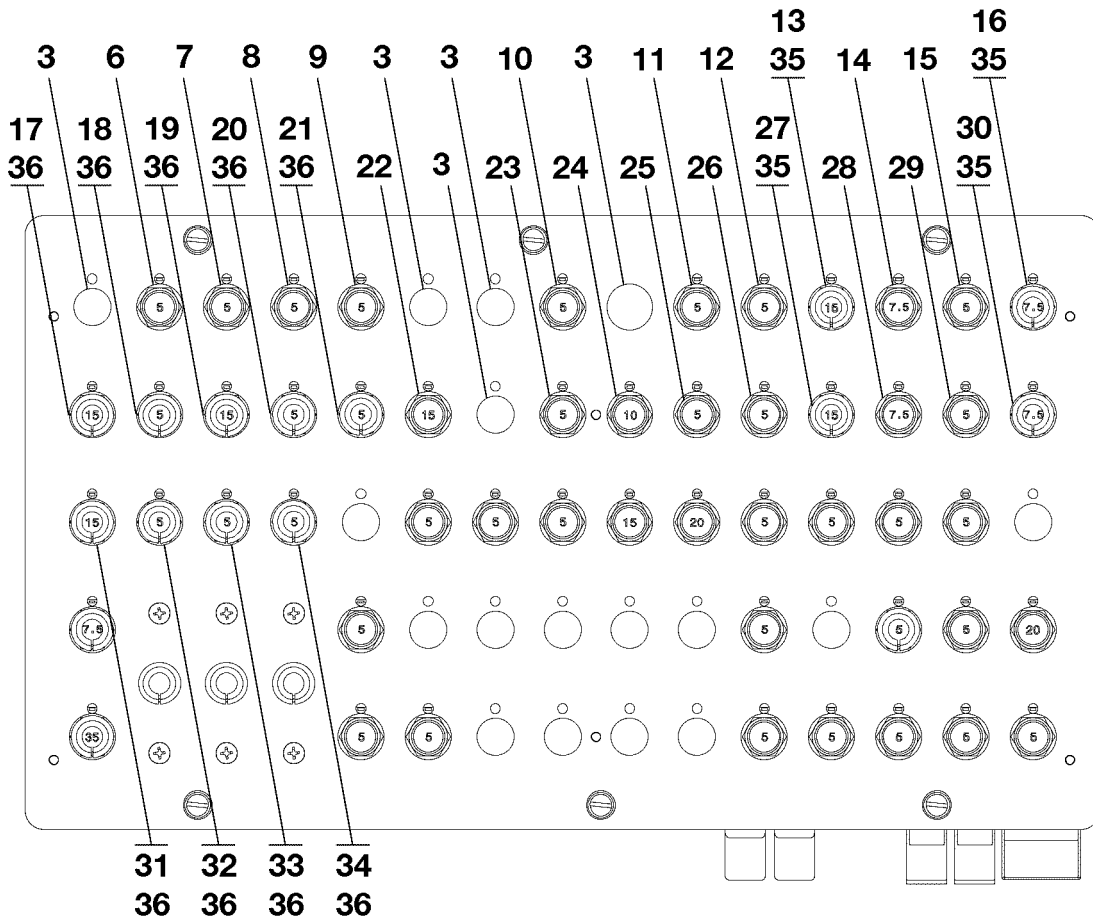
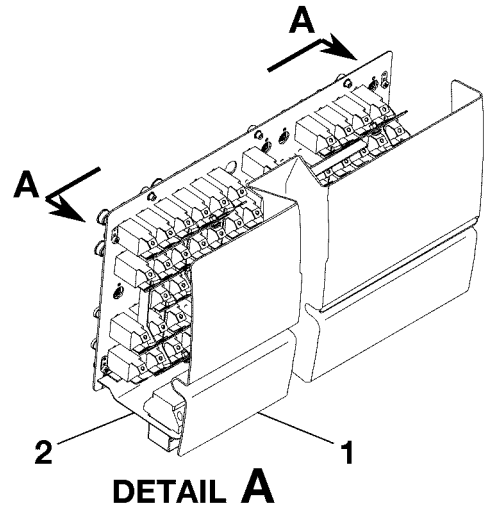
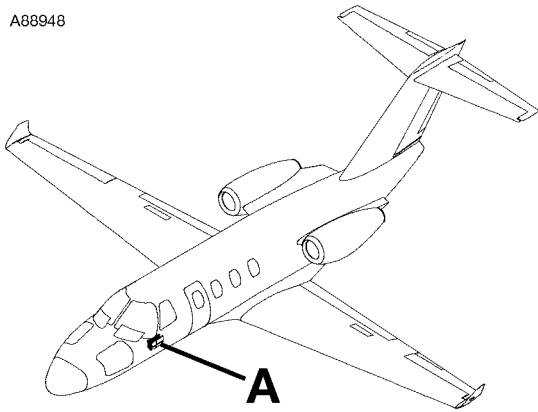
CESSNA®  
**MODEL 525 (SERIALS -0685 AND -0800 AND ON)**  
 ILLUSTRATED PARTS CATALOG

FIG ITEM	PART NUMBER	NOMENCLATURE	UNITS
			PER ASSY
01		RELAY BOX INSTALLATION	RF
-			
1	6318188-6	. BOX ASSY-PRINTED CIRCUIT BOARD . . . . .	01
2	6318824-4	. BRACKET ASSY . . . . .	01
		ATTACHING PARTS	
3	MS35206-244	. SCREW . . . . .	04
		—*—	
4	MS21075L08N	. . NUTPLATE . . . . .	04
5	MS21071-06	. . NUTPLATE . . . . .	02
6	2N3055	. TRANSISTOR-Q21 . . . . . V07688	01
7	8903VB	. COVER-TRANSISTOR . . . . . V13103	01
		ATTACHING PARTS	
8	MS35206-230	. SCREW . . . . .	02
		—*—	
9		. PLACARD-PC BOARD-REFER TO 11-N-31 FIGURE 02 . . . . .	RF
- 10	9154082-69	. PCB BOX . . . . .	01
		ATTACHING PARTS	
11	MS35206-216	. SCREW . . . . .	16
12	MS35338-40	. LOCK WASHER . . . . .	16
		—*—	
13	6318358-20	. . PCB ASSY-ENVIRONMENTAL NZ126 . . . . .	01
14	9912417-3	. . PCB ASSY-FUEL FLOW TRANSMITTER AND SIGNAL CONDITIONER NZ127 . . . . .	01
15	6318349-26	. . PCB ASSY-PRESSURIZATION NZ123 . . . . .	01
16	6318397-21	. . PCB ASSY-LANDING GEAR MONITOR NZ124 . . . . .	01
17	6318398-6	. . PCB ASSY-LANDING GEAR 1 NZ125 . . . . .	01
18	6318399-11	. . PCB ASSY-LANDING GEAR 2 NZ122 . . . . .	01
19	M83536/9-024	. RELAY-LANDING GEAR CONTROL AND MONITOR K125 . . . . .	01

- ITEM NOT ILLUSTRATED

CESSNA®  
**MODEL 525 (SERIALS -0685 AND -0800 AND ON)**  
 ILLUSTRATED PARTS CATALOG

A88948



**VIEW A-A**

**CIRCUIT BREAKER PANEL ASSEMBLY - LH**  
**FIGURE 01 (SHEET 1)**

6310T1168  
 A6318T1871  
 AA6318T1872

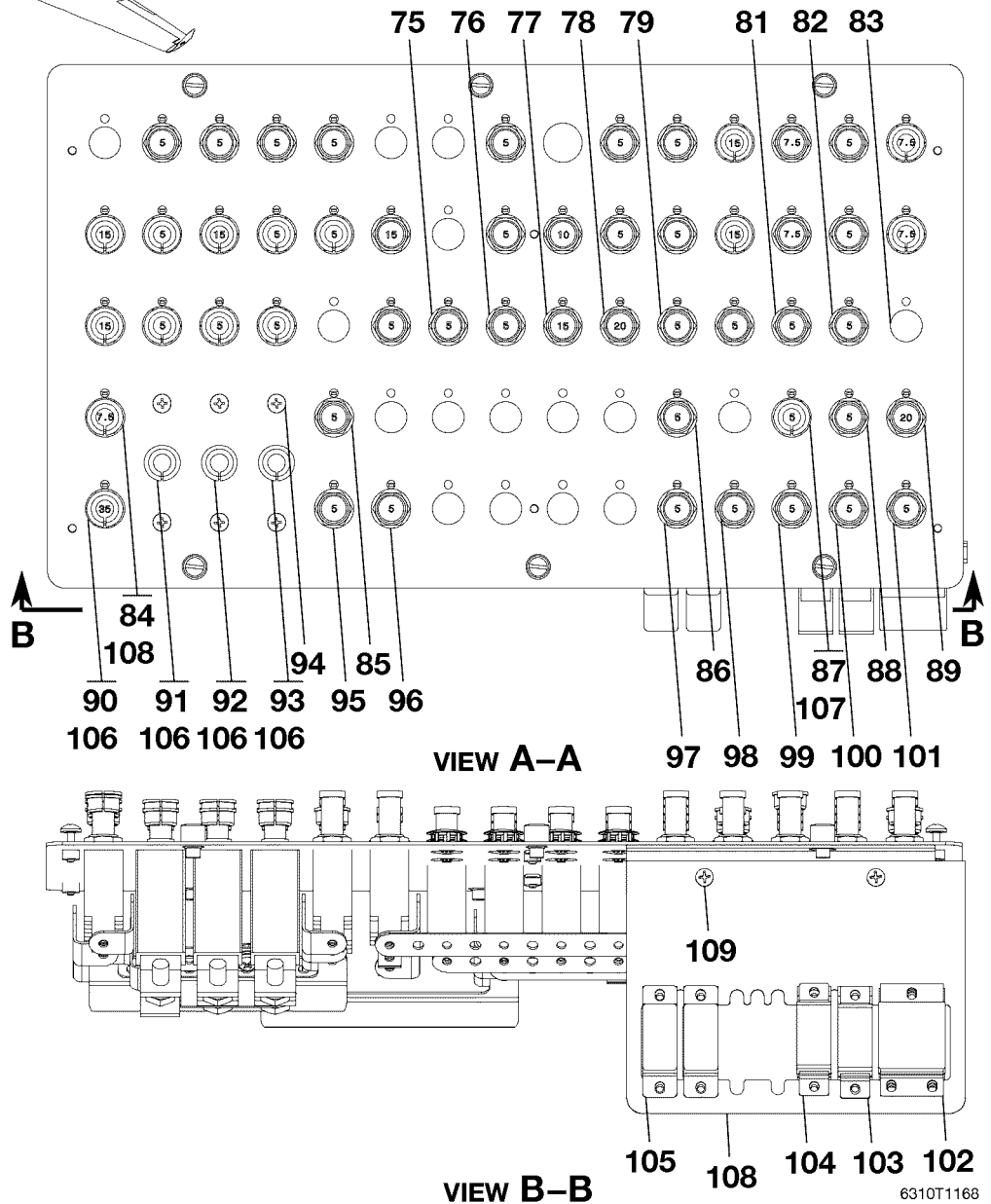
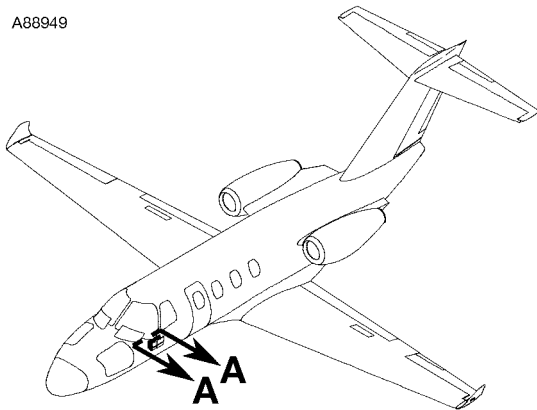
CESSNA®  
**MODEL 525 (SERIALS -0685 AND -0800 AND ON)**  
 ILLUSTRATED PARTS CATALOG

FIG ITEM	PART NUMBER	NOMENCLATURE	UNITS
			PER ASSY
01		CIRCUIT BREAKER PANEL ASSEMBLY - LH	RF
-			
1	6318055-7	. COVER . . . . .	01
2	6318828-3	. CONNECTOR BRACKET . . . . .	01
3	CM2692-15P1S	. PLUG BUTTON . . . . .	AR
- 4	6318876-5	. PANEL ASSY-CIRCUIT BREAKER . . . . .	01
- 5	6318876-3	. . . PANEL ASSY . . . . .	01
6	S2899L5.0	. . . . . CIRCUIT BREAKER-L OIL PRESS HC002 . . . . .	01
7	S2899L5.0	. . . . . CIRCUIT BREAKER-L FUEL FLOW HC003 . . . . .	01
8	S2899L5.0	. . . . . CIRCUIT BREAKER-L FUEL QTY HC004 . . . . .	01
9	S2899L2.0	. . . . . CIRCUIT BREAKER-ENGINE INTERFACE 1 HC005 . . . . .	01
10	S2899L5.0	. . . . . CIRCUIT BREAKER-NORM PRESS HC008 . . . . .	01
11	S2899L5.0	. . . . . CIRCUIT BREAKER-EMER PRESS HC009 . . . . .	01
12	S2899L5.0	. . . . . CIRCUIT BREAKER-L FUEL CONTROL HC010 . . . . .	01
13	S2899L15.0	. . . . . CIRCUIT BREAKER-L FUEL BOOST HC011 . . . . .	01
14	S2899L7.5	. . . . . CIRCUIT BREAKER-L F/W SHUTOFF HC012 . . . . .	01
15	S2899L5.0	. . . . . CIRCUIT BREAKER-L FIRE DET HC013 . . . . .	01
16	S2899L7.5	. . . . . CIRCUIT BREAKER-L IGNITION HC014 . . . . .	01
17	S2899L15.0	. . . . . CIRCUIT BREAKER-L PITOT STATIC HEATER HC015 . . . . .	01
18	S2899L5.0	. . . . . CIRCUIT BREAKER-L ENGINE ANTI-ICE HC016 . . . . .	01
19	S2899L15.0	. . . . . CIRCUIT BREAKER-AOA HEATER HC017 . . . . .	01
20	S2899L5.0	. . . . . CIRCUIT BREAKER-W/S BLEED AIR TEMPERATURE HC018 . . . . .	01
21	S2899L5.0	. . . . . CIRCUIT BREAKER-W/S BLEED AIR HC019 . . . . .	01
22	S2899L15.0	. . . . . CIRCUIT BREAKER-STBY BATTERY CHARGE HC020 . . . . .	01
23	S2899L5.0	. . . . . CIRCUIT BREAKER-DEFOG FAN HC022 . . . . .	01
24	S2899L10.0	. . . . . CIRCUIT BREAKER-FRESH AIR FAN HC023 . . . . .	01
25	S2899L5.0	. . . . . CIRCUIT BREAKER-TEMPERATURE CONTROL HC024 . . . . .	01
26	S2899L5.0	. . . . . CIRCUIT BREAKER-R FUEL CONTROL HC025 . . . . .	01
27	S2899L15.0	. . . . . CIRCUIT BREAKER-R FUEL BOOST HC026 . . . . .	01
28	S2899L7.5	. . . . . CIRCUIT BREAKER-R F/W SHUTOFF HC027 . . . . .	01
29	S2899L5.0	. . . . . CIRCUIT BREAKER-R FIRE DET HC028 . . . . .	01
30	S2899L7.5	. . . . . CIRCUIT BREAKER-RH IGNITION HC029 . . . . .	01
31	S2899L15.0	. . . . . CIRCUIT BREAKER-R PITOT STATIC HEATER HC030 . . . . .	01
32	S2899L5.0	. . . . . CIRCUIT BREAKER-R ENGINE ANTI-ICE HC031 . . . . .	01
33	S2899L5.0	. . . . . CIRCUIT BREAKER-TAIL DEICE HC032 . . . . .	01
34	S2899L5.0	. . . . . CIRCUIT BREAKER-W/S ALCOHOL HC033 . . . . .	01
35	10164-3	. . . . . EXTENSION CAP-WHITE HC011, HC014, HC026 AND HC029 . . . . . V26835	04
36	10164-7	. . . . . EXTENSION CAP-DARK GREEN HC015, HC016, HC017, HC018, HC019, HC030, HC031, HC032 AND HC033 . . . . . V26835	09

- ITEM NOT ILLUSTRATED

CESSNA®  
**MODEL 525 (SERIALS -0685 AND -0800 AND ON)**  
 ILLUSTRATED PARTS CATALOG

A88949



CIRCUIT BREAKER PANEL ASSEMBLY - LH  
 FIGURE 01 (SHEET 2)

6310T1168  
 AA6318T1872  
 BB6318T1873

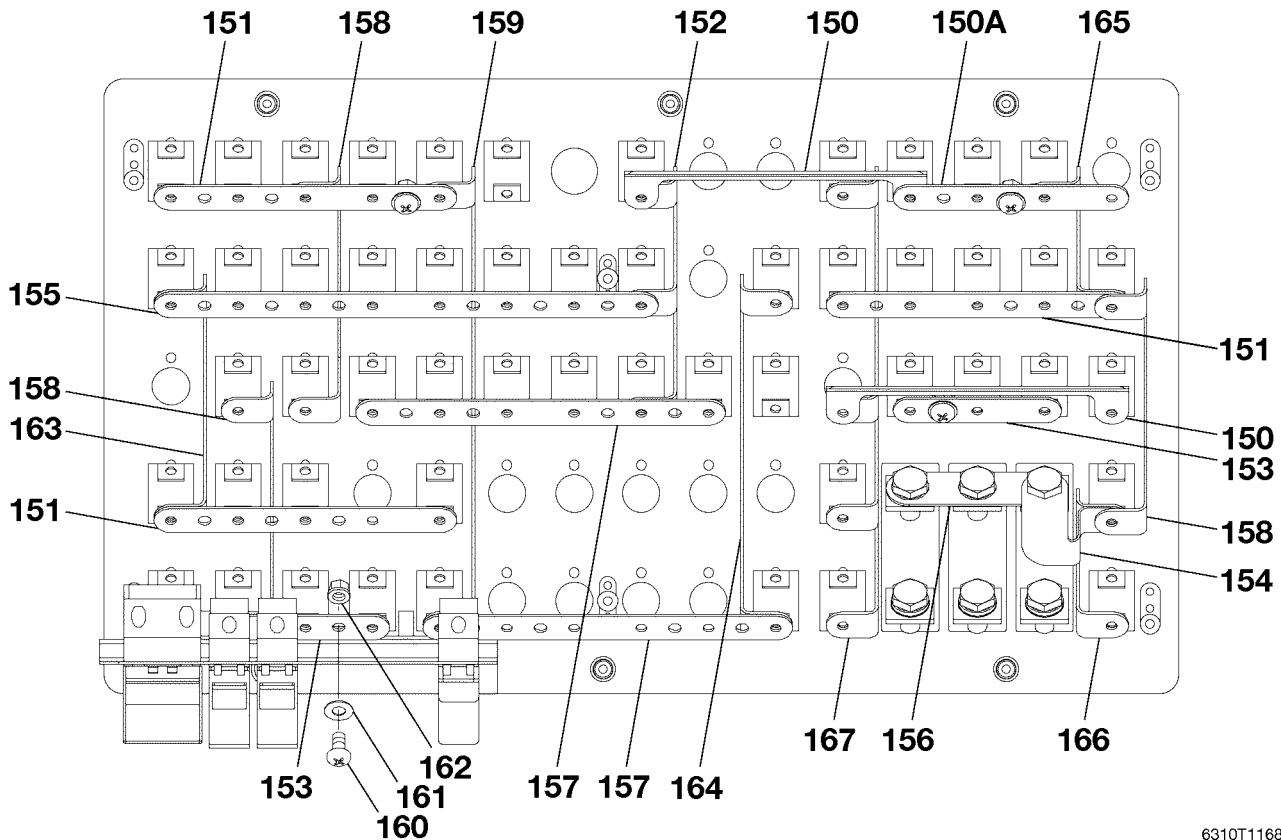
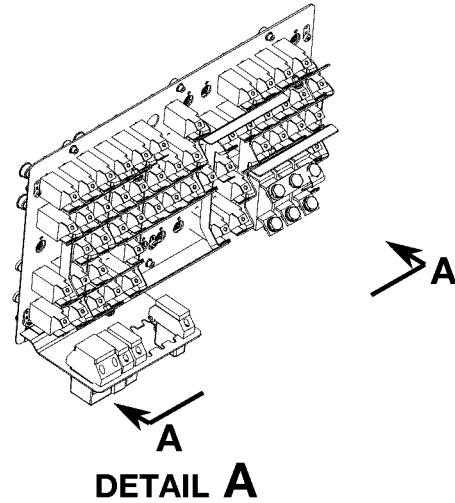
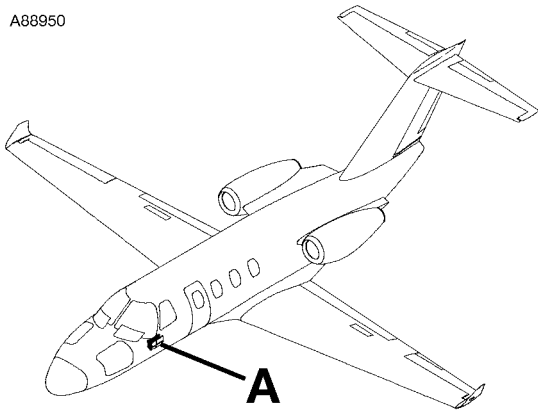
CESSNA®  
**MODEL 525 (SERIALS -0685 AND -0800 AND ON)**  
 ILLUSTRATED PARTS CATALOG

FIG ITEM	PART NUMBER	NOMENCLATURE	UNITS
			PER ASSY
		1 2 3 4 5 6 7	
01			
75	S2899L5.0	. . . CIRCUIT BREAKER-STBY FLIGHT DISPLAY HC035 . . . . .	01
76	S2899L5.0	. . . CIRCUIT BREAKER-FLIGHT HOUR HC036 . . . . .	01
77	S2899L5.0	. . . CIRCUIT BREAKER-AIR CONDITION HC037 . . . . .	01
78	S2899L10.0	. . . CIRCUIT BREAKER-AFT EVAPORATOR FAN HC038 . . . . .	01
79	S2899L20.0	. . . CIRCUIT BREAKER-FWD EVAPORATOR FAN HC039 . . . . .	01
- 80		. . . DELETED-NOT USED . . . . .	
81	S2899L5.0	. . . CIRCUIT BREAKER-WARNING LIGHTS 1 HC041 . . . . .	01
82	S2899L5.0	. . . CIRCUIT BREAKER-WARNING LIGHTS 2 HC042 . . . . .	01
83	S2899L5.0	. . . CIRCUIT BREAKER-LANDING GEAR MONITOR HC043 . . . . .	01
84	S2899L7.5	. . . CIRCUIT BREAKER-L ENGINE START HC045 . . . . .	01
85	S2899L5.0	. . . CIRCUIT BREAKER-PANEL LIGHTS HC046 . . . . .	01
86	S2899L5.0	. . . CIRCUIT BREAKER-ANGLE OF ATTACK HC052 . . . . .	01
87	S2899L5.0	. . . CIRCUIT BREAKER-PITCH TRIM HC054 . . . . .	01
88	S2899L5.0	. . . CIRCUIT BREAKER-SPEED BRAKE HC055 . . . . .	01
89	S2899L20.0	. . . CIRCUIT BREAKER-BRAKE SYSTEM HC056 . . . . .	01
90	S2899-35.0	. . . CIRCUIT BREAKER-R CB PANEL HC057 . . . . .	01
91	160-020-75	. . . CIRCUIT BREAKER-L BUS NO.1 HC058 . . . . . V76374	01
92	160-020-75	. . . CIRCUIT BREAKER-L BUS NO.2 HC059 . . . . . V76374	01
93	160-020-75	. . . CIRCUIT BREAKER-L BUS NO.3 HC060 . . . . . V76374	01
		ATTACHING PARTS	
94	MS24693-S26	. . . SCREW . . . . .	02
		—*—	
95	S2899L5.0	. . . CIRCUIT BREAKER-FLOOD LIGHTS HC061 . . . . .	01
96	S2899L5.0	. . . CIRCUIT BREAKER-MAP LIGHTS HC062 . . . . .	01
97	S2899L5.0	. . . CIRCUIT BREAKER-EQUIPMENT COOL HC067 . . . . .	01
98	S2899L5.0	. . . CIRCUIT BREAKER-FLAP CONTROL HC068 . . . . .	01
99	S2899L5.0	. . . CIRCUIT BREAKER-HYDRAULIC CONTROL HC069 . . . . .	01
100	S2899L5.0	. . . CIRCUIT BREAKER-GEAR CONTROL HC070 . . . . .	01
101	S2899L5.0	. . . CIRCUIT BREAKER-SKID CONTROL HC071 . . . . .	01
102	M83536/15-022L	. . . RELAY-PANEL LIGHTS KC001 . . . . .	01
103	ES1250402BG	. . . RELAY-RH P/S RELAY KC004 . . . . .	01
104	ES1250402BG	. . . RELAY-LH P/S RELAY KC005 . . . . .	01
105	M83536/9-024	. . . RELAY-FIRE BOTTLE LIGHT RELAY KC043 . . . . .	01
106	10164-1	. . . CAP-EXTENSION BLACK HC057, HC058, HC059 AND HC060 . . . . . V26835	04
107	10164-3	. . . CAP-EXTENSION HC045 AND HC054 . . . . . V26835	02
108	6318053-6	. . . RELAY BRACKET . . . . .	01
109	MS35206-228	. . . SCREW . . . . .	02

- ITEM NOT ILLUSTRATED

CESSNA®  
**MODEL 525 (SERIALS -0685 AND -0800 AND ON)**  
 ILLUSTRATED PARTS CATALOG

A88950



**VIEW A-A**

**CIRCUIT BREAKER PANEL ASSEMBLY - LH**  
**FIGURE 01 (SHEET 3)**

6310T1168  
 A6318T1874  
 AA6318T1875

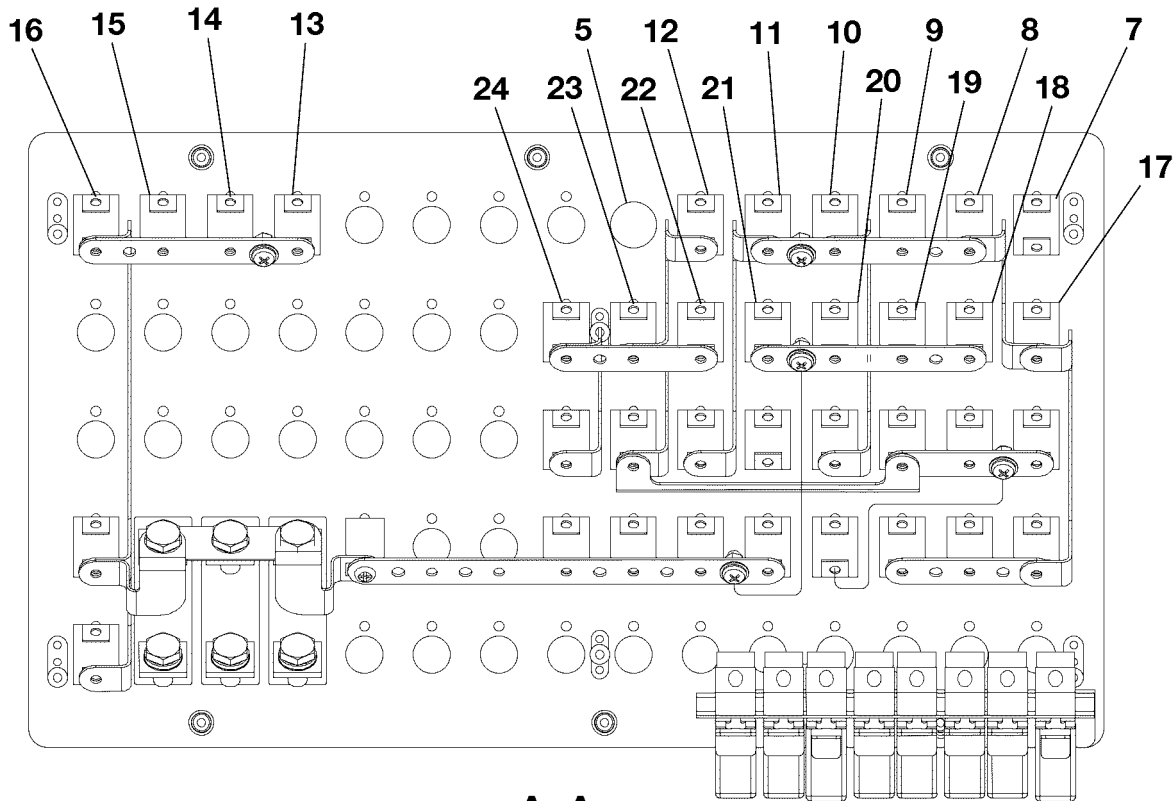
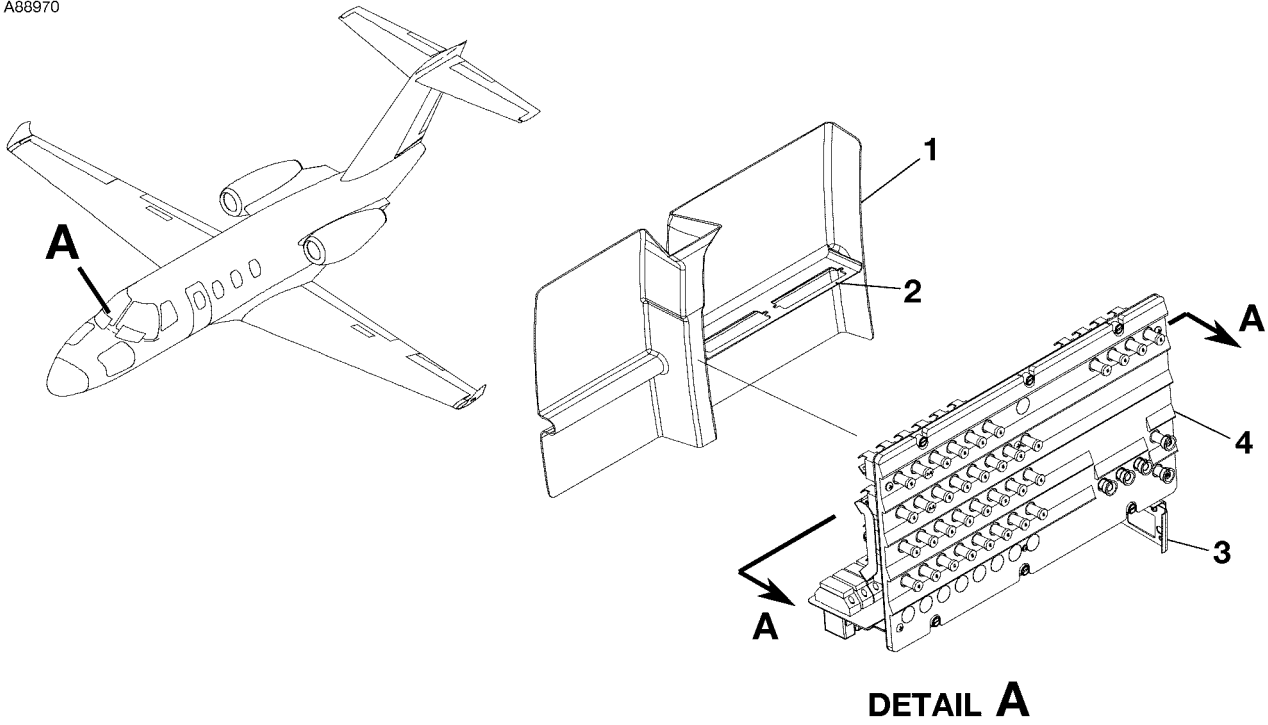
CESSNA®  
**MODEL 525 (SERIALS -0685 AND -0800 AND ON)**  
 ILLUSTRATED PARTS CATALOG

FIG ITEM	PART NUMBER	1 2 3 4 5 6 7	NOMENCLATURE	UNITS
				PER ASSY
01				
150	S4013-3	. . .	BUS BAR-HC073, HC074 . . . . .	03
150A	S4014-3	. . .	BUS BAR . . . . .	01
151	S4014-4	. . .	BUS BAR-HC073, HC072 . . . . .	03
152	S4015-1LLL	. . .	BUS BAR-HC073 . . . . .	01
153	S4014-2	. . .	BUS BAR-HC072, HC074 . . . . .	02
154	6518117-113	. . .	BUS BAR-HC073 . . . . .	01
155	S4014-7	. . .	BUS BAR-HC073 . . . . .	01
156	6518117-25	. . .	BUS BAR-HC073 . . . . .	01
157	S4014-5	. . .	BUS BAR-HC073, HC072 . . . . .	02
158	S4015-1LNL	. . .	BUS BAR-HC073, HC074, HC072 . . . . .	03
159	S4015-1LNNNL	. . .	BUS BAR-HC072 . . . . .	01
160	NAS602-6	. . .	SCREW . . . . .	AR
161	NAS1149FN816P	. . .	WASHER . . . . .	AR
162	MS21042L08	. . .	NUT . . . . .	AR
163	S4015-1LNLL	. . .	BUS BAR-HC073 . . . . .	01
164	S4015-1RNNR	. . .	BUS BAR-HC072 . . . . .	01
165	S4015-1LR	. . .	BUS BAR-HC073 . . . . .	01
166	S4015-1RR	. . .	BUS BAR-HC073 . . . . .	01
167	S4015-1LNLLL	. . .	BUS BAR-HC074 . . . . .	01

- ITEM NOT ILLUSTRATED

CESSNA®  
**MODEL 525 (SERIALS -0685 AND -0800 AND ON)**  
 ILLUSTRATED PARTS CATALOG

A88970



**VIEW A-A**

**CIRCUIT BREAKER PANEL ASSEMBLY - RH**  
**FIGURE 02 (SHEET 1)**

6310T1168  
 A6318T1880  
 AA6318T1880



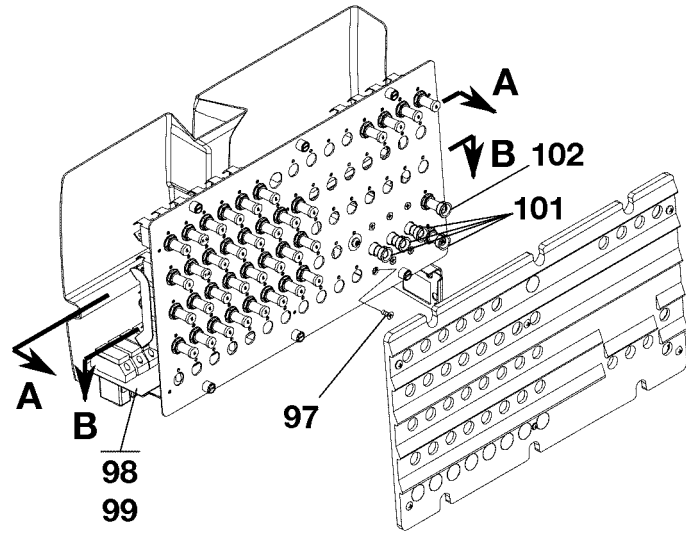
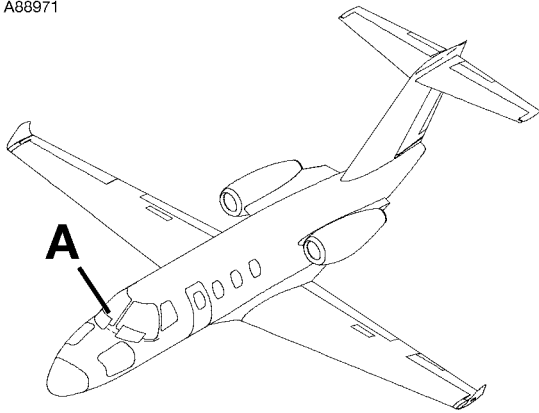
CESSNA®  
**MODEL 525 (SERIALS -0685 AND -0800 AND ON)**  
 ILLUSTRATED PARTS CATALOG

FIG ITEM	PART NUMBER	NOMENCLATURE	UNITS
			PER ASSY
		1 2 3 4 5 6 7	
02		CIRCUIT BREAKER PANEL ASSEMBLY - RH	RF
-			
1	6318055-6	. COVER . . . . .	01
2	6318828-3	. CONNECTOR BRACKET . . . . .	01
3	6318828-4	. BRACKET ASSY . . . . .	01
4		. LED PANEL-REFER TO 33-10-00 FIGURE 02 . . . . .	RF
5	CM2692-15P1S	. PLUG BUTTON . . . . .	AR
-	6318876-4	. PANEL ASSY . . . . .	01
7	S2899L5.0	. . CIRCUIT BREAKER-AUDIO/MKR 1 HF101 . . . . .	01
8	S2899L7.5	. . CIRCUIT BREAKER-COMM 1 HF102 . . . . .	01
9	S2899L5.0	. . CIRCUIT BREAKER-XPDR 1 HF103 . . . . .	01
10	S2899L5.0	. . CIRCUIT BREAKER-NAV IAU 1 HF104 . . . . .	01
11	S2899L5.0	. . CIRCUIT BREAKER-PA AMP HF105 . . . . .	01
12	S2899L5.0	. . CIRCUIT BREAKER-TCAS HF106 . . . . .	01
13	S2899L5.0	. . CIRCUIT BREAKER-R FUEL QTY HF111 . . . . .	01
14	S2899L5.0	. . CIRCUIT BREAKER-R FUEL CONTROL HF112 . . . . .	01
15	S2899L5.0	. . CIRCUIT BREAKER-R OIL PRESSURE HF113 . . . . .	01
16	S2899L5.0	. . CIRCUIT BREAKER-ENGINE INTERFACE 2 HF114 . . . . .	01
17	S2899L5.0	. . CIRCUIT BREAKER-AUDIO/MKR 2 HF115 . . . . .	01
18	S2899L7.5	. . CIRCUIT BREAKER-COMM 2 HF116 . . . . .	01
19	S2899L5.0	. . CIRCUIT BREAKER-XPDR 2 HF117 . . . . .	01
20	S2899L5.0	. . CIRCUIT BREAKER-NAV IAU 2 HF118 . . . . .	01
21	S2899L5.0	. . CIRCUIT BREAKER-RADAR HF119 . . . . .	01
22	S2899L5.0	. . CIRCUIT BREAKER-MFD HF120 . . . . .	01
23	S2899L5.0	. . CIRCUIT BREAKER-RAD ALT HF121 . . . . .	01
24	S2899L5.0	. . CIRCUIT BREAKER-DME 1 HF122 . . . . .	01

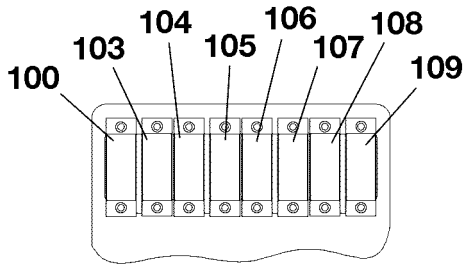
- ITEM NOT ILLUSTRATED

CESSNA®  
**MODEL 525 (SERIALS -0685 AND -0800 AND ON)**  
 ILLUSTRATED PARTS CATALOG

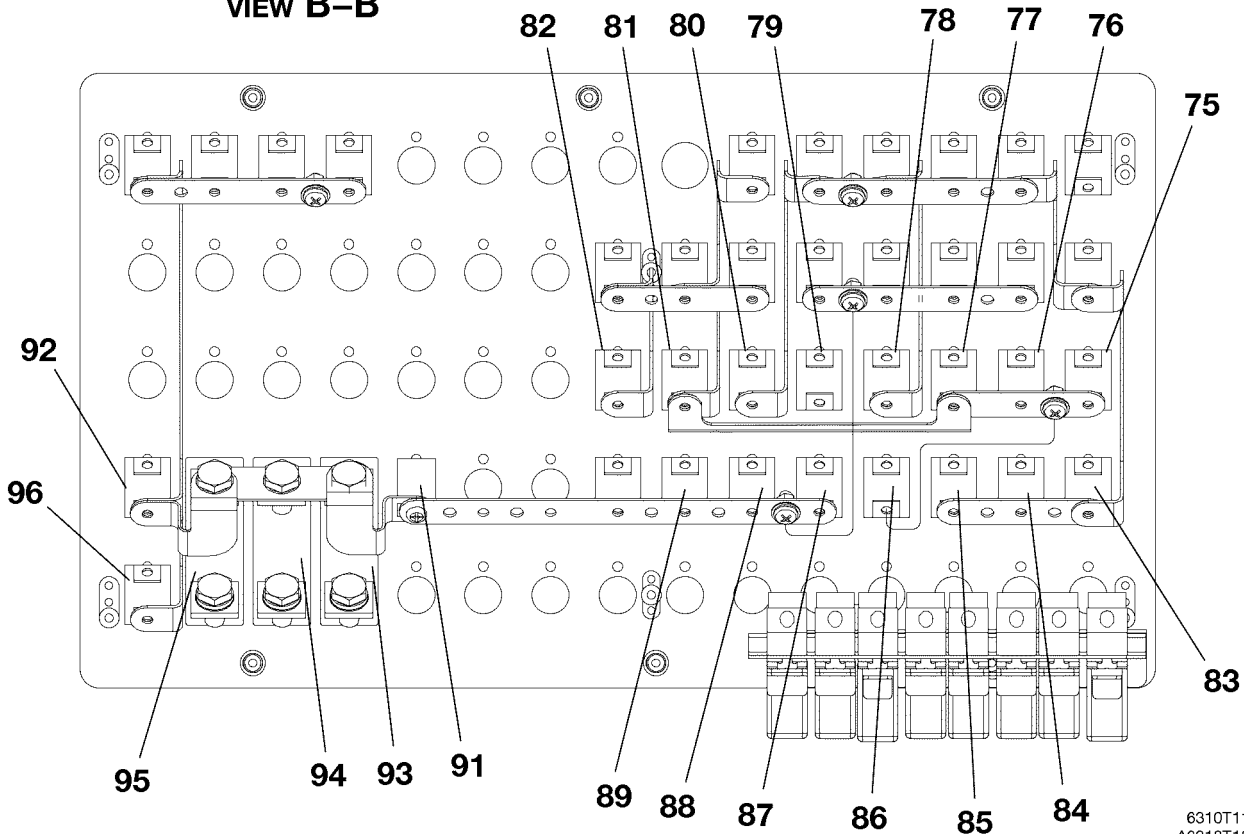
A88971



**DETAIL A**



**VIEW B-B**



**VIEW A-A**

**CIRCUIT BREAKER PANEL ASSEMBLY - RH**  
**FIGURE 02 (SHEET 2)**

6310T1168  
 A6318T1880  
 AA6318T1880  
 BB6318T1880

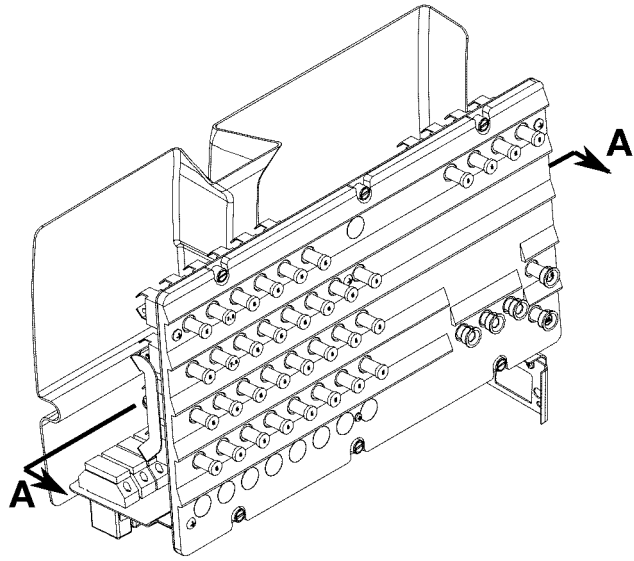
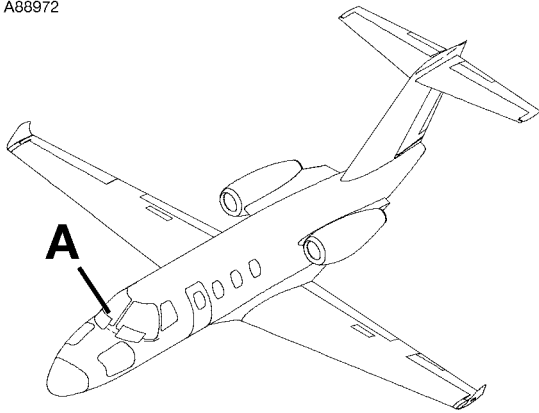
CESSNA®  
**MODEL 525 (SERIALS -0685 AND -0800 AND ON)**  
 ILLUSTRATED PARTS CATALOG

FIG ITEM	PART NUMBER	NOMENCLATURE							UNITS PER ASSY
		1	2	3	4	5	6	7	
02									
75	S2899L5.0	. . .							01
76	S2899L5.0	. . .							01
77	S2899L5.0	. . .							01
78	S2899L5.0	. . .							01
79	S2899L5.0	. . .							01
80	S2899L5.0	. . .							01
81	S2899L5.0	. . .							01
82	S2899L5.0	. . .							01
83	S2899L5.0	. . .							01
84	S2899L5.0	. . .							01
85	S2899L5.0	. . .							01
86	S2899L5.0	. . .							01
87	S2899L5.0	. . .							01
88	S2899L5.0	. . .							01
89	S2899L5.0	. . .							01
- 90		. . .							
91	S3478-1	. . .							01
92	S2899L7.5	. . .							01
93	160-020-75	. . .						V76374	01
94	160-020-75	. . .						V76374	01
95	160-020-75	. . .						V76374	01
96	S2899-35.0	. . .							01
97	MS24693-S26	. . .							06
98	6318053-6	. . .							01
		. . .							
99	MS35206-228	. . .							02
		. . .							
100	M6106/19-012	. . .							01
101	10164-1	. . .						V26835	04
102	10164-3	. . .						V26835	01
103	M83536/9-024	. . .							01
104	M83536/9-024	. . .							01
105	M83536/9-024	. . .							01
106	M6106/19-012	. . .							01
107	M83536/9-024	. . .							01
108	M83536/9-024	. . .							01
109	M83536/9-024	. . .							01

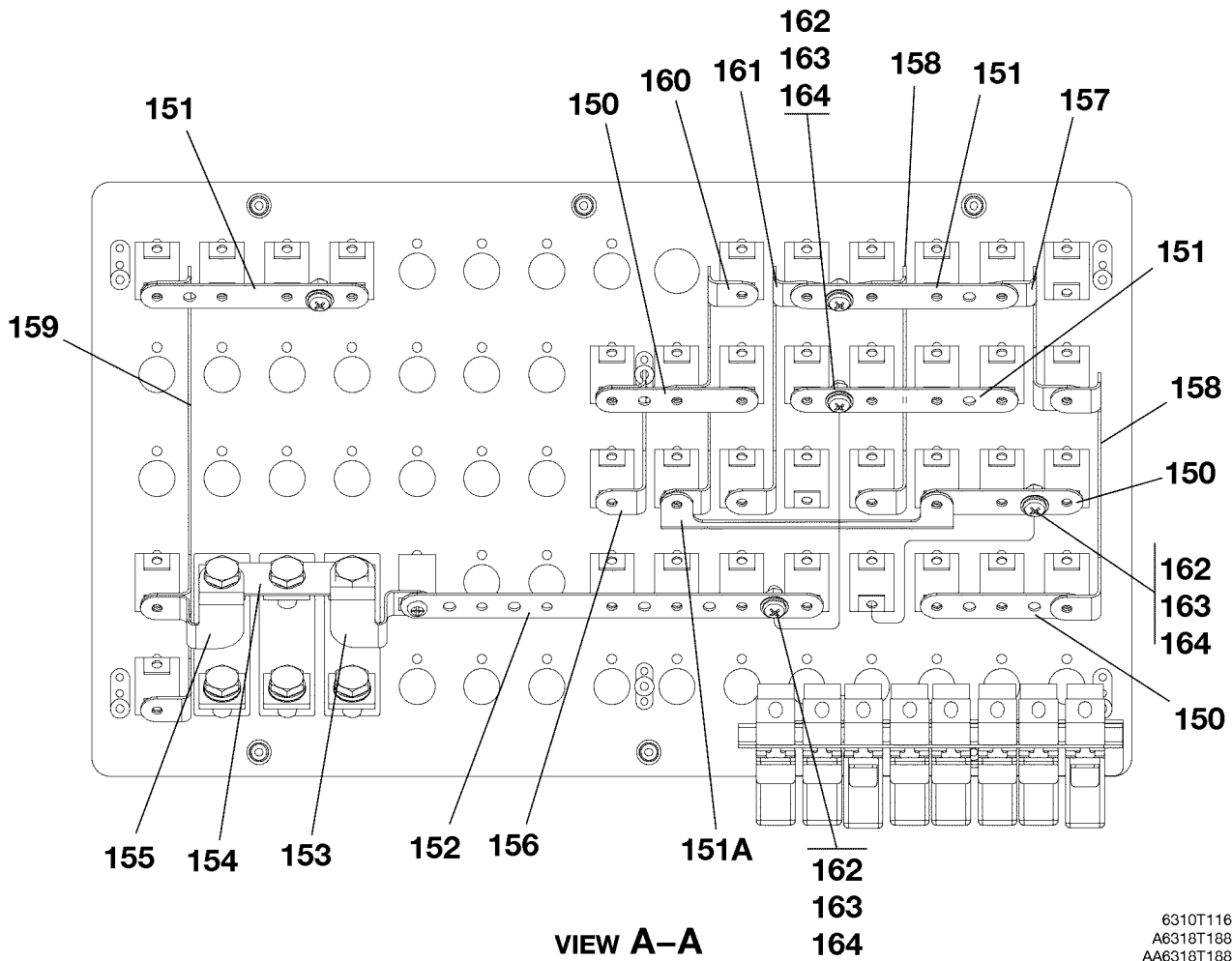
- ITEM NOT ILLUSTRATED

CESSNA®  
**MODEL 525 (SERIALS -0685 AND -0800 AND ON)**  
 ILLUSTRATED PARTS CATALOG

A88972



**DETAIL A**



**VIEW A-A**

**CIRCUIT BREAKER PANEL ASSEMBLY - RH**  
**FIGURE 02 (SHEET 3)**

6310T1168  
 A6318T1880  
 AA6318T1880

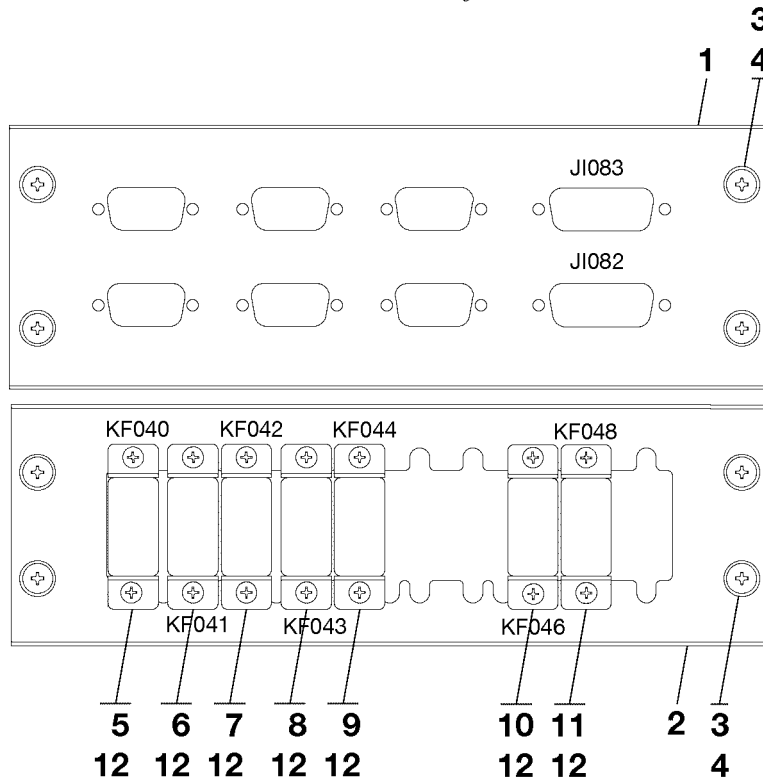
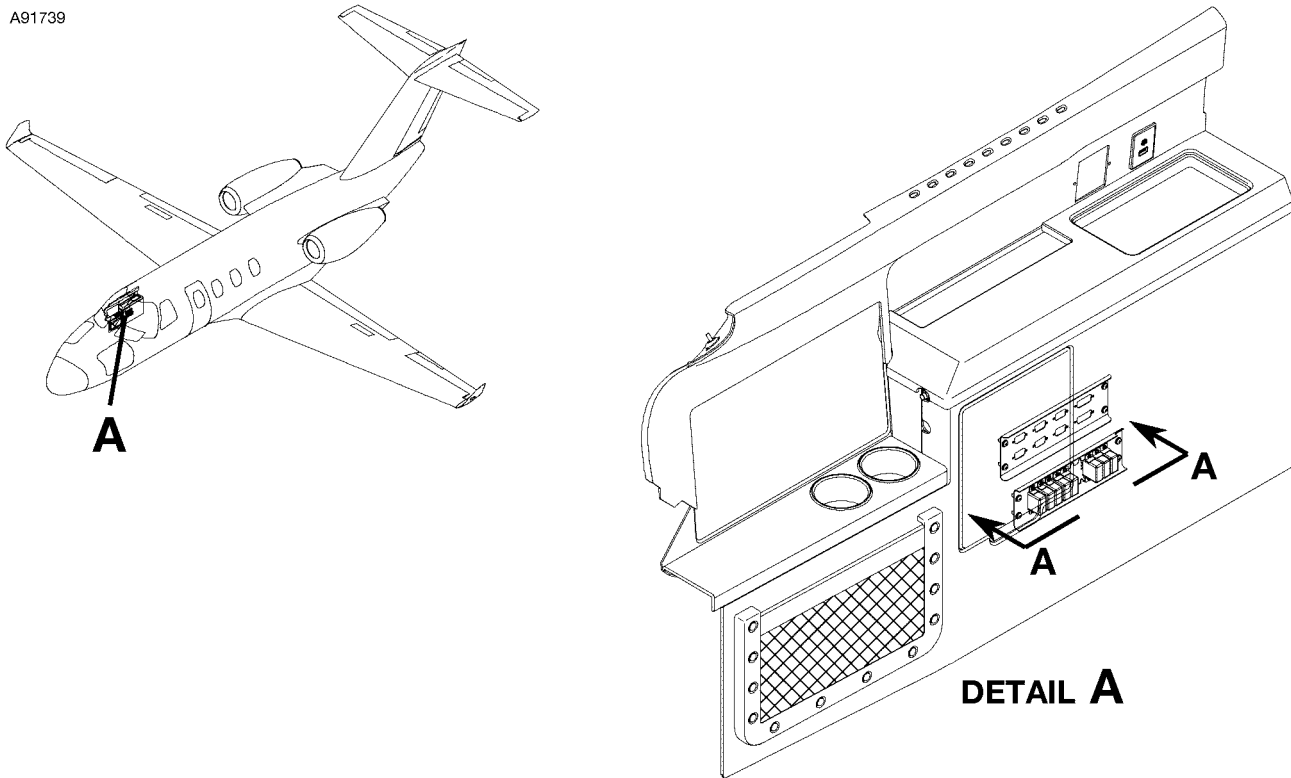
CESSNA®  
**MODEL 525 (SERIALS -0685 AND -0800 AND ON)**  
 ILLUSTRATED PARTS CATALOG

FIG ITEM	PART NUMBER	NOMENCLATURE							UNITS PER ASSY
		1	2	3	4	5	6	7	
02									
150	S4014-2	. . .	BUS BAR-HORIZONTAL	. . . . .					03
151	S4014-3	. . .	BUS BAR-HORIZONTAL	. . . . .					03
151A	S4013-3	. . .	BUS BAR-HORIZONTAL	. . . . .					01
152	S4014-6	. . .	BUS BAR-HORIZONTAL	. . . . .					01
153	6518117-113	. . .	BUS BAR	. . . . .					01
154	6518117-25	. . .	BUS BAR	. . . . .					01
155	6518117-72	. . .	BUS BAR	. . . . .					01
156	S4015-1LL	. . .	BUS BAR-VERTICAL	. . . . .					01
157	S4015-1LR	. . .	BUS BAR-VERTICAL	. . . . .					01
158	S4015-1LNL	. . .	BUS BAR-VERTICAL	. . . . .					02
159	S4015-1LNLL	. . .	BUS BAR-VERTICAL	. . . . .					01
160	S4015-1RLL	. . .	BUS BAR-VERTICAL	. . . . .					01
161	S4015-1RNL	. . .	BUS BAR-VERTICAL	. . . . .					01
162	NAS602-6	. . .	SCREW	. . . . .					AR
163	NAS1149FN816P	. . .	WASHER	. . . . .					AR
164	MS21042L08	. . .	NUT	. . . . .					AR

- ITEM NOT ILLUSTRATED

CESSNA®  
**MODEL 525 (SERIALS -0685 AND -0800 AND ON)**  
 ILLUSTRATED PARTS CATALOG

A91739



**DETAIL A**

SIDE CONSOLE RELAY INSTALLATION - RH  
 FIGURE 03 (SHEET 1)

6310T1168  
 A6318T1987  
 AA6318T1987

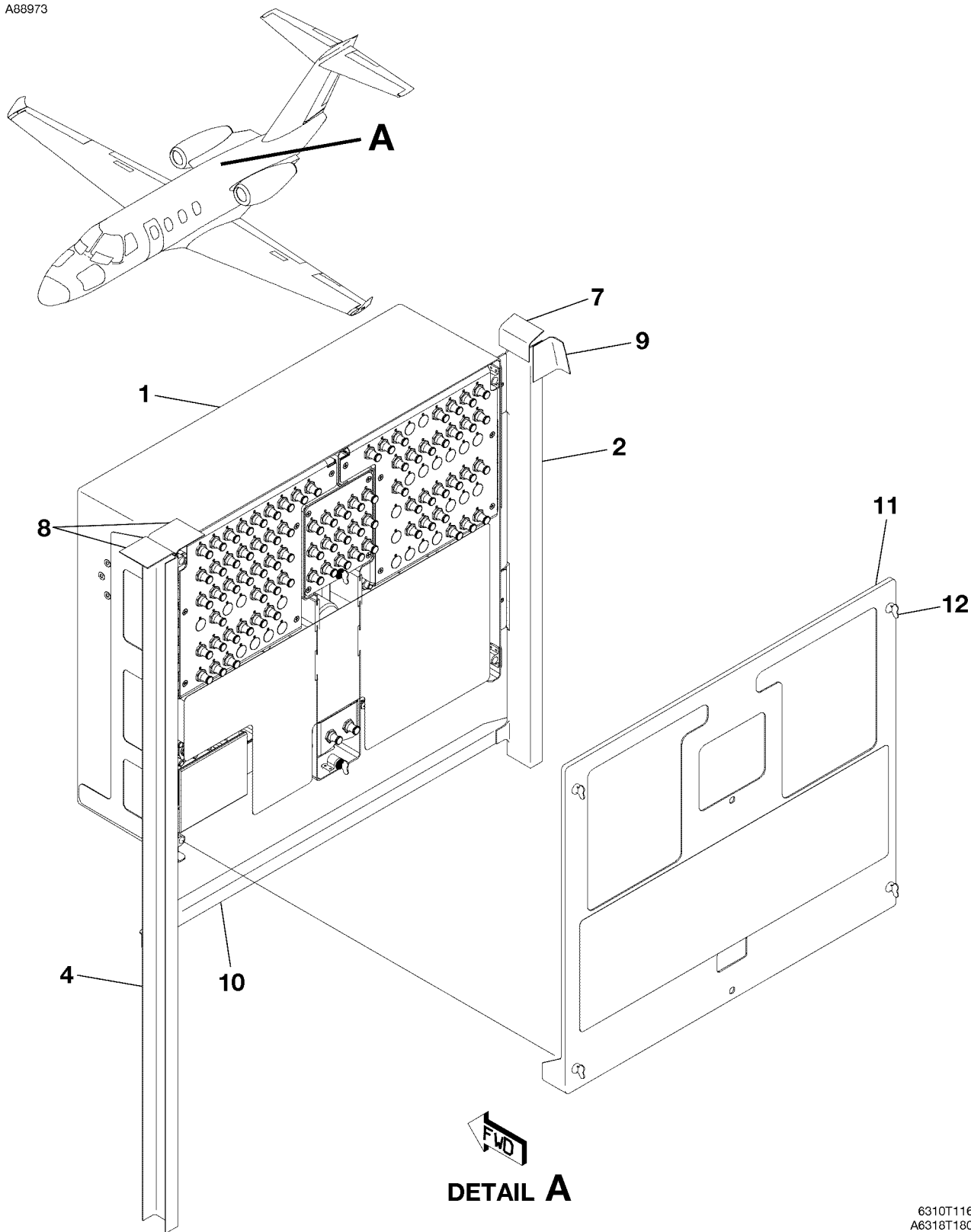
CESSNA®  
**MODEL 525 (SERIALS -0685 AND -0800 AND ON)**  
 ILLUSTRATED PARTS CATALOG

FIG ITEM	PART NUMBER	NOMENCLATURE	UNITS
			PER ASSY
03			
-		SIDE CONSOLE RELAY INSTALLATION - RH	RF
1	6318885-3	. TRAY . . . . .	01
2	9154065-8	. TRAY . . . . .	01
		ATTACHING PARTS	
3	MS27039-0806	. SCREW . . . . .	04
4	NAS1149DN832K	. WASHER . . . . .	04
		—*—	
5	M6106/19-012	. RELAY-KF040 . . . . .	01
6	M6106/19-012	. RELAY-KF041 . . . . .	01
7	M6106/19-012	. RELAY-KF042 . . . . .	01
8	M83536/9-024	. RELAY-KF043 . . . . .	01
9	M83536/9-024	. RELAY-KF044 . . . . .	01
10	M83536/9-024	. RELAY-KF046 . . . . .	01
11	M83536/9-024	. RELAY-KF048 . . . . .	01
12	450040150	. JRS HARDWARE PACKAGE . . . . . V58982	14

- ITEM NOT ILLUSTRATED

CESSNA®  
MODEL 525 (SERIALS -0685 AND -0800 AND ON)  
ILLUSTRATED PARTS CATALOG

A88973



**DETAIL A**

POWER JUNCTION BOX INSTALLATION  
FIGURE 01 (SHEET 1)

6310T1168  
A6318T1806



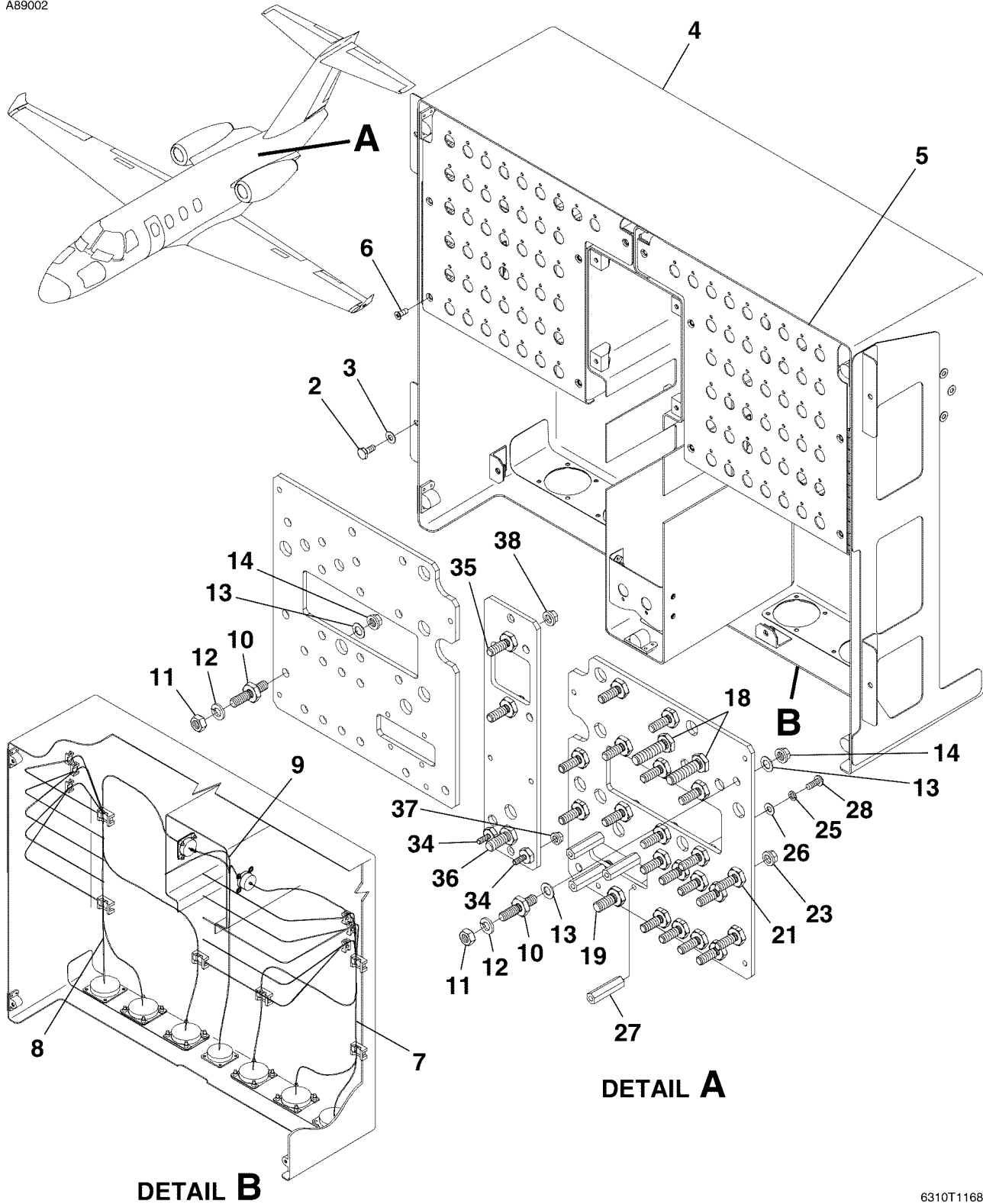
CESSNA®  
**MODEL 525 (SERIALS -0685 AND -0800 AND ON)**  
 ILLUSTRATED PARTS CATALOG

FIG ITEM	PART NUMBER	NOMENCLATURE	UNITS
			PER ASSY
		1 2 3 4 5 6 7	
01		POWER JUNCTION BOX INSTALLATION	RF
-			
1		. POWER JUNCTION BOX ASSY REFER TO 24-50-02 FIGURE 02 . . . . .	RF
2	6318924-6	. CHANNEL ASSY-OUTBOARD . . . . .	01
- 3	MS21075L3N	. . NUTPLATE . . . . .	02
4	6318924-4	. CHANNEL ASSY-INBOARD . . . . .	01
- 5	MS21075L3N	. . NUTPLATE . . . . .	02
- 6	6318015-65	. . ANCHOR ASSY . . . . .	03
7	6318350-10	. CLIP-OUTBOARD . . . . .	01
8	6318350-9	. CLIP-INBOARD . . . . .	02
9	6318350-11	. GUSSET . . . . .	01
10	6318924-8	. ANGLE . . . . .	01
11	6318940-4	. COVER ASSY . . . . .	01
12	S3275-3W	. . STUD . . . . .	06
- 13	5538341-20	. . BAG ASSY . . . . .	01
- 14	MS27981-1B	. . . BUTTON . . . . .	02 R
- 15	MS27981-3B	. . . SOCKET . . . . .	02 R
- 16	MS27981-4B	. . . STUD . . . . .	02 R
- 17	MS27981-5B	. . . EYELET . . . . .	02 R
- 18	5538341-21	. . . BAG . . . . .	01 R
- 19	5538341-22	. . . LETTERING . . . . .	01 R
- 20	ANL-100	. FUSE LIMITER . . . . . V71400	02 R
- 21	ANL-80	. FUSE . . . . . V71400	01 R
- 22	ANL225	. LIMITER . . . . . V71400	01 R
- 23	ANL60	. FUSE LIMITER . . . . . V71400	01 R

- ITEM NOT ILLUSTRATED

CESSNA®  
**MODEL 525 (SERIALS -0685 AND -0800 AND ON)**  
 ILLUSTRATED PARTS CATALOG

A89002



POWER JUNCTION BOX ASSEMBLY  
 FIGURE 02 (SHEET 1)

6310T1168  
 A6318T1908  
 B6318T1908

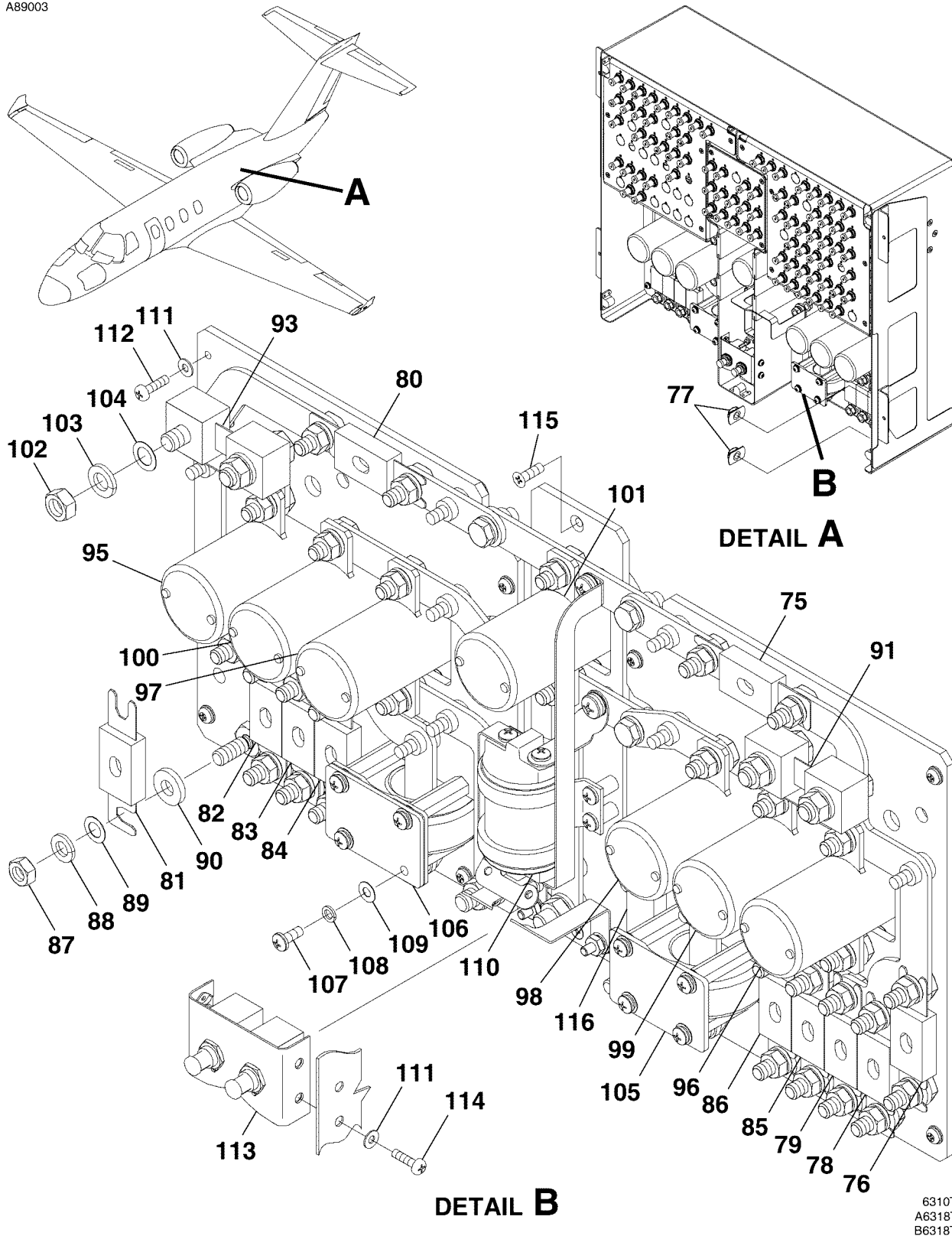
CESSNA®  
**MODEL 525 (SERIALS -0685 AND -0800 AND ON)**  
 ILLUSTRATED PARTS CATALOG

FIG ITEM	PART NUMBER	NOMENCLATURE	UNITS	
			PER	ASSY
02		POWER JUNCTION BOX ASSEMBLY		RF
-				
- 1	6318961-1	POWER J-BOX ASSY	0800	0893 01
- 1A	6318961-2	POWER J-BOX ASSY	0894	0973 01
- 1B	6318961-4	POWER J-BOX ASSY	0974	0991 01 R
- 1C	6318961-5	POWER J-BOX ASSY	0992	0992 01 R
- 1D	6318961-6	POWER J-BOX ASSY	0993	& ON 01 R
		ATTACHING PARTS		
2	AN3-3A	BOLT		04
3	NAS1149F0332P	WASHER		04
		—*—		
4		POWER JUNCTION BOX STRUCTURE REFER TO 24-50-02 FIGURE 03		RF
5		POWER JUNCTION BOX CIRCUIT BREAKER PANEL REFER TO 24-50-02 FIGURE 04		RF
6	MS24693-S49	SCREW		14
7	6308240-1	WIRE BUNDLE ASSY-LH	0800	0893 01
- 7A	6308240-5	WIRE BUNDLE ASSY-LH	0894	0973 01
- 7B	6308240-9	WIRE BUNDLE ASSY-LH	0974	0992 01 R
- 7C	6308240-11	WIRE BUNDLE ASSY-LH	0993	& ON 01 R
8	6308240-2	WIRE BUNDLE ASSY-RH	0800	0893 01
- 8A	6308240-6	WIRE BUNDLE ASSY-RH	0894	0973 01
- 8B	6308240-10	WIRE BUNDLE ASSY-RH	0974	& ON 01
9	6308240-3	WIRE BUNDLE ASSY-EMERGENCY POWER	0800	0991 01 R
- 9A	6308240-8	WIRE BUNDLE ASSY-EMERGENCY POWER	0992	& ON 01 R
10	6718439-17	STUD	0800	0893 02
		ATTACHING PARTS		
11	AN315-6R	NUT		03
12	MS35338-46	WASHER-LOCK, SPRING		01
13	NAS1149F0616P	WASHER		01
14	MS21042-5	NUT		01
		—*—		
- 15	6318962-17	RELAY PANEL ASSY-LH	0800	0893 01
- 15A	6318962-25	RELAY PANEL ASSY-LH	0894	0991 01 R
- 15B	6318962-1	RELAY PANEL ASSY-LH	0992	& ON 01 R
- 16	6318962-18	RELAY PANEL ASSY-RH	0800	0893 01
- 16A	6318962-26	RELAY PANEL ASSY-RH	0894	0991 01 R
- 16B	6318939-14	RELAY PANEL ASSY-RH	0992	& ON 01 R
- 17	6318922-1	RELAY PANEL-RH		01
18	6618353-20	STUD		02
19	6318939-18	STUD-LH		01
- 20	6318939-18	STUD-RH		02
21	6718439-16	STUD-LH		21
- 22	6718439-16	STUD-RH		17
23	MS21042-5	NUT-LH		AR
- 24	MS21042-5	NUT-RH		AR
- 24A	NAS1291X5	NUT ALT FOR MS21042-5		AR
25	MS35338-43	WASHER-LOCK, SPRING		04
26	NAS1149F0332P	WASHER		04
27	S2971-23CP1032	STANDOFF		04
28	MS35207-263	SCREW		04
- 29	6718439-17	STUD-LH	0894	& ON 01
- 30	6718439-17	STUD-RH	0894	& ON 01
- 31	6318962-20	SILKSCREEN-RH RELAY REFER TO NOTE 1		01
- 32	6318962-22	SILKSCREEN-RH REAR REFER TO NOTE 1		01
- 33	6318962-2	RELAY PANEL ASSY-EMERGENCY		01
34	6618353-18	STUD		02
35	6718439-16	STUD		02
36	6318939-18	STUD		01
37	MS21042-4	NUT		02
- 37A	NAS1291X4	NUT ALT FOR MS21042-4		02
38	MS21042-5	NUT		03
- 38A	NAS1291X5	NUT ALT FOR MS21042-5		03

NOTE 1—WHEN ORDERING SILKSCREEN PART NUMBERS, THE PRODUCT YOU RECEIVE WILL BE IN THE FORM OF A PLACARD.

CESSNA®  
**MODEL 525 (SERIALS -0685 AND -0800 AND ON)**  
 ILLUSTRATED PARTS CATALOG

A89003



**POWER JUNCTION BOX ASSEMBLY**  
 FIGURE 02 (SHEET 2)

6310T1168  
 A6318T1908  
 B6318T1908

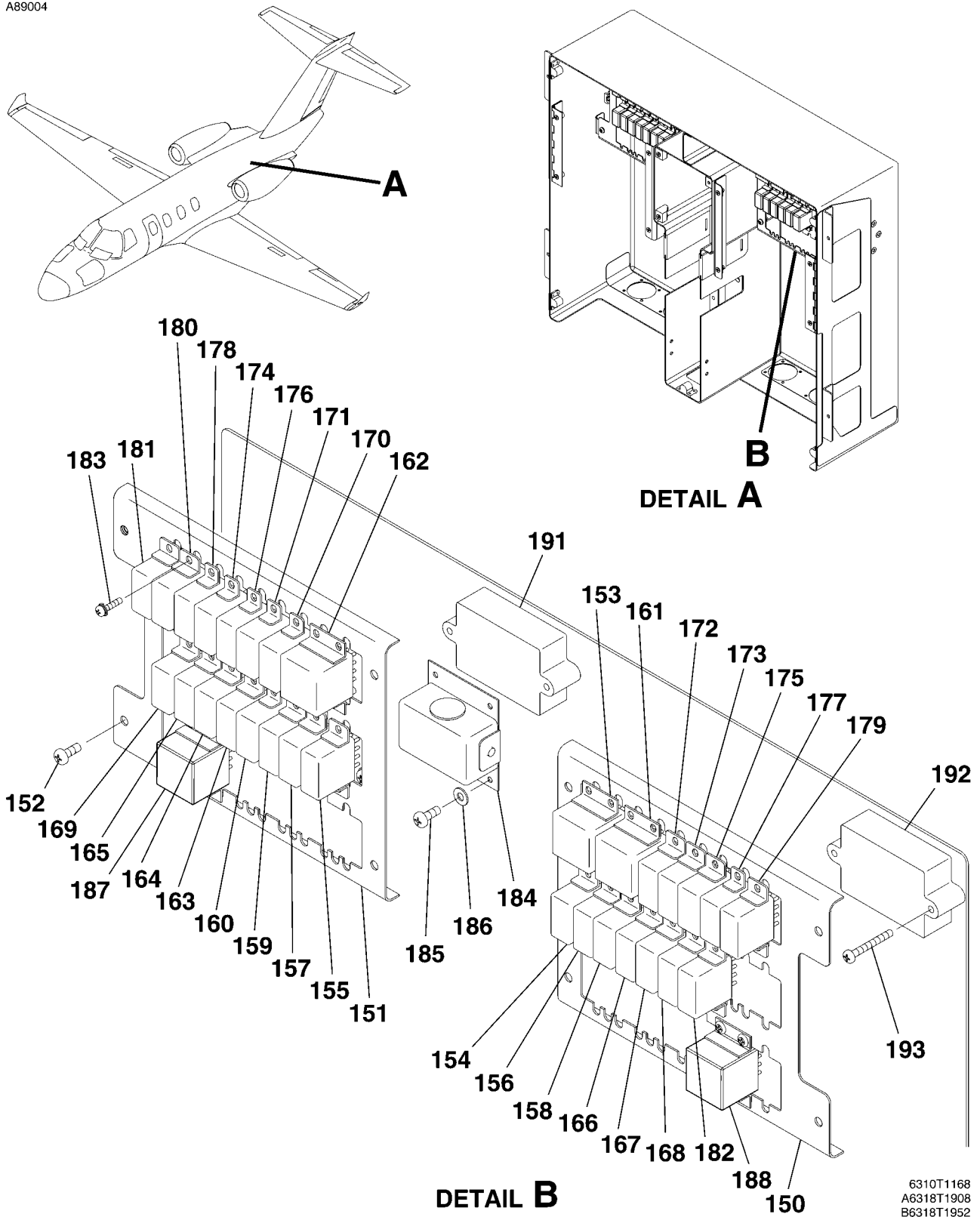
CESSNA®  
**MODEL 525 (SERIALS -0685 AND -0800 AND ON)**  
 ILLUSTRATED PARTS CATALOG

FIG ITEM	PART NUMBER	NOMENCLATURE	UNITS PER ASSY		
			1	2	3
02					
75	ANL225	.. FUSE LIMITER-LH CROSSFEED HZ020 ..	V71400		01
76	ANL80	.. FUSE-LH CB PANEL POWER NO. 1 HZ021 ..	V71400		01
77	CB3019AA3N750	.. CABLE TIE ..			02
78	ANL80	.. FUSE-LH CB PANEL POWER NO. 2 HZ022 ..	V71400		01
79	ANL80	.. FUSE-LH CB PANEL POWER NO. 3 HZ023 ..	V71400		01
80	ANL225	.. FUSE LIMITER-RH CROSSFEED HZ024 ..	V71400		01
81	ANL80	.. FUSE-RH CB PANEL POWER NO. 1 HZ025 ..	V71400		01
82	ANL80	.. FUSE-RH CB PANEL POWER NO. 2 HZ026 ..	V71400		01
83	ANL80	.. FUSE-RH CB PANEL POWER NO. 3 HZ027 ..	V71400		01
84	ANL100	.. CURRENT LIMITER-AIR CONDITIONING HZ028 ..	V71400	0800	0893 01
- 84A	ANL-100	.. FUSE LIMITER-AIR CONDITIONING HZ028 ..	V71400	0894	& ON 01
85	ANL60	.. FUSE LIMITER-A/C INVERTER HZ030 ..	V71400	0800	0973 01
- 85A	ANL-60	.. FUSE LIMITER-A/C INVERTER HZ030 ..	V71400	0974	& ON 01
86	ANL60	.. FUSE LIMITER-INTERIOR SPARE POWER HZ033 ..	V71400	0800	0973 01
- 86A	ANL-60	.. FUSE LIMITER-INTERIOR SPARE POWER HZ033 ..	V71400	0974	& ON 01
87	AN315-5R	.. NUT ..			38
88	MS35338-45	.. WASHER-LOCK, SPRING ..			38
89	NAS1149F0516P	.. WASHER ..			38
90	S1450-5B12-125	.. WASHER ..			10
91	S2609-3	.. SHUNT ASSY-LH AMMETER RZ003 ..			01
- 92	APC76268-2	.. PC BOARD ..			01
93	S2609-3	.. SHUNT ASSY-RH AMMETER RZ004 ..			01
- 94	APC76268-2	.. PC BOARD ..			01
95	S3602-2	.. CONTACTOR-RH GENERATOR RELAY KZ007 ..			01
96	S3602-2	.. CONTACTOR-INTERIOR MASTER RELAY KZ008 ..			01
97	S3602-2	.. CONTACTOR-EXTERNAL POWER RELAY KZ009 ..			01
98	S3602-2	.. CONTACTOR-LH START RELAY KZ010 ..			01
99	S3602-2	.. CONTACTOR-LH GENERATOR RELAY KZ011 ..			01
100	S3602-2	.. CONTACTOR-RH START RELAY KZ012 ..			01
101	S3602-2	.. CONTACTOR-BATTERY ISOLATION RELAY KZ013 ..			01
102	AN315-6R	.. NUT ..			07
103	MS35338-46	.. WASHER-LOCK, SPRING ..			07
104	NAS1149F0616P	.. WASHER ..			07
105	76779-1	.. TRANSFORMER-LH ENGINE GROUND FAULT UZ001 ..	V2X920		01
106	76779-1	.. TRANSFORMER-RH ENGINE GROUND FAULT UZ002 ..	V2X920		01
		ATTACHING PARTS			
107	MS35207-263	.. SCREW ..			04
108	MS35338-43	.. WASHER-LOCK, SPRING ..			04
109	NAS1149F0316P	.. WASHER ..			08
		—*—			
110	29.021.12.943	.. RELAY-ELECTRICAL EMER KZ014 ..	VD1510		01
111	NAS1149FN832P	.. WASHER ..			12
112	MS35206-246	.. SCREW ..			08
113		.. PANEL ASSY-ELECTRICAL/AVIONICS REFER TO 24-50-02 FIGURE 04 ..			RF
114	MS35206-244	.. SCREW ..			04
115	MS24693-S51	.. SCREW ..			02
116	ANL100	.. CURRENT LIMITER-AUX J-BOX FEED HZ900 ..		0800	0893 01
- 116A	ANL-100	.. FUSE LIMITER-AUX J-BOX FEED HZ900 ..		0894	& ON 01

- ITEM NOT ILLUSTRATED

CESSNA®  
**MODEL 525 (SERIALS -0685 AND -0800 AND ON)**  
 ILLUSTRATED PARTS CATALOG

A89004



**POWER JUNCTION BOX ASSEMBLY**  
 FIGURE 02 (SHEET 3)

6310T1168  
 A6318T1908  
 B6318T1952

**CESSNA®**  
**MODEL 525 (SERIALS -0685 AND -0800 AND ON)**  
**ILLUSTRATED PARTS CATALOG**

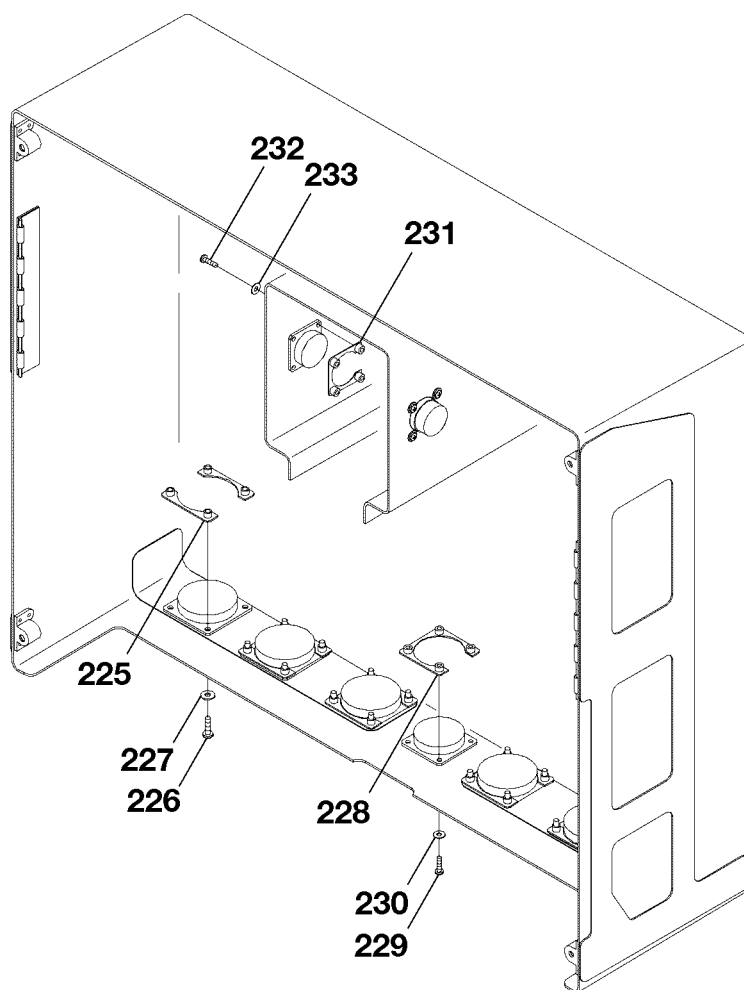
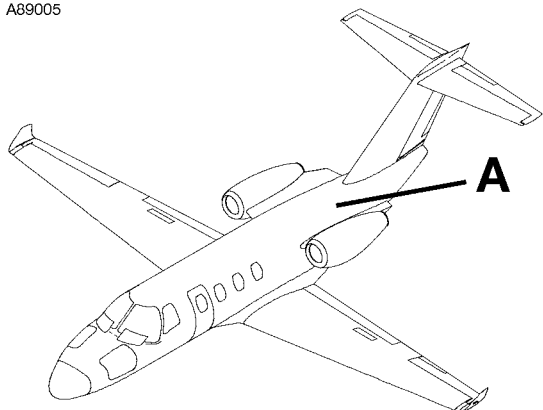
FIG ITEM	PART NUMBER	1 2 3 4 5 6 7	NOMENCLATURE	UNITS	
				PER	ASSY
02					
150	6318940-26		RELAY PANEL-LH		01
151	6318940-25		RELAY PANEL-RH		01
			ATTACHING PARTS		
152	MS35206-244		SCREW		04
			—*		
153	M83536/15-022L		RELAY-EMER PRESSURIZATION KZ015		01
154	M83536/9-024		RELAY-LH ENGINE ANTI-ICE VALVE KZ019		01
155	M83536/9-024		RELAY-RH ENGINE ANTI-ICE VALVE KZ020		01
156	M83536/9-024		RELAY-LH WING ANTI-ICE O'HEAT KZ021		01
157	M83536/9-024		RELAY-RH WING ANTI-ICE O'HEAT KZ022		01
158	M83536/9-024		RELAY-LH WING ANTI-ICE VALVE PWR KZ023		01
159	M83536/9-024		RELAY-RH WING ANTI-ICE VALVE PWR KZ024		01
160	M6106/19-012		RELAY-FRESH AIR FAN KZ026		01
161	M83536/15-022L		RELAY-LH F/W SHUTOFF KZ027		01
162	M83536/15-022L		RELAY-RH F/W SHUTOFF KZ028		01
163	M83536/15-022		RELAY-NAV LIGHTS POWER KZ030		01
164	M83536/9-024		RELAY-BEACON LIGHT POWER KZ032		01
165	M83536/9-024		RELAY-ANTI-COLLISION LIGHTS PWR KZ034		01
166	M83536/9-024		RELAY-LH ENG ANTI-ICE VALVE LOAD KZ035		01
167	M83536/9-024		RELAY-RH ENG ANTI-ICE VALVE LOAD KZ037		01
168	M83536/9-024		RELAY-BLEED AIR LOAD CONTROL KZ039		01
169	M83536/9-024		RELAY-TAIL FLOOD LIGHT KZ042		01
170	M6106/19-012		RELAY-CONDENSER FAN KZ052		01
171	M6106/19-012		RELAY-DISPATCH 4 KZ054		01
172	M83536/9-024		RELAY-LI-ION DISC RELAY KZ077		01
173	M83536/9-024		RELAY-BATTERY DISC KZ055		01
174	M6106/19-012		RELAY-MAX COOL INHIBIT KZ070		01
175	M83536/9-024		RELAY-FDR KZ075		01
176	M83536/9-024		RELAY-CVR KZ082		01
177	M83536/9-024		RELAY-LH T2 HEAT CURRENT SENSOR KZ071		01
178	M83536/9-024		RELAY-RH T2 HEAT CURRENT SENSOR KZ072		01
179	M83536/9-024		RELAY-LH POWER RELAY DISCONNECT KZ073		01
180	M83536/9-024		RELAY-RH POWER RELAY DISCONNECT KZ074		01
181	M83536/9-024		RELAY-RH FADEC RESET RELAY KZ038	0894 0973	01
182	M83536/9-024		RELAY-LH FADEC RESET RELAY KZ047	0894 0973	01
183	450040150		HARDWARE PACKAGE	V58982	AR
184	1645-1-3		DETECTOR-OVERVOLTAGE MONITOR UZ003	V30242	01
			ATTACHING PARTS		
185	MS35206-244		SCREW		04
186	NAS1149FN832P		WASHER		04
			—*		
187	76505-5YD		RELAY-AUX BATTERY TIME DELAY RELAY KZ083 REFER TO NOTE 1	V2X920 0974	& ON 01 R
188	76505-5YD		RELAY-AUX BATTERY TIME DELAY RELAY KZ084 REFER TO NOTE 1	V2X920 0974	& ON 01 R
			ATTACHING PARTS		
- 189	MS35206-228		SCREW REFER TO NOTE 1		06 R
- 190	NAS1149FN632P		WASHER REFER TO NOTE 1		06 R
			—*		
191	6308240-4		CURRENT SENSOR-RH PT2/T2 HEAT UZ004		01
192	6308240-4		CURRENT SENSOR-LH PT2/T2 HEAT UZ005		01
			ATTACHING PARTS		
193	MS35206-328		SCREW		02
			—*		

NOTE 1—AIRPLANES -0974 AND ON AND AIRPLANES -0800 THRU 0973 INCORPORATING SB525-24-31.

R

CESSNA®  
MODEL 525 (SERIALS -0685 AND -0800 AND ON)  
ILLUSTRATED PARTS CATALOG

A89005



**DETAIL A**

POWER JUNCTION BOX ASSEMBLY  
FIGURE 02 (SHEET 4)

6310T1168  
A6318T1744



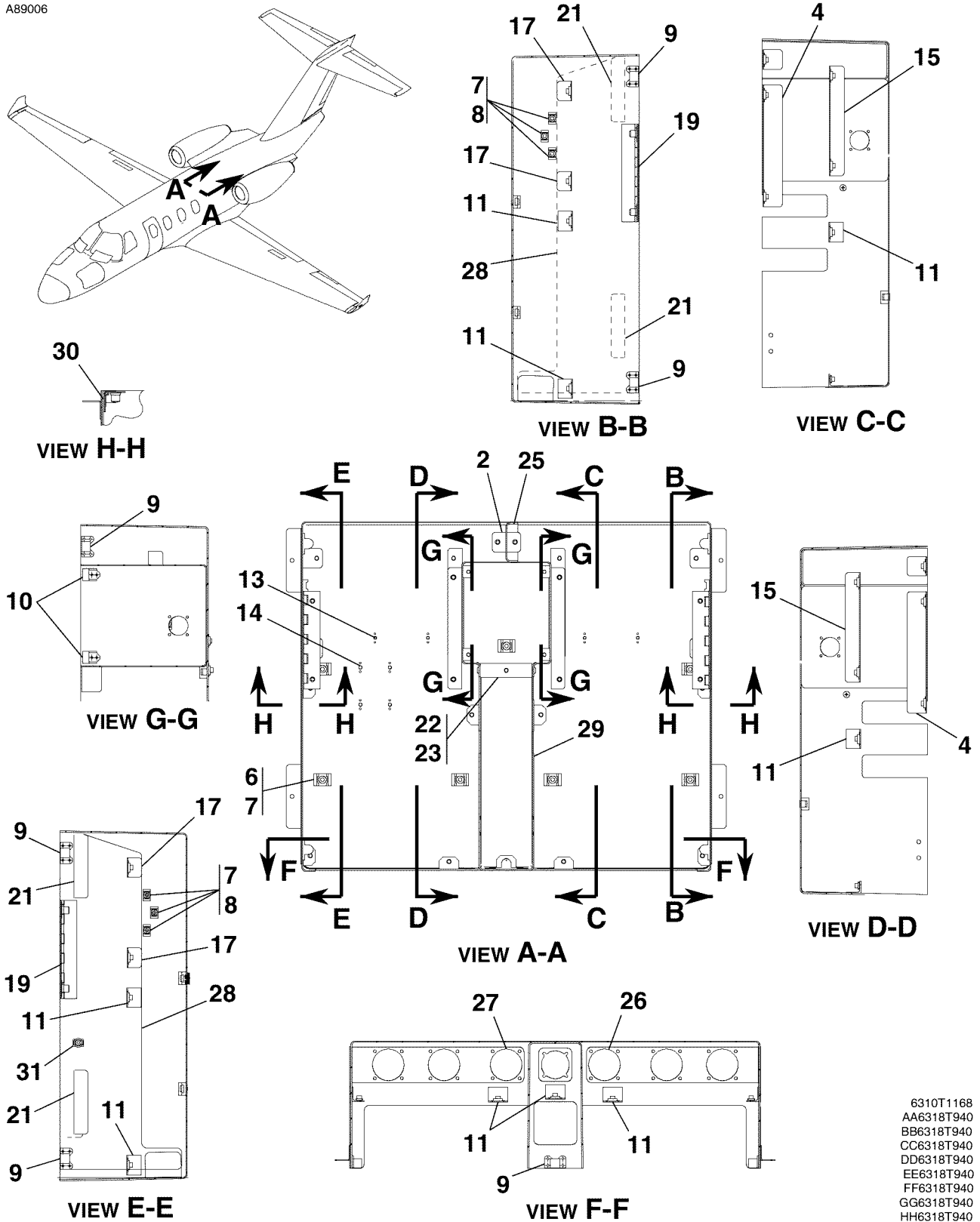
CESSNA®  
**MODEL 525 (SERIALS -0685 AND -0800 AND ON)**  
 ILLUSTRATED PARTS CATALOG

FIG ITEM	PART NUMBER	NOMENCLATURE	1 2 3 4 5 6 7							UNITS PER ASSY
02										
225	M85049/96-24	. MOUNTING FLANGE . . . . .								12
		ATTACHING PARTS								
226	MS35206-230	. SCREW . . . . .								02
227	NAS1149FN632P	. WASHER . . . . .								02
		—*—								
228	M85528/2-20-A	. MOUNTING FLANGE FSO M85049/95-20-A . . . . .								NP
- 228A	M85049/95-20-A	. MOUNTING FLANGE FOR SPARES ONLY . . . . .								01
		ATTACHING PARTS								
229	MS35206-216	. SCREW . . . . .								04
230	NAS1149FN416P	. WASHER . . . . .								04
		—*—								
231	M85528/2-14A	. MOUNTING FLANGE FSO M85049/95-14-A . . . . .						0800	0973	NP
- 231A	M85049/95-14-A	. MOUNTING FLANGE FOR SPARES ONLY . . . . .								02
- 231B	M85528/2-14-A	. MOUNTING FLANGE . . . . .						0974	& ON	02
		ATTACHING PARTS								
232	MS35206-216	. SCREW . . . . .								04
233	NAS1149FN416P	. WASHER . . . . .								04
		—*—								

- ITEM NOT ILLUSTRATED

CESSNA®  
**MODEL 525 (SERIALS -0685 AND -0800 AND ON)**  
 ILLUSTRATED PARTS CATALOG

A89006



POWER JUNCTION BOX STRUCTURE  
 FIGURE 03 (SHEET 1)

6310T1168  
 AA6318T940  
 BB6318T940  
 CC6318T940  
 DD6318T940  
 EE6318T940  
 FF6318T940  
 GG6318T940  
 HH6318T940

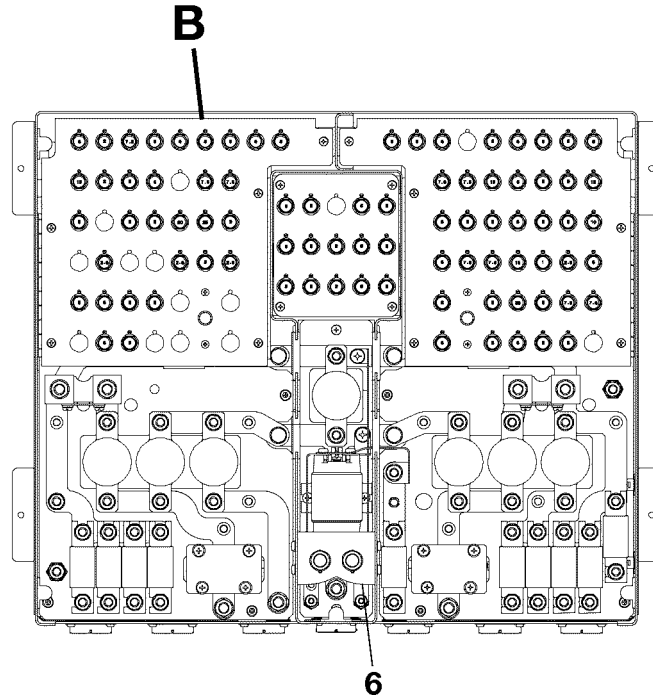
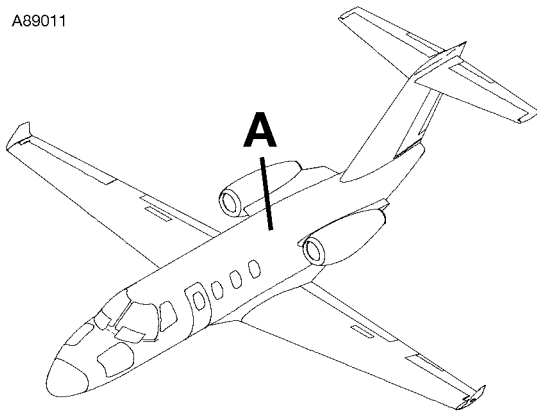
CESSNA®  
**MODEL 525 (SERIALS -0685 AND -0800 AND ON)**  
 ILLUSTRATED PARTS CATALOG

FIG ITEM	PART NUMBER	NOMENCLATURE	UNITS	
			PER	ASSY
03		POWER JUNCTION BOX STRUCTURE		RF
-				
- 1	6318940-1	. POWER JUNCTION BOX ASSY . . . . .	0800	0893 01
- 1A	6318962-27	. POWER JUNCTION BOX SUB-ASSY . . . . .	0894	0991 01 R
- 1B	6318940-1	. POWER JUNCTION BOX ASSY . . . . .	0992	& ON 01 R
2	6318940-15	. . . ANGLE ASSY . . . . .		02
- 3	MS21075L08N	. . . NUTPLATE . . . . .		01
4	6318940-17	. . . ANGLE ASSY . . . . .		02
- 5	MS21075L08N	. . . NUTPLATE . . . . .		02
6	S1741-5	. . . ANCHOR . . . . .		07
7	NAS1149FN816P	. . . WASHER . . . . .		15
8	S1741-1	. . . ANCHOR . . . . .		08
9	S3275D208	. . . RECEPTACLE . . . . .		05
10	NAS1033A08	. . . NUTPLATE . . . . .		04
11	6618350-17	. . . CLIP ASSY . . . . .		09
- 12	MS21075L08N	. . . NUTPLATE . . . . .		01
13	MS21075L06N	. . . NUTPLATE . . . . .		04
14	MS21075L08N	. . . NUTPLATE . . . . .		04
15	6318940-19	. . . ANGLE ASSY . . . . .		02
- 16	MS21075L08N	. . . NUTPLATE . . . . .		02
17	6318940-21	. . . ANGLE ASSY . . . . .		04
- 18	MS21075L08N	. . . NUTPLATE . . . . .		01
19	6318940-11	. . . HINGE ASSY . . . . .		02
- 20	NAS1474A08	. . . NUTPLATE . . . . .		02
21	6318940-27	. . . ANGLE MOUNT . . . . .		04
22	6518382-13	. . . MOUNT ASSY . . . . .		01
		ATTACHING PARTS		
23	MS35206-244	. . . SCREW . . . . .		02
		—*—		
- 24	MS21075L08N	. . . NUTPLATE . . . . .		03
25	6318940-14	. . . DIVIDER . . . . .		01
26	6318940-9	. . . DOUBLER-LH . . . . .		01
27	6318940-10	. . . DOUBLER-RH . . . . .		01
28	6318940-23	. . . DOUBLER . . . . .		02
29	6318940-3	. . . EMERGENCY BOX . . . . .		01
30	6318940-6	. . . SPACER . . . . .		02
31	S4145-1	. . . ANCHOR . . . . .	0894	& ON 01

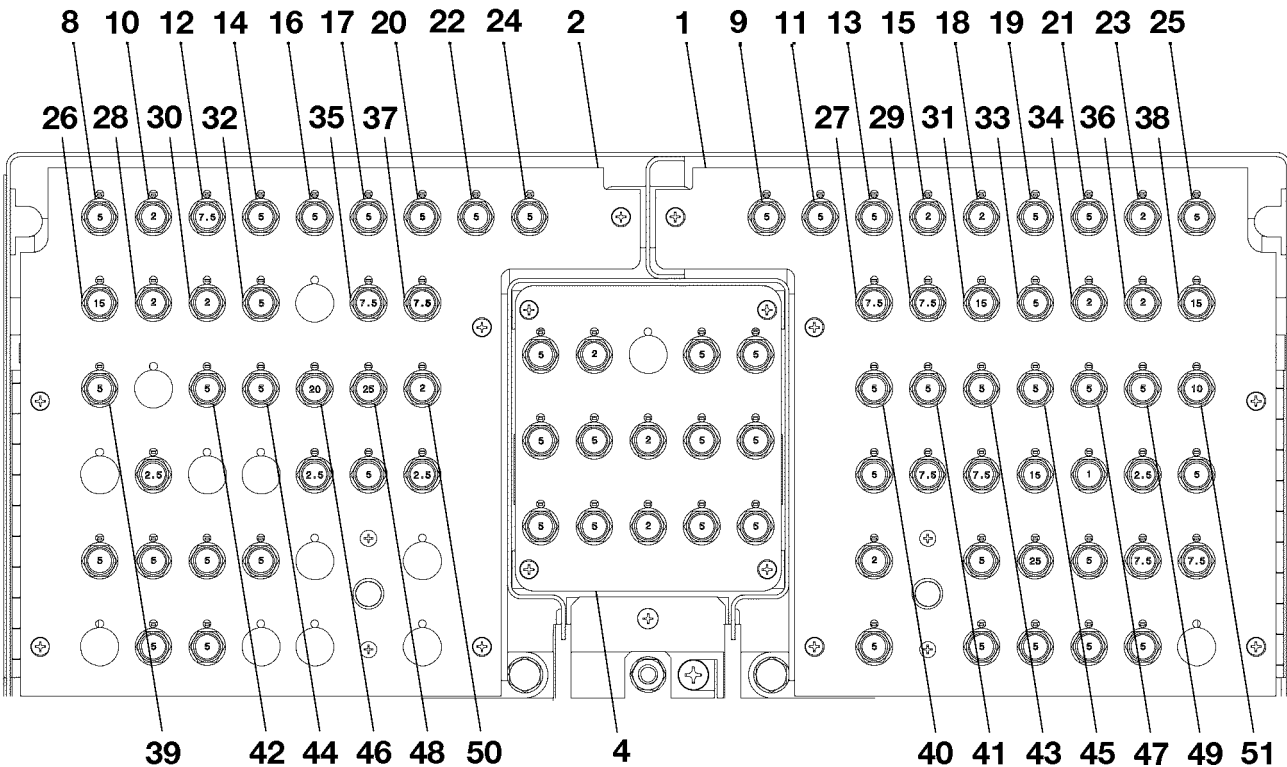
- ITEM NOT ILLUSTRATED

CESSNA®  
**MODEL 525 (SERIALS -0685 AND -0800 AND ON)**  
 ILLUSTRATED PARTS CATALOG

A89011



**DETAIL A**



**DETAIL B**

POWER JUNCTION BOX CIRCUIT BREAKERS  
 FIGURE 04 (SHEET 1)

6310T1168  
 A6318T1884  
 B6318T1884

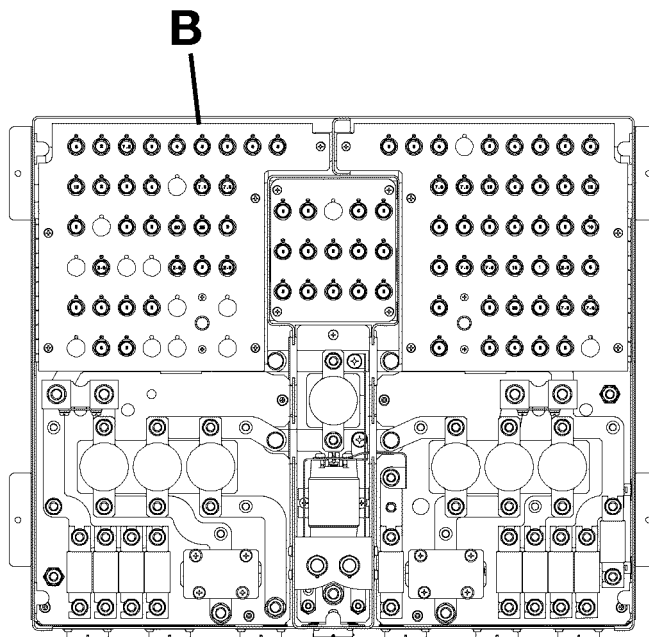
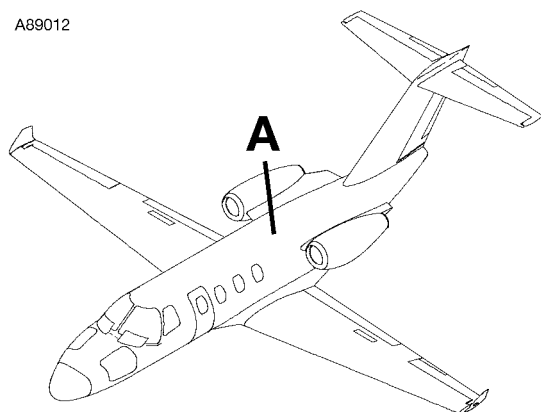
CESSNA®  
**MODEL 525 (SERIALS -0685 AND -0800 AND ON)**  
 ILLUSTRATED PARTS CATALOG

FIG ITEM	PART NUMBER	NOMENCLATURE	UNITS PER ASSY		
	1 2 3 4 5 6 7				
04		POWER JUNCTION BOX CIRCUIT BREAKERS			RF
-					
1	6318962-11	. CIRCUIT BREAKER PANEL ASSY-LH . . . . .	0800	0991	01 R
- 1A	6318939-5	. CIRCUIT BREAKER PANEL ASSY-LH . . . . .	0992	& ON	01 R
2	6318962-12	. CIRCUIT BREAKER PANEL ASSY-RH . . . . .	0800	0991	01 R
- 2A	6318939-6	. CIRCUIT BREAKER PANEL ASSY-RH . . . . .	0992	& ON	01 R
- 3	S3529-1B1	. ANCHOR ASSY . . . . .			05
4	6318939-2	. CIRCUIT BREAKER PANEL ASSY-CENTER . . . . .			01
- 5	S3275E202	. RECEPTACLE . . . . .			01
6	6318939-11	. CIRCUIT BREAKER PANEL ASSY-ELECTRICAL/AVIONICS . . . . .			01
- 7	MS21075L08N	. NUTPLATE . . . . .			04
8	S2899A5.0	. CIRCUIT BREAKER-RH LIMITER HZ050 . . . . .			01
9	S2899-5.0	. CIRCUIT BREAKER-LH ENG PT2/TT2 HTR HZ051 . . . . .			01
10	S2899-2.0	. CIRCUIT BREAKER-RH BUS SENSE HZ052 . . . . .			01
11	S2899-5.0	. CIRCUIT BREAKER-LH WING ANTI-ICE VALVE HZ053 . . . . .			01
12	S2899-7.5	. CIRCUIT BREAKER-ANTI-COLLISION LIGHT HZ054 . . . . .			01
13	S2899-5.0	. CIRCUIT BREAKER-MAX COOL SOLENOID HZ055 . . . . .			01
14	S2899-5.0	. CIRCUIT BREAKER-RH LANDING/RECOGNITION LIGHT HZ056 . . . . .			01
15	S2899-2.0	. CIRCUIT BREAKER-LH GENERATOR ANNUNCIATOR HZ057 . . . . .			01
16	S2899-5.0	. CIRCUIT BREAKER-NAV LIGHTS HZ058 . . . . .			01
17	S2899-5.0	. CIRCUIT BREAKER-GROUND RECOG BEACON HZ060 . . . . .			01
18	S2899-2.0	. CIRCUIT BREAKER-START LIGHTS HZ059 . . . . .			01
19	S2899-5.0	. CIRCUIT BREAKER-LH LANDING/RECOGNITION LIGHT HZ061 . . . . .			01
20	S2899-5.0	. CIRCUIT BREAKER-TAIL FLOOD LIGHTS HZ062 . . . . .			01
21	S2899-5.0	. CIRCUIT BREAKER-OXYGEN/SEAT BELT LIGHT HZ063 . . . . .			01
22	S2899-5.0	. CIRCUIT BREAKER-RH WING ANTI-ICE VALVE HZ064 . . . . .			01
23	S2899-2.0	. CIRCUIT BREAKER-LH BUS SENSE HZ065 . . . . .			01
24	S2899-5.0	. CIRCUIT BREAKER-RH ENG PT2/TT2 HTR HZ066 . . . . .			01
25	S2899A5.0	. CIRCUIT BREAKER-LH LIMITER HZ067 . . . . .			01
26	S2899-15.0	. CIRCUIT BREAKER-RH GENERATOR HZ068 . . . . .			01
27	S2899-7.5	. CIRCUIT BREAKER-RH CHANNEL B FADEC HZ069 . . . . .			01
28	S2899-2.0	. CIRCUIT BREAKER-LH GENERATOR SENSE HZ070 . . . . .			01
29	S2899-7.5	. CIRCUIT BREAKER-LH CHANNEL A FADEC HZ071 . . . . .			01
30	S2899-2.0	. CIRCUIT BREAKER-RH VOLTMETER HZ072 . . . . .			01
31	S2899-15.0	. CIRCUIT BREAKER-ENTERTAINMENT CENTER HZ073 . . . . .			01
32	S2899A5.0	. CIRCUIT BREAKER-RH START CONTROL PCB HZ074 . . . . .			01
33	S2899A5.0	. CIRCUIT BREAKER-LH START CONTROL PCB HZ075 . . . . .			01
34	S2899-2.0	. CIRCUIT BREAKER-LH VOLTMETER HZ077 . . . . .			01
35	S2899-7.5	. CIRCUIT BREAKER-RH CHANNEL A FADEC HZ078 . . . . .			01
36	S2899-2.0	. CIRCUIT BREAKER-LH GENERATOR SENSE HZ079 . . . . .			01
37	S2899-7.5	. CIRCUIT BREAKER-LH CHANNEL B FADEC HZ080 . . . . .			01
38	S2899-15.0	. CIRCUIT BREAKER-LH GENERATOR HZ081 . . . . .			01
39	S2899-5.0	. CIRCUIT BREAKER-PCB DIAGNOSTICS HZ082 . . . . .			01
40	S2899-5.0	. CIRCUIT BREAKER-CABIN DISPLAY HZ083 . . . . .			01
41	S2899-5.0	. CIRCUIT BREAKER-HF HZ085 . . . . .			01
42	S2899-5.0	. CIRCUIT BREAKER-BAGGAGE SMOKE DETECTOR HZ086 . . . . .			01
43	S2899-5.0	. CIRCUIT BREAKER-DME 2 HZ087 . . . . .			01
44	S2899-5.0	. CIRCUIT BREAKER-WING INSPECTION LIGHT HZ088 . . . . .			01
45	S2899-5.0	. CIRCUIT BREAKER-STORMSCOPE HZ089 . . . . .			01
46	S2899-20.0	. CIRCUIT BREAKER-A/C CONDENSER HZ090 . . . . .			01
47	S2899-5.0	. CIRCUIT BREAKER-IRIDIUM PHONE 1 HZ091 . . . . .			01
48	S2899-25.0	. CIRCUIT BREAKER-HF FREQUENCY RADIO HZ092 . . . . .			01
49	S2899-5.0	. CIRCUIT BREAKER-IRIDIUM PHONE 2 HZ093 . . . . .			01
50	S2899-2.0	. CIRCUIT BREAKER-RH GENERATOR ANNUNCIATOR HZ094 . . . . .			01
51	S2899-10.0	. CIRCUIT BREAKER-VHF DATALINK HZ095 . . . . .			01

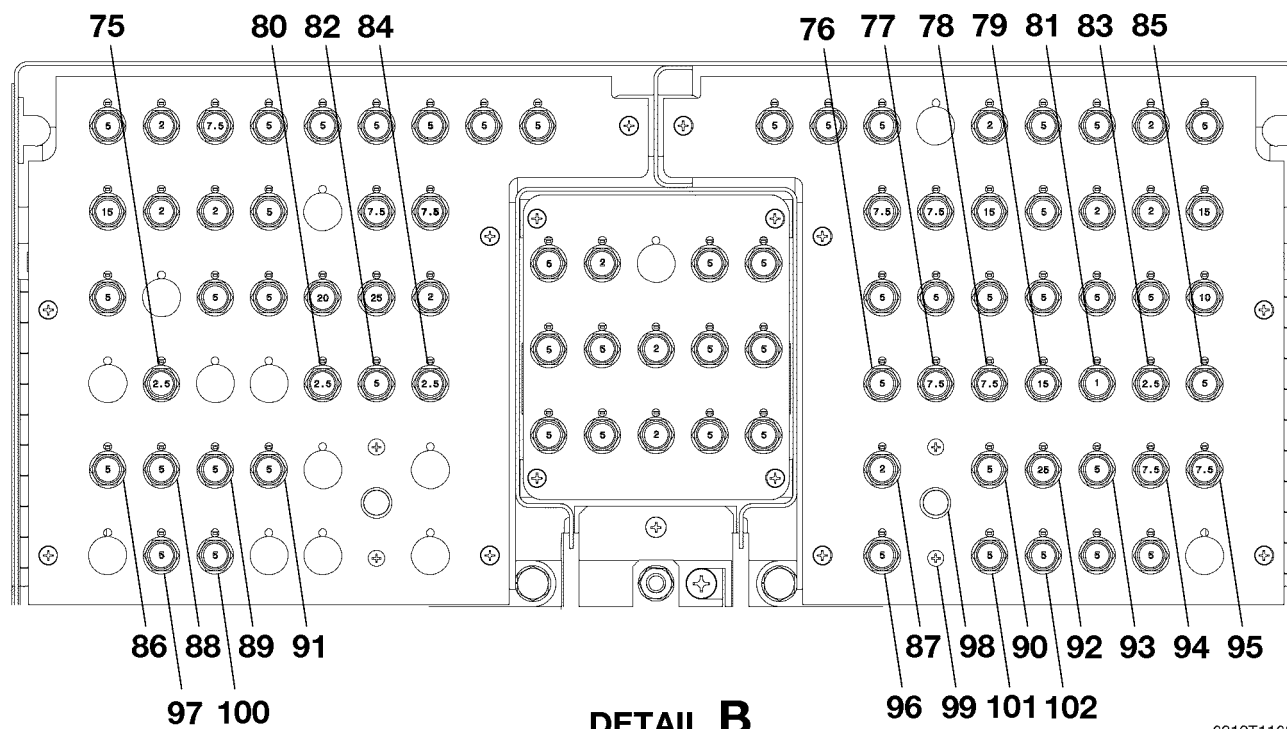
- ITEM NOT ILLUSTRATED

CESSNA®  
**MODEL 525 (SERIALS -0685 AND -0800 AND ON)**  
 ILLUSTRATED PARTS CATALOG

A89012



**DETAIL A**



6310T1168  
 A6318T1884  
 B6318T1884

POWER JUNCTION BOX CIRCUIT BREAKERS  
 FIGURE 04 (SHEET 2)

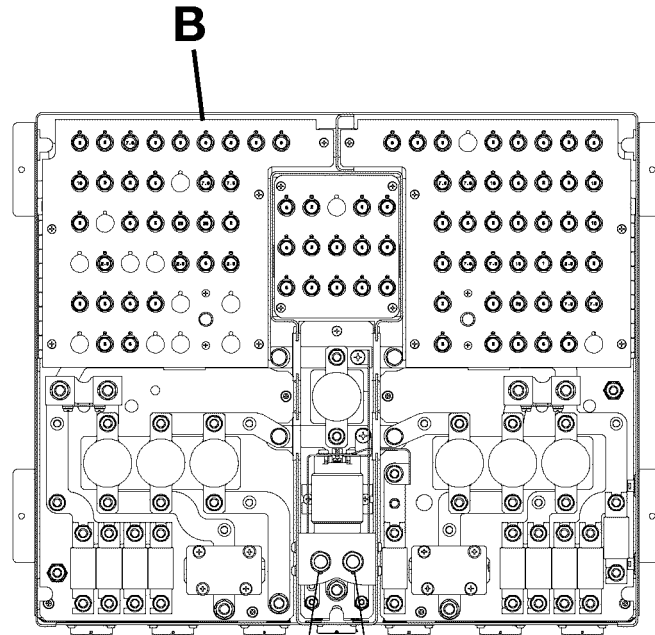
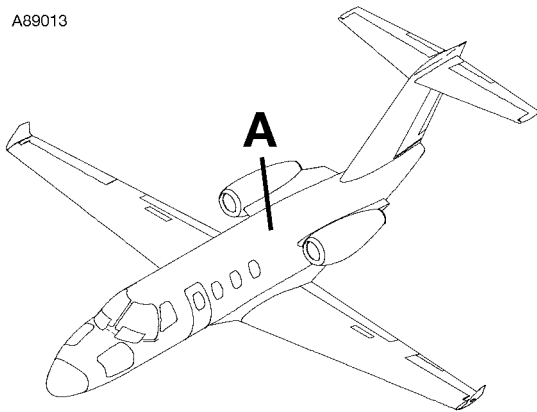
CESSNA®  
**MODEL 525 (SERIALS -0685 AND -0800 AND ON)**  
 ILLUSTRATED PARTS CATALOG

FIG ITEM	PART NUMBER	NOMENCLATURE	UNITS	
			PER	ASSY
04				
75	S2899-2.5	. CIRCUIT BREAKER-FDR RH BUS LIMIT MONITOR HZ098 . . . . .		01
76	S2899-2.0	. CIRCUIT BREAKER-USB POWER HZ097 . . . . .		01
77	S2899-7.5	. CIRCUIT BREAKER-TOILET/DRAIN HTR HZ099 . . . . .		01
78	S2899-7.5	. CIRCUIT BREAKER-CABIN LIGHTS HZ101 . . . . .		01
79	S2899-15.0	. CIRCUIT BREAKER-INDIRECT LIGHTS HZ103 . . . . .		01
80	S2899-2.5	. CIRCUIT BREAKER-STANDARD POWER RELAY (EMER LIGHTS) HZ104 . . . . .		01
81	S2899-1.0	. CIRCUIT BREAKER-AC INVERTER HZ105 . . . . .	0800	0992 01 R
- 81A	S3478-1	. CIRCUIT BREAKER BLOCK ASSY-SPARE HZ105 . . . . .	0993	& ON 01 R
82	S2899-5.0	. CIRCUIT BREAKER-ELT HZ106 . . . . .		01
83	S2899-2.5	. CIRCUIT BREAKER-FDR LH BUS LIMIT MONITOR HZ107 . . . . .		01
84	S2899-2.5	. CIRCUIT BREAKER-EMER PWR RELAY HZ108 . . . . .		01
85	S2899-5.0	. CIRCUIT BREAKER-INTERIOR MASTER RELAY HZ109 . . . . .		01
86	S2899-5.0	. CIRCUIT BREAKER-DISPATCH 1 HZ110 . . . . .		01
87	S2899-2.0	. CIRCUIT BREAKER-AUX BATTERY VOLTAGE MONITOR HZ111 . . . . .		01
88	S2899-5.0	. CIRCUIT BREAKER-DISPATCH 2 HZ112 . . . . .		01
89	S2899-5.0	. CIRCUIT BREAKER-DISPATCH 3 HZ114 . . . . .		01
90	S2899-5.0	. CIRCUIT BREAKER-DOPPED AISLE LIGHTS HZ115 . . . . .		01
91	S2899-5.0	. CIRCUIT BREAKER-DISPATCH 4 HZ116 . . . . .		01
92	S2899-25.0	. CIRCUIT BREAKER-REFRESHMENT CENTER HZ117 . . . . .		01
93	S2899-5.0	. CIRCUIT BREAKER-CABIN CORDLESS PHONE OPT HZ119 . . . . .		01
94	S2899-7.5	. CIRCUIT BREAKER-AIR-TO-GROUND INTERNET OPT HZ121 . . . . .		01
95	S2899-7.5	. CIRCUIT BREAKER-INMARSAT SATELLITE INTERNET OPT HZ123 . . . . .		01
96	S2899-5.0	. CIRCUIT BREAKER-XM DATALINK HZ125 . . . . .		01
97	S2899-5.0	. CIRCUIT BREAKER-EXTERNAL POWER RELAY HZ126 . . . . .		01
98	160-012-100	. CIRCUIT BREAKER-A/C WINDSHIELD LH HZ127 . . . . . V76374		01
		ATTACHING PARTS		
99	NAS601-5	. SCREW . . . . .		02
		—*—		
100	S2899-5.0	. CIRCUIT BREAKER-RH START RELAY HZ128 . . . . .		01
101	S2899-5.0	. CIRCUIT BREAKER-CABIN BRIEFER HZ129 . . . . .		01
102	S2899-5.0	. CIRCUIT BREAKER-ADF 1 HZ131 . . . . .		01

- ITEM NOT ILLUSTRATED

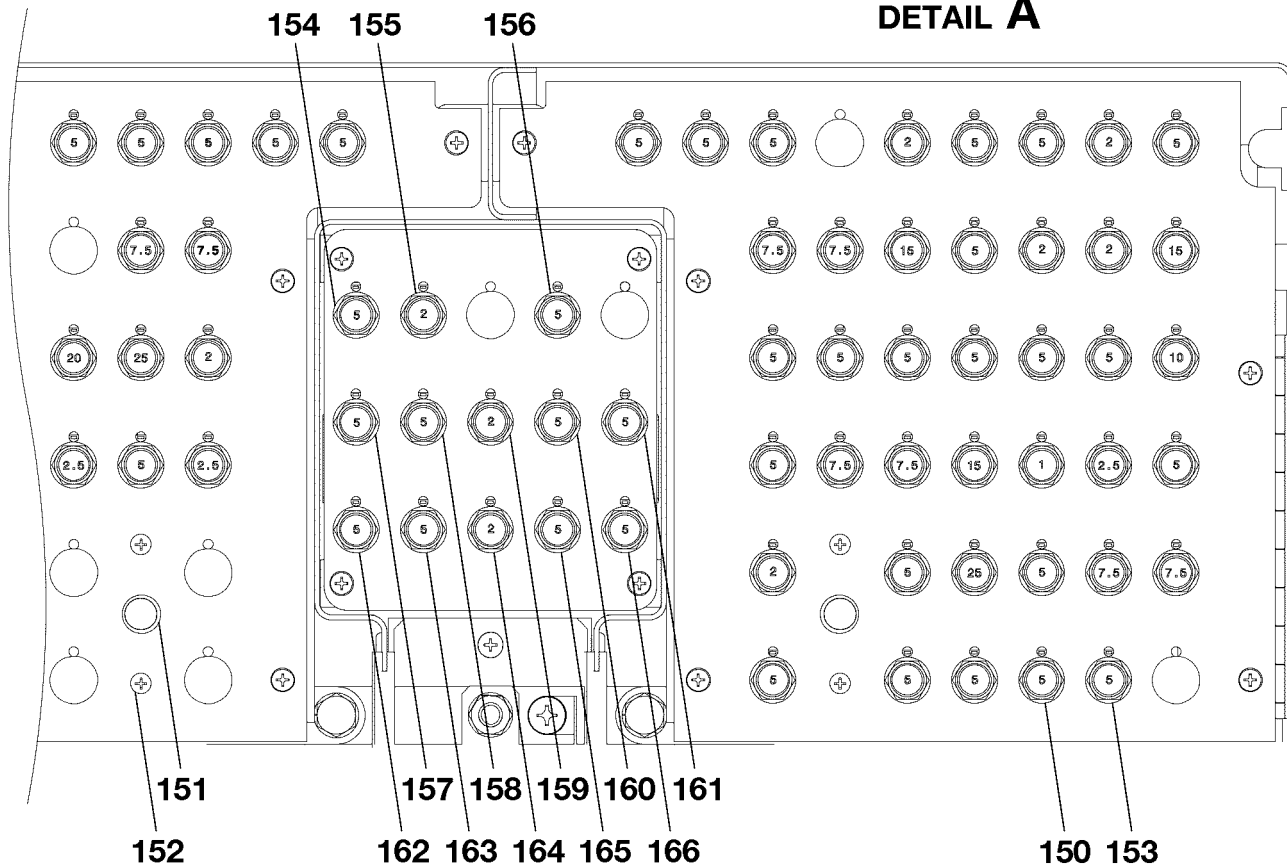
CESSNA®  
**MODEL 525 (SERIALS -0685 AND -0800 AND ON)**  
 ILLUSTRATED PARTS CATALOG

A89013



168 167

**DETAIL A**



**DETAIL B**

POWER JUNCTION BOX CIRCUIT BREAKERS  
 FIGURE 04 (SHEET 3)

6310T1168  
 A6318T1884  
 B6318T1884



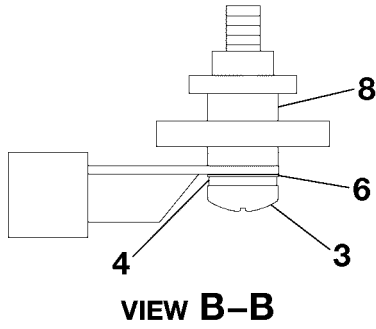
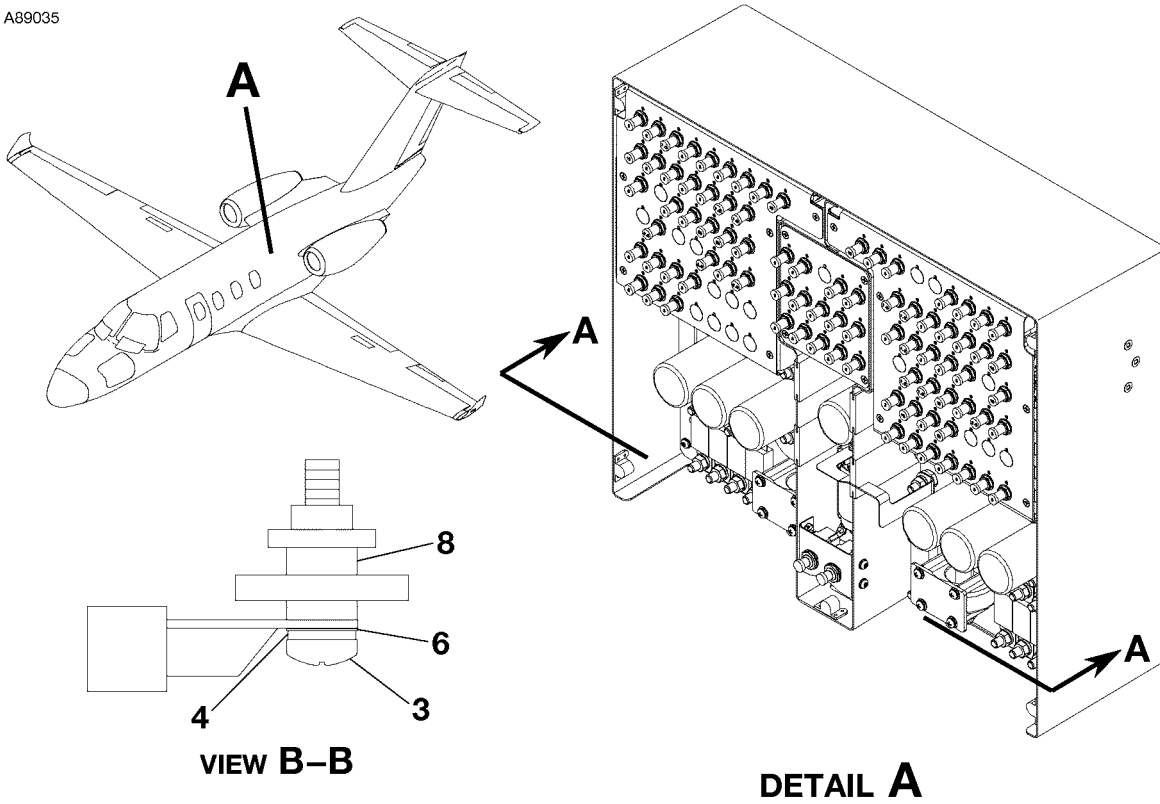
CESSNA®  
**MODEL 525 (SERIALS -0685 AND -0800 AND ON)**  
 ILLUSTRATED PARTS CATALOG

FIG ITEM	PART NUMBER	NOMENCLATURE	UNITS	
			PER	ASSY
04				
150	S2899-5.0	. CIRCUIT BREAKER-LH START RELAY HZ133 . . . . .		01
151	160-012-100	. CIRCUIT BREAKER-A/C WINDSHIELD RH HZ134 . . . . . V76374		01
		ATTACHING PARTS		
152	NAS601-5	. SCREW . . . . .		02
		—*		
153	S2899-5.0	. CIRCUIT BREAKER-BATTERY RELAY HZ135 . . . . .		01
154	S2899A5.0	. CIRCUIT BREAKER-LH START CONTROL PCB HZ138 . . . . .		01
155	S2899-2.0	. CIRCUIT BREAKER-BATTERY VOLTAGE HZ139 . . . . .		01
156	S2899-5.0	. CIRCUIT BREAKER-EMER LIGHTS 2 HZ141 . . . . .		01
157	S2899-5.0	. CIRCUIT BREAKER-RH START CONTROL PCB HZ143 . . . . .	0800	0973
- 157A	S2899A5.0	. CIRCUIT BREAKER-RH START CONTROL PCB HZ143 . . . . .	0974	& ON
158	S2899-5.0	. CIRCUIT BREAKER-ELT REMOTE SWITCH HZ144 . . . . .		01
159	S2899-2.0	. CIRCUIT BREAKER-AFT/FWD COMP LIGHTS HZ145 . . . . .		01
160	S2899-5.0	. CIRCUIT BREAKER-BATTERY DISC RELAY HZ146 . . . . .		01
161	S2899-5.0	. CIRCUIT BREAKER-COCKPIT VOICE RECORDER HZ147 . . . . .		01
162	S2899-5.0	. CIRCUIT BREAKER-RH WING ANTI-ICE RELAY HZ148 . . . . .		01
163	S2899-5.0	. CIRCUIT BREAKER-LH WING ANTI-ICE RELAY HZ149 . . . . .		01
164	S2899-2.0	. CIRCUIT BREAKER-EMER IMPACT SWITCH RESET HZ150 . . . . .		01
165	S2899-5.0	. CIRCUIT BREAKER-EMER LIGHTS 1 HZ151 . . . . .		01
166	S2899-5.0	. CIRCUIT BREAKER-FLIGHT DATA RECORDER HZ152 . . . . .		01
167	S3189-30A	. CIRCUIT BREAKER-LH EMER POWER HZ153 . . . . .		01
168	S3189-20A	. CIRCUIT BREAKER-RH EMER POWER HZ154 . . . . .		01
- 169	10237-2	. CIRCUIT BREAKER-LOCK OUT . . . . . V0CUF4		AR
- 170	CM2692-15-1S	. PLUG BUTTON . . . . .		AR

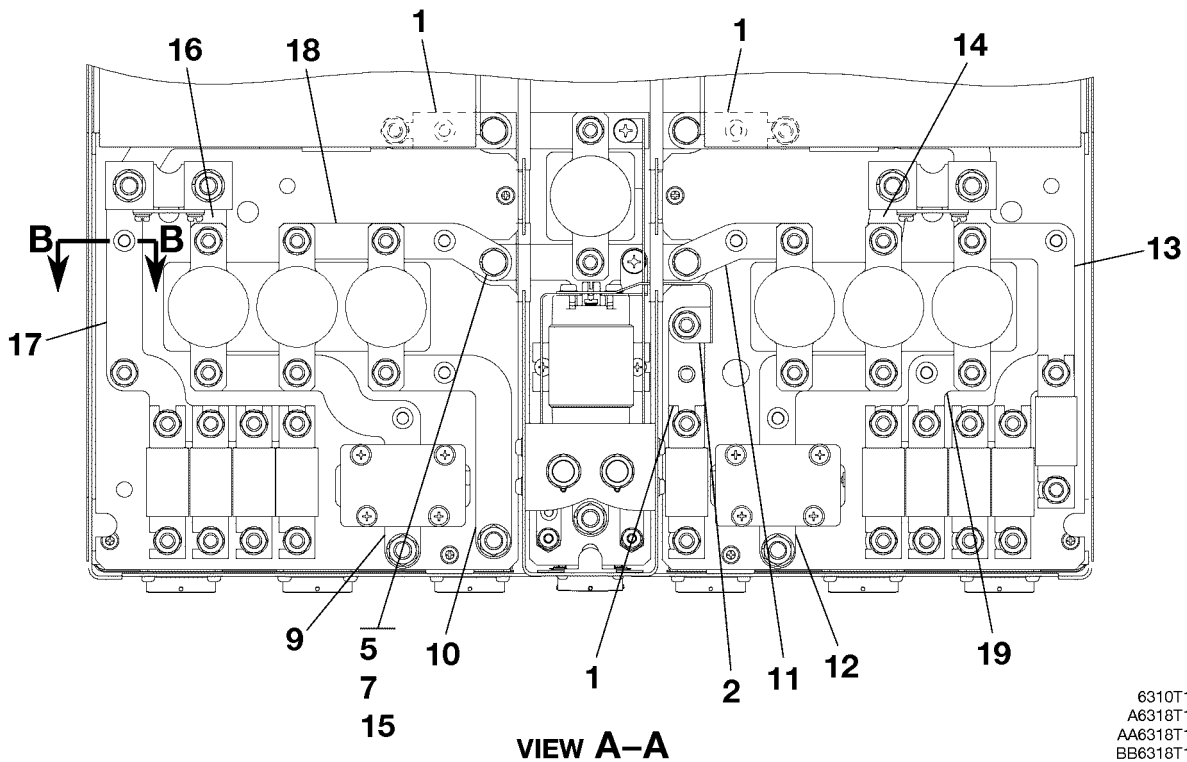
- ITEM NOT ILLUSTRATED

CESSNA®  
**MODEL 525 (SERIALS -0685 AND -0800 AND ON)**  
 ILLUSTRATED PARTS CATALOG

A89035



**DETAIL A**



**VIEW A-A**  
 POWER JUNCTION BOX BUS BARS  
 FIGURE 05 (SHEET 1)

6310T1168  
 A6318T1883  
 AA6318T1883  
 BB6318T1883

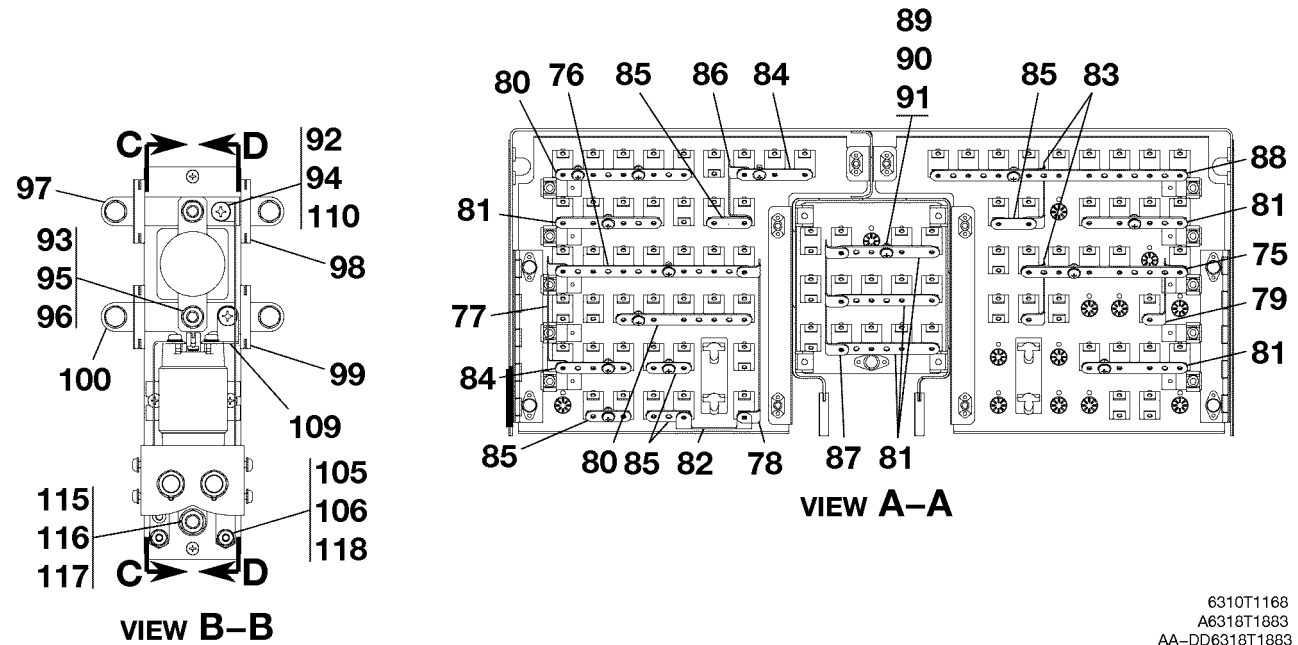
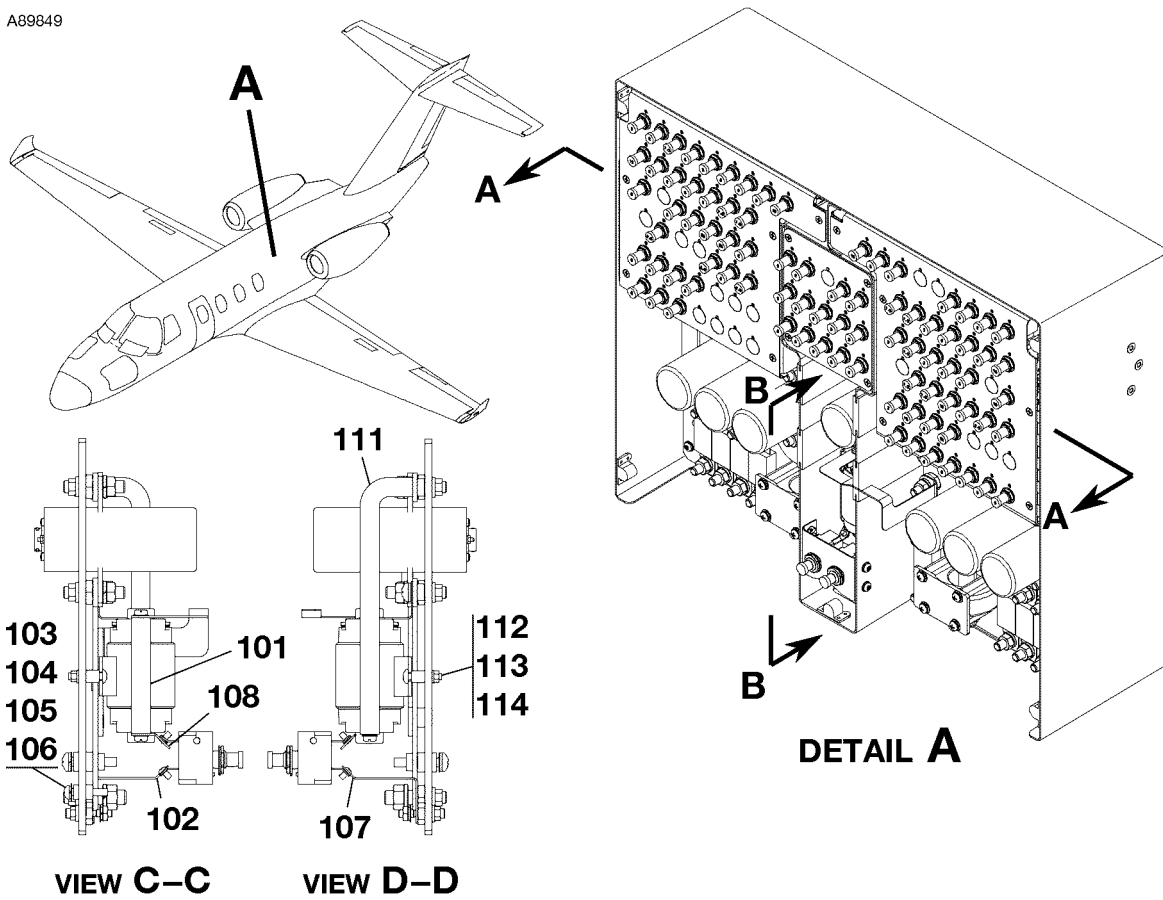
CESSNA®  
**MODEL 525 (SERIALS -0685 AND -0800 AND ON)**  
 ILLUSTRATED PARTS CATALOG

FIG ITEM	PART NUMBER	NOMENCLATURE	UNITS
			PER ASSY
05		POWER JUNCTION BOX BUS BARS	RF
-			
1	6518383-42	. BUS BAR ASSY-HZ006 AND HZ009 . . . . .	03
2	6318962-9	. BUS BAR-HZ009 . . . . .	01
3	MS35207-284	. SCREW . . . . .	11
4	MS35338-44	. WASHER-LOCK, SPRING . . . . .	11
5	MS35338-45	. WASHER-LOCK, SPRING . . . . .	04
6	NAS1149F0416P	. WASHER . . . . .	11
7	NAS1149F0516P	. WASHER . . . . .	04
8	6718434-20	. SPACER . . . . .	11
9	6318923-12	. BUS BAR ASSY-HZ011 . . . . .	01
10	6318923-10	. BUS BAR ASSY-HZ001 . . . . .	01
11	6318923-7	. BUS BAR ASSY-HZ008 . . . . .	01
12	6318923-5	. BUS BAR ASSY-HZ002 . . . . .	01
13	6318923-1	. BUS BAR ASSY-HZ004 . . . . .	01
14	6318923-9	. BUS BAR-HZ003 . . . . .	01
15	AN5-5A	. BOLT . . . . .	04
16	6318923-16	. BUS BAR-HZ013 . . . . .	01
17	6518383-37	. BUS BAR ASSY-HZ014 . . . . .	01
18	6318923-14	. BUS BAR ASSY-HZ008 . . . . .	01
19	6318923-3	. BUS BAR ASSY-HZ007 . . . . .	01

- ITEM NOT ILLUSTRATED

CESSNA®  
**MODEL 525 (SERIALS -0685 AND -0800 AND ON)**  
 ILLUSTRATED PARTS CATALOG

A89849



POWER JUNCTION BOX BUS BARS  
 FIGURE 05 (SHEET 2)

6310T1168  
 A6318T1883  
 AA-DD6318T1883

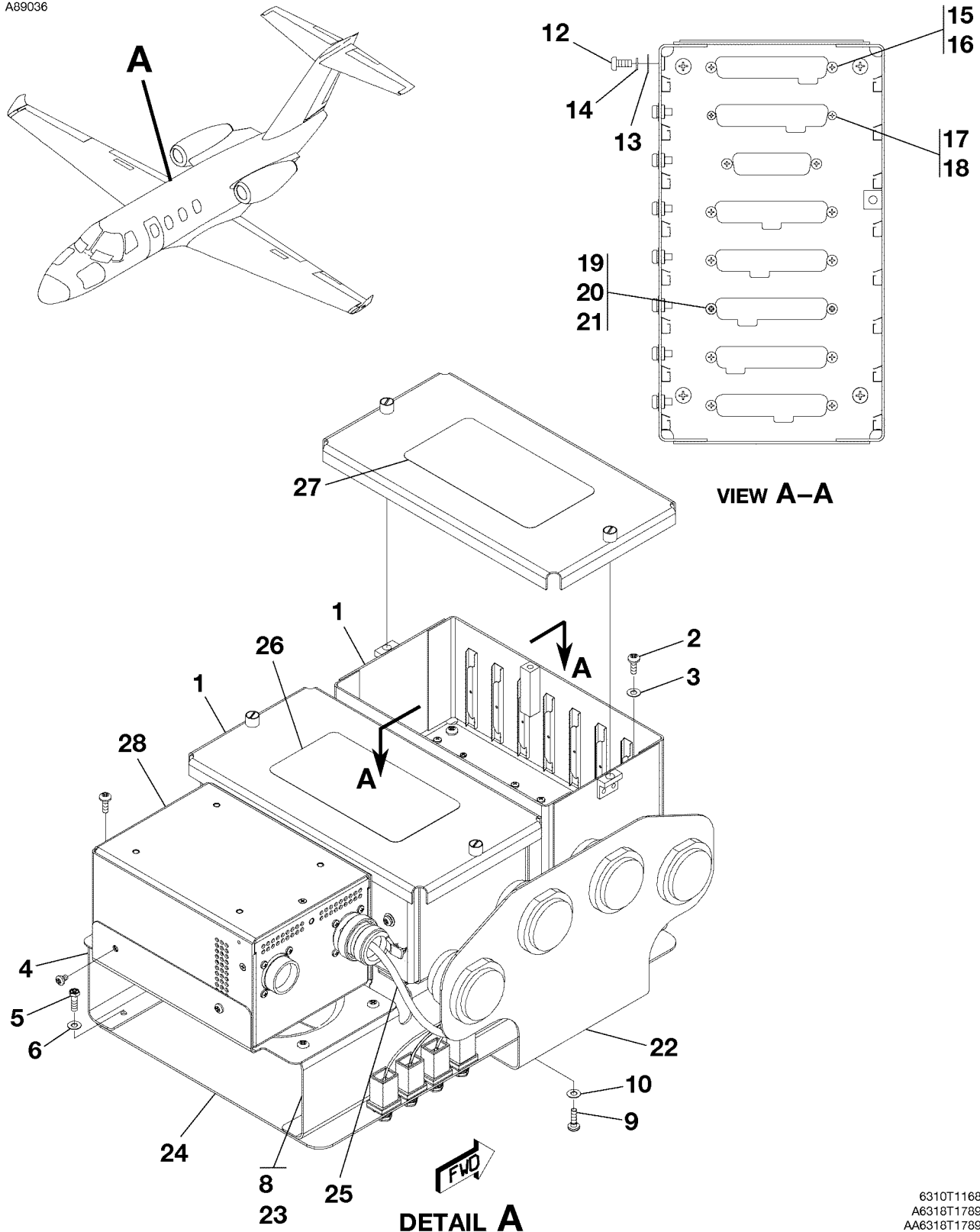
CESSNA®  
**MODEL 525 (SERIALS -0685 AND -0800 AND ON)**  
 ILLUSTRATED PARTS CATALOG

FIG ITEM	PART NUMBER	NOMENCLATURE	UNITS	
			PER	ASSY
05				
75	S4014-5	. BUS BAR-HZ038 . . . . .		01
76	S4014-6	. BUS BAR-HZ037 . . . . .		01
77	S4015-1RNR	. BUS BAR-HZ037 . . . . .		01
78	S4015-1LNNL	. BUS BAR-HZ037 . . . . .		01
79	S4015-1RL	. BUS BAR-HZ038 . . . . .		01
80	S4014-4	. BUS BAR . . . . .		02
81	S4014-3	. BUS BAR . . . . .		06
82	S4013-1	. BUS BAR-HZ037 . . . . .		01
83	S4015-1LL	. BUS BAR . . . . .		02
84	S4014-2	. BUS BAR . . . . .		02
85	S4014-1	. BUS BAR . . . . .		05
86	S4015-1RR	. BUS BAR-HZ035 . . . . .		01
87	S4015-1RRR	. BUS BAR-HZ012 . . . . .	0800	0893 01 R
- 87A	S4015-1LLL	. BUS BAR-HZ012 . . . . .	0894	& ON 01 R
88	S4014-8	. BUS BAR-HZ036 . . . . .		01
89	NAS602-6	. SCREW . . . . .		AR
90	NAS1149FN816P	. WASHER . . . . .		AR
91	MS21042L08	. NUT . . . . .		AR
92	MS35338-44	. WASHER-LOCK, SPRING . . . . .		02
93	MS35338-45	. WASHER-LOCK, SPRING . . . . .		02
94	NAS1149F0416P	. WASHER . . . . .		02
95	NAS1149F0516P	. WASHER . . . . .		02
96	AN315-5R	. NUT . . . . .		02
97	6318923-17	. BUS BAR ASSY-HZ006 . . . . .		01
98	6518383-30	. SEAL . . . . .		03
99	6318962-10	. SEAL . . . . .		01
100	6318923-19	. BUS BAR ASSY-HZ008 . . . . .		01
101	6318962-7	. BUS BAR-HZ019 . . . . .		01
102	6318923-21	. BUS BAR ASSY-HZ018 . . . . .		01
103	MS35207-267	. SCREW . . . . .		01
104	6318923-23	. SPACER . . . . .		01
105	MS35338-43	. WASHER-LOCK, SPRING . . . . .		03
106	NAS1149F0316P	. WASHER . . . . .		03
107	6318923-25	. BUS BAR-HZ017 . . . . .		01
108	6318923-24	. BUS BAR-HZ019 . . . . .		01
109	6318962-8	. BUS BAR-HZ008 . . . . .		01
110	MS35207-280	. SCREW . . . . .		02
111	6518383-59	. BUS BAR-HZ006 . . . . .		01
112	MS35207-266	. SCREW . . . . .		02
113	NAS43DD3-23FC	. SPACER . . . . .		02
114	MS21042-3	. NUT . . . . .		02
115	MS35338-46	. WASHER-LOCK, SPRING . . . . .		01
116	NAS1149F0616P	. WASHER . . . . .		01
117	AN315-6R	. NUT . . . . .		01
118	AN316-3R	. NUT . . . . .		02

- ITEM NOT ILLUSTRATED

CESSNA®  
**MODEL 525 (SERIALS -0685 AND -0800 AND ON)**  
 ILLUSTRATED PARTS CATALOG

A89036



PRINTED CIRCUIT BOARD ENCLOSURE INSTALLATION  
 FIGURE 01 (SHEET 1)

6310T1168  
 A6318T1789  
 AA6318T1789

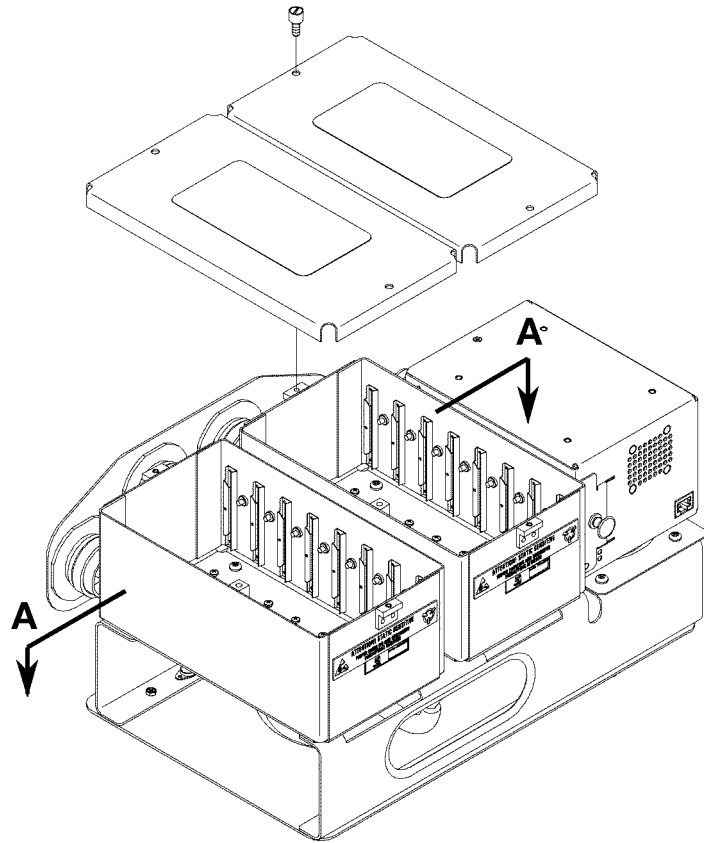
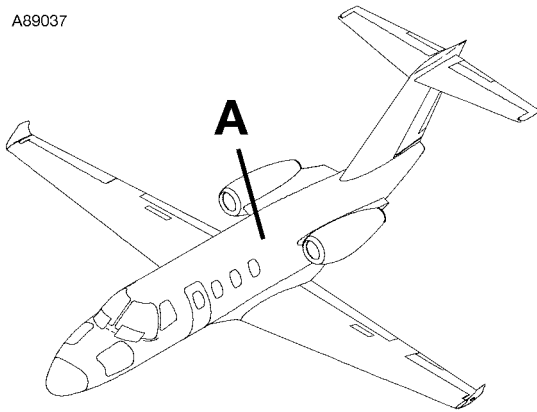
CESSNA®  
**MODEL 525 (SERIALS -0685 AND -0800 AND ON)**  
 ILLUSTRATED PARTS CATALOG

FIG ITEM	PART NUMBER	NOMENCLATURE	UNITS
			PER ASSY
		1 2 3 4 5 6 7	
01		PRINTED CIRCUIT BOARD ENCLOSURE INSTALLATION	RF
-		. ENCLOSURE ASSY . . . . .	02
1	9912762-4	. ATTACHING PARTS	
2	MS35206-244	. SCREW . . . . .	04
3	NAS1149FN816P	. WASHER . . . . .	04
		—*—	
4	6318829-10	. BRACKET ASSY . . . . .	01
		. ATTACHING PARTS	
5	NAS1801-08-8	. SCREW . . . . .	04
6	NAS1149FN816P	. WASHER . . . . .	04
		—*—	
- 7	MS21075-08	. . NUTPLATE . . . . .	06
8	6318829-11	. BRACKET ASSY . . . . .	01
		. ATTACHING PARTS	
9	MS27039-0808	. SCREW . . . . .	04
10	NAS1149FN816P	. WASHER . . . . .	04
		—*—	
- 11	MS21075-08	. . NUTPLATE . . . . .	06
12	MS35206-227	. SCREW . . . . .	16
13	NAS1149FN616P	. WASHER . . . . .	16
14	MS35338-41	. LOCK WASHER . . . . .	16
15	MS35206-214	. SCREW . . . . .	26
16	MS21042-04	. NUT . . . . .	26
17	MS35206-205	. SCREW . . . . .	04
18	MS21042L02	. NUT . . . . .	04
19	6518326-3	. PLATE ASSY . . . . .	01
20	MS35206-214	. SCREW . . . . .	02
21	MS35338-40	. LOCK WASHER . . . . .	02
22	6318829-23	. CONNECTOR BRACKET . . . . .	01
23	S1050-2	. GROMMET-BKI . . . . .	AR
24	6318829-26	. PALLET . . . . .	01
25	6308216-1	. WIRE BUNDLE ASSY-PCB AND ARES . . . . .	01
26	6318829-19	. PLACARD-AFT . . . . .	01
27	6318829-25	. PLACARD-FWD . . . . .	01
28		. ARES RECORDER-REFER TO 31-30-01 FIGURE 01 . . . . .	RF

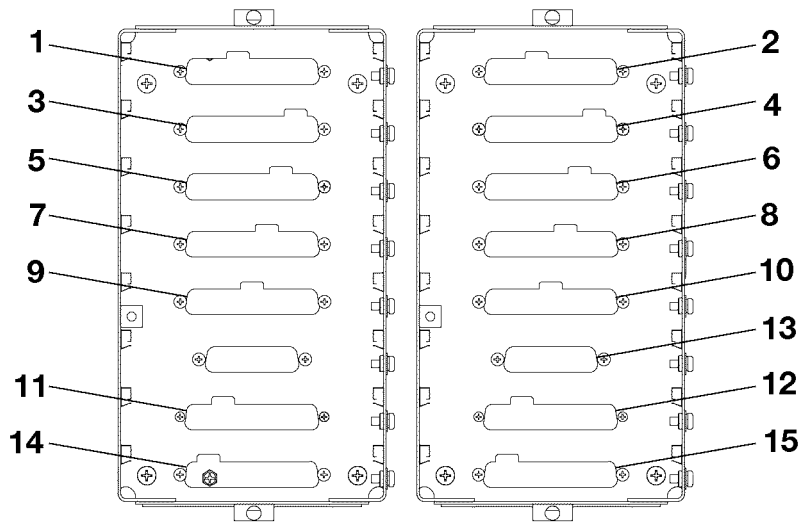
- ITEM NOT ILLUSTRATED

CESSNA®  
**MODEL 525 (SERIALS -0685 AND -0800 AND ON)**  
 ILLUSTRATED PARTS CATALOG

A89037



**DETAIL A**



**← FWD**  
**VIEW A-A**

**PRINTED CIRCUIT BOARD ASSEMBLY**  
**FIGURE 02 (SHEET 1)**

6310T1168  
 A6318T1816  
 AA6318T1816



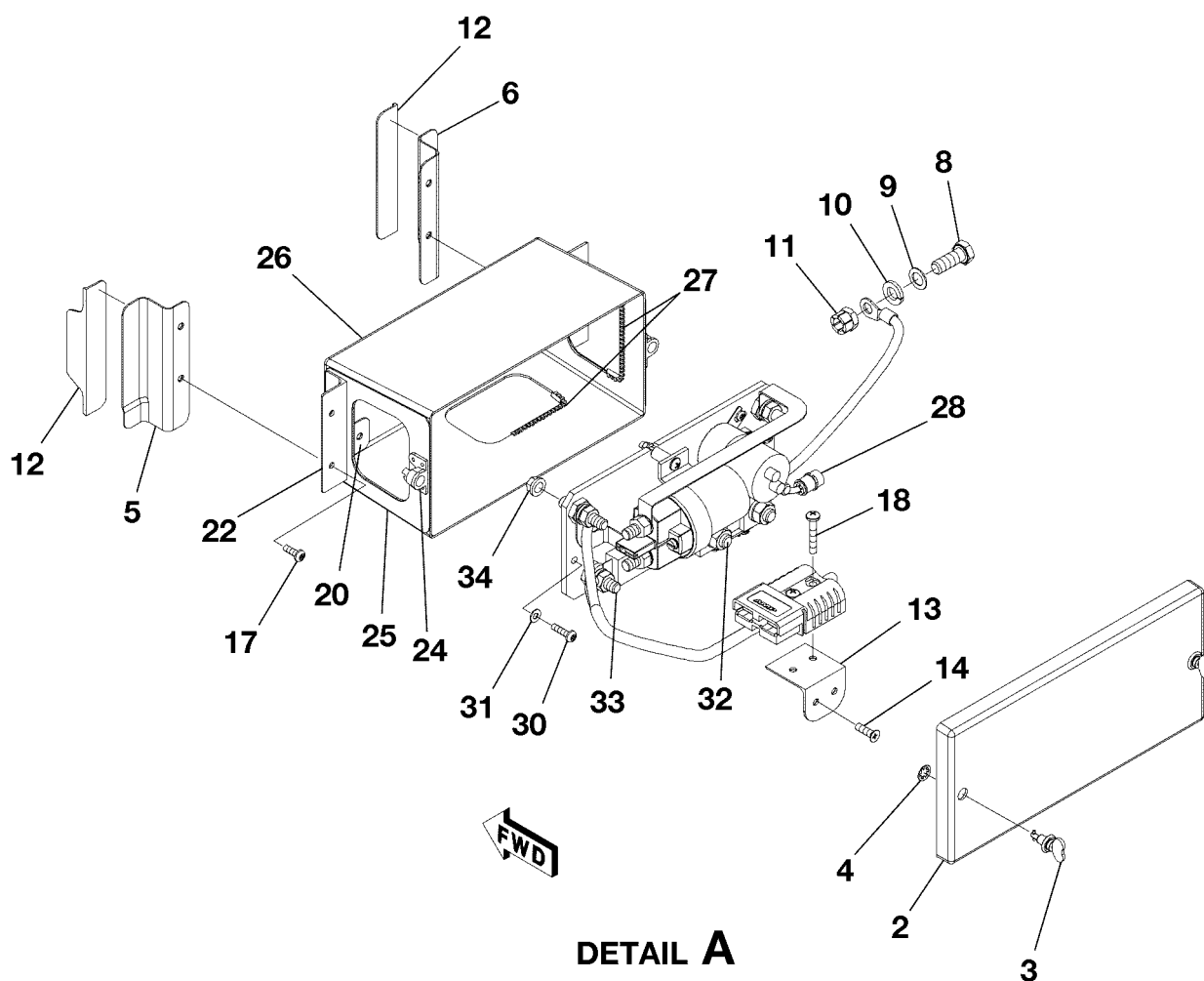
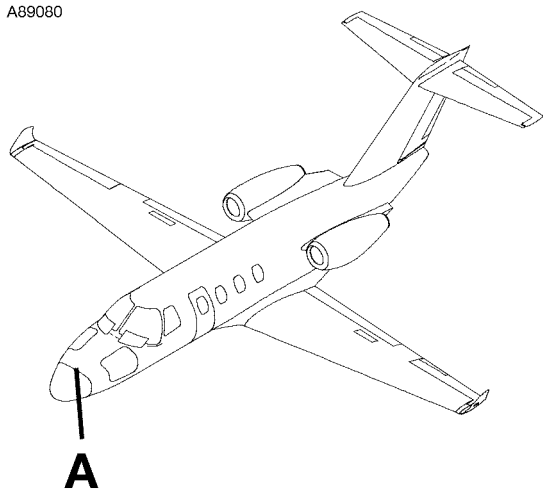
CESSNA®  
**MODEL 525 (SERIALS -0685 AND -0800 AND ON)**  
 ILLUSTRATED PARTS CATALOG

FIG ITEM	PART NUMBER	NOMENCLATURE	UNITS
			PER ASSY
02			
-		PRINTED CIRCUIT BOARD ASSEMBLY	RF
1	6318038-1	. PCB ASSY-START LOGIC NZ100 . . . . .	01
2	6318038-1	. PCB ASSY-START LOGIC NZ101 . . . . .	01
3	6318037-6	. PCB ASSY-FUEL CONTROL NZ102 . . . . .	01
4	6318037-6	. PCB ASSY-FUEL CONTROL NZ103 . . . . .	01
5	6318388-7	. PCB ASSY-IGNITOR NZ104 . . . . .	01
6	6318388-7	. PCB ASSY-IGNITOR NZ105 . . . . .	01
7	6318390-1	. PCB ASSY-ANTI-ICE NZ106 . . . . .	01
8	6318390-1	. PCB ASSY-ANTI-ICE NZ107 . . . . .	01
9	6318035-7	. PCB ASSY-HYDRAULIC CONTROL NZ108 . . . . .	01
10	6318043-1	. PCB ASSY-TAIL DEICE MONITOR NZ109 . . . . .	01
11	6318034-6	. PCB ASSY-SPEEDBRAKE CONTROL NZ112 . . . . .	01
12	6318044-1	. PCB ASSY-TAIL DEICE CONTROL NZ113 . . . . .	01
13	6318046-9	. PCB ASSY-DIAGNOSTICS NZ115 . . . . .	01
14	6318387-11	. FADEC INTERFACE ASSY-NZ116 . . . . .	01
15	6318387-11	. FADEC INTERFACE ASSY-NZ117 . . . . .	01

- ITEM NOT ILLUSTRATED

CESSNA®  
**MODEL 525 (SERIALS -0685 AND -0800 AND ON)**  
 ILLUSTRATED PARTS CATALOG

A89080



**DETAIL A**

6310T1168  
 A6314T1882

JUNCTION BOX - AUXILIARY  
 FIGURE 01 (SHEET 1)

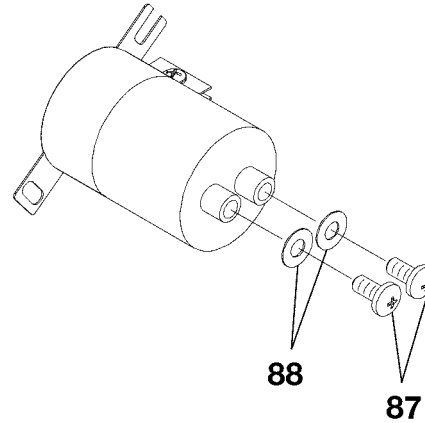
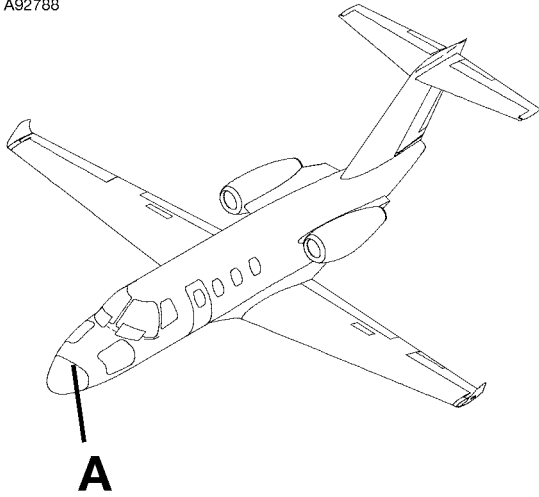
CESSNA®  
**MODEL 525 (SERIALS -0685 AND -0800 AND ON)**  
 ILLUSTRATED PARTS CATALOG

FIG ITEM	PART NUMBER	NOMENCLATURE	UNITS		PER ASSY
			1	2	
01		JUNCTION BOX - AUXILIARY			RF
-		. . . . .			
- 1	6318943-6	. COVER ASSY . . . . .	0800	0876	01
- 1A	6318943-29	. COVER ASSY . . . . .	0877	& ON	01
2	6318943-11	. . COVER . . . . .			01
3	S3275-3W	. . STUD . . . . .			02
4	S3275-300	. . RETAINER RING . . . . .			02
5	6318943-2	. BRACKET ASSY-LH . . . . .			01
6	6318943-3	. BRACKET ASSY-RH . . . . .			01
- 7	MS21075L08N	. . NUTPLATE . . . . .			02
8	AN6-7A	. BOLT . . . . .			01
9	NAS1149F0632P	. WASHER . . . . .			01
10	MS35338-46	. WASHER-LOCK, SPRING . . . . .			01
11	MS21045-6	. NUT . . . . .			01
12	6318943-21	. ANGLE . . . . .			02
13	6318943-10	. DISCONNECT BRACKET ASSY . . . . .			01
		. ATTACHING PARTS . . . . .			
14	MS24694-S52	. SCREW . . . . .			02
		. . . . .			
- 15	MS21075L3N	. . NUTPLATE . . . . .			04
- 16	6318944-1	. J-BOX ASSY-AUX . . . . .	0800	0876	01
- 16A	6318944-2	. J-BOX ASSY-AUX . . . . .	0877	0973	01 R
- 16B	6318944-3	. J-BOX ASSY-AUX . . . . .	0974	& ON	01 R
		. ATTACHING PARTS . . . . .			
17	MS35206-245	. SCREW . . . . .			04
18	MS35206-338	. SCREW FSO MS35207-267 . . . . .			NP
- 18A	MS35207-267	. SCREW . . . . .			02
		. . . . .			
- 19	6318943-1	. . AUX J-BOX ASSY . . . . .			01
20	6318943-7	. . . BRACKET ASSY . . . . .			02
- 21	MS21075L08N	. . . NUTPLATE . . . . .			01
22	6318943-12	. . . ANGLE . . . . .			02
- 23	6318943-5	. . . J-BOX ASSY . . . . .			01
24	S3275D208	. . . RECEPTACLE . . . . .			02
25	6318943-16	. . . DOUBLER . . . . .			02
26	6318943-26	. . . J-BOX . . . . .			01
27	S1050-1	. . GROMMET-BKI . . . . .	0800	0876	AR
- 27A	S1050-2	. . GROMMET-BKI . . . . .	0877	& ON	AR
- 27B	S1050-3	. . GROMMET-BKI . . . . .	0877	& ON	AR
28	6308230-12	. . WIRE ASSY . . . . .	0800	0973	01 R
- 28A	6308230-19	. . WIRE ASSY . . . . .	0974	& ON	01 R
- 29	6318943-4	. . PANEL ASSY . . . . .	0800	0876	01
- 29A	6318943-30	. . PANEL ASSY . . . . .	0877	& ON	01
		. ATTACHING PARTS . . . . .			
30	MS35206-246	. SCREW . . . . .			02
31	NAS1149FN832P	. WASHER . . . . .			02
		. . . . .			
32	6618353-20	. . . STUD . . . . .			02
33	6718439-16	. . . STUD . . . . .			05
34	MS21042-5	. . . NUT . . . . .			07
- 35	6318943-8	. . . PANEL SUB ASSY . . . . .	0800	0876	01
- 35A	6318943-31	. . . PANEL SUB ASSY . . . . .	0877	& ON	01

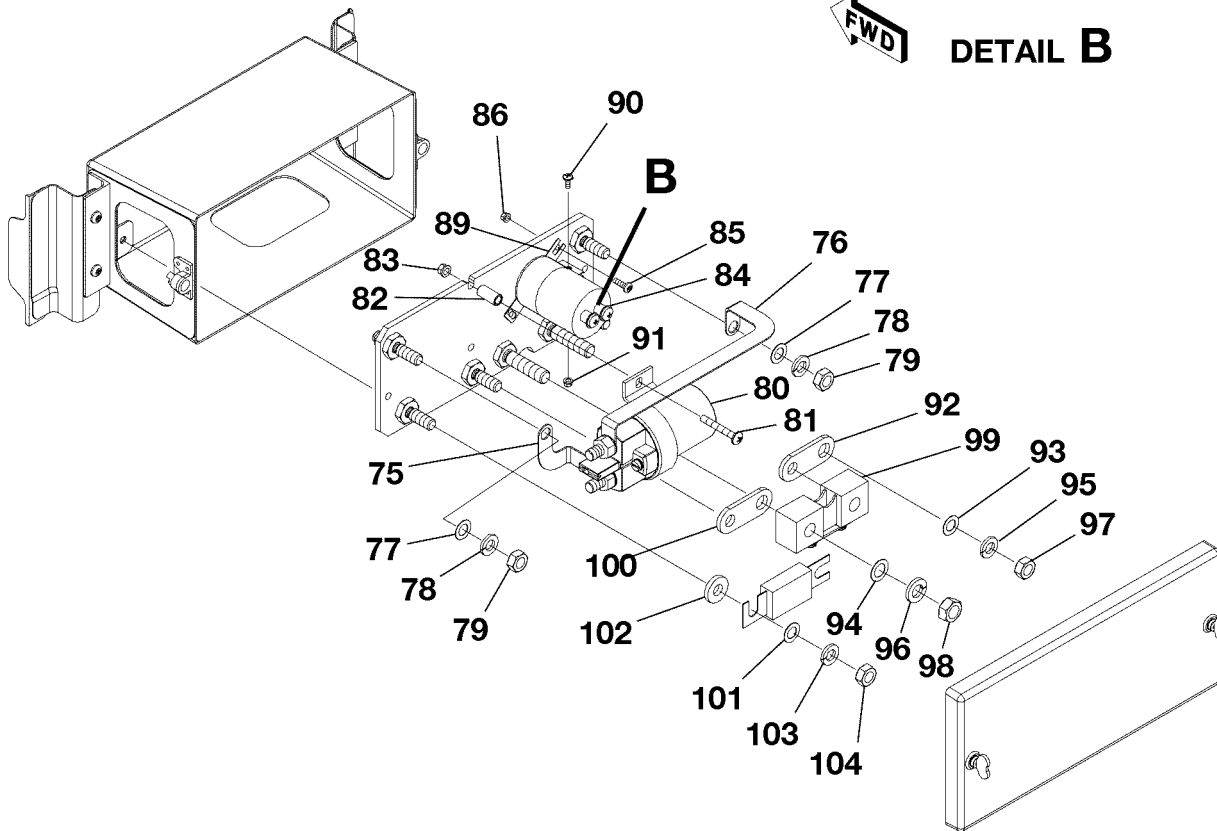
- ITEM NOT ILLUSTRATED

CESSNA®  
**MODEL 525 (SERIALS -0685 AND -0800 AND ON)**  
 ILLUSTRATED PARTS CATALOG

A92788



**FWD** **DETAIL B**



**FWD** **DETAIL A**

JUNCTION BOX - AUXILIARY  
 FIGURE 01 (SHEET 2)

6310T1168  
 A6314T1882  
 B6314T1882

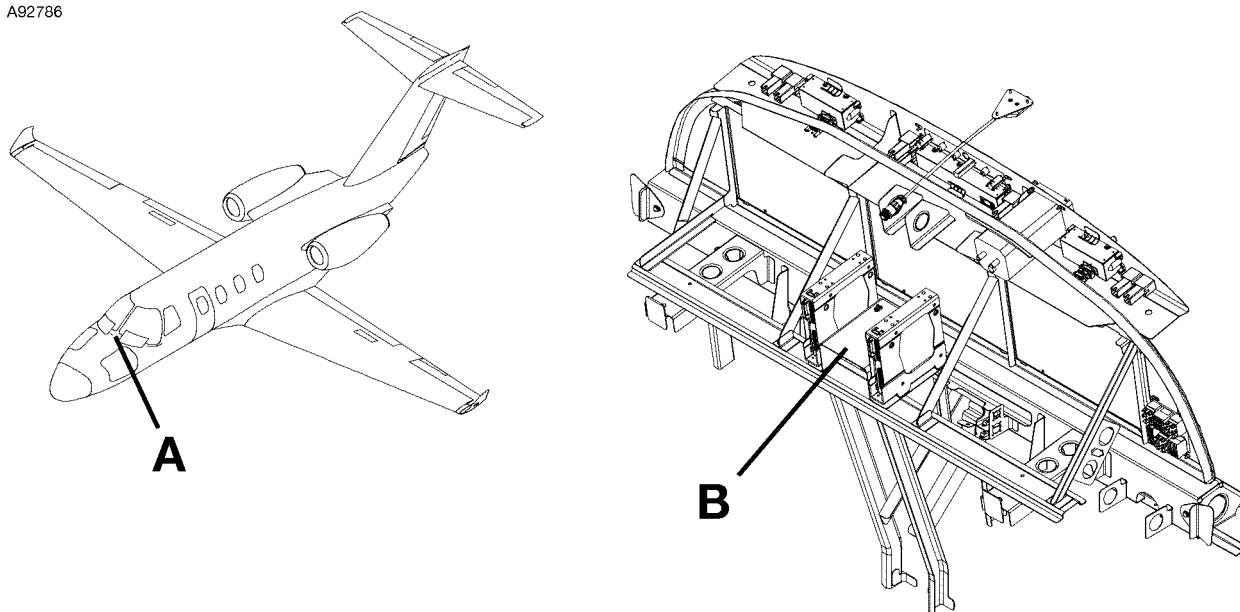
CESSNA®  
**MODEL 525 (SERIALS -0685 AND -0800 AND ON)**  
 ILLUSTRATED PARTS CATALOG

FIG ITEM	PART NUMBER	NOMENCLATURE	1 2 3 4 5 6 7							UNITS PER ASSY
01										
75	6318943-17	. . BUS BAR-HZ902 . . . . .								01
76	6318943-27	. . BUS BAR-HZ903 . . . . .								01
		ATTACHING PARTS								
77	NAS1149F0516P	. . WASHER . . . . .								01
78	MS35338-45	. . WASHER-LOCK, SPRING . . . . .								01
79	AN315-5R	. . NUT . . . . .								01
		—*—								
80	26.08.08.909	. . AUX J-BOX RELAY-KZ955 . . . . .						VD1510		01
		ATTACHING PARTS								
81	MS35207-268	. . SCREW . . . . .								02
82	NAS43DD3-41FC	. . SPACER . . . . .								02
83	MS21042-3	. . NUT . . . . .								02
		—*—								
84	ALS30A472DA063	. . CAPACITOR-CZ000 . . . . .						VOXJEO		01
		ATTACHING PARTS								
85	MS35206-229	. . SCREW . . . . .								02
86	MS21042-06	. . NUT . . . . .								02
		—*—								
87	MS27039C1-06	. . SCREW . . . . .							0877 & ON	02
88	NAS1149C0316R	. . WASHER . . . . .							0877 & ON	02
89	166-8691	. . CAPACITOR MOUNTING CLIP . . . . .						VOXJEO		01
90	482-9833	. . SCREW . . . . .						VOXJEO		01
91	483-0350	. . NUT . . . . .						VOXJEO		01
92	6318923-9	. . BUS BAR-HZ905 . . . . .								01
		ATTACHING PARTS								
93	NAS1149F0516P	. . WASHER . . . . .								02
94	NAS1149F0616P	. . WASHER . . . . .								02
95	MS35338-45	. . WASHER-LOCK, SPRING . . . . .								02
96	MS35338-46	. . WASHER-LOCK, SPRING . . . . .								02
97	AN315-5R	. . NUT . . . . .								02
98	AN315-6R	. . NUT . . . . .								02
		—*—								
99	S2609-1	. . SHUNT ASSY . . . . .								01
100	6318923-9	. . BUS BAR-HZ904 . . . . .								01
		ATTACHING PARTS								
101	NAS1149F0516P	. . WASHER . . . . .								01
102	S1450-5B12-125	. . WASHER . . . . .								01
103	MS35338-45	. . WASHER-LOCK, SPRING . . . . .								01
104	AN315-5R	. . NUT . . . . .								01
		—*—								

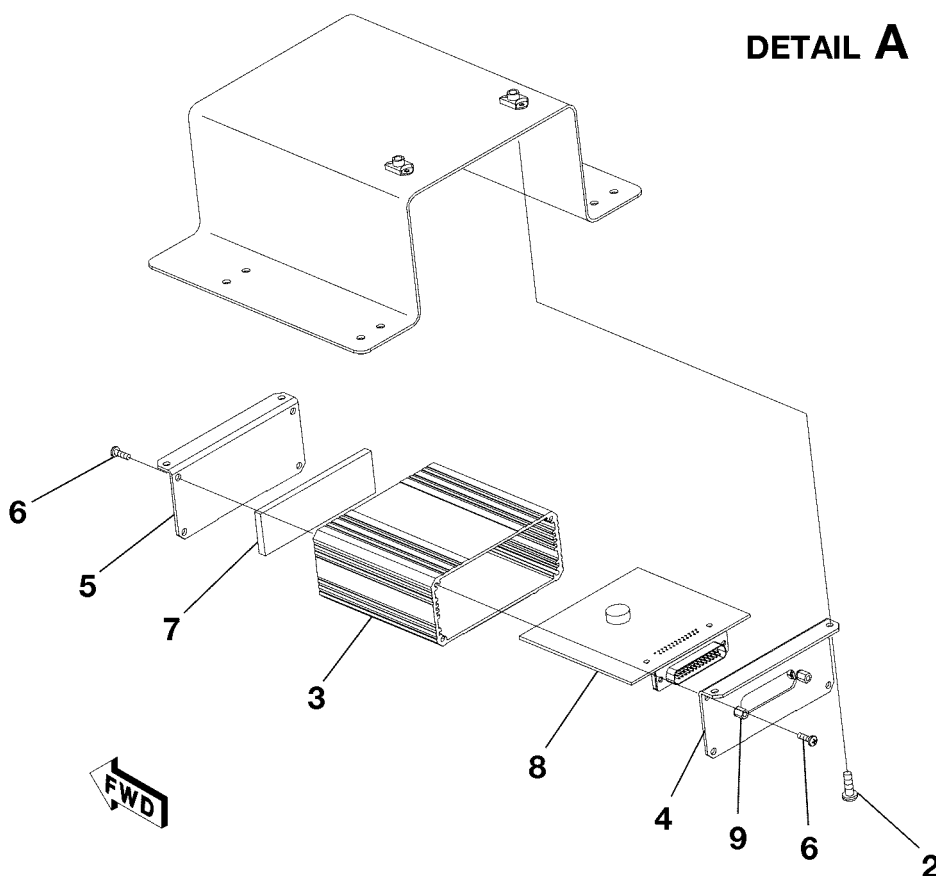
- ITEM NOT ILLUSTRATED

CESSNA®  
MODEL 525 (SERIALS -0685 AND -0800 AND ON)  
ILLUSTRATED PARTS CATALOG

A92786



**DETAIL A**



**DETAIL B**

6310T1168  
A6314T1883  
B6314T1883

CABIN ALTITUDE MODULE INSTALLATION  
FIGURE 01 (SHEET 1)

CESSNA®  
**MODEL 525 (SERIALS -0685 AND -0800 AND ON)**  
 ILLUSTRATED PARTS CATALOG

FIG ITEM	PART NUMBER	NOMENCLATURE	UNITS
			PER ASSY
01			
-		CABIN ALTITUDE MODULE INSTALLATION	RF
- 1	7018119-1	. CABIN ALTITUDE MODULE ASSY-NI151 . . . . .	01
		ATTACHING PARTS	
2	MS35206-245	. SCREW . . . . .	02
		—*—	
3	RS-3516-3510-CES	. . ENCLOSURE . . . . . V29822	01
4	RL-3516-F-CES	. . FRONT PANEL . . . . . V29822	01
5	RL-3516-CES	. . END PANEL . . . . . V29822	01
		ATTACHING PARTS	
6	MS35206-215	. . SCREW . . . . .	04
		—*—	
7	7018119-2	. . RETAINER . . . . .	01
8	7018928-1	. . CABIN ALTITUDE PCB ASSY . . . . .	01
9	M24308/26-1F	. . SCREW LOCK ASSY . . . . .	02

- ITEM NOT ILLUSTRATED





**CHAPTER**

**25**

**EQUIPMENT/  
FURNISHINGS**



CESSNA®  
**MODEL 525 (SERIALS -0685 AND -0800 AND ON)**  
 ILLUSTRATED PARTS CATALOG

<b>CHAPTER SECTION SUBJECT</b>		<b>NUMBER OF PAGES</b>	<b>DATE</b>
25 - TITLE			
25 - LIST OF EFFECTIVE PAGES			
25 - RECORD OF TEMPORARY REVISIONS			
25 - TABLE OF CONTENTS			
25-10-00	Figure 01	2	Dec 1/2015
25-10-00	Figure 02	2	Dec 1/2015
25-10-00	Figure 03	2	Jun 1/2018
25-10-01	Figure 01	2	Nov 1/2013
25-10-02	Figure 01	2	Nov 1/2013
25-10-02	Figure 02	6	Dec 1/2017
25-10-02	Figure 03	4	Dec 1/2017
25-11-00	Figure 01	2	Nov 1/2013
25-12-00	Figure 01	2	Jun 1/2018
25-20-00	Figure 01	4	Jun 1/2016
25-20-00	Figure 02	2	Nov 1/2013
25-20-00	Figure 03	2	Jun 1/2016
25-20-01	Figure 01	2	Dec 1/2017
25-20-01	Figure 02	2	Nov 1/2013
25-20-02	Figure 01	2	Jun 1/2017
25-20-02	Figure 02	6	Nov 1/2013
25-20-05	Figure 01	14	Jun 1/2017
25-21-00	Figure 01	2	Jun 1/2018
25-21-00	Figure 02	4	Jun 1/2018
25-21-00	Figure 03	2	Jun 1/2015
25-21-00	Figure 04	2	Jul 1/2014
25-21-01	Figure 01	2	Jul 1/2014
25-21-01	Figure 02	4	Jun 1/2015
25-22-00	Figure 01	2	Nov 1/2013
25-26-00	Figure 01	4	Jun 1/2018
25-26-00	Figure 02	2	Nov 1/2013
25-29-00	Figure 01	2	Jun 1/2015
25-30-00	Figure 01	2	Nov 1/2013
25-30-00	Figure 02	2	Nov 1/2013
25-30-00	Figure 03	4	Jun 1/2018
25-30-01	Figure 01	2	Nov 1/2013
25-50-00	Figure 01	2	Nov 1/2013
25-50-01	Figure 01	2	Nov 1/2013
25-51-00	Figure 01	2	Nov 1/2013
25-60-00	Figure 01	2	Jun 1/2016
25-60-01	Figure 01	2	Jun 1/2018
25-70-00	Figure 01	4	Jun 1/2015
25-70-00	Figure 02	2	Nov 1/2013
25-70-01	Figure 01	2	Nov 1/2013
25-80-00	Figure 01	4	Nov 1/2013
25-80-00	Figure 02	4	Nov 1/2013
25-80-00	Figure 03	2	Jul 1/2014
25-80-01	Figure 01	6	Nov 1/2013
25-80-01	Figure 02	2	Nov 1/2013
25-80-01	Figure 03	4	Nov 1/2013
25-80-02	Figure 01	2	Nov 1/2013





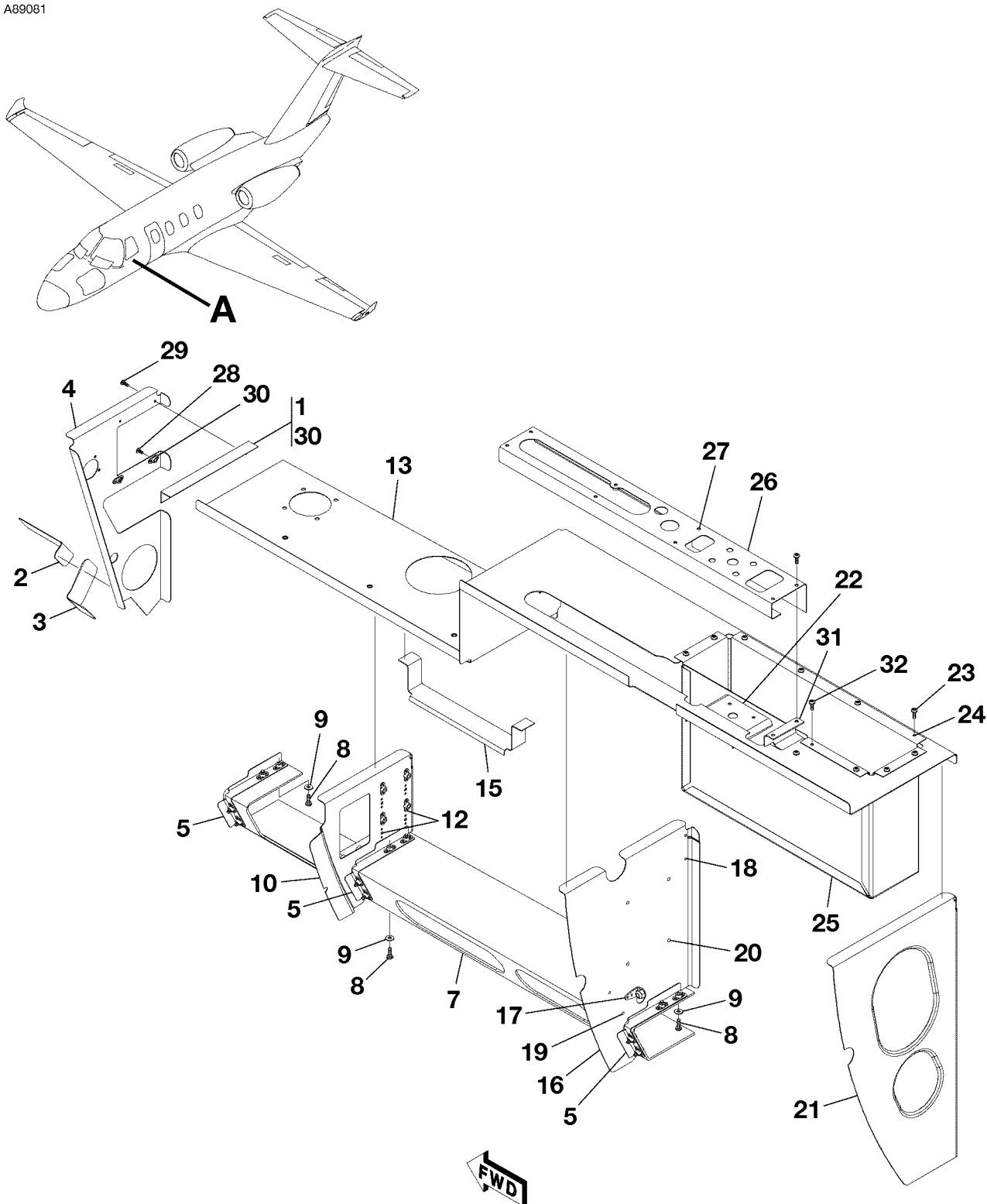


CESSNA®  
**MODEL 525 (SERIALS -0685 AND -0800 AND ON)**  
 ILLUSTRATED PARTS CATALOG

<u>SUBJECT</u>	<u>CHAPTER SECTION SUBJECT</u>	<u>FIGURE</u>	<u>EFFECTIVITY START _____ END</u>
SIDE CONSOLE INSTALLATION - PILOT	25-10-00	01	
SIDE CONSOLE INSTALLATION - COPILOT	25-10-00	02	
MAP CASE - FLIGHT COMPARTMENT	25-10-00	03	
GLARESHIELD INSTALLATION	25-10-01	01	
UPHOLSTERY AND TRIM - FLIGHT COMPARTMENT WINDOWS	25-10-02	01	
SIDE PANEL UPHOLSTERY AND TRIM - FLIGHT COMPARTMENT	25-10-02	02	
OVERHEAD UPHOLSTERY AND TRIM - FLIGHT COMPARTMENT	25-10-02	03	
TRACK SUNVISOR INSTALLATION	25-11-00	01	
CREW SEAT INSTALLATION	25-12-00	01	
CABIN AND MISCELLANEOUS EQUIPMENT	25-20-00	01	
CABIN DOOR FRAME TRIM	25-20-00	02	
CARPET - FUSELAGE SECTION	25-20-00	03	
CABIN WINDOW SHADES	25-20-01	01	
UPHOLSTERY AND TRIM - CABIN DOOR	25-20-01	02	
UPHOLSTERY - CABIN OVERHEAD	25-20-02	01	
REVEALS AND TRIM - CABIN	25-20-02	02	
PASSENGER SEAT	25-20-05	01	
FORWARD CABIN CURTAIN AND HEADER	25-21-00	01	
SIDELEDGE AND SIDEWALL - CABIN	25-21-00	02	
AFT CABIN DIVIDER - LH	25-21-00	03	
AFT CABIN DIVIDER - RH	25-21-00	04	
AFT CURTAIN	25-21-01	01	
POCKET DOOR ASSEMBLY	25-21-01	02	
EXECUTIVE TABLE	25-22-00	01	
SIDE FACING SEAT (SFS)	25-26-00	01	
SIDE FACING SEAT ARMREST	25-26-00	02	
AFT BULKHEAD UPHOLSTERY	25-29-00	01	
REFRESHMENT CENTER WITH HOT LIQUID TANK - LH FORWARD	25-30-00	01	
STORAGE CABINET - LH FORWARD	25-30-00	02	
STORAGE CABINET - RH FORWARD	25-30-00	03	
AVIONICS STORAGE CABINET - RH AFT	25-30-01	01	
CARPET - NOSE BAGGAGE COMPARTMENT	25-50-00	01	
CARPET - TAILCONE BAGGAGE COMPARTMENT	25-50-01	01	
CARGO NET - TAILCONE	25-51-00	01	
EMERGENCY LOCATOR BEACON	25-60-00	01	
EMERGENCY EQUIPMENT	25-60-01	01	
AVIONIC EQUIPMENT SUPPORTS - NOSE	25-70-00	01	
BAGGAGE SHELF - NOSE	25-70-00	02	
BATTERY SUPPORT STRUCTURE	25-70-01	01	
INSULATION - BAGGED FLIGHT COMPARTMENT	25-80-00	01	
DAMPING - FLIGHT COMPARTMENT	25-80-00	02	
BLANKET INSTALLATION	25-80-00	03	
INSULATION - BAGGED CABIN	25-80-01	01	
INSULATION - BAGGED CABIN DOOR AND ESCAPE HATCH	25-80-01	02	
DAMPING - CABIN	25-80-01	03	
INSULATION BLANKETS - OVERHEAD CABIN DUCTS	25-80-02	01	

CESSNA®  
MODEL 525 (SERIALS -0685 AND -0800 AND ON)  
ILLUSTRATED PARTS CATALOG

A89081



**DETAIL A**

SIDE CONSOLE INSTALLATION - PILOT  
FIGURE 01 (SHEET 1)

6310T1168  
A6319T1578



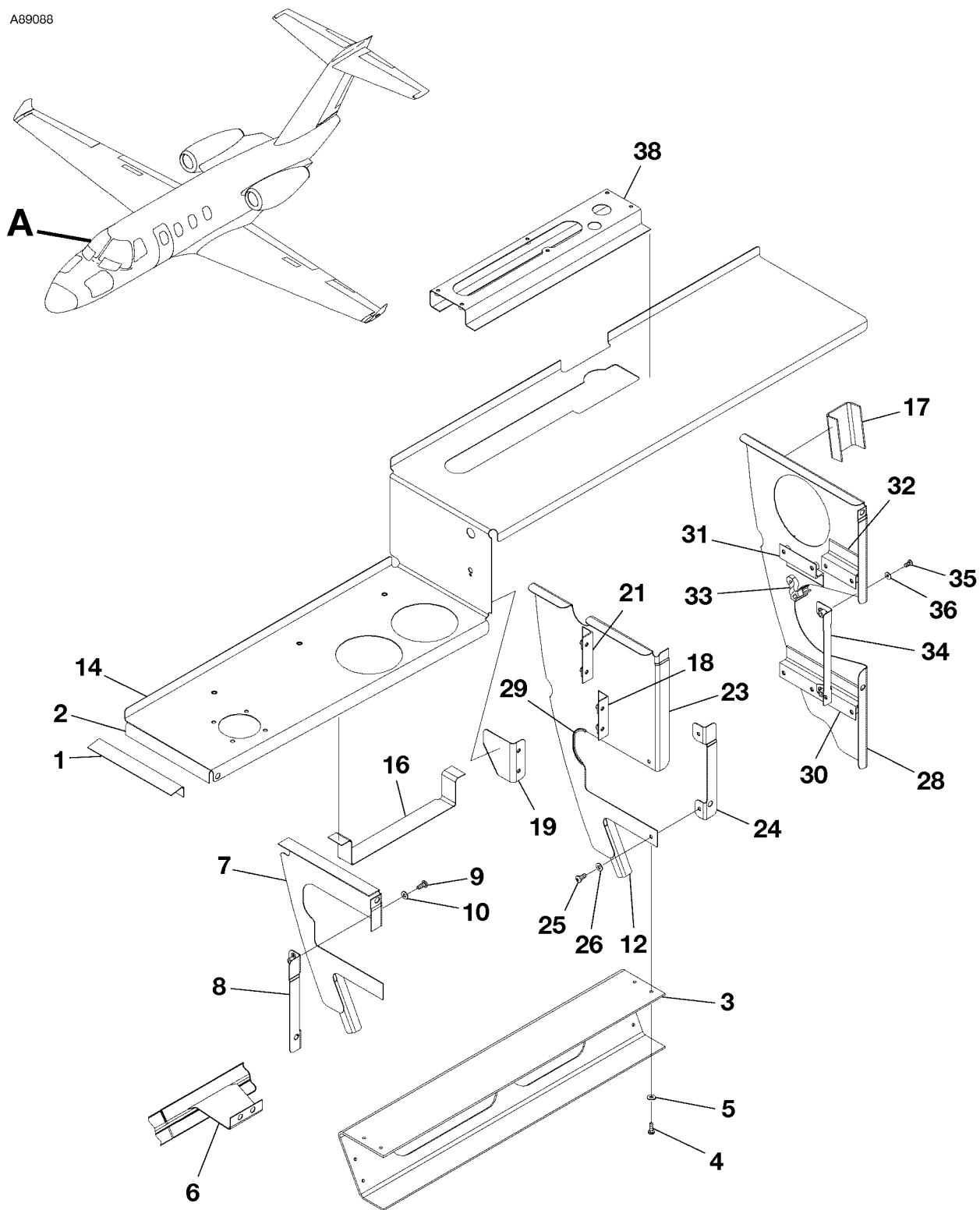
CESSNA®  
**MODEL 525 (SERIALS -0685 AND -0800 AND ON)**  
 ILLUSTRATED PARTS CATALOG

FIG ITEM	PART NUMBER	NOMENCLATURE	UNITS	
			PER	ASSY
01		SIDE CONSOLE INSTALLATION - PILOT		RF
-				
1	5514806-15	. ANGLE . . . . .		01
2	6311194-30	. SUPPORT ANGLE . . . . .		01
3	6311194-40	. SUPPORT ANGLE . . . . .		01
4	6311194-41	. WEB . . . . .		01
5	6311194-15	. CLIP ASSY . . . . .		03
- 6	MS21069L06K	. . NUTPLATE . . . . .		04
7	6311194-17	. CHANNEL . . . . .		01
		ATTACHING PARTS		
8	MS35206-229	. SCREW . . . . .		12
9	NAS1149DN632K	. WASHER . . . . .		06
		—*—		
10	6311194-13	. WEB ASSY . . . . .		01
- 11	MS21047L08	. . NUTPLATE . . . . .		04
12	MS21069L06	. NUTPLATE . . . . .		08
13	6311194-53	. COVER ASSY FSO 6311194-71 . . . . .	0800	0902 NP R
- 13A	6311194-71	. COVER ASSY . . . . .	0903	& ON 01 R
- 14	NAS1474A06	. . NUTPLATE . . . . .		03
15	6314050-20	. RETAINER ASSY . . . . .		01
16	6311194-65	. WEB ASSY . . . . .		01
17	AN256-10	. . NUTPLATE . . . . .		01
18	MS21073L04	. . NUTPLATE . . . . .		02
19	MS21069L04	. . NUTPLATE . . . . .		02
20	MS21047L08	. . NUTPLATE . . . . .		04
21	6314012-6	. WEB . . . . .		01
22	5514806-144	. MOUNT . . . . .		01
23	MS35206-228	. SCREW . . . . .		09
24	MS21069L06	. NUTPLATE . . . . .		09
25	6311194-9	. MAP COMPARTMENT ASSY . . . . .		01
26	6311194-55	. SUPPORT ASSY . . . . .		01
27	MS21072L06	. . NUTPLATE . . . . .		06
28	MS35206-213	. SCREW . . . . .		02
29	MS35206-214	. SCREW . . . . .		02
30	MS21069L04	. NUTPLATE . . . . .		04
31	6311194-52	. CONSOLE SUPPORT ASSY . . . . .		01
		ATTACHING PARTS		
32	MS35206-228	. SCREW . . . . .		02
		—*—		
- 33	MS21072L06	. . NUTPLATE . . . . .		04

- ITEM NOT ILLUSTRATED

CESSNA®  
MODEL 525 (SERIALS -0685 AND -0800 AND ON)  
ILLUSTRATED PARTS CATALOG

A89088



**DETAIL A**

SIDE CONSOLE INSTALLATION - COPILOT  
FIGURE 02 (SHEET 1)

6310T1168  
A6319T1555

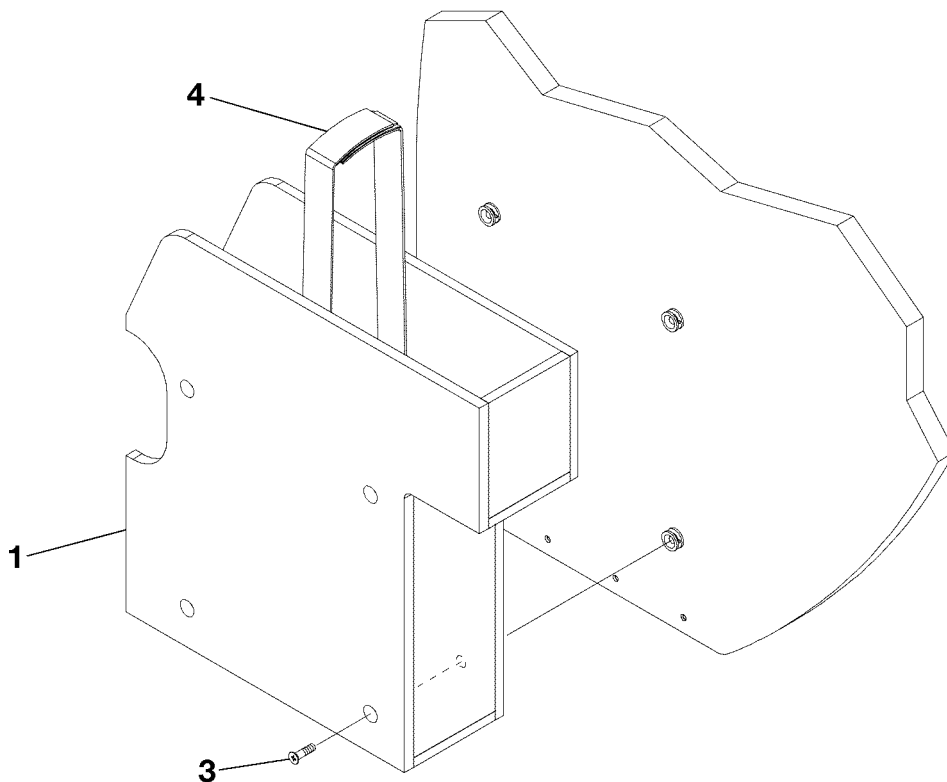
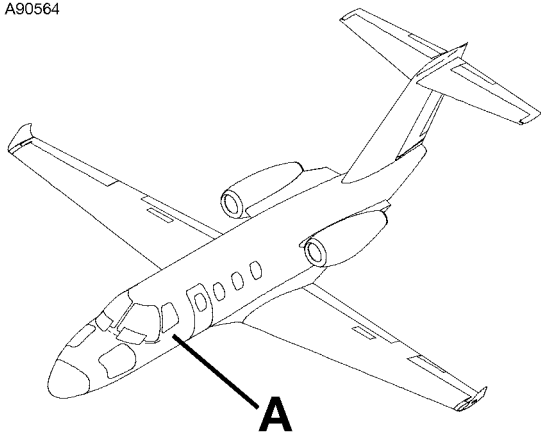
CESSNA®  
**MODEL 525 (SERIALS -0685 AND -0800 AND ON)**  
 ILLUSTRATED PARTS CATALOG

FIG ITEM	PART NUMBER	NOMENCLATURE	UNITS	
			PER	ASSY
02		SIDE CONSOLE INSTALLATION - COPILOT		RF
-				
1	6314050-6	. ANGLE . . . . .		01
2	6314050-7	. ANGLE . . . . .		01
3	6311194-27	. CHANNEL . . . . . ATTACHING PARTS		01
4	MS35206-229	. SCREW . . . . .		08
5	NAS1149DN632K	. WASHER . . . . . —*—		04
6	6314050-34	. BRACE . . . . .		01
7	6311194-22	. WEB . . . . .		01
8	6314050-26	. CLIP ASSY . . . . . ATTACHING PARTS		01
9	MS27039-0806	. SCREW . . . . .		02
10	NAS1149DN832K	. WASHER . . . . . —*—		02
- 11	MS21069L08K	. . NUTPLATE . . . . .		02
12	6311194-28	. CLIP ASSY . . . . .		02
- 13	MS21069L06K	. . NUTPLATE . . . . .		04
14	6311194-58	. COVER ASSY FSO 6311194-74 . . . . .	0800	0902 NP R
- 14A	6311194-74	. COVER ASSY . . . . .	0903	& ON 01 R
- 15	NAS1474A06	. . NUTPLATE . . . . .		03
16	6314050-20	. RETAINER ASSY . . . . .		01
17	6314050-19	. SUPPORT . . . . .		03
18	9154065-3	. BRACKET ASSY-FWD . . . . .		01
19	9154065-5	. BRACKET ASSY-AFT . . . . .		01
- 20	MS21075L08N	. . NUTPLATE . . . . .		02
21	9154040-3	. ANGLE ASSY . . . . .		02
- 22	MS21075L08N	. . NUTPLATE . . . . .		02
23	6311194-66	. WEB . . . . .		01
24	6314050-27	. CLIP ASSY . . . . . ATTACHING PARTS		01
25	MS27039-0806	. SCREW . . . . .		02
26	NAS1149DN832K	. WASHER . . . . . —*—		02
- 27	MS21069L08K	. . NUTPLATE . . . . .		02
28	6311194-24	. WEB . . . . .		01
29	S1050-1-1.75	. GROMMET . . . . .		02
30	6318112-13	. EXTRUSION ASSY . . . . .		01
31	6318112-15	. EXTRUSION ASSY . . . . .		01
32	6318112-17	. EXTRUSION ASSY . . . . .		01
33	S4132-1	. ANCHOR . . . . .		01
34	6311194-25	. SUPPORT ANGLE ASSY . . . . . ATTACHING PARTS		01
35	MS27039-0806	. SCREW . . . . .		02
36	NAS1149DN832K	. WASHER . . . . . —*—		02
- 37	MS21069L08	. . NUTPLATE . . . . .		02
38	6311194-56	. SUPPORT ASSY FSO 6311194-78 . . . . .	0800	0902 NP R
- 38A	6311194-78	. SUPPORT ASSY . . . . .	0903	& ON 01 R
- 39	MS21072L06	. . NUTPLATE . . . . .		06

- ITEM NOT ILLUSTRATED

CESSNA®  
**MODEL 525 (SERIALS -0685 AND -0800 AND ON)**  
ILLUSTRATED PARTS CATALOG

A90564



**DETAIL A**

MAP CASE - FLIGHT COMPARTMENT  
FIGURE 03 (SHEET 1)

6310T1168  
A6314T1854

CESSNA®  
**MODEL 525 (SERIALS -0685 AND -0800 AND ON)**  
 ILLUSTRATED PARTS CATALOG

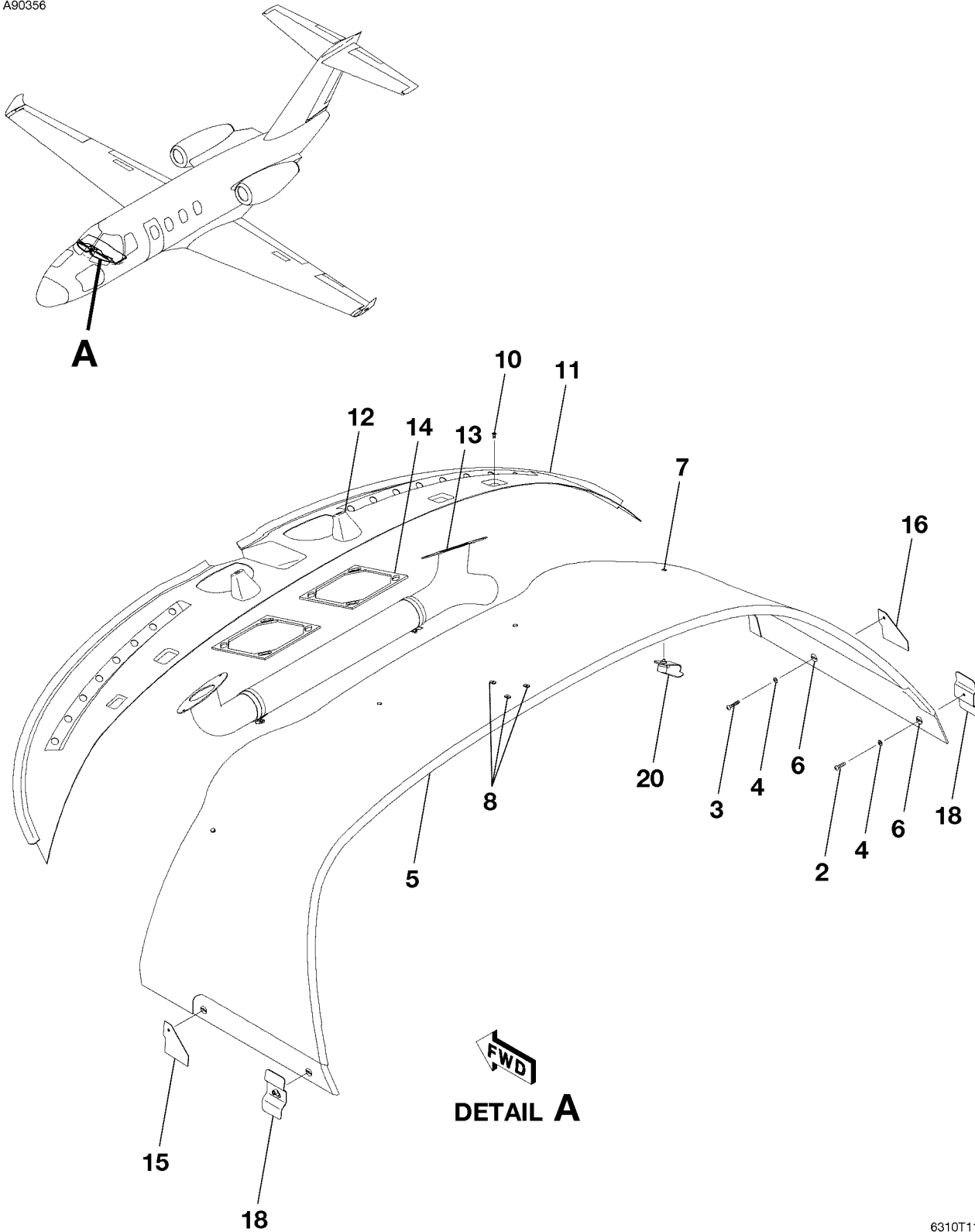
FIG ITEM	PART NUMBER	1 2 3 4 5 6 7	NOMENCLATURE	UNITS PER ASSY
03			MAP CASE - FLIGHT COMPARTMENT	RF
-				
1	4799513-3		. NAVIGATION CHART CASE-LH REFER TO NOTE 1 . . . . .	01 R
-	4799513-4		. NAVIGATION CHART CASE-RH . . . . .	01
			ATTACHING PARTS	
3	MS24694-S53		. SCREW REFER TO NOTE 1 . . . . .	04 R
			—*—	
4	6319103-7		. . STRAP ASSY REFER TO NOTE 1 . . . . .	01 R

NOTE 1—USED ON LUXEMBOURG, DANISH, ISLE OF MAN, BRITISH, PORTUGUESE, GERMAN, AUSTRALIAN, ITALIAN, FRENCH, SWISS,  
 AND CZECH CERTIFIED AIRPLANES. R

- ITEM NOT ILLUSTRATED

CESSNA®  
MODEL 525 (SERIALS -0685 AND -0800 AND ON)  
ILLUSTRATED PARTS CATALOG

A90356



GLARESHIELD INSTALLATION  
FIGURE 01 (SHEET 1)

6310T1168  
A6319T1562

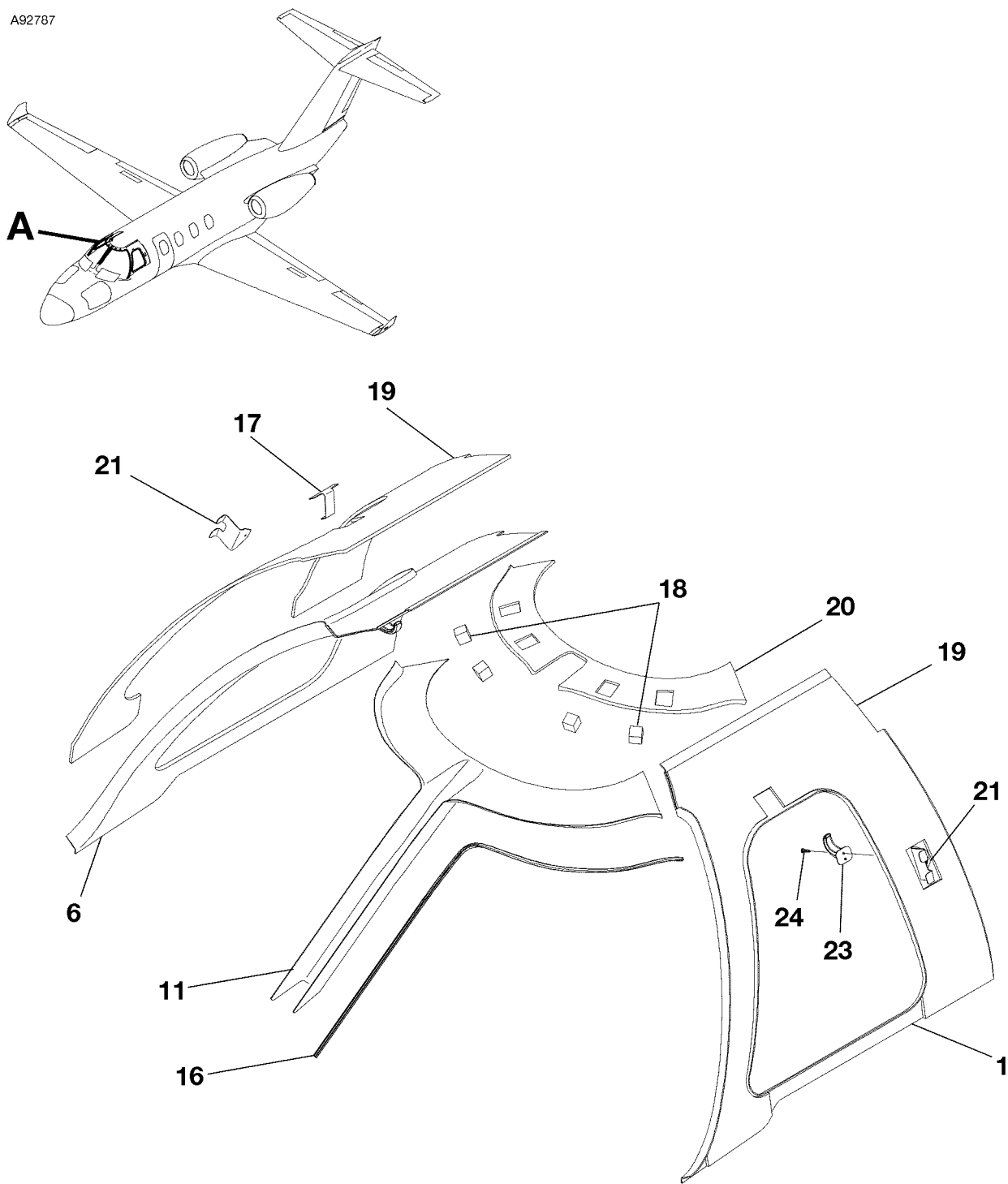
CESSNA®  
**MODEL 525 (SERIALS -0685 AND -0800 AND ON)**  
 ILLUSTRATED PARTS CATALOG

FIG ITEM	PART NUMBER	NOMENCLATURE	UNITS
			PER ASSY
01		GLARESHIELD INSTALLATION	RF
- 1	4711869-2	. GLAREHIELD ASSY . . . . .	01
		. ATTACHING PARTS	
2	MS27039-0815	. SCREW . . . . .	02
3	MS27039-0812	. SCREW . . . . .	02
4	NAS1149FN816P	. WASHER . . . . .	04
		—*—	
5	4711869-4	. . BOND ASSY-GLARESHIELD . . . . .	01
6	NAS1834-08-250	. . . INSERT . . . . .	04
7	NAS1836-3-08	. . . INSERT . . . . .	04
8	NAS1836C06-07	. . . INSERT . . . . .	03
- 9	4711869-8	. GLARESHIELD DECK ASSY . . . . .	01
		. ATTACHING PARTS	
10	MS24693-S25	. SCREW . . . . .	04
		—*—	
11	4711869-7	. . BOND ASSY . . . . .	01
12		. . LIGHT-ICE DETECTION REFER TO 33-10-00 FIGURE 02 . . . . .	RF
13		. FLEX DUCT-WINDSHIELD ANTI-ICE SYSTEM DUCTS REFER TO 30-40-00 FIGURE 03. . . . .	RF
14		. FAN GASKET-AVIONICS COOLING REFER TO 21-20-00 FIGURE 03 . . . . .	RF
15	6319028-57	. BRACKET ASSY-LH . . . . .	01
16	6319028-58	. BRACKET ASSY-RH . . . . .	01
- 17	MS21075L08N	. . NUTPLATE . . . . .	01
18	4711870-23	. BRACKET ASSY . . . . .	02
- 19	MS21055L08	. . NUTPLATE . . . . .	01
20		. ANGLE-FIRE TRAY REFER TO 26-20-00 FIGURE 02 . . . . .	RF

- ITEM NOT ILLUSTRATED

CESSNA®  
MODEL 525 (SERIALS -0685 AND -0800 AND ON)  
ILLUSTRATED PARTS CATALOG

A92787



**DETAIL A**

UPHOLSTERY AND TRIM - FLIGHT COMPARTMENT WINDOWS  
FIGURE 01 (SHEET 1)

6310T1168  
A6319T1644



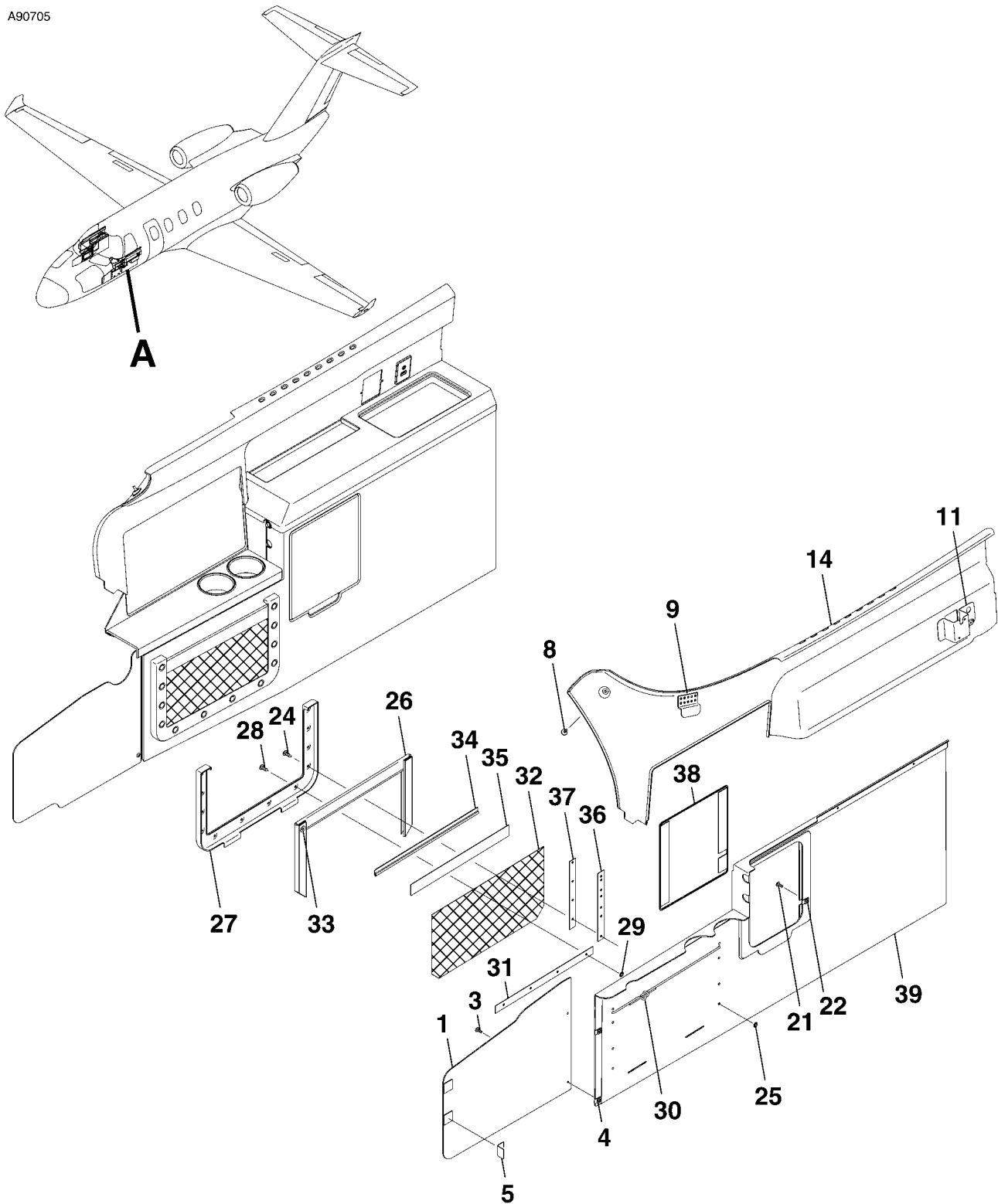
CESSNA®  
**MODEL 525 (SERIALS -0685 AND -0800 AND ON)**  
 ILLUSTRATED PARTS CATALOG

FIG ITEM	PART NUMBER	NOMENCLATURE	UNITS
			PER ASSY
01		UPHOLSTERY AND TRIM - FLIGHT COMPARTMENT WINDOWS	RF
-			
1	4711923-39	. WINDOW TRIM-LH SAVANNA . . . . .	01
- 2	4711923-41	. WINDOW TRIM-LH WEIS . . . . .	01
- 3	4711923-43	. WINDOW TRIM-LH MONTERREY . . . . .	01
- 4	4711923-45	. WINDOW TRIM-LH BEIGE . . . . .	01
- 5	4711923-47	. WINDOW TRIM-LH PINSTRIPE . . . . .	01
6	4711923-13	. WINDOW TRIM-FRONT SAVANNA . . . . .	01
- 7	4711923-14	. WINDOW TRIM-FRONT WEIS . . . . .	01
- 8	4711923-16	. WINDOW TRIM-FRONT MONTERREY . . . . .	01
- 9	4711923-17	. WINDOW TRIM-FRONT BEIGE . . . . .	01
- 10	4711923-18	. WINDOW TRIM-FRONT PINSTRIPE . . . . .	01
11	4711923-40	. WINDOW TRIM-RH SAVANNA . . . . .	01
- 12	4711923-42	. WINDOW TRIM-RH WEIS . . . . .	01
- 13	4711923-44	. WINDOW TRIM-RH MONTERREY . . . . .	01
- 14	4711923-46	. WINDOW TRIM-RH BEIGE . . . . .	01
- 15	4711923-48	. WINDOW TRIM-RH PINSTRIPE . . . . .	01
16	S4371-1	. RUBBER SEAL-BKI . . . . .	AR
17	4711063-7	. BRACKET . . . . .	02
18	4711923-37	. CLIP . . . . .	04
19	4711923-19	. INSULATION-COCKPIT WINDOW . . . . .	02
20	4711923-35	. INSULATION-WINDSHIELD . . . . .	01
21	4711923-21	. BRACKET ASSY-HEADSET HOOK . . . . .	02
- 22	MS21047L08	. . NUTPLATE . . . . .	01
23	CH6714-1	. HEADSET HOOK . . . . . V1XE65	02
		ATTACHING PARTS	
24	MS35206-247	. SCREW . . . . .	01

- ITEM NOT ILLUSTRATED

CESSNA®  
MODEL 525 (SERIALS -0685 AND -0800 AND ON)  
ILLUSTRATED PARTS CATALOG

A90705



**DETAIL A**

SIDE PANEL UPHOLSTERY AND TRIM - FLIGHT COMPARTMENT  
FIGURE 02 (SHEET 1)

6310T1168  
A6319T1598

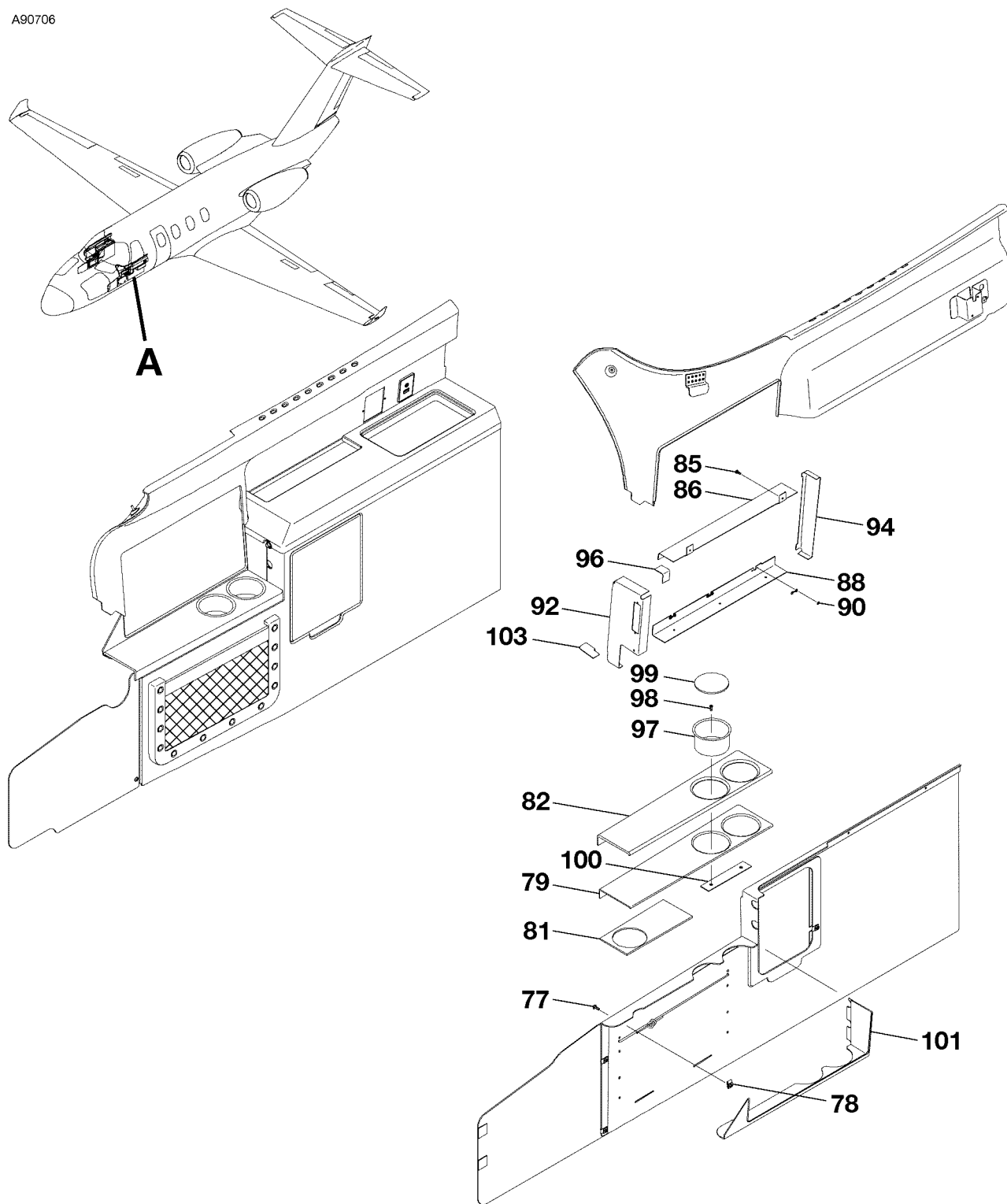
CESSNA®  
**MODEL 525 (SERIALS -0685 AND -0800 AND ON)**  
 ILLUSTRATED PARTS CATALOG

FIG ITEM	PART NUMBER	NOMENCLATURE	UNITS PER ASSY			
			1	2	3	4
02		SIDE PANEL UPHOLSTERY AND TRIM - FLIGHT COMPARTMENT				RF
- 1	4711875-33	. SIDEWALL PANEL ASSY-LH FWD . . . . .				01
- 2	4711875-34	. SIDEWALL PANEL ASSY-RH FWD . . . . .				01
		ATTACHING PARTS				
3	AN525-832R8	. SCREW . . . . .				02
4	S1477-08	. NUT . . . . .				02
		—*—				
5	4711058-4	. ANGLE . . . . .				02
- 6	4711875-1	. SIDEWALL PANEL ASSY-LH UPPER . . . . .				01
- 7	4711875-2	. SIDEWALL PANEL ASSY-RH UPPER . . . . .				01
		ATTACHING PARTS				
8	AN525-832R8	. SCREW . . . . .				01
		—*—				
9	4711875-25	. . . SIDEWALL BRACKET-LH . . . . .				01
- 10	4711875-26	. . . SIDEWALL BRACKET-RH . . . . .				01
11	4711875-59	. . . USB BRACKET ASSY-LH . . . . .				01
- 12	MS21059L04	. . . NUTPLATE . . . . .				01
- 13	4711875-38	. . . USB BRACKET-RH . . . . .				01
14	4711875-3	. . . SIDEWALL PANEL-LH . . . . .				01
- 15	4711875-4	. . . SIDEWALL PANEL-RH . . . . .				01
- 16	UG492D/U	. . . ADAPTER JC1020 . . . . .	V07688	0800	0972	01 R
- 16A	BTF101	. . . COAX BULKHEAD FEEDTHRU JC1020 . . . . .	V66197	0973	& ON	01 R
- 17	M39012/25-0006	. . . COVER . . . . .		0800	0972	01 R
- 17A	78750	. . . TNC MALE CAP-W/CHAIN JC1020 . . . . .	V74868	0973	& ON	01 R
- 18	CM3558-4-9B	. . . SCREW . . . . .				01 R
- 19	4711875-5	. . . SIDEWALL PANEL ASSY-LH LOWER . . . . .				01 R
- 20	4711875-6	. . . SIDEWALL PANEL ASSY-RH LOWER . . . . .				01 R
		ATTACHING PARTS				
21	AN525-832R8	. . . SCREW . . . . .				02 R
22	S1477-08	. . . NUT . . . . .				01 R
		—*—				
- 23	4711879-1	. . . SIDEWALL POCKET ASSY . . . . .				01 R
		ATTACHING PARTS				
24	11680	. . . RETAINER . . . . .	V70655			08 R
25	8864	. . . RETAINER . . . . .	V70655			08 R
		—*—				
26	4711879-3	. . . . . SIDEWALL POCKET . . . . .				01 R
27	4711879-2	. . . . . POCKET FRAME . . . . .				01 R
28	11680	. . . . . RETAINER . . . . .	V70655			12 R
29	8864	. . . . . RETAINER . . . . .	V70655			12 R
30	4711879-10	. . . . . POCKET CORD . . . . .				01 R
31	4711879-6	. . . . . STIFFENER-LOWER . . . . .				01 R
32	4711879-4	. . . . . POCKET MESH . . . . .				01 R
33	MS20230B10	. . . . . GROMMET . . . . .				06 R
34	4711879-9	. . . . . LINER-POCKET CORD . . . . .				01 R
35	4711879-5	. . . . . STIFFENER-UPPER . . . . .				01 R
36	4711879-8	. . . . . STIFFENER-OUTBOARD . . . . .				02 R
37	4711879-7	. . . . . STIFFENER-INBOARD . . . . .				02 R
38	4711875-11	. . . . . ACCESS PANEL ASSY . . . . .				01 R
39	4711875-7	. . . . . SIDEWALL PANEL-LH . . . . .				01 R
- 40	4711875-8	. . . . . SIDEWALL PANEL-RH . . . . .				01 R

- ITEM NOT ILLUSTRATED

CESSNA®  
MODEL 525 (SERIALS -0685 AND -0800 AND ON)  
ILLUSTRATED PARTS CATALOG

A90706



**DETAIL A**

SIDE PANEL UPHOLSTERY AND TRIM - FLIGHT COMPARTMENT  
FIGURE 02 (SHEET 2)

6310T1168  
A6319T1599

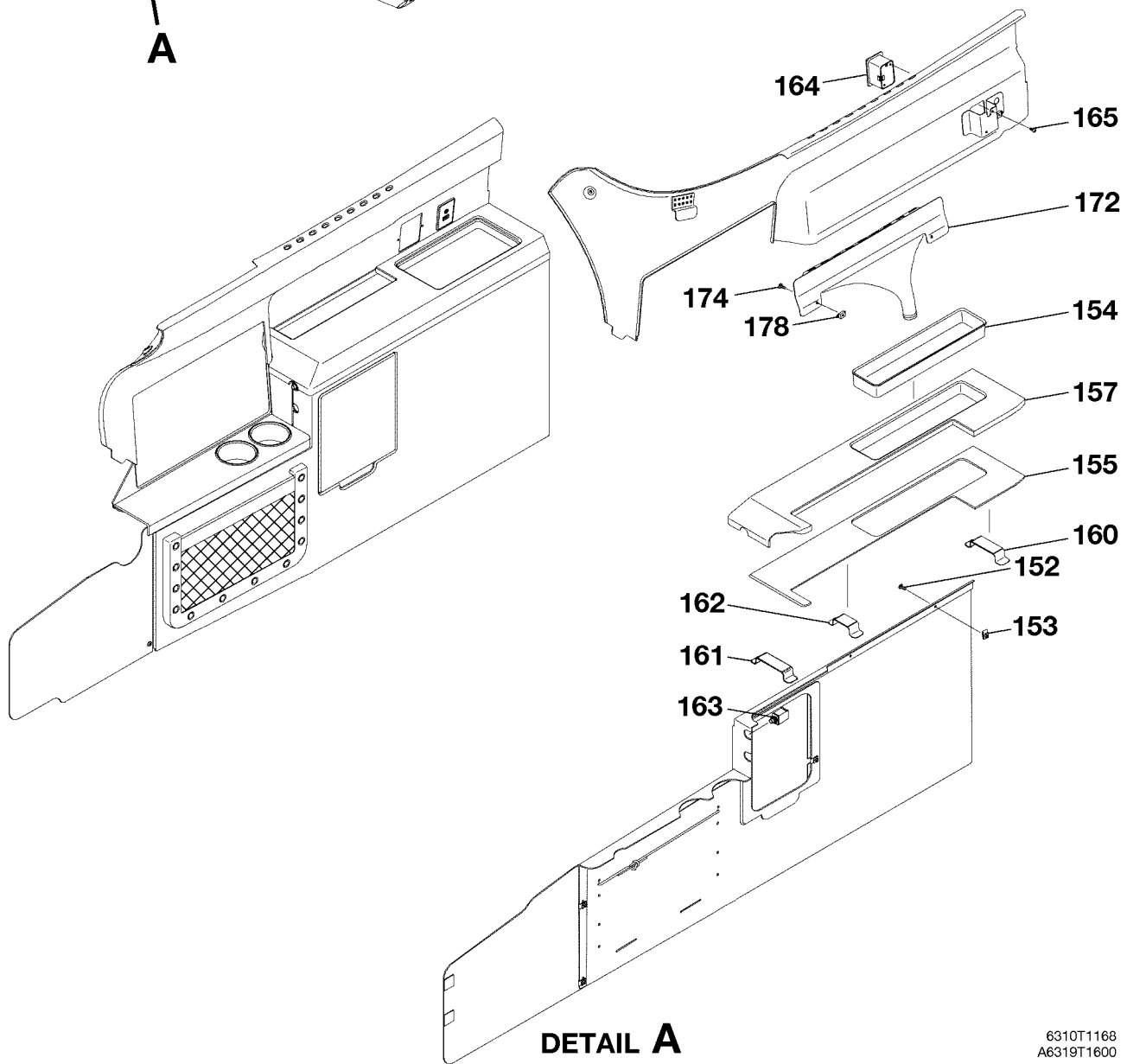
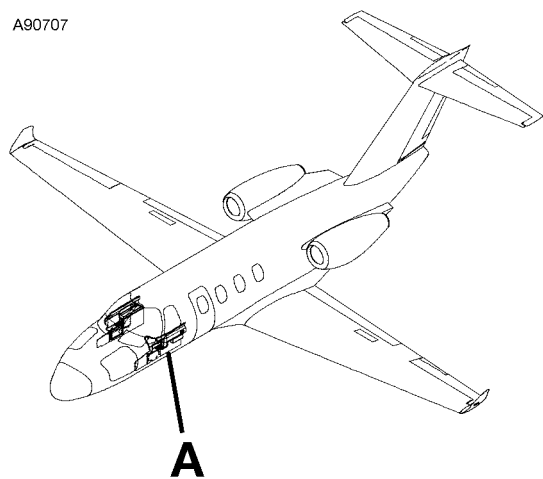
CESSNA®  
**MODEL 525 (SERIALS -0685 AND -0800 AND ON)**  
 ILLUSTRATED PARTS CATALOG

FIG ITEM	PART NUMBER	NOMENCLATURE	UNITS
			PER ASSY
		1 2 3 4 5 6 7	
02			
- 75	4711875-15	. CUPHOLDER ASSY-LH . . . . .	01
- 76	4711875-16	. CUPHOLDER ASSY-RH . . . . .	01
		ATTACHING PARTS	
77	AN525-832R8	. SCREW . . . . .	02
78	S1477-08	. NUT . . . . .	02
		—*—	
79	4711875-23	. TRIM-LH . . . . .	01
- 80	4711875-24	. TRIM-RH . . . . .	01
81	4711875-27	. STIFFENER . . . . .	01
82	F000780	. UPHOLSTERY . . . . .	AR
- 83	4717300-3	. FRAME ASSY-LH CUPHOLDER . . . . .	01
- 84	4717300-4	. FRAME ASSY-RH CUPHOLDER . . . . .	01
		ATTACHING PARTS	
85	MS35206-228	. SCREW . . . . .	06
		—*—	
86	6319011-3	. FRAME-LH UPPER . . . . .	01
- 87	6319011-4	. FRAME-RH UPPER . . . . .	01
88	6319011-5	. FRAME-LH LOWER . . . . .	01
- 89	6319011-6	. FRAME-RH LOWER . . . . .	01
90	NAS1149DN316K	. WASHER-LH . . . . .	12
- 91	NAS1149DN316K	. WASHER-RH . . . . .	10
92	4717300-5	. FRAME-LH FWD . . . . .	01
- 93	4717300-6	. FRAME-RH FWD . . . . .	01
94	6319011-9	. FRAME-LH AFT . . . . .	01
- 95	6319011-10	. FRAME-RH AFT . . . . .	01
96	6319011-23	. CLIP . . . . .	01
97	4811861-1	. CUPHOLDER . . . . .	04
		ATTACHING PARTS	
98	MS24693-S27	. SCREW . . . . .	01
		—*—	
99	4711589-2	. CUPHOLDER PAD . . . . .	04
100	4711875-37	. CUPHOLDER SPACER . . . . .	02
101	4711875-9	. CLOSEOUT-LH CIRCUIT BREAKER . . . . .	01
- 102	4711875-10	. CLOSEOUT-RH CIRCUIT BREAKER . . . . .	01
103	6319011-21	. BRACKET ASSY-LH . . . . .	01
- 104	6319011-22	. BRACKET ASSY-RH . . . . .	01
- 105	MS21075L06	. NUTPLATE . . . . .	01

- ITEM NOT ILLUSTRATED

CESSNA®  
MODEL 525 (SERIALS -0685 AND -0800 AND ON)  
ILLUSTRATED PARTS CATALOG

A90707



**DETAIL A**

SIDE PANEL UPHOLSTERY AND TRIM - FLIGHT COMPARTMENT  
FIGURE 02 (SHEET 3)

6310T1168  
A6319T1600

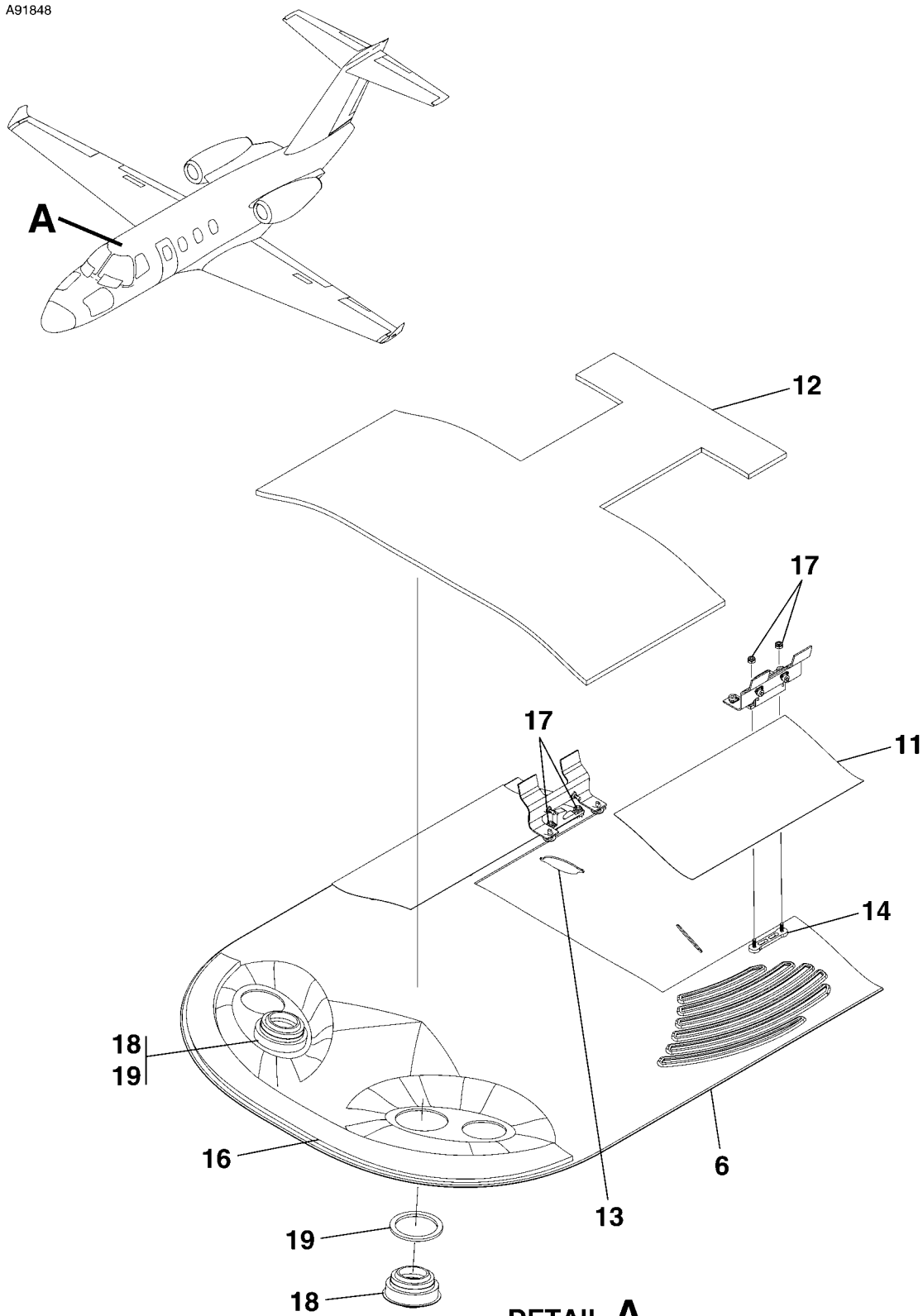
CESSNA®  
**MODEL 525 (SERIALS -0685 AND -0800 AND ON)**  
 ILLUSTRATED PARTS CATALOG

FIG ITEM	PART NUMBER	NOMENCLATURE	UNITS
			PER ASSY
02			
- 150	4711875-13	. ARMREST ASSY-LH . . . . .	01
- 151	4711875-14	. ARMREST ASSY-RH . . . . .	01
		ATTACHING PARTS	
152	AN525-832R8	. SCREW . . . . .	03
153	S1477-08	. NUT . . . . .	03
		—*—	
154	4711875-21	. BEZEL . . . . .	01
155	4711875-19	. ARMREST PAD-LH . . . . .	01
- 156	4711875-20	. ARMREST PAD-RH . . . . .	01
157	F000780	. UPHOLSTERY . . . . .	AR
- 158	4711875-22	. ARMREST TRAY-RH . . . . .	01
- 159	4711875-39	. TRAY PAD-RH . . . . .	01
160	4711876-5	. SUPPORT BRACKET ASSY-ARMREST . . . . .	02
161	4711876-13	. SUPPORT BRACKET ASSY-ARMREST . . . . .	01
162	4711876-6	. SUPPORT BRACKET ASSY-ARMREST . . . . .	02
163	S3178-1	. PUSHBUTTON SWITCH . . . . .	02
164	PED050-01	. USB PORT . . . . . V0GZF3	02
		ATTACHING PARTS	
165	MS35206-227	. SCREW . . . . .	02
		—*—	
- 166	4711876-9	. OUTLET BRACKET ASSY-RH . . . . .	01
- 167	4711876-10	. OUTLET BRACKET ASSY-RH . . . . .	01
- 168	MS21069L06	. NUTPLATE . . . . .	01
- 169	106300-12	. AC OUTLET ASSY-RH 110 VOLT . . . . . VMCCI	01
- 170	106300-11	. AC OUTLET ASSY-RH 120 VOLT . . . . . VMCCI	01
		ATTACHING PARTS	
- 171	MS24693-28B	. SCREW . . . . .	02
		—*—	
172	4711875-29	. SIDEWALL DUCT ASSY-LH . . . . .	01
- 173	4711875-30	. SIDEWALL DUCT ASSY-RH . . . . .	01
		ATTACHING PARTS	
174	AN525-832R8	. SCREW . . . . .	02
		—*—	
- 175	4711875-28	. RETAINER . . . . .	01
- 176	4711875-31	. SIDEWALL DUCT-LH . . . . .	01
- 177	4711875-32	. SIDEWALL DUCT-RH . . . . .	01
178	MS21059L08	. NUTPLATE . . . . .	06

- ITEM NOT ILLUSTRATED

CESSNA®  
MODEL 525 (SERIALS -0685 AND -0800 AND ON)  
ILLUSTRATED PARTS CATALOG

A91848



OVERHEAD UPHOLSTERY AND TRIM - FLIGHT COMPARTMENT  
FIGURE 03 (SHEET 1)

6310T1168  
A6319T1627



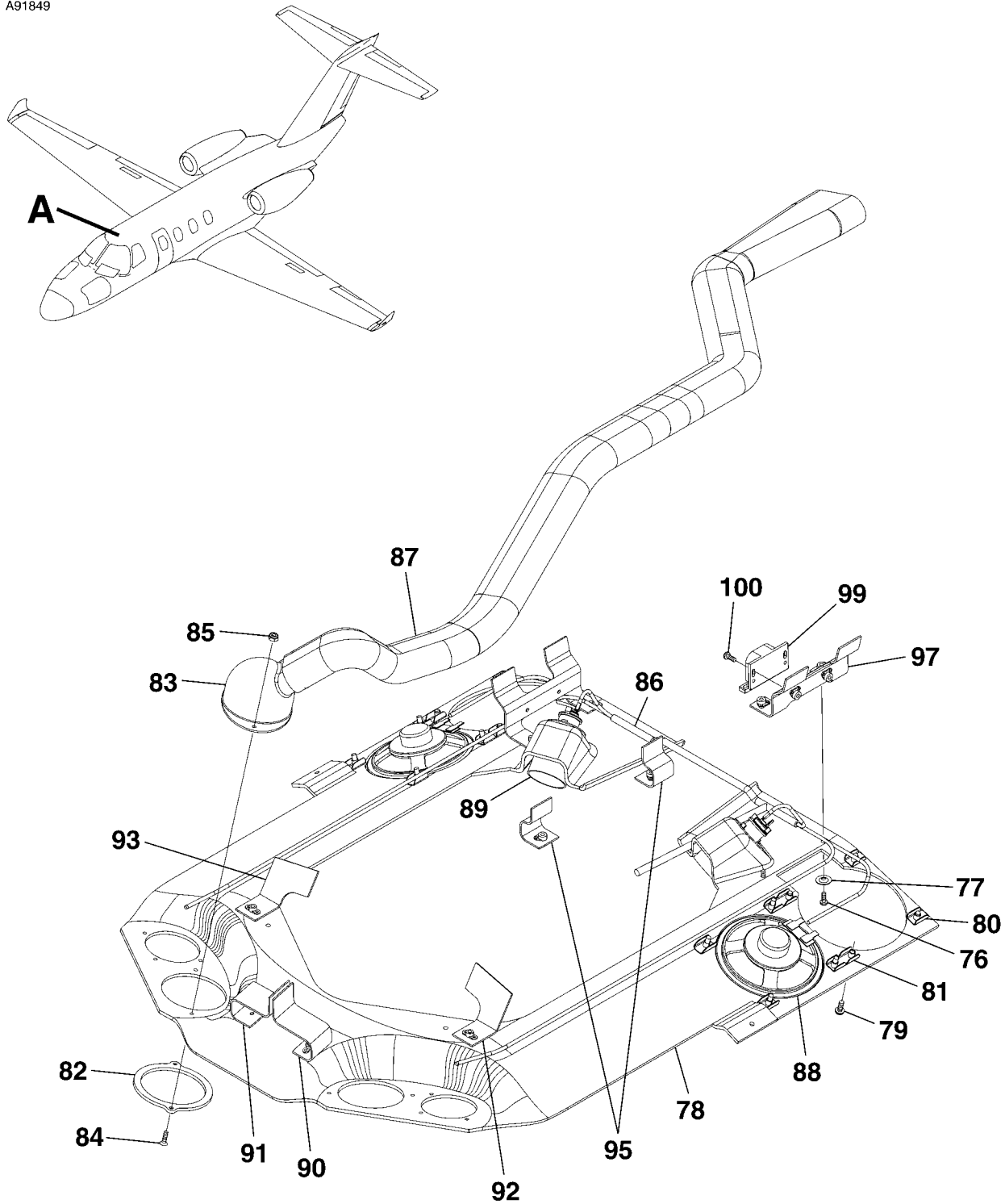
CESSNA®  
**MODEL 525 (SERIALS -0685 AND -0800 AND ON)**  
 ILLUSTRATED PARTS CATALOG

FIG ITEM	PART NUMBER	NOMENCLATURE	UNITS PER ASSY		
			1	2	3
03		OVERHEAD UPHOLSTERY AND TRIM - FLIGHT COMPARTMENT			RF
- 1	4711613-17	. OVERHEAD ASSY-PINSTRIPE REFER TO NOTE 1 FSO 4711613-25 . . . . .	0685	0685	NP R
			0800	0960	
- 1A	4711613-25	. OVERHEAD ASSY-PINSTRIPE REFER TO NOTE 1 . . . . .	0961	& ON	01 R
- 2	4711613-2	. OVERHEAD ASSY-WEIS REFER TO NOTE 1 FSO 4711613-22 . . . . .	0685	0685	NP R
			0800	0960	
- 2A	4711613-22	. OVERHEAD ASSY-WEIS REFER TO NOTE 1 . . . . .	0961	& ON	01 R
- 3	4711613-7	. OVERHEAD ASSY-BEIGE REFER TO NOTE 1 FSO 4711613-24 . . . . .	0685	0685	NP R
			0800	0960	
- 3A	4711613-24	. OVERHEAD ASSY-BEIGE REFER TO NOTE 1 . . . . .	0961	& ON	01 R
- 4	4711613-6	. OVERHEAD ASSY-MONTERREY REFER TO NOTE 1 FSO 4711613-23 . . . . .	0685	0685	NP R
			0800	0960	
- 4A	4711613-23	. OVERHEAD ASSY-MONTERREY REFER TO NOTE 1 . . . . .	0961	& ON	01 R
- 5	4711613-19	. OVERHEAD ASSY-SAVANNA REFER TO NOTE 1 FSO 4711613-26 . . . . .	0685	0685	NP R
			0800	0960	
- 5A	4711613-26	. OVERHEAD ASSY-SAVANNA REFER TO NOTE 1 . . . . .	0961	& ON	01 R
6	4711613-18	. . COVER-PINSTRIPE REFER TO NOTE 1 . . . . .			01
- 7	4711613-9	. . COVER-WEIS REFER TO NOTE 1 . . . . .			01
- 8	4711613-14	. . COVER-BEIGE REFER TO NOTE 1 . . . . .			01
- 9	4711613-13	. . COVER-MONTERREY REFER TO NOTE 1 . . . . .			01
- 10	4711613-20	. . COVER-SAVANNA REFER TO NOTE 1 . . . . .			01
11	4711613-15	. . SPEAKER CLOSEOUT . . . . .			02
12	4711613-16	. . BLANKET-INSULATION . . . . .			01
13	4717218-26	. . LENS . . . . .			02
14	4717218-3	. . OVERHEAD MOUNT PLATE ASSY . . . . .			02
- 15	CHS632-6	. . . . . STUD . . . . . V56987			02
16	4711613-21	. . BARRIER . . . . .	0961	& ON	01 R
17	MS21044N06	. . NUT . . . . .			04 R
18	AV267404	. . AIR VALVE . . . . . VBASC			02 R
19	4717215-19	. . FOAM RING . . . . .	0961	& ON	02 R

NOTE 1—WHEN ORDERING THIS PART, PROVIDE AIRPLANE MODEL AND SERIAL NUMBER.

CESSNA®  
MODEL 525 (SERIALS -0685 AND -0800 AND ON)  
ILLUSTRATED PARTS CATALOG

A91849



**DETAIL A**

OVERHEAD UPHOLSTERY AND TRIM - FLIGHT COMPARTMENT  
FIGURE 03 (SHEET 2)

6310T1168  
A6319T1627

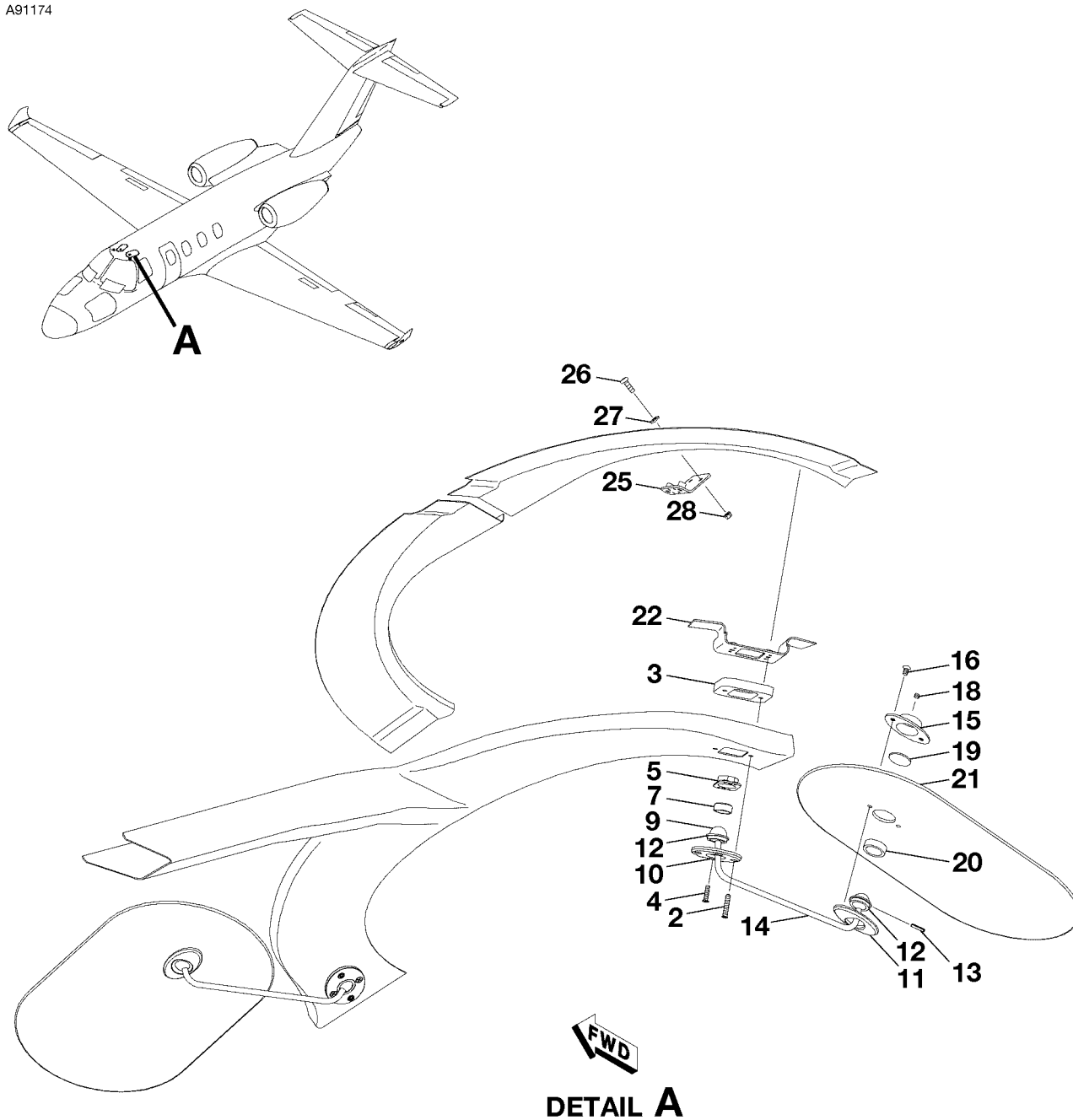
CESSNA®  
**MODEL 525 (SERIALS -0685 AND -0800 AND ON)**  
 ILLUSTRATED PARTS CATALOG

FIG ITEM	PART NUMBER	NOMENCLATURE	UNITS PER ASSY		
			1	2	3
03					
- 75	4711612-6	. OVERHEAD SKELETON ASSY-FLIGHT COMPARTMENT . . . . .	0641	0893	01 R
- 75A	4711612-10	. OVERHEAD SKELETON ASSY-FLIGHT COMPARTMENT . . . . .	0894	0972	01 R
- 75B	4711612-11	. OVERHEAD SKELETON ASSY-FLIGHT COMPARTMENT . . . . . ATTACHING PARTS	0973	& ON	01 R
76	MS35206-228	. SCREW . . . . .			08
77	NAS1169C8	. WASHER . . . . . —*—			08
78	4711612-2	. SKELETON . . . . .	0641	0893	01 R
- 78A	4711612-9	. SKELETON . . . . .	0894	& ON	01 R
79	MS35206-244	. SCREW . . . . .	0641	0893	08 R
80	CB6011CR08CRC1P	. NUTPLATE . . . . . V66530			08
81	CB6012CR08CRC1-7	. NUTPLATE . . . . . V66530	0641	0893	04 R
82	MN8047-1	. MOUNTING NUT . . . . . V1XE65			02 R
83	PC7094-1	. PLENUM CAP . . . . . V1XE65 ATTACHING PARTS			02 R
84	MS24693S28	. SCREW . . . . .			02 R
85	MS21044N06	. NUT . . . . . —*—			02 R
86	4798102-2	. WIRE BUNDLE ASSY-COCKPIT OVERHEAD . . . . .	0641	0972	01 R
- 86A	4798123-1	. WIRE BUNDLE ASSY-COCKPIT OVERHEAD . . . . .	0973	& ON	01 R
87		. DUCT REFER TO 21-21-01 FIGURE 01 . . . . .			RF R
88		. SPEAKER REFER TO 23-50-00 FIGURE 01 . . . . .			RF R
89		. CHART LIGHT REFER TO 33-10-01 FIGURE 01 . . . . .			RF R
90	4717222-9	. MOUNT BRACKET ASSY-LH FWD . . . . .			01 R
91	4717222-10	. MOUNT BRACKET ASSY-RH FWD . . . . .			01 R
92	4717222-11	. MOUNT BRACKET ASSY-LH FWD OUTBOARD . . . . .			01 R
93	4717222-12	. MOUNT BRACKET ASSY-RH FWD OUTBOARD . . . . .			01 R
- 94	MS21069-06	. NUTPLATE . . . . .			01 R
95	4717222-6	. BRACKET ASSY-PHONE MOUNT . . . . .	0800	0936	02 R
- 96	MS21073-06	. NUTPLATE . . . . .			01 R
97	4717222-8	. BRACKET ASSY-REAR MOUNT . . . . .			02 R
- 98	MS21073-06	. NUTPLATE . . . . .			04 R
99	C3-203	. GRABBER DOOR CATCH . . . . . V94222 ATTACHING PARTS			02 R
100	MS35206-228	. SCREW . . . . . —*—			02 R

- ITEM NOT ILLUSTRATED

CESSNA®  
MODEL 525 (SERIALS -0685 AND -0800 AND ON)  
ILLUSTRATED PARTS CATALOG

A91174



TRACK SUNVISOR INSTALLATION  
FIGURE 01 (SHEET 1)

6310T1168  
A6319T1573

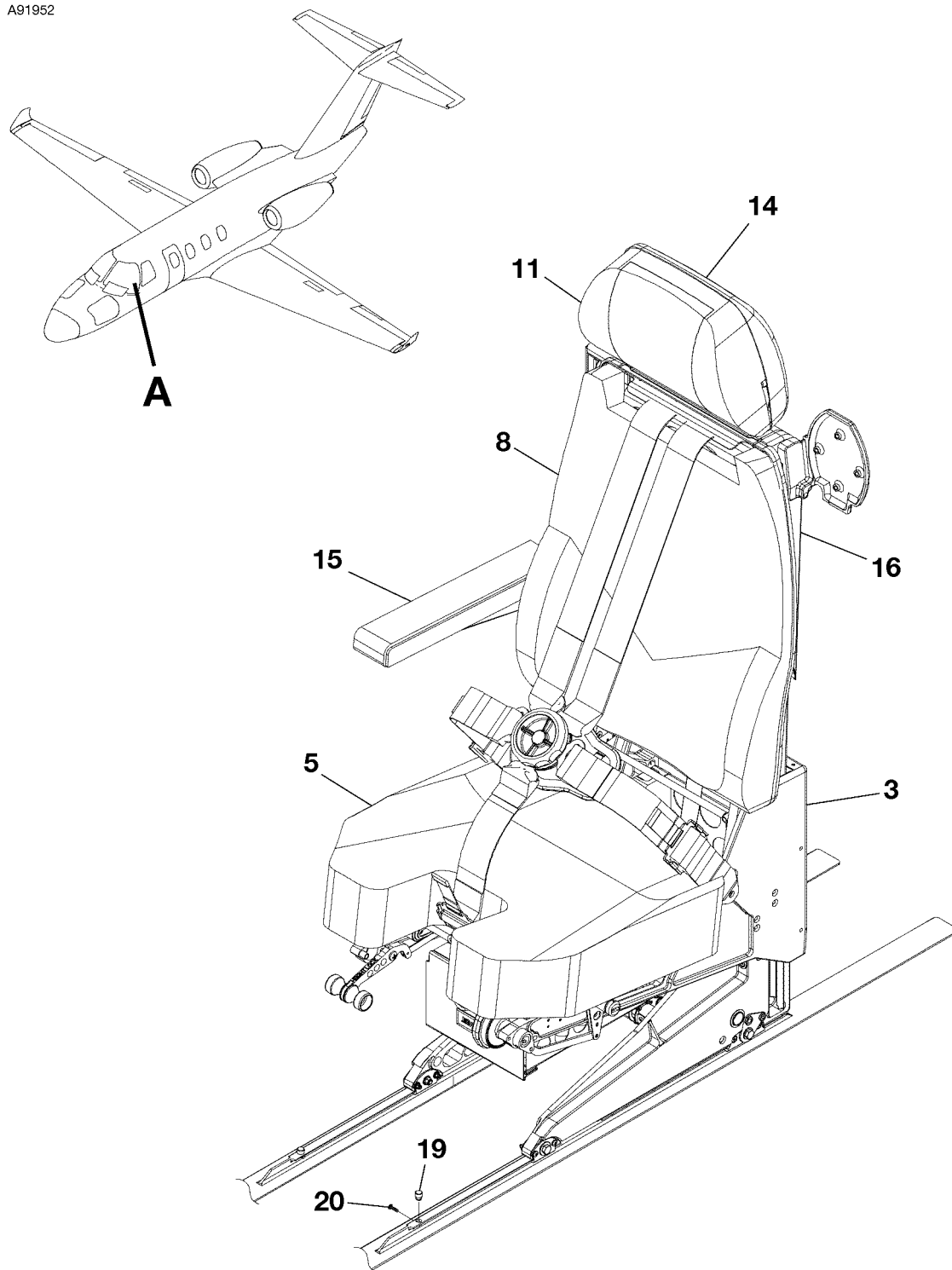
CESSNA®  
**MODEL 525 (SERIALS -0685 AND -0800 AND ON)**  
 ILLUSTRATED PARTS CATALOG

FIG ITEM	PART NUMBER	NOMENCLATURE	UNITS
			PER ASSY
		1 2 3 4 5 6 7	
01		TRACK SUNVISOR INSTALLATION	RF
- 1	4710183-3	. SUNVISOR ASSY-SWING ARM . . . . .	02
		ATTACHING PARTS	
2	NAS5320E3-P11	. SCREW . . . . .	02
3	4711952-7	. SPACER . . . . .	01
		—*—	
4	MS24694-C8	. . SCREW . . . . .	02
5	4319060-48	. . PIVOT HOUSING ASSY . . . . .	01
- 6	MS21070L08	. . . NUTPLATE . . . . .	02
7	4319060-63	. . PIVOT HOUSING INSERT . . . . .	01
- 8	4319060-55	. . SUNVISOR ROD ASSY . . . . .	01
9	4319060-47	. . . SUNVISOR BALL . . . . .	02
10	4319060-57	. . . PIVOT PLATE-FOUR HOLE . . . . .	01
11	4319060-34	. . . PIVOT PLATE-TWO HOLE . . . . .	01
12	4319060-60	. . . SUNVISOR ROD ASSY INSERT . . . . .	02
13	NAS561C4-10	. . . PIN . . . . .	02
14	4319060-46	. . . SUNVISOR ROD . . . . .	01
15	4319060-56	. . SUNVISOR BACKPLATE ASSY . . . . .	01
		ATTACHING PARTS	
16	MS24694-C47	. . SCREW . . . . .	02
		—*—	
- 17	4319060-59	. . . BACKPLATE . . . . .	01
18	NAS1081C3A2	. . . SETSCREW . . . . .	01
19	4319060-52	. . HOUSING SPACER . . . . .	01
20	4319060-64	. . SUNVISOR BACKPLATE INSERT . . . . .	01
21	4710183-2	. . SUNVISOR . . . . .	01
22	4711952-3	. BRACKET ASSY-LH SUNVISOR . . . . .	01
- 23	4711952-4	. BRACKET ASSY-RH SUNVISOR . . . . .	01
- 24	MS21075L3N	. . NUTPLATE . . . . .	02
25	4717234-9	. BRACKET ASSY . . . . .	02
		ATTACHING PARTS	
26	MS27039-1-09	. SCREW . . . . .	02
27	NAS1149F0363P	. WASHER . . . . .	02
28	MS21042-3	. NUT . . . . .	02
		—*—	
- 29	MS21071L3	. . NUTPLATE . . . . .	02

- ITEM NOT ILLUSTRATED

CESSNA®  
MODEL 525 (SERIALS -0685 AND -0800 AND ON)  
ILLUSTRATED PARTS CATALOG

A91952



**DETAIL A**

CREW SEAT INSTALLATION  
FIGURE 01 (SHEET 1)

6310T1168  
A6319T1634

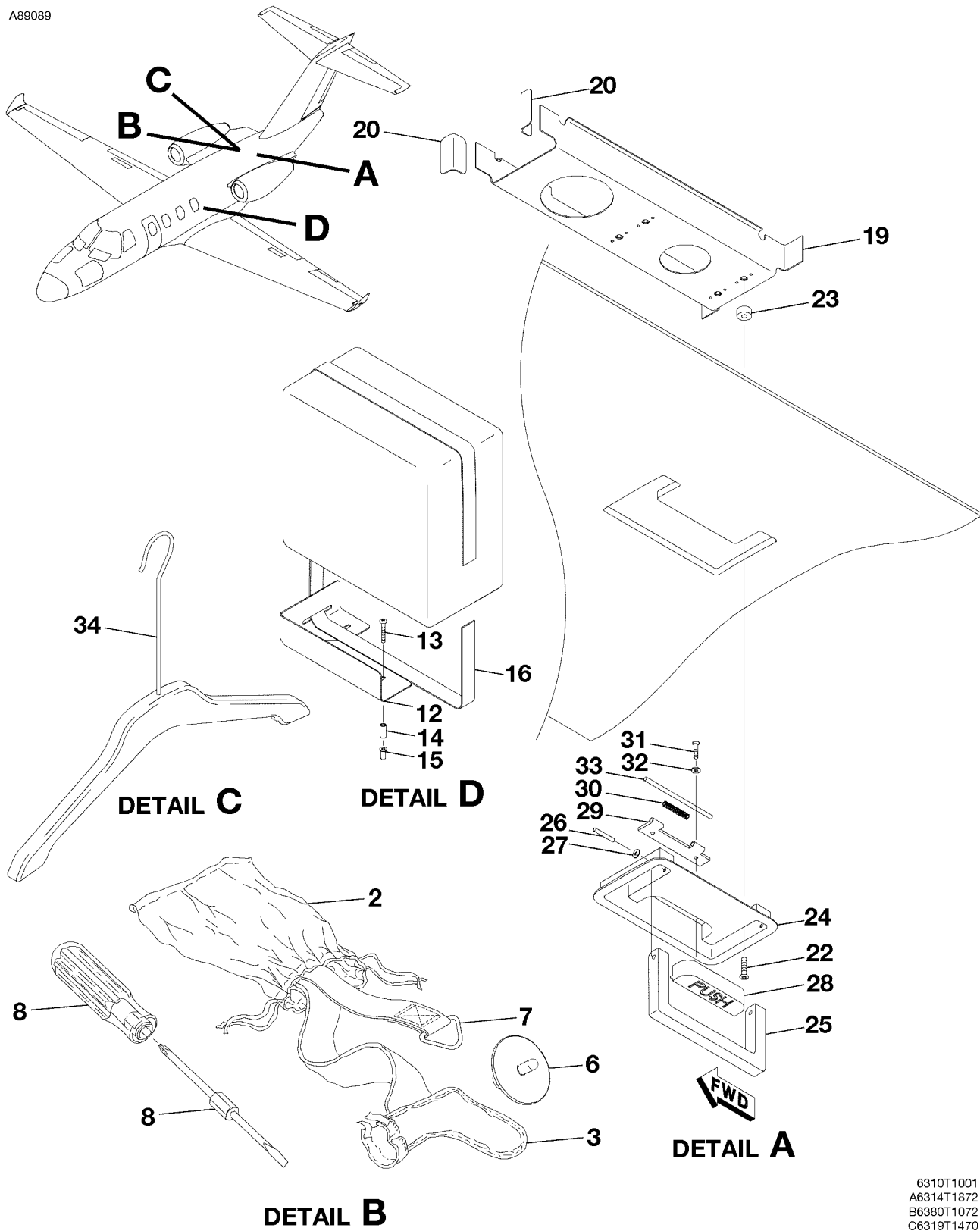
CESSNA®  
**MODEL 525 (SERIALS -0685 AND -0800 AND ON)**  
 ILLUSTRATED PARTS CATALOG

FIG ITEM	PART NUMBER	NOMENCLATURE	1 2 3 4 5 6 7							UNITS PER ASSY
01		CREW SEAT INSTALLATION								RF
-										
- 1	4710089-13	. CREW SEAT ASSY-LH REFER TO NOTE 1 . . . . .								01 R
- 2	4710089-14	. CREW SEAT ASSY-RH . . . . .								01
- 3	9919106-9	. . CREW SEAT-LH USED WITH OXYGEN MASK . . . . .								01
- 4	9919106-10	. . CREW SEAT-RH USED WITH OXYGEN MASK . . . . .								01
- 5	4710089-15	. . BOTTOM CUSHION COVER ASSY . . . . .								01
- 6	4710089-16	. . . COVER . . . . .								01
- 7	4710089-17	. . . PAD . . . . .								01
- 8	4711788-13	. . BACK CUSHION COVER ASSY . . . . .								01
- 9	4711788-4	. . . COVER . . . . .								01
- 10	4711788-10	. . . BACK COVER PAD . . . . .								01
- 11	4710089-3	. . HEADREST COVER ASSY . . . . .								01
- 12	4710089-4	. . . COVER . . . . .								01
- 13	4710089-5	. . . PAD . . . . .								01
- 14	4710089-6	. . HEADREST BACK COVER . . . . .								01
- 15	4711788-7	. . ARMREST COVER . . . . .								01
- 16	4710089-10	. . BACK POCKET ASSY . . . . .								01
- 17	4710089-12	. . . STIFFENER . . . . .								02
- 18	4710089-11	. . . BACK POCKET . . . . .								01
- 19	4711956-5	. SEAT STOP PIN REFER TO NOTE 1 . . . . .								06 R
- 20	MS21295-20	. SCREW REFER TO NOTE 1 . . . . .								06 R

NOTE 1—USED ON LUXEMBOURG, DANISH, ISLE OF MAN, BRITISH, PORTUGUESE, GERMAN, AUSTRALIAN, ITALIAN, SERBIA, FRENCH, POLISH, SWISS, AND CZECH CERTIFIED AIRPLANES. R

CESSNA®  
**MODEL 525 (SERIALS -0685 AND -0800 AND ON)**  
 ILLUSTRATED PARTS CATALOG

A89089



**DETAIL B**

CABIN AND MISCELLANEOUS EQUIPMENT  
 FIGURE 01 (SHEET 1)

6310T1001  
 A6314T1872  
 B6380T1072  
 C6319T1470



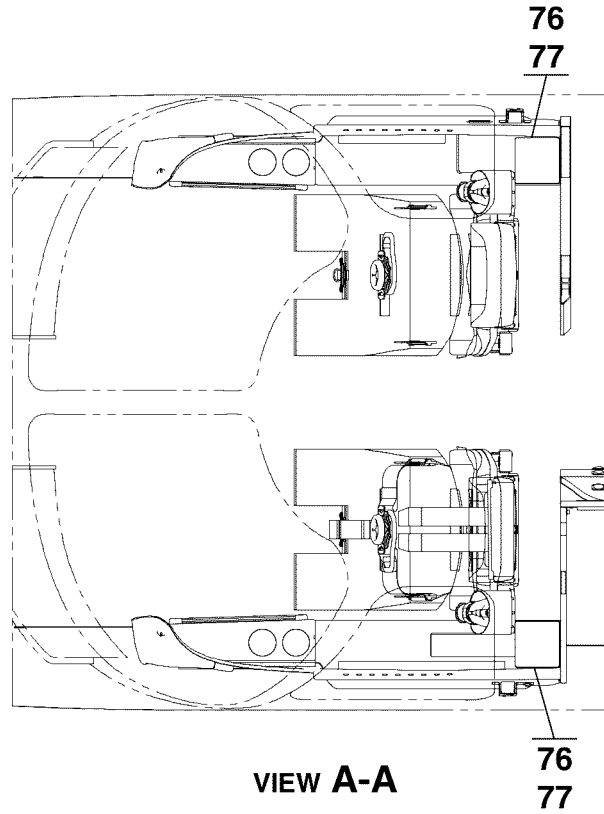
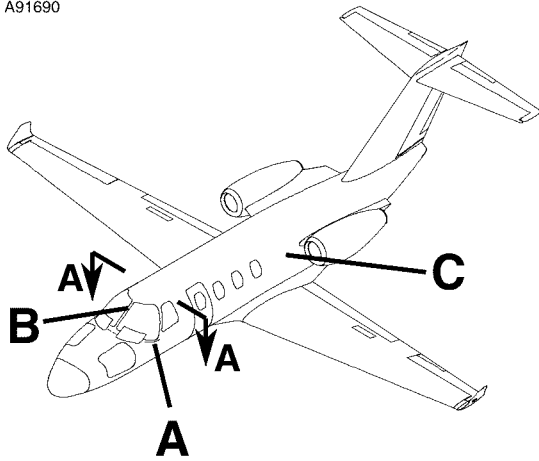
CESSNA®  
**MODEL 525 (SERIALS -0685 AND -0800 AND ON)**  
 ILLUSTRATED PARTS CATALOG

FIG ITEM	PART NUMBER	NOMENCLATURE	UNITS	
			PER	ASSY
01		CABIN AND MISCELLANEOUS EQUIPMENT		RF
-				
- 1	WP10905	. SOFT ENGINE KIT . . . . . V20748		01
2	5514155-2	. BAG ASSY . . . . .		02
3	WP81338-2	. PITOT TUBE COVER . . . . . V20748		01
- 4	7101-5	. WICK COVER . . . . . V92092		01
- 5	7101-6	. WICK COVER . . . . . V92092		06
6	5520151-1	. JACK PAD . . . . .		01
7	5514155-4	. STRAP-TOW . . . . .		02
8	CR2	. SCREWDRIVER . . . . . VXEHT		01
- 9	700-650-003L	. DRAIN CUP ASSY . . . . . V0A4W2		01
- 10	4316002-31	. PLACARD-FIRST AID KIT . . . . .		01
- 11	502756	. FIRST AID KIT-MEDAIRE . . . . . V1QGN5		01
12	4717439-4	. BRACKET-FIRST AID KIT . . . . .		01
		ATTACHING PARTS		
13	MS27039-1-21	. SCREW . . . . .		03
- 13A	MS27039-1-40	. SCREW-USED WITH POCKET DOOR . . . . . 0839	& ON	03
14	NAS43DD3-50FC	. SPACER . . . . .		03
- 14A	NAS43DD3-128N	. SPACER-USED WITH POCKET DOOR . . . . . 0839	& ON	03
15	NAS1329A3K180	. NUT . . . . .		02
		—*—		
16	4717439-3	. STRAP . . . . .		01
- 17	4711918-11	. THROW RUG-THRESHOLD . . . . . 0800	0885	NP
- 17A	4711918-20	. THROW RUG-THRESHOLD . . . . . 0886	& ON	01
- 18	4711918-12	. THROW RUG-THRESHOLD USED WITH REFRESHMENT CENTER . . . . . 0800	0885	NP
- 18A	4711918-21	. THROW RUG-THRESHOLD USED WITH REFRESHMENT CENTER . . . . . 0886	& ON	01
19	4711899-18	. INTERCOSTAL ASSY-COAT ROD . . . . .		01
20	6319566-12	. CLIP . . . . .		02
- 21	6319086-2	. COAT ROD ASSY-FLUSH . . . . .		01
		ATTACHING PARTS		
22	MS24694-S9	. SCREW . . . . .		04
23	4819198-11	. SPACER . . . . .		04
		—*—		
24	6319086-4	. CASING ASSY . . . . .		01
25	6319086-8	. ROD . . . . .		01
		ATTACHING PARTS		
26	MS16562-36	. PIN . . . . .		02
27	NAS1149FN432P	. WASHER . . . . .		04
		—*—		
28	6319086-9	. CANTILEVER BUTTON . . . . .		01
29	6319086-11	. HINGE HALF . . . . .		01
		ATTACHING PARTS		
30	10730-5	. SPRING . . . . . V4W953		01
31	MS35206-229	. SCREW . . . . .		02
32	MS35338-41	. LOCK WASHER . . . . .		02
33	MS20253P2-300	. HINGE PIN . . . . .		01
		—*—		
34	10446-3	. HANGER . . . . . V4W953		06

- ITEM NOT ILLUSTRATED

CESSNA®  
**MODEL 525 (SERIALS -0685 AND -0800 AND ON)**  
 ILLUSTRATED PARTS CATALOG

A91690



**92**

**DETAIL C**

**TANK ASSEMBLY**

**FRONT SIDE**

**BACK SIDE**

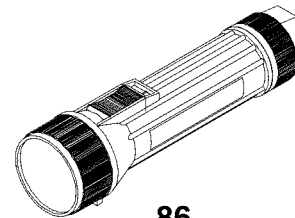
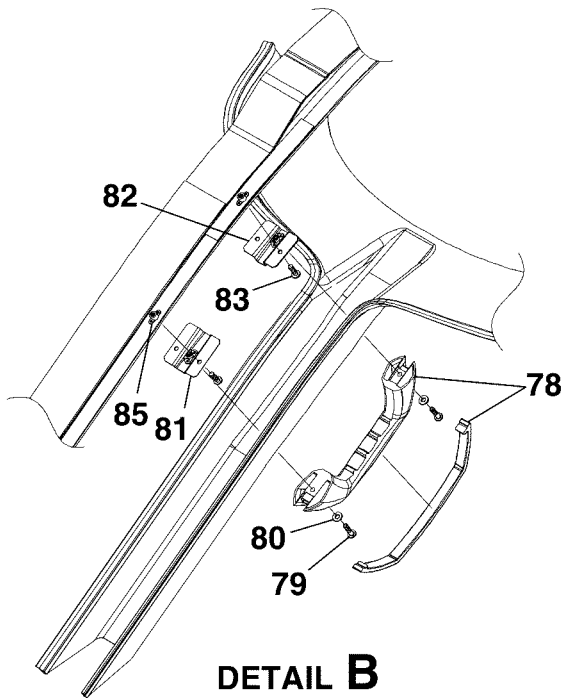
**A. TANK IDENTIFICATION**

**B. TANK CLEANING**

**C. TANK PRECHARGE**

**D. TANK INSTALLATION**

**TOOLS AND EQUIPMENT**



**86**  
**DETAIL A**

**DETAIL B**

**CABIN AND MISCELLANEOUS EQUIPMENT**  
**FIGURE 01 (SHEET 2)**

6310T1168  
 A6380T1073  
 B6319T1625  
 AA6314T1874

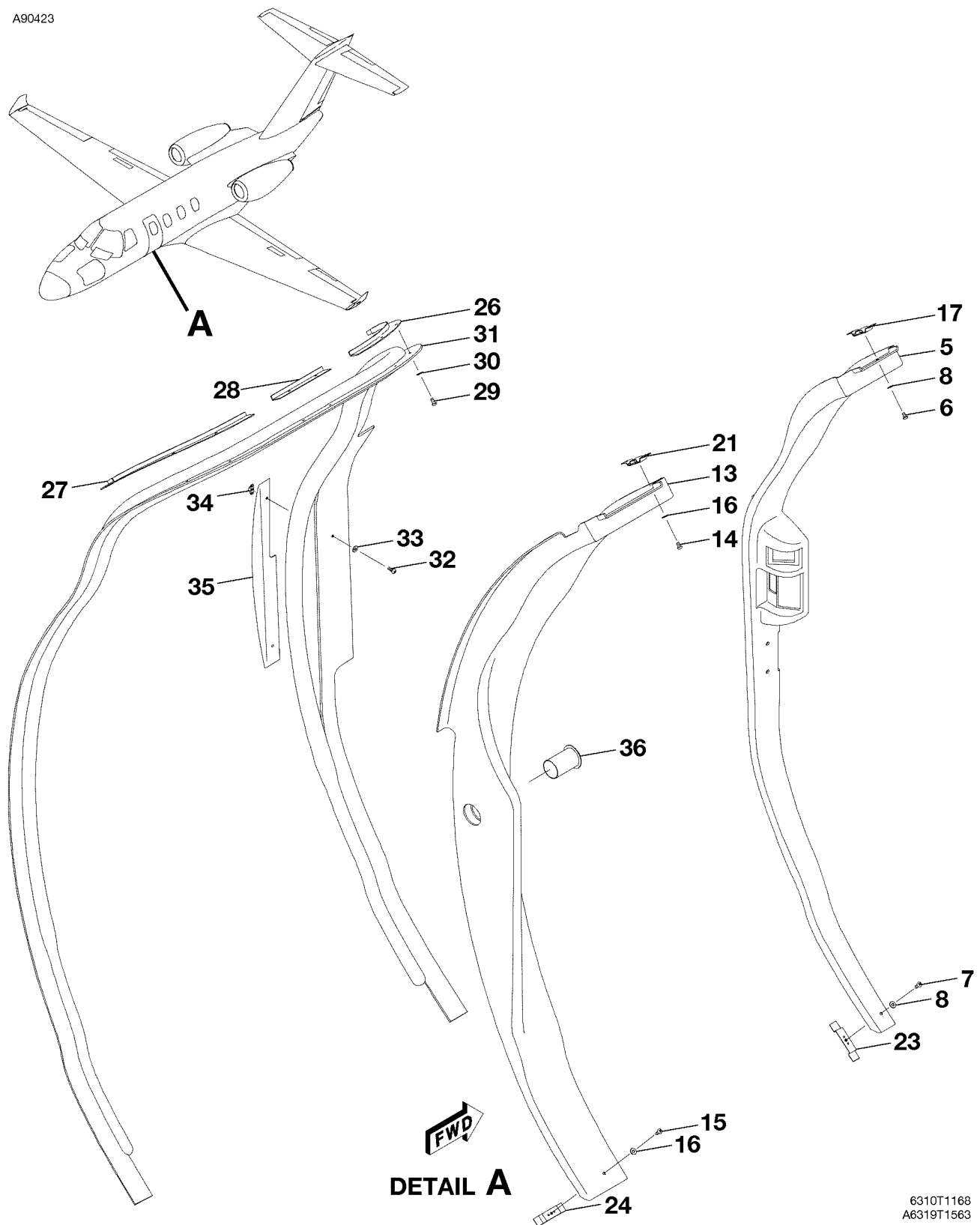
CESSNA®  
**MODEL 525 (SERIALS -0685 AND -0800 AND ON)**  
 ILLUSTRATED PARTS CATALOG

FIG ITEM	PART NUMBER	NOMENCLATURE	1 2 3 4 5 6 7							UNITS PER ASSY
01										
- 75	118077	. GOGGLES . . . . .							V02217	02
76	6514475-3	. GOGGLES STORAGE CASE . . . . .								02
77	6514472-12	. GOGGLES STORAGE CASE-OPTIONAL . . . . .						0900	& ON	02 R
78	9919155-4	. COCKPIT ASSIST HANDLE ASSY . . . . .								01 R
		ATTACHING PARTS								
79	MS27039C1-12	. SCREW . . . . .								02 R
80	NAS1149C0332R	. WASHER . . . . .								02 R
		—*—								
81	4717235-5	. MOUNT PLATE ASSY . . . . .								01 R
82	4717235-8	. MOUNT PLATE ASSY-UPR . . . . .								01 R
		ATTACHING PARTS								
83	MS27039C1-10	. SCREW . . . . .								02 R
		—*—								
- 84	MS21075-3N	. . NUTPLATE . . . . .								01 R
85	MS21069L3	. NUTPLATE . . . . .								03 R
86	1259	. FLASHLIGHT . . . . .							VKANS	02 R
- 87	4711329-3	. THROW RUG-THRESHOLD . . . . .								02 R
- 88	4711518-13	. VINYL RUNNER-CENTER AISLE . . . . .								01 R
- 89	4711746-1	. VINYL RUNNER-WITH STRAPS . . . . .								01 R
- 90	4711981-1	. EXPANDED VINYL RUNNER-COCKPIT WITH STRAPS USED WITH LADDER . . . . .						0804	& ON	01 R
- 91	4711981-2	. EXPANDED VINYL RUNNER-WITH STRAPS USED WITH AIRSTAIR . . . . .						0804	& ON	01 R
92	6319058-3	. BRIEFING CARD-TOILET SERVICING . . . . .								01 R

- ITEM NOT ILLUSTRATED

CESSNA®  
MODEL 525 (SERIALS -0685 AND -0800 AND ON)  
ILLUSTRATED PARTS CATALOG

A90423



**DETAIL A**  
CABIN DOOR FRAME TRIM  
FIGURE 02 (SHEET 1)

6310T1168  
A6319T1563

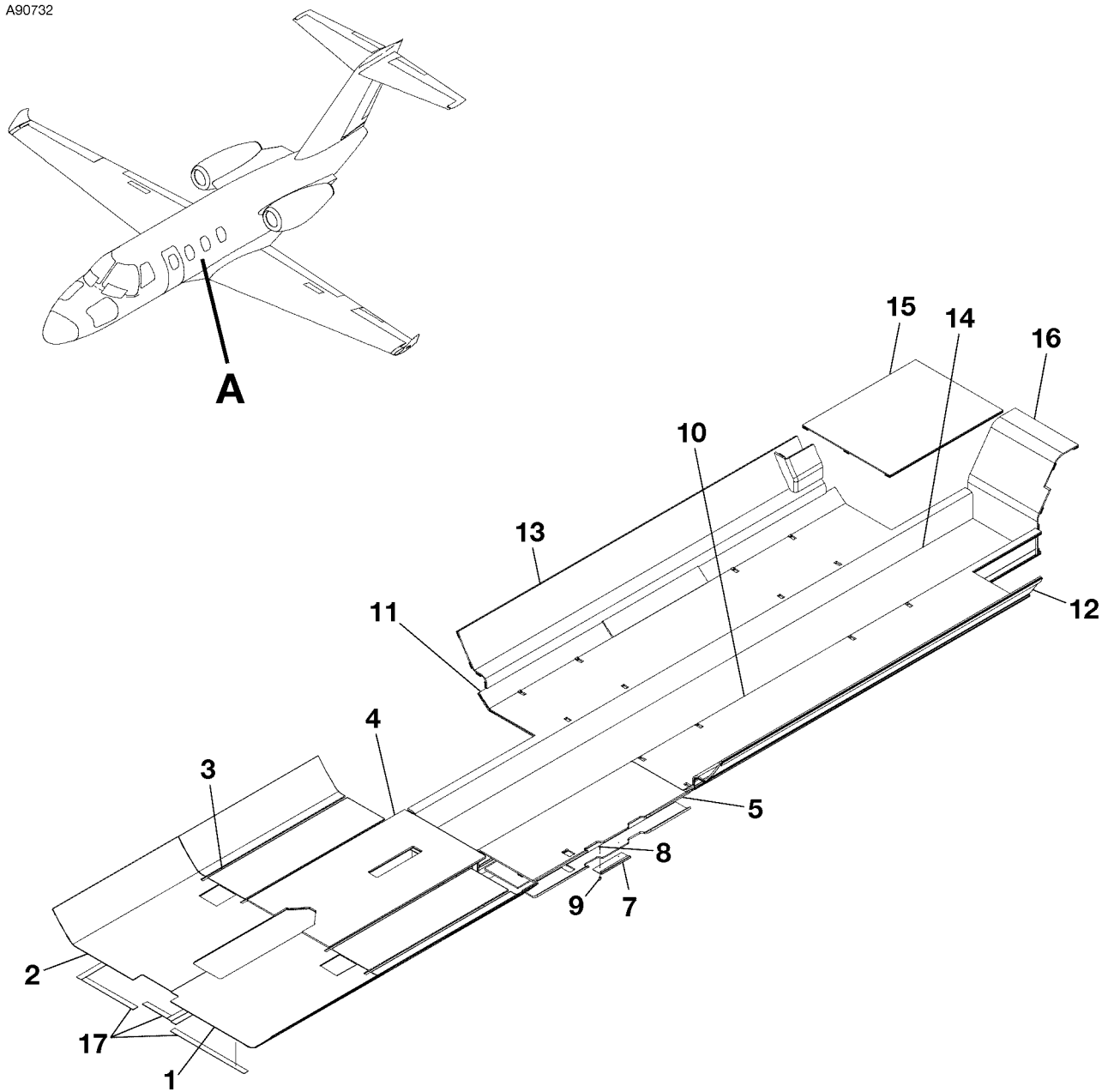
CESSNA®  
**MODEL 525 (SERIALS -0685 AND -0800 AND ON)**  
 ILLUSTRATED PARTS CATALOG

FIG ITEM	PART NUMBER	NOMENCLATURE	UNITS
			PER ASSY
02		CABIN DOOR FRAME TRIM	RF
-			
- 1	4711902-16	. TRIM ASSY-FWD WEIS REFER TO NOTE 1 . . . . .	01
- 2	4711902-18	. TRIM ASSY-FWD MONTEREY REFER TO NOTE 1 . . . . .	01
- 3	4711902-19	. TRIM ASSY-FWD BEIGE REFER TO NOTE 1 . . . . .	01
- 4	4711902-20	. TRIM ASSY-FWD PINSTRIPE REFER TO NOTE 1 . . . . .	01
5	4711902-35	. TRIM ASSY-FWD SAVANNA REFER TO NOTE 1 . . . . .	01
		ATTACHING PARTS	
6	MS35206-226	. SCREW . . . . .	01
7	MS35206-228	. SCREW . . . . .	01
8	NAS1149FN616P	. WASHER . . . . .	02
		—*—	
- 9	4711902-8	. TRIM-AFT WEIS REFER TO NOTE 1 . . . . .	01
- 10	4711902-10	. TRIM-AFT MONTEREY REFER TO NOTE 1 . . . . .	01
- 11	4711902-11	. TRIM-AFT BEIGE REFER TO NOTE 1 . . . . .	01
- 12	4711902-12	. TRIM-AFT PINSTRIPE REFER TO NOTE 1 . . . . .	01
- 13	4711902-34	. TRIM-AFT SAVANNA REFER TO NOTE 1 . . . . .	01
		ATTACHING PARTS	
14	MS35206-226	. SCREW . . . . .	02
15	MS35206-228	. SCREW . . . . .	01
16	NAS1149FN616P	. WASHER . . . . .	03
		—*—	
17	4811889-12	. BRACKET ASSY-UPR . . . . .	07
- 18	MS21069L06K	. . NUTPLATE . . . . .	01
- 19	4811889-14	. BRACKET . . . . .	01
- 20	4811889-13	. CHANNEL . . . . .	01
21	4811889-7	. BRACKET ASSY-UPR CTR . . . . .	01
- 22	MS21071L06K	. . NUTPLATE . . . . .	02
23	4711065-6	. BRACKET ASSY-FWD LWR . . . . .	01
24	4711065-7	. BRACKET ASSY-AFT LWR . . . . .	01
- 25	MS21069L06	. . NUTPLATE . . . . .	01
26	4811889-25	. TRIM-FWD LINTEL . . . . .	01
27	4811889-26	. TRIM-AFT LINTEL . . . . .	01
28	4811889-27	. TRIM-CTR LINTEL . . . . .	01
		ATTACHING PARTS	
29	MS35206-227	. SCREW . . . . .	02
30	NAS1149FN616P	. WASHER . . . . .	02
		—*—	
31	6319155-1	. WINDLACE . . . . .	01
		ATTACHING PARTS	
32	MS35206-228	. SCREW . . . . .	06
33	NAS1149FN616P	. WASHER . . . . .	06
34	MS21069L06	. NUTPLATE . . . . .	06
		—*—	
35	4711065-20	. STIFFENER . . . . .	01
36	4711902-13	. VENT TUBE ASSY . . . . .	01

NOTE 1—WHEN ORDERING THIS PART, PROVIDE AIRPLANE MODEL AND SERIAL NUMBER

CESSNA®  
MODEL 525 (SERIALS -0685 AND -0800 AND ON)  
ILLUSTRATED PARTS CATALOG

A90732



**DETAIL A**

CARPET - FUSELAGE SECTION  
FIGURE 03 (SHEET 1)

6310T1168  
A6319T1601

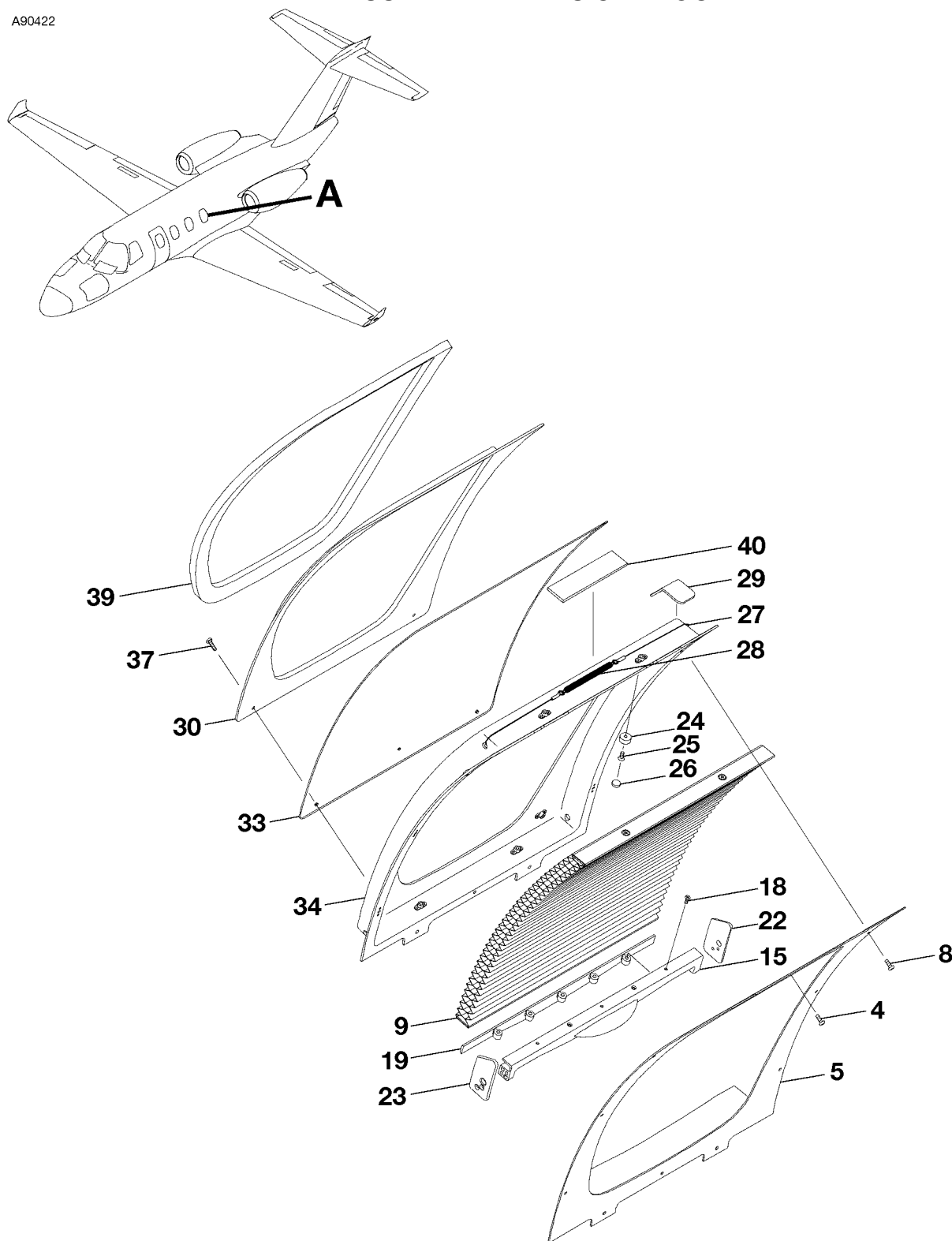
CESSNA®  
**MODEL 525 (SERIALS -0685 AND -0800 AND ON)**  
 ILLUSTRATED PARTS CATALOG

FIG ITEM	PART NUMBER	NOMENCLATURE	UNITS
			PER ASSY
03			
-		CARPET - FUSELAGE SECTION	RF
1	4711916-1	. FLOOR COVER ASSY-LH FWD FLIGHT COMPARTMENT REFER TO NOTE 1	01
2	4711916-2	. FLOOR COVER ASSY-RH FWD FLIGHT COMPARTMENT REFER TO NOTE 1	01
3	4711916-3	. FLOOR COVER ASSY-MID INBD FLIGHT COMPARTMENT REFER TO NOTE 1	02
4	4711916-5	. FLOOR COVER ASSY-AFT FLIGHT COMPARTMENT REFER TO NOTE 1	01
5	4711918-9	. CARPET ASSY-THRESHOLD REFER TO NOTE 1	01
- 6	4711918-10	. CARPET ASSY-THRESHOLD USED WITH REFRESHMENT CENTER REFER TO NOTE 1	01
7	4811483-1	. CARPET RETAINER ATTACHING PARTS	01
8	MS24693-S28	. SCREW	02
9	NAS1329A06-75	. NUT	02
10	4711918-1	. CARPET ASSY-LH CABIN REFER TO NOTE 1	01
11	4711918-2	. CARPET ASSY-RH CABIN REFER TO NOTE 1	01
12	4711918-3	. CARPET ASSY-LH SIDEWALL REFER TO NOTE 1	01
13	4711918-4	. CARPET ASSY-RH SIDEWALL REFER TO NOTE 1	01
14	4711918-6	. CARPET ASSY-CTR AISLE REFER TO NOTE 1	01
15	4711918-7	. CARPET ASSY-EQUIPMENT ENCLOSURE REFER TO NOTE 1	01
16	4711918-5	. CARPET ASSY-AFT CTR REFER TO NOTE 1	01
17	F990249	. FABRIC FASTENER-LOOP BKI	AR R
- 18	F990248	. FABRIC FASTENER-HOOK BKI	AR R

NOTE 1—WHEN ORDERING THIS PART, PROVIDE AIRPLANE MODEL AND SERIAL NUMBER

CESSNA®  
MODEL 525 (SERIALS -0685 AND -0800 AND ON)  
ILLUSTRATED PARTS CATALOG

A90422



**DETAIL A**

CABIN WINDOW SHADES  
FIGURE 01 (SHEET 1)

6310T1168  
A6319T1564



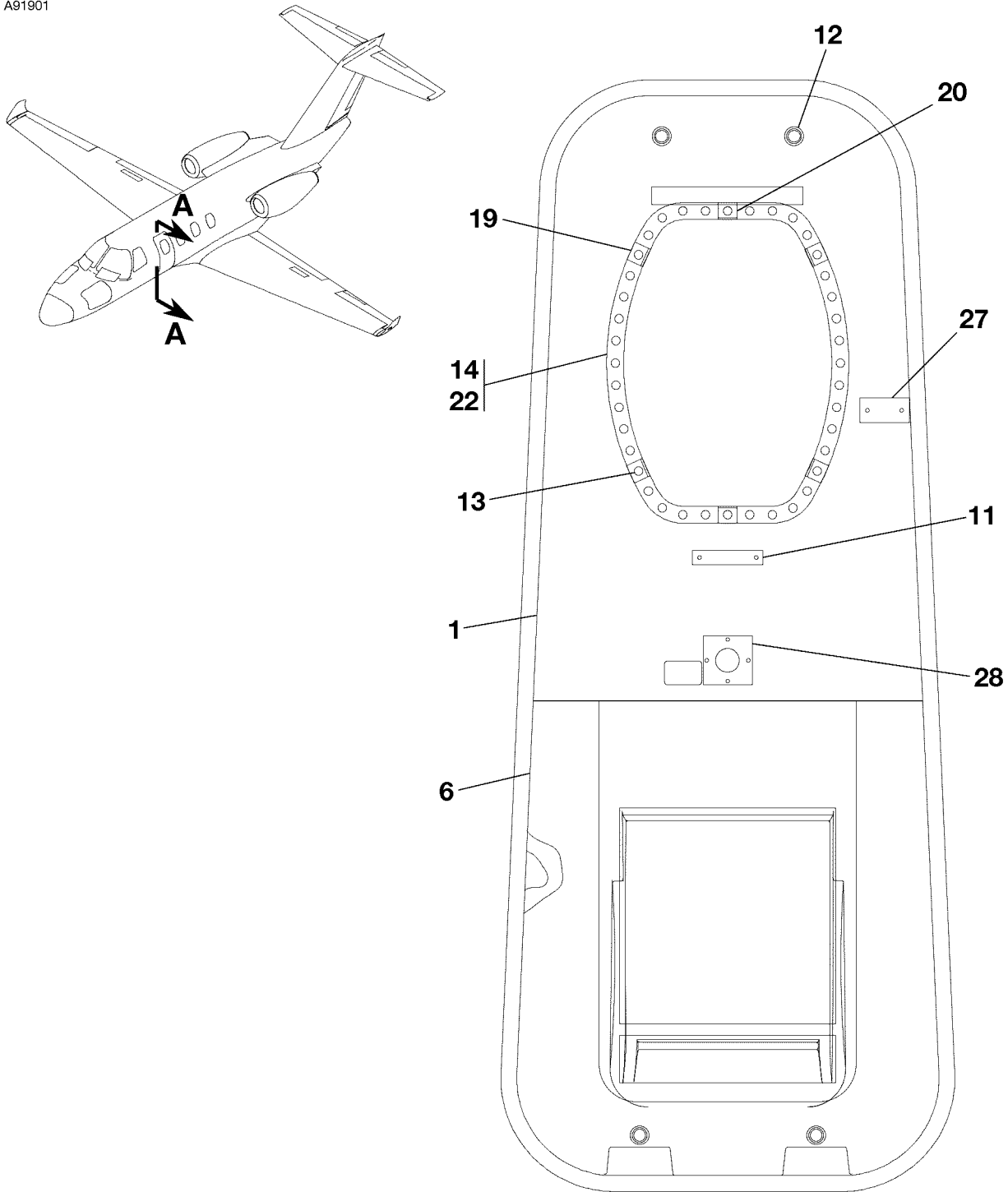
CESSNA®  
**MODEL 525 (SERIALS -0685 AND -0800 AND ON)**  
 ILLUSTRATED PARTS CATALOG

FIG ITEM	PART NUMBER	NOMENCLATURE	UNITS PER ASSY		
			1	2	3
01		CABIN WINDOW SHADES			RF
- 1	4711890-11	. WINDOW SHADE ASSY-PINSTRIPES . . . . .	0800	0974	07 R
- 1A	4711890-43	. WINDOW SHADE ASSY-PINSTRIPES . . . . .	0975	& ON	07 R
- 2	4711890-12	. WINDOW SHADE ASSY-BEIGE . . . . .	0800	0974	07 R
- 2A	4711890-46	. WINDOW SHADE ASSY-BEIGE . . . . .	0975	& ON	07 R
- 3	4711890-13	. WINDOW SHADE ASSY-SAVANNA . . . . .	0800	0974	07 R
- 3A	4711890-49	. WINDOW SHADE ASSY-SAVANNA . . . . .	0975	& ON	07 R
		ATTACHING PARTS			
4	MS27039-0808	. SCREW . . . . .			04
		—*—			
5	4711890-3	. SKIN ASSY-INBOARD PINSTRIPES . . . . .			01
- 6	4711890-25	. SKIN ASSY-INBOARD BEIGE . . . . .			01
- 7	4711890-36	. SKIN ASSY-INBOARD SAVANNA . . . . .			01
		ATTACHING PARTS			
8	MS35206-228	. SCREW . . . . .			10
		—*—			
9	4711890-17	. SHADE ASSY-PINSTRIPES . . . . .			01
- 10	4711618-51	. SHADE ASSY-BEIGE . . . . .	0800	0974	01 R
- 10A	4711618-52	. SHADE ASSY-BEIGE . . . . .	0975	& ON	01 R
- 11	4711890-33	. SHADE ASSY-SAVANNA . . . . .			01
- 12	4711890-14	. SHADE HANDLE ASSY-PINSTRIPES . . . . .			01
- 13	4711890-19	. SHADE HANDLE ASSY-BEIGE . . . . .			01
- 14	4711890-30	. SHADE HANDLE ASSY-SAVANNA . . . . .			01
15	4711890-15	. SHADE HANDLE-PINSTRIPES . . . . .			01
- 16	4711890-20	. SHADE HANDLE-BEIGE . . . . .			01
- 17	4711890-31	. SHADE HANDLE-SAVANNA . . . . .			01
		ATTACHING PARTS			
18	MS24693-S4	. SCREW . . . . .			09
		—*—			
19	4711890-16	. CLOSEOUT-PINSTRIPES . . . . .			01
- 20	4711890-21	. CLOSEOUT-BEIGE . . . . .			01
- 21	4711890-32	. CLOSEOUT-SAVANNA . . . . .			01
22	4711618-13	. SLIDE BLOCK . . . . .			01
23	4711618-14	. SLIDE BLOCK . . . . .			01
24	99K32.52	. STEEL CUP . . . . .		VLVTL	02
25	MS24693-S26	. SCREW . . . . .			02
26	99K32.03	. CIRCULAR MAGNET . . . . .		VLVTL	02
27	4711618-41	. CABLE ASSY . . . . .			02
28	MS24586C106	. SPRING . . . . .			01
29	4711618-61	. TRIM RING RETAINER . . . . .			02
30	4711618-59	. TRIM RING-PINSTRIPES . . . . .			01
- 31	4711890-24	. TRIM RING-BEIGE . . . . .			01
- 32	4711890-35	. TRIM RING-SAVANNA . . . . .			01
33	4711618-8	. DUST PANE . . . . .			01
34	4711890-7	. SHADE HOUSING ASSY-PINSTRIPES . . . . .	0800	0974	01 R
- 34A	4711890-42	. SHADE HOUSING ASSY-PINSTRIPES . . . . .	0975	& ON	01 R
- 35	4711890-28	. SHADE HOUSING ASSY-BEIGE . . . . .	0800	0974	01 R
- 35A	4711890-45	. SHADE HOUSING ASSY-BEIGE . . . . .	0975	& ON	01 R
- 36	4711890-39	. SHADE HOUSING ASSY-SAVANNA . . . . .	0800	0974	01 R
- 36A	4711890-48	. SHADE HOUSING ASSY-SAVANNA . . . . .	0975	& ON	01 R
		ATTACHING PARTS			
37	MS35206-230	. SCREW . . . . .			02
		—*—			
- 38	MS21069L06	. NUTPLATE . . . . .			14
39	4711618-15	. FOAM SEAL . . . . .			01
40	4711618-17	. FOAM PAD . . . . .			AR

- ITEM NOT ILLUSTRATED

CESSNA®  
MODEL 525 (SERIALS -0685 AND -0800 AND ON)  
ILLUSTRATED PARTS CATALOG

A91901



VIEW A-A

UPHOLSTERY AND TRIM - CABIN DOOR  
FIGURE 02 (SHEET 1)

6310T1168  
AA6319T1632

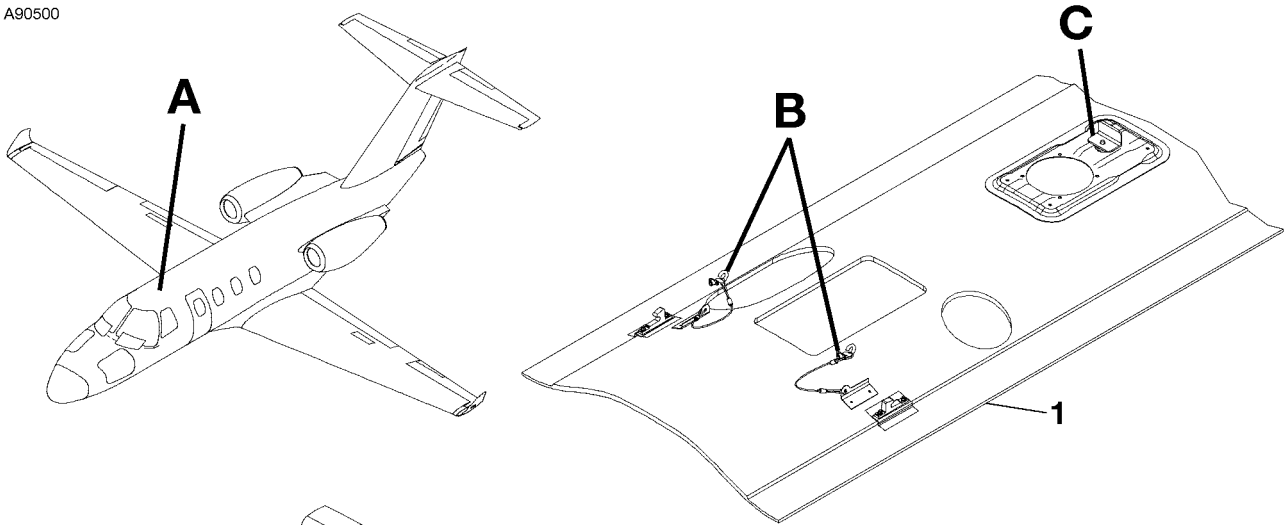
CESSNA®  
**MODEL 525 (SERIALS -0685 AND -0800 AND ON)**  
 ILLUSTRATED PARTS CATALOG

FIG ITEM	PART NUMBER	NOMENCLATURE	UNITS
			PER ASSY
02		UPHOLSTERY AND TRIM - CABIN DOOR	RF
-			
1	6519880-5	. COVER-UPR MONTEREY REFER TO NOTE 1 . . . . .	01
- 2	6519880-6	. COVER-UPR BEIGE REFER TO NOTE 1 . . . . .	01
- 3	6519880-22	. COVER-UPR WEIS REFER TO NOTE 1 . . . . .	01
- 4	6519880-34	. COVER-UPR PINSTRIPE REFER TO NOTE 1 . . . . .	01
- 5	6519880-37	. COVER-UPR SAVANNA REFER TO NOTE 1 . . . . .	01
6	6519880-11	. COVER-LWR MONTEREY REFER TO NOTE 1 . . . . .	01
- 7	6519880-12	. COVER-LWR BEIGE REFER TO NOTE 1 . . . . .	01
- 8	6519880-26	. COVER-LWR WEIS REFER TO NOTE 1 . . . . .	01
- 9	6519880-35	. COVER-LWR PINSTRIPE REFER TO NOTE 1 . . . . .	01
- 10	6519880-38	. COVER-LWR SAVANNA REFER TO NOTE 1 . . . . .	01
11	6519447-4	. SPACER . . . . .	01
12	5514776-41	. WINDOW ASSY . . . . .	04
13	AN525-832R7	. SCREW . . . . .	06
14	6519880-17	. WINDOW TRIM-OUTER MONTEREY REFER TO NOTE 1 . . . . .	01
- 15	6519880-18	. WINDOW TRIM-OUTER BEIGE REFER TO NOTE 1 . . . . .	01
- 16	6519880-30	. WINDOW TRIM-OUTER WEIS REFER TO NOTE 1 . . . . .	01
- 17	6519880-36	. WINDOW TRIM-OUTER PINSTRIPE REFER TO NOTE 1 . . . . .	01
- 18	6519880-39	. WINDOW TRIM-OUTER SAVANNA REFER TO NOTE 1 . . . . .	01
19	5514776-95	. ZEE ASSY . . . . .	05
20	5514776-96	. ZEE ASSY . . . . .	01
- 21	MS21069L08	. NUTPLATE . . . . .	01
22	6519881-11	. EDGE TRIM-MONTEREY REFER TO NOTE 1 . . . . .	AR
- 23	6519881-12	. EDGE TRIM-BEIGE REFER TO NOTE 1 . . . . .	AR
- 24	6519881-17	. EDGE TRIM-WEIS REFER TO NOTE 1 . . . . .	AR
- 25	6519881-9	. EDGE TRIM-PINSTRIPE REFER TO NOTE 1 . . . . .	AR
- 26	6519881-23	. EDGE TRIM-SAVANNA REFER TO NOTE 1 . . . . .	AR
27	5514776-17	. SPACER . . . . .	01
28	6519447-3	. SPACER . . . . .	01

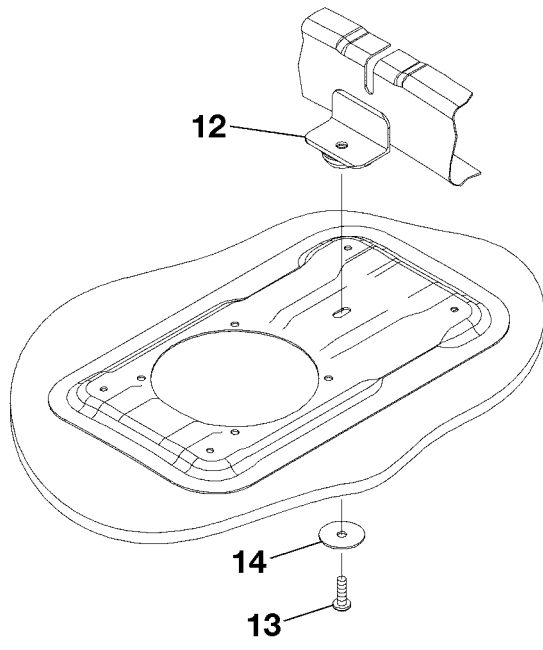
NOTE 1—WHEN ORDERING THIS PART, PROVIDE AIRPLANE MODEL AND SERIAL NUMBER

CESSNA®  
**MODEL 525 (SERIALS -0685 AND -0800 AND ON)**  
 ILLUSTRATED PARTS CATALOG

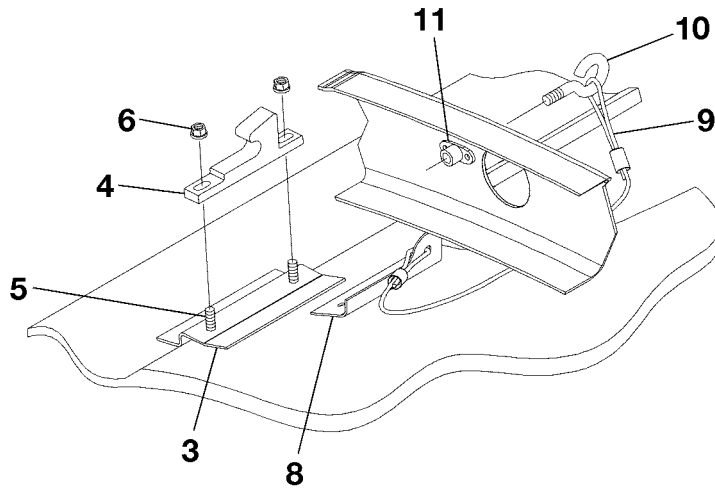
A90500



**DETAIL A**



**DETAIL C**



**DETAIL B**  
 (Typical)

6310T1168  
 A6311T1226  
 B6311T1226  
 C6311T1226

UPHOLSTERY - CABIN OVERHEAD  
 FIGURE 01 (SHEET 1)

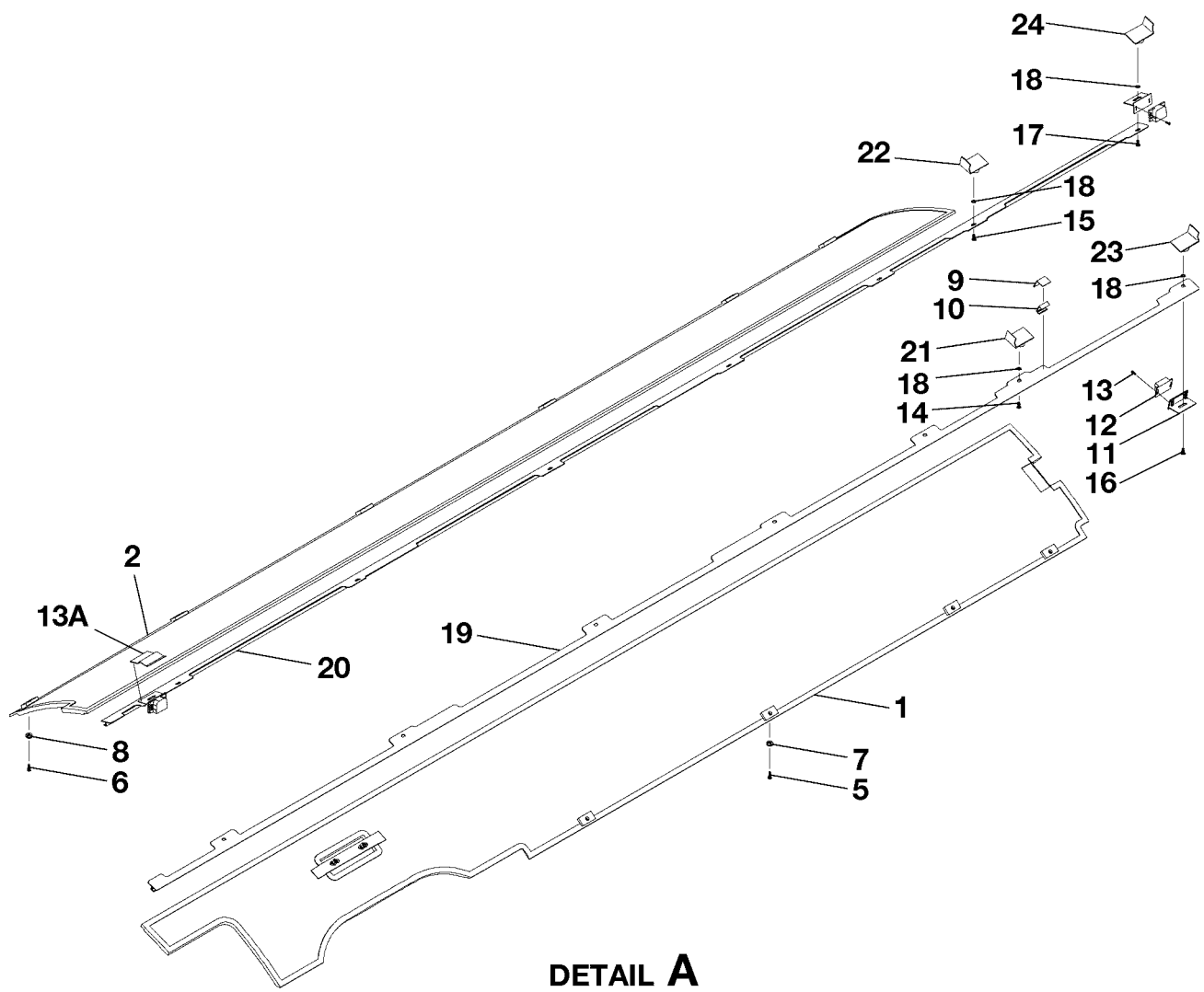
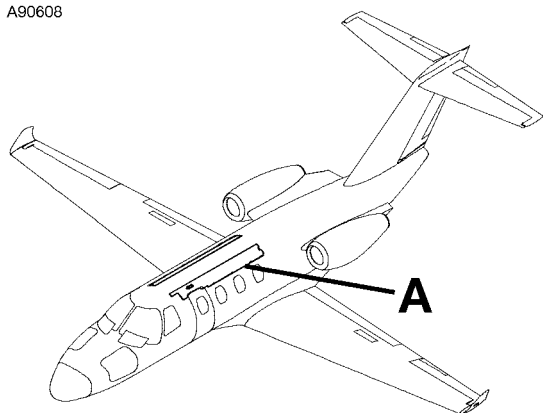
CESSNA®  
**MODEL 525 (SERIALS -0685 AND -0800 AND ON)**  
 ILLUSTRATED PARTS CATALOG

FIG ITEM	PART NUMBER	NOMENCLATURE	UNITS	
			PER	ASSY
01		UPHOLSTERY - CABIN OVERHEAD		RF
-		. CABIN OVERHEAD . . . . .		01
1	4711899-1	. GRABBER PLATE ASSY . . . . .		06
- 2	4717032-26	. GRABBER PLATE . . . . .		01
3	4717032-27	. . . . .		01
4	C3-97	. . . . .	V94222	01
5	CHS632-6	. . . . .	V56987	02
6	MS21042-06	. . . . .		02
- 7	4711899-4	. LANYARD ASSY . . . . .	0800	0876 04
- 7A	4711899-4	. LANYARD ASSY . . . . .	0877	& ON 06
8	4717032-7	. BRACKET . . . . .		01
9	S748754	. CABLE . . . . .		AR
10	6519002-106	. HOOK . . . . .		04
11	MS21069L08	. NUTPLATE . . . . .		04
12	4711899-14	. ATTACH BRACKET ASSY-CENTER FSO 4711899-21 . . . . .	0685	0685 NP R
			0800	0965
- 12A	4711899-21	. ATTACH BRACKET ASSY-CENTER . . . . .	0966	& ON 02 R
		ATTACHING PARTS		
13	MS35207-264	. SCREW . . . . .		01
14	MS15795-748	. WASHER . . . . .		01
		*—		
- 15	J-23676-1	. . . MOUNTING-BONDED . . . . .	V76005	01 R
- 16	4711899-15	. . ATTACH BRACKET-CENTER FSO 4711899-22 . . . . .	0685	0685 NP R
			0800	0965
- 16A	4711899-22	. . ATTACH BRACKET-CENTER . . . . .	0966	& ON 01 R

- ITEM NOT ILLUSTRATED

CESSNA®  
MODEL 525 (SERIALS -0685 AND -0800 AND ON)  
ILLUSTRATED PARTS CATALOG

A90608



**DETAIL A**

REVEALS AND TRIM - CABIN  
FIGURE 02 (SHEET 1)

6310T1168  
A6319T1590

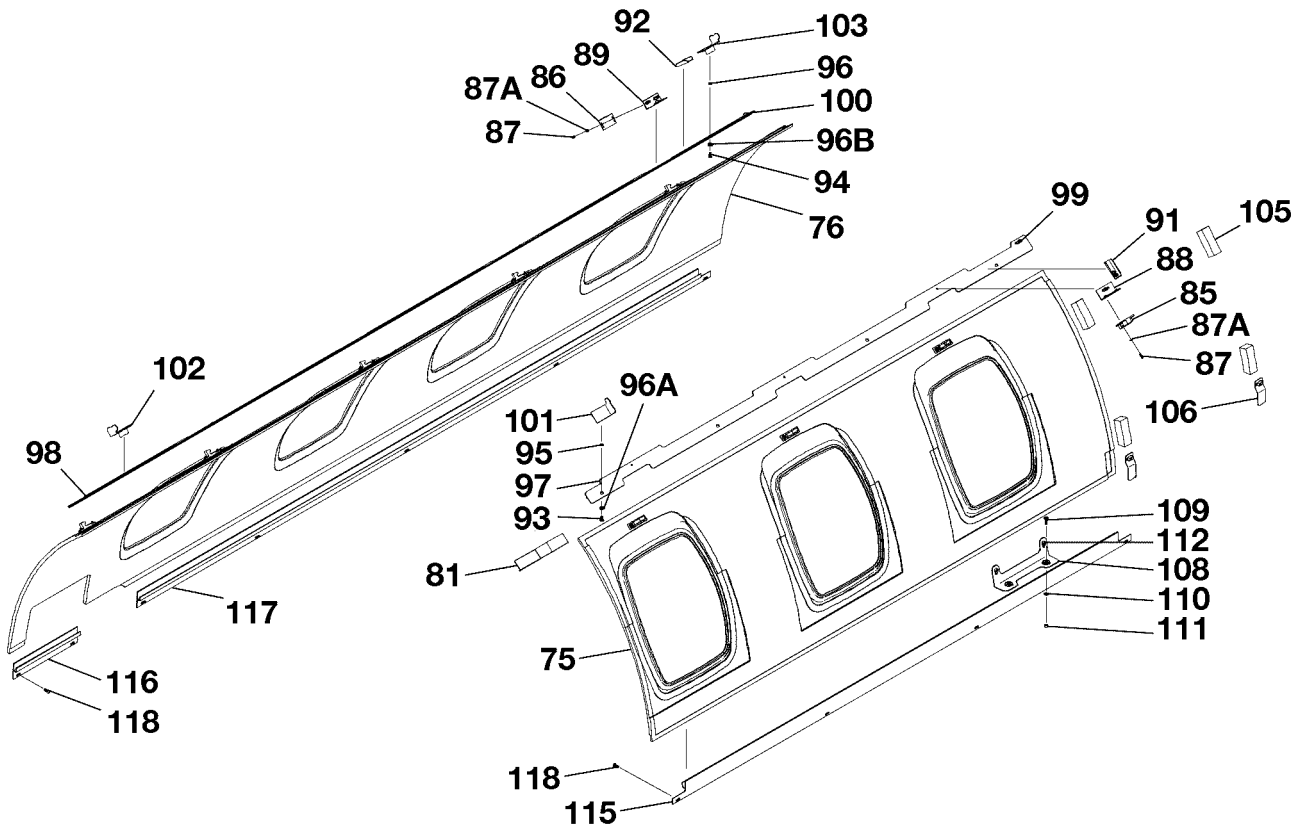
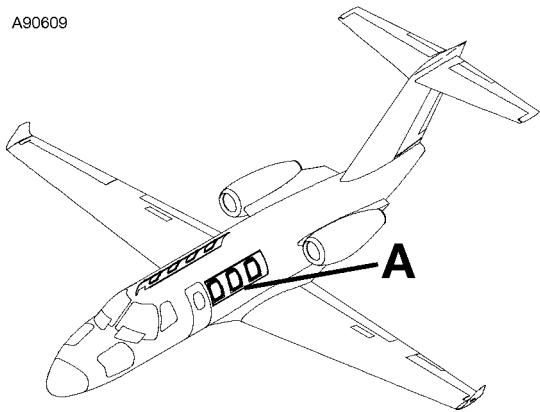
CESSNA®  
**MODEL 525 (SERIALS -0685 AND -0800 AND ON)**  
 ILLUSTRATED PARTS CATALOG

FIG ITEM	PART NUMBER	NOMENCLATURE	UNITS
			PER ASSY
		1 2 3 4 5 6 7	
02		REVEALS AND TRIM - CABIN	RF
-			
1	4711886-11	. VALANCE UPHOLSTERY ASSY-LH . . . . .	01
2	4711886-12	. VALANCE UPHOLSTERY ASSY-RH . . . . .	01
- 3	4711884-27	. VALANCE CHANNEL ASSY-LH UPR . . . . .	01
- 4	4711884-26	. VALANCE CHANNEL ASSY-RH UPR . . . . .	01
		ATTACHING PARTS	
5	MS24694-S9	. SCREW-LH . . . . .	04
6	MS24694-S9	. SCREW-RH . . . . .	06
7	NAS1169C8	. WASHER-LH . . . . .	04
8	NAS1169C8	. WASHER-RH . . . . .	06
		—*—	
9	4717081-17	. . LIGHT CLIP . . . . .	08
10	CLECLP-100	. . MOUNTING CLIP . . . . . V0GZF3	08
11	4717081-53	. . GRAB ANGLE ASSY-OVERHEAD . . . . .	03
12	C3-12-10	. . CATCH-GRABBER DOOR . . . . . V94222	03
		ATTACHING PARTS	
13	NAS1352-04-6	. . SCREW . . . . .	02
		—*—	
13A	4711884-36	. . CATCH CLIP-RH UPR . . . . .	01
14	S1115-35	. . STUD-LH . . . . .	04
15	S1115-35	. . STUD-RH . . . . .	05
16	S1115-38	. . STUD-LH . . . . .	03
17	S1115-38	. . STUD-RH . . . . .	02
18	S1115-9	. . RING . . . . .	07
19	4711884-29	. . CHANNEL-LH . . . . .	01
20	4711884-28	. . CHANNEL-RH . . . . .	01
21	4711884-9	. ISOLATOR ANGLE ASSY-LH . . . . .	02
22	4711884-9	. ISOLATOR ANGLE ASSY-RH . . . . .	05
23	4711884-10	. ISOLATOR ANGLE ASSY-LH . . . . .	05
24	4711884-10	. ISOLATOR ANGLE ASSY-RH . . . . .	02
- 25	S1115-29	. . MOUNT . . . . .	01

- ITEM NOT ILLUSTRATED

CESSNA®  
**MODEL 525 (SERIALS -0685 AND -0800 AND ON)**  
 ILLUSTRATED PARTS CATALOG

A90609



**DETAIL A**

REVEALS AND TRIM - CABIN  
 FIGURE 02 (SHEET 2)

6310T1168  
 A6319T1591

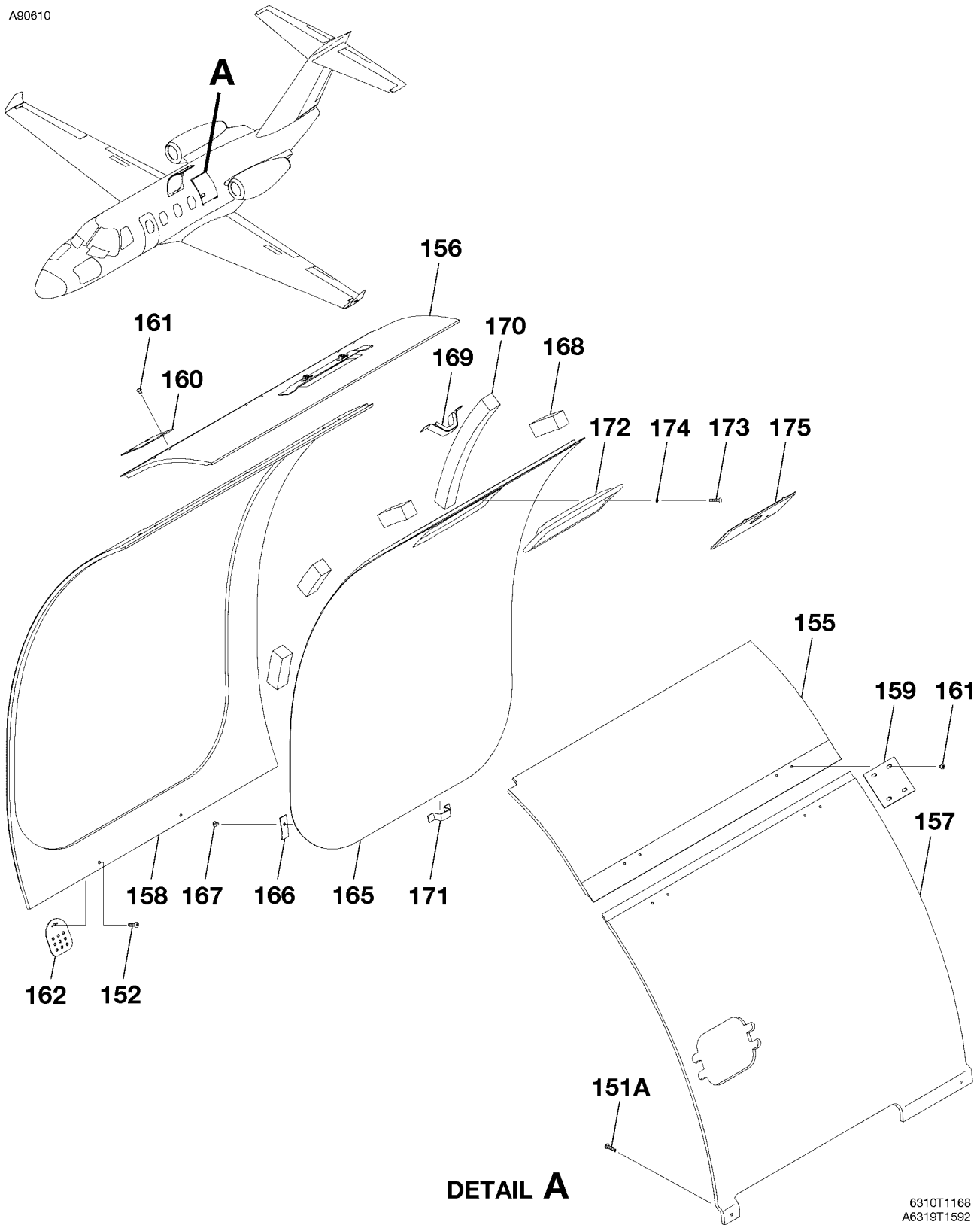


CESSNA®  
**MODEL 525 (SERIALS -0685 AND -0800 AND ON)**  
 ILLUSTRATED PARTS CATALOG

FIG ITEM	PART NUMBER	NOMENCLATURE	UNITS
			PER ASSY
02			
75	4711886-9	. CABIN REVEAL UPHOLSTERY ASSY-LH . . . . .	01
76	4711886-10	. CABIN REVEAL UPHOLSTERY ASSY-RH . . . . .	01
- 77	4711887-13	. . REVEAL ASSY-LH . . . . .	01
- 78	4711887-14	. . REVEAL ASSY-RH . . . . .	01
- 79	4711888-1	. . . REVEAL-LH . . . . .	01
- 80	4711888-2	. . . REVEAL-RH . . . . .	01
81	4711884-17	. ISOLATOR BRACKET ASSY-LH . . . . .	01
- 82	S1115-29	. . MOUNT . . . . .	01
- 83	4711884-31	. TEE ASSY-LH . . . . .	01
- 84	4711884-30	. TEE ASSY-RH . . . . .	01
85	C3-12-10	. . CATCH-LH GRABBER DOOR . . . . . V94222	04
86	C3-12-10	. . CATCH-RH GRABBER DOOR . . . . . V94222	06
		ATTACHING PARTS	
87	NAS1352-04-6	. . SCREW . . . . .	02
87A	NAS1149FN416P	. . WASHER . . . . .	02
		—*—	
88	4711884-34	. . CATCH ANGLE ASSY-LH . . . . .	04
89	4711884-34	. . CATCH ANGLE ASSY-RH . . . . .	06
- 90	MS21071L04	. . . NUTPLATE . . . . .	02
91	4717063-17	. . WINDOW SHADE CLIP ASSY-LH . . . . .	06
92	4717063-17	. . WINDOW SHADE CLIP ASSY-RH . . . . .	08
93	S1115-35	. . STUD-LH . . . . .	04
94	S1115-35	. . STUD-RH . . . . .	05
95	S1115-9	. . RING-LH . . . . .	04
96	S1115-9	. . RING-RH . . . . .	05
96A	NAS1149F0463P	. . WASHER-LH . . . . .	04
96B	NAS1149F0463P	. . WASHER-RH . . . . .	05
97	4711884-33	. . REVEAL TEE-LH . . . . .	01
98	4711884-32	. . REVEAL TEE-RH . . . . .	01
99	MS21047L08	. . NUTPLATE-LH . . . . .	04
100	MS21047L08	. . NUTPLATE-RH . . . . .	06
101	4711884-13	. ISOLATOR ANGLE ASSY-LH . . . . .	03
102	4711884-13	. ISOLATOR ANGLE ASSY-RH . . . . .	01
103	4711884-14	. ISOLATOR ANGLE ASSY-RH . . . . .	04
- 104	S1115-29	. . MOUNT . . . . .	01
105	4717089-2	. . SPACER . . . . .	04
106	7014102-30	. BRACKET ASSY-LH LWR . . . . .	02
- 107	MS21059L3	. . NUTPLATE . . . . .	01
108	4711884-18	. BRACKET ASSY-WINDOW SHADES . . . . .	07
		ATTACHING PARTS	
109	AN525-10R12	. . SCREW . . . . .	02
110	NAS1149F0363P	. . WASHER . . . . .	02
111	NAS43DD3-20FC	. . SPACER . . . . .	02
112	MS21071L3K	. . NUTPLATE . . . . .	02
		—*—	
- 113	MS21071-08	. . NUTPLATE . . . . .	02
- 114	MS35489-9	. . GROMMET . . . . .	02
115	4711884-21	. CHANNEL-LH LWR . . . . .	01
116	4711884-22	. CHANNEL-RH LWR FWD . . . . .	01
117	4711884-24	. CHANNEL-RH LWR AFT . . . . .	01
		ATTACHING PARTS	
118	MS27039-1-08	. . SCREW . . . . .	AR
		—*—	

CESSNA®  
MODEL 525 (SERIALS -0685 AND -0800 AND ON)  
ILLUSTRATED PARTS CATALOG

A90610



**DETAIL A**

REVEALS AND TRIM - CABIN  
FIGURE 02 (SHEET 3)

6310T1168  
A6319T1592

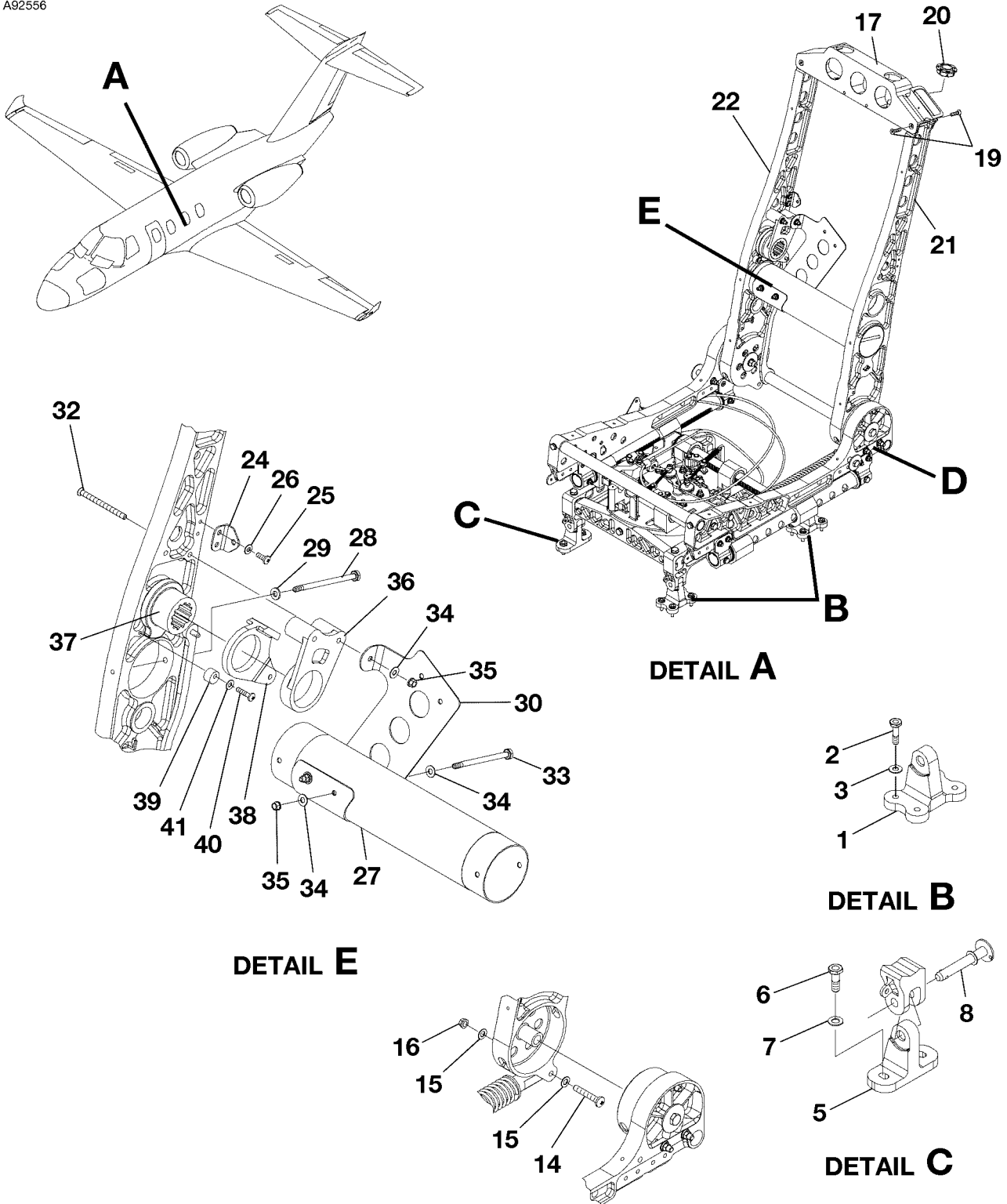
CESSNA®  
**MODEL 525 (SERIALS -0685 AND -0800 AND ON)**  
 ILLUSTRATED PARTS CATALOG

FIG ITEM	PART NUMBER	NOMENCLATURE	UNITS PER ASSY
	1 2 3 4 5 6 7		
02			
- 150	4711886-5	. LAVATORY REVEAL UPHOLSTERY ASSY-LH . . . . .	01
- 151	4711886-6	. LAVATORY REVEAL UPHOLSTERY ASSY-RH . . . . .	01
		ATTACHING PARTS	
151A	MS27039-1-12	. SCREW-LH . . . . .	02
152	MS24694-S54	. SCREW-RH . . . . .	02
		—*—	
- 153	4711887-5	. . VALANCE REVEAL ASSY-LH . . . . .	01
- 154	4711887-6	. . VALANCE REVEAL ASSY-RH . . . . .	01
155	4711888-5	. . . VALANCE-LH . . . . .	01
156	4711887-10	. . . VALANCE-RH . . . . .	01
157	4711887-7	. . . REVEAL ASSY-LH . . . . .	01
158	4711887-12	. . . REVEAL ASSY-RH . . . . .	01
159	4717085-5	. . . JOINT STRAP-LH . . . . .	02
160	4717085-5	. . . JOINT STRAP-RH . . . . .	03
		ATTACHING PARTS	
161	MS35206-241	. . . SCREW . . . . .	04
		—*—	
162	4717062-13	. REVEAL BRACKET ASSY-LWR . . . . .	02
- 163	MS21075L3N	. . . NUTPLATE . . . . .	01
- 164	4711886-8	. ESCAPE HATCH PANEL UPHOLSTERY ASSY-RH . . . . .	01
165	4711887-8	. . . PANEL ASSY . . . . .	01
166	4717085-24	. . . CLIP . . . . .	02
		ATTACHING PARTS	
167	MS35207-259	. . . SCREW . . . . .	01
		—*—	
168	4717089-2	. SPACER . . . . .	04
169	4717081-42	. SUPPORT ASSY . . . . .	03
170	4717089-3	. SPACER . . . . .	01
171	4717081-46	. HAT SECTION . . . . .	02
172	6519459-2	. PAN . . . . .	01
		ATTACHING PARTS	
173	MS27039-0812	. SCREW . . . . .	02
174	NAS620-8L	. WASHER . . . . .	02
		—*—	
175	6519459-1	. COVER . . . . .	01

- ITEM NOT ILLUSTRATED

CESSNA®  
**MODEL 525 (SERIALS -0685 AND -0800 AND ON)**  
 ILLUSTRATED PARTS CATALOG

A92556



**DETAIL E**

**DETAIL A**

**DETAIL B**

**DETAIL C**

**DETAIL D**

PASSENGER SEAT  
 FIGURE 01 (SHEET 1)

6310T1168  
 A-E6319T1641

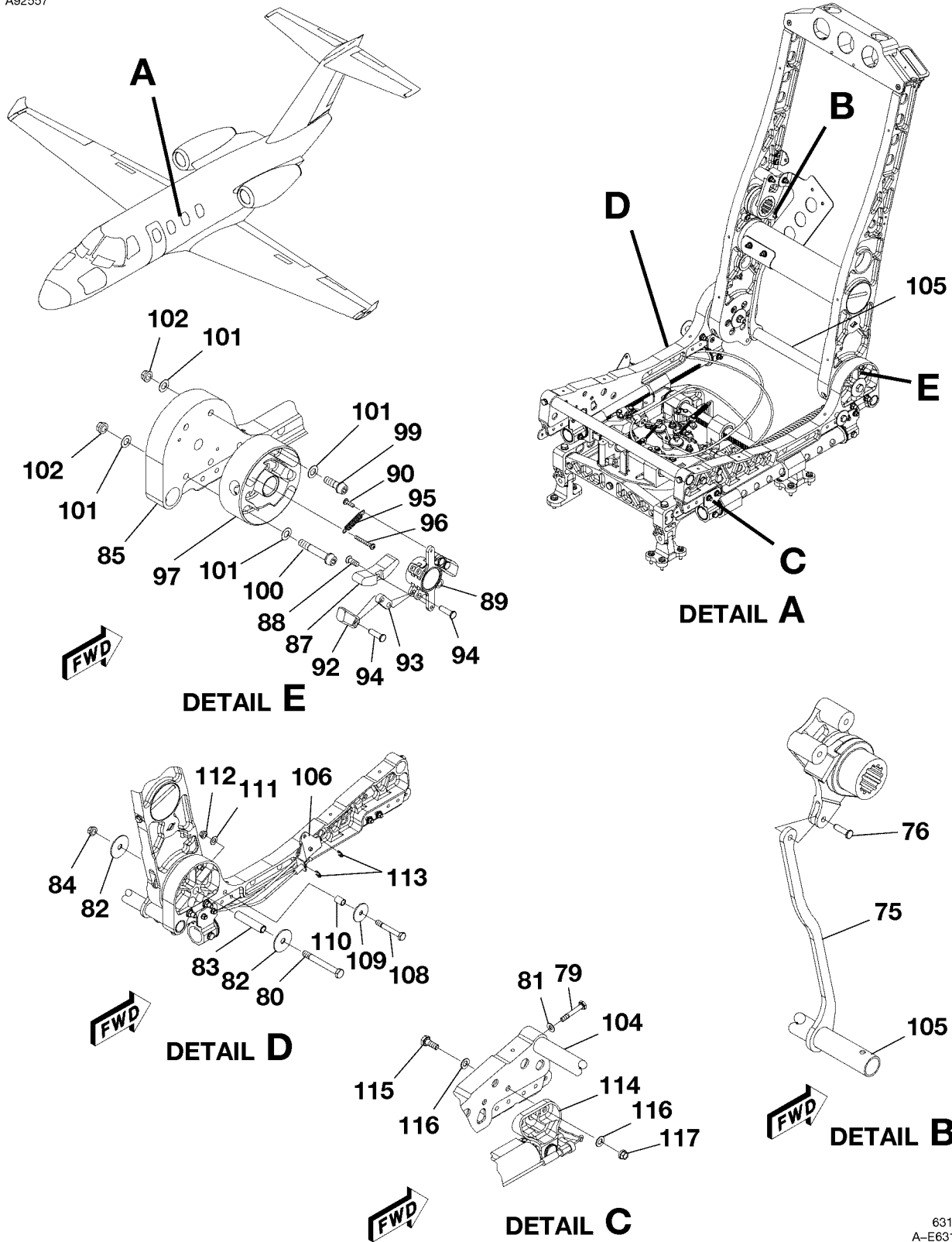
CESSNA®  
**MODEL 525 (SERIALS -0685 AND -0800 AND ON)**  
 ILLUSTRATED PARTS CATALOG

FIG ITEM	PART NUMBER	NOMENCLATURE	UNITS PER ASSY
01		PASSENGER SEAT	RF
- 1	4711941-5	. SEAT ATTACH FITTING-OUTBOARD . . . . .	08
		. ATTACHING PARTS	
2	NAS6603-8	. BOLT . . . . .	04
3	NAS1149F0332P	. WASHER . . . . .	04
- 4	4711941-4	. SHIM . . . . .	01
		—*—	
5	4711941-10	. SEAT ATTACH FITTING-INBOARD . . . . .	08
		. ATTACHING PARTS	
6	NAS6604-10	. BOLT . . . . .	02
7	NAS1149F0432P	. WASHER . . . . .	02
		—*—	
8	PL5-1250	. POSITIVE LOCK PIN . . . . . V0CUJ4	16
- 9	4711939-1	. SEAT STRUCTURE ASSY-LH FSO 4711939-11 . . . . .	0800 0870 NP
- 9A	4711939-11	. SEAT STRUCTURE ASSY-LH . . . . .	0871 & ON 01
- 10	4711939-2	. SEAT STRUCTURE ASSY-RH FSO 4711939-12 . . . . .	0800 0870 NP
- 10A	4711939-12	. SEAT STRUCTURE ASSY-RH . . . . .	0871 & ON 01
- 11	4711939-9	. SEAT STRUCTURE ASSY-LH SEAT 4 FSO 4711939-7 . . . . .	0800 0870 NP
- 11A	4711939-7	. SEAT STRUCTURE ASSY-LH SEAT 4 . . . . .	0871 & ON 01
- 12	4711932-1	. SEAT BACK ASSY-LH . . . . .	01
- 13	4711932-2	. SEAT BACK ASSY-RH . . . . .	01
		. ATTACHING PARTS	
14	MS27039-4-24	. SCREW . . . . .	01
15	NAS1149F0432P	. WASHER . . . . .	02
16	MS21042-4	. NUT . . . . .	01
		—*—	
17	4711932-11	. . . . . FRAME-LH TOP . . . . .	01
- 18	4711932-12	. . . . . FRAME-RH TOP . . . . .	01
		. ATTACHING PARTS	
19	MS24693-274	. . . . . SCREW . . . . .	04
		—*—	
20	EGFM-16 T-UW	. . . . . BEARING . . . . . V0JFH8	02
21	4711932-7	. . . . . BACK BEAM ASSY . . . . .	01
22	4711932-8	. . . . . BACK BEAM ASSY . . . . .	01
- 23	GFI-1416-08	. . . . . BEARING . . . . .	01
24	4711937-34	. . . . . BACK SHROUD BRACKET-UPPER . . . . .	02
		. ATTACHING PARTS	
25	MS27039-0807	. . . . . SCREW . . . . .	02
26	NAS1149FN832P	. . . . . WASHER . . . . .	02
		—*—	
27	4711932-13	. . . . . TORQUE TUBE . . . . .	01
		. ATTACHING PARTS	
28	AN3-32A	. . . . . BOLT . . . . .	02
29	NAS1149F0363P	. . . . . WASHER . . . . .	02
		—*—	
30	4711932-9	. . . . . INERTIA REEL BRACKET-LH . . . . .	01
- 31	4711932-10	. . . . . INERTIA REEL BRACKET-RH . . . . .	01
		. ATTACHING PARTS	
32	MS24694-S79	. . . . . SCREW . . . . .	02
33	AN3-27A	. . . . . BOLT . . . . .	02
34	NAS1149F0332P	. . . . . WASHER . . . . .	06
35	MS21042-3	. . . . . NUT . . . . .	04
		—*—	
36	4711936-6	. . . . . ARMREST GUIDE SUPPORT . . . . .	01
37	4711936-3	. . . . . ARMREST GUIDE . . . . .	01
38	4711936-5	. . . . . ARMREST STOP . . . . .	01
39	4711936-8	. . . . . ARMREST ECCENTRIC STOP . . . . .	01
		. ATTACHING PARTS	
40	MS27039-0811	. . . . . SCREW . . . . .	01
41	NAS1149FN832P	. . . . . WASHER . . . . .	01
		—*—	

- ITEM NOT ILLUSTRATED

CESSNA®  
MODEL 525 (SERIALS -0685 AND -0800 AND ON)  
ILLUSTRATED PARTS CATALOG

A92557



6310T1168  
A-E6319T1641

PASSENGER SEAT  
FIGURE 01 (SHEET 2)

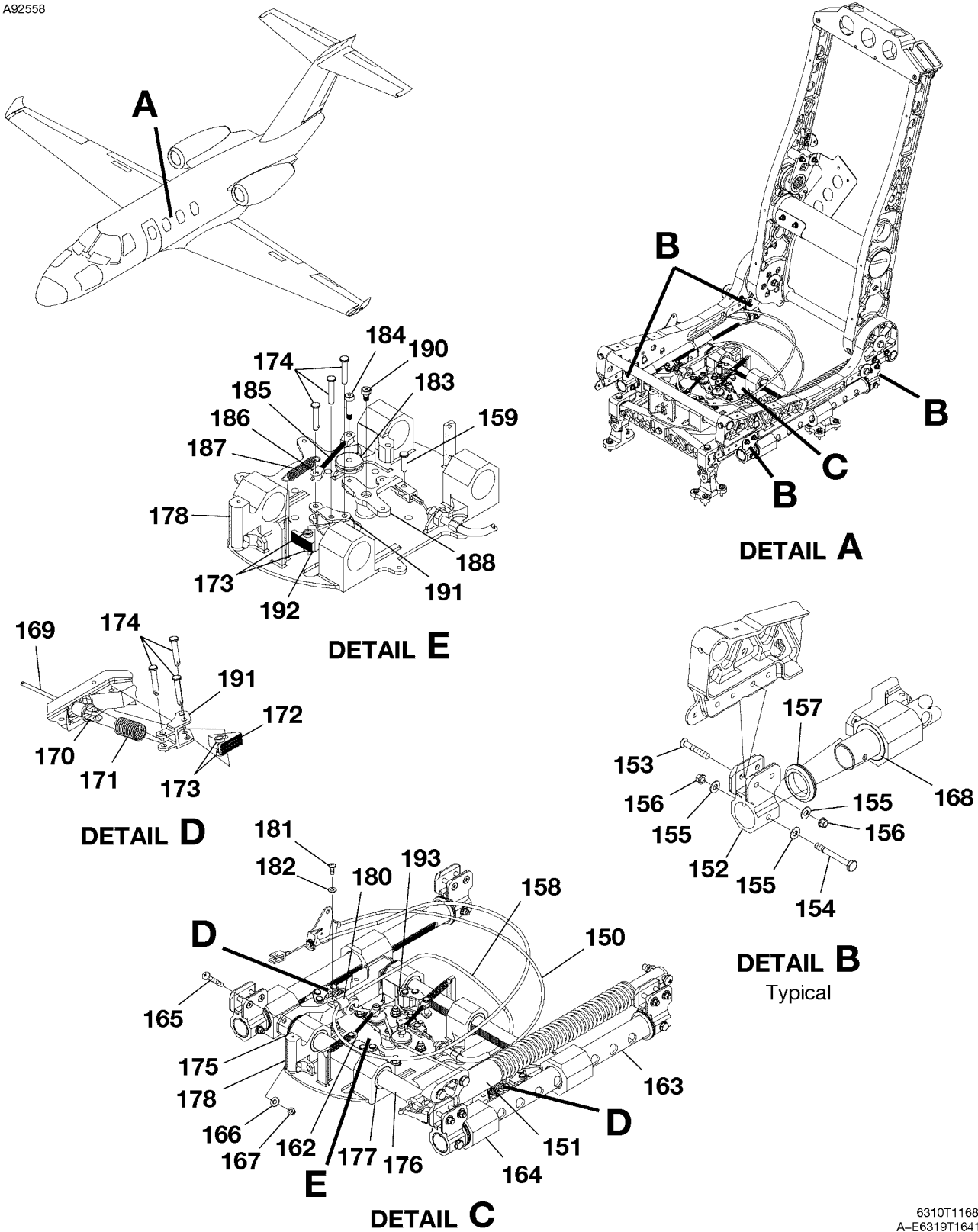
CESSNA®  
**MODEL 525 (SERIALS -0685 AND -0800 AND ON)**  
 ILLUSTRATED PARTS CATALOG

FIG ITEM	PART NUMBER	NOMENCLATURE	UNITS PER ASSY
01			
75	4711936-7	. . . ARMREST LINK . . . . .	01
76	DEC-1-C	. . . DETENT PIN . . . . . V0CUJ4	01
- 77	4711934-1	. . . SIDE PLATE ASSY . . . . .	01
- 78	4711934-2	. . . SIDE PLATE ASSY . . . . . ATTACHING PARTS	01
79	AN3-12A	. . . BOLT . . . . .	02
80	AN5-25A	. . . BOLT . . . . .	01
81	NAS1149F0332P	. . . WASHER . . . . .	02
82	AN970-5	. . . WASHER . . . . .	02
83	4319133-100	. . . SPACER . . . . .	01
84	MS21042-5	. . . NUT . . . . . —*—	01
85	4711934-3	. . . SIDE PLATE . . . . .	01
- 86	4711934-4	. . . SIDE PLATE . . . . .	01
87	4711934-18	. . . ACTUATOR MASS . . . . . ATTACHING PARTS	01
88	MS24694-S4	. . . SCREW . . . . . —*—	01
89	4711934-11	. . . PIN ACTUATOR ASSY . . . . . ATTACHING PARTS	01
90	MS35206-215	. . . SCREW . . . . . —*—	01
- 91	GSI-1416-12	. . . BEARING . . . . . V0JFH8	01
92	4711934-13	. . . LOCK PIN . . . . .	02
93	4711934-14	. . . LOCK PIN . . . . . ATTACHING PARTS	02
94	DEC-1-C	. . . DETENT CLEV PIN . . . . . V0CUJ4 —*—	01
95	LE016B04S	. . . EXTENSION SPRING . . . . . V84830	01
96	MS35206-220	. . . SCREW . . . . .	01
97	4711934-7	. . . INERTIA LOCK HUB ASSY-LH . . . . .	01
- 98	4711934-8	. . . INERTIA LOCK HUB ASSY-RH . . . . . ATTACHING PARTS	01
99	MS20004-4	. . . BOLT . . . . .	02
100	MS20004-16	. . . BOLT . . . . .	02
101	NAS1149F0416P	. . . WASHER . . . . .	08
102	MS21042-4	. . . NUT . . . . . —*—	04
- 103	98380A471	. . . PIN . . . . . V39428	02
104	4711934-5	. . . CROSS TUBE-FWD . . . . .	01
105	4711934-6	. . . CROSS TUBE-AFT . . . . .	01
106	4711935-16	. . . CABLE BRACKET-LH . . . . .	01
- 107	4711935-17	. . . CABLE BRACKET-RH . . . . .	01
108	AN4-17A	. . . BOLT . . . . .	02
109	AN970-4	. . . WASHER . . . . .	02
110	NAS43DD4-32FC	. . . SPACER . . . . .	02
111	NAS1149F0432P	. . . WASHER . . . . .	02
112	MS21042-4	. . . NUT . . . . .	02
113	MS16633-1021	. . . CLIP . . . . .	02
114	4711934-15	. . . LOCK BRACKET ASSY . . . . . ATTACHING PARTS	01
115	AN4-5A	. . . BOLT . . . . .	02
116	NAS1149F0432P	. . . WASHER . . . . .	04
117	MS21042-4	. . . NUT . . . . . —*—	02

- ITEM NOT ILLUSTRATED

CESSNA®  
**MODEL 525 (SERIALS -0685 AND -0800 AND ON)**  
 ILLUSTRATED PARTS CATALOG

A92558



PASSENGER SEAT  
 FIGURE 01 (SHEET 3)

6310T1168  
 A-E6319T1641



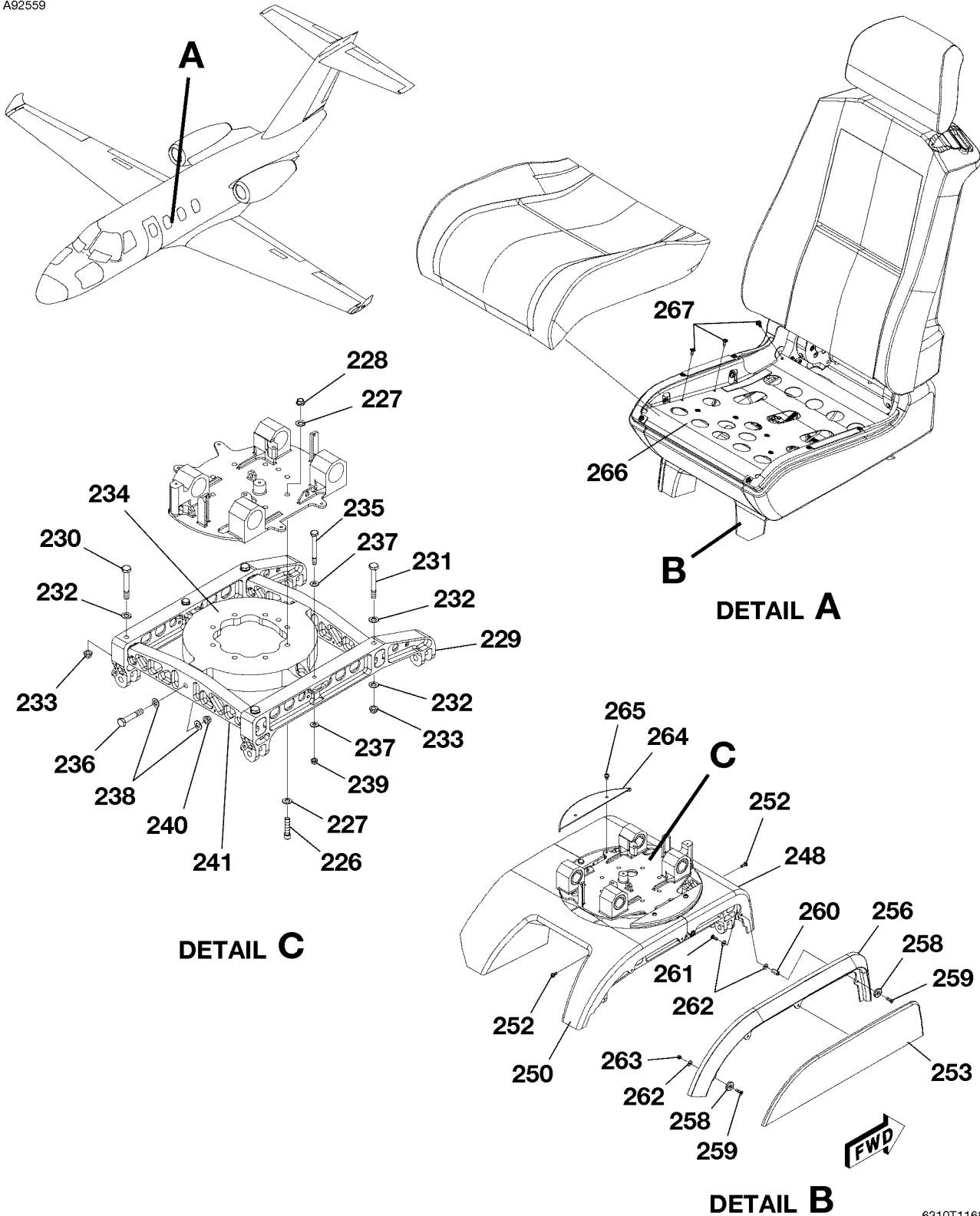
CESSNA®  
**MODEL 525 (SERIALS -0685 AND -0800 AND ON)**  
 ILLUSTRATED PARTS CATALOG

FIG ITEM	PART NUMBER	NOMENCLATURE	UNITS	
			PER	ASSY
01				
150	SP24332	. . . CABLE . . . . . V24403		01
151	UL26-002VSP1	. . . ULTRALOC . . . . . V24403		01
152	4711935-14	. . . TRACKING TUBE COLLAR . . . . .		04
		. . . ATTACHING PARTS		
153	MS24694-S60	. . . SCREW . . . . .		02
154	AN3-15A	. . . BOLT . . . . .		01
155	NAS1149F0332P	. . . WASHER . . . . .		04
156	MS21042-3	. . . NUT . . . . .		03
		—*—		
157	MS28775-318	. . . O-RING . . . . . V81343		04 R
158	2A425-0313	. . . OPERATING CABLE . . . . . VK9075		01
159	DEC-1-C	. . . DETENT PIN . . . . . V0CUJ4		01
- 160	4711935-1	. . . TRACK ASSY-LH . . . . .	0800	0870 01
- 160A	4711935-27	. . . TRACK ASSY-LH . . . . .	0871	& ON 01
- 161	4711935-2	. . . TRACK ASSY-RH . . . . .	0800	0870 01
- 161A	4711935-28	. . . TRACK ASSY-RH . . . . .	0871	& ON 01
162	NAS43DD3-8FC	. . . SPACER . . . . .	0871	& ON 01
163	4711935-9	. . . TRACKING TUBE . . . . .		02
164	4711935-8	. . . TRACKING BLOCK . . . . .		02
		. . . ATTACHING PARTS		
165	MS27039-1-22	. . . SCREW . . . . .		02
166	NAS1149F0332P	. . . WASHER . . . . .		02
167	MS21042-3	. . . NUT . . . . .		02
		—*—		
168	R065802500	. . . BEARING . . . . . V4F5N8		04
169	4711935-3	. . . CABLE . . . . .		01
170	3A323-0405	. . . END FITTING . . . . . VK9075		02
171	3A527-0203	. . . COMPRESSION SPRING . . . . . VK9075		02
172	3A325-0265	. . . SERRATED BLOCKS . . . . . VK9075		02
173	NAS43DD3-7FC	. . . SPACER . . . . .		08
174	DEC-1-C1	. . . DETENT PIN . . . . . V0CUJ4		12
175	RB288TR	. . . GROMMET . . . . . VK7348		04
176	4711935-10	. . . TRACKING TUBE . . . . .		02
177	R065802000	. . . BEARING . . . . . V4F5N8		04
178	4711935-5	. . . SWIVEL PLATE-LH TRACK . . . . .	0800	0870 01
- 178A	4711935-29	. . . SWIVEL PLATE-LH TRACK . . . . .	0871	& ON 01
- 179	4711935-6	. . . SWIVEL PLATE-RH TRACK . . . . .	0800	0870 01
- 179A	4711935-30	. . . SWIVEL PLATE-RH TRACK . . . . .	0871	& ON 01
180	2A503-0006	. . . WIRE CLAMP . . . . . VK9075		01
		. . . ATTACHING PARTS		
181	MS35207-244	. . . SCREW . . . . .		01
182	NAS1149FN816P	. . . WASHER . . . . .		01
		—*—		
183	3A323-0379	. . . PULLEY . . . . . VK9075		02
		. . . ATTACHING PARTS		
184	93996A726	. . . SHOULDER BOLT . . . . . V39428		01
		—*—		
185	4711935-13	. . . THREADED LINK . . . . .		02
186	4711935-11	. . . THREADED BLOCK . . . . .		04
187	3A527-0201	. . . SPRING EXTENSION . . . . . VK9075		02
188	4711935-12	. . . LINKAGE-LH . . . . .	0800	0870 01
- 188A	4711935-23	. . . LINKAGE-LH . . . . .	0871	& ON 01
- 189	4711935-15	. . . LINKAGE-RH . . . . .	0800	0870 01
- 189A	4711935-24	. . . LINKAGE-RH . . . . .	0871	& ON 01
		. . . ATTACHING PARTS		
190	93996A710	. . . SHOULDER BOLT . . . . . V39428		01
		—*—		
191	3A323-0455	. . . LINK-DOUBLE LUG FSO 3A325-753 . . . . . VK9075		NP
- 191A	3A325-0753	. . . LINK-DOUBLE LUG . . . . . VK9075		04
192	3A325-0263	. . . SERRATED BLOCK FSO 3A325-0755 . . . . . VK9075		NP
- 192A	3A325-0755	. . . SERRATED BLOCK . . . . . VK9075		02
193	MS51981-18L	. . . SETSCREW . . . . .	0871	& ON 02

- ITEM NOT ILLUSTRATED

CESSNA®  
**MODEL 525 (SERIALS -0685 AND -0800 AND ON)**  
 ILLUSTRATED PARTS CATALOG

A92559



PASSENGER SEAT  
 FIGURE 01 (SHEET 4)

6310T1168  
 A-C6319T1641

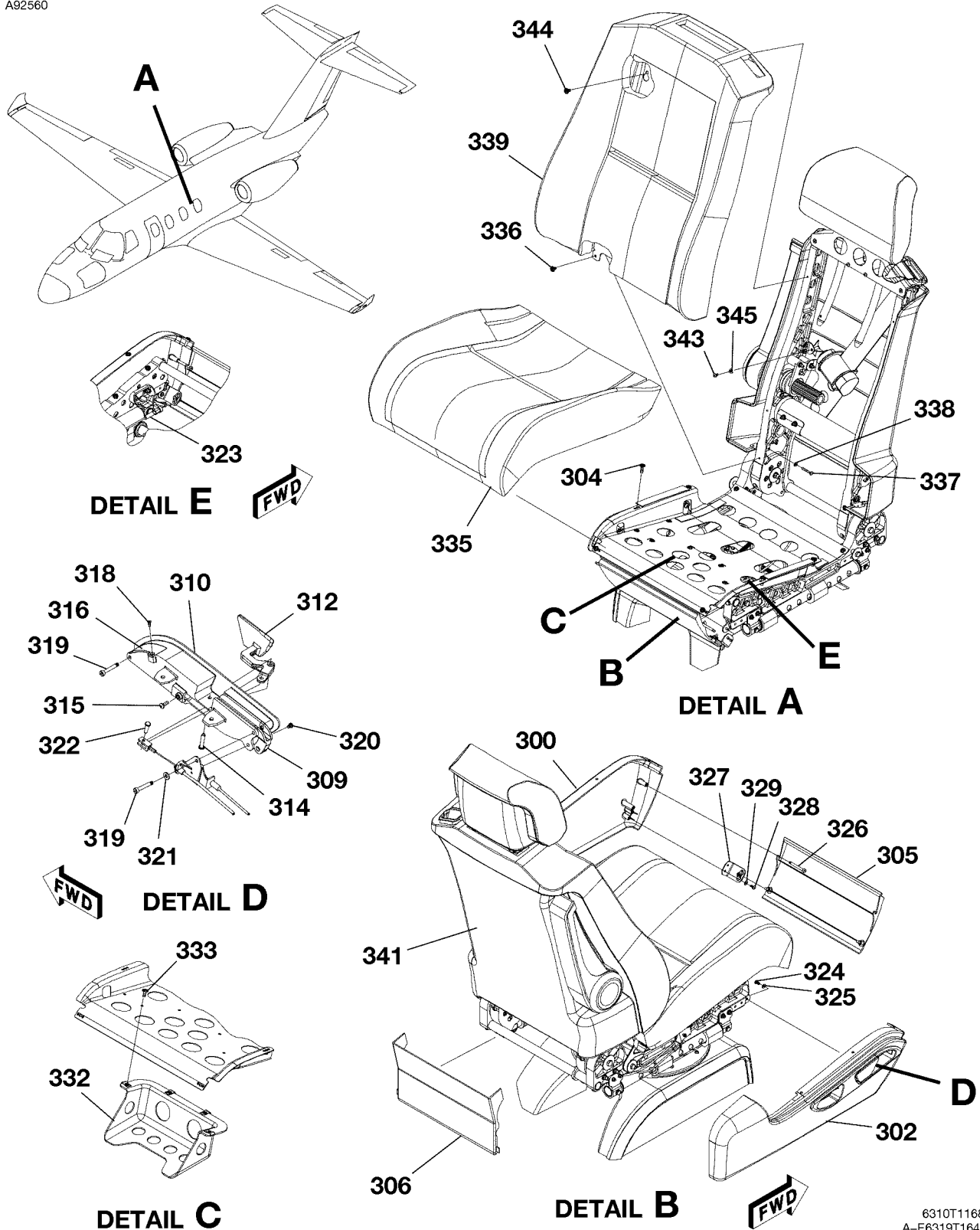
CESSNA®  
**MODEL 525 (SERIALS -0685 AND -0800 AND ON)**  
 ILLUSTRATED PARTS CATALOG

FIG ITEM	PART NUMBER	1 2 3 4 5 6 7	NOMENCLATURE	UNITS PER ASSY
01				
- 225	4711941-1	. . .	SEAT BASE ASSY . . . . .	01
			ATTACHING PARTS	
226	MS16996-24	. . .	BOLT . . . . .	09
227	NAS1149F0432P	. . .	WASHER . . . . .	18
228	MS21042-4	. . .	NUT . . . . .	09
			—*—	
229	4711941-2	. . .	SIDE FRAME . . . . .	02
			ATTACHING PARTS	
230	AN4-16A	. . .	BOLT . . . . .	01
231	AN4-17A	. . .	BOLT . . . . .	01
232	NAS1149F0432P	. . .	WASHER . . . . .	02
233	MS21042-4	. . .	NUT . . . . .	02
			—*—	
234	4711941-4	. . .	BASE PLATE . . . . .	01
			ATTACHING PARTS	
235	AN3-17A	. . .	BOLT . . . . .	02
236	AN4-13A	. . .	BOLT . . . . .	02
237	NAS1149F0332P	. . .	WASHER . . . . .	04
238	NAS1149F0432P	. . .	WASHER . . . . .	04
239	MS21043-3	. . .	NUT . . . . .	02
240	MS21042-4	. . .	NUT . . . . .	02
			—*—	
241	4711941-3	. . .	INTERCOSTAL . . . . .	02
- 242	NAS6604-22	. . .	BOLT . . . . .	02
- 243	NAS6604-20	. . .	BOLT . . . . .	02
- 244	4790055-2	. . .	PLACARD ASSY . . . . .	04
- 245	PL5-1250	. . .	POSITIVE LOCK PINS . . . . .	V0CUJ4 04
- 246	NAS1300-4T8	. . .	THUMBSCREW . . . . .	04
- 247	BLC5BA11SL6C7	. . .	QUICK RELEASE PIN . . . . .	V84256 04
248	4711937-21	. . .	BASE SHROUD-LH FWD . . . . .	02
- 249	4711937-22	. . .	BASE SHROUD-RH FWD . . . . .	01
250	4711937-23	. . .	BASE SHROUD-LH AFT . . . . .	02
- 251	4711937-24	. . .	BASE SHROUD-RH AFT . . . . .	01
			ATTACHING PARTS	
252	MS35206-228	. . .	SCREW . . . . .	02
			—*—	
253	4711937-25	. . .	BASE SHROUD PANEL ASSY-LH INBOARD . . . . .	02
- 254	4711937-26	. . .	BASE SHROUD PANEL ASSY-RH INBOARD . . . . .	01
- 255	4711937-39	. . .	MAGNET PLATE . . . . .	04
256	4711937-29	. . .	BASE SHROUD TRIM-LH . . . . .	02
- 257	4711937-30	. . .	BASE SHROUD TRIM-RH . . . . .	01
258	DH125E-FN-N42	. . .	RING MAGNET . . . . .	V4R1R7 12
259	MS24693-S28	. . .	SCREW . . . . .	12
260	S2408-8AA0632	. . .	STANDOFF . . . . .	12
261	MS35206-228	. . .	SCREW . . . . .	15
262	NAS1149FN632P	. . .	WASHER . . . . .	30
263	MS21042-06	. . .	NUT . . . . .	03
264	4711937-10	. . .	SWIVEL SHROUD . . . . .	06
			ATTACHING PARTS	
265	MS35206-241	. . .	SCREW . . . . .	02
			—*—	
266	4711937-8	. . .	SEAT BASE PAN ASSY . . . . .	03
			ATTACHING PARTS	
267	AN525-10R8	. . .	SCREW . . . . .	06
			—*—	
- 268	MS21075-3	. . .	NUTPLATE . . . . .	06

- ITEM NOT ILLUSTRATED

CESSNA®  
**MODEL 525 (SERIALS -0685 AND -0800 AND ON)**  
 ILLUSTRATED PARTS CATALOG

A92560



PASSENGER SEAT  
 FIGURE 01 (SHEET 5)

6310T1168  
 A-E6319T1641

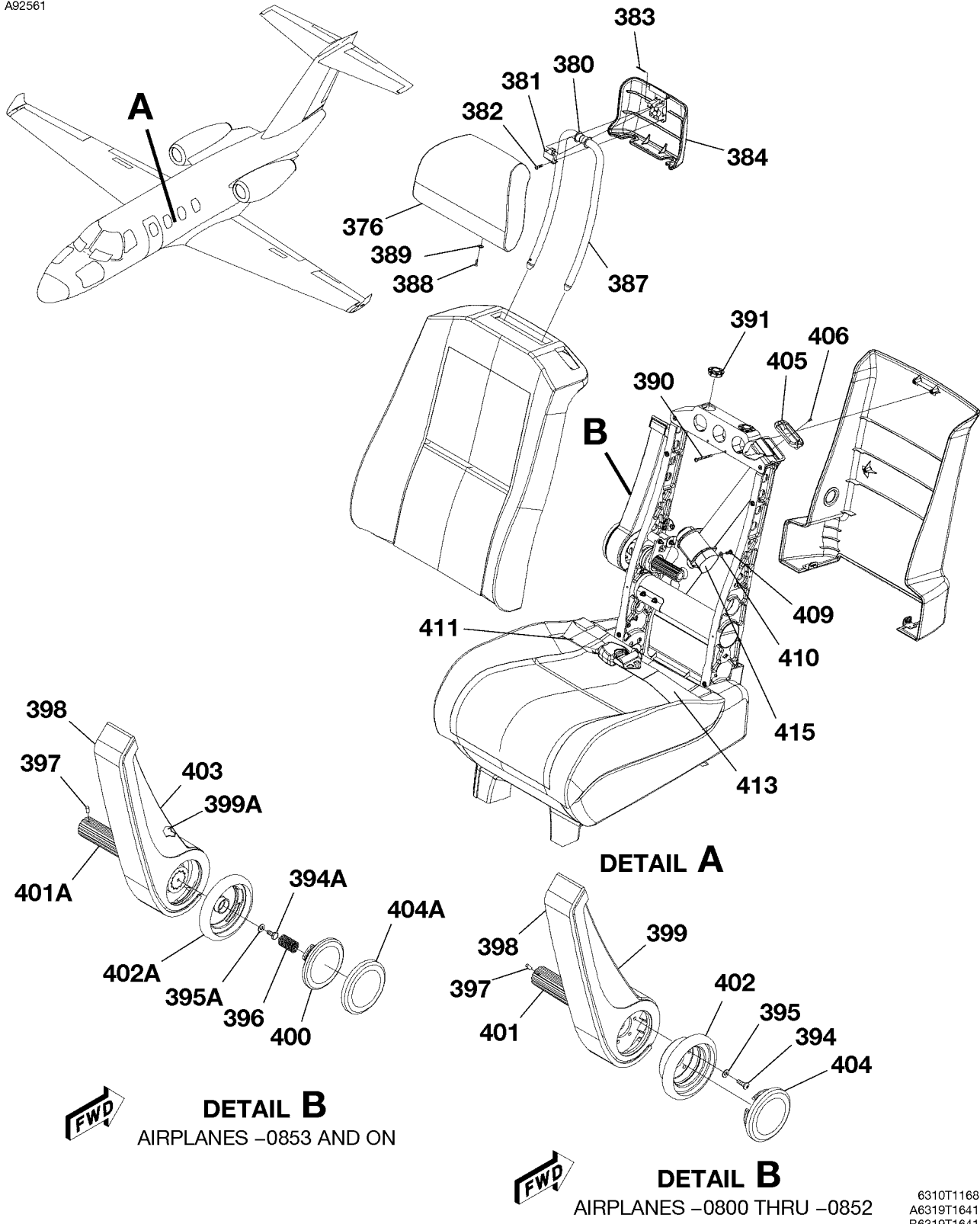
CESSNA®  
**MODEL 525 (SERIALS -0685 AND -0800 AND ON)**  
 ILLUSTRATED PARTS CATALOG

FIG ITEM	PART NUMBER	NOMENCLATURE	UNITS
			PER ASSY
		1 2 3 4 5 6 7	
01			
300	4711938-29	. BUCKET SHROUD UPHOLSTERY ASSY-LH OUTBOARD . . . . .	02
- 301	4711938-30	. BUCKET SHROUD UPHOLSTERY ASSY-RH OUTBOARD . . . . .	01
302	4711938-31	. BUCKET SHROUD UPHOLSTERY ASSY-LH INBOARD . . . . .	02
- 303	4711938-32	. BUCKET SHROUD UPHOLSTERY ASSY-RH INBOARD . . . . .	01
		ATTACHING PARTS	
304	AN525-10R11	. SCREW . . . . .	03
		—*—	
305	4711938-37	. BUCKET SHROUD UPHOLSTERY ASSY-FWD . . . . .	03
306	4711938-39	. BUCKET SHROUD UPHOLSTERY ASSY-AFT . . . . .	03
- 307	4619409-1	. CONTROL ASSY-LH WITHOUT LEG REST . . . . .	02
- 308	4619409-2	. CONTROL ASSY-RH WITHOUT LEG REST . . . . .	01
309	4619409-17	. RECLINE LEVER ASSY . . . . .	01
310	4619409-5	. CONTROL BEZEL-LH . . . . .	01
- 311	4619409-6	. CONTROL BEZEL-RH . . . . .	01
312	4619409-7	. LEVER ASSY-LH TRACKING/SWIVEL . . . . .	01
- 313	4619409-8	. LEVER ASSY-RH TRACKING/SWIVEL . . . . .	01
314	DEC-1-C1	. DETENT PIN . . . . . V0CUJ4	01
315	MS27039-0807	. SCREW . . . . .	01
316	4619409-15	. LEG REST-LH . . . . .	01
- 317	4619409-16	. LEG REST-RH . . . . .	01
		ATTACHING PARTS	
318	MS24693-S203	. SCREW . . . . .	01
		—*—	
319	92012A208	. SHOULDER BOLT . . . . . V39428	02
320	MS35206-225	. SCREW . . . . .	03
321	NAS1149F0363P	. WASHER . . . . .	03
322	DEC-1-C	. DETENT PIN . . . . . V0CUJ4	03
323	SP24332	. CABLE . . . . . V24403	03
324	MS27039-0808	. SCREW . . . . .	06
325	NAS1149FN832P	. WASHER . . . . .	06
326	93996A738	. SHOULDER SCREW . . . . . V39428	06
327	4711937-40	. BUCKET SHROUD BRACKET ASSY . . . . .	06
		ATTACHING PARTS	
328	MS27039-0808	. SCREW . . . . .	02
329	NAS1149FN832P	. WASHER . . . . .	02
		—*—	
- 330	S2436-10	. SPRING CATCH . . . . .	01
- 331	4711937-41	. BRACKET . . . . .	01
332	4711937-31	. LIFEVEST CUP ASSY . . . . .	03
		ATTACHING PARTS	
333	AN525-10R8	. SCREW . . . . .	04
		—*—	
- 334	S1477-3D	. NUT . . . . .	04
335	4711938-62	. SEAT BASE CUSHION ASSY . . . . .	03
		ATTACHING PARTS	
336	AN525-10R6	. SCREW . . . . .	02
		—*—	
337	MS27039-0822	. SCREW . . . . .	06
338	NAS1149FN832P	. WASHER . . . . .	06
339	4711938-47	. BACK CUSHION ASSY-LH . . . . .	02
- 340	4711938-48	. BACK CUSHION ASSY-RH . . . . .	01
341	4711938-71	. BACK SHROUD UPHOLSTERY ASSY-LH . . . . .	02
- 342	4711938-72	. BACK SHROUD UPHOLSTERY ASSY-RH . . . . .	01
343	MS27039-0808	. SCREW . . . . .	06
344	AN525-10R7	. SCREW . . . . .	06
345	NAS1149FN832P	. WASHER . . . . .	06

- ITEM NOT ILLUSTRATED

CESSNA®  
**MODEL 525 (SERIALS -0685 AND -0800 AND ON)**  
 ILLUSTRATED PARTS CATALOG

A92561



**DETAIL B**  
 AIRPLANES -0853 AND ON



**DETAIL B**  
 AIRPLANES -0800 THRU -0852

6310T1168  
 A6319T1641  
 B6319T1641

PASSENGER SEAT  
 FIGURE 01 (SHEET 6)

**25-20-05**

Figure 01  
 Page 10  
 Jun 1/2017

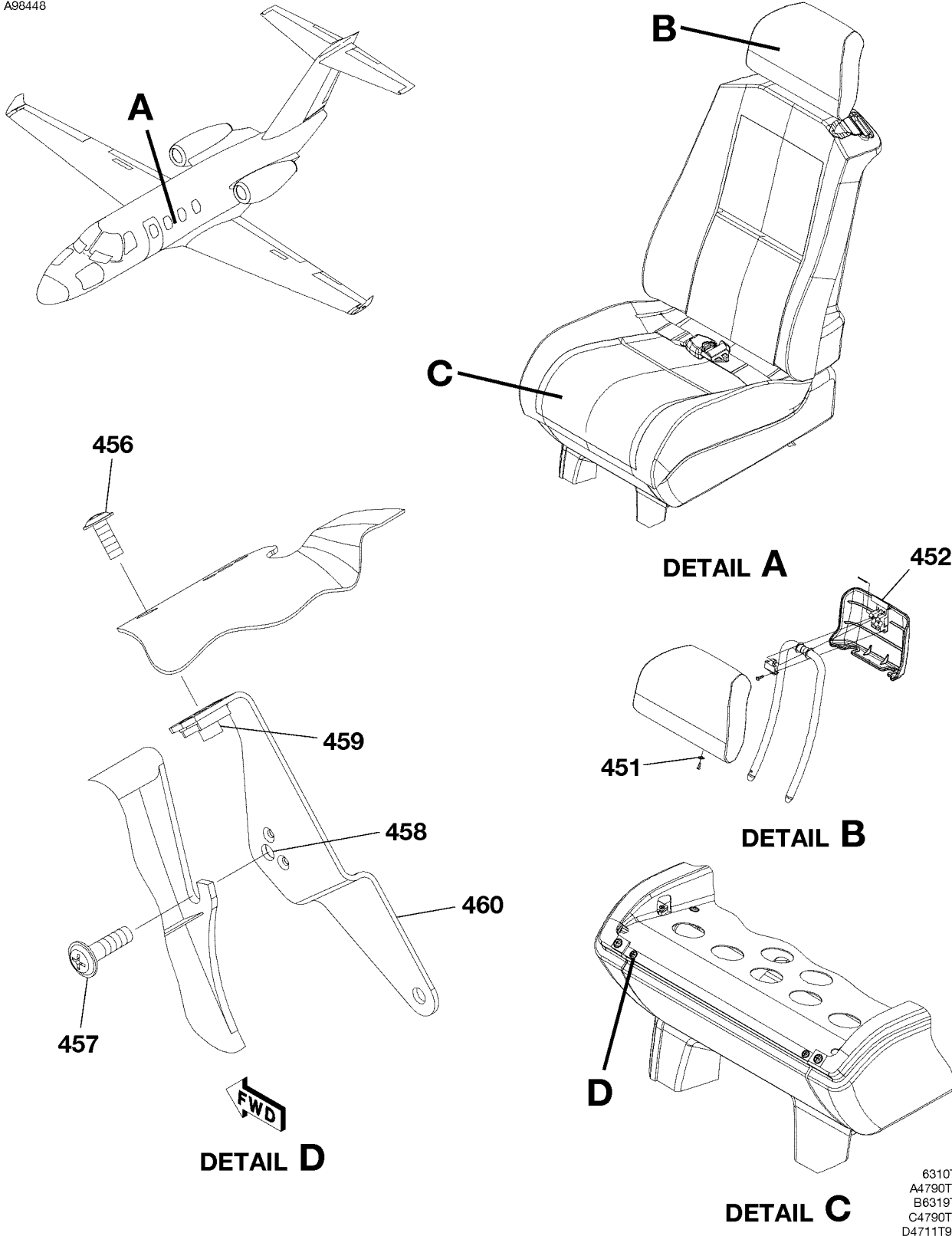
CESSNA®  
**MODEL 525 (SERIALS -0685 AND -0800 AND ON)**  
 ILLUSTRATED PARTS CATALOG

FIG ITEM	PART NUMBER	NOMENCLATURE	UNITS		
			PER	ASSY	
01					
- 375	4711938-83	. HEADREST UPHOLSTERY ASSY FSO 4711938-88 . . . . .	0800	0870	NP
- 375A	4711938-88	. HEADREST UPHOLSTERY ASSY . . . . .	0871	& ON	01
376	4711938-41	. . HEADREST CUSHION ASSY . . . . .	0800	0870	01
- 376A	4711938-46	. . HEADREST CUSHION ASSY . . . . .	0871	& ON	01
- 377	4711937-12	. . HEADREST PAD SUPPORT . . . . .	0800	0870	01
- 377A	4711937-15	. . HEADREST PAD SUPPORT . . . . .	0871	& ON	01
- 378	4711938-42	. . HEADREST CUSHION . . . . .			01
- 379	4711938-84	. . HEADREST COVER ASSY . . . . .			01
380	MYI-10-07	. . BEARING . . . . .		V0JFH8	02
381	4711933-3	. . HEADREST CLAMP . . . . .			01
382	MS27039-0810	. . SCREW . . . . .			01
383	MS16562-20	. . PIN . . . . .			01
384	4711938-44	. . SHROUD ASSY . . . . .	0800	0870	01
- 384A	4711938-89	. . SHROUD ASSY . . . . .	0871	& ON	01
- 385	4711933-1	. . HEADREST SHROUD ASSY . . . . .	0800	0870	01
- 385A	4711933-7	. . HEADREST SHROUD ASSY . . . . .	0871	& ON	01
- 386	4711938-45	. . HEADREST SHROUD COVER . . . . .			01
387	4711933-6	. . HEADREST TUBE ASSY . . . . .			01
388	MS24693-S28	. . SCREW . . . . .			01
389	NAS1169-6L	. . WASHER . . . . .	0871	& ON	01
390	MS27039-0834	. . SCREW . . . . .			06
391	EGFM-16 T-UW	. . BEARING . . . . .		V0JFH8	06
- 392	4319240-1	. . ARMREST UPHOLSTERY ASSY-LH . . . . .	0800	0852	01
- 392A	4711938-75	. . ARMREST UPHOLSTERY ASSY-LH . . . . .	0853	& ON	01
- 393	4319240-2	. . ARMREST UPHOLSTERY ASSY-RH . . . . .	0800	0852	01
- 393A	4711938-76	. . ARMREST UPHOLSTERY ASSY-RH . . . . .	0853	& ON	01
394	MS27039-1-09	. . SCREW . . . . .	0800	0852	06
394A	AN3-3A	. . BOLT . . . . .	0853	& ON	01
395	NAS1149F0332P	. . WASHER . . . . .	0800	0852	06
395A	NAS1149F0332P	. . WASHER . . . . .	0853	& ON	01
396	3A527-0203	. . SPRING-COMPRESSION . . . . .		VK9075	01
397	3408A68	. . SPRING PLUNGER . . . . .		V39428	01
398	4319240-3	. . ARMREST CAP UPHOLSTERY ASSY . . . . .			01
399	4319240-5	. . ARMREST STRUCTURE . . . . .	0800	0852	01
399A	4711936-1	. . ARMREST SUPPORT . . . . .	0853	& ON	01
400	4711936-10	. . ARMREST DECORATIVE CAP . . . . .			01
401	4711936-2	. . ARMREST SHAFT . . . . .	0800	0852	01
401A	4711936-11	. . ARMREST SPLINE SHAFT . . . . .	0853	& ON	01
402	4711936-4	. . ARMREST RING . . . . .	0800	0852	01
402A	4711936-9	. . ARMREST RING . . . . .	0853	& ON	01
403	4711938-78	. . COVER . . . . .			01
404	4711938-86	. . BEAUTY CAP COVER ASSY . . . . .	0800	0852	01
404A	4711938-87	. . BEAUTY CAP COVER . . . . .	0853	& ON	01
405	4711938-61	. . WEB GUIDE . . . . .			03
		ATTACHING PARTS			
406	MS24693-S3	. . SCREW . . . . .			01
		—*—			
- 407	9919118-1	. . RESTRAINT ASSY-LH . . . . .			02
- 408	9919118-2	. . RESTRAINT ASSY-RH . . . . .			01
		ATTACHING PARTS			
409	MS27039-1-08	. . SCREW . . . . .			02
410	NAS1149F0332P	. . WASHER . . . . .			02
		—*—			
411	9919118-9	. . LAP BELT HALF-LH . . . . .			01
- 412	9919118-10	. . LAP BELT HALF-RH . . . . .			01
413	9919118-7	. . LAP BELT HALF-LH . . . . .			01
- 414	9919118-8	. . LAP BELT HALF-RH . . . . .			01
415	9919118-6	. . REEL ASSY . . . . .			01

- ITEM NOT ILLUSTRATED

CESSNA®  
**MODEL 525 (SERIALS -0685 AND -0800 AND ON)**  
 ILLUSTRATED PARTS CATALOG

A98448



PASSENGER SEAT  
 FIGURE 01 (SHEET 7)

6310T1168  
 A4790T275-1  
 B6319T1641  
 C4790T275-1  
 D4711T937-51



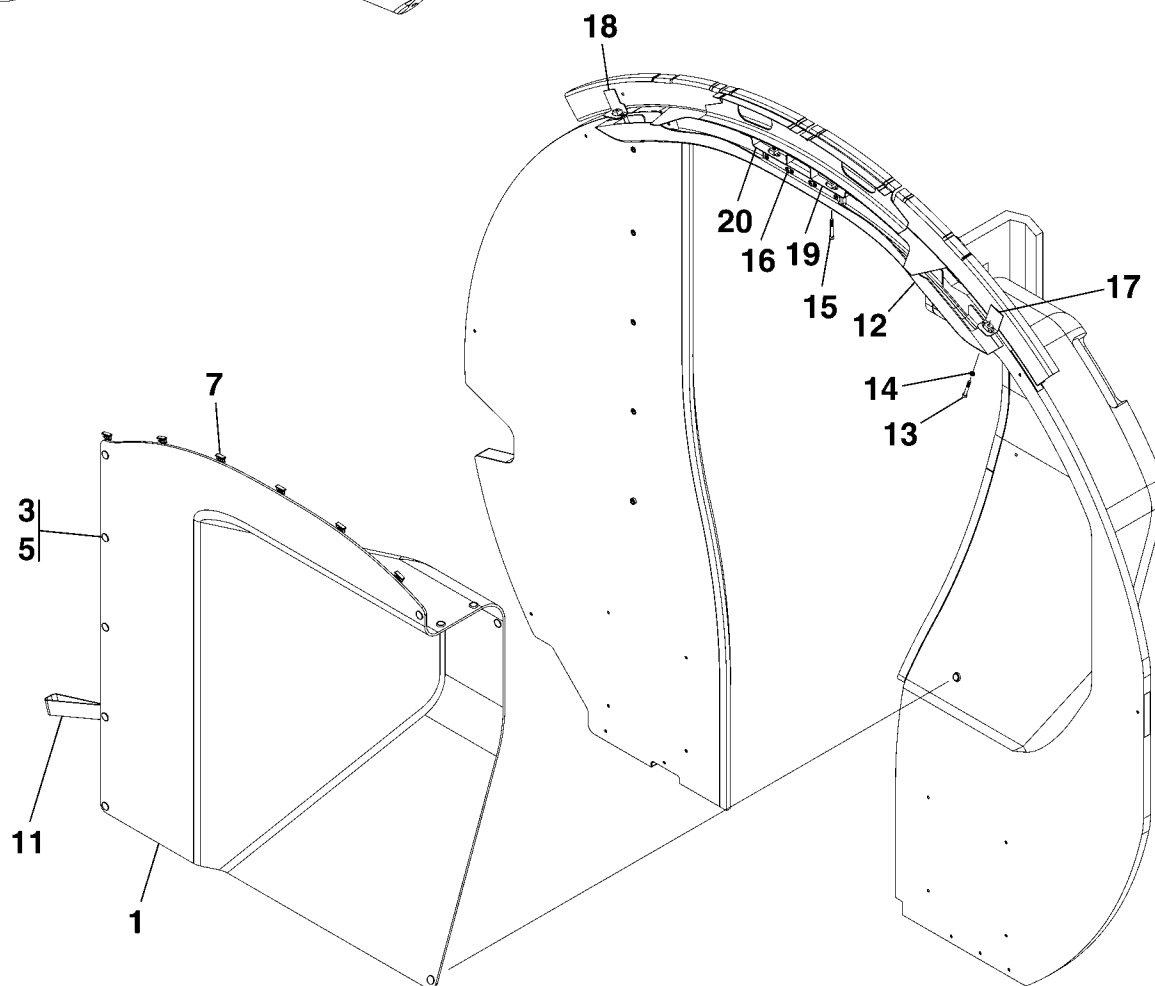
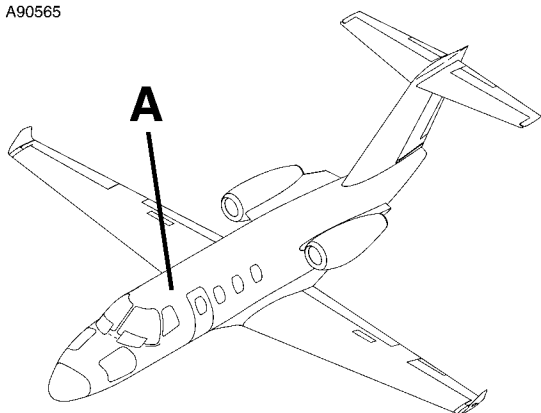
CESSNA®  
**MODEL 525 (SERIALS -0685 AND -0800 AND ON)**  
 ILLUSTRATED PARTS CATALOG

FIG ITEM	PART NUMBER	NOMENCLATURE	UNITS PER ASSY		
			1	2	3
01					
- 450	4790275-2	. HEADREST-MOD . . . . .	0810	0870	04
451	NAS1169-6L	. . WASHER . . . . .			01
452	4790275-3	. . ANGLE . . . . .			01
- 453	4790275-1	. PASSENGER SEAT-MOD . . . . .	0800	0829	01
- 454	4711937-51	. . BUCKET SHROUD BRACKET ASSY-LH . . . . .			01
- 455	4711937-52	. . BUCKET SHROUD BRACKET ASSY-RH . . . . .			01
		ATTACHING PARTS			
456	AN525-832R7	. . SCREW . . . . .			02
		—*—			
457	AN525-10R11	. . . SCREW . . . . .			01
458	MS21073-3	. . . NUTPLATE . . . . .			01
459	MS21075-08	. . . NUTPLATE . . . . .			01
460	4711937-49	. . . BUCKET SHROUD BRACKET-LH . . . . .			01
- 461	4711937-50	. . . BUCKET SHROUD BRACKET-RH . . . . .			01

- ITEM NOT ILLUSTRATED

CESSNA®  
MODEL 525 (SERIALS -0685 AND -0800 AND ON)  
ILLUSTRATED PARTS CATALOG

A90565



**DETAIL A**

FORWARD CABIN CURTAIN AND HEADER  
FIGURE 01 (SHEET 1)

6310T1168  
A6319T1589

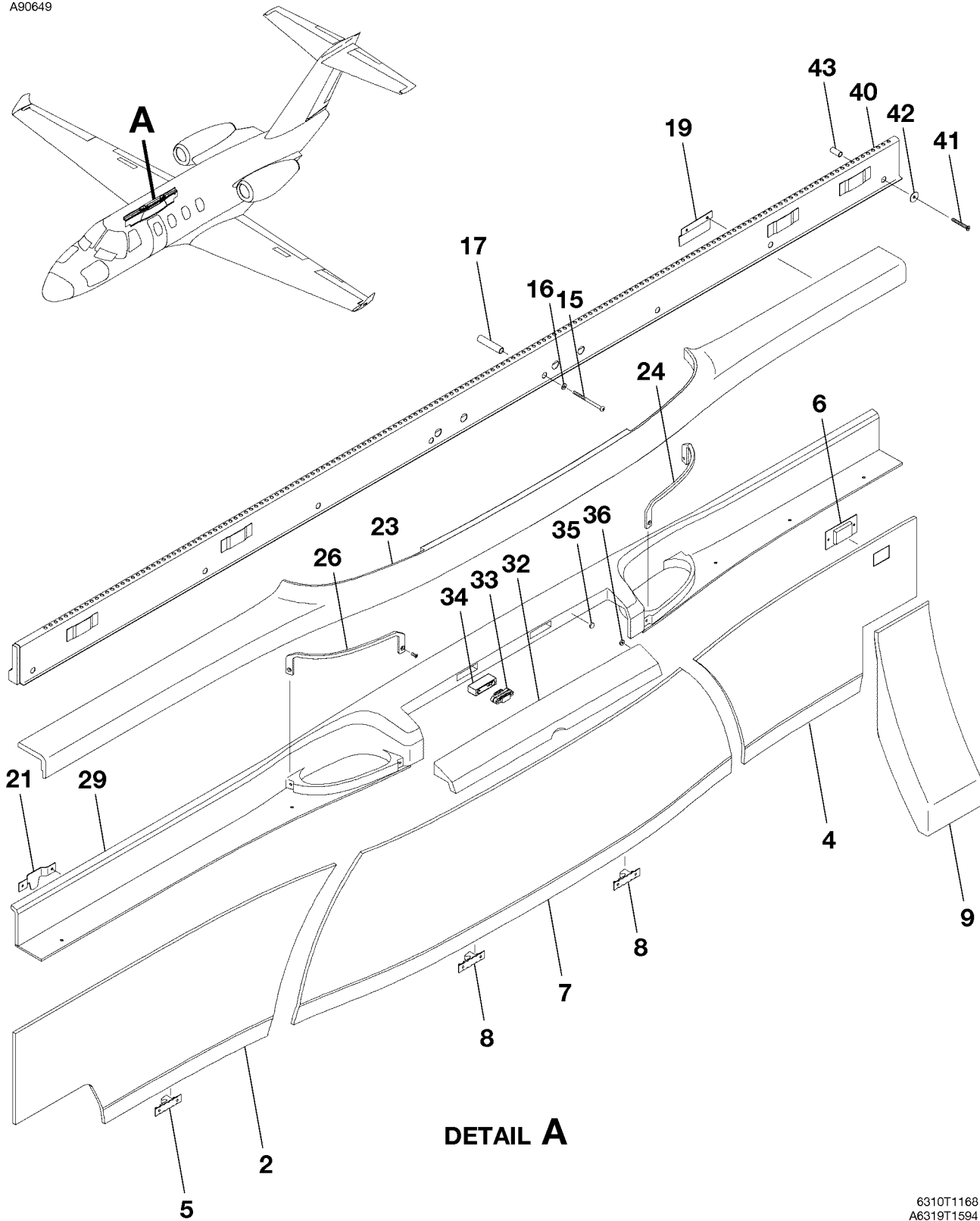
CESSNA®  
**MODEL 525 (SERIALS -0685 AND -0800 AND ON)**  
 ILLUSTRATED PARTS CATALOG

FIG ITEM	PART NUMBER	NOMENCLATURE	UNITS PER ASSY		
			1	2	3
01		FORWARD CABIN CURTAIN AND HEADER			RF
-					
1	4711873-2	. CURTAIN ASSY-WITH LINER FSO 4711873-7 REFER TO NOTE 1 . . . . .	0800	0992	NP R
- 1A	4711873-7	. CURTAIN ASSY-WITH LINER REFER TO NOTE 1 . . . . .	0993	& ON	01 R
- 2	4711643-6	. CURTAIN ASSY-ONE PIECE REFER TO NOTE 1 . . . . .			01
3	MS27980-1N	. . BUTTON-WITH LINER . . . . .			11
- 4	MS27980-1N	. . BUTTON-ONE PIECE . . . . .			10
5	MS27980-6N	. . SOCKET-WITH LINER . . . . .			11
- 6	MS27980-6N	. . SOCKET-ONE PIECE . . . . .			10
7	5514653-70	. . SLIDER-WITH LINER . . . . .			06
- 8	5514653-70	. . SLIDER-ONE PIECE . . . . .			07
- 9	4711873-3	. . COCKPIT CURTAIN . . . . .			02 R
- 10	4711873-4	. . CURTAIN LINER . . . . .	0800	0992	01 R
11	6219146-7	. STRAP ASSY-TIE . . . . .			01 R
12	4799502-1	. HEADER ASSY-FWD . . . . .			01 R
		ATTACHING PARTS			
13	NAS1352-08-20P	. . SCREW . . . . .			02 R
14	S1450-2-5-063	. WASHER . . . . .			02 R
		—*—			
15	NAS1352-08-20P	. . SCREW . . . . .			02 R
16	MS21069-06	. . NUTPLATE . . . . .			02 R
17	4711644-3	. BRACKET ASSY-LH OUTBOARD . . . . .			01 R
18	4711644-8	. BRACKET ASSY-RH OUTBOARD . . . . .			01 R
19	4711644-5	. BRACKET ASSY-LH INBOARD . . . . .			01 R
20	4711644-6	. BRACKET ASSY-RH INBOARD . . . . .			01 R
- 21	MS21059-08	. . NUTPLATE . . . . .			01 R

NOTE 1—WHEN ORDERING THIS PART, PROVIDE AIRPLANE MODEL AND SERIAL NUMBER.

CESSNA®  
MODEL 525 (SERIALS -0685 AND -0800 AND ON)  
ILLUSTRATED PARTS CATALOG

A90649



SIDEEDGE AND SIDEWALL - CABIN  
FIGURE 02 (SHEET 1)

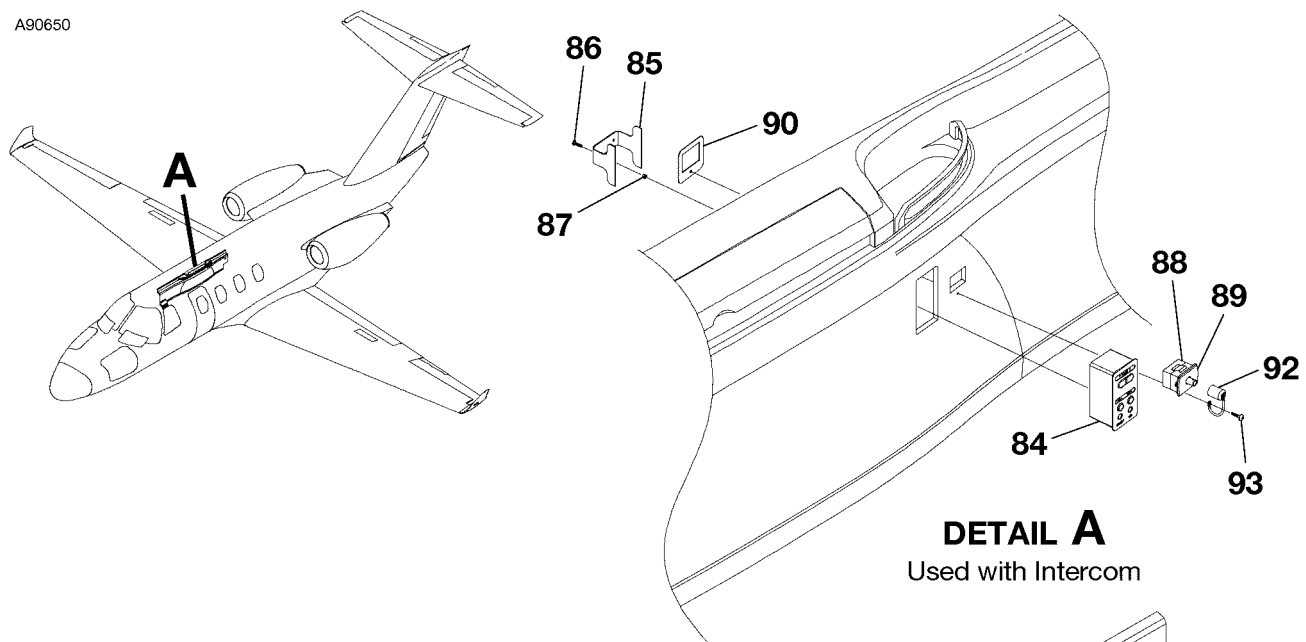
6310T1168  
A6319T1594

CESSNA®  
**MODEL 525 (SERIALS -0685 AND -0800 AND ON)**  
 ILLUSTRATED PARTS CATALOG

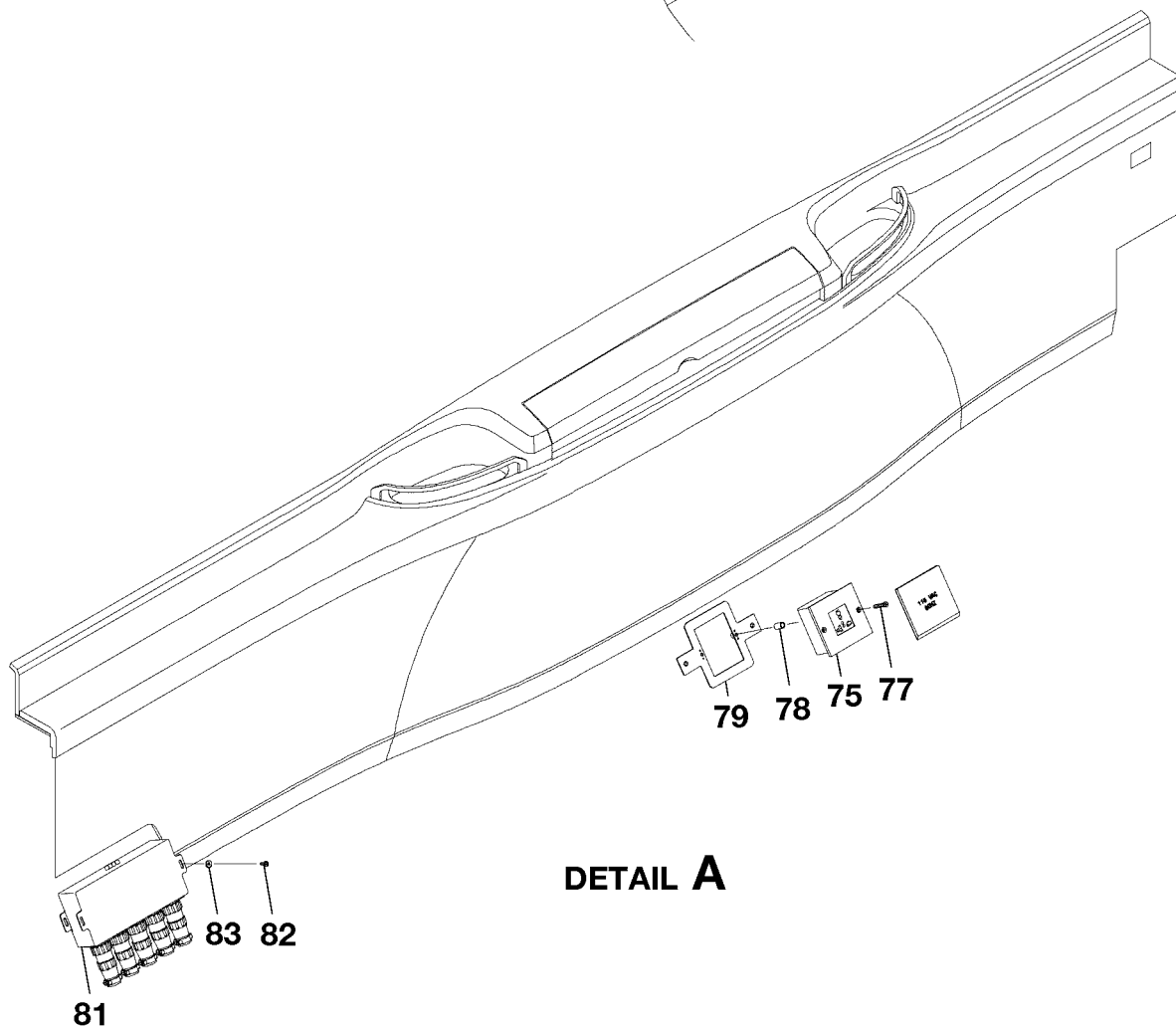
FIG ITEM	PART NUMBER	NOMENCLATURE	UNITS PER ASSY	
		1 2 3 4 5 6 7		
02				
-		SIDELEDGE AND SIDEWALL - CABIN		RF
- 1	4711894-7	. SIDEWALL UPHOLSTERY ASSY-LH FWD . . . . .	0800	0955 01
- 1A	4711894-23	. SIDEWALL UPHOLSTERY ASSY-LH FWD . . . . .	0956	& ON 01
2	4711894-8	. SIDEWALL UPHOLSTERY ASSY-RH FWD . . . . .	0800	0955 01
- 2A	4711894-24	. SIDEWALL UPHOLSTERY ASSY-RH FWD . . . . .	0956	& ON 01
- 3	4711894-9	. SIDEWALL UPHOLSTERY ASSY-LH AFT . . . . .	0800	0955 01
- 3A	4711894-25	. SIDEWALL UPHOLSTERY ASSY-LH AFT . . . . .	0956	& ON 01
4	4711894-10	. SIDEWALL UPHOLSTERY ASSY-RH AFT . . . . .	0800	0955 01
- 4A	4711894-26	. SIDEWALL UPHOLSTERY ASSY-RH AFT . . . . .	0956	& ON 01
5	4717059-45	. . . . . KEEPER BOND PLATE ASSY . . . . .		01
6	4711894-13	. . . . . PLUG UPHOLSTERY ASSY-RH AFT . . . . .	0800	0955 01
- 6A	4711894-27	. . . . . PLUG UPHOLSTERY ASSY-RH AFT . . . . .	0956	& ON 01
7	4711894-11	. SIDEWALL UPHOLSTERY ASSY-CENTER . . . . .	0800	0955 02
- 7A	4711894-22	. SIDEWALL UPHOLSTERY ASSY-CENTER . . . . .	0956	& ON 02
8	4717059-45	. . . . . KEEPER BOND PLATE ASSY . . . . .		02
9	4711894-12	. CLOSEOUT UPHOLSTERY ASSY-RH AFT . . . . .		01
- 10	2021B1-00PC	. ASH TRAY . . . . .	V51296	01
- 11	4799506-1	. SIDELEDGE ASSY-LH PAINTED . . . . .	0800	0955 01
- 11A	4799506-27	. SIDELEDGE ASSY-LH PAINTED . . . . .	0956	& ON 01
- 12	4799506-2	. SIDELEDGE ASSY-RH PAINTED . . . . .	0800	0955 01
- 12A	4799506-28	. SIDELEDGE ASSY-RH PAINTED . . . . .	0956	& ON 01
- 13	4799506-3	. SIDELEDGE ASSY-LH . . . . .	0800	0955 01
- 13A	4799506-29	. SIDELEDGE ASSY-LH . . . . .	0956	& ON 01
- 14	4799506-4	. SIDELEDGE ASSY-RH . . . . .	0800	0955 01
- 14A	4799506-30	. SIDELEDGE ASSY-RH . . . . .	0956	& ON 01
		ATTACHING PARTS		
15	MS27039-1-44	. SCREW . . . . .		02
16	NAS1149F0332P	. WASHER . . . . .		04
17	NAS43DD5-136FC	. SPACER . . . . .		02
		—*—		
- 18	4799506-13	. . . . . SUPPORT BRACKET-LH SIDEWALL . . . . .		07
- 19	4799506-13	. . . . . SUPPORT BRACKET-RH SIDEWALL . . . . .		09
- 20	4799506-12	. . . . . ATTACH BRACKET-LH SIDELEDGE . . . . .		03
21	4799506-12	. . . . . ATTACH BRACKET-RH SIDELEDGE . . . . .		04
- 22	4799506-15	. . . . . ARMREST UPHOLSTERY-LH . . . . .	0800	0955 01
- 22A	4799506-31	. . . . . ARMREST UPHOLSTERY-LH . . . . .	0956	& ON 01
23	4799506-14	. . . . . ARMREST UPHOLSTERY-RH . . . . .	0800	0955 01
- 23A	4799506-32	. . . . . ARMREST UPHOLSTERY-RH . . . . .	0956	& ON 01
24	4799506-10	. . . . . ARMREST RAIL-FWD PAINTED . . . . .		01
- 25	4799506-18	. . . . . ARMREST RAIL-FWD . . . . .		01
26	4799506-11	. . . . . ARMREST RAIL-AFT PAINTED . . . . .		01
- 27	4799506-19	. . . . . ARMREST RAIL-AFT . . . . .		01
- 28	4799506-7	. . . . . SIDELEDGE CAP-LH PAINTED . . . . .	0800	0955 01
- 28A	4799506-21	. . . . . SIDELEDGE CAP-LH PAINTED . . . . .	0956	& ON 01
29	4799506-8	. . . . . SIDELEDGE CAP-RH PAINTED . . . . .	0800	0955 01
- 29A	4799506-22	. . . . . SIDELEDGE CAP-RH PAINTED . . . . .	0956	& ON 01
- 30	4799506-17	. . . . . SIDELEDGE CAP-LH . . . . .	0800	0955 01
- 30A	4799506-23	. . . . . SIDELEDGE CAP-LH . . . . .	0956	& ON 01
- 31	4799506-16	. . . . . SIDELEDGE CAP-RH . . . . .	0800	0955 01
- 31A	4799506-24	. . . . . SIDELEDGE CAP-RH . . . . .	0956	& ON 01
32	4799506-9	. . . . . TABLE LID . . . . .	0800	0955 01
- 32A	4799506-20	. . . . . TABLE LID . . . . .	0956	& ON 01
33	ILDH-4AL-180DS	. . . . . HINGE . . . . .	VMOIN	02
34	190-1049-1	. . . . . HINGE BLOCK . . . . .	V0YCE4	04
35	99K32.03	. . . . . CIRCULAR MAGNET . . . . .	VLVTL	02
36	99K32.61	. . . . . WASHER . . . . .	VLVTL	02
- 37	4779407-1	. . . . . CUPHOLDER INSERT . . . . .		02
- 38	4779407-2	. . . . . CUPHOLDER INSERT . . . . .		02
- 39	4711944-1	. . . . . AIR DIFFUSER ASSY-LH . . . . .		01
40	4711944-2	. . . . . AIR DIFFUSER ASSY-RH . . . . .		01
		ATTACHING PARTS		
41	MS24694-S66	. SCREW . . . . .		AR
42	S3420D2	. WASHER . . . . .		AR
43	NAS43DD4-53FC	. SPACER . . . . .		AR
		—*—		

CESSNA®  
**MODEL 525 (SERIALS -0685 AND -0800 AND ON)**  
 ILLUSTRATED PARTS CATALOG

A90650



**DETAIL A**  
 Used with Intercom



**DETAIL A**

SIDEEDGE AND SIDEWALL - CABIN  
 FIGURE 02 (SHEET 2)

6310T1168  
 A6319T1617  
 A6319T1595

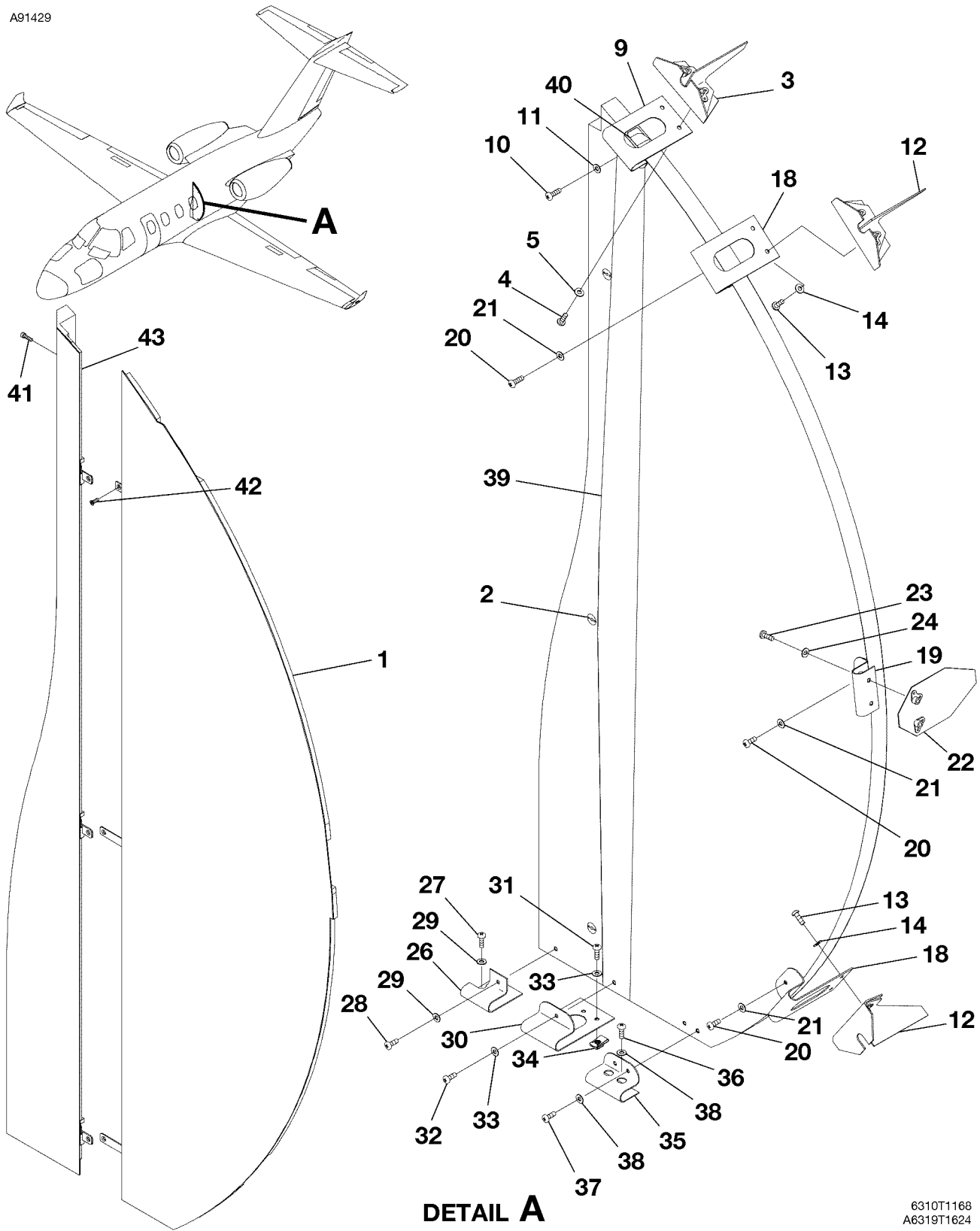
CESSNA®  
**MODEL 525 (SERIALS -0685 AND -0800 AND ON)**  
 ILLUSTRATED PARTS CATALOG

FIG ITEM	PART NUMBER	NOMENCLATURE	UNITS	
			PER	ASSY
02				
75	106300-3	. AC OUTLET-115 UNIVERSAL WITH LID . . . . . VMCCI 0800	0992	02 R
- 75A	106430-3	. OUTLET-COMBO . . . . . V3YHW1 0993	& ON	02 R
- 76	106300-1	. AC OUTLET-220 UNIVERSAL WITH LID . . . . . VMCCI		02
		ATTACHING PARTS		
77	MS24693-S54	. SCREW . . . . .		02
78	NAS43DD3-35FC	. SPACER . . . . .		02
		—*—		
79	4711947-4	. OUTLET BRACKET ASSY . . . . .		02
- 80	MS21047L08	. . NUTPLATE . . . . .		02
81	106282-1	. AC CONTROLLER (1IN-4OUT) . . . . . VMCCI		01
		ATTACHING PARTS		
82	NAS1801-06-6	. SCREW . . . . .		02
83	NAS1149FN632P	. WASHER . . . . .		02
		—*—		
84	101001-869	. SWITCH PANEL-INTERCOM . . . . . VMCCI		04
85	4717174-5	. BRACKET-HEADSET PANEL . . . . .		04
		ATTACHING PARTS		
86	MS35206-216	. SCREW . . . . .		02
87	MS21042-04	. NUT . . . . .		02
		—*—		
88	101015-26	. SWITCH PANEL-RH USED WITH INTERCOM . . . . . VMCCI 0800	0972	01
89	401926-1	. PANEL BEZEL-RH USED WITH INTERCOM . . . . . VMCCI 0800	0972	01
90	4711958-2	. PLATE ASSY-RH USED WITH INTERCOM . . . . . 0800	0972	01
- 91	MS21047L04	. . NUTPLATE . . . . .		01
92	M39012/25-0006	. COVER-RH USED WITH INTERCOM . . . . . 0800	0972	01
		ATTACHING PARTS		
93	CM3558-4-9G	. SCREW . . . . . 0800	0972	01
		—*—		
- 94	107086-1	. MOUNTING PLATE . . . . . V3YHW1 0973	& ON	01
		ATTACHING PARTS		
- 95	MS21042-04	. NUT . . . . . 0973	& ON	02
- 95A	NAS1291X04	. NUT ALT FOR MS21042-04 . . . . .		02
		—*—		

- ITEM NOT ILLUSTRATED

CESSNA®  
**MODEL 525 (SERIALS -0685 AND -0800 AND ON)**  
 ILLUSTRATED PARTS CATALOG

A91429



**DETAIL A**

AFT CABIN DIVIDER - LH  
 FIGURE 03 (SHEET 1)

6310T1168  
 A6319T1624



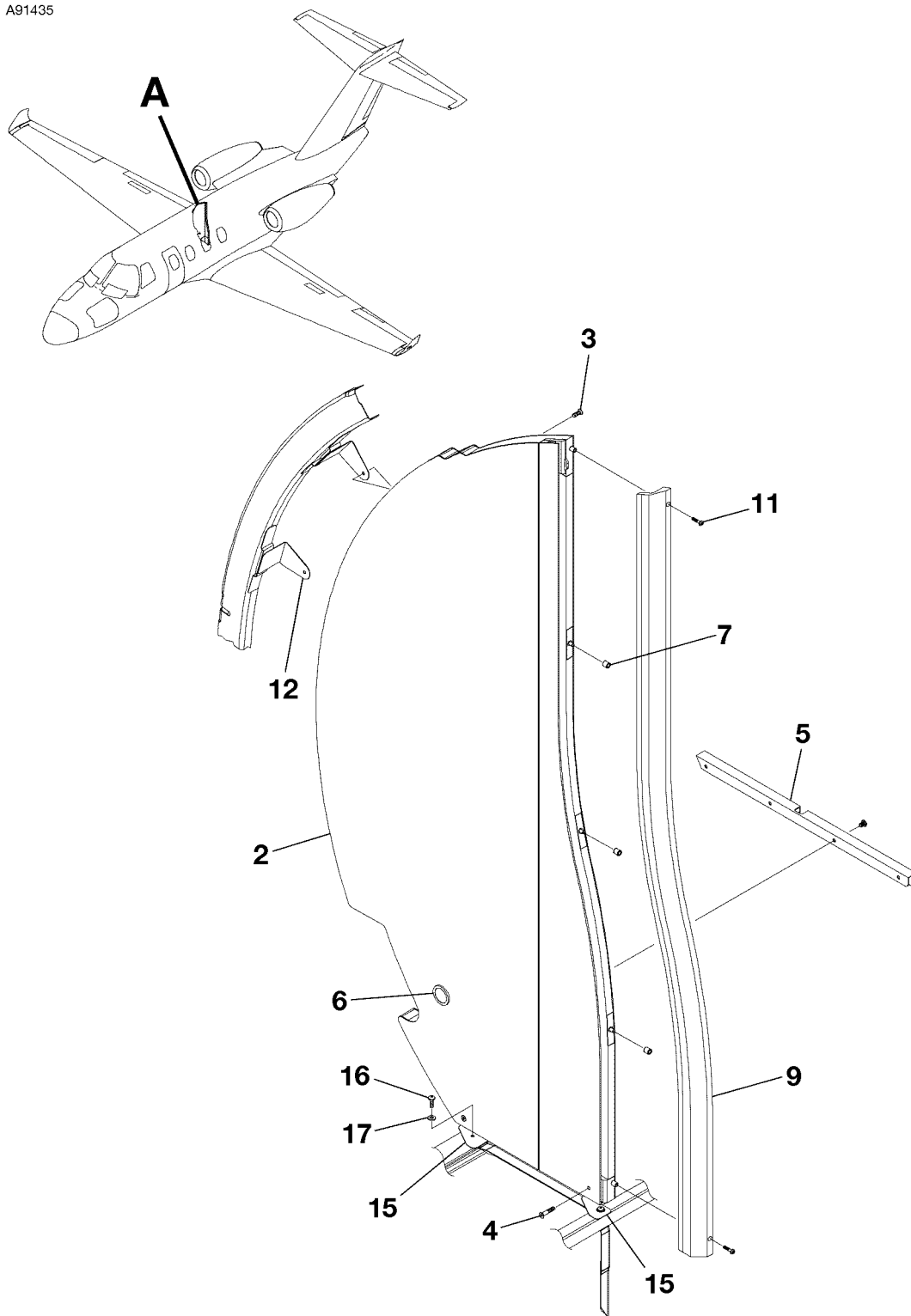
CESSNA®  
**MODEL 525 (SERIALS -0685 AND -0800 AND ON)**  
 ILLUSTRATED PARTS CATALOG

FIG ITEM	PART NUMBER	NOMENCLATURE	UNITS PER ASSY	
			1 2 3 4 5 6 7	
03		AFT CABIN DIVIDER - LH		RF
- 1	4799511-2	. COVER PANEL-LH AFT . . . . .	0800	0800 01 R
- 1A	4799511-8	. COVER PANEL-LH AFT . . . . .	0801	& ON 01 R
		. ATTACHING PARTS		
2	MS27980-11N	. FASTENER . . . . .		04 R
		—*—		
3	6319549-4	. BRACKET ASSY . . . . .		01 R
		. ATTACHING PARTS		
4	MS27039-1-09	. SCREW . . . . .		02 R
5	NAS1149F0332P	. WASHER . . . . .		02 R
		—*—		
- 6	MS21055L3	. . NUTPLATE . . . . .		02 R
- 7	6319549-5	. . TEE . . . . .		01 R
- 8	6319549-6	. . ANGLE . . . . .		01 R
9	4711688-1	. BRACKET-UPPER . . . . .		01 R
		. ATTACHING PARTS		
10	MS27039-1-10	. SCREW . . . . .		01 R
11	NAS1149F0332P	. WASHER . . . . .		01 R
		—*—		
12	4711111-6	. BRACKET ASSY . . . . .		02 R
		. ATTACHING PARTS		
13	MS27039-1-09	. SCREW . . . . .		02 R
14	NAS1149F0332P	. WASHER . . . . .		02 R
		—*—		
- 15	MS21055L3	. . NUTPLATE . . . . .		02 R
- 16	4711097-10	. . ANGLE . . . . .		01 R
- 17	4711097-9	. . TEE . . . . .		01 R
18	4711688-2	. BRACKET . . . . .		02 R
19	4711688-3	. BRACKET . . . . .		01 R
		. ATTACHING PARTS		
20	MS27039-1-08	. SCREW . . . . .		01 R
21	NAS1149F0332P	. WASHER . . . . .		01 R
		—*—		
22	4711111-4	. GUSSET ASSY . . . . .		01 R
		. ATTACHING PARTS		
23	MS27039-1-09	. SCREW . . . . .		02 R
24	NAS1149F0332P	. WASHER . . . . .		02 R
		—*—		
- 25	MS21055L3	. . NUTPLATE . . . . .		02 R
26	4711688-4	. BRACKET . . . . .		01 R
		. ATTACHING PARTS		
27	MS27039-1-09	. SCREW . . . . .		02 R
28	MS27039-1-08	. SCREW . . . . .		01 R
29	NAS1149F0332P	. WASHER . . . . .		03 R
		—*—		
30	4719004-4	. BRACKET . . . . .		01 R
		. ATTACHING PARTS		
31	MS27039-1-09	. SCREW . . . . .		02 R
32	MS27039-1-10	. SCREW . . . . .		01 R
33	NAS1149F0332P	. WASHER . . . . .		03 R
34	S1477-3	. NUT . . . . .		01 R
		—*—		
35	4719004-2	. BRACKET . . . . .		01 R
		. ATTACHING PARTS		
36	MS27039-1-09	. SCREW . . . . .		02 R
37	MS27039-1-08	. SCREW . . . . .		02 R
38	NAS1149F0332P	. WASHER . . . . .		04 R
		—*—		
39	4799411-3	. BEAM . . . . .		01 R
40	4799405-5	. THREAD BLOCK . . . . .		02 R
41	MS35206-231	. SCREW . . . . .		02 R
42	NAS514P632-7	. SCREW . . . . .		03 R
43	4799511-3	. AFT TRIM CAP-PAINT . . . . .	0800	0800 01 R
- 43A	4799511-9	. AFT TRIM CAP-PAINT . . . . .	0801	0874 01 R
- 43B	4799511-11	. AFT TRIM CAP-PAINT . . . . .	0875	& ON 01 R
- 44	4799511-6	. AFT TRIM CAP-VENEER/CARBON FIBER . . . . .	0800	0800 01 R
- 44A	4799511-10	. AFT TRIM CAP-ACCENT . . . . .	0801	0874 01 R
- 44B	4799511-12	. AFT TRIM CAP-ACCENT . . . . .	0875	& ON 01 R

- ITEM NOT ILLUSTRATED

CESSNA®  
MODEL 525 (SERIALS -0685 AND -0800 AND ON)  
ILLUSTRATED PARTS CATALOG

A91435



**DETAIL A**

AFT CABIN DIVIDER - RH  
FIGURE 04 (SHEET 1)

6310T1168  
A6319T1623

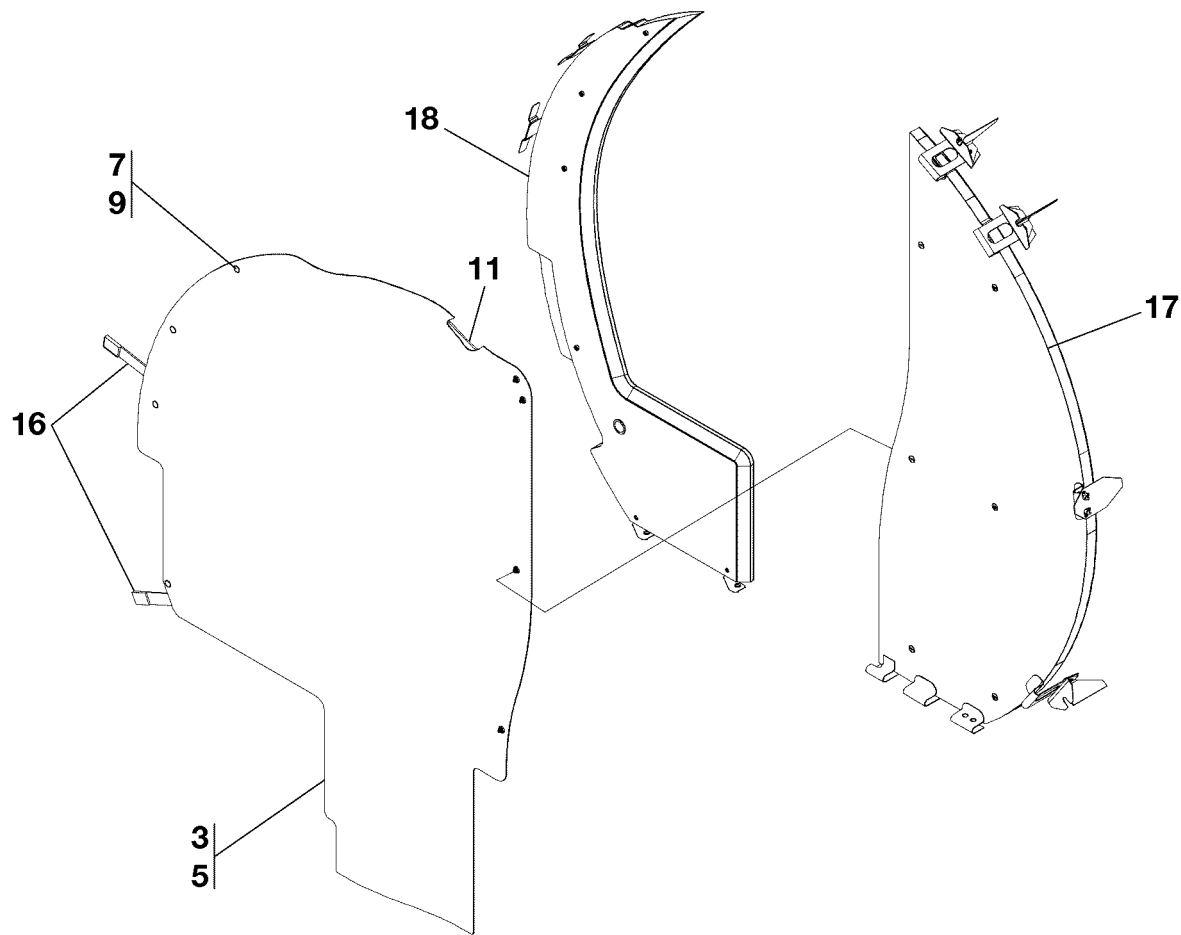
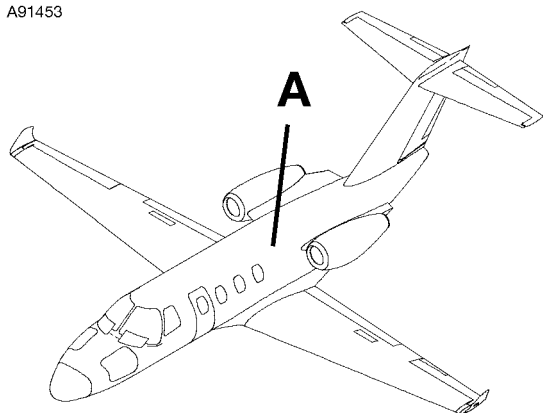
CESSNA®  
**MODEL 525 (SERIALS -0685 AND -0800 AND ON)**  
 ILLUSTRATED PARTS CATALOG

FIG ITEM	PART NUMBER	1 2 3 4 5 6 7	NOMENCLATURE	UNITS PER ASSY
04			AFT CABIN DIVIDER - RH	RF
- 1	4799512-1		. SLIM DIVIDER ASSY-RH AFT . . . . .	01
2	4799510-1		. FULL DIVIDER ASSY-RH AFT . . . . .	01
			ATTACHING PARTS	
3	MS24694-S52		. SCREW . . . . .	02 R
4	MS24694-S57		. SCREW . . . . .	02
			—*—	
5	4799512-2		. . BRACKET . . . . .	01
6	S2800-1086		. . LOUVER . . . . .	01
7	NAS43DD3-20N		. . SPACER-USED WITH FULL DIVIDER . . . . .	03
- 8	MS27980-11N		. . FASTENER . . . . .	AR
9	4799510-2		. AFT TRIM CAP-PAINT . . . . .	01
- 10	4799510-3		. AFT TRIM CAP-VENEER . . . . .	01
			ATTACHING PARTS	
11	MS35206-231		. SCREW . . . . .	02
			—*—	
12	4711949-2		. DIVIDER BRACKET ASSY. . . . .	02
- 13	4711949-3		. . HAT BRACKET . . . . .	01
- 14	4711949-4		. . BRACKET-UPR . . . . .	01
15	4711164-2		. BRACKET . . . . .	02
			ATTACHING PARTS	
16	MS27039-1-09		. SCREW . . . . .	01
17	NAS1149F0332P		. WASHER . . . . .	01
			—*—	

- ITEM NOT ILLUSTRATED

CESSNA®  
MODEL 525 (SERIALS -0685 AND -0800 AND ON)  
ILLUSTRATED PARTS CATALOG

A91453



**DETAIL A**

AFT CURTAIN  
FIGURE 01 (SHEET 1)

6310T1168  
A6319T1073

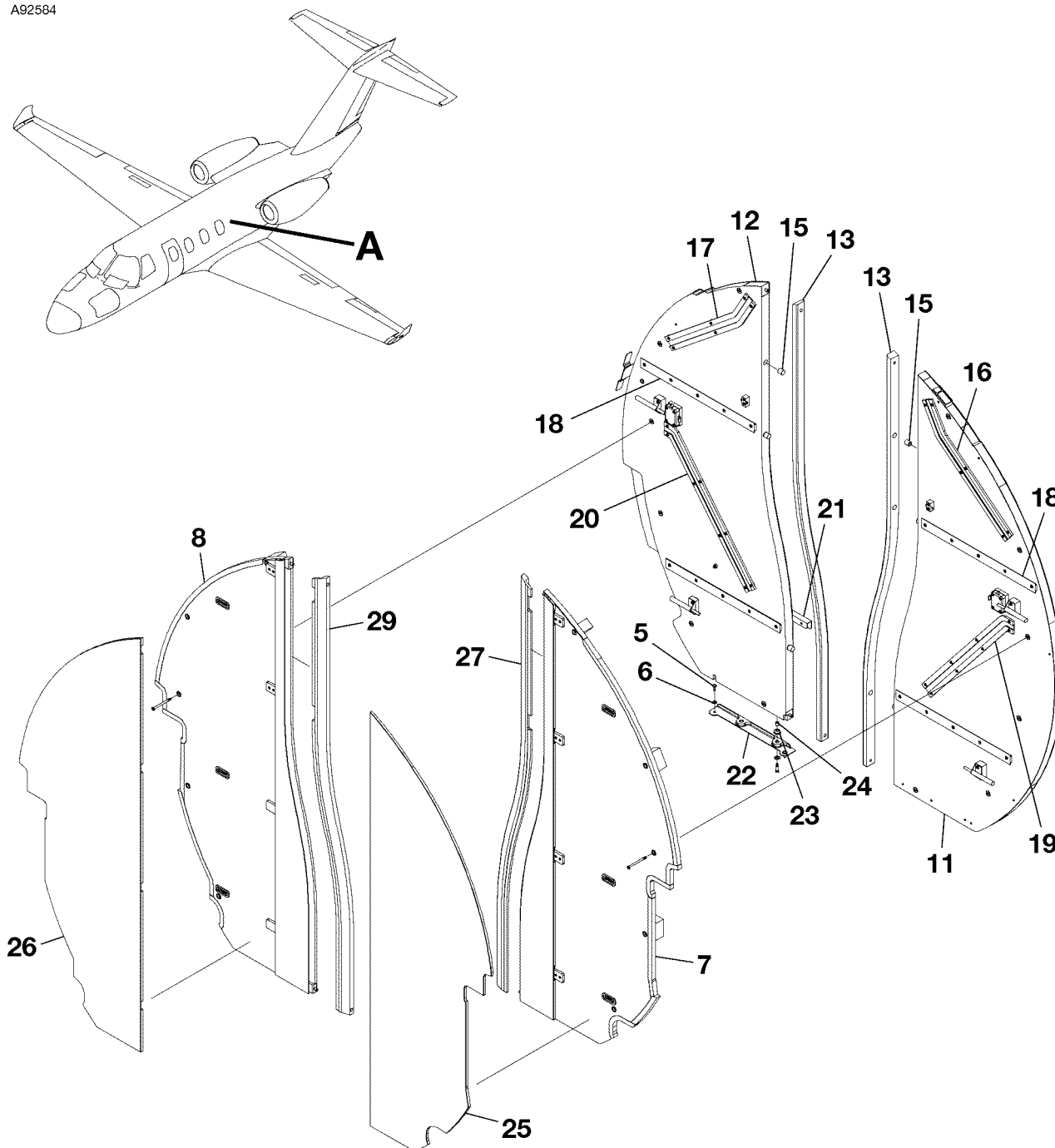
CESSNA®  
**MODEL 525 (SERIALS -0685 AND -0800 AND ON)**  
 ILLUSTRATED PARTS CATALOG

FIG ITEM	PART NUMBER	NOMENCLATURE	UNITS
			PER ASSY
01		AFT CURTAIN	RF
-			
- 1	4711962-3	. AFT CURTAIN ASSY . . . . .	01
- 2	4711962-4	. AFT CURTAIN ASSY-FULL DIVIDER . . . . .	01
- 3	4711962-5	. . FRONT CURTAIN . . . . .	01
- 4	4711962-7	. . FRONT CURTAIN-FULL DIVIDER . . . . .	01
- 5	4711962-6	. . BACK CURTAIN . . . . .	01
- 6	4711962-8	. . BACK CURTAIN-FULL DIVIDER . . . . .	01
		ATTACHING PARTS	
7	MS27980-1N	. . BUTTON . . . . .	08
- 8	MS27980-1N	. . BUTTON-FULL DIVIDER . . . . .	07
9	MS27980-6N	. . SOCKET . . . . .	08
- 10	MS27980-6N	. . SOCKET-FULL DIVIDER . . . . .	07
		—*—	
11	4711962-9	. . SUPPORT ASSY . . . . .	01
- 12	4711962-11	. . SUPPORT ASSY-FULL DIVIDER . . . . .	01
- 13	4711962-10	. . . CURTAIN SUPPORT . . . . .	01
- 14	4711962-12	. . . CURTAIN SUPPORT-FULL DIVIDER . . . . .	01
- 15	S2742-4	. . . TIP . . . . .	02
16	4711649-4	. . STRAP ASSY . . . . .	02
17		. DIVIDER-LH REFER TO 25-21-00 FIGURE 03 . . . . .	RF
18		. DIVIDER-RH REFER TO 25-21-00 FIGURE 04 . . . . .	RF

- ITEM NOT ILLUSTRATED

CESSNA®  
MODEL 525 (SERIALS -0685 AND -0800 AND ON)  
ILLUSTRATED PARTS CATALOG

A92584



**DETAIL A**

POCKET DOOR ASSEMBLY  
FIGURE 02 (SHEET 1)

6310T1168  
A6319T1642

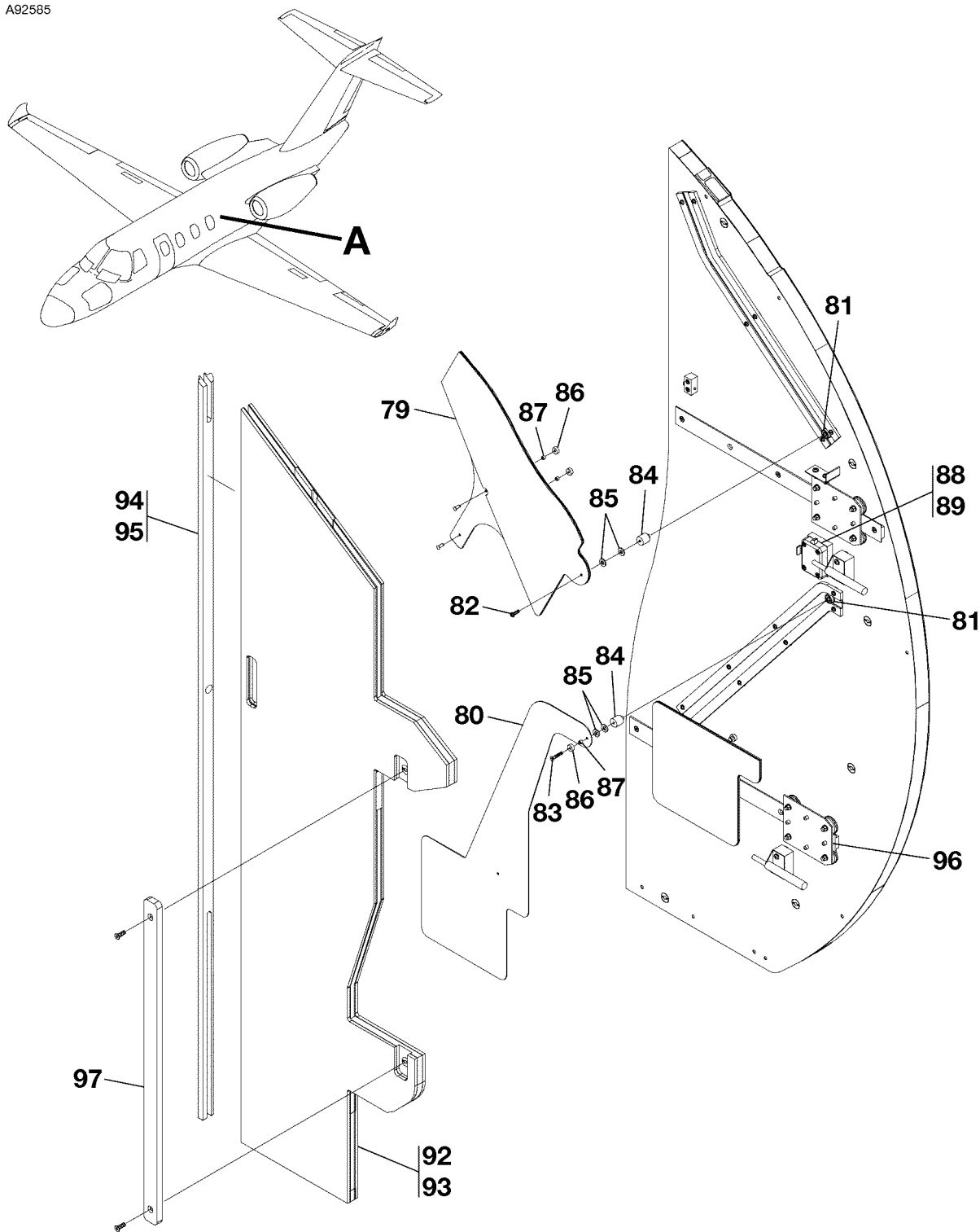
CESSNA®  
**MODEL 525 (SERIALS -0685 AND -0800 AND ON)**  
 ILLUSTRATED PARTS CATALOG

FIG ITEM	PART NUMBER	NOMENCLATURE	UNITS PER ASSY		
			1	2	3
02		POCKET DOOR ASSEMBLY			RF
-					
- 1	4779405-1	. POCKET DOOR ASSY-LH AFT . . . . .	0800	0874	01 R
- 1A	4779405-35	. POCKET DOOR ASSY-LH AFT . . . . .	0875	& ON	01 R
- 2	4779405-29	. POCKET DOOR ASSY-LH AFT WITH ACCENT . . . . .	0800	0874	01 R
- 2A	4779405-37	. POCKET DOOR ASSY-LH AFT WITH ACCENT . . . . .	0875	& ON	01 R
- 3	4779405-2	. POCKET DOOR ASSY-RH AFT . . . . .			01
- 4	4779405-30	. POCKET DOOR ASSY-RH AFT WITH ACCENT . . . . .			01
		ATTACHING PARTS			
5	MS27039-1-09	. SCREW-RH . . . . .			02
6	NAS1149F0332P	. WASHER-RH . . . . .			02
		—*—			
7	4779405-17	. . . . . PANEL ASSY-LH FWD . . . . .			01
8	4779405-18	. . . . . PANEL ASSY-RH FWD . . . . .			01
- 9	4779405-3	. . . . . PANEL ASSY-LH AFT . . . . .			01
- 10	4779405-4	. . . . . PANEL ASSY-RH AFT . . . . .			01
11	4779405-15	. . . . . PANEL-LH AFT . . . . .			01
12	4779405-16	. . . . . PANEL-RH AFT . . . . .			01
13	4779405-12	. . . . . TRIM ASSY-INBOARD . . . . .			01
- 14	NAS43DD1-19FC	. . . . . SPACER . . . . .			02
15	K-632W	. . . . . INSERT . . . . . V62139			03
16	130-1104-1	. . . . . PARTITION GUIDE-LH UPPER . . . . . V0YCE4			01
17	130-1104-2	. . . . . PARTITION GUIDE-RH UPPER . . . . . V0YCE4			01
18	130-1116-11	. . . . . ROLLER TRACK . . . . . V0YCE4			02
19	130-1104-3	. . . . . PARTITION GUIDE-LH LOWER . . . . . V0YCE4			01
20	130-1104-4	. . . . . PARTITION GUIDE-RH LOWER . . . . . V0YCE4			01
21	4799512-2	. . . . . BRACKET-RH . . . . .			01
22	4779405-23	. . . . . FLOOR FITTING-RH . . . . .			01
		ATTACHING PARTS			
23	G-521-1	. . . . . ISOLATOR . . . . . VEARC			02
24	S133-3-.310	. . . . . SPACER . . . . .			02
		—*—			
25	4779405-21	. . . . . COVER PANEL-LH . . . . .			01
26	4779405-22	. . . . . COVER PANEL-RH . . . . .			01
27	4779405-25	. . . . . TRIM ASSY-LH INBOARD . . . . .	0800	0874	01 R
- 27A	4779405-39	. . . . . TRIM ASSY-LH INBOARD . . . . .	0875	& ON	01 R
- 28	4779405-31	. . . . . TRIM-LH INBOARD WITH ACCENT . . . . .	0800	0874	01 R
- 28A	4779405-41	. . . . . TRIM-LH INBOARD WITH ACCENT . . . . .	0875	& ON	01 R
29	4779405-26	. . . . . TRIM ASSY-RH INBOARD . . . . .			01
- 30	4779405-32	. . . . . TRIM-RH INBOARD WITH ACCENT . . . . .			01
- 31	NAS43DD1-19FC	. . . . . SPACER . . . . .			02
- 32	4779405-13	. . . . . BRACKET . . . . .			04

- ITEM NOT ILLUSTRATED

CESSNA®  
MODEL 525 (SERIALS -0685 AND -0800 AND ON)  
ILLUSTRATED PARTS CATALOG

A92585



**DETAIL A**

POCKET DOOR ASSEMBLY  
FIGURE 02 (SHEET 2)

6310T1168  
A6319T1642



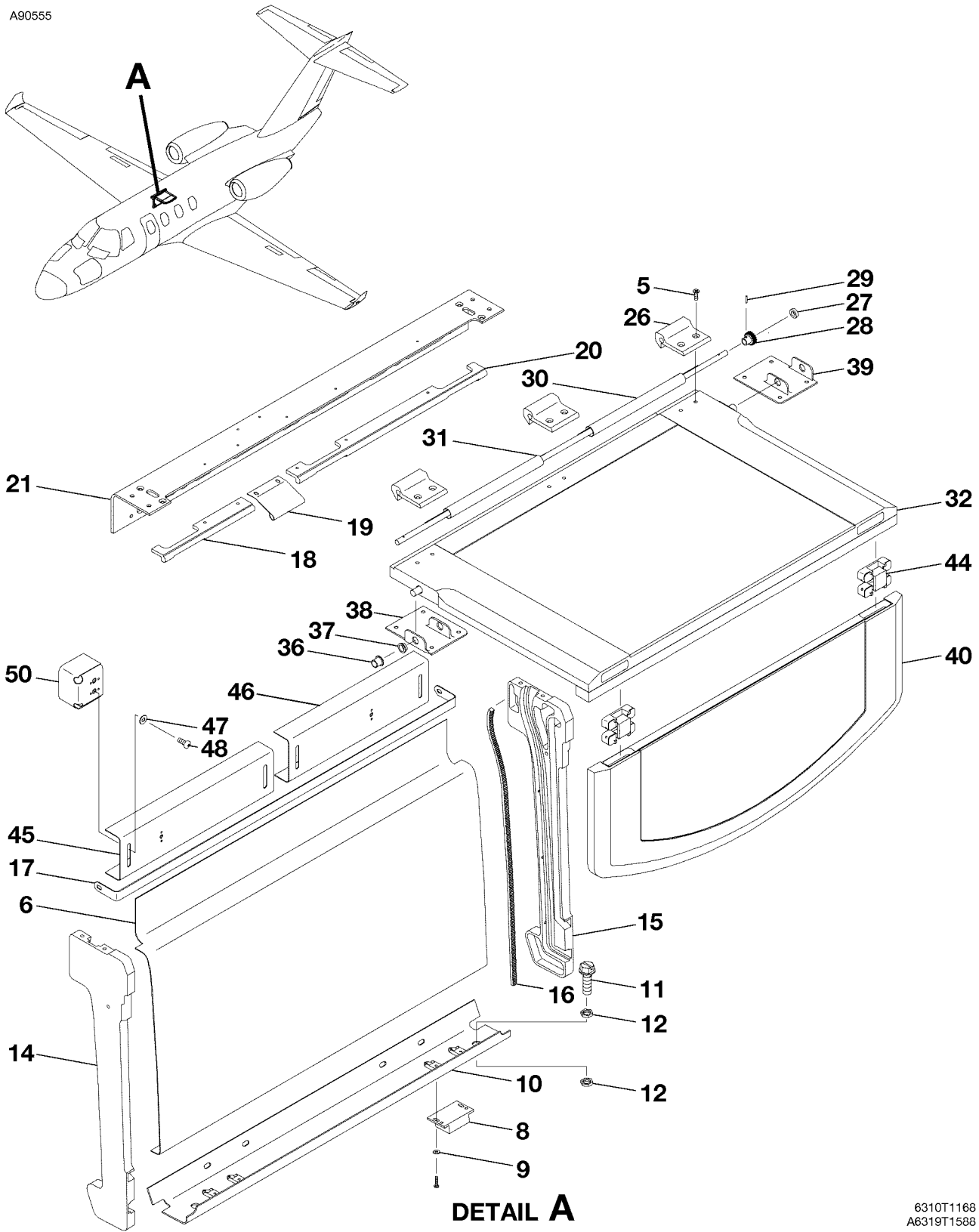
CESSNA®  
**MODEL 525 (SERIALS -0685 AND -0800 AND ON)**  
 ILLUSTRATED PARTS CATALOG

FIG ITEM	PART NUMBER	NOMENCLATURE	UNITS
			PER ASSY
02			
- 75	4779405-5	. . . POP-UP ASSY-LH . . . . .	01
- 76	4779405-6	. . . POP-UP ASSY-RH . . . . .	01
- 77	4779405-9	. . . POP-DOWN ASSY-LH . . . . .	01
- 78	4779405-10	. . . POP-DOWN ASSY-RH . . . . .	01
79	4779405-11	. . . PANEL-POP-UP . . . . .	01
80	4779405-33	. . . PANEL-POP-DOWN . . . . .	01
81	SFR3ZZ	. . . BEARING . . . . . V0YCE4	01
82	NAS601-8	. . . SCREW-POP-UP . . . . .	01
83	MS24693-S30	. . . SCREW-POP-DOWN . . . . .	01
84	130-1105-3	. . . SPACER . . . . . V0YCE4	01
85	NAS1149F363P	. . . WASHER . . . . .	02
86	R-2-ZZRA1	. . . BEARING . . . . . V0YCE4	02
87	NAS42DD4A8FC	. . . SPACER . . . . .	02
88	130-1107-1	. . . LATCH-LH . . . . . V0YCE4	01
89	130-1107-2	. . . LATCH-RH . . . . . V0YCE4	01
- 90	4779405-7	. . . SLIDING DOOR ASSY-LH . . . . .	01
- 91	4779405-8	. . . SLIDING DOOR ASSY-RH . . . . .	01
92	4779405-27	. . . SLIDING DOOR-LH . . . . .	01
93	4779405-28	. . . SLIDING DOOR-RH . . . . .	01
94	4779170-21	. . . DOOR TRIM-LH . . . . .	01
95	4779170-22	. . . DOOR TRIM-RH . . . . .	01
96	130-1116-4	. . . ROLLER PLATE ASSY . . . . .	02
97	4779170-23	. . . VERTICAL-POP-DOWN GUIDE . . . . .	01
- 98	4711949-2	. . . DIVIDER BRACKET ASSY-RH AFT POCKET DOOR . . . . . ATTACHING PARTS	02
- 99	MS27039-1-14	. . . SCREW . . . . .	01
- 100	NAS1149F0332P	. . . WASHER . . . . .	01
		*—	
- 101	4711949-4	. . . BRACKET-UPPER . . . . .	01
- 102	4711949-3	. . . BRACKET-HAT . . . . .	01

- ITEM NOT ILLUSTRATED

CESSNA®  
MODEL 525 (SERIALS -0685 AND -0800 AND ON)  
ILLUSTRATED PARTS CATALOG

A90555



**DETAIL A**

EXECUTIVE TABLE  
FIGURE 01 (SHEET 1)

6310T1168  
A6319T1588

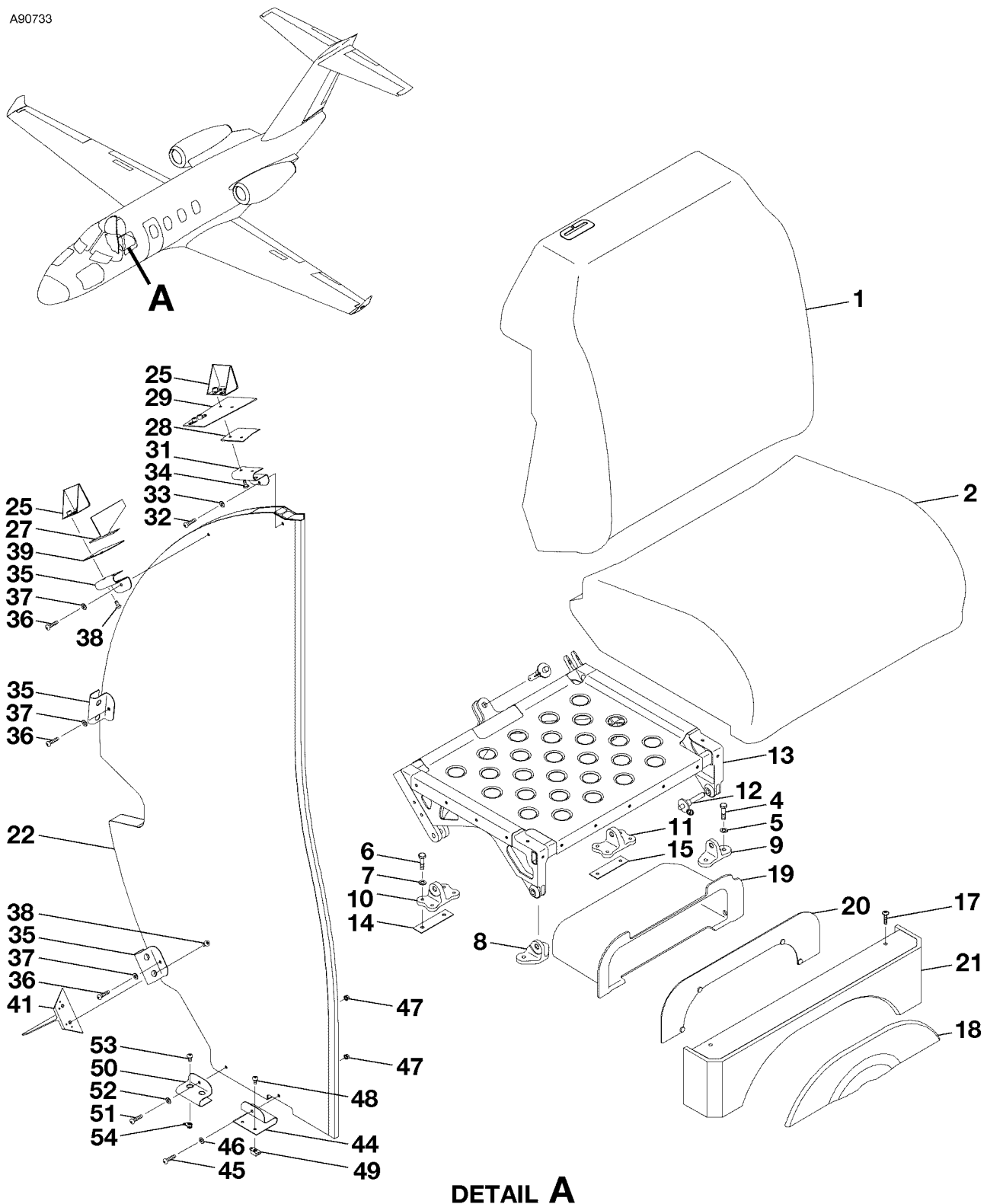
CESSNA®  
**MODEL 525 (SERIALS -0685 AND -0800 AND ON)**  
 ILLUSTRATED PARTS CATALOG

FIG ITEM	PART NUMBER	NOMENCLATURE	UNITS PER ASSY
01		EXECUTIVE TABLE	RF
- 1	4799507-1	. EXECUTIVE TABLE ASSY-LEATHER . . . . .	02
- 2	4799507-20	. EXECUTIVE TABLE ASSY-LEATHER AND LAMINATE . . . . .	02
- 3	4799507-2	. EXECUTIVE TABLE ASSY-LAMINATE . . . . .	02
- 4	4799507-21	. EXECUTIVE TABLE ASSY-FABRIC . . . . .	02
		ATTACHING PARTS	
5	MS27039-1-04	. SCREW . . . . .	06
		—*—	
6	4799507-17	. . . . . CLOSEOUT . . . . .	01
- 7	4799507-3	. . . . . FRAME ASSY . . . . .	01
8	C3-12-03	. . . . . CATCH-GRABBER DOOR . . . . . V94222	02
		ATTACHING PARTS	
9	NAS1149FN416P	. . . . . WASHER . . . . .	02
		—*—	
10	4799507-10	. . . . . SUPPORT ASSY-LWR . . . . .	01
		ATTACHING PARTS	
11	32W37516125	. . . . . WASHER CAP . . . . . V13764	02
12	0437516HJN	. . . . . JAM NUT . . . . . V13764	04
		—*—	
- 13	MS21061-04	. . . . . NUTPLATE . . . . .	04
14	4799507-11	. . . . . TRACK FRAME-FWD . . . . .	01
15	4799507-12	. . . . . TRACK FRAME-AFT . . . . .	01
16	220-1042-1	. . . . . RACK . . . . . VOYCE4	02
17	4799507-15	. . . . . STRAP SUPPORT . . . . .	01
18	4799507-18	. . . . . RUB BLOCK-SHORT . . . . .	01
19	4799507-16	. . . . . BUMPER . . . . .	01
20	4799507-19	. . . . . RUB BLOCK-LONG . . . . .	01
21	4799507-14	. . . . . BRACKET-UPR SUPPORT . . . . .	01
- 22	4799507-4	. . . . . TABLE ASSY-LEATHER . . . . .	01
- 23	4799507-22	. . . . . TABLE ASSY-LEATHER AND LAMINATE . . . . .	01
- 24	4799507-7	. . . . . TABLE ASSY-LAMINATE . . . . .	01
- 25	4799507-25	. . . . . TABLE ASSY-FABRIC . . . . .	01
26	4799403-10	. . . . . BEARING BLOCK . . . . .	03
27	190-1062-2	. . . . . TRACK BEARING . . . . . VOYCE4	02
28	130-1010-17	. . . . . GEAR . . . . . VGLEN	02
29	NAS561-2-6	. . . . . PIN . . . . .	02
30	130-1010-9	. . . . . SPRING . . . . . VGLEN	01
31	130-1010-8	. . . . . SPRING . . . . . VGLEN	01
32	4799507-5	. . . . . PRIMARY LEAF-LEATHER . . . . .	01
- 33	4799507-23	. . . . . PRIMARY LEAF-LEATHER AND LAMINATE . . . . .	01
- 34	4799507-8	. . . . . PRIMARY LEAF-LAMINATE . . . . .	01
- 35	4799507-26	. . . . . PRIMARY LEAF-FABRIC . . . . .	01
		ATTACHING PARTS	
36	FFB56-3	. . . . . BEARING . . . . . V71366	01
37	12WS0930	. . . . . SHOULDER WASHER . . . . . V13764	02
		—*—	
38	4799403-14	. . . . . PIN SUPPORT BRACKET-FWD . . . . .	01
39	4799403-15	. . . . . PIN SUPPORT BRACKET-AFT . . . . .	01
40	4799507-6	. . . . . SECONDARY LEAF-LEATHER . . . . .	01
- 41	4799507-24	. . . . . SECONDARY LEAF-LEATHER AND LAMINATE . . . . .	01
- 42	4799507-9	. . . . . SECONDARY LEAF-LAMINATE . . . . .	01
- 43	4799507-27	. . . . . SECONDARY LEAF-FABRIC . . . . .	01
44	HCTH-4S-180L	. . . . . HINGE . . . . . VMOIN	02
45	4711975-3	. . . . . INTERCOSTAL ASSY-FWD . . . . .	02
46	4711975-5	. . . . . INTERCOSTAL ASSY-AFT . . . . .	02
		ATTACHING PARTS	
47	MS27039-1-08	. . . . . SCREW . . . . .	04
48	NAS1149F0332P	. . . . . WASHER . . . . .	04
		—*—	
- 49	MS21075L3N	. . . . . NUTPLATE . . . . .	01
50	4711975-7	. . . . . BRACKET ASSY . . . . .	08
- 51	MS21075L3N	. . . . . NUTPLATE . . . . .	02

- ITEM NOT ILLUSTRATED

CESSNA®  
**MODEL 525 (SERIALS -0685 AND -0800 AND ON)**  
 ILLUSTRATED PARTS CATALOG

A90733



**DETAIL A**

SIDE FACING SEAT (SFS)  
 FIGURE 01 (SHEET 1)

6310T1168  
 A6319T1602

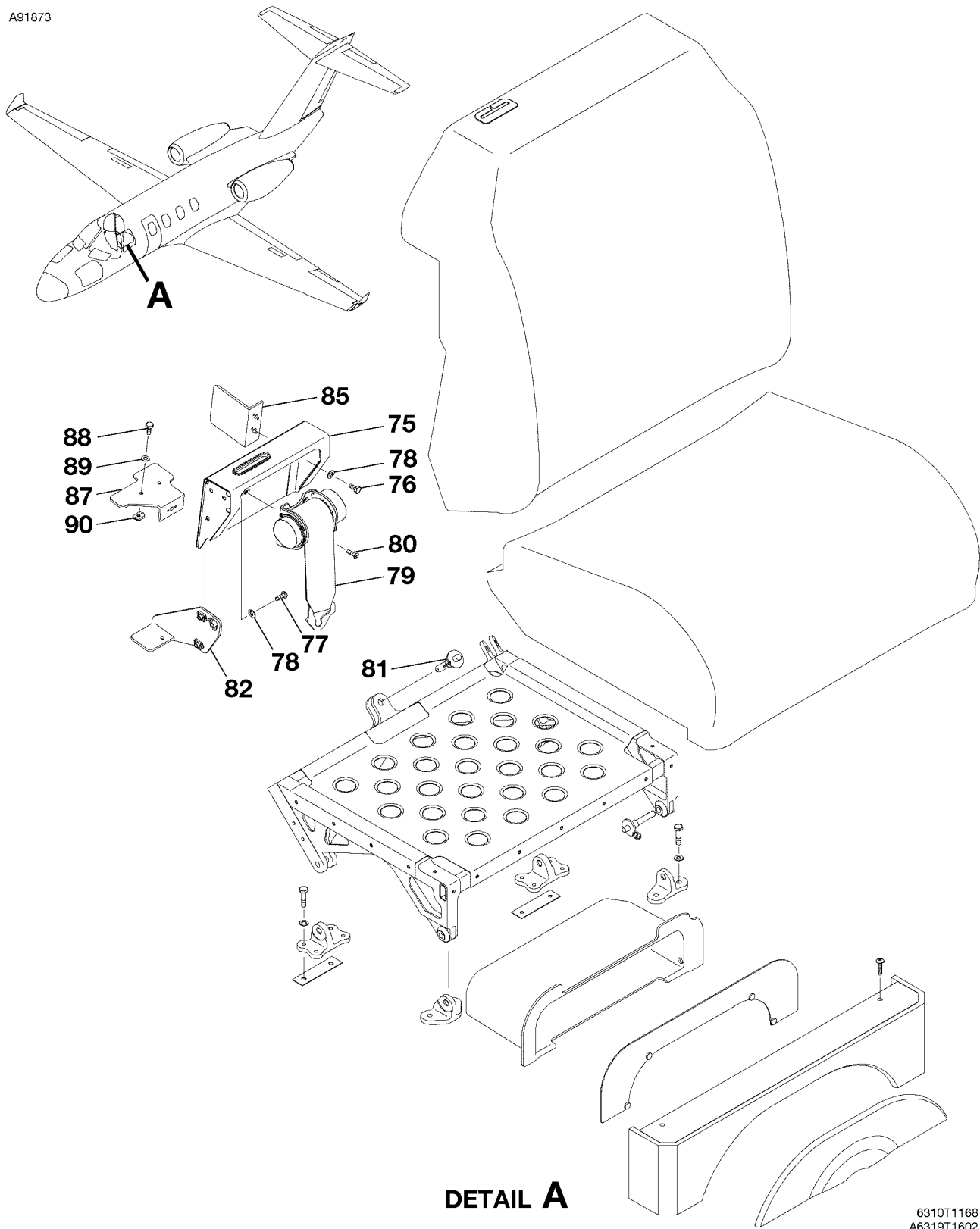
CESSNA®  
**MODEL 525 (SERIALS -0685 AND -0800 AND ON)**  
 ILLUSTRATED PARTS CATALOG

FIG ITEM	PART NUMBER	NOMENCLATURE	UNITS PER ASSY	
		1 2 3 4 5 6 7		
01				
-		SIDE FACING SEAT (SFS)		RF
1	4711908-3	. BACK CUSHION ASSY . . . . .		01
2	4711940-2	. SEAT CUSHION ASSY . . . . .		01
- 3	4711919-1	. FRAME ASSY . . . . .		01
		ATTACHING PARTS		
4	AN4-10A	. BOLT . . . . .		04
5	NAS1149F0432P	. WASHER . . . . .		04
6	AN3-6A	. BOLT . . . . .		08
7	NAS1149F0332P	. WASHER . . . . .		08
		—*—		
8	4711919-2	. . ATTACHMENT FITTING . . . . .		01
9	4711919-3	. . ATTACHMENT FITTING . . . . .		01
10	4711919-4	. . ATTACHMENT FITTING . . . . .		01
11	4711919-5	. . ATTACHMENT FITTING . . . . .		01
12	MS17984C511	. . PIN . . . . .		04
13	4710105-1	. . FRAME ASSY-SIDE FACING SEAT . . . . .		01
14	4711967-6	. . SPACER-FWD . . . . .		01
15	4711097-4	. . SHIM-AFT . . . . .		01
- 16	4799515-1	. FASCIA ASSY . . . . .	0800	0955
- 16A	4799515-4	. FASCIA ASSY . . . . .	0956	& ON
		ATTACHING PARTS		
17	AN525-10R14	. SCREW . . . . .		02
		—*—		
18	4799504-3	. . LIFEVEST DOOR ASSY . . . . .	0800	0955
- 18A	4799504-9	. . LIFEVEST DOOR ASSY . . . . .	0956	& ON
19	4799515-3	. . LIFEVEST CUP . . . . .		01
20	4799504-6	. . DOOR SPACER ASSY . . . . .		01
21	4799515-2	. . FASCIA-SIDE FACING SEAT . . . . .		01
22	4799501-1	. . DIVIDER ASSY-PAINT REFER TO NOTE 2 . . . . .		01
- 23	4799501-3	. . DIVIDER ASSY-VENEER REFER TO NOTE 2 . . . . .		01
- 24	4799501-2	. . DIVIDER BEAM . . . . .		01
- 24A	4799517-1	. . DIVIDER ASSY-USED WITH EXTENDED RECLINE REFER TO NOTE 1 . . . . .		01
25	4711097-13	. . GUSSET ASSY . . . . .		02
- 26	MS21055L3	. . NUTPLATE . . . . .		02
27	4711097-18	. . TEE . . . . .		01
28	4711097-19	. . PLATE . . . . .		01
29	4711097-34	. . PLATE ASSY . . . . .		01
- 30	MS21071L08	. . NUTPLATE . . . . .		02
31	4711912-2	. BRACKET-UPPER . . . . .		01
		ATTACHING PARTS		
32	MS27039-1-14	. SCREW REFER TO NOTE 2 . . . . .		01
- 32A	MS27039-1-06	. SCREW-USED WITH EXTENDED RECLINE REFER TO NOTE 1 . . . . .		01
33	NAS1149F0332P	. WASHER . . . . .		01
34	MS27039C1-09	. SCREW . . . . .		02
		—*—		
35	4711912-2	. BRACKET . . . . .		03
		ATTACHING PARTS		
36	MS27039-1-06	. SCREW . . . . .		01
37	NAS1149F0332P	. WASHER . . . . .		01
38	MS27039C1-09	. SCREW . . . . .		02
		—*—		
39	4711097-17	. PLATE . . . . .		01
- 40	4711097-10	. . ANGLE . . . . .		01
41	4711097-8	. BRACKET ASSY . . . . .		01
- 42	4711097-9	. . TEE . . . . .		01
- 43	MS21055L3	. . NUTPLATE . . . . .		02
44	4711912-4	. BRACKET . . . . .		01
		ATTACHING PARTS		
45	MS27039-1-24	. SCREW . . . . .		01
46	NAS1149F0332P	. WASHER . . . . .		01
47	MS21042L3	. NUT . . . . .		01
48	MS27039C1-09	. SCREW . . . . .		02
49	MS21059L3	. NUTPLATE . . . . .		02
		—*—		
50	4711912-3	. BRACKET . . . . .		01
		ATTACHING PARTS		
51	MS27039-1-06	. SCREW . . . . .		01
52	NAS1149F0332P	. WASHER . . . . .		01
53	MS27039C1-09	. SCREW . . . . .		02
54	MS21074L3	. NUTPLATE . . . . .		02 R
		—*—		

NOTE 1—AIRPLANES -0800 AND ON INCORPORATING SB525-25-30.  
 NOTE 2—AIRPLANES -0800 AND ON NOT INCORPORATING SB525-25-30.

CESSNA®  
MODEL 525 (SERIALS -0685 AND -0800 AND ON)  
ILLUSTRATED PARTS CATALOG

A91873



**DETAIL A**

SIDE FACING SEAT (SFS)  
FIGURE 01 (SHEET 2)

6310T1168  
A6319T1602

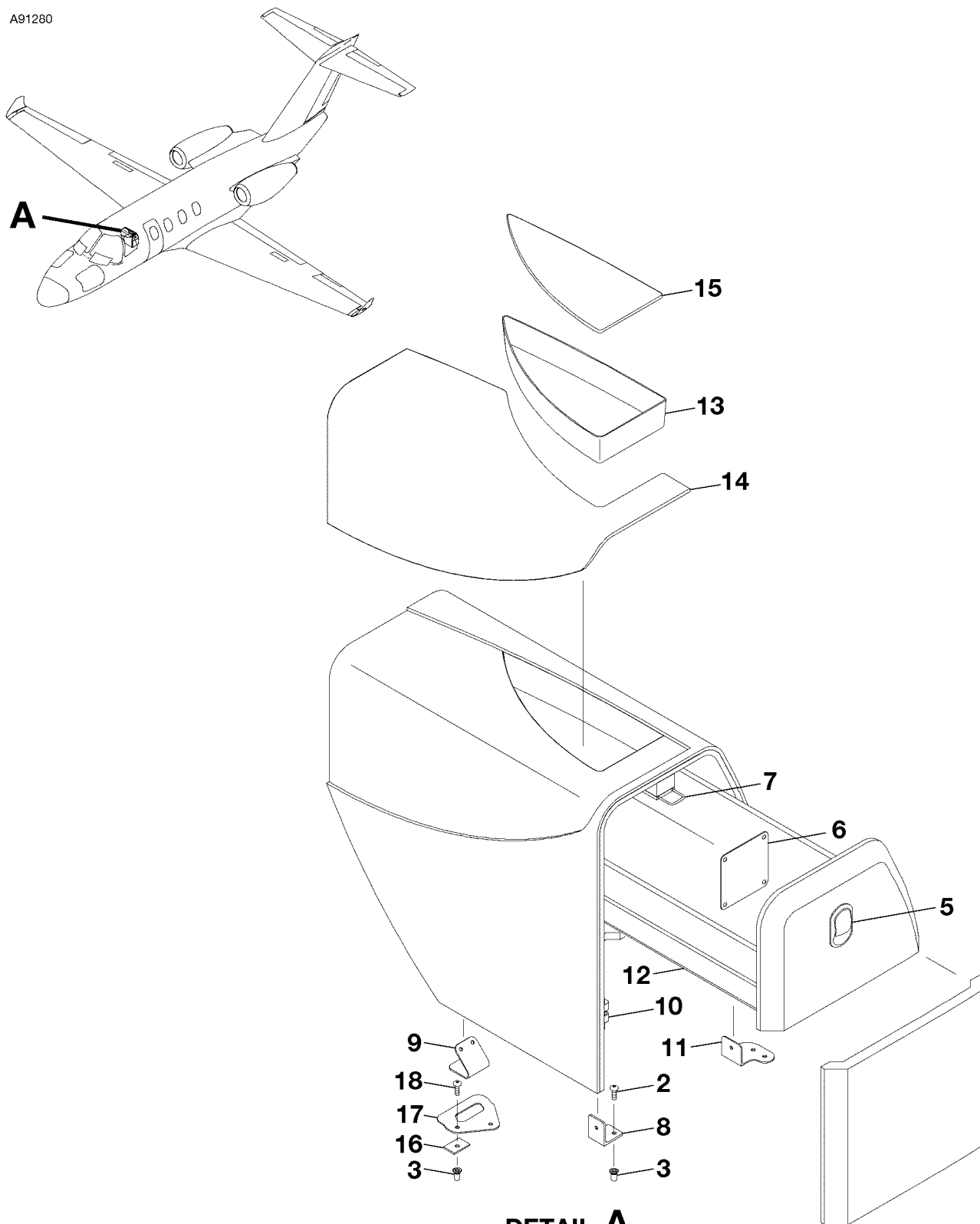
CESSNA®  
**MODEL 525 (SERIALS -0685 AND -0800 AND ON)**  
 ILLUSTRATED PARTS CATALOG

FIG ITEM	PART NUMBER	NOMENCLATURE	UNITS
			PER ASSY
01			
75	4711685-1	. HOUSING ASSY . . . . . ATTACHING PARTS	01
76	AN3C4A	. BOLT . . . . .	03
77	MS27039-1-09	. SCREW . . . . .	03
78	NAS1149F0332P	. WASHER . . . . . —*—	06
79	9919118-3	. RESTRAINT ASSY-RH SIDE FACING SEAT . . . . . ATTACHING PARTS	01
80	MS24693-S273	. SCREW . . . . .	02
81	MS17984C609	. PIN . . . . . —*—	02
82	4711685-4	. BRACKET ASSY-FWD . . . . .	01
- 83	MS21055L3	. . . NUTPLATE . . . . .	01
- 84	MS21059L3	. . . NUTPLATE . . . . .	02
85	4711685-8	. BRACKET ASSY-AFT . . . . .	01
- 86	MS21059L3	. . . NUTPLATE . . . . .	02
87	4711685-6	. BRACKET ASSY . . . . . ATTACHING PARTS	01
88	AN3C4A	. BOLT . . . . .	03
89	NAS1149F0332P	. WASHER . . . . .	03
90	MS21075L3	. NUTPLATE . . . . . —*—	03
- 91	MS21059L3	. . . NUTPLATE . . . . .	01

- ITEM NOT ILLUSTRATED

CESSNA®  
MODEL 525 (SERIALS -0685 AND -0800 AND ON)  
ILLUSTRATED PARTS CATALOG

A91280



**DETAIL A**

SIDE FACING SEAT ARMREST  
FIGURE 02 (SHEET 1)

6310T1168  
A6319T1618



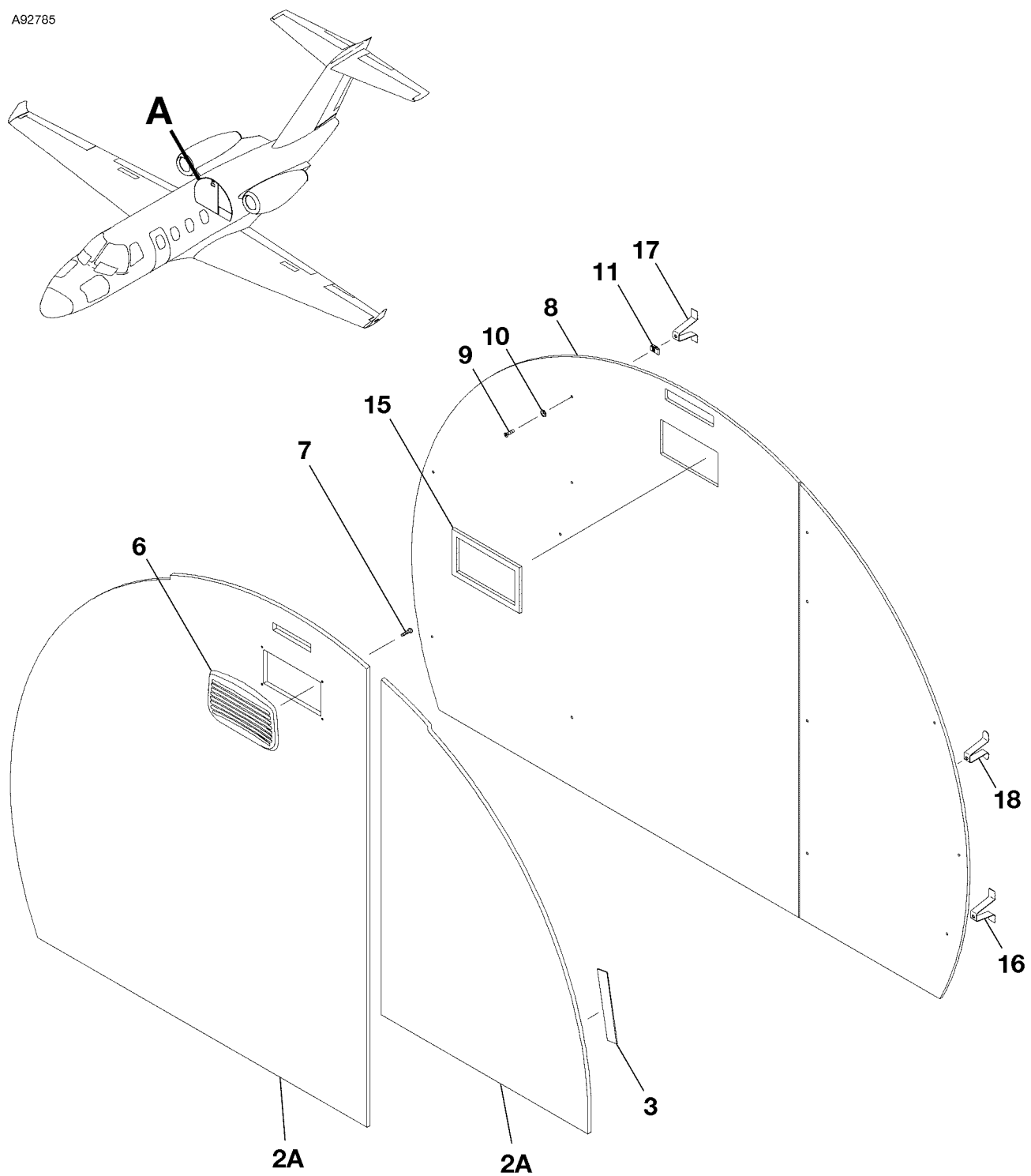
CESSNA®  
**MODEL 525 (SERIALS -0685 AND -0800 AND ON)**  
 ILLUSTRATED PARTS CATALOG

FIG ITEM	PART NUMBER	NOMENCLATURE	UNITS
			PER ASSY
		1 2 3 4 5 6 7	
02			
-		SIDE FACING SEAT ARMREST	RF
- 1	4799503-1	. ARMREST ASSY-RH SIDE FACING SEAT . . . . .	01
		. ATTACHING PARTS	
2	MS27039C1-09	. SCREW . . . . .	06
3	NAS1329A3K80	. NUT . . . . .	05
		—*—	
- 4	4799503-2	. . CABINET . . . . .	01
5	SAM196-4	. . . LATCH . . . . . V31845	01
6	190-1002-1	. . . LATCH PLATE . . . . . VGLEN	01
7	6319520-14	. . . STRIKER ASSY . . . . .	01
8	4711097-2	. . . BRACKET . . . . .	01
9	4799400-4	. . . BRACKET . . . . .	01
10	MKK240R	. . . DOUBLE BALL CATCH . . . . . V62139	03
11	4799400-5	. . . BRACKET . . . . .	02
12	A5210-16P	. . . SLIDE ASSY . . . . . V52607	02
13	4799503-5	. . . POCKET SUPPORT CUP . . . . .	01
14	4799503-3	. . ARMREST CAP . . . . .	01
15	4799503-6	. . INSERT PAD . . . . .	01
16	4711097-3	. SHIM . . . . .	01
17	4711678-2	. BRACKET . . . . .	01
		. ATTACHING PARTS	
18	MS27039C1-09	. SCREW . . . . .	02
		—*—	

- ITEM NOT ILLUSTRATED

CESSNA®  
MODEL 525 (SERIALS -0685 AND -0800 AND ON)  
ILLUSTRATED PARTS CATALOG

A92785



**DETAIL A**

AFT BULKHEAD UPHOLSTERY  
FIGURE 01 (SHEET 1)

6310T1168  
A6319T1643

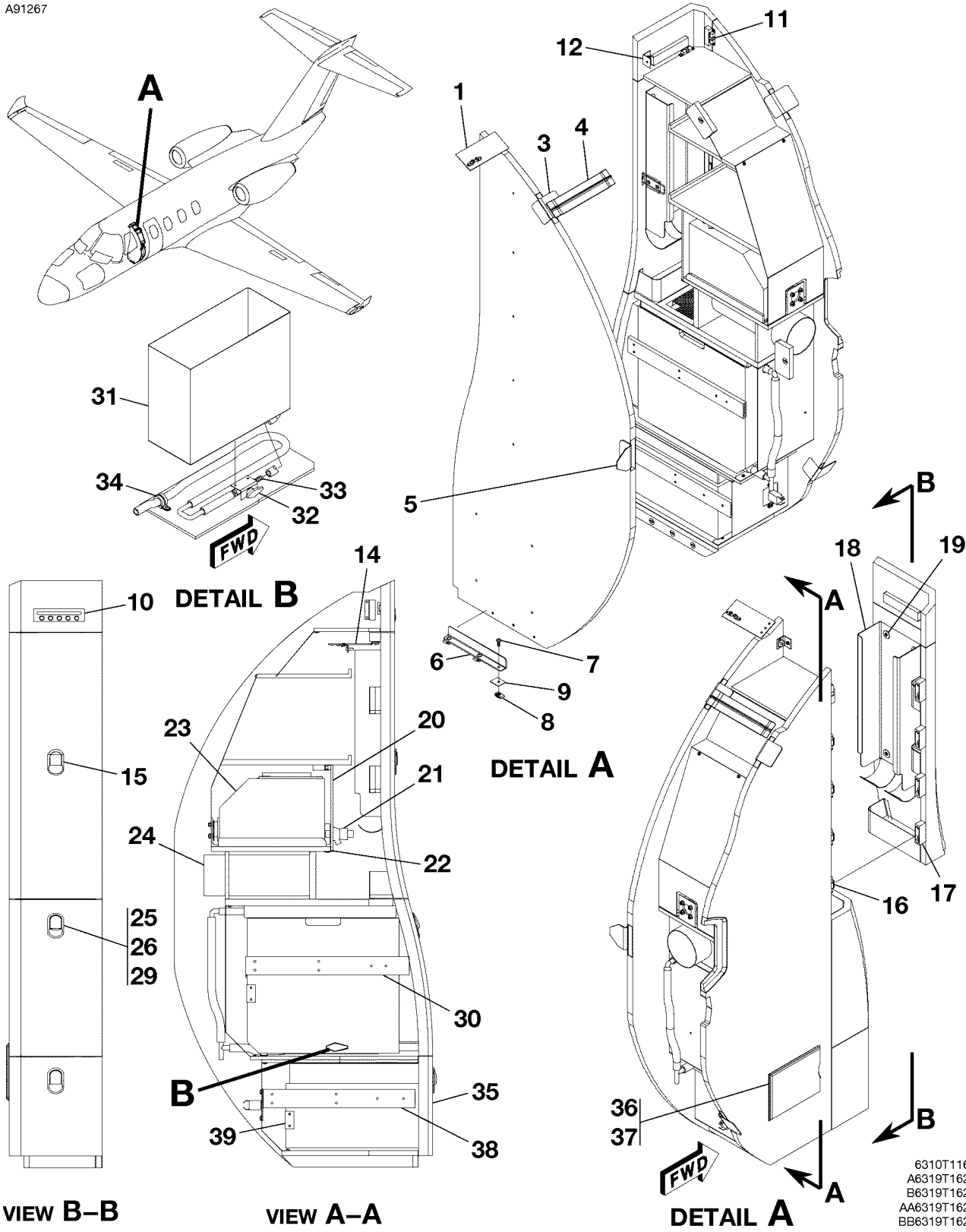
CESSNA®  
**MODEL 525 (SERIALS -0685 AND -0800 AND ON)**  
 ILLUSTRATED PARTS CATALOG

FIG ITEM	PART NUMBER	NOMENCLATURE	UNITS PER ASSY		
			1	2	3
01		AFT BULKHEAD UPHOLSTERY			RF
- 1	4711859-7	. COVER PANEL ASSY-LH REFER TO NOTE 1 . . . . .	0800	0800	01
- 2	4711859-8	. COVER PANEL ASSY-RH REFER TO NOTE 1 . . . . .	0800	0800	01
2A	4711859-11	. COVER PANEL ASSY REFER TO NOTE 1 . . . . .	0801	& ON	01
		ATTACHING PARTS			
3	F990328	. FABRIC FASTENER-BKI . . . . . V26066			AR
		—*—			
- 4	4711635-5	. SIGN BRACKET ASSY-RH . . . . .	0800	0879	01 R
- 4A	4717103-13	. SIGN BRACKET ASSY-RH . . . . .	0880	& ON	01 R
- 5	MS21059L06	. . NUTPLATE . . . . .	0800	0879	02 R
- 5A	MS21059L04	. . NUTPLATE . . . . .	0880	& ON	02 R
6	4717178-1	. VENT GRILL . . . . .			01
		ATTACHING PARTS			
7	MS35206-244	. SCREW . . . . .			04
		—*—			
8	4711629-1	. PANEL ASSY . . . . .			01
		ATTACHING PARTS			
9	MS24694-S54	. SCREW . . . . .			12
10	S1542-2	. WASHER . . . . .			08
11	S1477-3	. NUT . . . . .			12
		—*—			
- 12	4711629-2	. . BULKHEAD PANEL-LH . . . . .			01
- 13	4711629-3	. . BULKHEAD PANEL-RH . . . . .			01
- 14	4711629-7	. . DIMPLE PLATE . . . . .			04
15	4711630-2	. FOAM GASKET . . . . .			01
16	5514705-10	. SUPPORT . . . . .			03
17	6319065-2	. SUPPORT . . . . .			06
18	6319065-3	. SUPPORT . . . . .			03

NOTE 1—WHEN ORDERING THIS PART, PROVIDE AIRPLANE MODEL AND SERIAL NUMBER.

CESSNA®  
**MODEL 525 (SERIALS -0685 AND -0800 AND ON)**  
 ILLUSTRATED PARTS CATALOG

A91267



REFRESHMENT CENTER WITH HOT LIQUID TANK - LH FORWARD  
 FIGURE 01 (SHEET 1)

6310T1168  
 A6319T1620  
 B6319T1620  
 AA6319T1620  
 BB6319T1620

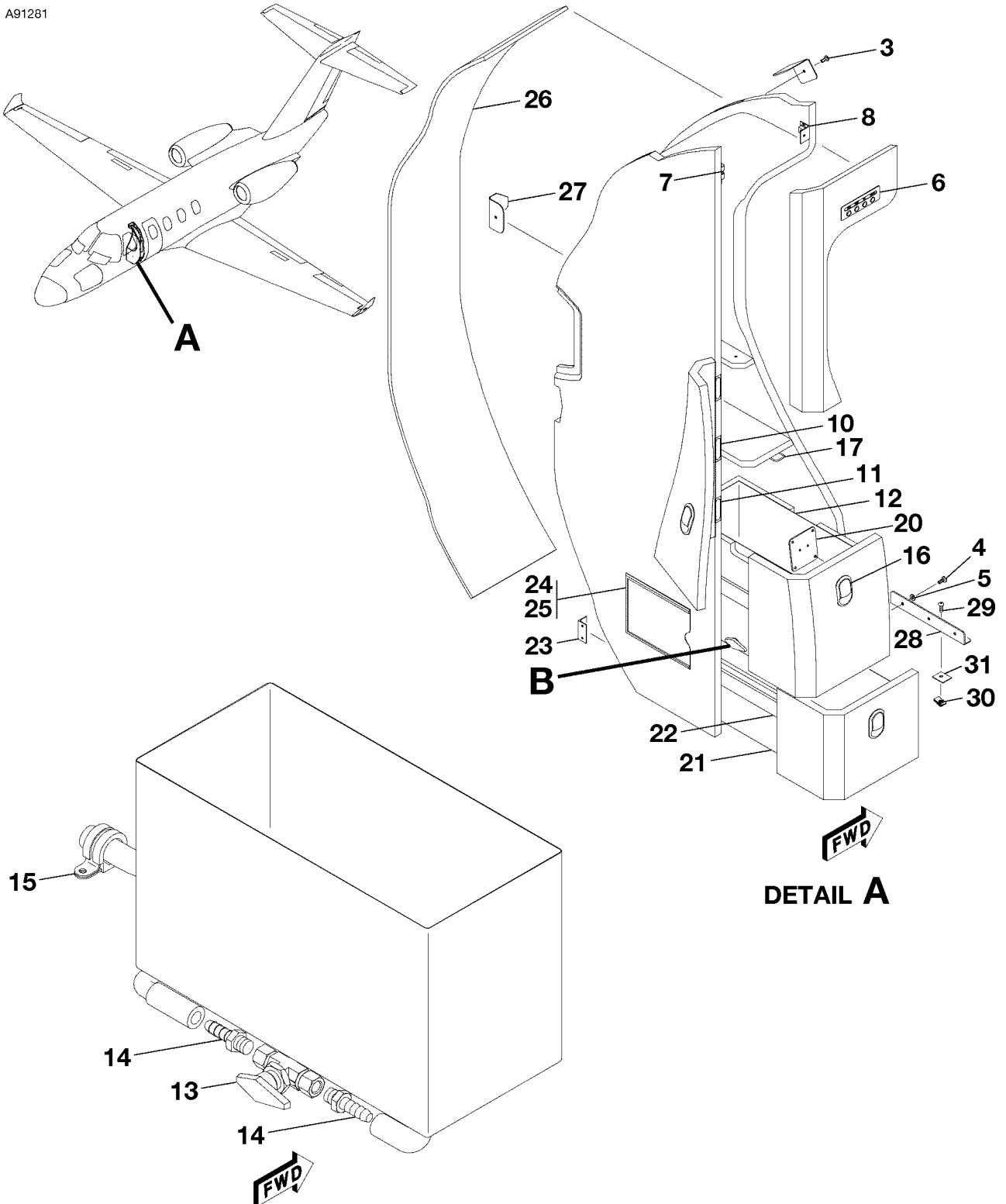
CESSNA®  
**MODEL 525 (SERIALS -0685 AND -0800 AND ON)**  
 ILLUSTRATED PARTS CATALOG

FIG ITEM	PART NUMBER	NOMENCLATURE	UNITS
			PER ASSY
		1 2 3 4 5 6 7	
01		REFRESHMENT CENTER WITH HOT LIQUID TANK - LH FORWARD	RF
-			
1	4711097-37	. PLATE ASSY . . . . .	01
- 2	MS21071L08	. . NUTPLATE . . . . .	02
3	4711914-2	. BRACKET . . . . .	03
4	4711088-3	. LONGERON . . . . .	01
5	4711914-3	. BRACKET . . . . .	01
6	4711914-4	. ANGLE . . . . .	01
		ATTACHING PARTS	
7	MS27039-1-09	. SCREW . . . . .	03
8	S1477-3	. NUT . . . . .	03
		—*—	
9	4711088-4	. SHIM . . . . .	01
10	101001-393	. SWITCH PANEL . . . . . VMCCI	01
11	MKK240R	. DOUBLE BALL CATCH . . . . . V62139	02
12	4599706-7	. CLOSEOUT BRACKET ASSY . . . . .	01
- 13	MS21059L08	. . NUTPLATE . . . . .	01
14	472	. DOOR STAY . . . . . V62139	01
15	SAM196-7	. LATCH . . . . . V31845	01
16	ILDH-4A-180	. HINGE . . . . . VMOIN	04
17	190-1049-1	. HINGE BLOCK . . . . . V0YCE4	08
18	130-1009-14	. POP CAN DISPENSER . . . . . V0YCE4	01
19	S3881-3	. WASHER . . . . .	04
20	245.54.514	. MINI TOUCH LATCH . . . . . VHAAM	01
21	190-1010-1	. LOCKING SPIGOT . . . . . V0YCE4	01
22	130-1009-10	. RETAINER LIP . . . . . VGLEN	01
23	200-1003-1	. HOT TANK ASSY . . . . . VGLEN	01
24	130-1118-12	. CUP DISPENSER ASSY . . . . . V0YCE4	01
25	SAM196-4	. LATCH . . . . . V31845	02
26	6319520-14	. STRIKER ASSY . . . . .	03
- 27	6319520-26	. . PLATE-STRIKER . . . . .	02
- 28	6319520-25	. . WIRE STRIKER . . . . .	01
29	6319520-28	. PLATE-LATCH COVER . . . . .	02
30	A5210-14P	. SLIDE ASSY . . . . . V52607	02
31	4799500-6	. ICE CHEST-WITH OVERBOARD DRAIN . . . . .	01
32	2F-B2LJ-BP	. BALL VALVE . . . . . V30780	01
33	KF06-02PS	. HOSE BARB . . . . . V43223	02
34	AS21919WDG12	. CLAMP . . . . .	01
35	4799500-5	. TRASH CONTAINER . . . . .	01
36	4799500-2	. HOLDER ASSY . . . . .	01
37	99K32.03	. CIRCULAR MAGNET . . . . . VLVTL	04
38	A5210-13P	. SLIDE ASSY . . . . . V52607	02
39	190-1008-1	. DRAWER STOP . . . . . VGLEN	02

- ITEM NOT ILLUSTRATED

CESSNA®  
**MODEL 525 (SERIALS -0685 AND -0800 AND ON)**  
 ILLUSTRATED PARTS CATALOG

A91281



**DETAIL B**

**DETAIL A**

STORAGE CABINET - LH FORWARD  
 FIGURE 02 (SHEET 1)

6310T1168  
 A6319T1619  
 B6319T1619

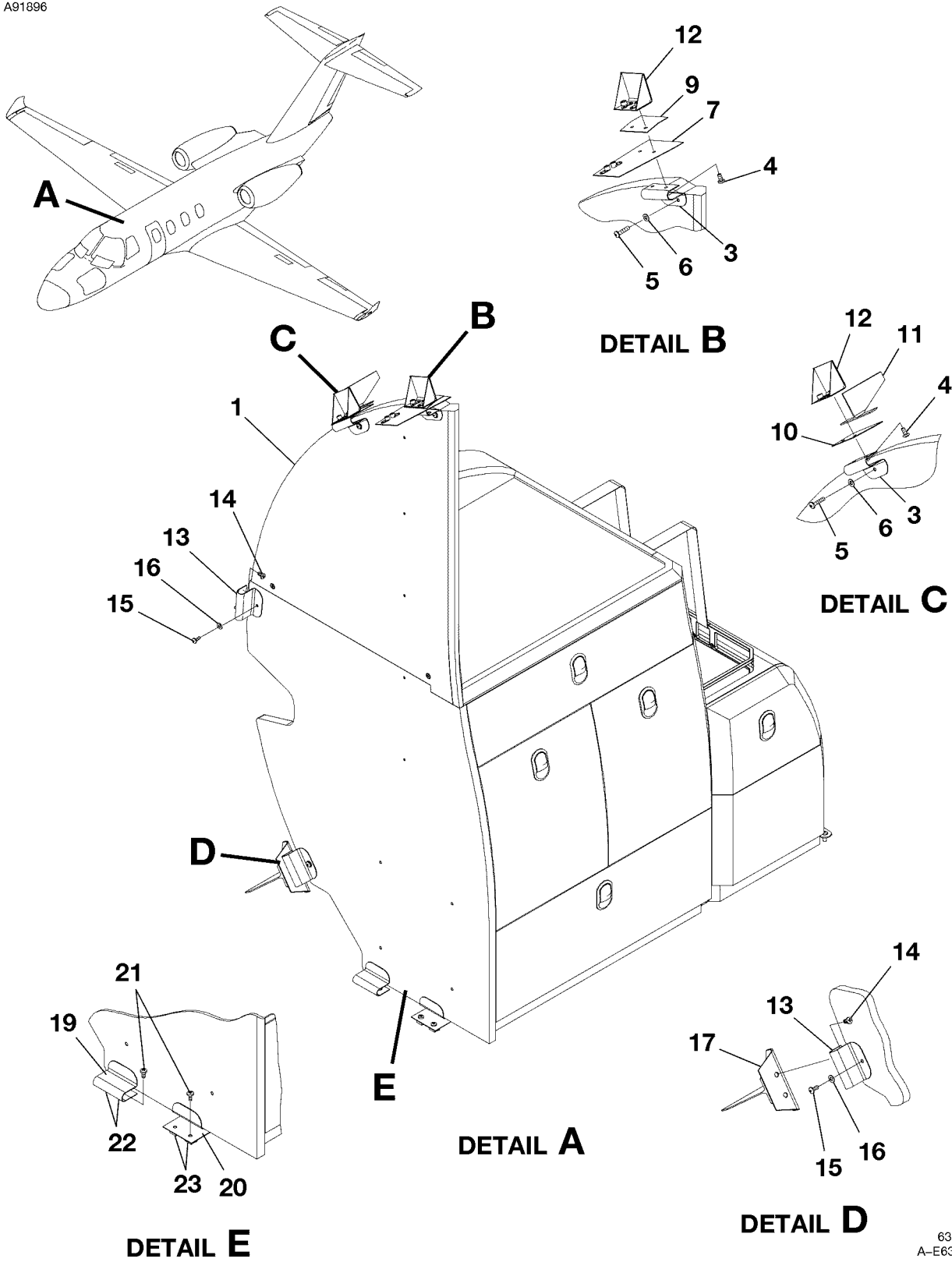
CESSNA®  
**MODEL 525 (SERIALS -0685 AND -0800 AND ON)**  
 ILLUSTRATED PARTS CATALOG

FIG ITEM	PART NUMBER	NOMENCLATURE	UNITS
			PER ASSY
02			
-		STORAGE CABINET - LH FORWARD	RF
- 1	4799505-1	. CABINET ASSY-PAINT . . . . .	01
- 2	4799505-4	. CABINET ASSY-VENEER . . . . .	01
		ATTACHING PARTS	
3	MS27039-1-07	. SCREW . . . . .	02
4	AN3-3A	. BOLT . . . . .	05
5	NAS1149F0363P	. WASHER . . . . .	05
		—*—	
6	101001-522	. SWITCH PANEL . . . . . VMCCI	01
7	MKK240R	. DOUBLE BALL CATCH . . . . . V62139	01
8	4599706-7	. CLOSEOUT BRACKET ASSY . . . . .	01
- 9	MS21059L08	. . . NUTPLATE . . . . .	01
10	ILDH-4A-180	. HINGE . . . . . VMOIN	03
11	190-1049-1	. HINGE BLOCK . . . . . V0YCE4	06
12	4799505-3	. ICE CHEST-WITH OVERBOARD DRAIN . . . . .	01
13	2F-B2LJ-BP	. BALL VALVE . . . . . V30780	01
14	KF06-02PS	. HOSE BARB . . . . . V43223	02
15	AS21919WDG12	. CLAMP . . . . .	01
16	SAM196-4	. LATCH . . . . . V31845	03
17	6319520-14	. STRIKER ASSY . . . . .	03
- 18	6319520-26	. . . STRIKER PLATE . . . . .	02
- 19	6319520-25	. . . WIRE STRIKER . . . . .	01
20	6319520-28	. PLATE-LATCH COVER . . . . .	03
21	4799505-2	. TRASH CONTAINER . . . . .	01
22	A5210-13P	. SLIDE ASSY . . . . . V52607	04
23	190-1008-1	. DRAWER STOP . . . . . VGLEN	02
24	4799500-2	. HOLDER ASSY . . . . .	01
25	99K32.03	. CIRCULAR MAGNET . . . . . VLVTL	04
26	6319021-9	. BLANKET . . . . .	01
27	4711914-3	. BRACKET . . . . .	01
28	4711914-4	. ANGLE . . . . .	01
		ATTACHING PARTS	
29	MS27039-1-09	. SCREW . . . . .	03
30	S1477-3	. NUT . . . . .	03
		—*—	
31	4711088-4	. SHIM . . . . .	01

- ITEM NOT ILLUSTRATED

CESSNA®  
**MODEL 525 (SERIALS -0685 AND -0800 AND ON)**  
 ILLUSTRATED PARTS CATALOG

A91896



STORAGE CABINET - RH FORWARD  
 FIGURE 03 (SHEET 1)

6310T1168  
 A-E6319T1631



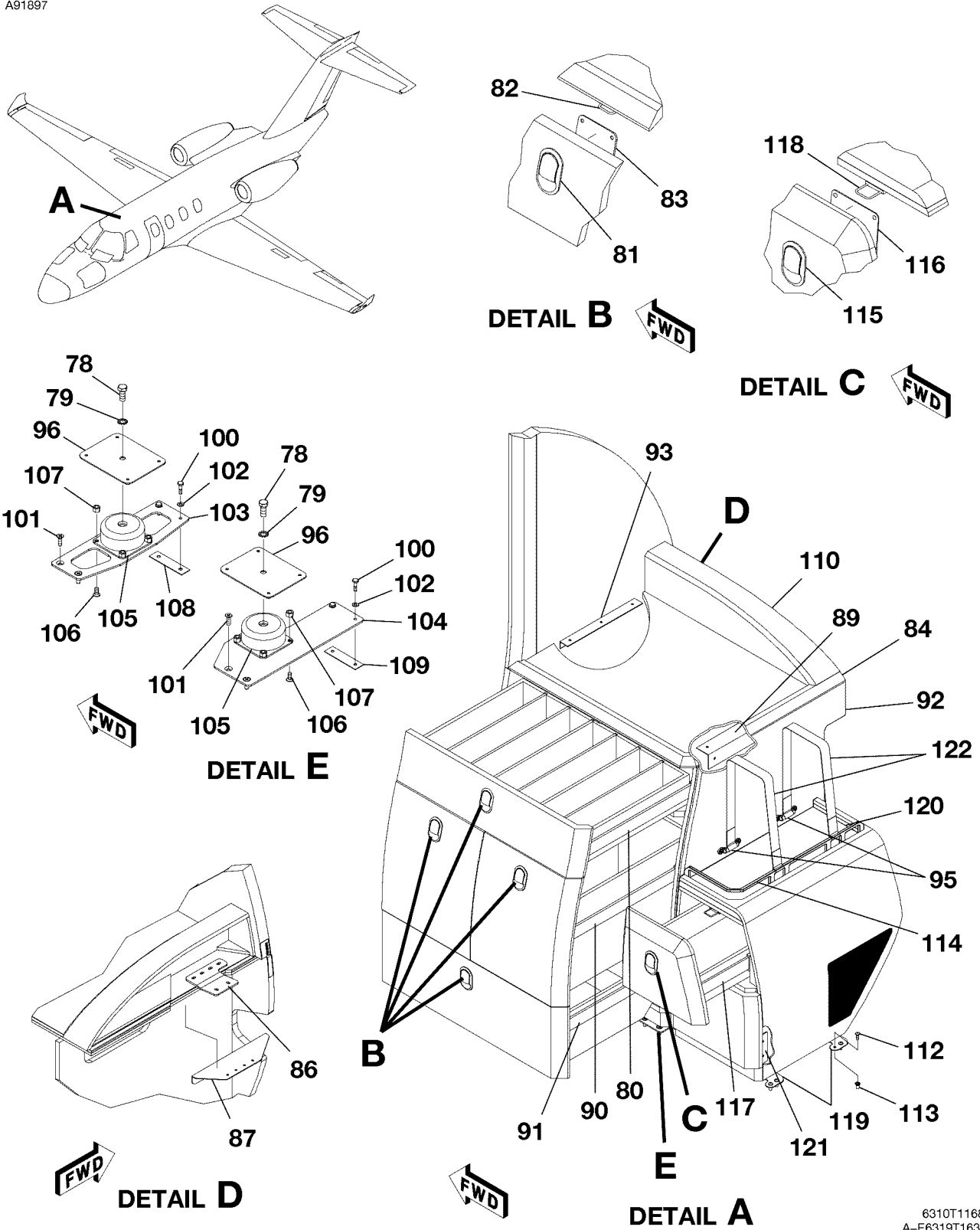
CESSNA®  
**MODEL 525 (SERIALS -0685 AND -0800 AND ON)**  
 ILLUSTRATED PARTS CATALOG

FIG ITEM	PART NUMBER	NOMENCLATURE	UNITS
			PER ASSY
03		STORAGE CABINET - RH FORWARD	RF
-			
1	4799516-3	. DIVIDER ASSY-RH UPPER VENEER AND CARBON FIBER . . . . .	01
- 2	4799516-15	. DIVIDER ASSY-RH UPPER PAINT . . . . .	01
3	4711912-2	. BRACKET . . . . .	02
		ATTACHING PARTS	
4	MS27039C1-09	. SCREW . . . . .	02
5	MS27039-1-14	. SCREW . . . . .	01
6	NAS1149F0332P	. WASHER . . . . .	01
		—*—	
7	4711097-34	. PLATE ASSY-UPPER . . . . .	01
- 8	MS21071L08	. . NUTPLATE . . . . .	02
9	4711097-19	. PLATE-UPPER . . . . .	01
10	4711097-17	. PLATE-MIDDLE UPPER . . . . .	01
11	4711097-18	. TEE-MIDDLE UPPER . . . . .	01
12	4711097-13	. GUSSET ASSY . . . . .	02
13	4711912-2	. BRACKET . . . . .	02
		ATTACHING PARTS	
14	MS27039C1-09	. SCREW . . . . .	02
15	MS27039-1-07	. SCREW . . . . .	01
16	NAS1149F0332P	. WASHER . . . . .	01
		—*—	
17	4711097-8	. BRACKET ASSY . . . . .	01
- 18	MS21055L3	. . NUTPLATE . . . . .	02
19	4711912-3	. BRACKET-OUTBOARD . . . . .	01
20	4711912-4	. BRACKET-INBOARD . . . . .	01
		ATTACHING PARTS	
21	MS27039C1-09	. SCREW . . . . .	02
22	MS21074L3	. NUTPLATE-OUTBOARD . . . . .	02 R
23	MS21059L3	. NUTPLATE-INBOARD . . . . .	02
		—*—	

- ITEM NOT ILLUSTRATED

CESSNA®  
**MODEL 525 (SERIALS -0685 AND -0800 AND ON)**  
 ILLUSTRATED PARTS CATALOG

A91897



STORAGE CABINET - RH FORWARD  
 FIGURE 03 (SHEET 2)

6310T1168  
 A-E6319T1633

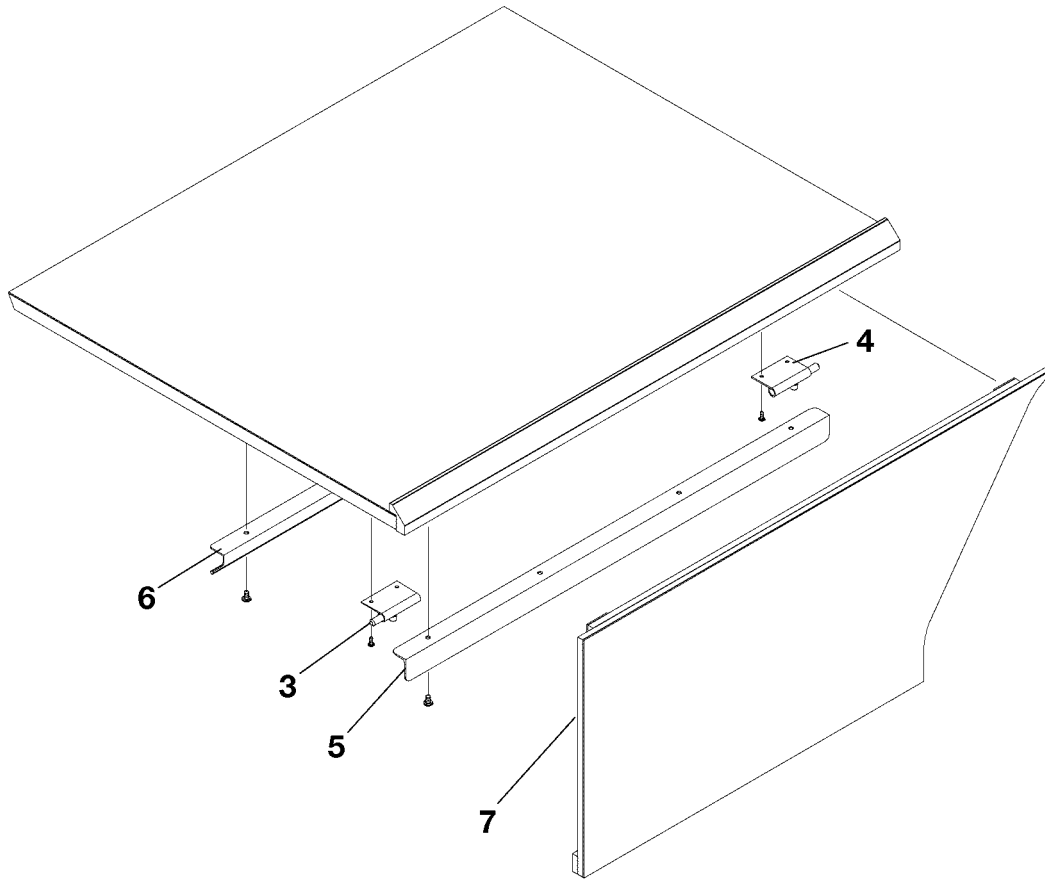
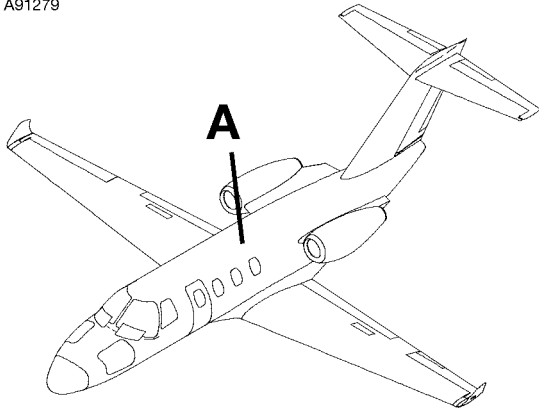
CESSNA®  
**MODEL 525 (SERIALS -0685 AND -0800 AND ON)**  
 ILLUSTRATED PARTS CATALOG

FIG ITEM	PART NUMBER	NOMENCLATURE	UNITS
			PER ASSY
		1 2 3 4 5 6 7	
03			
- 75	4799516-2	. LOWBOY CABINET ASSY-RH VENEER . . . . .	01
- 76	4799516-14	. LOWBOY CABINET ASSY-RH PAINT . . . . .	01
- 77	4799516-18	. LOWBOY CABINET ASSY-RH CARBON FIBER . . . . .	01
		ATTACHING PARTS	
78	MS35307-359	. SCREW . . . . .	02
79	MS35335-35	. WASHER . . . . .	02
		—*—	
80	A5210-14P	. . . . . SLIDE ASSY . . . . . V52607	02
81	SAM196-4	. . . . . LATCH . . . . . V31845	04
82	6319520-14	. . . . . STRIKER ASSY . . . . .	04
83	6319520-28	. . . . . COVER PLATE . . . . .	04
84	4799516-7	. . . . . BULLNOSE-INBOARD VENEER . . . . .	01
- 85	4799516-16	. . . . . BULLNOSE-INBOARD PAINT AND CARBON FIBER . . . . .	01
86	4711967-7	. . . . . ATTACH BRACKET . . . . .	01
87	4711967-8	. . . . . SUPPORT ANGLE ASSY . . . . .	01
- 88	MS21059L3	. . . . . NUTPLATE . . . . .	04
89	4719509-9	. . . . . SUPPORT ANGLE . . . . .	01
90	A5210-16P	. . . . . SLIDE ASSY . . . . . V52607	02
91	A5210-13P	. . . . . SLIDE ASSY . . . . . V52607	04
92	4799516-10	. . . . . UPHOLSTERY PAD ASSY . . . . .	01
93	6379035-4	. . . . . SUPPORT ANGLE-VENEER AND PAINT . . . . .	01
- 94	6379035-4	. . . . . SUPPORT ANGLE-CARBON FIBER . . . . .	02
95	6411BNI	. . . . . FOOTMANS LOOP . . . . . V1E045	02
96	4789004-7	. . . . . FLOOR PLATE ASSY . . . . .	02
- 97	MS21074-3	. . . . . NUTPLATE . . . . .	04
- 98	4711967-2	. . . . . ISOLATOR ASSY-FWD . . . . .	01
- 99	4711967-3	. . . . . ISOLATOR ASSY-AFT . . . . .	01
		ATTACHING PARTS	
100	AN3-6A	. . . . . BOLT . . . . .	02
101	MS24694-C99	. . . . . SCREW . . . . .	02
102	NAS1149F0332P	. . . . . WASHER . . . . .	02
		—*—	
103	4711967-4	. . . . . ISOLATOR PLATE-FWD . . . . .	01
104	4711967-5	. . . . . ISOLATOR PLATE-AFT . . . . .	01
105	CM2-80AST	. . . . . SHOCK MOUNT . . . . . V07941	01
		ATTACHING PARTS	
106	MS24694-S95	. . . . . SCREW . . . . .	04
107	MS21044D4	. . . . . NUT . . . . .	04
		—*—	
108	4711967-6	. . . . . SPACER-FWD . . . . .	01
109	4711097-4	. . . . . SHIM-AFT . . . . .	01
110	4799516-5	. . . . . CLOSEOUT-OUTBOARD . . . . .	01
- 111	4799516-6	. . . . . EVAPORATOR COVER ASSY . . . . .	01
		ATTACHING PARTS	
112	MS27039C1-09	. . . . . SCREW . . . . .	04
113	NAS1329A3K80	. . . . . NUT . . . . .	03
		—*—	
114	4799516-12	. . . . . COVER RAIL . . . . .	01
115	SAM196-4	. . . . . LATCH . . . . . V31845	01
116	190-1002-1	. . . . . LATCH PLATE . . . . . VGLEN	01
117	A5210-16P	. . . . . SLIDE ASSY . . . . . V52607	02
118	6319520-14	. . . . . STRIKER ASSY . . . . .	01
119	4799400-5	. . . . . BRACKET . . . . .	02
120	4799516-8	. . . . . UPHOLSTERY PAD ASSY . . . . .	01
121	6379020-8	. . . . . LOUVER BRACKET . . . . .	03
122	4799516-4	. . . . . STRAP ASSY . . . . .	02

- ITEM NOT ILLUSTRATED

CESSNA®  
**MODEL 525 (SERIALS -0685 AND -0800 AND ON)**  
ILLUSTRATED PARTS CATALOG

A91279



**DETAIL A**

AVIONICS STORAGE CABINET - RH AFT  
FIGURE 01 (SHEET 1)

6310T1168  
A6319T1622

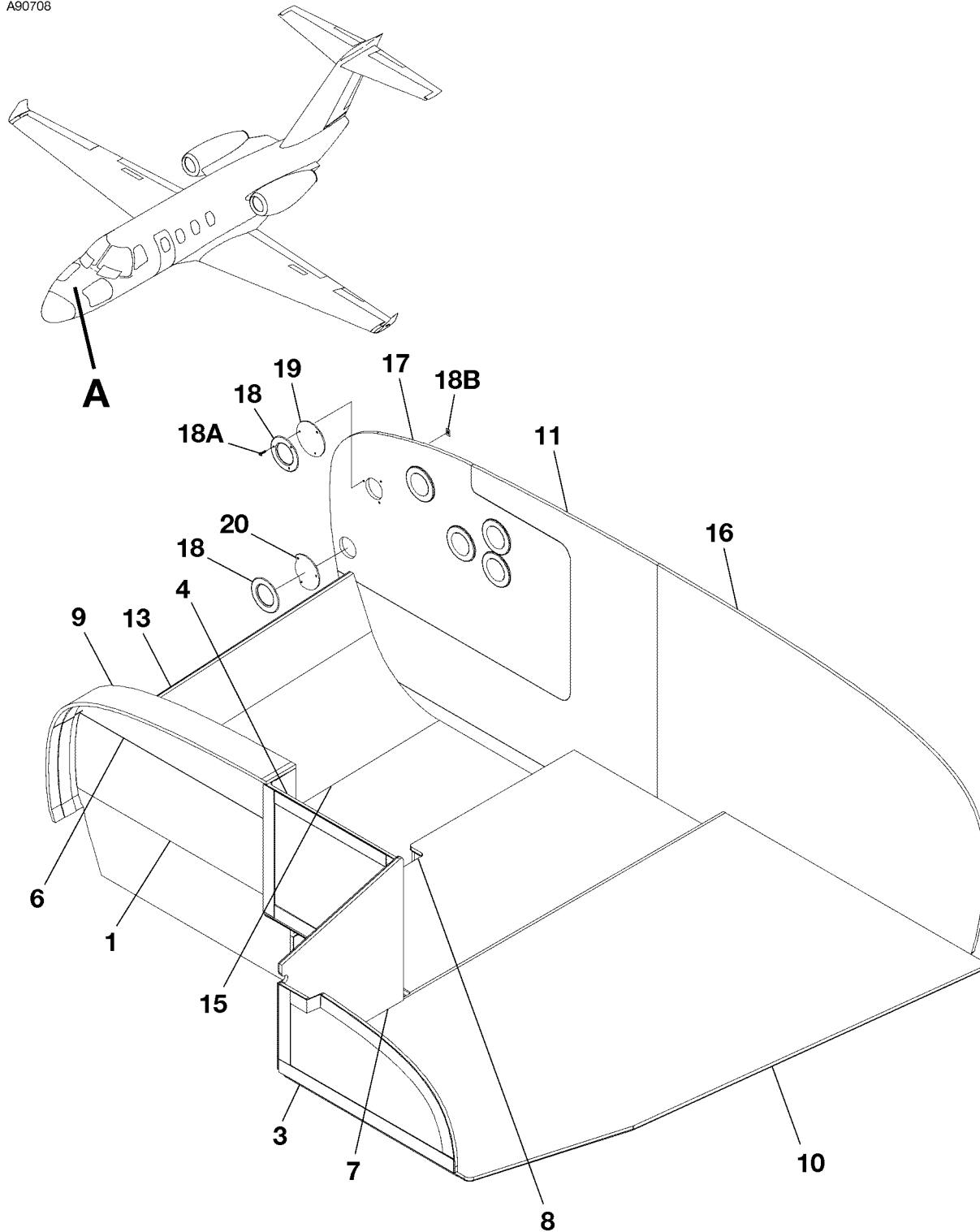
CESSNA®  
**MODEL 525 (SERIALS -0685 AND -0800 AND ON)**  
 ILLUSTRATED PARTS CATALOG

FIG ITEM	PART NUMBER	NOMENCLATURE	UNITS
			PER ASSY
01			
-		AVIONICS STORAGE CABINET - RH AFT	RF
- 1	4799514-1	. AVIONICS CABINET ASSY-RH AFT . . . . .	01
- 2	4799514-2	. . CABINET ASSY-TOP . . . . .	01
3	A2116-1	. . . LATCH ASSY . . . . . V52607	01
4	A2116-2	. . . LATCH ASSY . . . . . V52607	01
5	4799514-4	. . . BRACKET-INBD . . . . .	01
6	4799514-5	. . . BRACKET-OUTBD . . . . .	01
7	4799514-3	. . CABINET ASSY-INBD . . . . .	01

- ITEM NOT ILLUSTRATED

CESSNA®  
MODEL 525 (SERIALS -0685 AND -0800 AND ON)  
ILLUSTRATED PARTS CATALOG

A90708



**DETAIL A**

CARPET - NOSE BAGGAGE COMPARTMENT  
FIGURE 01 (SHEET 1)

6310T1168  
A6319T1601

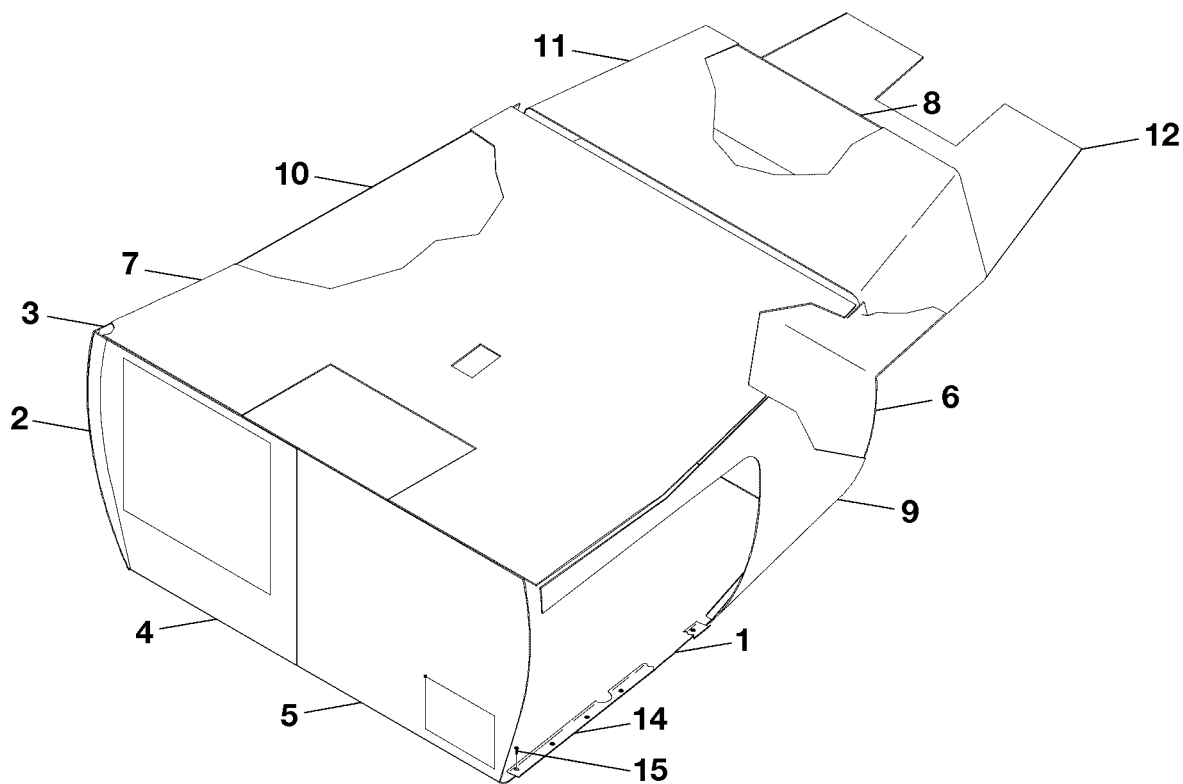
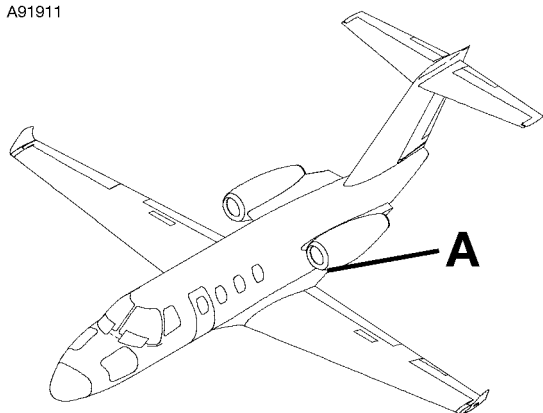
CESSNA®  
**MODEL 525 (SERIALS -0685 AND -0800 AND ON)**  
 ILLUSTRATED PARTS CATALOG

FIG ITEM	PART NUMBER	NOMENCLATURE	UNITS
			PER ASSY
		1 2 3 4 5 6 7	
01			
-		CARPET - NOSE BAGGAGE COMPARTMENT	RF
1	4711882-20	. CARPET ASSY-FWD PANEL . . . . .	01
- 2	4711882-17	. CARPET ASSY-FWD PANEL OPTION . . . . .	01
3	4711882-1	. CARPET ASSY-LH FWD . . . . .	01
4	4711882-3	. CARPET ASSY-CTR FWD . . . . .	01
- 5	4711882-15	. CARPET ASSY-CTR FWD OPTION . . . . .	01
6	4711882-2	. CARPET ASSY-RH FWD . . . . .	01
7	4711882-9	. CARPET ASSY-FWD SIDEWALL . . . . .	01
8	4711882-13	. CARPET ASSY-AFT SIDEWALL . . . . .	01
9	4711882-12	. CARPET CLOSEOUT ASSY . . . . .	01
10	4711882-8	. CARPET ASSY-LH FLOOR . . . . .	01
11	4711882-18	. CARPET ASSY-RH AFT . . . . .	01
- 12	4711882-16	. CARPET ASSY-RH AFT OPTION . . . . .	01
13	4711882-19	. CARPET ASSY-RH FLOOR . . . . .	01
- 14	4711882-14	. CARPET ASSY-RH FLOOR OPTION . . . . .	01
15	4711882-10	. CARPET ASSY-RH AFT LWR ACCESS PANEL . . . . .	01
16	4711882-7	. CARPET ASSY-LH AFT . . . . .	01
17	4711882-5	. CARPET ASSY-RH ACCESS PANEL . . . . .	01
18	4717201-18	. TRIM RING . . . . .	06
		ATTACHING PARTS	
18A	S1021Z4-8	. SCREW . . . . .	03
18B	S3230-1	. NUT . . . . .	03
		—*—	
19	6313080-36	. INSPECTION LENS . . . . .	05
20	6313182-54	. SIGHTGLASS . . . . .	01

- ITEM NOT ILLUSTRATED

CESSNA®  
MODEL 525 (SERIALS -0685 AND -0800 AND ON)  
ILLUSTRATED PARTS CATALOG

A91911



**DETAIL A**

CARPET - TAILCONE BAGGAGE COMPARTMENT  
FIGURE 01 (SHEET 1)

6310T1168  
A6312T1015



CESSNA®  
**MODEL 525 (SERIALS -0685 AND -0800 AND ON)**  
 ILLUSTRATED PARTS CATALOG

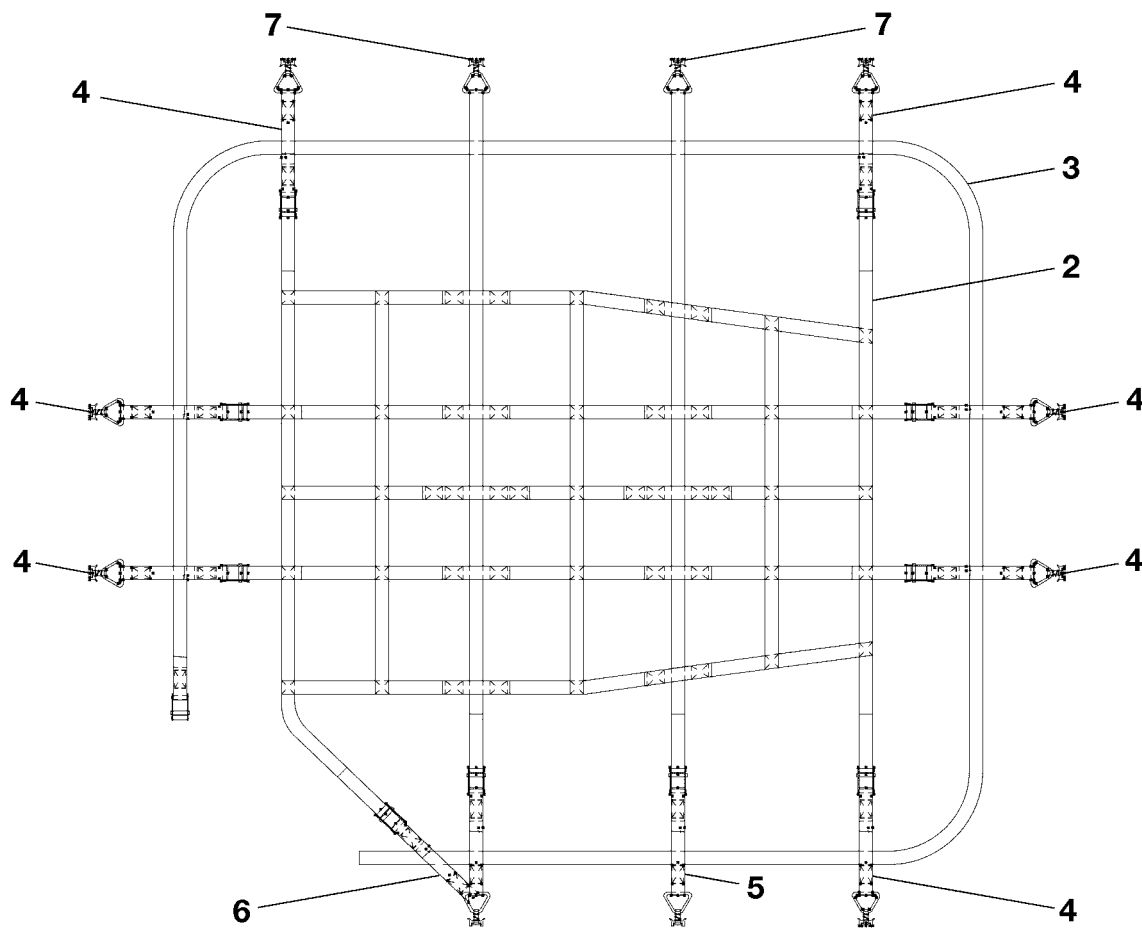
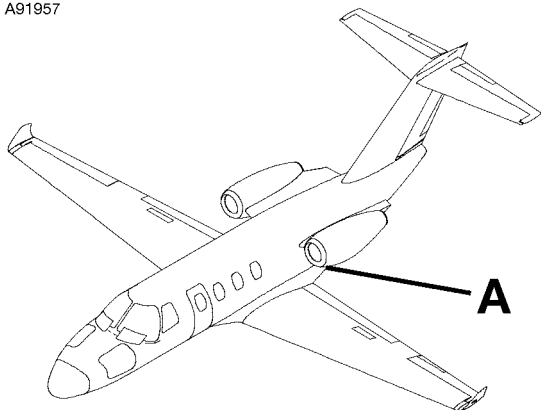
FIG ITEM	PART NUMBER	NOMENCLATURE	UNITS
			PER ASSY
01			
-		CARPET - TAILCONE BAGGAGE COMPARTMENT	RF
1	4711145-10	. CARPET ASSY-FLOOR . . . . .	01
2	4711145-11	. CARPET ASSY-RH FWD REFER TO NOTE 1 . . . . .	01
3	4711145-12	. CARPET ASSY-RH SIDE REFER TO NOTE 1 . . . . .	01
4	4711145-30	. CARPET ASSY-RH FWD REFER TO NOTE 1 . . . . .	01
5	4711145-31	. CARPET ASSY-LH FWD REFER TO NOTE 1 . . . . .	01
6	4711145-4	. CARPET ASSY-AFT REFER TO NOTE 1 . . . . .	01
7	4711145-5	. CARPET ASSY-CEILING REFER TO NOTE 1 . . . . .	01
8	4711145-6	. CARPET ASSY-AFT EXTENSION REFER TO NOTE 1 . . . . .	01
9	4711145-7	. CARPET ASSY-LH SIDE REFER TO NOTE 1 . . . . .	01
10	4711145-8	. CARPET ASSY-RH SIDE REFER TO NOTE 1 . . . . .	01
11	4711145-9	. CARPET ASSY-CEILING EXTENSION REFER TO NOTE 1 . . . . .	01
12	4711145-24	. CARPET ASSY-SKI OPTION . . . . .	01
- 13	F990023	. FABRIC FASTENER-HOOK BKI . . . . .	AR
14	4790005-3	. SILL PLATE . . . . .	01
15	MS24694-S7	. SCREW . . . . .	06

NOTE 1—WHEN ORDERING THIS PART, PROVIDE AIRPLANE MODEL AND SERIAL NUMBER.

- ITEM NOT ILLUSTRATED

CESSNA®  
MODEL 525 (SERIALS -0685 AND -0800 AND ON)  
ILLUSTRATED PARTS CATALOG

A91957



**DETAIL A**

CARGO NET - TAILCONE  
FIGURE 01 (SHEET 1)

6310T1168  
A6319T1635

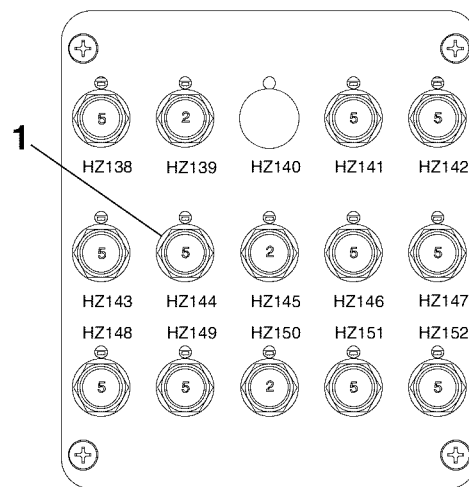
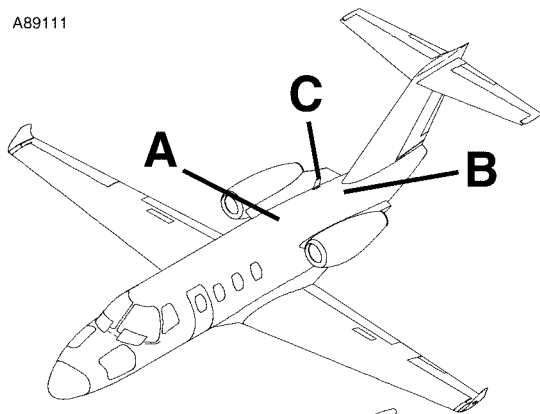
CESSNA®  
**MODEL 525 (SERIALS -0685 AND -0800 AND ON)**  
 ILLUSTRATED PARTS CATALOG

FIG ITEM	PART NUMBER	NOMENCLATURE	UNITS
			PER ASSY
01			
-		CARGO NET - TAILCONE	RF
- 1	4711067-1	. CARGO NET ASSY . . . . .	01
2	4711067-2	. . NET ASSY . . . . .	01
3	4711067-6	. . BELT ASSY . . . . .	01
4	4711067-13	. . STRAP ASSY . . . . .	07
5	4711067-8	. . STRAP ASSY . . . . .	01
6	4711067-10	. . STRAP ASSY . . . . .	01
7	11251-15	. . FITTING-TIE-DOWN FSO 1251-10 . . . . . V95957	NP
- 8	11251-10	. . FITTING-TIE-DOWN FOR SPARES ONLY . . . . . V95957	02

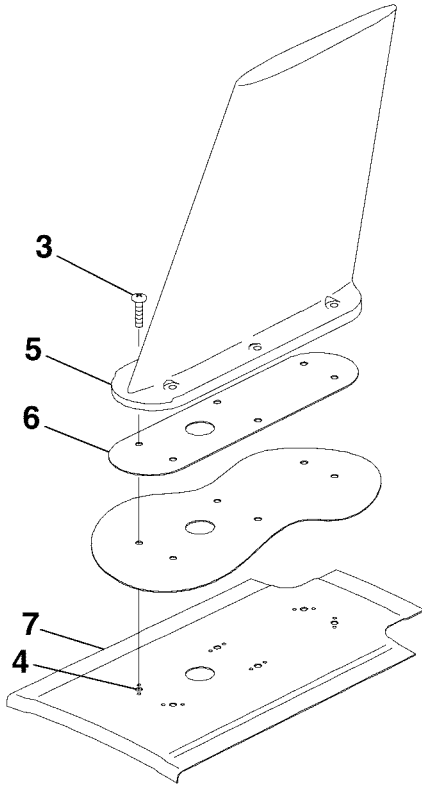
- ITEM NOT ILLUSTRATED

CESSNA®  
**MODEL 525 (SERIALS -0685 AND -0800 AND ON)**  
 ILLUSTRATED PARTS CATALOG

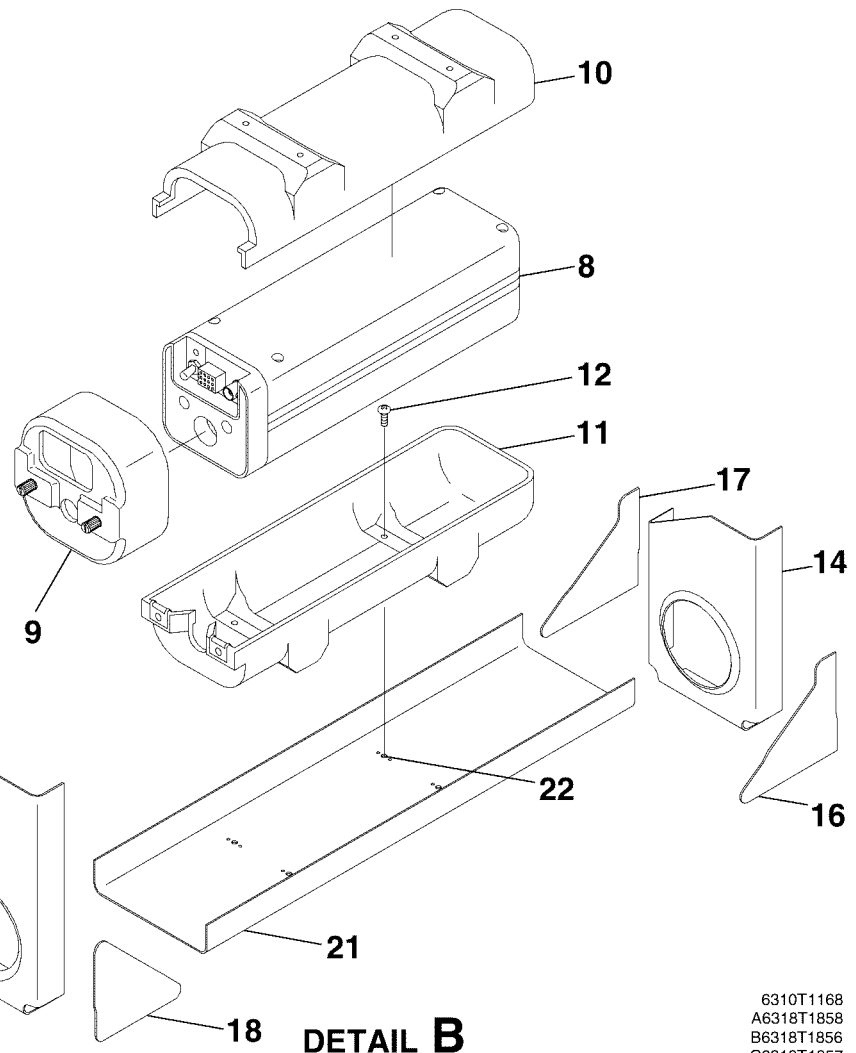
A89111



**DETAIL A**



**DETAIL C**



**DETAIL B**

**EMERGENCY LOCATOR BEACON  
 FIGURE 01 (SHEET 1)**

6310T1168  
 A6318T1858  
 B6318T1856  
 C6318T1857

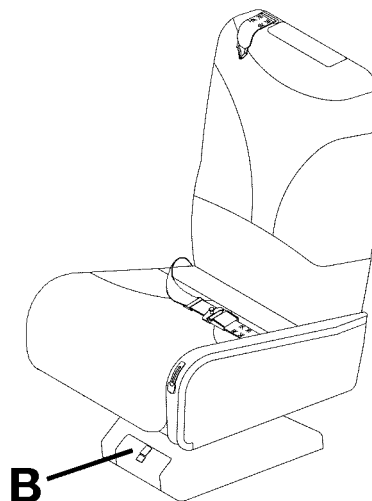
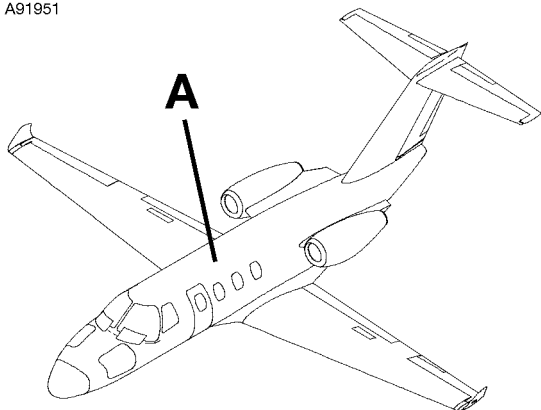
CESSNA®  
**MODEL 525 (SERIALS -0685 AND -0800 AND ON)**  
 ILLUSTRATED PARTS CATALOG

FIG ITEM	PART NUMBER	NOMENCLATURE	UNITS
			PER ASSY
01		EMERGENCY LOCATOR BEACON	RF
-		. CIRCUIT BREAKER-ELT HZ144 REFER TO 24-50-02 FIGURE 04 . . . . . V71286	RF
- 2	9154082-45	. ANTENNA-ELT . . . . .	01
		. ATTACHING PARTS	
3	MS27039C1-12	. SCREW . . . . .	06
4	MS21076L3N	. NUTPLATE . . . . .	06
		—*—	
5	110-340	. . ANTENNA-ELT YT503 . . . . . V60253	01
6	TXT898-010	. GASKET-ANTENNA . . . . . V1NPE1	01 R
7	9101018-2	. DOUBLER . . . . .	01 R
8	453-5060	. C406-N MAIN ASSY . . . . . V60253	01 R
9	452-5066	. CAP ASSY . . . . . V60253	01 R
10	452-3052	. FRAME ASSY . . . . . V60253	01 R
11	452-5050	. MOUNTING TRAY ASSY . . . . . V60253	01 R
		. ATTACHING PARTS	
12	MS35206-246	. SCREW . . . . .	04 R
		—*—	
- 13	9102701-2	. SHELF ASSY . . . . .	01 R
14	9102001-12	. . BRACKET . . . . .	01 R
15	9102001-13	. . BRACKET . . . . .	01 R
16	9102001-10	. . GUSSET-LH . . . . .	01 R
17	9102001-11	. . GUSSET-RH . . . . .	01 R
18	9102001-8	. . GUSSET-LH . . . . .	01 R
19	9102001-9	. . GUSSET-RH . . . . .	01 R
20	9602020-10	. . BRACKET . . . . .	01 R
21	9102001-33	. . SHELF ASSY . . . . .	01 R
22	MS21059L08	. . . NUTPLATE . . . . .	04 R
23	130-4004	. BUZZER . . . . . V60253	01 R

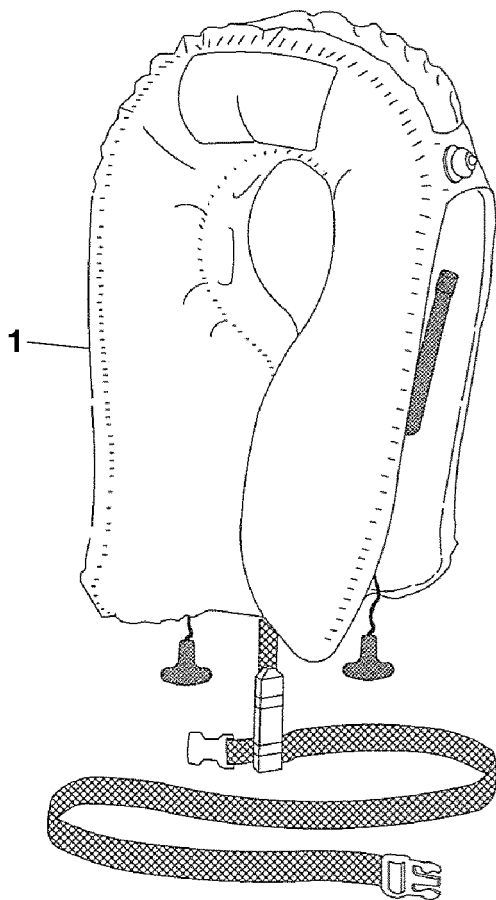
- ITEM NOT ILLUSTRATED

CESSNA®  
MODEL 525 (SERIALS -0685 AND -0800 AND ON)  
ILLUSTRATED PARTS CATALOG

A91951



**DETAIL A**



**DETAIL B**

EMERGENCY EQUIPMENT  
FIGURE 01 (SHEET 1)

6310T1168  
A6311T1164  
B6314R1875

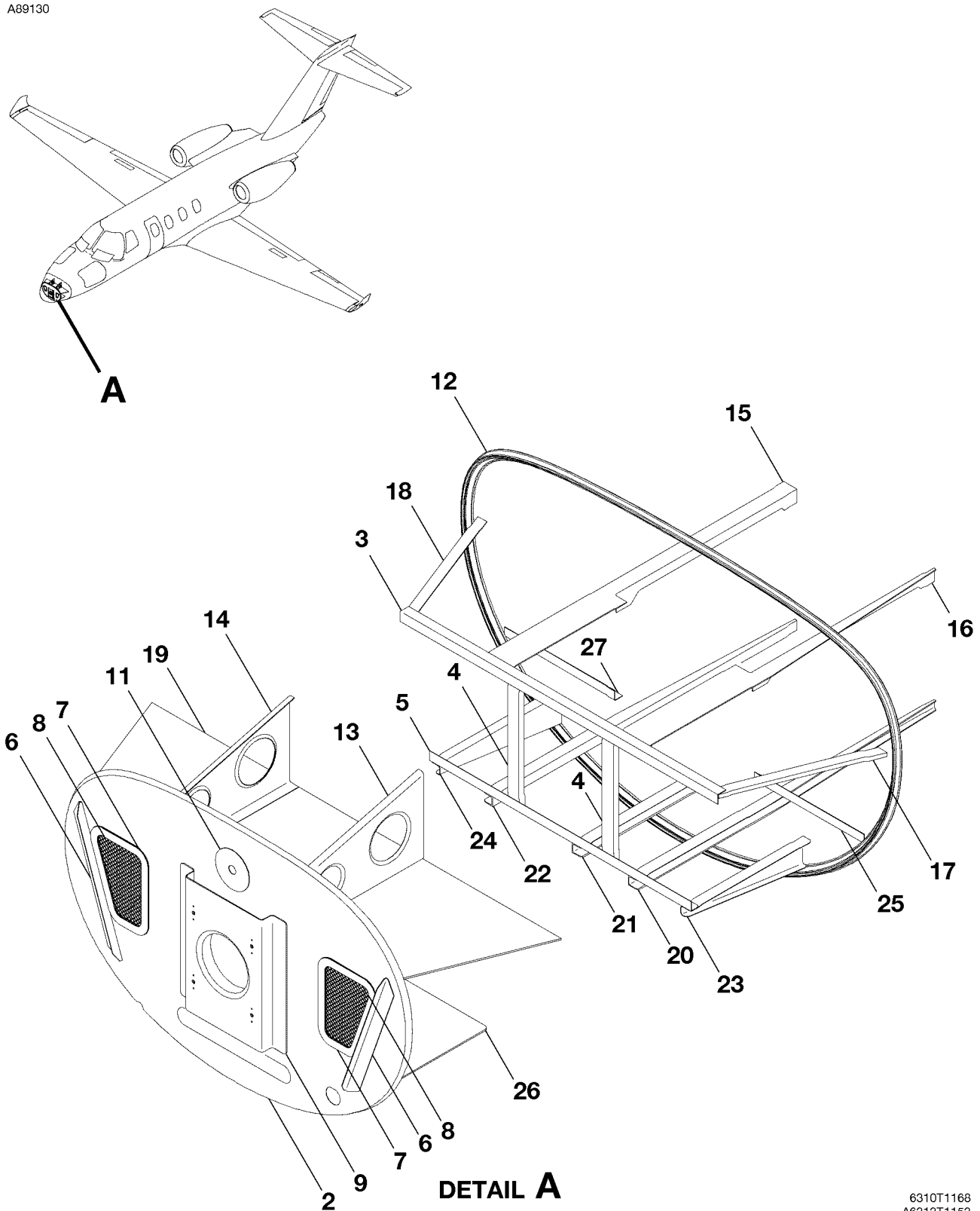
CESSNA®  
**MODEL 525 (SERIALS -0685 AND -0800 AND ON)**  
 ILLUSTRATED PARTS CATALOG

FIG ITEM	PART NUMBER	NOMENCLATURE	UNITS PER ASSY
	1 2 3 4 5 6 7		
01		EMERGENCY EQUIPMENT	RF
-			
1	P01074-207	. LIFEVEST REFER TO NOTE 1 . . . . . V57399	08 R
NOTE 1—USED ON LUXEMBOURG, DANISH, ISLE OF MAN, BRITISH, PORTUGUESE, GERMAN, CANADIAN, AUSTRALIAN, ITALIAN, SERBIA, FRENCH, POLISH, REPUBLIC OF KOREAN, PHILIPPINE, ROMANIAN, SWISS, AND CZECH CERTIFIED AIRPLANES.			R

- ITEM NOT ILLUSTRATED

CESSNA®  
MODEL 525 (SERIALS -0685 AND -0800 AND ON)  
ILLUSTRATED PARTS CATALOG

A89130



AVIONIC EQUIPMENT SUPPORTS - NOSE  
FIGURE 01 (SHEET 1)

6310T1168  
A6313T1153



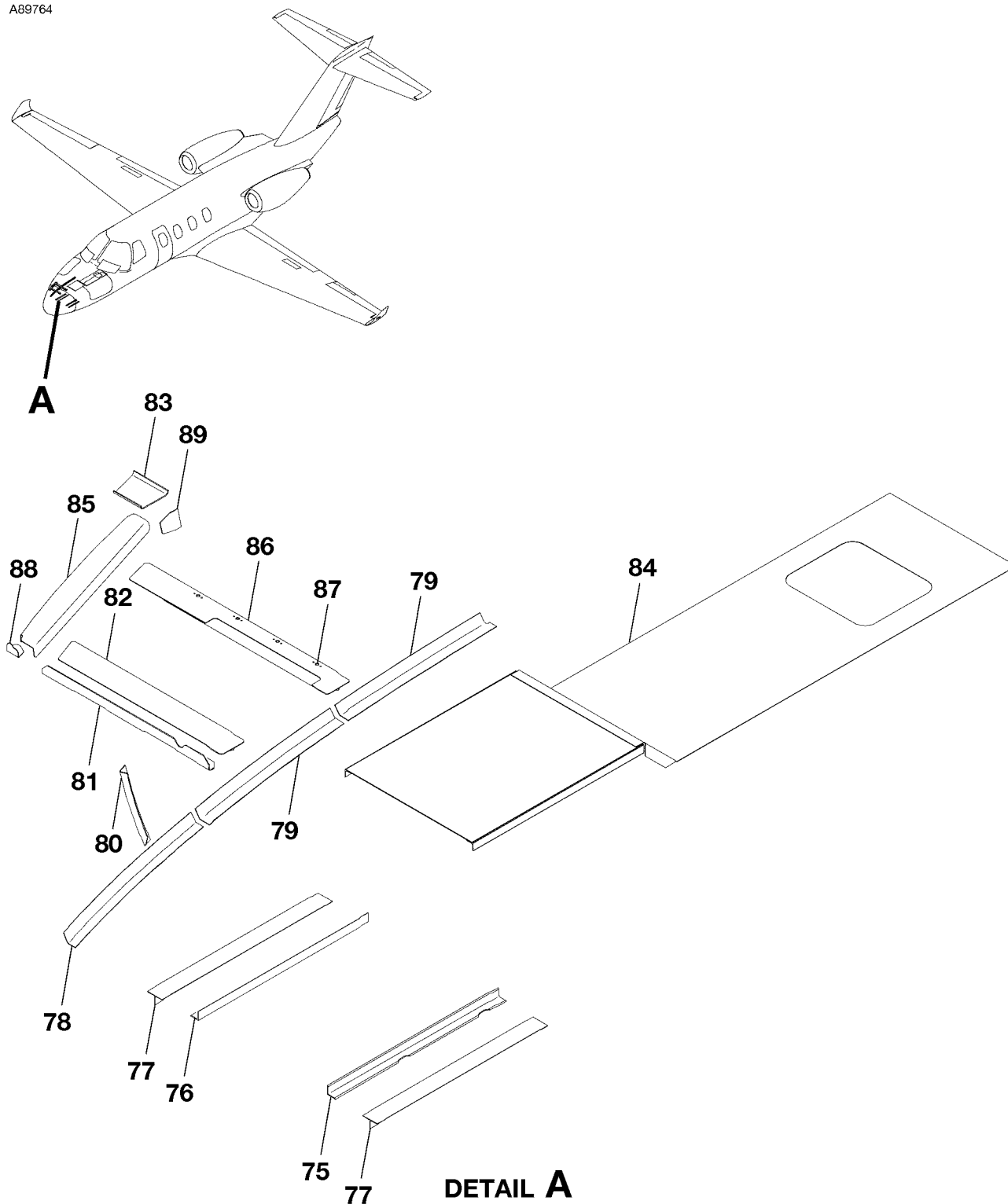
CESSNA®  
**MODEL 525 (SERIALS -0685 AND -0800 AND ON)**  
 ILLUSTRATED PARTS CATALOG

FIG ITEM	PART NUMBER	NOMENCLATURE	UNITS PER ASSY	
			1 2 3 4 5 6 7	
01		AVIONIC EQUIPMENT SUPPORTS - NOSE		RF
-				
- 1	7313065-1	. RADAR WEB ASSY . . . . .	0800	0873 01 R
- 1A	7313065-2	. RADAR WEB ASSY . . . . .	0874	& ON 01 R
2	9156002-2	. . RADAR WEB . . . . .		01
3	9656053-16	. . SHELF SUPPORT-FWD UPPER . . . . .		01
4	9156600-42	. . CHANNEL . . . . .		02
5	9156600-3	. . ANGLE-LOWER . . . . .		01
6	9656053-4	. . WEB SUPPORT-FWD . . . . .		02
7	9156002-11	. . RETAINER . . . . .		02
8	9156002-12	. . SCREEN . . . . .		02
9	7313063-10	. . HAT SECTION ASSY . . . . .		01
- 10	MS21069L4	. . . NUTPLATE . . . . .		04
11	9154715-3	. DOUBLER . . . . .		01
12	9156600-31	. SEAL . . . . .		01
13	9156010-1	. SHELF BRACKET-LH UPPER . . . . .		01
14	9156010-2	. SHELF BRACKET-RH UPPER . . . . .		01
15	9156010-5	. TEE-LH UPPER . . . . .		01
16	7313063-1	. TEE-RH UPPER . . . . .		01
17	9156010-7	. SHELF SUPPORT-LH UPPER . . . . .		01
18	9156010-8	. SHELF SUPPORT-RH UPPER . . . . .		01
19	9156010-3	. SHELF-UPPER . . . . .		01
20	9156010-11	. CHANNEL-LH . . . . .		01
21	9156010-15	. CHANNEL-CENTER . . . . .		01
22	9156010-12	. CHANNEL-RH . . . . .		01
23	9156010-9	. SUPPORT-LH LOWER SHELF . . . . .		01
24	9156010-10	. SUPPORT-RH LOWER SHELF . . . . .		01
25	6313600-2	. SUPPORT ANGLE . . . . .		01
26	9156010-4	. SHELF-LOWER . . . . .		01
27	6313187-12	. ANGLE . . . . .		01

- ITEM NOT ILLUSTRATED

CESSNA®  
MODEL 525 (SERIALS -0685 AND -0800 AND ON)  
ILLUSTRATED PARTS CATALOG

A89764



AVIONIC EQUIPMENT SUPPORTS - NOSE  
FIGURE 01 (SHEET 2)

6310T1168  
A6313T1154

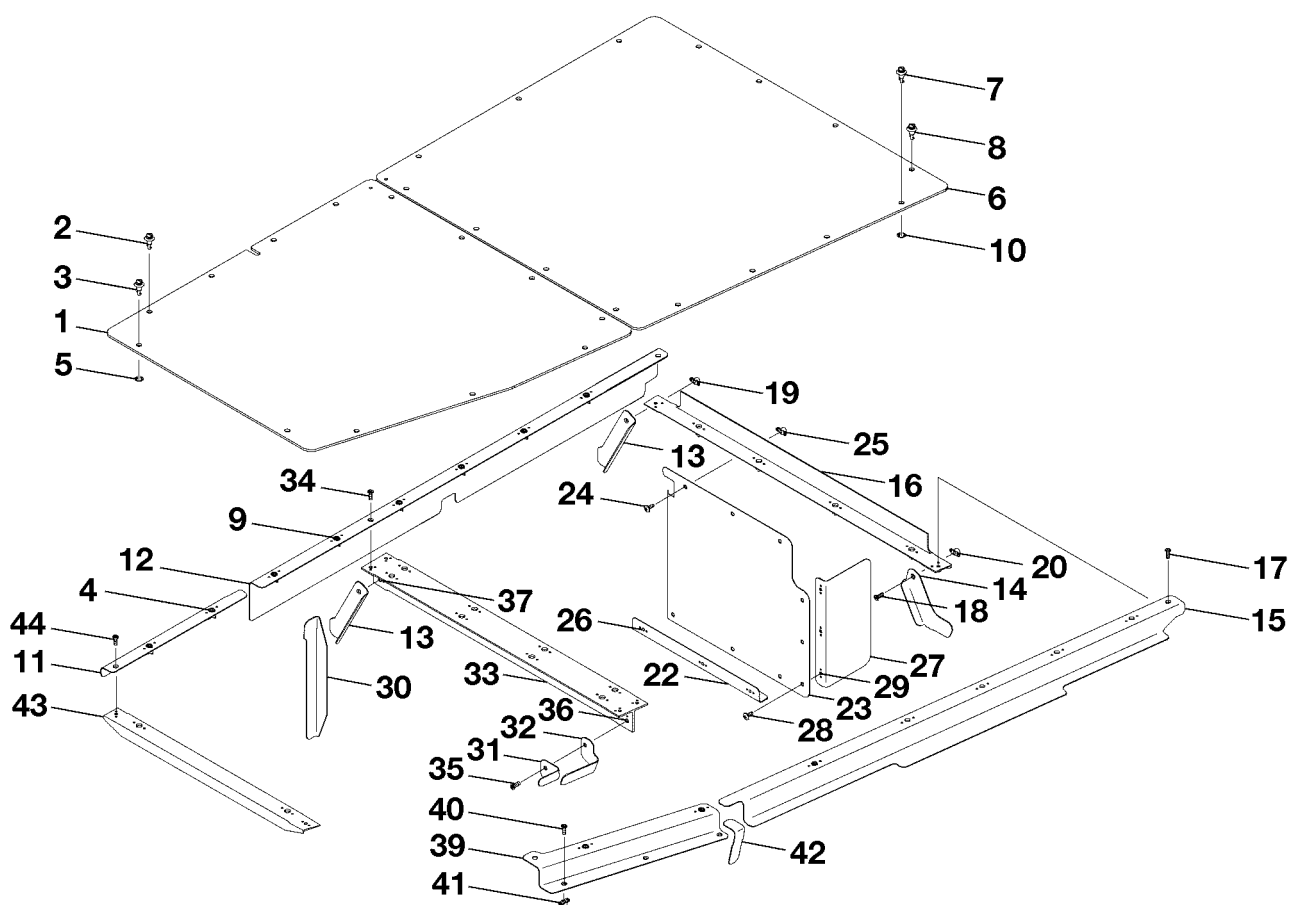
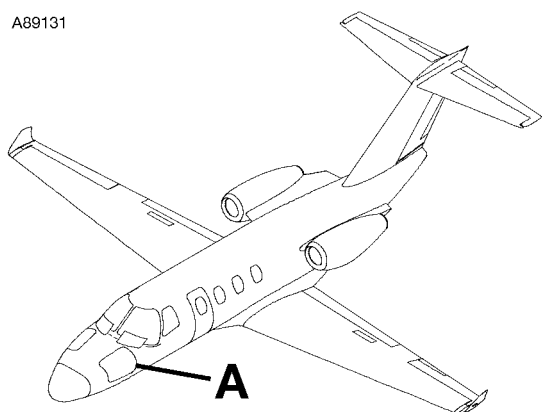
CESSNA®  
**MODEL 525 (SERIALS -0685 AND -0800 AND ON)**  
 ILLUSTRATED PARTS CATALOG

FIG ITEM	PART NUMBER	NOMENCLATURE	UNITS
			PER ASSY
		1 2 3 4 5 6 7	
01			
75	6313187-13	. ANGLE-LH FWD INBOARD . . . . .	01
76	6313187-14	. ANGLE-RH FWD INBOARD . . . . .	01
77	9117003-4	. SUPPORT TEE . . . . .	02
78	6313187-11	. ANGLE-RH FWD OUTBOARD . . . . .	01
79		. ANGLE REFER TO 53-11-00 FIGURE 01 . . . . .	RF
80	9154029-10	. ANGLE . . . . .	01
81	6313187-21	. ANGLE-UPPER FWD . . . . .	01
82	6313187-19	. TEE-UPPER FWD . . . . .	01
83	7313063-20	. CLIP-UPPER . . . . .	01
84		. NOSE WHEELWELL REFER TO 53-10-00 FIGURE 01 . . . . .	RF
85	6313187-22	. INTERCOSTAL-UPPER FWD . . . . .	01
86	6313187-18	. TEE-UPPER AFT . . . . .	01
87	MS21059L3	. NUTPLATE . . . . .	04
88	6313187-20	. STIFFENER . . . . .	01
89	6313081-28	. GUSSET-RH . . . . .	01

- ITEM NOT ILLUSTRATED

CESSNA®  
MODEL 525 (SERIALS -0685 AND -0800 AND ON)  
ILLUSTRATED PARTS CATALOG

A89131



**DETAIL A**

BAGGAGE SHELF - NOSE  
FIGURE 02 (SHEET 1)

6310T1168  
A6313T1151

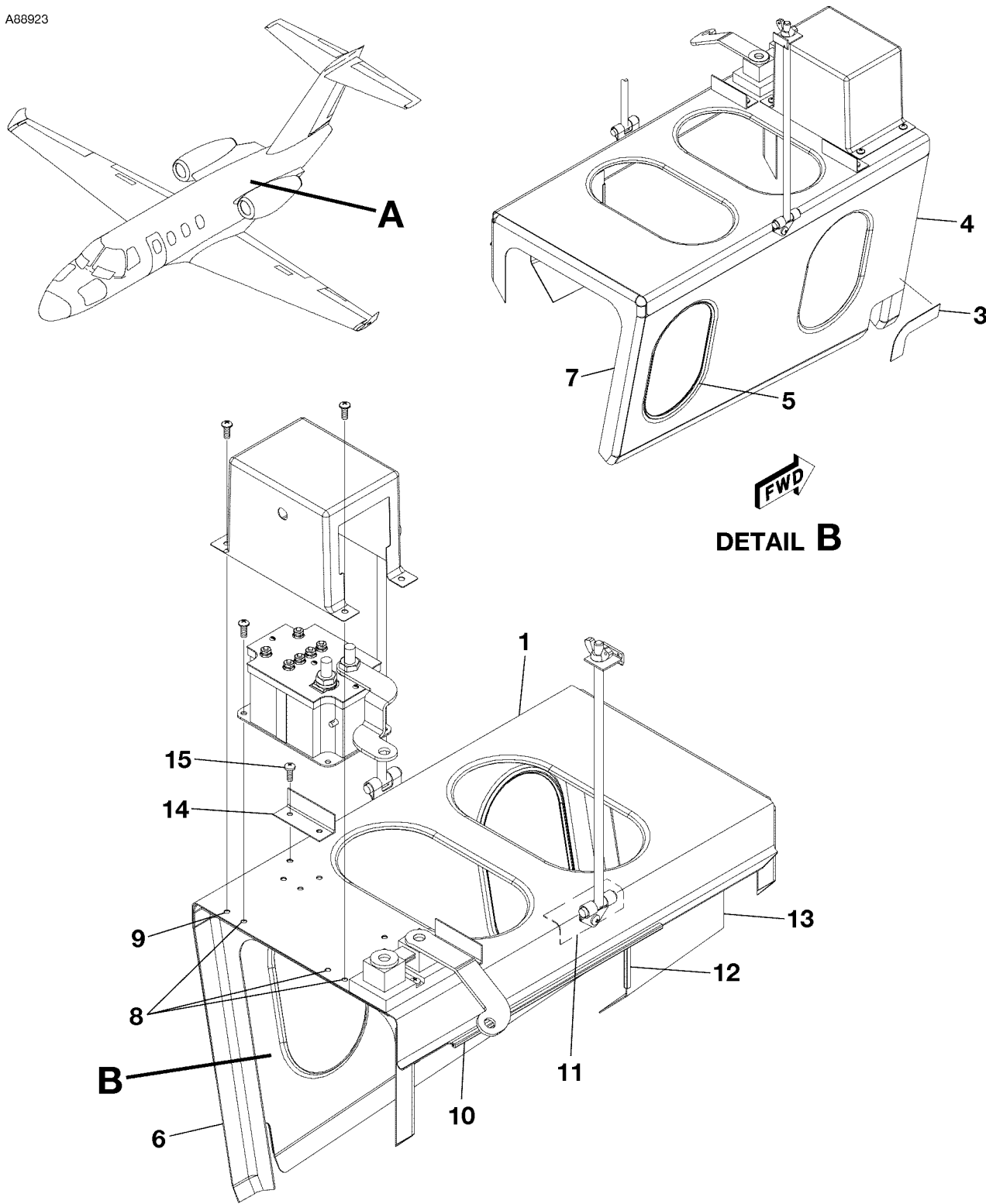
CESSNA®  
**MODEL 525 (SERIALS -0685 AND -0800 AND ON)**  
 ILLUSTRATED PARTS CATALOG

FIG ITEM	PART NUMBER	NOMENCLATURE	UNITS
			PER ASSY
02			
-		BAGGAGE SHELF - NOSE	RF
1	6313316-7	. BAGGAGE SHELF-LH FWD . . . . .	01
		. ATTACHING PARTS	
2	S3275-5S	. STUD . . . . .	07
3	S3275-6S	. STUD . . . . .	06
4	S3275E202	. RECEPTACLE . . . . .	13
5	S3275-300	. RETAINER RING . . . . .	13
		—*—	
6	6313316-20	. BAGGAGE SHELF-LH AFT . . . . .	01
		. ATTACHING PARTS	
7	S3275-5S	. STUD . . . . .	07
8	S3275-6S	. STUD . . . . .	08
9	S3275E202	. RECEPTACLE . . . . .	15
10	S3275-300	. RETAINER RING . . . . .	15
		—*—	
11	6313316-12	. ANGLE-FWD SHELF SUPPORT . . . . .	01
12		. ANGLE-REFER TO 53-11-00 FIGURE 01 . . . . .	RF
13	6313316-5	. BRACKET-INBD SHELF SUPPORT . . . . .	02
14	6313316-6	. BRACKET-OUTBD SHELF SUPPORT . . . . .	01
15	6313316-14	. ZEE-AFT SHELF SUPPORT . . . . .	01
16	9656056-5	. SHELF SUPPORT ASSY-AFT . . . . .	01
		. ATTACHING PARTS	
17	MS24694-S5	. SCREW . . . . .	02
18	MS27039-0807	. SCREW . . . . .	02
19	MS21059L08	. NUTPLATE . . . . .	01
20	NAS1473A08	. NUTPLATE . . . . .	01
		—*—	
- 21	MS21056L08	. . NUTPLATE . . . . .	02
22	6313282-65	. ANGLE . . . . .	01
23	6313282-63	. COVER . . . . .	01
		. ATTACHING PARTS	
24	AN525-832R7	. SCREW . . . . .	05
25	MS21069L08	. NUTPLATE . . . . .	02
26	MS21069L08K	. NUTPLATE . . . . .	03
		—*—	
27	6313282-64	. COVER . . . . .	01
		. ATTACHING PARTS	
28	AN525-832R7	. SCREW . . . . .	03
29	MS21069L08K	. NUTPLATE . . . . .	03
		—*—	
30	6313316-13	. ANGLE-INBD SHELF SUPPORT . . . . .	01
31	6313316-15	. CLIP-UPR . . . . .	01
32	6313316-16	. CLIP-LWR . . . . .	01
33	6313316-9	. SHELF SUPPORT TEE ASSY . . . . .	01
		. ATTACHING PARTS	
34	MS24694-S5	. SCREW . . . . .	04
35	MS27039-0807	. SCREW . . . . .	02
36	MS21056L08	. NUTPLATE . . . . .	01
37	MS21059L08	. NUTPLATE . . . . .	01
		—*—	
- 38	MS21074L08	. . NUTPLATE . . . . .	04
39	6313316-2	. ZEE-FWD SHELF SUPPORT . . . . .	01
		. ATTACHING PARTS	
40	MS35206-245	. SCREW . . . . .	03
41	MS21075L08N	. NUTPLATE . . . . .	03
		—*—	
42	6313316-1	. CLIP-SHELF SUPPORT . . . . .	01
43	9156000-22	. SHELF SUPPORT ASSY-FWD . . . . .	01
		. ATTACHING PARTS	
44	MS24694-S5	. SCREW . . . . .	02
		—*—	
- 45	MS21070L08	. . NUTPLATE . . . . .	02

- ITEM NOT ILLUSTRATED

CESSNA®  
MODEL 525 (SERIALS -0685 AND -0800 AND ON)  
ILLUSTRATED PARTS CATALOG

A88923



**DETAIL A**

BATTERY SUPPORT STRUCTURE  
FIGURE 01 (SHEET 1)

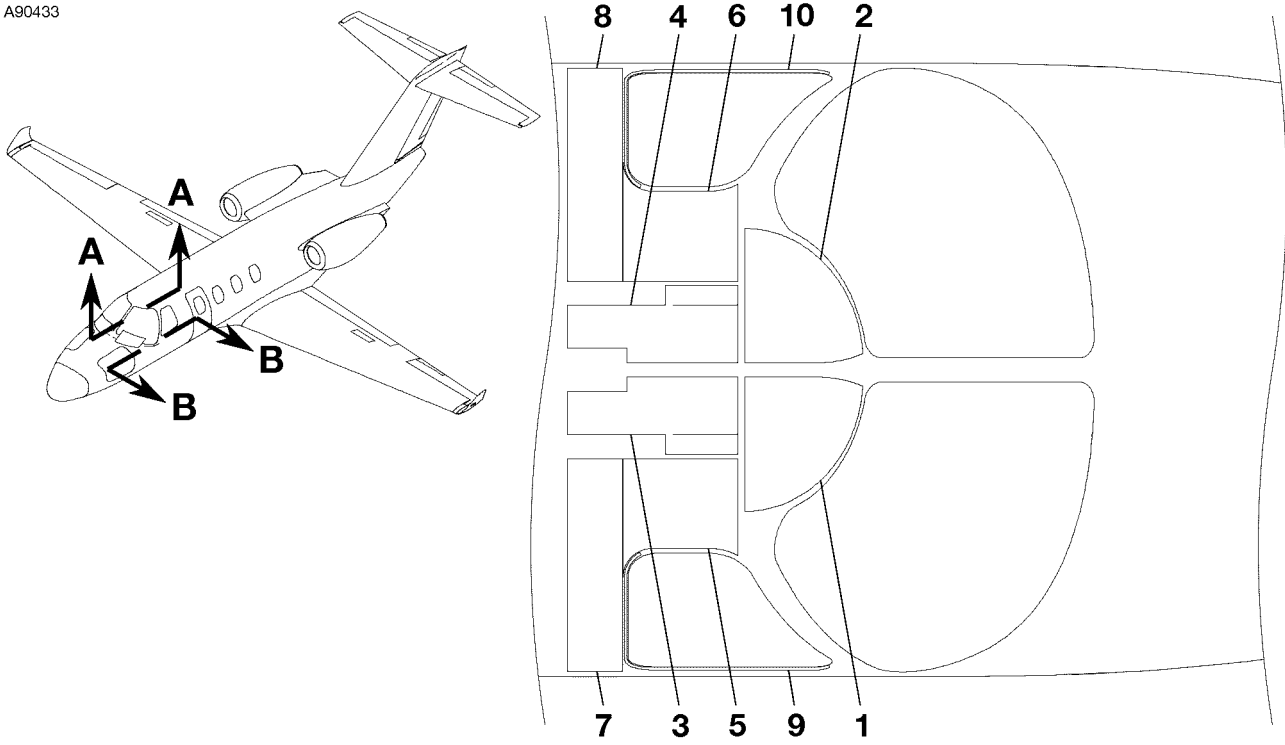
6310T1168  
A6318T1878  
B6318T1878

CESSNA®  
**MODEL 525 (SERIALS -0685 AND -0800 AND ON)**  
 ILLUSTRATED PARTS CATALOG

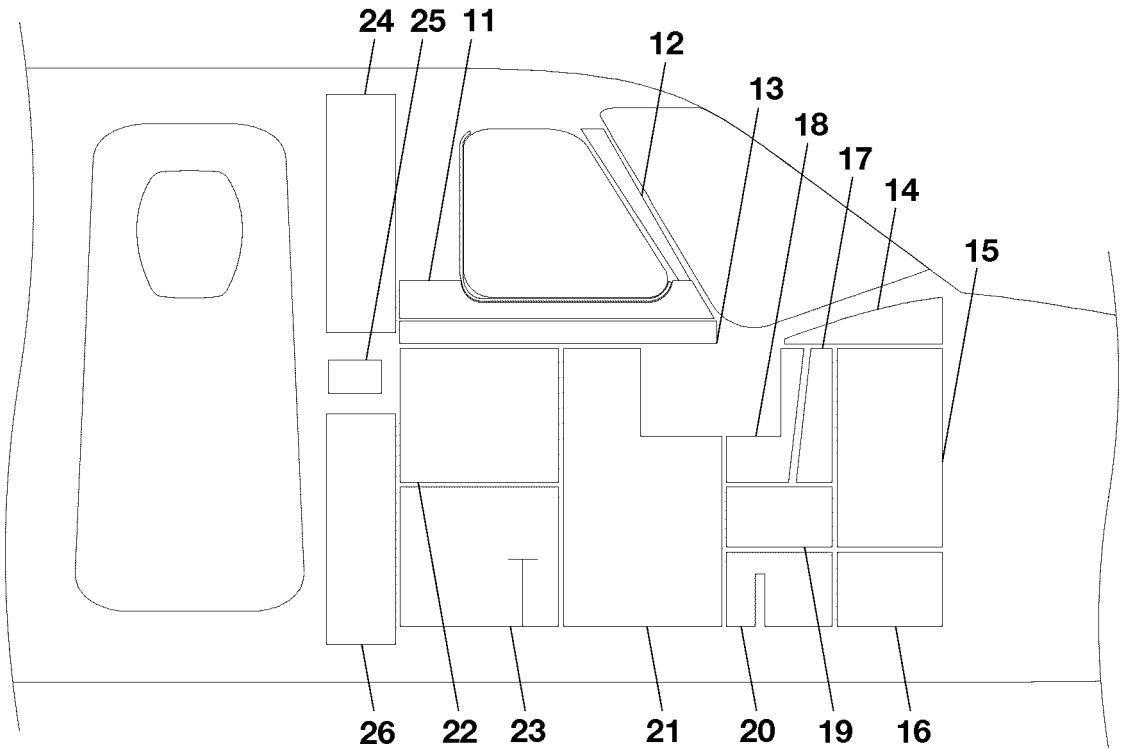
FIG ITEM	PART NUMBER	NOMENCLATURE	UNITS
			PER ASSY
		1 2 3 4 5 6 7	
01			
-		BATTERY SUPPORT STRUCTURE	RF
1	6318883-4	. SHELF ASSY . . . . .	01
- 2	MS21075L3N	. . NUTPLATE . . . . .	08
3	6318331-10	. DOUBLER-INBD . . . . .	01
4	6318883-9	. STIFFENER-INBD . . . . .	01
5	S1050-1-11.62	. GROMMET . . . . .	01
6	6318883-6	. SUPPORT-FWD . . . . .	01
7	6318331-6	. SUPPORT-AFT . . . . .	01
8	MS21075L3N	. NUTPLATE . . . . .	03
9	MS21086-3	. NUTPLATE . . . . .	01
10	S1050-1-9.85	. GROMMET . . . . .	01
11	6318331-7	. DOUBLER . . . . .	01
12	S1050-1-2.20	. GROMMET . . . . .	01
13	6318331-12	. CLIP . . . . .	01
14	6318331-8	. ANGLE-FWD . . . . .	02
		ATTACHING PARTS	
15	MS27039-1-08	. SCREW . . . . .	02
		—*—	

CESSNA®  
**MODEL 525 (SERIALS -0685 AND -0800 AND ON)**  
 ILLUSTRATED PARTS CATALOG

A90433



**VIEW A-A**



**VIEW B-B**

**INSULATION - BAGGED FLIGHT COMPARTMENT**  
**FIGURE 01 (SHEET 1)**

6310T1168  
 AA6319T1565  
 BB6319T1566



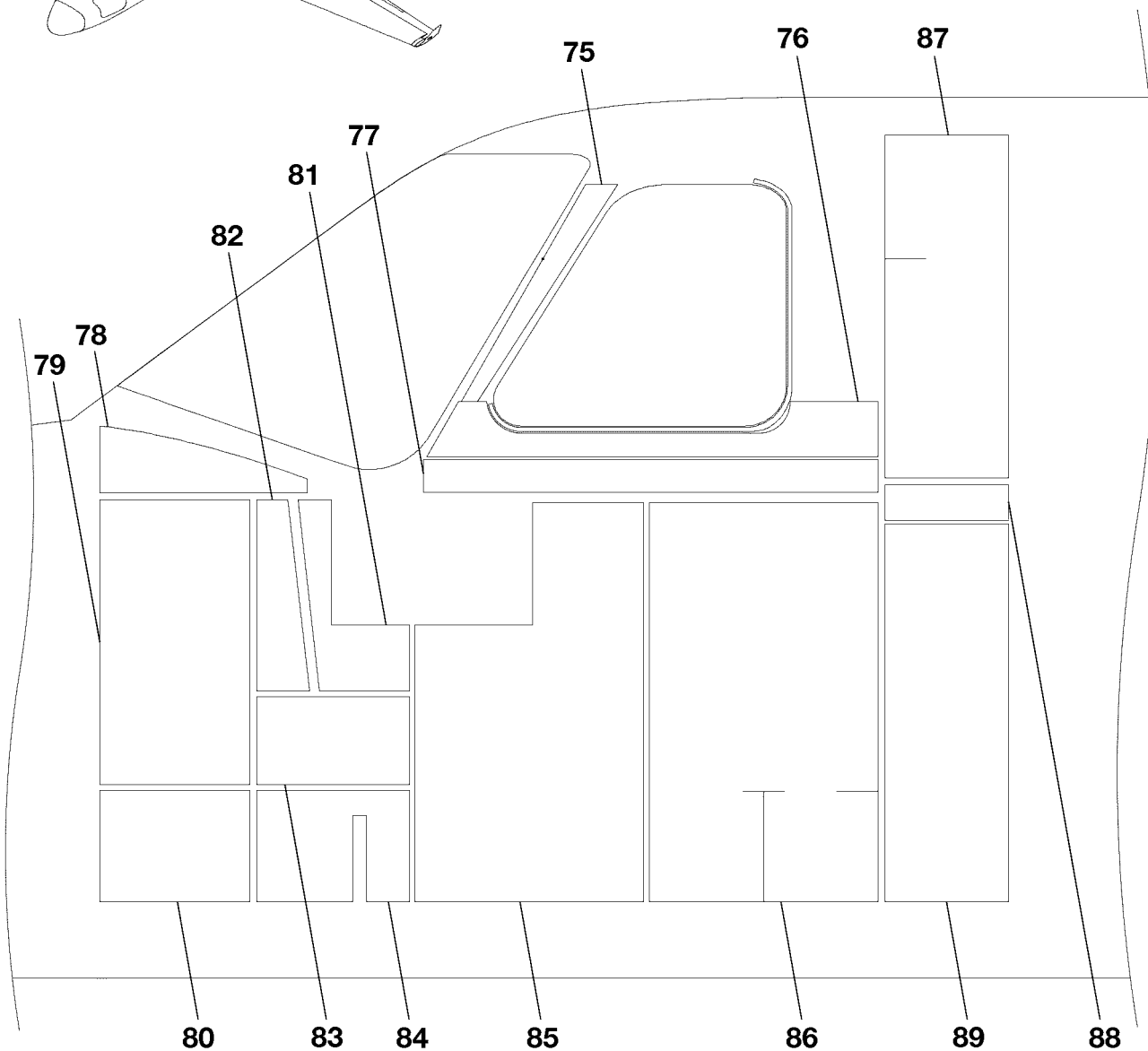
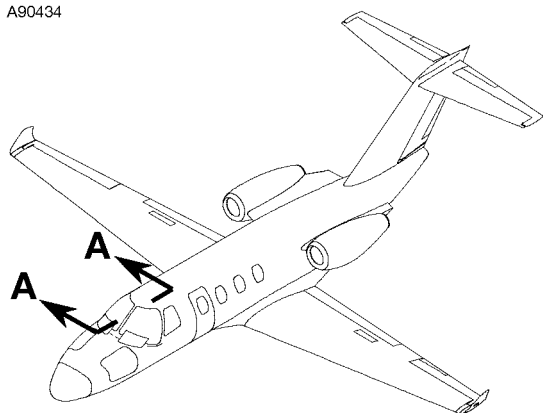
CESSNA®  
**MODEL 525 (SERIALS -0685 AND -0800 AND ON)**  
 ILLUSTRATED PARTS CATALOG

FIG ITEM	PART NUMBER	NOMENCLATURE	UNITS
			PER ASSY
01		INSULATION - BAGGED FLIGHT COMPARTMENT	RF
-			
1	9919087-23	. INSULATION-LH FWD UPR . . . . .	01
2	9919087-24	. INSULATION-RH FWD UPR . . . . .	01
3	9919087-33	. INSULATION-LH CTR UPR . . . . .	01
4	9919087-28	. INSULATION-RH CTR UPR . . . . .	01
5	9919087-31	. INSULATION-LH CTR . . . . .	01
6	9919087-30	. INSULATION-RH CTR . . . . .	01
7	9919087-35	. INSULATION-LH AFT UPR . . . . .	01
8	9919087-34	. INSULATION-RH AFT UPR . . . . .	01
9	9919087-29	. INSULATION-LH WINDOW . . . . .	01
10	9919087-26	. INSULATION-RH WINDOW . . . . .	01
11	9919078-107	. INSULATION-LH WINDSHIELD . . . . .	01
12	9919087-21	. INSULATION-LH WINDOW . . . . .	01
13	9919087-17	. INSULATION-LH LWR WINDOW . . . . .	01
14	9919087-5	. INSULATION-LH FWD . . . . .	01
15	9919087-3	. INSULATION-LH FWD . . . . .	01
16	9919087-1	. INSULATION-LH FWD . . . . .	01
17	9919087-11	. INSULATION-LH FWD MID . . . . .	01
18	9919087-13	. INSULATION-LH FWD MID . . . . .	01
19	9919087-9	. INSULATION-LH FWD MID . . . . .	01
20	9919087-7	. INSULATION-LH FWD MID . . . . .	01
21	9919087-15	. INSULATION-LH MID AFT . . . . .	01
22	9919087-27	. INSULATION-LH MID AFT . . . . .	01
23	9919087-25	. INSULATION-LH MID AFT . . . . .	01
24	9919087-41	. INSULATION-LH UPR AFT . . . . .	01
25	9919087-39	. INSULATION-LH AFT . . . . .	01
26	9919087-37	. INSULATION-LH LWR AFT . . . . .	01

- ITEM NOT ILLUSTRATED

CESSNA®  
MODEL 525 (SERIALS -0685 AND -0800 AND ON)  
ILLUSTRATED PARTS CATALOG

A90434



VIEW A-A

INSULATION - BAGGED FLIGHT COMPARTMENT  
FIGURE 01 (SHEET 2)

6310T1168  
AA6319T1567

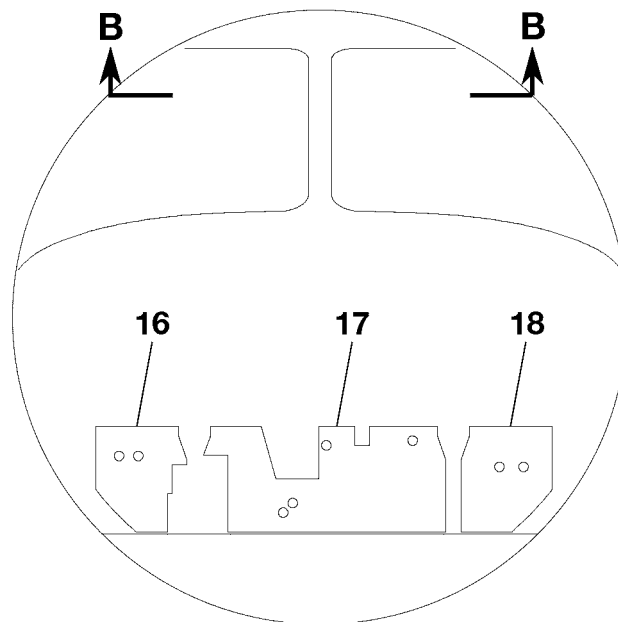
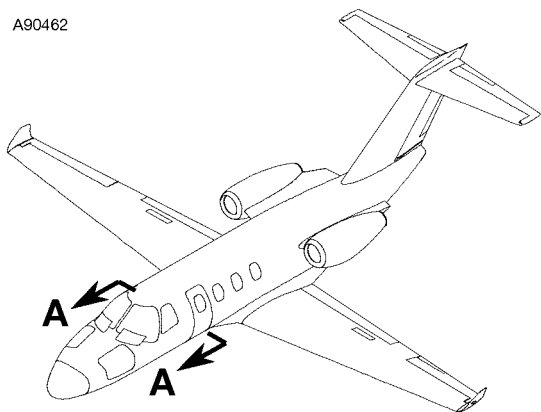
CESSNA®  
**MODEL 525 (SERIALS -0685 AND -0800 AND ON)**  
 ILLUSTRATED PARTS CATALOG

FIG ITEM	PART NUMBER	NOMENCLATURE	UNITS
			PER ASSY
01			
75	9919087-22	. INSULATION-RH WINDSHIELD . . . . .	01
76	9919078-106	. INSULATION-RH WINDOW . . . . .	01
77	9919087-18	. INSULATION-RH LWR WINDOW . . . . .	01
78	9919087-6	. INSULATION-RH FWD . . . . .	01
79	9919087-4	. INSULATION-RH FWD . . . . .	01
80	9919087-2	. INSULATION-RH FWD . . . . .	01
81	9919087-14	. INSULATION-RH FWD MID . . . . .	01
82	9919087-12	. INSULATION-RH FWD MID . . . . .	01
83	9919087-10	. INSULATION-RH FWD MID . . . . .	01
84	9919087-8	. INSULATION-RH FWD MID . . . . .	01
85	9919087-16	. INSULATION-RH MID AFT . . . . .	01
86	9919087-32	. INSULATION-RH MID AFT . . . . .	01
87	9919087-40	. INSULATION-RH UPR AFT . . . . .	01
88	9919087-38	. INSULATION-RH AFT . . . . .	01
89	9919087-36	. INSULATION-RH LWR AFT . . . . .	01

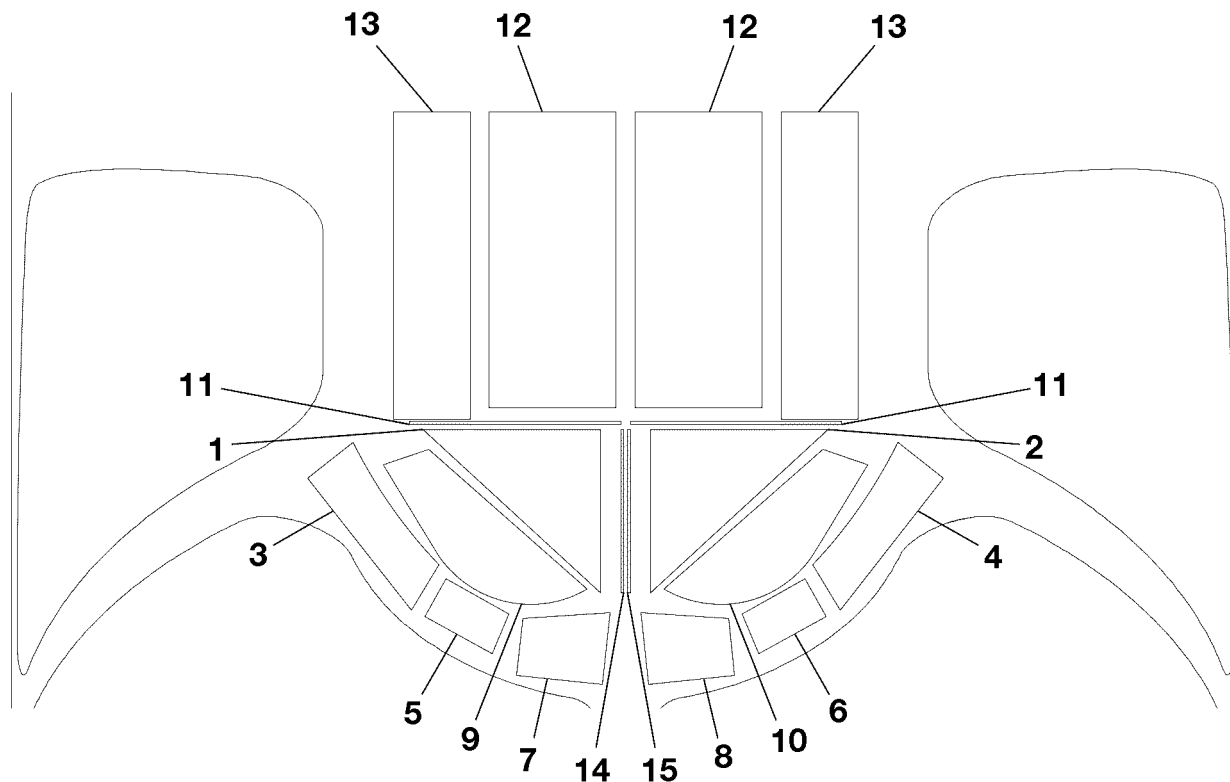
- ITEM NOT ILLUSTRATED

CESSNA®  
**MODEL 525 (SERIALS -0685 AND -0800 AND ON)**  
 ILLUSTRATED PARTS CATALOG

A90462



**VIEW A-A**  
 Looking Forward



**VIEW B-B**  
 Looking Up

DAMPING - FLIGHT COMPARTMENT  
 FIGURE 02 (SHEET 1)

6310T1168  
 AA6319T1587  
 BB6319T1587

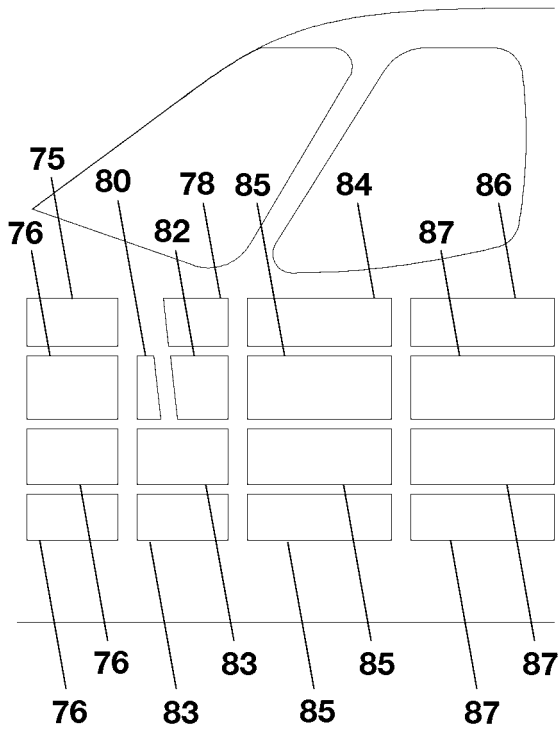
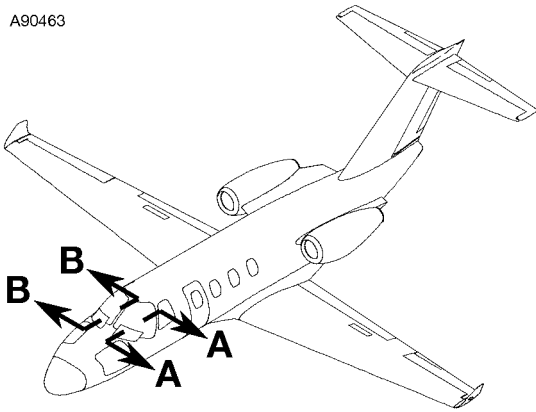
CESSNA®  
**MODEL 525 (SERIALS -0685 AND -0800 AND ON)**  
 ILLUSTRATED PARTS CATALOG

FIG ITEM	PART NUMBER	NOMENCLATURE	UNITS
			PER ASSY
02			
-		DAMPING - FLIGHT COMPARTMENT	RF
1	6319001-29	. DAMPING TAPE-LH . . . . .	01
2	6319001-30	. DAMPING TAPE-RH . . . . .	01
3	6319001-33	. DAMPING TAPE-LH . . . . .	01
4	6319001-34	. DAMPING TAPE-RH . . . . .	01
5	6319001-35	. DAMPING TAPE-LH . . . . .	01
6	6319001-36	. DAMPING TAPE-RH . . . . .	01
7	6319001-37	. DAMPING TAPE-LH . . . . .	01
8	6319001-38	. DAMPING TAPE-RH . . . . .	01
9	6319001-13	. DAMPING TAPE-LH . . . . .	01
10	6319001-14	. DAMPING TAPE-RH . . . . .	01
11	6319001-39	. DAMPING TAPE . . . . .	02
12	6319001-18	. DAMPING TAPE . . . . .	02
13	6319001-17	. DAMPING TAPE . . . . .	02
14	6319001-31	. DAMPING TAPE-LH . . . . .	01
15	6319001-32	. DAMPING TAPE-RH . . . . .	01
16	6319001-26	. DAMPING TAPE-LH . . . . .	01
17	6319001-27	. DAMPING TAPE-CTR . . . . .	01
18	6319001-25	. DAMPING TAPE-RH . . . . .	01

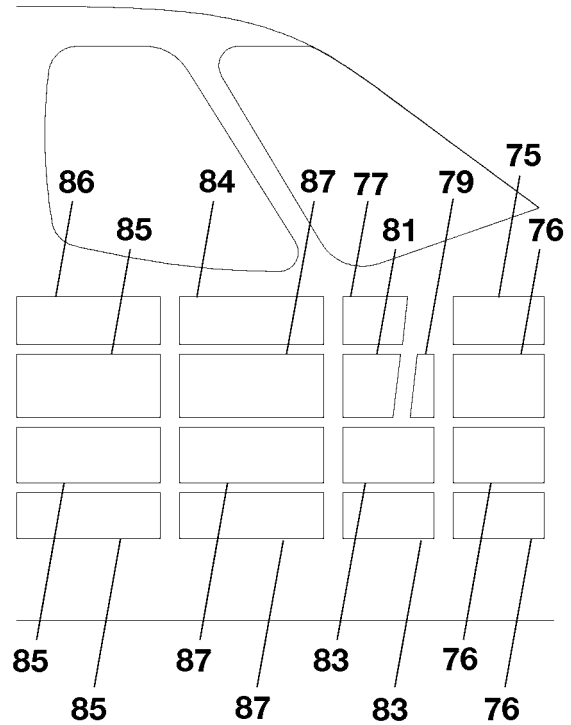
- ITEM NOT ILLUSTRATED

CESSNA®  
**MODEL 525 (SERIALS -0685 AND -0800 AND ON)**  
 ILLUSTRATED PARTS CATALOG

A90463



**VIEW B-B**  
 Looking Outboard



**VIEW A-A**  
 Looking Outboard

DAMPING - FLIGHT COMPARTMENT  
 FIGURE 02 (SHEET 2)

6310T1168  
 AA6319T1587  
 BB6319T1587

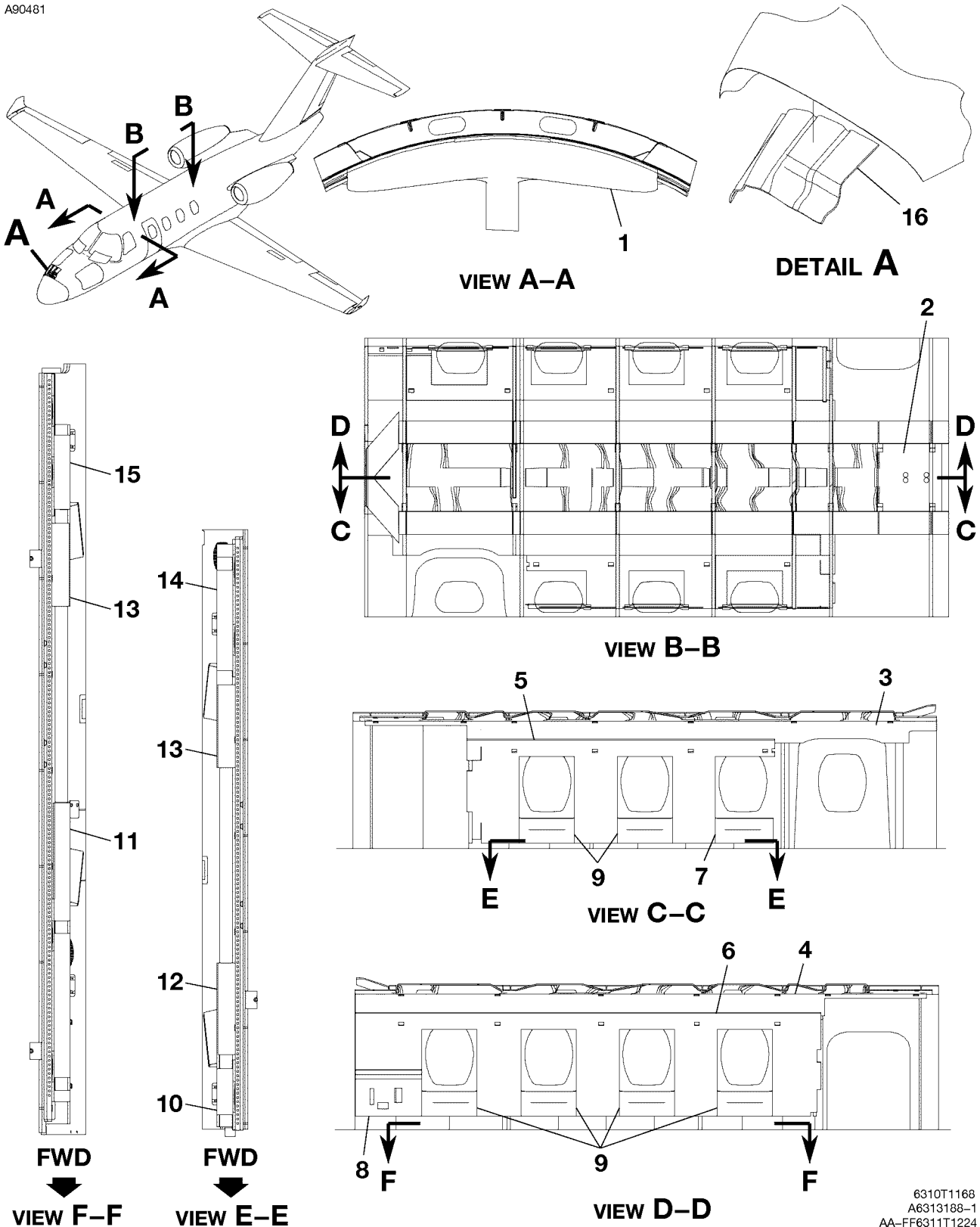
CESSNA®  
**MODEL 525 (SERIALS -0685 AND -0800 AND ON)**  
 ILLUSTRATED PARTS CATALOG

FIG ITEM	PART NUMBER	NOMENCLATURE	UNITS
			PER ASSY
02			
75	6319001-3	. DAMPING TAPE . . . . .	02
76	6319001-2	. DAMPING TAPE . . . . .	06
77	6319001-9	. DAMPING TAPE-LH . . . . .	01
78	6319001-10	. DAMPING TAPE-RH . . . . .	01
79	6319001-5	. DAMPING TAPE-LH . . . . .	01
80	6319001-6	. DAMPING TAPE-RH . . . . .	01
81	6319001-7	. DAMPING TAPE-LH . . . . .	01
82	6319001-8	. DAMPING TAPE-RH . . . . .	01
83	6319001-4	. DAMPING TAPE . . . . .	04
84	6319001-12	. DAMPING TAPE . . . . .	02
85	6319001-15	. DAMPING TAPE . . . . .	06
86	6319001-16	. DAMPING TAPE . . . . .	02
87	6319001-11	. DAMPING TAPE . . . . .	06

- ITEM NOT ILLUSTRATED

CESSNA®  
**MODEL 525 (SERIALS -0685 AND -0800 AND ON)**  
 ILLUSTRATED PARTS CATALOG

A90481



BLANKET INSTALLATION  
 FIGURE 03 (SHEET 1)

6310T1168  
 A6313188-1  
 AA-FF6311T1224



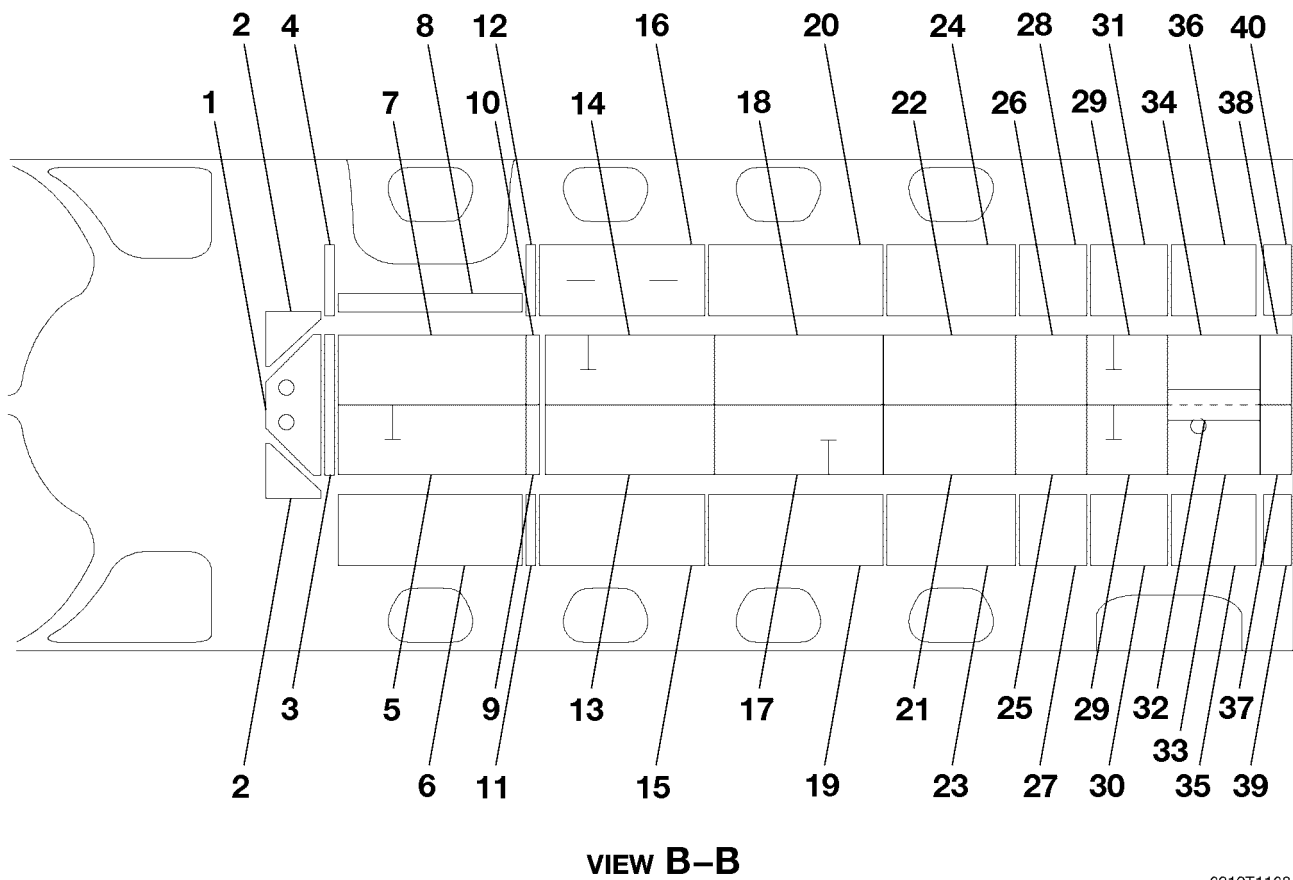
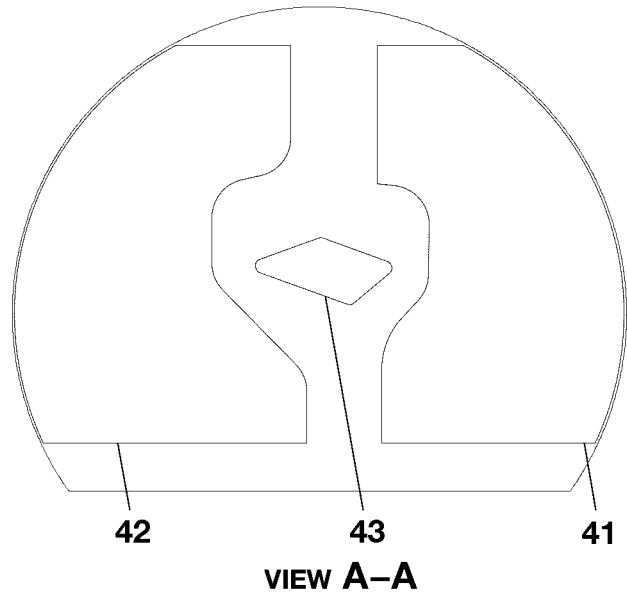
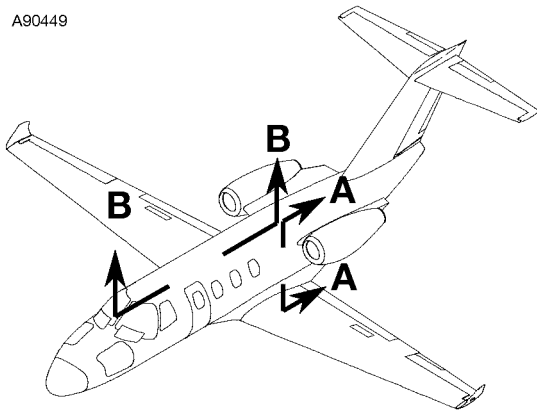
CESSNA®  
**MODEL 525 (SERIALS -0685 AND -0800 AND ON)**  
 ILLUSTRATED PARTS CATALOG

FIG ITEM	PART NUMBER	NOMENCLATURE	UNITS
			PER ASSY
03			
-		BLANKET INSTALLATION	RF R
1	4717401-2	. BLANKET-FLIGHT COMPARTMENT . . . . .	01
2	4711899-16	. BLANKET-AFT . . . . .	01
3	4711928-3	. BLANKET-LH VALANCE . . . . .	01
4	4711928-2	. BLANKET-RH VALANCE . . . . .	01
5	4711928-5	. BLANKET-LH REVEAL . . . . .	01
6	4711928-4	. BLANKET-RH REVEAL . . . . .	01
7	4711928-7	. BLANKET-LH FWD CABIN WINDOW . . . . .	01
8	4711928-8	. BLANKET-RH SFS REVEAL . . . . .	01
9	4711928-6	. BLANKET-WINDOW . . . . .	06
10	4711944-9	. BLANKET-LH FWD SIDELEDGE . . . . .	01
11	4711944-10	. BLANKET-RH FWD SIDELEDGE . . . . .	01
12	4711944-11	. BLANKET-LH MID . . . . .	01
13	4711944-12	. BLANKET-MID SHORT . . . . .	02
14	4711944-13	. BLANKET-LH AFT . . . . .	01
15	4711944-14	. BLANKET-RH AFT . . . . .	01
16	6313188-2	. BLANKET-NOSE BAGGAGE . . . . .	01 R

- ITEM NOT ILLUSTRATED

CESSNA®  
**MODEL 525 (SERIALS -0685 AND -0800 AND ON)**  
 ILLUSTRATED PARTS CATALOG

A90449



6310T1168  
 AA6319T1584  
 BB6319T1583

INSULATION - BAGGED CABIN  
 FIGURE 01 (SHEET 1)

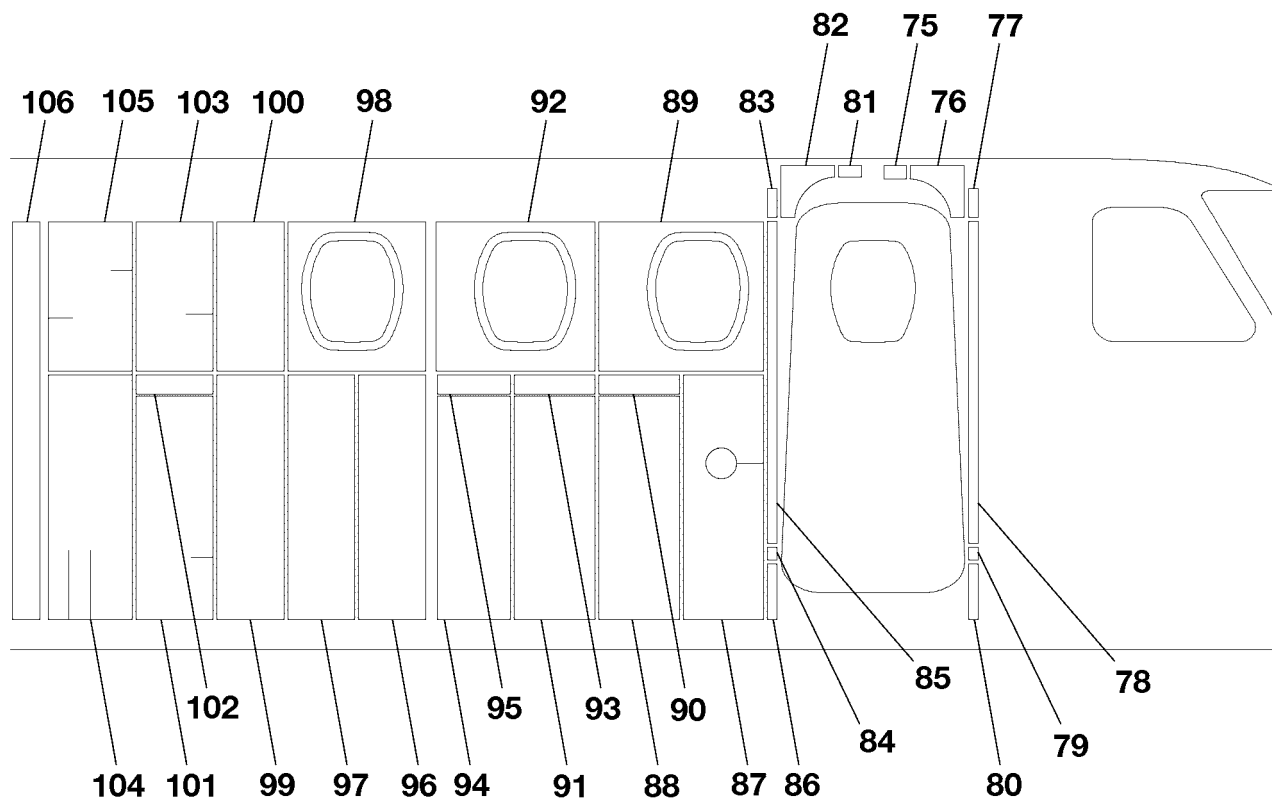
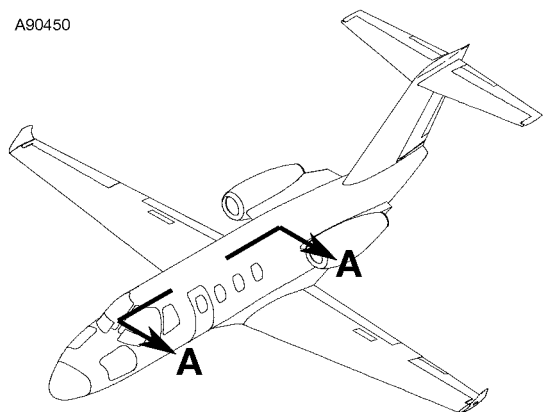
CESSNA®  
**MODEL 525 (SERIALS -0685 AND -0800 AND ON)**  
 ILLUSTRATED PARTS CATALOG

FIG ITEM	PART NUMBER	NOMENCLATURE	UNITS
			PER ASSY
01			
-		INSULATION - BAGGED CABIN	RF
1	9919087-177	. INSULATION-CTR FWD CABIN TOP . . . . .	01
2	9919087-176	. INSULATION-FWD . . . . .	02
3	9919087-44	. INSULATION-CABIN TOP . . . . .	01
4	9919087-51	. INSULATION-LH CABIN TOP . . . . .	01
5	9919087-180	. INSULATION-RH CABIN TOP . . . . .	01
6	9919087-178	. INSULATION-RH CABIN TOP . . . . .	01
7	9919087-179	. INSULATION-LH CABIN TOP . . . . .	01
8	9919087-181	. INSULATION-LH CABIN TOP . . . . .	01
9	9919087-184	. INSULATION-RH CABIN TOP . . . . .	01
10	9919087-183	. INSULATION-LH CABIN TOP . . . . .	01
11	9919087-182	. INSULATION-RH CABIN TOP . . . . .	01
12	9919087-185	. INSULATION-LH CABIN TOP . . . . .	01
13	9919087-188	. INSULATION-RH CABIN TOP . . . . .	01
14	9919087-187	. INSULATION-LH CABIN TOP . . . . .	01
15	9919087-186	. INSULATION-RH CABIN TOP . . . . .	01
16	9919087-189	. INSULATION-LH CABIN TOP . . . . .	01
17	9919087-192	. INSULATION-RH CABIN TOP . . . . .	01
18	9919087-191	. INSULATION-LH CABIN TOP . . . . .	01
19	9919087-190	. INSULATION-RH CABIN TOP . . . . .	01
20	9919087-193	. INSULATION-LH CABIN TOP . . . . .	01
21	9919087-196	. INSULATION-RH CABIN TOP . . . . .	01
22	9919087-195	. INSULATION-LH CABIN TOP . . . . .	01
23	9919087-194	. INSULATION-RH CABIN TOP . . . . .	01
24	9919087-197	. INSULATION-LH CABIN TOP . . . . .	01
25	9919087-200	. INSULATION-RH CABIN TOP . . . . .	01
26	9919087-199	. INSULATION-LH CABIN TOP . . . . .	01
27	9919087-198	. INSULATION-RH CABIN TOP . . . . .	01
28	9919087-201	. INSULATION-LH CABIN TOP . . . . .	01
29	9919087-203	. INSULATION-CABIN TOP . . . . .	02
30	9919087-202	. INSULATION-RH CABIN TOP . . . . .	01
31	9919087-205	. INSULATION-LH CABIN TOP . . . . .	01
32	9919087-204	. INSULATION-CTR CABIN TOP . . . . .	01
33	9919087-208	. INSULATION-RH CABIN TOP . . . . .	01
34	9919087-207	. INSULATION-LH CABIN TOP . . . . .	01
35	9919087-206	. INSULATION-RH CABIN TOP . . . . .	01
36	9919087-209	. INSULATION-LH CABIN TOP . . . . .	01
37	9919087-212	. INSULATION-RH CABIN TOP . . . . .	01
38	9919087-211	. INSULATION-LH CABIN TOP . . . . .	01
39	9919087-210	. INSULATION-RH CABIN TOP . . . . .	01
40	9919087-213	. INSULATION-LH CABIN TOP . . . . .	01
41	9919087-175	. INSULATION-AFT BULKHEAD . . . . .	01
42	9919087-160	. INSULATION-AFT BULKHEAD . . . . .	01
43	9919087-162	. INSULATION-AFT BULKHEAD . . . . .	01

- ITEM NOT ILLUSTRATED

CESSNA®  
**MODEL 525 (SERIALS -0685 AND -0800 AND ON)**  
 ILLUSTRATED PARTS CATALOG

A90450



**VIEW A-A**

INSULATION - BAGGED CABIN  
 FIGURE 01 (SHEET 2)

6310T1168  
 AA6319T1585

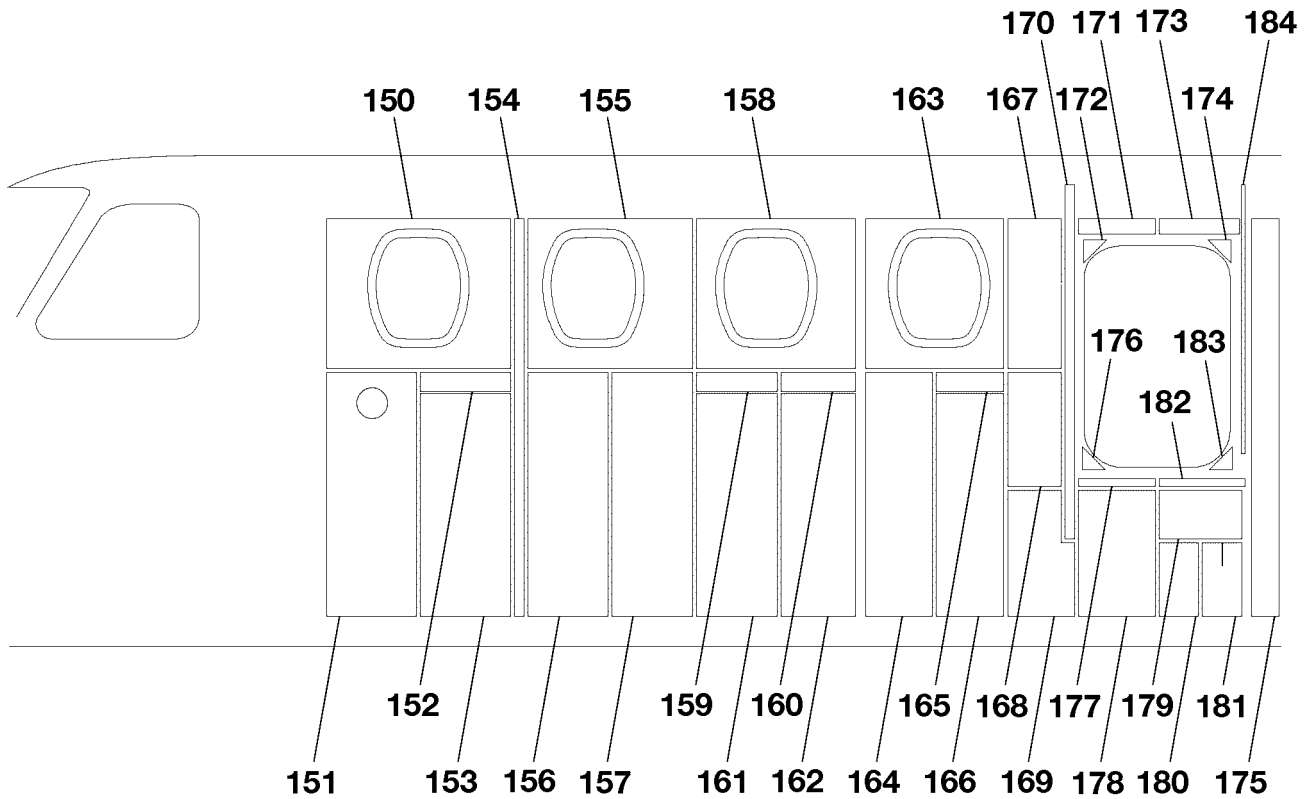
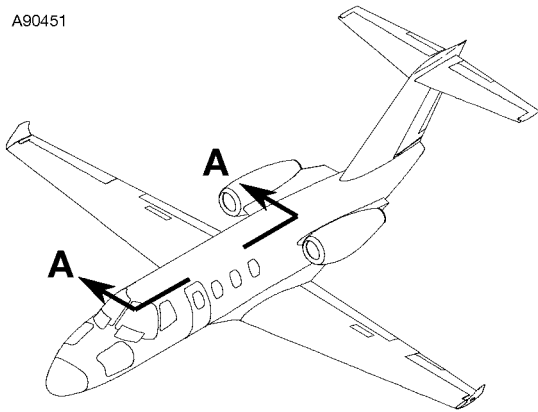
CESSNA®  
**MODEL 525 (SERIALS -0685 AND -0800 AND ON)**  
 ILLUSTRATED PARTS CATALOG

FIG ITEM	PART NUMBER	NOMENCLATURE	UNITS
			PER ASSY
01			
75	9919087-97	. INSULATION-LH SIDE . . . . .	01
76	9919087-95	. INSULATION-LH SIDE . . . . .	01
77	9919087-49	. INSULATION-LH SIDE . . . . .	01
78	9919087-47	. INSULATION-LH SIDE . . . . .	01
79	9919087-45	. INSULATION-LH SIDE . . . . .	01
80	9919087-43	. INSULATION-LH SIDE . . . . .	01
81	9919087-101	. INSULATION-LH SIDE . . . . .	01
82	9919087-103	. INSULATION-LH SIDE . . . . .	01
83	9919087-111	. INSULATION-LH SIDE . . . . .	01
84	9919087-109	. INSULATION-LH SIDE . . . . .	01
85	9919087-107	. INSULATION-LH SIDE . . . . .	01
86	9919087-105	. INSULATION-LH SIDE . . . . .	01
87	9919087-115	. INSULATION-LH SIDE . . . . .	01
88	9919087-121	. INSULATION-LH SIDE . . . . .	01
89	9919087-215	. INSULATION-LH SIDE . . . . .	01
90	9919087-123	. INSULATION-LH SIDE . . . . .	01
91	9919087-127	. INSULATION-LH SIDE . . . . .	01
92	9919087-217	. INSULATION-LH SIDE . . . . .	01
93	9919087-129	. INSULATION-LH SIDE . . . . .	01
94	9919087-135	. INSULATION-LH SIDE . . . . .	01
95	9919087-137	. INSULATION-LH SIDE . . . . .	01
96	9919087-141	. INSULATION-LH SIDE . . . . .	01
97	9919087-147	. INSULATION-LH SIDE . . . . .	01
98	9919087-219	. INSULATION-LH SIDE . . . . .	01
99	9919087-151	. INSULATION-LH SIDE . . . . .	01
100	9919087-153	. INSULATION-LH SIDE . . . . .	01
101	9919087-157	. INSULATION-LH SIDE . . . . .	01
102	9919087-159	. INSULATION-LH SIDE . . . . .	01
103	9919087-161	. INSULATION-LH SIDE . . . . .	01
104	9919087-165	. INSULATION-LH SIDE . . . . .	01
105	9919087-167	. INSULATION-LH SIDE . . . . .	01
106	9919087-171	. INSULATION-LH SIDE . . . . .	01

- ITEM NOT ILLUSTRATED

CESSNA®  
**MODEL 525 (SERIALS -0685 AND -0800 AND ON)**  
 ILLUSTRATED PARTS CATALOG

A90451



**VIEW A-A**

INSULATION - BAGGED CABIN  
 FIGURE 01 (SHEET 3)

6310T1168  
 AA6319T1586

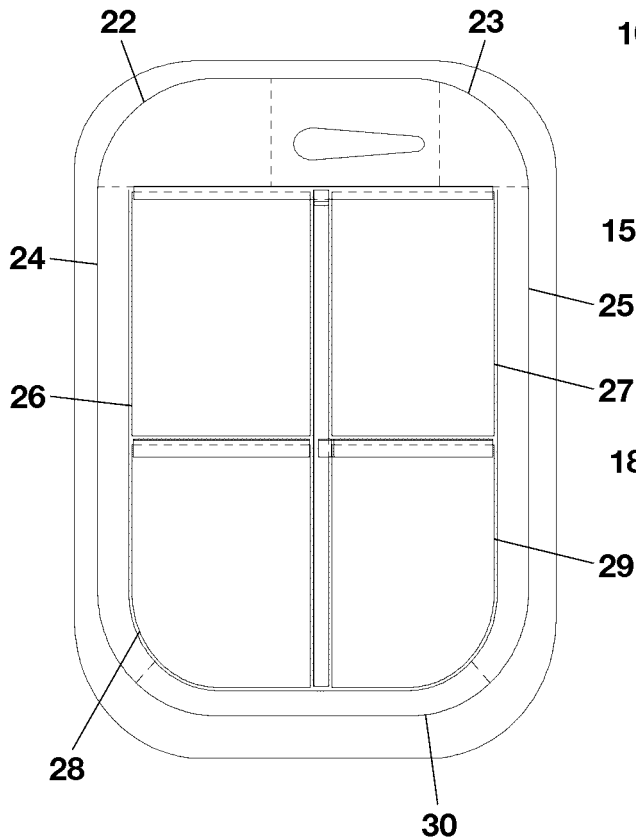
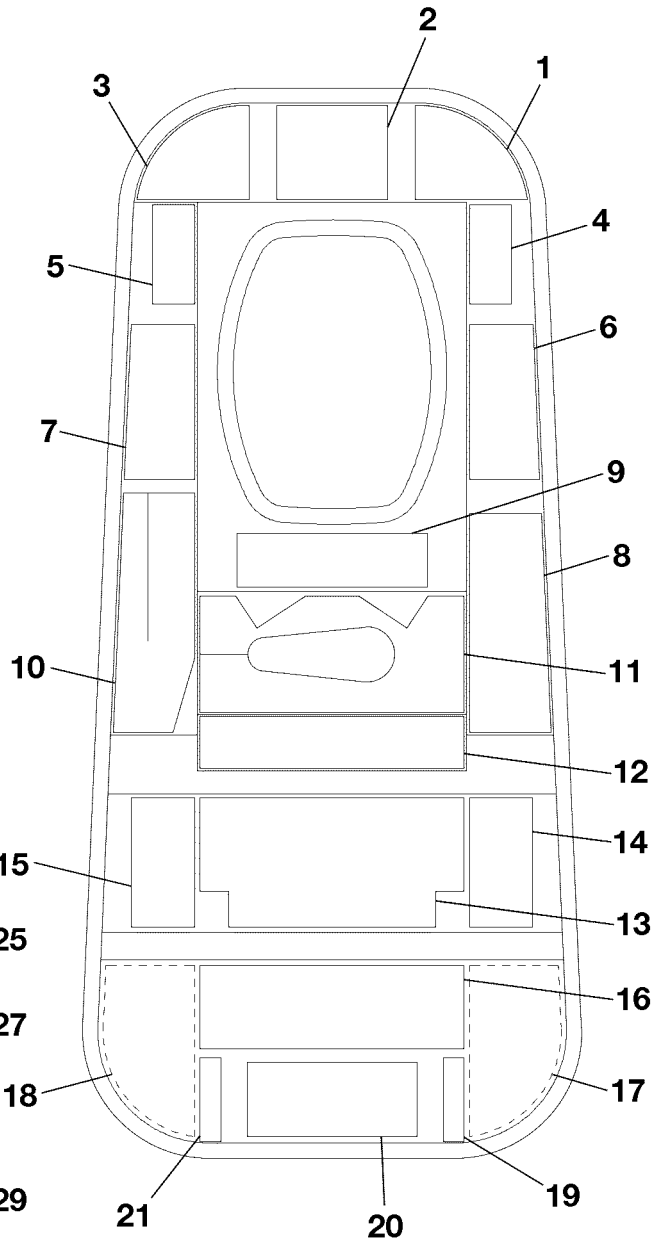
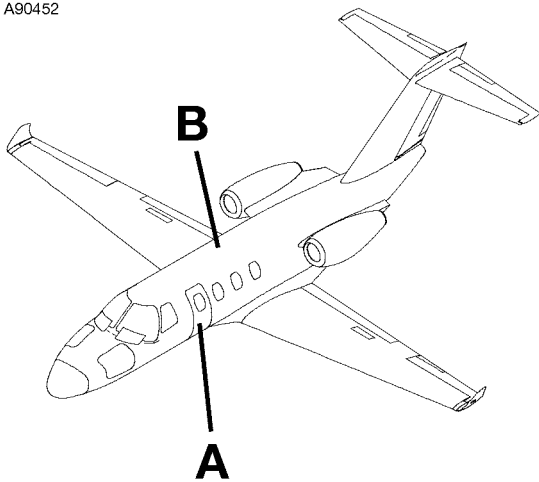
CESSNA®  
**MODEL 525 (SERIALS -0685 AND -0800 AND ON)**  
 ILLUSTRATED PARTS CATALOG

FIG ITEM	PART NUMBER	NOMENCLATURE	UNITS
			PER ASSY
01			
150	9919078-52	. INSULATION-RH SIDE . . . . .	01
151	9919087-46	. INSULATION-RH SIDE . . . . .	01
152	9919087-54	. INSULATION-RH SIDE . . . . .	01
153	9919087-52	. INSULATION-RH SIDE . . . . .	01
154	9919087-58	. INSULATION-RH SIDE . . . . .	01
155	9919087-216	. INSULATION-RH SIDE . . . . .	01
156	9919087-62	. INSULATION-RH SIDE . . . . .	01
157	9919087-68	. INSULATION-RH SIDE . . . . .	01
158	9919087-218	. INSULATION-RH SIDE . . . . .	01
159	9919087-74	. INSULATION-RH SIDE . . . . .	01
160	9919087-82	. INSULATION-RH SIDE . . . . .	01
161	9919087-72	. INSULATION-RH SIDE . . . . .	01
162	9919087-80	. INSULATION-RH SIDE . . . . .	01
163	9919087-220	. INSULATION-RH SIDE . . . . .	01
164	9919087-86	. INSULATION-RH SIDE . . . . .	01
165	9919087-94	. INSULATION-RH SIDE . . . . .	01
166	9919087-92	. INSULATION-RH SIDE . . . . .	01
167	9919087-102	. INSULATION-RH SIDE . . . . .	01
168	9919087-100	. INSULATION-RH SIDE . . . . .	01
169	9919087-98	. INSULATION-RH SIDE . . . . .	01
170	9919087-106	. INSULATION-RH SIDE . . . . .	01
171	9919087-116	. INSULATION-RH SIDE . . . . .	01
172	9919087-114	. INSULATION-RH SIDE . . . . .	01
173	9919087-150	. INSULATION-RH SIDE . . . . .	01
174	9919087-148	. INSULATION-RH SIDE . . . . .	01
175	9919087-156	. INSULATION-RH SIDE . . . . .	01
176	9919087-112	. INSULATION-RH SIDE . . . . .	01
177	9919087-110	. INSULATION-RH SIDE . . . . .	01
178	9919087-108	. INSULATION-RH SIDE . . . . .	01
179	9919087-142	. INSULATION-RH SIDE . . . . .	01
180	9919087-138	. INSULATION-RH SIDE . . . . .	01
181	9919087-140	. INSULATION-RH SIDE . . . . .	01
182	9919087-144	. INSULATION-RH SIDE . . . . .	01
183	9919087-146	. INSULATION-RH SIDE . . . . .	01
184	9919087-154	. INSULATION-RH SIDE . . . . .	01

- ITEM NOT ILLUSTRATED

CESSNA®  
**MODEL 525 (SERIALS -0685 AND -0800 AND ON)**  
 ILLUSTRATED PARTS CATALOG

A90452



**DETAIL A**  
 View Looking Outboard at Cabin Door

**DETAIL B**  
 View Looking Outboard at Escape Hatch

INSULATION - BAGGED CABIN DOOR AND ESCAPE HATCH  
 FIGURE 02 (SHEET 1)

6310T1168  
 A6319T1582  
 B6319T1582



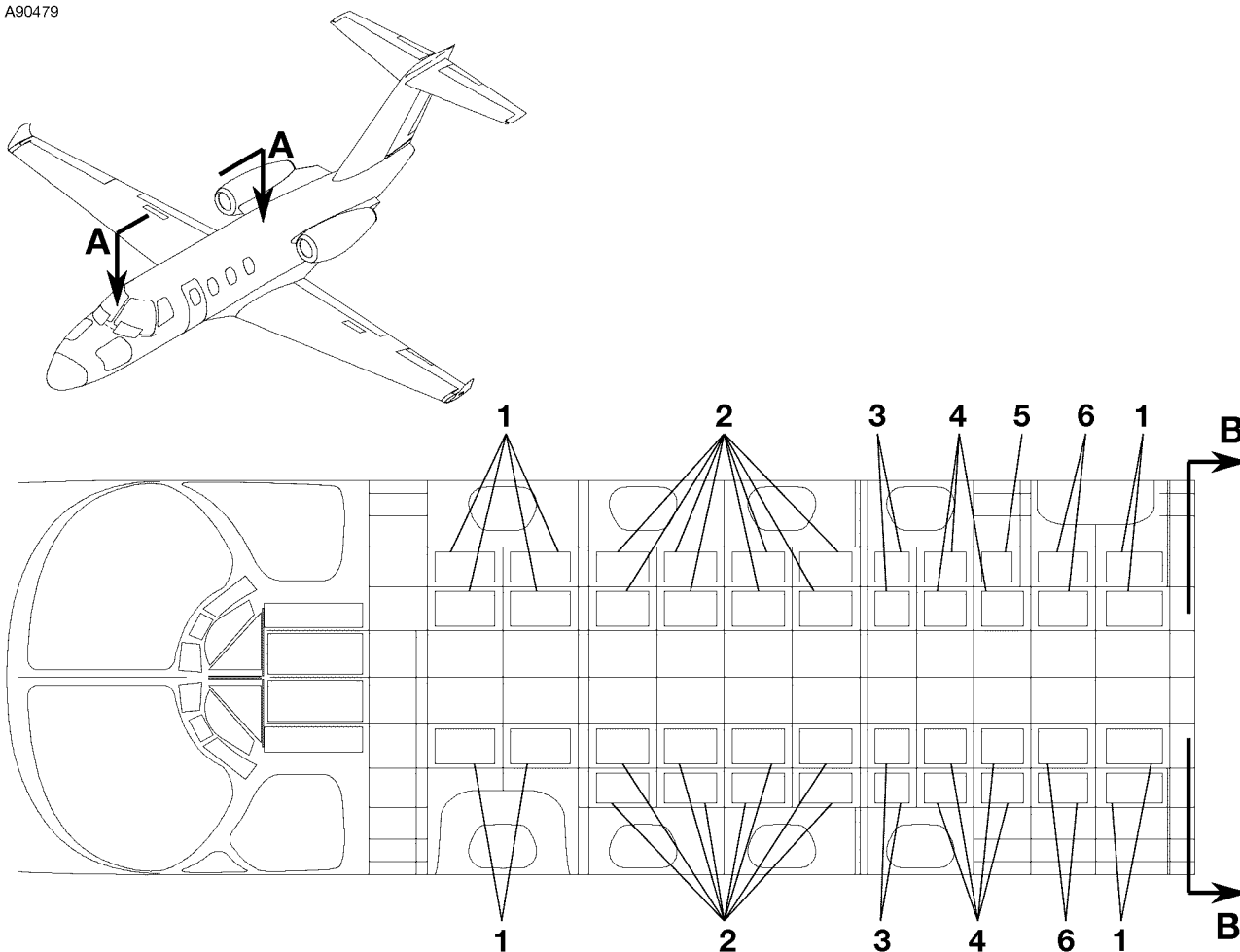
CESSNA®  
**MODEL 525 (SERIALS -0685 AND -0800 AND ON)**  
 ILLUSTRATED PARTS CATALOG

FIG ITEM	PART NUMBER	NOMENCLATURE	UNITS
			PER ASSY
02		INSULATION - BAGGED CABIN DOOR AND ESCAPE HATCH	RF
-			
1	9919087-63	. INSULATION-CABIN DOOR UPR FWD . . . . .	01
2	9919087-79	. INSULATION-CABIN DOOR UPR CTR . . . . .	01
3	9919087-93	. INSULATION-CABIN DOOR UPR AFT . . . . .	01
4	9919087-61	. INSULATION-CABIN DOOR FWD . . . . .	01
5	9919087-91	. INSULATION-CABIN DOOR AFT . . . . .	01
6	9919087-59	. INSULATION-CABIN DOOR FWD . . . . .	01
7	9919087-89	. INSULATION-CABIN DOOR AFT . . . . .	01
8	9919087-57	. INSULATION-CABIN DOOR FWD . . . . .	01
9	9919087-77	. INSULATION-CABIN DOOR CTR . . . . .	01
10	9919087-87	. INSULATION-CABIN DOOR AFT . . . . .	01
11	9919087-75	. DAMPING-CABIN DOOR CTR . . . . .	01
12	9919087-73	. INSULATION-CABIN DOOR FWD . . . . .	01
13	9919087-71	. INSULATION-CABIN DOOR AFT . . . . .	01
14	9919087-55	. INSULATION-CABIN DOOR FWD . . . . .	01
15	9919087-85	. INSULATION-CABIN DOOR AFT . . . . .	01
16	9919087-69	. INSULATION-CABIN DOOR CTR . . . . .	01
17	9919087-53	. INSULATION-CABIN DOOR FWD . . . . .	01
18	9919087-83	. INSULATION-CABIN DOOR AFT . . . . .	01
19	9919087-65	. INSULATION-CABIN DOOR LWR CTR . . . . .	01
20	9919087-67	. INSULATION-CABIN DOOR LWR CTR . . . . .	01
21	9919087-81	. INSULATION-CABIN DOOR LWR CTR . . . . .	01
22	9919087-126	. INSULATION-ESCAPE HATCH UPR FWD . . . . .	01
23	9919087-136	. INSULATION-ESCAPE HATCH UPR AFT . . . . .	01
24	9919087-124	. INSULATION-ESCAPE HATCH FWD . . . . .	01
25	9919087-134	. INSULATION-ESCAPE HATCH AFT . . . . .	01
26	9919087-122	. INSULATION-ESCAPE HATCH UPR CTR FWD . . . . .	01
27	9919087-132	. INSULATION-ESCAPE HATCH UPR CTR AFT . . . . .	01
28	9919087-120	. INSULATION-ESCAPE HATCH LWR CTR FWD . . . . .	01
29	9919087-130	. INSULATION-ESCAPE HATCH LWR CTR AFT . . . . .	01
30	9919087-128	. INSULATION-ESCAPE HATCH LWR . . . . .	01

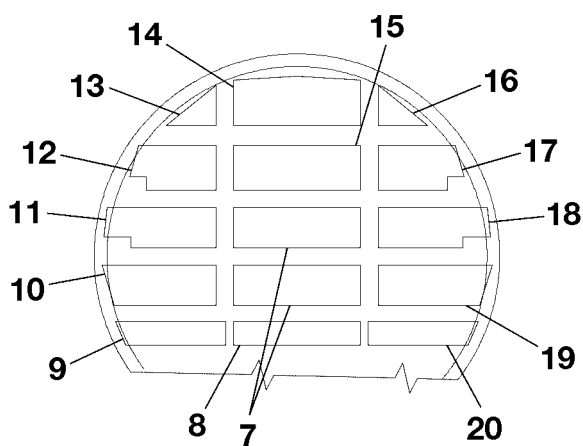
- ITEM NOT ILLUSTRATED

CESSNA®  
**MODEL 525 (SERIALS -0685 AND -0800 AND ON)**  
 ILLUSTRATED PARTS CATALOG

A90479



**VIEW A-A**



**VIEW B-B**

DAMPING - CABIN  
 FIGURE 03 (SHEET 1)

6310T1168  
 AA6319T1568  
 BB6319T1568

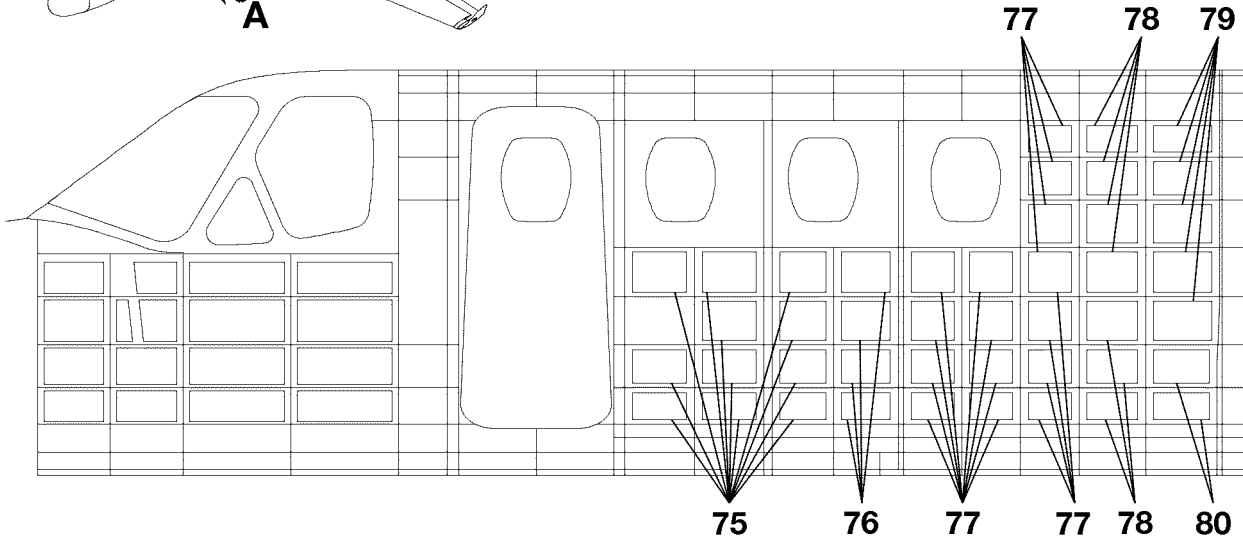
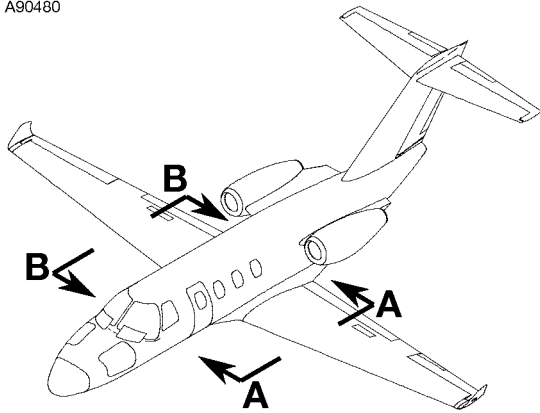
CESSNA®  
**MODEL 525 (SERIALS -0685 AND -0800 AND ON)**  
 ILLUSTRATED PARTS CATALOG

FIG ITEM	PART NUMBER	NOMENCLATURE	UNITS
			PER ASSY
03			
-		DAMPING - CABIN	RF
1	6519420-25	. DAMPING TAPE . . . . .	10
2	6319001-19	. DAMPING TAPE . . . . .	16
3	6319001-20	. DAMPING TAPE . . . . .	04
4	6519420-19	. DAMPING TAPE . . . . .	07
5	6319001-24	. DAMPING TAPE . . . . .	01
6	6319001-2	. DAMPING TAPE . . . . .	04
7	6519213-33	. DAMPING TAPE . . . . .	02
8	6519213-58	. DAMPING TAPE . . . . .	01
9	6519213-57	. DAMPING TAPE . . . . .	01
10	6519213-30	. DAMPING TAPE . . . . .	01
11	6519213-28	. DAMPING TAPE . . . . .	01
12	6519213-26	. DAMPING TAPE . . . . .	01
13	6519213-24	. DAMPING TAPE . . . . .	01
14	6519213-31	. DAMPING TAPE . . . . .	01
15	6519213-32	. DAMPING TAPE . . . . .	01
16	6519213-23	. DAMPING TAPE . . . . .	01
17	6519213-25	. DAMPING TAPE . . . . .	01
18	6519213-27	. DAMPING TAPE . . . . .	01
19	6519213-29	. DAMPING TAPE . . . . .	01
20	6519213-56	. DAMPING TAPE . . . . .	01

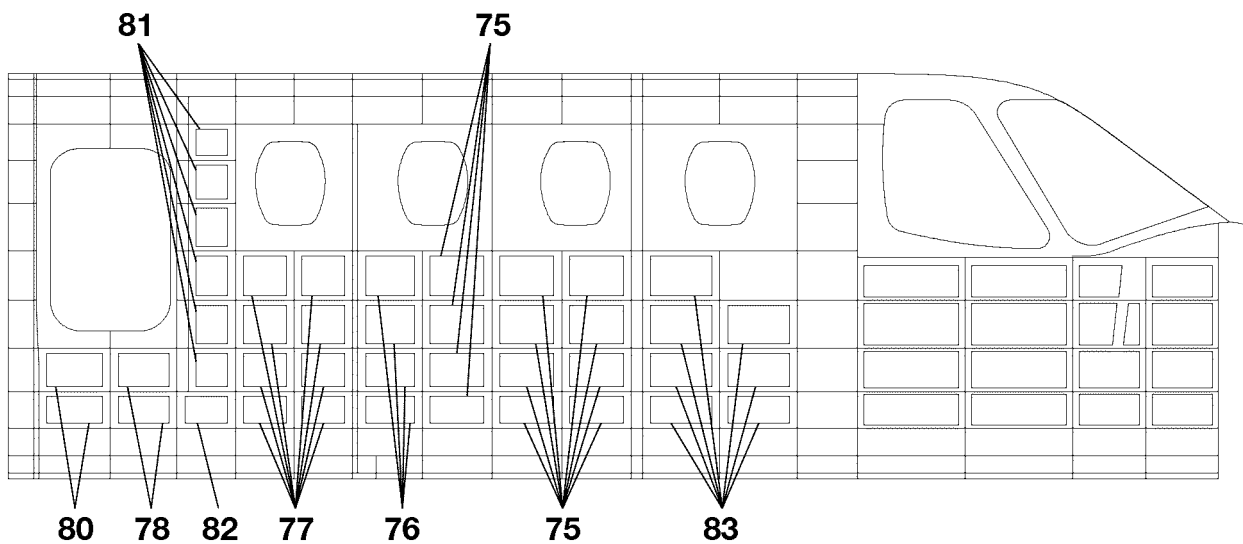
- ITEM NOT ILLUSTRATED

CESSNA®  
**MODEL 525 (SERIALS -0685 AND -0800 AND ON)**  
 ILLUSTRATED PARTS CATALOG

A90480



**VIEW A-A**



**VIEW B-B**

DAMPING - CABIN  
 FIGURE 03 (SHEET 2)

6310T1168  
 AA6319T1568  
 BB6319T1568

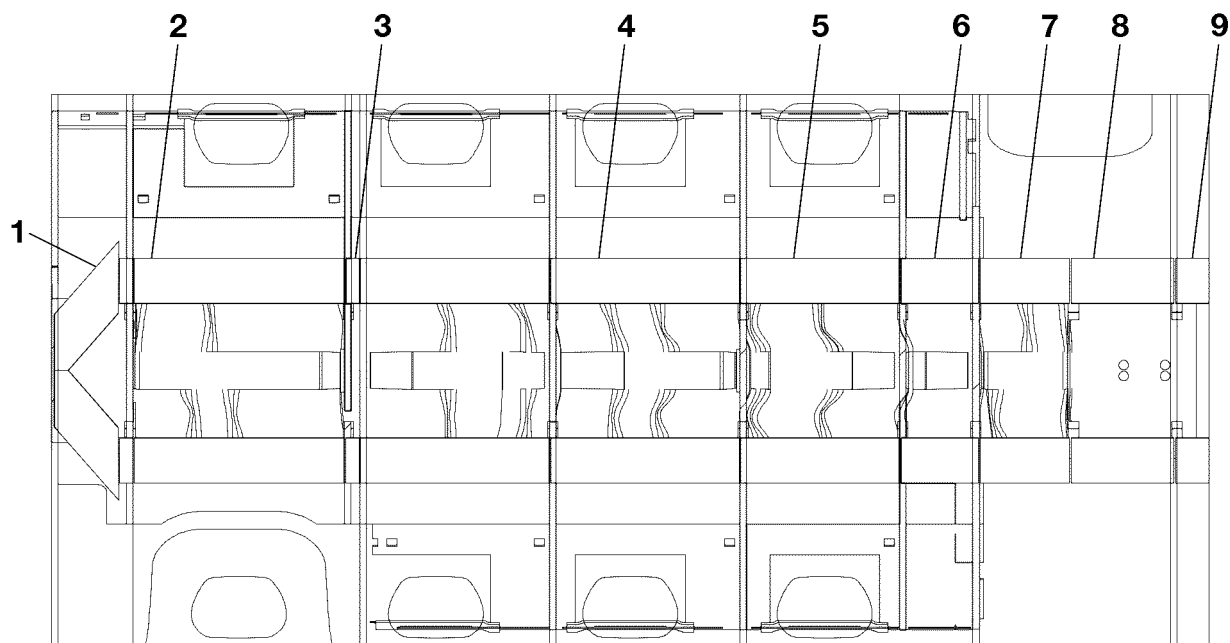
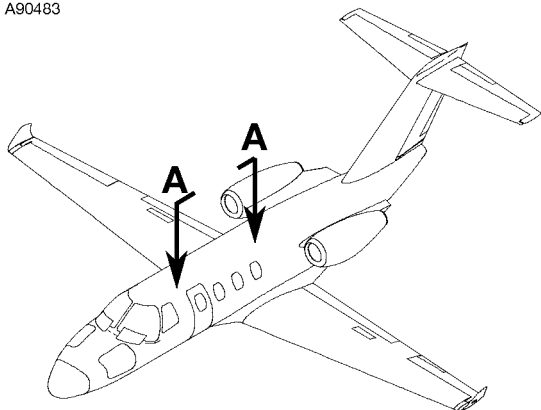
CESSNA®  
**MODEL 525 (SERIALS -0685 AND -0800 AND ON)**  
 ILLUSTRATED PARTS CATALOG

FIG ITEM	PART NUMBER	NOMENCLATURE	UNITS PER ASSY
	1 2 3 4 5 6 7		
03			
75	6319001-19	. DAMPING TAPE . . . . .	23
76	6519420-23	. DAMPING TAPE . . . . .	08
77	6519420-19	. DAMPING TAPE . . . . .	23
78	6319001-2	. DAMPING TAPE . . . . .	09
79	6319001-21	. DAMPING TAPE-LH . . . . .	05
80	6319001-23	. DAMPING TAPE . . . . .	04
81	6319001-24	. DAMPING TAPE-RH . . . . .	06
82	6319001-28	. DAMPING TAPE-RH . . . . .	01
83	6519420-25	. DAMPING TAPE-RH . . . . .	07

- ITEM NOT ILLUSTRATED

CESSNA®  
MODEL 525 (SERIALS -0685 AND -0800 AND ON)  
ILLUSTRATED PARTS CATALOG

A90483



VIEW A-A

INSULATION BLANKETS - OVERHEAD CABIN DUCTS  
FIGURE 01 (SHEET 1)

6310T1168  
AA6311T1224

CESSNA®  
**MODEL 525 (SERIALS -0685 AND -0800 AND ON)**  
 ILLUSTRATED PARTS CATALOG

FIG ITEM	PART NUMBER	NOMENCLATURE	UNITS PER ASSY
01			
-		INSULATION BLANKETS - OVERHEAD CABIN DUCTS	RF
1	4711726-10	. BLANKET-FWD UPR . . . . .	02
2	4711726-9	. BLANKET-UPR . . . . .	02
3	4711726-8	. BLANKET-UPR . . . . .	04
4	4711726-7	. BLANKET-UPR . . . . .	04
5	4711726-6	. BLANKET-UPR MID . . . . .	02
6	4711726-5	. BLANKET-UPR MID . . . . .	02
7	4711726-4	. BLANKET-UPR AFT . . . . .	02
8	4711726-3	. BLANKET-UPR AFT . . . . .	02
9	4711726-2	. BLANKET-UPR AFT . . . . .	02

- ITEM NOT ILLUSTRATED





**CHAPTER**

**26**

**FIRE PROTECTION**



CESSNA®  
**MODEL 525 (SERIALS -0685 AND -0800 AND ON)**  
ILLUSTRATED PARTS CATALOG

<b>CHAPTER SECTION SUBJECT</b>		<b>NUMBER OF PAGES</b>	<b>DATE</b>
26 - TITLE			
26 - LIST OF EFFECTIVE PAGES			
26 - RECORD OF TEMPORARY REVISIONS			
26 - TABLE OF CONTENTS			
26-10-00	Figure 01	2	Nov 1/2013
26-20-00	Figure 01	2	Jun 1/2017
26-20-00	Figure 02	2	Nov 1/2013
26-20-01	Figure 01	2	Jun 1/2015
26-20-05	Figure 01	2	Nov 1/2013





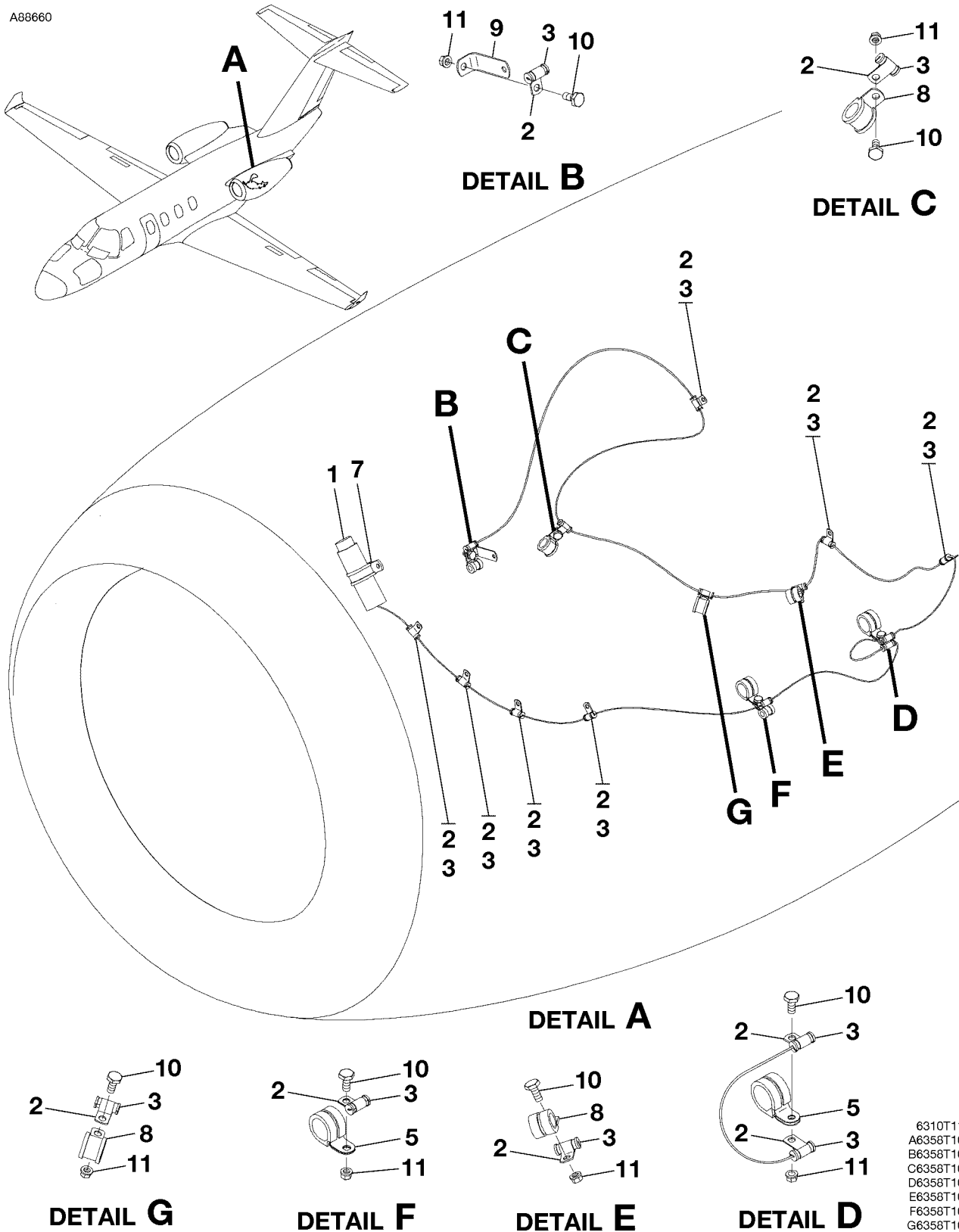


CESSNA®  
**MODEL 525 (SERIALS -0685 AND -0800 AND ON)**  
 ILLUSTRATED PARTS CATALOG

<u>SUBJECT</u>	<u>CHAPTER SECTION SUBJECT</u>	<u>FIGURE</u>	<u>EFFECTIVITY</u>	
			<u>START</u>	<u>END</u>
FIRE DETECTION SYSTEM	26-10-00	01		
FIRE EXTINGUISHER SYSTEM - ENGINE	26-20-00	01		
FIRE EXTINGUISHER SYSTEM	26-20-00	02		
FIRE EXTINGUISHER - PORTABLE	26-20-01	01		
ENGINE FIRE SWITCHES	26-20-05	01		

CESSNA®  
**MODEL 525 (SERIALS -0685 AND -0800 AND ON)**  
 ILLUSTRATED PARTS CATALOG

A88660



- 6310T1168
- A6358T1052
- B6358T1053
- C6358T1053
- D6358T1053
- E6358T1053
- F6358T1053
- G6358T1053

FIRE DETECTION SYSTEM  
 FIGURE 01 (SHEET 1)



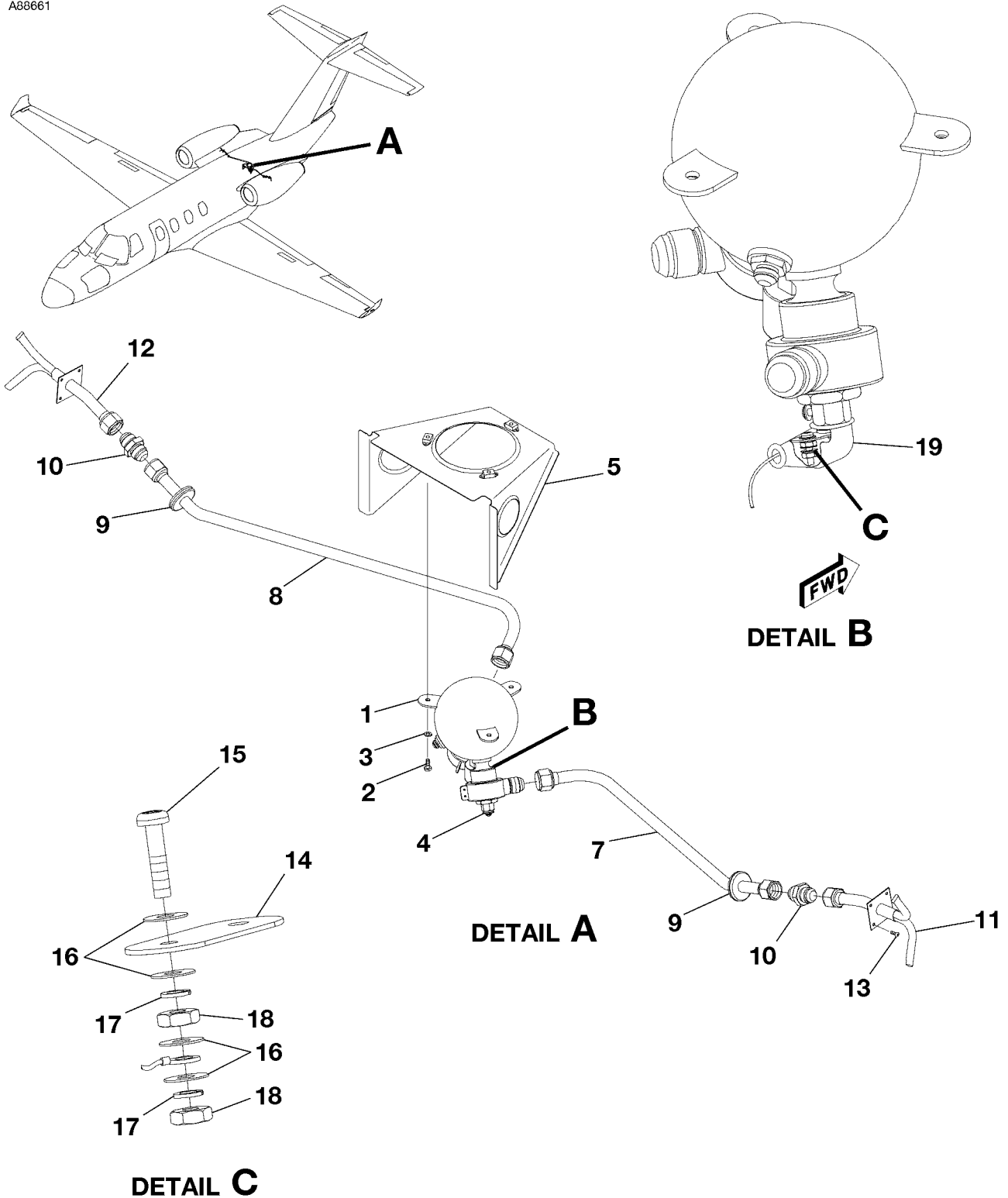
CESSNA®  
**MODEL 525 (SERIALS -0685 AND -0800 AND ON)**  
 ILLUSTRATED PARTS CATALOG

FIG ITEM	PART NUMBER	NOMENCLATURE	UNITS
			PER ASSY
01		FIRE DETECTION SYSTEM	RF
-			
1	9912416-1	. FIRE DETECT-ENGINE-SENSOR TD001 . . . . .	02
2	AN742F4	. CLAMP . . . . .	28
3	3106	. BUSHING . . . . . V25693	28
- 4		. DELETED-NOT USED . . . . .	
5	MS21919WCJ10	. CLAMP . . . . .	04
- 6		. DELETED-NOT USED . . . . .	
7	MS21919WCJ16	. CLAMP . . . . .	02
8	MS21919WCJ8	. CLAMP . . . . .	06
9	S3001-3	. BRACKET . . . . .	02
10	AN3C3A	. BOLT . . . . .	12
11	MS21042-3	. NUT . . . . .	12

- ITEM NOT ILLUSTRATED

CESSNA®  
**MODEL 525 (SERIALS -0685 AND -0800 AND ON)**  
 ILLUSTRATED PARTS CATALOG

A88661



FIRE EXTINGUISHER SYSTEM - ENGINE  
 FIGURE 01 (SHEET 1)

6310T1168  
 A-C6355T1040

CESSNA®  
**MODEL 525 (SERIALS -0685 AND -0800 AND ON)**  
 ILLUSTRATED PARTS CATALOG

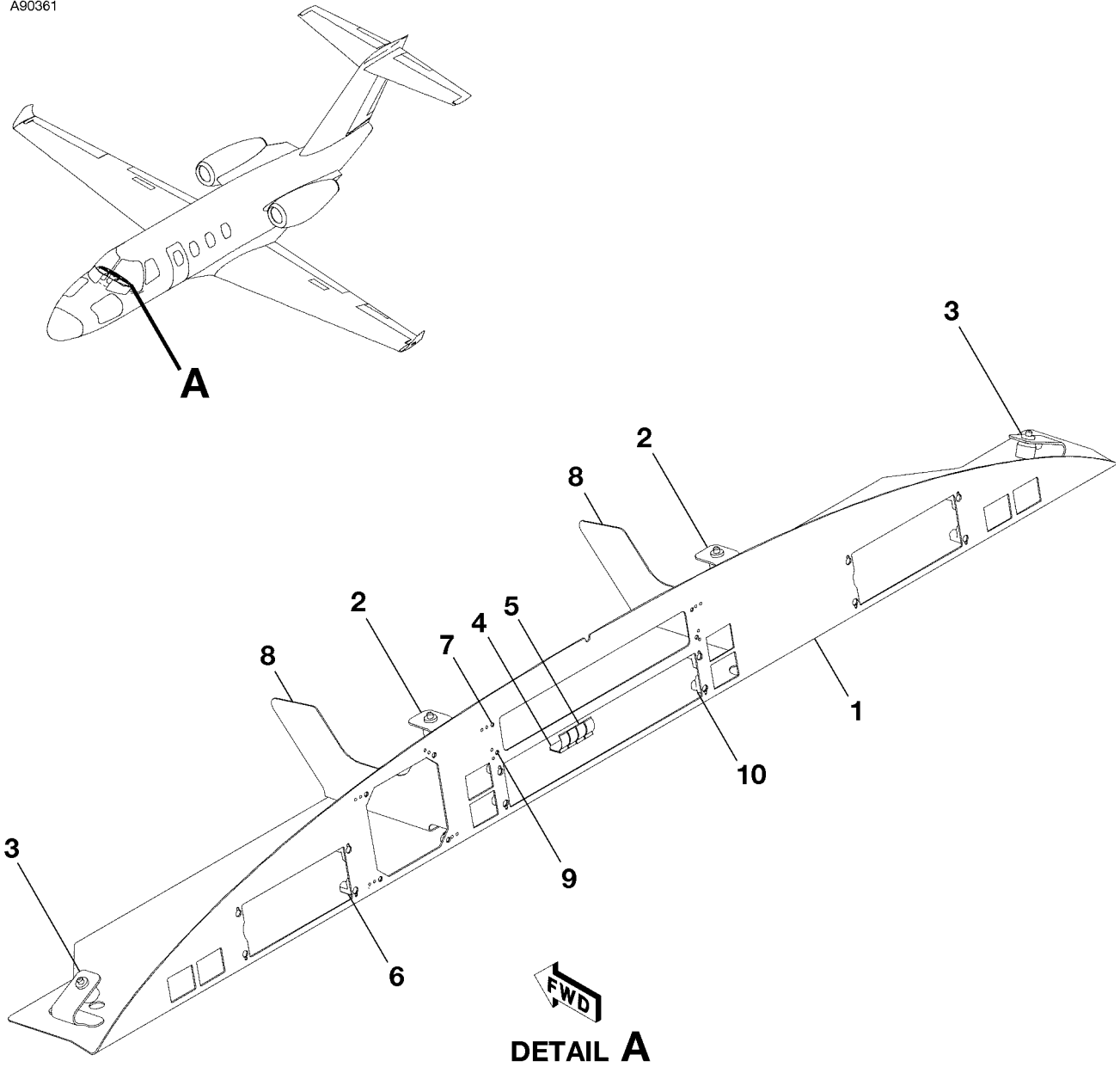
FIG ITEM	PART NUMBER	NOMENCLATURE	UNITS	
			PER	ASSY
01		FIRE EXTINGUISHER SYSTEM - ENGINE		RF
- 1	9912048-6	. FIRE EXTINGUISHER . . . . .	0800	0978 01 R
- 1A	9912048-7	. FIRE EXTINGUISHER . . . . . ATTACHING PARTS	0979	& ON 01 R
2	AN4-5A	. BOLT . . . . .		03
3	NAS1149F0432P	. WASHER . . . . . —*—		03
4	13083-5	. . ACTUATOR CARTRIDGE . . . . . V05167		02
- 4A	AE13083-5	. . ACTUATOR CARTRIDGE ALT FOR 13083-5 . . . . . V05167		02
5	6355015-2	. BRACKET ASSY . . . . .		01
- 6	MS21059-4	. . NUTPLATE . . . . .		03
7	6355015-5	. TUBE ASSY-LH . . . . .	0800	0839 01
- 7A	6355015-9	. TUBE ASSY-LH . . . . .	0840	& ON 01
8	6355015-4	. TUBE ASSY-RH . . . . .	0800	0839 01
- 8A	6355015-8	. TUBE ASSY-RH . . . . .	0840	& ON 01
9	MS35489-21	. GROMMET . . . . .		02
10	AS5174D1212	. UNION . . . . .		02
11	6355009-43	. NOZZLE ASSY-LH . . . . .		01
12	6355009-44	. NOZZLE ASSY-RH . . . . . ATTACHING PARTS		01
13	MS27039C0808	. SCREW . . . . . —*—		04
14	6355015-7	. BUS BAR REFER TO NOTE 1 . . . . .	0840	0978 01 R
15	MS35206-231	. SCREW REFER TO NOTE 1 . . . . .	0840	0978 01 R
16	NAS1149DN616H	. WASHER REFER TO NOTE 1 . . . . .	0840	0978 04 R
17	MS35338-155	. WASHER-LOCK, SPRING REFER TO NOTE 1 . . . . .	0840	0978 02 R
18	MS35649-265T	. NUT REFER TO NOTE 1 . . . . .	0840	0978 02 R
19	5466S	. NIPPLE REFER TO NOTE 1 . . . . . V77969	0840	0978 01 R

NOTE 1—AIRPLANES -0840 THRU -0978 AND AIRPLANES -0800 THRU -0839 INCORPORATING SB525-26-02.

R

CESSNA®  
**MODEL 525 (SERIALS -0685 AND -0800 AND ON)**  
ILLUSTRATED PARTS CATALOG

A90361



6310T1168  
A6311T1220

FIRE EXTINGUISHER SYSTEM  
FIGURE 02 (SHEET 1)

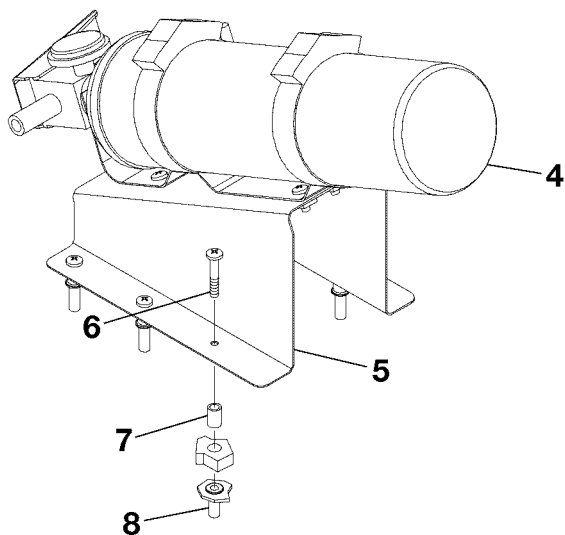
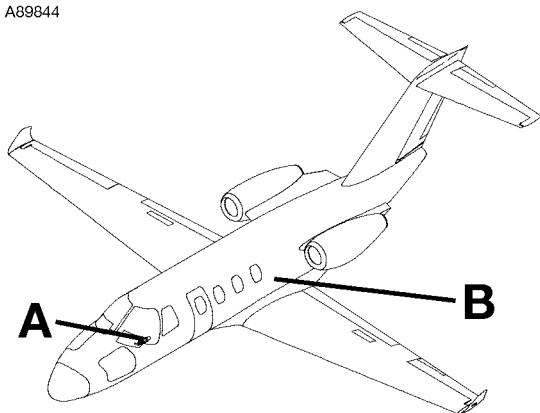
CESSNA®  
**MODEL 525 (SERIALS -0685 AND -0800 AND ON)**  
 ILLUSTRATED PARTS CATALOG

FIG ITEM	PART NUMBER	NOMENCLATURE	UNITS
			PER ASSY
02			
-		FIRE EXTINGUISHER SYSTEM	RF
1	6311407-1	. FIRE TRAY . . . . .	01
2	4711871-1	. FIRE TRAY ANGLE-INBD . . . . .	02
3	4711871-2	. FIRE TRAY ANGLE-OUTBD . . . . .	02
4	7311189-14	. DOUBLER . . . . .	03
5	9052001-5	. GROUNDING STRIP . . . . .	03
6	125-00276-00	. REAR MOUNT SOCKET . . . . . V0TRC3	08
7	MS21071L06	. NUTPLATE . . . . .	06
8	6311407-8	. GUSSET-INSTRUMENT PANEL . . . . .	02
9	MS21073L06	. NUTPLATE . . . . .	02
10	125-00062-04	. REAR MOUNT SOCKET . . . . . V0TRC3	04

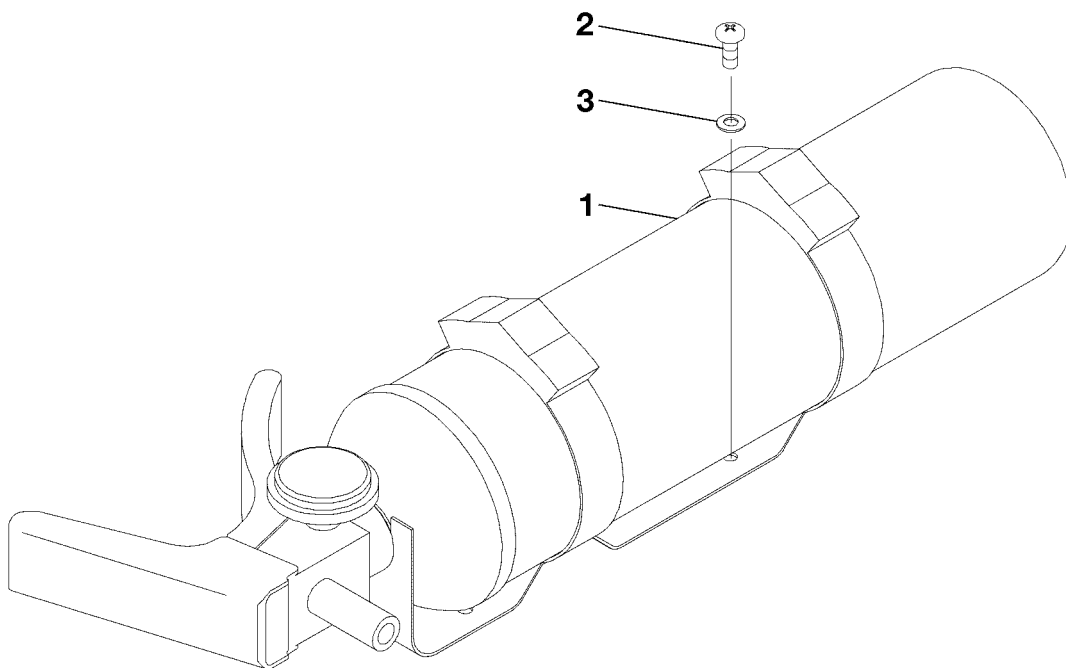
- ITEM NOT ILLUSTRATED

CESSNA®  
MODEL 525 (SERIALS -0685 AND -0800 AND ON)  
ILLUSTRATED PARTS CATALOG

A89844



**DETAIL B**



**DETAIL A**

FIRE EXTINGUISHER - PORTABLE  
FIGURE 01 (SHEET 1)

6310T1168  
A6314T1817  
B6319T062-1

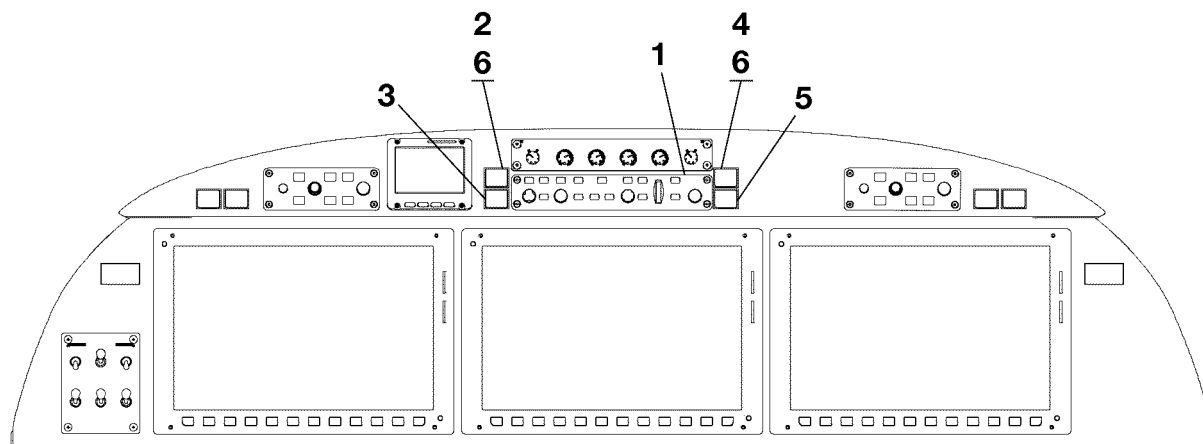
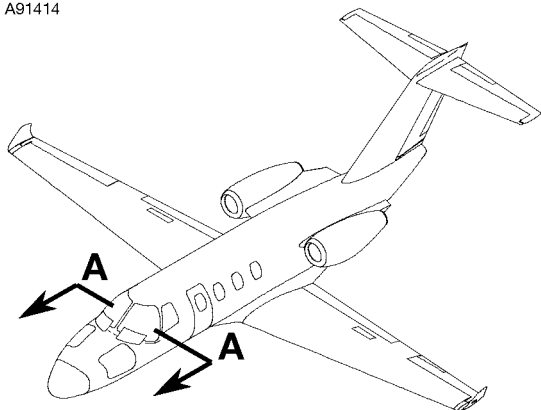
CESSNA®  
**MODEL 525 (SERIALS -0685 AND -0800 AND ON)**  
 ILLUSTRATED PARTS CATALOG

FIG ITEM	PART NUMBER	NOMENCLATURE	UNITS PER ASSY
	1 2 3 4 5 6 7		
01			
-		FIRE EXTINGUISHER - PORTABLE	RF
1	35031	. FIRE EXTINGUISHER . . . . . VKANS	01 R
- 1A	A352TS	. FIRE EXTINGUISHER ALT FOR 35031 . . . . . VKANS	01 R
		ATTACHING PARTS	
2	MS27039-1-14	. SCREW . . . . .	04 R
3	NAS1149D0332K	. WASHER . . . . .	04 R
		—*—	
4	A352GS	. FIRE EXTINGUISHER REFER TO NOTE 1 AND NOTE 2 . . . . . VKANS	01 R
5	6319563-3	. MOUNTING BRACKET ASSY REFER TO NOTE 1 AND NOTE 2 . . . . .	01 R
6	MS27039-1-17	. SCREW REFER TO NOTE 1 AND NOTE 2 . . . . .	06 R
7	NAS43DD3-53FC	. SPACER REFER TO NOTE 1 AND NOTE 2 . . . . .	06 R
8	NAS1329A3K80	. NUT REFER TO NOTE 1 AND NOTE 2 . . . . .	06 R
- 9	MS21059-3	. . NUTPLATE . . . . .	04 R
- 10	6319563-5	. . MOUNTING BRACKET . . . . .	01 R
		NOTE 1—USED ON CANADIAN CERTIFIED AIRPLANES -0858 AND ON.	R
		NOTE 2—USED ON AUSTRALIAN CERTIFIED AIRPLANES -0856 AND ON.	R

- ITEM NOT ILLUSTRATED

CESSNA®  
**MODEL 525 (SERIALS -0685 AND -0800 AND ON)**  
ILLUSTRATED PARTS CATALOG

A91414



**VIEW A-A**

**ENGINE FIRE SWITCHES  
FIGURE 01 (SHEET 1)**

6310T1168  
AA6319T1558



CESSNA®  
**MODEL 525 (SERIALS -0685 AND -0800 AND ON)**  
 ILLUSTRATED PARTS CATALOG

FIG ITEM	PART NUMBER	NOMENCLATURE	UNITS PER ASSY
01			
-		ENGINE FIRE SWITCHES	RF
1		. AUTOPILOT CONTROL-REFER TO 22-10-00 FIGURE 02 . . . . .	RF
2	27480-121	. SWITCH ASSY-L ENG FIRE SI131 . . . . . V81590	01
3	27480-123	. SWITCH ASSY-BOTTLE ARMED SI133 . . . . . V81590	01
4	27480-122	. SWITCH ASSY-R ENG FIRE SI132 . . . . . V81590	01
5	27480-123	. SWITCH ASSY-BOTTLE ARMED SI134 . . . . . V81590	01
6	000-130-100	. CAP . . . . . V81590	02

- ITEM NOT ILLUSTRATED



**CHAPTER**

**27**

**FLIGHT CONTROLS**



CESSNA®  
**MODEL 525 (SERIALS -0685 AND -0800 AND ON)**  
 ILLUSTRATED PARTS CATALOG

<b>CHAPTER SECTION SUBJECT</b>		<b>NUMBER OF PAGES</b>	<b>DATE</b>
27 - TITLE			
27 - LIST OF EFFECTIVE PAGES			
27 - RECORD OF TEMPORARY REVISIONS			
27 - TABLE OF CONTENTS			
27-10-00	Figure 01	4	Nov 1/2013
27-10-00	Figure 02	2	Nov 1/2013
27-10-00	Figure 03	2	Nov 1/2013
27-10-00	Figure 04	2	Nov 1/2013
27-10-01	Figure 01	2	Nov 1/2013
27-10-02	Figure 01	2	Jun 1/2016
27-10-02	Figure 02	2	Nov 1/2013
27-10-02	Figure 03	2	Nov 1/2013
27-20-00	Figure 01	2	Jun 1/2016
27-20-00	Figure 02	6	Nov 1/2013
27-20-01	Figure 01	6	Jun 1/2017
27-20-02	Figure 01	4	Nov 1/2013
27-20-02	Figure 02	2	Nov 1/2013
27-30-00	Figure 01	4	Jun 1/2016
27-30-00	Figure 02	2	Jun 1/2016
27-30-01	Figure 01	6	Jul 1/2014
27-30-02	Figure 01	6	Dec 1/2017
27-30-02	Figure 02	4	Nov 1/2013
27-31-00	Figure 01	2	Nov 1/2013
27-50-00	Figure 01	2	Nov 1/2013
27-50-00	Figure 02	4	Nov 1/2013
27-50-01	Figure 01	4	Jul 1/2014
27-60-00	Figure 01	2	Nov 1/2013
27-60-00	Figure 02	4	Jul 1/2014
27-70-00	Figure 01	6	Jun 1/2016







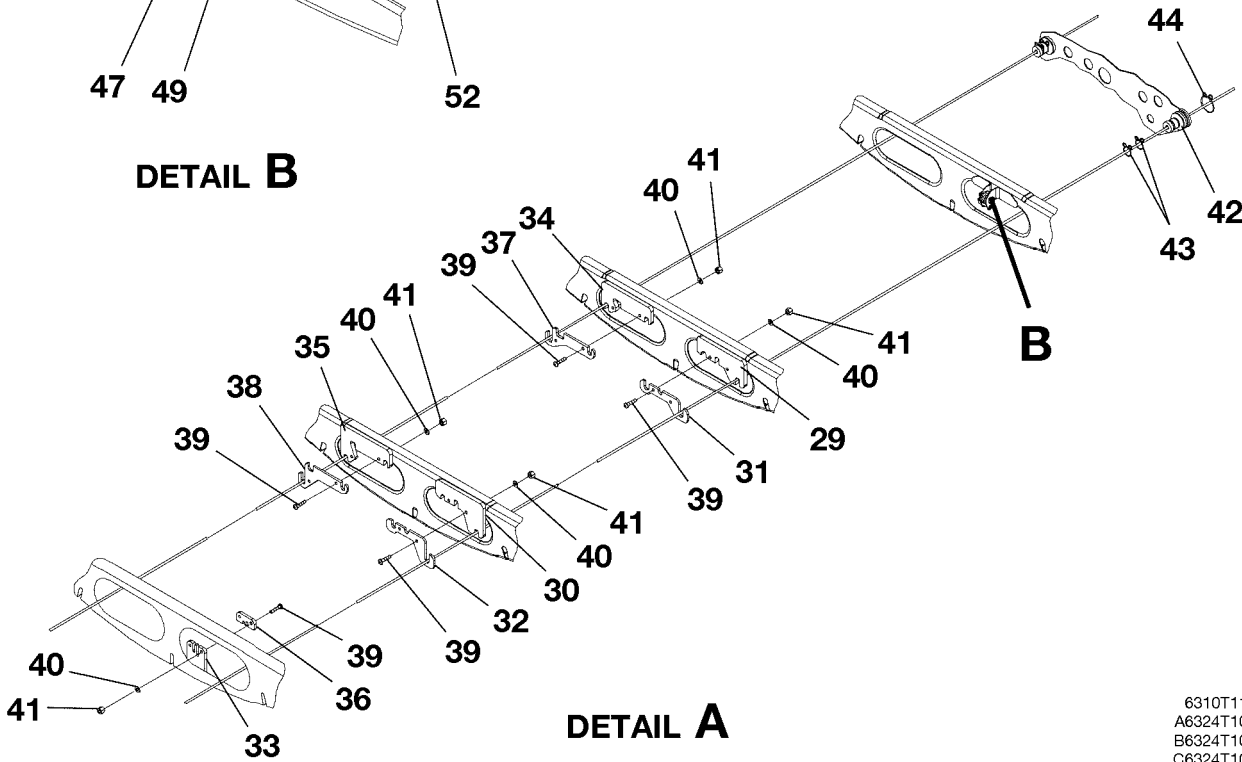
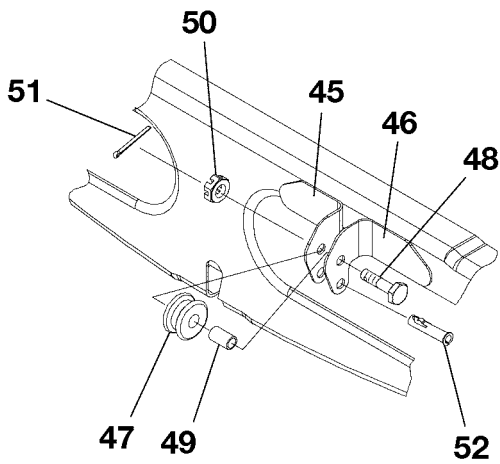
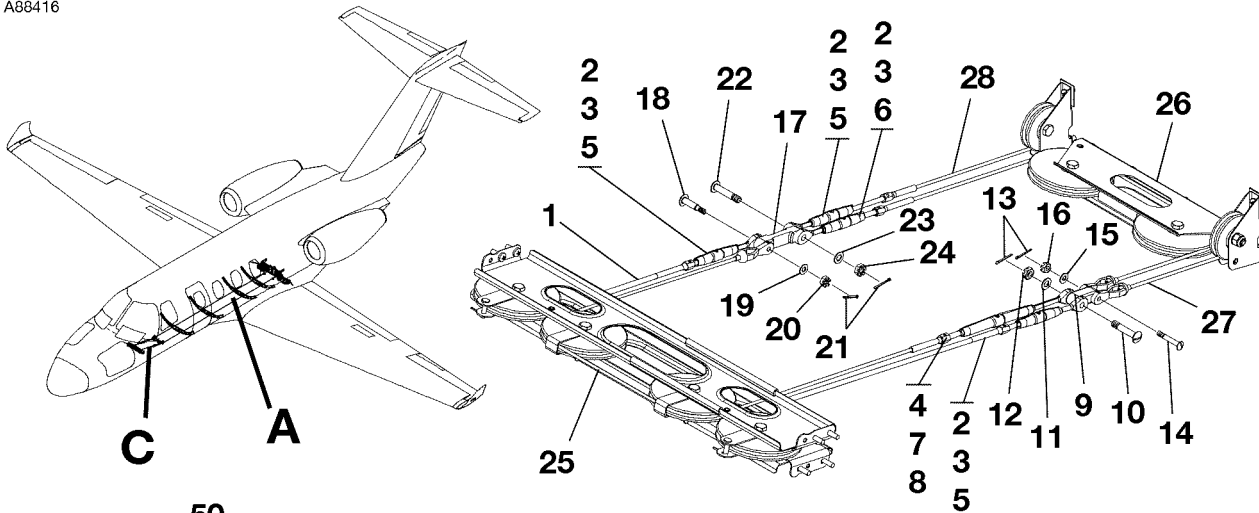


CESSNA®  
**MODEL 525 (SERIALS -0685 AND -0800 AND ON)**  
 ILLUSTRATED PARTS CATALOG

<u>SUBJECT</u>	<u>CHAPTER SECTION SUBJECT</u>	<u>FIGURE</u>	<u>EFFECTIVITY</u>	
			<u>START</u>	<u>END</u>
AILERON CONTROL SYSTEM - CABLES	27-10-00	01		
AILERON CONTROL SYSTEM - SECTOR ASSEMBLY	27-10-00	02		
AILERON PULLEYS AND BRACKETS - FUSELAGE	27-10-00	03		
AILERON PULLEYS AND BRACKETS - WING	27-10-00	04		
CONTROL WHEEL ASSEMBLY - PILOT AND COPILOT	27-10-01	01		
AILERON TRIM CONTROL SYSTEM	27-10-02	01		
DRIVE INSTALLATION - AILERON TRIM	27-10-02	02		
AILERON TRIM CONTROL SYSTEM - PULLEYS AND BRACKETS	27-10-02	03		
RUDDER CONTROL SYSTEM - CABLES	27-20-00	01		
RUDDER CONTROL SYSTEM - PULLEYS AND BRACKETS	27-20-00	02		
RUDDER PEDALS	27-20-01	01		
RUDDER TRIM CONTROL SYSTEM	27-20-02	01		
RUDDER TRIM WHEEL ASSEMBLY	27-20-02	02		
ELEVATOR CONTROL SYSTEM	27-30-00	01		
ELEVATOR CONTROL SYSTEM - SECTOR ASSEMBLY AND HORN	27-30-00	02		
CONTROL COLUMN ASSEMBLY	27-30-01	01		
ELEVATOR TRIM CONTROL SYSTEM - CABLES	27-30-02	01		
ELEVATOR TRIM CONTROL SYSTEM - PULLEYS AND BRACKETS	27-30-02	02		
STICK SHAKER SYSTEM	27-31-00	01		
FLAP CONTROL SYSTEM	27-50-00	01		
FLAP CONTROL SYSTEM INTERCONNECT	27-50-00	02		
FLAP HYDRAULIC SYSTEM	27-50-01	01		
SPEED BRAKE SYSTEM	27-60-00	01		
SPEED BRAKE SYSTEM - HYDRAULIC	27-60-00	02		
CONTROL LOCK SYSTEM	27-70-00	01		

CESSNA®  
**MODEL 525 (SERIALS -0685 AND -0800 AND ON)**  
 ILLUSTRATED PARTS CATALOG

A88416



**AILERON CONTROL SYSTEM - CABLES**  
 FIGURE 01 (SHEET 1)

6310T1168  
 A6324T1027  
 B6324T1027  
 C6324T1027

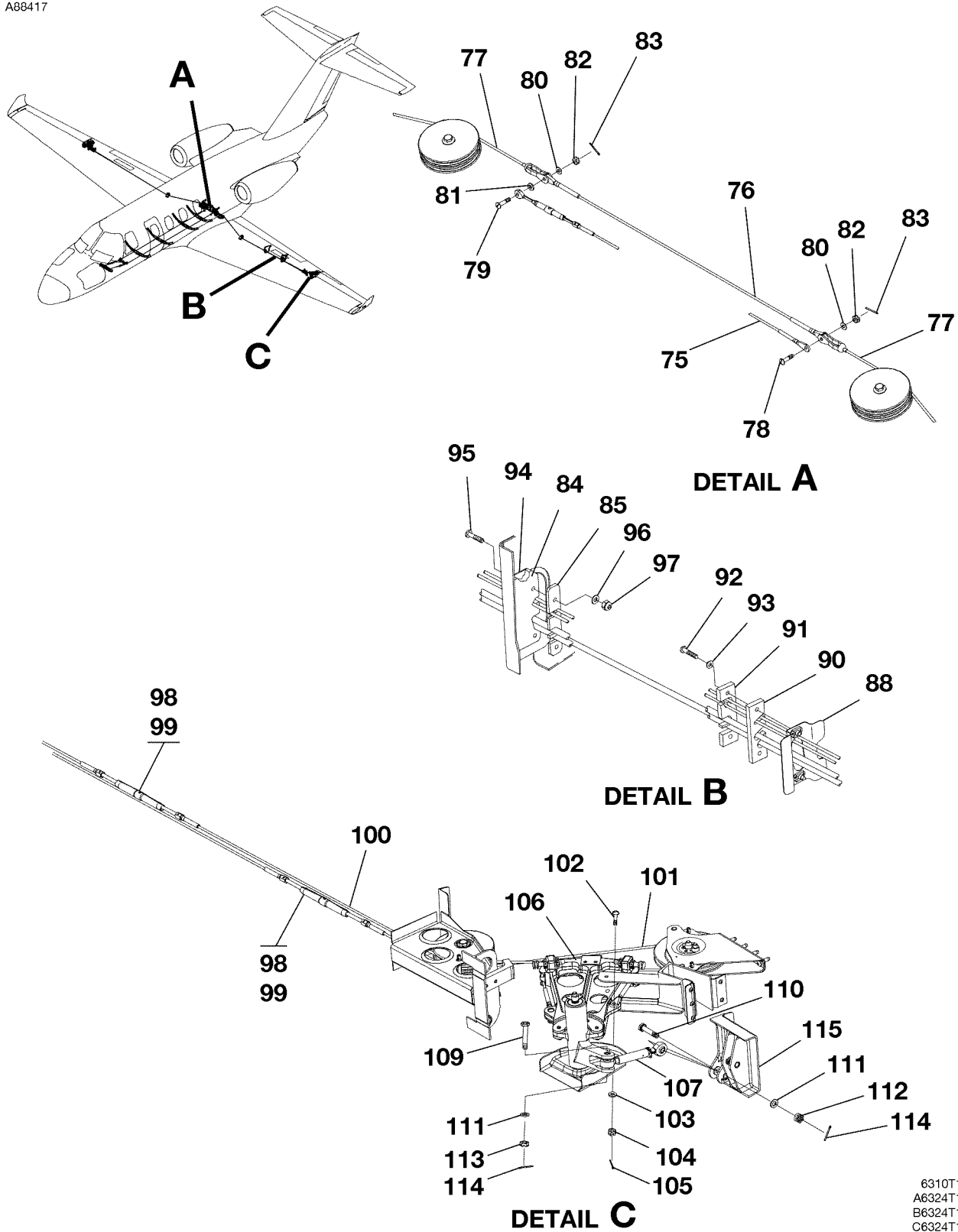
CESSNA®  
**MODEL 525 (SERIALS -0685 AND -0800 AND ON)**  
 ILLUSTRATED PARTS CATALOG

FIG ITEM	PART NUMBER	NOMENCLATURE	UNITS
			PER ASSY
01		AILERON CONTROL SYSTEM - CABLES	RF
-		. CONTROL COLUMN ASSY-REFER TO 27-30-01 FIGURE 01 . . . . .	RF
1		. TURNBUCKLE BODY . . . . .	04
2	MS21251-B5S	. CLIP . . . . .	08
3	MS21256-1	. CLIP . . . . .	02
4	MS21256-2	. EYE END TURNBUCKLE . . . . .	03
5	MS21254-5RS	. EYE END TURNBUCKLE . . . . .	01
6	MS21254-5LS	. TURNBUCKLE BODY-LH . . . . .	01
7	MS21251B5L	. EYE END TURNBUCKLE-LH . . . . .	01
8	MS21254-5LL	. LINK-LH . . . . .	01
9	6361507-3	. ATTACHING PARTS	
		. BOLT-FWD . . . . .	01
10	AN24-21	. WASHER-FWD . . . . .	01
11	NAS1149F0432P	. NUT-FWD . . . . .	01
12	MS17826-4	. COTTER PIN . . . . .	02
13	MS24665-134	. BOLT-AFT . . . . .	01
14	AN23-19	. WASHER-AFT . . . . .	01
15	NAS1149F0332P	. NUT-AFT . . . . .	01
16	MS17826-3	. LINK-RH . . . . .	01
17	6361507-4	. ATTACHING PARTS	
		. BOLT-FWD . . . . .	01
18	6360500-3	. WASHER-FWD . . . . .	01
19	NAS1149F0332P	. NUT-FWD . . . . .	01
20	MS17826-3	. COTTER PIN . . . . .	02
21	MS24665-134	. BOLT-AFT . . . . .	01
22	AN24-21	. WASHER-AFT . . . . .	01
23	NAS1149F0432P	. NUT-AFT . . . . .	01
24	MS17826-4	. CABLE ASSY . . . . .	01
25	6360001-99	. CABLE ASSY . . . . .	01
26	6565120-83	. CABLE ASSY-LH FWD . . . . .	01
27	6360001-97	. CABLE ASSY-RH FWD . . . . .	01
28	6360001-2	. FAIRLEAD-LH . . . . .	01
29	6360111-19	. FAIRLEAD-LH . . . . .	01
30	6360111-21	. RETAINER-LH . . . . .	01
31	6360111-20	. RETAINER-LH . . . . .	01
32	6360111-22	. FAIRLEAD-LH . . . . .	01
33	6361112-1	. FAIRLEAD-RH . . . . .	01
34	6360111-15	. FAIRLEAD-RH . . . . .	01
35	6360111-23	. RETAINER-LH . . . . .	01
36	6361112-3	. RETAINER-RH . . . . .	01
37	6360111-16	. RETAINER-RH . . . . .	01
38	6360111-24	. ATTACHING PARTS	
		. SCREW . . . . .	02
39	MS27039-0812	. WASHER . . . . .	02
40	NAS1149F0832P	. NUT . . . . .	02
41	MS21044N08	. SEAL . . . . . V60980	02
42	S11K-24R	. RING-FWD . . . . . V60980	04
43	S11L-161C	. RING-AFT . . . . . V60980	02
44	S11L-162C	. BRACKET . . . . .	01
45	6361110-32	. BRACKET . . . . .	01
46	6361110-31	. PULLEY . . . . .	01
47	S1710-1	. ATTACHING PARTS	
		. BOLT . . . . .	01
48	AN3-6	. BUSHING . . . . .	01
49	0411783	. NUT . . . . .	01
50	AN320-4	. COTTER PIN . . . . .	01
51	MS24665-134	. PIN . . . . .	01
52	NAS427K9	. —*—	

- ITEM NOT ILLUSTRATED

CESSNA®  
**MODEL 525 (SERIALS -0685 AND -0800 AND ON)**  
 ILLUSTRATED PARTS CATALOG

A88417



**AILERON CONTROL SYSTEM - CABLES**  
 FIGURE 01 (SHEET 2)

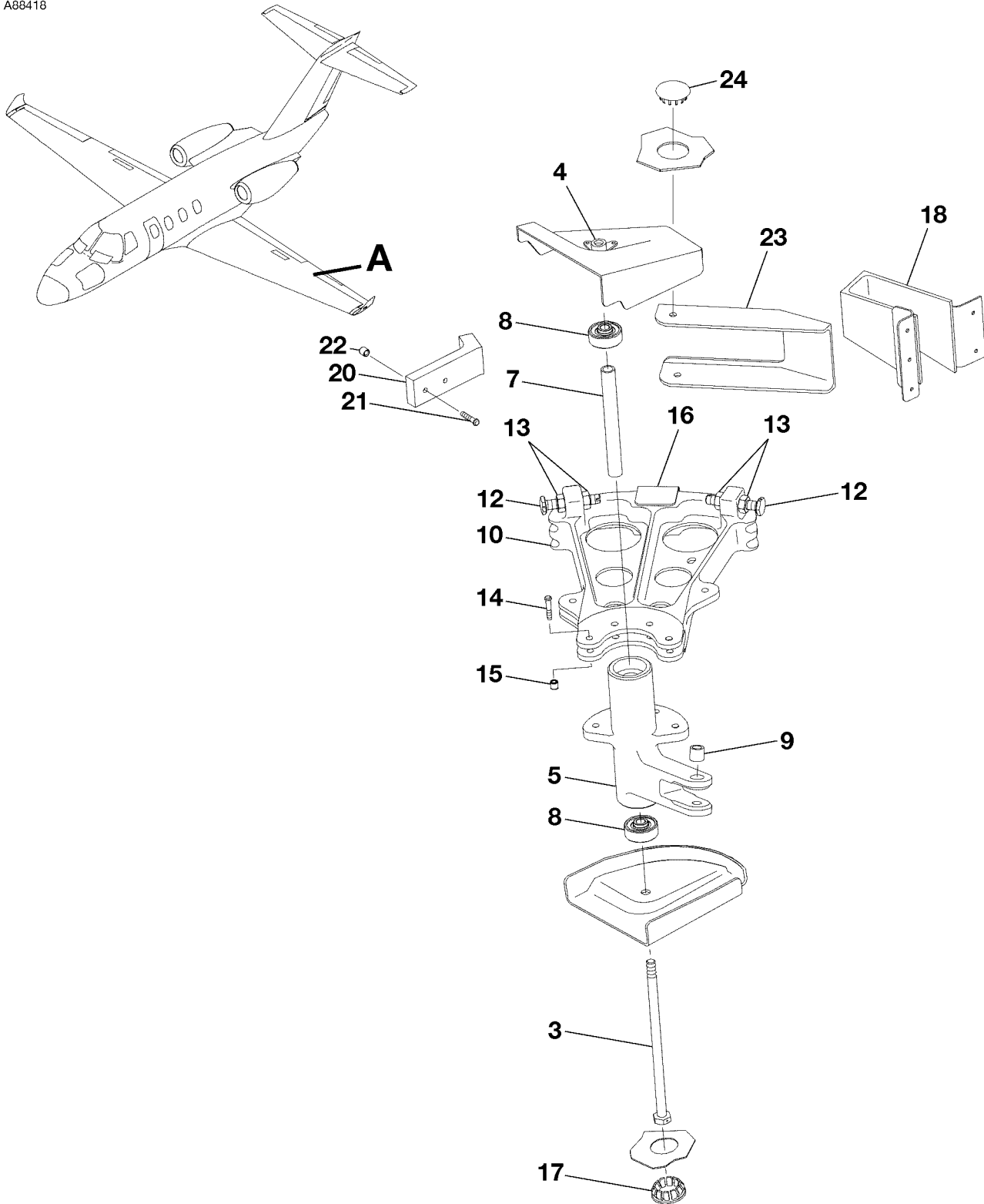
6310T1168  
 A6324T1027  
 B6324T1027  
 C6324T1027

CESSNA®  
**MODEL 525 (SERIALS -0685 AND -0800 AND ON)**  
 ILLUSTRATED PARTS CATALOG

FIG ITEM	PART NUMBER	NOMENCLATURE	UNITS		
			PER	ASSY	
01					
75		. CABLE ASSY-AILERON SERVO REFER TO 22-10-00 FIGURE 01 . . . . .			RF
76	6360001-110	. CABLE ASSY-AILERON CTR CONNECTOR . . . . .			01
77	6360001-5	. CABLE ASSY-AILERON INTERCONNECT . . . . .			02
		ATTACHING PARTS			
78	AN23-13	. BOLT-LH . . . . .			01
79	AN23-14	. BOLT-RH . . . . .			01
80	NAS1149F0332P	. WASHER . . . . .			01
81	NAS1149F0363P	. WASHER-RH . . . . .			01
82	MS17826-3	. NUT . . . . .			01
83	MS24665-134	. COTTER PIN . . . . .			01
		—*—			
84	6361526-3	. FAIRLEAD-LH FSO 6361526-15 . . . . .	0800	0838	NP
- 84A	6361526-15	. FAIRLEAD-LH . . . . .	0839	& ON	01
85	6361526-5	. RETAINER-LH FSO 6361526-17 . . . . .	0800	0838	NP
- 85A	6361526-17	. RETAINER-LH . . . . .	0839	& ON	01
- 86	6361526-4	. FAIRLEAD-RH FSO 6361526-14 . . . . .	0800	0838	NP
- 86A	6361526-14	. FAIRLEAD-RH . . . . .	0839	& ON	01
- 87	6361526-6	. RETAINER-RH FSO 6361526-16 . . . . .	0800	0838	NP
- 87A	6361526-16	. RETAINER-RH . . . . .	0839	& ON	01
88	6361111-45	. BRACKET ASSY-LH FSO 6361111-55 . . . . .	0800	0838	NP
- 88A	6361111-55	. BRACKET ASSY-LH . . . . .	0839	& ON	01
- 89	6361111-46	. BRACKET ASSY-RH FSO 6361111-54 . . . . .	0800	0838	NP
- 89A	6361111-54	. BRACKET ASSY-RH . . . . .	0839	& ON	01
90	6361111-44	. FAIRLEAD . . . . .			02
91	6361111-49	. RETAINER . . . . .			02
		ATTACHING PARTS			
92	MS27039-0814	. SCREW . . . . .			02
93	NAS1149FN832P	. WASHER . . . . .			02
		—*—			
94	6361526-11	. DOUBLER . . . . .			02
		ATTACHING PARTS			
95	MS27039-0812	. SCREW . . . . .			02
96	NAS1149FN832P	. WASHER . . . . .			02
97	MS21044N08	. NUT . . . . .			02
		—*—			
98	MS21251B5L	. TURNBUCKLE BODY . . . . .			04
99	MS21256-2	. CLIP . . . . .			08
100	6360001-71	. CABLE ASSY-AILERON OUTBD UPR . . . . .			02
101	6360001-70	. CABLE ASSY-AILERON OUTBD LWR . . . . .			02
		ATTACHING PARTS			
102	AN23-12	. BOLT . . . . .			01
103	NAS1149F0363P	. WASHER . . . . .			01
104	MS17825-3	. NUT . . . . .			01
105	MS24665-134	. COTTER PIN . . . . .			01
		—*—			
106		. AILERON CONTROL SYSTEM-SECTOR ASSY REFER TO 27-10-00 FIGURE 02 . . . . .			RF
107	6361537-3	. ROD ASSY-LH . . . . .			01
- 108	6361537-4	. ROD ASSY-RH . . . . .			01
		ATTACHING PARTS			
109	NAS6204-17D	. BOLT . . . . .			01
110	NAS6204-15D	. BOLT . . . . .			01
111	NAS1149F0463P	. WASHER . . . . .			02
112	MS17825-4	. NUT . . . . .			01
113	MS17826-4	. NUT . . . . .			01
114	MS24665-134	. COTTER PIN . . . . .			02
		—*—			
115		. AILERON ASSY-REFER TO 57-60-00 FIGURE 01 . . . . .			RF

CESSNA®  
MODEL 525 (SERIALS -0685 AND -0800 AND ON)  
ILLUSTRATED PARTS CATALOG

A88418



**DETAIL A**

AILERON CONTROL SYSTEM - SECTOR ASSEMBLY  
FIGURE 02 (SHEET 1)

6310T1168  
A6361T1073

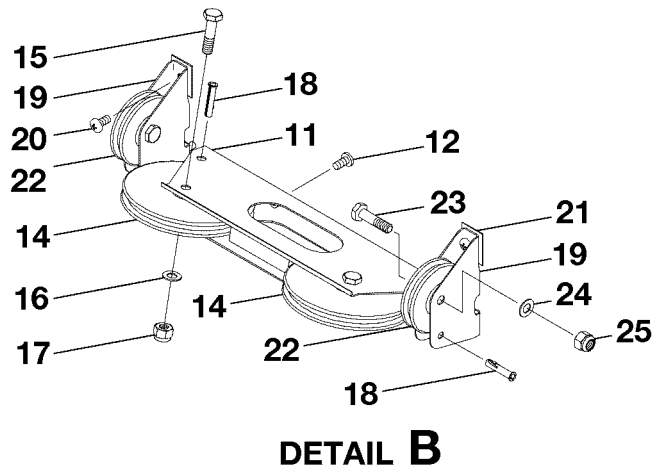
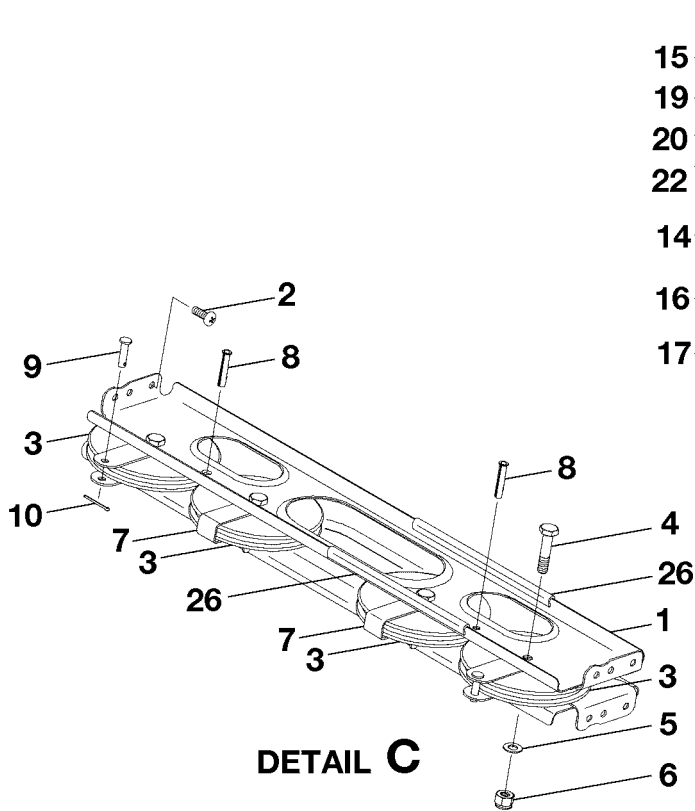
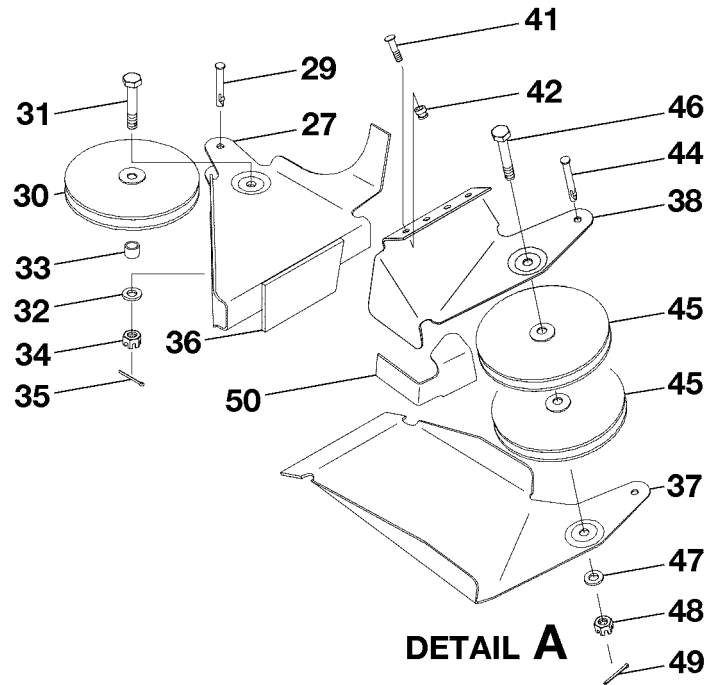
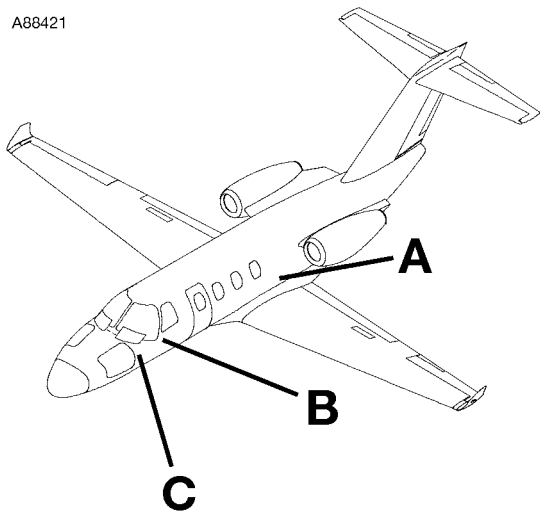
CESSNA®  
**MODEL 525 (SERIALS -0685 AND -0800 AND ON)**  
 ILLUSTRATED PARTS CATALOG

FIG ITEM	PART NUMBER	NOMENCLATURE	UNITS
			PER ASSY
02		AILERON CONTROL SYSTEM - SECTOR ASSEMBLY	RF
- 1	6361531-9	. SECTOR ASSY-LH AILERON . . . . .	01
- 2	6361531-10	. SECTOR ASSY-RH AILERON . . . . .	01
		ATTACHING PARTS	
3	AN174H47A	. BOLT . . . . .	01
4	MS21055L4	. NUTPLATE . . . . .	01
		—*—	
5	6361531-3	. . SHAFT-LH . . . . .	01
- 6	6361531-4	. . SHAFT-RH . . . . .	01
7	NAS43HT4-213	. . SPACER . . . . .	01
8	S3951-4	. . BEARING . . . . .	02
9	NAS76A4-011	. . BUSHING . . . . .	01
10	6361531-7	. . SHEAVE-LH . . . . .	01
- 11	6361531-8	. . SHEAVE-RH . . . . .	01
		ATTACHING PARTS	
12	NAS428H4-14	. . BOLT . . . . .	02
13	NAS509-4	. . NUT . . . . .	04
14	NAS7034-09	. . PIN . . . . .	04
15	NAS1080K04	. . COLLAR . . . . .	04
		—*—	
16	6361530-13	. . CABLE GUARD ASSY . . . . .	01
17	CM2692-24J2S	. . PLUG BUTTON . . . . .	02
18	6361530-5	. . STOP ASSY-LH OUTBD . . . . .	01
- 19	6361530-16	. . STOP ASSY-RH OUTBD . . . . .	01
20	6361530-3	. . STOP ASSY-INBD . . . . .	02
		ATTACHING PARTS	
21	NAS7034H08	. . PIN . . . . .	02
22	NAS1080K04	. . COLLAR . . . . .	02
		—*—	
23	6361536-3	. . RIG PIN BRACKET . . . . .	02
24	CM2692-24J1S	. . PLUG BUTTON . . . . .	02

- ITEM NOT ILLUSTRATED

CESSNA®  
**MODEL 525 (SERIALS -0685 AND -0800 AND ON)**  
 ILLUSTRATED PARTS CATALOG

A88421



**DETAIL C**

**DETAIL B**

**AILERON PULLEYS AND BRACKETS - FUSELAGE**  
 FIGURE 03 (SHEET 1)

6310T1168  
 A6361T1071  
 B6361T1072  
 C6361T1072



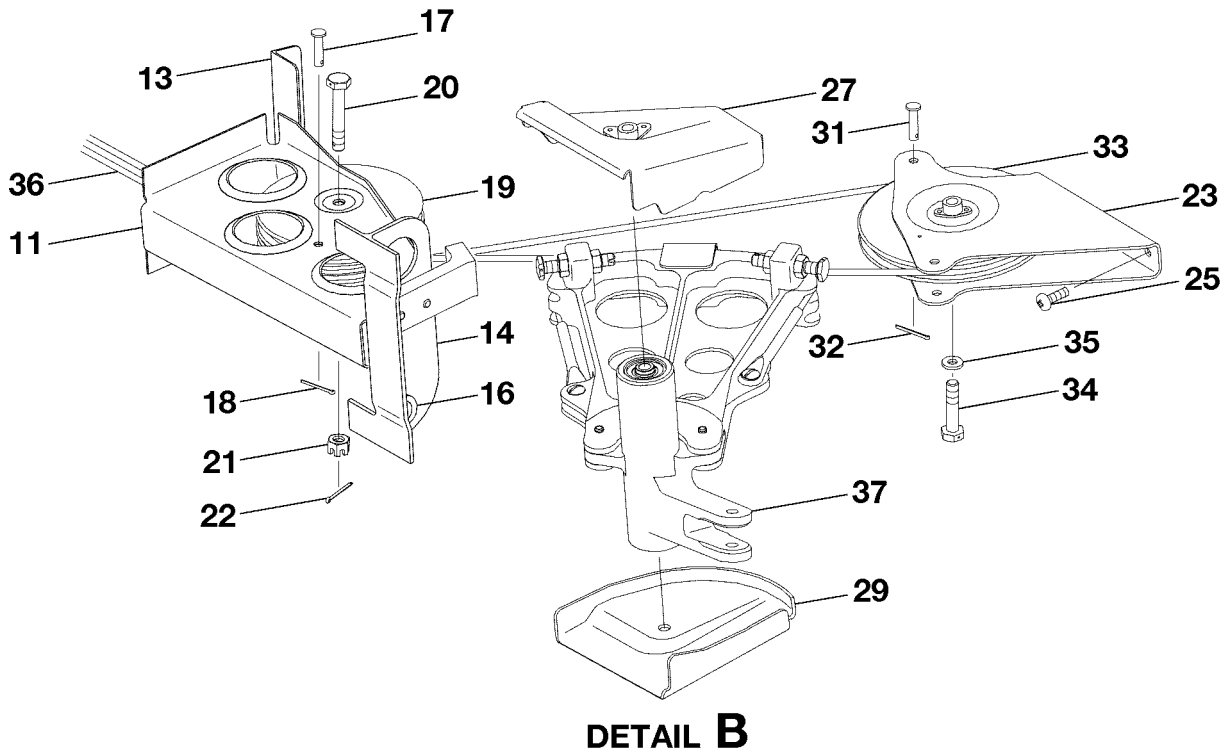
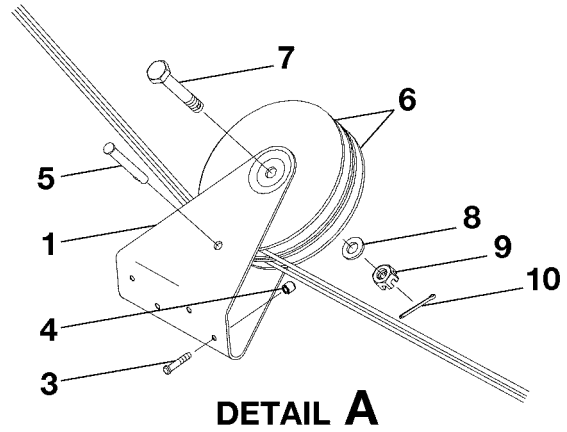
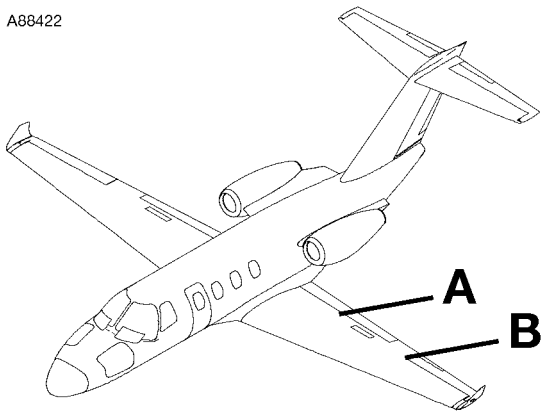
CESSNA®  
**MODEL 525 (SERIALS -0685 AND -0800 AND ON)**  
 ILLUSTRATED PARTS CATALOG

FIG ITEM	PART NUMBER	NOMENCLATURE	UNITS
			PER ASSY
		1 2 3 4 5 6 7	
03		AILERON PULLEYS AND BRACKETS - FUSELAGE	RF
- 1	6361008-16	. BRACKET ASSY . . . . .	02
		ATTACHING PARTS	
2	MS27039-1-08	. SCREW . . . . .	04
		—*—	
3	S3504-3	. PULLEY . . . . .	04
		ATTACHING PARTS	
4	AN4-11A	. BOLT . . . . .	01
5	NAS1149F0432P	. WASHER . . . . .	01
6	MS21044N4	. NUT . . . . .	01
		—*—	
7	6361008-18	. CABLE GUARD . . . . .	02
8	NAS427K11	. PIN . . . . .	02
9	MS20392-2C19	. PIN . . . . .	02
10	MS24665-134	. COTTER PIN . . . . .	02
11	6361522-6	. BRACKET ASSY-PULLEY . . . . .	01
		ATTACHING PARTS	
12	MS27039-1-06	. SCREW . . . . .	04
		—*—	
- 13	MS21069L3	. . NUTPLATE . . . . .	04
14	S3504-3	. PULLEY . . . . .	02
		ATTACHING PARTS	
15	AN4-10A	. BOLT . . . . .	01
16	NAS1149F0432P	. WASHER . . . . .	01
17	MS21044N4	. NUT . . . . .	01
		—*—	
18	NAS427K10	. PIN-CABLE GUARD . . . . .	04
19	6565390-13	. BRACKET-PULLEY . . . . .	02
		ATTACHING PARTS	
20	MS27039-1-06	. SCREW . . . . .	02
		—*—	
21	6361522-4	. SHIM . . . . .	02
22	S3504-1	. PULLEY . . . . .	02
		ATTACHING PARTS	
23	AN4-10A	. BOLT . . . . .	01
24	NAS1149F0432P	. WASHER . . . . .	01
25	MS21044N4	. NUT . . . . .	01
		—*—	
26	S3743-1	. TRIM . . . . .	AR
27	6361524-7	. PULLEY BRACKET LH . . . . .	01
28	6361524-8	. PULLEY BRACKET RH . . . . .	01
- 29	NAS427K15	. PIN-CABLE GUARD . . . . .	02
30	S378-4	. PULLEY . . . . .	02
		ATTACHING PARTS	
31	AN4-13	. BOLT . . . . .	01
32	NAS1149F0463P	. WASHER . . . . .	01
33	NAS43HT4-18	. SPACER . . . . .	01
34	MS17825-4	. NUT . . . . .	01
35	MS24665-134	. COTTER PIN . . . . .	01
		—*—	
36	6361524-33	. FILLER . . . . .	02
37	6361524-27	. BRACKET HALF-LH . . . . .	01
38	6361524-29	. BRACKET HALF-LH . . . . .	01
- 39	6361524-28	. BRACKET HALF-RH . . . . .	01
- 40	6361524-30	. BRACKET HALF-RH . . . . .	01
		ATTACHING PARTS	
41	HL10VBJ5-3	. PIN-HI-LOK . . . . . V73197	04
42	HL70-5	. COLLAR-HI-LOK . . . . . V73197	04
- 43	S3191-08	. NUT-ALT FOR HL70-5 . . . . .	04
		—*—	
44	NAS427K18	. PIN-CABLE GUARD . . . . .	02
45	S378-4	. PULLEY . . . . .	04
		ATTACHING PARTS	
46	AN4-14	. BOLT . . . . .	01
47	NAS1149F0463P	. WASHER . . . . .	01
48	MS17825-4	. NUT . . . . .	01
49	MS24665-134	. COTTER PIN . . . . .	01
		—*—	
50	6361524-31	. CLIP-LH . . . . .	01
- 51	6361524-32	. CLIP-RH . . . . .	01

- ITEM NOT ILLUSTRATED

CESSNA®  
**MODEL 525 (SERIALS -0685 AND -0800 AND ON)**  
 ILLUSTRATED PARTS CATALOG

A88422



AILERON PULLEYS AND BRACKETS - WING  
 FIGURE 04 (SHEET 1)

6310T1168  
 A6361T1074  
 B6361T1075

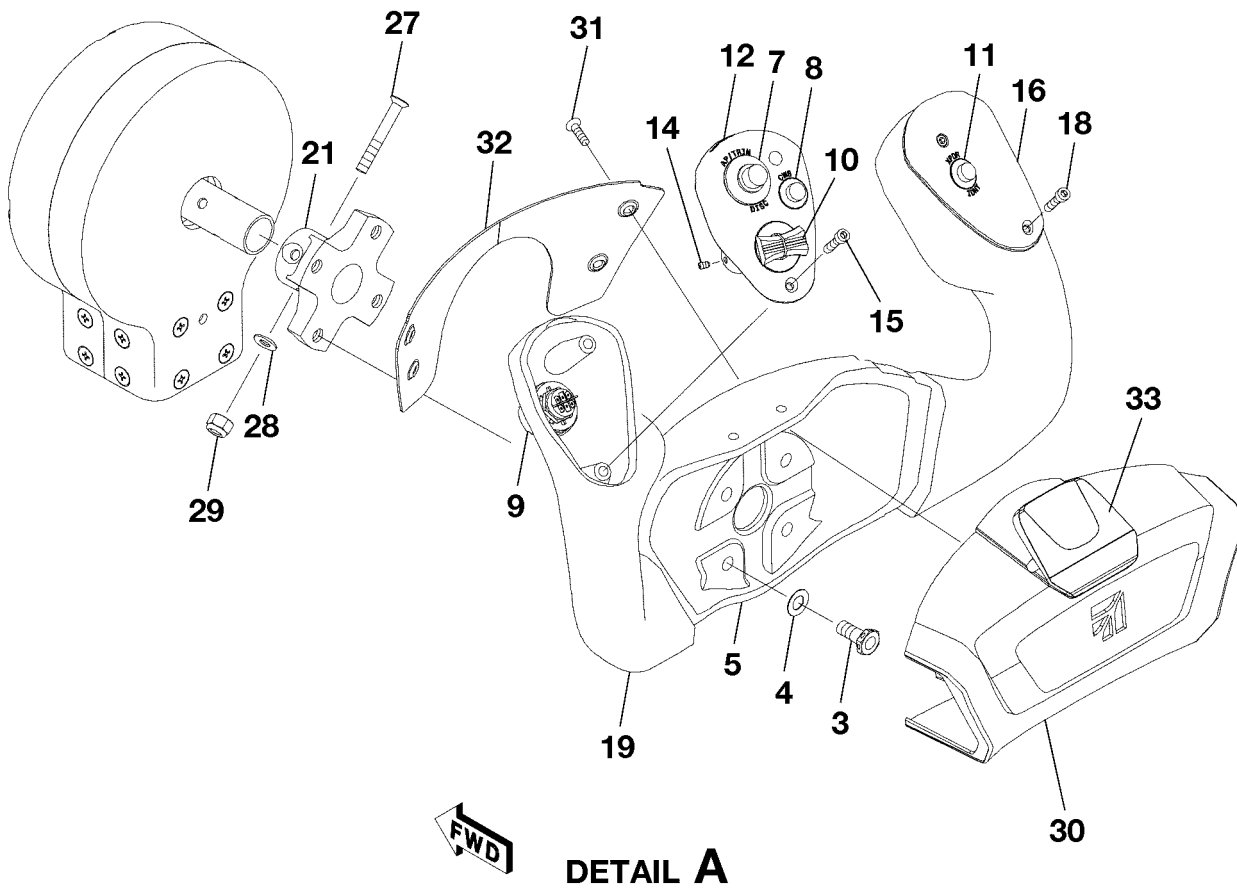
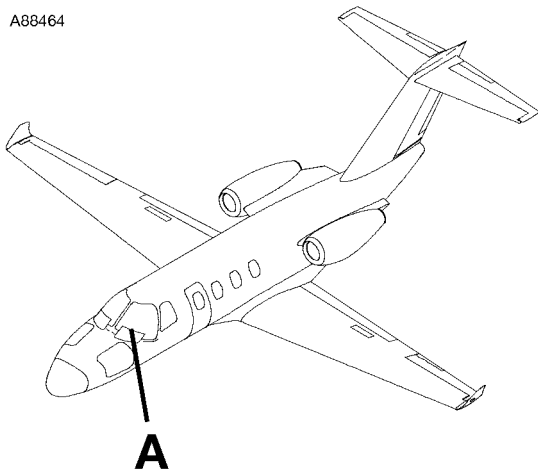
CESSNA®  
**MODEL 525 (SERIALS -0685 AND -0800 AND ON)**  
 ILLUSTRATED PARTS CATALOG

FIG ITEM	PART NUMBER	NOMENCLATURE	UNITS
			PER ASSY
04			
-		AILERON PULLEYS AND BRACKETS - WING	RF
1	6361524-39	. PULLEY BRACKET-LH . . . . .	01
- 2	6361524-38	. PULLEY BRACKET-RH . . . . .	01
		ATTACHING PARTS	
3	NAS7035H06	. PIN . . . . .	04
4	NAS1080AG05	. COLLAR . . . . .	04
		—*—	
5	NAS427K18	. PIN-CABLE GUARD . . . . .	02
6	S378-4	. PULLEY . . . . .	04
		ATTACHING PARTS	
7	AN4-14	. BOLT . . . . .	01
8	NAS1149F0463P	. WASHER . . . . .	01
9	MS17825-4	. NUT . . . . .	01
10	MS24665-134	. COTTER PIN . . . . .	01
		—*—	
11	6361533-3	. BRACKET-LH . . . . .	01
- 12	6361533-4	. BRACKET-RH . . . . .	01
13	6361533-7	. STIFFENER . . . . .	02
14	6361533-5	. TEE SUPPORT-LH . . . . .	01
- 15	6361533-6	. TEE SUPPORT-RH . . . . .	01
16	NAS557-8C	. GROMMET . . . . .	02
17	MS20392-2C37	. PIN-CABLE GUARD . . . . .	02
18	MS24665-132	. COTTER PIN-CABLE GUARD . . . . .	02
19	S3504-3	. PULLEY . . . . .	04
		ATTACHING PARTS	
20	AN4-14	. BOLT . . . . .	01
21	MS17825-4	. NUT . . . . .	01
22	MS24665-134	. COTTER PIN . . . . .	01
		—*—	
23	6361525-13	. BRACKET ASSY-LH AFT . . . . .	01
- 24	6361525-14	. BRACKET ASSY-RH AFT . . . . .	01
		ATTACHING PARTS	
25	MS27039-1-10	. SCREW . . . . .	04
		—*—	
- 26	MS21070-4	. NUTPLATE . . . . .	01
27	6361532-27	. BRACKET ASSY-LH UPR . . . . .	01
- 28	6361532-28	. BRACKET ASSY-RH UPR . . . . .	01
29	6361532-29	. BRACKET ASSY-LH LWR . . . . .	01
- 30	6361532-30	. BRACKET ASSY-RH LWR . . . . .	01
31	MS20392-2C27	. PIN-CABLE GUARD . . . . .	04
32	MS24665-132	. COTTER PIN-CABLE GUARD . . . . .	04
33	S3504-4	. PULLEY . . . . .	02
		ATTACHING PARTS	
34	AN4H11A	. BOLT . . . . .	01
35	NAS1149F0463P	. WASHER . . . . .	01
		—*—	
36		. AILERON CONTROL SYSTEM-AILERON CABLES REFER TO 27-10-00 FIGURE 01 . . . . .	RF
37		. AILERON CONTROL SYSTEM-SECTOR ASSY REFER TO 27-10-00 FIGURE 02 . . . . .	RF

- ITEM NOT ILLUSTRATED

CESSNA®  
MODEL 525 (SERIALS -0685 AND -0800 AND ON)  
ILLUSTRATED PARTS CATALOG

A88464



**DETAIL A**

CONTROL WHEEL ASSEMBLY - PILOT AND COPILOT  
FIGURE 01 (SHEET 1)

6310T1168  
A6360T1040

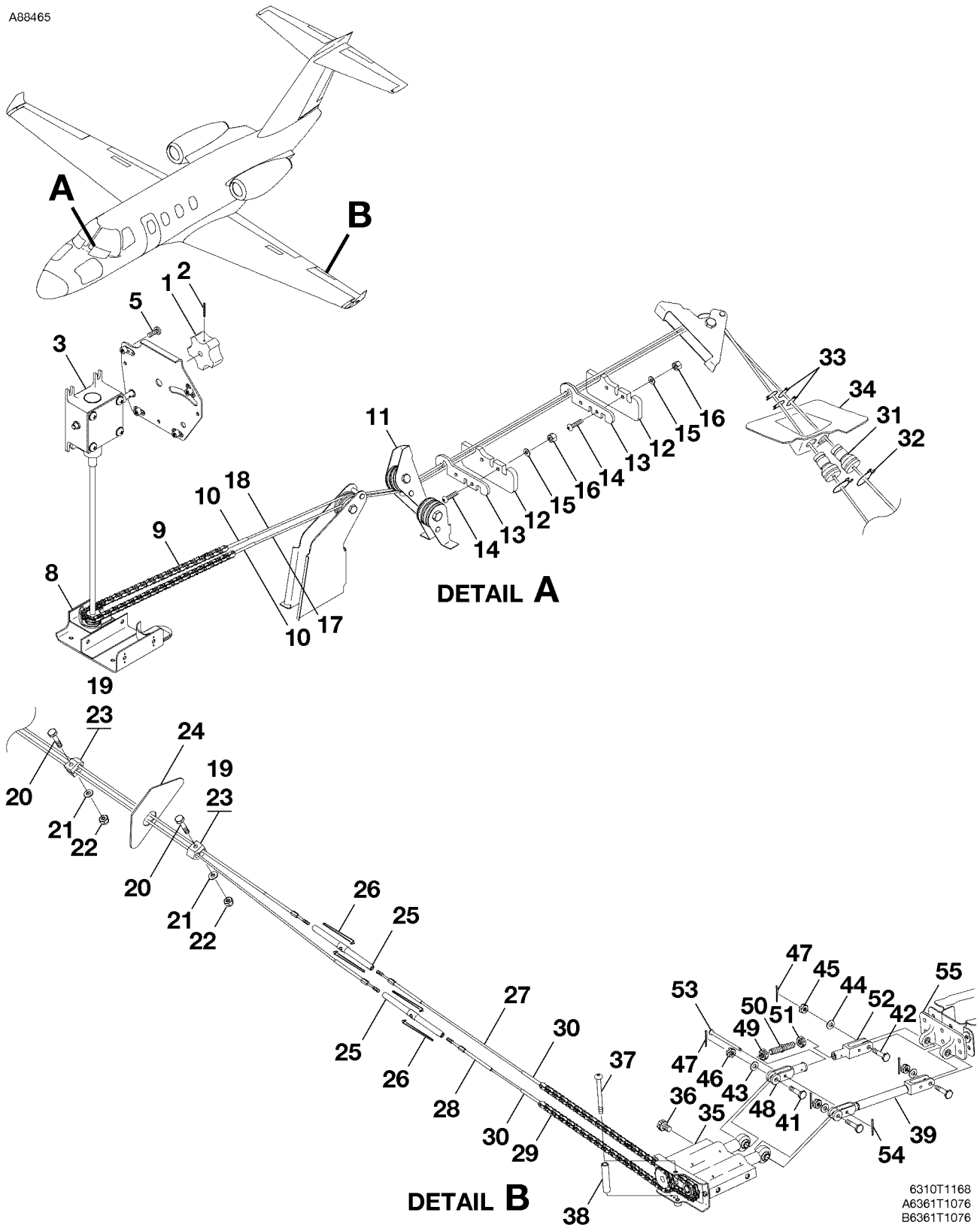
CESSNA®  
**MODEL 525 (SERIALS -0685 AND -0800 AND ON)**  
 ILLUSTRATED PARTS CATALOG

FIG ITEM	PART NUMBER	NOMENCLATURE	UNITS
			PER ASSY
		1 2 3 4 5 6 7	
01		CONTROL WHEEL ASSEMBLY - PILOT AND COPILOT	RF
- 1	6360115-1	. CONTROL WHEEL ASSY-LH PILOT . . . . .	01
- 2	6360115-2	. CONTROL WHEEL ASSY-RH COPILOT . . . . .	01
		ATTACHING PARTS	
3	NAS6204-4H	. BOLT . . . . .	04
4	NAS1149F0416P	. WASHER . . . . .	04
		—*—	
5	9112188-2	. . CONTROL WHEEL-LH PILOT . . . . .	01
- 6	9112189-2	. . CONTROL WHEEL-RH COPILOT . . . . .	01
7	9914291-2	. . SWITCH-AUTOPILOT TRIM DISCONNECT . . . . .	01
8	913X	. . SWITCH-AUTOPILOT TRIM CONTROL . . . . . V82389	01
9	S3861-1	. . SWITCH-INTERPHONE MIC . . . . .	01
10	309-4318	. . SWITCH ROCKER-ELEVATOR TRIM . . . . . V81579	01
11	913X	. . SWITCH-TRANSPONDER IDENT . . . . . V82389	01
12	6360115-3	. . WHEEL CAP-PILOT OUTBD . . . . .	01
- 13	6360115-4	. . WHEEL CAP-COPILOT OUTBD . . . . .	01
		ATTACHING PARTS	
14	AN565D4H3	. . SET SCREW . . . . .	02
15	NAS1352-06-10	. . SCREW . . . . .	02
		—*—	
16	6960106-11	. . WHEEL CAP-PILOT INBD . . . . .	01
- 17	6960106-12	. . WHEEL CAP-COPILOT INBD . . . . .	01
		ATTACHING PARTS	
18	NAS1352-06-10	. . SCREW . . . . .	02
		—*—	
19	6960106-5	. . CONTROL WHEEL ASSY-PILOT LEATHER . . . . .	01
- 20	6960106-6	. . CONTROL WHEEL ASSY-COPILOT LEATHER . . . . .	01
21	6360115-5	. WHEEL ADAPTER . . . . .	02
- 21A	6360115-6	. WHEEL ADAPTER . . . . .	AR
- 22	6360115-7	. WHEEL ADAPTER . . . . .	AR
- 23	6360115-8	. WHEEL ADAPTER . . . . .	AR
- 24	6360115-9	. WHEEL ADAPTER . . . . .	AR
- 25	6360115-10	. WHEEL ADAPTER . . . . .	AR
- 26	6360115-11	. WHEEL ADAPTER . . . . .	AR
		ATTACHING PARTS	
27	NAS333CPA13	. BOLT . . . . .	02
28	NAS1149F0332P	. WASHER . . . . .	02
29	MS21044N3	. NUT . . . . .	02
		—*—	
30	9919142-5	. CONTROL WHEEL COVER ASSY . . . . .	01
		ATTACHING PARTS	
31	MS24693-S28	. SCREW . . . . .	04
32	6960106-13	. RETAINER . . . . .	01
		—*—	
33	9919142-2	. . CLIP ASSY . . . . .	01

- ITEM NOT ILLUSTRATED

CESSNA®  
**MODEL 525 (SERIALS -0685 AND -0800 AND ON)**  
 ILLUSTRATED PARTS CATALOG

A88465



**AILERON TRIM CONTROL SYSTEM**  
 FIGURE 01 (SHEET 1)

6310T1168  
 A6361T1076  
 B6361T1076

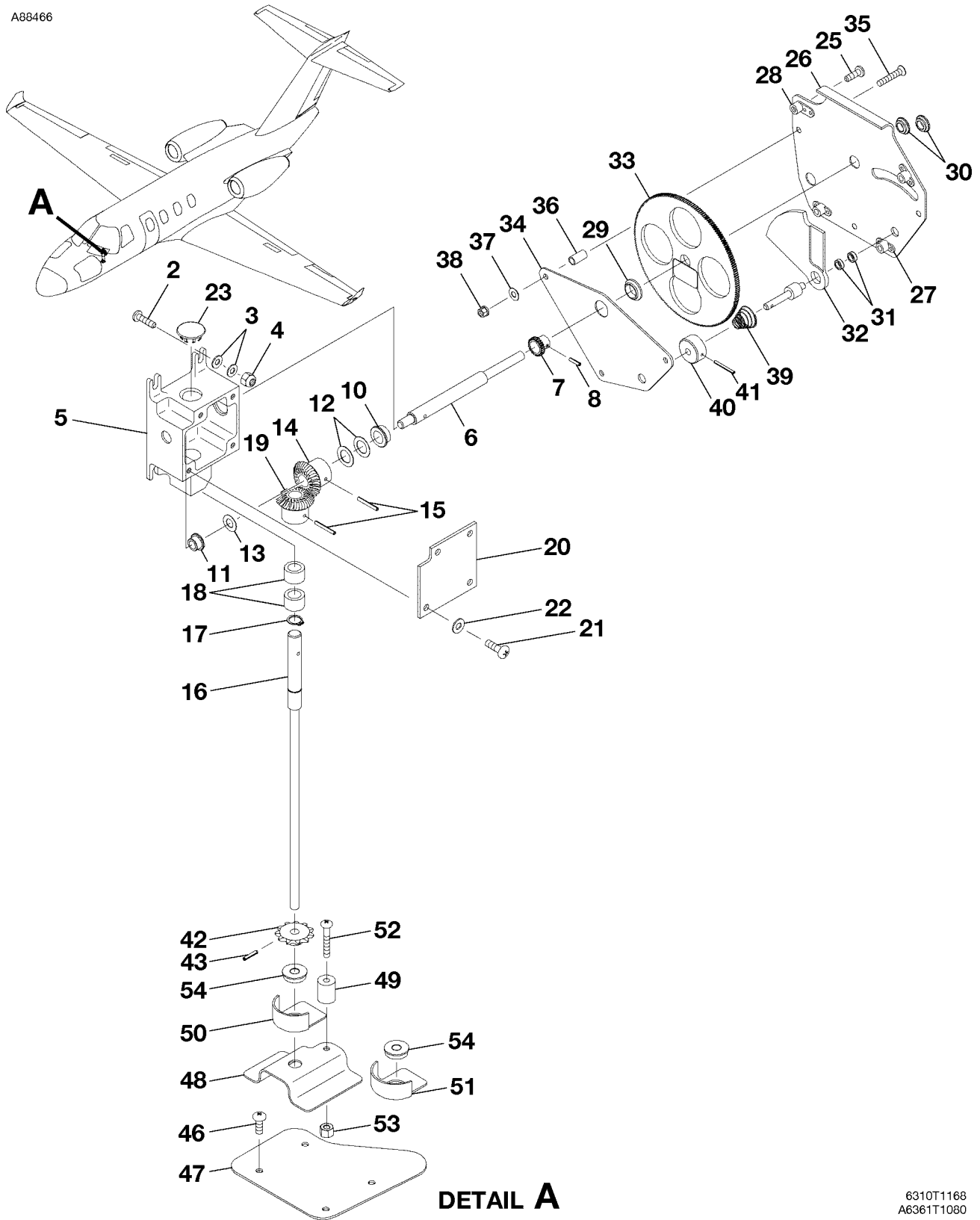
CESSNA®  
**MODEL 525 (SERIALS -0685 AND -0800 AND ON)**  
 ILLUSTRATED PARTS CATALOG

FIG ITEM	PART NUMBER	NOMENCLATURE	UNITS	
			PER	ASSY
01		AILERON TRIM CONTROL SYSTEM		RF
- 1	6361816-12	. KNOB . . . . .		01
		. ATTACHING PARTS		
2	MS16562-29	. PIN-ROLL . . . . .		01
		. *—		
3		. DRIVE ASSY-AILERON TRIM REFER TO 27-10-02 FIGURE 02 . . . . .		RF
- 4		. DELETED-NOT USED . . . . .		
5	MS27039-0808	. SCREW . . . . .		01
- 6		. DELETED-NOT USED . . . . .		
- 7		. DELETED-NOT USED . . . . .		
8		. BRACKET ASSY REFER TO 27-10-02 FIGURE 02 . . . . .		RF
9	S3526-25-93	. CHAIN . . . . .		01
10	S3527-25	. CONNECTING LINK . . . . .		02
11		. AILERON TRIM CONTROL SYSTEM- PULLEYS AND BRACKETS REFER TO 27-10-02 FIGURE 03 . . . . .		RF
12	6360111-17	. FAIRLEAD . . . . .		02
13	6360111-18	. RETAINER . . . . .		02
		. ATTACHING PARTS		
14	MS27039-0812	. SCREW . . . . .		02
15	NAS1149FN832P	. WASHER . . . . .		04
16	MS21044N08	. NUT . . . . .		02
		. *—		
17	6360001-103	. CABLE ASSY-LH FWD . . . . .		01
18	6360001-102	. CABLE ASSY-RH FWD . . . . .		01
19	5115214-1	. BLOCK . . . . .		02
		. ATTACHING PARTS		
20	AN3-7A	. BOLT . . . . .		01
21	NAS1149F0332P	. WASHER . . . . .		01
22	MS21044N3	. NUT . . . . .		01
		. *—		
23	0411524-0	. BUSHING . . . . .		02
24	6361614-28	. STOP PLATE . . . . .		01
25	MS21251B2L	. TURNBUCKLE BODY CLIP . . . . .		02
26	MS21256-2	. CLIP . . . . .		04
27	6360001-68	. CABLE ASSY-UPR . . . . .		01
28	6360001-69	. CABLE ASSY-LWR . . . . .		01
29	S3526-25-85	. CHAIN . . . . .		01
30	S3527-25	. CONNECTING LINK . . . . .		02
31	S11K-3A	. SEAL . . . . . V60980		02
32	S11L-174C	. RING-SPRING . . . . . V60980		02
33	S11L-131C	. RING-SPRING . . . . . V60980		04
34	6361615-6	. SEAL CUP . . . . .		01
35	6396022-2	. ACTUATOR ASSY-AILERON TRIM REFER TO NOTE 1 . . . . .	0800	0927
- 35A	6396022-8	. ACTUATOR ASSY-AILERON TRIM REFER TO NOTE 1 . . . . .	0928	& ON
		. ATTACHING PARTS		01 R
36	MS20074-04-03	. BOLT . . . . .		04
37	MS27039-1-31	. SCREW . . . . .		01
38	NAS43DD3-93FC	. SPACER . . . . .		01
		. *—		
39	6361612-9	. PUSHROD ASSY-OUTBD . . . . .		01
- 40	6361612-10	. PUSHROD ASSY-INBD . . . . .		01
		. ATTACHING PARTS		
41	NAS464P3-8	. BOLT-ACTUATOR END . . . . .		01
42	5565460-20	. BOLT-TAB END . . . . .		01
43	NAS1149F0332P	. WASHER . . . . .		02
44	NAS1149F0363P	. WASHER . . . . .		02
45	MS17825-3	. NUT . . . . .		01
46	MS17826-3	. NUT-ACTUATOR END . . . . .		01
47	MS24665-134	. COTTER PIN . . . . .		04
		. *—		
48	6565146-2	. CLEVIS-ADJUSTABLE-INBD . . . . .		01
49	NAS509-4	. NUT-INBD . . . . .		01
50	5565440-34	. STUD TAB ROD-INBD . . . . .		01
51	NAS509L4	. NUT-INBD . . . . .		01
52	6361612-8	. BRAZE ASSY-INBD . . . . .		01
53	MS20392-1C65	. PIN . . . . .		01
54	MS24665-132	. COTTER PIN . . . . .		01
55		. TRIM TAB-REFER TO 57-60-00 FIGURE 01 . . . . .		RF

NOTE 1—REFER TO COMPONENTS MAINTENANCE MANUAL FOR DETAILS.

CESSNA®  
MODEL 525 (SERIALS -0685 AND -0800 AND ON)  
ILLUSTRATED PARTS CATALOG

A88466



DRIVE INSTALLATION - AILERON TRIM  
FIGURE 02 (SHEET 1)

6310T1168  
A6361T1080



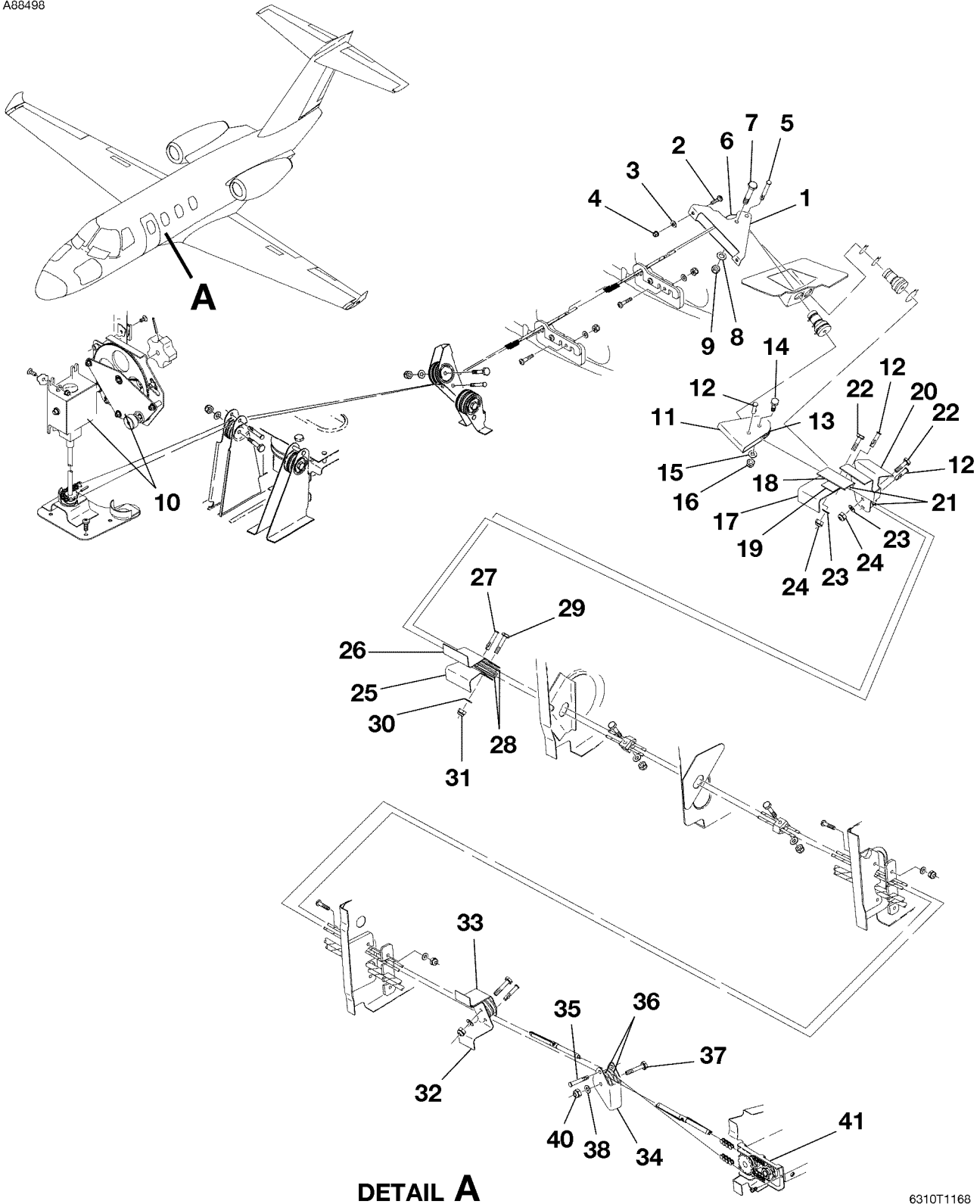
CESSNA®  
**MODEL 525 (SERIALS -0685 AND -0800 AND ON)**  
 ILLUSTRATED PARTS CATALOG

FIG ITEM	PART NUMBER	NOMENCLATURE	UNITS
			PER ASSY
02		DRIVE INSTALLATION - AILERON TRIM	RF
- 1	6361845-19	. AILERON TRIM GEARBOX ASSY . . . . .	01
		ATTACHING PARTS	
2	MS27039-0810	. SCREW . . . . .	04
3	NAS1149FN832P	. WASHER . . . . .	08
4	MS21044N08	. NUT . . . . .	04
		—*—	
5	6361817-21	. . GEARBOX . . . . .	01
6	6361817-10	. . SHAFT-INPUT . . . . .	01
7	6361804-38	. . GEAR . . . . .	01
8	MS16562-23	. . PIN . . . . .	01
- 9	NAS561P3-6	. . PIN-ALT FOR MS16562-23 . . . . .	01
10	S1004-15A	. . BEARING . . . . .	01
11	S1004-44A	. . BEARING . . . . .	01
12	S1450-6-10-016	. . WASHER . . . . .	AR
13	S1450-4-8-016	. . WASHER . . . . .	AR
14	LSA110Y-R	. . SPIRAL MITER GEAR . . . . . V71041	01
15	MS16562-28	. . PIN . . . . .	02
16	6361845-12	. . SHAFT-OUTPUT . . . . .	01
17	MS16624-1037	. . RING . . . . .	01
18	S1997-6G6	. . BEARING . . . . .	02
19	LSA110Y-L	. . SPIRAL MITER GEAR . . . . . V71041	01
20	6361817-22	. . COVER . . . . .	01
		ATTACHING PARTS	
21	MS27039-1-07	. . SCREW . . . . .	04
22	NAS1149F0332P	. . WASHER . . . . .	04
		—*—	
23	CM2692-20J2S	. . PLUG BUTTON . . . . .	01
- 24	6361845-18	. AILERON TRIM INDICATOR ASSY . . . . .	01
		ATTACHING PARTS	
25	MS27039-0808	. SCREW . . . . .	04
		—*—	
26	6361816-2	. . BASE PLATE ASSY . . . . .	01
27	MS21069L08	. . NUTPLATE . . . . .	03
28	MS21071L08	. . NUTPLATE . . . . .	01
29	S1004-67A	. . BEARING . . . . .	01
30	S1004-68A	. . BEARING . . . . .	02
31	S143-3-3	. . BEARING . . . . .	02
32	6361804-33	. . SECTOR GEAR ASSY . . . . .	01
33	6361845-14	. . TRANSFER GEAR ASSY . . . . .	01
34	6361804-29	. . SUPPORT PLATE . . . . .	01
		ATTACHING PARTS	
35	MS24694-S11	. . SCREW . . . . .	03
36	6361804-32	. . SPACER . . . . .	03
37	NAS1149FN816P	. . WASHER . . . . .	03
38	MS21042-08	. . NUT . . . . .	03
		—*—	
39	9862516-1	. . SPRING . . . . .	01
40	6361804-37	. . KNOB . . . . .	01
41	MS16562-18	. . PIN . . . . .	01
42	0432134-1	. . SPROCKET . . . . .	01
		ATTACHING PARTS	
43	MS16562-25	. . PIN . . . . .	01
- 44	NAS561P3-8	. . PIN-ALT FOR MS16562-25 . . . . .	01
		—*—	
- 45	6361819-1	. BRACKET ASSY . . . . .	01
		ATTACHING PARTS	
46	MS27039-1-08	. SCREW . . . . .	04
		—*—	
47	6361818-8	. . PLATE . . . . .	01
48	6361819-2	. . GUARD SUPPORT . . . . .	01
49	6361819-3	. . ROUND GUARD . . . . .	01
50	6361818-3	. . GUARD . . . . .	01
51	6361818-7	. . GUARD . . . . .	01
52	MS27039-0817	. . SCREW . . . . .	01
53	MS21044N08	. . NUT . . . . .	01
54	E2-9	. . BALL BEARING . . . . . V00141	02

- ITEM NOT ILLUSTRATED

CESSNA®  
MODEL 525 (SERIALS -0685 AND -0800 AND ON)  
ILLUSTRATED PARTS CATALOG

A88498



6310T1168  
A6361T1079

AILERON TRIM CONTROL SYSTEM - PULLEYS AND BRACKETS  
FIGURE 03 (SHEET 1)

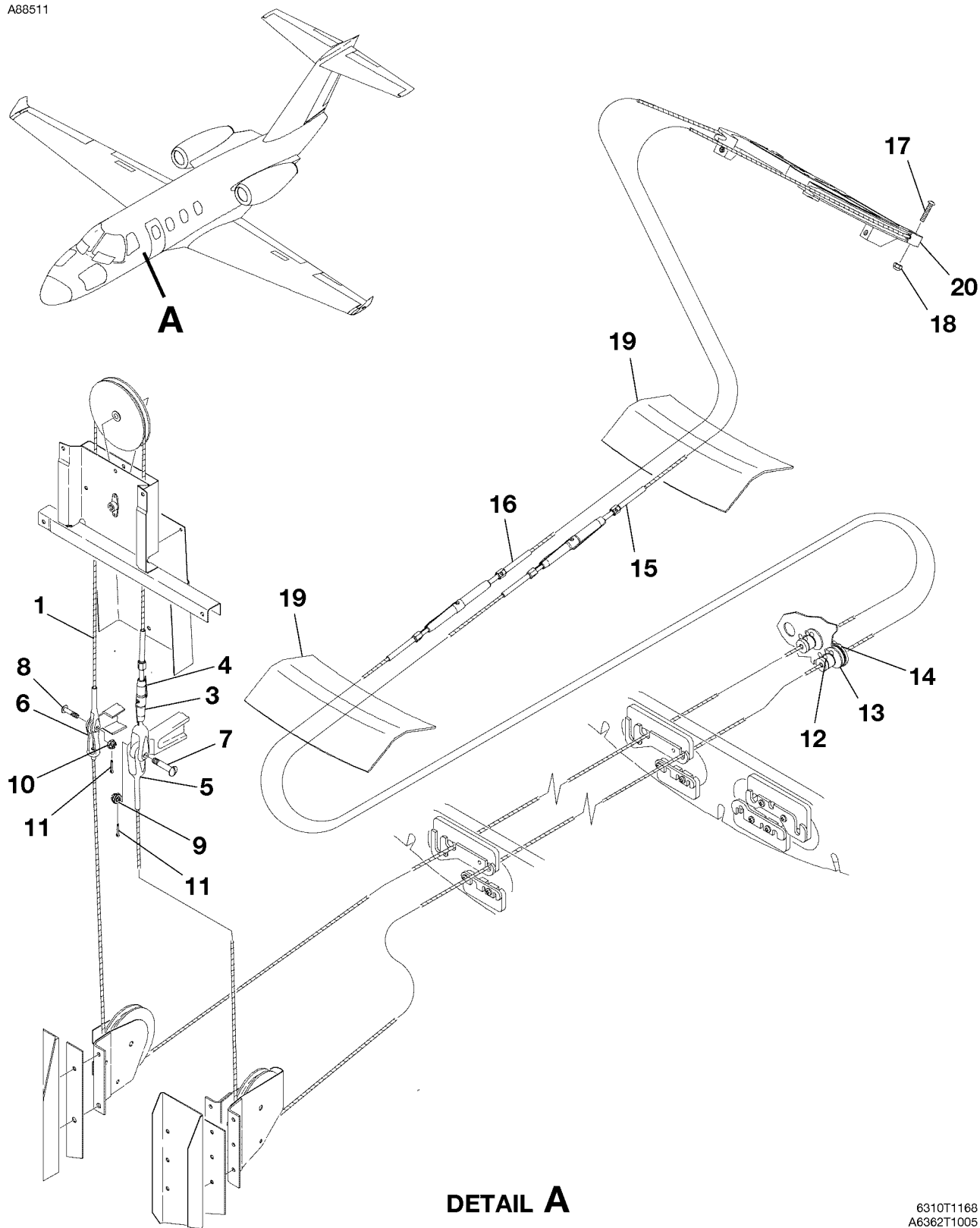
CESSNA®  
**MODEL 525 (SERIALS -0685 AND -0800 AND ON)**  
 ILLUSTRATED PARTS CATALOG

FIG ITEM	PART NUMBER	NOMENCLATURE	UNITS
			PER ASSY
03		AILERON TRIM CONTROL SYSTEM - PULLEYS AND BRACKETS	RF
-			
1	6361614-30	. BRACKET-PULLEY FS280.963 . . . . .	01
		ATTACHING PARTS	
2	MS27039-0809	. SCREW . . . . .	02
3	NAS1149FN832P	. WASHER . . . . .	02
4	MS21042L08	. NUT . . . . .	02
		—*—	
5	NAS427K18	. PIN-CABLE GUARD . . . . .	01
6	MS20219-1	. PULLEY . . . . .	02
		ATTACHING PARTS	
7	AN4-13A	. BOLT . . . . .	01
8	NAS1149F0432P	. WASHER . . . . .	01
9	MS21042L4	. NUT . . . . .	01
		—*—	
10		. GEARBOX ASSY-AILERON TRIM REFER TO 27-10-02 FIGURE 02 . . . . .	RF
11	6361614-32	. BRACKET . . . . .	01
12	NAS427K8	. PIN-CABLE GUARD . . . . .	03
13	S378-1	. PULLEY . . . . .	01
		ATTACHING PARTS	
14	AN3-6A	. BOLT . . . . .	01
15	NAS1149F0332P	. WASHER . . . . .	01
16	MS21042L3	. NUT . . . . .	01
		—*—	
17	6361614-9	. BRACKET . . . . .	01
18	6361614-10	. BRACKET . . . . .	01
19	6361614-11	. CLIP . . . . .	01
20	6361614-12	. BRACKET . . . . .	01
21	S378-1	. PULLEY . . . . .	02
		ATTACHING PARTS	
22	AN3-6A	. BOLT . . . . .	01
23	NAS1149F0332P	. WASHER . . . . .	01
24	MS21044N3	. NUT . . . . .	01
		—*—	
25	6361614-13	. BRACKET . . . . .	01
26	6361614-20	. BRACKET . . . . .	01
27	NAS427K12	. PIN-CABLE GUARD . . . . .	01
28	S378-1	. PULLEY . . . . .	02
		ATTACHING PARTS	
29	AN3-10A	. BOLT . . . . .	01
30	NAS1149F0332P	. WASHER . . . . .	01
31	MS21044N3	. NUT . . . . .	01
		—*—	
32	6361614-36	. BRACKET ASSY . . . . .	01
33	6361614-23	. BRACKET . . . . .	01
34	6361614-17	. BRACKET . . . . .	01
35	NAS427K14	. PIN-CABLE GUARD . . . . .	01
36	S378-1	. PULLEY . . . . .	02
		ATTACHING PARTS	
37	AN3-11A	. BOLT . . . . .	01
38	NAS1149F0332P	. WASHER . . . . .	01
-		. DELETED-NOT USED . . . . .	
40	MS21044N3	. NUT . . . . .	01
		—*—	
41		. ACTUATOR-AILERON TRIM CONTROL SYSTEM REFER TO FIGURE 27-10-02 FIGURE 01 . . . . .	RF

- ITEM NOT ILLUSTRATED

CESSNA®  
MODEL 525 (SERIALS -0685 AND -0800 AND ON)  
ILLUSTRATED PARTS CATALOG

A88511



**DETAIL A**

RUDDER CONTROL SYSTEM - CABLES  
FIGURE 01 (SHEET 1)

6310T1168  
A6362T1005

CESSNA®  
**MODEL 525 (SERIALS -0685 AND -0800 AND ON)**  
 ILLUSTRATED PARTS CATALOG

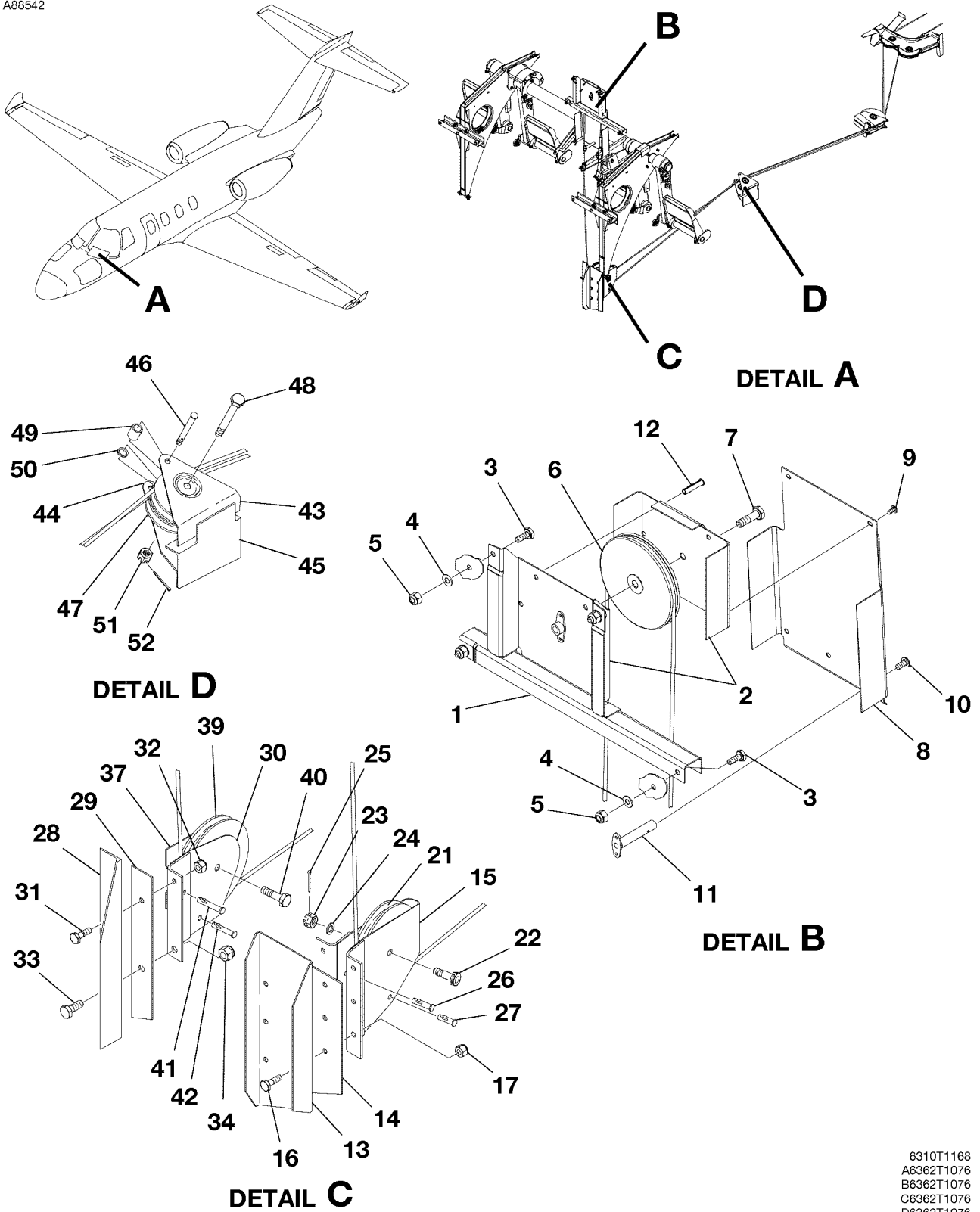
FIG ITEM	PART NUMBER	NOMENCLATURE	UNITS	
			PER	ASSY
01		RUDDER CONTROL SYSTEM - CABLES		RF
-		. CABLE ASSY . . . . .		01
1	5565600-8	. CLEVIS END-TURNBUCKLE TO END . . . . .		01
- 2	MS21253-4RS	. TURNBUCKLE . . . . .		03
3	MS21251B5L	. CLIP . . . . .		06
4	MS21256-2	. CABLE ASSY-LH FWD . . . . .		01
5	6360001-13	. CABLE ASSY-RH FWD . . . . .		01
6	6360001-14	ATTACHING PARTS		
7	AN24-19	. CLEVIS BOLT-LH . . . . .		01
8	AN23-13	. CLEVIS BOLT-RH . . . . .		01
9	AN310-4	. NUT . . . . .		01
10	AN310-3	. NUT . . . . .		01
11	MS24665-132	. COTTER PIN . . . . .		01
		—*—		
12	S11K-24R	. SEAL . . . . . V60980		02
13	S11L-162C	. RING . . . . . V60980		02
14	S11L-161C	. RING . . . . . V60980		02
15	6360001-55	. CABLE ASSY-LH AFT REFER TO NOTE 1 . . . . .	0800	0870 01 R
- 15A	6361011-35	. CABLE ASSY-LH AFT REFER TO NOTE 1 . . . . .	0871	& ON 01 R
- 15B	6361011-33	. CABLE ASSY-LH MID REFER TO NOTE 1 . . . . .	0871	& ON 01 R
16	6360001-54	. CABLE ASSY-RH AFT . . . . .		01
		ATTACHING PARTS		
17	MS27039-0814	. SCREW . . . . .		01
18	MS21044N08	. NUT . . . . .		01
		—*—		
19	6361123-2	. SHIELD . . . . .		02
20		. RUDDER ASSY REFER TO 55-40-00 FIGURE 01 . . . . .		RF

NOTE 1—AIRPLANES -0685, -0800 AND ON INCORPORATING SB525-27-24.

R

CESSNA®  
**MODEL 525 (SERIALS -0685 AND -0800 AND ON)**  
 ILLUSTRATED PARTS CATALOG

A88542



RUDDER CONTROL SYSTEM - PULLEYS AND BRACKETS  
 FIGURE 02 (SHEET 1)

6310T1168  
 A6362T1076  
 B6362T1076  
 C6362T1076  
 D6362T1076

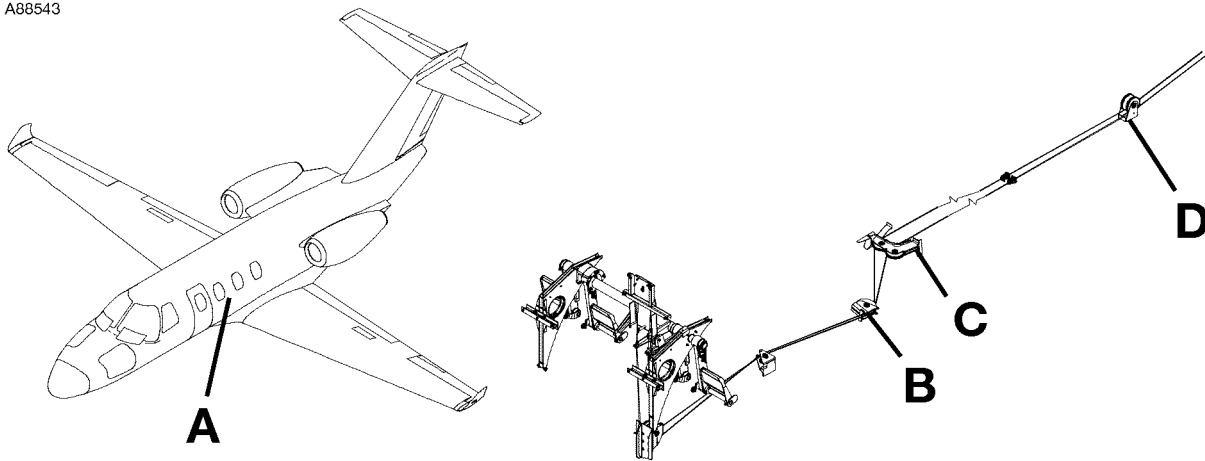
CESSNA®  
**MODEL 525 (SERIALS -0685 AND -0800 AND ON)**  
 ILLUSTRATED PARTS CATALOG

FIG ITEM	PART NUMBER	NOMENCLATURE	UNITS
			PER ASSY
		1 2 3 4 5 6 7	
02		RUDDER CONTROL SYSTEM - PULLEYS AND BRACKETS	RF
- 1	5565614-7	. STIFFENER-PULLEY BRACKET ASSY . . . . .	01
2	5565604-8	. PULLEY BRACKET ASSY . . . . .	01
		ATTACHING PARTS	
3	AN3-3A	. BOLT . . . . .	04
4	NAS1149D0332K	. WASHER . . . . .	04
5	MS21044N3	. NUT . . . . .	04
		—*—	
6	S378-4	. PULLEY . . . . .	01
		ATTACHING PARTS	
7	AN4-7A	. BOLT . . . . .	01
		—*—	
8	6360310-2	. SHIELD ASSY . . . . .	01
		ATTACHING PARTS	
9	MS35207-226	. SCREW . . . . .	02
10	MS35207-261	. SCREW . . . . .	03
11	S3887-1H1.80	. STANDOFF . . . . .	03
		—*—	
12	NAS427K9	. PIN-GUARD . . . . .	03
13	5565313-1	. SUPPORT BRACKET-PULLEY . . . . .	01
14	5565313-2	. FILLER . . . . .	01
15	6361306-2	. PULLEY BRACKET-LH . . . . .	01
		ATTACHING PARTS	
16	AN3-5A	. BOLT . . . . .	06
17	MS21044N3	. NUT . . . . .	06
		—*—	
- 18	6361306-3	. BRACKET . . . . .	01
- 19	5565301-3	. ANGLE-ATTACH . . . . .	01
- 20	5565301-4	. ANGLE-ATTACH . . . . .	01
21	S3504-3	. PULLEY . . . . .	01
		ATTACHING PARTS	
22	NAS6204-10D	. BOLT . . . . .	01
23	MS17825-4	. NUT . . . . .	01
24	NAS1149F0463P	. WASHER . . . . .	01
25	MS24665-134	. COTTER PIN . . . . .	03
		—*—	
26	S3940-7	. PIN-UPR FWD GUARD . . . . .	01
27	S3940-6	. PIN-LWR AFT GUARD . . . . .	01
28	5565312-5	. SUPPORT ANGLE . . . . .	01
29	5565312-2	. FILLER . . . . .	01
30	5565302-9	. BRACKET ASSY-RH PULLEY . . . . .	01
		ATTACHING PARTS	
31	AN3-5A	. BOLT-UPR . . . . .	01
32	MS21044N3	. NUT-UPR . . . . .	01
33	AN4-5A	. BOLT-LWR . . . . .	01
34	MS21044N4	. NUT-LWR . . . . .	01
		—*—	
- 35	5565302-8	. PULLEY BRACKET . . . . .	01
- 36	5565302-5	. ANGLE-ATTACH . . . . .	01
37	5565302-11	. BRACKET ASSY . . . . .	01
- 38	MS21069L4	. NUTPLATE . . . . .	01
39	S378-4	. PULLEY . . . . .	01
		ATTACHING PARTS	
40	AN4H10A	. BOLT . . . . .	01
		—*—	
41	NAS427K18	. PIN-UPR FWD . . . . .	01
42	NAS427K15	. PIN-LH AFT GUARD . . . . .	01
43	6360305-16	. BRACKET-PULLEY . . . . .	01
44	6360305-15	. BRACKET-PULLEY . . . . .	01
45	6360305-17	. MOUNT-BRACKET . . . . .	01
46	NAS427K27	. PIN-CABLE GUARD . . . . .	01
47	S378-3	. PULLEY . . . . .	02
		ATTACHING PARTS	
48	AN4-20	. BOLT . . . . .	01
49	NAS43DD4-29FC	. SPACER . . . . .	01
50	NAS43DD4-3FC	. SPACER . . . . .	01
51	MS17825-4	. NUT . . . . .	01
52	MS24665-134	. COTTER PIN . . . . .	01
		—*—	

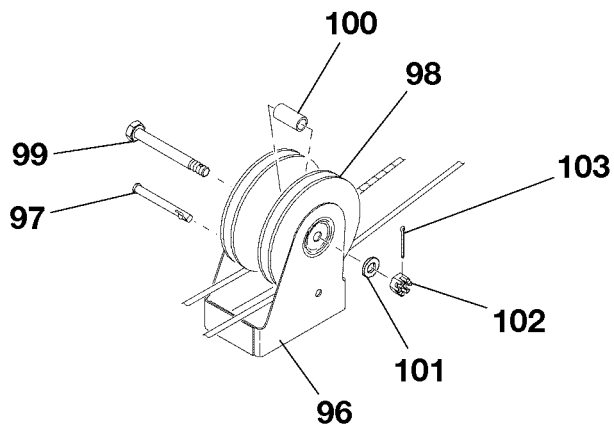
- ITEM NOT ILLUSTRATED

CESSNA®  
**MODEL 525 (SERIALS -0685 AND -0800 AND ON)**  
 ILLUSTRATED PARTS CATALOG

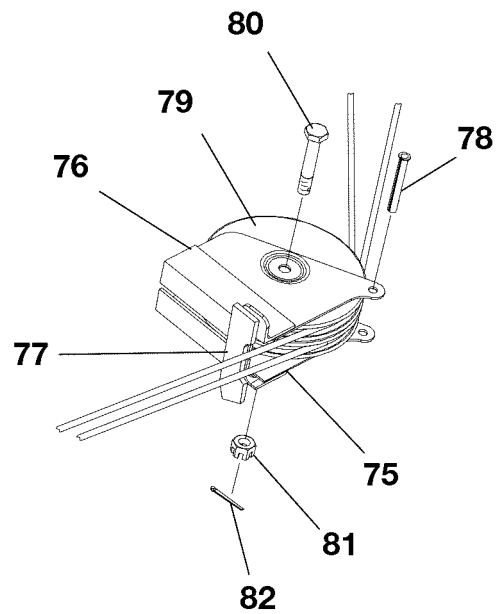
A88543



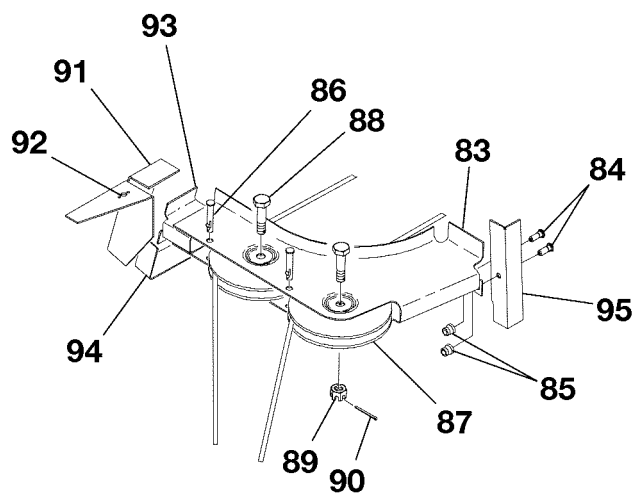
**DETAIL A**



**DETAIL D**



**DETAIL B**



**DETAIL C**

RUDDER CONTROL SYSTEM - PULLEYS AND BRACKETS  
 FIGURE 02 (SHEET 2)

6310T1168  
 A6362T1076  
 B6362T1076  
 C6362T1076  
 D6362T1076



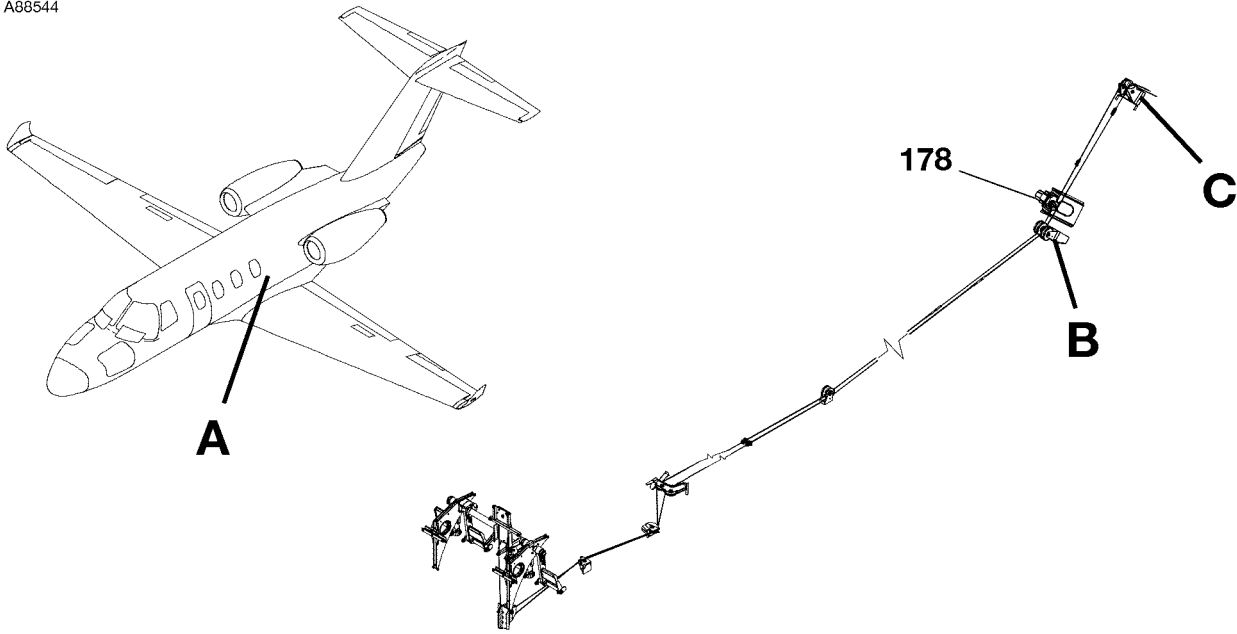
CESSNA®  
**MODEL 525 (SERIALS -0685 AND -0800 AND ON)**  
 ILLUSTRATED PARTS CATALOG

FIG ITEM	PART NUMBER	NOMENCLATURE	UNITS
			PER ASSY
		1 2 3 4 5 6 7	
02			
75	6360305-9	. BRACKET ASSY . . . . .	01
76	6360305-8	. BRACKET ASSY . . . . .	01
77	6360305-18	. STIFFENER . . . . .	01
78	NAS427K19	. PIN-CABLE GUARD . . . . .	01
79	S378-4	. PULLEY . . . . .	02
		ATTACHING PARTS	
80	AN4-14	. BOLT . . . . .	01
81	MS17825-4	. NUT . . . . .	01
82	MS24665-134	. COTTER PIN . . . . .	01
		—*—	
83	6360305-2	. BRACKET-RUDDER PULLEY . . . . .	01
		ATTACHING PARTS	
84	HL10VBJ5-2	. PIN-HI-LOK . . . . . V73197	02
85	HL70-5	. COLLAR-HI-LOK . . . . . V73197	02
		—*—	
86	NAS427K11	. PIN-CABLE GUARD . . . . .	02
87	S378-4S	. PULLEY . . . . .	02
		ATTACHING PARTS	
88	AN4-10	. BOLT . . . . .	01
89	MS17825-4	. NUT . . . . .	01
90	MS24665-134	. COTTER PIN . . . . .	01
		—*—	
91	6360305-3	. BRACKET . . . . .	01
92	MS21071-3	. NUTPLATE . . . . .	01
93	6360305-4	. BRACKET . . . . .	01
94	6360305-5	. CLIP . . . . .	01
95	6360305-6	. STIFFENER . . . . .	01
96	6360315-23	. PULLEY BRACKET . . . . .	01
97	NAS427K30	. PIN-CABLE GUARD . . . . .	01
98	S378-4S	. PULLEY . . . . .	02
		ATTACHING PARTS	
99	AN4-22	. BOLT . . . . .	01
100	NAS43HT4-49	. SPACER . . . . .	01
101	NAS1149F0463P	. WASHER . . . . .	01
102	MS17825-4	. NUT . . . . .	01
103	MS24665-134	. COTTER PIN . . . . .	01
		—*—	

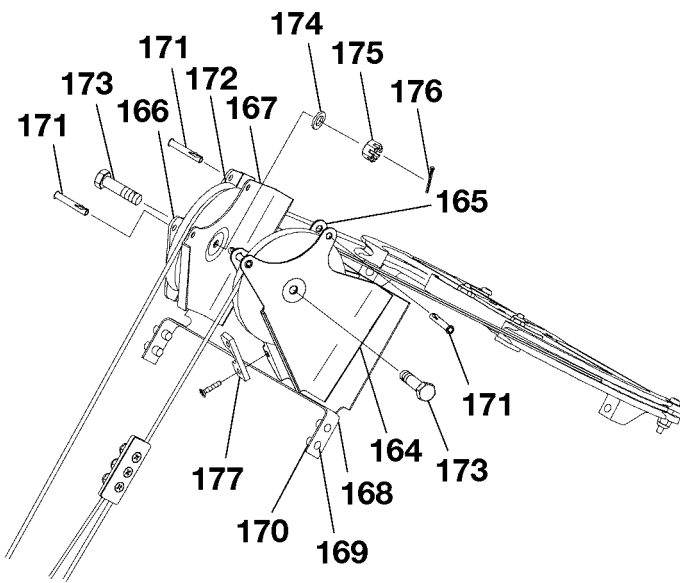
- ITEM NOT ILLUSTRATED

CESSNA®  
**MODEL 525 (SERIALS -0685 AND -0800 AND ON)**  
 ILLUSTRATED PARTS CATALOG

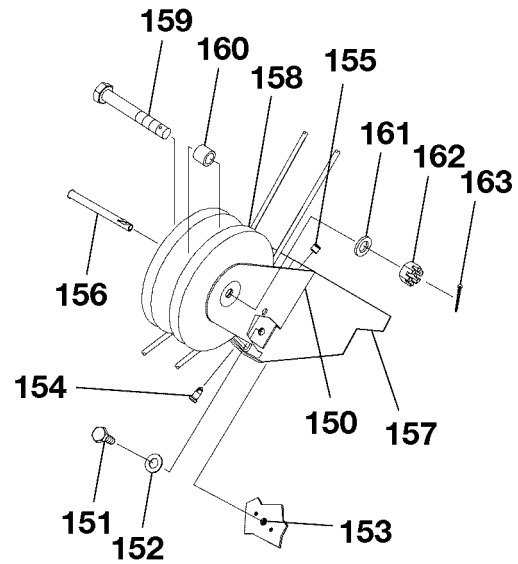
A88544



**DETAIL A**



**DETAIL C**



**DETAIL B**

**RUDDER CONTROL SYSTEM - PULLEYS AND BRACKETS**  
 FIGURE 02 (SHEET 3)

6310T1168  
 A6362T1076  
 B6362T1076  
 C6362T1076

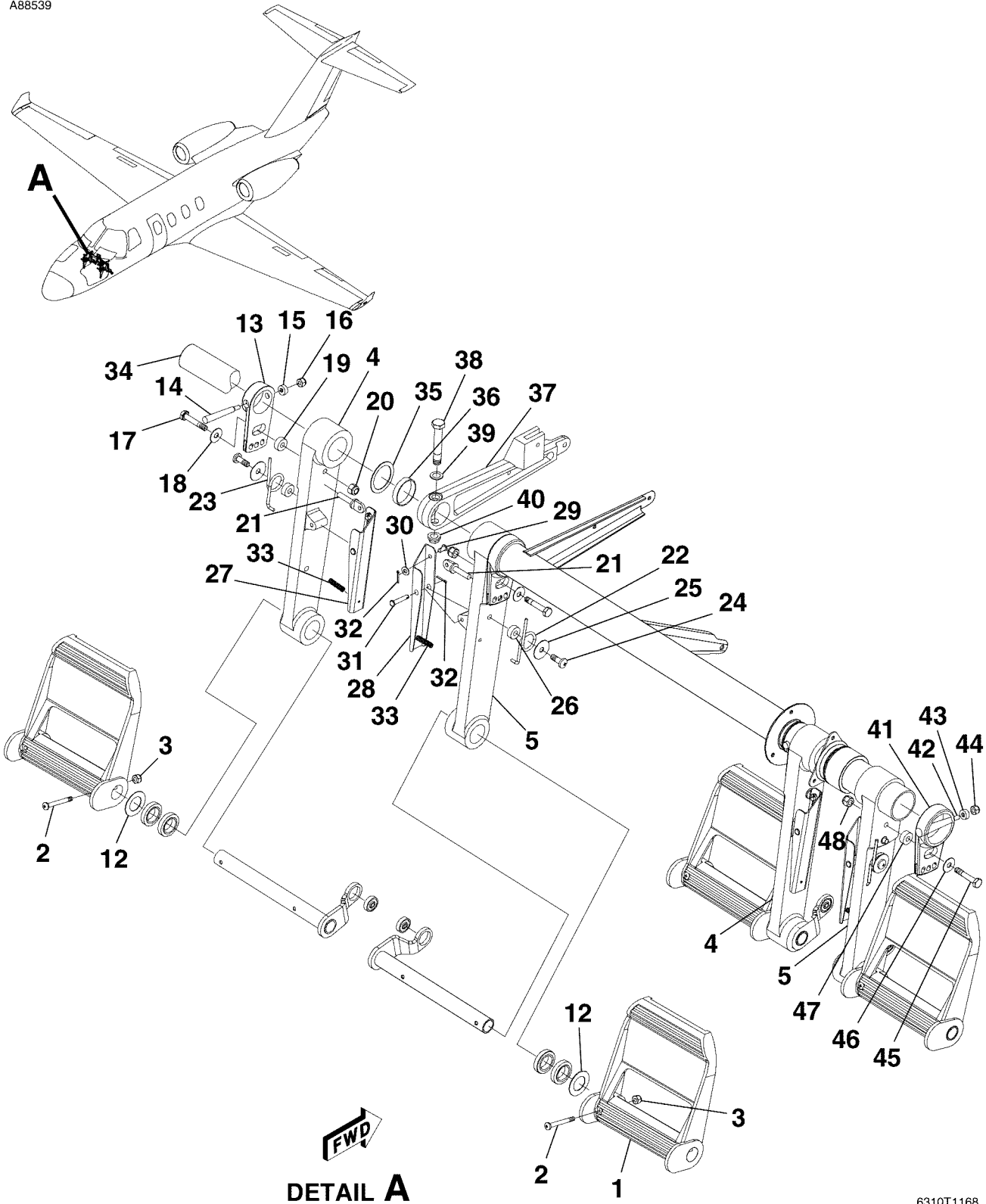
CESSNA®  
**MODEL 525 (SERIALS -0685 AND -0800 AND ON)**  
 ILLUSTRATED PARTS CATALOG

FIG ITEM	PART NUMBER	NOMENCLATURE	UNITS
			PER ASSY
02			
150	6360315-27	. PULLEY BRACKET . . . . .	01
		. ATTACHING PARTS	
151	AN3-4A	. BOLT . . . . .	02
152	NAS1149F0332P	. WASHER . . . . .	02
153	MS21069L3	. NUTPLATE . . . . .	02
154	NAS7035H02	. PIN . . . . .	02
155	NAS1080AG05	. COLLAR . . . . .	02
		—*—	
156	NAS427K27	. PIN-CABLE GUARD . . . . .	01
157	6360315-32	. PAN-BRACKET SUPPORT . . . . .	01
158	S378-4	. PULLEY . . . . .	02
		. ATTACHING PARTS	
159	AN4-20	. BOLT . . . . .	01
160	NAS43HT4-33	. SPACER . . . . .	01
161	NAS1149F0463P	. WASHER . . . . .	01
162	MS17825-4	. NUT . . . . .	01
163	MS24665-134	. COTTER PIN . . . . .	01
		—*—	
164	6360315-29	. BRACKET-PULLEY LH OUTBD . . . . .	01
165	6360315-33	. BRACKET-PULLEY LH INBD . . . . .	01
166	6360315-8	. BRACKET-PULLEY RH OUTBD . . . . .	01
167	6360315-9	. BRACKET-PULLEY RH INBD . . . . .	01
168	6360315-21	. PAN-BRACKET SUPPORT . . . . .	01
		. ATTACHING PARTS	
169	HL10VBJ5-2	. PIN-HI-LOK . . . . . V73197	04
170	HL70-5	. COLLAR-HI-LOK . . . . . V73197	04
		—*—	
171	NAS427K11	. PIN-CABLE GUARD . . . . .	04
172	S378-4	. PULLEY . . . . .	02
		. ATTACHING PARTS	
173	AN4-11	. BOLT . . . . .	01
174	NAS1149F0463P	. WASHER . . . . .	01
175	MS17825-4	. NUT . . . . .	01
176	MS24665-134	. COTTER PIN . . . . .	01
		—*—	
177		. FAIRLEAD-LH ELEVATOR CABLE REFER TO 27-30-00 FIGURE 01 . . . . .	RF
178		. SERVO-AUTOPILOT REFER TO 22-10-00 FIGURE 01 . . . . .	RF

- ITEM NOT ILLUSTRATED

CESSNA®  
MODEL 525 (SERIALS -0685 AND -0800 AND ON)  
ILLUSTRATED PARTS CATALOG

A88539



**DETAIL A**

RUDDER PEDALS  
FIGURE 01 (SHEET 1)

6310T1168  
A55604001A

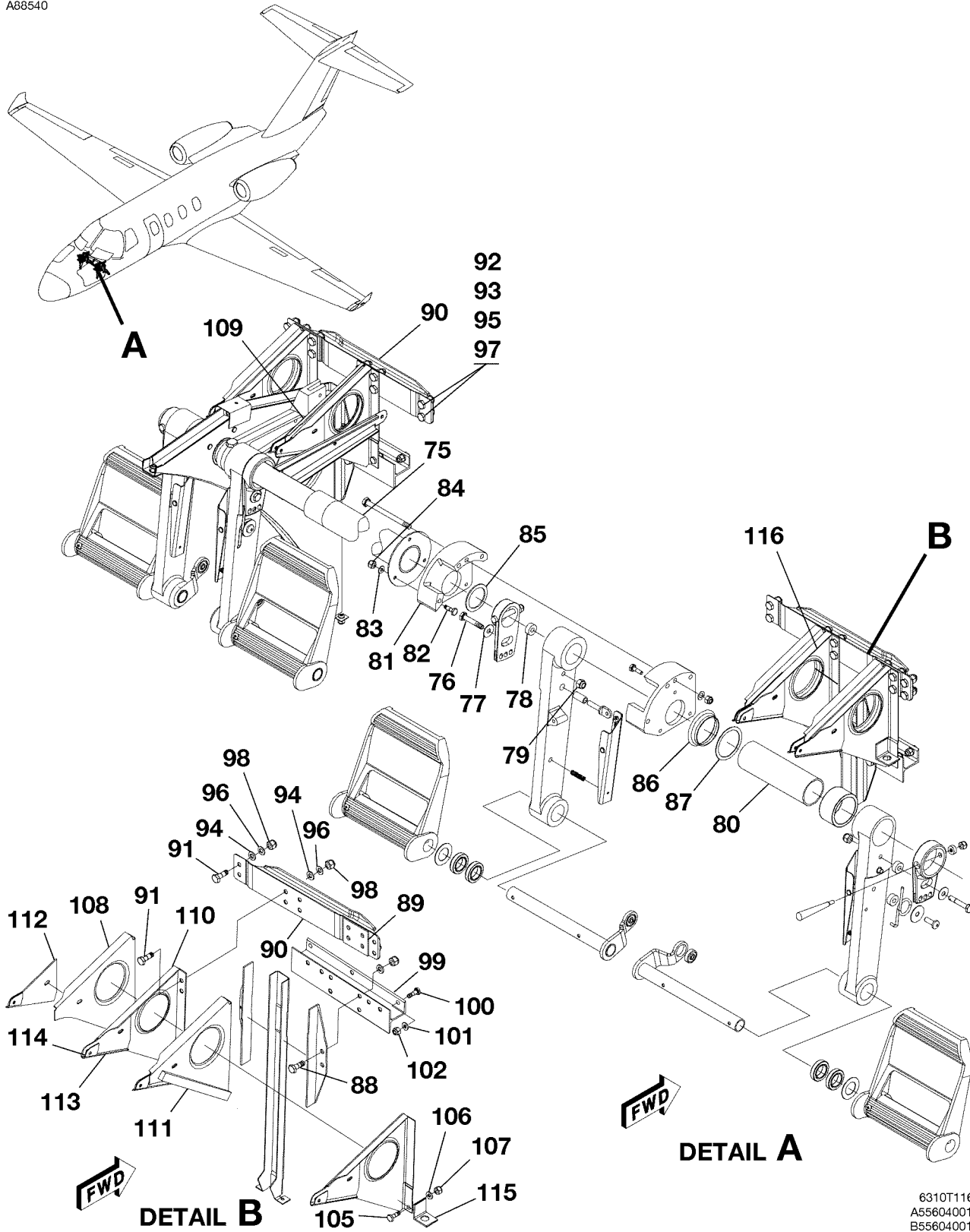
CESSNA®  
**MODEL 525 (SERIALS -0685 AND -0800 AND ON)**  
 ILLUSTRATED PARTS CATALOG

FIG ITEM	PART NUMBER	NOMENCLATURE	UNITS PER ASSY
01			
-		RUDDER PEDALS	RF
1	6565132-1	. RUDDER PEDAL . . . . .	04
		ATTACHING PARTS	
2	MS27039-1-28	. SCREW . . . . .	02
3	MS21044N3	. NUT . . . . .	02
		—*—	
4	5565601-1	. ARM ASSY-RUDDER PEDAL FSO 6361005-11 . . . . .	NP R
- 4A	6361005-11	. ARM ASSY-RUDDER PEDAL . . . . .	02 R
5	5565601-2	. ARM ASSY-RUDDER PEDAL FSO 6361005-12 . . . . .	NP R
- 5A	6361005-12	. ARM ASSY-RUDDER PEDAL . . . . .	02 R
- 6	MS27646-39	. BEARING . . . . . V21335	02 R
- 7	MS21209F4-15	. INSERT . . . . .	01 R
- 8	NAS75-4-024	. BUSHING . . . . .	01 R
- 9	5565601-5	. ARM-LH . . . . .	01 R
- 9A	6361005-9	. ARM-LH . . . . .	01 R
- 10	5565601-6	. ARM-RH . . . . .	01 R
- 10A	6361005-10	. ARM-RH . . . . .	01 R
- 11	6960507-24	. STIFFENER-ARM . . . . .	01 R
12	NAS1149F1232P	. WASHER REFER TO NOTE 1 . . . . .	AR R
13	6361005-1	. LOCATING HUB-RUDDER PEDAL LOCATOR . . . . .	02 R
		ATTACHING PARTS	
14	AN386-2-14A	. TAPER PIN . . . . .	01 R
15	AN975-3	. WASHER . . . . .	01 R
16	MS21044N3	. NUT . . . . .	01 R
17	AN4-13A	. BOLT . . . . .	01 R
18	S1450-4-12-032	. WASHER . . . . .	01 R
19	NAS43HT4-17	. SPACER . . . . .	01 R
20	MS21044N4	. NUT . . . . .	01 R
		—*—	
21	5565612-1	. PIN-ADJUSTING . . . . .	04 R
22	5565616-1	. TORSION SPRING . . . . .	02 R
23	5565616-2	. TORSION SPRING . . . . .	02 R
		ATTACHING PARTS	
24	MS27039-4-11	. SCREW . . . . .	01 R
25	S1450-4-16-032	. WASHER . . . . .	01 R
26	5565600-5	. SPACER . . . . .	01 R
		—*—	
27	5565603-1	. LEVER ASSY-LH PEDAL ADJUSTMENT . . . . .	02 R
28	5565603-2	. LEVER ASSY-RH PEDAL ADJUSTMENT . . . . .	02 R
		ATTACHING PARTS	
29	MS20392-2C7	. PIN . . . . .	01 R
30	NAS1149D0332K	. WASHER . . . . .	01 R
31	MS20392-2C29	. PIN . . . . .	01 R
32	MS24665-132	. COTTER PIN . . . . .	02 R
		—*—	
33	5565616-3	. COMPRESSION SPRING . . . . .	04 R
34	5565613-7	. TUBE-LH . . . . .	01 R
35	5565611-3	. WASHER . . . . .	01 R
36	5565611-5	. COLLAR . . . . .	01 R
37	5565606-2	. LEVER ARM-PEDAL . . . . .	01 R
		ATTACHING PARTS	
38	AN176-21A	. BOLT . . . . .	01 R
39	NAS1149D0632K	. WASHER . . . . .	01 R
40	MS21042-6	. NUT . . . . .	01 R
		—*—	
41	6361005-2	. LOCATING HUB-RH RUDDER PEDAL LOCATOR . . . . .	01 R
		ATTACHING PARTS	
42	AN386-2-17A	. TAPER PIN . . . . .	01 R
43	AN975-3	. WASHER . . . . .	01 R
44	MS21044N3	. NUT . . . . .	01 R
45	AN4-13A	. BOLT . . . . .	01 R
46	S1450-4-12-032	. WASHER . . . . .	01 R
47	NAS43HT4-17	. SPACER . . . . .	01 R
48	MS21044N4	. NUT . . . . .	01 R
		—*—	

NOTE 1—SEE MAINTENANCE MANUAL FOR USAGE OF WASHERS.

CESSNA®  
**MODEL 525 (SERIALS -0685 AND -0800 AND ON)**  
 ILLUSTRATED PARTS CATALOG

A88540



RUDDER PEDALS  
 FIGURE 01 (SHEET 2)

6310T1168  
 A55604001A  
 B55604001A

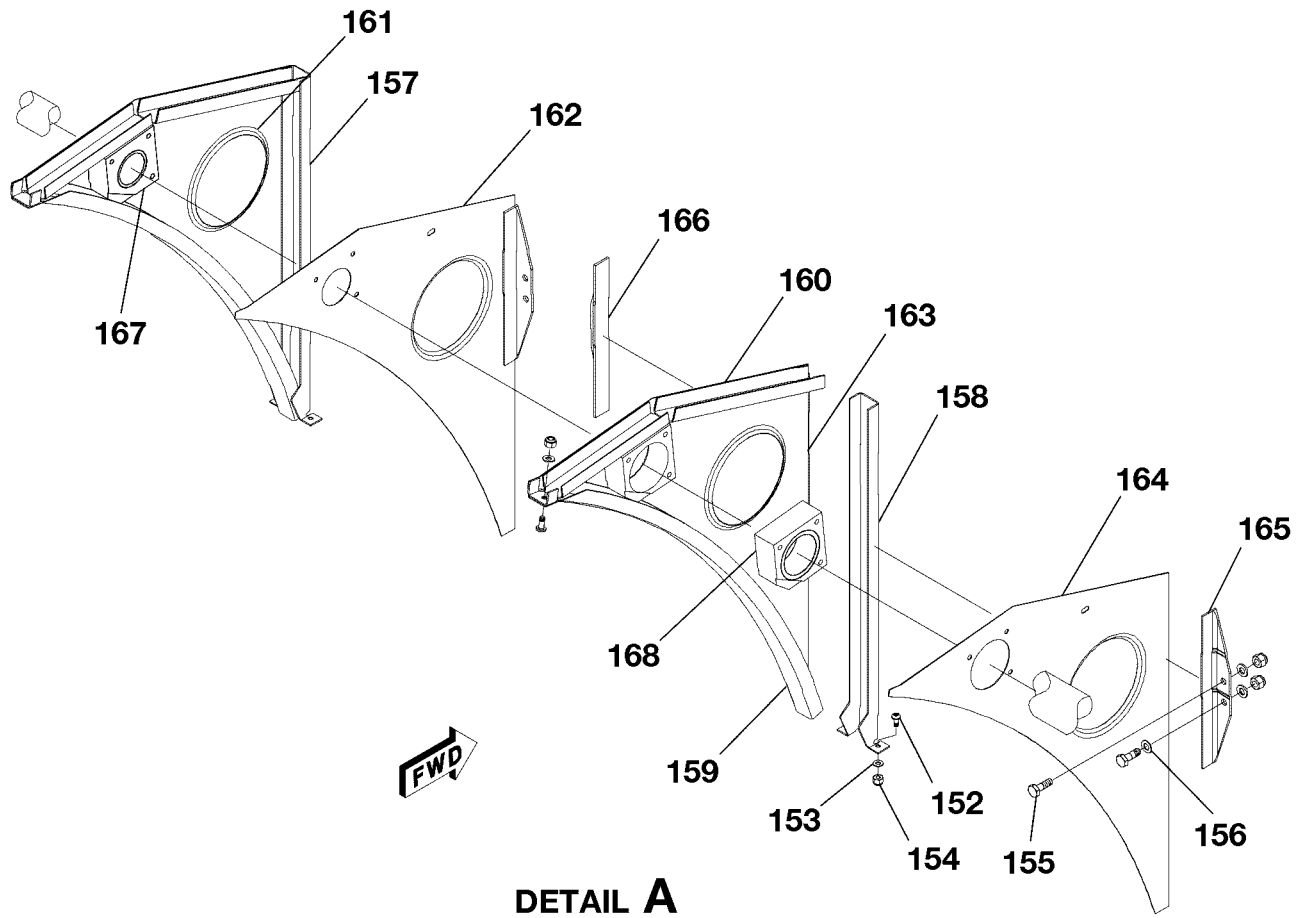
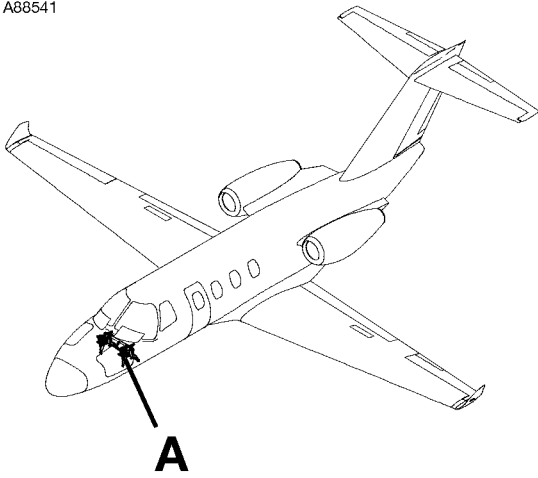
CESSNA®  
**MODEL 525 (SERIALS -0685 AND -0800 AND ON)**  
 ILLUSTRATED PARTS CATALOG

FIG ITEM	PART NUMBER	NOMENCLATURE	UNITS
			PER ASSY
		1 2 3 4 5 6 7	
01			
75	6361005-8	. TORQUE TUBE ASSY . . . . . ATTACHING PARTS	01
76	AN4-13A	. BOLT . . . . .	01
77	S1450-4-12-032	. WASHER . . . . .	01
78	NAS43HT4-17	. SPACER . . . . .	01
79	MS21044N4	. NUT . . . . . —*—	01
80	5565613-1	. TORQUE TUBE ASSY-RH . . . . .	01
81	6360310-13	. BRIDGE ASSY . . . . . ATTACHING PARTS	01
82	AN3-5A	. BOLT . . . . .	06
83	NAS1149D0332K	. WASHER . . . . .	06
84	MS21044N3	. NUT . . . . . —*—	06
85	5565611-6	. WASHER . . . . .	01
86	5565611-7	. COLLAR . . . . .	01
87	5565611-4	. WASHER . . . . .	01
88	AN4-6A	. BOLT-UPPER . . . . .	04
89	5565614-4	. SPACER-STIFFENER BRAKE CYLINDER SUPPORT LH AND RH OUTBOARD . . . . .	02
90	6360310-17	. STIFFENER-RUDDER PEDAL SUPPORT . . . . . ATTACHING PARTS	02
91	AN4-6A	. BOLT-LH . . . . .	11
92	AN4-6A	. BOLT-RH . . . . .	12
93	NAS1149D0432K	. WASHER-LH . . . . .	11
94	NAS1149D0432K	. WASHER-RH . . . . .	12
95	NAS1149D0463K	. WASHER-LH . . . . .	11
96	NAS1149D0463K	. WASHER-RH . . . . .	12
97	MS21044N4	. NUT-LH . . . . .	11
98	MS21044N4	. NUT-RH . . . . . —*—	12
99	6311294-7	. SUPPORT-RUDDER PEDAL LH AND RH . . . . . ATTACHING PARTS	02
100	AN3-5A	. BOLT . . . . .	03
101	NAS1149D0363K	. WASHER . . . . .	03
102	MS21044N3	. NUT . . . . . —*—	03
- 103	5565608-21	. SUPPORT ASSY-BRAKE CYLINDER SUPPORT . . . . .	03
- 104	5565608-20	. SUPPORT ASSY-BRAKE CYLINDER SUPPORT . . . . . ATTACHING PARTS	01
105	AN3-5A	. BOLT . . . . .	02
106	NAS1149D0363K	. WASHER . . . . .	02
107	MS21044N3	. NUT . . . . . —*—	02
108	5565608-7	. . . . . SUPPORT . . . . .	01
109	5565608-9	. . . . . SUPPORT . . . . .	01
110	5565608-8	. . . . . SUPPORT . . . . .	01
111	5565608-10	. . . . . SPACER . . . . .	01
112	5565608-15	. . . . . DOUBLER . . . . .	01
113	5565608-14	. . . . . DOUBLER . . . . .	01
114	5565608-19	. . . . . SPACER . . . . .	02
115	5565600-6	. BRACKET . . . . .	05
116		. CYLINDER ASSY-BRAKE REFER TO 32-41-00 FIGURE 01 . . . . .	RF

- ITEM NOT ILLUSTRATED

CESSNA®  
MODEL 525 (SERIALS -0685 AND -0800 AND ON)  
ILLUSTRATED PARTS CATALOG

A88541



**DETAIL A**

RUDDER PEDALS  
FIGURE 01 (SHEET 3)

6310T1168  
A55604001A



CESSNA®  
**MODEL 525 (SERIALS -0685 AND -0800 AND ON)**  
 ILLUSTRATED PARTS CATALOG

FIG ITEM	PART NUMBER	NOMENCLATURE	UNITS
			PER ASSY
01			
- 150	6360005-3	. SUPPORT ASSY-LH BEARING BLOCK . . . . .	01
- 151	6360005-4	. SUPPORT ASSY-RH BEARING BLOCK . . . . .	01
		ATTACHING PARTS	
152	MS35206-243	. SCREW . . . . .	02
153	NAS1149DN832K	. WASHER . . . . .	02
154	MS21044N08	. NUT . . . . .	02
155	AN4-6A	. BOLT . . . . .	02
156	NAS1149D0432K	. WASHER-LOWER . . . . .	01
		—*—	
157	5565609-25	. CHANNEL-FWD . . . . .	01
158	5565609-26	. CHANNEL-FWD . . . . .	01
159	5565609-7	. CHANNEL-LOWER . . . . .	01
160	5565609-14	. CHANNEL-UPPER . . . . .	01
161	5565609-13	. COVER-LH PILOT . . . . .	01
162	5565609-12	. COVER-RH PILOT . . . . .	01
163	5565609-15	. COVER-LH COPILOT . . . . .	01
164	5565609-16	. COVER-RH COPILOT . . . . .	01
165	5565609-28	. ANGLE-LH . . . . .	01
166	5565609-27	. ANGLE-RH . . . . .	01
167	5565610-1	. BEARING BLOCK ASSY-LH . . . . .	01
168	5565610-2	. BEARING BLOCK ASSY-RH . . . . .	01
- 169	B2016	. . . BEARING-LH . . . . . V60380	01
- 170	S1997-26G16	. . . BEARING-RH . . . . .	01

- ITEM NOT ILLUSTRATED



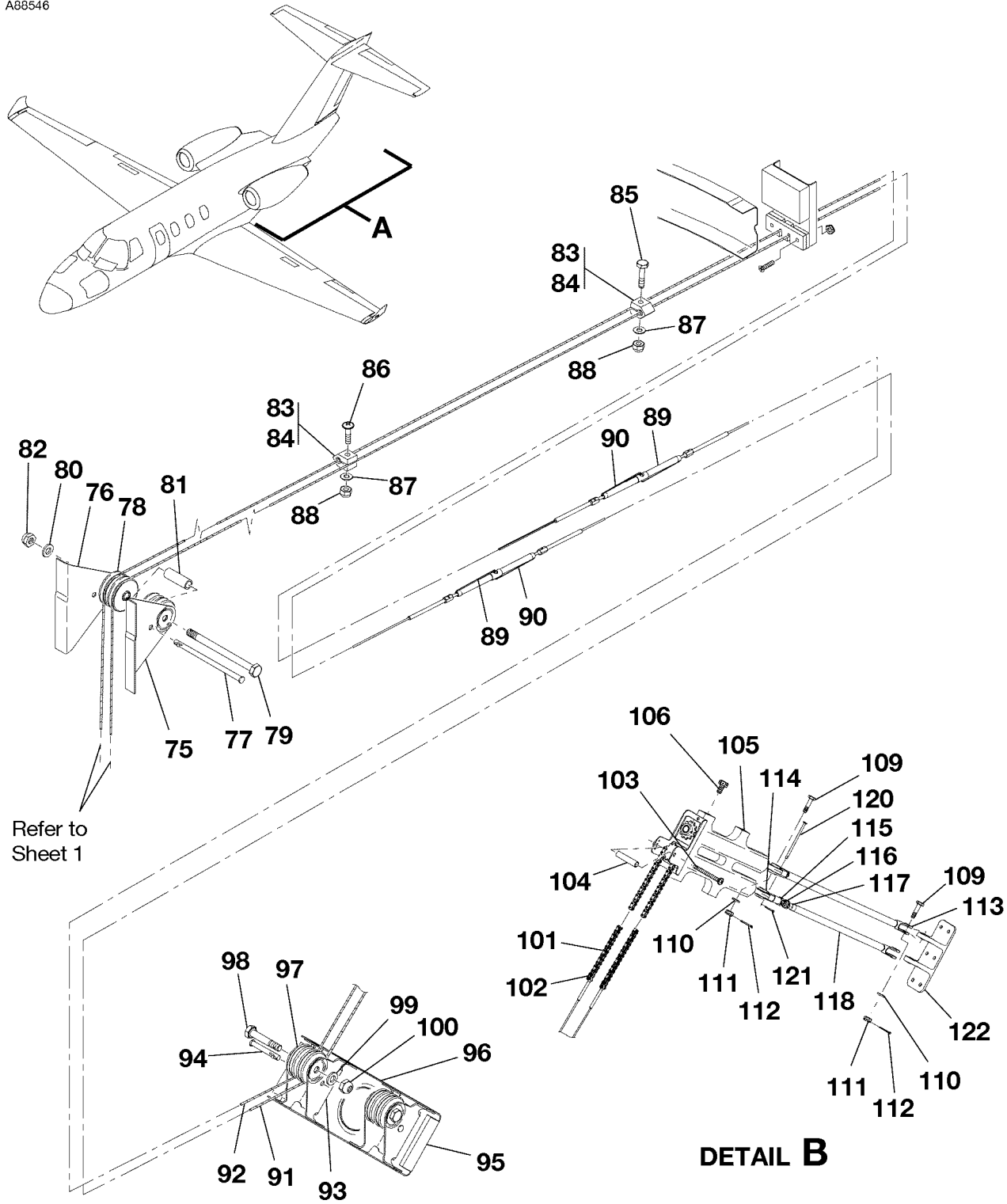
CESSNA®  
**MODEL 525 (SERIALS -0685 AND -0800 AND ON)**  
 ILLUSTRATED PARTS CATALOG

FIG ITEM	PART NUMBER	NOMENCLATURE	UNITS
			PER ASSY
01		RUDDER TRIM CONTROL SYSTEM	RF
-		. WHEEL ASSY-RUDDER TRIM REFER TO 27-20-02 FIGURE 02 . . . . .	RF
1		. CHAIN . . . . .	01
2	S3526-25-109	. CONNECTING LINK . . . . .	02
3	S3527-25	. CABLE ASSY-LH FWD . . . . .	01
4	6360001-105	. CABLE ASSY-RH FWD . . . . .	01
5	6360001-104	. PULLEY BRACKET . . . . .	01
6	6361401-3	. PIN-CABLE GUARD . . . . .	01
7	NAS427K13	. PULLEY . . . . .	02
8	S378-1	. ATTACHING PARTS	
9	AN3-10A	. BOLT . . . . .	01
10	NAS1149F0332P	. WASHER . . . . .	01
11	MS21044N3	. NUT . . . . .	01
		—*—	
12	6361613-4	. PULLEY BRACKET . . . . .	01
13	NAS427K24	. PIN-CABLE GUARD . . . . .	01
14	S378-1	. PULLEY . . . . .	03
		. ATTACHING PARTS	
15	AN3-16A	. BOLT . . . . .	01
16	NAS1149F0332P	. WASHER . . . . .	01
17	NAS43DD3-27N	. SPACER . . . . .	01
18	MS21044N3	. NUT . . . . .	01
		—*—	
19	6360111-13	. FAIRLEAD . . . . .	02
20	6360111-14	. RETAINER . . . . .	02
		. ATTACHING PARTS	
21	MS27039-0812	. SCREW . . . . .	02
22	NAS1149FN832P	. WASHER . . . . .	01
23	MS21044N08	. NUT . . . . .	02
		—*—	
24	S11K23RA	. SEAL . . . . . V60980	02
25	S11L-132C	. RING-SPRING . . . . . V60980	02
26	S11L-131C	. RING-SPRING . . . . . V60980	04
27	6361213-17	. PULLEY BRACKET . . . . .	01
28	NAS427K28	. PIN-CABLE GUARD . . . . .	01
29	MS20219-1	. PULLEY . . . . .	02
		. ATTACHING PARTS	
30	AN4-20A	. BOLT . . . . .	01
31	NAS43HT4-36	. SPACER . . . . .	01
32	NAS1149F0463P	. WASHER . . . . .	01
33	MS21044N4	. NUT . . . . .	01
		—*—	

- ITEM NOT ILLUSTRATED

CESSNA®  
**MODEL 525 (SERIALS -0685 AND -0800 AND ON)**  
 ILLUSTRATED PARTS CATALOG

A88546



**DETAIL A**  
 RUDDER TRIM CONTROL SYSTEM  
 FIGURE 01 (SHEET 2)

6310T1168  
 A6362T1077  
 B6362T1077

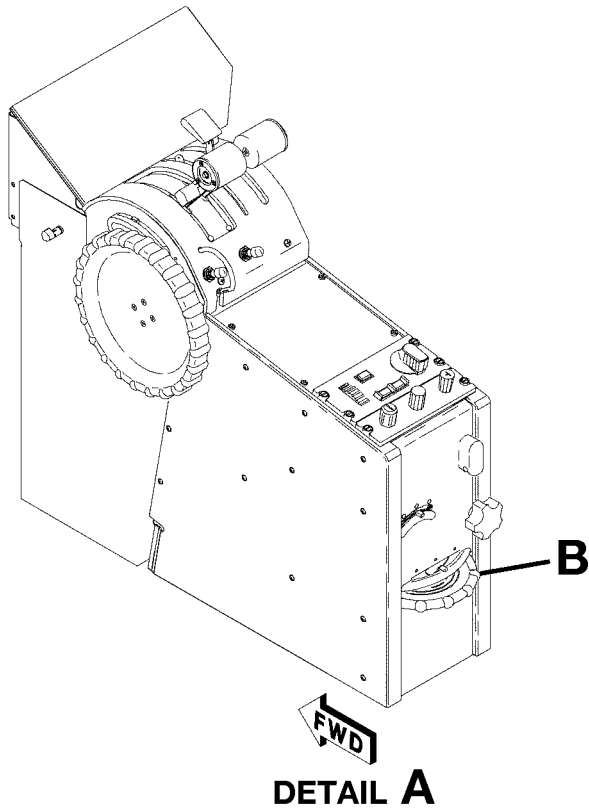
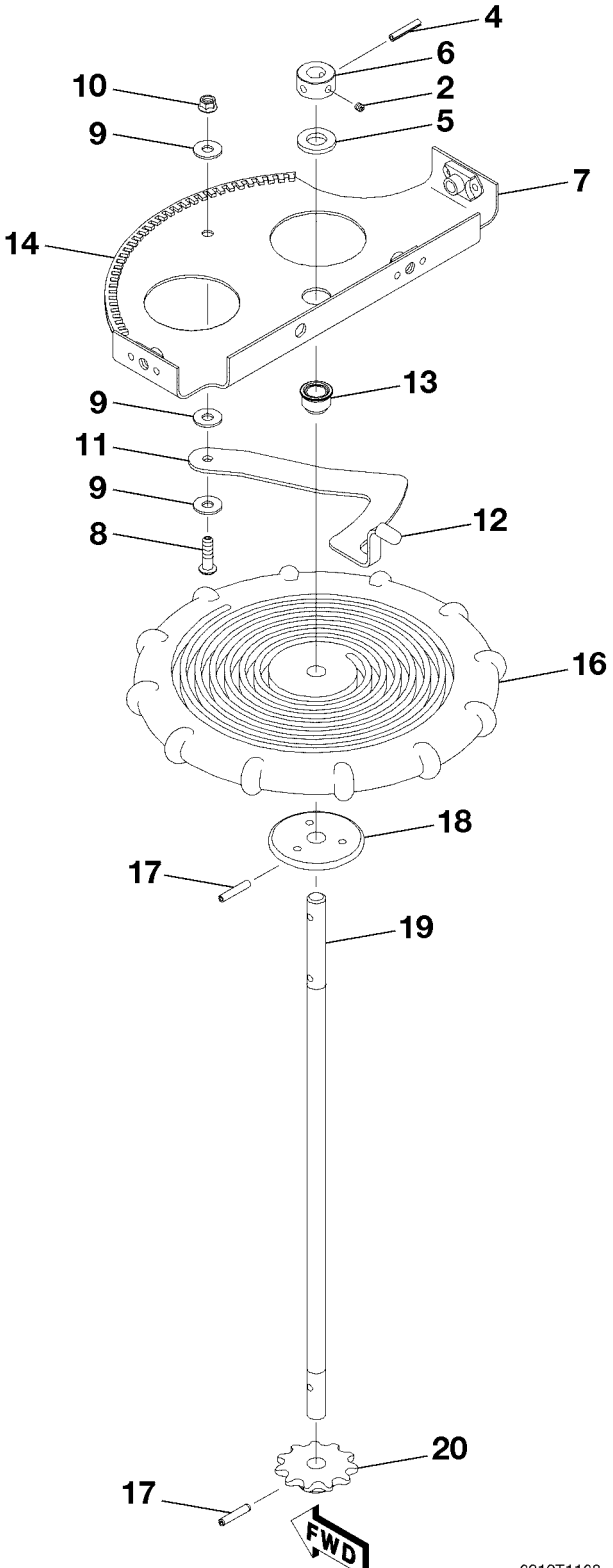
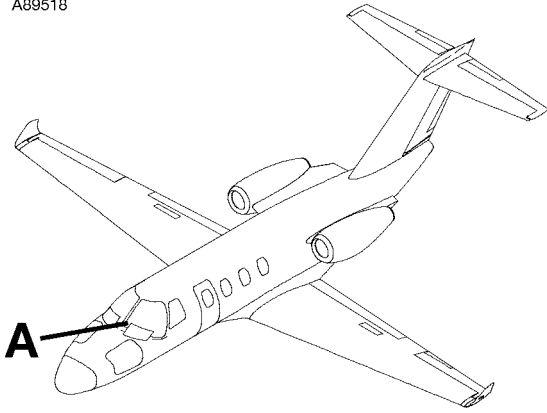
CESSNA®  
**MODEL 525 (SERIALS -0685 AND -0800 AND ON)**  
 ILLUSTRATED PARTS CATALOG

FIG ITEM	PART NUMBER	NOMENCLATURE	UNITS
			PER ASSY
01			
75	6361213-31	. PULLEY BRACKET-LH . . . . .	01
76	6361213-32	. PULLEY BRACKET-RH . . . . .	01
77	NAS427K50	. PIN-CABLE GUARD . . . . .	01
78	MS20219-1	. PULLEY . . . . .	04
		ATTACHING PARTS	
79	AN4-33A	. BOLT . . . . .	01
80	NAS1149F0463P	. WASHER . . . . .	01
81	NAS43HT4-69	. SPACER . . . . .	01
82	MS21044N4	. NUT . . . . .	01
		—*—	
83	5115214-1	. BLOCK . . . . .	02
84	0411524-0	. BUSHING . . . . .	02
85	AN3-6A	. BOLT . . . . .	01
86	ANS25-10R12	. SCREW . . . . .	01
87	NAS1149F0332P	. WASHER . . . . .	02
88	MS21044N3	. NUT . . . . .	02
89	MS21251B2L	. TURNBUCKLE BODY CLIP . . . . .	02
90	MS21256-2	. CLIP . . . . .	04
91	6360001-65	. CABLE ASSY-LH AFT . . . . .	01
92	6360001-64	. CABLE ASSY-RH AFT . . . . .	01
93	6361213-7	. PULLEY BRACKET . . . . .	02
94	NAS427K17	. PIN-CABLE GUARD . . . . .	01
95	6361122-8	. ANGLE . . . . .	02
96	6361213-8	. SHELF-BRACKET SUPPORT . . . . .	01
97	MS20219-1	. PULLEY . . . . .	02
		ATTACHING PARTS	
98	AN4-13A	. BOLT . . . . .	01
99	NAS1149F0416P	. WASHER . . . . .	01
100	MS21044N4	. NUT . . . . .	01
		—*—	
101	S3526-25-89	. CHAIN . . . . .	01
102	S3527-25	. CONNECTING LINK . . . . .	02
103	MS35207-271	. SCREW . . . . .	01
104	NAS43DD3-93FC	. SPACER . . . . .	01
105	6396022-5	. ACTUATOR ASSY-RUDDER TRIM REFER TO NOTE 1 . . . . .	01
		ATTACHING PARTS	
106	MS20074-04-03	. BOLT . . . . .	04
		—*—	
- 107	6361411-7	. PUSHROD ASSY-UPR . . . . .	01
- 108	6361411-9	. PUSHROD ASSY-LWR . . . . .	01
		ATTACHING PARTS	
109	NAS464P3-8	. BOLT . . . . .	02
110	NAS1149F0332P	. WASHER . . . . .	02
111	MS17826-3	. NUT . . . . .	02
112	MS24665-134	. COTTER PIN . . . . .	02
		—*—	
113	6565146-1	. CLEVIS . . . . .	02
114	6565146-2	. CLEVIS-ACTUATOR END . . . . .	01
115	NAS509-4	. NUT-ACTUATOR END . . . . .	01
116	5565440-34	. STUD TAB ROD . . . . .	01
117	NAS509L4	. NUT-ACTUATOR END . . . . .	01
118	6361411-8	. BRAZE ASSY . . . . .	01
- 119	6565146-1	. CLEVIS-TAB END . . . . .	01
120	MS20392-1C65	. PIN . . . . .	01
121	MS24665-132	. COTTER PIN . . . . .	01
122		. TRIM TAB REFER TO 55-20-00 FIGURE 01 . . . . .	RF

NOTE 1—REFER TO COMPONENTS MAINTENANCE MANUAL FOR DETAILS.

CESSNA®  
**MODEL 525 (SERIALS -0685 AND -0800 AND ON)**  
 ILLUSTRATED PARTS CATALOG

A89518



**DETAIL A**

**DETAIL B**

**RUDDER TRIM WHEEL ASSEMBLY**  
 FIGURE 02 (SHEET 1)

6310T1168  
 A6314T1237  
 B6362T1078

CESSNA®  
**MODEL 525 (SERIALS -0685 AND -0800 AND ON)**  
 ILLUSTRATED PARTS CATALOG

FIG ITEM	PART NUMBER	NOMENCLATURE	UNITS
			PER ASSY
		1 2 3 4 5 6 7	
02		RUDDER TRIM WHEEL ASSEMBLY	RF
- 1	6361803-30	. TRIM WHEEL ASSY . . . . .	01
		ATTACHING PARTS	
2	MS27039-0806	. SCREW . . . . .	04
		—*—	
- 3	6361803-22	. . . . . BASE ASSY . . . . .	01
		ATTACHING PARTS	
4	MS16562-25	. . . . . PIN . . . . .	01
5	NAS1149F0463P	. . . . . WASHER . . . . .	01
6	C1-3	. . . . . COLLAR . . . . . V00141	01
		—*—	
7	6361803-18	. . . . . PLATE ASSY . . . . .	01
		ATTACHING PARTS	
8	HL10VBJ4-3	. . . . . PIN . . . . .	01
9	NAS1149EN632R	. . . . . WASHER . . . . .	03
10	NAS1291C06M	. . . . . NUT . . . . .	01
		—*—	
11	6361803-3	. . . . . ARM ASSY . . . . .	01
12	0861100-127	. . . . . TIP . . . . .	01
13	FSD-250	. . . . . BEARING . . . . . V13603	01
14	S1050-1	. . . . . GROMMET-BKI . . . . .	AR
- 15	6361803-29	. . . . . WHEEL ASSY . . . . .	01
16	0510127-5	. . . . . WHEEL . . . . .	01
17	MS16562-25	. . . . . PIN . . . . .	02
18	0411876-1	. . . . . HUB . . . . .	01
19	6361803-28	. . . . . SHAFT . . . . .	01
20	6361803-25	. . . . . SPROCKET . . . . .	01

- ITEM NOT ILLUSTRATED





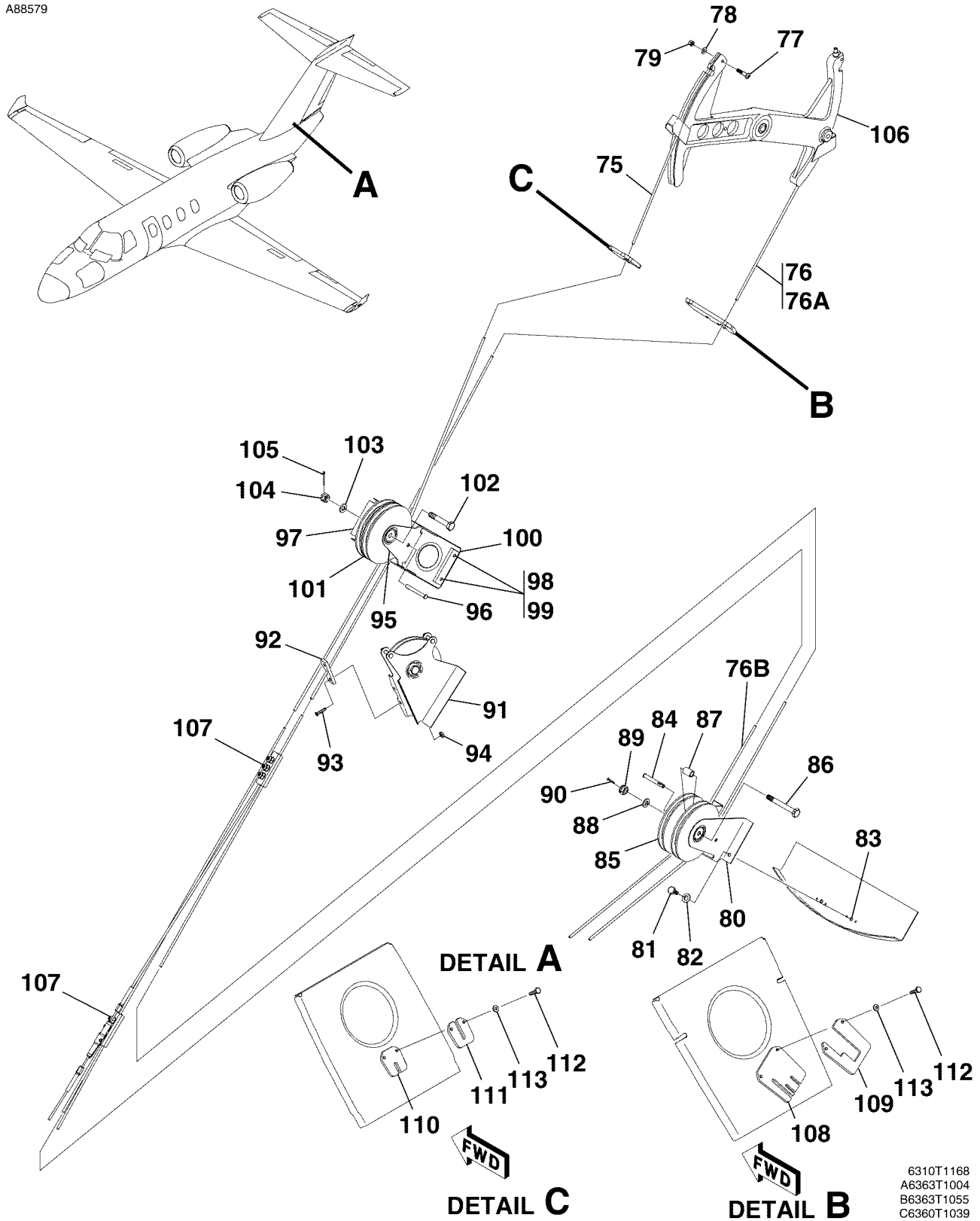
CESSNA®  
**MODEL 525 (SERIALS -0685 AND -0800 AND ON)**  
 ILLUSTRATED PARTS CATALOG

FIG ITEM	PART NUMBER	NOMENCLATURE	UNITS
			PER ASSY
01		ELEVATOR CONTROL SYSTEM	RF
-			
1		. BELLCRANK ASSY REFER TO 27-30-01 FIGURE 01 . . . . .	RF
2	6360001-9	. CABLE ASSY-LH FWD . . . . .	01
3	6360001-10	. CABLE ASSY-RH FWD . . . . .	01
		ATTACHING PARTS	
4	MS27039-0813	. SCREW . . . . .	01
5	NAS1149FN816P	. WASHER . . . . .	01
6	MS21044N08	. NUT . . . . .	01
		—*—	
- 7	6565330-50	. BRACKET ASSY-PULLEY . . . . .	01
8	6565330-10	. . PULLEY BRACKET-UPPER . . . . .	01
9	6565330-51	. . PULLEY BRACKET-LOWER . . . . .	01
10	MS21075L4N	. NUTPLATE . . . . .	01
11	S378-4	. PULLEY . . . . .	01
		ATTACHING PARTS	
12	AN4H15A	. BOLT . . . . .	01
13	NAS43HT4-39	. SPACER . . . . .	01
14	NAS1149F0416P	. WASHER . . . . .	02
15	NAS427K10	. PIN-CABLE GUARD . . . . .	01
		—*—	
16	S11K24R	. SEAL . . . . . V60980	02
17	S11L-162C	. RING . . . . . V60980	02
18	S11L-161C	. RING . . . . . V60980	04
19	6361122-10	. BRACKET-PULLEY . . . . .	01
20	NAS427K34	. PIN-CABLE GUARD . . . . .	01
21	S378-4S	. PULLEY . . . . .	02
		ATTACHING PARTS	
22	AN4-23	. BOLT . . . . .	01
23	NAS1149F0463P	. WASHER . . . . .	01
24	NAS43HT4-56	. SPACER . . . . .	01
25	MS17825-4	. NUT . . . . .	01
26	MS24665-134	. COTTER PIN . . . . .	01
		—*—	
27	6361613-20	. BRACKET ASSY-PULLEY . . . . .	01
		ATTACHING PARTS	
28	MS27039-1-08	. SCREW . . . . .	03
29	NAS1149D0363K	. WASHER . . . . .	03
		—*—	
- 30	MS21075L3N	. . NUTPLATE . . . . .	03
31	S378-4	. PULLEY . . . . .	01
		ATTACHING PARTS	
32	AN4-10	. BOLT . . . . .	01
33	NAS1149F0463P	. WASHER . . . . .	01
34	MS17825-4	. NUT . . . . .	01
35	MS24665-132	. COTTER PIN . . . . .	01
		—*—	
36	NAS427K10	. PIN-CABLE GUARD . . . . .	01
37	MS21251B5L	. TURNBUCKLE BODY . . . . .	02
38	MS21256-2	. CLIP . . . . .	04

- ITEM NOT ILLUSTRATED

CESSNA®  
**MODEL 525 (SERIALS -0685 AND -0800 AND ON)**  
 ILLUSTRATED PARTS CATALOG

A88579



**ELEVATOR CONTROL SYSTEM**  
 FIGURE 01 (SHEET 2)

6310T1168  
 A6363T1004  
 B6363T1055  
 C6360T1039

CESSNA®  
**MODEL 525 (SERIALS -0685 AND -0800 AND ON)**  
 ILLUSTRATED PARTS CATALOG

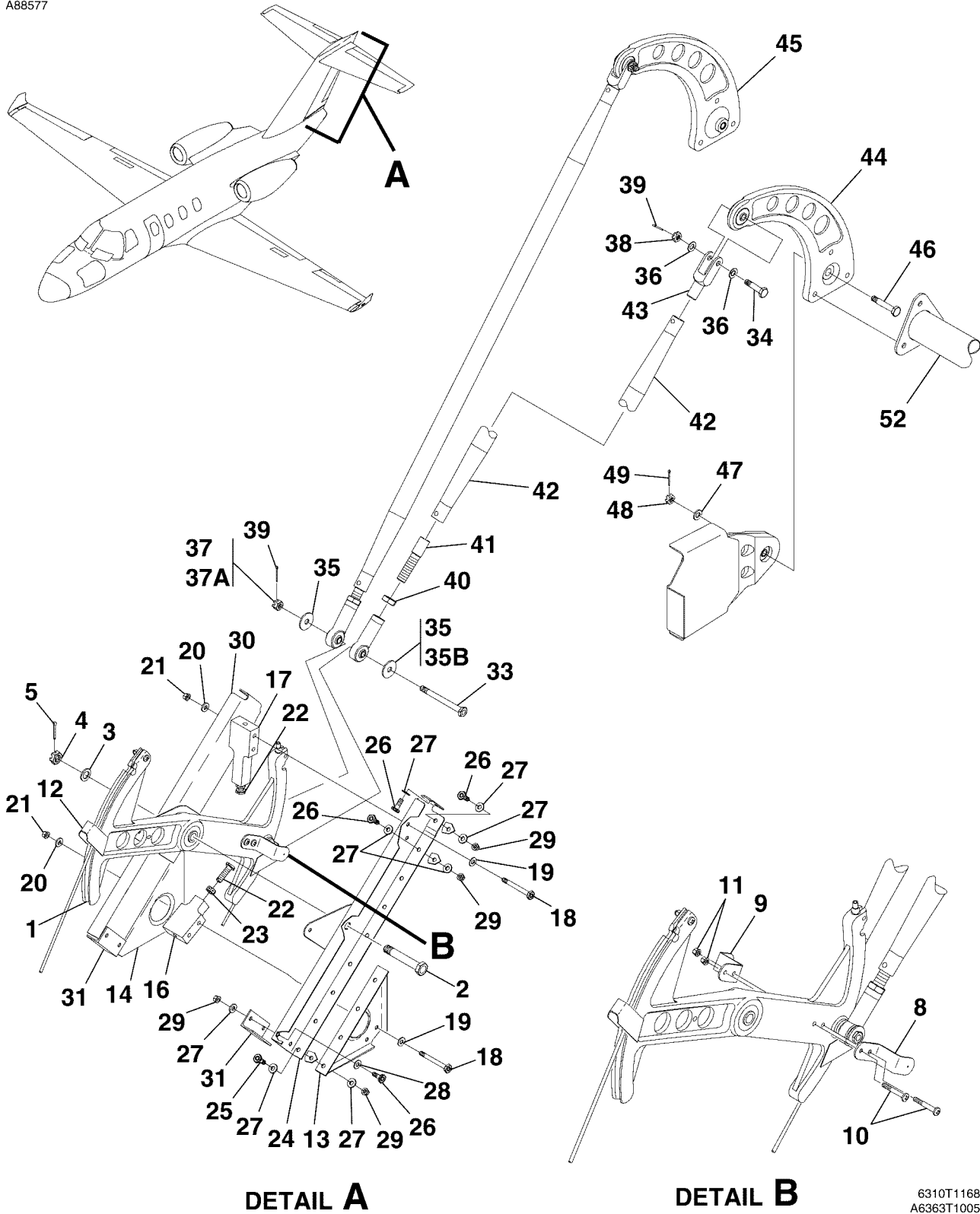
FIG ITEM	PART NUMBER	NOMENCLATURE	UNITS	
			PER	ASSY
01				
75	6360001-11	. CABLE ASSY-LH AFT . . . . .		01
76	6360001-12	. CABLE ASSY-RH AFT REFER TO NOTE 1 . . . . .	0800	0870 01 R
76A	6361011-36	. CABLE ASSY-RH AFT REFER TO NOTE 1 . . . . .	0871	& ON 01 R
76B	6361011-34	. CABLE ASSY-RH MID REFER TO NOTE 1 . . . . .	0871	& ON 01 R
		ATTACHING PARTS		
77	MS27039-0812	. SCREW . . . . .		01
78	NAS1149FN816P	. WASHER . . . . .		01
79	MS21042L08	. NUT . . . . .		01
		—*—		
80	6360315-26	. PULLEY BRACKET . . . . .		01
		ATTACHING PARTS		
81	AN3-4A	. BOLT . . . . .		02
82	NAS1149F0332P	. WASHER . . . . .		02
83	MS21069L3	. NUTPLATE . . . . .		02
		—*—		
84	NAS427K27	. PIN-CABLE GUARD . . . . .		02
85	S378-4	. PULLEY . . . . .		02
		ATTACHING PARTS		
86	AN4-20	. BOLT . . . . .		01
87	NAS43HT4-33	. SPACER . . . . .		01
88	NAS1149F0463P	. WASHER . . . . .		01
89	MS17825-4	. NUT . . . . .		01
90	MS24665-134	. COTTER PIN . . . . .		01
		—*—		
91		. BRACKET-RUDDER CONTROL REFER TO 27-20-00 FIGURE 02 . . . . .		RF
92	6360315-35	. FAIRLEAD-LH . . . . .		01
		ATTACHING PARTS		
93	MS24693-S29	. SCREW . . . . .		02
94	MS21083N06	. NUT . . . . .		02
		—*—		
95	6361122-6	. PULLEY BRACKET . . . . .		01
96	NAS427K19	. PIN-CABLE GUARD . . . . .		01
97	6361122-8	. ANGLE . . . . .		02
		ATTACHING PARTS		
98	HL10VBJ5-3	. PIN-HI-LOK . . . . . V73197		02
99	HL70-5	. COLLAR-HI-LOK . . . . . V73197		02
		—*—		
100	6361122-7	. SHELF-BRACKET SUPPORT . . . . .		01
101	S378-4	. PULLEY . . . . .		02
		ATTACHING PARTS		
102	AN4-14	. BOLT . . . . .		01
103	NAS1149F0463P	. WASHER . . . . .		01
104	MS17825-4	. NUT . . . . .		01
105	MS24665-134	. COTTER PIN . . . . .		01
		—*—		
106		. ELEVATOR CONTROL SYSTEM ASSY-SECTOR ASSY AND HORN REFER TO 27-30-00 FIGURE 02 . . . . .		RF
107		. SERVO-AUTOPILOT REFER TO 22-10-00 FIGURE 01 . . . . .		RF
108	6361103-19	. FAIRLEAD . . . . .		01
109	6361103-20	. RETAINER . . . . .		01
110	6361103-21	. FAIRLEAD . . . . .		01
111	6361103-22	. RETAINER . . . . .		01
		ATTACHING PARTS		
112	MS20033-4	. BOLT . . . . .		02
113	NAS1149C0363R	. WASHER . . . . .		02
		—*—		

NOTE 1—AIRPLANES -0685, -0800 AND ON INCORPORATING SB525-27-24.

R

CESSNA®  
**MODEL 525 (SERIALS -0685 AND -0800 AND ON)**  
 ILLUSTRATED PARTS CATALOG

A88577



**DETAIL A**

**DETAIL B**

6310T1168  
 A6363T1005  
 B6363T1005

ELEVATOR CONTROL SYSTEM - SECTOR ASSEMBLY AND HORN  
 FIGURE 02 (SHEET 1)

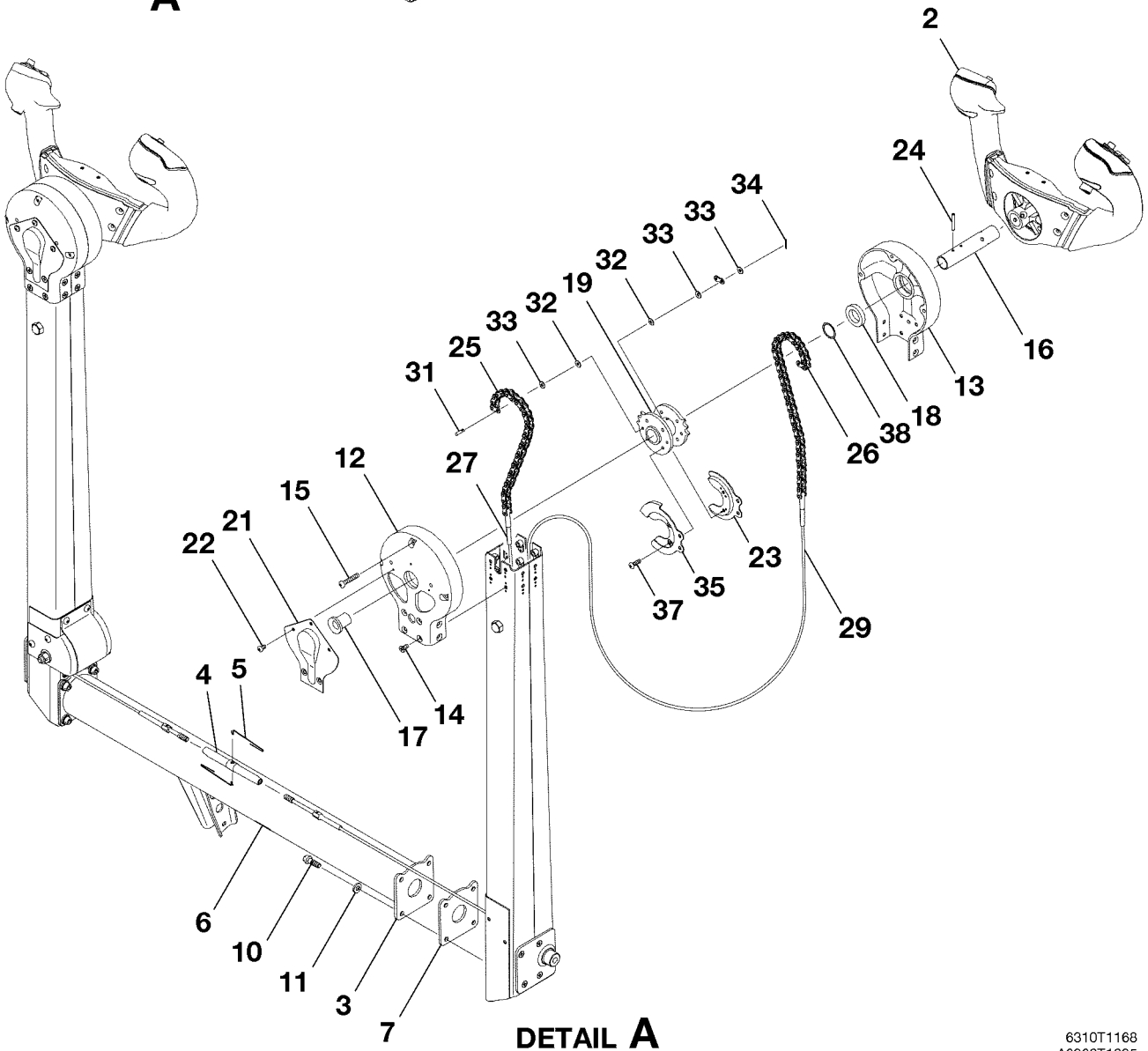
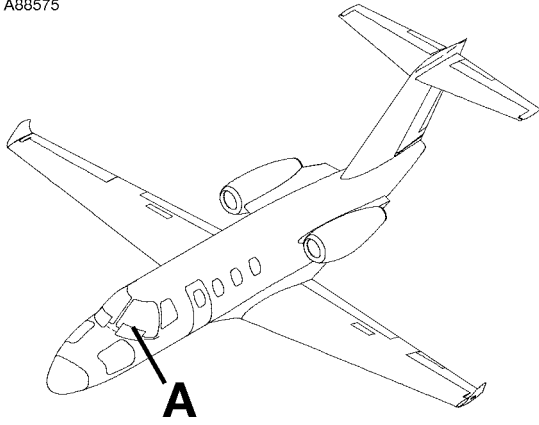
CESSNA®  
**MODEL 525 (SERIALS -0685 AND -0800 AND ON)**  
 ILLUSTRATED PARTS CATALOG

FIG ITEM	PART NUMBER	NOMENCLATURE	UNITS	
			PER	ASSY
02		ELEVATOR CONTROL SYSTEM - SECTOR ASSEMBLY AND HORN		RF
- 1	6361115-3	. SECTOR ASSY-AFT		01
		ATTACHING PARTS		
2	S3461-142	. BOLT		01
3	NAS1149F0663P	. WASHER		03
4	MS17826-6	. NUT		01
5	MS24665-283	. COTTER PIN		01
		—*—		
- 6	MS27647-6	. BEARING		01
- 7	MS27647-6G	. BEARING-ALT FOR MS27647-6		01
8	5565340-13	. CLIP		01
9	5565340-14	. CLIP		01
10	MS27039-0816	. SCREW		02
11	MS21042L08	. NUT		02
12	6565196-1	. CABLE GUARD		02
13	6361105-13	. STOP MOUNT-LH		01
14	6361105-14	. STOP MOUNT-RH		01
- 15	6361105-12	. RADIUS FILLER		01
16	6361105-11	. UP STOP		01
17	6361105-10	. DOWN STOP		01
		ATTACHING PARTS		
18	NAS6203-23H	. BOLT		02
19	NAS1149F0332P	. WASHER		02
20	NAS1149F0363P	. WASHER		02
21	MS21042-3	. NUT		02
		—*—		
22	NAS428H4A7	. BOLT		02
23	NAS509-4	. NUT		02
24	6361105-3	. CHANNEL ASSY-LH		01
		ATTACHING PARTS		
25	NAS6203-4	. BOLT		04
26	NAS6203-3	. BOLT		05
27	NAS1149F0363P	. WASHER		17
28	NAS1149F0332P	. WASHER		01
29	MS21042-3	. NUT		09
		—*—		
30	6361105-2	. CHANNEL ASSY-RH		01
31	6361105-7	. ANGLE		02
- 32	6361119-1	. PUSH ROD ASSY		02
		ATTACHING PARTS		
33	S3461-55	. BOLT		01
34	S3461-141	. BOLT		01
35	S1450-4-14-063	. WASHER	0800 0931	02 R
- 35A	S1450-4-14-063	. WASHER	0932 & ON	01 R
35B	S1450-4-14-032	. WASHER	0932 & ON	01 R
36	NAS1149F0432P	. WASHER		02
37	MS17825-4	. NUT	0800 0931	01 R
37A	MS17826-4	. NUT	0932 & ON	01 R
38	MS17826-4	. NUT		01
39	MS24665-134	. COTTER PIN		02
		—*—		
40	AN316-7R	. NUT		01
41	5565342-4	. ROD		01
42	6361119-2	. TUBE		01
43	5565342-3	. CLEVIS-HORN END		01
44	6361114-1	. HORN ASSY-LH ELEVATOR CONTROL		01
45	6361114-4	. HORN ASSY-RH ELEVATOR CONTROL		01
		ATTACHING PARTS		
46	NAS6204-18D	. BOLT		01
47	NAS1149F0463P	. WASHER		01
48	MS17826-4	. NUT		01
49	MS24665-134	. COTTER PIN		01
		—*—		
- 50	NAS75-4-019	. BUSHING		01
- 51	ASR4-401	. BEARING	V77896	01
52		. ELEVATOR ASSY-REFER TO 55-20-00 FIGURE 01		RF

- ITEM NOT ILLUSTRATED

CESSNA®  
MODEL 525 (SERIALS -0685 AND -0800 AND ON)  
ILLUSTRATED PARTS CATALOG

A88575



**DETAIL A**  
CONTROL COLUMN ASSEMBLY  
FIGURE 01 (SHEET 1)

6310T1168  
A6360T1035

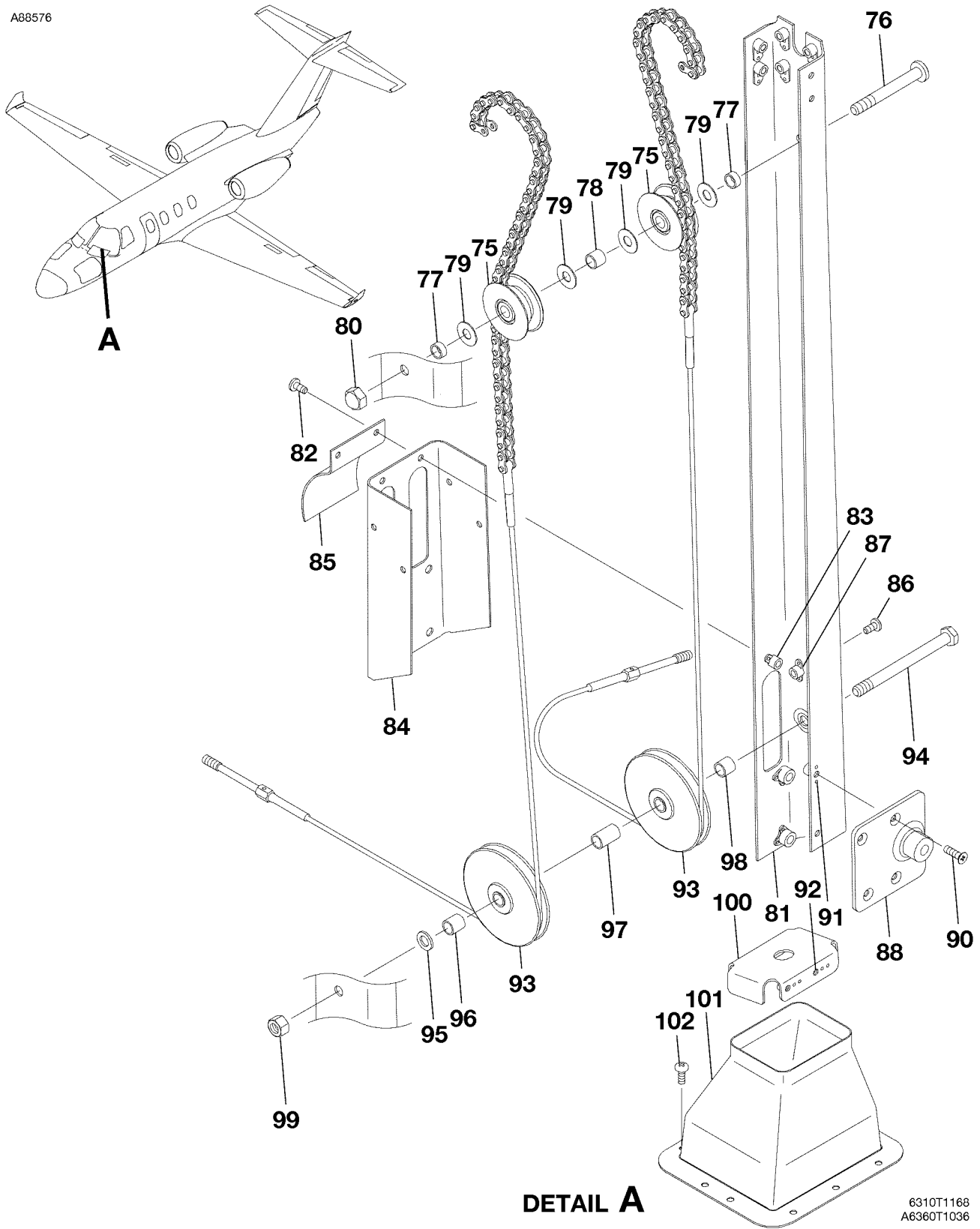
CESSNA®  
**MODEL 525 (SERIALS -0685 AND -0800 AND ON)**  
 ILLUSTRATED PARTS CATALOG

FIG ITEM	PART NUMBER	NOMENCLATURE	UNITS
			PER ASSY
		1 2 3 4 5 6 7	
01		CONTROL COLUMN ASSEMBLY	RF
-		CONTROL COLUMN ASSY . . . . .	01
- 1	6360116-1	CONTROL WHEEL ASSY-REFER TO 27-10-01 FIGURE 01 . . . . .	RF
2		TORQUE TUBE ASSY . . . . .	01
3	6361117-7	TURNBUCKLE BODY . . . . .	01
4	MS21251B5L	CLIP . . . . .	02
5	MS21256-2	RUB STRIP . . . . .	01
6	5565550-50	SHIM . . . . .	AR
7	6360116-2	COLUMN ASSY-LH . . . . .	01
- 8	6360116-3	COLUMN ASSY-RH . . . . .	01
- 9	6360116-4	ATTACHING PARTS	
10	MS20004H4	BOLT . . . . .	04
11	MS20002C4	WASHER . . . . .	04
		—*—	
12	5565516-4	DRUM COVER ASSY-FWD . . . . .	01
13	5565516-3	DRUM COVER ASSY-AFT . . . . .	01
		ATTACHING PARTS	
14	MS24694-S48	SCREW . . . . .	08
15	MS27039-1-18	SCREW . . . . .	03
		—*—	
16	5565509-3	SHAFT . . . . .	01
17	9654610-2	BUSHING . . . . .	02
18	9654610-3	BUSHING . . . . .	02
19	6361535-5	SPROCKET-LH . . . . .	01
- 20	6361535-6	SPROCKET-RH . . . . .	01
21	5565502-54	COVER . . . . .	01
		ATTACHING PARTS	
22	MS24693-S1	SCREW . . . . .	03 R
		—*—	
23	6361535-11	GUARD ASSY . . . . .	02
24	MS16562-38	PIN . . . . .	02
25	S2295P35-43	CHAIN . . . . .	01
26	S2295P35-37	CHAIN . . . . .	01
27	6360001-87	CABLE ASSY-LH CROSSOVER . . . . .	01
- 28	6360001-86	CABLE ASSY-RH CROSSOVER . . . . .	01
29	6360001-89	CABLE ASSY-LH AILERON . . . . .	01
- 30	6360001-98	CABLE ASSY-RH AILERON . . . . .	01
31	7282*BA	OFFSET BOLT . . . . . V72625	02
32	NAS1149FN616P	WASHER . . . . .	04
33	NAS1149FN632P	WASHER . . . . .	06
34	MS24665-69	COTTER PIN . . . . .	02
35	6360106-11	GUARD-LH . . . . .	02
- 36	6360106-12	GUARD-RH . . . . .	02
		ATTACHING PARTS	
37	MS27039-0809	SCREW . . . . .	04
		—*—	
38	5565550-30	SPACER . . . . .	01

- ITEM NOT ILLUSTRATED

CESSNA®  
MODEL 525 (SERIALS -0685 AND -0800 AND ON)  
ILLUSTRATED PARTS CATALOG

A88576



**DETAIL A**

CONTROL COLUMN ASSEMBLY  
FIGURE 01 (SHEET 2)

6310T1168  
A6360T1036



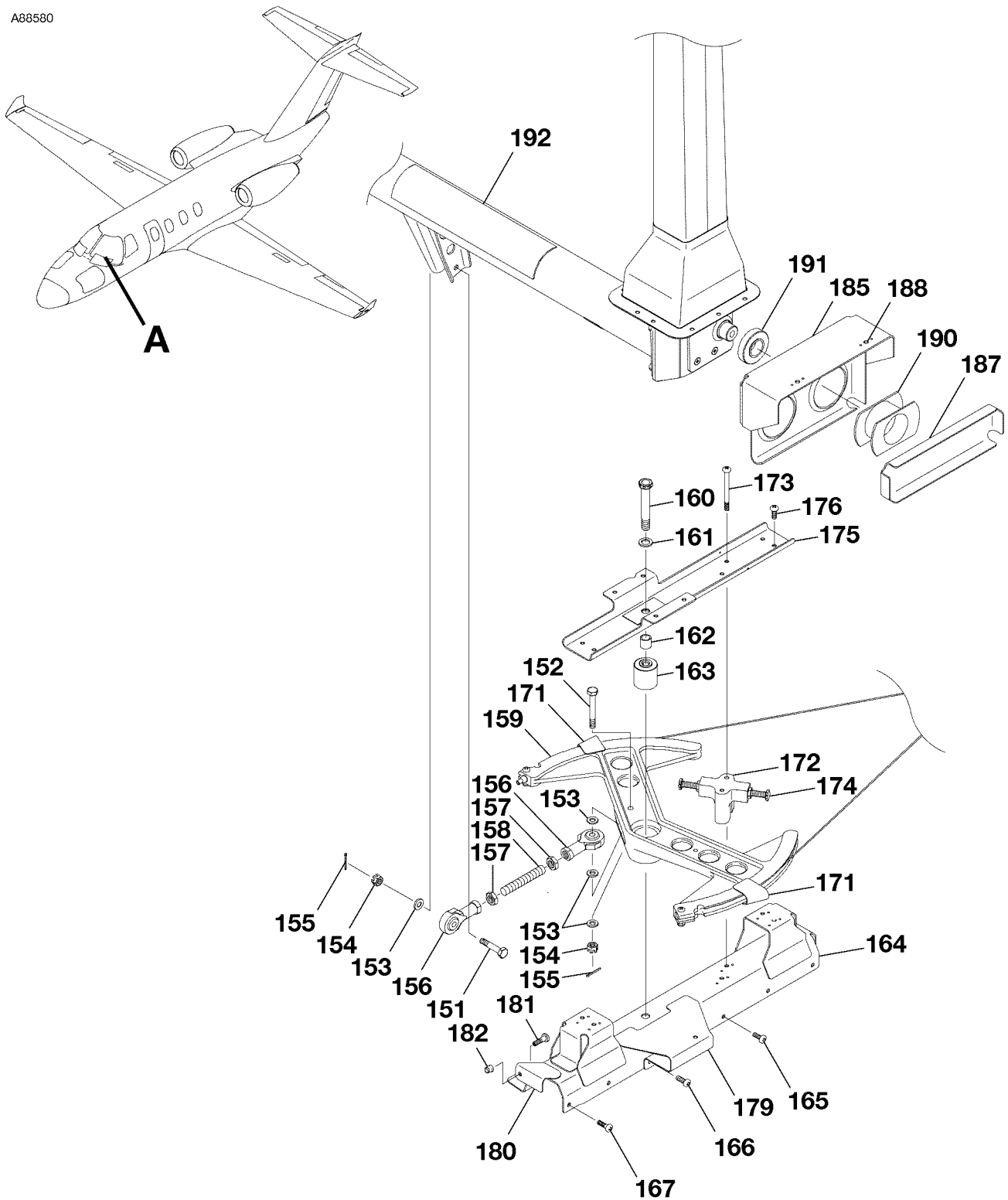
CESSNA®  
**MODEL 525 (SERIALS -0685 AND -0800 AND ON)**  
 ILLUSTRATED PARTS CATALOG

FIG ITEM	PART NUMBER	NOMENCLATURE	UNITS
			PER ASSY
01			
75	6361535-14	. . . PULLEY ASSY . . . . . ATTACHING PARTS	02
76	MS27039-5-40	. . . SCREW . . . . .	01
77	NAS43HT5-12	. . . SPACER . . . . .	02
78	NAS43HT5-24	. . . SPACER . . . . .	01
79	6361535-13	. . . WASHER . . . . .	04
80	CM3224-5	. . . NUT . . . . . —*—	01
81	6360106-4	. . . WELD ASSY . . . . . ATTACHING PARTS	01
82	MS27039-1-06	. . . SCREW . . . . .	02
83	MS21069L3	. . . NUTPLATE . . . . . —*—	02
84	5565550-46	. . . DOUBLER . . . . .	01
85	5565550-29	. . . COVER ASSY . . . . . ATTACHING PARTS	01
86	MS27039-1-06	. . . SCREW . . . . .	04
87	MS21069L3	. . . NUTPLATE . . . . . —*—	04
88	5565507-3	. . . PIVOT PIN-LH . . . . .	01
- 89	5565507-4	. . . PIVOT PIN-RH . . . . . ATTACHING PARTS	01
90	MS24694-S52	. . . SCREW . . . . .	04
91	MS21069L3	. . . NUTPLATE . . . . .	02
92	MS21071L3	. . . NUTPLATE . . . . . —*—	02
93	MS20220-2	. . . PULLEY . . . . . ATTACHING PARTS	02
94	AN5-34A	. . . BOLT . . . . .	01
95	NAS1149F0563P	. . . WASHER . . . . .	01
96	NAS43HT5-29	. . . SPACER . . . . .	01
97	NAS43HT5-45	. . . SPACER . . . . .	01
98	NAS43HT5-25	. . . SPACER . . . . .	01
99	MS21044N5	. . . NUT . . . . . —*—	01
100	5565550-79	. . . BRACKET . . . . .	01
101	5565512-6	. . . BOOT ASSY . . . . . ATTACHING PARTS	02
102	MS27039-1-07	. . . SCREW . . . . . —*—	10
- 103	MS27981-1B	. . . BUTTON . . . . .	03
- 104	MS27981-3B	. . . SOCKET . . . . .	03
- 105	MS27981-4B	. . . STUD . . . . .	03
- 106	MS27981-5B	. . . EYELET . . . . .	03

- ITEM NOT ILLUSTRATED

CESSNA®  
MODEL 525 (SERIALS -0685 AND -0800 AND ON)  
ILLUSTRATED PARTS CATALOG

A88580



**DETAIL A**

CONTROL COLUMN ASSEMBLY  
FIGURE 01 (SHEET 3)

6310T1168  
A6360T1037

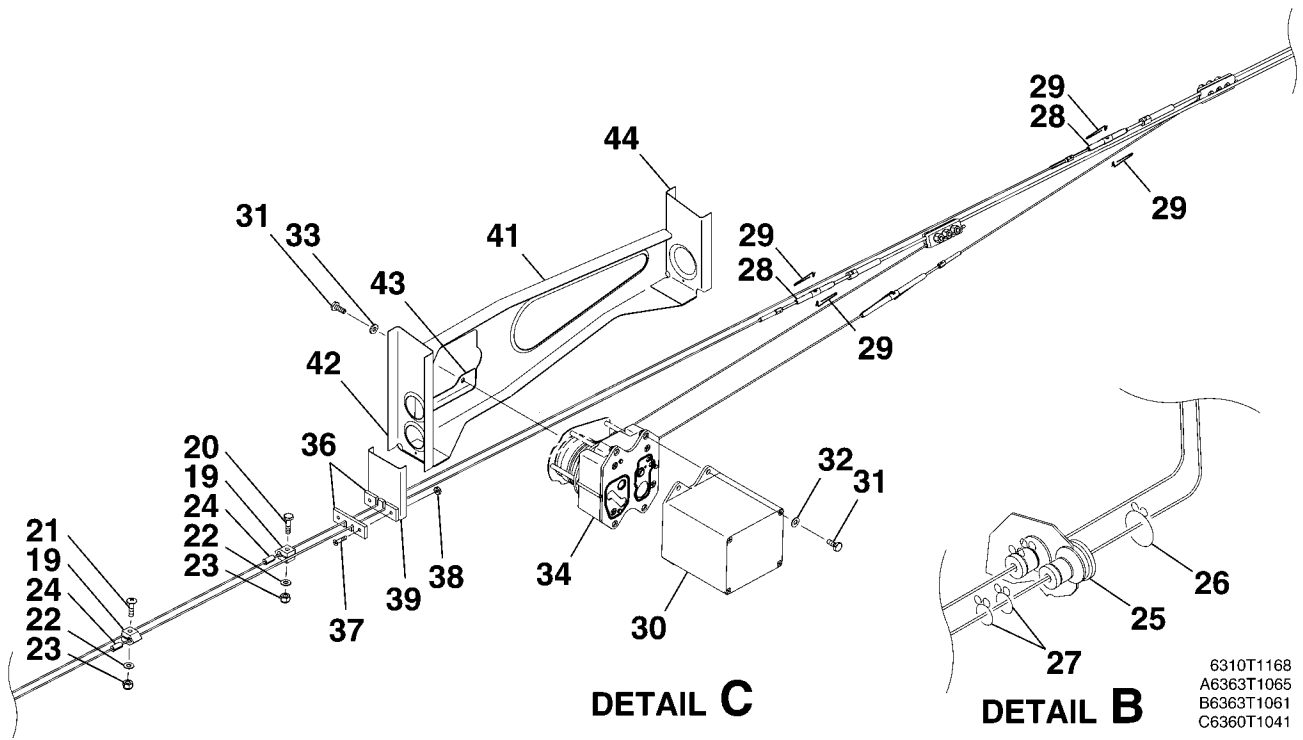
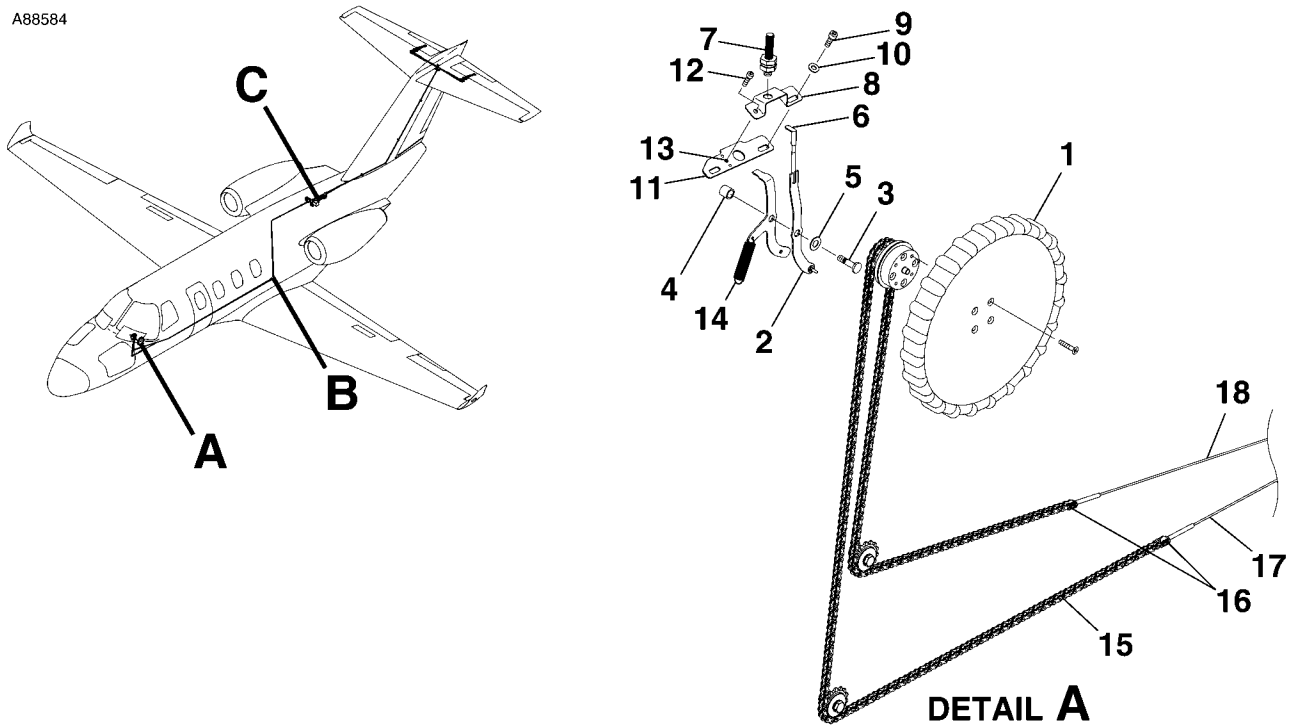
CESSNA®  
**MODEL 525 (SERIALS -0685 AND -0800 AND ON)**  
 ILLUSTRATED PARTS CATALOG

FIG ITEM	PART NUMBER	NOMENCLATURE	UNITS
			PER ASSY
		1 2 3 4 5 6 7	
01			
- 150	6361118-1	. LINK ASSY . . . . .	01
		. ATTACHING PARTS	
151	NAS6204-13D	. BOLT . . . . .	01
152	NAS6204-23D	. BOLT . . . . .	01
153	NAS1149F0463P	. WASHER . . . . .	06
154	MS17825-4	. NUT . . . . .	02
155	MS24665-134	. COTTER PIN . . . . .	02
		—*—	
156	ARR4FFNH	. . BEARING . . . . . V77896	02
157	AN316-6R	. . NUT . . . . .	02
158	6361118-2	. . ROD . . . . .	01
159	6361116-1	. SECTOR ASSY-FWD . . . . .	01
		. ATTACHING PARTS	
160	NAS6606H31	. BOLT . . . . .	01
161	NAS1149F0663P	. WASHER . . . . .	01
162	NAS43DD6-29FC	. SPACER . . . . .	01
		—*—	
163	MS27647-6	. . BEARING . . . . .	01
164	6361121-23	. SUPPORT ASSY-LWR . . . . .	01
		. ATTACHING PARTS	
165	MS27039-1-08	. SCREW . . . . .	04
166	MS27039-1-09	. SCREW . . . . .	02
167	MS27039-1-10	. SCREW . . . . .	01
		—*—	
- 168	MS21078-3	. . NUTPLATE . . . . .	07
- 169	MS21078-6	. . NUTPLATE . . . . .	01
- 170	MS21071L3	. . NUTPLATE . . . . .	02
171	6361121-13	. CABLE GUARD . . . . .	02
172	6361121-21	. STOP BLOCK . . . . .	01
		. ATTACHING PARTS	
173	MS27039-1-35	. SCREW . . . . .	02
		—*—	
174	NAS428H4A14	. BOLT . . . . .	02
175	6361705-24	. SECTOR SUPPORT ASSY-UPR . . . . .	01
		. ATTACHING PARTS	
176	MS27039-1-08	. SCREW . . . . .	04
		—*—	
- 177	MS21060-3	. . NUTPLATE . . . . .	03
- 178	MS21062-3	. . NUTPLATE . . . . .	01
179	6361121-10	. RIG PIN BRACKET . . . . .	01
180	6361121-11	. CLIP . . . . .	01
		. ATTACHING PARTS	
181	HL18PB5-3	. PIN-HI-LOK . . . . . V73197	01
182	HL70-5	. COLLAR-HI-LOK . . . . . V73197	01
		—*—	
- 183	5565502-37	. BEARING SUPPORT ASSY-LH . . . . .	01
- 184	5565502-36	. BEARING SUPPORT ASSY-RH . . . . .	01
185	5565502-43	. . BRACKET ASSY-LH . . . . .	01
- 186	5565502-46	. . BRACKET ASSY-RH . . . . .	01
187	5565502-44	. . BRACKET . . . . .	01
188	MS21059L3	. . NUTPLATE . . . . .	02
- 189	5565508-3	. . PIVOT BEARING ASSY . . . . .	01
190	5565508-4	. . HOUSING . . . . .	01
191	MS27641-12	. . BEARING . . . . .	01
192	6361121-22	. RUBBER STRIP . . . . .	01

- ITEM NOT ILLUSTRATED

CESSNA®  
**MODEL 525 (SERIALS -0685 AND -0800 AND ON)**  
 ILLUSTRATED PARTS CATALOG

A88584



ELEVATOR TRIM CONTROL SYSTEM - CABLES  
 FIGURE 01 (SHEET 1)

6310T1168  
 A6363T1065  
 B6363T1061  
 C6360T1041

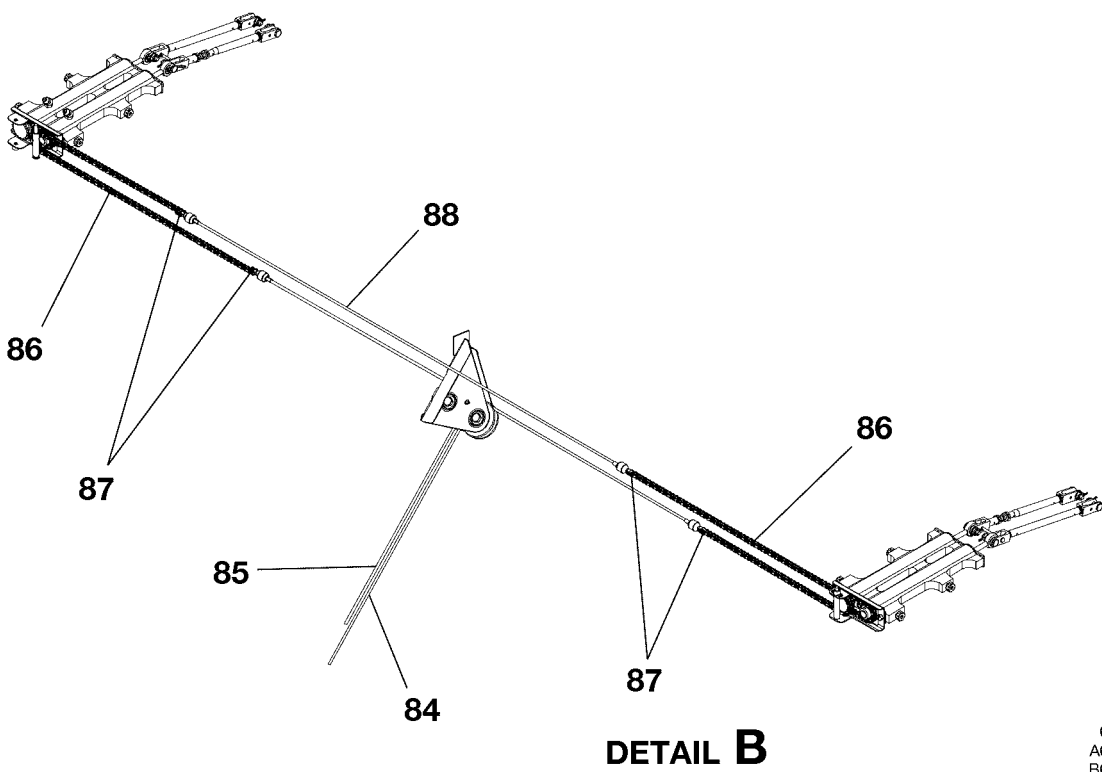
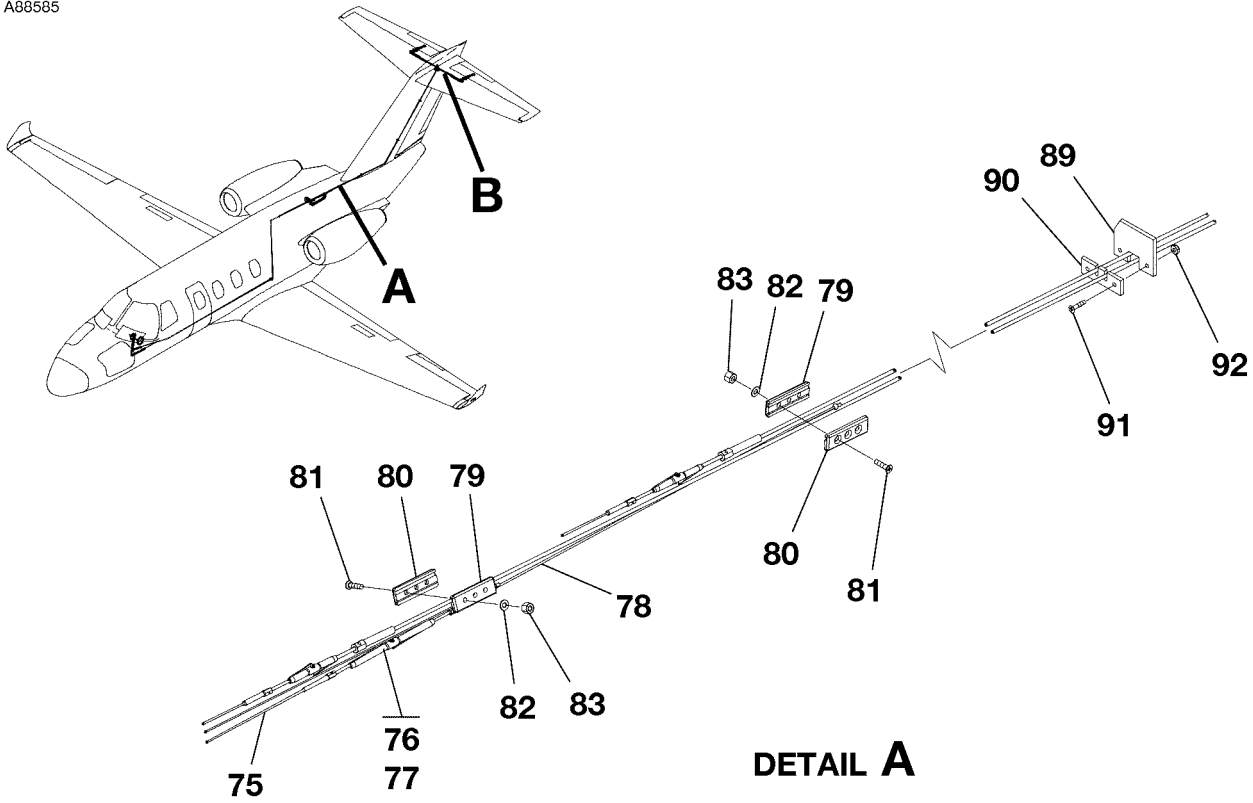
CESSNA®  
**MODEL 525 (SERIALS -0685 AND -0800 AND ON)**  
 ILLUSTRATED PARTS CATALOG

FIG ITEM	PART NUMBER	NOMENCLATURE	UNITS	
			PER ASSY	
01		ELEVATOR TRIM CONTROL SYSTEM - CABLES	RF	
-		. WHEEL ASSY-ELEVATOR TRIM REFER TO 27-30-02 FIGURE 02	RF	
2	6361009-8	. POINTER ASSY-TRIM INDICATOR	01	
		ATTACHING PARTS		
3	NAS1160-3-7	. BOLT	01	
4	NAS43HT4-19	. SPACER	01	
5	NAS1149F0432P	. WASHER	01	
		—*—		
6	6360847-2	. INDICATOR-ELEVATOR TRIM	01	
7	BI2-EG08-AN6X	. PROXIMITY SWITCH	V61526	
8	6360847-7	. SPRING BRACKET	01	
		ATTACHING PARTS		
9	NAS1352-08-8	. SCREW	02	
10	NAS1149FN832P	. WASHER	02	
		—*—		
11	6361011-18	. BRACKET-SWITCH SUPPORT	01	
		ATTACHING PARTS		
12	NAS1352-06-8	. SCREW	01	
13	MS21070L06	. NUTPLATE	01	
		—*—		
14	S2952-56	. SPRING	01	
15	S3526-25-239	. CHAIN	01	
16	S3527-25	. CONNECTING LINK	02	
17	6360001-107	. CABLE ASSY-LH FWD	01	
18	6361011-21	. CABLE ASSY-RH FWD	01	
19	5115214-1	. BLOCK	02	
20	AN3-6A	. BOLT	01	
21	AN525-10R12	. SCREW	01	
22	NAS1149F0332P	. WASHER	02	
23	MS21044N3	. NUT	02	
24	0411524-0	. BUSHING	02	
25	S11K-23RA	. SEAL	V60980	
26	S11L-132C	. SEAL	V60980	
27	S11L-131C	. RING	V60980	
28	MS21251-B2S	. TURNBUCKLE BODY CLIP	02	
29	MS21256-1	. CLIP	04	
30	011-00878-20	. ACTUATOR ASSY-SERVO-ELEVATOR TRIM	V0TRC3	
		ATTACHING PARTS		
31	AN3-4A	. BOLT	08	
32	NAS1149F0332P	. WASHER	04	
33	NAS1149F0363P	. WASHER	04	
		—*—		
34	011-02490-17	. ACTUATOR MOUNT ASSY-SERVO	V0TRC3	
-	35	011-01028-08	. STANDOFF KIT	V0TRC3
36	6361220-6	. FAIRLEAD	04 R	
		ATTACHING PARTS		
37	MS24693-S29	. SCREW	02 R	
38	MS21083N06	. NUT	02 R	
		—*—		
39	6361221-2	. FAIRLEAD BRACKET	02 R	
-	40	6361011-1	. BRACKET ASSY-FWD	01 R
41	6361011-3	. ELEVATOR TRIM BRACKET	01 R	
42	6361011-15	. BRACKET-FWD	01 R	
43	6361011-2	. MOUNTING ZEE	02 R	
44	6361220-3	. BRACKET-AFT	01 R	

- ITEM NOT ILLUSTRATED

CESSNA®  
**MODEL 525 (SERIALS -0685 AND -0800 AND ON)**  
 ILLUSTRATED PARTS CATALOG

A88585



**ELEVATOR TRIM CONTROL SYSTEM - CABLES**  
 FIGURE 01 (SHEET 2)

6310T1168  
 A6363T1061  
 B6363T1061

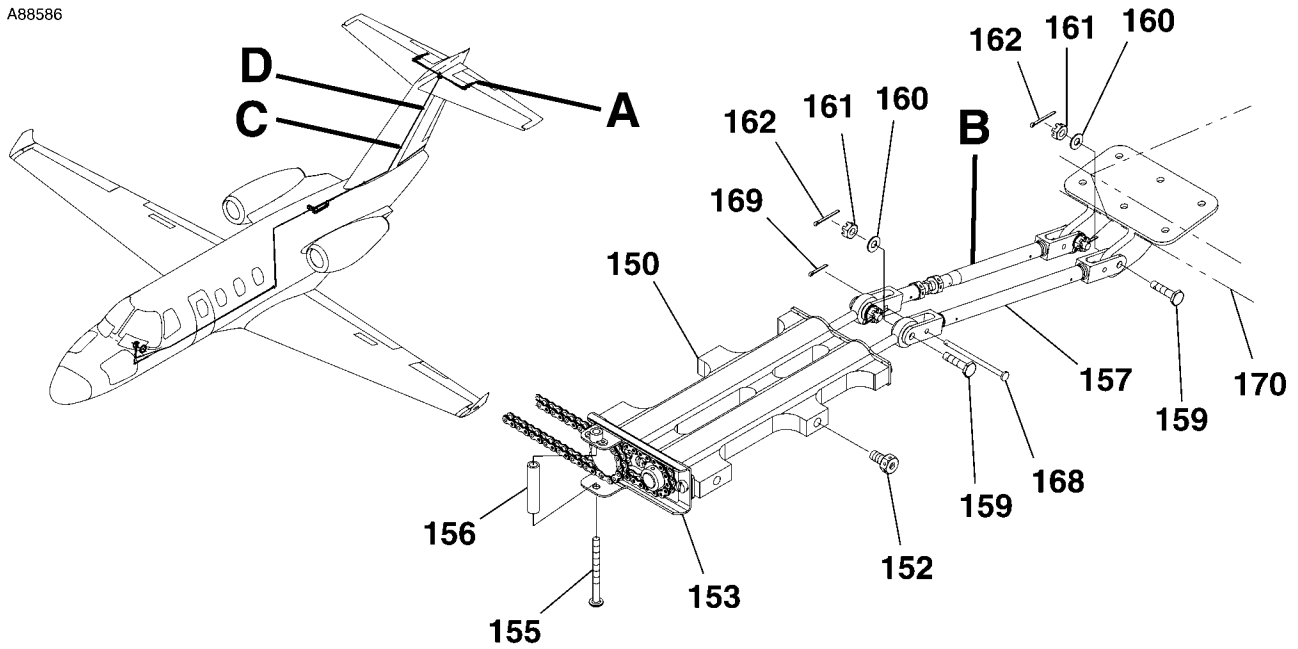
CESSNA®  
**MODEL 525 (SERIALS -0685 AND -0800 AND ON)**  
 ILLUSTRATED PARTS CATALOG

FIG ITEM	PART NUMBER	NOMENCLATURE	UNITS PER ASSY		
			1	2	3
01					
75	6361011-11	. CABLE ASSY-FWD . . . . .			01
76	MS21251-B2L	. TURNBUCKLE BODY CLIP . . . . .			01
77	MS21256-2	. CLIP . . . . .			02
78	6361011-12	. CABLE ASSY . . . . .			01
79	6361010-5	. CLAMP BLOCK-HALF . . . . .	0800	0971	02 R
- 79A	6361011-39	. CLAMP BLOCK-HALF . . . . .	0972	& ON	02 R
80	6361010-6	. CLAMP BLOCK-HALF . . . . .	0800	0971	02 R
- 80A	6361011-40	. CLAMP BLOCK-HALF . . . . .	0972	& ON	02 R
		ATTACHING PARTS			
81	MS24694-C7	. SCREW . . . . .			03
82	NAS1149FN816P	. WASHER . . . . .			03
83	MS21044N08	. NUT . . . . .			03
		—*—			
84	6361006-7	. CABLE ASSY LH AFT . . . . .			01
85	6361006-8	. CABLE ASSY RH AFT . . . . .			01
86	S3526-25-109	. CHAIN . . . . .			02
87	S3527-25	. CONNECTING LINK . . . . .			04
88	6361006-3	. CABLE ASSY-CROSSOVER . . . . .			01
89	6361220-14	. FAIRLEAD BRACKET . . . . .			01
90	6361220-15	. FAIRLEAD . . . . .			01
		ATTACHING PARTS			
91	MS24693-S29	. SCREW . . . . .			02
92	MS21083N06	. NUT . . . . .			02
		—*—			

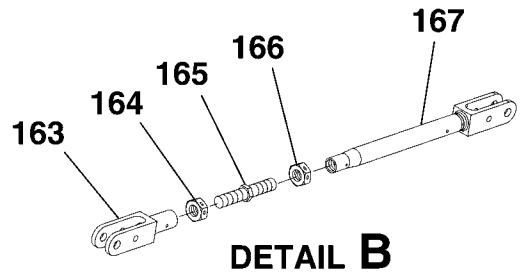
- ITEM NOT ILLUSTRATED

CESSNA®  
**MODEL 525 (SERIALS -0685 AND -0800 AND ON)**  
 ILLUSTRATED PARTS CATALOG

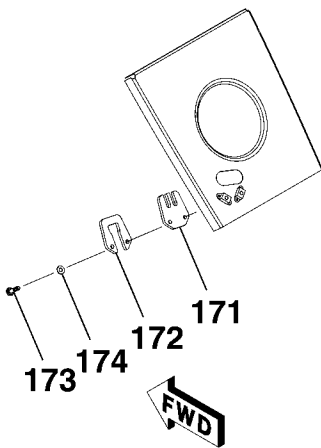
A88586



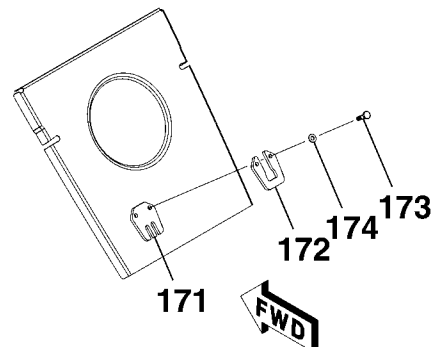
**DETAIL A**



**DETAIL B**



**DETAIL D**



**DETAIL C**

ELEVATOR TRIM CONTROL SYSTEM - CABLES  
 FIGURE 01 (SHEET 3)

6310T1168  
 A6363T1061  
 B6363T1061  
 C6363T1055  
 D6363T1055



CESSNA®  
**MODEL 525 (SERIALS -0685 AND -0800 AND ON)**  
 ILLUSTRATED PARTS CATALOG

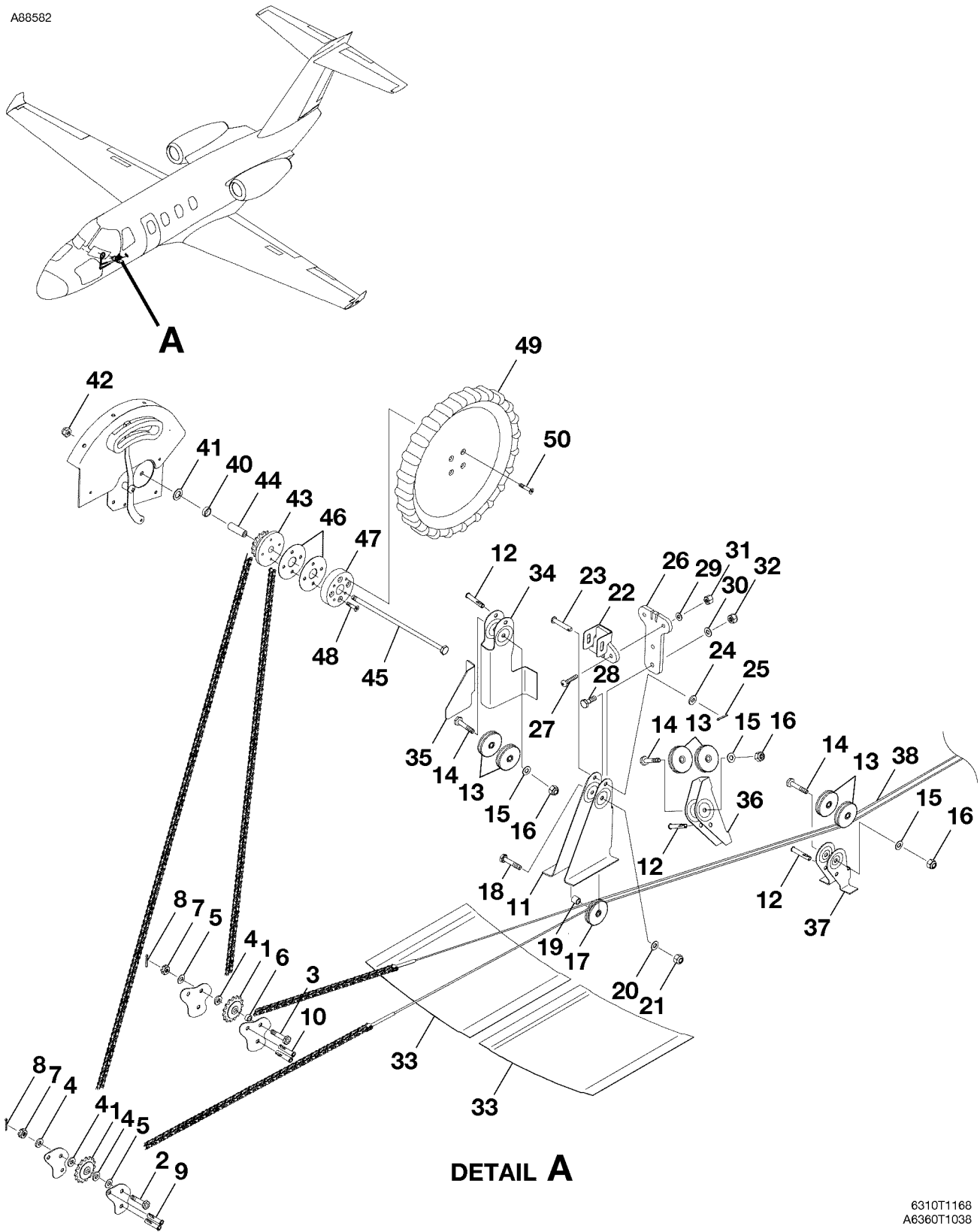
FIG ITEM	PART NUMBER	NOMENCLATURE	UNITS
			PER ASSY
01			
150	6396022-3	. ACTUATOR ASSY-LH REFER TO NOTE 1 . . . . .	01
- 151	6396022-4	. ACTUATOR ASSY-RH REFER TO NOTE 1 . . . . .	01
		ATTACHING PARTS	
152	MS20074-04-03	. BOLT . . . . .	04
		—*—	
153	6361215-9	. . CHAIN GUARD ASSY-LH . . . . .	01
- 154	6361215-10	. . CHAIN GUARD ASSY-RH . . . . .	01
155	MS35207-271	. SCREW . . . . .	02
156	NAS43DD3-93FC	. SPACER . . . . .	02
- 156A	NAS43DD3-93N	. SPACER ALT FOR NAS43DD3-93FC . . . . .	02 R
157	6361212-11	. PUSHROD ASSY-OUTBOARD . . . . .	02 R
- 158	6361212-12	. PUSHROD ASSY-INBOARD . . . . .	02 R
		ATTACHING PARTS	
159	NAS464P3-8	. BOLT . . . . .	02 R
160	NAS1149F0332P	. WASHER . . . . .	02 R
161	MS17826-3	. NUT . . . . .	02 R
162	MS24665-134	. COTTER PIN . . . . .	02 R
		—*—	
163	6565146-2	. . CLEVIS-INBOARD . . . . .	01 R
164	NAS509-4	. . NUT-INBOARD . . . . .	01 R
165	5565440-34	. . STUD TAB ROD-INBOARD . . . . .	01 R
166	NAS509L4	. . NUT-INBOARD . . . . .	01 R
167	6361212-13	. . BRAZE ASSY-INBOARD . . . . .	01 R
168	MS20392-1C65	. PIN . . . . .	02 R
169	MS24665-132	. COTTER PIN . . . . .	02 R
170		. TAB ASSY REFER TO 55-20-00 FIGURE 01 . . . . .	RF R
171	6361203-25	. FAIRLEAD . . . . .	02 R
172	6361203-27	. RETAINER . . . . .	02 R
		ATTACHING PARTS	
173	MS20033-4	. BOLT . . . . .	02 R
174	NAS1149C0363R	. WASHER . . . . .	02 R
		—*—	

NOTE 1—REFER TO COMPONENT MAINTENANCE MANUAL FOR DETAILS.

R

CESSNA®  
MODEL 525 (SERIALS -0685 AND -0800 AND ON)  
ILLUSTRATED PARTS CATALOG

A88582



ELEVATOR TRIM CONTROL SYSTEM - PULLEYS AND BRACKETS  
FIGURE 02 (SHEET 1)

6310T1168  
A6360T1038

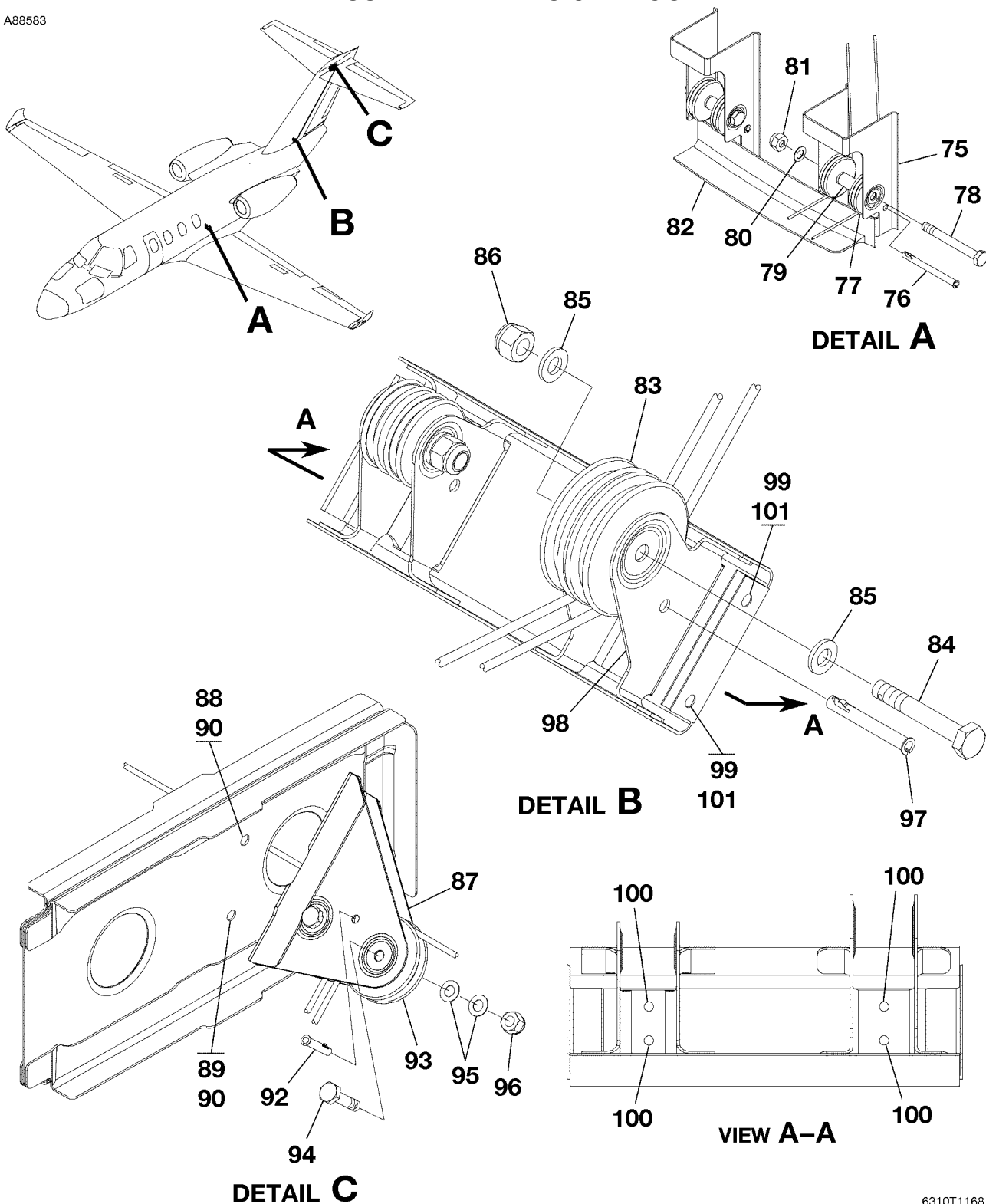
CESSNA®  
**MODEL 525 (SERIALS -0685 AND -0800 AND ON)**  
 ILLUSTRATED PARTS CATALOG

FIG ITEM	PART NUMBER	NOMENCLATURE	UNITS	
			PER ASSY	
02		ELEVATOR TRIM CONTROL SYSTEM - PULLEYS AND BRACKETS	RF	
-		. SPROCKET ASSY . . . . .	02	
1	6260264-1	. ATTACHING PARTS		
2	NAS6203-9D	. BOLT-FWD . . . . .	01	
3	NAS6203-10D	. BOLT-AFT . . . . .	01	
4	NAS1149F0363P	. WASHER . . . . .	AR	
5	NAS1149F0316P	. WASHER . . . . .	01	
6	NAS43DD3-10FC	. SPACER-AFT . . . . .	01	
7	MS17826-3	. NUT . . . . .	01	
8	MS24665-132	. COTTER PIN . . . . .	01	
		—*—		
9	NAS427K9	. PIN-FWD . . . . .	02	
10	NAS427K10	. PIN-AFT . . . . .	02	
11	6361613-6	. BRACKET . . . . .	01	
12	NAS427K13	. PIN-CABLE GUARD . . . . .	03	
13	S378-1	. PULLEY . . . . .	06	
		. ATTACHING PARTS		
14	AN3-10A	. BOLT . . . . .	01	
15	NAS1149F0332P	. WASHER . . . . .	01	
16	MS21044N3	. NUT . . . . .	01	
		—*—		
17	S378-1	. PULLEY . . . . .	01	
		. ATTACHING PARTS		
18	AN3-10A	. BOLT . . . . .	01	
19	NAS43HT3-19	. SPACER . . . . .	01	
20	NAS1149F0332P	. WASHER . . . . .	01	
21	MS21044N3	. NUT . . . . .	01	
		—*—		
22	6361011-23	. FAIRLEAD ASSY . . . . .	01	
		. ATTACHING PARTS		
23	MS20392-2C31	. PIN . . . . .	01	
24	NAS1149F0363P	. WASHER . . . . .	01	
25	MS24665-132	. COTTER PIN . . . . .	01	
		—*—		
26	6361011-22	. FAIRLEAD . . . . .	01	
		. ATTACHING PARTS		
27	MS27039-0813	. SCREW . . . . .	02	
28	AN3-5A	. BOLT . . . . .	02	
29	NAS1149FN832P	. WASHER . . . . .	02	
30	NAS1149F0332P	. WASHER . . . . .	02	
31	MS21044N08	. NUT . . . . .	02	
32	MS21044N3	. NUT . . . . .	02	
		—*—		
33	6361613-11	. DOUBLER . . . . .	02	
34	6361613-18	. BRACKET . . . . .	01	
35	6361613-19	. BRACKET . . . . .	01	
36	6361613-3	. BRACKET . . . . .	01	
37	6361613-5	. BRACKET . . . . .	01	
38		. ELEVATOR TRIM CONTROL SYSTEM-CABLES REFER TO 27-30-01 FIGURE 01 . . . . .	RF	
-	39	6361203-19	. WHEEL ASSY . . . . .	01
		. ATTACHING PARTS		
40	NAS43HT5-9	. SPACER . . . . .	01	
41	NAS1149F0532P	. WASHER . . . . .	01	
42	MS21044N3	. NUT . . . . .	01	
		—*—		
43	5565116-1	. SPROCKET ASSY . . . . .	01	
44	5565755-4	. BEARING . . . . .	01	
45	AN3-57	. BOLT . . . . .	01	
46	6661042-16	. SHIM . . . . .	02	
47	6360847-13	. ADAPTOR . . . . .	01	
48	MS24693-S29	. SCREW . . . . .	04	
49	6361009-1	. ELEVATOR TRIM WHEEL . . . . .	01	
		. ATTACHING PARTS		
50	MS24693-S30	. SCREW . . . . .	04	
		—*—		

- ITEM NOT ILLUSTRATED

CESSNA®  
**MODEL 525 (SERIALS -0685 AND -0800 AND ON)**  
 ILLUSTRATED PARTS CATALOG

A88583



ELEVATOR TRIM CONTROL SYSTEM - PULLEYS AND BRACKETS  
 FIGURE 02 (SHEET 2)

6310T1168  
 A6315T1158  
 AA6315T1158  
 B6315T1158

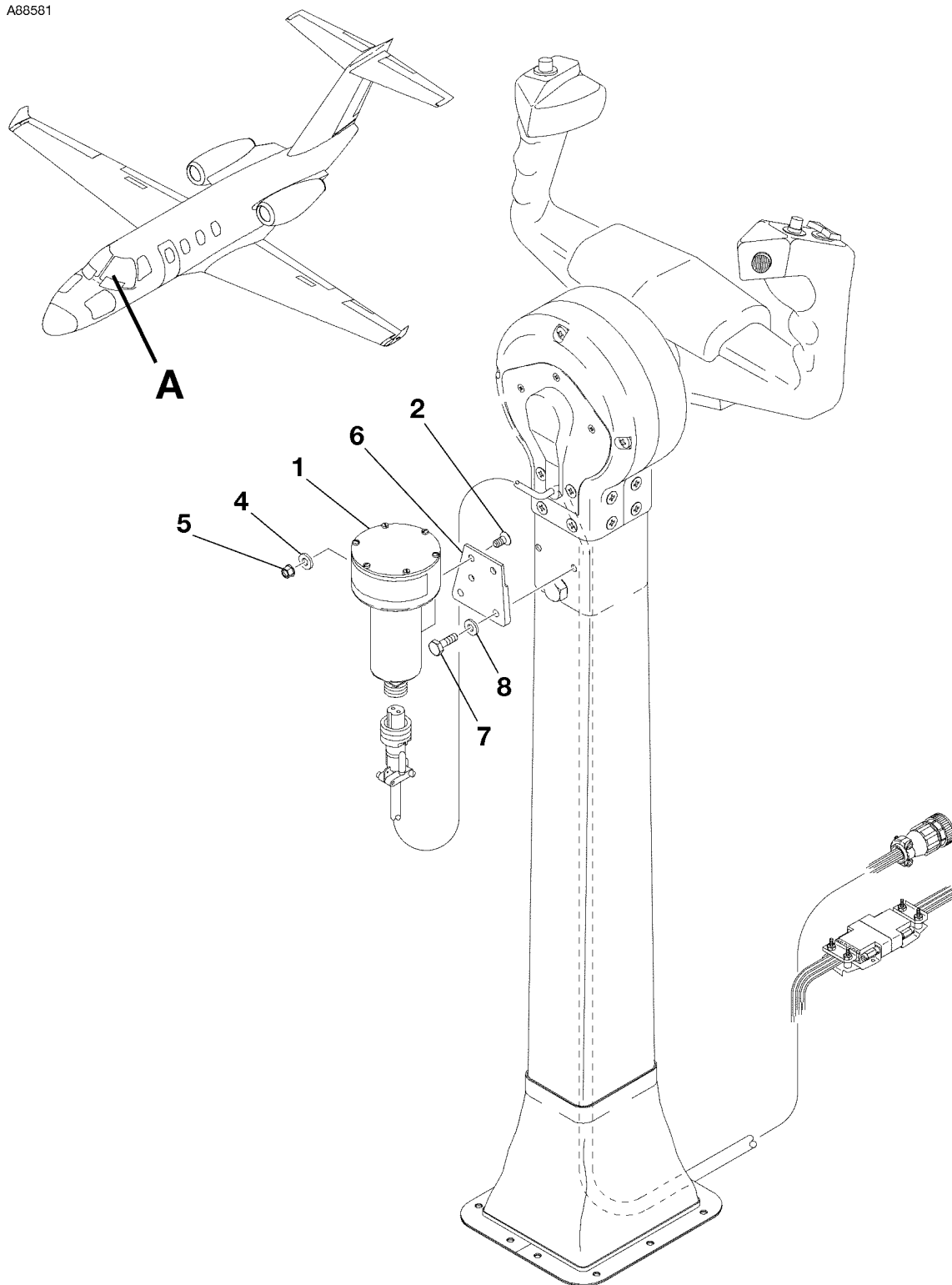
CESSNA®  
**MODEL 525 (SERIALS -0685 AND -0800 AND ON)**  
 ILLUSTRATED PARTS CATALOG

FIG ITEM	PART NUMBER	NOMENCLATURE	UNITS
			PER ASSY
		1 2 3 4 5 6 7	
02			
75	6361213-18	. PULLEY BRACKET-LWR . . . . .	01
76	NAS427K30	. PIN-CABLE GUARD . . . . .	01
77	MS20219-1	. PULLEY . . . . .	02
		. ATTACHING PARTS	
78	AN4-22A	. BOLT . . . . .	01
79	NAS43HT4-52	. SPACER . . . . .	01
80	NAS1149F0463P	. WASHER . . . . .	01
81	MS21044N4	. NUT . . . . .	01
		—*—	
82	6361213-28	. ANGLE . . . . .	01
83	S3504-1	. PULLEY-LOW FRICTION . . . . .	02
		. ATTACHING PARTS	
84	AN4-14A	. BOLT . . . . .	01
85	NAS1149F0416P	. WASHER . . . . .	02
86	MS21044N4	. NUT . . . . .	01
		—*—	
87	6361213-37	. PULLEY BRACKET . . . . .	01
		. ATTACHING PARTS	
88	HL10VBJ5-4	. PIN-HI-LOK . . . . . V73197	02
89	HL10VBJ5-5	. PIN-HI-LOK . . . . . V73197	01
90	HL70-5	. COLLAR-HI-LOK . . . . . V73197	03
- 91	S3191-08	. NUT-ALT FOR HL70-5 . . . . .	03
		—*—	
- 91A	6361213-22	. DOUBLER . . . . .	01
92	NAS427K11	. PIN-CABLE GUARD . . . . .	01
93	S3504-1	. PULLEY-LOW FRICTION . . . . .	02
		. ATTACHING PARTS	
94	AN4-10A	. BOLT . . . . .	01
95	NAS1149F0416P	. WASHER . . . . .	02
96	MS21044N4	. NUT . . . . .	01
		—*—	
97	NAS427K19	. PIN-CABLE GUARD . . . . .	01
98	6361213-33	. PULLEY BRACKET . . . . .	01
		. ATTACHING PARTS	
99	HL10VBJ5-3	. PIN-HI-LOK . . . . . V73197	04
100	NAS7035H02	. PIN . . . . .	04
101	HL70-5	. COLLAR-HI-LOK . . . . . V73197	04
- 102	S3191-08	. NUT-ALT FOR HL70-5 . . . . .	04
		—*—	

- ITEM NOT ILLUSTRATED

CESSNA®  
MODEL 525 (SERIALS -0685 AND -0800 AND ON)  
ILLUSTRATED PARTS CATALOG

A88581



**DETAIL A**

STICK SHAKER SYSTEM  
FIGURE 01 (SHEET 1)

6310T1168  
A6315T1026

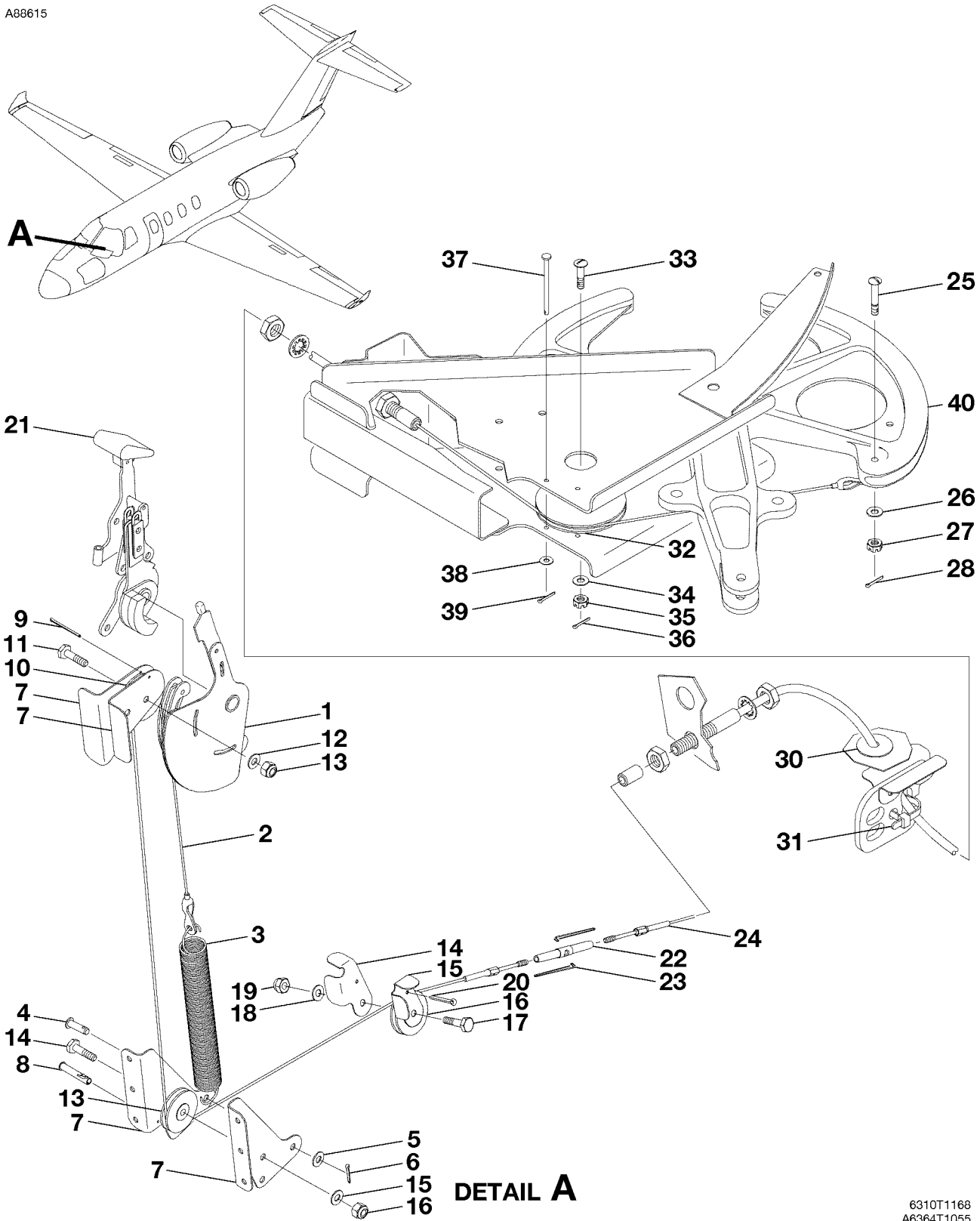
CESSNA®  
**MODEL 525 (SERIALS -0685 AND -0800 AND ON)**  
 ILLUSTRATED PARTS CATALOG

FIG ITEM	PART NUMBER	1 2 3 4 5 6 7	NOMENCLATURE	UNITS PER ASSY
01				
-			STICK SHAKER SYSTEM	RF
1	201		. SHAKER . . . . . V83326	02
			ATTACHING PARTS	
2	MS24694-S53		. SCREW-UPR . . . . .	01
- 3	MS24694-S54		. SCREW-LWR . . . . .	01
4	NAS1149F0363P		. WASHER . . . . .	02
5	MS21042L3		. NUT . . . . .	02
			—*—	
6	5596500-7		. MOUNTING PLATE . . . . .	02
			ATTACHING PARTS	
7	AN3-5A		. BOLT . . . . .	03
8	NAS1149F0363P		. WASHER . . . . .	03
- 9	MS35489-1		. GROMMET . . . . .	01
- 10	MS21071L3		. NUTPLATE . . . . .	02
			—*—	

- ITEM NOT ILLUSTRATED

CESSNA®  
**MODEL 525 (SERIALS -0685 AND -0800 AND ON)**  
 ILLUSTRATED PARTS CATALOG

A88615



**DETAIL A**

FLAP CONTROL SYSTEM  
 FIGURE 01 (SHEET 1)

6310T1168  
 A6364T1055



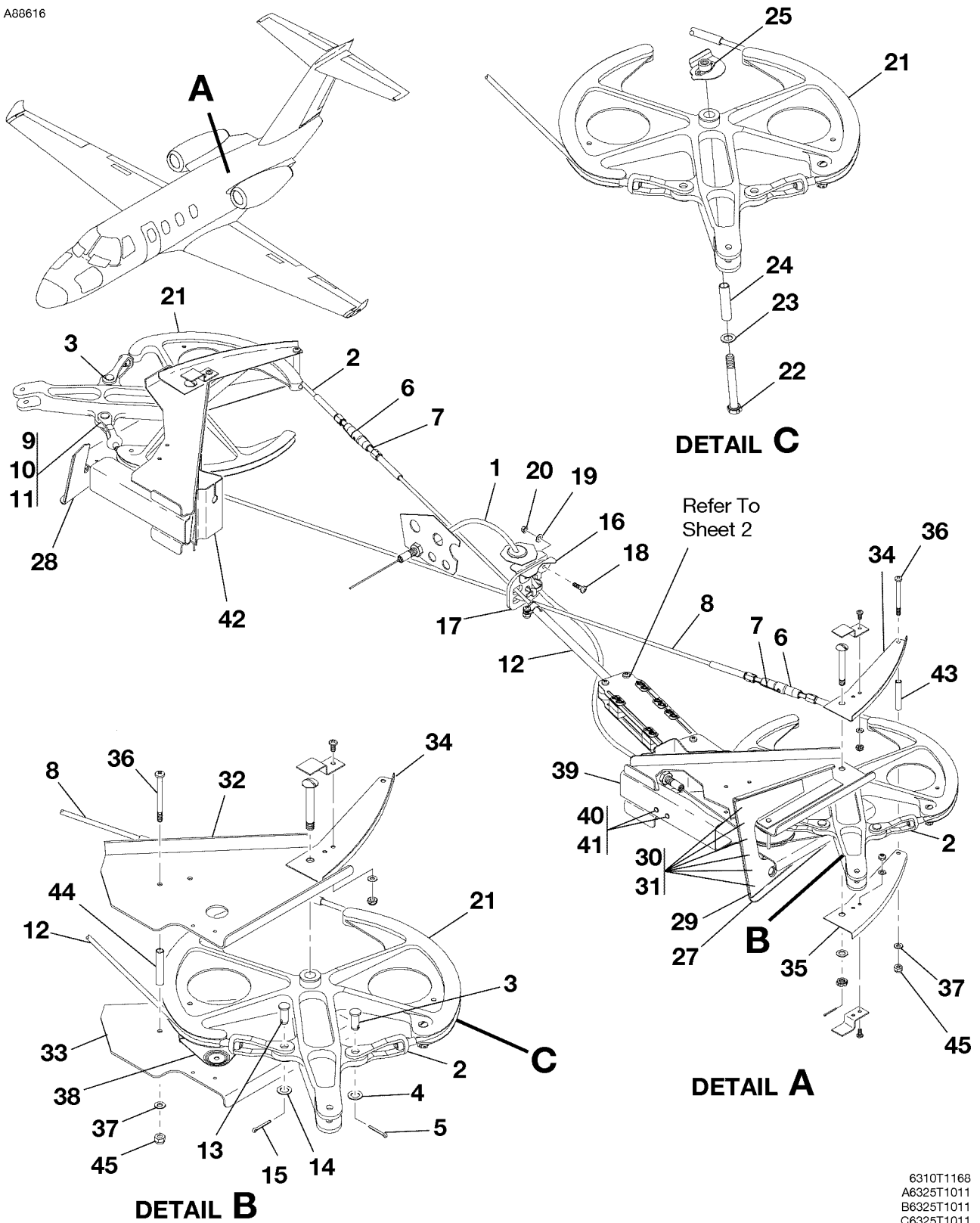
CESSNA®  
**MODEL 525 (SERIALS -0685 AND -0800 AND ON)**  
 ILLUSTRATED PARTS CATALOG

FIG ITEM	PART NUMBER	NOMENCLATURE	UNITS
			PER ASSY
		1 2 3 4 5 6 7	
01		FLAP CONTROL SYSTEM	RF
-		. CONTROL QUADRANT-REFER TO 76-10-01 FIGURE 01	RF
1		. CABLE ASSY	01
2	6365128-1	. SPRING	01
3	S2868-1	. ATTACHING PARTS	
4	MS20392-2C15	. PIN	01
5	NAS1149F0332P	. WASHER	01
6	MS24665-132	. COTTER PIN	01
		—*—	
7		. BRACKET-REFER TO 53-20-04 FIGURE 01	RF
8	NAS427K7	. PIN	02
9	MS24665-136	. COTTER PIN	02
10	S378-1L	. PULLEY	02
		. ATTACHING PARTS	
11	AN3-6A	. BOLT	01
12	NAS1149F0332P	. WASHER	01
13	MS21044N3	. NUT	01
		—*—	
14	6365037-2	. BRACKET-OUTBD	01
15	6365037-3	. BRACKET-INBD	01
16	S378-1L	. PULLEY	01
		. ATTACHING PARTS	
17	AN3-6A	. BOLT	01
18	NAS1149F0332P	. WASHER	01
19	MS21044N3	. NUT	01
20	MS24665-283	. COTTER PIN	01
		—*—	
21		. LEVER-FLAP PRESELECT-REFER TO 76-10-01 FIGURE 02	RF
22	MS21251-B2S	. TURNBUCKLE BODY CLIP	01
23	MS21256-1	. CLIP	02
24	6365029-1	. CABLE ASSY	01
		. ATTACHING PARTS	
25	AN23-17	. BOLT	01
26	NAS1149F0332P	. WASHER	01
27	AN320-3	. NUT	01
28	MS24665-132	. COTTER PIN	01
		—*—	
- 29	MS35333-42	. LOCK WASHER	01
30	MS35489-7	. GROMMET	01
31	MS3367-1-9	. STRAP-TIE	02
32	S378-2	. PULLEY	01
		. ATTACHING PARTS	
33	AN23-12	. BOLT	01
34	NAS1149F0332P	. WASHER	01
35	AN320-3	. NUT	01
36	MS24665-132	. COTTER PIN	01
		—*—	
37	MS20392-1C61	. PIN	01
38	NAS1149FN432P	. WASHER	01
39	MS24665-132	. COTTER PIN	01
40		. FLAP CONTROL SYSTEM INTERCONNECT-REFER TO 27-50-00 FIGURE 02	RF

- ITEM NOT ILLUSTRATED

CESSNA®  
**MODEL 525 (SERIALS -0685 AND -0800 AND ON)**  
 ILLUSTRATED PARTS CATALOG

A88616



FLAP CONTROL SYSTEM INTERCONNECT  
 FIGURE 02 (SHEET 1)

6310T1168  
 A6325T1011  
 B6325T1011  
 C6325T1011

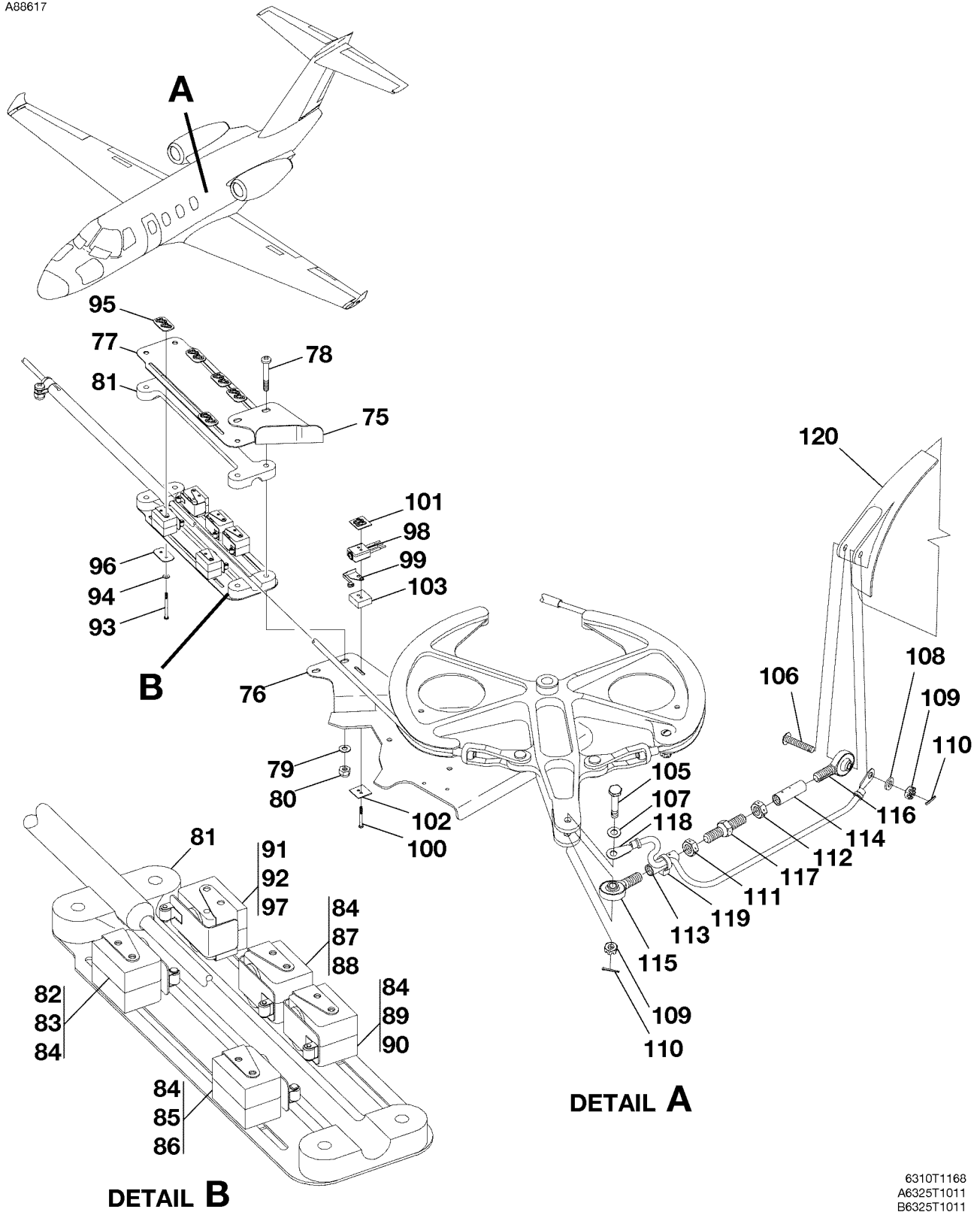
CESSNA®  
**MODEL 525 (SERIALS -0685 AND -0800 AND ON)**  
 ILLUSTRATED PARTS CATALOG

FIG ITEM	PART NUMBER	NOMENCLATURE	UNITS
			PER ASSY
		1 2 3 4 5 6 7	
02		FLAP CONTROL SYSTEM INTERCONNECT	RF
-		. FLAP CONTROL SYSTEM-REFER TO 27-50-00 FIGURE 01 . . . . .	RF
1		. CABLE ASSY . . . . .	02
2	6365034-1	. ATTACHING PARTS	
3	MS20392-4C17	. PIN . . . . .	01
4	NAS1149F0532P	. WASHER . . . . .	01
5	MS24665-283	. COTTER PIN . . . . .	01
		—*—	
6	MS21251B6S	. TURNBUCKLE BODY CLIP-BARREL . . . . .	02
7	MS21256-1	. CLIP . . . . .	04
8	6365034-3	. CABLE ASSY . . . . .	01
		. ATTACHING PARTS	
9	MS20392-4C17	. PIN . . . . .	01
10	NAS1149F0532P	. WASHER . . . . .	01
11	MS24665-283	. COTTER PIN . . . . .	01
		—*—	
12	6365034-5	. CABLE ASSY . . . . .	01
		. ATTACHING PARTS	
13	MS20392-4C17	. PIN . . . . .	01
14	NAS1149F0532P	. WASHER . . . . .	01
15	MS24665-283	. COTTER PIN . . . . .	01
		—*—	
16	6365033-3	. BRACKET-FAIRLEAD . . . . .	02
17	6365033-2	. FAIRLEAD . . . . .	01
		. ATTACHING PARTS	
18	MS27039-1-10	. SCREW . . . . .	02
19	NAS1149F0332P	. WASHER . . . . .	04
20	MS21042L3	. NUT . . . . .	02
		—*—	
21	6365130-3	. FLAP BELLCRANK ASSY . . . . .	02
		. ATTACHING PARTS	
22	AN5H23A	. BOLT . . . . .	01
23	NAS1149F0563P	. WASHER . . . . .	01
24	6365127-7	. SECTOR SPACER . . . . .	01
25	MS21069-5	. NUTPLATE . . . . .	01
		—*—	
- 26	M81934/2-06A016	. BEARING . . . . .	02
27	6365032-15	. STIFFENER-LH . . . . .	01
28	6365032-16	. STIFFENER-RH . . . . .	01
29	6365032-17	. DOUBLER . . . . .	02
		. ATTACHING PARTS	
30	HL10VBJ5-4	. PIN-HI-LOK . . . . . V73197	06
31	HL70-5	. COLLAR-HI-LOK . . . . . V73197	06
		—*—	
32	6365032-12	. SUPPORT . . . . .	02
33	6365032-2	. SUPPORT . . . . .	02
34	6365032-7	. SUPPORT . . . . .	02
35	6365032-8	. SUPPORT . . . . .	02
36	MS27039-1-35	. SCREW . . . . .	04
37	NAS1149F0332P	. WASHER . . . . .	08
38	6365032-14	. BRACKET . . . . .	01
39	6365032-3	. SUPPORT . . . . .	02
40	HL10VBJ5-3	. PIN-COLLAR . . . . . V73197	02
41	HL70-5	. COLLAR-COLLAR . . . . . V73197	02
42	6365032-6	. SUPPORT . . . . .	02
43	NAS43DD3-109FC	. SPACER . . . . .	02
44	NAS43DD3-100FC	. SPACER . . . . .	02
45	MS21044N3	. NUT . . . . .	04

- ITEM NOT ILLUSTRATED

CESSNA®  
**MODEL 525 (SERIALS -0685 AND -0800 AND ON)**  
 ILLUSTRATED PARTS CATALOG

A88617



FLAP CONTROL SYSTEM INTERCONNECT  
 FIGURE 02 (SHEET 2)

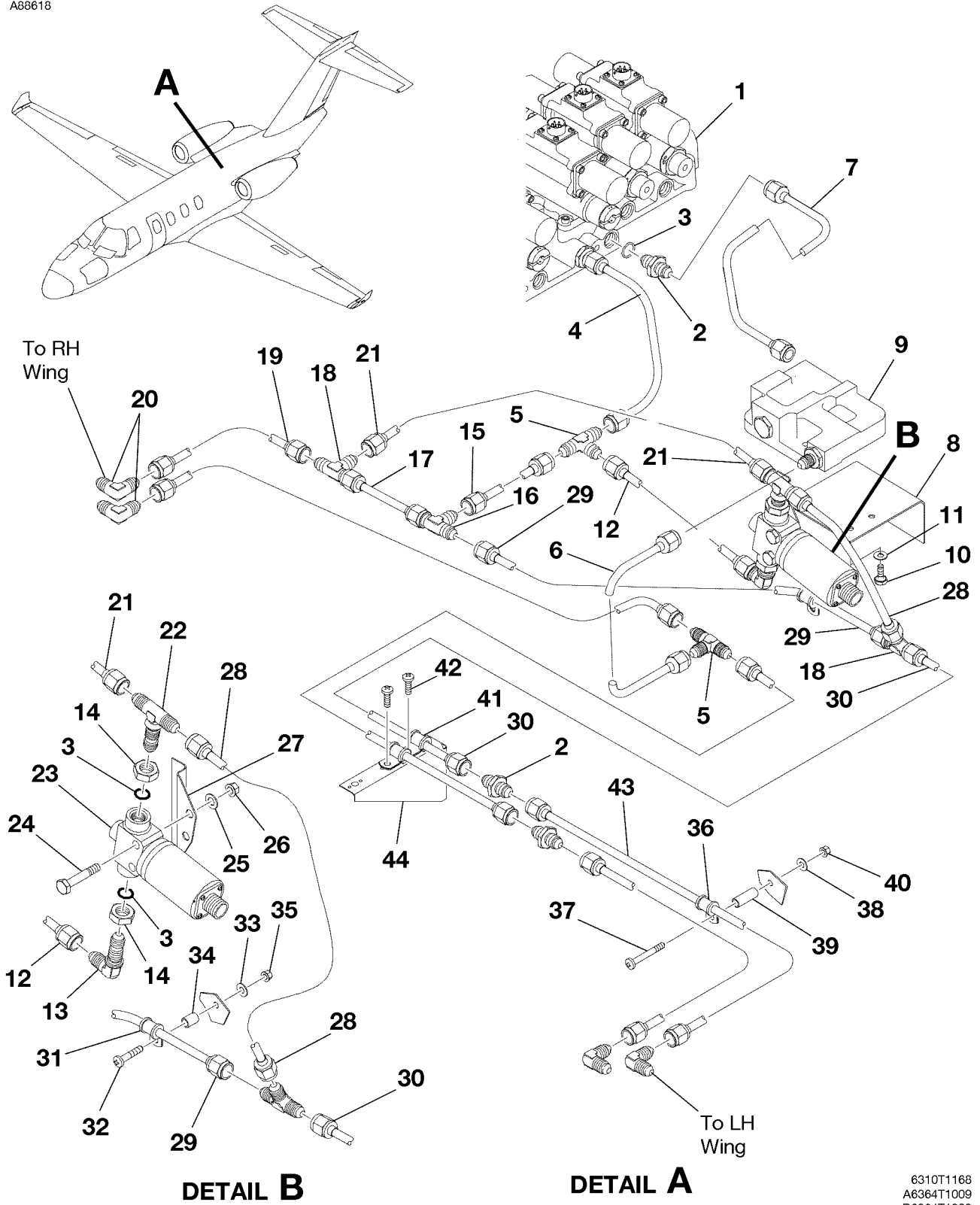
6310T1168  
 A6325T1011  
 B6325T1011

CESSNA®  
**MODEL 525 (SERIALS -0685 AND -0800 AND ON)**  
 ILLUSTRATED PARTS CATALOG

FIG ITEM	PART NUMBER	NOMENCLATURE	UNITS
			PER ASSY
02			
75	6365035-8	. BRACKET-UPR . . . . .	01
76	6365035-13	. BRACKET-LWR . . . . .	01
77	6365035-14	. COVER ACTUATOR . . . . . ATTACHING PARTS	02
78	MS27039-1-21	. SCREW . . . . .	02
79	NAS1149F0332P	. WASHER . . . . .	02
80	MS21044N3	. NUT . . . . . —*—	02
81	6365035-15	. GUIDE . . . . .	02
82	5SE1-3	. SWITCH-AVIONICS SL020 . . . . . V91929	01
83	5SE1-3	. SWITCH-ANGLE OF ATTACK SL022 . . . . . V91929	01
84	JE61	. ACTUATOR-SWITCH . . . . . V91929	04
85	5SE1-3	. SWITCH-ANNUNCIATOR LIGHT SL018 . . . . . V91929	01
86	5SE1-3	. SWITCH-SAFETY INTERRUPT SL019 . . . . . V91929	01
87	5SE1-3	. SWITCH-AVIONICS 20 DEGREE FLAPS SL021 . . . . . V91929	01
88	5SE1-3	. SWITCH-GEAR WARNING WORN SL025 . . . . . V91929	01
89	5SE1-3	. SWITCH-ANGLE OF ATTACK SL023 . . . . . V91929	01
90	5SE1-3	. SWITCH-EGPWS SL030 . . . . . V91929	01
91	5SE1-3	. SWITCH-FLAP OVERRIDE SL033 . . . . . V91929	01
92	JE5	. ACTUATOR-SWITCH . . . . . V91929	01
93	NAS1635-02-18	. SCREW . . . . .	10
94	NAS1149CN316R	. WASHER . . . . .	10
95	6365035-5	. NUTPLATE ASSY . . . . .	04
96	6365035-6	. PLATE . . . . .	04
97	6365035-7	. SPACER . . . . .	02
98	MS27994-1	. SWITCH-LIFT DUMP SL024 . . . . .	01
99	JM5	. ACTUATOR-SWITCH . . . . . V91929 ATTACHING PARTS	01
100	NAS1635-02-14	. SCREW . . . . .	02
101	6365035-10	. NUTPLATE ASSY . . . . .	01
102	6365035-11	. PLATE . . . . . —*—	01
103	6365035-12	. SPACER . . . . .	01
104	6365028-7	. PUSH/PULL TUBE ASSY . . . . . ATTACHING PARTS	02
105	NAS6204-16D	. BOLT-BELLCRANK END . . . . .	01
106	AN24-18	. BOLT-FLAP END . . . . .	01
107	NAS1149F0432P	. WASHER . . . . .	01
108	NAS1149F0463P	. WASHER . . . . .	01
109	MS17826-4	. NUT . . . . .	02
110	MS24665-132	. COTTER PIN . . . . . —*—	02
111	NAS509-6	. NUT . . . . .	01
112	NAS509L6	. NUT . . . . .	01
113	6365028-8	. TUBE . . . . .	01
114	6365028-9	. TUBE . . . . .	01
115	6365028-5	. ROD END . . . . .	01
116	6365028-6	. ROD END . . . . .	01
117	6365028-10	. STUD . . . . .	01
118	MS25083-2CC8	. JUMPER ASSY . . . . .	02
119	MS3367-1-9	. STRAP-TIE . . . . .	02
120		. FLAP ASSY-REFER TO 57-50-01 FIGURE 01 . . . . .	RF

CESSNA®  
**MODEL 525 (SERIALS -0685 AND -0800 AND ON)**  
 ILLUSTRATED PARTS CATALOG

A88618



6310T1168  
 A6364T1009  
 B6364T1009

FLAP HYDRAULIC SYSTEM  
 FIGURE 01 (SHEET 1)

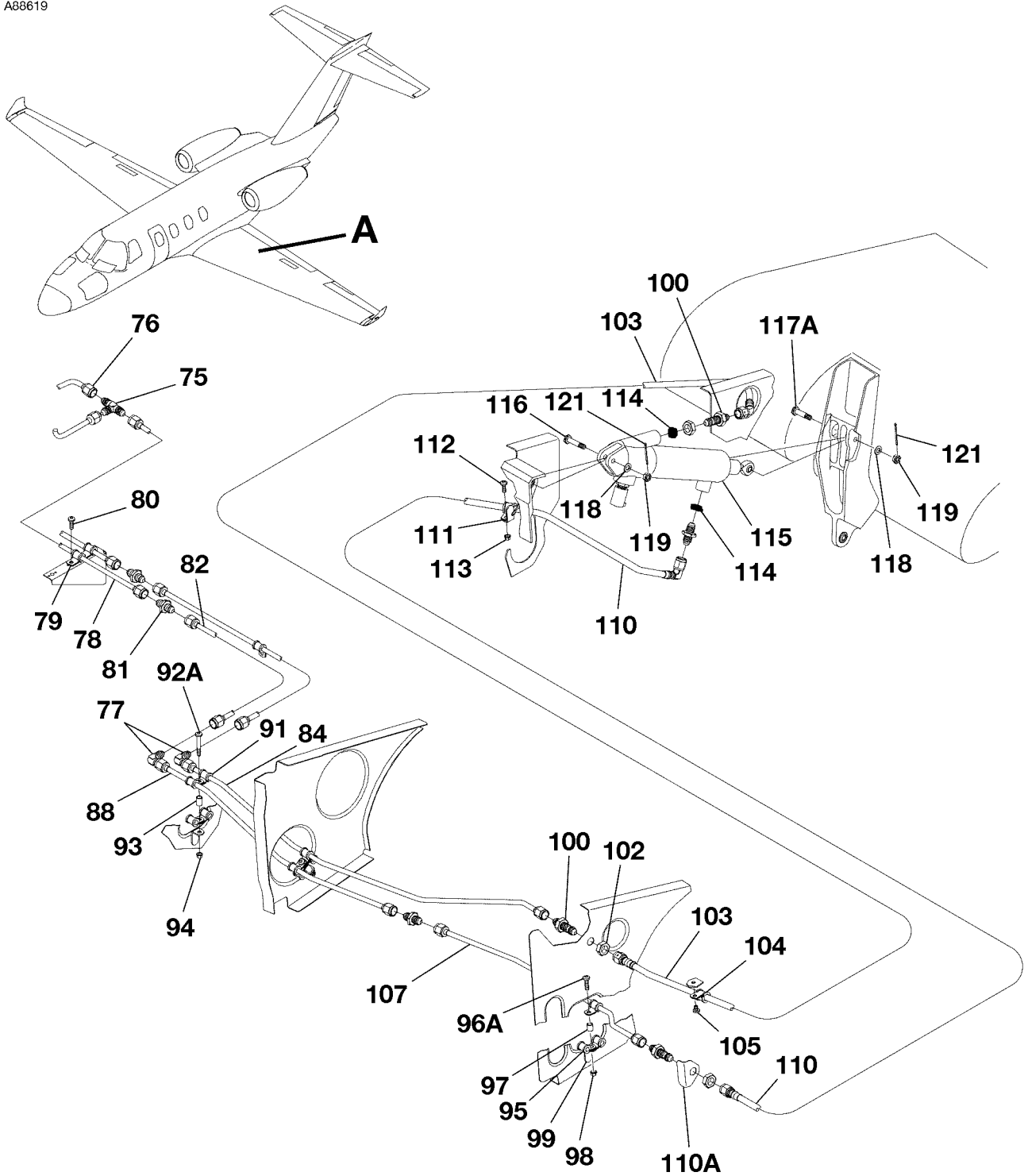
CESSNA®  
**MODEL 525 (SERIALS -0685 AND -0800 AND ON)**  
 ILLUSTRATED PARTS CATALOG

FIG ITEM	PART NUMBER	NOMENCLATURE	UNITS
			PER ASSY
		1 2 3 4 5 6 7	
01		FLAP HYDRAULIC SYSTEM	RF
-		. MANIFOLD ASSY-HYDRAULIC REFER TO 29-10-00 FIGURE 02 . . . . .	RF
1		. UNION . . . . .	03
2	AS5174D0404	. O-RING . . . . .	04
3	M83461/2-904	. TUBE ASSY-EXTEND . . . . .	01
4	6317003-98	. TEE . . . . .	02
5	AN824-4D	. TUBE ASSY . . . . .	01
6	6317003-159	. TUBE ASSY . . . . .	01
7	6317003-160	. BRACKET . . . . .	01
8	6337301-24	. MANIFOLD ASSY . . . . .	01
9	6327502-25	. ATTACHING PARTS	
10	AN3H4A	. BOLT . . . . .	03
11	NAS1149F0332P	. WASHER . . . . .	03
		—*—	
12	6317003-106	. TUBE ASSY-EXTEND LIFT DUMP . . . . .	01
13	AS1038W0404	. ELBOW . . . . .	01
14	AN924-4D	. NUT . . . . .	02
15	6317003-99	. TUBE ASSY-EXTEND . . . . .	01
16	6327502-27	. RESTRICTOR ASSY-FLOW . . . . .	01
17	6317003-100	. TUBE ASSY-EXTEND . . . . .	01
18	6327502-13	. CHECK VALVE ASSY . . . . .	02
19	6317003-101	. TUBE ASSY-EXTEND TO RH WING . . . . .	01
20	AN821-4D	. ELBOW . . . . .	02
21	6317003-102	. TUBE ASSY-EXTEND LIFT DUMP . . . . .	01
22	AN834-4D	. TEE . . . . .	01
23	4083-1	. VALVE-SHUTOFF . . . . . V06177	01
		. ATTACHING PARTS	
24	AN4-13A	. BOLT . . . . .	02
25	NAS1149D0463H	. WASHER . . . . .	02
26	MS21042L4	. NUT . . . . .	02
		—*—	
27	6317003-162	. MOUNTING BRACKET . . . . .	01
28	6317003-103	. TUBE ASSY-EXTEND LIFT DUMP . . . . .	01
29	6317003-105	. TUBE ASSY-EXTEND . . . . .	01
30	6317003-104	. TUBE ASSY-EXTEND . . . . .	01
31	MS21919WDG4	. CLAMP . . . . .	01
		. ATTACHING PARTS	
32	MS27039-1-15	. SCREW . . . . .	01
33	NAS1149F0332P	. WASHER . . . . .	01
34	NAS43DD3-28FC	. SPACER . . . . .	01
35	MS21042L3	. NUT . . . . .	01
		—*—	
36	MS21919WDG4	. CLAMP . . . . .	01
		. ATTACHING PARTS	
37	MS27039-1-23	. SCREW . . . . .	01
38	NAS1149F0332P	. WASHER . . . . .	01
39	NAS43DD3-56FC	. SPACER . . . . .	01
40	MS21042L3	. NUT . . . . .	01
		—*—	
41	MS21919WDG4	. CLAMP . . . . .	01
		. ATTACHING PARTS	
42	MS27039-1-09	. SCREW . . . . .	01
		—*—	
43	6317003-20	. TUBE ASSY-EXTEND TO LH WING . . . . .	01
44	6317003-78	. SUPPORT ASSY . . . . .	01
- 45	MS21069L3	. NUTPLATE . . . . .	03

- ITEM NOT ILLUSTRATED

CESSNA®  
MODEL 525 (SERIALS -0685 AND -0800 AND ON)  
ILLUSTRATED PARTS CATALOG

A88619



**DETAIL A**

FLAP HYDRAULIC SYSTEM  
FIGURE 01 (SHEET 2)

6310T1168  
A6364T1011



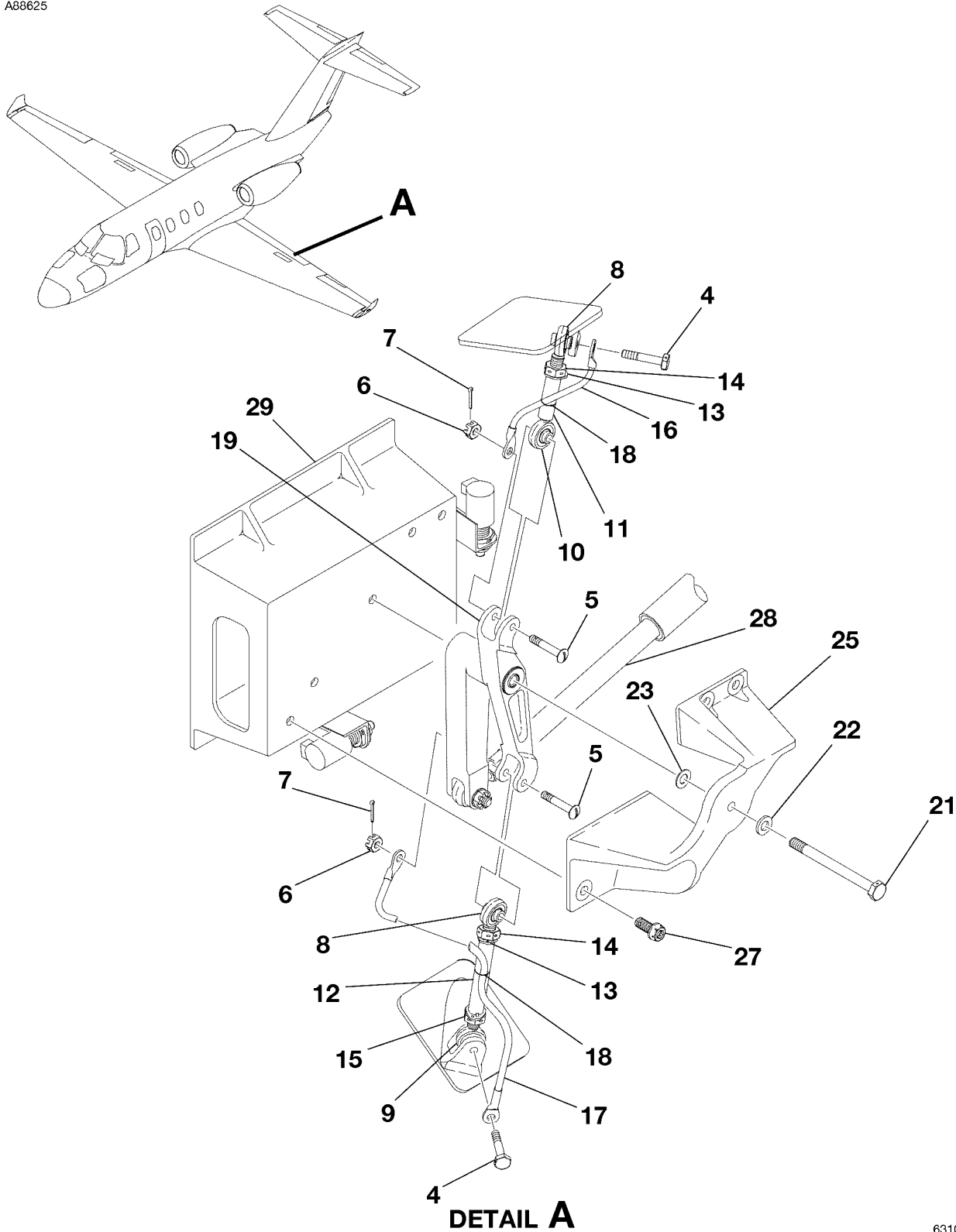
CESSNA®  
**MODEL 525 (SERIALS -0685 AND -0800 AND ON)**  
 ILLUSTRATED PARTS CATALOG

FIG ITEM	PART NUMBER	NOMENCLATURE	UNITS PER ASSY		
			1	2	3
01					
75	6327502-18	. FLOW CONTROL ASSY . . . . .			01
76	6317003-85	. TUBE ASSY-RETRACT TO RH WING . . . . .			01
77	AN821-4D	. ELBOW . . . . .			02
78	6317003-107	. TUBE ASSY-RETRACT . . . . .			01
79	MS21919WDG4	. CLAMP . . . . .			04
		ATTACHING PARTS			
80	MS27039-1-09	. SCREW . . . . .			01
		—*—			
81	AS5174D0404	. UNION . . . . .			03
82	6317003-96	. TUBE ASSY-RETRACT TO LH WING . . . . .			01
- 83	6327500-35	. TUBE ASSY-LH EXTEND . . . . .	0800	0804	01
84	6327011-63	. TUBE ASSY-LH EXTEND . . . . .	0805	& ON	01
- 85	6327500-36	. TUBE ASSY-RH EXTEND . . . . .	0800	0804	01
- 86	6327011-64	. TUBE ASSY-RH EXTEND . . . . .	0805	& ON	01
- 87	6327500-33	. TUBE ASSY-LH RETRACT . . . . .	0800	0804	01
88	6327011-21	. TUBE ASSY-LH RETRACT . . . . .	0805	& ON	01
- 89	6327500-34	. TUBE ASSY-RH RETRACT . . . . .	0800	0804	01
- 90	6327011-22	. TUBE ASSY-RH RETRACT . . . . .	0805	& ON	01
91	MS21919WDG4	. CLAMP . . . . .			02
		ATTACHING PARTS			
- 92	MS27039-1-21	. SCREW . . . . .	0800	0804	01 R
92A	MS27039-1-18	. SCREW . . . . .	0805	& ON	01 R
93	NAS43DD3-30FC	. SPACER . . . . .			01
94	MS21042-3	. NUT . . . . .			01
		—*—			
95	MS21919WDG4	. CLAMP . . . . .			03
		ATTACHING PARTS			
- 96	MS27039-1-11	. SCREW . . . . .	0800	0804	01 R
96A	MS27039-1-14	. SCREW . . . . .	0805	& ON	01 R
97	NAS43DD3-23FC	. SPACER . . . . .			01
98	MS21042-3	. NUT . . . . .			01
		—*—			
99	AN743-13	. BRACKET . . . . .			01
100	AN832-4D	. UNION . . . . .			06
- 101	MS24393D4	. UNION-ALT FOR AN832-4D . . . . .			06
102	AN924-4D	. NUT . . . . .			04
103	AE3663232E0217	. HOSE ASSY-EXTEND . . . . .	V00624		02
104	MS21919WDG6	. CLAMP . . . . .			02
		ATTACHING PARTS			
105	MS27039-1-04	. SCREW . . . . .			01
		—*—			
- 106	6327500-41	. TUBE ASSY-LH RETRACT . . . . .	0800	0804	01
107	6327011-65	. TUBE ASSY-LH RETRACT . . . . .	0805	& ON	01
- 108	6327500-42	. TUBE ASSY-RH RETRACT . . . . .	0800	0804	01
- 109	6327011-66	. TUBE ASSY-RH RETRACT . . . . .	0805	& ON	01
110	AE3663233E0164	. HOSE ASSY-RETRACT . . . . .	V00624		02
110A	6327500-53	. BRACKET . . . . .			02
111	MS21919WDG6	. CLAMP . . . . .			02
		ATTACHING PARTS			
112	MS27039-1-08	. SCREW . . . . .			01
113	MS21042-3	. NUT . . . . .			01
		—*—			
114	M83461/2-904	. O-RING . . . . .			04
115	9912365-7	. ACTUATOR ASSY-FLAP . . . . .			02
		ATTACHING PARTS			
116	NAS6204-14D	. BOLT . . . . .			01
- 117	NAS6204-12D	. BOLT . . . . .	0800	0804	01 R
117A	NAS6204-13D	. BOLT . . . . .	0805	& ON	01 R
118	NAS1149F0432P	. WASHER . . . . .			02
119	MS17826-4	. NUT . . . . .			02
- 120	MS24665-138	. COTTER PIN . . . . .	0800	0804	02 R
121	MS24665-134	. COTTER PIN . . . . .	0805	& ON	02 R
		—*—			

- ITEM NOT ILLUSTRATED

CESSNA®  
MODEL 525 (SERIALS -0685 AND -0800 AND ON)  
ILLUSTRATED PARTS CATALOG

A88625



SPEED BRAKE SYSTEM  
FIGURE 01 (SHEET 1)

6310T1168  
A6365T1001

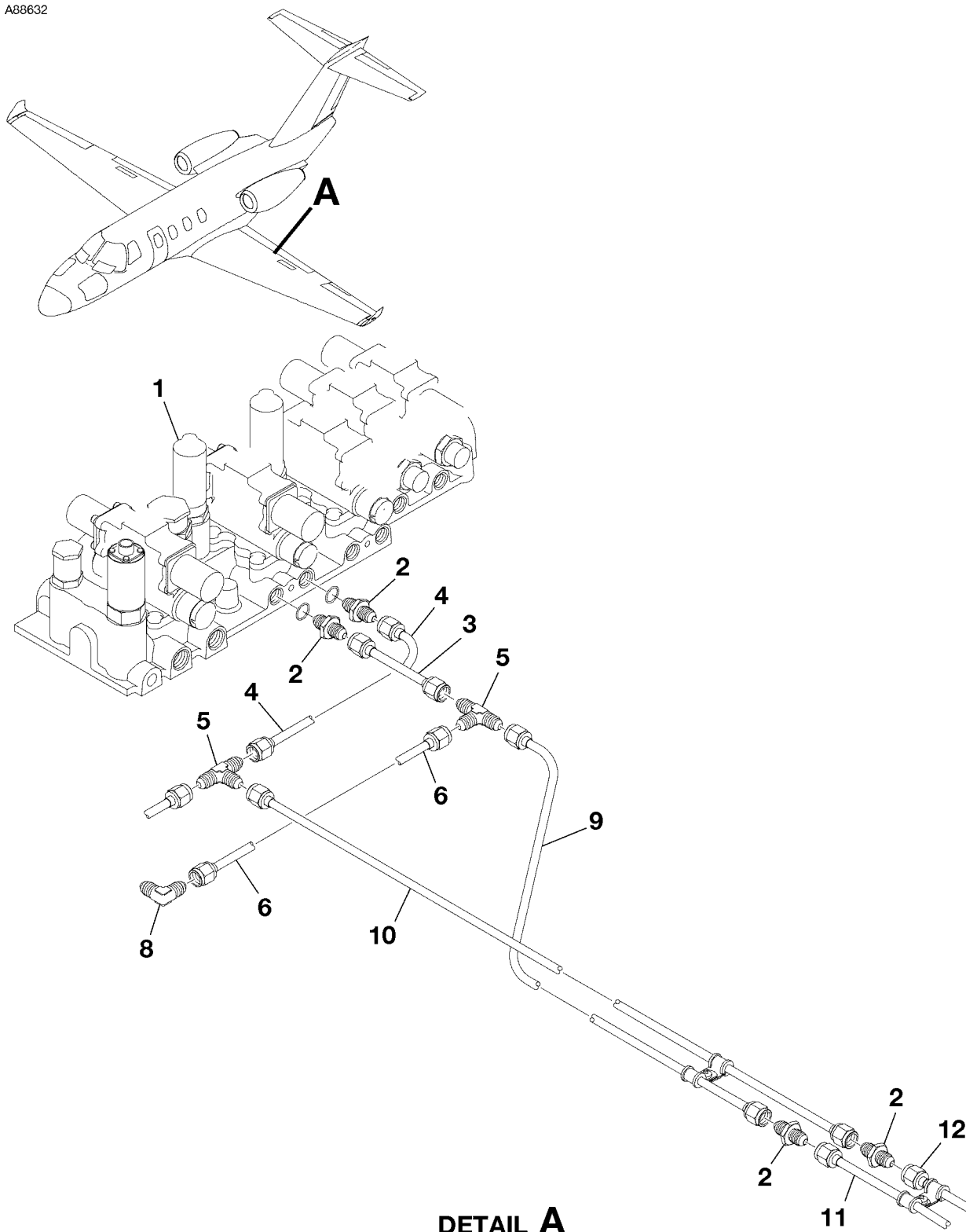
CESSNA®  
**MODEL 525 (SERIALS -0685 AND -0800 AND ON)**  
 ILLUSTRATED PARTS CATALOG

FIG ITEM	PART NUMBER	NOMENCLATURE	UNITS
			PER ASSY
01		SPEED BRAKE SYSTEM	RF
-			
- 1	6365052-11	. PUSHROD ASSY-LH UPR . . . . .	01
- 2	6365052-10	. PUSHROD ASSY-RH UPR . . . . .	01
- 3	6365052-15	. PUSHROD ASSY-LWR . . . . .	02
		ATTACHING PARTS	
4	AN3H10A	. BOLT DOOR END . . . . .	01
5	AN23-17	. BOLT BELLCRANK END . . . . .	01
6	MS17826-3	. NUT BELLCRANK END . . . . .	01
7	MS24665-132	. COTTER PIN BELLCRANK END . . . . .	01
		—*—	
8	ARYT3E104W	. . . . . ROD END . . . . . V15860	01
9	ARYTL3E104W	. . . . . ROD END-LWR . . . . . V15860	01
10	6365052-8	. . . . . ROD END-UPR . . . . .	01
11	6365052-9	. . . . . ROD-UPR . . . . .	01
12	6365052-16	. . . . . ROD-LWR . . . . .	01
13	NAS513-5	. . . . . LOCK WASHER . . . . .	AR
14	NAS509-5	. . . . . NUT . . . . .	01
15	NAS509L5	. . . . . NUT-LWR . . . . .	01
16	MS25083-2BB4	. . . . . JUMPER ASSY-UPR . . . . .	02
17	MS25083-2BB6	. . . . . JUMPER ASSY-LWR . . . . .	02
18	MS3367-1-9	. . . . . STRAP-TIE . . . . .	04
19	6365051-1	. . . . . BELLCRANK ASSY-LH . . . . .	01
- 20	6365051-2	. . . . . BELLCRANK ASSY-RH . . . . .	01
		ATTACHING PARTS	
21	AN4H27A	. . . . . BOLT . . . . .	01
22	NAS1149F0463P	. . . . . WASHER . . . . .	01
23	NAS1149F0432P	. . . . . WASHER . . . . .	01
		—*—	
- 24	M81934/2-04A014	. . . . . BEARING . . . . .	02
25	5525502-31	. . . . . BRIDGE-LH . . . . .	01
- 26	5525502-32	. . . . . BRIDGE-RH . . . . .	01
		ATTACHING PARTS	
27	NAS144-9	. . . . . BOLT . . . . .	04
		—*—	
28		. . . . . SPEED BRAKE SYSTEM-HYDRAULIC REFER TO 27-60-00 FIGURE 02 . . . . .	RF
29		. . . . . SPEED BRAKE-REFER TO 57-70-00 FIGURE 01 . . . . .	RF

- ITEM NOT ILLUSTRATED

CESSNA®  
MODEL 525 (SERIALS -0685 AND -0800 AND ON)  
ILLUSTRATED PARTS CATALOG

A88632



**DETAIL A**

SPEED BRAKE SYSTEM - HYDRAULIC  
FIGURE 02 (SHEET 1)

6310T1168  
A6329T1002(1)

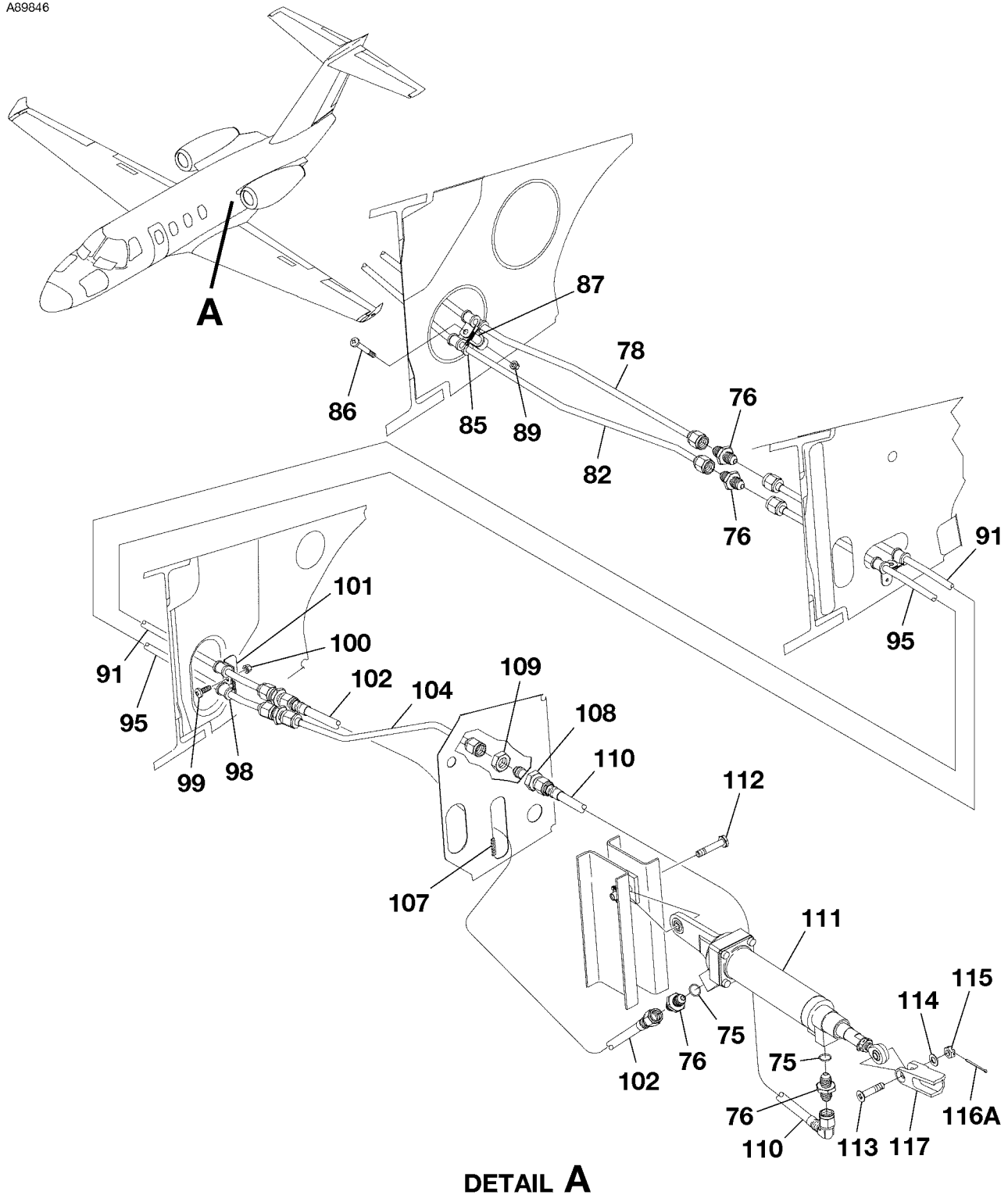
CESSNA®  
**MODEL 525 (SERIALS -0685 AND -0800 AND ON)**  
 ILLUSTRATED PARTS CATALOG

FIG ITEM	PART NUMBER	1 2 3 4 5 6 7	NOMENCLATURE	UNITS
				PER ASSY
02			SPEED BRAKE SYSTEM - HYDRAULIC	RF
-			. MANIFOLD ASSY-HYDRAULIC-REFER TO 29-10-00 FIGURE 01 . . . . .	RF
1			. UNION . . . . .	04
2	AS5174D0404		. TUBE ASSY-EXTEND . . . . .	01
3	6317003-14		. TUBE ASSY-RETRACT . . . . .	01
4	6317003-18		. TEE . . . . .	02
5	AN824-4D		. TUBE ASSY-EXTEND TO RH WING . . . . .	01
6	6317003-15		. TUBE ASSY-RETRACT TO RH WING . . . . .	01
-	6317003-19		. ELBOW . . . . .	04
8	AN821-4D		. TUBE ASSY-EXTEND . . . . .	01
9	6317003-108		. TUBE ASSY-RETRACT . . . . .	01
10	6317003-17		. TUBE ASSY-EXTEND TO LH WING . . . . .	01
11	6317003-12		. TUBE ASSY-RETRACT TO LH WING . . . . .	01
12	6317003-16		. TUBE ASSY-EXTEND TO LH WING . . . . .	01

- ITEM NOT ILLUSTRATED

CESSNA®  
**MODEL 525 (SERIALS -0685 AND -0800 AND ON)**  
 ILLUSTRATED PARTS CATALOG

A89846



**DETAIL A**

SPEED BRAKE SYSTEM - HYDRAULIC  
 FIGURE 02 (SHEET 2)

6310T1168  
 A6329T1002

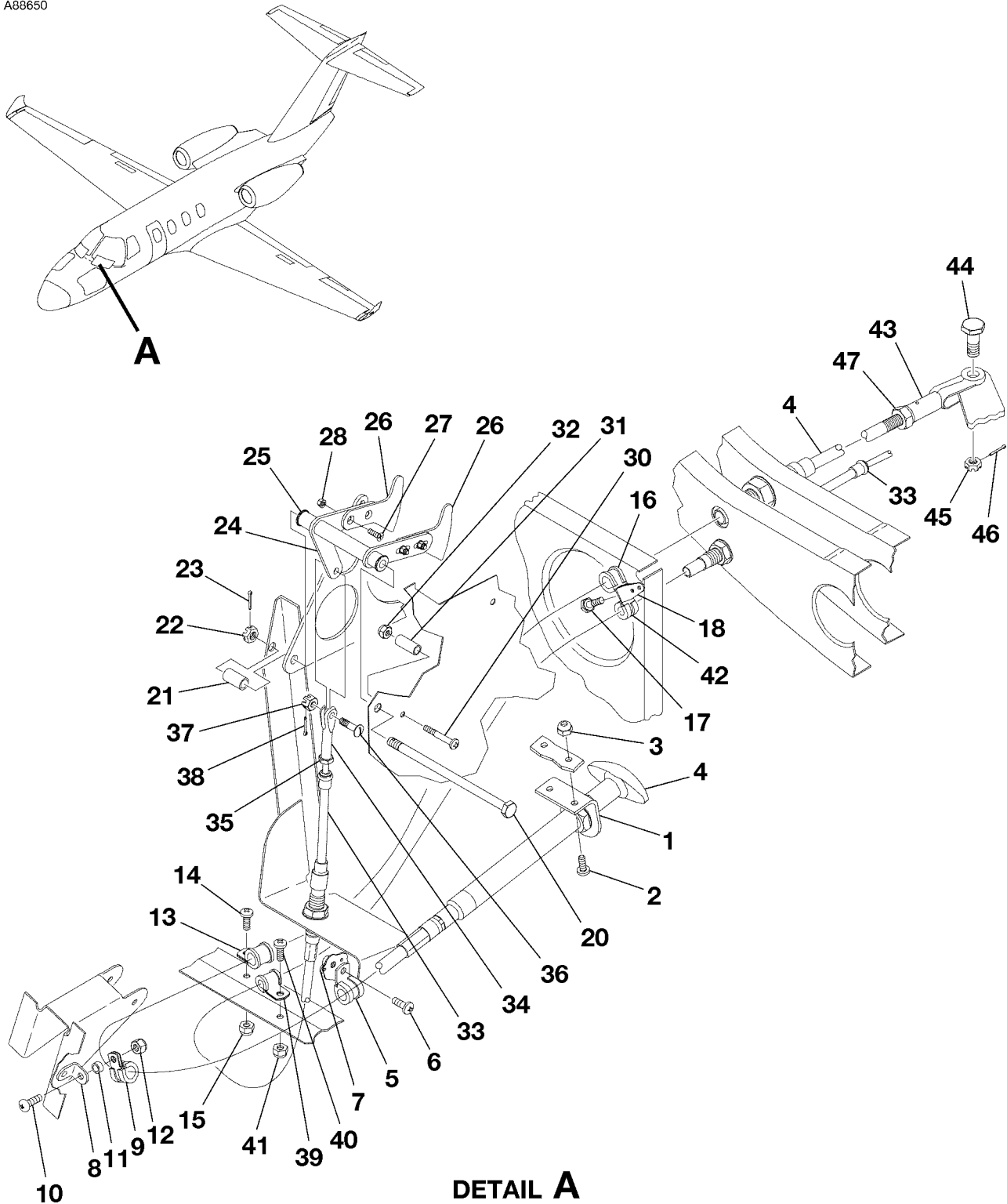
CESSNA®  
**MODEL 525 (SERIALS -0685 AND -0800 AND ON)**  
 ILLUSTRATED PARTS CATALOG

FIG ITEM	PART NUMBER	NOMENCLATURE	UNITS	
			PER	ASSY
02				
75	M83461/2-904	. O-RING . . . . .		04
76	AS5174D0404	. UNION . . . . .		08
- 77	6327500-37	. TUBE ASSY-LH EXTEND . . . . .	0800	0804 01
- 78	6327011-25	. TUBE ASSY-LH EXTEND . . . . .	0805	& ON 01
- 79	6327500-38	. TUBE ASSY-RH EXTEND . . . . .	0800	0804 01
- 80	6327011-26	. TUBE ASSY-RH EXTEND . . . . .	0805	& ON 01
- 81	6327500-39	. TUBE ASSY-LH RETRACT . . . . .	0800	0804 01
82	6327011-27	. TUBE ASSY-LH RETRACT . . . . .	0805	& ON 01
- 83	6327500-40	. TUBE ASSY-RH RETRACT . . . . .	0800	0804 01
- 84	6327011-28	. TUBE ASSY-RH RETRACT . . . . .	0805	& ON 01
85	MS21919WDG4	. CLAMP . . . . .		02
		ATTACHING PARTS		
86	MS27039-1-22	. SCREW . . . . .		01
87	NAS43DD3-43FC	. SPACER . . . . .		01
- 88	NAS43DD3-43N	. SPACER-ALT FOR NAS43DD3-43FC . . . . .		01
89	MS21042-3	. NUT . . . . .		01
		—*—		
- 90	6327500-43	. TUBE ASSY-LH EXTEND . . . . .	0800	0804 01
91	6327011-33	. TUBE ASSY-LH EXTEND . . . . .	0805	& ON 01
- 92	6327500-44	. TUBE ASSY-RH EXTEND . . . . .	0800	0804 01
- 93	6327011-34	. TUBE ASSY-RH EXTEND . . . . .	0805	& ON 01
- 94	6327500-45	. TUBE ASSY-LH RETRACT . . . . .	0800	0804 01
95	6327011-61	. TUBE ASSY-LH RETRACT . . . . .	0805	& ON 01
- 96	6327500-46	. TUBE ASSY-RH RETRACT . . . . .	0800	0804 01
- 97	6327011-62	. TUBE ASSY-RH RETRACT . . . . .	0805	& ON 01
- 97A	MS21919WDG3	. CLAMP . . . . .	0800	0804 04 R
98	MS21919WDG4	. CLAMP . . . . .	0805	& ON 04 R
		ATTACHING PARTS		
- 98A	MS27039-0806	. SCREW . . . . .	0800	0804 01 R
99	MS27039-1-08	. SCREW . . . . .	0805	& ON 01 R
- 99A	MS21044N08	. NUT . . . . .	0800	0804 01 R
100	MS21042-3	. NUT . . . . .	0805	& ON 01 R
		—*—		
101	6327500-54	. BRACKET-CLAMP . . . . .		02
102	AE3663232E0152	. HOSE ASSY-EXTEND . . . . .	V00624	02
- 103	6327500-47	. TUBE ASSY-LH RETRACT . . . . .	0800	0804 01
104	6327011-37	. TUBE ASSY-LH RETRACT . . . . .	0805	& ON 01
- 105	6327500-48	. TUBE ASSY-RH RETRACT . . . . .	0800	0804 01
- 106	6327011-38	. TUBE ASSY-RH RETRACT . . . . .	0805	& ON 01
107	S1050-1-4.75	. GROMMET . . . . .		02
108	AN832-4D	. UNION . . . . .		02
109	AN924-4D	. NUT . . . . .		02
110	AE3663233E0097	. HOSE ASSY-RETRACT . . . . .	V00624	02
111	9912375-4	. ACTUATOR ASSY-SPEED BRAKE REFER TO NOTE 1 . . . . .		02
		ATTACHING PARTS		
112	NAS6204-15	. BOLT . . . . .		01
113	NAS334C11	. BOLT . . . . .		01
114	NAS1149F0432P	. WASHER . . . . .		02
115	MS17826-4	. NUT . . . . .		01
- 116	MS24665-138	. COTTER PIN . . . . .	0800	0804 01 R
116A	MS24665-134	. COTTER PIN . . . . .	0805	& ON 01 R
		—*—		
117		. BELLCRANK-SPEED BRAKE REFER TO 27-60-00 FIGURE 01 . . . . .		RF

NOTE 1—REFER TO MAINTENANCE MANUAL FOR SUPPLIERS PUBLICATION LIST.

CESSNA®  
MODEL 525 (SERIALS -0685 AND -0800 AND ON)  
ILLUSTRATED PARTS CATALOG

A88650



DETAIL A

CONTROL LOCK SYSTEM  
FIGURE 01 (SHEET 1)

6310T1168  
A6366T1001



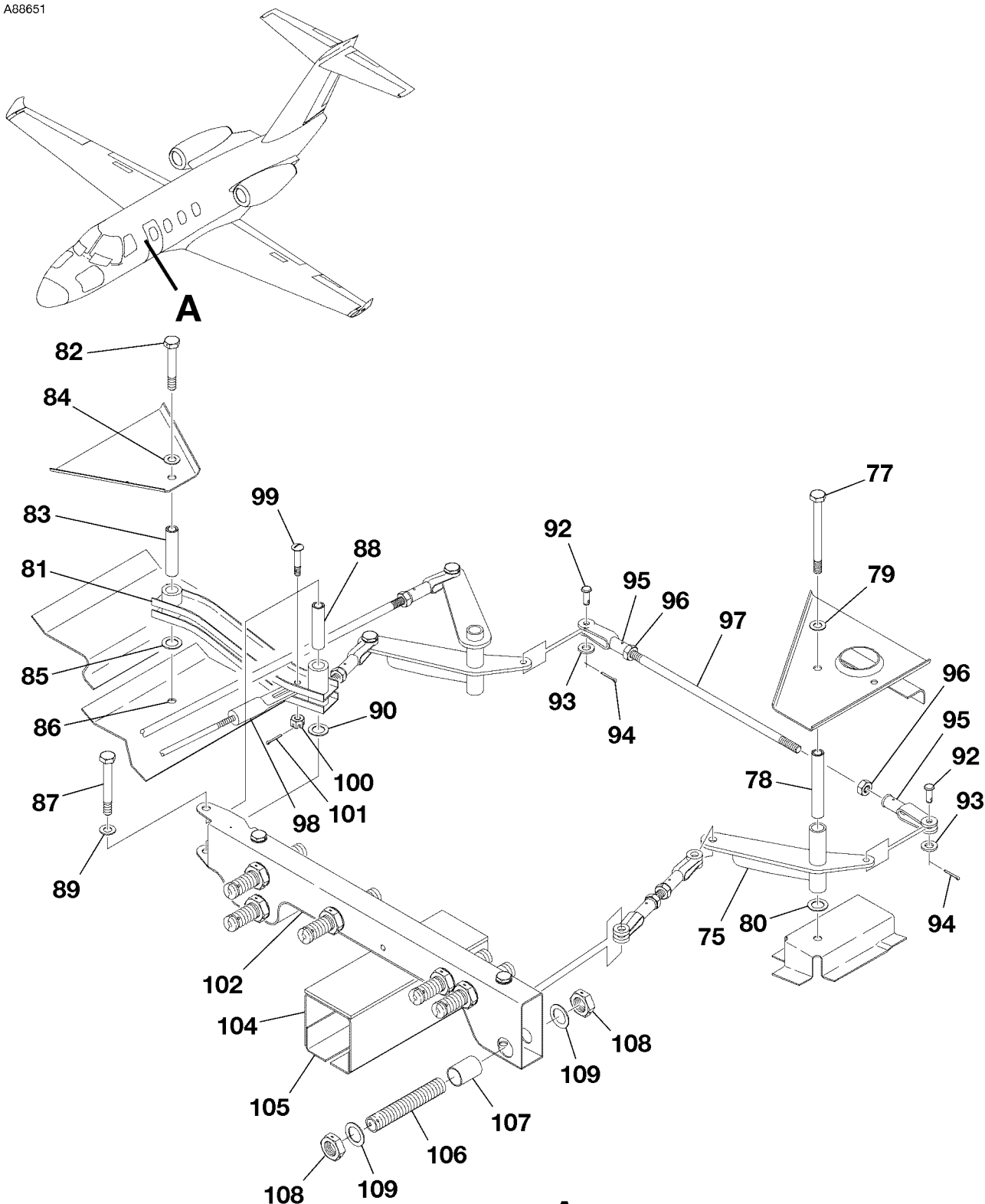
CESSNA®  
**MODEL 525 (SERIALS -0685 AND -0800 AND ON)**  
 ILLUSTRATED PARTS CATALOG

FIG ITEM	PART NUMBER	NOMENCLATURE	UNITS	
			PER	ASSY
01		CONTROL LOCK SYSTEM		RF
- 1	5565275-93	. BRACKET ASSY . . . . .		01
		. ATTACHING PARTS		
2	MS27039-1-07	. SCREW . . . . .		02
3	MS21044N3	. NUT . . . . .		02
		—*—		
4	67-2811-2044	. CONTROL ASSY-CONTROL LOCK . . . . . V92867		01
5	MS21919WDG6	. CLAMP . . . . .		01
		. ATTACHING PARTS		
6	MS27039-1-08	. SCREW . . . . .		01
7	MS21047L3	. NUTPLATE . . . . .		01
		—*—		
8	AN743-12	. BRACKET . . . . .		01
9	TA713D006CR	. CLAMP . . . . .		01
		. ATTACHING PARTS		
10	MS27039-1-10	. SCREW . . . . .		01
11	NAS43-3-10	. SPACER . . . . .		01
12	MS21044N3	. NUT . . . . .		01
		—*—		
13	MS21919WDG6	. CLAMP . . . . .		01
		. ATTACHING PARTS		
14	MS27039-1-08	. SCREW . . . . .		01
15	MS21044N3	. NUT . . . . .		01
		—*—		
16	MS21919WDG6	. CLAMP . . . . .		01
		. ATTACHING PARTS		
17	AN3-5A	. BOLT . . . . .		01
18	AN256-10	. NUTPLATE . . . . .		01
		—*—		
- 19	6361703-8	. BELLCRANK ASSY . . . . .		01
		. ATTACHING PARTS		
20	AN4-46	. BOLT . . . . .		01
21	NAS43HT4-44	. SPACER . . . . .		01
22	MS17826-4	. NUT . . . . .	0800	0931 01 R
- 22A	MS17825-4	. NUT . . . . .	0932	& ON 01 R
- 22B	NAS1149F0432P	. WASHER . . . . .	0932	& ON 01 R
23	MS24665-132	. COTTER PIN . . . . .		01
		—*—		
24	6361700-48	. WELD ASSY-BELLCRANK . . . . .		01
25	S1004-1A	. BEARING . . . . .		02
26	6361703-7	. CAM LOCK . . . . .		02
27	MS24694-S26	. SCREW . . . . .		04
28	MS21042L06	. NUT . . . . .		04
- 29	NAS1291-06	. NUT-ALT FOR MS21042L06 . . . . .		AR
30	MS27039-0818	. SCREW . . . . .		01
31	NAS43HT3-48	. SPACER . . . . .		01
32	MS21044N08	. NUT . . . . .		01
33	65-4527-2154	. CONTROL ASSY . . . . . V92867		01
34	6661021-41	. CLEVIS . . . . .		01
35	MS35650-302B	. NUT . . . . .		01
36	NAS1203-5D	. BOLT . . . . .		01
37	MS17825-3	. NUT . . . . .		01
38	MS24665-132	. COTTER PIN . . . . .		01
39	MS21919WDG4	. CLAMP . . . . .		01
		. ATTACHING PARTS		
40	MS27039-1-08	. SCREW . . . . .		01
41	MS21044N3	. NUT . . . . .		01
		—*—		
42	MS21919WDG4	. CLAMP . . . . .		01
43	MS27975-2	. CLEVIS . . . . .		01
		. ATTACHING PARTS		
44	NAS464P4-5	. BOLT . . . . .		01
45	MS17826-4	. NUT . . . . .		01
46	MS24665-132	. COTTER PIN . . . . .		01
		—*—		
47	MS35650-3252	. NUT . . . . .		01

- ITEM NOT ILLUSTRATED

CESSNA®  
MODEL 525 (SERIALS -0685 AND -0800 AND ON)  
ILLUSTRATED PARTS CATALOG

A88651



**DETAIL A**

CONTROL LOCK SYSTEM  
FIGURE 01 (SHEET 2)

6310T1168  
A6366T1001(3)

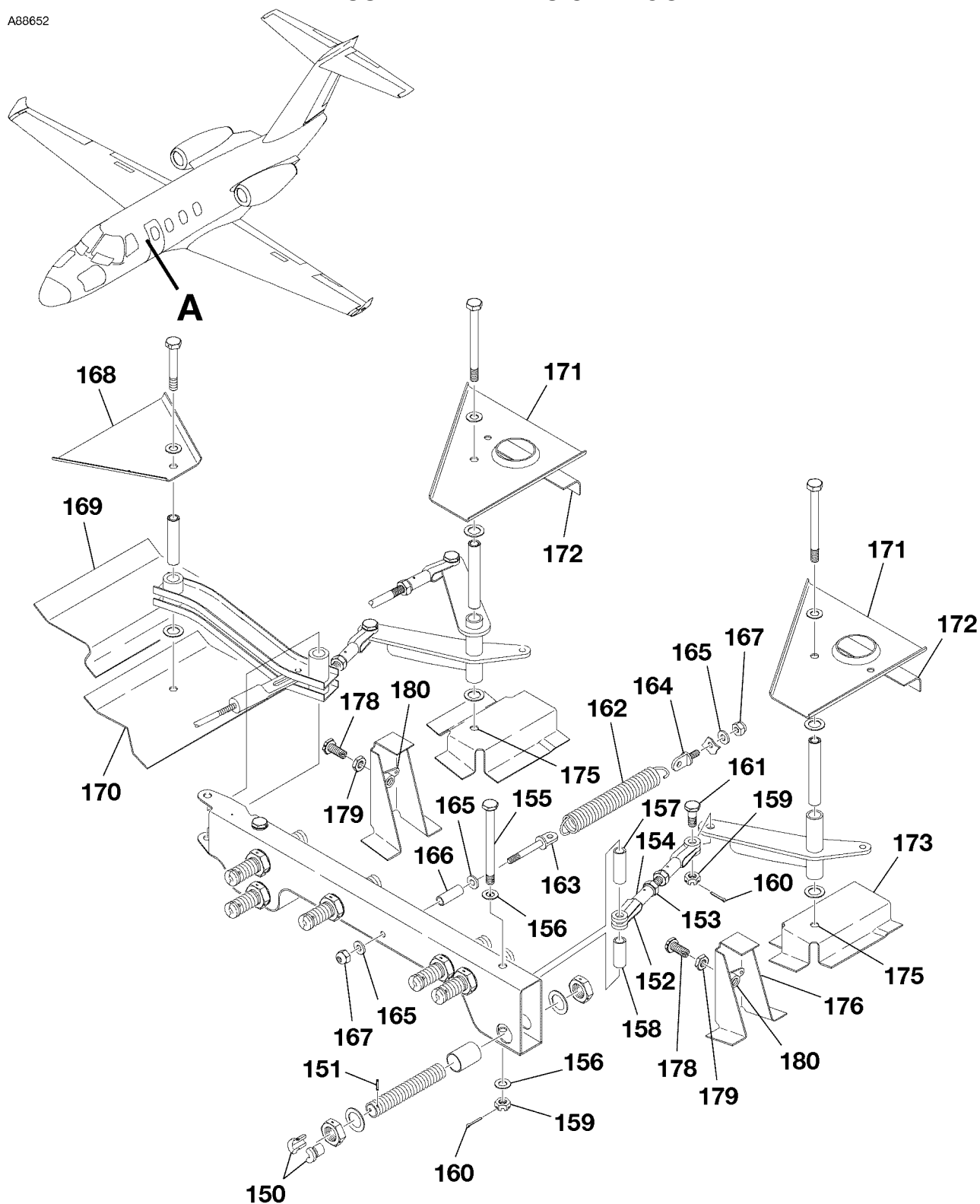
CESSNA®  
**MODEL 525 (SERIALS -0685 AND -0800 AND ON)**  
 ILLUSTRATED PARTS CATALOG

FIG ITEM	PART NUMBER	NOMENCLATURE	UNITS
			PER ASSY
		1 2 3 4 5 6 7	
01			
75	6361700-9	. CRANK ASSY-LH . . . . .	01
- 76	6361700-10	. CRANK ASSY-RH . . . . .	01
		ATTACHING PARTS	
77	AN4H26A	. BOLT . . . . .	01
78	S133-4-2.400	. SPACER . . . . .	01
79	NAS1149F0432P	. WASHER . . . . .	01
80	NAS1149F0632P	. WASHER . . . . .	01
		—*—	
81	6361700-45	. IDLER ASSY . . . . .	01
		ATTACHING PARTS	
82	AN4H15A	. BOLT . . . . .	01
83	S133-4-1.100	. SPACER . . . . .	01
84	NAS1149F0432P	. WASHER . . . . .	01
85	NAS1149F0632P	. WASHER . . . . .	01
86	MS21075L4N	. NUTPLATE . . . . .	01
		—*—	
87	AN4H20A	. BOLT . . . . .	01
88	S133-4-1.570	. SPACER . . . . .	01
89	NAS1149F0432P	. WASHER . . . . .	01
90	NAS1149F0632P	. WASHER . . . . .	01
- 91	6361700-19	. ROD ASSY . . . . .	01
		ATTACHING PARTS	
92	MS20392-2C13	. PIN . . . . .	02
93	NAS1149F0363P	. WASHER . . . . .	02
94	MS24665-132	. COTTER PIN . . . . .	02
		—*—	
95	MS27975-4	. CLEVIS . . . . .	02
96	MS35650-3252	. NUT . . . . .	02
97	NAS354-4-784	. ROD . . . . .	01
98	6565275-48	. CLEVIS-SLIDE END . . . . .	01
		ATTACHING PARTS	
99	AN23-13	. BOLT . . . . .	01
100	MS17825-3	. NUT . . . . .	01
101	MS24665-132	. COTTER PIN . . . . .	01
		—*—	
102	6361700-52	. SLIDE ASSY . . . . .	01
- 103	MS21051-4	. NUTPLATE . . . . .	01
104	6361700-41	. SUPPORT ASSY-SLIDE . . . . .	01
105	6361700-44	. ANGLE . . . . .	02
106	5565275-87	. TUBE-ADJUST . . . . .	06
107	NAS43HT9-56	. SPACER . . . . .	06
108	5565275-69	. NUT . . . . .	12
109	6565275-16	. WASHER . . . . .	12

- ITEM NOT ILLUSTRATED

CESSNA®  
MODEL 525 (SERIALS -0685 AND -0800 AND ON)  
ILLUSTRATED PARTS CATALOG

A88652



**DETAIL A**

CONTROL LOCK SYSTEM  
FIGURE 01 (SHEET 3)

6310T1168  
A6366T1003

CESSNA®  
**MODEL 525 (SERIALS -0685 AND -0800 AND ON)**  
 ILLUSTRATED PARTS CATALOG

FIG ITEM	PART NUMBER	NOMENCLATURE	UNITS
			PER ASSY
01			
150	S338B1	. FAIRLEAD HALF . . . . .	12
151	NAS561-2-6	. PIN-RETAINING . . . . .	12
152	MS27975-2	. CLEVIS . . . . .	04
153	MS35650-3252	. NUT . . . . .	04
154	NAS354-4-190	. ROD . . . . .	02
155	NAS464P4-41	. BOLT-FWD . . . . .	02
156	NAS1149F0432P	. WASHER . . . . .	01
157	NAS43HT4-73	. SPACER-FWD UPR . . . . .	02
158	NAS43HT4-59	. SPACER-FWD LWR . . . . .	02
159	MS17826-4	. NUT . . . . .	04
160	MS24665-132	. COTTER PIN . . . . .	04
161	NAS464P4-5	. BOLT-AFT . . . . .	02
162	6565275-7	. SPRING . . . . .	01
		ATTACHING PARTS	
163	AN42B13A	. EYE BOLT-FWD . . . . .	01
164	AN42B3A	. EYE BOLT-AFT . . . . .	01
165	NAS1149F0363P	. WASHER . . . . .	03
166	NAS43HT3-56	. SPACER-FWD . . . . .	01
167	MS21044N3	. NUT . . . . .	02
		—*—	
168	6565275-28	. PLATE . . . . .	01
169	6565275-26	. CHANNEL . . . . .	01
170	6565275-27	. SUPPORT . . . . .	01
171	6361700-40	. PLATE . . . . .	02
172	6361700-35	. ANGLE . . . . .	02
173	6361700-33	. SUPPORT-LH . . . . .	01
- 174	6361700-34	. SUPPORT-RH . . . . .	01
175	MS21074L4	. NUTPLATE . . . . .	02
176	6361700-3	. STOP-LH OVERCENTER . . . . .	01
- 177	6361700-4	. STOP-RH OVERCENTER . . . . .	01
178	NAS428-4A5	. BOLT . . . . .	02
179	AN316-4R	. NUT . . . . .	02
180	MS21047L4	. NUTPLATE . . . . .	02

- ITEM NOT ILLUSTRATED



**CHAPTER**

**28**

**FUEL**





CESSNA®  
**MODEL 525 (SERIALS -0685 AND -0800 AND ON)**  
ILLUSTRATED PARTS CATALOG

<b>CHAPTER SECTION SUBJECT</b>		<b>NUMBER OF PAGES</b>	<b>DATE</b>
28 - TITLE			
28 - LIST OF EFFECTIVE PAGES			
28 - RECORD OF TEMPORARY REVISIONS			
28 - TABLE OF CONTENTS			
28-10-00	Figure 01	2	Jul 1/2014
28-10-00	Figure 02	2	Nov 1/2013
28-20-00	Figure 01	4	Nov 1/2013
28-20-00	Figure 02	2	Nov 1/2013
28-40-00	Figure 01	2	Nov 1/2013
28-40-01	Figure 01	2	Nov 1/2013





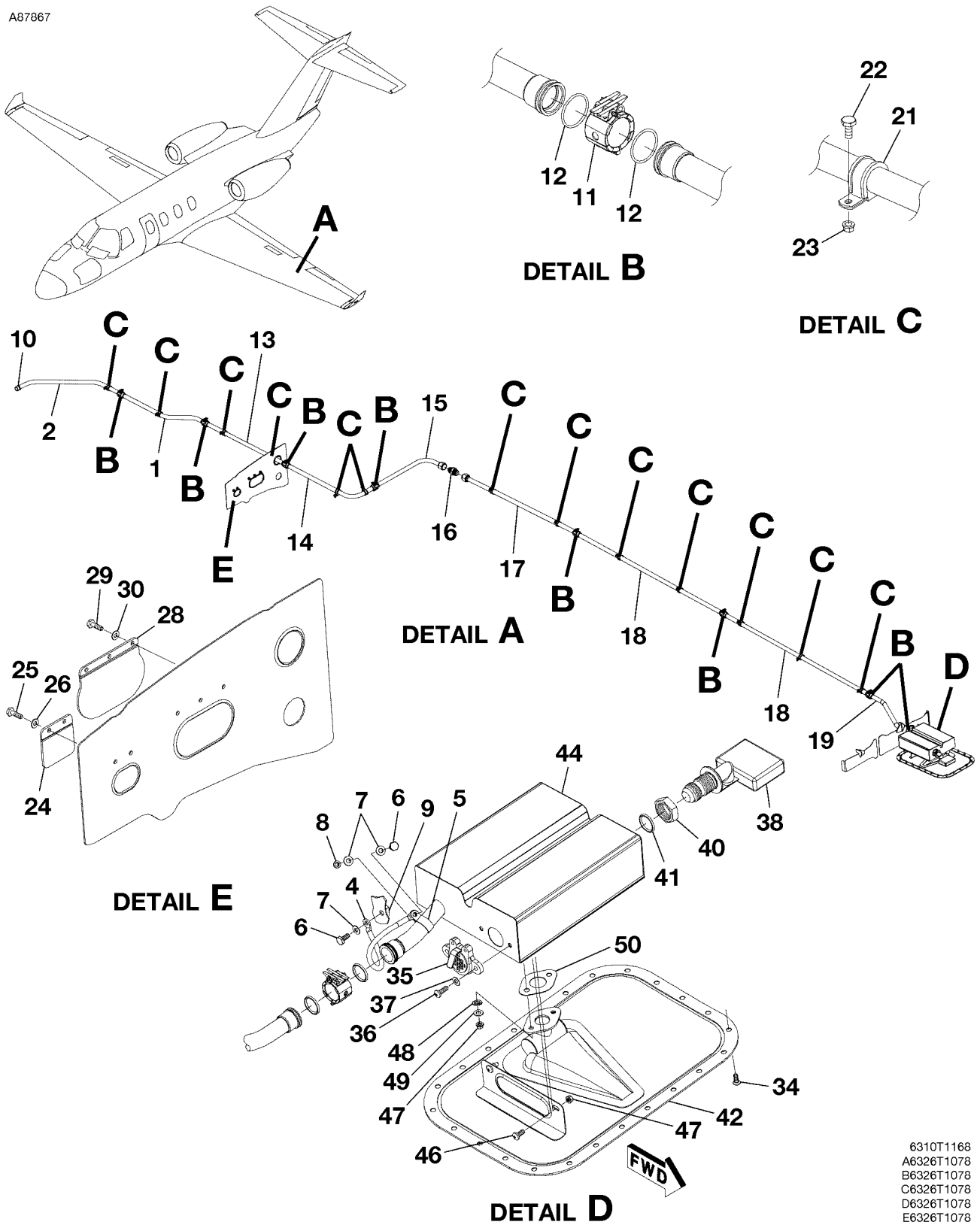


CESSNA®  
**MODEL 525 (SERIALS -0685 AND -0800 AND ON)**  
 ILLUSTRATED PARTS CATALOG

<u>SUBJECT</u>	<u>CHAPTER</u>	<u>FIGURE</u>	<u>EFFECTIVITY</u>	
	<u>SECTION</u>		<u>START</u>	<u>END</u>
	<u>SUBJECT</u>			
WING FUEL SYSTEM - VENT	28-10-00	01		
WING FUEL SYSTEM - COMPONENTS	28-10-00	02		
FUEL DISTRIBUTION SYSTEM - WING ROOT	28-20-00	01		
FUEL DISTRIBUTION SYSTEM - FUSELAGE	28-20-00	02		
FUEL QUANTITY INDICATING SYSTEM	28-40-00	01		
FUEL LOW LEVEL WARNING SYSTEM	28-40-01	01		

CESSNA®  
**MODEL 525 (SERIALS -0685 AND -0800 AND ON)**  
 ILLUSTRATED PARTS CATALOG

A87867



**WING FUEL SYSTEM - VENT**  
 FIGURE 01 (SHEET 1)

6310T1168  
 A6326T1078  
 B6326T1078  
 C6326T1078  
 D6326T1078  
 E6326T1078

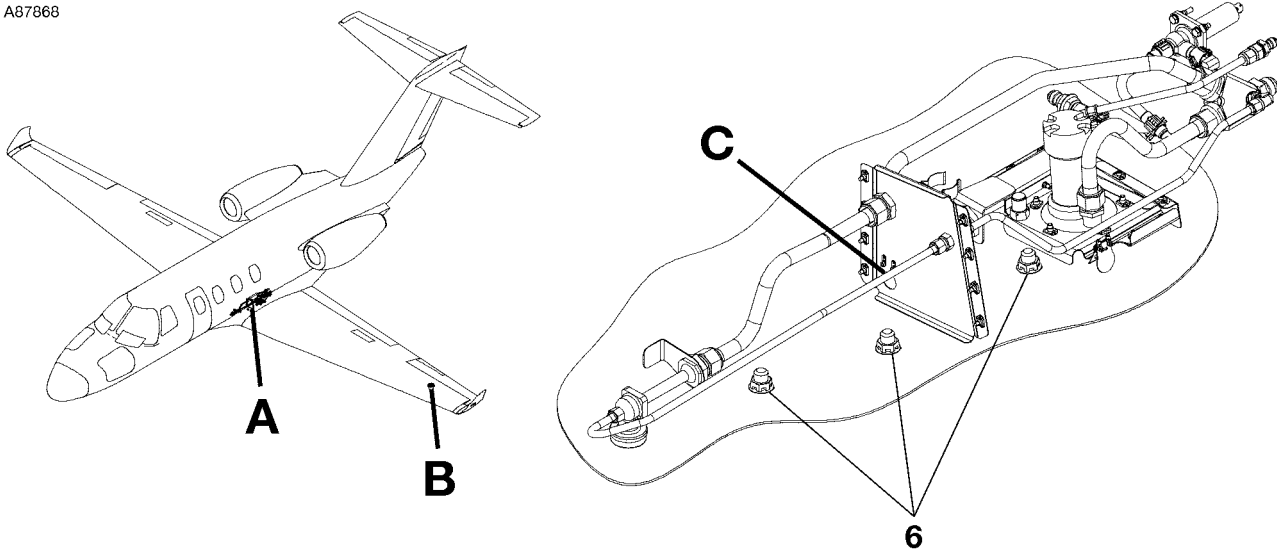
CESSNA®  
**MODEL 525 (SERIALS -0685 AND -0800 AND ON)**  
 ILLUSTRATED PARTS CATALOG

FIG ITEM	PART NUMBER	NOMENCLATURE	UNITS PER ASSY
01		WING FUEL SYSTEM - VENT	RF
-			
1	6326100-26	. LINE ASSY . . . . .	02
2	6326100-27	. LINE ASSY-LH . . . . .	01
- 3	6326100-28	. LINE ASSY-RH . . . . .	01
4	S2876-1BB6	. JUMPER . . . . .	01
5	AN735D12	. CLAMP . . . . .	01
		ATTACHING PARTS	
6	AN3C3A	. BOLT . . . . .	02
7	NAS1149D0332J	. WASHER . . . . .	04
8	MS21043-3	. NUT . . . . .	01
9	MS21059L3	. NUTPLATE . . . . .	01
		—*—	
10	NAS557-12A	. GROMMET . . . . .	02
11	W991-12DE	. COUPLING . . . . . V79326	16
12	MS29513-117	. O-RING . . . . .	32
13	6326100-25	. LINE ASSY . . . . .	02
14	6326100-24	. LINE ASSY . . . . .	02
15	6326100-23	. LINE ASSY . . . . .	02
16	AS5174D1212	. UNION . . . . .	02
17	6326207-3	. LINE ASSY . . . . .	02
18	6326100-21	. LINE ASSY . . . . .	04
19	6326100-19	. LINE ASSY-LH . . . . .	01
- 20	6326100-20	. LINE ASSY-RH . . . . .	01
21	MS21919WDF12	. CLAMP . . . . .	26
		ATTACHING PARTS	
22	AN3C3A	. BOLT . . . . .	01
23	MS21043-3	. NUT . . . . .	01
		—*—	
24	9914105-3	. VALVE . . . . .	02
		ATTACHING PARTS	
25	AN3C5A	. BOLT . . . . .	02
26	NAS1149C0332R	. WASHER . . . . .	02 R
		—*—	
- 27		. DELETED-NOT USED . . . . .	R
28	9914105-5	. VALVE CHECK . . . . .	02
		ATTACHING PARTS	
29	AN3C5A	. BOLT . . . . .	03
30	NAS1149C0332R	. WASHER . . . . .	03 R
		—*—	
- 31		. DELETED-NOT USED . . . . .	R
- 32	7326401-11	. SURGE TANK AND PANEL ASSY-LH . . . . .	01
- 33	7326401-12	. SURGE TANK AND PANEL ASSY-RH . . . . .	01
		ATTACHING PARTS	
34	CM3866-1	. SCREW . . . . .	24
		—*—	
35	9914475-1	. FLAPPER VALVE . . . . .	01
		ATTACHING PARTS	
36	MS27039C1-09	. SCREW . . . . .	02
37	NAS1149C0316R	. WASHER . . . . .	02
		—*—	
38	9912016-1	. VENT VALVE-FLOAT FUEL SURGE TANK FSO 9912016-2 . . . . .	NP
- 39	9912016-2	. VENT VALVE-FLOAT FUEL SURGE TANK FOR SPARES ONLY . . . . .	01
40	AS5178W10	. NUT . . . . .	01
41	MS29512-10	. O-RING . . . . .	01
42	7326401-7	. PANEL-LH SCOOP ASSY . . . . .	01
- 43	7326401-8	. PANEL-RH SCOOP ASSY . . . . .	01
44	7326401-13	. SURGE TANK ASSY-LH . . . . .	01
- 45	7326401-14	. SURGE TANK ASSY-RH . . . . .	01
		ATTACHING PARTS	
46	MS27039C1-07	. SCREW . . . . .	02
47	MS21043-3	. NUT . . . . .	04
48	750-0000-10	. THREAD SEAL . . . . . V83259	02
49	NAS1149C0316R	. WASHER . . . . .	02
		—*—	
50	6326101-29	. GASKET . . . . .	01

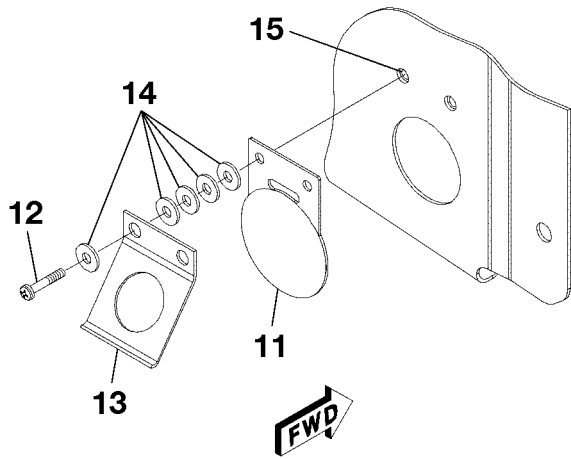
- ITEM NOT ILLUSTRATED

CESSNA®  
**MODEL 525 (SERIALS -0685 AND -0800 AND ON)**  
 ILLUSTRATED PARTS CATALOG

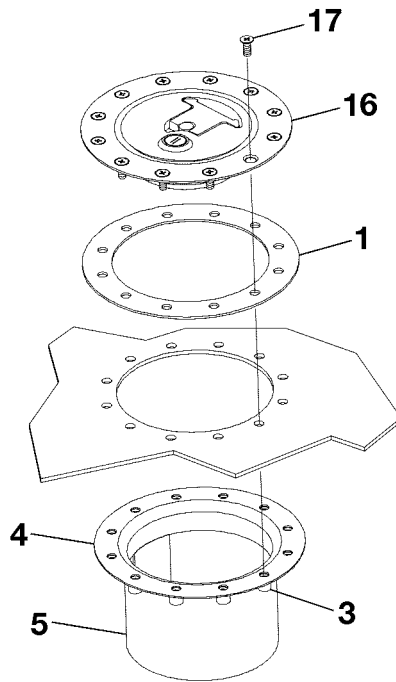
A87868



**DETAIL A**



**DETAIL C**



**DETAIL B**

WING FUEL SYSTEM - COMPONENTS  
 FIGURE 02 (SHEET 1)

6310T1168  
 A6326T1077  
 B6326T1077  
 C6326T1077



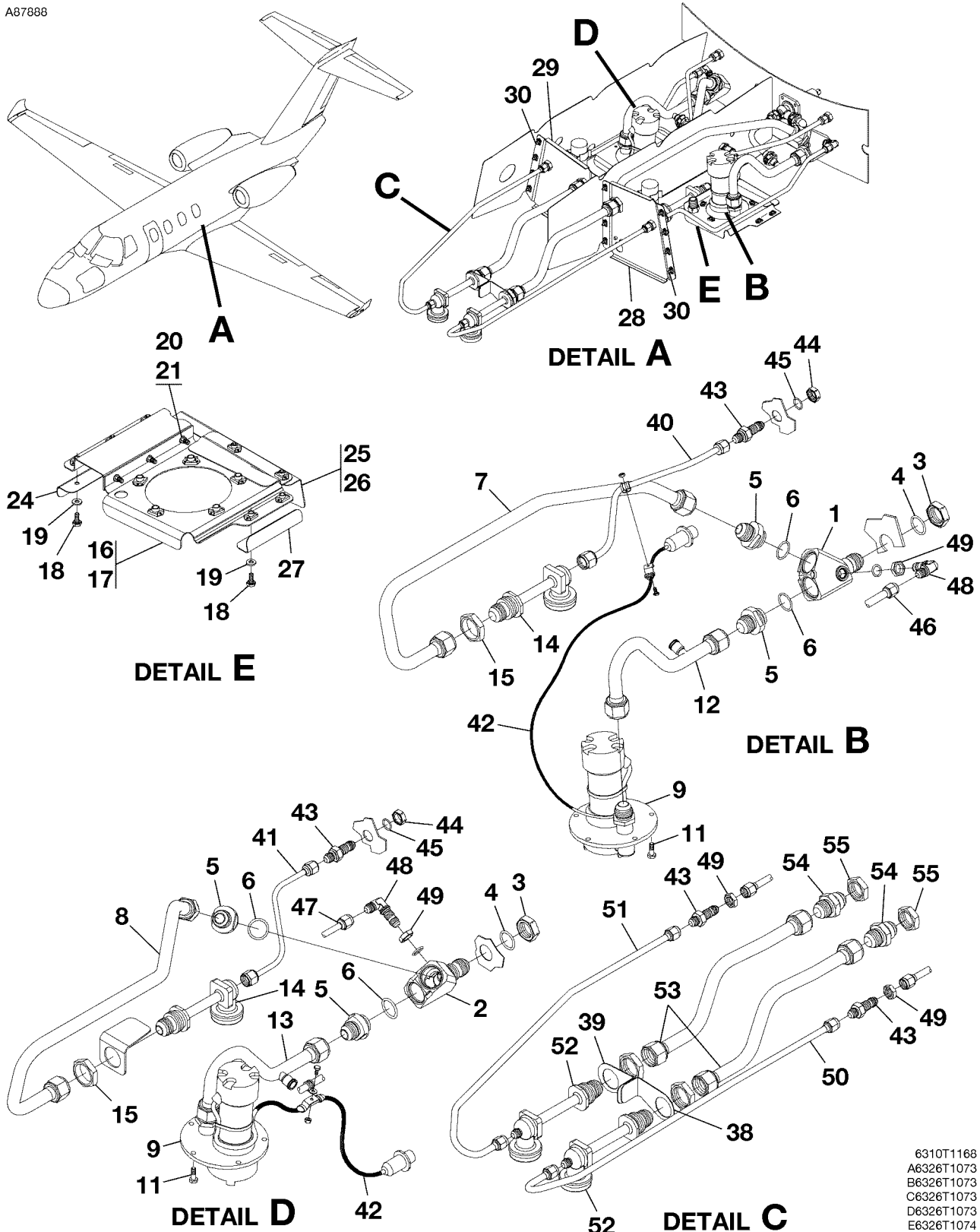
CESSNA®  
**MODEL 525 (SERIALS -0685 AND -0800 AND ON)**  
 ILLUSTRATED PARTS CATALOG

FIG ITEM	PART NUMBER	NOMENCLATURE	UNITS
			PER ASSY
02		WING FUEL SYSTEM - COMPONENTS	RF
-			
1	5526251-6	. GASKET . . . . .	02
- 2	6326275-4	. STANDPIPE ASSY . . . . .	01
3	NAS1474A3	. . NUTPLATE . . . . .	12
4	5526250-3	. . STAND PIPE . . . . .	01
5	6326275-5	. . GUARD . . . . .	01
6	9912083-2	. DRAIN VALVE-FUEL WING . . . . .	08
- 7	M83248/1-020	. . O-RING . . . . .	AR
- 8	NAS1149C1232R	. . WASHER . . . . .	AR
- 9	856B	. . NUT . . . . . V91511	AR
- 10	M25988/1-010	. . O-RING . . . . .	01
11	9912071-5	. VALVE-FLAPPER CHECK . . . . .	04
		ATTACHING PARTS	
12	MS35206-217	. SCREW . . . . .	02
13	5526300-21	. BRACKET . . . . .	01
14	NAS1149CN432R	. WASHER . . . . .	AR
15	MS21071-04	. NUTPLATE . . . . .	02
		—*—	
16	416-1690-2	. FILLER CAP AND ADAPTER ASSY . . . . . V99321	01
		ATTACHING PARTS	
17	CM3738-6	. SCREW . . . . .	12
		—*—	
- 18	416-1617-2	. . CAP . . . . . V99321	01
- 19	416-842	. . APAPTER . . . . . V99321	01
- 20	452-16-12	. . LANYARD . . . . . V99321	01

- ITEM NOT ILLUSTRATED

CESSNA®  
**MODEL 525 (SERIALS -0685 AND -0800 AND ON)**  
 ILLUSTRATED PARTS CATALOG

A87888



FUEL DISTRIBUTION SYSTEM - WING ROOT  
 FIGURE 01 (SHEET 1)

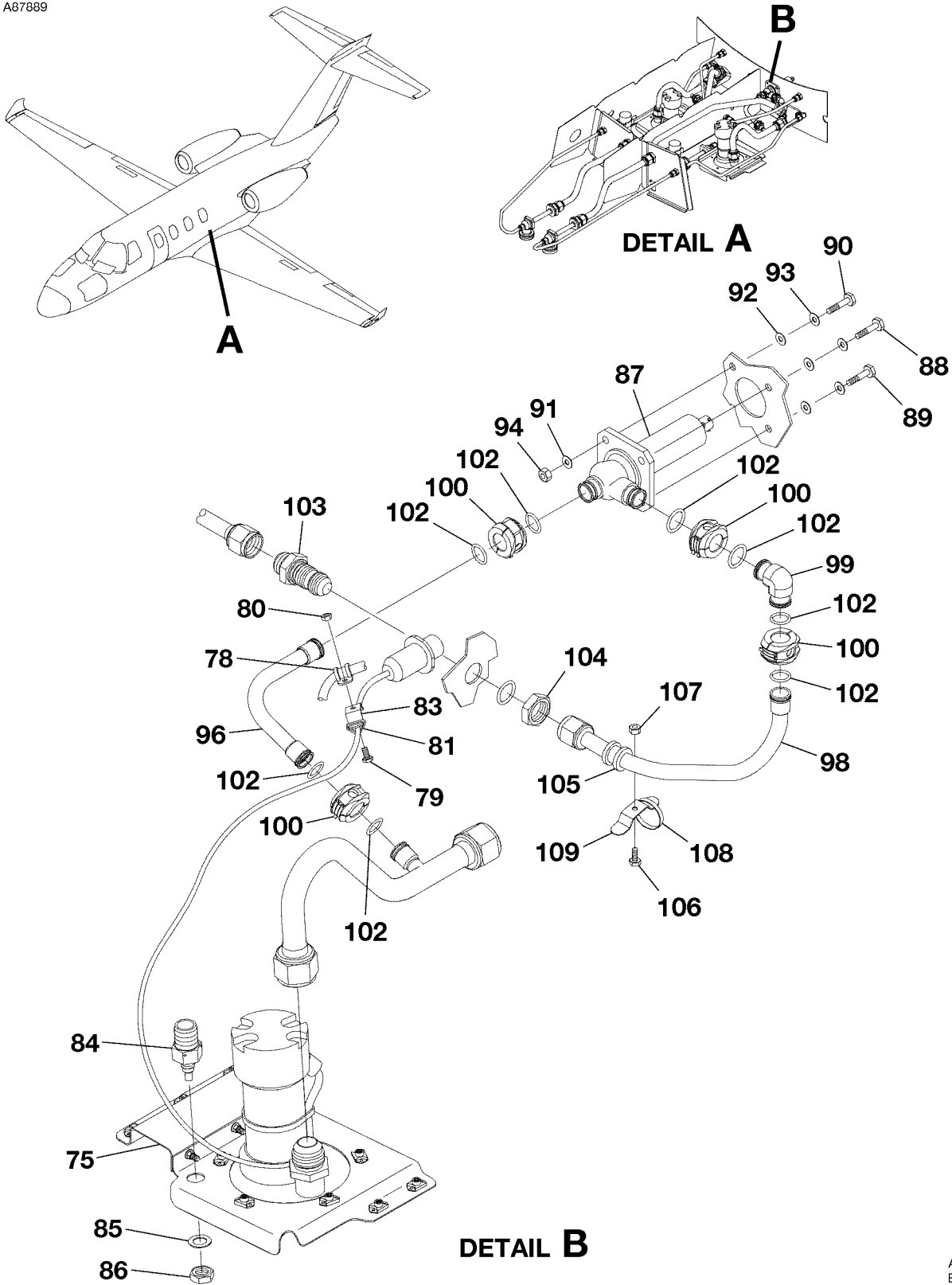
6310T1168  
 A6326T1073  
 B6326T1073  
 C6326T1073  
 D6326T1073  
 E6326T1074

CESSNA®  
**MODEL 525 (SERIALS -0685 AND -0800 AND ON)**  
 ILLUSTRATED PARTS CATALOG

FIG ITEM	PART NUMBER	NOMENCLATURE	UNITS
			PER ASSY
01		FUEL DISTRIBUTION SYSTEM - WING ROOT	RF
-			
1	6316502-1	. FITTING-LH . . . . .	01
2	6316502-2	. FITTING-RH . . . . .	01
3	AN6289D12	. NUT . . . . .	02
4	MS29513-214	. O-RING . . . . .	04
5	12C204	. CHECK VALVE . . . . . V82829	04
6	MS29513-217	. O-RING . . . . .	04
7	6326200-75	. TUBE ASSY-LH . . . . .	01
8	6326200-76	. TUBE ASSY-RH . . . . .	01
9	9912017-4	. FUEL PUMP-ELECTRIC . . . . .	02
- 10	MS29513-022	. O-RING PL010 & PR010 CONNECTORS AT BULKHEAD . . . . .	01
11	AN4C6A	. BOLT . . . . .	10
12	6326200-71	. TUBE WELDMENT-LH . . . . .	01
13	6326200-72	. TUBE WELDMENT-RH . . . . .	01
14	9912190-2	. PUMP-EJECTOR-FUEL TRANSFER . . . . .	02
15	AN924-16D	. NUT . . . . .	06
16	6326300-69	. PLATE ASSY-LH PUMP SUPPORT . . . . .	01
17	6326300-70	. PLATE ASSY-RH PUMP SUPPORT . . . . .	01
		ATTACHING PARTS	
18	AN3C3	. BOLT . . . . .	07
19	NAS1149C0363R	. WASHER . . . . .	07
20	AN3C4A	. BOLT . . . . .	03
21	MS21043-3	. NUT . . . . .	03
		—*—	
- 22	MS21076-4N	. NUTPLATE . . . . .	05
- 23	MS21076-3N	. NUTPLATE . . . . .	07
24	6326300-41	. ANGLE . . . . .	02
25	6326300-15	. ANGLE-LH . . . . .	01
26	6326300-16	. ANGLE-RH . . . . .	01
27	6326300-17	. ANGLE . . . . .	02
28	6326300-3	. CLOSURE PANEL ASSY-LH . . . . .	01
29	6326300-4	. CLOSURE PANEL ASSY-RH . . . . .	01
		ATTACHING PARTS	
30	MS27039C1-07	. SCREW . . . . .	08
		—*—	
- 31	6326300-5	. PANEL-LH . . . . .	01
- 32	6326300-6	. PANEL-RH . . . . .	01
- 33	5526300-21	. BRACKET . . . . .	01
		ATTACHING PARTS	
- 34	MS35206-217	. SCREW . . . . .	02
- 35	NAS1149CN432R	. WASHER . . . . .	02
- 36	MS21071-04	. NUTPLATE . . . . .	02
		—*—	
- 37	9912071-5	. VALVE . . . . .	01
38	6326300-23	. SUPPORT BRACKET-LH . . . . .	01
39	6326300-24	. SUPPORT BRACKET-RH . . . . .	01
40	6326200-49	. TUBE ASSY-LH . . . . .	01
41	6326200-50	. TUBE ASSY-RH . . . . .	01
42	P990100	. SPIRAL WRAP-BKI . . . . .	AR
43	AN832-6D	. UNION-BULKHEAD . . . . .	04
44	AN6289D6	. NUT . . . . .	02
45	MS29513-112	. O-RING . . . . .	05
46	6326200-77	. TUBE ASSY-LH . . . . .	01
47	6326200-78	. TUBE ASSY-RH . . . . .	01
48	AN833-6D	. ELBOW . . . . .	02
49	AN924-6D	. NUT . . . . .	04
50	6326200-31	. TUBE ASSY-LH . . . . .	01
51	6326200-32	. TUBE ASSY-RH . . . . .	01
52	9912190-3	. PUMP-FUEL TRANSFER . . . . .	02
53	6326200-13	. TUBE ASSY . . . . .	02
54	AS5174D1212	. UNION . . . . .	02
55	AN924-12D	. NUT . . . . .	02

CESSNA®  
**MODEL 525 (SERIALS -0685 AND -0800 AND ON)**  
 ILLUSTRATED PARTS CATALOG

A87889



**FUEL DISTRIBUTION SYSTEM - WING ROOT**  
 FIGURE 01 (SHEET 2)

6310T1168  
 A6326T1073  
 B6326T1073

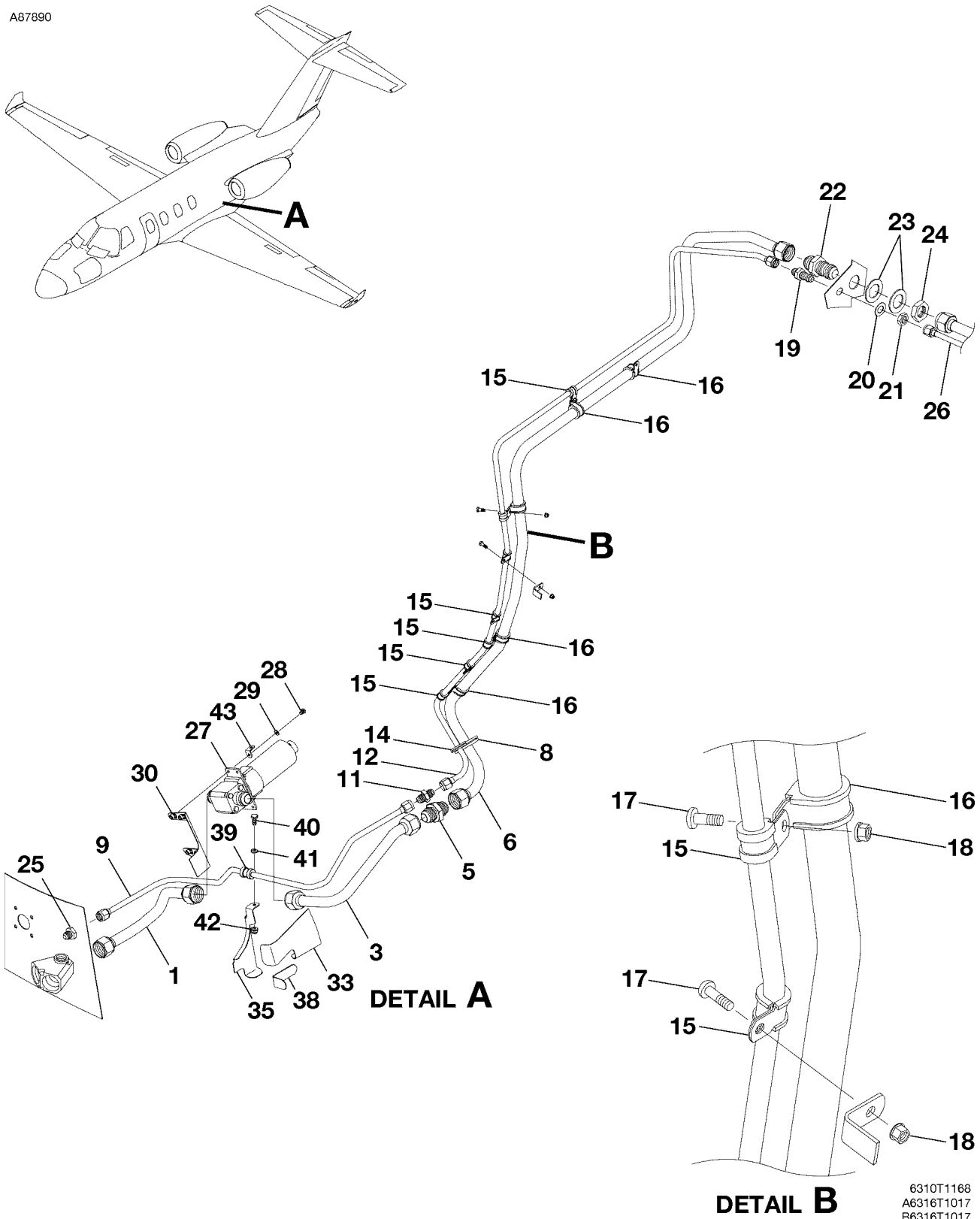
CESSNA®  
**MODEL 525 (SERIALS -0685 AND -0800 AND ON)**  
 ILLUSTRATED PARTS CATALOG

FIG ITEM	PART NUMBER	NOMENCLATURE	UNITS
			PER ASSY
		1 2 3 4 5 6 7	
01			
75	6326300-63	. BRACKET ASSY-LH . . . . .	01
- 76	6326300-64	. BRACKET ASSY-RH . . . . .	01
- 77	MS21076-3N	. NUTPLATE . . . . .	03
78	MS21919WDF6	. CLAMP . . . . . ATTACHING PARTS	02
79	AN3C4A	. BOLT . . . . .	01
80	MS21043-3	. NUT . . . . . —*—	01
81	MS3367-1-9	. STRAP . . . . .	02
- 82	S3529-1A1	. ANCHOR ASSY-RH . . . . .	01
83	6318805-3	. ANCHOR ASSY . . . . .	02
84	MS28034-3	. BULB . . . . .	02
85	NAS1149D0716K	. WASHER . . . . .	02
86	AN924-4D	. NUT . . . . .	02
87	6326200-41	. VALVE ASSY-LH CROSS FEED FUEL . . . . . ATTACHING PARTS	01
88	AN4C7A	. BOLT . . . . .	02
89	AN4C10A	. BOLT . . . . .	01
90	AN4C12A	. BOLT . . . . .	01
91	NAS1149C0432R	. WASHER . . . . .	04
92	600-015-1/4	. STATO-SEAL . . . . . V83259	04
93	NAS1149C0463R	. WASHER . . . . .	04
94	MS21042L4	. NUT . . . . . —*—	04
- 95	MS29513-217	. O-RING-CROSS-FEED VALVE . . . . .	01
96	6326200-81	. TUBE ASSY-LH TRANSFER . . . . .	01
- 97	6326200-80	. TUBE ASSY-RH TRANSFER . . . . .	01
98	6326200-79	. TUBE ASSY-LH TRANSFER CENTER . . . . .	01
99	W951-8DE	. ELBOW ASSY . . . . . V79326	01
100	W991-08DE	. COUPLING . . . . . V79326	04
- 101	W991-8DE	. COUPLING ALT FOR W991-08DE . . . . . V79326	04
102	MS29513-015	. O-RING . . . . .	08
103	6326601-34	. UNION . . . . .	01
104	AN924-8D	. NUT . . . . .	01
105	MS21919WDF8	. CLAMP . . . . . ATTACHING PARTS	02
106	AN3C4A	. BOLT . . . . .	01
107	MS21043-3	. NUT . . . . . —*—	01
108	MS3367-1-9	. STRAP . . . . .	02
109	S3529-1B1	. ANCHOR ASSY . . . . .	01

- ITEM NOT ILLUSTRATED

CESSNA®  
**MODEL 525 (SERIALS -0685 AND -0800 AND ON)**  
 ILLUSTRATED PARTS CATALOG

A87890



FUEL DISTRIBUTION SYSTEM - FUSELAGE  
 FIGURE 02 (SHEET 1)

6310T1168  
 A6316T1017  
 B6316T1017

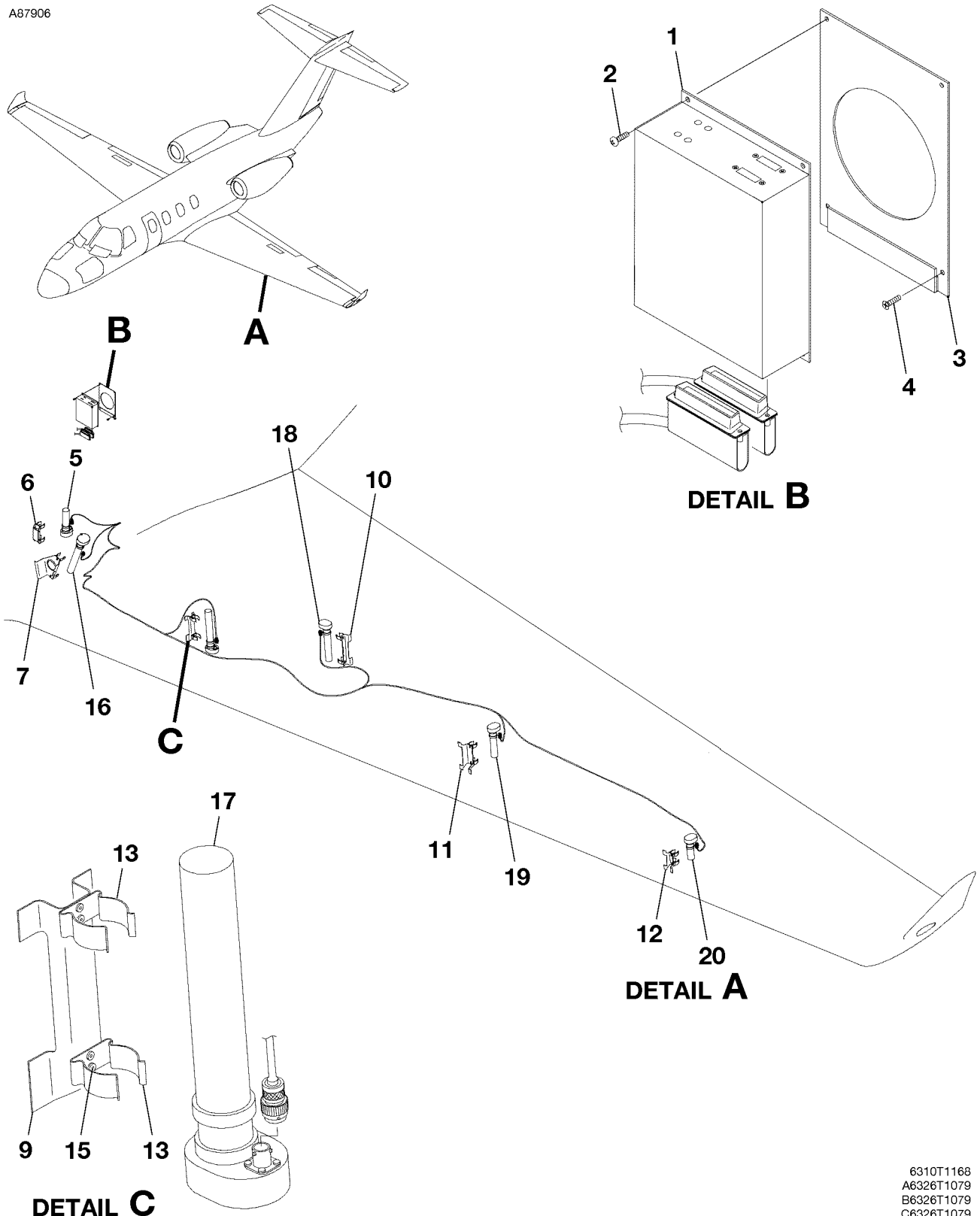
CESSNA®  
**MODEL 525 (SERIALS -0685 AND -0800 AND ON)**  
 ILLUSTRATED PARTS CATALOG

FIG ITEM	PART NUMBER	NOMENCLATURE	UNITS
			PER ASSY
02		FUEL DISTRIBUTION SYSTEM - FUSELAGE	RF
- 1	6316000-69	. TUBE ASSY-LH	01
- 2	6316000-70	. TUBE ASSY-RH	01
- 3	6316000-71	. TUBE ASSY-LH	01
- 4	6316000-72	. TUBE ASSY-RH	01
5	AS5174D1212	. UNION	02
6	6316000-73	. TUBE ASSY-LH	01
- 7	6316000-74	. TUBE ASSY-RH	01
8	MS35489-120	. GROMMET	04
9	6316000-75	. TUBE ASSY-LH MOTIVE FUEL	01
- 10	6316000-76	. TUBE ASSY-RH MOTIVE FUEL	01
11	AS5174D0606	. UNION	04
12	6316000-77	. TUBE ASSY-LH MOTIVE FUEL	01
- 13	6316000-78	. TUBE ASSY-RH MOTIVE FUEL	01
14	MS35489-12	. GROMMET	04
15	MS21919WDG6	. CLAMP	11
16	MS21919WDG12	. CLAMP	08
		ATTACHING PARTS	
17	MS27039-1-08	. SCREW	01
18	MS21042L3	. NUT	01
		—*—	
19	AN832-6J	. UNION-BULKHEAD	02
20	NAS1149F0932P	. WASHER	02
21	AN924-6J	. NUT	02
22	AN832-12J	. UNION-BULKHEAD	02
23	NAS1149F1732P	. WASHER	04
24	AN924-12J	. NUT	02
25		. FUEL DISTRIBUTION SYSTEM-WING ROOT REFER TO 28-20-00 FIGURE 01	RF
26		. ENGINE FUEL SUPPLY SYSTEM REFER TO 73-10-00 FIGURE 01	RF
27	9912014-3	. VALVE-FUEL MOTOR ACTUATED	02
		ATTACHING PARTS	
28	AN3-5A	. BOLT	04
29	NAS1149F0363P	. WASHER	04
		—*—	
30	6316000-61	. BRACKET ASSY-LH FIREWALL SHUTOFF	01
- 31	6316000-62	. BRACKET ASSY-RH FIREWALL SHUTOFF	01
- 32	MS21086L3	. NUTPLATE	04
33	6316000-43	. BRACKET-LH LWR FIREWALL SHUTOFF	01
- 34	6316000-44	. BRACKET-RH LWR FIREWALL SHUTOFF	01
35	6316000-57	. BRACKET ASSY-LH MOTIVE FUEL	01
- 36	6316000-58	. BRACKET ASSY-RH MOTIVE FUEL	01
- 37	MS21086L3	. NUTPLATE	02
38	6316000-47	. MOTIVE FLOW ANGLE	02
39	MS21919WDG6	. CLAMP	02
		ATTACHING PARTS	
40	AN3-4A	. BOLT	01
41	NAS1149F0332P	. WASHER	02
42	MS21043-3	. NUT	01
		—*—	
43	AN743C12	. BRACKET	02

- ITEM NOT ILLUSTRATED

CESSNA®  
**MODEL 525 (SERIALS -0685 AND -0800 AND ON)**  
 ILLUSTRATED PARTS CATALOG

A87906



FUEL QUANTITY INDICATING SYSTEM  
 FIGURE 01 (SHEET 1)

6310T1168  
 A6326T1079  
 B6326T1079  
 C6326T1079



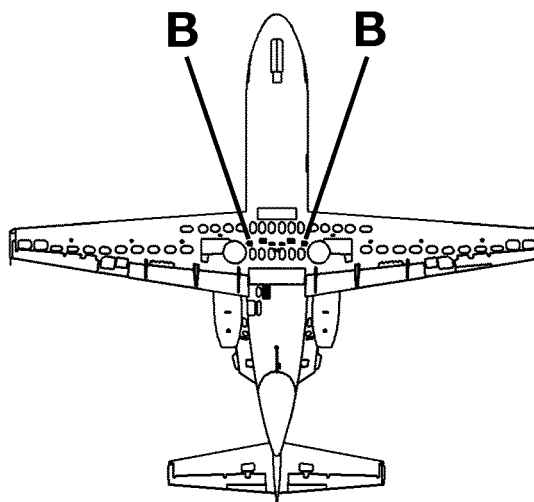
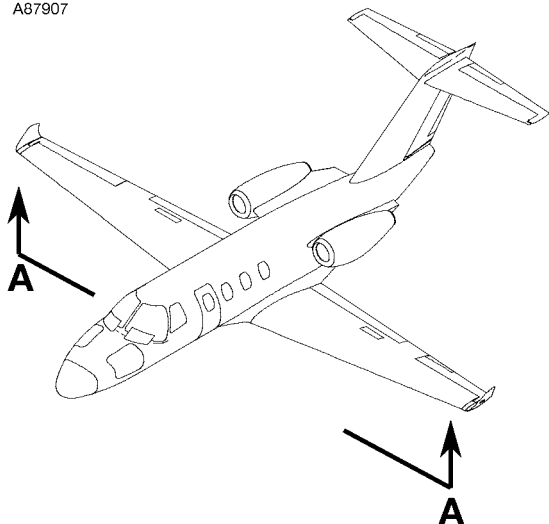
CESSNA®  
**MODEL 525 (SERIALS -0685 AND -0800 AND ON)**  
 ILLUSTRATED PARTS CATALOG

FIG ITEM	PART NUMBER	NOMENCLATURE	UNITS
			PER ASSY
01		FUEL QUANTITY INDICATING SYSTEM	RF
-			
1	9912412-7	. SIGNAL CONDITIONER . . . . .	01
		ATTACHING PARTS	
2	MS35206-230	. SCREW . . . . .	02
		—*—	
3	6318115-8	. RETAINER ASSY-SIGNAL CONDITIONER . . . . .	01
		ATTACHING PARTS	
4	MS24693-S28	. SCREW . . . . .	02
		—*—	
5	9912412-8	. PROBE TRANSMITTER-FUEL QUANTITY UL012 AND UR012 . . . . .	02
6	6326251-38	. BRACKET ASSY . . . . .	02
7	6326251-35	. BRACKET ASSY-LH . . . . .	01
- 8	6326251-36	. BRACKET ASSY-RH . . . . .	01
9	6326251-33	. BRACKET ASSY . . . . .	02
10	6326251-32	. BRACKET ASSY . . . . .	02
11	6326251-31	. BRACKET ASSY . . . . .	02
12	6326251-30	. BRACKET ASSY . . . . .	02
13	100-300-17A4	. . . . . HOLDER-UPR AND LWR FSO S3855-1 . . . . . V99378	NP
- 14	S3855-1	. . . . . CLIP-FOR SPARES ONLY . . . . .	02
15	NAS620-5	. . . . . WASHER-LWR HOLDER . . . . .	01
16	9912412-5	. PROBE-FUEL UL005 AND UR005 REFER TO NOTE 1 . . . . .	02
17	9912412-4	. PROBE-FUEL UL004 AND UR004 REFER TO NOTE 1 . . . . .	02
18	9912412-3	. PROBE-FUEL UL003 AND UR003 REFER TO NOTE 1 . . . . .	02
19	9912412-2	. PROBE-FUEL UL002 AND UR002 REFER TO NOTE 1 . . . . .	02
20	9912412-1	. PROBE-FUEL UL001 AND UR001 REFER TO NOTE 1 . . . . .	02

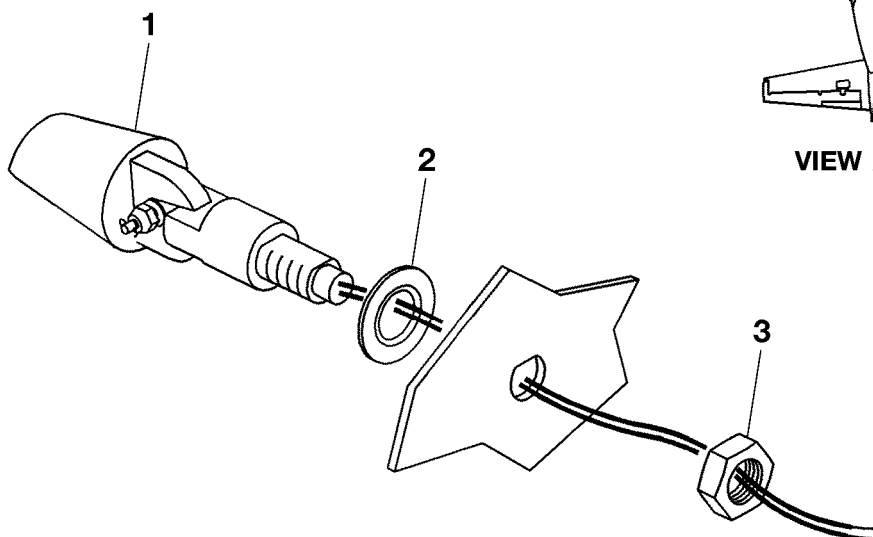
NOTE 1—REFER TO MAINTENANCE MANUAL FOR SUPPLIERS PUBLICATION LIST.

CESSNA®  
MODEL 525 (SERIALS -0685 AND -0800 AND ON)  
ILLUSTRATED PARTS CATALOG

A87907



VIEW A-A



DETAIL B

FUEL LOW LEVEL WARNING SYSTEM  
FIGURE 01 (SHEET 1)

6310T1168  
AA6326R1012  
B6326R1010

CESSNA®  
**MODEL 525 (SERIALS -0685 AND -0800 AND ON)**  
 ILLUSTRATED PARTS CATALOG

FIG ITEM	PART NUMBER	1 2 3 4 5 6 7	NOMENCLATURE	UNITS PER ASSY
01			FUEL LOW LEVEL WARNING SYSTEM	RF
-			. SWITCH-FUEL LOW LEVEL LH AND RH SL001 AND SR001 . . . . . V58918	02
1	GIF5400-40		ATTACHING PARTS	
2	NAS1523AA9R		. O-RING . . . . .	01
3	AN924-5D		. NUT . . . . .	01
			—*—	

- ITEM NOT ILLUSTRATED



**CHAPTER**

**29**

**HYDRAULIC POWER**



CESSNA®  
**MODEL 525 (SERIALS -0685 AND -0800 AND ON)**  
ILLUSTRATED PARTS CATALOG

<b>CHAPTER SECTION SUBJECT</b>		<b>NUMBER OF PAGES</b>	<b>DATE</b>
29 - TITLE			
29 - LIST OF EFFECTIVE PAGES			
29 - RECORD OF TEMPORARY REVISIONS			
29 - TABLE OF CONTENTS			
29-10-00	Figure 01	8	Dec 1/2017
29-10-00	Figure 02	4	Jun 1/2015







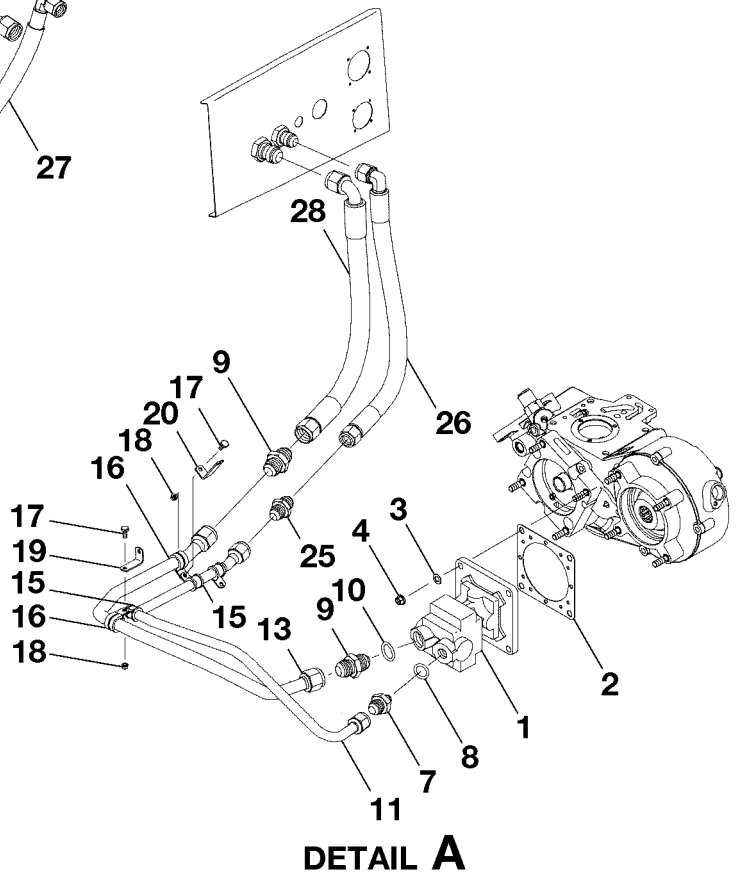
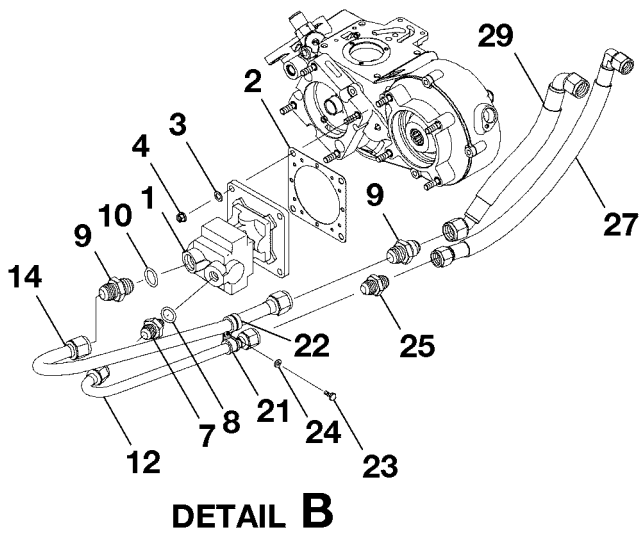
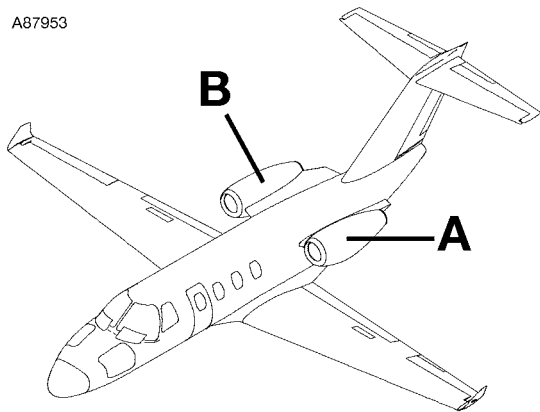


CESSNA®  
**MODEL 525 (SERIALS -0685 AND -0800 AND ON)**  
ILLUSTRATED PARTS CATALOG

<u>SUBJECT</u>	<u>CHAPTER</u>	<u>FIGURE</u>	<u>EFFECTIVITY</u>	
	<u>SECTION</u>		<u>START</u>	<u>END</u>
	<u>SUBJECT</u>			
HYDRAULIC SYSTEM	29-10-00	01		
HYDRAULIC SYSTEM COMPONENTS	29-10-00	02		

CESSNA®  
**MODEL 525 (SERIALS -0685 AND -0800 AND ON)**  
 ILLUSTRATED PARTS CATALOG

A87953



HYDRAULIC SYSTEM  
 FIGURE 01 (SHEET 1)

6310T1168  
 A6317T1206  
 B6317T1207

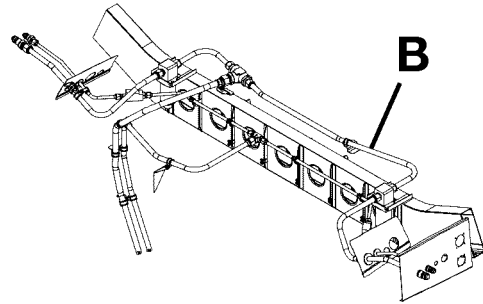
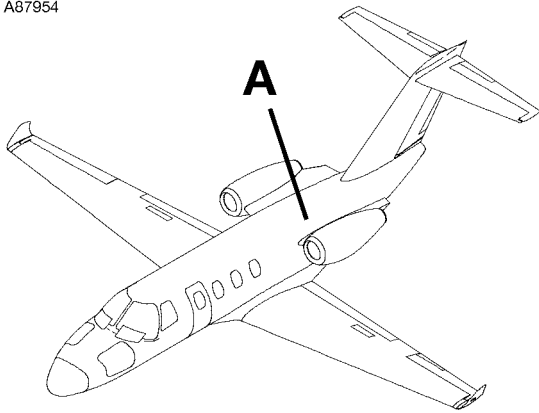
CESSNA®  
**MODEL 525 (SERIALS -0685 AND -0800 AND ON)**  
 ILLUSTRATED PARTS CATALOG

FIG ITEM	PART NUMBER	NOMENCLATURE	UNITS PER ASSY		
			1	2	3
01		HYDRAULIC SYSTEM			RF
- 1	9912062-8	. PUMP-ENGINE DRIVEN HYDRAULIC . . . . .			02
		. ATTACHING PARTS			
2	S3365-1	. GASKET-HYDRAULIC PUMP TO ENGINE . . . . .			01
3	NAS1149C0532B	. WASHER . . . . .			04
4	MS21043-5	. NUT . . . . .			04
		—*—			
- 5	6356025-8	. BRACKET ASSY-RH . . . . .			01
- 6	MS21048-3	. . NUTPLATE . . . . .			01
7	AS5174-0806	. REDUCER . . . . .			02
8	M83461/2-906	. O-RING . . . . .			02
9	AS5174-1010	. UNION . . . . .			04
10	M83461/2-910	. O-RING . . . . .			02
11	6356025-13	. TUBE ASSY-LH PRESSURE . . . . .	V00624	0800	0891 01
- 11A	6356025-19	. TUBE ASSY-LH PRESSURE . . . . .		0892	& ON 01
12	6356025-12	. TUBE ASSY-RH PRESSURE . . . . .	V00624		01
13	6356025-11	. TUBE ASSY-LH SUCTION . . . . .	V00624	0800	0891 01
- 13A	6356025-17	. TUBE ASSY-LH SUCTION . . . . .		0892	& ON 01
14	6356025-10	. TUBE ASSY-RH SUCTION . . . . .	V00624	0800	0891 01
- 14A	6356025-16	. TUBE ASSY-RH SUCTION . . . . .		0892	& ON 01
15	MS21919WCJ8	. CLAMP-LH . . . . .			02
16	MS21919WCJ10	. CLAMP-LH . . . . .			02
		. ATTACHING PARTS			
17	AN3C3A	. BOLT . . . . .			01
18	MS21042-3	. NUT . . . . .			01
		—*—			
19	MS9592-136	. BRACKET-LH . . . . .	0800	0891	01
- 19A	MS9592-058	. BRACKET-LH . . . . .	0892	& ON	01
20	MS9592-104	. BRACKET-LH . . . . .			01
21	MS21919WCJ8	. CLAMP-RH . . . . .			01
22	MS21919WCJ10	. CLAMP-RH . . . . .			01
		. ATTACHING PARTS			
23	AN3C4A	. BOLT . . . . .			01
- 23A	AN3C6A	. BOLT . . . . .	0960	& ON	01 R
24	NAS1149C0316R	. WASHER . . . . .			01
- 24A	NAS43DD3-20FC	. SPACER . . . . .	0960	& ON	01 R
		—*—			
25	AS5174-0808	. UNION . . . . .			02
26	AE3663163J0146	. HOSE ASSY-LH PRESSURE . . . . .			01
27	AE3663163H0152	. HOSE ASSY-RH PRESSURE . . . . .			01
28	AE3663163H0166	. HOSE ASSY-LH SUCTION . . . . .			01
29	AE6209J0097-264	. HOSE ASSY-RH SUCTION . . . . .			01

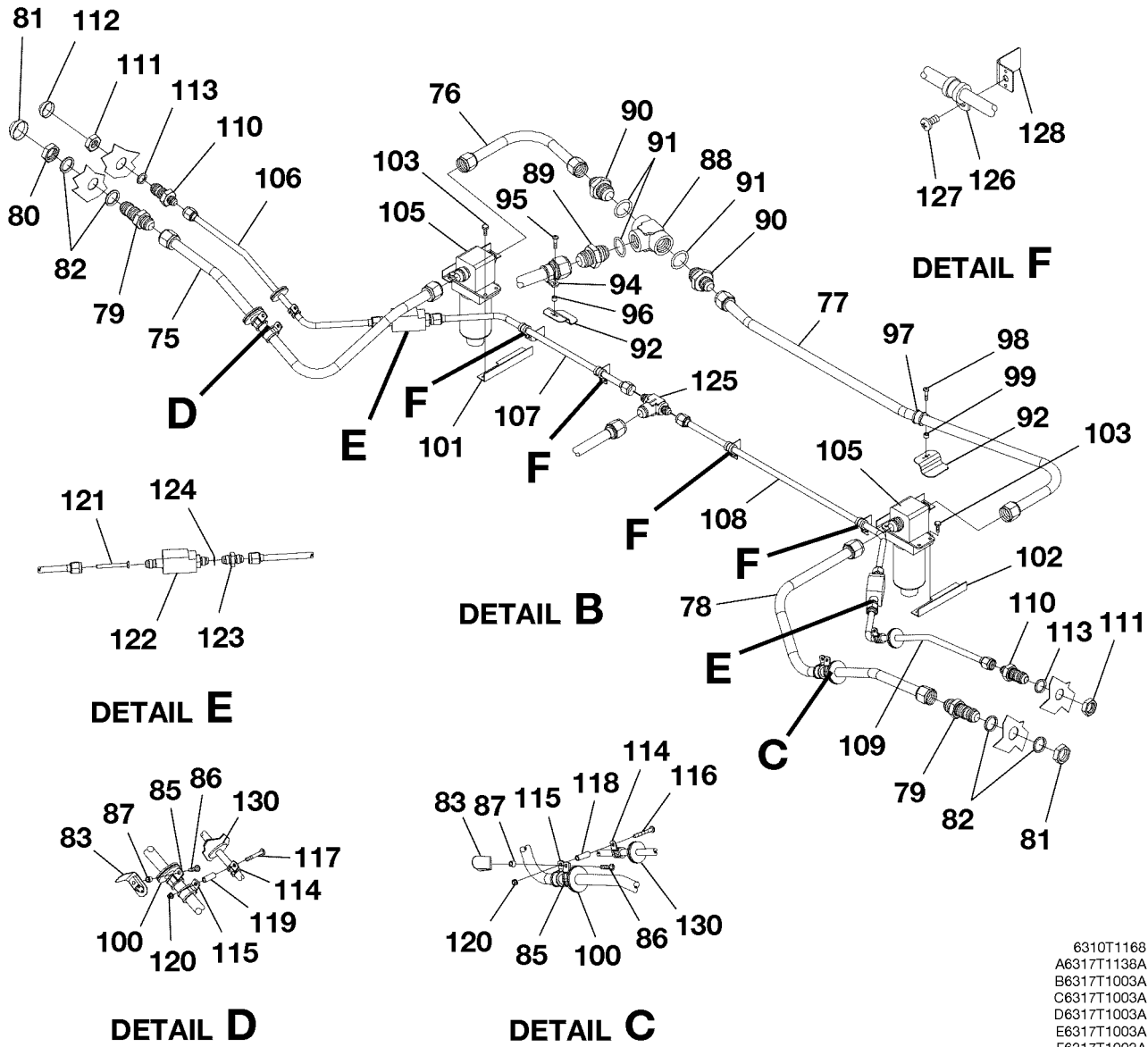
- ITEM NOT ILLUSTRATED

CESSNA®  
**MODEL 525 (SERIALS -0685 AND -0800 AND ON)**  
 ILLUSTRATED PARTS CATALOG

A87954



**DETAIL A**



**DETAIL E**

**DETAIL D**

**DETAIL B**

**DETAIL C**

**DETAIL F**

HYDRAULIC SYSTEM  
 FIGURE 01 (SHEET 2)

6310T1168  
 A6317T1138A  
 B6317T1003A  
 C6317T1003A  
 D6317T1003A  
 E6317T1003A  
 F6317T1003A

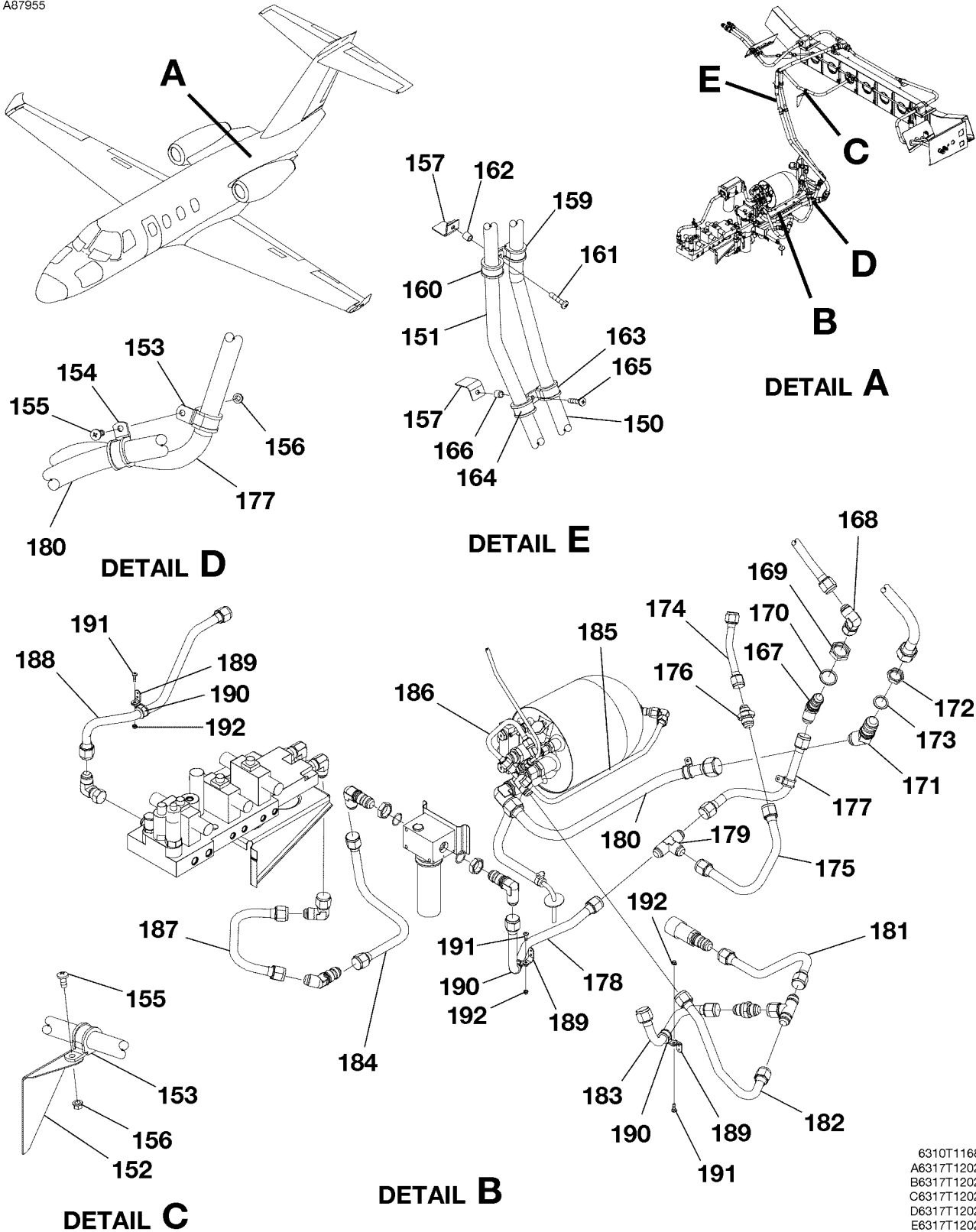
CESSNA®  
**MODEL 525 (SERIALS -0685 AND -0800 AND ON)**  
 ILLUSTRATED PARTS CATALOG

FIG ITEM	PART NUMBER	NOMENCLATURE	UNITS	
			PER	ASSY
01				
75	6317016-22	. TUBE ASSY-SUCTION . . . . .		01
76	6317003-166	. TUBE ASSY . . . . .		01
77	6317003-167	. TUBE ASSY . . . . .		01
78	6317016-6	. TUBE ASSY-SUCTION FSO 6317016-79 . . . . .	0800	0860 NP
- 78A	6317016-79	. TUBE ASSY-SUCTION . . . . .	0861	& ON 01
79	AN832-10J	. UNION . . . . .		02
80	AN924-10J	. NUT . . . . .		02
81	S2692-10N	. SEAL-CONICAL . . . . .		02
82	NAS1149F1490P	. WASHER . . . . .		04
83	6917100-6	. BRACKET ASSY . . . . .		02
- 84	MS21061L3	. NUTPLATE . . . . .		01
85	MS21919WDG10	. CLAMP . . . . .		02
		ATTACHING PARTS		
86	MS27039-1-12	. SCREW . . . . .		01
87	NAS43DD3-16FC	. SPACER . . . . .		01
		—*—		
88	AN938D12	. TEE . . . . .		01
89	AS5174D1212	. UNION . . . . .		01
90	AS5174D1210	. REDUCER . . . . .		02
91	M83461/2-912	. O-RING . . . . .		03
92	6337340-31	. BRACKET ASSY . . . . .		02
- 93	MS21069L3	. NUTPLATE . . . . .		01
94	MS21919WDG12	. CLAMP . . . . .		01
		ATTACHING PARTS		
95	MS27039-1-12	. SCREW . . . . .		01
96	NAS43DD3-15FC	. SPACER . . . . .		01
		—*—		
97	MS21919WDG10	. CLAMP . . . . .		01
		ATTACHING PARTS		
98	MS27039-1-12	. SCREW . . . . .		01
99	NAS43DD3-14FC	. SPACER . . . . .		01
		—*—		
100	MS35489-18	. GROMMET . . . . .		02
101	6317003-163	. SUPPORT ASSY . . . . .		02
102	6317003-164	. SUPPORT ASSY . . . . .		02
		ATTACHING PARTS		
103	AN3C4	. BOLT . . . . .		02
		—*—		
- 104	MS21075L3N	. NUTPLATE . . . . .		02
105	9912400-4	. SHUT-OFF VALVE . . . . .		02
106	6337341-31	. TUBE ASSY-PRESSURE . . . . .		01
107	6337341-35	. TUBE ASSY-PRESSURE . . . . .		01
108	6337341-34	. TUBE ASSY-PRESSURE . . . . .		01
109	6337341-33	. TUBE ASSY-PRESSURE . . . . .		01
110	AS1037J0806	. UNION . . . . .		02
111	AS5178J08	. NUT . . . . .		02
112	S2692-6N	. SEAL-CONICAL . . . . .		02
113	NAS1149F0863P	. WASHER . . . . .		02
114	MS21919WDG6	. CLAMP . . . . .		02
115	MS21919WDG10	. CLAMP . . . . .		02
		ATTACHING PARTS		
116	MS27039-1-22	. SCREW-LH . . . . .		01
117	MS27039-1-20	. SCREW-RH . . . . .		01
118	NAS43DD3-58FC	. SPACER-LH . . . . .		01
119	NAS43DD3-53FC	. SPACER-RH . . . . .		01
120	MS21042L3	. NUT . . . . .		01
		—*—		
121	20666-6-500	. FILTER . . . . .	V10989	02
122	9912194-5	. FLOW SWITCH . . . . .		02
123	AS5174D0606	. UNION . . . . .		02
124	M83461/2-906	. O-RING . . . . .		02
125	AS1035D060610	. TEE . . . . .		01
126	MS21919WDG6	. CLAMP . . . . .		04
		ATTACHING PARTS		
127	MS27039-1-06	. SCREW . . . . .		01
		—*—		
128	6337012-27	. BRACKET ASSY . . . . .		05
- 129	MS21075L3N	. NUTPLATE . . . . .		01
130	MS35489-12	. GROMMET . . . . .		02

- ITEM NOT ILLUSTRATED

CESSNA®  
**MODEL 525 (SERIALS -0685 AND -0800 AND ON)**  
 ILLUSTRATED PARTS CATALOG

A87955



HYDRAULIC SYSTEM  
 FIGURE 01 (SHEET 3)

6310T1168  
 A6317T1202  
 B6317T1202  
 C6317T1202  
 D6317T1202  
 E6317T1202



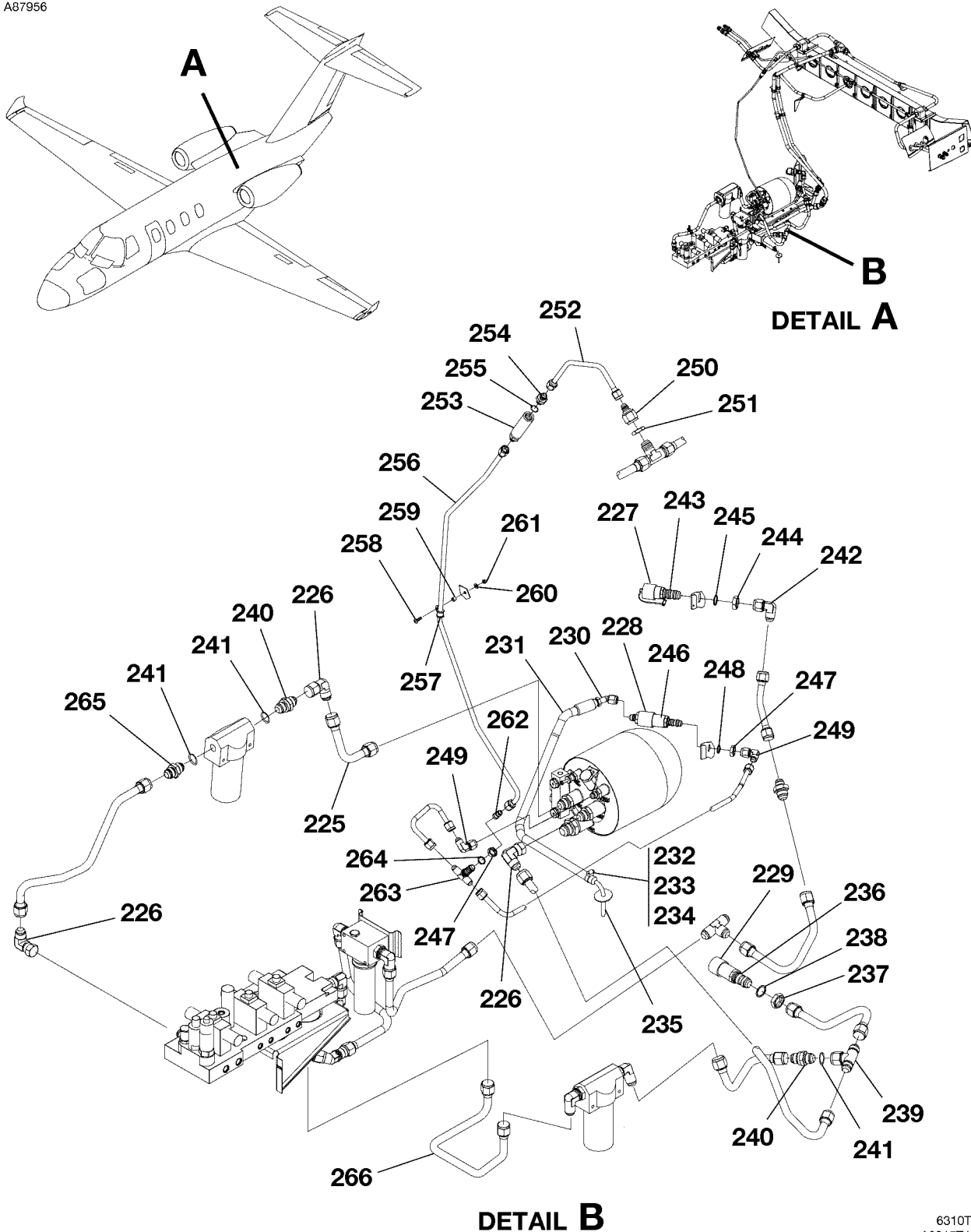
CESSNA®  
**MODEL 525 (SERIALS -0685 AND -0800 AND ON)**  
 ILLUSTRATED PARTS CATALOG

FIG ITEM	PART NUMBER	NOMENCLATURE	UNITS
			PER ASSY
		1 2 3 4 5 6 7	
01			
150	6317016-76	. TUBE ASSY-PRESSURE . . . . .	01
151	6317016-77	. TUBE ASSY-SUCTION . . . . .	01
152	6337012-45	. BRACKET . . . . .	01
153	MS21919WDG10	. CLAMP . . . . .	02
154	MS21919WDG12	. CLAMP . . . . .	01
		ATTACHING PARTS	
155	MS27039-1-07	. SCREW . . . . .	01
156	MS21042L3	. NUT . . . . .	01
		—*—	
157	6337012-25	. BRACKET ASSY . . . . .	02
158	MS21075L3N	. NUTPLATE . . . . .	01
159	MS21919WDG10	. CLAMP . . . . .	01
160	MS21919WDG12	. CLAMP . . . . .	01
		ATTACHING PARTS	
161	MS27039-1-14	. SCREW . . . . .	01
162	NAS43DD3-21FC	. SPACER . . . . .	01
		—*—	
163	MS21919WDG10	. CLAMP . . . . .	01
164	MS21919WDG12	. CLAMP . . . . .	01
		ATTACHING PARTS	
165	MS27039-1-14	. SCREW . . . . .	01
166	NAS43DD3-20FC	. SPACER . . . . .	01
		—*—	
167	AN837-10D	. ELBOW . . . . .	02
168	AS4407D1010	. ELBOW ASSY . . . . .	01
169	AS5178W10	. NUT . . . . .	01
170	NAS1149D1490J	. WASHER . . . . .	01
171	AN837-12D	. ELBOW . . . . .	01
172	AN924-12D	. NUT . . . . .	01
173	NAS1149D1790J	. WASHER . . . . .	01
174	6317016-69	. TUBE ASSY-PRESSURE . . . . .	01
175	6317016-67	. TUBE ASSY-PRESSURE . . . . .	01
176	AS5174D1008	. REDUCER . . . . .	01
177	6317016-68	. TUBE ASSY-PRESSURE . . . . .	01
178	6317016-66	. TUBE ASSY-PRESSURE . . . . .	01
179	AN824-10D	. TEE . . . . .	01
180	6317016-17	. TUBE ASSY-SUCTION . . . . .	01
181	6317016-40	. TUBE ASSY-RETURN . . . . .	01
182	6317016-56	. TUBE ASSY-RETURN . . . . .	01
183	6317016-53	. TUBE ASSY-RETURN . . . . .	01
184	6317016-70	. TUBE ASSY-PRESSURE . . . . .	01
185	6317016-20	. TUBE ASSY RESERVOIR-PRESSURE . . . . .	01
186	6317016-21	. TUBE ASSY RESERVOIR-PRESSURE . . . . .	01
187	6317016-65	. TUBE ASSY-PRESSURE . . . . .	01
188	6317016-52	. TUBE ASSY-GEAR RETURN . . . . .	01
189	S3050-6	. BRACKET . . . . .	03
190	MS21919WDG10	. CLAMP . . . . .	03
		ATTACHING PARTS	
191	MS27039-1-07	. SCREW . . . . .	01
192	MS21042L3	. NUT . . . . .	01
		—*—	

- ITEM NOT ILLUSTRATED

CESSNA®  
**MODEL 525 (SERIALS -0685 AND -0800 AND ON)**  
 ILLUSTRATED PARTS CATALOG

A87956



HYDRAULIC SYSTEM  
 FIGURE 01 (SHEET 4)

6310T1168  
 A6317T1138A  
 B6317T1202

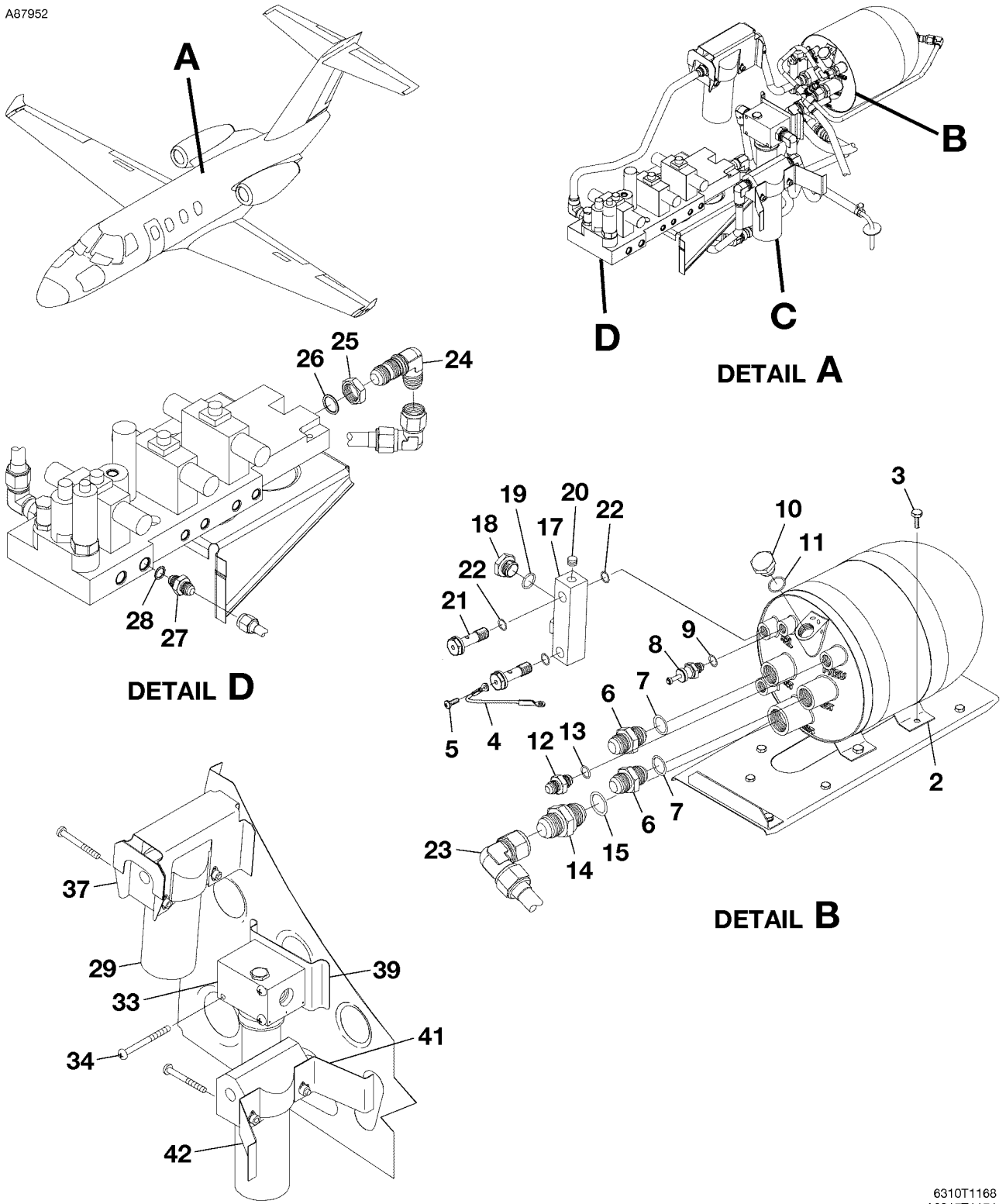
CESSNA®  
**MODEL 525 (SERIALS -0685 AND -0800 AND ON)**  
 ILLUSTRATED PARTS CATALOG

FIG ITEM	PART NUMBER	NOMENCLATURE	UNITS
			PER ASSY
01			
225	6317016-42	. TUBE ASSY-GEAR RETURN . . . . .	01
226	AS4407D1010	. ELBOW ASSY . . . . .	03
227	9912407-2	. PRESSURE COUPLING CAP . . . . .	01
228	9912407-1	. RELIEF COUPLING HALF . . . . .	01
229	9912407-4	. RETURN COUPLING CAP . . . . .	01
230	190265-6S	. ELBOW . . . . . V00624	01
231	FC350-06-00230	. HOSE . . . . . V00624	01
232	S2357-1	. CLAMP . . . . .	01
		ATTACHING PARTS	
233	MS27039-1-05	. SCREW . . . . .	01
234	MS21042L3	. NUT . . . . .	01
		—*—	
235	6317003-171	. WELD ASSY . . . . .	01
236	9912407-10	. RETURN COUPLING HALF . . . . .	01
237	AS5178W10	. NUT . . . . .	01
238	NAS1149D1490H	. WASHER . . . . .	01
239	CM3687D10-10-10	. TEE . . . . .	01
240	1C4858	. CHECK VALVE . . . . . V99240	02
241	M83461/2-910	. O-RING . . . . .	03
242	AS4407D0808	. ELBOW ASSY . . . . .	01
243	9912407-8	. PRESSURE COUPLING HALF . . . . .	01
244	AS5178J08	. NUT . . . . .	01
245	NAS1149F1290P	. WASHER . . . . .	01
246	9912407-11	. RELIEF VALVE . . . . .	01
247	AN924-6D	. NUT . . . . .	02
248	NAS1149D0963H	. WASHER . . . . .	01
249	AS4407D0606	. ELBOW ASSY . . . . .	02
250	NAS1564D10-6	. REDUCER . . . . .	01
251	AN818-10D	. NUT . . . . .	01
252	6317003-80	. TUBE ASSY . . . . .	01
253	CV02-193	. CHECK VALVE . . . . . V91816	01
254	AN919-6D	. REDUCER . . . . .	01
255	M83461/2-904	. O-RING . . . . .	01
256	6317003-134	. TUBE ASSY . . . . .	01
257	MS21919WDG4	. CLAMP . . . . .	01
		ATTACHING PARTS	
258	MS27039-1-09	. SCREW . . . . .	01
259	NAS43DD3-16FC	. SPACER . . . . .	01
260	NAS1149F0332P	. WASHER . . . . .	01
261	MS21042L3	. NUT . . . . .	01
		—*—	
262	NAS1564D6-4	. REDUCER . . . . .	01
263	AN834-6D	. TEE . . . . .	01
264	NAS1149F0963P	. WASHER . . . . .	01
265	AS5174D1010	. UNION . . . . .	01
266	6317016-71	. TUBE ASSY-RETURN . . . . .	01

- ITEM NOT ILLUSTRATED

CESSNA®  
**MODEL 525 (SERIALS -0685 AND -0800 AND ON)**  
 ILLUSTRATED PARTS CATALOG

A87952



6310T1168  
 A6317T1174  
 B6317T1174  
 C6317T1174  
 D6317T1174

HYDRAULIC SYSTEM COMPONENTS  
 FIGURE 02 (SHEET 1)

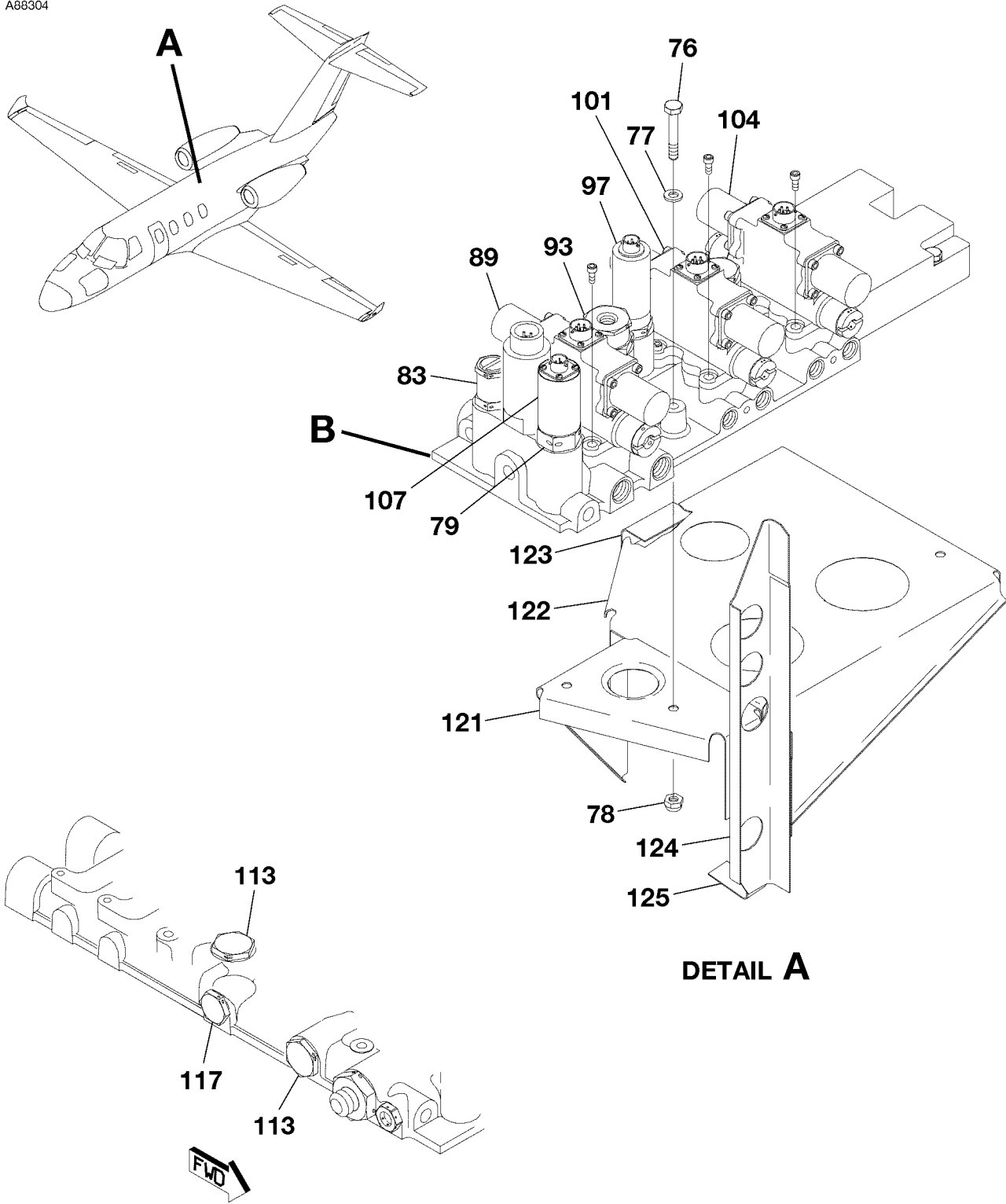
CESSNA®  
**MODEL 525 (SERIALS -0685 AND -0800 AND ON)**  
 ILLUSTRATED PARTS CATALOG

FIG ITEM	PART NUMBER	NOMENCLATURE	UNITS PER ASSY		
			1	2	3
02		HYDRAULIC SYSTEM COMPONENTS			RF
- 1	6317500-16	. HYDRAULIC RESERVOIR . . . . .			01
		ATTACHING PARTS			
2	NH1009753-10	. COUPLER-QUICK . . . . . V00624			02
3	AN4-4A	. BOLT . . . . .			04
4	MS25083-2BC6	. JUMPER ASSY . . . . .			01
5	MS35206-259	. SCREW . . . . .			01
		—*—			
6	AS5174D1010	. UNION-RETURN . . . . .			02
7	M83461/2-910	. O-RING . . . . .			02
8	71C1HX	. VALVE ASSY-RELIEF . . . . . V91511			01
9	M83461/2-904	. O-RING . . . . .			01
10	AS5169D08L	. PLUG-BLEEDER . . . . .			01
11	M83461/2-908	. O-RING . . . . .			01
12	AS5174D0606	. UNION-PNEUMATIC . . . . .			01
13	M83461/2-906	. O-RING . . . . .			01
14	1C5172	. CHECK VALVE-SUCTION . . . . . V99240			01
15	M83461/2-912	. O-RING . . . . .			01
- 16	6317500-20	. SIGHT GAUGE ASSY-HYDRAULIC RESERVOIR . . . . .			01
17	6317500-14	. SIGHT GAUGE BODY . . . . .			01
18	2D8811	. SIGHT PLUG . . . . . V97484			02
19	MS28778-8	. PACKING . . . . .			02
20	S2121-9	. PLUG . . . . .			01
21	6317500-19	. SIGHT GAUGE FLUID SCREW . . . . .			02
22	M83461/1-112	. O-RING . . . . .			04
23	MS51521B12	. ELBOW . . . . .			01
24	AN833-10D	. ELBOW . . . . .			06
25	AS5178W10	. NUT . . . . .			06
26	M83461/2-910	. O-RING . . . . .			06
27	AS5174D0606	. UNION . . . . .			01
28	M83461/2-906	. O-RING . . . . .			01
29	9912372-14	. FILTER ASSY-HYDRAULIC . . . . .			02
- 30	9912372-10	. ELEMENT . . . . .			02
- 31	MS28774-227	. RETAINER . . . . .			02
- 32	MS28775-227	. O-RING . . . . .			01
33	9912579-1	. FILTER LINE-HYDRAULIC FSO 9912579-5 . . . . .	0800	0895	NP R
- 33A	9912579-5	. FILTER LINE-HYDRAULIC . . . . .	0896	& ON	01 R
		ATTACHING PARTS			
34	MS27039-4-44	. SCREW . . . . .			03
		—*—			
- 35	9912579-2	. ELEMENT-HYDRAULIC FILTER 5 MICRON . . . . .			01
- 36	MS28774-130	. RETAINER . . . . .			01
37	6317016-44	. BRACKET ASSY . . . . .			01
- 38	MS21069-4	. NUTPLATE . . . . .			02
39	6317016-72	. BRACKET ASSY-HYDRAULIC FILTER PRESSURE . . . . .			02
		ATTACHING PARTS			
- 39A	AN4-23A	. BOLT . . . . .	0805	& ON	02
- 39B	NAS1149F0463P	. WASHER . . . . .	0805	& ON	02
		—*—			
- 40	MS21069-4	. NUTPLATE . . . . .			03
41	6317016-48	. BRACKET ASSY-HYDRAULIC FILTER RETURN . . . . .			01
42	6317016-50	. BRACKET ASSY-HYDRAULIC FILTER RETURN . . . . .			01
		ATTACHING PARTS			
- 42A	AN4-23A	. BOLT . . . . .	0805	& ON	02
- 42B	NAS1149F0463P	. WASHER . . . . .	0805	& ON	02
		—*—			
- 43	MS21073-4	. NUTPLATE . . . . .			01

- ITEM NOT ILLUSTRATED

CESSNA®  
MODEL 525 (SERIALS -0685 AND -0800 AND ON)  
ILLUSTRATED PARTS CATALOG

A88304



**DETAIL B**

**DETAIL A**

HYDRAULIC SYSTEM COMPONENTS  
FIGURE 02 (SHEET 2)

6310T1168  
A6317T1175  
B6317T1176

CESSNA®  
**MODEL 525 (SERIALS -0685 AND -0800 AND ON)**  
 ILLUSTRATED PARTS CATALOG

FIG ITEM	PART NUMBER	NOMENCLATURE	UNITS
			PER ASSY
02			
- 75	9912423-48	. MANIFOLD ASSY-HYDRAULIC . . . . . ATTACHING PARTS	01
76	AN4-14A	. BOLT . . . . .	04
77	NAS70C261-750	. WASHER . . . . .	04
78	MS21044N4	. NUT . . . . . —*—	04
79	9912423-39	. VALVE-LOADING . . . . .	01
- 80	M8791/1-016	. BACKUP . . . . .	01
- 81	M83461/1-016	. O-RING . . . . .	01
- 82	M83461/2-910	. O-RING . . . . .	01
83	9912423-46	. VALVE-SYSTEM RELIEF . . . . .	01
- 84	16758	. . . INLET NUT . . . . .	01
- 85	M8791/1-012	. BACKUP . . . . .	02
- 86	M8791/1-014	. BACKUP . . . . .	01
- 87	M83461/1-012	. O-RING . . . . .	01
- 88	M83461/1-014	. O-RING . . . . .	01
89	9912423-44	. VALVE-LANDING GEAR . . . . . ATTACHING PARTS	01
- 90	NAS1352C3-10	. SCREW . . . . . —*—	04
- 91	M83461/1-014	. O-RING . . . . .	05
- 92	M83461/1-016	. O-RING . . . . .	04
93	9912423-34	. VALVE-PNEUMATIC DUMP-LANDING GEAR . . . . .	01
- 94	M8791/1-018	. O-RING . . . . .	01
- 95	M83461/1-018	. O-RING . . . . .	01
- 96	M83461/2-911	. O-RING . . . . .	01
97	9912423-33	. VALVE-SPEED BRAKE . . . . .	01
- 98	M8791/1-016	. BACKUP . . . . .	01
- 99	M83461/1-016	. O-RING . . . . .	01
- 100	M83461/2-910	. O-RING . . . . .	01
101	9912423-30	. VALVE-SPEED BRAKE . . . . . ATTACHING PARTS	01
- 102	NAS1352C3-10	. SCREW . . . . . —*—	04
- 103	M83461/1-012	. O-RING . . . . .	05
104	9912423-29	. VALVE-FLAP . . . . . ATTACHING PARTS	01
- 105	NAS1352C3-10	. SCREW . . . . . —*—	04
- 106	M83461/1-012	. O-RING . . . . .	05
107	9912373-6	. PRESSURE SWITCH . . . . .	01
- 108	M83461/2-906	. O-RING . . . . .	01
- 109	80626	. ADAPTER-LANDING GEAR . . . . . V06177	01
- 110	M8791/1-017	. BACKUP . . . . .	01
- 111	M83461/1-017	. O-RING . . . . .	01
- 112	M83461/2-911	. O-RING . . . . .	01
113	9912423-31	. CHECK VALVE-SPEED BRAKE . . . . .	02
- 114	M8791/1-014	. BACKUP . . . . .	02
- 115	M83461/1-014	. O-RING . . . . .	02
- 116	M83461/2-908	. O-RING . . . . .	02
117	9912423-32	. VALVE-THERMAL RELIEF SPEED BRAKE . . . . .	01
- 118	M8791/1-013	. BACKUP . . . . .	01
- 119	M83461/1-013	. O-RING . . . . .	01
- 120	M83461/2-907	. O-RING . . . . .	01
121	6317004-8	. BRACKET-FWD SUPPORT . . . . .	01
122	6317004-12	. BRACKET-AFT . . . . .	01
123	6317004-10	. ANGLE . . . . .	01
124	6317004-9	. BEAM . . . . .	01
125	6317004-5	. CLIP . . . . .	01

- ITEM NOT ILLUSTRATED





**CHAPTER**

**30**

**ICE AND RAIN  
PROTECTION**



CESSNA®  
**MODEL 525 (SERIALS -0685 AND -0800 AND ON)**  
ILLUSTRATED PARTS CATALOG

<b>CHAPTER SECTION SUBJECT</b>		<b>NUMBER OF PAGES</b>	<b>DATE</b>
30 - TITLE			
30 - LIST OF EFFECTIVE PAGES			
30 - RECORD OF TEMPORARY REVISIONS			
30 - TABLE OF CONTENTS			
30-10-00	Figure 01	6	Jun 1/2018
30-20-00	Figure 01	2	Nov 1/2013
30-30-00	Figure 01	2	Nov 1/2013
30-40-00	Figure 01	8	Oct 1/2014
30-40-00	Figure 02	2	Nov 1/2016
30-40-00	Figure 03	4	Nov 1/2016





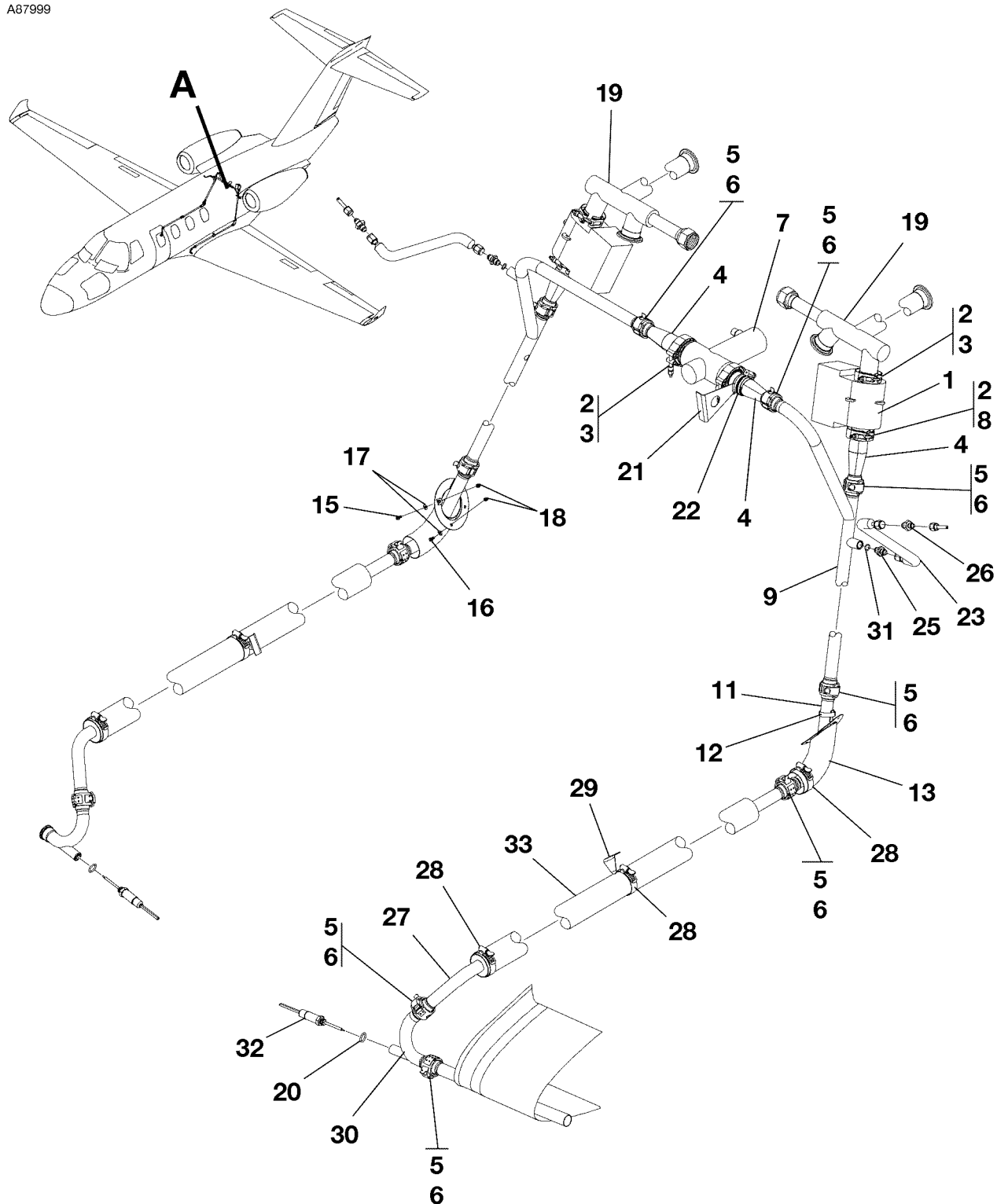


CESSNA®  
**MODEL 525 (SERIALS -0685 AND -0800 AND ON)**  
 ILLUSTRATED PARTS CATALOG

<u>SUBJECT</u>	<u>CHAPTER</u>	<u>FIGURE</u>	<u>EFFECTIVITY</u>	
	<u>SECTION</u>		<u>START</u>	<u>END</u>
	<u>SUBJECT</u>			
DE-ICE SYSTEM - PNEUMATIC	30-10-00	01		
ENGINE ANTI-ICE AIR INLETS	30-20-00	01		
PITOT STATIC ANTI-ICE SYSTEM	30-30-00	01		
WINDSHIELD ANTI-ICE SYSTEM - BLEED AIR	30-40-00	01		
WINDSHIELD ANTI-ICE SYSTEM - ALCOHOL	30-40-00	02		
WINDSHIELD ANTI-ICE SYSTEM - AIR DUCTS	30-40-00	03		

CESSNA®  
**MODEL 525 (SERIALS -0685 AND -0800 AND ON)**  
 ILLUSTRATED PARTS CATALOG

A87999



**DETAIL A**

DE-ICE SYSTEM - PNEUMATIC  
 FIGURE 01 (SHEET 1)

6310T1168  
 A63141802



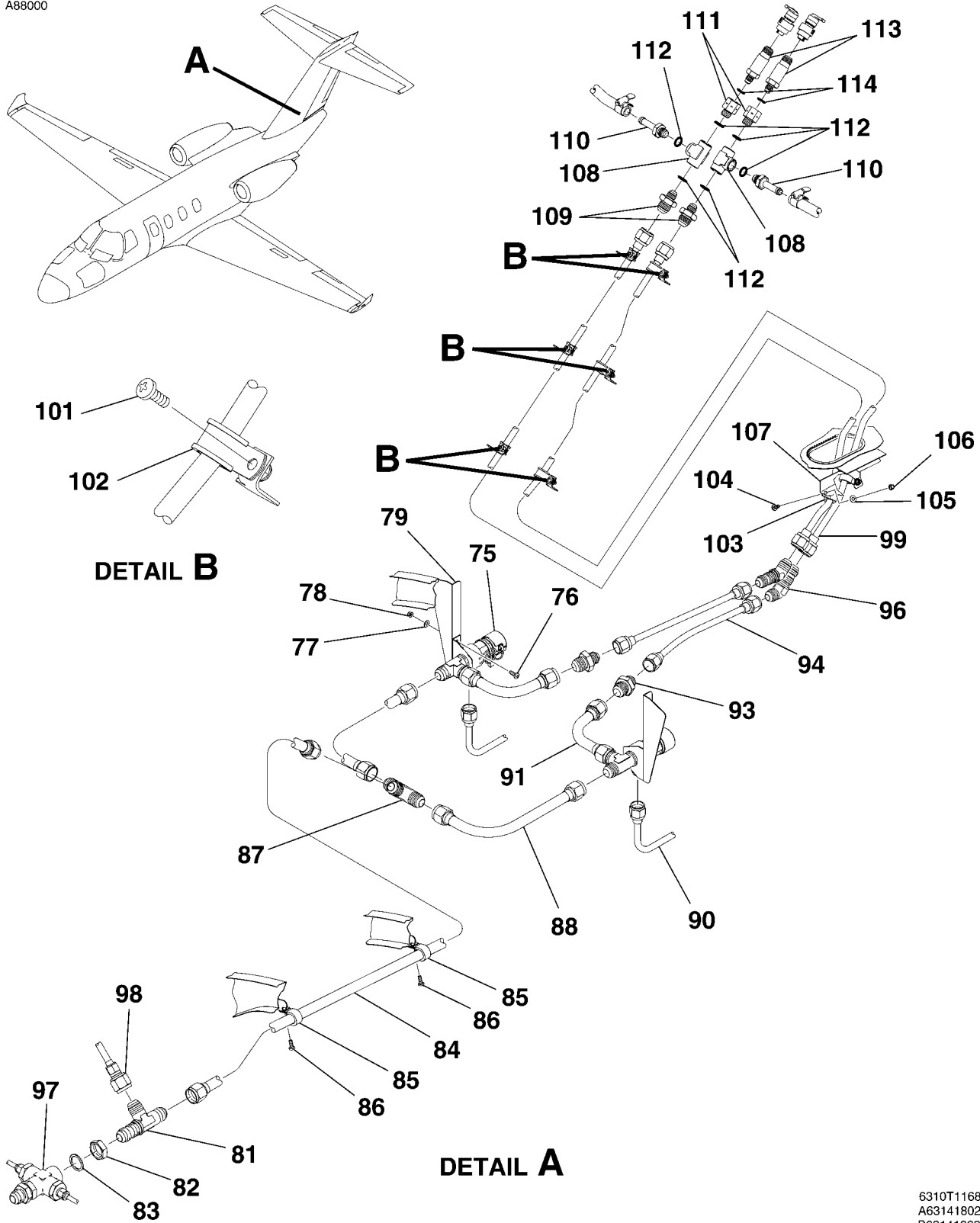
CESSNA®  
**MODEL 525 (SERIALS -0685 AND -0800 AND ON)**  
 ILLUSTRATED PARTS CATALOG

FIG ITEM	PART NUMBER	NOMENCLATURE	UNITS
			PER ASSY
01		DE-ICE SYSTEM - PNEUMATIC	RF
-			
1	9912402-9	. PRESSURE REGULATOR VALVE-SHUTOFF . . . . .	02
2	S1921-3	. CLAMP . . . . .	06
3	24096-150C	. GASKET . . . . . V00624	02 R
4	6314401-27	. TUBE ASSY . . . . .	04
5	W991-16DE	. COUPLING . . . . .	12
6	2-214S469-40	. O-RING . . . . . V02697	24
7	9912403-2	. ISOLATION SHUTOFF VALVE . . . . .	01
8	24096-150C	. GASKET . . . . . V00624	04 R
9	6314401-39	. TUBE ASSY-LH . . . . .	01
- 10	6314401-40	. TUBE ASSY-RH . . . . .	01
11	6314401-13	. TUBE ASSY . . . . .	02
12	AN737TW38	. CLAMP . . . . .	02
13	6314401-53	. DUCT ASSY-LH AIR LEAKAGE . . . . .	01
- 14	6314401-52	. DUCT ASSY-RH AIR LEAKAGE . . . . .	01
		ATTACHING PARTS	
15	MS27039-0807	. SCREW . . . . .	03
16	MS27039-0806	. SCREW . . . . .	01
17	NAS1149F0332P	. WASHER . . . . .	04
18	MS21042L08	. NUT . . . . .	04
		—*—	
19		. PNEUMATIC SYSTEM-BLEED AIR REFER TO 36-10-00 FIGURE 01 . . . . .	RF
20	S3278C5	. O-RING . . . . .	02
21	6314400-5	. BRACKET-CLAMP SUPPORT . . . . .	01
22	AN737TW56	. CLAMP . . . . .	01
23	6314400-9	. TUBE ASSY-LH . . . . .	01
- 24	6314400-10	. TUBE ASSY-RH . . . . .	01
25	AS5174D0505	. REDUCER . . . . .	02
26	AS5174D0504	. REDUCER . . . . .	02
27	6314401-8	. TUBE ASSY . . . . .	02
28	AN737TW82	. CLAMP . . . . .	06
29	6314400-2	. BRACKET . . . . .	02
30	6314401-31	. PROBE TUBE ASSY . . . . .	02
31	S3278C5	. O-RING . . . . . V02697	02
32	1173T42-4	. SWITCH . . . . . V98087	02
33	S2258-7-65.00	. DUCT-FLEX BKI . . . . .	02

- ITEM NOT ILLUSTRATED

CESSNA®  
**MODEL 525 (SERIALS -0685 AND -0800 AND ON)**  
 ILLUSTRATED PARTS CATALOG

A88000



DE-ICE SYSTEM - PNEUMATIC  
 FIGURE 01 (SHEET 2)

6310T1168  
 A63141802  
 B63141802

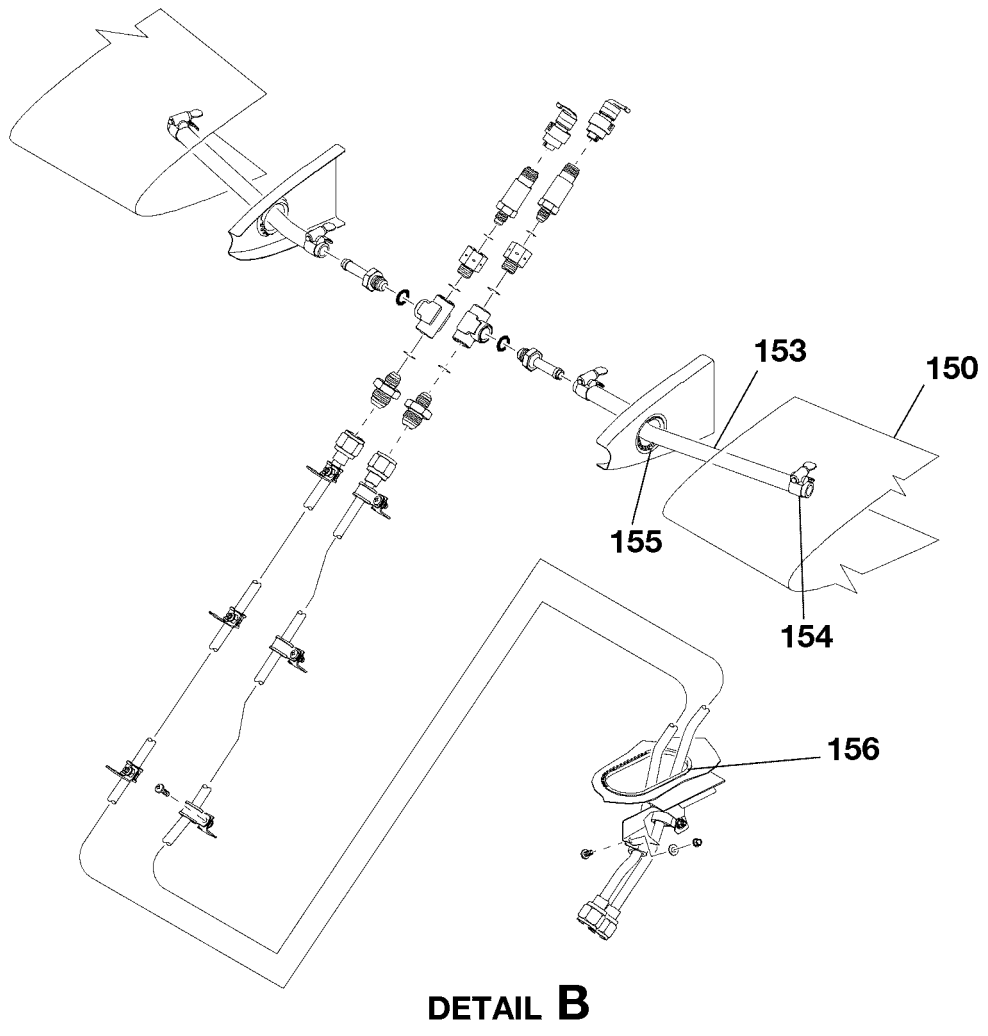
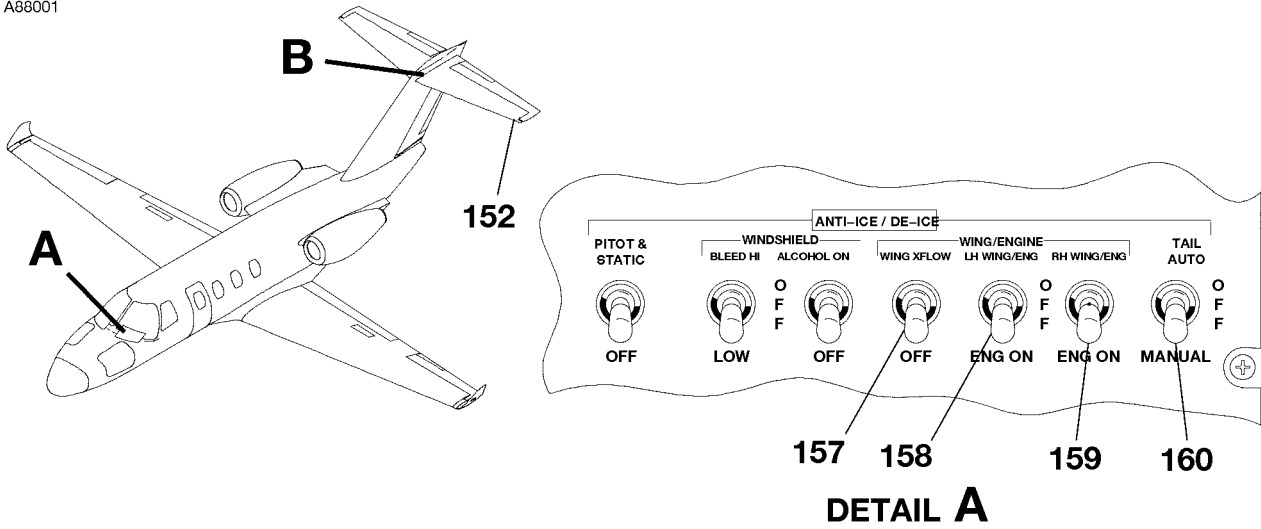
CESSNA®  
**MODEL 525 (SERIALS -0685 AND -0800 AND ON)**  
 ILLUSTRATED PARTS CATALOG

FIG ITEM	PART NUMBER	NOMENCLATURE	UNITS
			PER ASSY
		1 2 3 4 5 6 7	
01			
75	3D2353-06	. VALVE-SOLENOID . . . . . V03481	02
		. ATTACHING PARTS	
76	MS27039-1-08	. SCREW . . . . .	02
77	NAS1149F0332P	. WASHER . . . . .	02
78	MS21042L3	. NUT . . . . .	02
		—*—	
79	6314310-21	. BRACKET-LH . . . . .	01
- 80	6314310-7	. BRACKET-RH . . . . .	01
81	AN804D10	. TEE . . . . .	01
82	AS5178W10	. NUT . . . . .	01
83	MS9385-10	. O-RING . . . . .	01
84	6314310-19	. TUBE ASSY-TEE TO SOLENOID VALVE . . . . .	01
		. ATTACHING PARTS	
85	TA2D713D10EP	. CLAMP . . . . . V84971	02
- 85A	1-127543D10EP	. CLAMP ASSY ALT FOR TA2D713D10EP . . . . . V83930	02 R
86	MS27039-1-08	. SCREW . . . . .	02 R
		—*—	
87	AN824-10D	. TEE . . . . .	03 R
88	6314310-17	. TUBE ASSY-LH . . . . .	01 R
- 89	6314310-18	. TUBE ASSY-RH . . . . .	01 R
90	6314310-6	. TUBE ASSY-EXHAUST . . . . .	02 R
91	6314310-15	. TUBE ASSY-LH . . . . .	01 R
- 92	6314310-16	. TUBE ASSY-RH . . . . .	01 R
93	AS5174D1008	. REDUCER . . . . .	02 R
94	6314310-13	. TUBE ASSY-LH . . . . .	01 R
- 95	6314310-14	. TUBE ASSY-RH . . . . .	01 R
96	AN837-8D	. ELBOW . . . . .	02 R
97		. PNEUMATIC SYSTEM-BLEED AIR REFER TO 36-10-00 FIGURE 01 . . . . .	RF R
98		. HYDRAULIC SYSTEM-BLEED AIR REFER TO 29-10-00 FIGURE 01 . . . . .	RF R
99	6314310-11	. TUBE ASSY-LH . . . . .	01 R
- 100	6314310-12	. TUBE ASSY-RH . . . . .	01 R
		. ATTACHING PARTS	
101	TA2D713D08EP	. CLAMP . . . . . V84971	06 R
- 101A	1-127543D8EP	. CLAMP ASSY ALT FOR TA2D713D8EP . . . . . V83930	06 R
102	MS27039-1-08	. SCREW . . . . .	06 R
103	MS21919WDG8	. CLAMP . . . . .	02 R
104	MS27039-1-06	. SCREW . . . . .	02 R
105	NAS1149F0332P	. WASHER . . . . .	02 R
106	MS21042L3	. NUT . . . . .	02 R
		—*—	
107	6314310-20	. BRACKET . . . . .	01 R
108	AN938D6	. TEE . . . . .	02 R
109	AS5174D0806	. REDUCER . . . . .	02 R
110	AN841-6D	. ADAPTER . . . . .	02 R
111	AN893-2D	. BUSHING . . . . .	02 R
- 111A	AS5172D0406L	. BUSHING ALT FOR AN893-2D . . . . .	02 R
112	MS9385-06	. O-RING . . . . .	06 R
113	1106P55-1	. PRESSURE SWITCH-PNEUMATIC DE-ICE ST014 AND ST030 . . . . . V98087	02 R
114	MS9385-04	. O-RING . . . . .	02 R

- ITEM NOT ILLUSTRATED

CESSNA®  
**MODEL 525 (SERIALS -0685 AND -0800 AND ON)**  
 ILLUSTRATED PARTS CATALOG

A88001



DE-ICE SYSTEM - PNEUMATIC  
 FIGURE 01 (SHEET 3)

6310T1168  
 A9150T002  
 B6314T1802

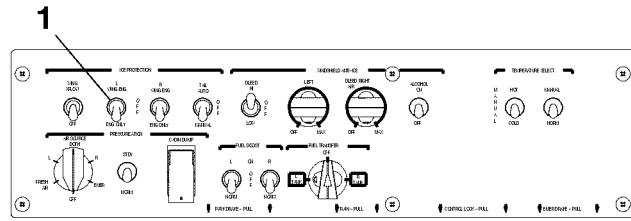
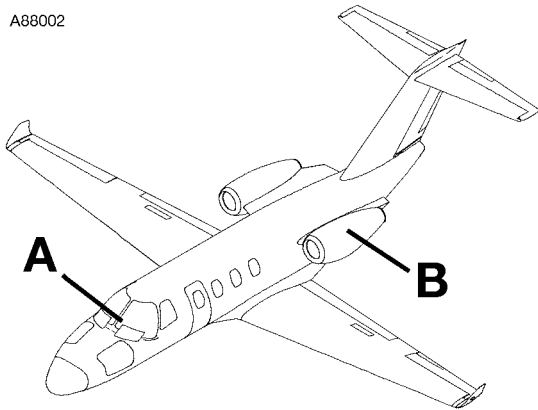
CESSNA®  
**MODEL 525 (SERIALS -0685 AND -0800 AND ON)**  
 ILLUSTRATED PARTS CATALOG

FIG ITEM	PART NUMBER	NOMENCLATURE	UNITS
			PER ASSY
01			
150	29S-4D5244-11	. BOOT-LH . . . . . V0AJJ0	01
- 151	29S-4D5244-12	. BOOT-RH . . . . . V0AJJ0	01
152	6314310-29	. EROSION SHIELD . . . . .	02
153	S2632-1-12.1	. HOSE . . . . .	02
154	AN737TW22	. CLAMP . . . . .	04
155	S1050-1	. GROMMET-BKI 4.20 IN LG . . . . .	AR
156	S1050-2	. GROMMET-BKI 10.28 IN LG . . . . .	AR
157	MS35058-23	. SWITCH-ANTI-ICE WING CROSSFEED SI088 . . . . .	01
158	M8805/93-008	. SWITCH-LH BLEED AIR . . . . .	01
159	M8805/93-008	. SWITCH-RH BLEED AIR . . . . .	01
160	M8805/93-009	. SWITCH-ANTI-ICE TAIL SI032 . . . . .	01
- 161	S2742-8	. TIP SWITCH GREEN SI007, SI008 AND SI032 . . . . .	AR

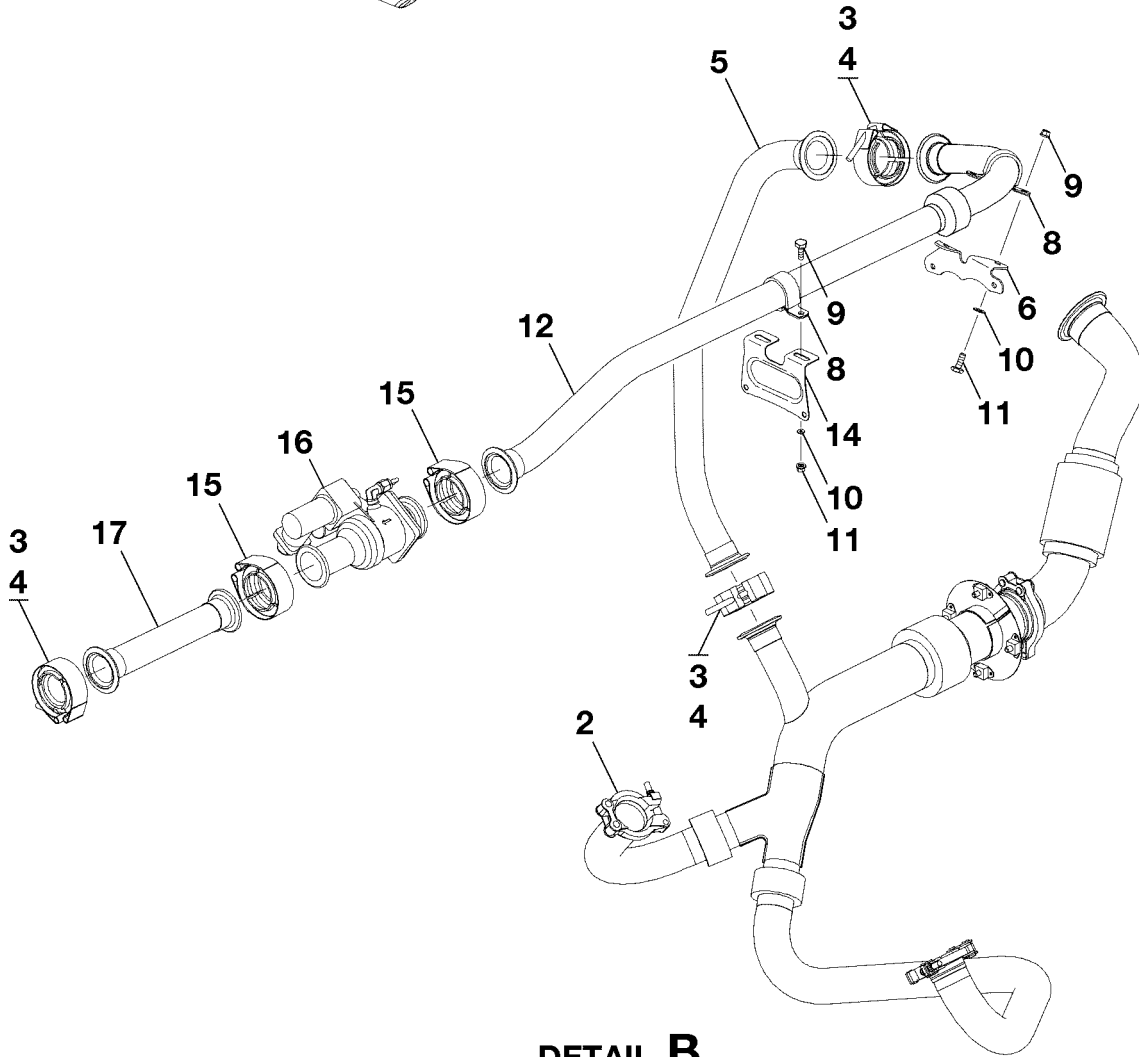
- ITEM NOT ILLUSTRATED

CESSNA®  
**MODEL 525 (SERIALS -0685 AND -0800 AND ON)**  
 ILLUSTRATED PARTS CATALOG

A88002



**DETAIL A**



**DETAIL B**

ENGINE ANTI-ICE AIR INLETS  
 FIGURE 01 (SHEET 1)

6310T1168  
 A6318T1848  
 B6355T1038

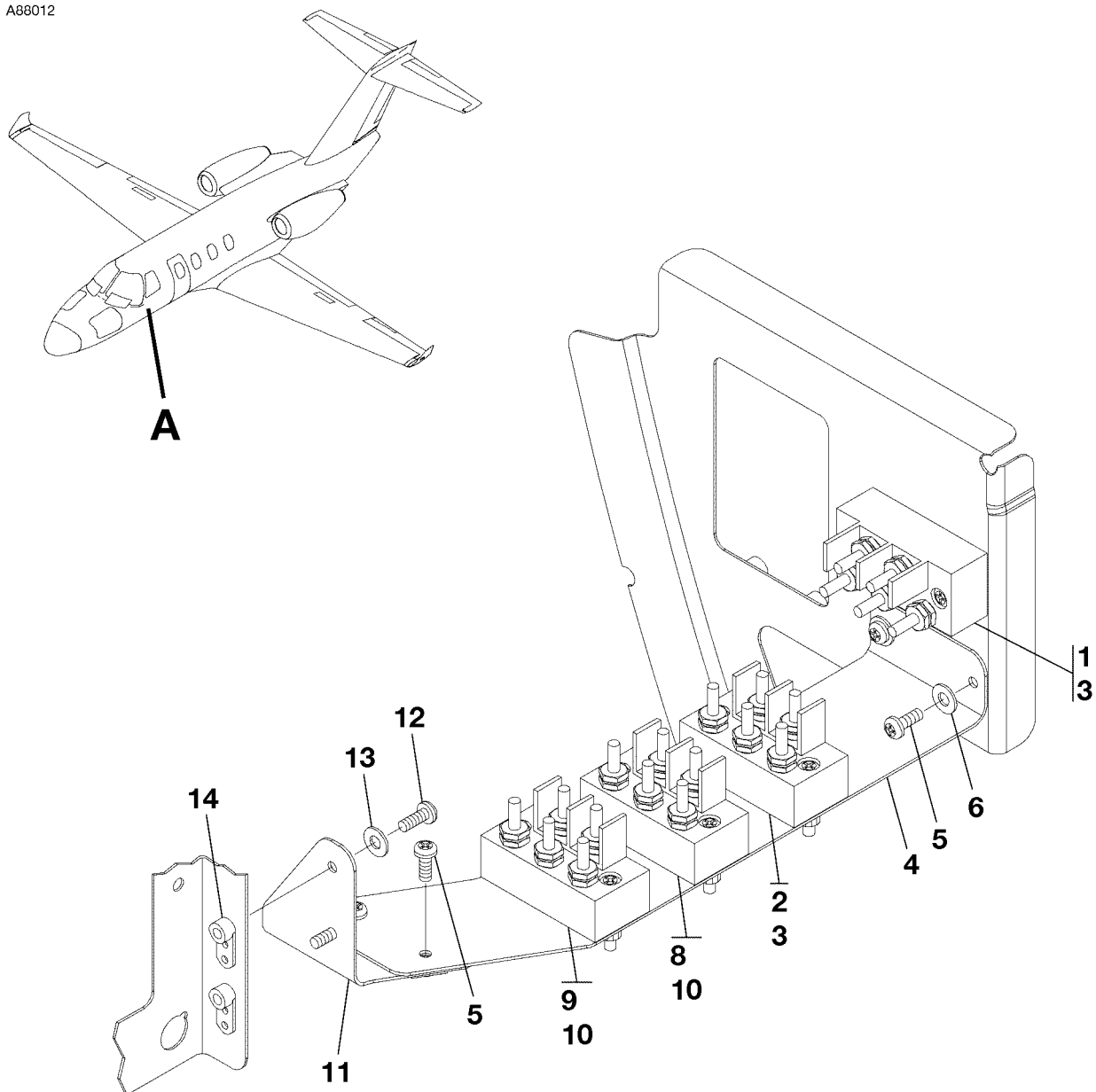
CESSNA®  
**MODEL 525 (SERIALS -0685 AND -0800 AND ON)**  
 ILLUSTRATED PARTS CATALOG

FIG ITEM	PART NUMBER	NOMENCLATURE	UNITS
			PER ASSY
01		ENGINE ANTI-ICE AIR INLETS	RF
-		. SWITCH-REFER TO 71-60-00 FIGURE 01 . . . . .	RF
1		. PNEUMATIC SYSTEM-BLEED AIR-REFER TO 36-10-00 FIGURE 01 . . . . .	RF
2		. CLAMP . . . . .	06
3	S1921-4	. GASKET . . . . . V00624	06
4	24346-100-C	. TUBE ASSY . . . . .	02
5	6355505-39	. BRACKET-LH REAR SUPPORT . . . . .	01
6	6355510-7	. BRACKET-RH REAR SUPPORT . . . . .	01
- 7	6355510-6	. CLAMP ASSY . . . . . V84971	04
8	TA0910126	ATTACHING PARTS	
9	AN3-4A	. BOLT . . . . .	02
10	NAS1149F0332P	. WASHER . . . . .	02
11	MS21042-3	. NUT . . . . .	02
		—*—	
12	6355505-3	. TUBE ASSY-LH . . . . .	01
- 13	6355505-4	. TUBE ASSY-RH . . . . .	01
14	6355510-5	. BRACKET . . . . .	02
15	24540-100	. COUPLING . . . . . V00624	04
16	5285-00-3	. PRESSURE REGULATOR SHUTOFF VALVE-LH VD002 AND RH VE002 . . . . V09445	02
17	6354072-20	. TUBE ASSY . . . . .	02

- ITEM NOT ILLUSTRATED

CESSNA®  
MODEL 525 (SERIALS -0685 AND -0800 AND ON)  
ILLUSTRATED PARTS CATALOG

A88012



**DETAIL A**

PITOT STATIC ANTI-ICE SYSTEM  
FIGURE 01 (SHEET 1)

6310T1168  
A6318T1850



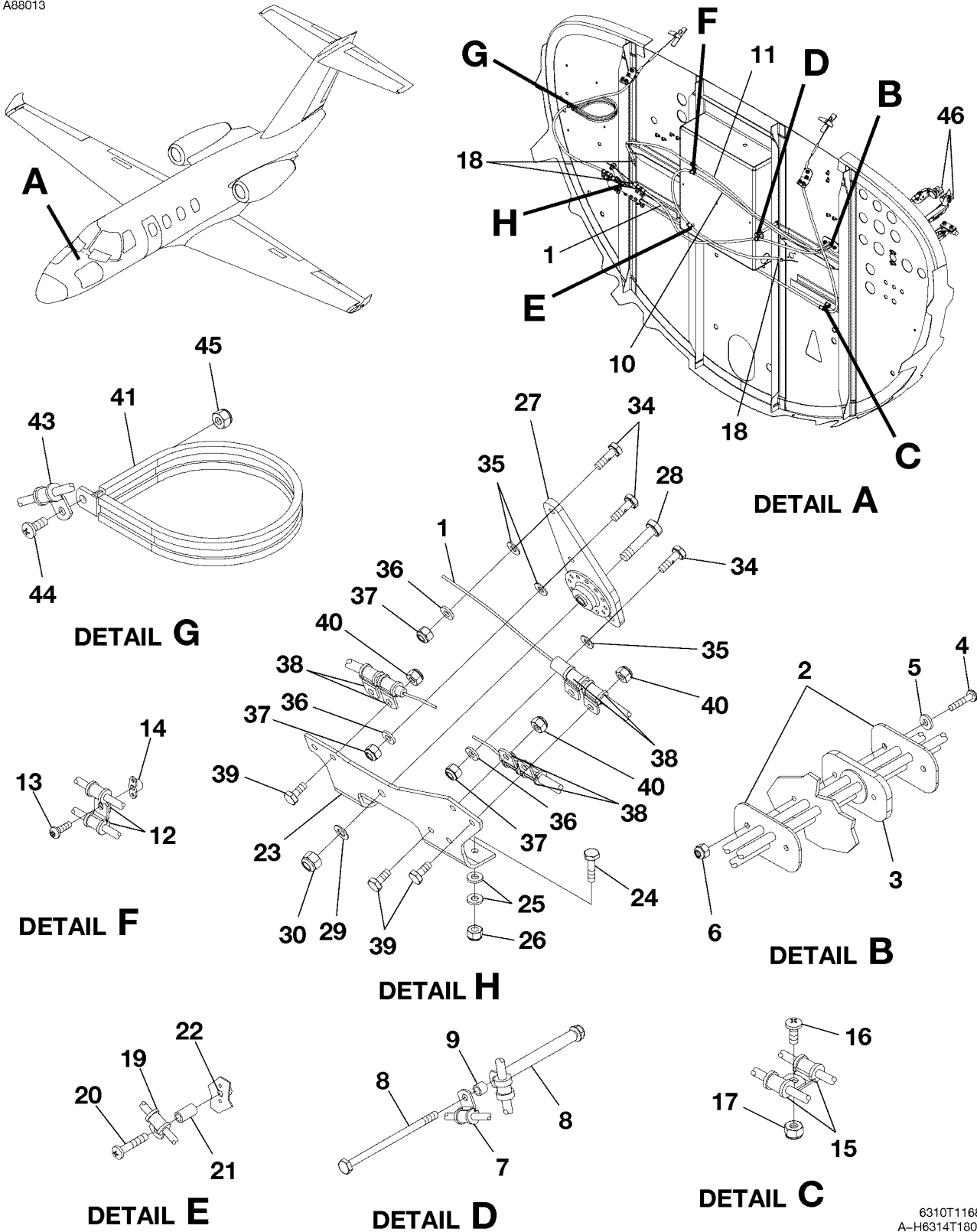
CESSNA®  
**MODEL 525 (SERIALS -0685 AND -0800 AND ON)**  
 ILLUSTRATED PARTS CATALOG

FIG ITEM	PART NUMBER	NOMENCLATURE	UNITS
			PER ASSY
		1 2 3 4 5 6 7	
01			
-		PITOT STATIC ANTI-ICE SYSTEM	RF
1	76250-6	. CURRENT SENSOR-UC039 . . . . . V2X920	01
2	76250-6	. CURRENT SENSOR-UC038 . . . . . V2X920	01
		ATTACHING PARTS	
3	MS35206-233	. SCREW . . . . .	02
		—*—	
4	6318822-2	. BRACKET ASSY . . . . .	02
		ATTACHING PARTS	
5	MS35206-228	. SCREW . . . . .	04
6	NAS1149FN832P	. WASHER . . . . .	02
		—*—	
- 7	MS21069L06	. . NUTPLATE . . . . .	06
8	76552-1	. SENSOR-UC041 . . . . . V2X920	01
9	76552-1	. SENSOR-UC040 . . . . . V2X920	01
		ATTACHING PARTS	
10	MS35206-233	. SCREW . . . . .	02
		—*—	
11	6518402-3	. BRACKET ASSY . . . . .	02
		ATTACHING PARTS	
12	MS35206-228	. SCREW . . . . .	02
13	NAS1149FN832P	. WASHER . . . . .	02
14	MS21071-06	. NUTPLATE-LH . . . . .	02
		—*—	
- 15	MS21075L06N	. . NUTPLATE . . . . .	02

- ITEM NOT ILLUSTRATED

CESSNA®  
**MODEL 525 (SERIALS -0685 AND -0800 AND ON)**  
 ILLUSTRATED PARTS CATALOG

A88013



WINDSHIELD ANTI-ICE SYSTEM - BLEED AIR  
 FIGURE 01 (SHEET 1)

6310T1168  
 A-H6314T1804

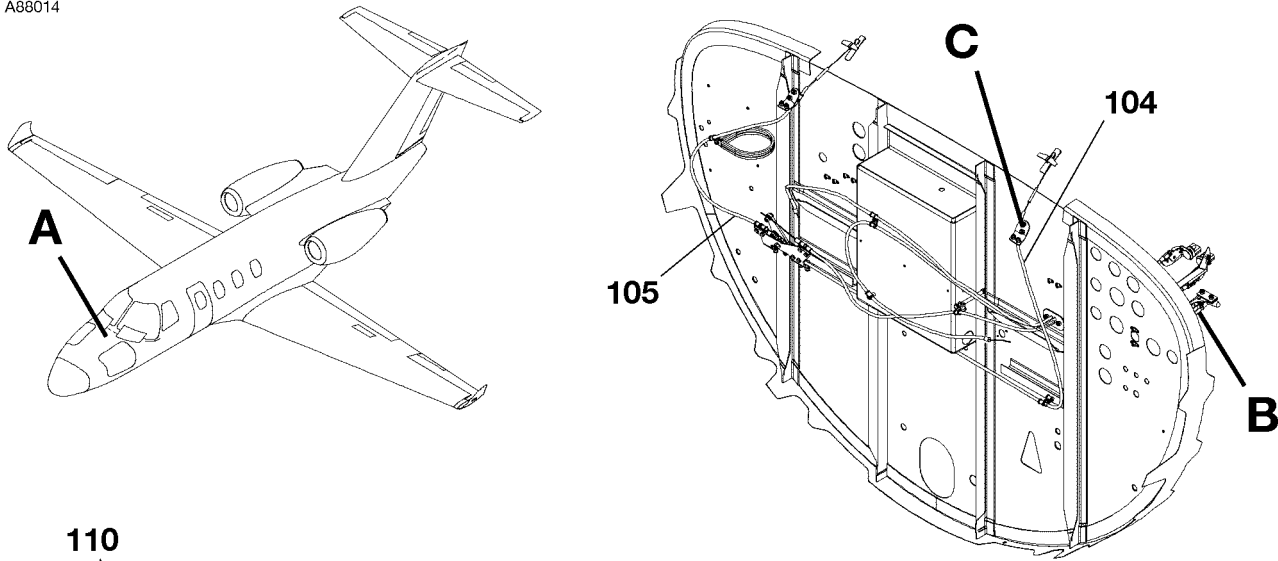
CESSNA®  
**MODEL 525 (SERIALS -0685 AND -0800 AND ON)**  
 ILLUSTRATED PARTS CATALOG

FIG ITEM	PART NUMBER	NOMENCLATURE	UNITS
			PER ASSY
01		WINDSHIELD ANTI-ICE SYSTEM - BLEED AIR	RF
-			
1	S3298-4	. CONTROL-AUGMENTOR WINDSHIELD ANTI-ICE . . . . .	01 R
2	6592271-16	. PLATE . . . . .	02 R
3	6592271-15	. SEAL . . . . .	01 R
		ATTACHING PARTS	
4	MS27039-0812	. SCREW . . . . .	02 R
5	NAS1149F0363P	. WASHER . . . . .	02 R
6	MS21044N08	. NUT . . . . .	02 R
		—*—	
7	MS21919WDG3	. CLAMP . . . . .	01
8		. CLAMP REFER TO 32-30-00 FIGURE 06 . . . . .	RF
9	NAS43DD3-16FC	. SPACER . . . . .	01
10	16-0550-28	. CONTROL ASSY . . . . . V04710	01
11	16-0550-27	. CONTROL ASSY . . . . . V04710	01
12	MS21919WDG3	. CLAMP . . . . .	02
		ATTACHING PARTS	
13	MS27039-0808	. SCREW . . . . .	01
14	MS21069-08	. NUTPLATE . . . . .	01
		—*—	
15	MS21919WDG3	. CLAMP . . . . .	02 R
		ATTACHING PARTS	
16	MS27039-1-07	. SCREW . . . . .	01 R
17	MS21044N3	. NUT . . . . .	01 R
		—*—	
18	23-3107-01	. SEAL-CONTROL CABLE ENDS . . . . . V04710	03 R
19	MS21919WDG3	. CLAMP . . . . .	01
		ATTACHING PARTS	
20	MS27039-1-16	. SCREW . . . . .	01 R
21	NAS43DD3-36FC	. SPACER . . . . .	01
22	MS21069-3	. NUTPLATE . . . . .	01
		—*—	
23	5514118-10	. BRACKET-BELLCRANK . . . . .	01 R
		ATTACHING PARTS	
24	AN3-6A	. BOLT . . . . .	03 R
25	NAS1149F0363P	. WASHER . . . . .	06 R
26	MS21044N3	. NUT . . . . .	03 R
		—*—	
27	5514118-12	. BELLCRANK ASSY . . . . .	01 R
		ATTACHING PARTS	
28	AN4-11A	. BOLT . . . . .	01 R
29	NAS1149F0432P	. WASHER . . . . .	01 R
30	MS21044N4	. NUT . . . . .	01 R
		—*—	
- 31	5514118-11	. BELLCRANK . . . . .	01
- 32	MS20218-1	. BEARING . . . . .	01
- 33	BCP4W10	. BEARING ALT FOR MS20218-1 . . . . . V21335	01
34	5117277-1	. CLAMP . . . . .	03 R
35	NAS1149F0332P	. WASHER . . . . .	03 R
36	NAS1149F0363P	. WASHER . . . . .	03 R
37	MS21044N3	. NUT . . . . .	03 R
38	MS21919WDG3	. CLAMP . . . . .	06 R
		ATTACHING PARTS	
39	AN3-3A	. BOLT . . . . .	01 R
40	MS21044N3	. NUT . . . . .	01 R
		—*—	
41	TA12C59D58EP	. CLAMP . . . . . V84971	01 R
- 42	12753D58EP	. CLAMP ALT FOR TA12C59D58EP . . . . . V83930	01
43	MS21919WDG3	. CLAMP . . . . .	01 R
		ATTACHING PARTS	
44	MS27039-1-07	. SCREW . . . . .	01 R
45	MS21044N3	. NUT . . . . .	01 R
		—*—	
46	270-000-44	. CONTROL MOUNT . . . . . V70436	02

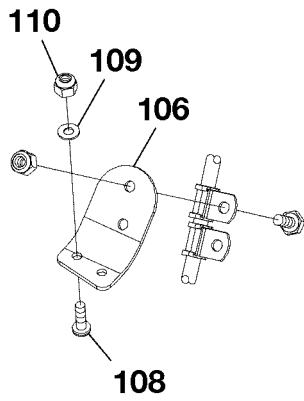
- ITEM NOT ILLUSTRATED

CESSNA®  
**MODEL 525 (SERIALS -0685 AND -0800 AND ON)**  
 ILLUSTRATED PARTS CATALOG

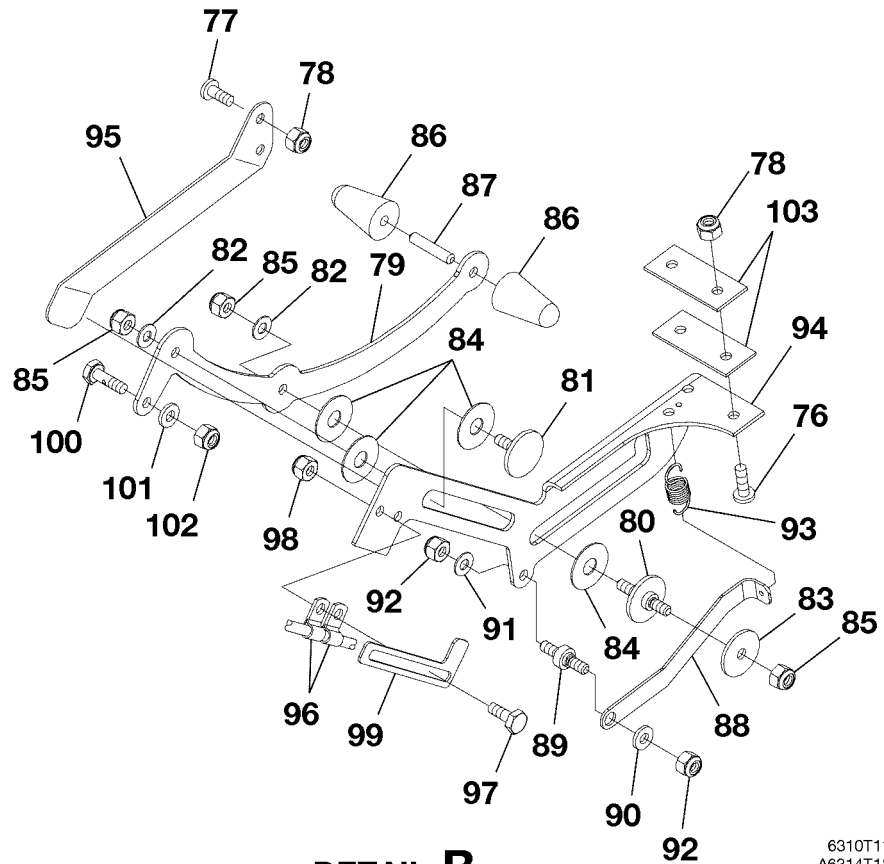
A88014



**DETAIL A**



**DETAIL C**



**DETAIL B**

6310T1168  
 A6314T1804  
 B6314T1804  
 C6314T1804

WINDSHIELD ANTI-ICE SYSTEM - BLEED AIR  
 FIGURE 01 (SHEET 2)

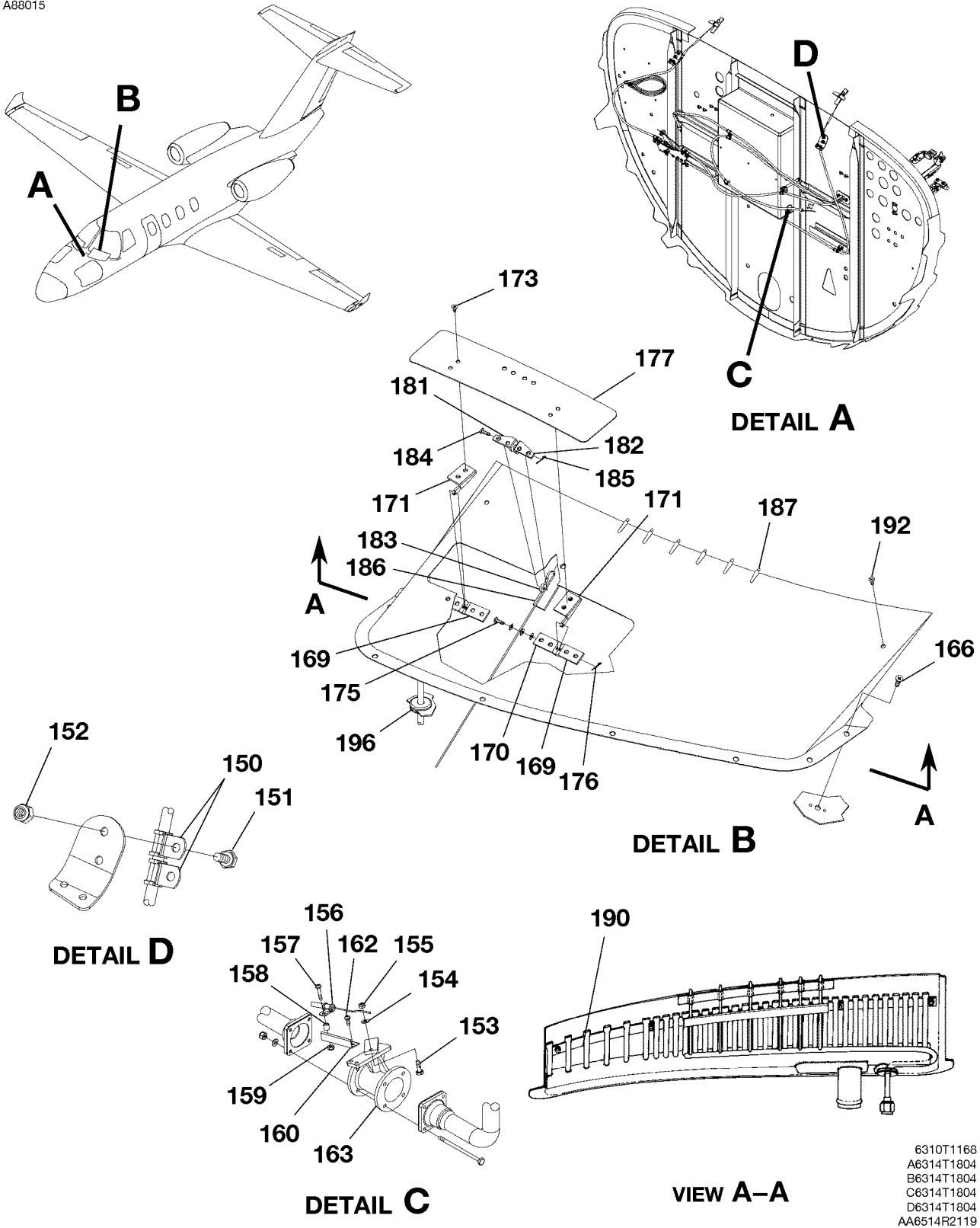
CESSNA®  
**MODEL 525 (SERIALS -0685 AND -0800 AND ON)**  
 ILLUSTRATED PARTS CATALOG

FIG ITEM	PART NUMBER	NOMENCLATURE	UNITS
			PER ASSY
		1 2 3 4 5 6 7	
01			
- 75	6314119-1	. RAIN DOOR HANDLE ASSY . . . . .	01
		. ATTACHING PARTS	
76	MS27039-1-09	. SCREW . . . . .	02 R
77	MS27039-1-07	. SCREW . . . . .	02 R
78	MS21044N3	. NUT . . . . .	04 R
		—*—	
79	6314118-14	. LEVER . . . . .	01
		. ATTACHING PARTS	
80	6314118-16	. SCREW . . . . .	01
81	6314118-18	. SCREW . . . . .	01
82	NAS1149F0332P	. WASHER . . . . .	02
83	AN970-3	. WASHER . . . . .	01
84	S2389-1	. WASHER . . . . .	04
85	MS21044N3	. NUT . . . . .	03
		—*—	
86	6314118-11	. HANDLE HALF . . . . .	02
87	MS18065-68	. SETSCREW . . . . .	01
88	6314118-15	. ARM . . . . .	01
		. ATTACHING PARTS	
89	6314118-17	. SCREW . . . . .	01
90	NAS1149F0332P	. WASHER . . . . .	01
91	NAS1149F0363P	. WASHER . . . . .	01
92	MS21044N3	. NUT . . . . .	02
		—*—	
93	MS24586-596	. SPRING . . . . .	01
94	6314118-13	. SUPPORT . . . . .	01
95	6314119-2	. BRACE . . . . .	01
96	AN742D3	. CLAMP . . . . .	02 R
		. ATTACHING PARTS	
97	AN3-4A	. BOLT . . . . .	01 R
98	MS21044N3	. NUT . . . . .	01 R
		—*—	
99	6314118-20	. STOP . . . . .	01 R
100	5117277-1	. CLAMP . . . . .	01 R
101	NAS1149F0363P	. WASHER . . . . .	01 R
102	MS21044N3	. NUT . . . . .	01 R
103	6314477-2	. SHIM . . . . .	02 R
104	S3298-1	. CONTROL . . . . .	01 R
105	S3298-2	. CONTROL . . . . .	01 R
106	5514118-15	. BRACKET-LH . . . . .	01 R
- 107	5514118-14	. BRACKET-RH . . . . .	01 R
		. ATTACHING PARTS	
108	MS27039-0808	. SCREW . . . . .	02 R
109	NAS1149FN832P	. WASHER . . . . .	02 R
110	MS21044N08	. NUT . . . . .	02 R
		—*—	

- ITEM NOT ILLUSTRATED

CESSNA®  
**MODEL 525 (SERIALS -0685 AND -0800 AND ON)**  
 ILLUSTRATED PARTS CATALOG

A88015



WINDSHIELD ANTI-ICE SYSTEM - BLEED AIR  
 FIGURE 01 (SHEET 3)

6310T1168  
 A6314T1804  
 B6314T1804  
 C6314T1804  
 D6314T1804  
 AA6514R2119

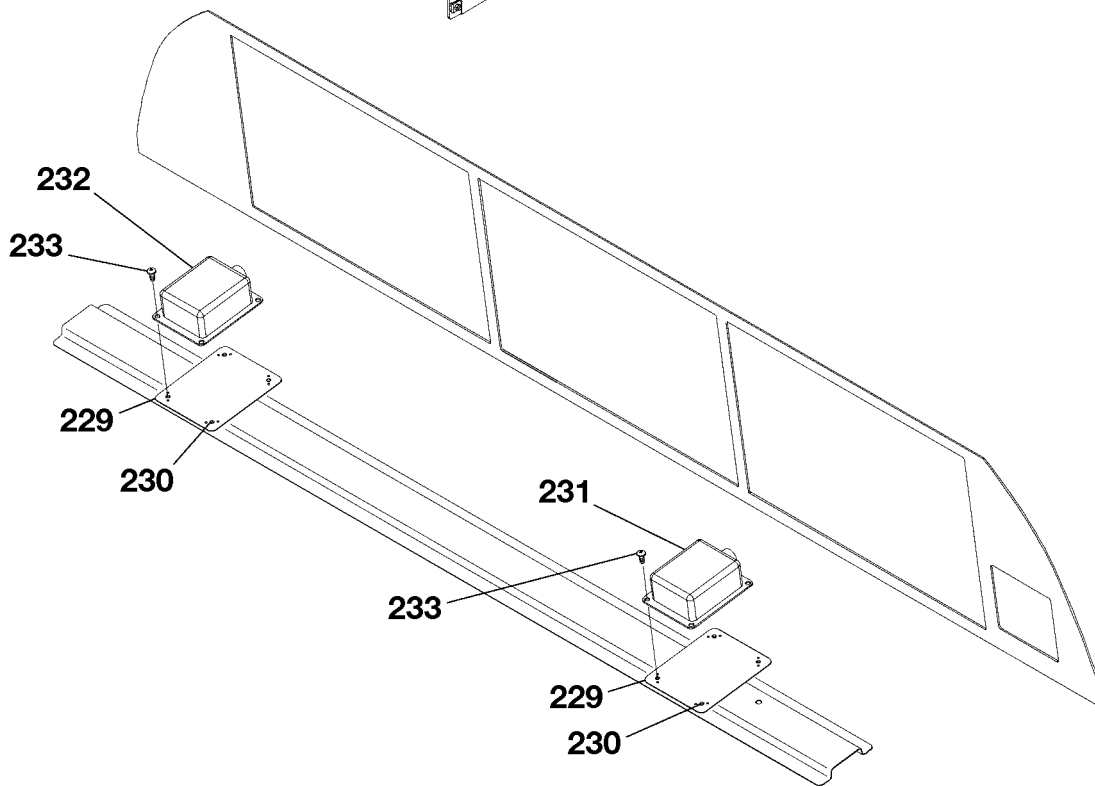
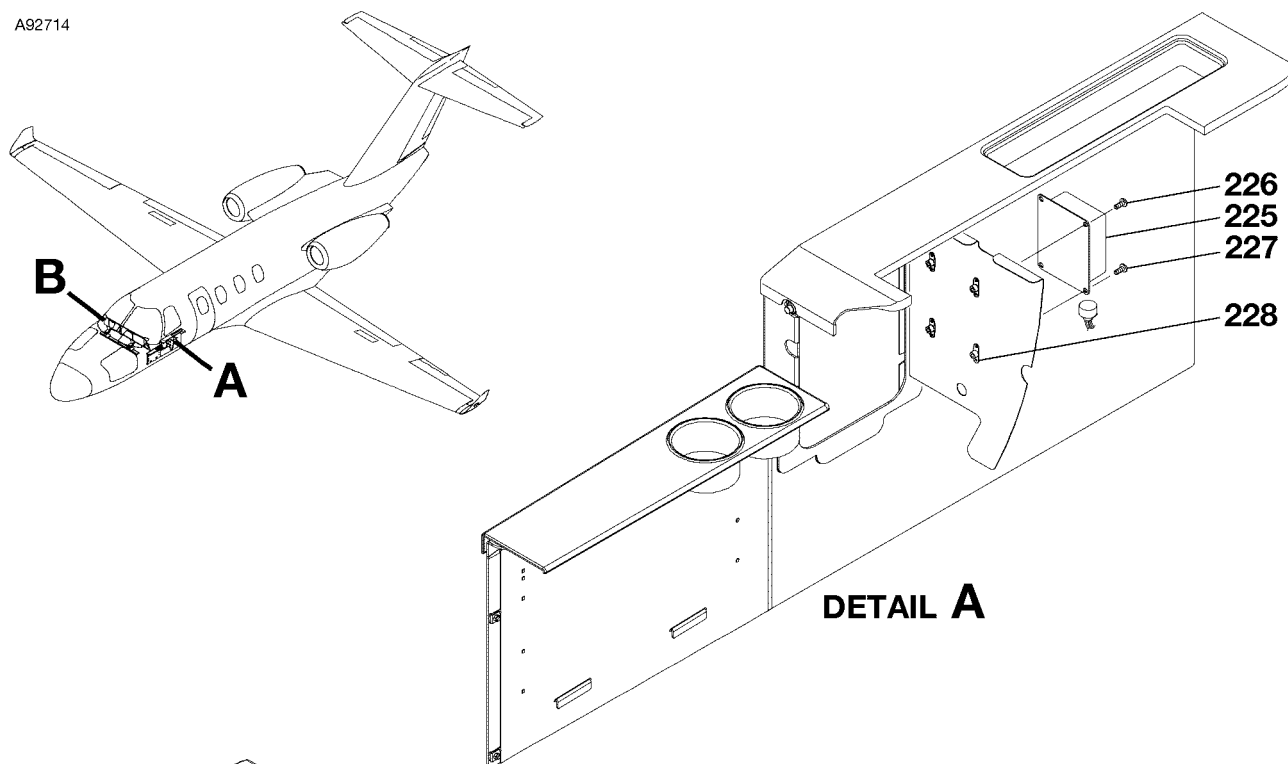
CESSNA®  
**MODEL 525 (SERIALS -0685 AND -0800 AND ON)**  
 ILLUSTRATED PARTS CATALOG

FIG ITEM	PART NUMBER	NOMENCLATURE	UNITS
			PER ASSY
01			
150	MS21919WDG3	. CLAMP . . . . .	04 R
		. ATTACHING PARTS . . . . .	
151	AN3-3A	. BOLT . . . . .	01 R
152	MS21044N3	. NUT . . . . .	01 R
		—*—	
153	5117277-1	. CLAMP . . . . .	02 R
154	NAS1149F0332P	. WASHER . . . . .	02 R
155	MS21083N3	. NUT . . . . .	02 R
156	MS21919WDG3	. CLAMP . . . . .	02 R
		. ATTACHING PARTS . . . . .	
157	MS27039-0812	. SCREW . . . . .	01 R
158	NAS43DD3-20FC	. SPACER . . . . .	01 R
159	MS21083N08	. NUT . . . . .	01 R
		—*—	
160	5514120-29	. BRACKET-LH . . . . .	01 R
- 161	6314476-4	. BRACKET-RH . . . . .	01
		. ATTACHING PARTS . . . . .	
162	MS27039-0806	. SCREW . . . . .	02
		—*—	
163		. VALVE-WINDSHIELD AIR CONTROL REFER TO 30-40-00 FIGURE 02 . . . . .	RF
- 164	5514122-85	. SHROUD ASSY-LH . . . . .	01 R
- 165	5514122-86	. SHROUD ASSY-RH . . . . .	01 R
		. ATTACHING PARTS . . . . .	
166	MS24694-S50	. SCREW . . . . .	07 R
- 167	NAS1149D0363K	. WASHER . . . . .	07 R
- 168	MS21042L3	. NUT . . . . .	07 R
		—*—	
169	5514122-51	. . . HINGE HALF . . . . .	02 R
170	5514122-52	. . . HINGE HALF . . . . .	02 R
171	5514122-87	. . . HINGE ASSY-LH DOOR . . . . .	02 R
- 172	5514122-88	. . . HINGE ASSY-RH DOOR . . . . .	02 R
173	MS24693-C25	. . . SCREW . . . . .	04 R
- 174	NAS1149FN416P	. . . WASHER . . . . .	03 R
175	5514122-33	. . . PIN HINGE . . . . .	02 R
176	MS24665-1	. . . COTTER PIN . . . . .	02 R
177	5514122-91	. . . DOOR BOND ASSY-LH . . . . .	01 R
- 178	5514122-95	. . . DOOR-LH ALT FOR 5514122-91 . . . . .	AR R
- 179	5514122-92	. . . DOOR BOND ASSY-RH . . . . .	01 R
- 180	5514122-96	. . . DOOR-RH ALT FOR 5514122-92 . . . . .	AR R
181	5514122-49	. . . BRACKET . . . . .	01 R
182	5514122-50	. . . BRACKET . . . . .	01 R
183	5514122-47	. . . CAM . . . . .	01 R
		. ATTACHING PARTS . . . . .	
184	MS20392-1C7	. . . PIN . . . . .	01 R
185	MS24665-1	. . . COTTER PIN . . . . .	01 R
		—*—	
186	5514122-43	. . . PLATE ASSY . . . . .	02 R
187	5514122-59	. . . MANIFOLD ASSY-LH . . . . .	01 R
- 188	AN818-4J	. . . NUT . . . . .	01 R
- 189	MS20819-4J	. . . INSULATION . . . . .	01 R
190	5514122-57	. . . MANIFOLD ASSY-LH AIR . . . . .	01 R
- 191	5514122-58	. . . MANIFOLD ASSY-RH AIR . . . . .	01 R
		. ATTACHING PARTS . . . . .	
192	MS24693-C25	. . . SCREW . . . . .	05 R
- 193	MS24693-C26	. . . SCREW . . . . .	04 R
		—*—	
- 194	MS21069L06	. . . NUTPLATE-LH . . . . .	05 R
- 195	MS21042L06	. . . NUT-RH . . . . .	05 R
196	MS35489-10	. . . GROMMET . . . . .	02

- ITEM NOT ILLUSTRATED

CESSNA®  
MODEL 525 (SERIALS -0685 AND -0800 AND ON)  
ILLUSTRATED PARTS CATALOG

A92714



**DETAIL B**

WINDSHIELD ANTI-ICE SYSTEM - BLEED AIR  
FIGURE 01 (SHEET 4)

6310T1168  
A6318T1996  
B6316T1997



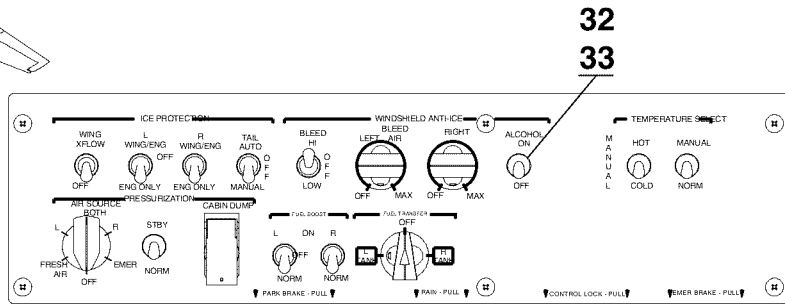
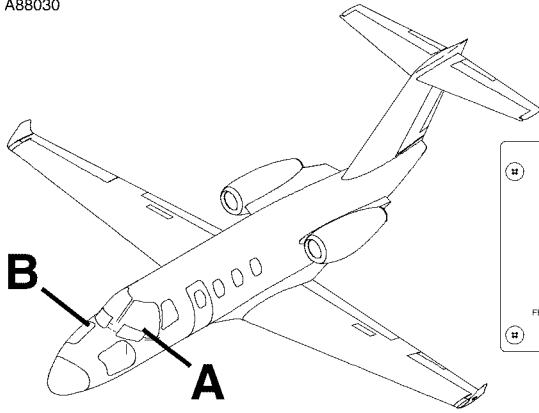
CESSNA®  
**MODEL 525 (SERIALS -0685 AND -0800 AND ON)**  
 ILLUSTRATED PARTS CATALOG

FIG ITEM	PART NUMBER	NOMENCLATURE	UNITS PER ASSY			
			1	2	3	4
01						
225	1169-1	. MONITOR-BLEED AIR TEMPERATURE . . . . . V30242 ATTACHING PARTS				01 R
226	MS35206-245	. SCREW . . . . .				02
227	MS35206-243	. SCREW . . . . .				02
228	MS21047L08	. NUTPLATE . . . . . —*—				04
229	6318892-3	. PLATE ASSY . . . . .				02
230	MS21075L3N	. . NUTPLATE . . . . .				04
231	1169-1-2	. MONITOR-LH UC001 . . . . . V30242	0800	0829		01 R
232	1169-1-2	. MONITOR-RH UF001 . . . . . V30242 ATTACHING PARTS	0800	0829		01 R
233	MS27039-1-07	. SCREW . . . . . —*—	0800	0829		04 R

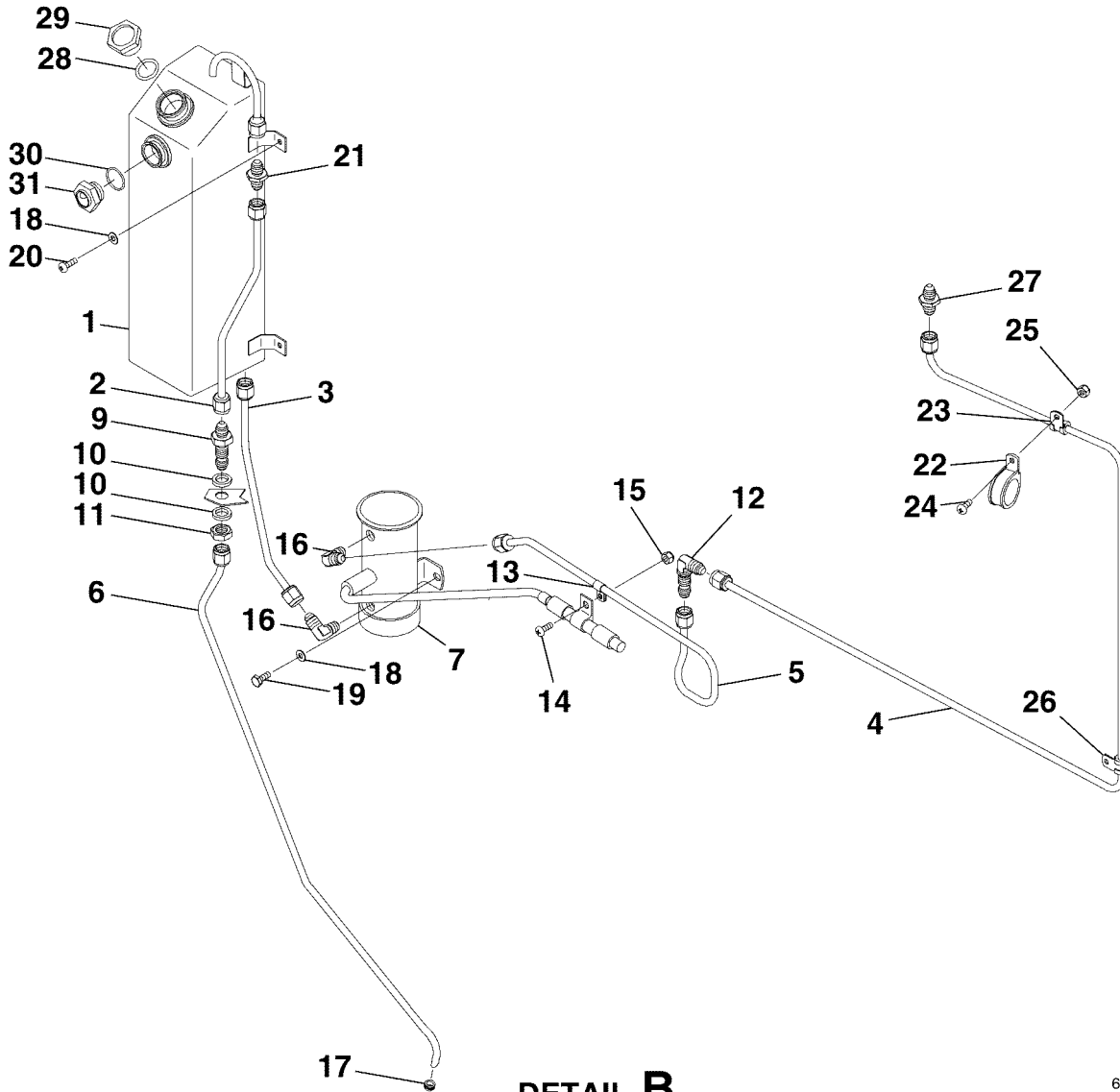
- ITEM NOT ILLUSTRATED

**CESSNA®**  
**MODEL 525 (SERIALS -0685 AND -0800 AND ON)**  
**ILLUSTRATED PARTS CATALOG**

A88030



**DETAIL A**



**DETAIL B**

**WINDSHIELD ANTI-ICE SYSTEM - ALCOHOL**  
**FIGURE 02 (SHEET 1)**

6310T1168  
A6318T1848  
B6314T1803

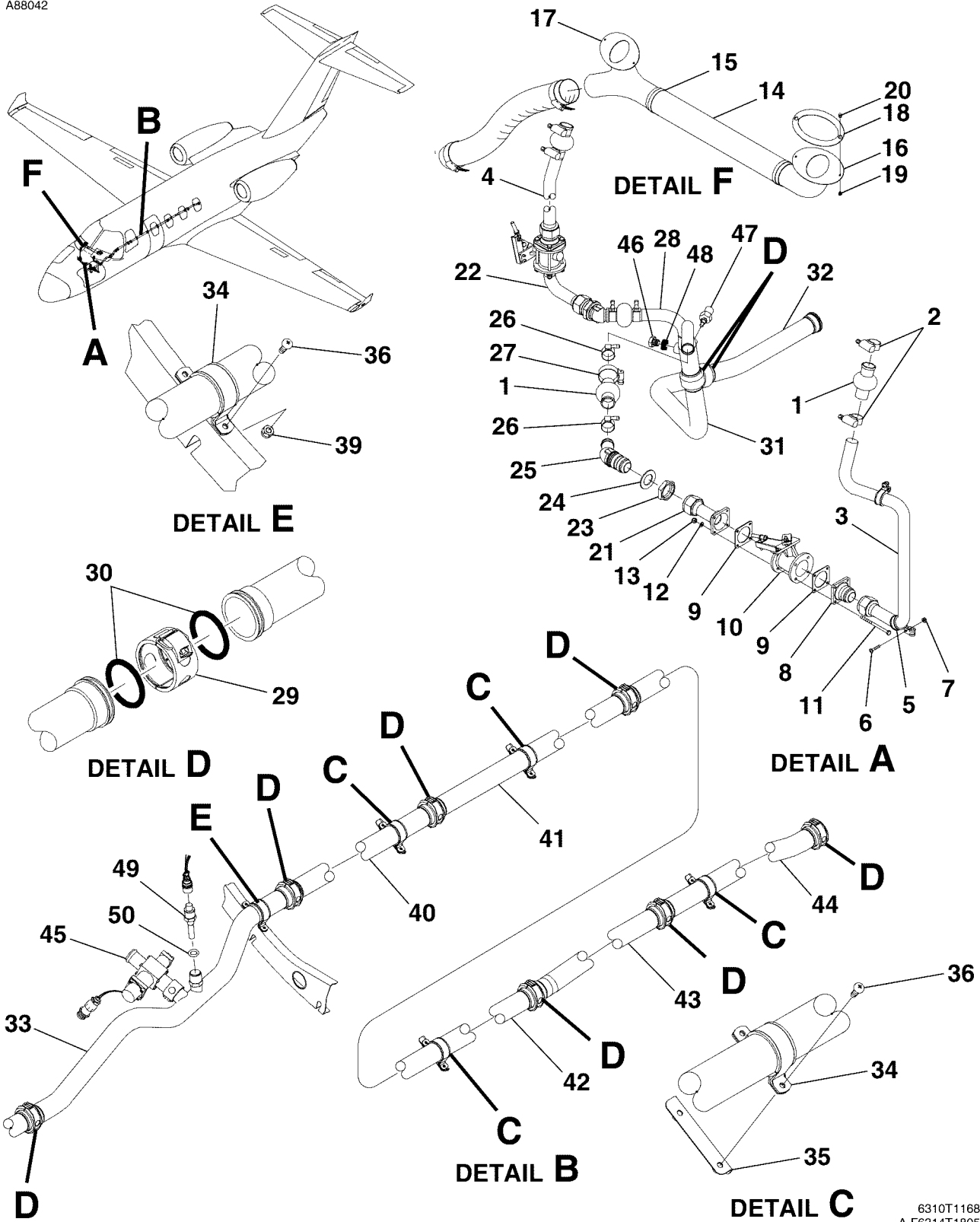
CESSNA®  
**MODEL 525 (SERIALS -0685 AND -0800 AND ON)**  
 ILLUSTRATED PARTS CATALOG

FIG ITEM	PART NUMBER	NOMENCLATURE	UNITS
			PER ASSY
		1 2 3 4 5 6 7	
02		WINDSHIELD ANTI-ICE SYSTEM - ALCOHOL	RF
-			
1	5514121-2	. RESERVOIR ASSY . . . . .	01
2	5514121-7	. TUBE ASSY . . . . .	01
3	5514121-9	. TUBE ASSY . . . . .	01
4	5514121-24	. TUBE ASSY . . . . .	01
5	5514121-26	. TUBE ASSY . . . . .	01
6	5514121-30	. TUBE ASSY . . . . .	01
7	6508092-1	. PUMP ASSY FSO 6508092-4 . . . . .	NP R
- 7A	6508092-4	. PUMP ASSY FOR SPARES ONLY . . . . .	01 R
- 8	479729	. . . . . FILTER . . . . . V72850	01 R
9	AN832-4D	. . . . . UNION . . . . .	01 R
- 9A	MS24393D4	. . . . . UNION ALT FOR AN832-4D . . . . .	01 R
10	S1450-7D11-125	. . . . . WASHER . . . . .	04 R
11	AN924-4D	. . . . . NUT . . . . .	02 R
12	AN833-4J	. . . . . ELBOW . . . . .	01 R
13	AN742-4	. . . . . CLAMP . . . . .	01 R
		. . . . . ATTACHING PARTS	
14	MS27039-1-08	. . . . . SCREW . . . . .	01 R
15	MS21044N3	. . . . . NUT . . . . .	01 R
		. . . . . *	
16	MS20822-4J	. . . . . ELBOW . . . . .	02 R
17	NAS557-4A	. . . . . GROMMET . . . . .	01 R
18	NAS1149D0316H	. . . . . WASHER . . . . .	06 R
19	AN3-4A	. . . . . BOLT . . . . .	02 R
20	MS27039-1-06	. . . . . SCREW . . . . .	04 R
21	AS5174D0404	. . . . . UNION . . . . .	01 R
22	MS21919WH16	. . . . . CLAMP . . . . .	01 R
23	MS21919WDG4	. . . . . CLAMP . . . . .	01 R
		. . . . . ATTACHING PARTS	
24	MS27039-1-08	. . . . . SCREW . . . . .	01 R
25	MS21044N3	. . . . . NUT . . . . .	01 R
		. . . . . *	
26	MS21919WDG4	. . . . . CLAMP . . . . .	01 R
27	5527214-26	. . . . . FITTING ASSY . . . . .	01 R
28	NAS1612-10	. . . . . O-RING . . . . .	01 R
29	AS5169D10L	. . . . . PLUG/BLEEDER . . . . .	01 R
30	NAS1612-8	. . . . . O-RING . . . . .	01 R
31	S-53FC	. . . . . SIGHT GAUGE . . . . . V97484	01 R
32	MS35058-22	. . . . . SWITCH-ALCOHOL WINDSHIELD ANTI-ICE SI062 . . . . .	01 R
33	S2742-8	. . . . . TIP-SWITCH GREEN SI062 . . . . .	01 R

- ITEM NOT ILLUSTRATED

CESSNA®  
**MODEL 525 (SERIALS -0685 AND -0800 AND ON)**  
 ILLUSTRATED PARTS CATALOG

A88042



WINDSHIELD ANTI-ICE SYSTEM - AIR DUCTS  
 FIGURE 03 (SHEET 1)

6310T1168  
 A-F6314T1805

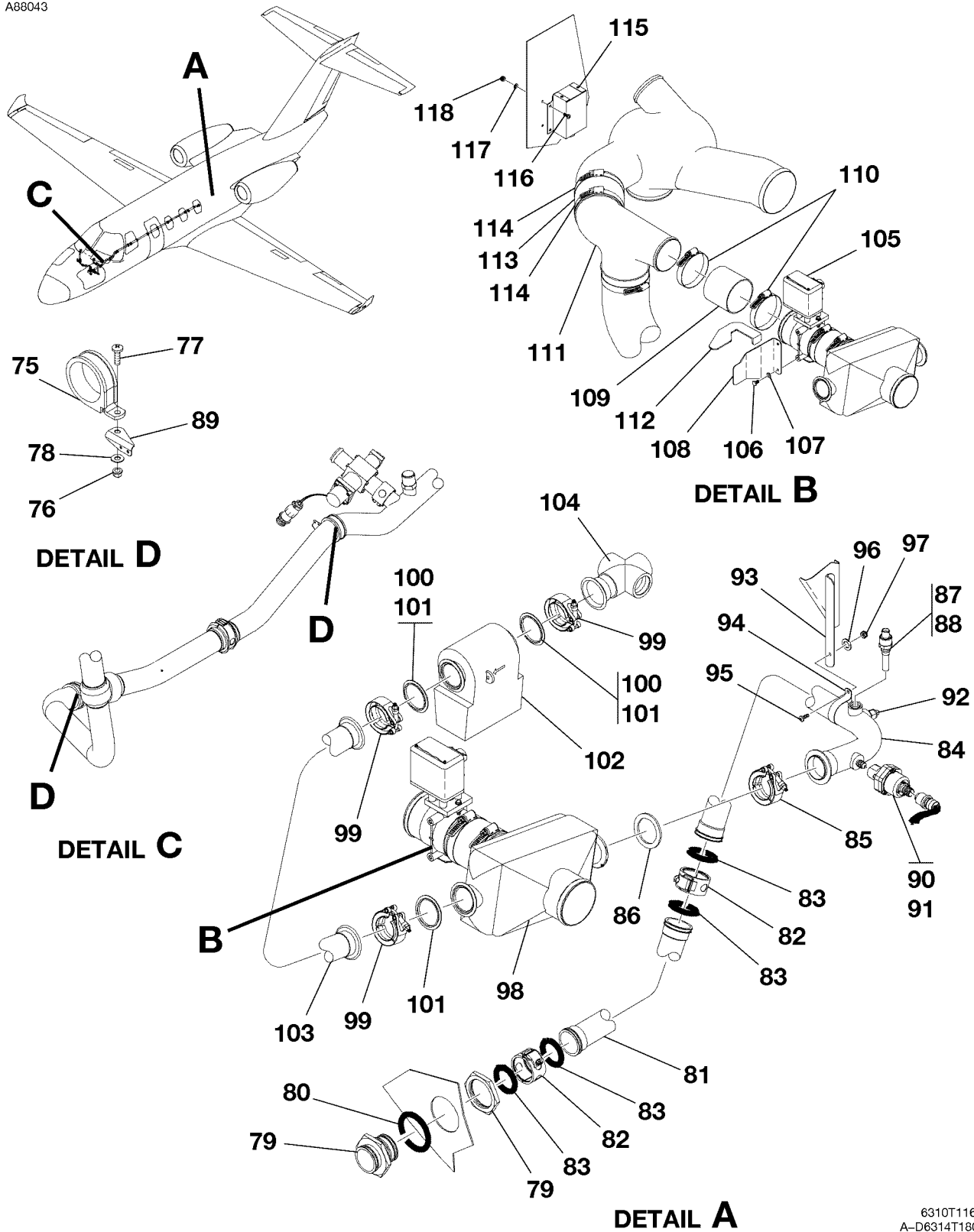
CESSNA®  
**MODEL 525 (SERIALS -0685 AND -0800 AND ON)**  
 ILLUSTRATED PARTS CATALOG

FIG ITEM	PART NUMBER	NOMENCLATURE	UNITS
			PER ASSY
03		WINDSHIELD ANTI-ICE SYSTEM - AIR DUCTS	RF
-			
1	9912026-3	. FLEX JOINT . . . . .	04
2	AN737TW44	. CLAMP . . . . .	04
3	5514120-67	. TUBE ASSY-LH . . . . .	01
4	5514120-63	. TUBE ASSY-RH . . . . .	01
5	MS21919WH16	. CLAMP . . . . .	01
		ATTACHING PARTS	
6	MS27039-1-15	. SCREW . . . . .	01
7	MS21083N3	. NUT . . . . .	01
		—*—	
8	5514120-37	. FITTING . . . . .	02
9	5514120-101	. GASKET . . . . .	04
10	1403-25	. BUTTERFLY VALVE . . . . . V34163	02
		ATTACHING PARTS	
11	AN3-32A	. BOLT . . . . .	04
12	NAS1149F0332P	. WASHER . . . . .	04
13	MS21044N3	. NUT . . . . .	04
		—*—	
14	BWT10-3160160D	. FLEX DUCT . . . . . VK2962	01
15	S3438-0200	. CLAMP . . . . .	02
16	4711870-5	. AIR INLET ASSY-LH . . . . .	01
17	4711870-6	. AIR INLET ASSY-RH . . . . .	01
18	4711870-8	. GASKET . . . . .	01
19	MS35206-226	. SCREW . . . . .	02
20	S3002-5	. BALL STUD . . . . .	02
21	5514120-13	. TUBE ASSY-LH . . . . .	01
22	5514120-65	. TUBE ASSY-RH . . . . .	01
23	AN924-16D	. NUT . . . . .	02
24	6514127-11	. WASHER . . . . .	02
25	AN839-16D	. ELBOW . . . . .	02
26	S1891-12S	. CLAMP . . . . . V79326	04
27	S1891-20S	. CLAMP . . . . . V79326	02
28	6314127-2	. Y DUCT ASSY . . . . .	01
29	W991-24DE	. COUPLING . . . . . V79326	09
30	AS3582-222	. O-RING . . . . .	18
31	6314476-2	. TUBE ASSY . . . . .	01
32	6314476-3	. TUBE ASSY . . . . .	01
33	6314622-6	. TUBE ASSY . . . . .	01 R
34	NAS1716D24T	. CLAMP . . . . .	06
35	6314473-14	. BRACKET ASSY . . . . .	05
		ATTACHING PARTS	
36	MS27039-1-08	. SCREW . . . . .	02
		—*—	
- 37	6314473-15	. BRACKET . . . . .	01 R
- 38	MS21052-3	. NUTPLATE . . . . .	02 R
39	MS21045L3	. NUT . . . . .	02 R
40	6314120-6	. TUBE ASSY . . . . .	01 R
41	6214522-28	. TUBE ASSY . . . . .	01 R
42	6314120-26	. TUBE ASSY . . . . .	01 R
43	6314120-24	. TUBE ASSY . . . . .	01 R
44	6314120-10	. TUBE ASSY . . . . .	01 R
45		. EMERGENCY PRESSURIZATION SYSTEM REFER TO 21-30-00 FIGURE 02 .	RF R
46	AS5169D06	. PLUG/BLEEDER . . . . .	01 R
47	MS28034-3	. BULB . . . . .	01 R
48	S3278C6	. O-RING . . . . .	01 R
49	9912085-3	. SENSOR-TEMPERATURE . . . . .	01 R
50	AS3582-014	. O-RING . . . . .	01 R

- ITEM NOT ILLUSTRATED

CESSNA®  
**MODEL 525 (SERIALS -0685 AND -0800 AND ON)**  
 ILLUSTRATED PARTS CATALOG

A88043



WINDSHIELD ANTI-ICE SYSTEM - AIR DUCTS  
 FIGURE 03 (SHEET 2)

6310T1168  
 A-D6314T1806

CESSNA®  
**MODEL 525 (SERIALS -0685 AND -0800 AND ON)**  
 ILLUSTRATED PARTS CATALOG

FIG ITEM	PART NUMBER	NOMENCLATURE	UNITS
			PER ASSY
03			
75	MS21919WH24	. CLAMP . . . . .	02
76	MS21042-3	. NUT . . . . .	02
77	MS27039-1-08	. SCREW . . . . .	04
78	NAS1149D0332K	. WASHER . . . . .	02
79	W922N24DE	. BULKHEAD FITTING . . . . . V79326	01
80	MS9068-035	. O-RING . . . . .	01
81	6314120-12	. TUBE ASSY . . . . .	01
82	14J02-24A	. CLAMSHELL ASSY . . . . .	02
83	MS9068-222	. O-RING . . . . .	04
84	6314121-8	. TUBE ASSY . . . . .	01
85	4573-150	. COUPLING . . . . . V98625	01
86	5514120-100	. GASKET . . . . .	01
87	9912085-3	. TEMPERATURE SENSOR . . . . .	01 R
88	MS9068-014	. O-RING . . . . .	01
89	S138-1	. BRACKET . . . . .	02
90	1115P25	. PRESSURE SWITCH-WINDSHIELD ANTI-ICE ST016 . . . . . V98087	01
91	MS9068-012	. O-RING . . . . .	01
92	AN929-4	. CAP ASSY . . . . .	01
93	6314120-18	. SUPPORT . . . . .	01
94	AN742D24	. CLAMP . . . . .	01
		ATTACHING PARTS	
95	MS27039-1-08	. SCREW . . . . .	01
96	NAS1149F0332P	. WASHER . . . . .	01
97	MS21045L3	. NUT . . . . .	01
		—*—	
98	9912041-3	. HEAT EXCHANGER . . . . .	01
99	S1921-3	. CLAMP . . . . . V00624	03
100	24096-150C	. GASKET . . . . . V00624	02
101	24346-150C	. GASKET . . . . . V00624	01
102	9912402-9	. VALVE-PRESSURE REGULATING . . . . .	01
103	6314120-14	. TUBE ASSY . . . . .	01
104		. FITTING ASSY-PNEUMATIC SYSTEM REFER TO 36-10-00 FIGURE 01 . . . . .	RF
105	9912085-1	. VALVE-TEMPERATURE CONTROL . . . . .	01
		ATTACHING PARTS	
106	NAS1223-1L	. BOLT . . . . .	02
107	NAS1149F0332P	. WASHER . . . . .	02
		—*—	
108	6314120-19	. BRACKET . . . . .	01
109	CM3213-12-2.75	. SLEEVE-FLEX BKI . . . . .	AR
		ATTACHING PARTS	
110	S1891-48S	. CLAMP . . . . .	04
		—*—	
111	6314120-21	. TEE-AIR DUCT . . . . .	01
112	6314120-20	. STIFFENER . . . . .	01
113	CM3213-16	. SLEEVE . . . . .	01
		ATTACHING PARTS	
114	S1891-64S	. CLAMP . . . . .	02
		—*—	
115	9912085-6	. CONTROLLER . . . . .	01
		ATTACHING PARTS	
116	MS27039-1-08	. SCREW . . . . .	04
117	NAS1149F0332P	. WASHER . . . . .	04
118	MS21045L3	. NUT . . . . .	04
		—*—	

- ITEM NOT ILLUSTRATED





**CHAPTER**

**31**

**INDICATING/  
RECORDING  
SYSTEMS**



CESSNA®  
**MODEL 525 (SERIALS -0685 AND -0800 AND ON)**  
ILLUSTRATED PARTS CATALOG

<b>CHAPTER SECTION SUBJECT</b>		<b>NUMBER OF PAGES</b>	<b>DATE</b>
31 - TITLE			
31 - LIST OF EFFECTIVE PAGES			
31 - RECORD OF TEMPORARY REVISIONS			
31 - TABLE OF CONTENTS			
31-10-00	Figure 01	6	Jul 1/2014
31-30-00	Figure 01	2	Nov 1/2013
31-30-01	Figure 01	2	Jun 1/2015
31-40-00	Figure 01	2	Nov 1/2013
31-50-00	Figure 01	2	Nov 1/2013





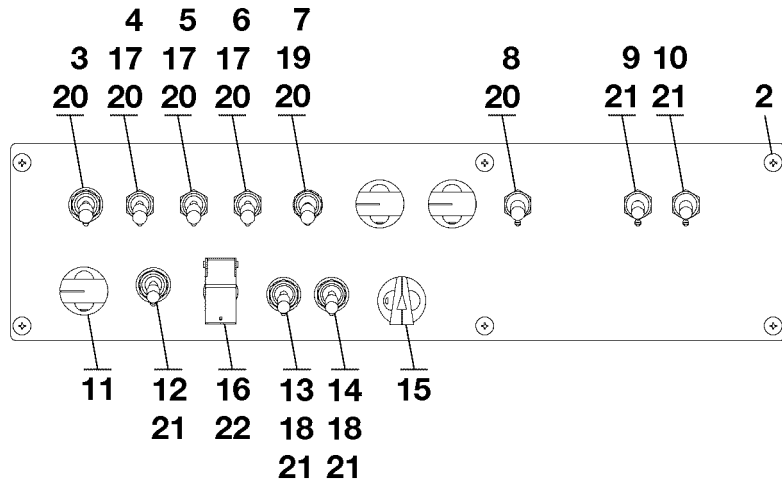
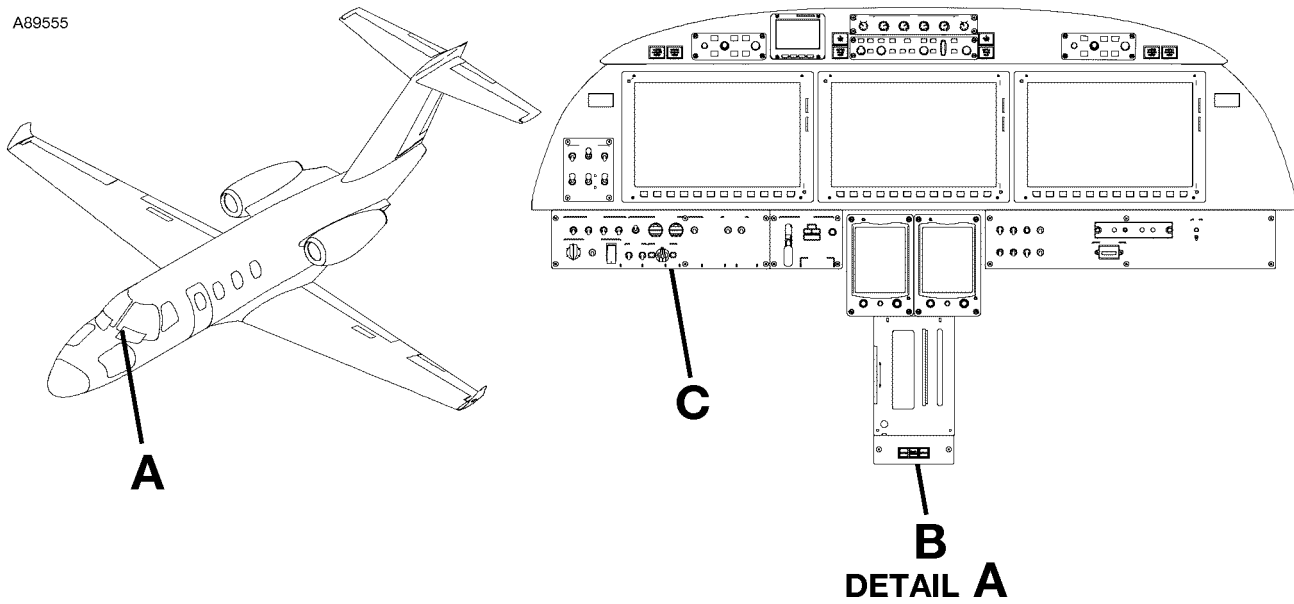


CESSNA®  
**MODEL 525 (SERIALS -0685 AND -0800 AND ON)**  
ILLUSTRATED PARTS CATALOG

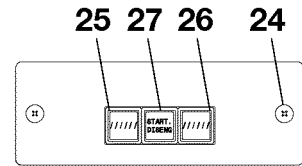
<u>SUBJECT</u>	<u>CHAPTER</u>	<u>FIGURE</u>	<u>EFFECTIVITY</u>	
	<u>SECTION</u>		<u>START</u>	<u>END</u>
	<u>SUBJECT</u>			
SWITCH PANEL INSTALLATION	31-10-00	01		
FLIGHT HOURMETER	31-30-00	01		
ARES RECORDER UNIT INSTALLATION	31-30-01	01		
DATA CONCENTRATOR UNIT (DCU)	31-40-00	01		
MASTER WARNING SYSTEM	31-50-00	01		

CESSNA®  
**MODEL 525 (SERIALS -0685 AND -0800 AND ON)**  
 ILLUSTRATED PARTS CATALOG

A89555



**DETAIL C**



**DETAIL B**

SWITCH PANEL INSTALLATION  
 FIGURE 01 (SHEET 1)

6310T1168  
 A6318T1848  
 B6318T1923  
 C6318T1925



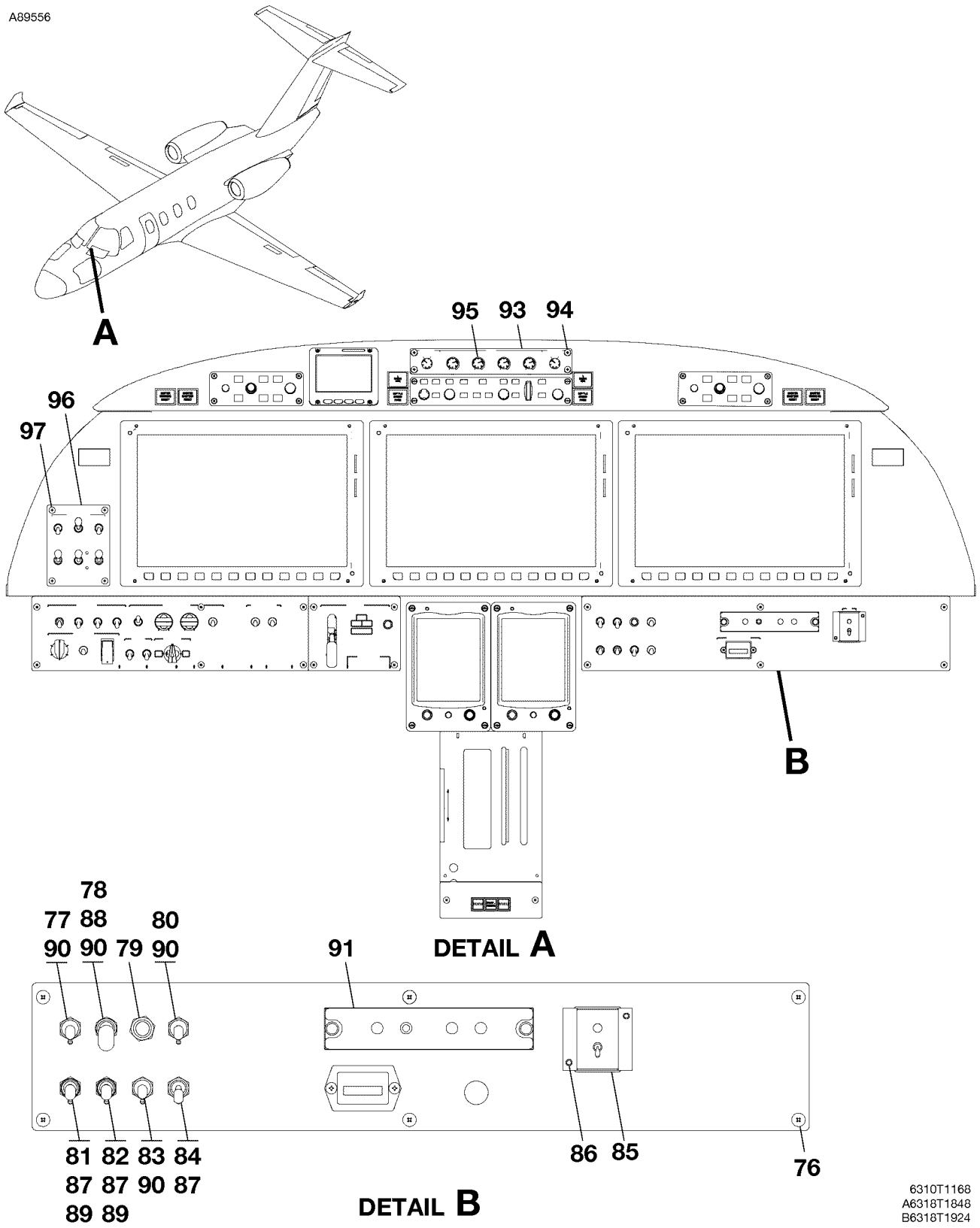
CESSNA®  
**MODEL 525 (SERIALS -0685 AND -0800 AND ON)**  
 ILLUSTRATED PARTS CATALOG

FIG ITEM	PART NUMBER	NOMENCLATURE	UNITS PER ASSY		
			1	2	3
01		SWITCH PANEL INSTALLATION			RF
- 1	6318880-1	. SWITCH PANEL ASSY-LH . . . . .	0800	0829	01 R
- 1A	6318880-10	. SWITCH PANEL ASSY-LH . . . . . ATTACHING PARTS	0830	& ON	01 R
2	CM3558-6-16B	. SCREW . . . . . *—			06
3	S382-3	. . SWITCH-WING XLFOW SI088 . . . . .			01
4	M8805/93-008	. . SWITCH-L WING/ENG SI007 . . . . .			01
5	M8805/93-008	. . SWITCH-R WING/ENG SI008 . . . . .			01
6	M8805/93-009	. . SWITCH-TAIL SI032 . . . . .			01 R
- 6A	M8805/93-015	. . SWITCH-L WINDSHIELD SI091 . . . . .	0830	& ON	01 R
7	M8805/93-015	. . SWITCH-BLEED SI063 . . . . .	0800	0829	01 R
- 7A	M8805/93-015	. . SWITCH-R WINDSHIELD SI093 . . . . .	0830	& ON	01 R
8	MS35058-22	. . SWITCH-ALCOHOL ON SI062 . . . . .	0800	0829	01 R
9	MS35058-27	. . SWITCH-TEMP SELECT HOT/COLD SI027 . . . . .			01
10	MS35058-23	. . SWITCH-TEMP SELECT MAN/NORM SI028 . . . . .			01
11	S3200-3	. . ROTARY SWITCH-AIR SOURCE SELECT SI059 . . . . .			01
12	MS35059-23	. . SWITCH-STBY NORM SI121 . . . . .			01
13	M8805/93-001	. . SWITCH-FUEL BOOST L SI047 . . . . .			01
14	M8805/93-001	. . SWITCH-FUEL BOOST R SI045 . . . . .			01
15	S3506-1	. . ROTARY SWITCH-FUEL TRANSFER SI046 . . . . .			01
16	MS35059-23	. . SWITCH-CABIN DUMP SI069 . . . . .			01
17	S3538-2	. . SWITCH COVER . . . . .			03
18	S3538-1	. . SWITCH COVER . . . . .			02
19	S3538-3	. . SWITCH COVER . . . . .	0800	0829	01 R
- 19A	S3538-3	. . SWITCH COVER . . . . .	0830	& ON	02 R
20	S2742-8	. . TIP . . . . .			06
21	S2742-24	. . TIP . . . . .			05
22	400-111	. . SWITCH GUARD . . . . . V33463			01
- 23	6318880-8	. SWITCH PANEL ASSY-AFT PEDESTAL . . . . . ATTACHING PARTS			01
24	CM3558-6-10B	. SCREW . . . . . *—			02
25	27489-124	. . SWITCH LIGHT-L ENGINE START SI017 . . . . .			01
26	27489-124	. . SWITCH LIGHT-R ENGINE START SI018 . . . . .			01
27	27489-125	. . SWITCH LIGHT-ENGINE START DISENGAGE SI021 . . . . .			01
- 28	4711877-1	. TILT PANEL BEZEL-LH . . . . .			01

- ITEM NOT ILLUSTRATED

CESSNA®  
**MODEL 525 (SERIALS -0685 AND -0800 AND ON)**  
 ILLUSTRATED PARTS CATALOG

A89556



6310T1168  
 A6318T1648  
 B6318T1924

**SWITCH PANEL INSTALLATION**  
 FIGURE 01 (SHEET 2)

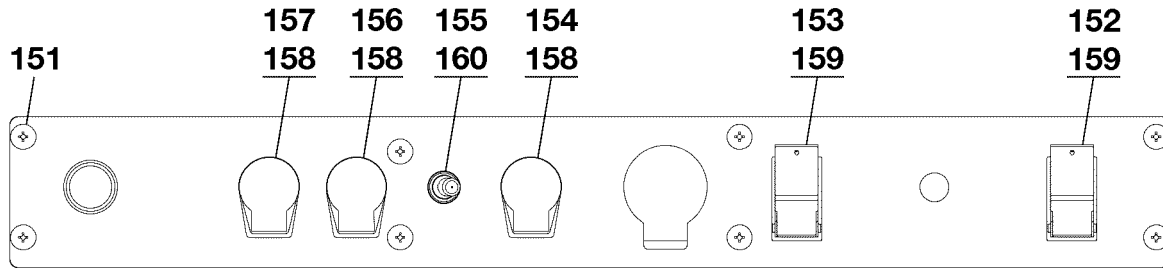
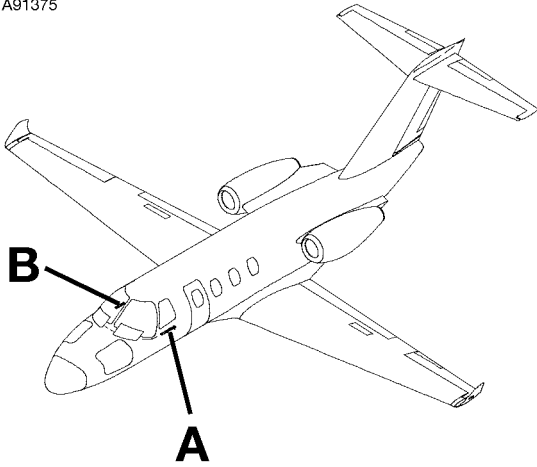
CESSNA®  
**MODEL 525 (SERIALS -0685 AND -0800 AND ON)**  
 ILLUSTRATED PARTS CATALOG

FIG ITEM	PART NUMBER	NOMENCLATURE	UNITS	
			PER	ASSY
01				
- 75	6318880-2	. SWITCH PANEL ASSY-RH . . . . . ATTACHING PARTS		01
76	CM3558-6-16B	. SCREW . . . . . —*—		06
77	MS35058-22	. SWITCH-WING INSP SI025 . . . . .		01
78	M8805/93-015	. SWITCH-PASS SAFETY SI031 . . . . .		01
79	C100-3	. SWITCH-EVENT MARKER SI124 . . . . .		01
80	MS35058-22	. SWITCH-EMER COMM 121.5 SI122 . . . . .		01
81	M8805/93-012	. SWITCH-PITOT STATIC HTR 1 SI011 . . . . .		01
82	M8805/93-012	. SWITCH-PITOT STATIC HTR 2 SI034 . . . . .		01
83	MS35058-22	. SWITCH-ANTI-COLL LIGHT SI056 . . . . .		01
84	M8805/93-008	. SWITCH-LANDING LIGHT SI111 . . . . .		01
85	453-0022	. ELT REMOTE SWITCH-ELT SWITCH UI521 . . . . . ATTACHING PARTS		01
86	MS35206-213	. SCREW . . . . . —*—		02
87	S3538-2	. SWITCH COVER . . . . .		03
88	S3538-3	. SWITCH COVER . . . . .		01
89	S2742-8	. TIP . . . . .		02
90	S2742-24	. TIP . . . . .		AR
91	6318881-9	. BLANKING PLATE ASSY-USED WITHOUT CVR . . . . .		01
- 92	3506-SC38A-EEB	. STUD ASSY . . . . .		02
93	6318880-5	. SWITCH PANEL ASSY-REV/DIM . . . . . ATTACHING PARTS		01
94	CM3558-6-12B	. SCREW . . . . . —*—		04
95	S3216B1	. KNOB . . . . .		06
96	6318880-11	. SWITCH PANEL ASSY-POWER . . . . .	0800	0831 01 R
- 96A	6318880-12	. SWITCH PANEL ASSY-POWER . . . . . ATTACHING PARTS	0832 & ON	01 R
97	CM3558-6-12B	. SCREW . . . . . —*—		04
- 98	4711877-2	. TILT PANEL BEZEL-RH . . . . .		01

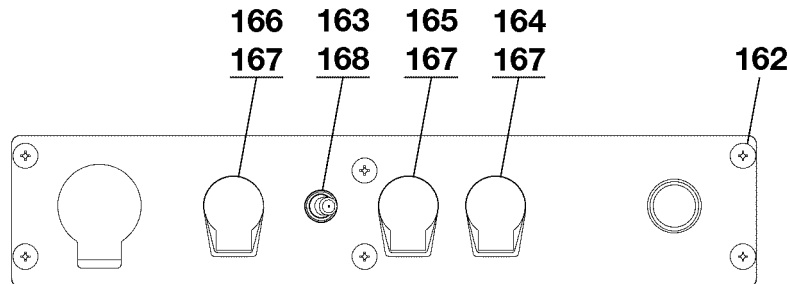
- ITEM NOT ILLUSTRATED

CESSNA®  
**MODEL 525 (SERIALS -0685 AND -0800 AND ON)**  
 ILLUSTRATED PARTS CATALOG

A91375



**DETAIL A**



**DETAIL B**

SWITCH PANEL INSTALLATION  
 FIGURE 01 (SHEET 3)

6310T1168  
 A6318T1986  
 B6318T1986

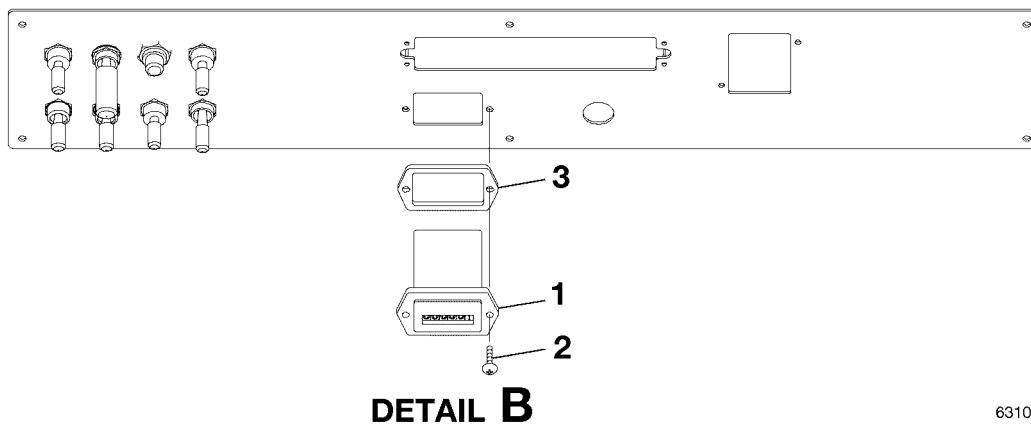
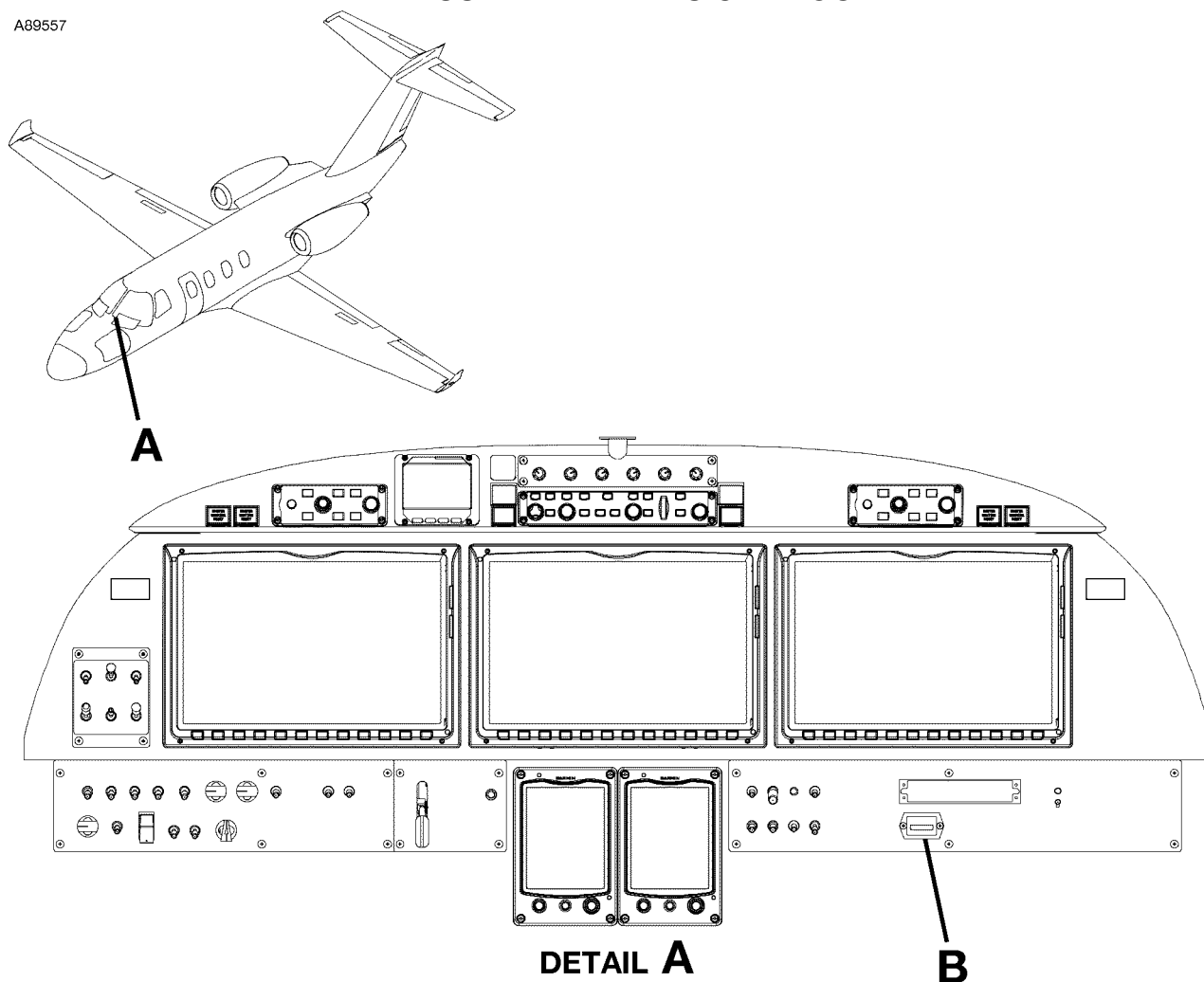
CESSNA®  
**MODEL 525 (SERIALS -0685 AND -0800 AND ON)**  
 ILLUSTRATED PARTS CATALOG

FIG ITEM	PART NUMBER	NOMENCLATURE	UNITS
			PER ASSY
01			
- 150	6318880-13	. SWITCH PANEL ASSY-LH CONSOLE . . . . .	01
		ATTACHING PARTS	
151	CM3558-6-12B	. SCREW . . . . .	08
		—*—	
152	MS35059-23	. . SWITCH-BATTERY DISCONNECT SC067 . . . . .	01
153	MS35058-23	. . SWITCH-INTERIOR MASTER SC008 . . . . .	01
154	S1102-1X	. . JACK-OXY MASK MIC JC506 . . . . .	01
155	MS30911-231	. . SWITCH-MIC SELECT SC516 . . . . .	01
156	S1102-1X	. . JACK-MIC JC505 . . . . .	01
157	S1102-3	. . MIC JACK-PHONE JC507 . . . . .	01
158	515	. . COVER . . . . . V82389	03
159	400-111	. . SWITCH GUARD . . . . . V33463	02
160	S2742-24	. . TIP . . . . .	01
- 161	6318880-14	. SWITCH PANEL ASSY-RH CONSOLE . . . . .	01
		ATTACHING PARTS	
162	CM3558-6-12B	. SCREW . . . . .	06
		—*—	
163	MS90311-231	. . SWITCH-MIC SELECT SF516 . . . . .	01
164	S1102-3	. . MIC JACK-PHONE JF507 . . . . .	01
165	S1102-1X	. . JACK-MIC JF509 . . . . .	01
166	S1102-1X	. . JACK-MIC OXY MASK JF506 . . . . .	01
167	515	. . COVER . . . . . V82389	03
168	S2742-24	. . TIP . . . . .	01

- ITEM NOT ILLUSTRATED

CESSNA®  
**MODEL 525 (SERIALS -0685 AND -0800 AND ON)**  
 ILLUSTRATED PARTS CATALOG

A89557



FLIGHT HOURMETER  
 FIGURE 01 (SHEET 1)

6310T1168  
 A6318T1888  
 B6318T1922

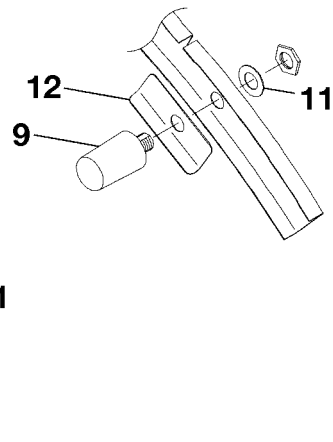
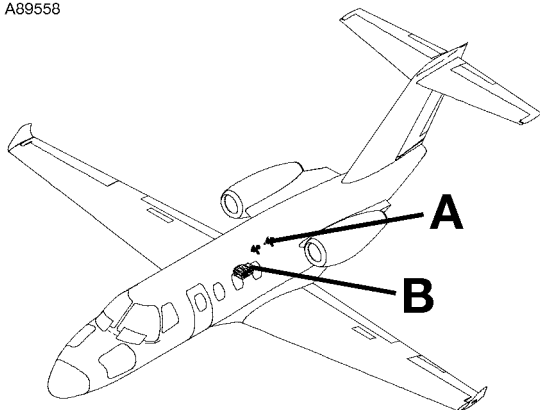
CESSNA®  
**MODEL 525 (SERIALS -0685 AND -0800 AND ON)**  
 ILLUSTRATED PARTS CATALOG

FIG ITEM	PART NUMBER	1 2 3 4 5 6 7	NOMENCLATURE	UNITS PER ASSY
01				
-			FLIGHT HOURMETER	RF
1	C664503-0104		. HOURMETER-EI013 .....	01
			ATTACHING PARTS	
2	CM3558-4-10B		. SCREW .....	02
3	6318881-17		. SPACER .....	01
			—*—	

- ITEM NOT ILLUSTRATED

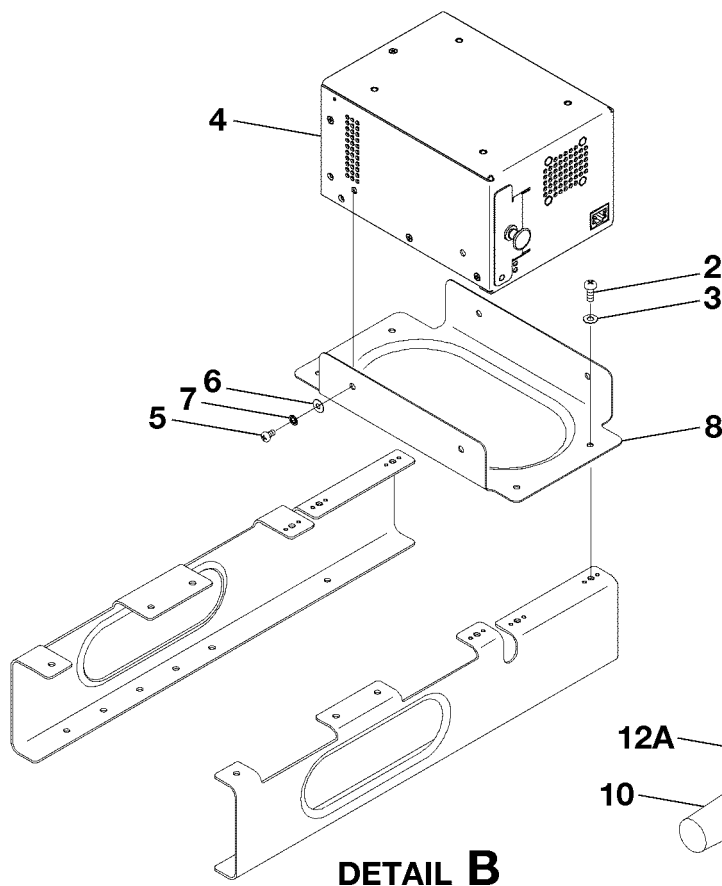
CESSNA®  
**MODEL 525 (SERIALS -0685 AND -0800 AND ON)**  
 ILLUSTRATED PARTS CATALOG

A89558

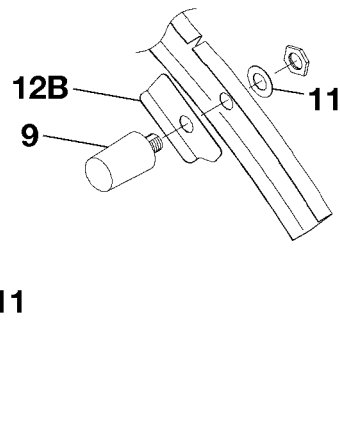


**DETAIL A**

Airplanes -0800 Thru -0887



**DETAIL B**



**DETAIL A**

Airplanes -0888 and On

AREC RECORDER UNIT INSTALLATION  
 FIGURE 01 (SHEET 1)

6310T1168  
 A6318T1891  
 A9154T713-6  
 B6318T1891



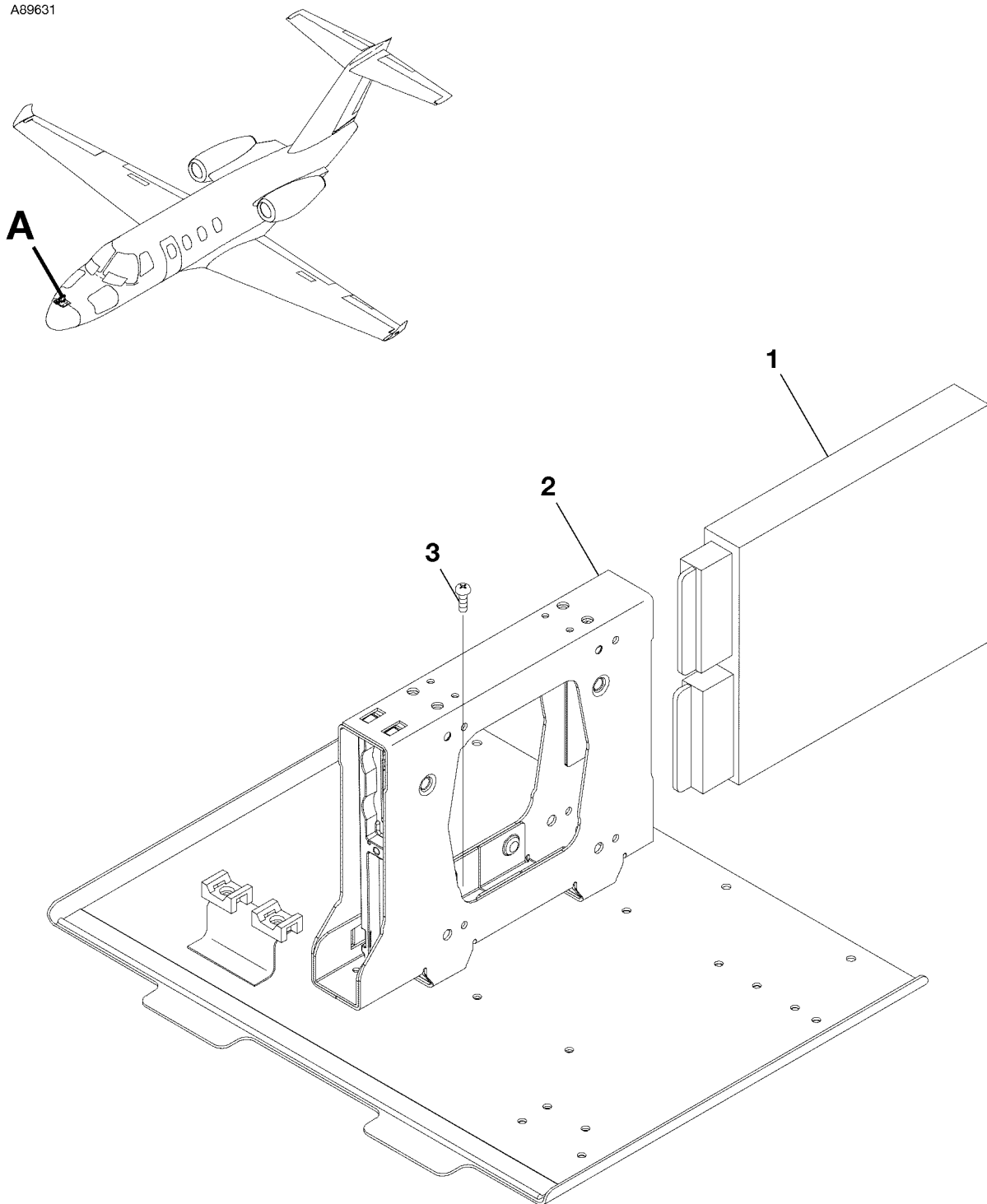
CESSNA®  
**MODEL 525 (SERIALS -0685 AND -0800 AND ON)**  
 ILLUSTRATED PARTS CATALOG

FIG ITEM	PART NUMBER	NOMENCLATURE	UNITS PER ASSY		
			1	2	3
01		ARES RECORDER UNIT INSTALLATION			RF
-		. ARES BRACKET ASSY . . . . .			01 R
- 1	6318829-28	. ATTACHING PARTS			
2	MS35206-244	. SCREW . . . . .			04
3	NAS1149FN816P	. WASHER . . . . .			04
		—*—			
4	6918236-1	. . RECORDER UNIT ASSY . . . . .	0800	0878	01 R
- 4A	6918236-20	. . RECORDER UNIT ASSY . . . . .	0879	& ON	01 R
		. ATTACHING PARTS			
5	MS35206-226	. . SCREW . . . . .			04
6	NAS1149FN616P	. . WASHER . . . . .			04
7	MS35333-37	. . LOCK WASHER . . . . .			04
		—*—			
8	6318829-29	. . BRACKET . . . . .			01
9	TRAB24/49003P	. ANTENNA-DUAL BAND YC601 . . . . .			01
10	TRAB24/49003P	. ANTENNA-DUAL BAND YC603 . . . . .			01
		. ATTACHING PARTS			
11	NAS1149F1032P	. WASHER . . . . .			02
		—*—			
12	9154713-4	. DOUBLER . . . . .	0800	0887	02 R
12A	9154713-4	. DOUBLER . . . . .	0888	& ON	01 R
12B	9154713-7	. AFT DOUBLER . . . . .	0888	& ON	01 R

- ITEM NOT ILLUSTRATED

CESSNA®  
MODEL 525 (SERIALS -0685 AND -0800 AND ON)  
ILLUSTRATED PARTS CATALOG

A89631



**DETAIL A**

DATA CONCENTRATOR UNIT (DCU)  
FIGURE 01 (SHEET 1)

6310T1168  
A6318T1912

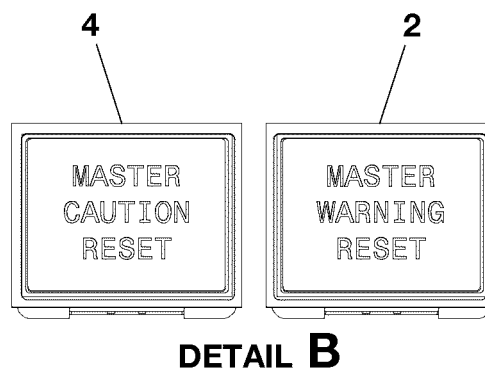
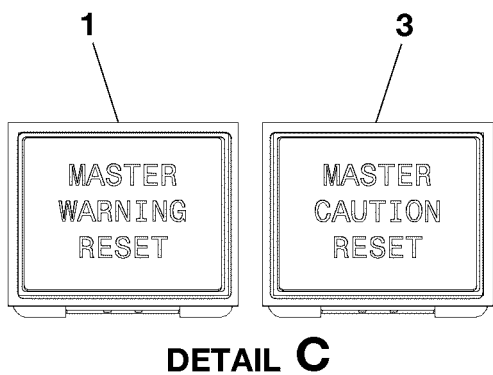
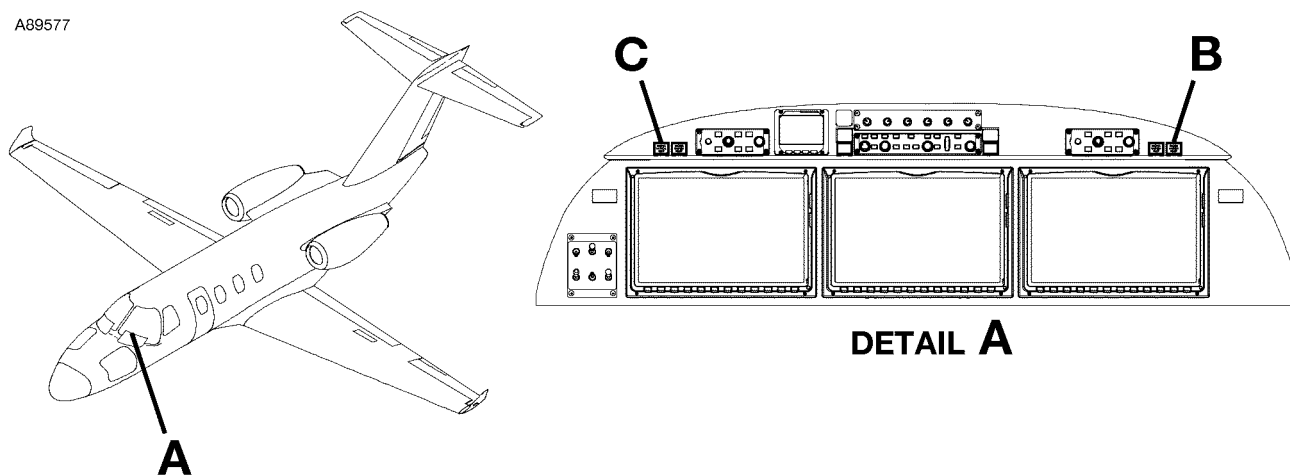
CESSNA®  
**MODEL 525 (SERIALS -0685 AND -0800 AND ON)**  
 ILLUSTRATED PARTS CATALOG

FIG ITEM	PART NUMBER	1 2 3 4 5 6 7	NOMENCLATURE	UNITS PER ASSY
01				
-			DATA CONCENTRATOR UNIT (DCU)	RF
1	011-01457-01		. GSD 41-DATA CONCENTRATOR UNIT UZ401 . . . . . V0TRC3	01
2	115-00658-00		. REMOTE MOUNT RACK . . . . . V0TRC3	01
			ATTACHING PARTS	
3	MS35206-245		. SCREW . . . . .	04
			—*—	

- ITEM NOT ILLUSTRATED

CESSNA®  
**MODEL 525 (SERIALS -0685 AND -0800 AND ON)**  
 ILLUSTRATED PARTS CATALOG

A89577



MASTER WARNING SYSTEM  
 FIGURE 01 (SHEET 1)

6310T1168  
 A6318T1886  
 B6318T1886  
 C6318T1886

CESSNA®  
**MODEL 525 (SERIALS -0685 AND -0800 AND ON)**  
 ILLUSTRATED PARTS CATALOG

FIG ITEM	PART NUMBER	1 2 3 4 5 6 7	NOMENCLATURE	UNITS PER ASSY
01				
-			MASTER WARNING SYSTEM	RF
1	27480-104		. SWITCH-LED MASTER WARNING LIGHT PILOTS SI137 . . . . . V81590	01
2	27480-104		. SWITCH-LED MASTER WARNING LIGHT COPILOTS SI138 . . . . . V81590	01
3	27480-103		. SWITCH-LED MASTER CAUTION LIGHT PILOTS SI135 . . . . . V81590	01
4	27480-103		. SWITCH-LED MASTER CAUTION LIGHT COPILOTS SI136 . . . . . V81590	01

- ITEM NOT ILLUSTRATED



**CHAPTER**

**32**

**LANDING GEAR**





CESSNA®  
**MODEL 525 (SERIALS -0685 AND -0800 AND ON)**  
 ILLUSTRATED PARTS CATALOG

<b>CHAPTER SECTION SUBJECT</b>		<b>NUMBER OF PAGES</b>	<b>DATE</b>
32 - TITLE			
32 - LIST OF EFFECTIVE PAGES			
32 - RECORD OF TEMPORARY REVISIONS			
32 - TABLE OF CONTENTS			
32-10-00	Figure 01	2	Nov 1/2016
32-20-00	Figure 01	2	Jun 1/2017
32-30-00	Figure 01	2	Nov 1/2013
32-30-00	Figure 02	6	Jul 1/2014
32-30-00	Figure 03	6	Nov 1/2013
32-30-00	Figure 04	2	Nov 1/2013
32-30-00	Figure 05	2	Nov 1/2013
32-30-00	Figure 06	2	Nov 1/2013
32-30-01	Figure 01	2	Jul 1/2014
32-30-01	Figure 02	2	Jun 1/2017
32-30-01	Figure 03	2	Nov 1/2013
32-30-01	Figure 04	4	Jun 1/2017
32-30-02	Figure 01	2	Jul 1/2014
32-40-00	Figure 01	2	Nov 1/2016
32-40-00	Figure 02	2	Nov 1/2016
32-41-00	Figure 01	6	Jun 1/2016
32-41-00	Figure 02	2	Nov 1/2013
32-41-00	Figure 03	6	Dec 1/2015
32-41-00	Figure 04	2	Jul 1/2014
32-41-00	Figure 05	4	Nov 1/2016
32-41-01	Figure 01	2	Nov 1/2013
32-41-02	Figure 01	2	Nov 1/2013
32-50-00	Figure 01	6	Dec 1/2017
32-60-00	Figure 01	2	Jul 1/2014
32-70-00	Figure 01	2	Nov 1/2013
32-70-00	Figure 02	2	Nov 1/2013





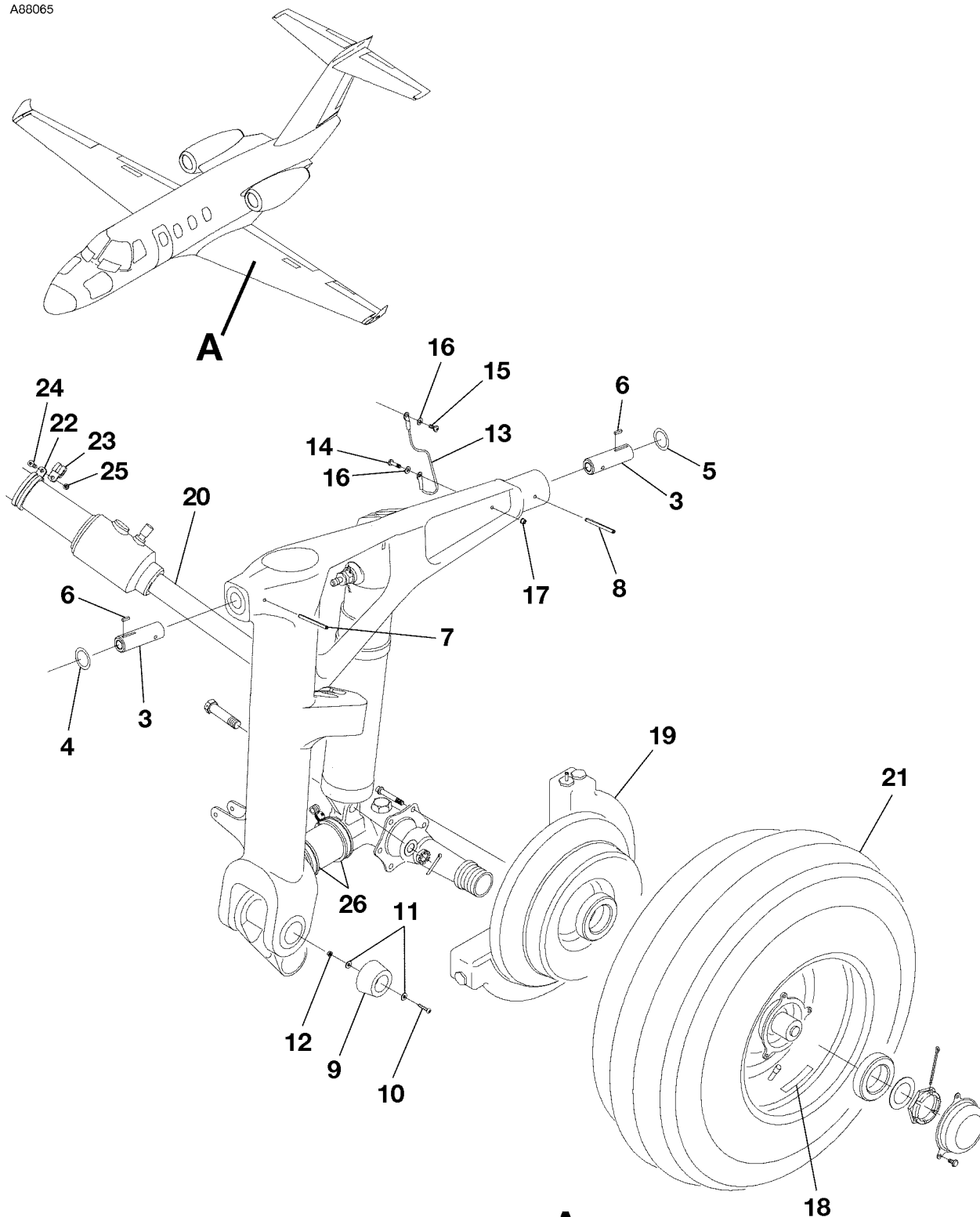


CESSNA®  
**MODEL 525 (SERIALS -0685 AND -0800 AND ON)**  
 ILLUSTRATED PARTS CATALOG

<u>SUBJECT</u>	<u>CHAPTER SECTION SUBJECT</u>	<u>FIGURE</u>	<u>EFFECTIVITY</u>	
			<u>START</u>	<u>END</u>
MAIN LANDING GEAR (MLG)	32-10-00	01		
NOSE LANDING GEAR (NLG)	32-20-00	01		
GEAR EXTENSION AND RETRACTION CONTROL SYSTEM	32-30-00	01		
EXTENSION AND RETRACTION SYSTEM - MAIN GEAR	32-30-00	02		
GEAR EMERGENCY CONTROL SYSTEM - FUSELAGE	32-30-00	03		
GEAR EMERGENCY CONTROL SYSTEM - NOSE	32-30-00	04		
GEAR EMERGENCY CONTROL SYSTEM - WING	32-30-00	05		
GEAR EMERGENCY CONTROL SYSTEM - PNEUMATIC	32-30-00	06		
MAIN GEAR DOOR EXTENSION AND RETRACTION SYSTEM	32-30-01	01		
NOSE GEAR DOOR EXTENSION AND RETRACTION SYSTEM	32-30-01	02		
NOSE GEAR HYDRAULIC SYSTEM - CABIN SECTION	32-30-01	03		
NOSE GEAR HYDRAULIC SYSTEM - NOSE SECTION	32-30-01	04		
GEAR EMERGENCY EXTENSION SYSTEM - FUSELAGE	32-30-02	01		
WHEEL, TIRE AND BRAKE - MAIN LANDING GEAR (MLG)	32-40-00	01		
WHEEL AND TIRE ASSEMBLY - NOSE LANDING GEAR (NLG)	32-40-00	02		
ANTISKID BRAKE CONTROL SYSTEM - NOSE	32-41-00	01		
ANTISKID BRAKE CONTROL SYSTEM - FUSELAGE	32-41-00	02		
ANTISKID BRAKE PRESSURIZATION SYSTEM	32-41-00	03		
ANTISKID BRAKE CONTROL SYSTEM - WING	32-41-00	04		
EMERGENCY BRAKE SYSTEM	32-41-00	05		
BRAKE RESERVOIR PRESSURIZATION SYSTEM	32-41-01	01		
RESERVOIR ASSEMBLY - BRAKE FLUID	32-41-02	01		
NOSE WHEEL STEERING SYSTEM	32-50-00	01		
LANDING GEAR POSITION AND WARNING SYSTEM	32-60-00	01		
SKID RAIL - CENTER WING	32-70-00	01		
TAIL SKID INSTALLATION	32-70-00	02		

CESSNA®  
MODEL 525 (SERIALS -0685 AND -0800 AND ON)  
ILLUSTRATED PARTS CATALOG

A88065



**DETAIL A**

MAIN LANDING GEAR (MLG)  
FIGURE 01 (SHEET 1)

6310T1001  
A6341T1009

**CESSNA®**  
**MODEL 525 (SERIALS -0685 AND -0800 AND ON)**  
**ILLUSTRATED PARTS CATALOG**

FIG ITEM	PART NUMBER	NOMENCLATURE	UNITS PER ASSY		
			1	2	3
01		MAIN LANDING GEAR (MLG)			RF
-					
- 1	6341003-27	. MLG TRUNNION ASSY-LH REFER TO NOTE 1 FSO 6341003-47 . . . . .	0800	0804	NP R
- 1A	6341003-35	. MLG TRUNNION ASSY-LH REFER TO NOTE 1 FSO 6341003-47 . . . . .	0805	0928	NP R
- 1B	6341003-43	. MLG TRUNNION ASSY-LH REFER TO NOTE 1 FSO 6341003-47 . . . . .	0929	0929	NP R
- 1C	6341003-47	. MLG TRUNNION ASSY-LH REFER TO NOTE 1 . . . . .	0930	& ON	01 R
- 1D	6341003-31	. MLG TRUNNION ASSY-LH USED WITH WHITE LANDING GEAR REFER TO NOTE 1 FSO 6341003-49 . . . . .	0800	0804	NP R
- 1E	6341003-37	. MLG TRUNNION ASSY-LH USED WITH WHITE LANDING GEAR REFER TO NOTE 1 FSO 6341003-49 . . . . .	0805	0928	NP R
- 1F	6341003-45	. MLG TRUNNION ASSY-LH USED WITH WHITE LANDING GEAR REFER TO NOTE 1 FSO 6341003-49 . . . . .	0929	0929	NP R
- 1G	6341003-49	. MLG TRUNNION ASSY-LH USED WITH WHITE LANDING GEAR REFER TO NOTE 1 . . . . .	0930	& ON	01 R
- 2	6341003-28	. MLG TRUNNION ASSY-RH REFER TO NOTE 1 FSO 6341003-48 . . . . .	0800	0804	NP R
- 2A	6341003-36	. MLG TRUNNION ASSY-RH REFER TO NOTE 1 FSO 6341003-48 . . . . .	0805	0928	NP R
- 2B	6341003-44	. MLG TRUNNION ASSY-RH REFER TO NOTE 1 FSO 6341003-48 . . . . .	0929	0929	NP R
- 2C	6341003-48	. MLG TRUNNION ASSY-RH REFER TO NOTE 1 . . . . .	0930	& ON	01 R
- 2D	6341003-32	. MLG TRUNNION ASSY-RH USED WITH WHITE LANDING GEAR REFER TO NOTE 1 FSO 6341003-50 . . . . .	0800	0804	NP R
- 2E	6341003-38	. MLG TRUNNION ASSY-RH USED WITH WHITE LANDING GEAR REFER TO NOTE 1 FSO 6341003-50 . . . . .	0805	0928	NP R
- 2F	6341003-46	. MLG TRUNNION ASSY-RH USED WITH WHITE LANDING GEAR REFER TO NOTE 1 FSO 6341003-50 . . . . .	0929	0929	NP R
- 2G	6341003-50	. MLG TRUNNION ASSY-RH USED WITH WHITE LANDING GEAR REFER TO NOTE 1 . . . . .	0930	& ON	01 R
		ATTACHING PARTS			
3	6341112-2	. PIN . . . . .			02
4	5541219-2	. WASHER-FWD . . . . .			01
5	5541219-1	. WASHER-AFT . . . . .			AR
6	NAS558P404-8	. KEY . . . . .			02
7	NAS561P6-36	. PIN-FWD . . . . .			01
8	NAS561P6-32	. PIN-AFT . . . . .			01
		—*—			
9	2988-BLK	. BUMPER . . . . . V13862			01
		ATTACHING PARTS			
10	MS35206-323	. SCREW . . . . .			01
11	NAS1149FN432P	. WASHER . . . . .			02
12	MS21042L04	. NUT . . . . .			01
		—*—			
13	MS25083-2BB8	. JUMPER ASSY . . . . .			02
		ATTACHING PARTS			
14	MS27039-1-11	. SCREW . . . . .			01
15	MS27039-1-07	. SCREW . . . . .			01
16	NAS1149D0332J	. WASHER . . . . .			02
17	MS21042L3	. NUT . . . . .			01
		—*—			
18		. PLACARD-TIRE PRESSURE REFER TO 11-N-27 FIGURE 02 . . . . .			RF
19		. BRAKE ASSY-MAIN LH AND RH REFER TO 32-40-00 FIGURE 01 . . . . .			RF
20		. ACTUATOR ASSY-MLG REFER TO 32-30-00 FIGURE 02 . . . . .			RF
21		. WHEEL AND TIRE ASSY REFER TO 32-40-00 FIGURE 01 . . . . .			RF
22	TA03113D036NB	. CLAMP . . . . . V84971			03
23	TA027000D004NB	. CLAMP . . . . . V84971			05
24	MS35207-263	. SCREW . . . . .			05
25	MS21042-3	. NUT . . . . .			05
26	TA03113D039NB	. CLAMP-WITH ANTISKID . . . . . V84971			02

NOTE 1—REFER TO COMPONENTS MAINTENANCE MANUAL FOR BREAKDOWN.





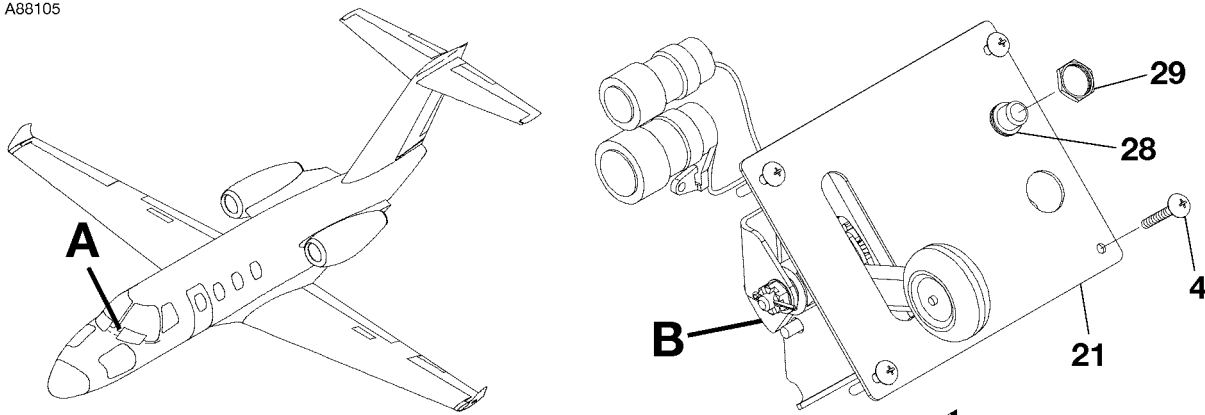
CESSNA®  
**MODEL 525 (SERIALS -0685 AND -0800 AND ON)**  
 ILLUSTRATED PARTS CATALOG

FIG ITEM	PART NUMBER	NOMENCLATURE	UNITS PER ASSY		
			1	2	3
01		NOSE LANDING GEAR (NLG)			RF
-					
1	6342000-42	. NOSE GEAR ASSY FSO 6342000-46 REFER TO NOTE 1 . . . . .	0800	0975	NP R
- 1A	6342000-46	. NOSE GEAR ASSY REFER TO NOTE 1 . . . . .	0976	& ON	01 R
		ATTACHING PARTS			
2	S3461-43	. BOLT . . . . .	0800	0975	02 R
- 2A	S3468-32	. BOLT-PENETRANT INSPECTED . . . . .	0976	& ON	02 R
3	NAS1149F0732P	. WASHER . . . . .			04
4	NAS1149F0763P	. WASHER . . . . .			04
5	5542224-2	. BEARING . . . . .			02
6	AN320-7	. NUT . . . . .			02
7	MS24665-285	. COTTER PIN . . . . .			02
		—*—			
8	5542309-3	. HOOK ASSY-UPLOCK . . . . .			01
		ATTACHING PARTS			
9	NAS464P4-38	. BOLT . . . . .			01
10	5542210-1	. SPACER . . . . .			01
11	NAS1401-4-3	. WASHER . . . . .			02
12	AN320-4	. NUT . . . . .			01
13	MS24665-134	. COTTER PIN . . . . .			01
		—*—			
- 14	MS21240-06C16	. . BEARING . . . . .			02
15	5542400-3	. BRACKET ASSY . . . . .			01
		ATTACHING PARTS			
16	NAS1149F0432P	. WASHER . . . . .			04
17	MS21042-4	. NUT . . . . .			04
		—*—			
- 18	MS21047L4	. . NUTPLATE . . . . .			02
19	AN4-5A	. BOLT . . . . .			04
20	6800-048	. RETAINER . . . . . V80539			04
21	MS25083-2CB8	. JUMPER ASSY . . . . .			01
22	RD19	. JUMPER CABLE ASSY . . . . . VWBLM			01
23	S3811-4N	. TIE STRAP . . . . .			04
24		. PLACARD-NOSE GEAR FILLING REFER TO 11-N-27 FIGURE 01 . . . . .			RF
25		. WHEEL & TIRE ASSY-NOSE GEAR REFER TO 32-40-00 FIGURE 02 . . . . .			RF
26		. ACTUATOR-NOSE GEAR REFER TO 32-30-01 FIGURE 04 . . . . .			RF
27	6542002-2	. ICE BOOT . . . . .			01
		ATTACHING PARTS			
28	MS3367-1-9	. STRAP . . . . .			06
29	MS3367-2-9	. STRAP . . . . .			03
		—*—			

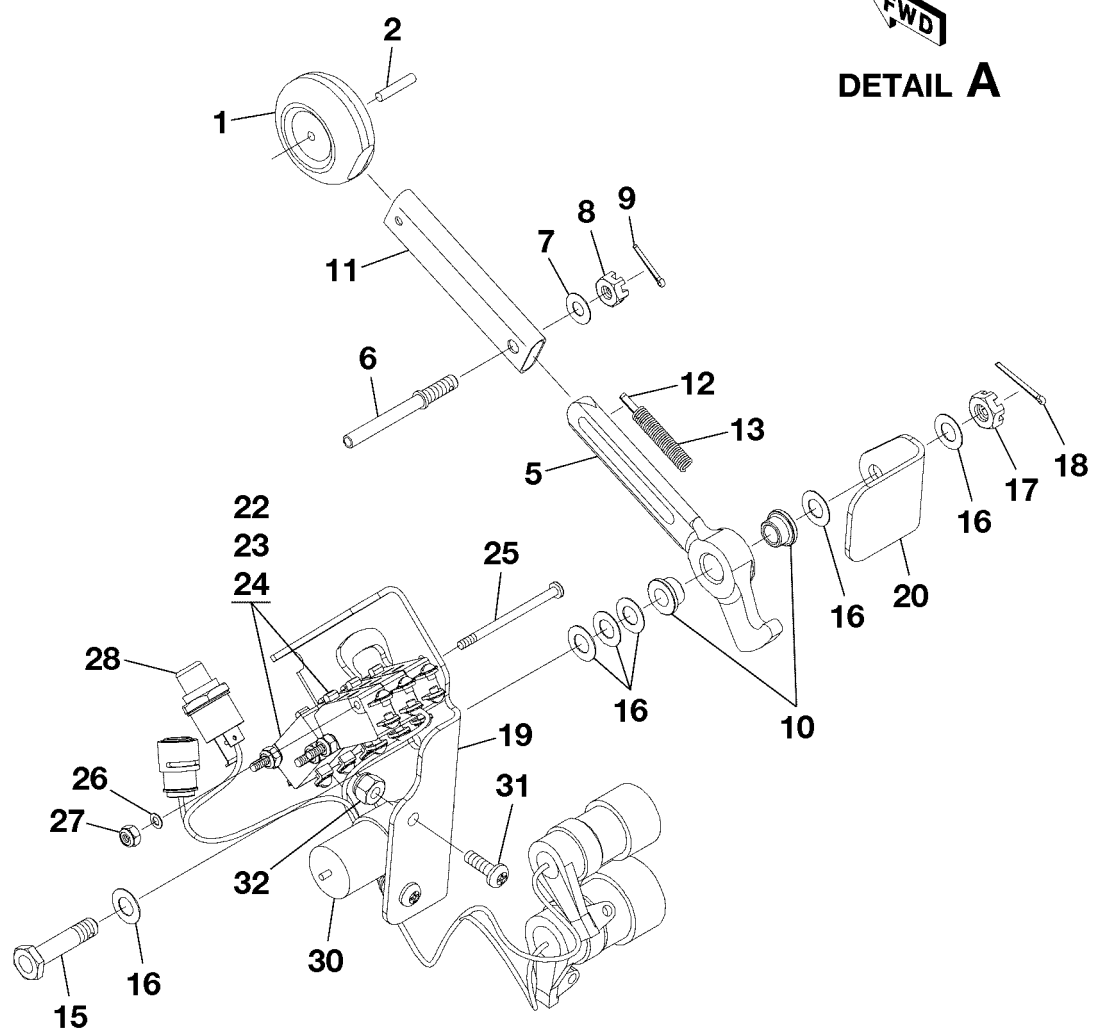
NOTE 1—REFER TO COMPONENT MAINTENANCE MANUAL FOR BREAKDOWN.

CESSNA®  
**MODEL 525 (SERIALS -0685 AND -0800 AND ON)**  
 ILLUSTRATED PARTS CATALOG

A88105



**DETAIL A**



**DETAIL B**

GEAR EXTENSION AND RETRACTION CONTROL SYSTEM  
 FIGURE 01 (SHEET 1)

6310T1168  
 A6315T1165  
 B6315T1165

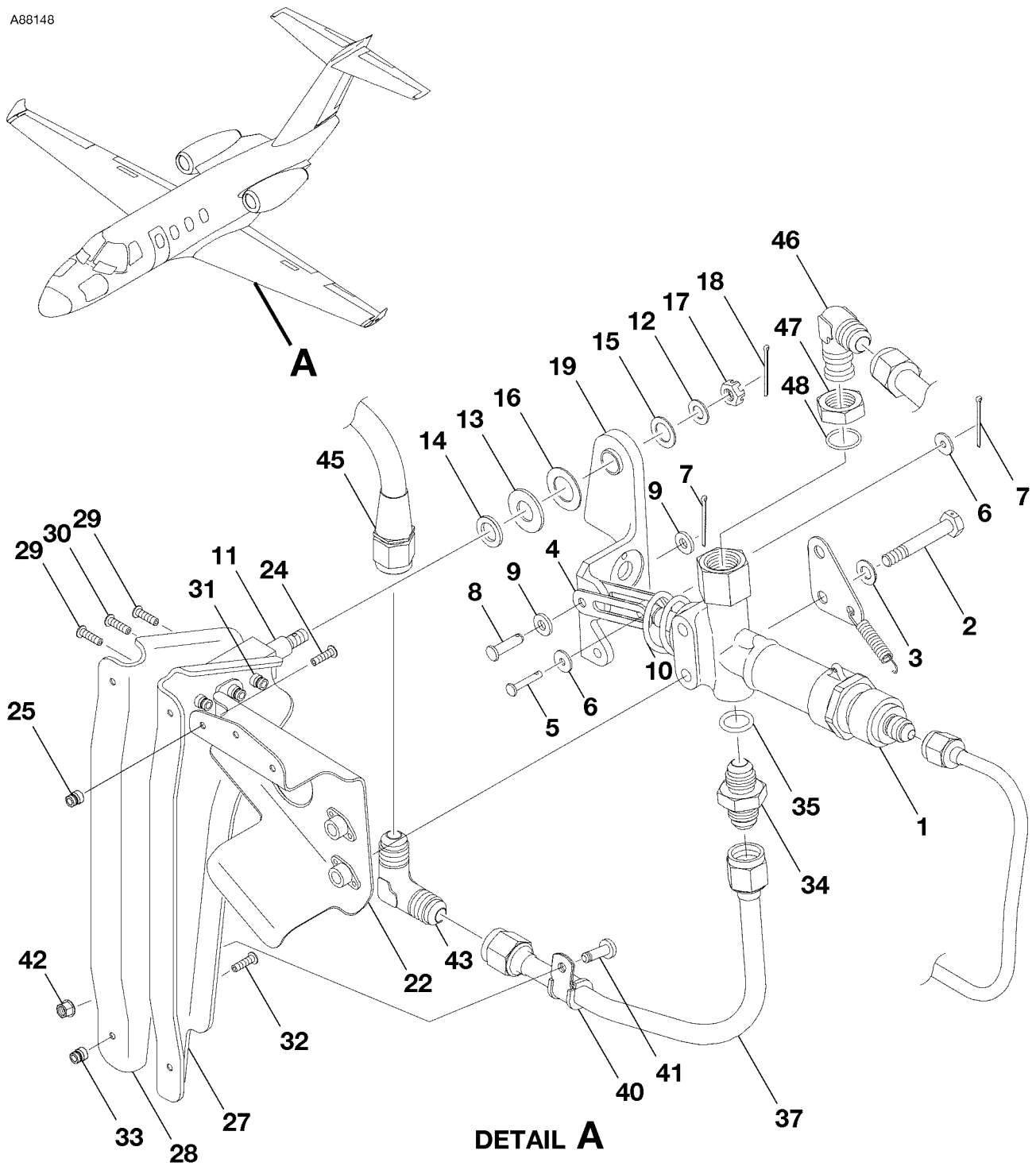
CESSNA®  
**MODEL 525 (SERIALS -0685 AND -0800 AND ON)**  
 ILLUSTRATED PARTS CATALOG

FIG ITEM	PART NUMBER	NOMENCLATURE	UNITS
			PER ASSY
01		GEAR EXTENSION AND RETRACTION CONTROL SYSTEM	RF
-			
1	1513041-4	. KNOB . . . . .	01
2	NAS561-4-10	. PIN . . . . .	01
- 3	6341015-1	. GEAR HANDLE ASSY . . . . . ATTACHING PARTS	01
4	CM3558-6-16B	. SCREW . . . . . —*—	04
5	7040005-37	. . CONTROL ARM-LANDING GEAR . . . . . ATTACHING PARTS	01
6	7040005-23	. . PIN . . . . .	01
7	NAS1149F0316P	. . WASHER . . . . .	01
8	MS17826-3	. . NUT . . . . .	01
9	MS24665-132	. . COTTER PIN . . . . . —*—	01
10	S1004-44A	. . BEARING . . . . .	02
11	7040005-7	. . SLIDER ARM . . . . .	01
12	NAS561-3-18	. . PIN . . . . .	01
13	5514175-24	. . SPRING-STOP . . . . .	01
- 14	6341015-2	. . BRACKET ASSY-ARM SUPPORT . . . . . ATTACHING PARTS	01
15	NAS6204-12D	. . BOLT . . . . .	01
16	NAS1149F0416P	. . WASHER . . . . .	06
17	MS17826-4	. . NUT . . . . .	01
18	MS24665-134	. . COTTER PIN . . . . . —*—	01
19	7040005-35	. . . SUPPORT BRACKET . . . . .	01
20	7040005-36	. . . BRACKET . . . . .	01
21	6341015-3	. . . SWITCH PANEL-LANDING GEAR . . . . .	01
22	JV91	. . ACTUATOR . . . . . V91929	02
23	JV-1	. . ACTUATOR-AUXILLARY . . . . . V91929	02
24	MS25253-1	. . SWITCH . . . . .	06
25	MS35206-326	. . SCREW . . . . .	04
26	NAS620-4L	. . WASHER . . . . .	04
27	MS21044N04	. . NUT . . . . .	04
28	C100-3	. . SWITCH . . . . . V81640	01
29	MS25082-22	. . NUT . . . . .	01
30	1580007-1	. . SOLENOID . . . . . ATTACHING PARTS	01
31	MS35206-245	. . SCREW . . . . .	02
32	MS21044N08	. . NUT . . . . . —*—	02

- ITEM NOT ILLUSTRATED

CESSNA®  
**MODEL 525 (SERIALS -0685 AND -0800 AND ON)**  
 ILLUSTRATED PARTS CATALOG

A88148



EXTENSION AND RETRACTION SYSTEM - MAIN GEAR  
 FIGURE 02 (SHEET 1)

6310T1168  
 A6317T1199

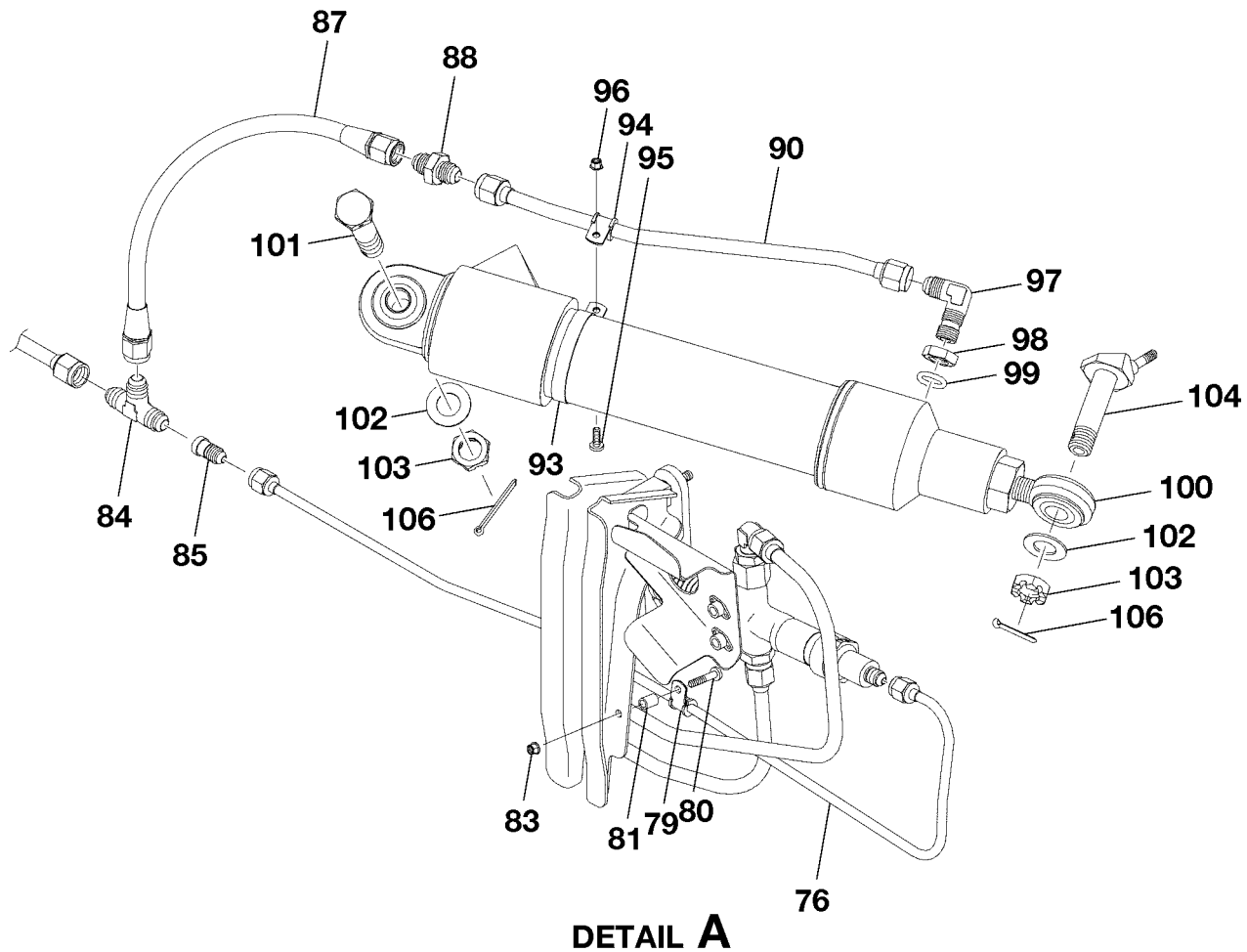
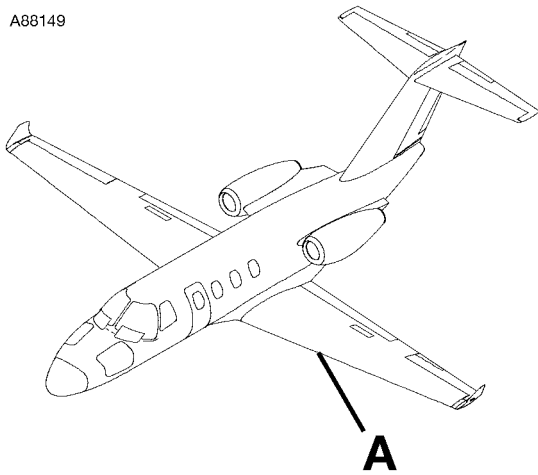
CESSNA®  
**MODEL 525 (SERIALS -0685 AND -0800 AND ON)**  
 ILLUSTRATED PARTS CATALOG

FIG ITEM	PART NUMBER	NOMENCLATURE	UNITS	
			PER	ASSY
02		EXTENSION AND RETRACTION SYSTEM - MAIN GEAR		RF
- 1	6327504-6	. ACTUATOR ASSY-UPLOCK REFER TO NOTE 1 . . . . .		02
		ATTACHING PARTS		
2	AN4H16A	. BOLT . . . . .		02
3	NAS1149D0463J	. WASHER . . . . .		02
		—*—		
4	5741206-2	. LINK . . . . .		04
		ATTACHING PARTS		
5	MS20392-1C19	. PIN . . . . .		01
6	NAS1149FN542P	. WASHER . . . . .		01
7	MS24665-136	. COTTER PIN . . . . .		01
8	AN121657	. PIN . . . . .		01
9	NAS1149F0363P	. WASHER . . . . .		01
		—*—		
10	5527401-3	. SPRING . . . . .		02
11	6327501-13	. SPINDLE . . . . .		02
12	NAS1149D0463J	. WASHER . . . . .		02
13	NAS1149F0863P	. WASHER . . . . .		02
14	NAS1149F0663P	. WASHER . . . . .		02
15	NAS1149F0632P	. WASHER . . . . .		02
16	NAS1149F0832P	. WASHER . . . . .		02
17	MS17826-4	. NUT . . . . .		01
18	MS24665-136	. COTTER PIN . . . . .		01
19	6327501-17	. UPLOCK HOOK ASSY-LH . . . . .		01
- 20	6327501-16	. UPLOCK HOOK ASSY-RH . . . . .		01
- 21	M81934/2-06C012	. BEARING . . . . .		01
22	6327501-5	. BRACKET ASSY-LH . . . . .		01
- 23	6327501-6	. BRACKET ASSY-RH . . . . .		01
		ATTACHING PARTS		
24	NAS7035-06	. PIN . . . . .		03
25	NAS1080-05	. COLLAR . . . . .		03
		—*—		
- 26	MS21069L4	. NUTPLATE . . . . .		02
27	6327501-21	. SUPPORT BRACKET . . . . .		02
28	6327501-20	. SUPPORT BRACKET . . . . .		02
		ATTACHING PARTS		
29	HL10VBJ6-13	. PIN-HI-LOK . . . . . V73197		02
30	HL10VBJ6-14	. PIN-HI-LOK . . . . . V73197		01
31	HL70-6	. COLLAR-HI-LOK . . . . . V73197		03
32	HL20PB-5-6	. PIN-HI-LOK . . . . . V73197		04
33	HL86-5	. COLLAR-HI-LOK . . . . . V73197		04
		—*—		
34	AN919-6D	. REDUCER . . . . .		02
35	M83461/2-904	. O-RING . . . . .		02
- 36	6327500-25	. TUBE ASSY-LH EXTEND . . . . .	0800 0804	01
37	6327011-17	. TUBE ASSY-LH EXTEND . . . . .	0805 & ON	01
- 38	6327500-26	. TUBE ASSY-RH EXTEND . . . . .	0800 0804	01
- 39	6327011-18	. TUBE ASSY-RH EXTEND . . . . .	0805 & ON	01
40	MS21919WDG6	. CLAMP . . . . .		02
		ATTACHING PARTS		
41	MS27039-1-09	. SCREW . . . . .		01
42	MS21042-3	. NUT . . . . .		01
		—*—		
43	AN821-6D	. ELBOW . . . . .		02
- 44	AE3663231G0114	. HOSE ASSY-EXTEND . . . . . V00624	0800 0804	02
45	S3309A0114-000F	. HOSE ASSY-EXTEND . . . . .	0805 & ON	02
46	AN921-6D	. UNION . . . . .		02
47	AN924-6D	. NUT . . . . .		02
48	M83461/2-906	. O-RING . . . . .		02

NOTE 1—REFER TO COMPONENT MAINTENANCE FOR BREAKDOWN.

CESSNA®  
MODEL 525 (SERIALS -0685 AND -0800 AND ON)  
ILLUSTRATED PARTS CATALOG

A88149



**DETAIL A**

EXTENSION AND RETRACTION SYSTEM - MAIN GEAR  
FIGURE 02 (SHEET 2)

6310T1168  
A6317T1200

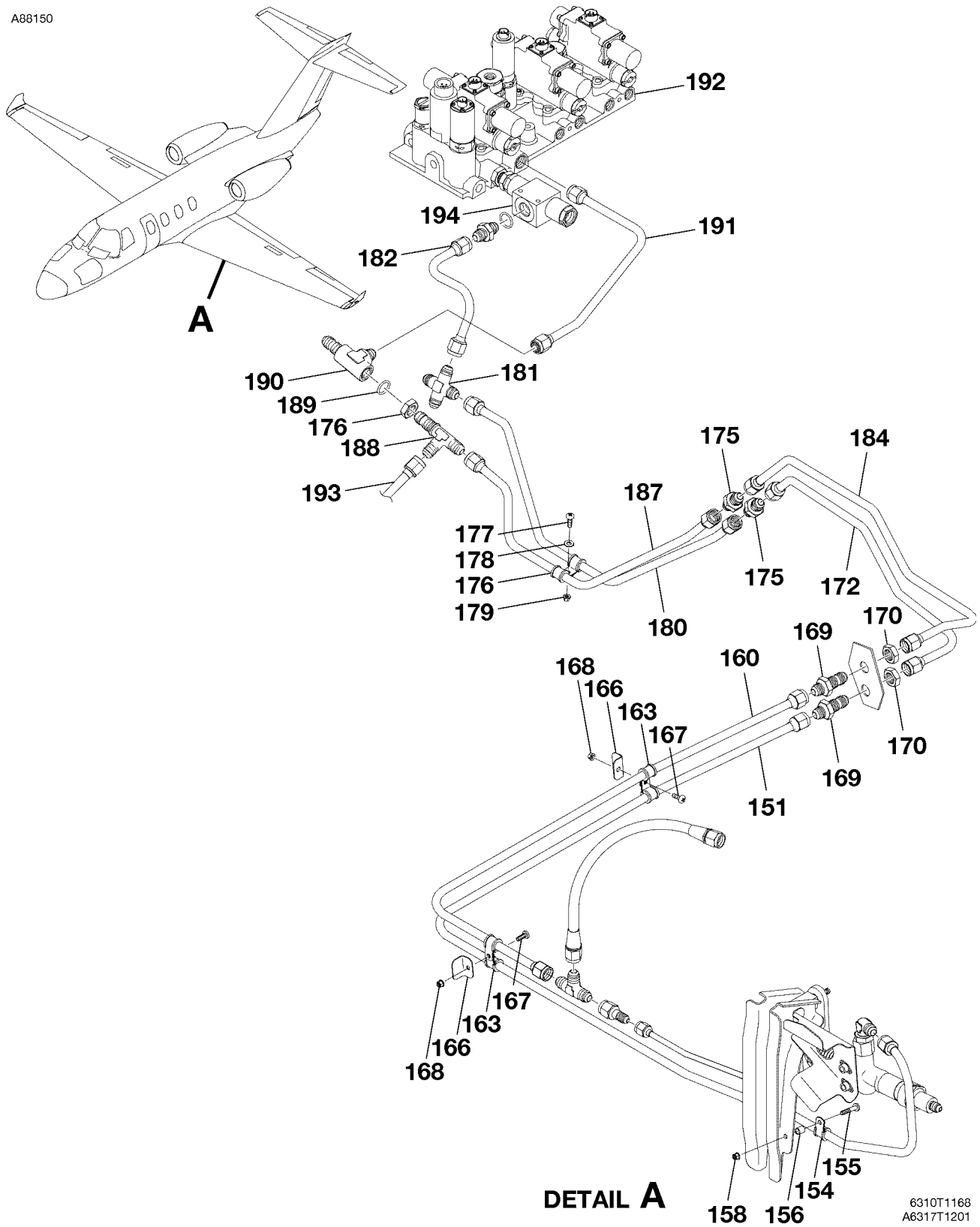
CESSNA®  
**MODEL 525 (SERIALS -0685 AND -0800 AND ON)**  
 ILLUSTRATED PARTS CATALOG

FIG ITEM	PART NUMBER	NOMENCLATURE	UNITS	
			PER	ASSY
02				
- 75	6327500-23	. TUBE ASSY-LH UPLOCK VENT . . . . .	0800	0804 01
76	6327011-15	. TUBE ASSY-LH UPLOCK VENT . . . . .	0805	& ON 01
- 77	6327500-24	. TUBE ASSY-RH UPLOCK VENT . . . . .	0800	0804 01
- 78	6327011-16	. TUBE ASSY-RH UPLOCK VENT . . . . .	0805	& ON 01
79	MS21919WDG4	. CLAMP . . . . .		02
		ATTACHING PARTS		
80	MS27039-1-18	. SCREW . . . . .		01
81	NAS43DD3-40FC	. SPACER . . . . .		01
- 82	NAS43DD3-40N	. SPACER-ALT FOR NAS43DD3-40FC . . . . .		01
83	MS21042-3	. NUT . . . . .		01
		—*—		
84	MS24402D6	. TEE . . . . .		02
85	NAS1564D6-4	. REDUCER . . . . .		02
- 86	AN818-6D	. NUT . . . . .	0805	& ON 01 R
87	AE3663231G0127	. HOSE ASSY-RETRACT . . . . .	V00624	02
88	AS5174D0606	. UNION . . . . .		02
- 89	6327500-31	. TUBE ASSY-LH RETRACT . . . . .	0800	0804 01
90	6327011-19	. TUBE ASSY-LH RETRACT . . . . .	0805	& ON 01
- 91	6327500-32	. TUBE ASSY-RH RETRACT . . . . .	0800	0804 01
- 92	6327011-20	. TUBE ASSY-RH RETRACT . . . . .	0805	& ON 01
93	AN735D36	. CLAMP . . . . .		02
94	MS21919WDG6	. CLAMP . . . . .		02
		ATTACHING PARTS		
95	MS27039-1-08	. SCREW . . . . .		01
96	MS21042-3	. NUT . . . . .		01
		—*—		
97	AN921-6D	. ELBOW . . . . .		02
98	AN924-6D	. NUT . . . . .		02
99	M83461/2-906	. O-RING . . . . .		02
100	9912397-8	. ACTUATOR ASSY-MAIN GEAR . . . . .		02
		ATTACHING PARTS		
101	S3461-46	. BOLT . . . . .		01
102	NAS1149D1063J	. WASHER . . . . .		03
103	MS17826-10	. NUT . . . . .		02
104	6341004-3	. BOLT-LH . . . . .		01
- 105	6341004-4	. BOLT-RH . . . . .		01
106	MS24665-359	. COTTER PIN . . . . .		02
		—*—		
- 107	1EN118-6	. . SWITCH-MAIN GEAR DOWN AND LOCK LH SG007 AND RH SG005 . . . . V91929		01

- ITEM NOT ILLUSTRATED

CESSNA®  
**MODEL 525 (SERIALS -0685 AND -0800 AND ON)**  
 ILLUSTRATED PARTS CATALOG

A88150



**DETAIL A**  
 EXTENSION AND RETRACTION SYSTEM - MAIN GEAR  
 FIGURE 02 (SHEET 3)

6310T1168  
 A6317T1201



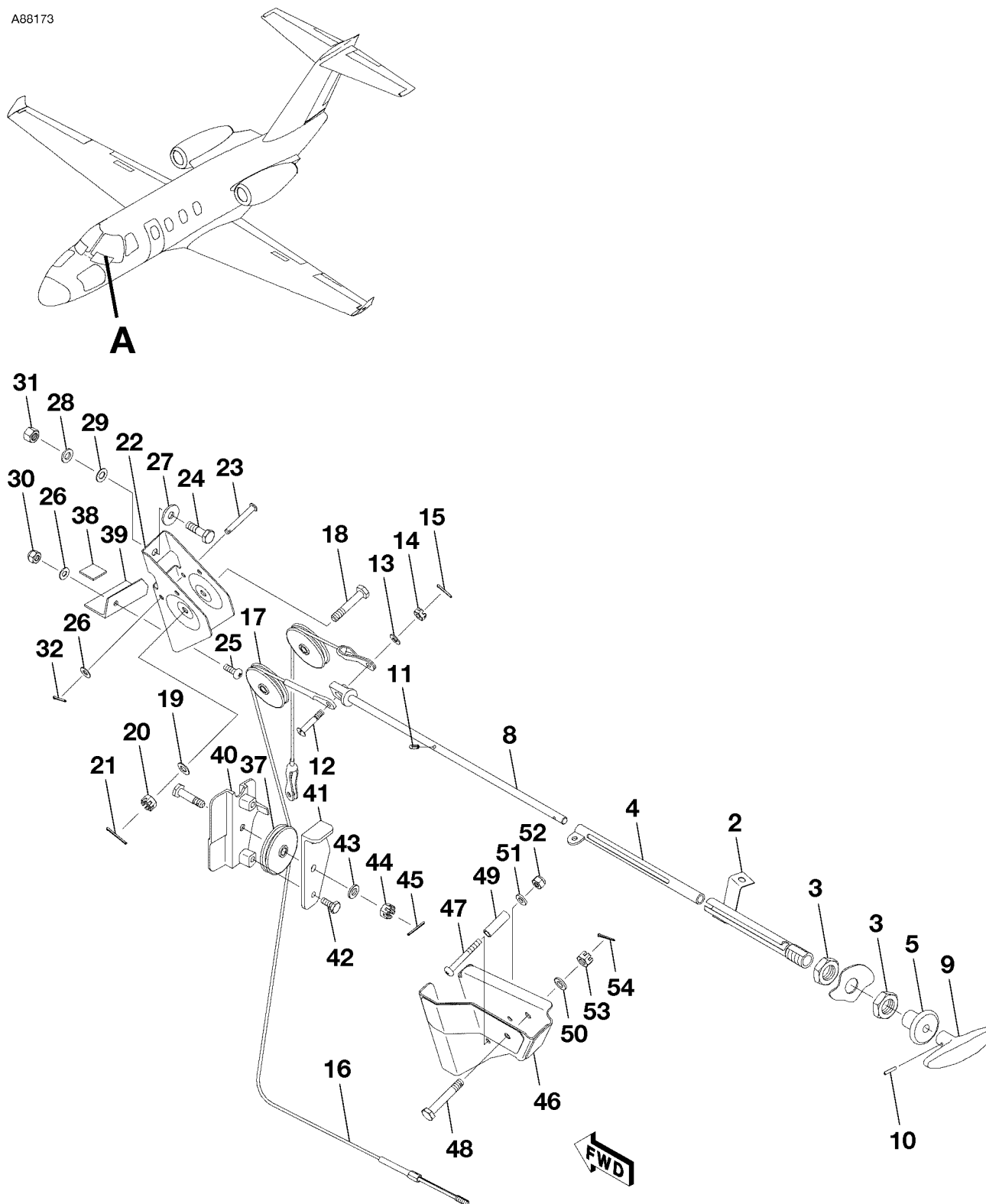
CESSNA®  
**MODEL 525 (SERIALS -0685 AND -0800 AND ON)**  
 ILLUSTRATED PARTS CATALOG

FIG ITEM	PART NUMBER	NOMENCLATURE	UNITS	
			PER	ASSY
02				
- 150	6327500-21	. TUBE ASSY-LH EXTEND . . . . .	0800	0804 01
151	6327011-55	. TUBE ASSY-LH EXTEND . . . . .	0805	& ON 01
- 152	6327500-22	. TUBE ASSY-RH EXTEND . . . . .	0800	0804 01
- 153	6327011-56	. TUBE ASSY-RH EXTEND . . . . .	0805	& ON 01
154	MS21919WDG6	. CLAMP . . . . .		02
		ATTACHING PARTS		
155	MS27039-1-16	. SCREW . . . . .		01
156	NAS43DD3-30FC	. SPACER . . . . .		01
- 157	NAS43DD3-30N	. SPACER-ALT FOR NAS43DD3-30FC . . . . .		01
158	MS21042-3	. NUT . . . . .		01
		—*—		
- 159	6327500-19	. TUBE ASSY-LH RETRACT . . . . .	0800	0804 01
160	6327011-57	. TUBE ASSY-LH RETRACT . . . . .	0805	& ON 01
- 161	6327500-20	. TUBE ASSY-RH RETRACT . . . . .	0800	0804 01
- 162	6327011-58	. TUBE ASSY-RH RETRACT . . . . .	0805	& ON 01
163	MS21919WDG6	. CLAMP . . . . .		04
		ATTACHING PARTS		
- 164	TA4091D0607	. BRACKET . . . . .	V84971 0800	0804 01
- 165	11020-2D06-07	. BRACKET-ALT FOR TA4091D0607 . . . . .	V83930	01
166	S3001-18	. BRACKET . . . . .	0805	& ON 01
167	MS27039-1-08	. SCREW . . . . .		01
168	MS21042-3	. NUT . . . . .		01
		—*—		
169	AN832-6D	. UNION . . . . .		01
170	AN924-6D	. NUT . . . . .		02
- 171	6317003-5	. TUBE ASSY-LH EXTEND . . . . .	0800	0804 01
172	6327011-51	. TUBE ASSY-LH EXTEND . . . . .	0805	& ON 01
- 173	6317003-6	. TUBE ASSY-RH EXTEND . . . . .	0800	0804 01
- 174	6327011-52	. TUBE ASSY-RH EXTEND . . . . .	0805	& ON 01
175	AS5174D0606	. UNION-LH . . . . .		02
176	MS21919WDG4	. CLAMP . . . . .		08
		ATTACHING PARTS		
177	MS27039-1-09	. SCREW . . . . .		01
178	NAS1149F0332P	. WASHER . . . . .		03
179	MS21042L3	. NUT . . . . .		01
		—*—		
180	6317003-4	. TUBE ASSY-EXTEND . . . . .		01
181	AN827-6D	. CROSS . . . . .		01
182	6317003-8	. TUBE ASSY-EXTEND . . . . .		01
- 183	6317003-10	. TUBE ASSY-LH RETRACT . . . . .	0800	0804 01
184	6327011-53	. TUBE ASSY-LH RETRACT . . . . .	0805	& ON 01
- 185	6317003-11	. TUBE ASSY-RH RETRACT . . . . .	0800	0804 01
- 186	6327011-54	. TUBE ASSY-RH RETRACT . . . . .	0805	& ON 01
187	6317003-9	. TUBE ASSY-RETRACT . . . . .		01
188	AN804D6	. TEE . . . . .		01
189	M83461/2-906	. O-RING . . . . .		03
190	AN784D6	. TEE . . . . .		01
191	6317003-3	. TUBE ASSY-RETRACT . . . . .		01
192		. MANIFOLD ASSY-HYDRAULIC REFER TO 29-10-00 FIGURE 02 . . . . .		RF
193		. NOSE GEAR HYDRAULIC SYSTEM-REFER TO 32-30-01 FIGURE 03 . . . . .		RF
194		. VALVE-SHUTTLE-REFER TO 32-30-02 FIGURE 01 . . . . .		RF

- ITEM NOT ILLUSTRATED

CESSNA®  
MODEL 525 (SERIALS -0685 AND -0800 AND ON)  
ILLUSTRATED PARTS CATALOG

A88173



**DETAIL A**

GEAR EMERGENCY CONTROL SYSTEM - FUSELAGE  
FIGURE 03 (SHEET 1)

6310T1168  
A6341T1102

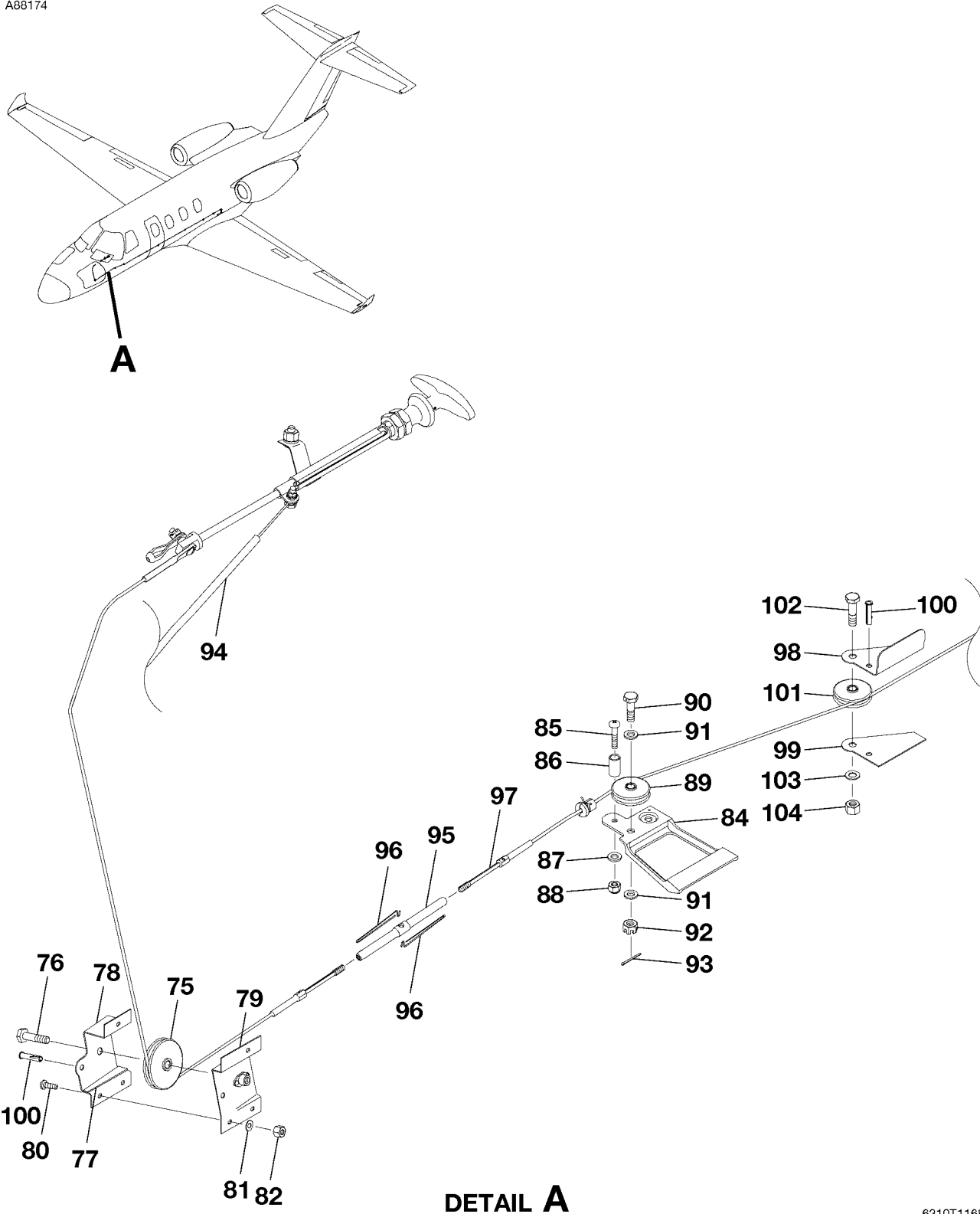
CESSNA®  
**MODEL 525 (SERIALS -0685 AND -0800 AND ON)**  
 ILLUSTRATED PARTS CATALOG

FIG ITEM	PART NUMBER	NOMENCLATURE	UNITS
			PER ASSY
		1 2 3 4 5 6 7	
03		GEAR EMERGENCY CONTROL SYSTEM - FUSELAGE	RF
-		. CONTROL ASSY-GEAR EMERGENCY EXTEND . . . . .	01
- 1	6314172-1	. SHAFT ASSY-CONTROL MOUNTING . . . . .	01
2	5514170-42	. NUT . . . . .	02
3	AN316-9R	. SHAFT ASSY-LOCK OUT . . . . .	01
4	5514170-26	. KNOB ASSY . . . . .	01
5	5514170-13	. KNOB . . . . .	01
- 6	5514170-12	. SETSCREW . . . . .	01
- 7	AN565D4L2	. CONTROL SHAFT ASSY . . . . .	01
8	6314172-2	. CONTROL HANDLE . . . . .	01
9	5514170-9	. PIN-ROLL . . . . .	01
10	NAS561-3-8	. PIN-GROOVED . . . . .	01
11	MS35675-14	. BOLT . . . . .	01
12	AN23-16	. WASHER . . . . .	01
13	NAS1149F0332P	. NUT . . . . .	01
14	MS17826-3	. COTTER PIN . . . . .	01
15	MS24665-132	. CABLE ASSY-FWD FUSELAGE . . . . .	01
16	6314172-17	. PULLEY . . . . .	02
17	MS20219-2	. ATTACHING PARTS	
		. BOLT . . . . .	01
18	AN4-13	. WASHER . . . . .	01
19	NAS1149F0432P	. NUT . . . . .	01
20	MS17825-4	. COTTER PIN . . . . .	01
21	MS24665-134	. -*-	
22	6314172-4	. BRACKET ASSY-PULLEY . . . . .	01
		. ATTACHING PARTS	
23	MS20392-2C39	. PIN . . . . .	02
24	AN4-7A	. BOLT . . . . .	01
25	MS27039-1-09	. SCREW . . . . .	01
26	NAS1149F0332P	. WASHER . . . . .	03
27	S1450-4-12-063	. WASHER . . . . .	01
28	NAS1149F0463P	. WASHER . . . . .	01
29	NAS1149F0432P	. WASHER . . . . .	01
30	MS21044N3	. NUT . . . . .	01
31	MS21044N4	. NUT . . . . .	01
32	MS24665-132	. COTTER PIN . . . . .	02
		. -*-	
- 33		. DELETED-NOT USED . . . . .	
- 34		. DELETED-NOT USED . . . . .	
- 35		. DELETED-NOT USED . . . . .	
- 36		. DELETED-NOT USED . . . . .	
- 37	MS20219-2	. PULLEY . . . . .	01
38	5511050-39	. FILLER . . . . .	01
39	6314178-4	. SUPPORT ANGLE . . . . .	01
40	6314172-11	. BRACKET ASSY-MID PULLEY . . . . .	01
41	6314172-13	. COVER ASSY-MID PULLEY . . . . .	01
		. ATTACHING PARTS	
42	AN3H4A	. BOLT . . . . .	02
43	NAS1149F0463P	. WASHER . . . . .	02
44	MS17825-4	. NUT . . . . .	02
45	MS24665-134	. COTTER PIN . . . . .	02
		. -*-	
46	6314172-8	. BRACKET ASSY . . . . .	01
		. ATTACHING PARTS	
47	MS27039-1-25	. SCREW . . . . .	01
48	AN4-15	. BOLT . . . . .	01
49	NAS43DD3-64FC	. SPACER . . . . .	01
50	NAS1149F0463P	. WASHER . . . . .	01
51	NAS1149F0363P	. WASHER . . . . .	01
52	MS21044N3	. NUT . . . . .	01
53	MS17825-4	. NUT . . . . .	01
54	MS24665-134	. COTTER PIN . . . . .	01
		. -*-	

- ITEM NOT ILLUSTRATED

CESSNA®  
**MODEL 525 (SERIALS -0685 AND -0800 AND ON)**  
 ILLUSTRATED PARTS CATALOG

A88174



**DETAIL A**

GEAR EMERGENCY CONTROL SYSTEM - FUSELAGE  
 FIGURE 03 (SHEET 2)

6310T1168  
 A6341T1103

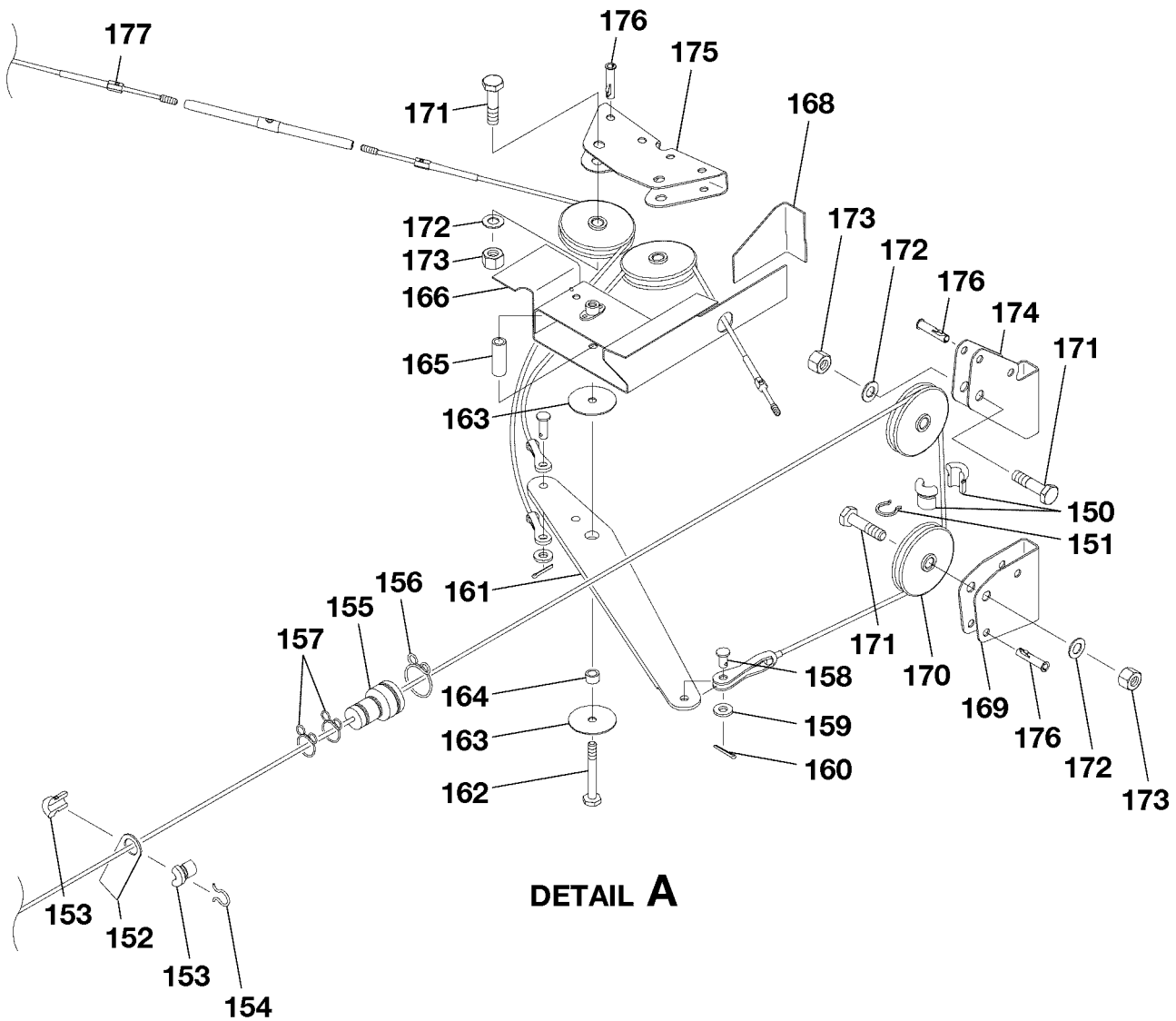
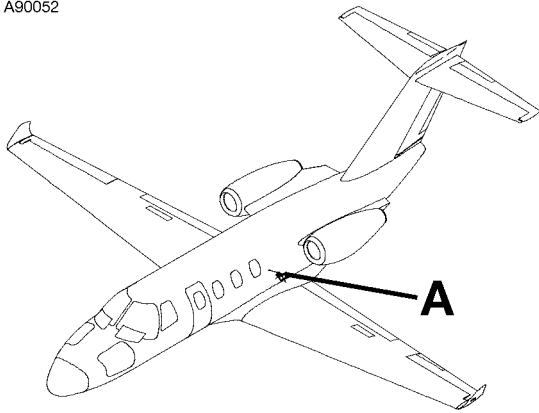
CESSNA®  
**MODEL 525 (SERIALS -0685 AND -0800 AND ON)**  
 ILLUSTRATED PARTS CATALOG

FIG ITEM	PART NUMBER	NOMENCLATURE	UNITS
			PER ASSY
		1 2 3 4 5 6 7	
03			
75	MS20219-2	. PULLEY . . . . .	01
		. ATTACHING PARTS . . . . .	
76	AN4-10A	. BOLT . . . . .	01
		—*—	
77	6314160-80	. RUB STRIP . . . . .	01
78	6314160-28	. PULLEY BRACKET . . . . .	01
79	6314160-29	. PULLEY BRACKET ASSY . . . . .	01
		. ATTACHING PARTS . . . . .	
80	MS27039-0808	. SCREW . . . . .	03
81	NAS1149FN816P	. WASHER . . . . .	03
82	MS21044N08	. NUT . . . . .	03
		—*—	
- 83	MS21069L4	. . . NUTPLATE . . . . .	01
84	6314178-1	. SUPPORT-PULLEY . . . . .	01
		. ATTACHING PARTS . . . . .	
85	MS27039-1-15	. SCREW . . . . .	01
86	NAS43DD3-32N	. SPACER . . . . .	01
87	NAS1149F0332P	. WASHER . . . . .	01
88	MS21044N3	. NUT . . . . .	01
		—*—	
89	MS20219-1	. PULLEY . . . . .	01
		. ATTACHING PARTS . . . . .	
90	AN4-10	. BOLT . . . . .	01
91	NAS1149F0463P	. WASHER . . . . .	02
92	MS17825-4	. NUT . . . . .	01
93	MS24665-134	. COTTER PIN . . . . .	01
		—*—	
94		. GEAR EMERGENCY CONTROL SYSTEM-PNEUMATIC REFER TO 32-30-00 FIGURE 06 . . . . .	RF
95	MS21251-B3L	. TURNBUCKLE BODY . . . . .	01
96	MS21256-2	. CLIP . . . . .	02
97	6314160-68	. CABLE ASSY-EXTEND . . . . .	01
98	6314178-6	. PULLEY BRACKET . . . . .	01
99	6314160-26	. PULLEY BRACKET . . . . .	01
100	NAS427K9	. PIN-GUARD . . . . .	02
101	MS20219-1	. PULLEY . . . . .	01
		. ATTACHING PARTS . . . . .	
102	AN4-10A	. BOLT . . . . .	01
103	NAS1149F0432P	. WASHER . . . . .	01
104	MS21044N4	. NUT . . . . .	01
		—*—	

- ITEM NOT ILLUSTRATED

CESSNA®  
**MODEL 525 (SERIALS -0685 AND -0800 AND ON)**  
 ILLUSTRATED PARTS CATALOG

A90052



**DETAIL A**

GEAR EMERGENCY CONTROL SYSTEM - FUSELAGE  
 FIGURE 03 (SHEET 3)

6310T1168  
 A6341T1105

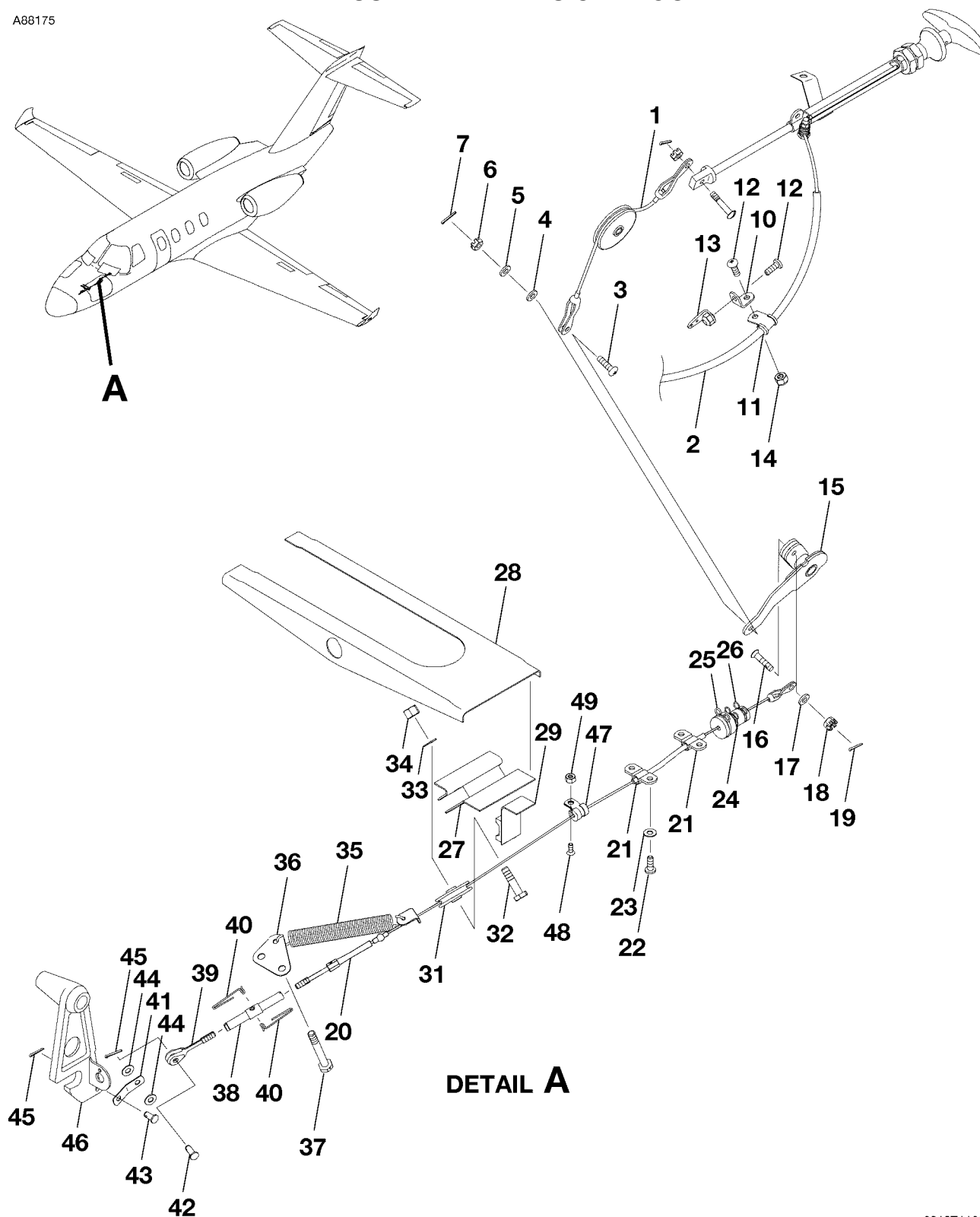
CESSNA®  
**MODEL 525 (SERIALS -0685 AND -0800 AND ON)**  
 ILLUSTRATED PARTS CATALOG

FIG ITEM	PART NUMBER	NOMENCLATURE	UNITS
			PER ASSY
03			
150	S338-3	. FAIRLEAD HALF . . . . .	06
151	S339-3	. CLIP . . . . .	03
152	6314160-44	. CLIP . . . . .	03
153	S338-1	. FAIRLEAD HALF . . . . .	06
154	S339-1	. CLIP . . . . .	03
155	S11K-3A	. SEAL-CABLE . . . . . V60980	01
156	S11L-174C	. RING-SPRING . . . . . V60980	01
157	S11L-131C	. RING-SPRING . . . . . V60980	02
158	MS20392-2C7	. PIN . . . . .	01
159	NAS1149F0363P	. WASHER . . . . .	01
160	MS24665-132	. COTTER PIN . . . . .	01
161	6314160-61	. LEVER . . . . .	01
		ATTACHING PARTS	
162	AN3-14A	. BOLT . . . . .	01
163	6514160-78	. WASHER . . . . .	02
164	NAS43HT3-12	. SPACER . . . . .	01
165	NAS43HT3-56	. SPACER . . . . .	01
		—*—	
166	6314160-85	. SUPPORT ASSY . . . . .	01
167	MS21069L3	. . NUTPLATE . . . . .	01
168	6314160-31	. CLIP . . . . .	01
169	6314160-79	. PULLEY BRACKET . . . . .	01
170	MS20219-2	. PULLEY . . . . .	04
		ATTACHING PARTS	
171	AN4-10A	. BOLT . . . . .	01
172	NAS1149F0432P	. WASHER . . . . .	01
173	MS21044N4	. NUT . . . . .	01
		—*—	
174	6314160-24	. PULLEY BRACKET . . . . .	01
175	6314160-23	. PULLEY BRACKET . . . . .	01
176	NAS427K9	. PIN . . . . .	08
177		. GEAR EMERGENCY CONTROL SYSTEM-WING REFER TO 32-30-00 FIGURE 05. . . . .	RF

- ITEM NOT ILLUSTRATED

CESSNA®  
**MODEL 525 (SERIALS -0685 AND -0800 AND ON)**  
 ILLUSTRATED PARTS CATALOG

A88175



GEAR EMERGENCY CONTROL SYSTEM - NOSE  
 FIGURE 04 (SHEET 1)

6310T1168  
 A6342T1061



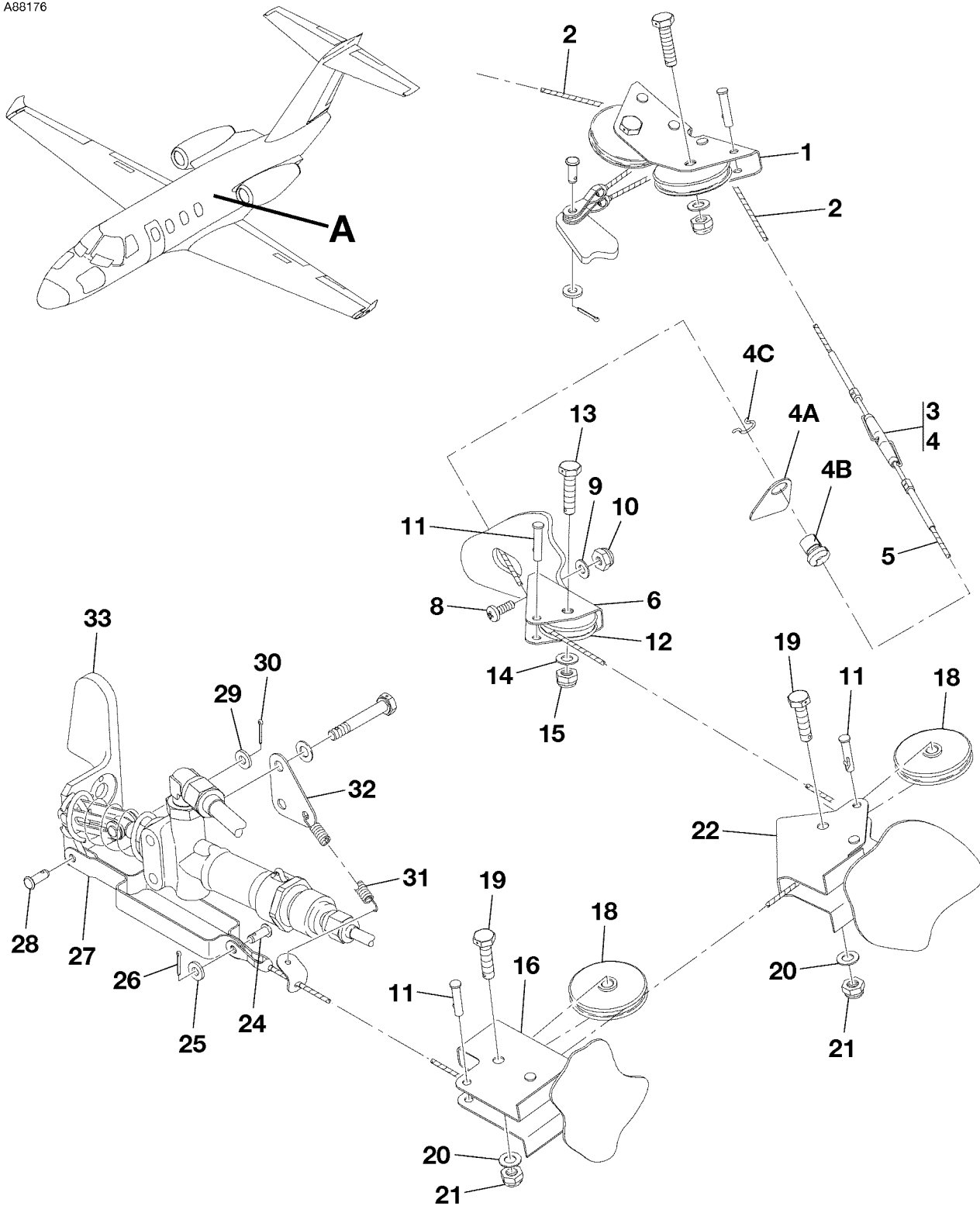
CESSNA®  
**MODEL 525 (SERIALS -0685 AND -0800 AND ON)**  
 ILLUSTRATED PARTS CATALOG

FIG ITEM	PART NUMBER	NOMENCLATURE	UNITS
			PER ASSY
		1 2 3 4 5 6 7	
04		GEAR EMERGENCY CONTROL SYSTEM - NOSE	RF
-		. CABLE ASSY-FWD FUSELAGE REFER TO 32-30-00 FIGURE 03 . . . . .	RF
1		. CABLE ASSY . . . . .	01
2	6514160-125	. ATTACHING PARTS	
3	NAS333CP6	. BOLT . . . . .	01
4	NAS1149F0316P	. WASHER . . . . .	01
5	NAS1149F0363P	. WASHER . . . . .	01
6	MS17825-3	. NUT . . . . .	01
7	MS24665-132	. COTTER PIN . . . . .	01
		—*—	
- 8	6514160-118	. BRACKET . . . . .	NP
- 9	5514160-42	. TUBE-CABLE GUARD . . . . .	NP
10	AN743-12	. BRACKET . . . . .	01
11	MS21919WDG3	. CLAMP . . . . .	01
		. ATTACHING PARTS	
12	MS27039-1-08	. SCREW . . . . .	02
13	AN256-10	. NUTPLATE . . . . .	01
14	MS21044N3	. NUT . . . . .	01
		—*—	
15	6314172-5	. CRANK ASSY . . . . .	01
		. ATTACHING PARTS	
16	AN23-9	. BOLT . . . . .	01
17	NAS1149F0363P	. WASHER . . . . .	01
18	MS17826-3	. NUT . . . . .	01
19	MS24665-132	. COTTER PIN . . . . .	01
		—*—	
20	6314172-16	. CABLE ASSY-NLG RELEASE . . . . .	01
21	TA01C30D04	. CLAMP-SADDLE . . . . . V84971	02
		. ATTACHING PARTS	
22	MS27039-1-08	. SCREW . . . . .	02
23	NAS1149F0332P	. WASHER . . . . .	04
		—*—	
24	S11K-3A	. SEAL-CABLE . . . . . V60980	01
25	S11L-174C	. RING-SPRING . . . . . V60980	01
26	S11L-131C	. RING-SPRING . . . . . V60980	02
27	6514160-121	. BRACKET . . . . .	01
28	6514160-122	. SUPPORT BRACKET . . . . .	01
29	6238377-21	. CLIP ASSY-FSO S3528-15A . . . . .	NP
- 30	S3528-15A	. ANCHOR ASSY-FOR SPARES ONLY . . . . .	02
31	MS20219-1	. PULLEY . . . . .	01
		. ATTACHING PARTS	
32	AN4-10A	. BOLT . . . . .	01
33	NAS1149F0432P	. WASHER . . . . .	01
34	MS21044N4	. NUT . . . . .	01
		—*—	
35	5514160-10	. SPRING . . . . .	01
36	6314160-21	. PLATE . . . . .	01
		. ATTACHING PARTS	
37	AN4H16A	. BOLT . . . . .	02
		—*—	
38	MS21251-B3S	. TURNBUCKLE BODY CLIP . . . . .	01
39	MS21252C3LS	. CLEVIS END TURNBUCKLE . . . . .	01
40	MS21256-1	. CLIP-LOCKING . . . . .	02
41	5514160-24	. TERMINAL STRAP . . . . .	01
42	MS20392-2C11	. PIN . . . . .	01
43	MS20392-2C9	. PIN-FWD . . . . .	01
44	NAS1149D0332K	. WASHER . . . . .	02
45	MS24665-132	. COTTER PIN . . . . .	02
46		. ACTUATOR ASSY-NOSE GEAR UPLOCK REFER TO 32-30-01 FIGURE 04 . . . . .	RF
47	TA713SC02TF	. CLAMP . . . . .	01
		. ATTACHING PARTS	
48	MS24693-S26	. SCREW . . . . .	01
49	MS21044N06	. NUT . . . . .	01
		—*—	

- ITEM NOT ILLUSTRATED

CESSNA®  
**MODEL 525 (SERIALS -0685 AND -0800 AND ON)**  
 ILLUSTRATED PARTS CATALOG

A88176



**DETAIL A**

GEAR EMERGENCY CONTROL SYSTEM - WING  
 FIGURE 05 (SHEET 1)

6310T1168  
 A6315T1006

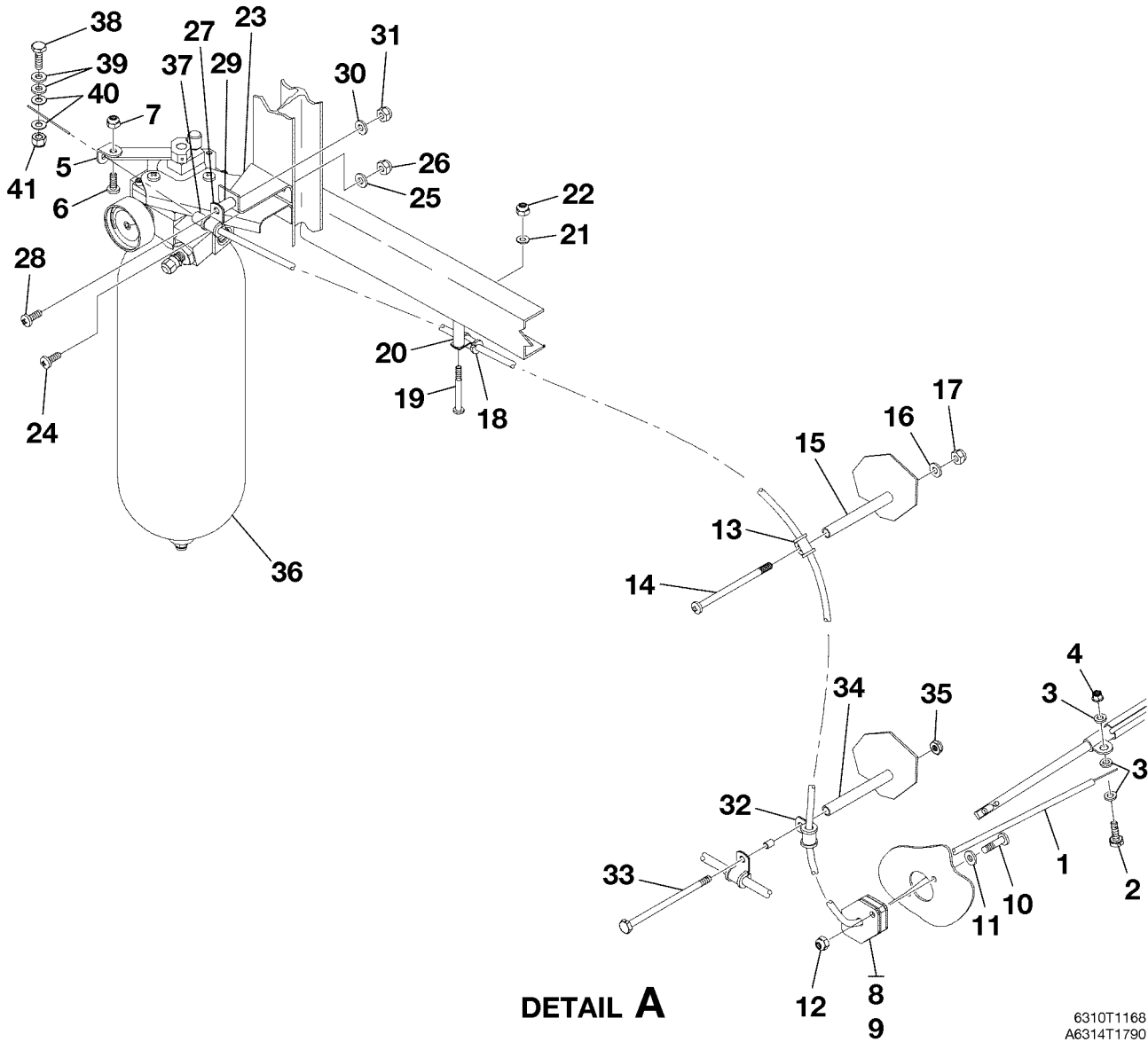
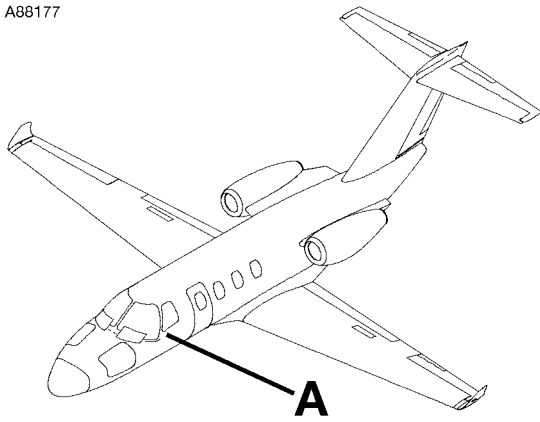
CESSNA®  
**MODEL 525 (SERIALS -0685 AND -0800 AND ON)**  
 ILLUSTRATED PARTS CATALOG

FIG ITEM	PART NUMBER	NOMENCLATURE	UNITS
			PER ASSY
		1 2 3 4 5 6 7	
05		GEAR EMERGENCY CONTROL SYSTEM - WING	RF
-		. BRACKET AND PULLEY-REFER TO FIGURE 32-30-00 FIGURE 03 . . . . .	RF
1		. CABLE ASSY-EXTEND . . . . .	02
2	6314160-50	. TURNBUCKLE . . . . .	02
3	MS21251B2L	. CLIP . . . . .	04
4	MS21256-2	. CLIP . . . . .	02
4A	6314170-4	. FAIRLEAD HALF . . . . .	04
4B	S338-1	. CLIP . . . . .	02
4C	S339-1	. CABLE ASSY-EXTEND . . . . .	02
5	6314160-51	. PULLEY BRACKET-LH . . . . .	01
6	6314160-17	. PULLEY BRACKET-RH . . . . .	01
- 7	6314160-18	. ATTACHING PARTS	
8	MS27039-1-08	. SCREW . . . . .	02
9	NAS1149F0332P	. WASHER . . . . .	02
10	MS21044N3	. NUT . . . . .	02
		—*—	
11	NAS427K9	. PIN-GUARD . . . . .	10
12	MS20219-1	. PULLEY . . . . .	02
		. ATTACHING PARTS	
13	AN4-10A	. BOLT . . . . .	01
14	NAS1149F0432P	. WASHER . . . . .	01
15	MS21044N4	. NUT . . . . .	01
		—*—	
16	6314160-13	. PULLEY BRACKET-LH . . . . .	01
- 17	6314160-14	. PULLEY BRACKET-RH . . . . .	01
18	MS20219-2	. PULLEY . . . . .	04
		. ATTACHING PARTS	
19	AN4-10A	. BOLT . . . . .	01
20	NAS1149F0432P	. WASHER . . . . .	01
21	MS21044N4	. NUT . . . . .	01
		—*—	
22	6314160-15	. PULLEY BRACKET-LH . . . . .	01
- 23	6314160-16	. PULLEY BRACKET-RH . . . . .	01
24	MS20392-2C11	. PIN . . . . .	02
25	NAS1149F0363P	. WASHER . . . . .	01
26	MS24665-132	. COTTER PIN . . . . .	02
27	6314160-20	. CLEVIS STRAP ASSY . . . . .	02
		. ATTACHING PARTS	
28	MS20392-2C13	. PIN . . . . .	01
29	NAS1149F0363P	. WASHER . . . . .	01
30	MS24665-132	. COTTER PIN . . . . .	01
		—*—	
31	MS24586C106	. SPRING . . . . .	02
32	6314170-5	. PLATE . . . . .	02
33		. ACTUATOR-UPLOCK-REFER TO 32-30-00 FIGURE 02 . . . . .	RF

- ITEM NOT ILLUSTRATED

CESSNA®  
MODEL 525 (SERIALS -0685 AND -0800 AND ON)  
ILLUSTRATED PARTS CATALOG

A88177



**DETAIL A**

GEAR EMERGENCY CONTROL SYSTEM - PNEUMATIC  
FIGURE 06 (SHEET 1)

6310T1168  
A6314T1790

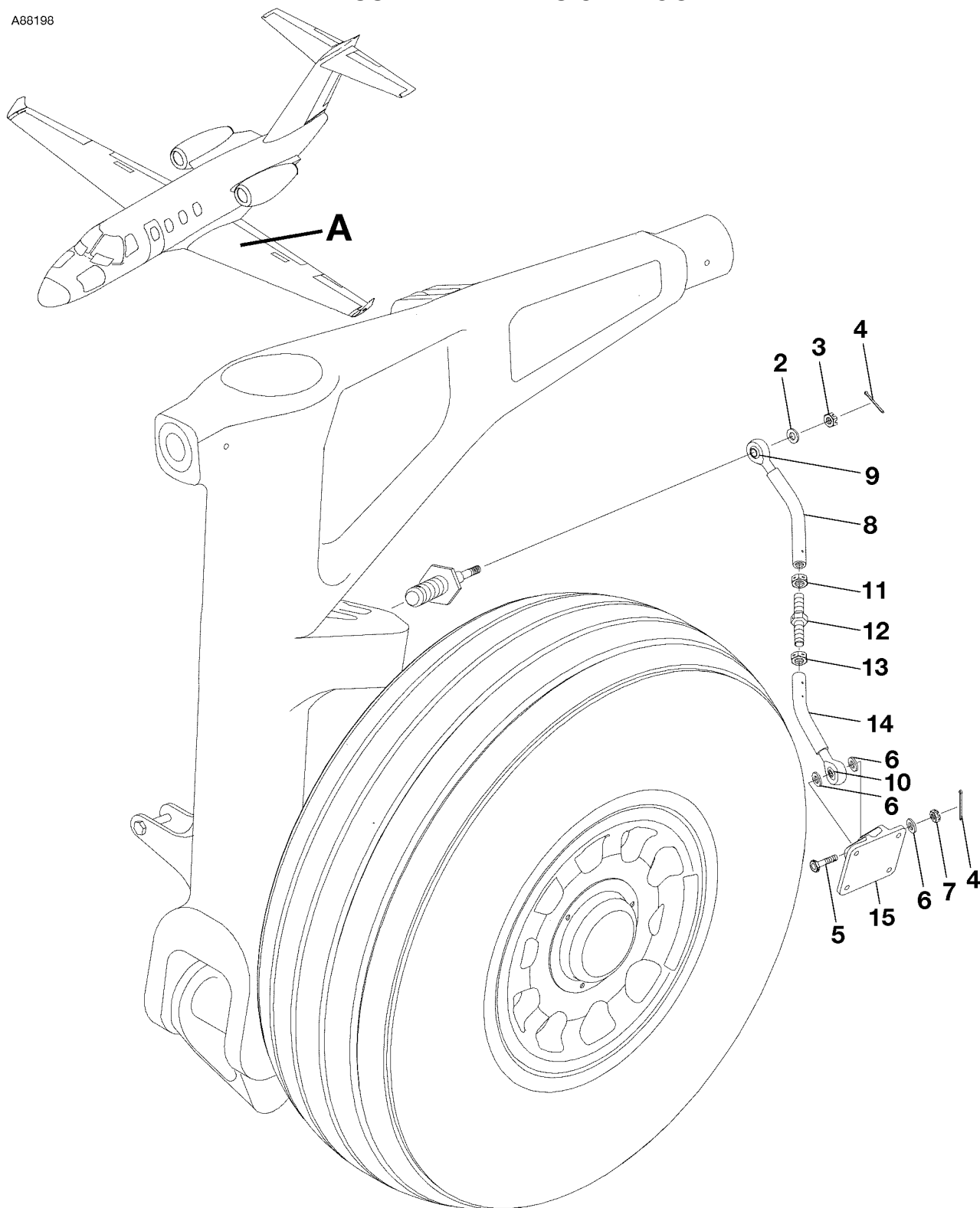
CESSNA®  
**MODEL 525 (SERIALS -0685 AND -0800 AND ON)**  
 ILLUSTRATED PARTS CATALOG

FIG ITEM	PART NUMBER	NOMENCLATURE	UNITS
			PER ASSY
06		GEAR EMERGENCY CONTROL SYSTEM - PNEUMATIC	RF
-		. CONTROL ASSY-CONTROL EMERGENCY BLOWDOWN . . . . . V04710	01
1	15-0191-10	. CLAMP . . . . .	01
2	S2323-7	. ATTACHING PARTS	
3	NAS1149F0363P	. WASHER . . . . .	03
4	MS21044N3	. NUT . . . . .	01
		—*—	
5	6314170-8	. BRACKET . . . . .	01
		. ATTACHING PARTS	
6	MS27039-1-08	. SCREW . . . . .	01
7	MS21042L3	. NUT . . . . .	01
		—*—	
8	6592271-12	. SEAL . . . . .	01
9	6592271-13	. PLATE . . . . .	02
		. ATTACHING PARTS	
10	MS27039-1-12	. SCREW . . . . .	02
11	NAS1149F0363P	. WASHER . . . . .	02
12	MS21044N3	. NUT . . . . .	02
		—*—	
13	MS21919WDG3	. CLAMP . . . . .	01
		. ATTACHING PARTS	
14	MS27039-1-48	. SCREW . . . . .	01
15	NAS43DD3-167FC	. SPACER . . . . .	01
16	NAS1149F0363P	. WASHER . . . . .	01
17	MS21044N3	. NUT . . . . .	01
		—*—	
18	MS21919WDG3	. CLAMP . . . . .	01
		. ATTACHING PARTS	
19	MS27039-0824	. SCREW . . . . .	01
20	NAS43DD3-72FC	. SPACER . . . . .	01
21	NAS1149FN832P	. WASHER . . . . .	01
22	MS21044N08	. NUT . . . . .	01
		—*—	
23	5514161-68	. BRACKET . . . . .	01
		. ATTACHING PARTS	
24	MS27039-1-08	. SCREW . . . . .	02
25	NAS1149F0332P	. WASHER . . . . .	02
26	MS21044N3	. NUT . . . . .	02
		—*—	
27	MS21919WDG3	. CLAMP . . . . .	01
		. ATTACHING PARTS	
28	MS27039-1-18	. SCREW . . . . .	01
29	NAS43DD3-37FC	. SPACER . . . . .	01
30	NAS1149F0363P	. WASHER . . . . .	01
31	MS21044N3	. NUT . . . . .	01
		—*—	
32	MS21919WDG4	. CLAMP . . . . .	01
		. ATTACHING PARTS	
33	AN3-33A	. BOLT . . . . .	01
34	NAS43DD3-167FC	. SPACER . . . . .	01
35	MS21083N3	. NUT . . . . .	01
		—*—	
36		. BOTTLE AND VALVE-EMERGENCY REFER TO 32-30-02 FIGURE 01 . . . . .	RF
37	23-3107-01	. SEAL . . . . . V04710	01
38	S2323-7	. CLAMP . . . . .	01
		. ATTACHING PARTS	
39	NAS1149F0363P	. WASHER . . . . .	02
40	NAS1149F0332P	. WASHER . . . . .	02
41	MS21044N3	. NUT . . . . .	01
		—*—	

- ITEM NOT ILLUSTRATED

CESSNA®  
MODEL 525 (SERIALS -0685 AND -0800 AND ON)  
ILLUSTRATED PARTS CATALOG

A88198



**DETAIL A**

MAIN GEAR DOOR EXTENSION AND RETRACTION SYSTEM  
FIGURE 01 (SHEET 1)

6310T1168  
A6341T1104

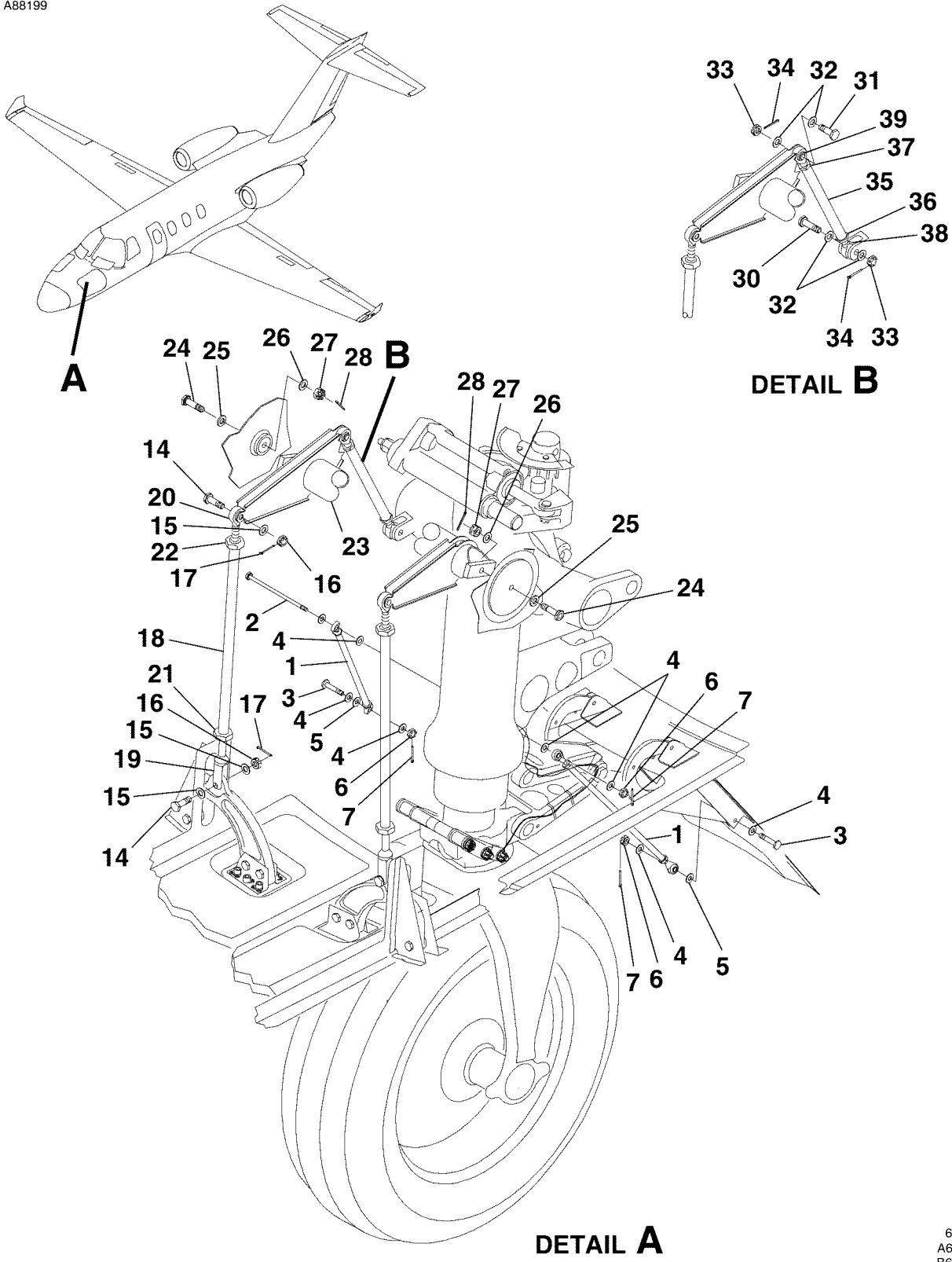
CESSNA®  
**MODEL 525 (SERIALS -0685 AND -0800 AND ON)**  
 ILLUSTRATED PARTS CATALOG

FIG ITEM	PART NUMBER	NOMENCLATURE	UNITS
			PER ASSY
01		MAIN GEAR DOOR EXTENSION AND RETRACTION SYSTEM	RF
-			
- 1	6341014-1	. PUSHROD ASSY-LH AND RH . . . . .	02
		ATTACHING PARTS	
2	NAS1149D0463J	. WASHER . . . . .	01
3	AN320-4	. NUT . . . . .	01
4	MS24665-136	. COTTER PIN . . . . .	02
5	NAS6203-14D	. BOLT . . . . .	01
6	NAS1149D0363J	. WASHER . . . . .	03
7	AN320-3	. NUT . . . . .	01
		—*—	
8	6341014-3	. . TUBE . . . . .	01
9	M81935/1-04	. . BEARING . . . . .	01 R
10	M81935/1-03	. . BEARING . . . . .	01 R
11	NAS509-5	. . NUT . . . . .	01
12	6341006-16	. . STUD . . . . .	01
13	NAS509L5	. . NUT . . . . .	01
14	6341014-2	. . TUBE . . . . .	01
15		. DOOR ASSY-MAIN GEAR REFER TO 52-80-00 FIGURE 01 . . . . .	RF

- ITEM NOT ILLUSTRATED

CESSNA®  
**MODEL 525 (SERIALS -0685 AND -0800 AND ON)**  
 ILLUSTRATED PARTS CATALOG

A88199



**DETAIL A**  
 NOSE GEAR DOOR EXTENSION AND RETRACTION SYSTEM  
 FIGURE 02 (SHEET 1)

6310T1168  
 A6342T1059  
 B6342T1059



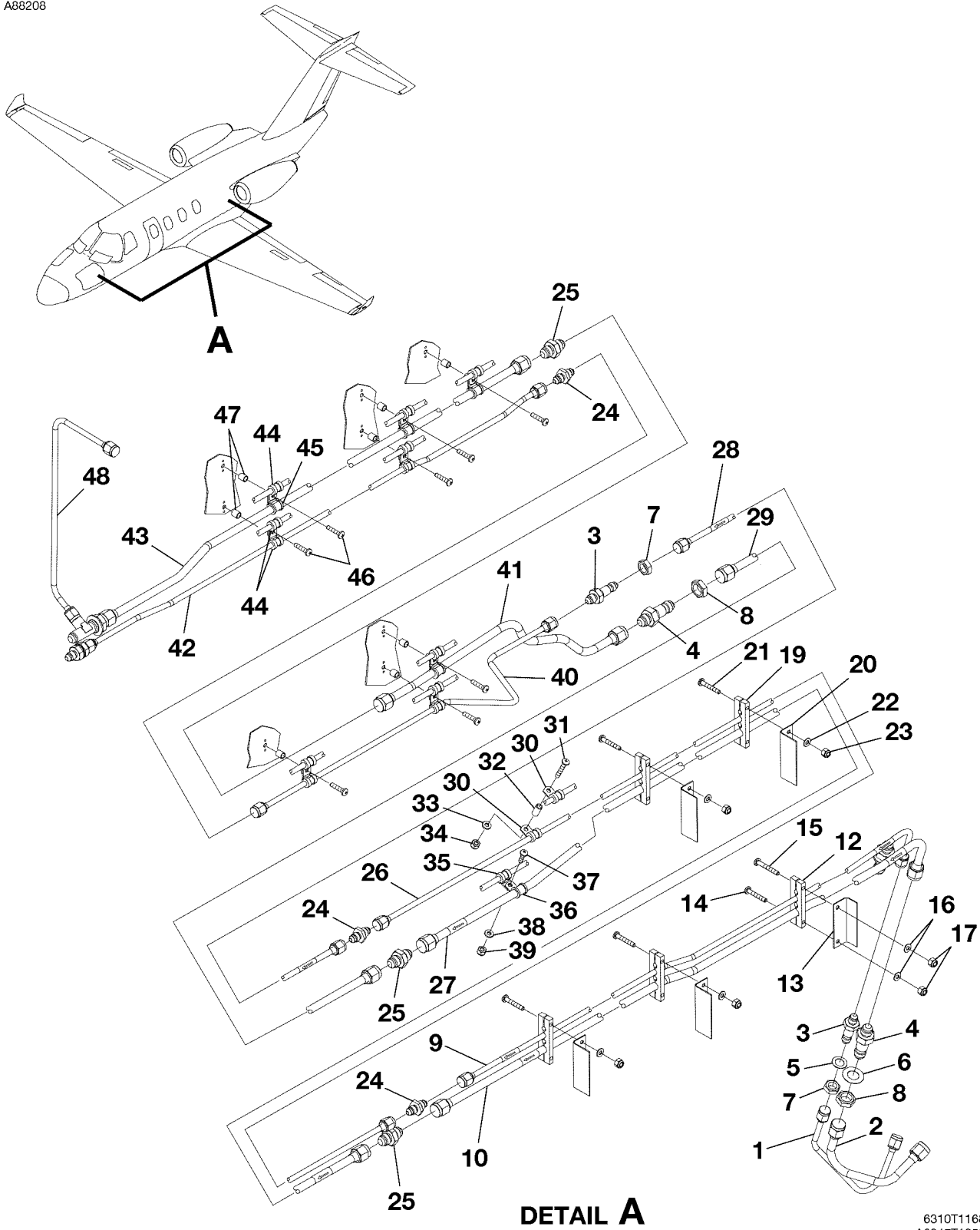
CESSNA®  
**MODEL 525 (SERIALS -0685 AND -0800 AND ON)**  
 ILLUSTRATED PARTS CATALOG

FIG ITEM	PART NUMBER	NOMENCLATURE	UNITS	
			PER	ASSY
02		NOSE GEAR DOOR EXTENSION AND RETRACTION SYSTEM		RF
- 1	5542213-22	. TUBE ASSY-SPADE DOOR NOSE GEAR . . . . .		02
		ATTACHING PARTS		
2	NAS464P3-52	. BOLT-ROD ASSY TO NOSE GEAR STRUT . . . . .		01
3	NAS464P3-11	. BOLT-ROD ASSY TO NOSE GEAR SPADE DOOR . . . . .		02
4	NAS1149F0332P	. WASHER . . . . .		08
5	NAS1149F0363P	. WASHER . . . . .		02
6	AN320-3	. NUT . . . . .		03
7	MS24665-134	. COTTER PIN . . . . .		03
		—*—		
- 8	5542213-23	. . TUBE . . . . .		01
- 9	MS35650-302B	. . NUT . . . . .		01
- 10	NAS509L3	. . NUT . . . . .		01
- 11	S3212-3	. . BEARING . . . . .		01
- 12	S1105-3L	. . BEARING . . . . .		01
- 13	5542213-20	. TUBE ASSY . . . . .		02
		ATTACHING PARTS		
14	NAS464P4-8	. BOLT . . . . .		02
15	NAS1149F0432P	. WASHER . . . . .		02
16	AN320-4	. NUT . . . . .		02
17	MS24665-134	. COTTER PIN . . . . .		02
		—*—		
18	5542213-21	. . TUBE . . . . .		01
19	5542213-11	. . FORK ROD END . . . . .		01
20	ARBL-4EDUS	. . ROD END . . . . .	V83086	01
- 20A	HRBL4EDUS	. . BEARING ALT FOR ARBL4EDUS . . . . .	V83086	AR R
21	AN316-5R	. . NUT . . . . .		01 R
22	AN316-5L	. . NUT . . . . .		01 R
23	6342008-1	. TORQUE TUBE ASSY FSO 6342008-9 . . . . .	0800	0965 NP R
- 23A	6342008-9	. TORQUE TUBE ASSY . . . . .	0966	& ON 01 R
		ATTACHING PARTS		
24	NAS6204-10D	. BOLT . . . . .		02 R
25	NAS1149D0463K	. WASHER . . . . .		02 R
26	NAS1149D0416K	. WASHER . . . . .		02 R
27	MS17825-4	. NUT . . . . .		02 R
28	MS24665-134	. COTTER PIN . . . . .		02 R
		—*—		
- 29	5542213-16	. TUBE ASSY . . . . .		01 R
		ATTACHING PARTS		
30	NAS464P4-10	. BOLT . . . . .		01 R
31	NAS464P4-8	. BOLT . . . . .		01 R
32	NAS1149F0432P	. WASHER . . . . .		03 R
33	AN320-4	. NUT . . . . .		02 R
34	MS24665-134	. COTTER PIN . . . . .		02 R
		—*—		
35	5542213-17	. . TUBE . . . . .		01 R
36	AN316-5R	. . NUT . . . . .		01 R
37	AN316-5L	. . NUT . . . . .		01 R
38	ARB4EDUS	. . ROD END . . . . .	V83086	01 R
39	S2049P4LFG	. . ROD END . . . . .		01 R

- ITEM NOT ILLUSTRATED

CESSNA®  
**MODEL 525 (SERIALS -0685 AND -0800 AND ON)**  
 ILLUSTRATED PARTS CATALOG

A68208



**DETAIL A**

NOSE GEAR HYDRAULIC SYSTEM - CABIN SECTION  
 FIGURE 03 (SHEET 1)

6310T1168  
 A6347T1059

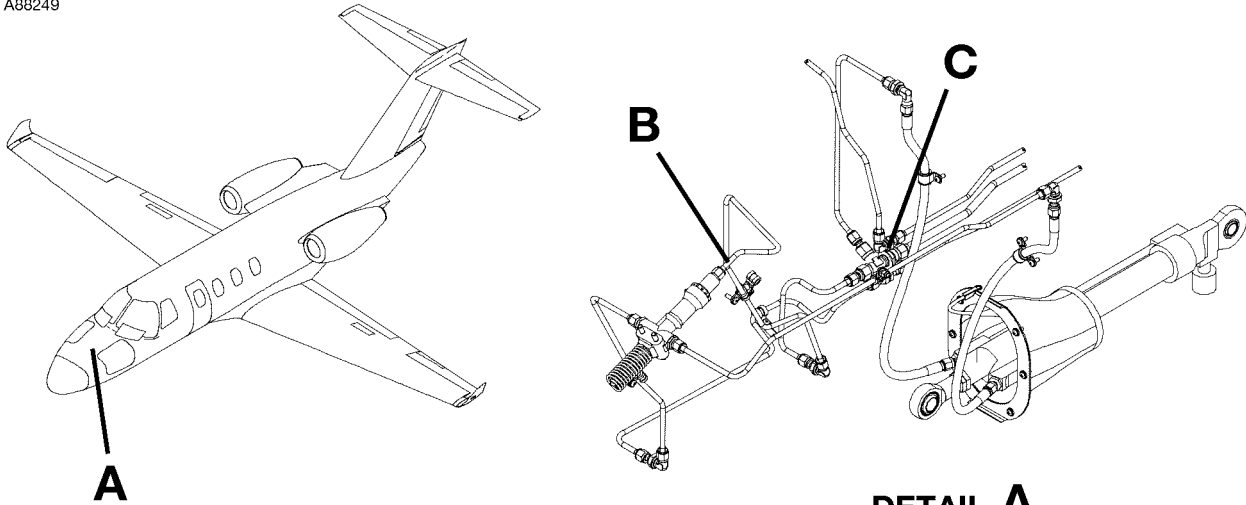
CESSNA®  
**MODEL 525 (SERIALS -0685 AND -0800 AND ON)**  
 ILLUSTRATED PARTS CATALOG

FIG ITEM	PART NUMBER	NOMENCLATURE	UNITS
			PER ASSY
03		NOSE GEAR HYDRAULIC SYSTEM - CABIN SECTION	RF
-			
1	6317003-2	. TUBE ASSY-EXTEND . . . . .	01
2	6317003-7	. TUBE ASSY-RETRACT . . . . .	01
3	AN832-4D	. UNION . . . . .	02
4	AN832-6D	. UNION . . . . .	02
5	NAS1149D0716K	. WASHER . . . . .	01
6	NAS1149F0916K	. WASHER . . . . .	01
7	AN924-4D	. NUT . . . . .	02
8	AN924-6D	. NUT . . . . .	02
9	6317525-22	. TUBE ASSY-EXTEND . . . . .	01
10	6317525-20	. TUBE ASSY-RETRACT . . . . .	01
-	11	6317000-65 . FAIRLEAD ASSY . . . . .	01
12	6317000-3	. FAIRLEAD . . . . .	02
13	6317000-7	. ANGLE FAIRLEAD . . . . .	01
14	MS27039-1-19	. SCREW . . . . .	01
15	MS27039-1-22	. SCREW . . . . .	01
16	NAS1149F0332P	. WASHER . . . . .	02
17	MS21044N3	. NUT . . . . .	02
-	18	6317000-37 . FAIRLEAD ASSY . . . . .	04
19	6317000-3	. FAIRLEAD . . . . .	02
20	6317000-36	. ANGLE FAIRLEAD . . . . .	01
21	MS27039-1-19	. SCREW . . . . .	02
22	NAS1149F0332P	. WASHER . . . . .	02
23	MS21044N3	. NUT . . . . .	02
24	AS5174D0404	. UNION . . . . .	02
25	AS5174D0606	. UNION . . . . .	02
26	6317000-16	. TUBE ASSY-EXTEND . . . . .	01
27	6317525-19	. TUBE ASSY-RETRACT . . . . .	01
28	6317525-21	. TUBE ASSY-EXTEND . . . . .	01
29	6317000-38	. TUBE ASSY-RETRACT . . . . .	01
30	MS21919WDG4	. CLAMP . . . . .	02
		ATTACHING PARTS	
31	MS27039-1-20	. SCREW . . . . .	01
32	NAS43DD3-40FC	. SPACER . . . . .	01
33	NAS1149F0363P	. WASHER . . . . .	01
34	MS21044N3	. NUT . . . . .	01
		—*—	
35	MS21919WDG4	. CLAMP . . . . .	01
36	MS21919WDG6	. CLAMP . . . . .	01
		ATTACHING PARTS	
37	MS27039-1-10	. SCREW . . . . .	01
38	NAS1149F0363P	. WASHER . . . . .	01
39	MS21044N3	. NUT . . . . .	01
		—*—	
40	5517005-91	. LINE ASSY . . . . .	01
41	5517005-88	. LINE ASSY . . . . .	01
42	5517005-92	. LINE ASSY . . . . .	01
43	6517105-52	. LINE ASSY . . . . .	01
44	MS21919WDG4	. CLAMP . . . . .	12
45	MS21919WDG6	. CLAMP . . . . .	04
		ATTACHING PARTS	
46	MS27039-1-14	. SCREW . . . . .	01
47	NAS43DD3-22FC	. SPACER . . . . .	01
		—*—	
48		. NOSE GEAR HYDRAULIC SYSTEM—NOSE SECTION REFER TO 32-30-01 FIGURE 04. . . . .	RF

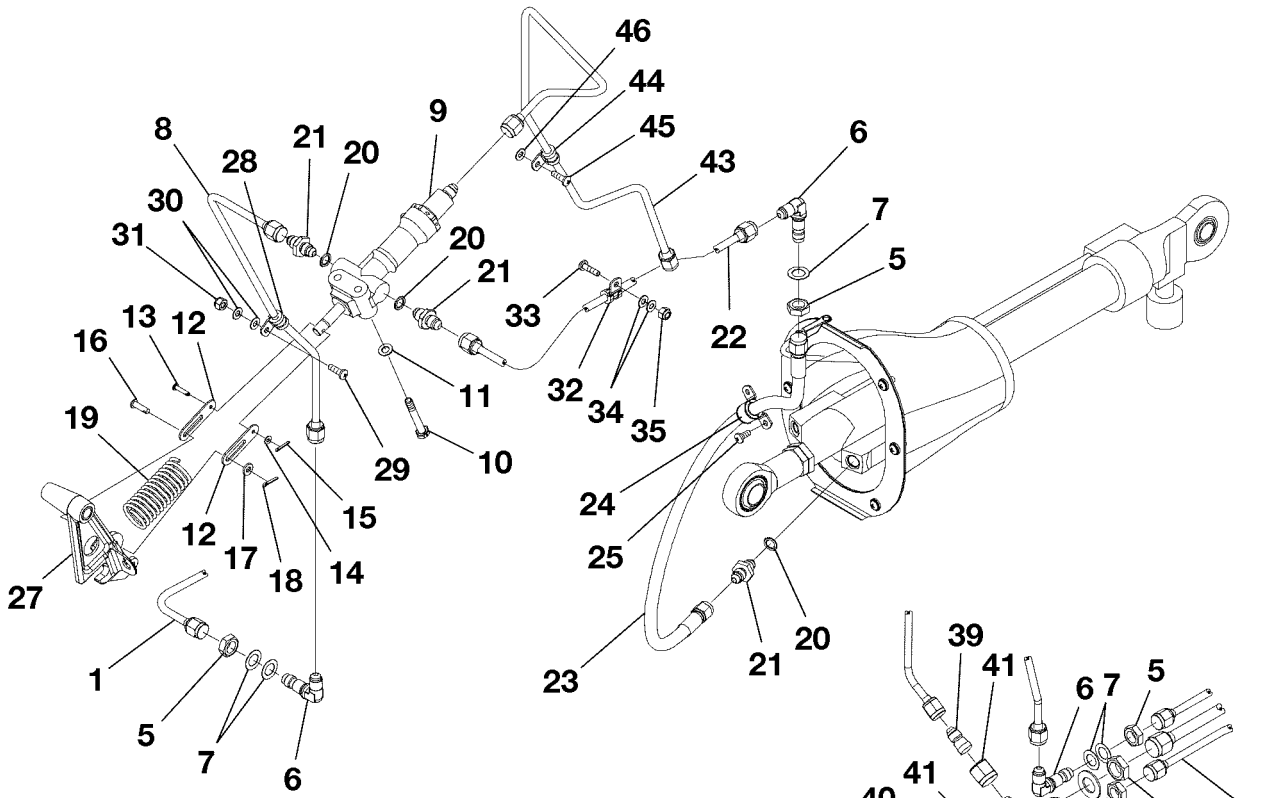
- ITEM NOT ILLUSTRATED

CESSNA®  
**MODEL 525 (SERIALS -0685 AND -0800 AND ON)**  
 ILLUSTRATED PARTS CATALOG

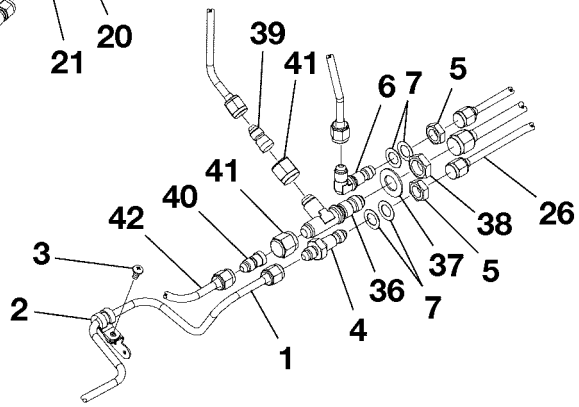
A88249



**DETAIL A**



**DETAIL B**



**DETAIL C**

NOSE GEAR HYDRAULIC SYSTEM - NOSE SECTION  
 FIGURE 04 (SHEET 1)

6310T1168  
 A6347T1060  
 B6347T1060  
 C6347T1060

CESSNA®  
**MODEL 525 (SERIALS -0685 AND -0800 AND ON)**  
 ILLUSTRATED PARTS CATALOG

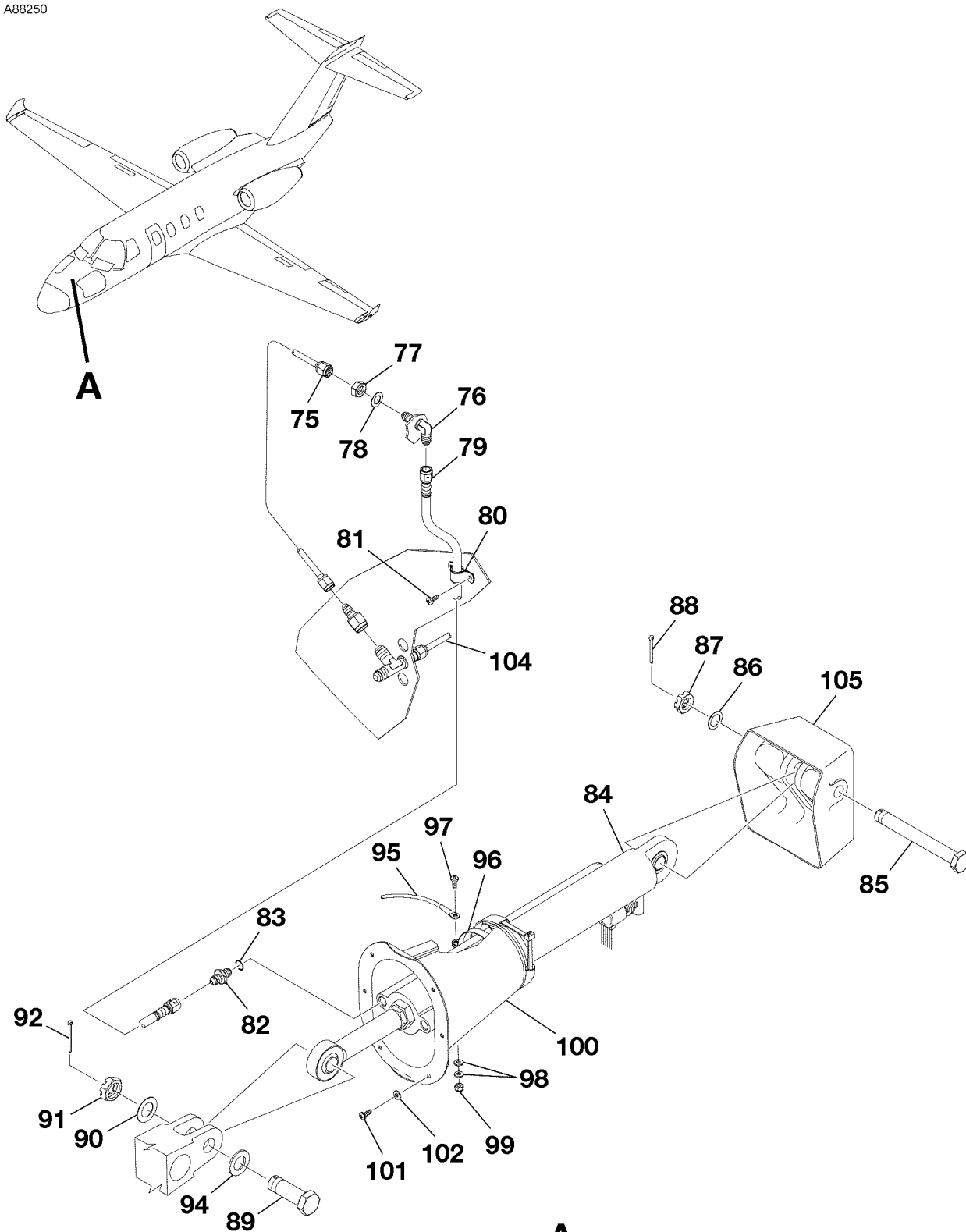
FIG ITEM	PART NUMBER	NOMENCLATURE	UNITS PER ASSY
		1 2 3 4 5 6 7	
04		NOSE GEAR HYDRAULIC SYSTEM - NOSE SECTION	RF
-		. TUBE ASSY-EXTEND . . . . .	01
1	5517005-22	. CLAMP . . . . . V84971	01
2	TA02D713D04EP	. ATTACHING PARTS	
3	MS27039-1-06	. SCREW . . . . .	01
		—*—	
4	AN832-4D	. UNION-BULKHEAD . . . . .	01
5	AN924-4D	. NUT . . . . .	05
6	AS1038W0404	. ELBOW . . . . .	04
7	NAS1149D0716K	. WASHER . . . . .	07
8	5517005-16	. TUBE ASSY-EXTEND . . . . .	01
9	6327504-7	. ACTUATOR ASSY-NOSE GEAR UPLOCK REFER TO NOTE 1 AND NOTE 2 ATTACHING PARTS	01
10	AN4H16A	. BOLT . . . . .	02
11	NAS1149F0432P	. WASHER . . . . .	02
		—*—	
12	5527400-2	. LINK-ACTUATOR HOOK . . . . . ATTACHING PARTS	02
13	MS20392-1C17	. PIN . . . . .	01
14	NAS1149FN416P	. WASHER . . . . .	01
15	MS24665-132	. COTTER PIN . . . . .	01
16	MS20392-2C17	. PIN . . . . .	01
17	NAS1149F0363P	. WASHER . . . . .	01
18	MS24665-208	. COTTER PIN . . . . .	01
		—*—	
19	5527401-3	. SPRING . . . . .	01
20	M83461/2-904	. O-RING . . . . .	02
21	AS5174D0404	. UNION . . . . .	02
22	6517105-62	. LINE ASSY-EXTEND . . . . .	01
23	AE3663218E0185	. HOSE ASSY-EXTEND . . . . . V00624	01
24	NAS1716D8K	. CLAMP . . . . . ATTACHING PARTS	01
25	MS27039-1-07	. SCREW . . . . .	02
		—*—	
26		. NOSE GEAR HYDRAULIC SYSTEM - CABIN SECTION REFER TO 32-30-01 FIGURE 03 . . . . .	RF
27		. NOSE LANDING GEAR (NLG) REFER TO 32-20-00 FIGURE 01 . . . . .	RF
28	MS21919WDG4	. CLAMP . . . . . ATTACHING PARTS	01
29	MS27039-1-10	. SCREW . . . . .	01
30	NAS1149F0332P	. WASHER . . . . .	02
31	MS21044N3	. NUT . . . . .	01
		—*—	
32	MS21919WDG4	. CLAMP . . . . . ATTACHING PARTS	01
33	MS27039-1-11	. SCREW . . . . .	01
34	NAS1149F0332P	. WASHER . . . . .	02
35	MS21044N3	. NUT . . . . .	01
		—*—	
36	AN804D6	. TEE . . . . .	01
37	NAS1149D0963K	. WASHER . . . . .	02
38	AN924-6D	. NUT . . . . .	01
39	6327502-12	. RESTRICTOR ASSY . . . . .	01
40	NAS1564D6-4	. REDUCER . . . . .	01
41	AN818-6D	. NUT . . . . .	02
42	6517105-58	. LINE ASSY-RETRACT . . . . .	01
43	5517008-48	. LINE ASSY-RETRACT . . . . .	01
44	MS21919WDG4	. CLAMP . . . . . ATTACHING PARTS	01
45	MS27039-1-10	. SCREW . . . . .	01
46	NAS1149F0332P	. WASHER . . . . .	01
		—*—	

NOTE 1—REFER TO COMPONENT MAINTENANCE MANUAL FOR BREAKDOWN.

NOTE 2—REFER TO MAINTENANCE MANUAL FOR SUPPLIERS PUBLICATION LIST.

CESSNA®  
MODEL 525 (SERIALS -0685 AND -0800 AND ON)  
ILLUSTRATED PARTS CATALOG

A88250



**DETAIL A**

NOSE GEAR HYDRAULIC SYSTEM - NOSE SECTION  
FIGURE 04 (SHEET 2)

6310T1168  
A6347T1005

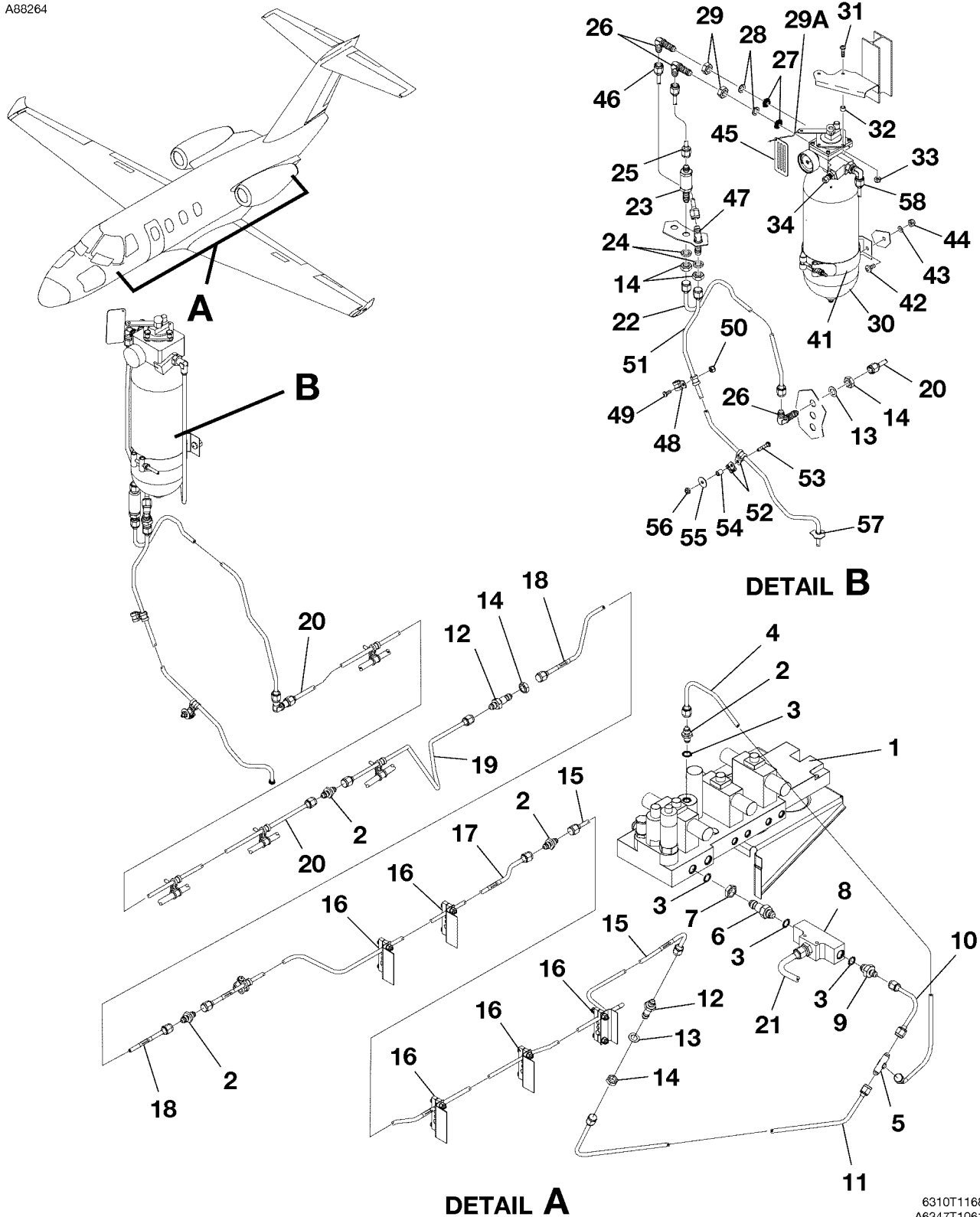
CESSNA®  
**MODEL 525 (SERIALS -0685 AND -0800 AND ON)**  
 ILLUSTRATED PARTS CATALOG

FIG ITEM	PART NUMBER	NOMENCLATURE	UNITS PER ASSY		
			1	2	3
04					
75	6317000-43	. TUBE ASSY-RETRACT . . . . .			01
76	AS1038W0404	. ELBOW . . . . .			01
77	AN924-4D	. NUT . . . . .			01
78	NAS1149D0732K	. WASHER . . . . .			01
79	AE3663218E0185	. HOSE ASSY-RETRACT . . . . .		V00624	01
80	NAS1716D8K	. CLAMP . . . . .			01
		. ATTACHING PARTS			
81	MS27039-1-07	. SCREW . . . . .			02
		. —*—			
82	AS5174D0404	. UNION . . . . .			01
83	M83461/2-904	. O-RING . . . . .			01
84	9912370-5	. ACTUATOR ASSY-NOSE GEAR . . . . .			01
		. ATTACHING PARTS			
85	S3461-45	. BOLT . . . . .	0800	0961	01 R
- 85A	S3468-31	. BOLT-PENETRANT INSPECTED . . . . .	0962	& ON	01 R
86	S1450-10S15-032	. WASHER . . . . .			01
87	MS17826-10	. NUT . . . . .			01
88	MS24665-355	. COTTER PIN . . . . .			01
89	S3461-44	. BOLT . . . . .	0800	0961	01 R
- 89A	S3468-30	. BOLT-PENETRANT INSPECTED . . . . .	0962	& ON	01 R
90	NAS1149F1232P	. WASHER . . . . .			01
91	MS17826-12	. NUT . . . . .			01
92	MS24665-357	. COTTER PIN . . . . .			01
		. —*—			
- 93	1EN118-6	. . SWITCH-NOSE GEAR DOWN AND LOCK . . . . .		V91929	01
94	NAS1149F1290P	. WASHER . . . . .			01
95	MS25083-2BB10	. JUMPER ASSY . . . . .			01
96	AN735D22	. CLAMP . . . . .			01
		. ATTACHING PARTS			
97	MS27039-1-08	. SCREW . . . . .			01
98	NAS1149F0363P	. WASHER . . . . .			01
99	MS21044N3	. NUT . . . . .			01
		. —*—			
100	5542227-8	. BOOT ASSY-ACTUATOR . . . . .			01
		. ATTACHING PARTS			
101	MS35207-263	. SCREW . . . . .			06
102	NAS1149F0363P	. WASHER . . . . .			01
		. —*—			
- 103	MS3367-2-9	. . STRAP-TIE . . . . .			01
104		. NOSE GEAR HYDRAULIC SYSTEM-CABIN SECTION REFER TO 32-30-01 FIGURE 03. . . . .			RF
105	6511105-1	. FITTING-NLG ACTUATOR SUPPORT . . . . .			01

- ITEM NOT ILLUSTRATED

CESSNA®  
**MODEL 525 (SERIALS -0685 AND -0800 AND ON)**  
 ILLUSTRATED PARTS CATALOG

A88264



GEAR EMERGENCY EXTENSION SYSTEM - FUSELAGE  
 FIGURE 01 (SHEET 1)

6310T1168  
 A6347T1061  
 B6347T1061



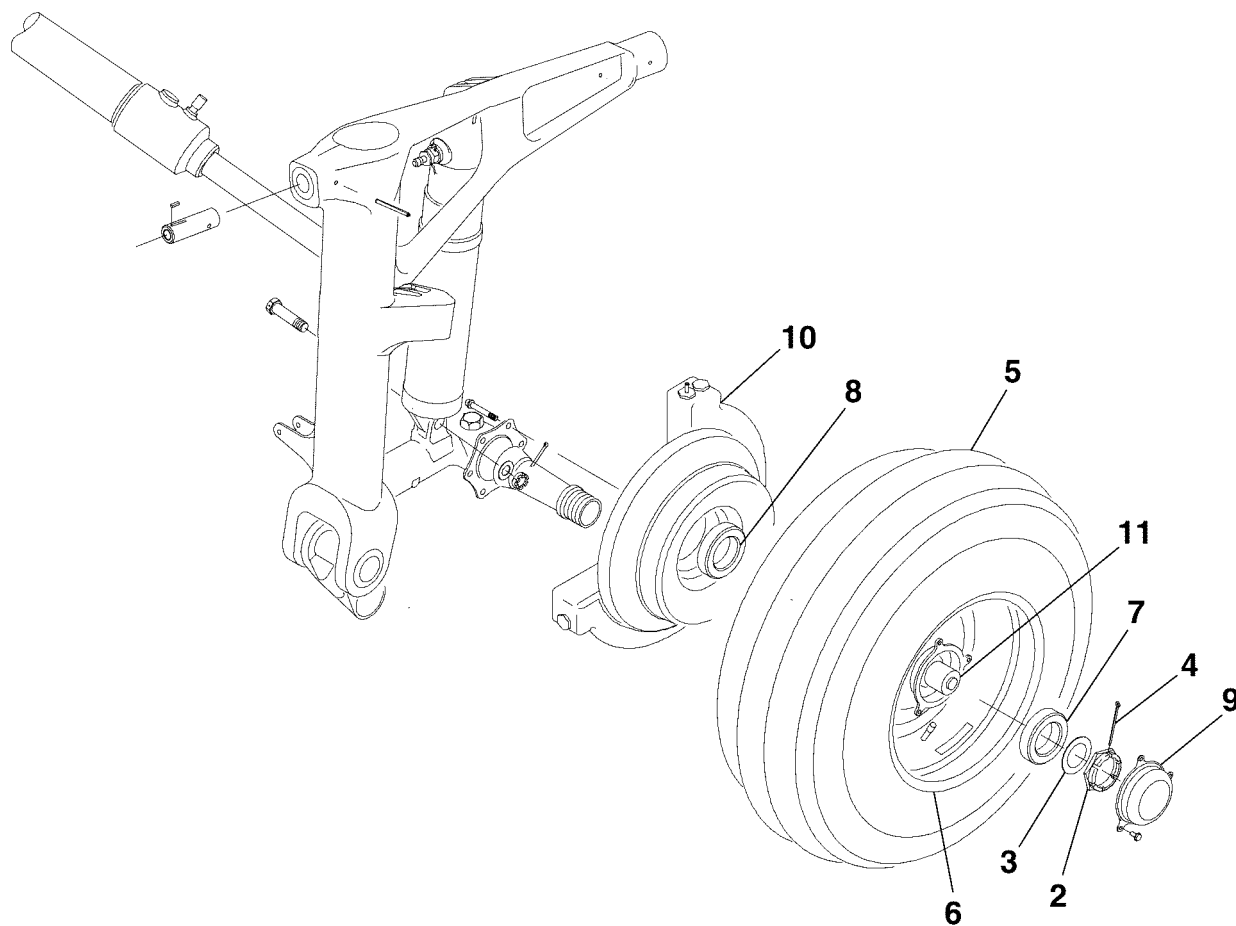
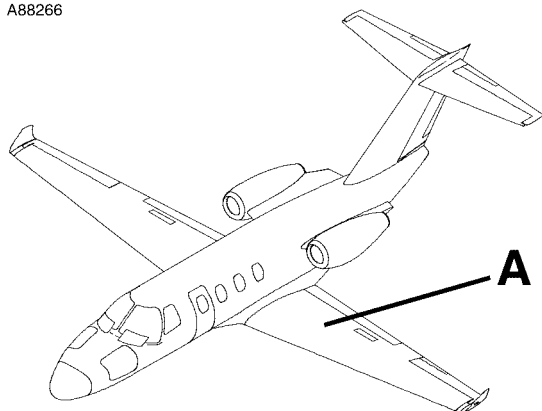
CESSNA®  
**MODEL 525 (SERIALS -0685 AND -0800 AND ON)**  
 ILLUSTRATED PARTS CATALOG

FIG ITEM	PART NUMBER	NOMENCLATURE	UNITS PER ASSY
	1 2 3 4 5 6 7		
01		GEAR EMERGENCY EXTENSION SYSTEM - FUSELAGE	RF
-		. MANIFOLD ASSY-REFER TO 29-10-00 FIGURE 02	RF
1		. UNION	04
2	AS5174D0404	. O-RING	04
3	M83461/2-906	. TUBE ASSY-MANIFOLD TO TEE	01
4	6317003-29	. TEE	01
5	AN824-4D	. UNION	01
6	AN832-6D	. NUT	01
7	AN924-6D	. HYDRAULIC SHUTTLE VALVE	01
8	95784	. REDUCER	01
9	AS5174D0604	. TUBE ASSY-SHUTTLE VALVE TO TEE	01
10	6317003-30	. TUBE ASSY-TEE TO UNION	01
11	6317003-28	. UNION	02
12	AN832-4D	. WASHER	01
13	NAS1149D0716K	. NUT	04
14	AN924-4D	. TUBE ASSY	01
15	6317525-25	. FAIRLEAD-REFER TO 32-30-01 FIGURE 03	RF
16	6317525-24	. TUBE ASSY	01
18	6317525-23	. TUBE ASSY	01
19	5517005-85	. LINE ASSY	01
20	5517005-86	. LINE ASSY	01
21		. EXTENSION AND RETRACTION SYSTEM-MAIN GEAR-REFER TO 32-30-00 FIGURE 02	RF
22	5517011-32	. LINE ASSY-ELBOW TO RELIEF VALVE	01
23	CV38-18	. RELIEF VENT VALVE	01
24	S1450-7D11-125	. WASHER	02
25	6317000-54	. TUBE ASSY	01
26	AS1038W0404	. ELBOW	02
27	M83461/1-012	. O-RING	02
28	MS9058-04	. BACK-UP RING	02
29	AN6289D4	. NUT	02
29A	6517000-27	. SAFETY WIRE	01
30	9912368-2	. RESERVOIR ASSY-BOTTLE AND VALVE EMERGENCY EXTENSION	01
		ATTACHING PARTS	
31	AN3-5A	. BOLT	02
32	NAS43DD3-16N	. SPACER	02
33	MS21083N3	. NUT	02
		—*—	
34	42000117	. FITTING-SHRADER VALVE	01
- 35	42000118	. POPPET	01
- 36	NAS1612-4	. O-RING	01
- 37	NAS1611-007	. O-RING	01
- 38	42000124	. FILTER DISC	01
- 39	MS16625-4037	. RING-RETAINER	01
- 40	95204300-2	. CAP	01
41	MBS68811-375S	. CLAMP	01
		ATTACHING PARTS	
42	MS27039-4-08	. SCREW	02
43	NAS1149F0432P	. WASHER	02
44	MS21044N4	. NUT	02
		—*—	
45		. PLACARD-SAFETY WIRE-REFER TO 11-N-22 FIGURE 01	RF
46	6317000-55	. TUBE ASSY	01
47	AN837-4D	. ELBOW-BULKHEAD	01
48	MS21919WDG4	. CLAMP	02
		ATTACHING PARTS	
49	MS27039-1-07	. SCREW	01
50	MS21044N3	. NUT	01
		—*—	
51	5517011-33	. LINE ASSY-VENT	01
52	MS21919WDG4	. CLAMP	02
		ATTACHING PARTS	
53	MS27039-1-15	. SCREW	01
54	NAS43DD3-24FC	. SPACER	01
55	S1450-3D12-040	. WASHER	01
56	MS21083N3	. NUT	01
		—*—	
57	NAS557-4A	. GROMMET	01
58		. LINE ASSY TO PRESSURE BULKHEAD-REFER TO 32-41-00 FIGURE 05	RF

- ITEM NOT ILLUSTRATED

CESSNA®  
**MODEL 525 (SERIALS -0685 AND -0800 AND ON)**  
ILLUSTRATED PARTS CATALOG

A88266



**DETAIL A**

WHEEL, TIRE AND BRAKE - MAIN LANDING GEAR (MLG)  
FIGURE 01 (SHEET 1)

6310T1168  
A6341T1009

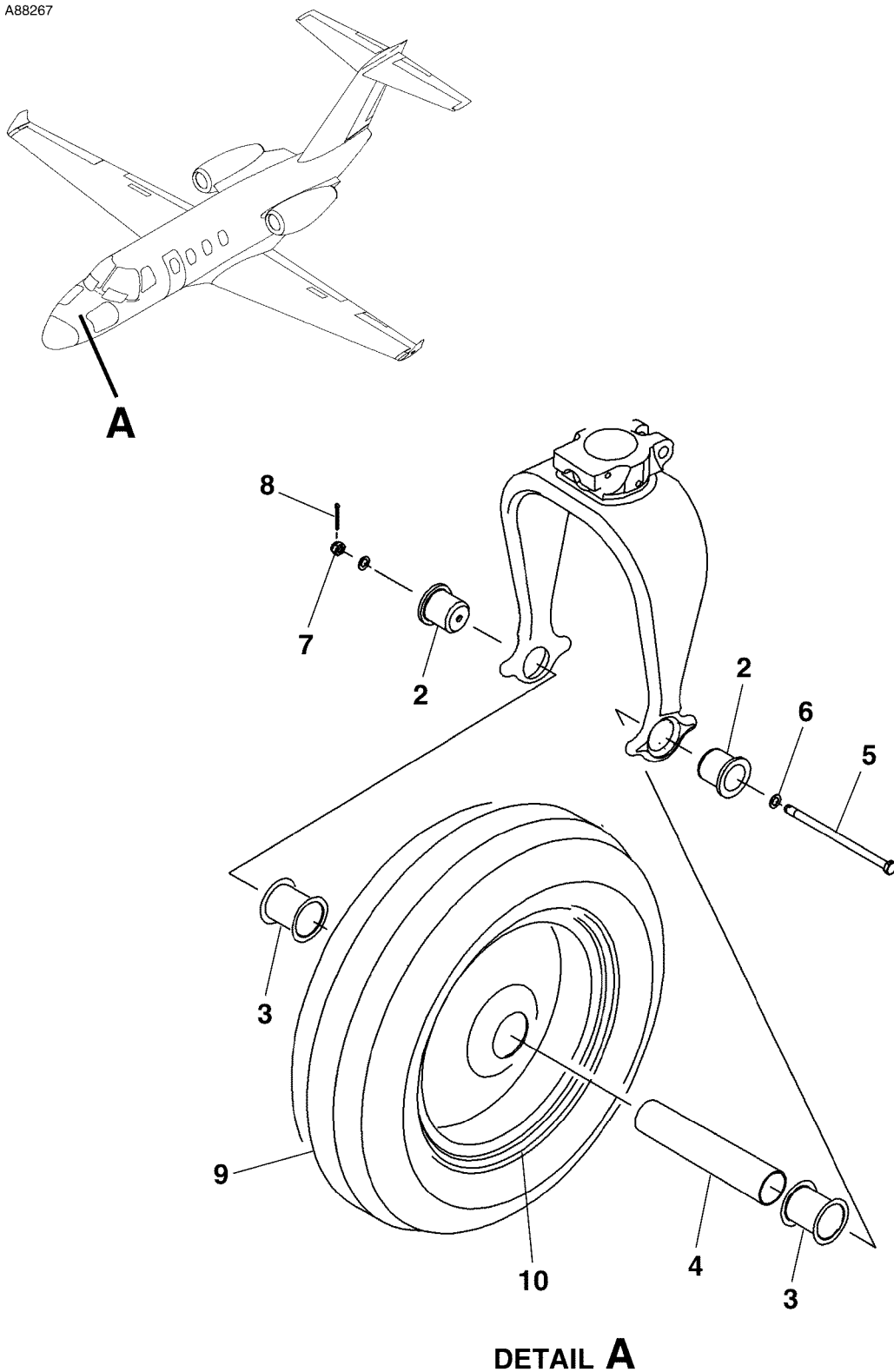
CESSNA®  
**MODEL 525 (SERIALS -0685 AND -0800 AND ON)**  
 ILLUSTRATED PARTS CATALOG

FIG ITEM	PART NUMBER	NOMENCLATURE	1 2 3 4 5 6 7							UNITS PER ASSY
			1	2	3	4	5	6	7	
01		WHEEL, TIRE AND BRAKE - MAIN LANDING GEAR (MLG)								RF
- 1	6341100-4	. WHEEL AND TIRE ASSY-GRAY LH AND RH . . . . .								02
- 1A	6341100-5	. WHEEL AND TIRE ASSY-WHITE LH AND RH . . . . . ATTACHING PARTS						0905	& ON	02 R
2	MS21025-28	. NUT . . . . .								01
3	MS21258C28	. WASHER . . . . .								01
4	MS24665-428	. COTTER PIN . . . . . —*—								01
5	277K08-1	. . TIRE 22X7.75-10 10 PLY RATING REFER TO NOTE 3 FSO 026-528-0 . . . V73842								NP
- 5A	026-528-0	. . TIRE 22X7.75-10 12 PLY RATING REFER TO NOTE 3 FOR SPARES V0A1K8 ONLY . . . . .								01 R
6	9912398-7	. . WHEEL ASSY-GRAY REFER TO NOTE 1 . . . . .								01 R
- 6A	9912398-9	. . WHEEL ASSY-WHITE REFER TO NOTE 1 . . . . .						0905	& ON	02 R
7	68-1316	. . . SEAL-OUTER . . . . . V97153								01 R
8	68-1406	. . . SEAL-INNER . . . . . V97153								01 R
9	380-70	. . HUBCAP ASSY-KIT REFER TO NOTE 2 . . . . . V97153								01 R
10	9912398-8	. BRAKE ASSY-GRAY LH AND RH REFER TO NOTE 1 . . . . .								02 R
- 10A	9912398-10	. BRAKE ASSY-WHITE LH AND RH REFER TO NOTE 1 . . . . .								02 R
11		. TRANSDUCER-ANTISKID BRAKE REFER TO 32-41-00 FIGURE 03. . . . .								RF R

NOTE 1—REFER TO MAINTENANCE MANUAL FOR SUPPLIERS PUBLICATION LIST.  
 NOTE 2—FOR ANTISKID SYSTEM, REFER TO 32-41-00 FIGURE 03.  
 NOTE 3—INSTALLED MAIN LANDING GEAR TIRES MUST BE OF SAME BRAND.

CESSNA®  
**MODEL 525 (SERIALS -0685 AND -0800 AND ON)**  
ILLUSTRATED PARTS CATALOG

A88267



**DETAIL A**

WHEEL AND TIRE ASSEMBLY - NOSE LANDING GEAR (NLG)  
FIGURE 02 (SHEET 1)

6310T1168  
A6342R1009

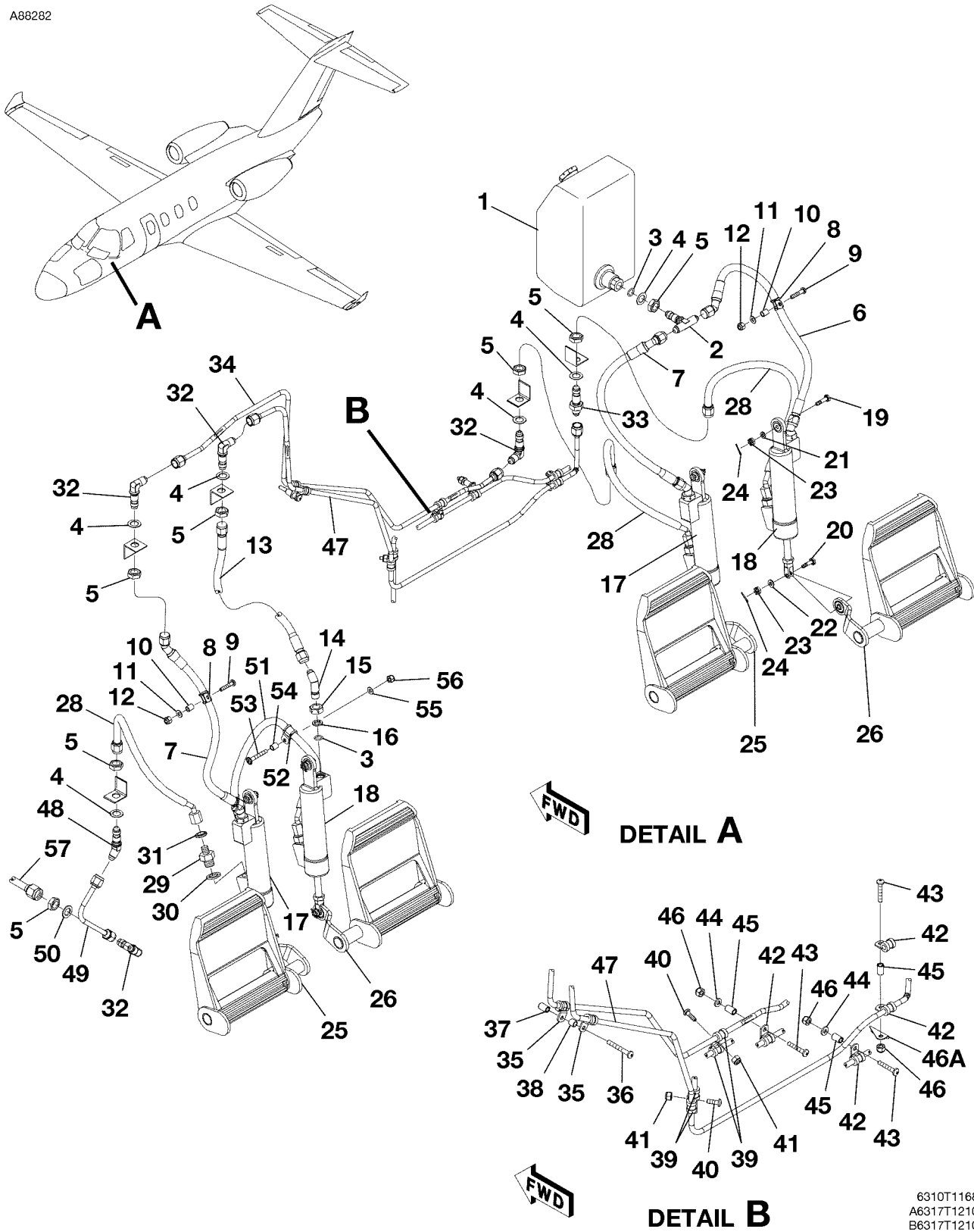
CESSNA®  
**MODEL 525 (SERIALS -0685 AND -0800 AND ON)**  
 ILLUSTRATED PARTS CATALOG

FIG ITEM	PART NUMBER	NOMENCLATURE	1 2 3 4 5 6 7							UNITS PER ASSY
02		WHEEL AND TIRE ASSEMBLY - NOSE LANDING GEAR (NLG)								RF
-		. WHEEL AND TIRE ASSY . . . . .								01
- 1	6342110-1	. WHEEL AND TIRE ASSY ALT FOR 6342110-1 . . . . .								01 R
- 1A	6342110-2	. WHEEL AND TIRE ASSY ALT FOR 6342110-1 . . . . .								01 R
- 1B	6342110-3	. WHEEL AND TIRE ASSY . . . . .							0905 & ON	01 R
		ATTACHING PARTS								
2	0842000-37	. BUCKET . . . . .								02 R
3	5542223-1	. SPACER . . . . .								02 R
4	0842000-36	. TUBE . . . . .								01 R
5	AN5-55	. BOLT . . . . .								01 R
6	NAS1149F0532P	. WASHER . . . . .								01 R
7	MS17825-5	. NUT . . . . .								01 R
8	MS24665-231	. COTTER PIN . . . . .								01 R
		—*—								
9	030-611-0	. . TIRE . . . . .							V0A1K8	01 R
- 9A	184F68-1	. . TIRE ALT FOR 030-611-0 . . . . .							V73842	01 R
10	9914069-2	. . WHEEL ASSY . . . . .								01 R
- 10A	9914069-5	. . WHEEL ASSY-WHITE ALT FOR 9914069-2 . . . . .								01 R

- ITEM NOT ILLUSTRATED

CESSNA®  
**MODEL 525 (SERIALS -0685 AND -0800 AND ON)**  
 ILLUSTRATED PARTS CATALOG

A88202



ANTISKID BRAKE CONTROL SYSTEM - NOSE  
 FIGURE 01 (SHEET 1)

6310T1168  
 A6317T1210  
 B6317T1210

CESSNA®  
**MODEL 525 (SERIALS -0685 AND -0800 AND ON)**  
 ILLUSTRATED PARTS CATALOG

FIG ITEM	PART NUMBER	NOMENCLATURE	UNITS PER ASSY
01		ANTISKID BRAKE CONTROL SYSTEM - NOSE	RF
-		. BRAKE RESERVOIR-REFER TO 32-41-02 FIGURE 01	RF
1		. TEE	01
2	AN834-4D	. O-RING	05
3	MS28775-012	. WASHER	06
4	NAS1149D0716K	. NUT	07
5	AN924-4D	. HOSE ASSY-RH OUTBD RESERVOIR TO MASTER CYLINDER	01
6	S3309B0146-000E	. HOSE ASSY-LH OUTBD AND RH INBD RESERVOIR TO MASTER	02
7	S3309B0125-000E	. CYLINDER	
8	MS21919WDG6	. CLAMP	02
		ATTACHING PARTS	
9	MS27039-1-15	. SCREW	01
10	NAS43DD3-24FC	. SPACER	01
11	NAS1149F0332P	. WASHER	01
12	MS21044N3	. NUT	01
		—*—	
13	AE3663218E0117	. HOSE ASSY-LH INBD RESERVOIR TO MASTER CYLINDER	01
14	CM3694D4	. ELBOW	04
15	AN6289D4	. NUT	04
16	MS9058-04	. BACK-UP RING	04
17	9912366-1	. CYLINDER ASSY-BRAKE PILOT AND COPILOT REFER TO NOTE 1	02
18	9912366-2	. CYLINDER ASSY-BRAKE PILOT AND COPILOT REFER TO NOTE 1	02
19	NAS6203-8D	. BOLT	04
20	NAS6203-7D	. BOLT	04
21	S1450-3N6-063	. WASHER	04
22	NAS1149F0363P	. WASHER	04
23	MS17826-3	. NUT	08
24	MS24665-132	. COTTER PIN	08
25	5565605-13	. BRAKE ARM ASSY-LH	02
26	5565605-14	. BRAKE ARM ASSY-RH	02
- 27	LS3	. BEARING	01
28	AE3663713E0121	. HOSE ASSY-REFER TO NOTE 2	V73134 V00624
29	S400-1-4RS	. ADAPTER	V02570
30	S4RS2B	. GASKET	V11704
31	SS-402-SC	. COLLAR	V02570
32	AS1038W0404	. ELBOW	04
33	AN832-4D	. UNION-BULKHEAD	01
34	6317525-5	. TUBE ASSY-LH BRAKE CONNECT	01
35	MS21919WDG4	. CLAMP	02
		ATTACHING PARTS	
36	MS27039-1-24	. SCREW	01
37	NAS43DD3-32FC	. SPACER	01
38	NAS43DD3-19FC	. SPACER	01
		—*—	
39	MS21919WDG4	. CLAMP	04
		ATTACHING PARTS	
40	MS27039-1-09	. SCREW	01
41	MS21044N3	. NUT	01
		—*—	
42	MS21919WDG4	. CLAMP	03
43	MS27039-1-18	. SCREW	02
44	NAS1149F0363P	. WASHER-FSO MS21044N3	NP R
- 44A	MS21044N3	. WASHER	01 R
45	NAS43DD3-32FC	. SPACER	02
46	MS21044N3	. NUT	02
46A	S138-1	. BRACKET	01
47	6317525-4	. TUBE ASSY-RH BRAKE CONNECT	01
48	AN837-4D	. ELBOW-BULKHEAD	02
49	5517011-89	. LINE ASSY-LH BRAKE	01
50	NAS1149D0763K	. WASHER	01
51	AE3663713E0171	. HOSE ASSY-RH	V00624
52	MS21919WDG6	. CLAMP	01
		ATTACHING PARTS	
53	AN525-10R22	. SCREW	01
54	NAS43DD3-24FC	. SPACER	01
55	NAS1149F0332P	. WASHER	01
56	MS21044N3	. NUT	01
		—*—	
57		. ANTISKID BRAKE PRESSURIZATION SYSTEM-REFER TO 32-41-00 FIGURE 03	RF

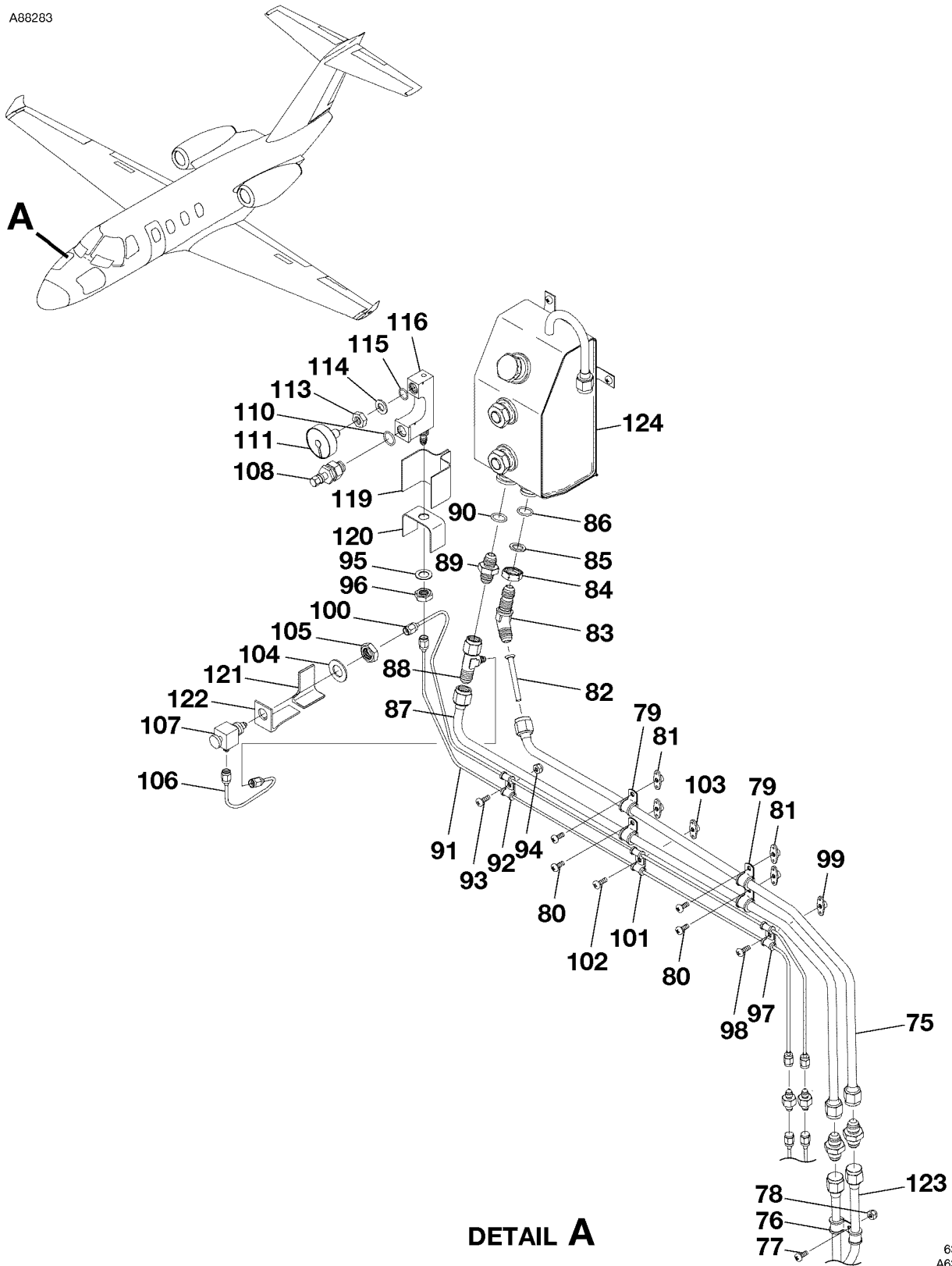
NOTE 1—REFER TO MAINTENANCE MANUAL FOR SUPPLIERS PUBLICATION LIST.

NOTE 2—REFER TO MAINTENANCE MANUAL FOR INSTALLATION OF THIS PART.

- ITEM NOT ILLUSTRATED

CESSNA®  
MODEL 525 (SERIALS -0685 AND -0800 AND ON)  
ILLUSTRATED PARTS CATALOG

A88283



**DETAIL A**

ANTISKID BRAKE CONTROL SYSTEM - NOSE  
FIGURE 01 (SHEET 2)

6310T1168  
A6317T1204



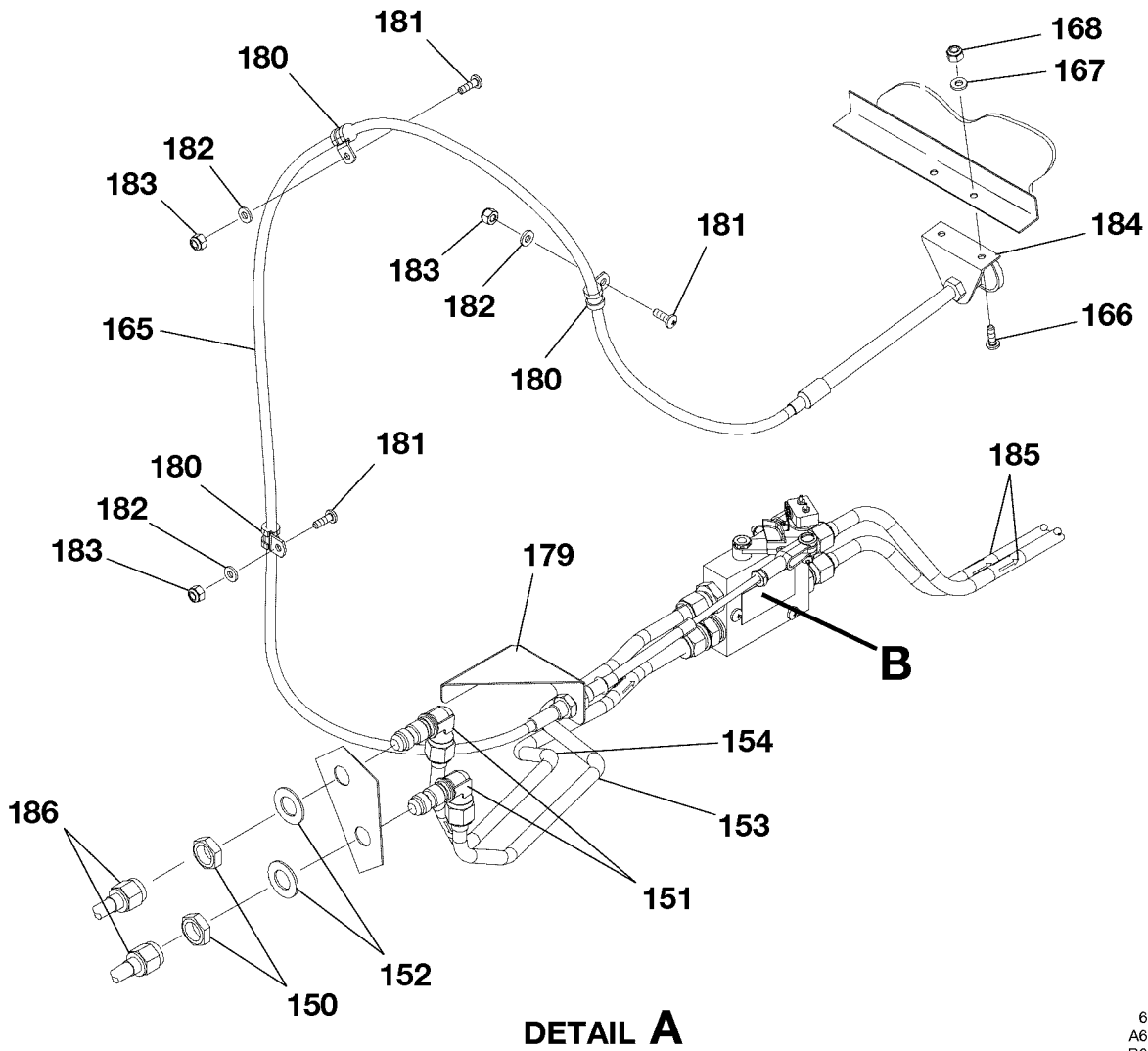
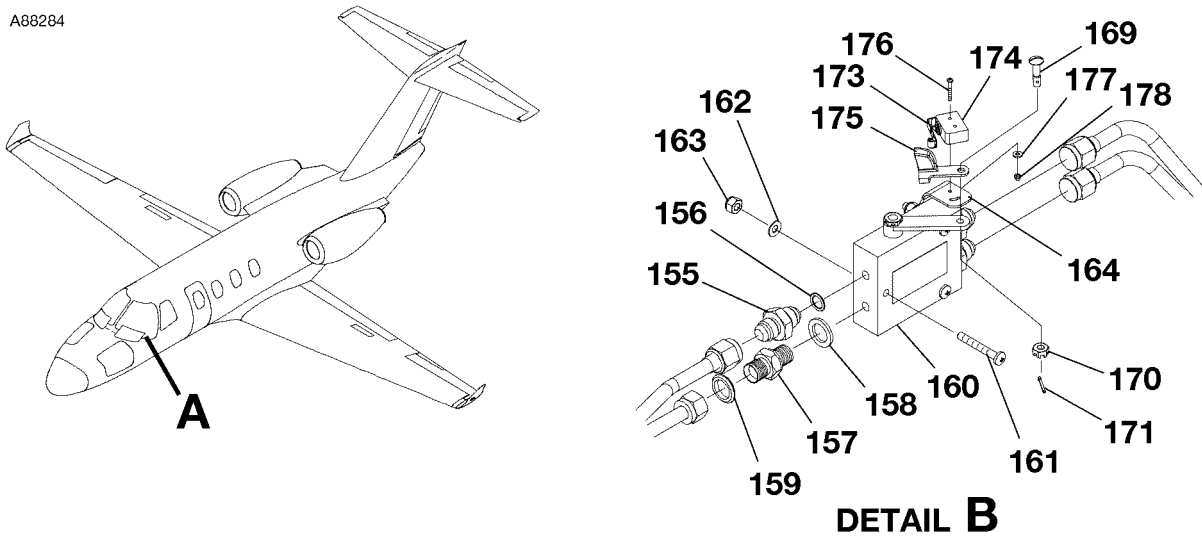
CESSNA®  
**MODEL 525 (SERIALS -0685 AND -0800 AND ON)**  
 ILLUSTRATED PARTS CATALOG

FIG ITEM	PART NUMBER	NOMENCLATURE	UNITS
			PER ASSY
		1 2 3 4 5 6 7	
01			
75	5517010-80	. TUBE ASSY-PUMP TO RESERVOIR . . . . .	01
76	MS21919WDG6	. CLAMP . . . . .	02
		ATTACHING PARTS	
77	MS27039-1-07	. SCREW . . . . .	01
78	MS21044N3	. NUT . . . . .	01
		—*—	
79	MS21919WDG6	. CLAMP . . . . .	04
		ATTACHING PARTS	
80	MS27039-1-07	. SCREW . . . . .	01
81	MS21078-3	. NUTPLATE . . . . .	01
		—*—	
82	20666-6-250	. FILTER . . . . . V10989	01
83	AN837-6D	. ELBOW . . . . .	01
84	AN6289D6	. NUT . . . . .	01
85	MS9058-06	. BACK-UP RING . . . . .	01
86	MS29512-06	. O-RING . . . . .	01
87	5517010-81	. TUBE ASSY-BRAKE VALVE TO RESERVOIR . . . . .	01
88	CM3753-1	. SWIVEL TEE FITTING . . . . .	01
89	AS5174D0606	. UNION . . . . .	01
90	MS29512-06	. O-RING . . . . .	01
91	5517010-82	. TUBE ASSY-ACCUMULATOR TO CHARGE VALVE . . . . .	01
92	MS21919WDG2	. CLAMP . . . . .	04
		ATTACHING PARTS	
93	MS27039-1-07	. SCREW . . . . .	01
94	MS21044N3	. NUT . . . . .	01
		—*—	
95	NAS1149D0716K	. WASHER . . . . .	02
96	AN924-4D	. NUT . . . . .	01
97	MS21919WDG2	. CLAMP . . . . .	02
		ATTACHING PARTS	
98	MS27039-1-08	. SCREW . . . . .	01
99	MS21051-3	. NUTPLATE . . . . .	01
		—*—	
100	6517105-38	. LINE ASSY-UNION TO BLEED VALVE . . . . .	01
101	MS21919WDG2	. CLAMP . . . . .	02
		ATTACHING PARTS	
102	MS27039-1-08	. SCREW . . . . .	01
103	MS21078-3	. NUTPLATE . . . . .	01
		—*—	
104	NAS1149D0963K	. WASHER . . . . .	02
105	AN924-6D	. NUT . . . . .	01
106	6517105-37	. LINE ASSY-BLEED VALVE TO RESERVOIR . . . . .	01
107	77B62H	. BLEED VALVE ASSY . . . . . V91511	01
108	AN6287-1	. VALVE-FSO MS28889-2 . . . . .	NP
- 109	MS28889-2	. AIR VALVE-FOR SPARES ONLY . . . . .	01
110	M83461/1-015	. O-RING . . . . .	01
111	18215203	. GAUGE-PRESSURE BRAKE SYSTEM . . . . . V05167	01
- 112	G4199	. GAUGE-PRESSURE ALT FOR 18215203 . . . . . V34830	01
113	CM3682D4	. NUT . . . . .	01
114	MS9058-04	. BACK-UP RING . . . . .	01
115	MS29512-04	. O-RING . . . . .	01
116	6517101-24	. FITTING ASSY . . . . .	01
- 117	PLGA2180010	. LEE PLUG-FSO S2121-5 . . . . . V92555	NP
- 118	S2121-5	. PLUG-FOR SPARES ONLY . . . . .	01
119	6517101-26	. CLIP . . . . .	02
120	6517101-27	. CLIP . . . . .	01
121	6517101-38	. BRACKET . . . . .	01
122	6517101-39	. BRACKET . . . . .	01
123		. ANTISKID BRAKE PRESSURIZATION SYSTEM-REFER TO 32-41-00 FIGURE 03 . . . . .	RF
124		. RESERVOIR-BRAKE PRESSURIZATION SYSTEM-REFER TO 32-41-02 FIGURE 01 . . . . .	RF

- ITEM NOT ILLUSTRATED

CESSNA®  
**MODEL 525 (SERIALS -0685 AND -0800 AND ON)**  
 ILLUSTRATED PARTS CATALOG

A88284



ANTISKID BRAKE CONTROL SYSTEM - NOSE  
 FIGURE 01 (SHEET 3)

6310T1168  
 A6317T1211  
 B6317T1211

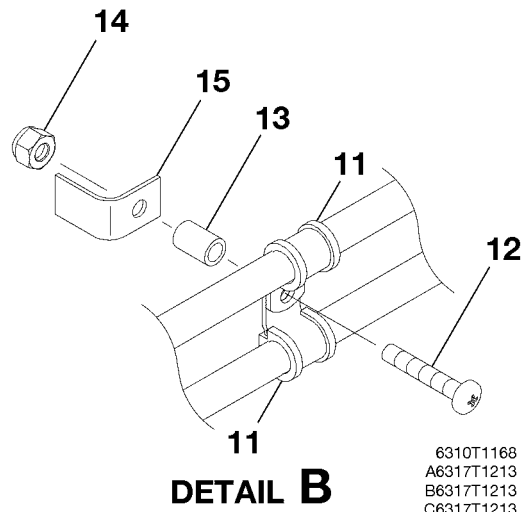
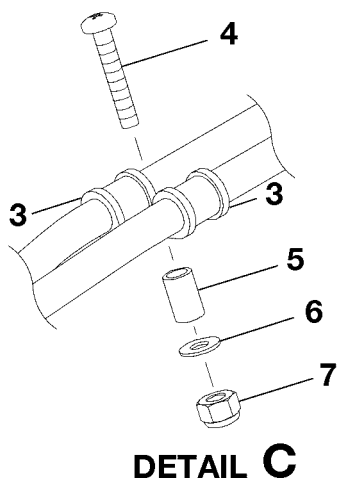
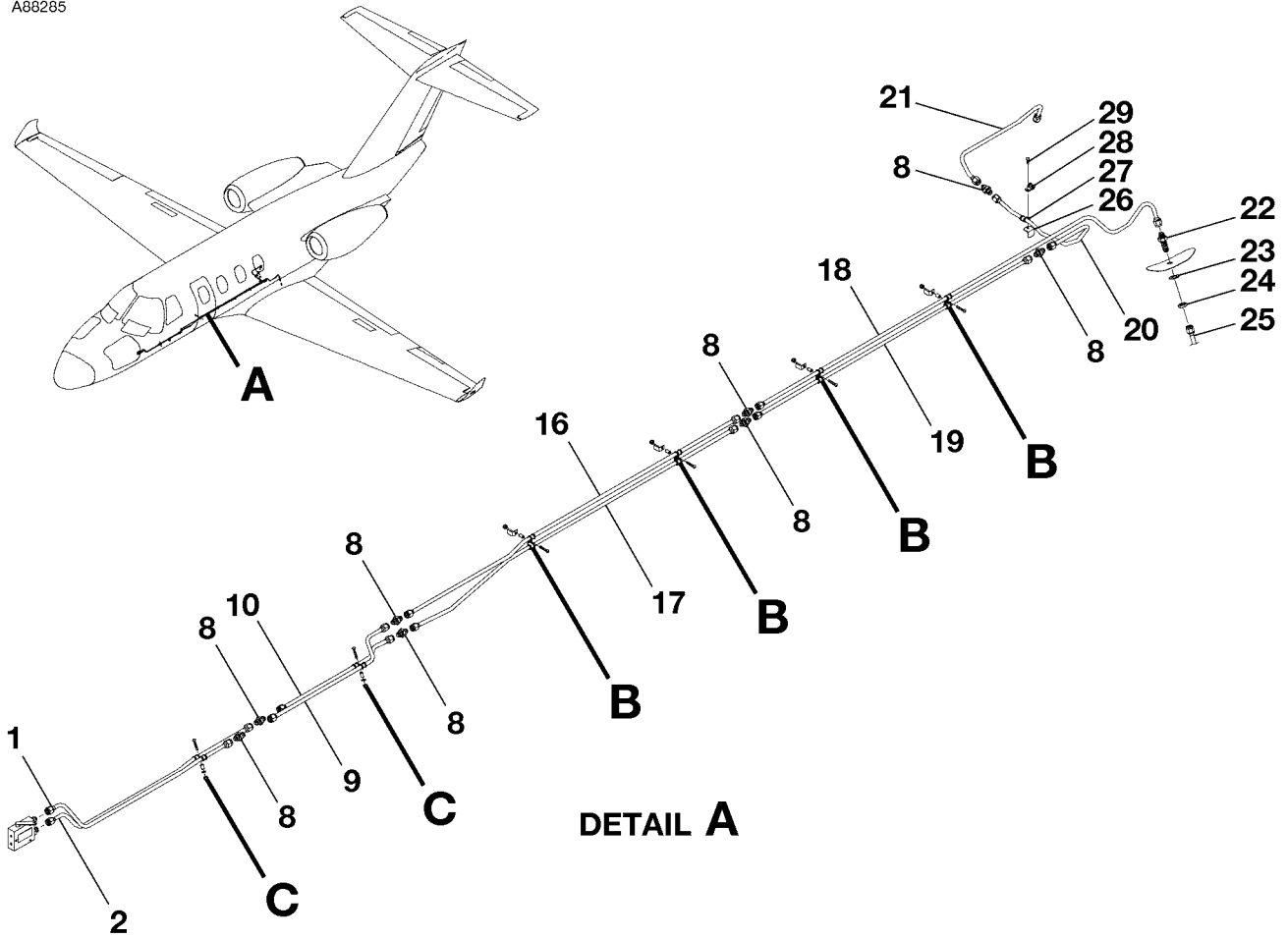
CESSNA®  
**MODEL 525 (SERIALS -0685 AND -0800 AND ON)**  
 ILLUSTRATED PARTS CATALOG

FIG ITEM	PART NUMBER	NOMENCLATURE	UNITS
			PER ASSY
01			
150	AN924-6D	. NUT . . . . .	02
151	AN833-6D	. ELBOW . . . . .	02
152	NAS1149D0963K	. WASHER . . . . .	02
153	6317000-57	. TUBE ASSY-LH . . . . .	01
154	6317525-10	. TUBE ASSY-RH . . . . .	01
155	AS5174D0606	. UNION-LH . . . . .	01
156	M83461/1-012	. O-RING-LH . . . . .	01
157	S600-1-4RS	. ADAPTER-RH . . . . . V11704	01
158	S4RS2B	. GASKET-RH . . . . . V11704	01
159	SS-602-SC	. COLLAR-STOP RH . . . . . V02570	01
160	9912388-1	. VALVE-PARKING BRAKE . . . . .	01
		ATTACHING PARTS	
161	MS27039-1-23	. SCREW . . . . .	03
162	NAS1149F0332P	. WASHER . . . . .	03
163	MS21044N3	. NUT . . . . .	03
		—*—	
164	6314105-3	. BRACKET . . . . .	01
165	38520401	. CABLE ASSY-PARKING BRAKE . . . . . V92867	01
		ATTACHING PARTS	
166	MS27039-1-09	. SCREW . . . . .	02
167	NAS1149F0363P	. WASHER . . . . .	02
168	MS21044N3	. NUT . . . . .	02
169	AN23-12	. BOLT . . . . .	01
170	MS17826-3	. NUT . . . . .	01
171	MS24665-132	. COTTER PIN . . . . .	01
		—*—	
- 172	LK334-1	. CLEVIS . . . . . V70436	01
173	6314105-1	. CAM . . . . .	01
174	5SE1-3	. SWITCH . . . . . V91929	01
175	JE5	. ACTUATOR . . . . . V91929	01
		ATTACHING PARTS	
176	NAS1635-02-10	. SCREW . . . . .	02
177	NAS1149FN232P	. WASHER . . . . .	02
178	MS21042-02	. NUT . . . . .	02
		—*—	
179	6514006-8	. BRACKET . . . . .	01
180	MS21919WDG4	. CLAMP . . . . .	03
		ATTACHING PARTS	
181	MS27039-1-09	. SCREW . . . . .	01
182	NAS1149F0363P	. WASHER . . . . .	01
183	MS21044N3	. NUT . . . . .	01
		—*—	
184	5514179-2	. BRACKET-CABLE SUPPORT . . . . .	01
185		. ANTISKID BRAKE CONTROL SYSTEM-REFER TO 32-41-00 FIGURE 02 . . . . .	RF
186		. ANTISKID BRAKE PRESSURIZATION SYSTEM-REFER TO 32-41-00 FIGURE 03 . . . . .	RF

- ITEM NOT ILLUSTRATED

CESSNA®  
**MODEL 525 (SERIALS -0685 AND -0800 AND ON)**  
 ILLUSTRATED PARTS CATALOG

A88285



6310T1168  
 A6317T1213  
 B6317T1213  
 C6317T1213

ANTISKID BRAKE CONTROL SYSTEM - FUSELAGE  
 FIGURE 02 (SHEET 1)

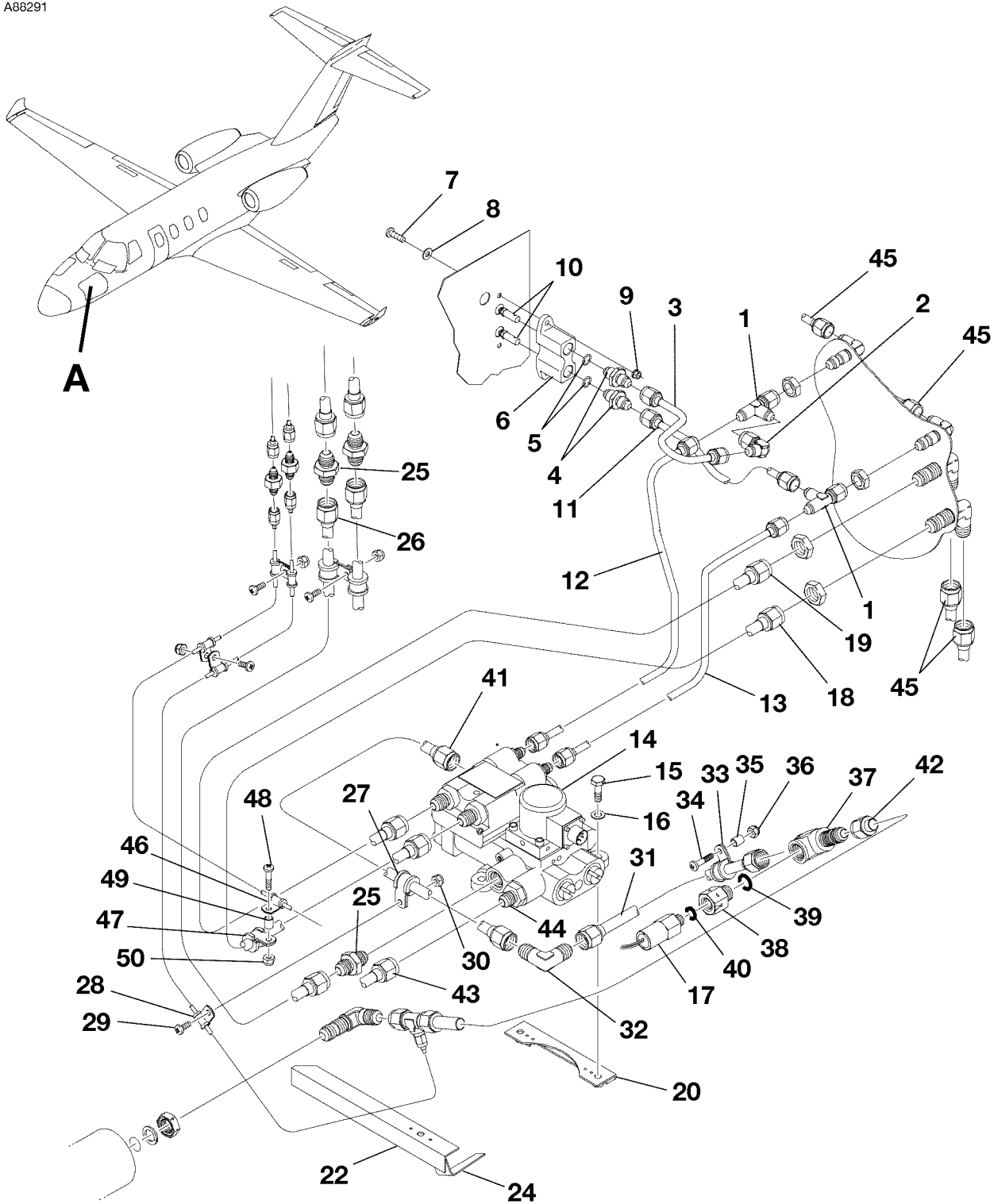
CESSNA®  
**MODEL 525 (SERIALS -0685 AND -0800 AND ON)**  
 ILLUSTRATED PARTS CATALOG

FIG ITEM	PART NUMBER	NOMENCLATURE	UNITS
			PER ASSY
02		ANTISKID BRAKE CONTROL SYSTEM - FUSELAGE	RF
-			
1	6317525-7	. TUBE ASSY-LH . . . . .	01
2	6317525-8	. TUBE ASSY-RH . . . . .	01
3	MS21919WDG6	. CLAMP . . . . .	04
		ATTACHING PARTS	
4	MS27039-1-18	. SCREW . . . . .	01
5	NAS43DD3-32FC	. SPACER . . . . .	01
6	NAS1149F0332P	. WASHER . . . . .	01
7	MS21044N3	. NUT . . . . .	01
		—*—	
8	AS5174D0606	. UNION . . . . .	08
9	6317525-9	. TUBE ASSY-LH . . . . .	01
10	6317000-58	. TUBE ASSY-RH . . . . .	01
11	MS21919WDG6	. CLAMP . . . . .	10
		ATTACHING PARTS	
12	MS27039-1-18	. SCREW . . . . .	01
13	NAS43DD3-30FC	. SPACER . . . . .	01
14	MS21044N3	. NUT . . . . .	01
15	6317000-5	. ANGLE CLAMP . . . . .	01
		—*—	
16	6317525-15	. TUBE ASSY-LH . . . . .	01
17	6317525-16	. TUBE ASSY-RH . . . . .	01
18	6317525-17	. TUBE ASSY-LH . . . . .	01
19	6317000-24	. TUBE ASSY-RH . . . . .	01
20	6317525-18	. TUBE ASSY-RH . . . . .	01
21	6317000-52	. TUBE ASSY-RH . . . . .	01
22	AN832-6D	. UNION-BULKHEAD . . . . .	02
23	NAS1149D0916K	. WASHER . . . . .	02
24	AN924-6D	. NUT . . . . .	02
25		. ANTISKID BRAKE CONTROL SYSTEM-WING-REFER TO 32-41-00 FIGURE 04 . . . . .	RF
26	6357001-23	. BRACKET ASSY . . . . .	01
27	MS21919WDG6	. CLAMP . . . . .	01
28	MS21919WDG4	. CLAMP . . . . .	01
		ATTACHING PARTS	
29	MS27039-1-09	. SCREW . . . . .	01
		—*—	

- ITEM NOT ILLUSTRATED

CESSNA®  
**MODEL 525 (SERIALS -0685 AND -0800 AND ON)**  
 ILLUSTRATED PARTS CATALOG

A88291



**DETAIL A**

ANTISKID BRAKE PRESSURIZATION SYSTEM  
 FIGURE 03 (SHEET 1)

6310T1168  
 A6347T1027A

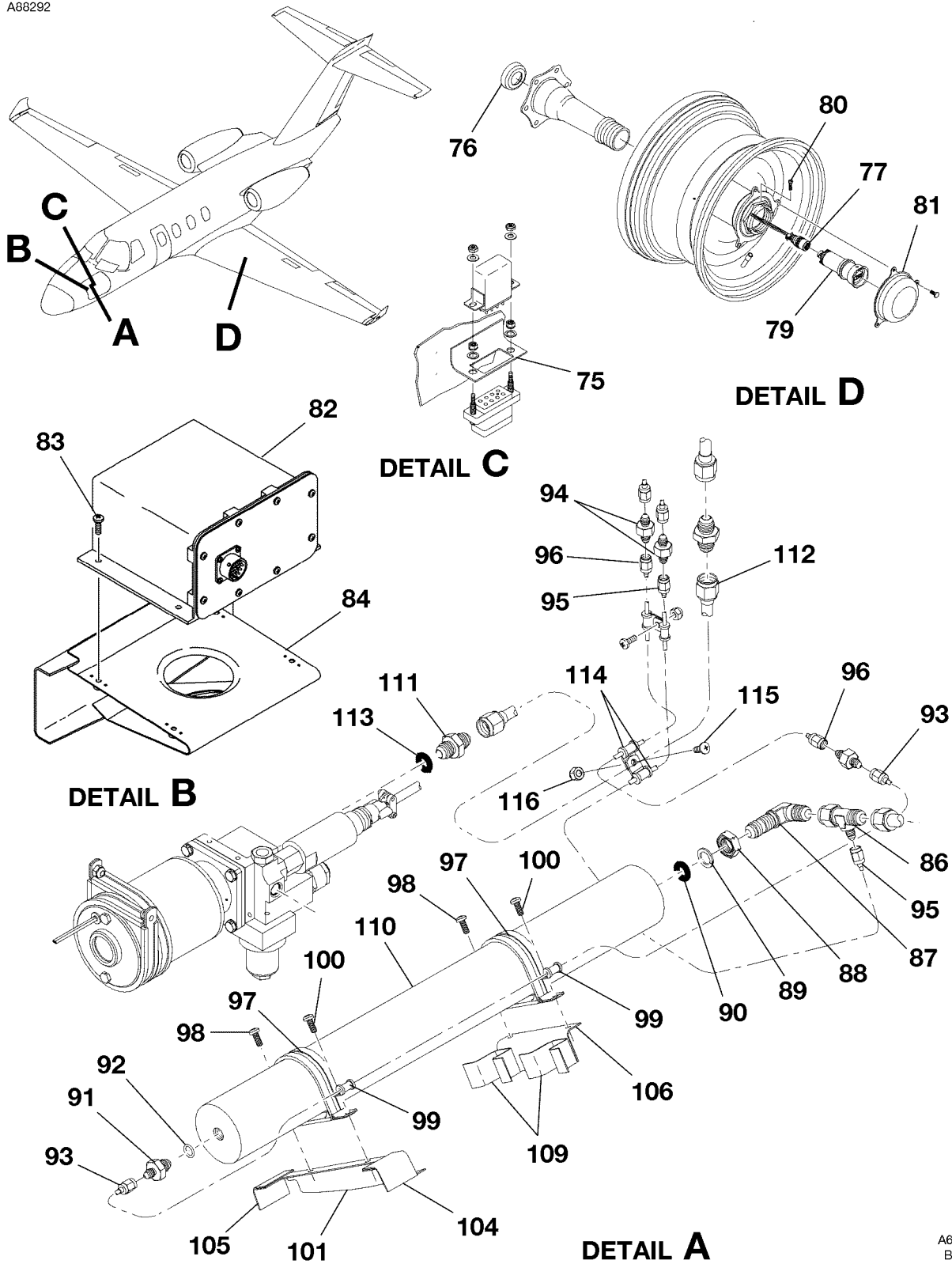
CESSNA®  
**MODEL 525 (SERIALS -0685 AND -0800 AND ON)**  
 ILLUSTRATED PARTS CATALOG

FIG ITEM	PART NUMBER	NOMENCLATURE	UNITS	
			PER	ASSY
03		ANTISKID BRAKE PRESSURIZATION SYSTEM		RF
-				
1	CM3686D04-04-04	. TEE . . . . .		02
2	AS4407D0404	. ELBOW ASSY . . . . .		01
3	6317008-2	. LINE ASSY . . . . .		01
4	AS5174D0404	. UNION . . . . .		02
5	M83461/2-904	. O-RING . . . . .		02
6	6517005-38	. FITTING . . . . .		01
		ATTACHING PARTS		
7	MS27039-1-10	. SCREW . . . . .		02
8	NAS1149C0332R	. WASHER . . . . .		02
9	MS21042L3	. NUT . . . . .		02
		—*—		
10	079-00300	. BLEEDER SCREW . . . . . V33269		02
11	6317008-3	. LINE ASSY . . . . .		01
12	6317008-4	. LINE ASSY-RH BRAKE . . . . .		01
13	6317008-5	. LINE ASSY-LH BRAKE . . . . .		01
14	9912374-7	. VALVE-POWER BRAKE AND ANTISKID . . . . .		01
		ATTACHING PARTS		
15	AN4-6A	. BOLT . . . . .		03
16	NAS1149D0416K	. WASHER . . . . .		03
		—*—		
17	9912374-6	. PRESSURE SWITCH . . . . .		01
18	6517109-1	. TUBE ASSY-LH BRAKE . . . . .		01
19	6517109-2	. TUBE ASSY-RH BRAKE . . . . .		01
20	6517101-8	. ANGLE ASSY . . . . .		01
- 21	MS21051L4	. NUTPLATE . . . . .		02
22	6517101-11	. ANGLE ASSY FSO 6317018-2 . . . . .	0800 0901	NP R
- 22A	6317018-2	. ANGLE ASSY . . . . .	0902 & ON	01 R
- 23	MS21047L4	. NUTPLATE . . . . .		02
24	6517101-12	. SUPPORT . . . . .		01
25	AS5174D0606	. UNION . . . . .		02
26	6517105-60	. LINE ASSY . . . . .		01
27	MS21919WDG6	. CLAMP . . . . .		01
28	MS21919WDG2	. CLAMP . . . . .		01
		ATTACHING PARTS		
29	MS27039-1-07	. SCREW . . . . .		01
30	MS21044N3	. NUT . . . . .		01
		—*—		
31	6517105-54	. LINE ASSY . . . . .		01
32	AN821-6D	. ELBOW . . . . .		01
33	MS21919WDG6	. CLAMP . . . . .		02
		ATTACHING PARTS		
34	MS27039-1-14	. SCREW . . . . .		01
35	NAS43DD3-24FC	. SPACER . . . . .		01
36	MS21044N3	. NUT . . . . .		01
		—*—		
37	MS24388D6	. TEE . . . . .		01
38	AS5172D0406L	. BUSHING . . . . .		01
39	MS29512-06	. O-RING . . . . .		01
40	MS29512-04	. O-RING . . . . .		01
41	6517105-53	. LINE ASSY . . . . .		01
42	6517105-40	. TUBE ASSY-PRESSURE SWITCH TO ACCUMULATOR . . . . .		01
43	6517105-43	. TUBE ASSY . . . . .		01
44	AS5174D0604	. REDUCER . . . . .		01
45		. ANTISKID BRAKE CONTROL SYSTEM-NOSE REFER TO 32-41-00 FIGURE 01 . . . . .		RF
46	MS21919WDG2	. CLAMP . . . . .		01
47	MS21919WDG6	. CLAMP . . . . .		01
		ATTACHING PARTS		
48	MS27039-1-14	. SCREW . . . . .		01
49	NAS43DD3-24FC	. SPACER . . . . .		01
50	MS21044N3	. NUT . . . . .		01
		—*—		

NOTE 1—REFER TO MAINTENANCE MANUAL FOR SUPPLIERS PUBLICATION LIST.

CESSNA®  
**MODEL 525 (SERIALS -0685 AND -0800 AND ON)**  
 ILLUSTRATED PARTS CATALOG

A88292



ANTISKID BRAKE PRESSURIZATION SYSTEM  
 FIGURE 03 (SHEET 2)

6310T1168  
 A6347T1027A  
 B6347R1021  
 C6347T1028



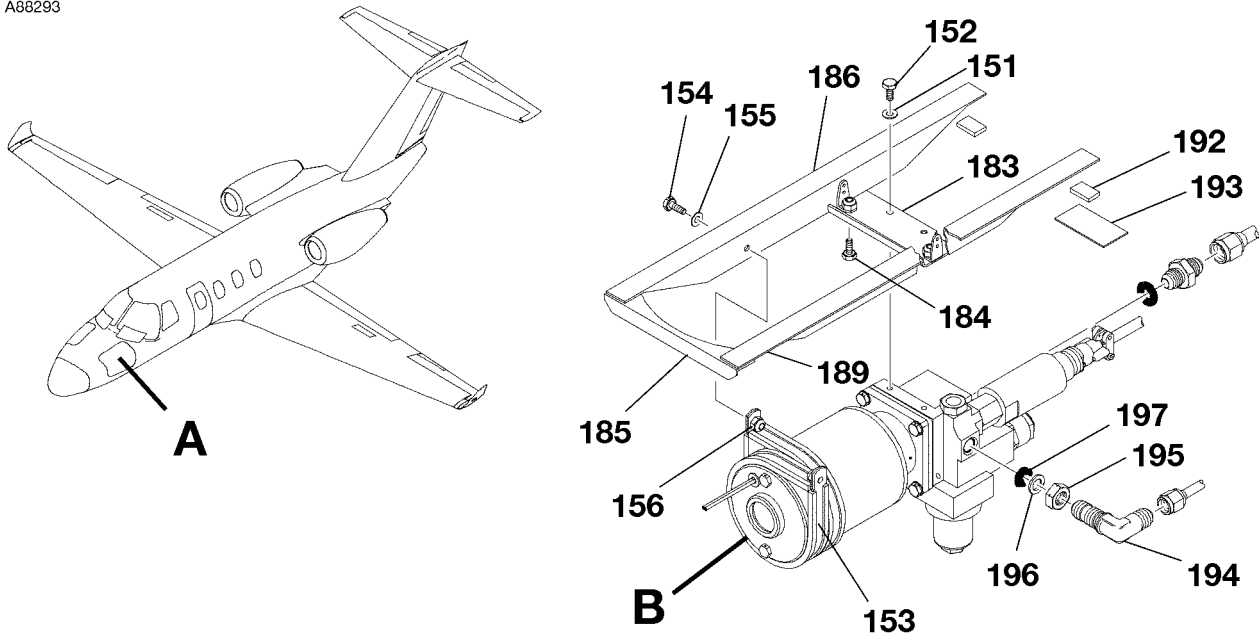
CESSNA®  
**MODEL 525 (SERIALS -0685 AND -0800 AND ON)**  
 ILLUSTRATED PARTS CATALOG

FIG ITEM	PART NUMBER	NOMENCLATURE	UNITS
			PER ASSY
		1 2 3 4 5 6 7	
03			
75	6317009-2	. BRACKET . . . . .	01
76	6317009-3	. PLUG . . . . .	02
77	6308528-3	. CABLE ASSY-LH BRAKE CONTROL . . . . .	01
- 78	6308528-2	. CABLE ASSY-RH BRAKE CONTROL . . . . .	01
79	9912305-2	. TRANSDUCER ASSY-ANTISKID LH AND RH REFER TO NOTE 1 . . . . .	02
		ATTACHING PARTS	
80	AN503-8-10	. SCREW . . . . .	02
		—*—	
81		. HUBCAP ASSY REFER TO 32-40-00 FIGURE 01 . . . . .	RF
82	9912305-6	. CONTROL BOX-BRAKE CONTROL . . . . .	01
		ATTACHING PARTS	
83	MS27039-1-09	. SCREW . . . . .	04
		—*—	
84	6517005-23	. BRACKET ASSY . . . . .	01
- 85	MS21047L3	. NUTPLATE . . . . .	04
86	CM3753-1	. SWIVEL TEE FITTING . . . . .	01
87	AN833-6D	. ELBOW . . . . .	01
88	AN6289D6	. NUT . . . . .	01
89	MS9058-06	. BACK-UP RING . . . . .	01
90	MS29512-06	. O-RING . . . . .	01
91	AS5174D0402	. REDUCER . . . . .	01
92	MS29512-04	. O-RING . . . . .	01
93	6517105-55	. TUBE ASSY . . . . .	01
94	AS5174D0202	. UNION . . . . .	03
95	6517105-56	. TUBE ASSY . . . . .	01
96	6517105-39	. TUBE ASSY . . . . .	01
97	TA12C60WD36CR	. CLAMP FSO M85449/1-36 . . . . . V84971	NP
- 97A	M85449/1-36	. CLAMP FOR SPARES ONLY . . . . .	02
		ATTACHING PARTS	
98	MS27039-1-07	. SCREW . . . . .	01
		—*—	
99	MS21919WDG2	. CLAMP . . . . .	02
		ATTACHING PARTS	
100	MS27039-1-08	. SCREW . . . . .	01
		—*—	
101	6517005-5	. ZEE ASSY . . . . .	01
- 102	6517005-4	. ZEE . . . . .	01
- 103	MS21047L3	. NUTPLATE . . . . .	01
104	6517005-2	. CLIP . . . . .	01
105	6517005-3	. CLIP . . . . .	01
106	6517005-18	. ANGLE ASSY . . . . .	02
- 107	6517005-17	. ANGLE . . . . .	01
- 108	MS21069L3	. NUTPLATE . . . . .	02
109	6517005-6	. SUPPORT . . . . .	02
110	9912644-2	. ACCUMULATOR-BRAKE ANTISKID PRESSURIZATION . . . . .	01
111	AS5174D0606	. UNION . . . . .	02
112	6517105-59	. TUBE ASSY . . . . .	01
113	MS29512-06	. O-RING . . . . .	01
114	MS21919WDG2	. CLAMP . . . . .	02
		ATTACHING PARTS	
115	MS27039-1-07	. SCREW . . . . .	01
116	MS21044N3	. NUT . . . . .	01
		—*—	

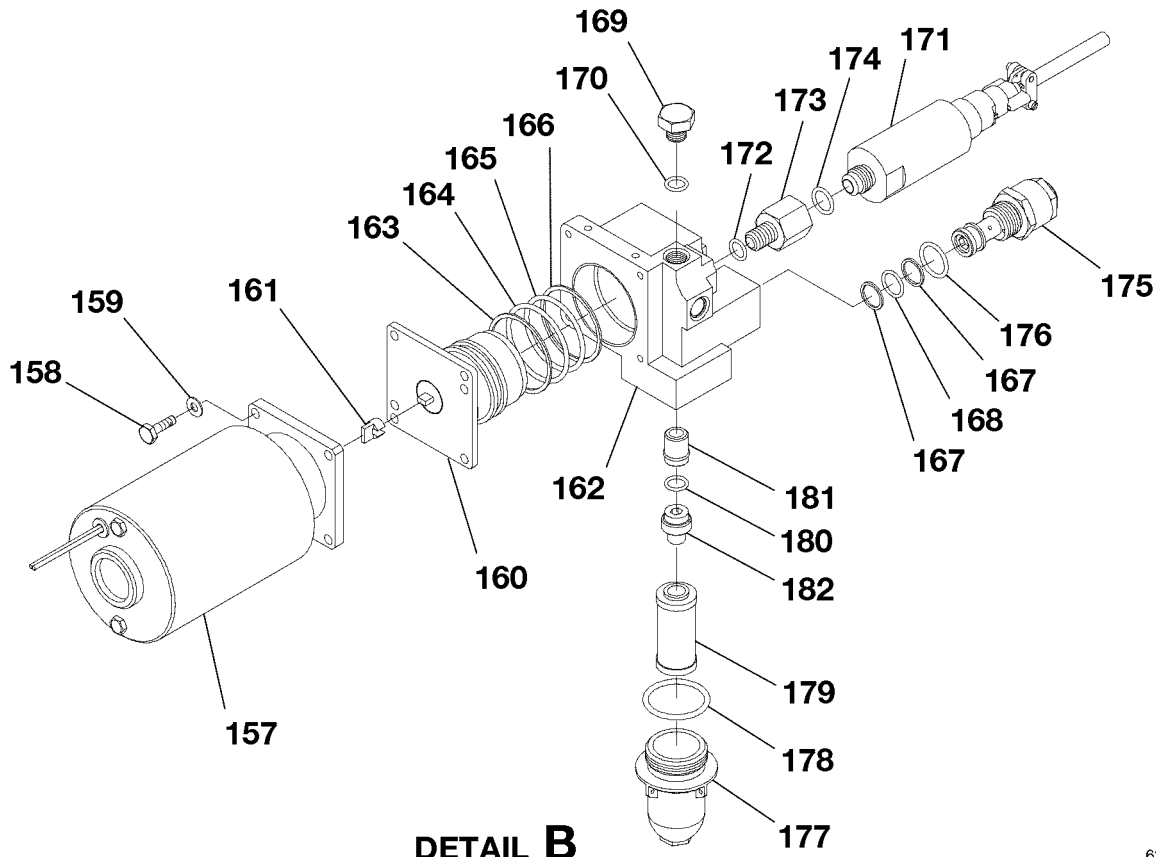
NOTE 1—REFER TO MAINTENANCE MANUAL FOR SUPPLIERS PUBLICATION LIST.

CESSNA®  
**MODEL 525 (SERIALS -0685 AND -0800 AND ON)**  
 ILLUSTRATED PARTS CATALOG

A88293



**DETAIL A**



6310T1168  
 A6347T1016  
 B6347T1017

ANTISKID BRAKE PRESSURIZATION SYSTEM  
 FIGURE 03 (SHEET 3)

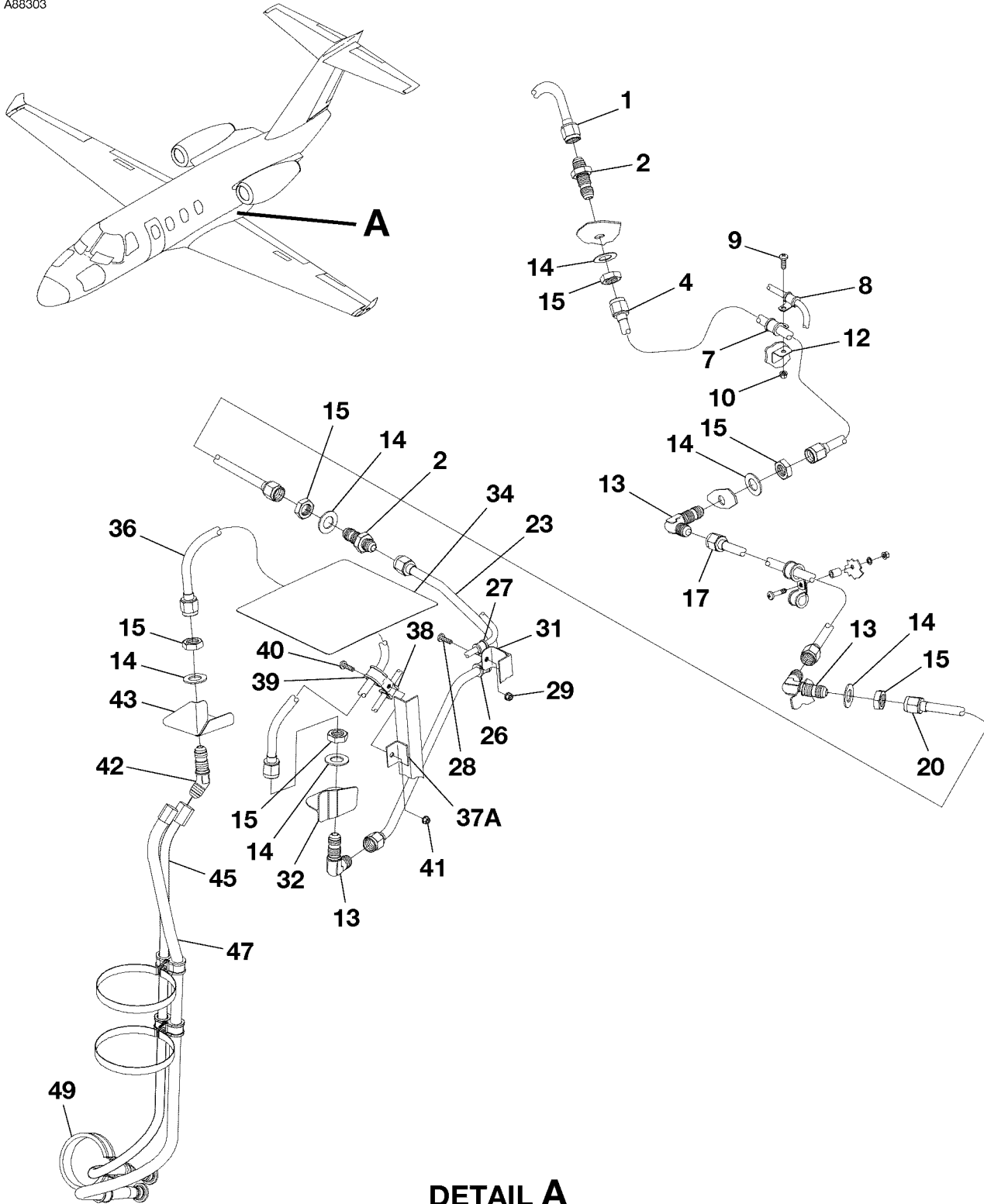
CESSNA®  
**MODEL 525 (SERIALS -0685 AND -0800 AND ON)**  
 ILLUSTRATED PARTS CATALOG

FIG ITEM	PART NUMBER	NOMENCLATURE	UNITS
			PER ASSY
03			
- 150	6517102-11	. POWER PACK ASSY-HYDRAULIC . . . . .	01
		. ATTACHING PARTS	
151	NAS1149D0332K	. WASHER . . . . .	06
152	AN3-3A	. BOLT . . . . .	02
153	MS21919DG50	. CLAMP . . . . .	02
154	AN3-4A	. BOLT . . . . .	02
155	NAS1149F0332P	. WASHER . . . . .	06
156	MS21044N3	. NUT . . . . .	02
		-----	
157	MP50B1	. MOTOR ASSY-HYDRAULIC PUMP . . . . . V0E6H7	01
158	AN3H5A	. BOLT . . . . .	04
159	NAS1149D0332K	. WASHER . . . . .	06
160	9912364-2	. PUMP ASSY-BRAKE PRESSURE . . . . .	01
161	6517108-4	. COUPLING ASSY-PUMP TO MOTOR . . . . .	01
162	6517103-1	. MANIFOLD-HYDRAULIC POWER PACK . . . . .	01
163	MS28774-130	. RETAINER . . . . .	01
164	MS28775-130	. O-RING . . . . .	01
165	MS28775-129	. O-RING . . . . .	01
166	MS28774-129	. RETAINER . . . . .	01
167	MS28774-014	. RETAINER . . . . .	02
168	MS28775-014	. O-RING . . . . .	01
169	AS5169D04L	. PLUG-BLEEDER . . . . .	01
170	MS29512-04	. O-RING . . . . .	01
171	9912373-1	. PRESSURE SWITCH . . . . .	01
172	MS29512-04	. O-RING . . . . .	01
173	MS24398D6-4	. ADAPTER . . . . .	01
174	MS29512-06	. O-RING . . . . .	01
175	1785	. VALVE RELIEF . . . . . V06177	01
176	MS29512-08	. O-RING . . . . .	01
177	9912372-2	. FILTER BOWL . . . . .	01
178	MS28778-16	. O-RING . . . . .	01
179	9912372-1	. FILTER ELEMENT . . . . .	01
180	MS28775-012	. O-RING . . . . .	01
181	C2959S4Q	. CHECK VALVE . . . . . V91816	01
182	6517104-1	. SCREW-FILTER NIPPLE . . . . .	01
183	6517101-2	. SUPPORT-POWER PACK . . . . .	01
184	AN3-3A	. BOLT . . . . .	02
185	6517101-7	. ANGLE . . . . .	01
186	6517101-20	. ANGLE ASSY-INBOARD . . . . .	01
- 187	6517101-22	. ANGLE . . . . .	01
- 188	NAS1033A3	. NUTPLATE . . . . .	01
189	6517101-21	. ANGLE ASSY-OUTBOARD . . . . .	01
- 190	6517101-23	. ANGLE . . . . .	01
- 191	NAS1033A3	. NUTPLATE . . . . .	01
192	6517101-30	. RADIUS BLOCK . . . . .	02
193	6517101-31	. DOUBLER . . . . .	01
194	AS1038W0404	. ELBOW . . . . .	01
195	AN6289D4	. NUT . . . . .	01
196	MS9058-04	. BACK-UP RING . . . . .	01
197	M83248/2-904	. O-RING . . . . .	01

- ITEM NOT ILLUSTRATED

CESSNA®  
MODEL 525 (SERIALS -0685 AND -0800 AND ON)  
ILLUSTRATED PARTS CATALOG

A88303



**DETAIL A**

ANTISKID BRAKE CONTROL SYSTEM - WING  
FIGURE 04 (SHEET 1)

6310T1168  
A6347T1029

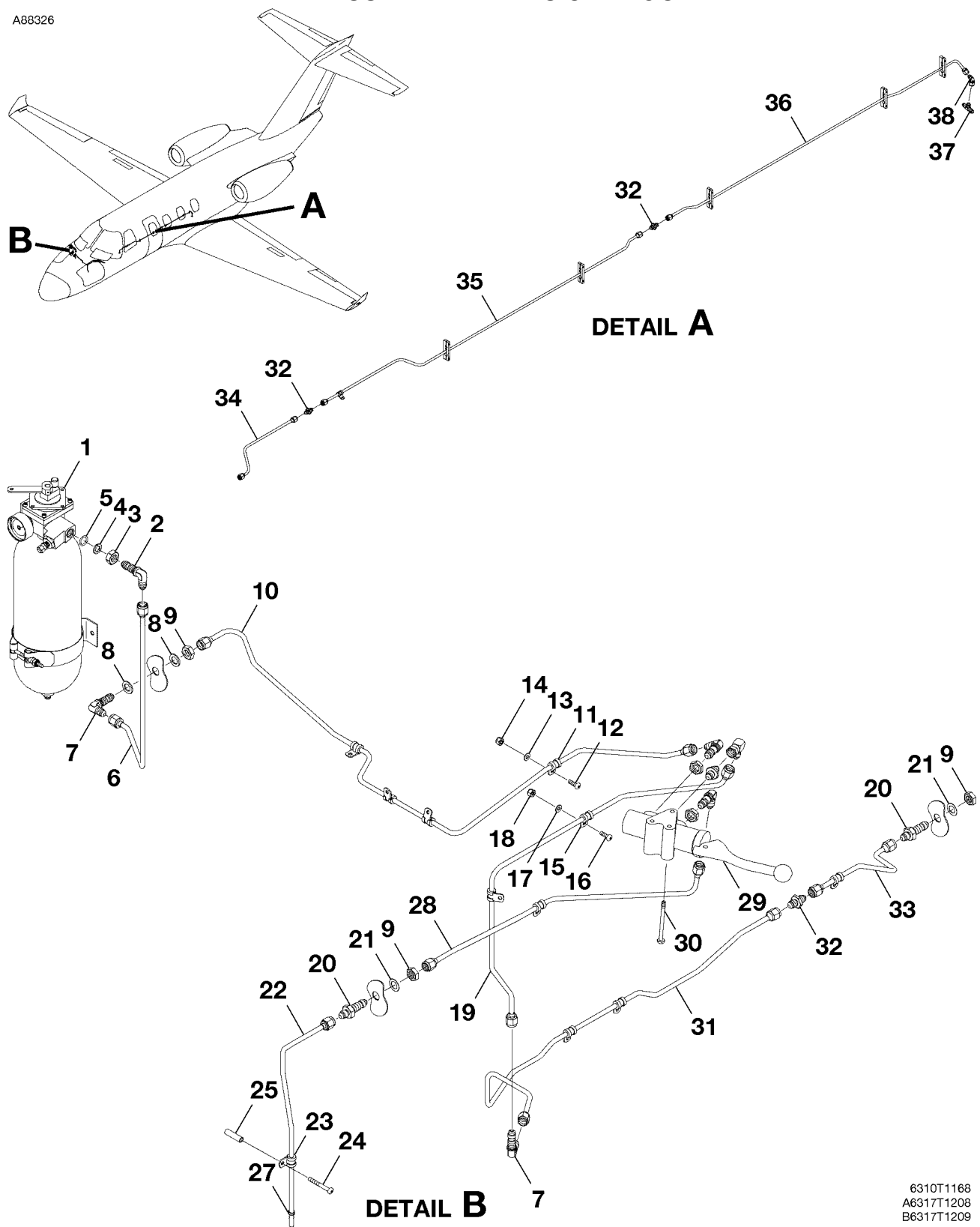
CESSNA®  
**MODEL 525 (SERIALS -0685 AND -0800 AND ON)**  
 ILLUSTRATED PARTS CATALOG

FIG ITEM	PART NUMBER	NOMENCLATURE	UNITS	
			PER	ASSY
		1 2 3 4 5 6 7		
04		ANTISKID BRAKE CONTROL SYSTEM - WING		RF
-		. ANTISKID BRAKE CONTROL SYSTEM-FUSELAGE REFER TO 32-41-00		RF
1		. FIGURE 02 . . . . .		
2	AN832-6D	. UNION . . . . .		02
- 3	6327500-57	. TUBE ASSY-LH HYDRAULIC . . . . .	0800	0804 01
4	6327011-69	. TUBE ASSY-LH HYDRAULIC . . . . .	0805	& ON 01
- 5	6327500-58	. TUBE ASSY-RH HYDRAULIC . . . . .	0800	0804 01
- 6	6327011-72	. TUBE ASSY-RH HYDRAULIC . . . . .	0805	& ON 01 R
7	MS21919WDG6	. CLAMP . . . . .		02
8	MS21919WDG4	. CLAMP . . . . .		02
		ATTACHING PARTS		
9	MS27039-1-09	. SCREW . . . . .		01
10	MS21042-3	. NUT . . . . .		01
		—*—		
- 11	TA4070D0609	. BRACKET . . . . . V84971	0800	0804 02
12	S3001-15	. BRACKET . . . . .	0805	& ON 02
13	AN833-6D	. ELBOW . . . . .		06
14	NAS1149D0963J	. WASHER . . . . .		08
15	AN924-6D	. NUT . . . . .		10
- 16	6327500-9	. TUBE ASSY-LH HYDRAULIC . . . . .	0800	0804 01
17	6327011-47	. TUBE ASSY-LH HYDRAULIC . . . . .	0805	& ON 01
- 18	6327500-10	. TUBE ASSY-RH HYDRAULIC . . . . .	0800	0804 01
- 19	6327011-48	. TUBE ASSY-RH HYDRAULIC . . . . .	0805	& ON 01
20	6327500-13	. TUBE ASSY-LH HYDRAULIC . . . . .		01
- 21	6327500-14	. TUBE ASSY-RH HYDRAULIC . . . . .		01
- 22	6317013-41	. TUBE ASSY-LH HYDRAULIC . . . . .	0800	0804 01
23	6327011-49	. TUBE ASSY-LH HYDRAULIC . . . . .	0805	& ON 01
- 24	6317013-42	. TUBE ASSY-RH HYDRAULIC . . . . .	0800	0804 01
- 25	6327011-50	. TUBE ASSY-RH HYDRAULIC . . . . .	0805	& ON 01
26	MS21919WDG6	. CLAMP . . . . .		02
27	MS21919WDG4	. CLAMP . . . . .		02
		ATTACHING PARTS		
28	MS27039-1-08	. SCREW . . . . .		01
29	MS21042-3	. NUT . . . . .		01
		—*—		
- 30	TA4091D0612	. BRACKET . . . . . V84971	0800	0804 02
31	S3001-19	. BRACKET . . . . .	0805	& ON 02
32	6327500-55	. BRACKET-LH . . . . .		01
- 33	6327500-56	. BRACKET-RH . . . . .		01
34	6327500-61	. RUB PLATE . . . . .		02
- 35	AE3663231G0233	. HOSE ASSY . . . . . V00624	0800	0804 02
36	S3309A0233-000F	. HOSE ASSY . . . . .	0805	& ON 02
- 37	TA4091D0607	. BRACKET . . . . . V84971	0800	0804 02 R
37A	S3001-18	. BRACKET . . . . .	0805	& ON 02 R
38	MS21919WDG7	. CLAMP . . . . .		02 R
39	MS21919WDG9	. CLAMP . . . . .		02 R
		ATTACHING PARTS		
40	MS27039-1-08	. SCREW . . . . .		01 R
41	MS21042-3	. NUT . . . . .		01 R
		—*—		
42	AN837-6D	. ELBOW . . . . .		02
43	6327500-77	. BRACKET-LH . . . . .		01
- 44	6327500-78	. BRACKET-RH . . . . .		01
45	S3309A0260-000E	. HOSE ASSY-LH HYDRAULIC . . . . .		01
- 46	S3309A0265-000F	. HOSE ASSY-RH HYDRAULIC . . . . .		01
47	S3309B0265-000F	. HOSE ASSY-LH HYDRAULIC . . . . .		01
- 48	S3309B0260-000E	. HOSE ASSY-RH HYDRAULIC . . . . . V00624		01
49		. EMERGENCY BRAKE SYSTEM-REFER TO 32-41-00 FIGURE 05 . . . . .		RF

- ITEM NOT ILLUSTRATED

CESSNA®  
**MODEL 525 (SERIALS -0685 AND -0800 AND ON)**  
 ILLUSTRATED PARTS CATALOG

A88326



**DETAIL B**  
 EMERGENCY BRAKE SYSTEM  
 FIGURE 05 (SHEET 1)

6310T1168  
 A6317T1208  
 B6317T1209

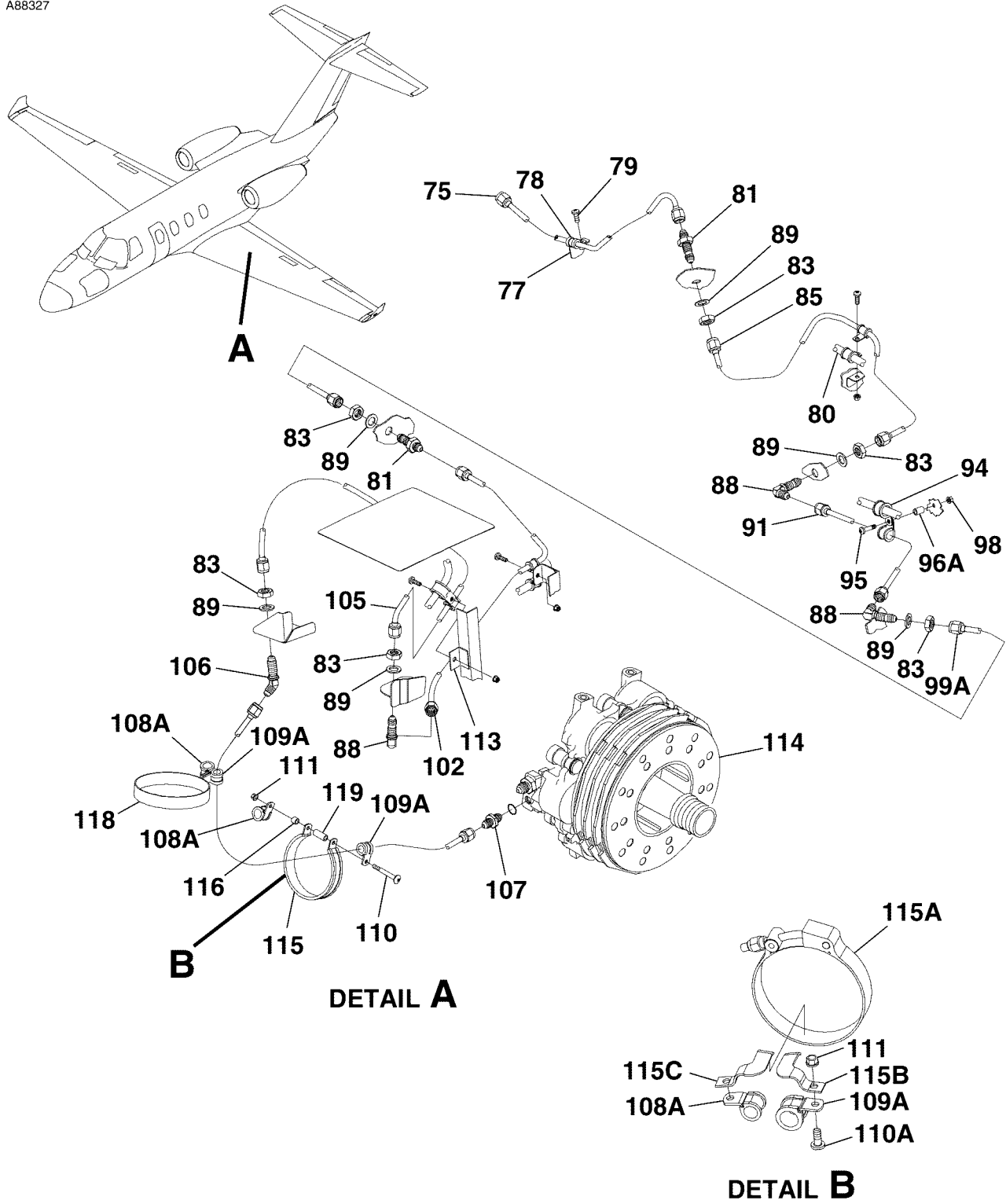
CESSNA®  
**MODEL 525 (SERIALS -0685 AND -0800 AND ON)**  
 ILLUSTRATED PARTS CATALOG

FIG ITEM	PART NUMBER	NOMENCLATURE	UNITS
			PER ASSY
		1 2 3 4 5 6 7	
05		EMERGENCY BRAKE SYSTEM	RF
-		. BOTTLE AND VALVE ASSY-REFER TO 32-30-02 FIGURE 01 . . . . .	RF
1		. ELBOW . . . . .	01
2	AN921-4D	. NUT . . . . .	01
3	AN6289D4	. BACK-UP RING . . . . .	01
4	MS9058-04	. O-RING . . . . .	01
5	M83461/1-012	. TUBE ASSY . . . . .	01
6	6317300-3	. ELBOW . . . . .	02
7	AS1038W0404	. WASHER . . . . .	01
8	NAS1149D0763K	. NUT . . . . .	03
9	AN924-4D	. TUBE ASSY . . . . .	01
10	6317525-11	. CLAMP . . . . .	02
11	MS21919WDG4	. ATTACHING PARTS	
		. SCREW . . . . .	01
12	MS27039-1-10	. WASHER . . . . .	01
13	NAS1149F0332P	. NUT . . . . .	01
14	MS21044N3	. CLAMP . . . . .	01
15	MS21919WDG4	. ATTACHING PARTS	
		. SCREW . . . . .	01
16	MS27039-1-09	. WASHER . . . . .	01
17	NAS1149F0332P	. NUT . . . . .	01
18	MS21044N3	. TUBE ASSY-EXHAUST . . . . .	01
19	6317525-12	. UNION . . . . .	02
20	AN832-4D	. WASHER . . . . .	01
21	NAS1149F0716P	. TUBE ASSY . . . . .	01
22	6317525-14	. CLAMP . . . . .	01
23	MS21919WDG4	. ATTACHING PARTS	
		. SCREW . . . . .	01
24	MS27039-1-26	. SPACER . . . . .	01
25	NAS43DD3-74FC	. SPACER-ALT FOR NAS43DD3-74FC . . . . .	01
- 26	NAS43DD3-74N	. GROMMET . . . . .	01
27	NAS557-4C	. TUBE ASSY . . . . .	01
28	6317525-13	. VALVE-BRAKE ASSY . . . . .	01
29	9912387-5	. ATTACHING PARTS	
		. BOLT . . . . .	03
30	AN3-24A	. TUBE ASSY . . . . .	01
31	6317014-61	. UNION . . . . .	03
32	AS5174D0404	. LINE ASSY . . . . .	01
33	5517005-94	. TUBE ASSY . . . . .	01
34	6317000-39	. TUBE ASSY . . . . .	01
35	6317525-26	. TUBE ASSY . . . . .	01
36	6317525-6	. TUBE ASSY . . . . .	01
37	AN824-4D	. TEE . . . . .	01
38	AS4409D0404	. ELBOW . . . . .	01

- ITEM NOT ILLUSTRATED

CESSNA®  
**MODEL 525 (SERIALS -0685 AND -0800 AND ON)**  
 ILLUSTRATED PARTS CATALOG

A88327



EMERGENCY BRAKE SYSTEM  
 FIGURE 05 (SHEET 2)

6310T1168  
 A6347T1058  
 6327503-1



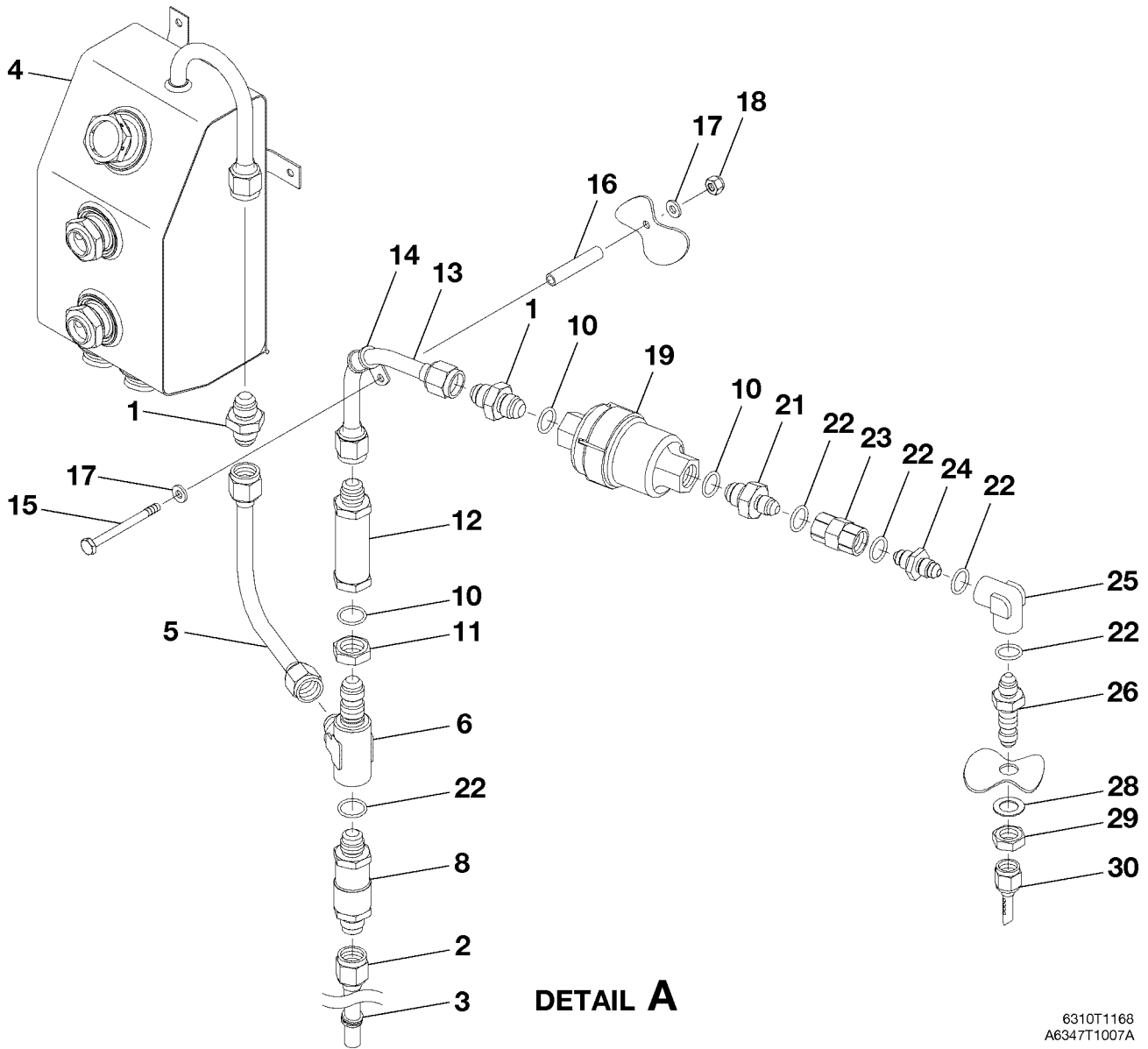
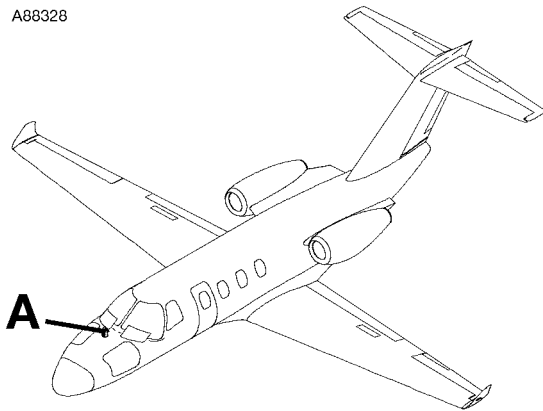
**CESSNA®**  
**MODEL 525 (SERIALS -0685 AND -0800 AND ON)**  
**ILLUSTRATED PARTS CATALOG**

FIG ITEM	PART NUMBER	NOMENCLATURE	UNITS	
			PER	ASSY
05				
75	6317525-27	. TUBE ASSY-LH TEE TO MAIN GEAR . . . . .		01
- 76	6317525-28	. TUBE ASSY-RH TEE TO MAIN GEAR . . . . .		01
77	6357001-23	. BRACKET ASSY . . . . .		01
78	MS21919WDG4	. CLAMP . . . . .		01
		ATTACHING PARTS		
79	MS27039-1-09	. SCREW . . . . .		01
		—*—		
80		. ANTISKID BRAKE CONTROL SYSTEM-WING REFER TO 32-41-00 FIGURE 04 . . . . .		RF
81	AN832-4D	. UNION-BULKHEAD . . . . .		04
- 82	MS24393D4	. UNION-BULKHEAD ALT FOR AN832-4D . . . . .		04
83	AN924-4D	. NUT . . . . .		12
- 84	6327500-59	. TUBE ASSY-LH PNEUMATIC . . . . .	0800	0804 01
85	6327011-41	. TUBE ASSY-LH PNEUMATIC . . . . .	0805	& ON 01
- 86	6327500-60	. TUBE ASSY-RH PNEUMATIC . . . . .	0800	0804 01
- 87	6327011-68	. TUBE ASSY-RH PNEUMATIC . . . . .	0805	& ON 01
88	AS1038W0404	. ELBOW . . . . .		06
89	NAS1149D0763J	. WASHER . . . . .		09
- 90	6327500-7	. TUBE ASSY-LH PNEUMATIC . . . . .	0800	0804 01
91	6327011-43	. TUBE ASSY-LH PNEUMATIC . . . . .	0805	& ON 01
- 92	6327500-8	. TUBE ASSY-RH PNEUMATIC . . . . .	0800	0804 01
- 93	6327011-44	. TUBE ASSY-RH PNEUMATIC . . . . .	0805	& ON 01
94	MS21919WDG4	. CLAMP . . . . .		01
		ATTACHING PARTS		
95	MS27039-1-14	. SCREW . . . . .		01
- 96	NAS43DD3-23FC	. SPACER . . . . .	0800	0804 01
96A	NAS43DD3-18FC	. SPACER . . . . .	0805	& ON 01
- 97	NAS1149D0363J	. WASHER . . . . .		01
98	MS21042-3	. NUT . . . . .		01
		—*—		
- 99	6327500-11	. TUBE ASSY-LH PNEUMATIC FSO 6347320-89 . . . . .	0800	0804 NP
99A	6347320-89	. TUBE ASSY-LH PNEUMATIC . . . . .	0805	& ON 01
- 100	6327500-12	. TUBE ASSY-RH PNEUMATIC FSO 6347320-90 . . . . .	0800	0804 NP
- 100A	6347320-90	. TUBE ASSY-RH PNEUMATIC . . . . .	0805	& ON 01
- 101	6317014-15	. TUBE ASSY-LH PNEUMATIC . . . . .	0800	0804 01
102	6327011-45	. TUBE ASSY-LH PNEUMATIC . . . . .	0805	& ON 01
- 103	6317014-16	. TUBE ASSY-RH PNEUMATIC . . . . .	0800	0804 01
- 104	6327011-46	. TUBE ASSY-RH PNEUMATIC . . . . .	0805	& ON 01
105	AE3663231E0243	. HOSE ASSY-PNEUMATIC . . . . .	V00624	02
106	AN837-4D	. ELBOW . . . . .		02
107	AS5174D0404	. UNION . . . . .		02
- 108	MS21919WDE6	. CLAMP . . . . .	0800	0804 04
108A	MS21919WDG6	. CLAMP . . . . .	0805	& ON 04
- 109	MS21919WDE8	. CLAMP . . . . .	0800	0804 04
109A	MS21919WDG8	. CLAMP . . . . .	0805	& ON 04
110	MS27039-1-26	. SCREW . . . . .	0805	& ON 02 R
110A	MS27039-1-07	. SCREW . . . . .	0930	& ON 02 R
111	MS21042L3	. NUT . . . . .	0805	& ON 02 R
- 112	TA4091D0607	. BRACKET . . . . .	V84971	0800 0804 02
113	S3001-18	. BRACKET . . . . .	0805	& ON 02
114		. BRAKE ASSY-REFER TO 32-40-00 FIGURE 01 . . . . .		RF
115	TA03113D036NB	. CLAMP . . . . .	V84971	0805 0929 02 R
115A	MS21920-24	. CLAMP . . . . .	0930	& ON 01 R
115B	6317014-45	. CLIP . . . . .	0930	& ON 01 R
115C	6317014-46	. CLIP . . . . .	0930	& ON 01 R
116	NAS43DD3-16FC	. SPACER . . . . .	0805	0929 02 R
- 117	NAS43DD3-16N	. SPACER-ALT FOR NAS43DD3-16FC . . . . .		02
118	MS21920-33	. CLAMP . . . . .		02
119	NAS43DD3-48FC	. SPACER . . . . .	0805	0929 02 R
- 120	NAS43DD3-48N	. SPACER-ALT FOR NAS43DD3-48FC . . . . .		02

- ITEM NOT ILLUSTRATED

CESSNA®  
MODEL 525 (SERIALS -0685 AND -0800 AND ON)  
ILLUSTRATED PARTS CATALOG

A88328



**DETAIL A**

BRAKE RESERVOIR PRESSURIZATION SYSTEM  
FIGURE 01 (SHEET 1)

6310T1168  
A6347T1007A

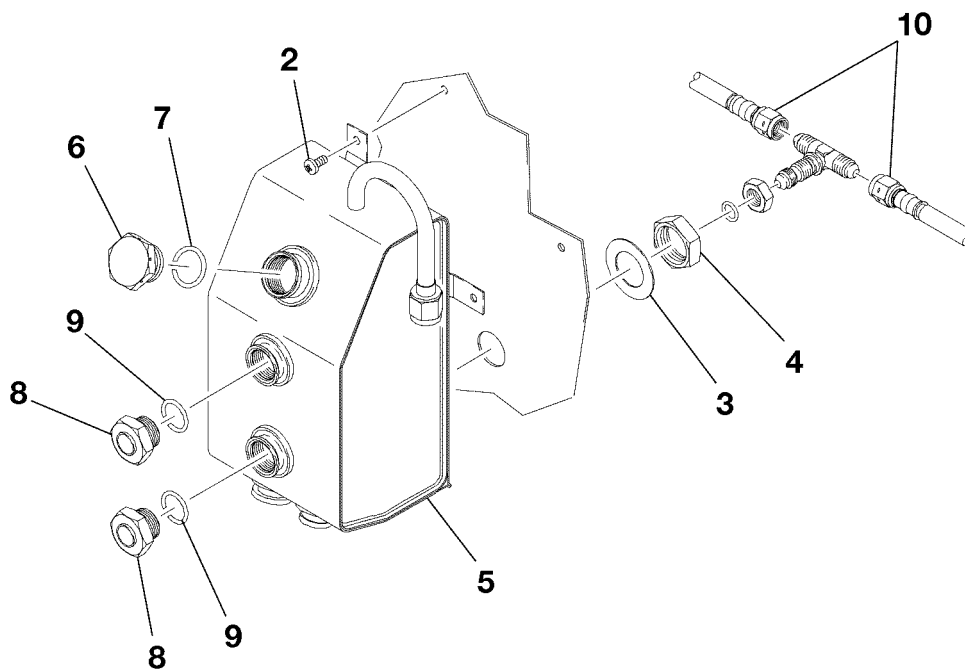
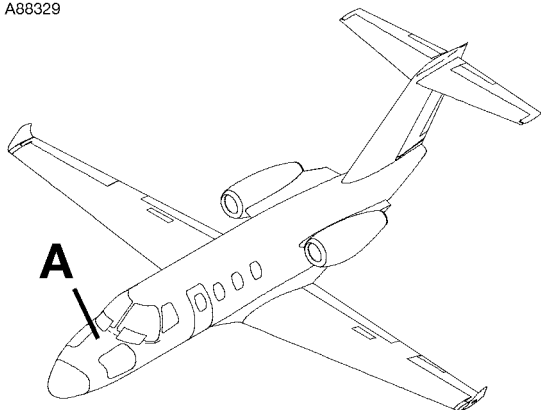
CESSNA®  
**MODEL 525 (SERIALS -0685 AND -0800 AND ON)**  
 ILLUSTRATED PARTS CATALOG

FIG ITEM	PART NUMBER	NOMENCLATURE	UNITS
			PER ASSY
01		BRAKE RESERVOIR PRESSURIZATION SYSTEM	RF
-			
1	AS5174D0606	. UNION . . . . .	02
2	5517011-11	. LINE ASSY . . . . .	01
3	NAS557-6A	. GROMMET . . . . .	01
4		. RESERVOIR ASSY-BRAKE REFER TO 32-41-02 FIGURE 01 . . . . .	RF
5	5517011-10	. LINE ASSY . . . . .	01
6	AN784D6	. TEE . . . . .	01
- 7	MS24389D6	. TEE-ALT FOR AN784D6 . . . . .	01
8	9R3864	. RELIEF VALVE . . . . . V99240	01
- 9	S2800-308	. RELIEF VALVE-ALT FOR 9R3864 . . . . .	01
10	M83461/2-906	. O-RING . . . . .	03
11	AN924-6D	. NUT . . . . .	01
12	CV02-267	. CHECK VALVE . . . . . V91816	01
13	5517011-12	. TUBE ASSY . . . . .	01
14	MS21919WDG6	. CLAMP . . . . . V84971	01
		ATTACHING PARTS	
15	AN3-22A	. BOLT . . . . .	01
16	NAS43DD3-103FC	. SPACER . . . . .	01
17	NAS1149F0363P	. WASHER . . . . .	02
18	MS21044N3	. NUT . . . . .	01
		—*—	
19	AN6240-1	. FILTER-VENT . . . . .	01
- 20	AN6237-1	. . . ELEMENT-FILTER . . . . .	01
21	AS5174D0604	. UNION . . . . .	01
22	M83461/2-904	. O-RING . . . . .	05
23	NAS424-4D	. COUPLING . . . . .	01
24	AS5174D0404	. UNION . . . . .	01
25	AN939D4	. ELBOW . . . . .	01
26	AN832-4D	. UNION . . . . .	01
- 27	MS24393D4	. UNION-ALT FOR AN832-4D . . . . .	01
28	NAS1149D0732K	. WASHER . . . . .	01
29	AN924-4D	. NUT . . . . .	01
30	5617115-1	. TUBE ASSY . . . . .	01

- ITEM NOT ILLUSTRATED

CESSNA®  
**MODEL 525 (SERIALS -0685 AND -0800 AND ON)**  
ILLUSTRATED PARTS CATALOG

A88329



**DETAIL A**

RESERVOIR ASSEMBLY - BRAKE FLUID  
FIGURE 01 (SHEET 1)

6310T1168  
A6347T1007

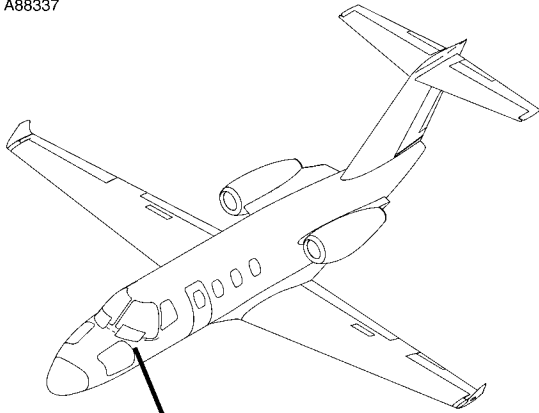
CESSNA®  
**MODEL 525 (SERIALS -0685 AND -0800 AND ON)**  
 ILLUSTRATED PARTS CATALOG

FIG ITEM	PART NUMBER	NOMENCLATURE	UNITS
			PER ASSY
01			
-		RESERVOIR ASSEMBLY - BRAKE FLUID	RF
- 1	6517100-20	. RESERVOIR ASSY-BRAKE . . . . .	01
		ATTACHING PARTS	
2	MS27039-1-06	. SCREW . . . . .	02
3	NAS1149D1490K	. WASHER . . . . .	01
4	AS5178W10	. NUT . . . . .	01
		—*—	
5	6517100-18	. . RESERVOIR WELD ASSY . . . . .	01
6	AS5169D10L	. . PLUG/BLEEDER . . . . .	01
7	S3278C10	. . O-RING . . . . .	01
8	S-53FC	. . SIGHT GAUGE . . . . . V97484	02
9	MS28778-8	. . O-RING . . . . .	02
10		. ANTISKID BRAKE CONTROL SYSTEM-NOSE-REFER TO 32-41-00 FIGURE 01 . . . . .	RF

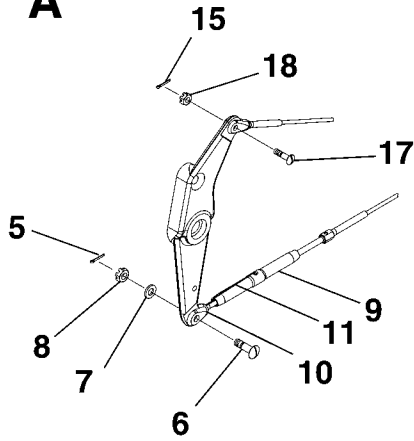
- ITEM NOT ILLUSTRATED

CESSNA®  
**MODEL 525 (SERIALS -0685 AND -0800 AND ON)**  
 ILLUSTRATED PARTS CATALOG

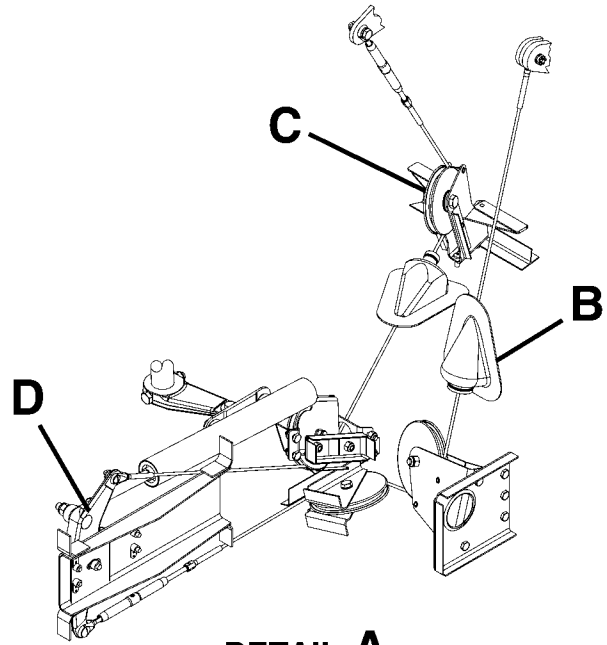
A88337



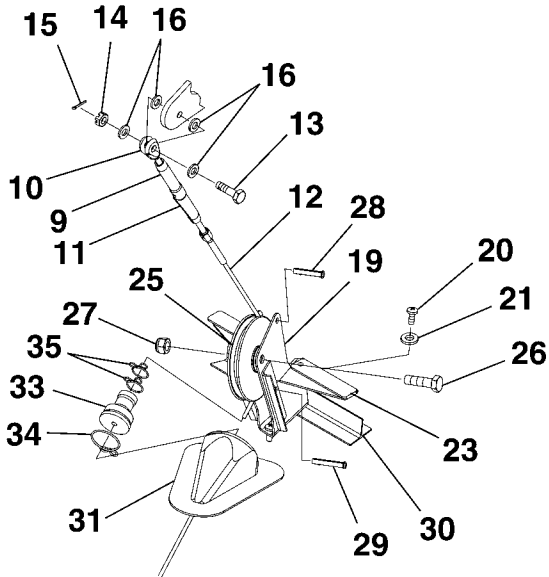
**A**



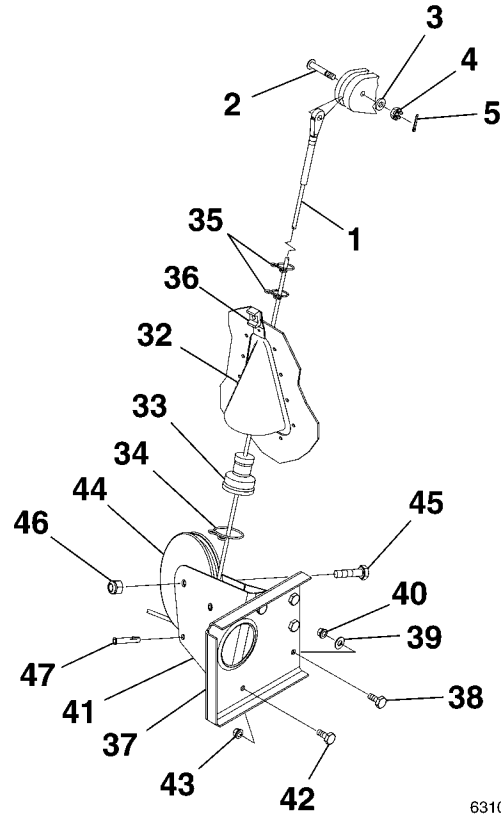
**DETAIL D**



**DETAIL A**



**DETAIL C**



**DETAIL B**

NOSE WHEEL STEERING SYSTEM  
 FIGURE 01 (SHEET 1)

6310T1168  
 A6342T1060  
 B6342T1060  
 C6342T1060

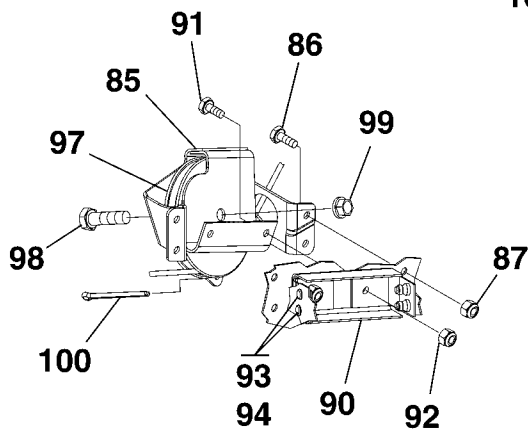
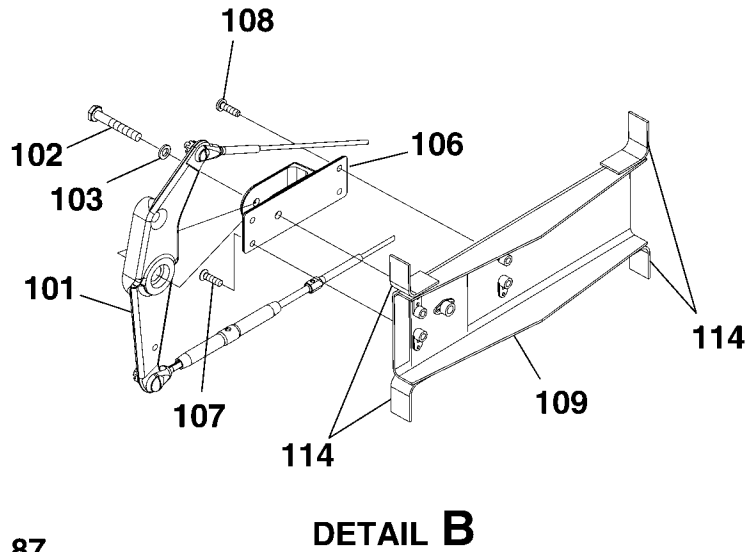
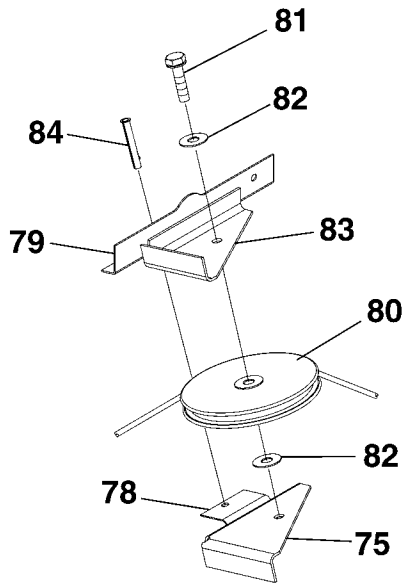
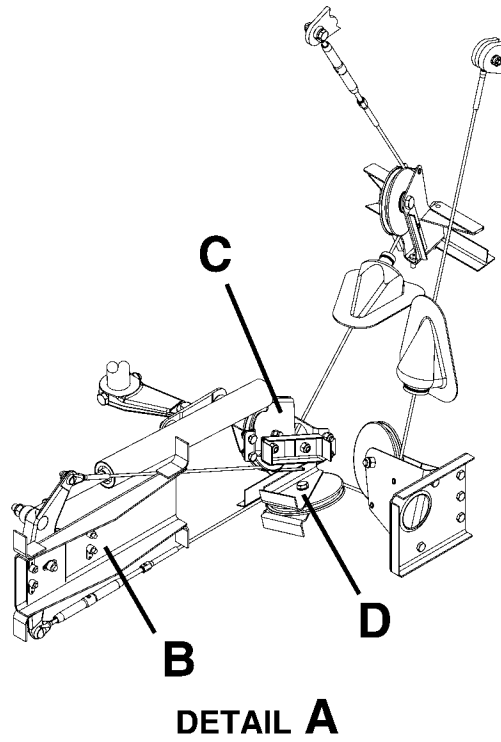
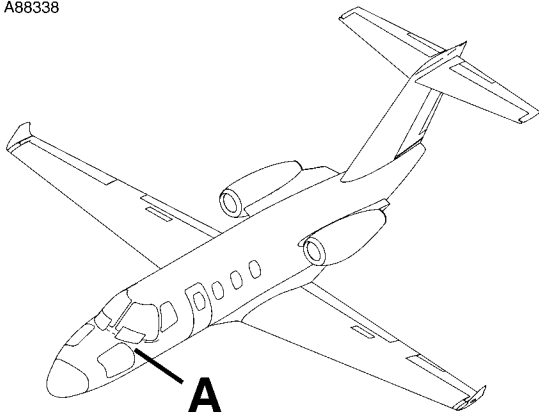
CESSNA®  
**MODEL 525 (SERIALS -0685 AND -0800 AND ON)**  
 ILLUSTRATED PARTS CATALOG

FIG ITEM	PART NUMBER	NOMENCLATURE	UNITS
			PER ASSY
01		NOSE WHEEL STEERING SYSTEM	RF
-		. CABLE ASSY-LOWER	01
1	6360518-8	. ATTACHING PARTS	
2	AN23-17	. BOLT-AFT	01
3	NAS1149F0363P	. WASHER-AFT	AR
4	MS17826-3	. NUT-AFT	01
5	MS24665-132	. COTTER PIN	02
6	AN24-13	. BOLT-FWD	01
7	NAS1149F0463P	. WASHER-AFT	AR
8	MS17826-4	. NUT-FWD	01
		—*—	
9	MS21251B5L	. TURNBUCKLE BODY	02
10	MS21252-5LS	. CLEVIS END	02
11	MS21256-1	. CLIP	04
12	6360518-7	. CABLE ASSY-UPPER	01
		. ATTACHING PARTS	
13	AN4-7	. BOLT-AFT	01
14	MS17826-4	. NUT-AFT	01
15	MS24665-132	. COTTER PIN	02
16	NAS1149F0463P	. WASHER	04
17	AN23-11	. BOLT-FWD	01
18	MS17826-3	. NUT-FWD	01
		—*—	
19	5565618-22	. BRACKET ASSY	01
		. ATTACHING PARTS	
20	MS27039-1-07	. SCREW	03
21	NAS1149D0516J	. WASHER-AFT	01
		—*—	
- 22	5565618-25	. STIFFENER-ANGLE	02
23	6311410-3	. CLIP ASSY-LH	01
- 24	6311410-2	. CLIP ASSY-RH	01
25	MS20220-2	. PULLEY	01 R
		. ATTACHING PARTS	
26	AN5-10A	. BOLT	01 R
27	MS21044N5	. NUT	01 R
		—*—	
28	NAS427K13	. PIN-UPPER	01 R
29	NAS427K15	. PIN-LOWER	01 R
30	5565618-24	. STIFFENER	01 R
31	5565618-20	. COVER-CABLE SEAL	01 R
32	5565618-11	. COVER-CABLE SEAL	01 R
33	S11K4R	. SEAL-CABLE	02 R
34	S11L-162C	. SPRING	02 R
35	S11L-161C	. RING	04 R
36	S3529-1A1	. ANCHOR ASSY	01 R
37	5565618-51	. SUPPORT-PULLEY BRACKET	01 R
		. ATTACHING PARTS	
38	AN3-3A	. BOLT	03 R
39	NAS1149F0332P	. WASHER	03 R
40	MS21042L3	. NUT	03 R
		—*—	
41	5565618-43	. BRACKET-PULLEY	01 R
		. ATTACHING PARTS	
42	AN3-3A	. BOLT	02 R
43	MS21042L3	. NUT	02 R
		—*—	
44	S378-4	. PULLEY	01 R
		. ATTACHING PARTS	
45	AN4-10A	. BOLT	01 R
46	MS21044N4	. NUT	01 R
		—*—	
47	NAS427K11	. PIN-CABLE GUARD	02 R

- ITEM NOT ILLUSTRATED

CESSNA®  
**MODEL 525 (SERIALS -0685 AND -0800 AND ON)**  
 ILLUSTRATED PARTS CATALOG

A88338



NOSE WHEEL STEERING SYSTEM  
 FIGURE 01 (SHEET 2)

6310T1168  
 A6342T1060  
 B6342T1060  
 C6342T1060



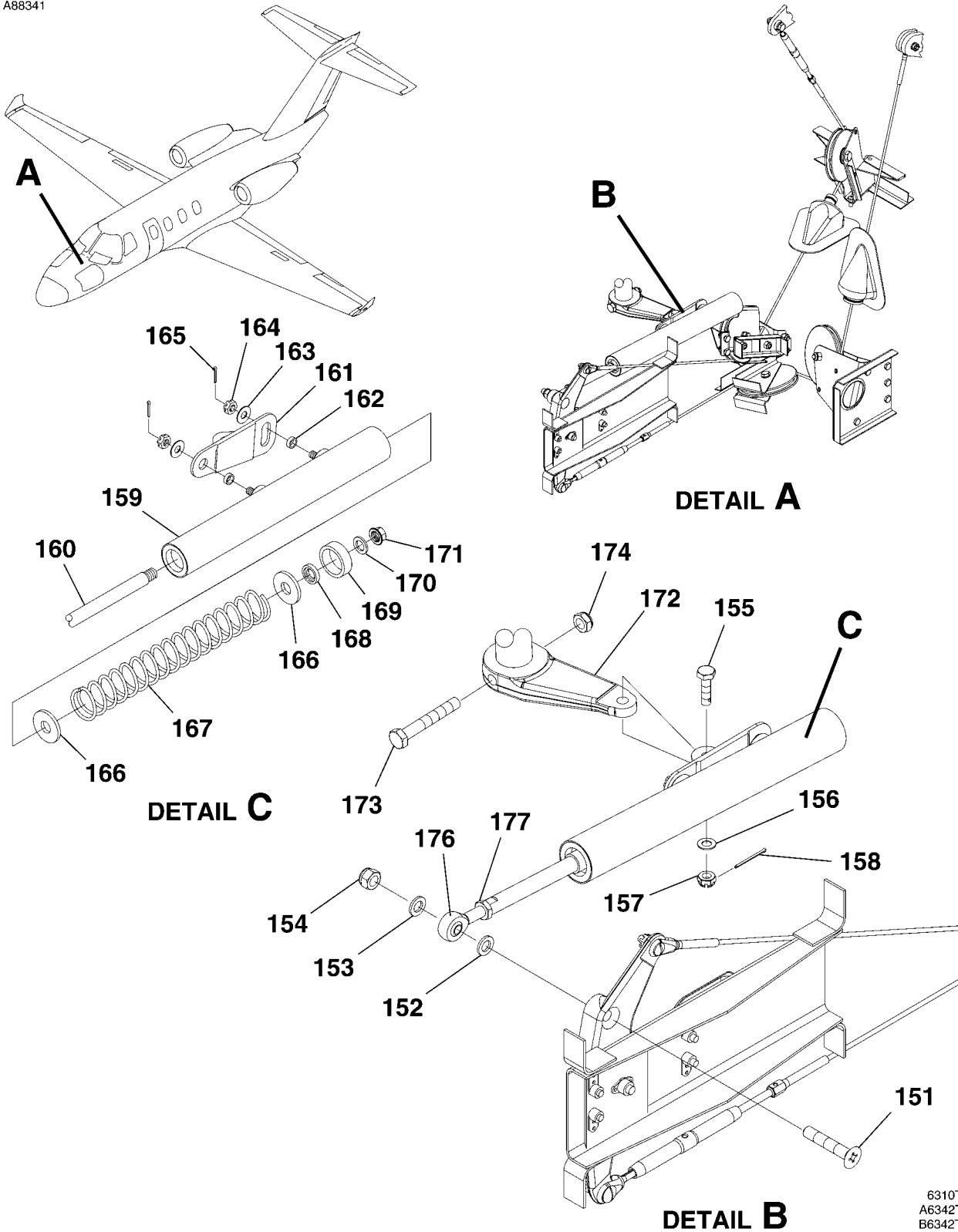
CESSNA®  
**MODEL 525 (SERIALS -0685 AND -0800 AND ON)**  
 ILLUSTRATED PARTS CATALOG

FIG ITEM	PART NUMBER	NOMENCLATURE	UNITS	
			PER	ASSY
01				
75	5565618-38	. BRACKET ASSY-PULLEY MOUNT . . . . .		01
- 76	5565618-39	. . PULLEY BRACKET . . . . .		01
- 77	MS21069L4	. . NUTPLATE . . . . .		01
78	5565618-17	. . CLIP . . . . .		01
79	6360518-9	. STIFFENER FSO 6360518-10 . . . . .	0800	0993 NP R
- 79A	6360518-10	. STIFFENER . . . . .	0994	& ON 01 R
80	S378-4	. PULLEY . . . . .		01
		ATTACHING PARTS		
81	AN4-10A	. BOLT . . . . .		01
82	NAS1149F0432P	. WASHER . . . . .		02
		—*—		
83	5565618-40	. BRACKET-PULLEY . . . . .		01
84	NAS427K16	. PIN-CABLE GUARD . . . . .		01
85	6360518-2	. BRACKET ASSY-PULLEY . . . . .		01
		ATTACHING PARTS		
86	AN3-4A	. BOLT . . . . .		04
87	MS21044N3	. NUT . . . . .		04
		—*—		
- 88	6360518-3	. . BRACKET . . . . .		01
- 89	6360518-4	. . BRACKET . . . . .		01
90	5565618-60	. STIFFENER ASSY . . . . .		01
		ATTACHING PARTS		
91	AN3-3A	. BOLT . . . . .		02
92	MS21044N3	. NUT . . . . .		02
93	HL10VBJ5-3	. PIN-HI-LOK . . . . .	V73197	04
94	HL70-5	. COLLAR-HI-LOK . . . . .	V73197	04
- 94A	S3191-08	. NUT ALT FOR HL70-5 . . . . .		04 R
		—*—		
- 95	5565618-26	. . STIFFENER . . . . .		01 R
- 96	5565618-61	. . CLIP . . . . .		02 R
97	MS20220-2	. PULLEY . . . . .		01 R
		ATTACHING PARTS		
98	AN5-10A	. BOLT . . . . .		01 R
99	MS21042L5	. NUT . . . . .		01 R
		—*—		
100	MS24665-355	. COTTER PIN-CABLE GUARD . . . . .		01 R
101	5565626-1	. BELLCRANK ASSY . . . . .		01 R
		ATTACHING PARTS		
102	NAS6604-20	. BOLT . . . . .		01 R
103	NAS1149F0463P	. WASHER-AFT . . . . .		AR R
		—*—		
- 104	MS20201KP4A	. . BEARING . . . . .		02 R
- 104A	MS27641-4	. . BEARING ALT FOR MS20201KP4A . . . . .		02 R
- 105	5565620-3	. . SPACER . . . . .		01 R
106	5565621-1	. SUPPORT-BELLCRANK . . . . .		01 R
		ATTACHING PARTS		
107	MS24694-S52	. SCREW . . . . .		02 R
108	MS27039-1-10	. SCREW . . . . .		02 R
		—*—		
109	5565618-30	. STIFFENER ASSY . . . . .		01 R
- 110	5565618-32	. . STIFFENER . . . . .		01 R
- 111	5565618-29	. . DOUBLER . . . . .		01 R
- 112	MS21069L4	. . NUTPLATE . . . . .		01 R
- 113	MS21072L3	. . NUTPLATE . . . . .		04 R
114	5565618-31	. CLIP . . . . .		04 R

- ITEM NOT ILLUSTRATED

CESSNA®  
**MODEL 525 (SERIALS -0685 AND -0800 AND ON)**  
 ILLUSTRATED PARTS CATALOG

A88341



NOSE WHEEL STEERING SYSTEM  
 FIGURE 01 (SHEET 3)

6310T1168  
 A6342T1060  
 B6342T1060  
 C6342T1060

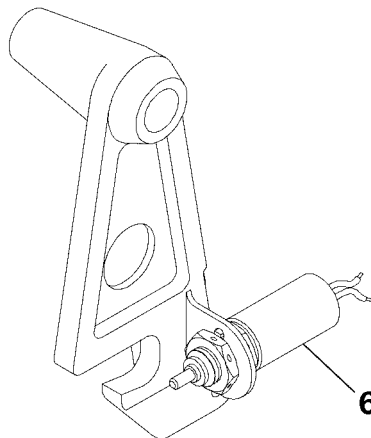
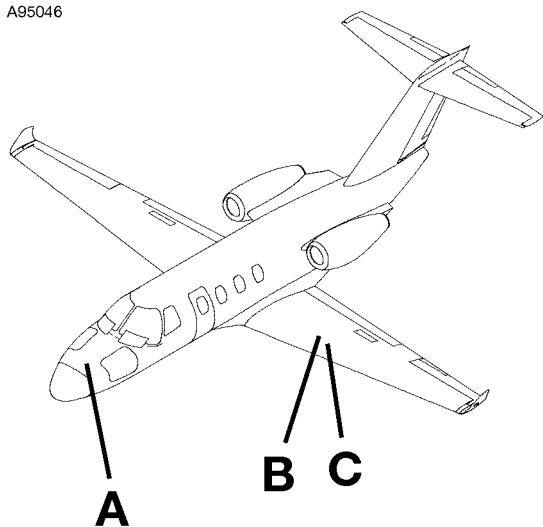
CESSNA®  
**MODEL 525 (SERIALS -0685 AND -0800 AND ON)**  
 ILLUSTRATED PARTS CATALOG

FIG ITEM	PART NUMBER	NOMENCLATURE	UNITS
			PER ASSY
01			
- 150	6364010-1	. BUNGEE ASSY . . . . .	01
		. ATTACHING PARTS . . . . .	
151	NAS517-5-20	. SCREW . . . . .	01
152	NAS1149F0532P	. WASHER-AFT . . . . .	AR
153	NAS1149F0563P	. WASHER-AFT . . . . .	AR
154	MS21044N5	. NUT . . . . .	01
155	AN4-7	. BOLT . . . . .	01
156	NAS1149F0432P	. WASHER-AFT . . . . .	AR
157	AN310-4	. NUT . . . . .	01
158	MS24665-210	. COTTER PIN . . . . .	01
		—*—	
159	5565624-25	. TUBE ASSY-WELD . . . . .	01
160	5565624-21	. PUSH ROD ASSY-WELD . . . . .	01
161	5565627-1	. FITTING . . . . .	01
162	6364010-2	. SPACER . . . . .	02
163	S1450-4H10-032	. WASHER . . . . .	02
164	MS17826-4	. NUT . . . . .	02
165	MS24665-132	. COTTER PIN . . . . .	02
166	5565624-12	. WASHER . . . . .	02
167	5565623-7	. SPRING . . . . .	01
168	5565624-10	. SPACER . . . . .	01
169	5565624-6	. STOP . . . . .	01
170	NAS1149F0632P	. WASHER-AFT . . . . .	AR
171	MS21042-6	. NUT . . . . .	01
172	5565619-6	. ARM ASSY FSO 7161600-29 . . . . .	NP
- 172A	7161600-29	. ARM ASSY FOR SPARES ONLY . . . . .	01
		. ATTACHING PARTS . . . . .	
173	NAS464P5LA28	. BOLT . . . . .	01
174	MS21083N5	. NUT . . . . .	01
		—*—	
- 175	5565619-3	. BUSHING . . . . .	01
176	BRE5380	. ROD END FSO AM5M5 . . . . . V81376	NP
- 176A	AM5M5	. ROD END BEARING FOR SPARES ONLY . . . . . V56644	01 R
177	AN316C5R	. NUT . . . . .	01 R

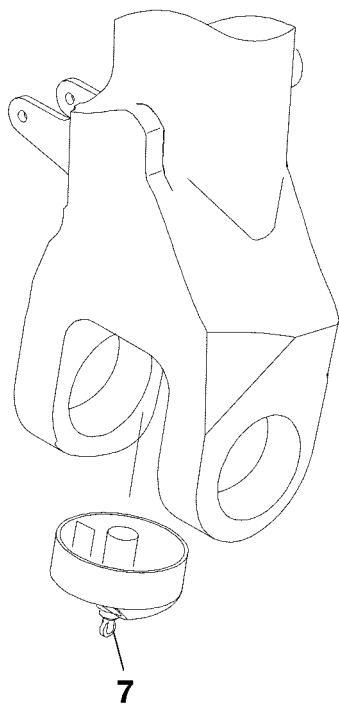
- ITEM NOT ILLUSTRATED

CESSNA®  
MODEL 525 (SERIALS -0685 AND -0800 AND ON)  
ILLUSTRATED PARTS CATALOG

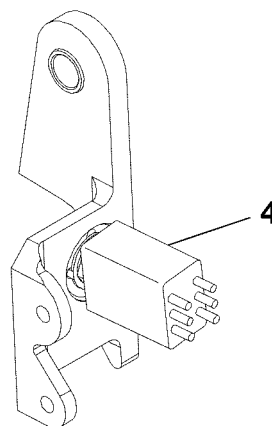
A95046



**DETAIL A**



**DETAIL C**



**DETAIL B**

LANDING GEAR POSITION AND WARNING SYSTEM  
FIGURE 01 (SHEET 1)

6310T1168  
A-C6327T501

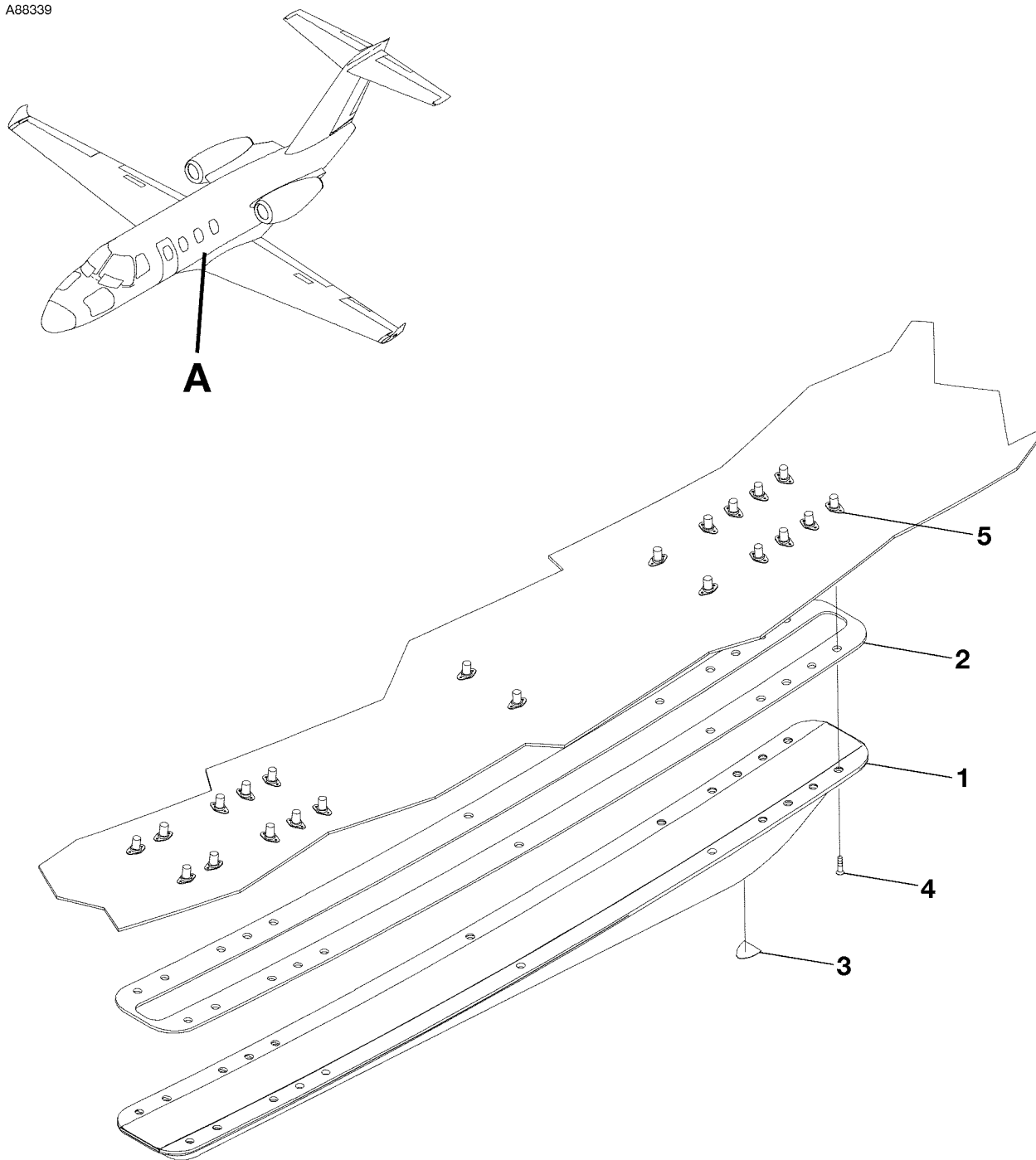
CESSNA®  
**MODEL 525 (SERIALS -0685 AND -0800 AND ON)**  
 ILLUSTRATED PARTS CATALOG

FIG ITEM	PART NUMBER	NOMENCLATURE	UNITS PER ASSY
	1 2 3 4 5 6 7		
01		LANDING GEAR POSITION AND WARNING SYSTEM	RF R
-			
- 1	6308533-3	. WIRE ASSY-LH GEAR MONITORING SYSTEM . . . . .	01 R
- 2	6308533-7	. WIRE ASSY-RH GEAR MONITORING SYSTEM . . . . .	01 R
- 3	6308533-4	. WIRE ASSY-NOSE GEAR MONITORING SYSTEM . . . . .	01 R
4	65-430087	. . SWITCH-LH GEAR UP AND LOCKED SG006 . . . . . V04426	01 R
- 5	65-430087	. . SWITCH-RH GEAR UP AND LOCKED SG004 . . . . . V04426	01 R
6	65-430087	. . SWITCH-NOSE GEAR UP AND LOCKED SN001 . . . . . V04426	01 R
7	S3176-2	. SWITCH-LH SQUAT SWITCH SG001 . . . . .	01 R
- 8	S3176-2	. SWITCH-RH SQUAT SWITCH SG002 . . . . .	01 R

- ITEM NOT ILLUSTRATED

CESSNA®  
MODEL 525 (SERIALS -0685 AND -0800 AND ON)  
ILLUSTRATED PARTS CATALOG

A88339



**DETAIL A**

SKID RAIL - CENTER WING  
FIGURE 01 (SHEET 1)

6310T1168  
A6341T1049

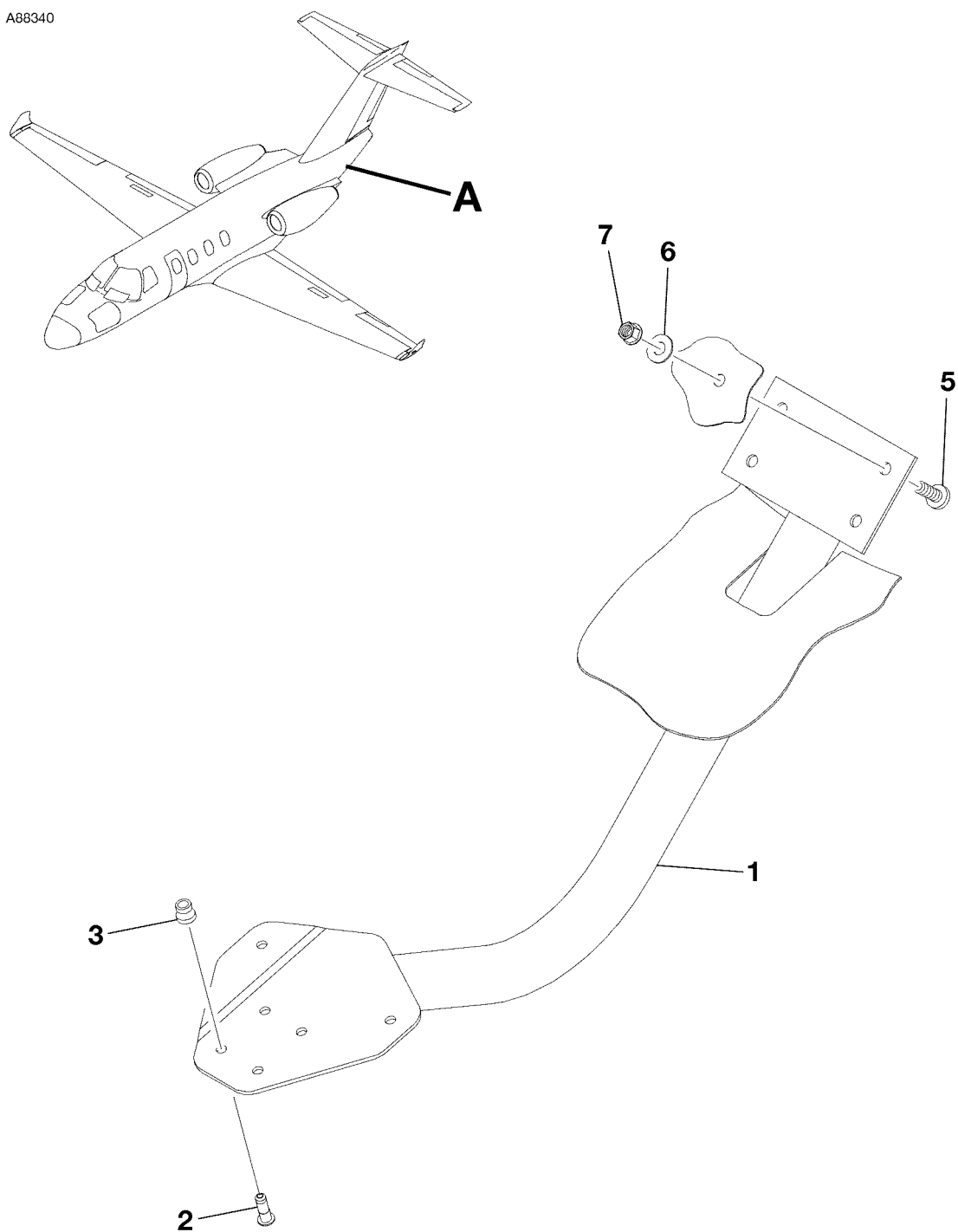
CESSNA®  
**MODEL 525 (SERIALS -0685 AND -0800 AND ON)**  
 ILLUSTRATED PARTS CATALOG

FIG ITEM	PART NUMBER	NOMENCLATURE	UNITS
			PER ASSY
01			
-		SKID RAIL - CENTER WING	RF
1	6322009-3	. SKID RAIL ASSY . . . . .	01
2	6322008-4	. GASKET . . . . .	01
3	6321007-4	. GROMMET . . . . .	01
4	NAS333CPA6	. BOLT . . . . .	20
5	NAS1473A3K	. NUTPLATE . . . . .	20

- ITEM NOT ILLUSTRATED

CESSNA®  
MODEL 525 (SERIALS -0685 AND -0800 AND ON)  
ILLUSTRATED PARTS CATALOG

A88340



**DETAIL A**

TAIL SKID INSTALLATION  
FIGURE 02 (SHEET 1)

6310T1168  
A6312T1002



CESSNA®  
**MODEL 525 (SERIALS -0685 AND -0800 AND ON)**  
 ILLUSTRATED PARTS CATALOG

FIG ITEM	PART NUMBER	1 2 3 4 5 6 7	NOMENCLATURE	UNITS PER ASSY
02				
-			TAIL SKID INSTALLATION	RF
1	6312085-13		. WELD ASSY-TAIL SKID . . . . .	01
			ATTACHING PARTS	
2	HL10VBJ5-3		. PIN-HILOK . . . . . V73197	06
3	HL70-5		. COLLAR-HILOK . . . . . V73197	06
- 4	S3191-08		. NUT-ALT FOR HL70-5 . . . . .	06
5	MS27039-1-08		. SCREW . . . . .	04
6	NAS1149F0332P		. WASHER . . . . .	04
7	MS21042L3		. NUT . . . . .	04
			—*—	

- ITEM NOT ILLUSTRATED



**CHAPTER**

**33**

**LIGHTS**



CESSNA®  
**MODEL 525 (SERIALS -0685 AND -0800 AND ON)**  
 ILLUSTRATED PARTS CATALOG

<b>CHAPTER SECTION SUBJECT</b>		<b>NUMBER OF PAGES</b>	<b>DATE</b>
33 - TITLE			
33 - LIST OF EFFECTIVE PAGES			
33 - RECORD OF TEMPORARY REVISIONS			
33 - TABLE OF CONTENTS			
33-00-00	Figure 01	2	Nov 1/2013
33-10-00	Figure 01	4	Jul 1/2014
33-10-00	Figure 02	2	Nov 1/2013
33-10-00	Figure 03	2	Nov 1/2013
33-10-01	Figure 01	2	Dec 1/2017
33-20-00	Figure 01	2	Nov 1/2013
33-20-00	Figure 02	2	Dec 1/2017
33-30-00	Figure 01	2	Nov 1/2013
33-30-00	Figure 02	2	Nov 1/2013
33-40-00	Figure 01	2	Jun 1/2017
33-40-00	Figure 02	2	Nov 1/2013
33-40-00	Figure 03	2	Nov 1/2013
33-40-00	Figure 04	2	Nov 1/2013
33-40-01	Figure 01	2	Nov 1/2013
33-50-00	Figure 01	2	Nov 1/2013
33-50-00	Figure 02	2	Nov 1/2013







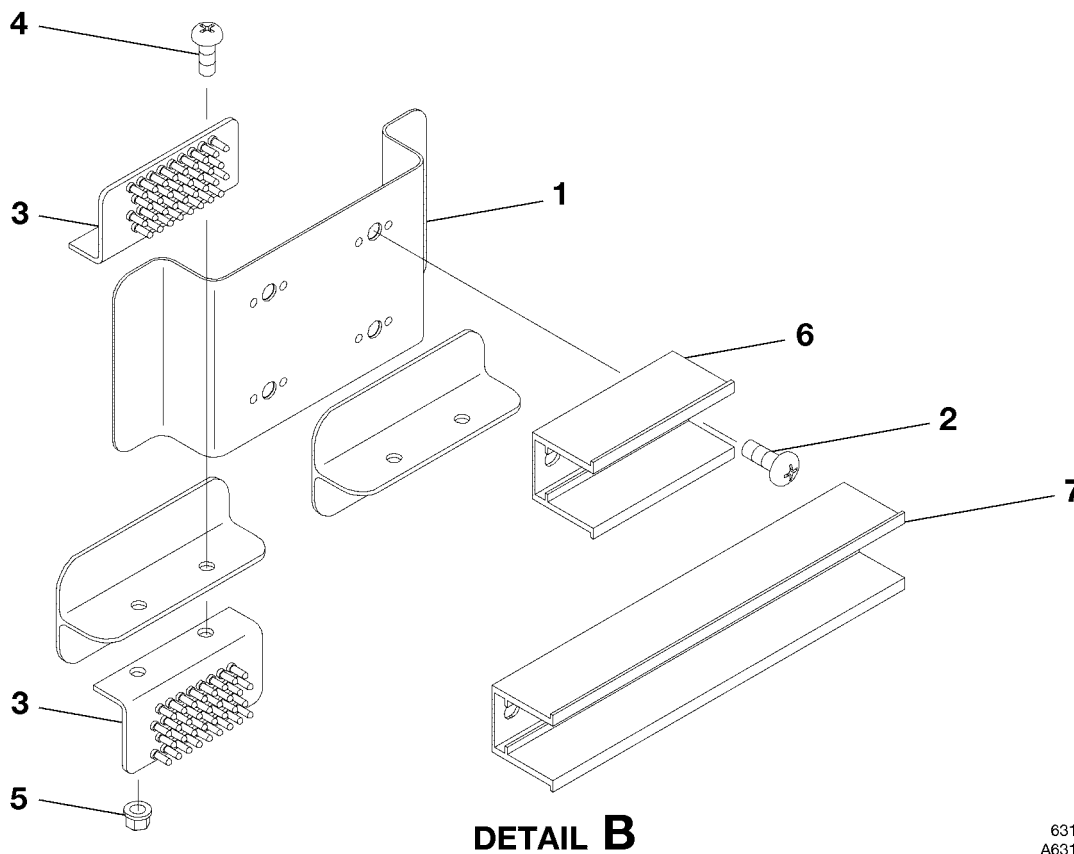
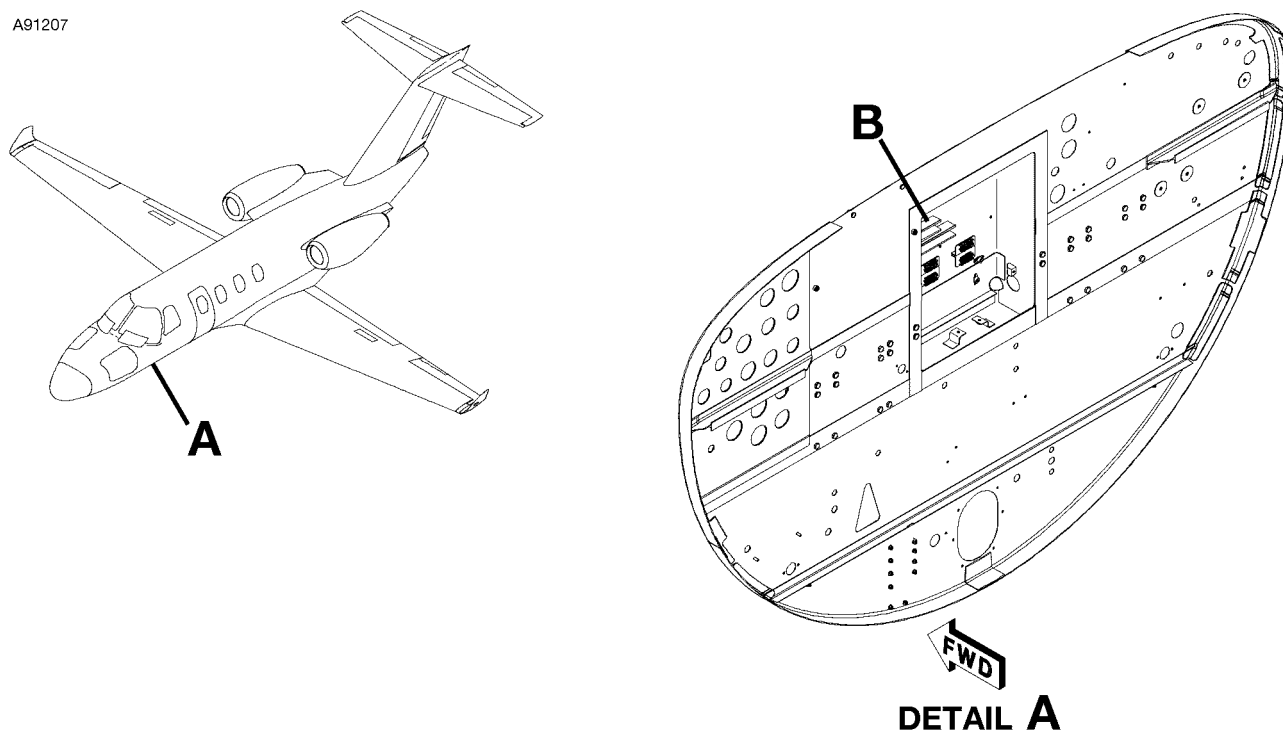


CESSNA®  
**MODEL 525 (SERIALS -0685 AND -0800 AND ON)**  
 ILLUSTRATED PARTS CATALOG

<u>SUBJECT</u>	<u>CHAPTER</u>	<u>FIGURE</u>	<u>EFFECTIVITY</u>	
	<u>SECTION</u>		<u>START</u>	<u>END</u>
	<u>SUBJECT</u>			
LIGHTING DISTRIBUTION PANEL	33-00-00	01		
LIGHT - EMITTING DIODE PANELS	33-10-00	01		
WINDSHIELD ICE DETECTION LIGHT	33-10-00	02		
DIMMER - PANEL LIGHTS	33-10-00	03		
OVERHEAD LIGHTING - FLIGHT COMPARTMENT	33-10-01	01		
LIGHTING - PASSENGER COMPARTMENT OVERHEAD	33-20-00	01		
LIGHTED SIGNS - CABIN	33-20-00	02		
LIGHTING - NOSE BAGGAGE COMPARTMENT	33-30-00	01		
LIGHTING - TAILCONE COMPARTMENT	33-30-00	02		
LIGHTING - LANDING	33-40-00	01		
LIGHTING - NAVIGATION AND TAIL	33-40-00	02		
FLOOD LIGHT INSTALLATION - TAIL	33-40-00	03		
LIGHTING - INSPECTION AND RECOGNITION	33-40-00	04		
WINGLET LIGHT INSTALLATION	33-40-01	01		
LIGHTING SYSTEM - EMERGENCY	33-50-00	01		
LIGHTING - ESCAPE HATCH OVERWING	33-50-00	02		

CESSNA®  
MODEL 525 (SERIALS -0685 AND -0800 AND ON)  
ILLUSTRATED PARTS CATALOG

A91207



LIGHTING DISTRIBUTION PANEL  
FIGURE 01 (SHEET 1)

6310T1168  
A6318T1985  
B6318T1985

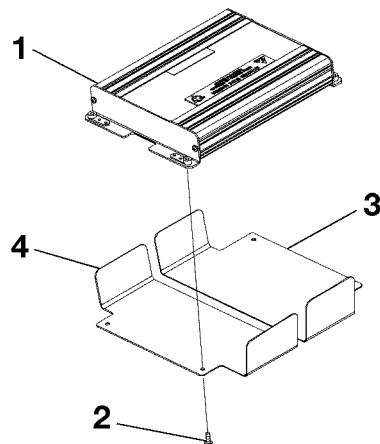
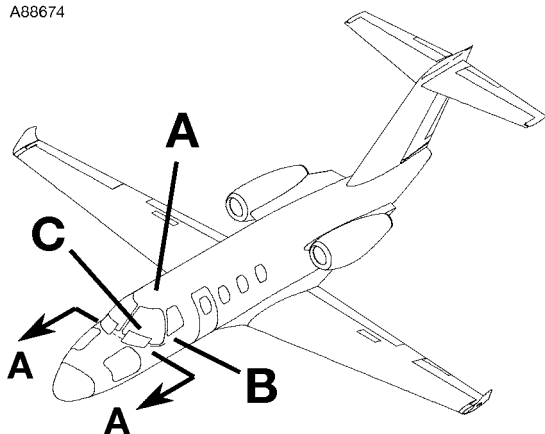
CESSNA®  
**MODEL 525 (SERIALS -0685 AND -0800 AND ON)**  
 ILLUSTRATED PARTS CATALOG

FIG ITEM	PART NUMBER	NOMENCLATURE	UNITS
			PER ASSY
01			
-		LIGHTING DISTRIBUTION PANEL	RF
1	6318810-13	. PANEL ASSY . . . . .	01
		ATTACHING PARTS	
2	MS35207-263	. SCREW . . . . .	04
		—*—	
3	204814-1	. CONNECTOR . . . . . V00779	04
		ATTACHING PARTS	
4	MS35206-244	. SCREW . . . . .	02
5	MS21042-08	. NUT . . . . .	02
		—*—	
6	CTJ-3D-04	. RAIL . . . . . V11139	01
7	CTJ-3D-10-4024	. RAIL ASSY . . . . . V11139	01

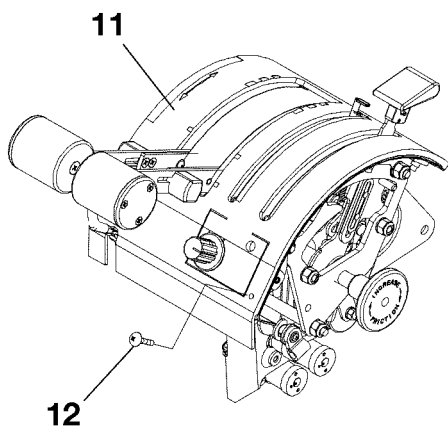
- ITEM NOT ILLUSTRATED

CESSNA®  
**MODEL 525 (SERIALS -0685 AND -0800 AND ON)**  
 ILLUSTRATED PARTS CATALOG

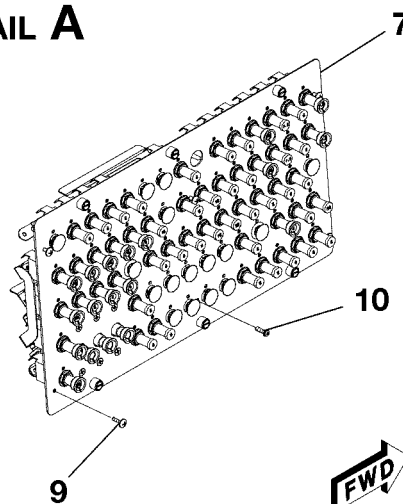
A88674



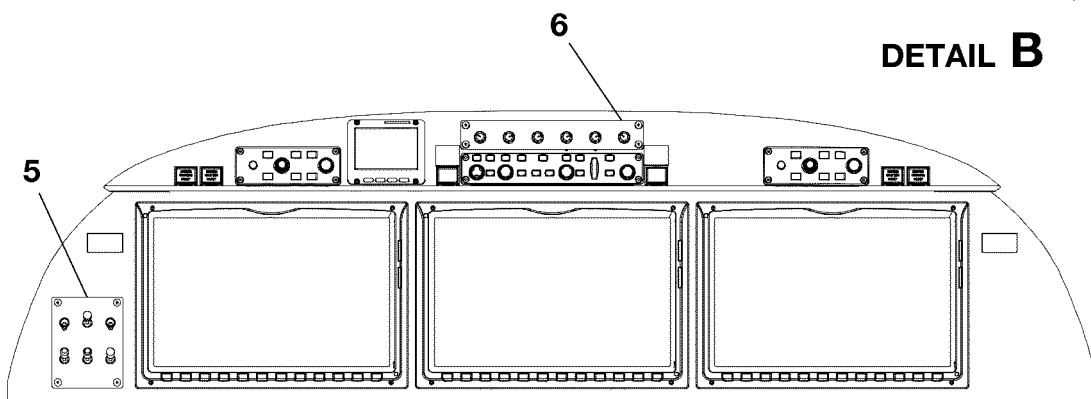
**DETAIL A**



**DETAIL C**



**DETAIL B**



**VIEW A-A**

**LIGHT - EMITTING DIODE PANELS**  
 FIGURE 01 (SHEET 1)

6310T1168  
 A6318T1845  
 B6318T1845  
 C6318T1845  
 AA6318T1845

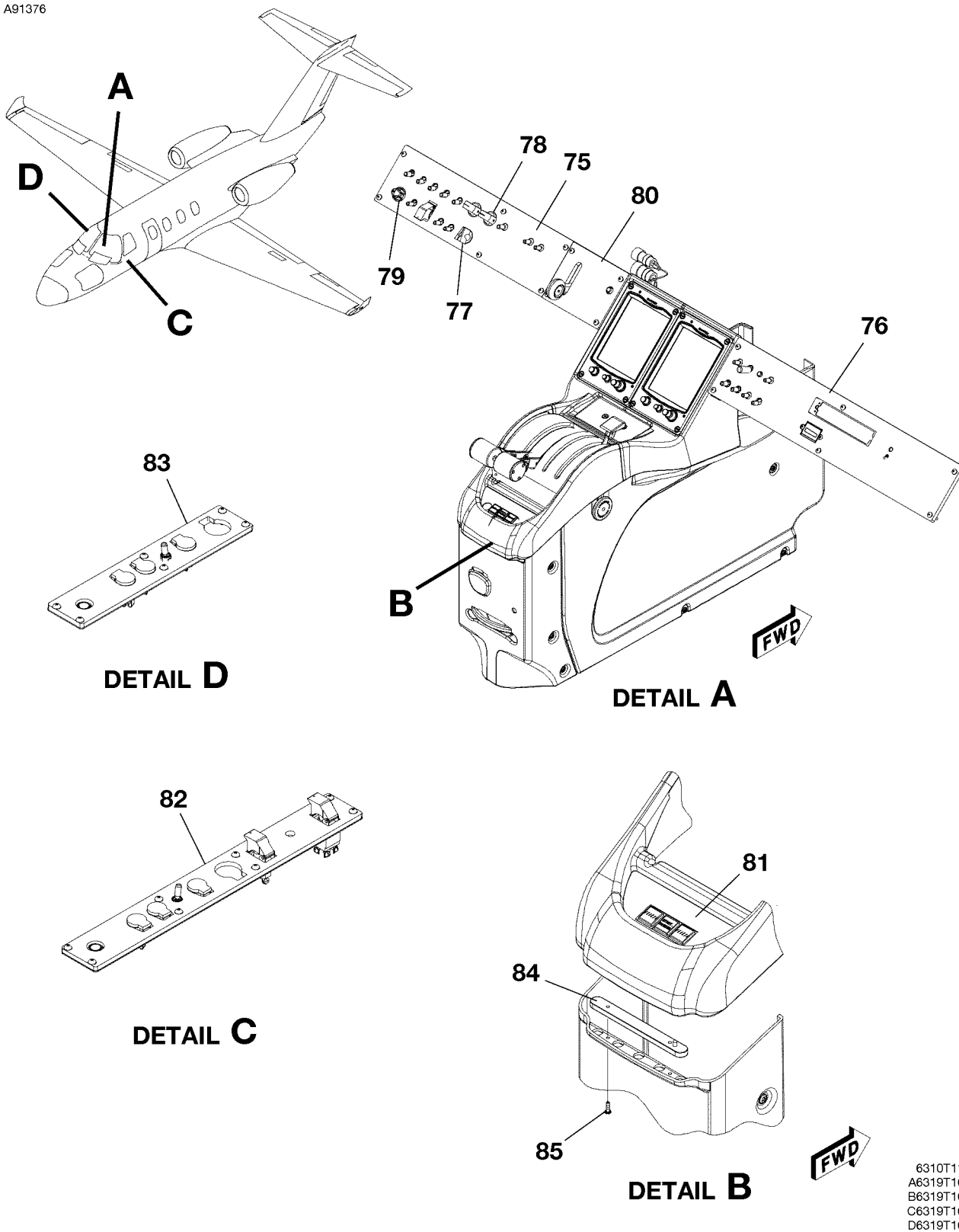
CESSNA®  
**MODEL 525 (SERIALS -0685 AND -0800 AND ON)**  
 ILLUSTRATED PARTS CATALOG

FIG ITEM	PART NUMBER	NOMENCLATURE	UNITS PER ASSY		
			1	2	3
01		LIGHT - EMITTING DIODE PANELS			RF
-					
1	9118009-4	. MODULE ASSY-MULTI-FUNCTION . . . . .			01
		ATTACHING PARTS			
2	MS35206-228	. SCREW . . . . .			04
		—*—			
3	9118009-5	. BRACKET . . . . .			01
4	9118009-6	. BRACKET . . . . .			01
5	9912808-1	. LED PANEL-POWER F1110 FSO 9912808-2 . . . . .	0800	0831	NP R
- 5A	9912808-2	. LED PANEL-POWER F1110 . . . . .	0832	& ON	01 R
6	9912819-1	. LED PANEL-REVRSN/DIM F1119 . . . . .			01
7	9912818-1	. LED PANEL-LH CIRCUIT BREAKER . . . . .	0800	0829	01 R
- 7A	9912818-6	. LED PANEL-LH CIRCUIT BREAKER . . . . .	0830	& ON	01 R
- 8	9912818-2	. LED PANEL-RH CIRCUIT BREAKER . . . . .			01
		ATTACHING PARTS			
9	CM3558-4-8B	. SCREW . . . . .			05
10	S3294-4-8B	. SCREW . . . . .			01
		—*—			
11	9912817-1	. LED PANEL-CONTROL QUADRANT . . . . .			01
		ATTACHING PARTS			
12	CM3558-6-10B	. SCREW . . . . .			04
		—*—			

- ITEM NOT ILLUSTRATED

CESSNA®  
**MODEL 525 (SERIALS -0685 AND -0800 AND ON)**  
 ILLUSTRATED PARTS CATALOG

A91376



LIGHT - EMITTING DIODE PANELS  
 FIGURE 01 (SHEET 2)

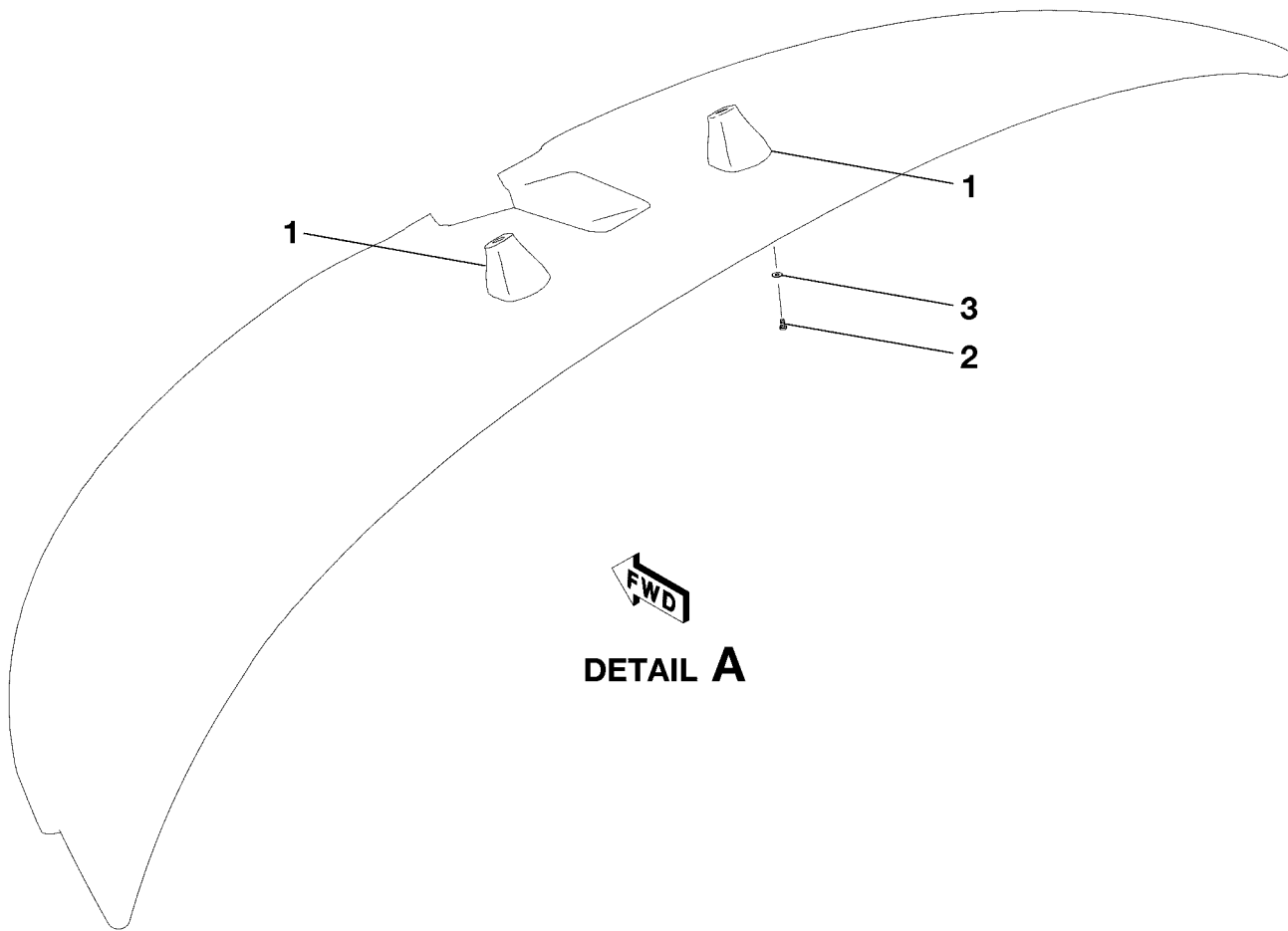
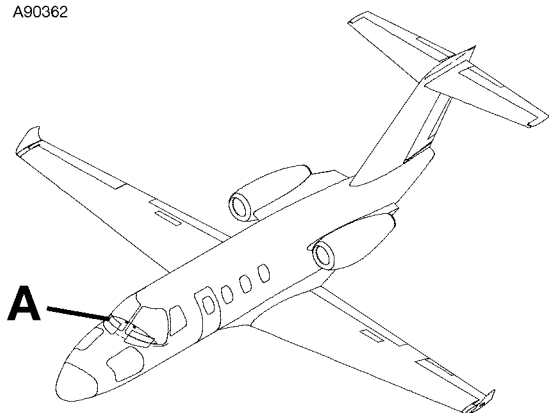
CESSNA®  
**MODEL 525 (SERIALS -0685 AND -0800 AND ON)**  
 ILLUSTRATED PARTS CATALOG

FIG ITEM	PART NUMBER	NOMENCLATURE	UNITS PER ASSY		
			1	2	3
01					
75	9912809-1	. LED PANEL-LH SWITCH FI115 . . . . .	0800	0829	01 R
- 75A	9912809-2	. LED PANEL-LH SWITCH FI115 . . . . .	0830	& ON	01 R
76	9912810-1	. LED PANEL-RH SWITCH FI116 . . . . .			01
77	S3839B15	. KNOB-LH . . . . .			01
78	S3839B4	. KNOB-LH . . . . .			02
79	S3217B2	. KNOB-LH . . . . .			01
80	9912814-1	. LED PANEL-LANDING GEAR FI123 . . . . .			01
81	9912820-1	. LED PANEL-AFT PEDESTAL FI122 . . . . .			01
82	9912815-1	. LED PANEL-LH CONSOLE FC101 . . . . .			01
83	9912816-1	. LED PANEL-RH CONSOLE FF101 . . . . .			01
84	92-1049-2	. LED PANEL-GLARESHIELD . . . . . V14550			01
		ATTACHING PARTS			
85	MS35214-14	. SCREW . . . . .			02
		—*—			

- ITEM NOT ILLUSTRATED

CESSNA®  
**MODEL 525 (SERIALS -0685 AND -0800 AND ON)**  
ILLUSTRATED PARTS CATALOG

A90362



6310T1168  
A6318T1928

WINDSHIELD ICE DETECTION LIGHT  
FIGURE 02 (SHEET 1)



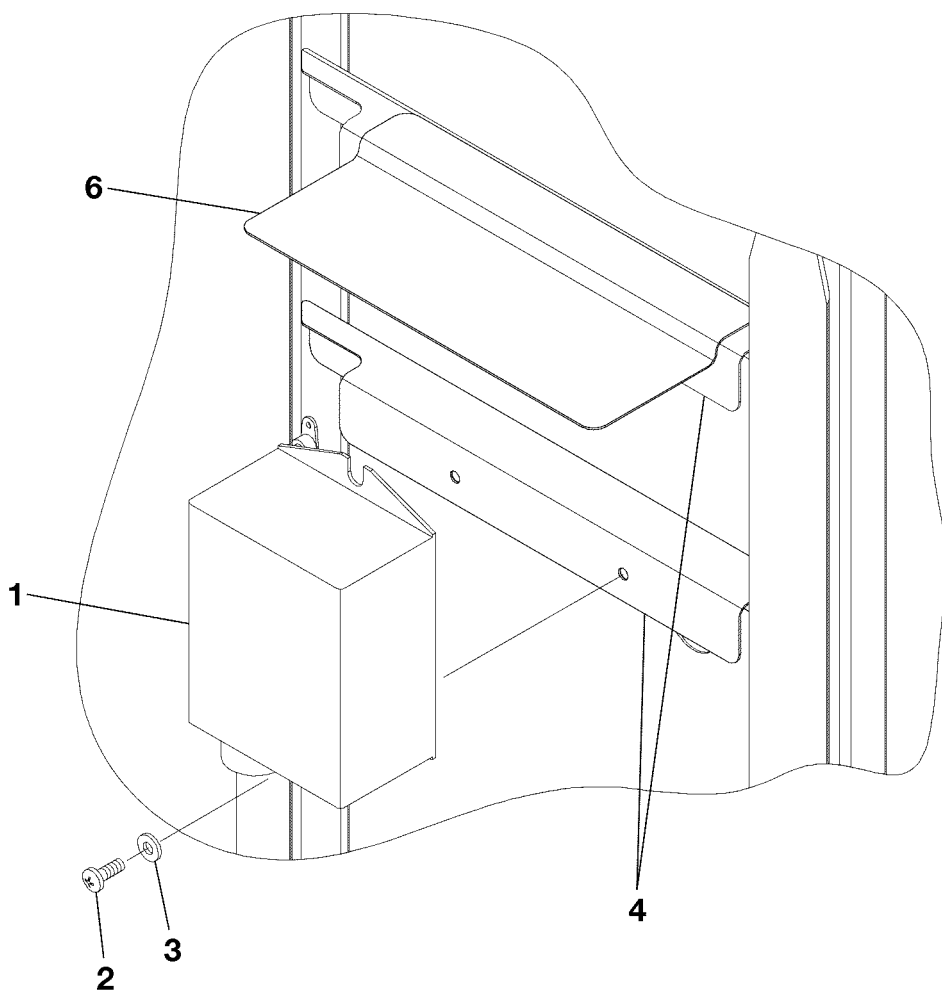
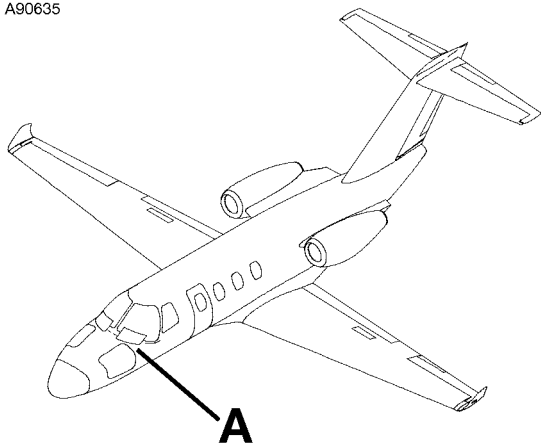
CESSNA®  
**MODEL 525 (SERIALS -0685 AND -0800 AND ON)**  
 ILLUSTRATED PARTS CATALOG

FIG ITEM	PART NUMBER	1 2 3 4 5 6 7	NOMENCLATURE	UNITS PER ASSY
02				
-			WINDSHIELD ICE DETECTION LIGHT	RF
1	IDL100-01		. ICE DETECTOR LIGHT .....	02
			ATTACHING PARTS	
2	MS35206-213		. SCREW .....	02
3	NAS1149FN416P		. WASHER .....	02
			—*—	

- ITEM NOT ILLUSTRATED

CESSNA®  
MODEL 525 (SERIALS -0685 AND -0800 AND ON)  
ILLUSTRATED PARTS CATALOG

A90635



**DETAIL A**

DIMMER - PANEL LIGHTS  
FIGURE 03 (SHEET 1)

6310T1168  
A6318T1964

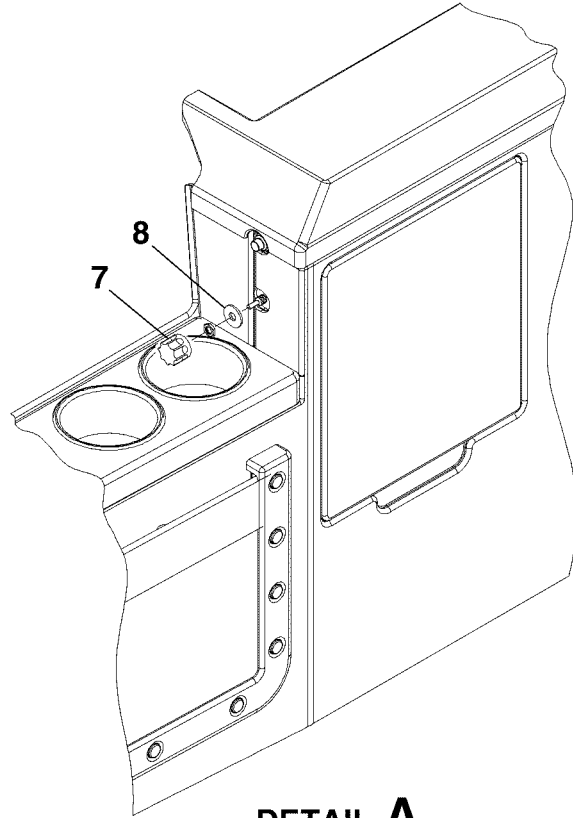
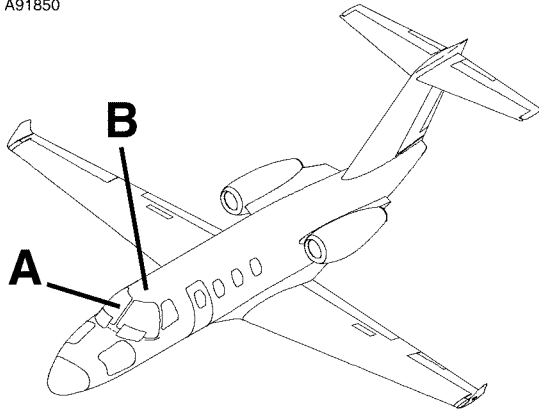
CESSNA®  
**MODEL 525 (SERIALS -0685 AND -0800 AND ON)**  
 ILLUSTRATED PARTS CATALOG

FIG ITEM	PART NUMBER	NOMENCLATURE	UNITS
			PER ASSY
03			
-		DIMMER - PANEL LIGHTS	RF
1	273-1	. LIGHT DIMMER-UB001 . . . . . V59959	01
		ATTACHING PARTS	
2	MS27039-1-08	. SCREW . . . . .	02
3	NAS1149F0363P	. WASHER . . . . .	02
		—*—	
4	6318710-6	. SUPPORT ASSY . . . . .	02
- 5	MS21075L3N	. . NUTPLATE . . . . .	02
6	6318710-8	. MOISTURE COVER . . . . .	01

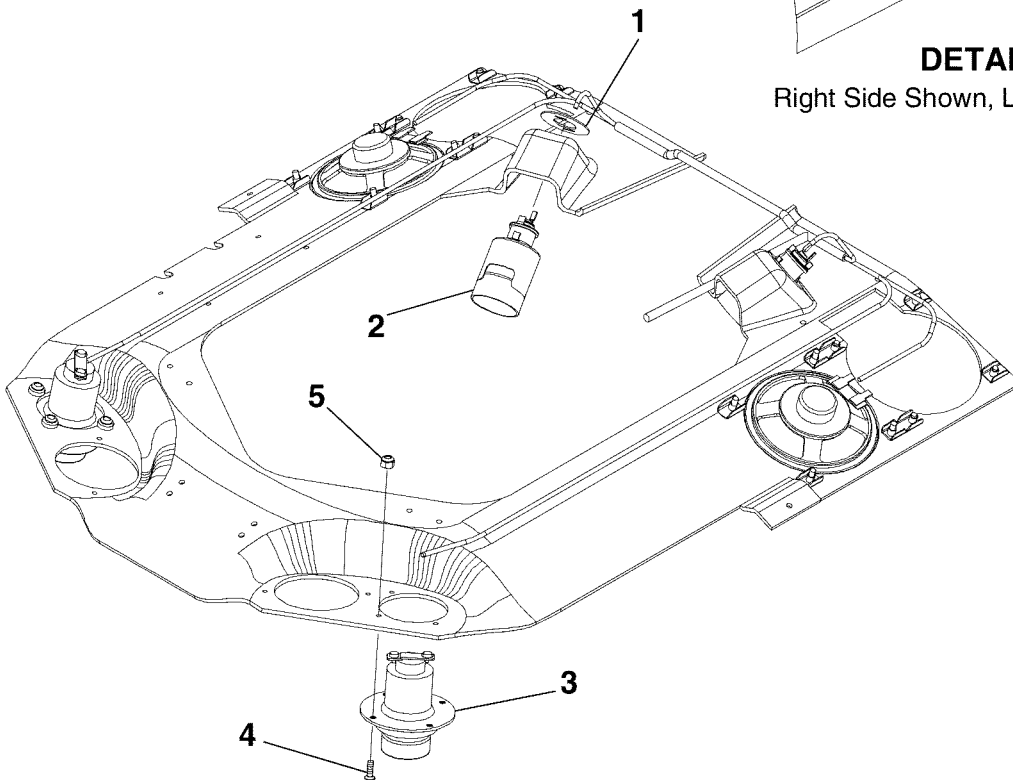
- ITEM NOT ILLUSTRATED

CESSNA®  
**MODEL 525 (SERIALS -0685 AND -0800 AND ON)**  
ILLUSTRATED PARTS CATALOG

A91850



**DETAIL A**  
Right Side Shown, Left Side Opposite



**DETAIL B**  
OVERHEAD LIGHTING - FLIGHT COMPARTMENT  
FIGURE 01 (SHEET 1)

6310T1168  
A6313T1003  
B6319T1628

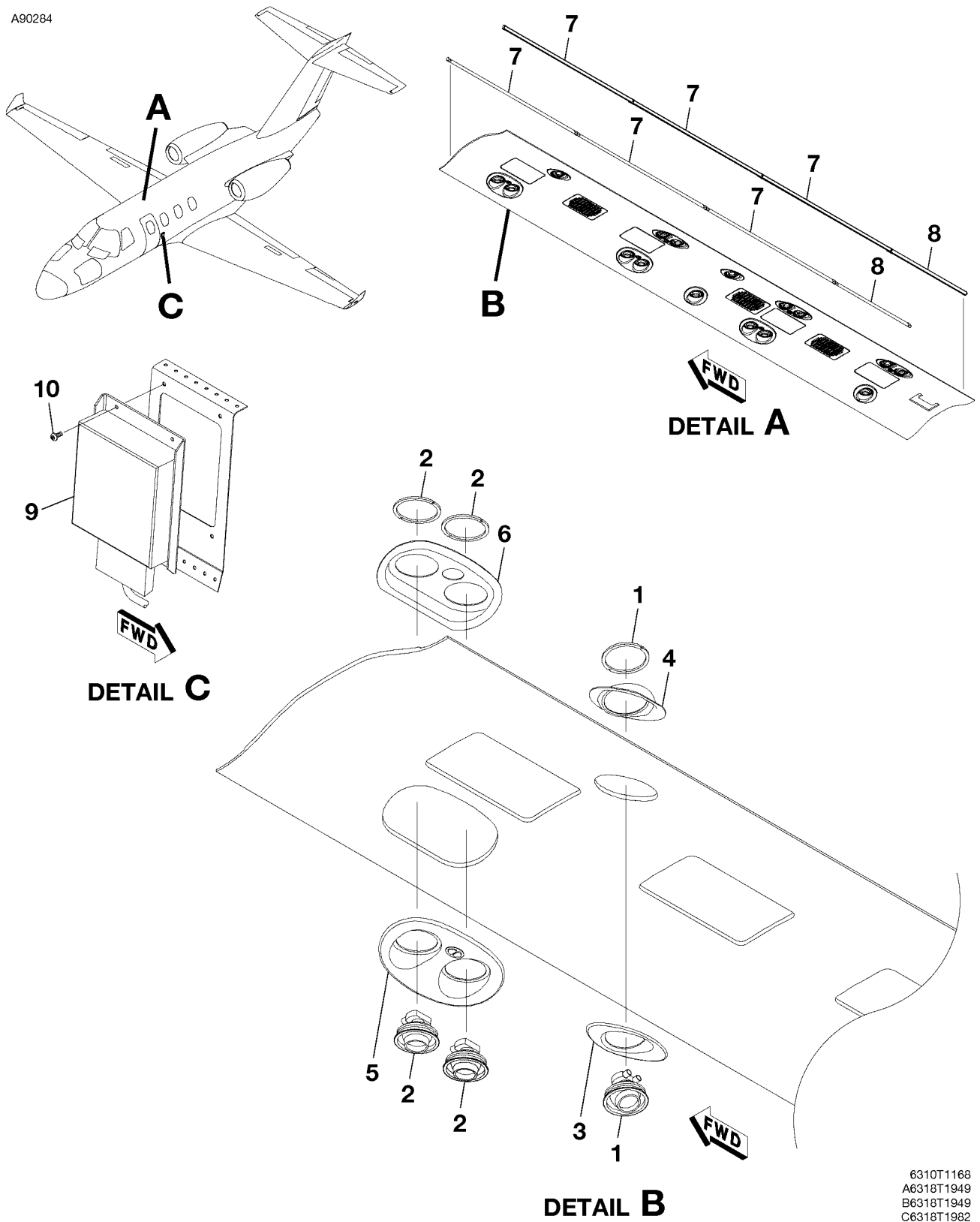
CESSNA®  
**MODEL 525 (SERIALS -0685 AND -0800 AND ON)**  
 ILLUSTRATED PARTS CATALOG

FIG ITEM	PART NUMBER	NOMENCLATURE	UNITS PER ASSY	
			1 2 3 4 5 6 7	
01		OVERHEAD LIGHTING - FLIGHT COMPARTMENT		RF
-		. MOUNT RING-FLOODLIGHT . . . . .		02
1	4717221-3	. FLOOD LIGHT . . . . . V1XE65		02
2	RL6856-1	. CHART LIGHT . . . . . V1XE65 0800	0972	02 R
3	RL6861	. MAP LIGHT . . . . . V0GZF3 0973	& ON	02 R
- 3A	RDG570-01	ATTACHING PARTS		
4	MS24694-S5	. SCREW . . . . . 0800	0972	03 R
- 4A	MS24693-S27	. SCREW . . . . . 0973	& ON	03 R
5	MS21044N08	. NUT . . . . . 0800	0972	03 R
- 5A	MS21044N06	. NUT . . . . . 0973	& ON	03 R
		—*—		
- 6	998502-15	. BULB . . . . .		01
7	S3839B1	. KNOB-RHEOSTAT . . . . .		02
8	0812978-2	. WASHER . . . . .		02

- ITEM NOT ILLUSTRATED

CESSNA®  
**MODEL 525 (SERIALS -0685 AND -0800 AND ON)**  
 ILLUSTRATED PARTS CATALOG

A90284



LIGHTING - PASSENGER COMPARTMENT OVERHEAD  
 FIGURE 01 (SHEET 1)

6310T1168  
 A6318T1949  
 B6318T1949  
 C6318T1982

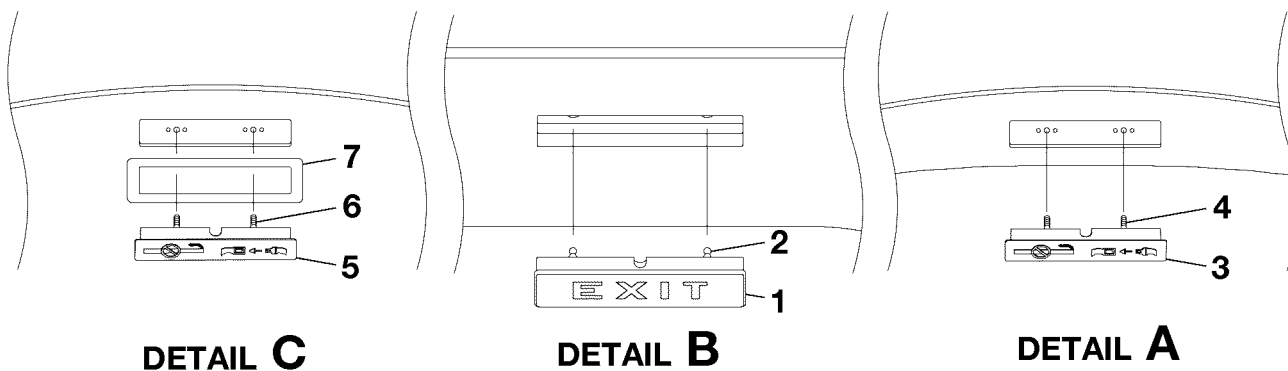
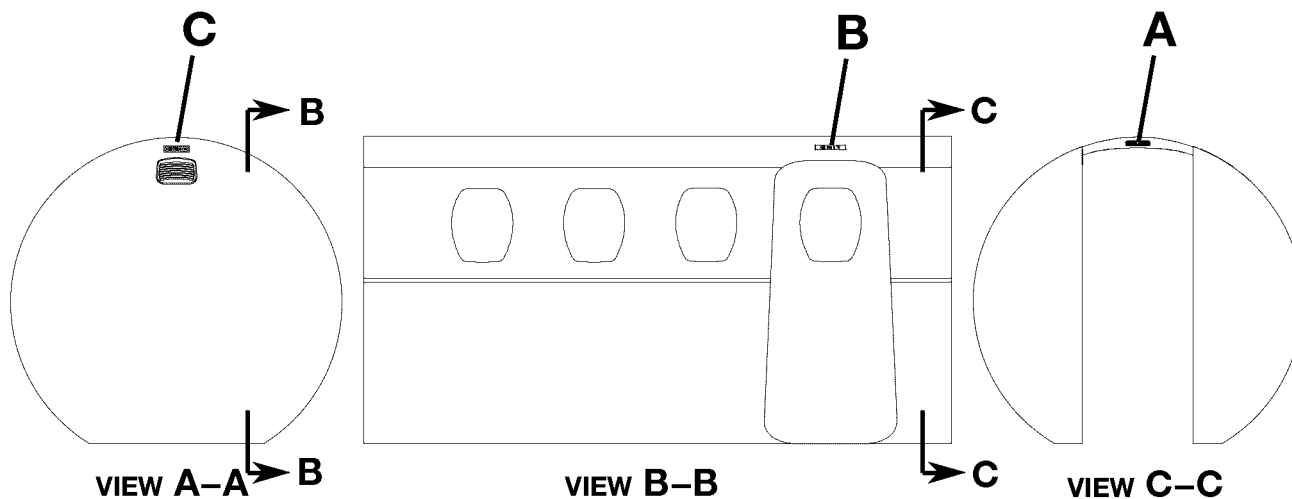
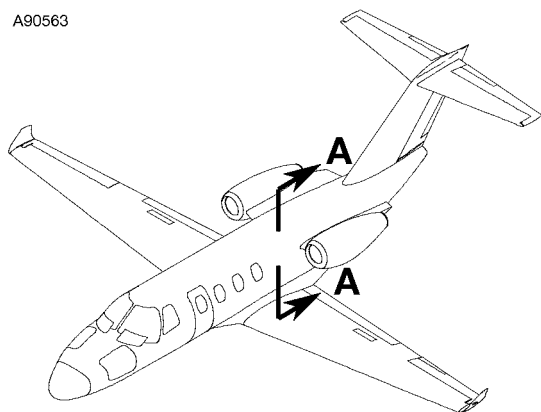
CESSNA®  
**MODEL 525 (SERIALS -0685 AND -0800 AND ON)**  
 ILLUSTRATED PARTS CATALOG

FIG ITEM	PART NUMBER	NOMENCLATURE	UNITS
			PER ASSY
01		LIGHTING - PASSENGER COMPARTMENT OVERHEAD	RF
-			
1	RL6967	. READING LIGHT . . . . . V1XE65	01
2	RL6966	. READING LIGHT . . . . . V1XE65	09
3	4810883-1	. SINGLE BEZEL . . . . .	04
4	4711899-3	. BRACKET-LIGHT . . . . .	04
5	4810883-2	. DOUBLE BEZEL . . . . .	06
6	4711899-2	. BRACKET-AIR/LIGHT . . . . .	06
7	CLE236-02	. INDIRECT LIGHT ASSY-36" . . . . . V0GZF3	06
8	CLE221-02	. INDIRECT LIGHT ASSY-21" . . . . . V0GZF3	02
9	CLC500-01	. LIGHTING CONTROL . . . . . V0GZF3	01
		ATTACHING PARTS	
10	MS35206-227	. SCREW . . . . .	04
		—*—	

- ITEM NOT ILLUSTRATED

CESSNA®  
**MODEL 525 (SERIALS -0685 AND -0800 AND ON)**  
 ILLUSTRATED PARTS CATALOG

A90563



LIGHTED SIGNS - CABIN  
 FIGURE 02 (SHEET 1)

6310T1168  
 A-C63181962



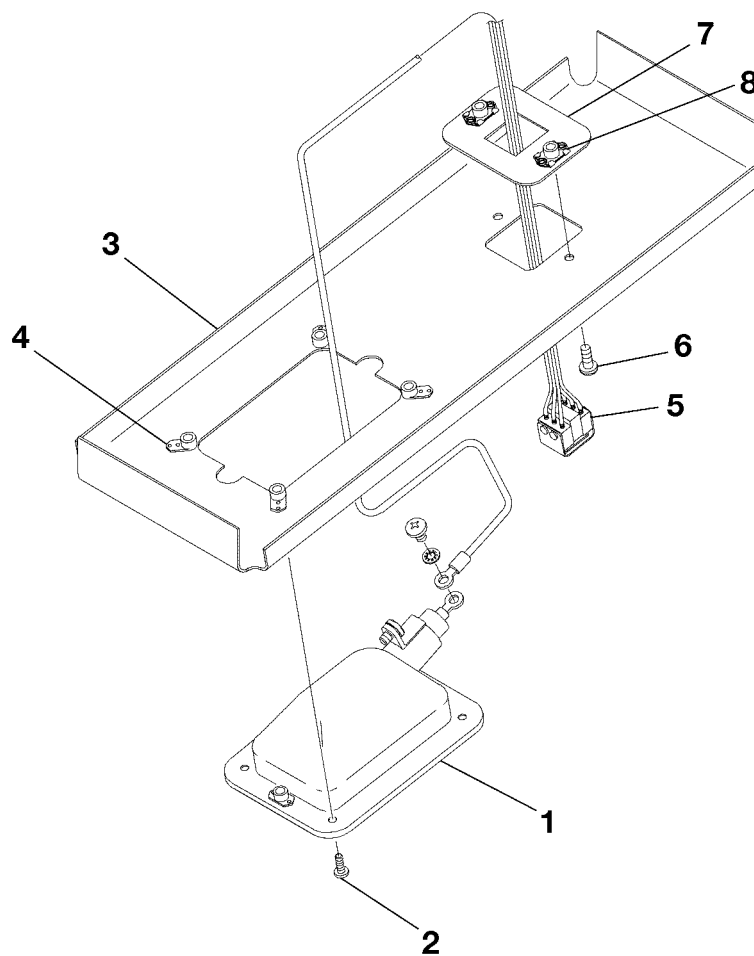
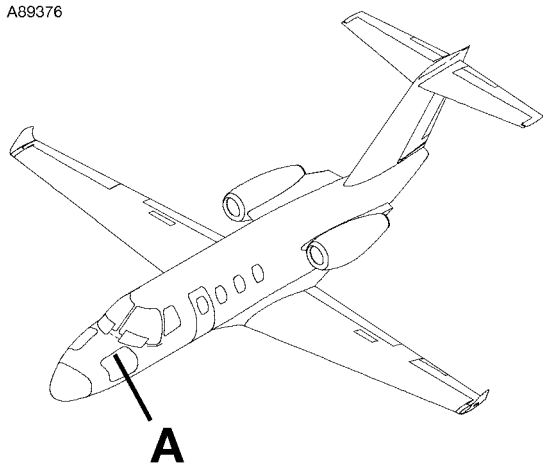
CESSNA®  
**MODEL 525 (SERIALS -0685 AND -0800 AND ON)**  
 ILLUSTRATED PARTS CATALOG

FIG ITEM	PART NUMBER	NOMENCLATURE	UNITS PER ASSY	
			1 2 3 4 5 6 7	
02		LIGHTED SIGNS - CABIN		RF
-				02
1	9919052-5	. EXIT SIGN-LED		02
- 1A	4419648-5	. EXIT SIGN-ESCAPE HATCH JAPANESE CERTIFIED AIRPLANES	0824 & ON	01
		ATTACHING PARTS		
2	IF116-447-5-495	. STUD	V84992	02
		—*—		
3	9919053-6	. SIGN-NO SMOKING/FASTEN SEAT BELT ON FWD HEADER FSO	0800 0984	NP R
		9919053-9		
- 3A	9919053-9	. SIGN-NO SMOKING/FASTEN SEAT BELT ON FWD HEADER	0985 & ON	01 R
		ATTACHING PARTS		
4	MS35206-227	. SCREW		02
		—*—		
5	9919053-6	. SIGN-NO SMOKING/FASTEN SEAT BELT ON AFT BULKHEAD FSO	0800 0984	NP R
		9919053-9		
- 5A	9919053-9	. SIGN-NO SMOKING/FASTEN SEAT BELT ON AFT BULKHEAD	0985 & ON	01 R
		ATTACHING PARTS		
6	MS35206-228	. SCREW	0800 0879	02 R
- 6A	MS35206-215	. SCREW	0880 & ON	02 R
		—*—		
7	4711035-16	. BEZEL		01
- 8	4419648-4	. EXIT SIGN-CABIN DOOR JAPANESE CERTIFIED AIRPLANES	0824 & ON	01

- ITEM NOT ILLUSTRATED

CESSNA®  
MODEL 525 (SERIALS -0685 AND -0800 AND ON)  
ILLUSTRATED PARTS CATALOG

A89376



**DETAIL A**

LIGHTING - NOSE BAGGAGE COMPARTMENT  
FIGURE 01 (SHEET 1)

6310T1168  
A6318T3001

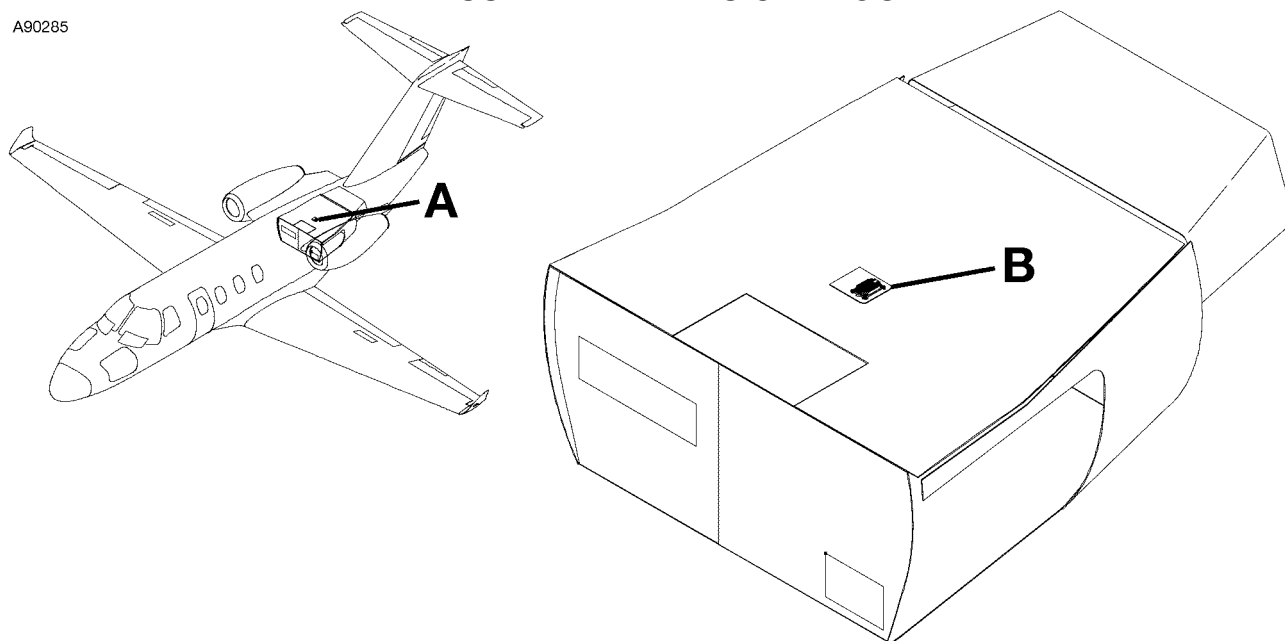
CESSNA®  
**MODEL 525 (SERIALS -0685 AND -0800 AND ON)**  
 ILLUSTRATED PARTS CATALOG

FIG ITEM	PART NUMBER	NOMENCLATURE	UNITS
			PER ASSY
01			
-		LIGHTING - NOSE BAGGAGE COMPARTMENT	RF
1	BGL200-01	. BAGGAGE DOME LIGHT . . . . . V0GZF3	01
		. ATTACHING PARTS	
2	MS24693-C3	. SCREW . . . . .	04
		—*—	
3	6318012-2	. TRAY ASSY . . . . .	01
4	MS21071L04	. . NUTPLATE . . . . .	04
5	6378002-57	. WIRE BUNDLE ASSY . . . . .	01
		. ATTACHING PARTS	
6	MS35206-228	. SCREW . . . . .	02
		—*—	
7	6318012-4	. PLATE ASSY . . . . .	01
8	MS21075L06	. . NUTPLATE . . . . .	02

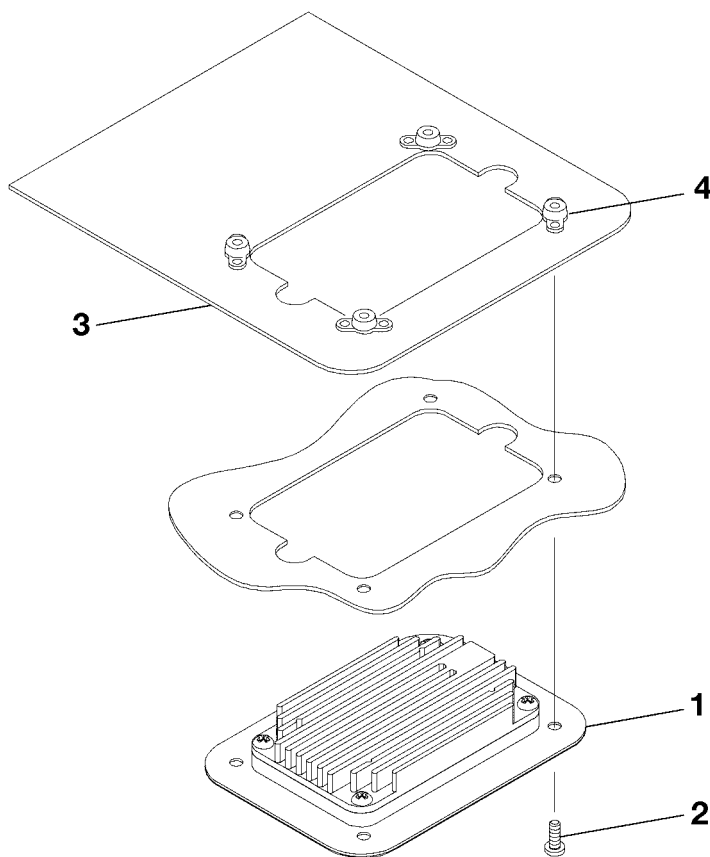
- ITEM NOT ILLUSTRATED

CESSNA®  
MODEL 525 (SERIALS -0685 AND -0800 AND ON)  
ILLUSTRATED PARTS CATALOG

A90285



**DETAIL A**



**DETAIL B**

LIGHTING - TAILCONE COMPARTMENT  
FIGURE 02 (SHEET 1)

6310T1168  
A6312T1015  
B6318T1927

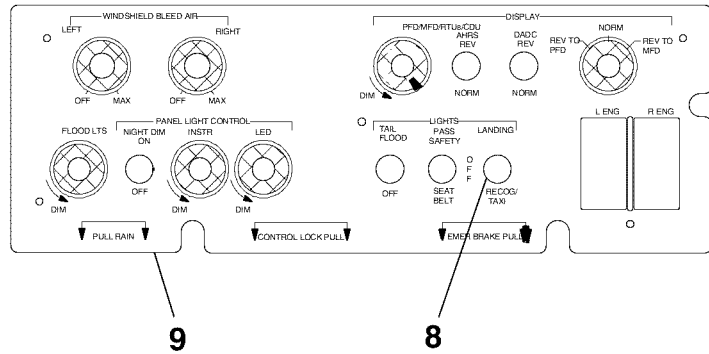
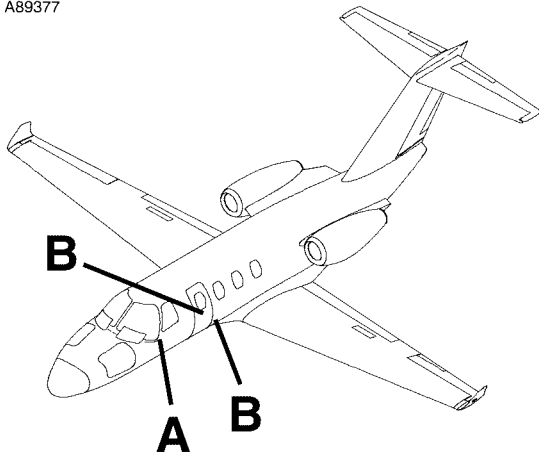
CESSNA®  
**MODEL 525 (SERIALS -0685 AND -0800 AND ON)**  
 ILLUSTRATED PARTS CATALOG

FIG ITEM	PART NUMBER	NOMENCLATURE	UNITS
			PER ASSY
02			
-		LIGHTING - TAILCONE COMPARTMENT	RF
1	BGL200-01	. BAGGAGE DOME LIGHT . . . . . V0GZF3	01
		. ATTACHING PARTS	
2	MS24693-C3	. SCREW . . . . .	04
		. . . . .	
3	6318312-2	. SUPPORT ASSY . . . . .	01
4	MS21069L04	. . NUTPLATE . . . . .	04

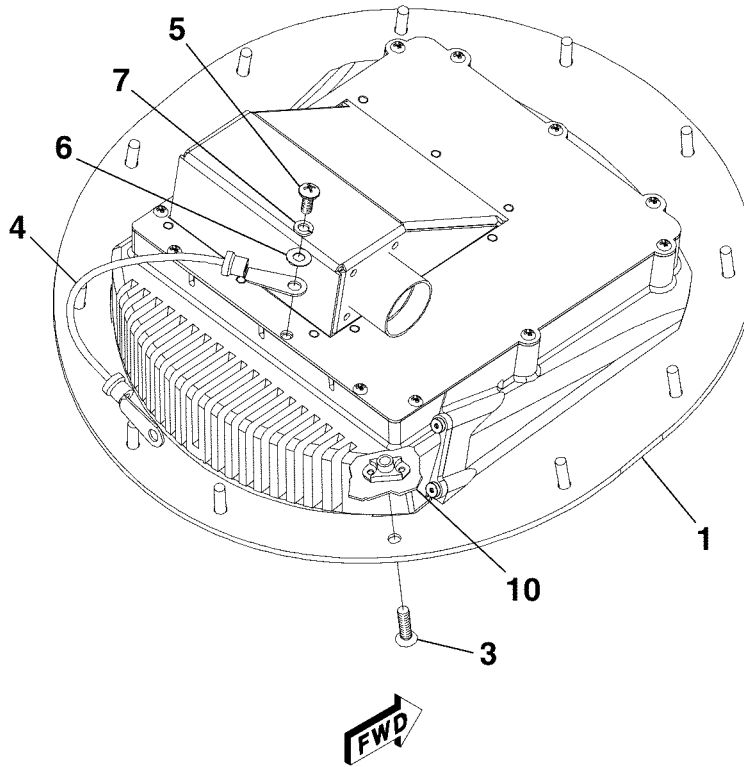
- ITEM NOT ILLUSTRATED

CESSNA®  
**MODEL 525 (SERIALS -0685 AND -0800 AND ON)**  
 ILLUSTRATED PARTS CATALOG

A89377



**DETAIL A**



**DETAIL B**

LIGHTING - LANDING  
 FIGURE 01 (SHEET 1)

6310T1168  
 A6314T1764  
 B6314T1764

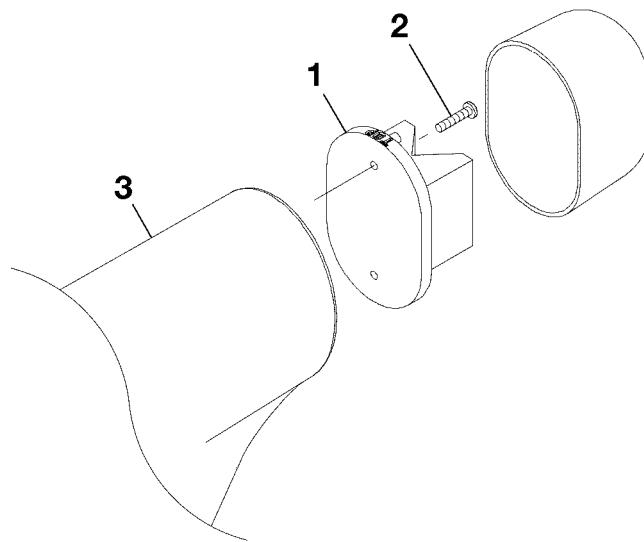
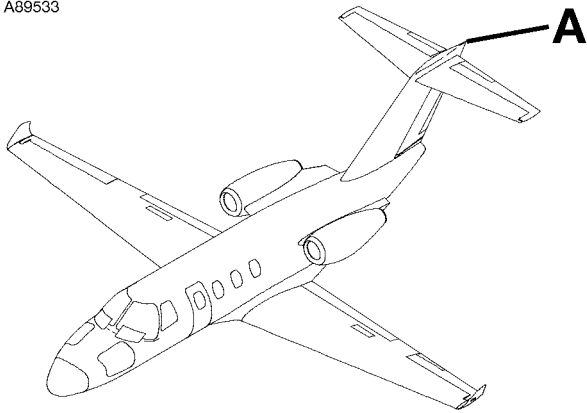
CESSNA®  
**MODEL 525 (SERIALS -0685 AND -0800 AND ON)**  
 ILLUSTRATED PARTS CATALOG

FIG ITEM	PART NUMBER	NOMENCLATURE	UNITS PER ASSY	
			1 2 3 4 5 6 7	
01		LIGHTING - LANDING		RF
-				
1	LDL100-01	. LANDING LIGHT FL003 . . . . . V0GZF3 0685	0943	01 R
- 1A	LDL100-02	. LANDING LIGHT FL003 . . . . . V0GZF3 0944	& ON	01 R
- 2	LDL100-01	. LANDING LIGHT FR003 . . . . . V0GZF3 0685	0943	01 R
- 2A	LDL100-02	. LANDING LIGHT FR003 . . . . . V0GZF3 0944	& ON	01 R
		ATTACHING PARTS		
3	MS24693-C51	. SCREW . . . . .		12
		—*—		
4	MS25083-2BB12	. JUMPER ASSY . . . . .		02
		ATTACHING PARTS		
5	MS35207-243	. SCREW . . . . .		01
6	NAS1149DN816H	. WASHER . . . . .		01
7	MS35338-42	. WASHER-LOCK, SPRING . . . . .		01
		—*—		
8	M8805/93-008	. SWITCH-LANDING LIGHT SI111 . . . . .		01
9		. LED PANEL REFER TO 33-10-00 FIGURE 01. . . . .		RF
10		. DOUBLER REFER TO 53-50-00 FIGURE 02. . . . .		RF

- ITEM NOT ILLUSTRATED

CESSNA®  
**MODEL 525 (SERIALS -0685 AND -0800 AND ON)**  
ILLUSTRATED PARTS CATALOG

A89533



**DETAIL A**

LIGHTING - NAVIGATION AND TAIL  
FIGURE 02 (SHEET 1)

6310T1168  
A6338T1023



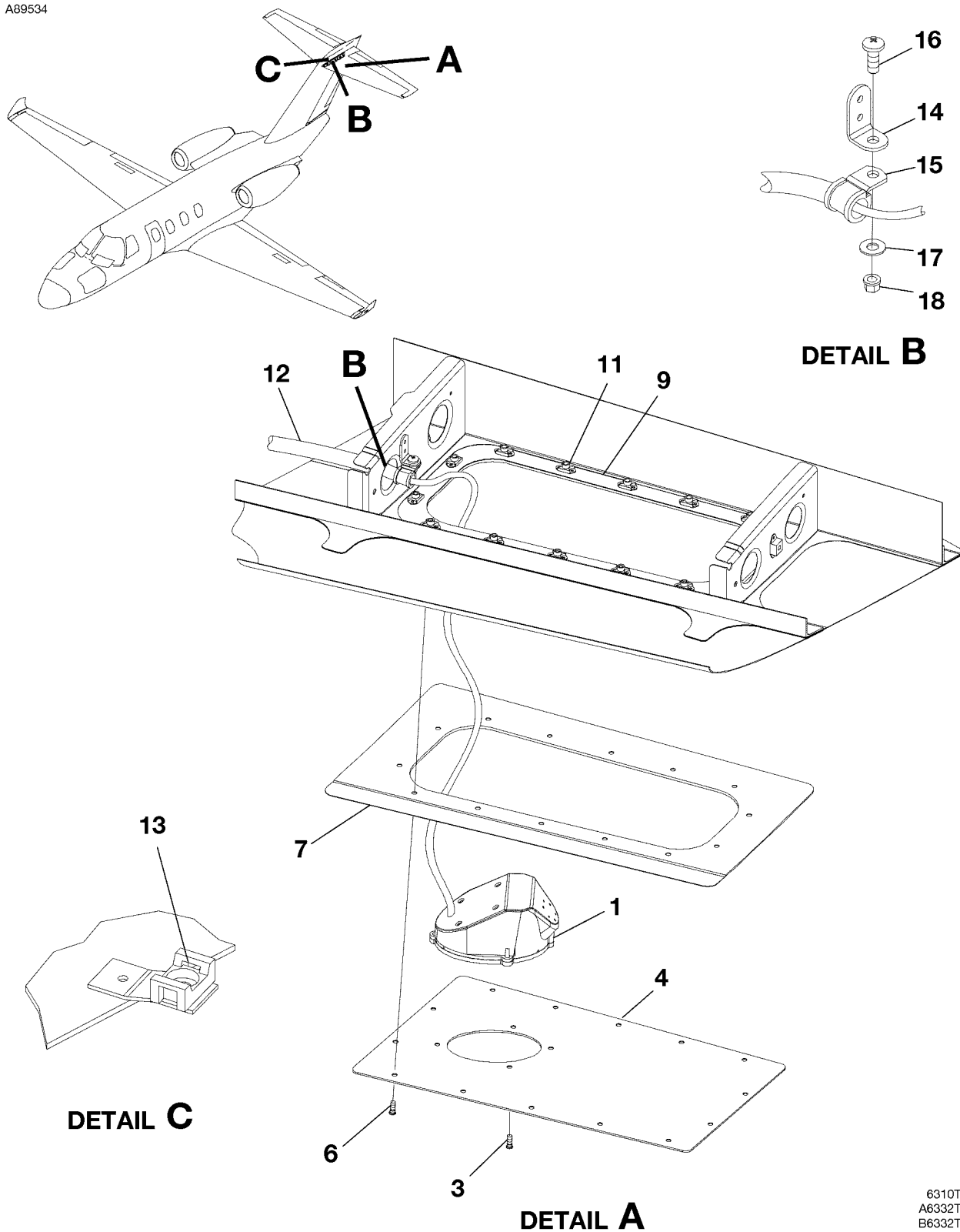
CESSNA®  
**MODEL 525 (SERIALS -0685 AND -0800 AND ON)**  
 ILLUSTRATED PARTS CATALOG

FIG ITEM	PART NUMBER	1 2 3 4 5 6 7	NOMENCLATURE	UNITS PER ASSY
02				
-			LIGHTING - NAVIGATION AND TAIL	RF
1	01-0770966-00		. LIGHT ASSY-TAIL NAVIGATION FV001 . . . . . V10402	01
			ATTACHING PARTS	
2	MS35206-217		. SCREW . . . . .	02
			—*—	
3			. BULLET FAIRING ASSY-REFER TO 55-31-00 FIGURE 01 . . . . .	RF

- ITEM NOT ILLUSTRATED

CESSNA®  
**MODEL 525 (SERIALS -0685 AND -0800 AND ON)**  
 ILLUSTRATED PARTS CATALOG

A89534



FLOOD LIGHT INSTALLATION - TAIL  
 FIGURE 03 (SHEET 1)

6310T1168  
 A6332T1048  
 B6332T1048  
 C6332T1048

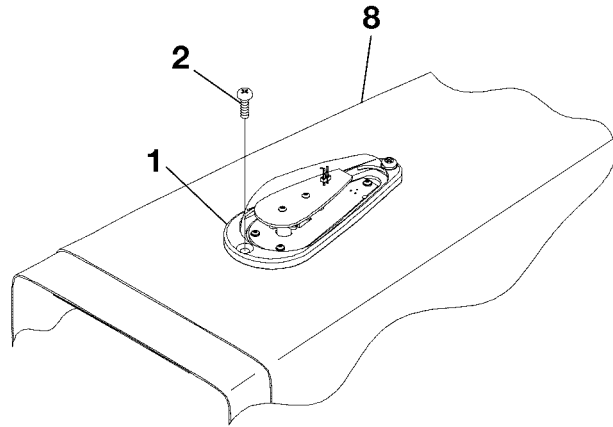
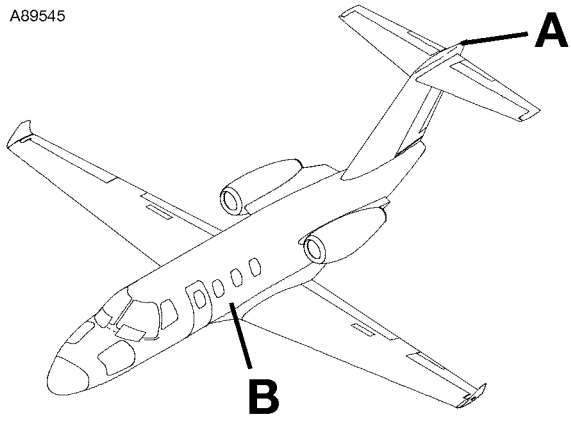
CESSNA®  
**MODEL 525 (SERIALS -0685 AND -0800 AND ON)**  
 ILLUSTRATED PARTS CATALOG

FIG ITEM	PART NUMBER	NOMENCLATURE	UNITS
			PER ASSY
03		FLOOD LIGHT INSTALLATION - TAIL	RF
-			
1	TIL100-02	. LIGHT ASSY-LH FT005 . . . . . V0GZF3	01
- 2	TIL100-02	. LIGHT ASSY-RH FT006 . . . . . V0GZF3	01
		ATTACHING PARTS	
3	NAS8602-1	. BOLT . . . . .	04
		—*—	
4	6318502-11	. ADAPTER-LH . . . . .	01
- 5	6318502-12	. ADAPTER-RH . . . . .	01
		ATTACHING PARTS	
6	NAS8602-3	. BOLT . . . . .	14
		—*—	
7	6393101-3	. DOUBLER-LH EXTERNAL . . . . .	01
- 8	6393101-4	. DOUBLER-RH EXTERNAL . . . . .	01
9	6393101-5	. DOUBLER-LH INTERNAL . . . . .	01
- 10	6393101-6	. DOUBLER-RH INTERNAL . . . . .	01
11	MS21075L08N	. NUTPLATE . . . . .	28
12	6393100-3	. CONDUIT . . . . .	02
13	S3529-1B1	. ANCHOR ASSY . . . . .	02
14	AN743-13	. BRACKET . . . . .	02
15	MS21919WDG6	. CLAMP . . . . .	02
		ATTACHING PARTS	
16	MS27039C1-08	. SCREW . . . . .	01
17	NAS1149D0332K	. WASHER . . . . .	01
18	MS21044D3	. NUT . . . . .	01
		—*—	

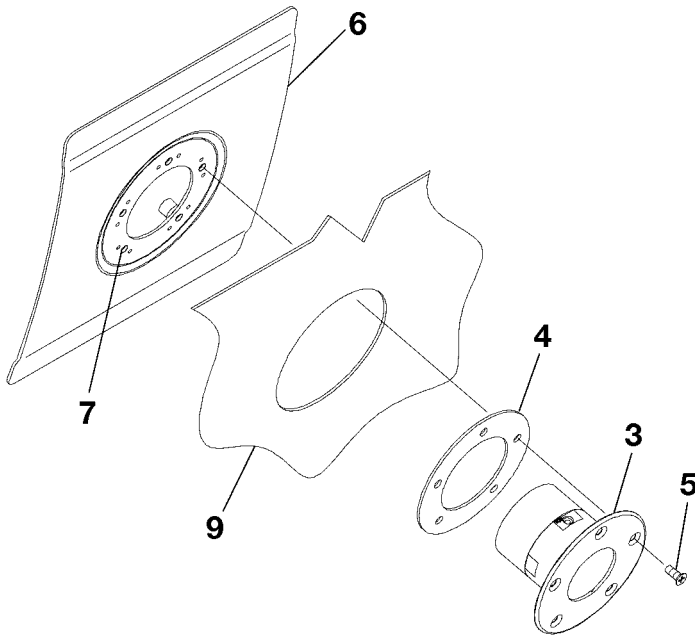
- ITEM NOT ILLUSTRATED

CESSNA®  
MODEL 525 (SERIALS -0685 AND -0800 AND ON)  
ILLUSTRATED PARTS CATALOG

A89545



**DETAIL A**



**DETAIL B**

LIGHTING - INSPECTION AND RECOGNITION  
FIGURE 04 (SHEET 1)

6310T1168  
A6318T1762  
B6318T1763

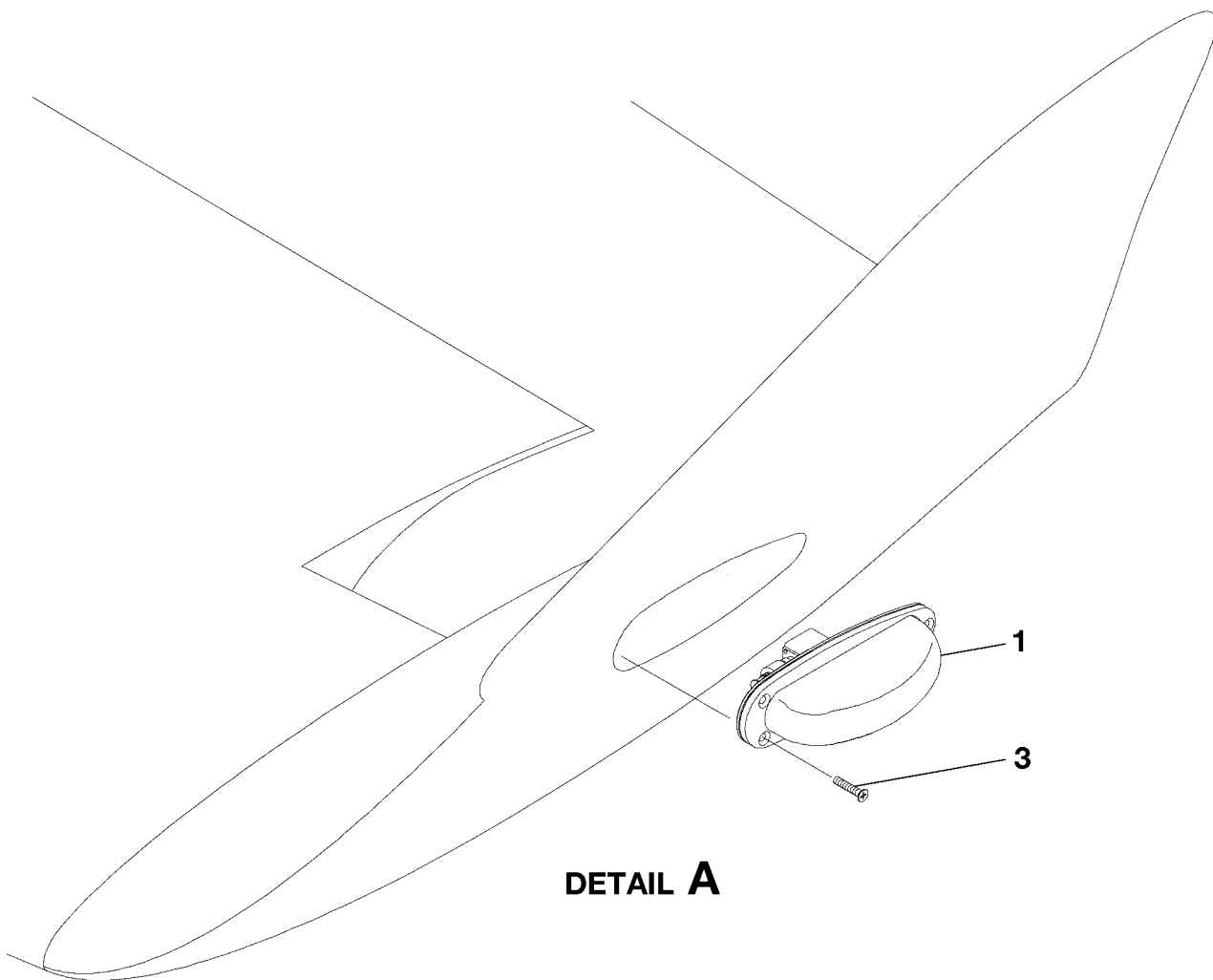
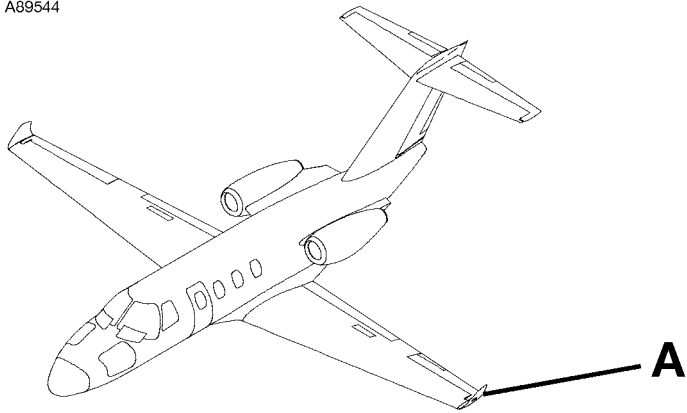
CESSNA®  
**MODEL 525 (SERIALS -0685 AND -0800 AND ON)**  
 ILLUSTRATED PARTS CATALOG

FIG ITEM	PART NUMBER	NOMENCLATURE	UNITS
			PER ASSY
04			
-		LIGHTING - INSPECTION AND RECOGNITION	RF
1	9912679-4	. GROUND RECOGNITION LIGHT-FV002 . . . . .	01
		ATTACHING PARTS	
2	MS24693-C52	. SCREW . . . . .	02
		—*—	
3	WIL100-01	. WING INSPECTION LIGHT . . . . . V0GZF3	01
4	8718209-5	. GASKET . . . . .	01
		ATTACHING PARTS	
5	MS24694-C3	. SCREW . . . . .	05
		—*—	
6	6318120-3	. DOUBLER ASSY . . . . .	01
7	NAS1474C08	. NUTPLATE . . . . .	05
8		. BULLET FAIRING ASSY-REFER TO 55-31-00 FIGURE 01 . . . . .	RF
9		. SKIN ASSY-REFER TO 53-24-00 FIGURE 01 . . . . .	RF

- ITEM NOT ILLUSTRATED

CESSNA®  
**MODEL 525 (SERIALS -0685 AND -0800 AND ON)**  
ILLUSTRATED PARTS CATALOG

A89544



WINGLET LIGHT INSTALLATION  
FIGURE 01 (SHEET 1)

6310T1168

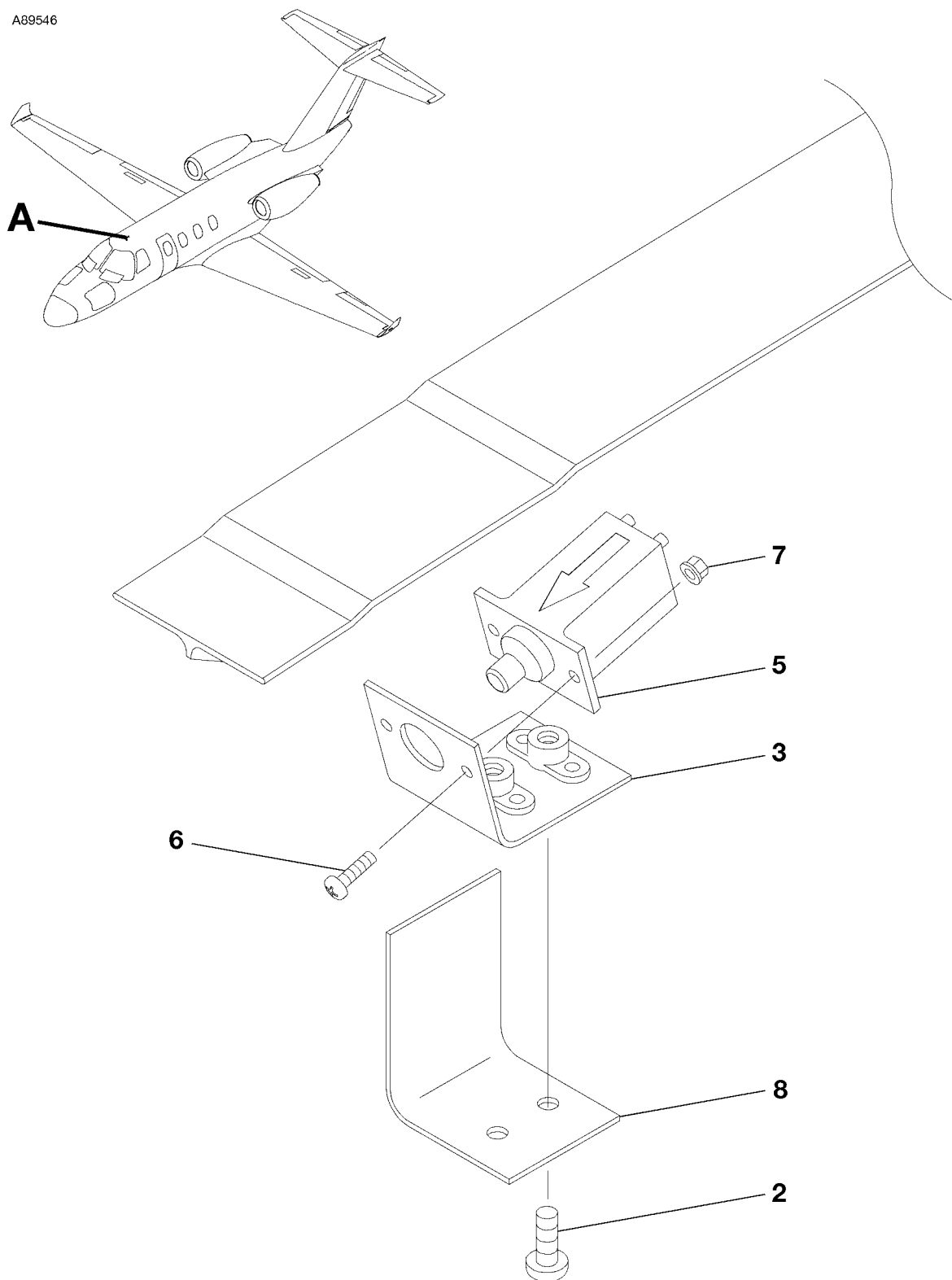
CESSNA®  
**MODEL 525 (SERIALS -0685 AND -0800 AND ON)**  
 ILLUSTRATED PARTS CATALOG

FIG ITEM	PART NUMBER	1 2 3 4 5 6 7	NOMENCLATURE	UNITS PER ASSY
01				
-			WINGLET LIGHT INSTALLATION	RF
1	87-03916-001		. LIGHT-LH FL001 . . . . . V14550	01
2	87-03917-001		. LIGHT-RH FR001 . . . . . V14550	01
			ATTACHING PARTS	
3	MS24694-C10		. SCREW . . . . .	03
			—*—	

- ITEM NOT ILLUSTRATED

CESSNA®  
MODEL 525 (SERIALS -0685 AND -0800 AND ON)  
ILLUSTRATED PARTS CATALOG

A89546



**DETAIL A**

LIGHTING SYSTEM - EMERGENCY  
FIGURE 01 (SHEET 1)

6310T1168  
A6318T1926



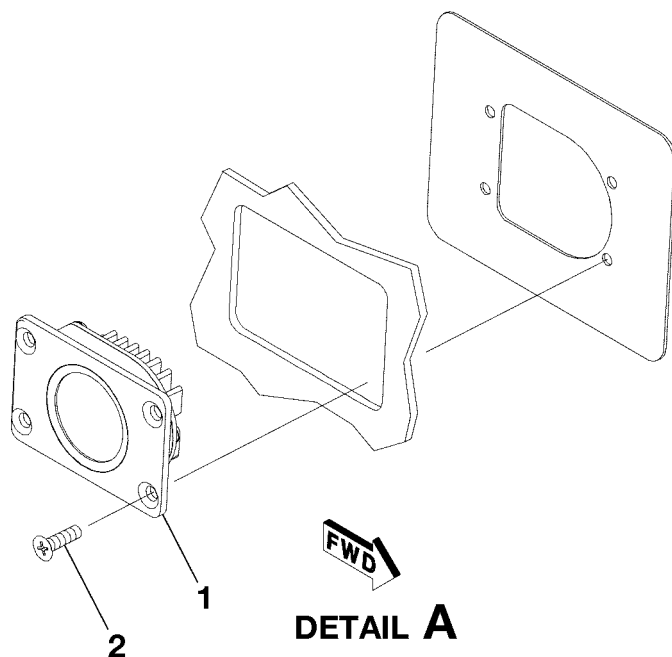
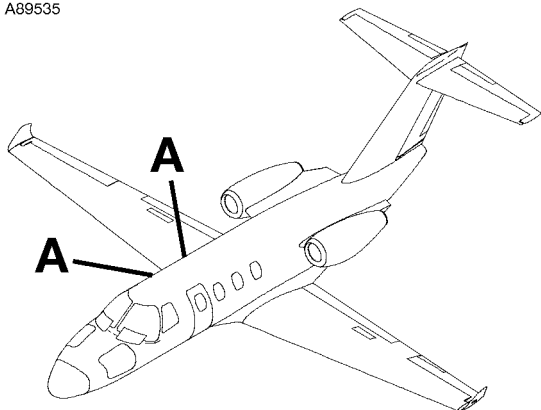
CESSNA®  
**MODEL 525 (SERIALS -0685 AND -0800 AND ON)**  
 ILLUSTRATED PARTS CATALOG

FIG ITEM	PART NUMBER	1 2 3 4 5 6 7	NOMENCLATURE	UNITS
				PER ASSY
01			LIGHTING SYSTEM - EMERGENCY	RF
- 1	6318108-15		. MOUNT ASSY-G-SWITCH . . . . .	01
			ATTACHING PARTS	
2	MS35206-228		. SCREW . . . . .	02
			—*—	
3	6318108-16		. . MOUNT ASSY . . . . .	01
- 4	MS21069L06		. . . NUTPLATE . . . . .	02
5	7607-2-000		. . SWITCH . . . . . V14923	01
			ATTACHING PARTS	
6	MS35206-204		. . SCREW . . . . .	02
7	MS21042L02		. . NUT . . . . .	02
			—*—	
8	6318887-3		. BRACKET . . . . .	01

- ITEM NOT ILLUSTRATED

CESSNA®  
MODEL 525 (SERIALS -0685 AND -0800 AND ON)  
ILLUSTRATED PARTS CATALOG

A89535



6310T1168  
A6318T1887

LIGHTING - ESCAPE HATCH OVERWING  
FIGURE 02 (SHEET 1)

CESSNA®  
**MODEL 525 (SERIALS -0685 AND -0800 AND ON)**  
 ILLUSTRATED PARTS CATALOG

FIG ITEM	PART NUMBER	NOMENCLATURE							UNITS PER ASSY
		1	2	3	4	5	6	7	
02		LIGHTING - ESCAPE HATCH OVERWING							RF
-		. OVERWING LIGHT-FWD AND AFT . . . . . V0GZF3							02
1	OWL100-03	ATTACHING PARTS							
2	MS24693C28	. SCREW . . . . .							04
		_*_							

- ITEM NOT ILLUSTRATED



**CHAPTER**

**34**

**NAVIGATION**



CESSNA®  
**MODEL 525 (SERIALS -0685 AND -0800 AND ON)**  
 ILLUSTRATED PARTS CATALOG

<b>CHAPTER SECTION SUBJECT</b>		<b>NUMBER OF PAGES</b>	<b>DATE</b>
34 - TITLE			
34 - LIST OF EFFECTIVE PAGES			
34 - RECORD OF TEMPORARY REVISIONS			
34 - TABLE OF CONTENTS			
34-11-00	Figure 01	2	Nov 1/2013
34-11-00	Figure 02	4	Nov 1/2013
34-12-00	Figure 01	2	Nov 1/2013
34-16-00	Figure 01	2	Nov 1/2013
34-20-00	Figure 01	2	Jun 1/2017
34-25-00	Figure 01	2	Dec 1/2017
34-28-00	Figure 01	4	Nov 1/2013
34-30-00	Figure 01	2	Nov 1/2013
34-30-10	Figure 01	2	Jun 1/2016
34-35-00	Figure 01	2	Jun 1/2016
34-40-00	Figure 01	2	Jun 1/2016
34-44-00	Figure 01	2	Oct 1/2014
34-44-00	Figure 02	2	Jun 1/2016
34-44-00	Figure 03	2	Nov 1/2013
34-44-01	Figure 01	2	Jul 1/2014
34-46-00	Figure 02	2	Jun 1/2016
34-50-00	Figure 01	2	Jun 1/2016
34-51-00	Figure 01	2	Jun 1/2016
34-51-00	Figure 02	2	Nov 1/2013
34-52-00	Figure 01	2	Nov 1/2013
34-61-00	Figure 01	4	Jun 1/2015
34-61-05	Figure 01	2	Jun 1/2016







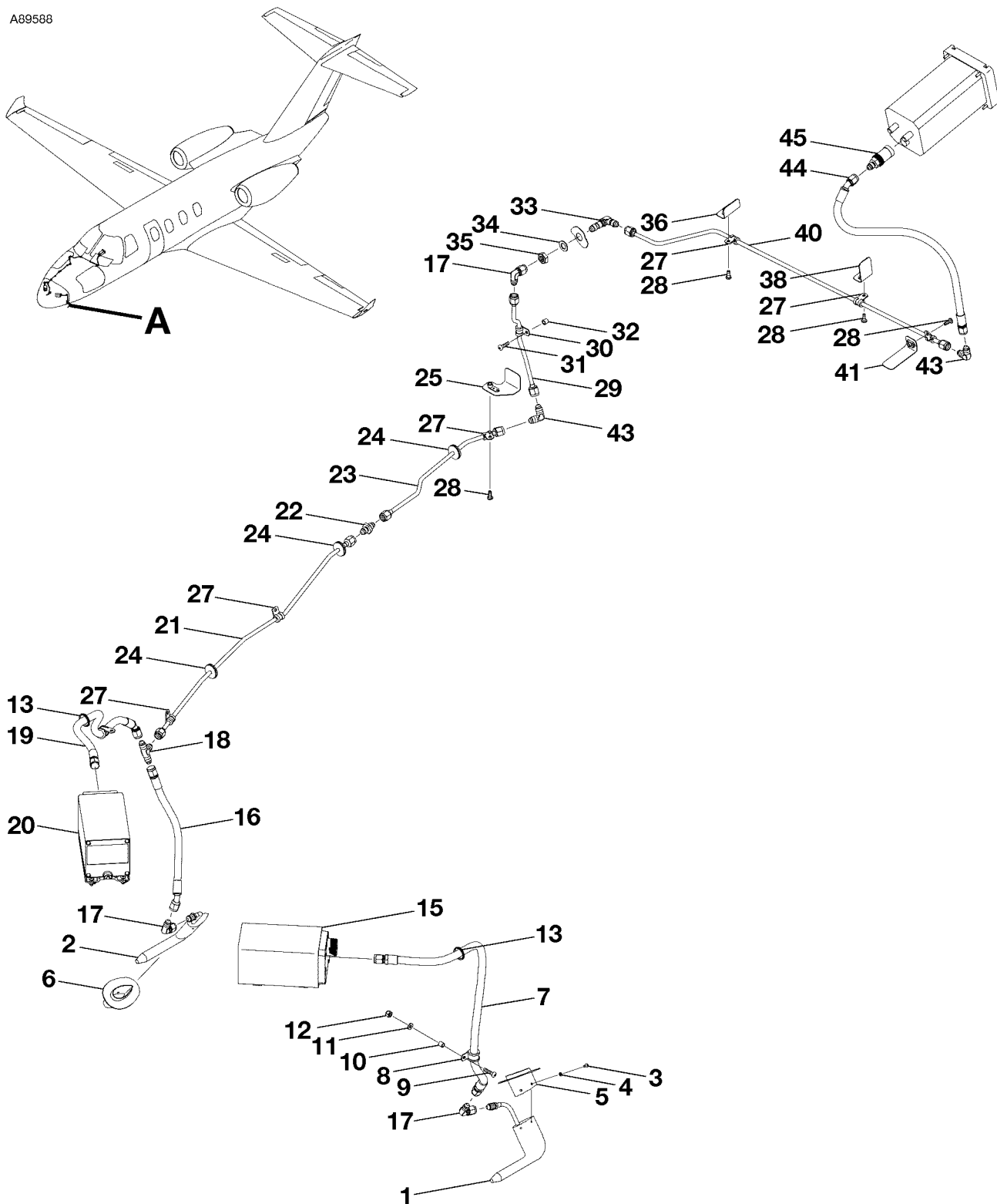


CESSNA®  
**MODEL 525 (SERIALS -0685 AND -0800 AND ON)**  
 ILLUSTRATED PARTS CATALOG

<u>SUBJECT</u>	<u>CHAPTER</u>	<u>FIGURE</u>	<u>EFFECTIVITY</u>	
	<u>SECTION</u>		<u>START</u>	<u>END</u>
	<u>SUBJECT</u>			
PITOT SYSTEM	34-11-00	01		
STATIC SYSTEM	34-11-00	02		
GARMIN GDC 7400 AIR DATA COMPUTER	34-12-00	01		
ELECTRONIC STANDBY INDICATOR	34-16-00	01		
ATTITUDE AND DIRECTIONAL INSTRUMENTS	34-20-00	01		
ANGLE OF ATTACK (AOA) SYSTEM	34-25-00	01		
GARMIN ATTITUDE HEADING REFERENCE SYSTEM (AHRS)	34-28-00	01		
GLIDESLOPE SYSTEM	34-30-00	01		
MARKER BEACON SYSTEM	34-30-10	01		
VHF NAVIGATION SYSTEM	34-35-00	01		
RADIO ALTIMETER	34-40-00	01		
GRAPHICAL WEATHER SYSTEM	34-44-00	01		
STORMSCOPE INSTALLATION	34-44-00	02		
WEATHER RADAR SYSTEM	34-44-00	03		
GARMIN GSR 56 IRIDIUM SYSTEM	34-44-01	01		
TRAFFIC COLLISION AVOIDANCE SYSTEM II (TCAS)	34-46-00	02		
GARMIN TRANSPONDER SYSTEM	34-50-00	01		
DISTANCE MEASURING EQUIPMENT (DME 1) SYSTEM	34-51-00	01		
DISTANCE MEASURING EQUIPMENT (DME 2) SYSTEM	34-51-00	02		
AUTOMATIC DIRECTION FINDER (ADF) NAVIGATION SYSTEM	34-52-00	01		
GARMIN G3000 INTEGRATED AVIONICS SYSTEM	34-61-00	01		
GARMIN GIA 63W INTEGRATED AVIONICS UNIT	34-61-05	01		

CESSNA®  
**MODEL 525 (SERIALS -0685 AND -0800 AND ON)**  
 ILLUSTRATED PARTS CATALOG

A89588



**DETAIL A**

PITOT SYSTEM  
 FIGURE 01 (SHEET 1)

6310T1168  
 A6314T1826

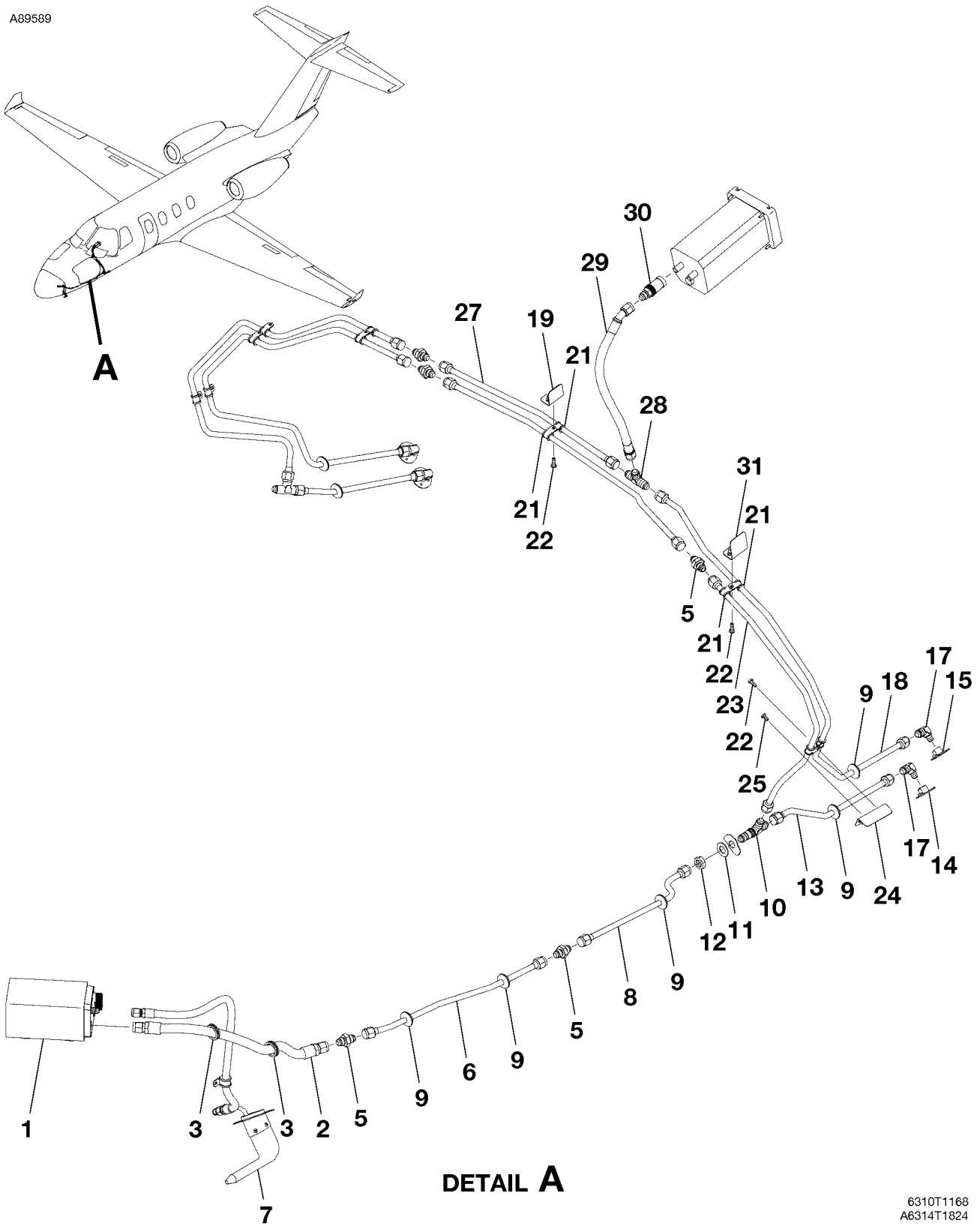
CESSNA®  
**MODEL 525 (SERIALS -0685 AND -0800 AND ON)**  
 ILLUSTRATED PARTS CATALOG

FIG ITEM	PART NUMBER	NOMENCLATURE	UNITS
			PER ASSY
		1 2 3 4 5 6 7	
01		PITOT SYSTEM	RF
-			
1	PH502	. PITOT TUBE-LH TN002 . . . . . V70134	01
2	PH502	. PITOT TUBE-RH TN001 . . . . . V70134	01
		ATTACHING PARTS	
3	MS35207-226	. SCREW . . . . .	04
4	MS35338-41	. LOCK WASHER . . . . .	04
		—*—	
5	6314150-37	. SUPPORT TUBE ASSY-LH . . . . .	01
6	6314150-38	. SUPPORT TUBE ASSY-RH . . . . .	01
7	CM2944-4-24-00	. HOSE ASSY-PITOT PILOT . . . . .	01
8	MS21919WDG8	. CLAMP . . . . .	01
		ATTACHING PARTS	
9	MS27039-1-14	. SCREW . . . . .	01
10	NAS43DD3-19FC	. SPACER . . . . .	01
11	NAS1149F0363P	. WASHER . . . . .	01
12	MS21044N3	. NUT . . . . .	01
		—*—	
13	NAS557-12A	. GROMMET . . . . .	02
-	14	DELETED-NOT USED	
15		. AIR DATA COMPUTER-PILOT REFER TO 34-12-00 FIGURE 01 . . . . .	RF
16	S3150B0114-000E	. HOSE ASSY-PITOT COPILOT . . . . .	01
17	AS4407D0404	. ELBOW ASSY . . . . .	03
18	AS1035W040404	. TEE . . . . .	01
19	S3150B0184-000E	. HOSE ASSY-PITOT COPILOT . . . . .	01
20		. AIR DATA COMPUTER-CO-PILOT REFER TO 34-12-00 FIGURE 01 . . . . .	RF
21	6314137-12	. TUBE ASSY-PITOT STANDBY . . . . .	01
22	AS5174D0404	. UNION . . . . .	01
23	6314137-11	. TUBE ASSY-PITOT STANDBY . . . . .	01
24	MS35489-7	. GROMMET . . . . .	03
25	6314136-17	. BRACKET ASSY . . . . .	01
-	26	. NUTPLATE . . . . .	01
27	MS21919WDG4	. CLAMP . . . . .	05
		ATTACHING PARTS	
28	MS27039-1-08	. SCREW . . . . .	01
		—*—	
29	6314137-10	. TUBE ASSY-PITOT STANDBY . . . . .	01
30	MS21919WDG4	. CLAMP . . . . .	01
		ATTACHING PARTS	
31	MS27039-1-12	. SCREW . . . . .	01
32	NAS43DD3-19FC	. SPACER . . . . .	01
		—*—	
33	AS1038W0404V	. ELBOW . . . . .	01
34	NAS1523AA7B	. O-RING . . . . .	01
35	AN924-4D	. NUT . . . . .	01
36	6314136-3	. BRACKET ASSY . . . . .	01
-	37	. NUTPLATE . . . . .	01
38	6314136-9	. BRACKET ASSY . . . . .	01
-	39	. NUTPLATE . . . . .	01
40	6314137-9	. TUBE ASSY . . . . .	01
41	6314136-11	. BRACKET ASSY . . . . .	01
-	42	. NUTPLATE . . . . .	01
43	AN821-4D	. ELBOW . . . . .	01
44	S3150B0125-000E	. HOSE ASSY . . . . .	01
45	1QF1-2-46A	. QUICK DISCONNECT FITTING . . . . .	01

- ITEM NOT ILLUSTRATED

CESSNA®  
MODEL 525 (SERIALS -0685 AND -0800 AND ON)  
ILLUSTRATED PARTS CATALOG

A89589



**DETAIL A**

STATIC SYSTEM  
FIGURE 02 (SHEET 1)

6310T1168  
A6314T1824

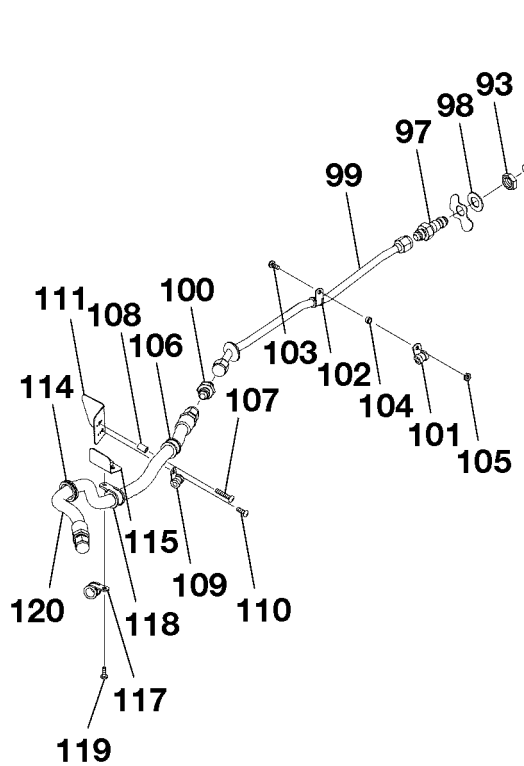
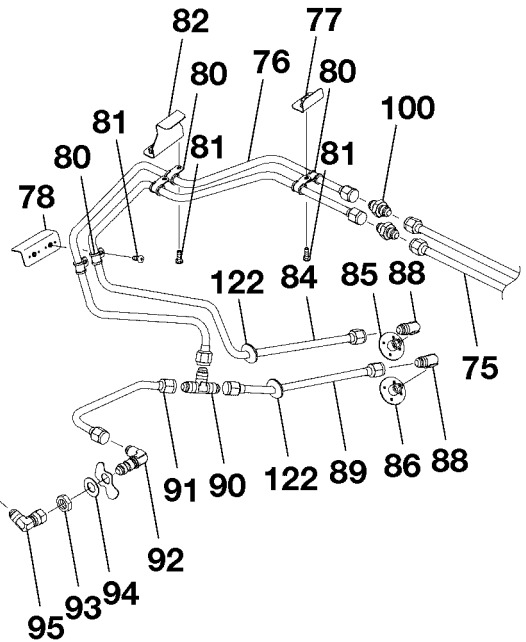
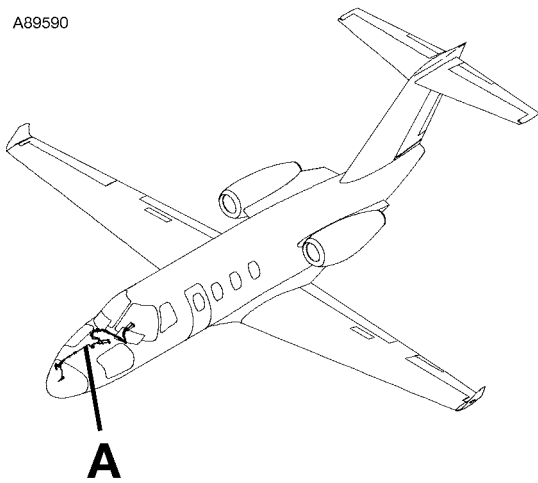
CESSNA®  
**MODEL 525 (SERIALS -0685 AND -0800 AND ON)**  
 ILLUSTRATED PARTS CATALOG

FIG ITEM	PART NUMBER	NOMENCLATURE	UNITS
			PER ASSY
02		STATIC SYSTEM	RF
-			
1		. AIR DATA COMPUTER- PILOT REFER TO 34-12-00 FIGURE 01 . . . . .	RF
2	CM2944-6-18	. HOSE ASSY-STATIC PILOT . . . . .	01
3	NAS557-14A	. GROMMET . . . . .	02
- 4		. DELETED-NOT USED . . . . .	
5	AS5174D0606	. UNION . . . . .	04
6	6314800-17	. TUBE ASSY-STATIC PILOT . . . . .	01
7		. PITOT TUBE-REFER TO 34-11-00 FIGURE 01 . . . . .	RF
8	5514190-66	. TUBE ASSY-STATIC PILOT . . . . .	01
9	53	. GROMMET . . . . . V77969	05
10	AN804D6	. TEE . . . . .	01
11	NAS1523AA9B	. O-RING . . . . .	01
12	AN924-6D	. NUT . . . . .	01
13	6314150-41	. TUBE ASSY . . . . .	01
14	CM2933-7	. HEATED STATIC PORT-TC002 . . . . .	01
15	CM2933-7	. HEATED STATIC PORT-TC003 . . . . .	01
- 16	320552	. TERMINAL . . . . .	02
17	MS20822-6-2D	. ELBOW . . . . .	02
18	6314137-5	. TUBE ASSY . . . . .	01
19	6314136-7	. BRACKET ASSY . . . . .	01
- 20	MS21059-3	. NUTPLATE . . . . .	01
21	MS21919WDG6	. CLAMP . . . . .	06
		ATTACHING PARTS	
22	MS27039-1-08	. SCREW . . . . .	01
		—*—	
23	6314137-6	. TUBE ASSY-STATIC PILOT . . . . .	01
24	6314136-15	. BRACKET ASSY . . . . .	01
		ATTACHING PARTS	
25	MS27039-1-06	. SCREW . . . . .	01
		—*—	
- 26	MS21059-3	. NUTPLATE . . . . .	02
27	6314137-4	. TUBE ASSY-STATIC COPILOT . . . . .	01
28	AS1035W060606	. TEE . . . . .	01
29	S3150B0135-000G	. HOSE ASSY-STATIC COPILOT . . . . .	01
30	1QF1-3-66A	. QUICK DISCONNECT FITING . . . . .	01
31	6314136-13	. BRACKET ASSY . . . . .	01
- 32	MS21059-3	. NUTPLATE . . . . .	01

- ITEM NOT ILLUSTRATED

CESSNA®  
**MODEL 525 (SERIALS -0685 AND -0800 AND ON)**  
 ILLUSTRATED PARTS CATALOG

A89590



**DETAIL A**

STATIC SYSTEM  
 FIGURE 02 (SHEET 2)

6310T1168  
 A6314T1825



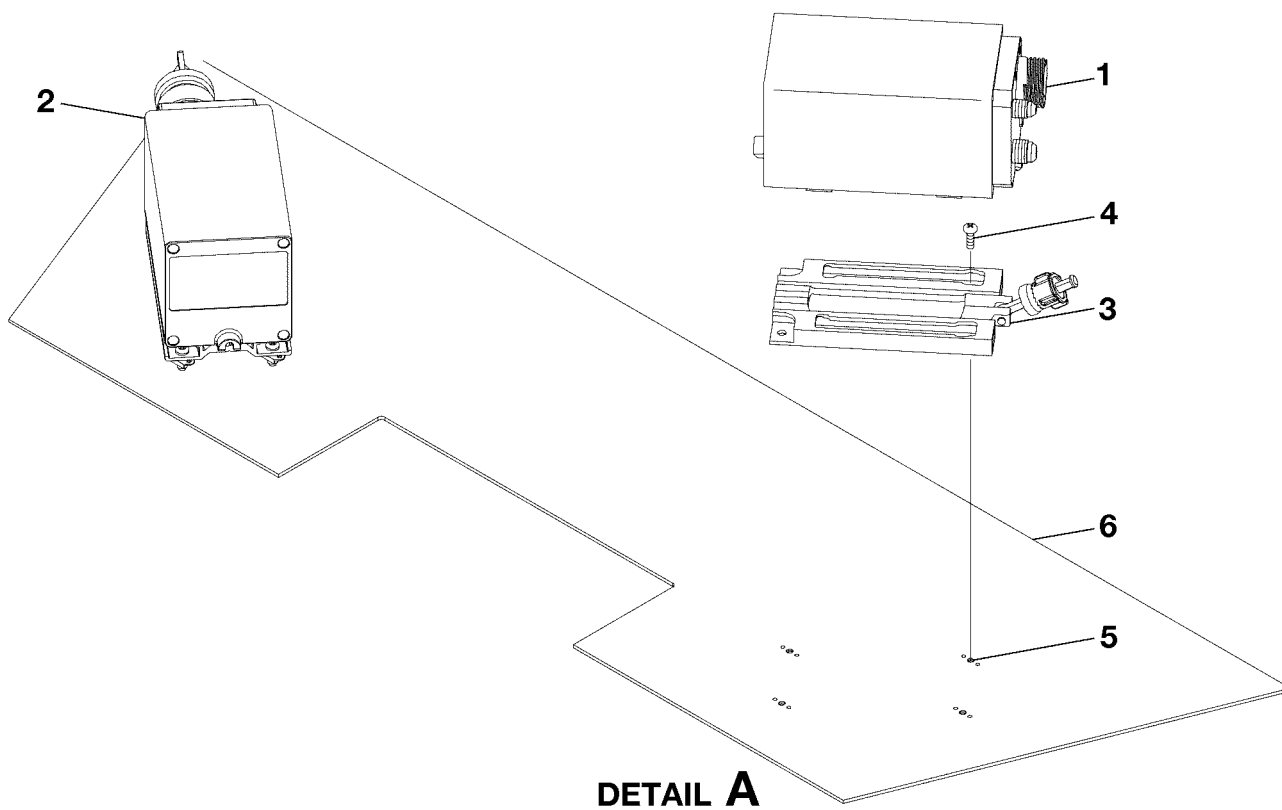
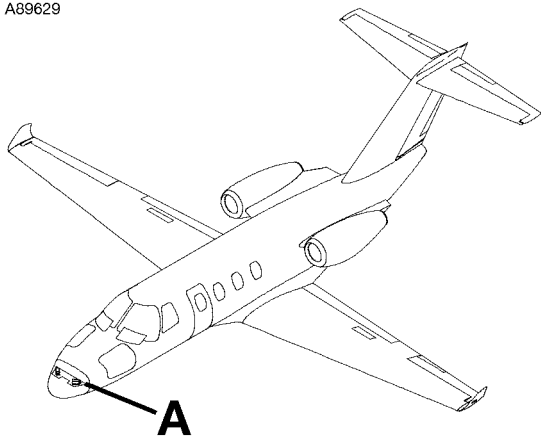
CESSNA®  
**MODEL 525 (SERIALS -0685 AND -0800 AND ON)**  
 ILLUSTRATED PARTS CATALOG

FIG ITEM	PART NUMBER	NOMENCLATURE	UNITS PER ASSY
	1 2 3 4 5 6 7		
02			
75	6314137-7	. TUBE ASSY-STATIC PILOT . . . . .	01
76	6314137-3	. TUBE ASSY-STATIC COPILOT . . . . .	01
77	6314136-5	. BRACKET ASSY . . . . .	01
78	6314136-15	. BRACKET ASSY . . . . .	01
- 79	MS21059-3	. NUTPLATE . . . . .	01
80	MS21919WDG6	. CLAMP . . . . . ATTACHING PARTS	06
81	MS27039-1-08	. SCREW . . . . . —*—	01
82	6314136-2	. BRACKET ASSY . . . . .	01
- 83	MS21076L3N	. NUTPLATE . . . . .	02
84	6314137-8	. TUBE ASSY . . . . .	01
85	CM2933-7	. HEATED STATIC PORT-TF001 . . . . .	01
86	CM2933-7	. HEATED STATIC PORT-TF002 . . . . .	01
- 87	320552	. TERMINAL . . . . .	02
88	MS20822-6-2D	. ELBOW . . . . .	02
89	6314137-2	. TUBE ASSY-STATIC COPILOT . . . . .	01
90	AS1035W060606	. TEE . . . . .	01
91	6314137-1	. TUBE ASSY-STATIC COPILOT . . . . .	01
92	AN833-6D	. ELBOW . . . . .	01
93	AN924-6D	. NUT . . . . .	02
94	NAS1523AA9B	. O-RING WITH RETAINER-BETWEEN NUT AND BULKHEAD . . . . .	01
95	AS4407D0606	. ELBOW ASSY . . . . .	01
96	6314006-12	. TUBE ASSY-STATIC COPILOT . . . . .	01
97	AN832-6D	. UNION . . . . .	01
98	NAS1149F0963P	. WASHER . . . . .	01
99	6314137-13	. TUBE ASSY-STATIC COPILOT . . . . .	01
100	AS5174D0606	. UNION . . . . .	01
101	MS21919WDG4	. CLAMP . . . . .	01
102	MS21919WDG6	. CLAMP . . . . . ATTACHING PARTS	01
103	MS27039-1-08	. SCREW . . . . .	01
104	NAS43DD3-11FC	. SPACER . . . . .	01
105	MS21044D3	. NUT . . . . . —*—	01
106	MS21919WDG10	. CLAMP . . . . . ATTACHING PARTS	01
107	MS27039-1-15	. SCREW . . . . .	01
108	NAS43DD3-30FC	. SPACER . . . . . —*—	01
109	MS21919WDG4	. CLAMP . . . . . ATTACHING PARTS	01
110	MS27039-1-08	. SCREW . . . . . —*—	01
111	6314136-19	. BRACKET ASSY . . . . .	01
- 112	MS21071-3	. NUTPLATE . . . . .	01
- 113	MS21076L3N	. NUTPLATE . . . . .	01
114	NAS557-14A	. GROMMET . . . . .	01
115	6314136-21	. BRACKET ASSY . . . . .	01
- 116	MS21059-3	. NUTPLATE . . . . .	01
117	MS21919WDG8	. CLAMP . . . . .	01
118	MS21919WDG10	. CLAMP . . . . . ATTACHING PARTS	01
119	MS27039-1-08	. SCREW . . . . . —*—	01
120	CM2944-6-22.00	. HOSE ASSY-STATIC STANDBY . . . . .	01
- 121		. DELETED-NOT USED . . . . .	
122	53	. GROMMET . . . . .	04

- ITEM NOT ILLUSTRATED

CESSNA®  
MODEL 525 (SERIALS -0685 AND -0800 AND ON)  
ILLUSTRATED PARTS CATALOG

A89629



GARMIN GDC 7400 AIR DATA COMPUTER  
FIGURE 01 (SHEET 1)

6310T1168  
A6318T1917

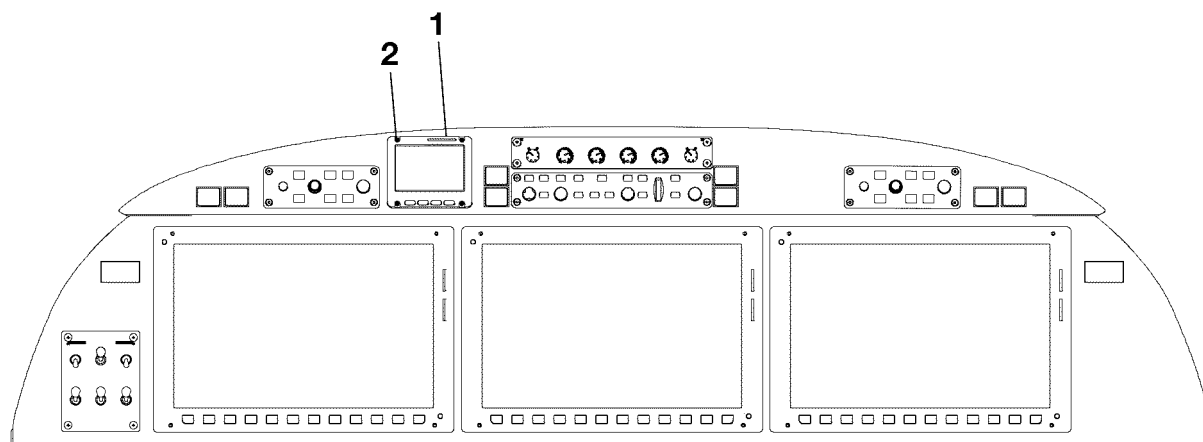
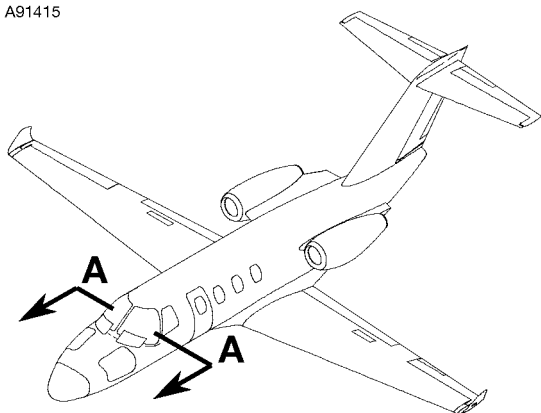
CESSNA®  
**MODEL 525 (SERIALS -0685 AND -0800 AND ON)**  
 ILLUSTRATED PARTS CATALOG

FIG ITEM	PART NUMBER	1 2 3 4 5 6 7	NOMENCLATURE	UNITS
				PER ASSY
01				
-			GARMIN GDC 7400 AIR DATA COMPUTER	RF
1	011-02337-01		. RVSM-AIR DATA COMPUTER-LH UN363 . . . . . V0TRC3	01
2	011-02337-01		. RVSM-AIR DATA COMPUTER-RH UN362 . . . . . V0TRC3	01
3	011-02363-00		. REMOTE RACK-GDC7400 . . . . . V0TRC3	02
			ATTACHING PARTS	
4	MS35206-245		. SCREW . . . . .	04
5	MS21075L08N		. NUTPLATE . . . . .	04
			—*—	
6			. SHELF-REFER TO 25-70-00 FIGURE 01 . . . . .	RF

- ITEM NOT ILLUSTRATED

CESSNA®  
MODEL 525 (SERIALS -0685 AND -0800 AND ON)  
ILLUSTRATED PARTS CATALOG

A91415



VIEW A-A

ELECTRONIC STANDBY INDICATOR  
FIGURE 01 (SHEET 1)

6310T1168  
AA6319T1558

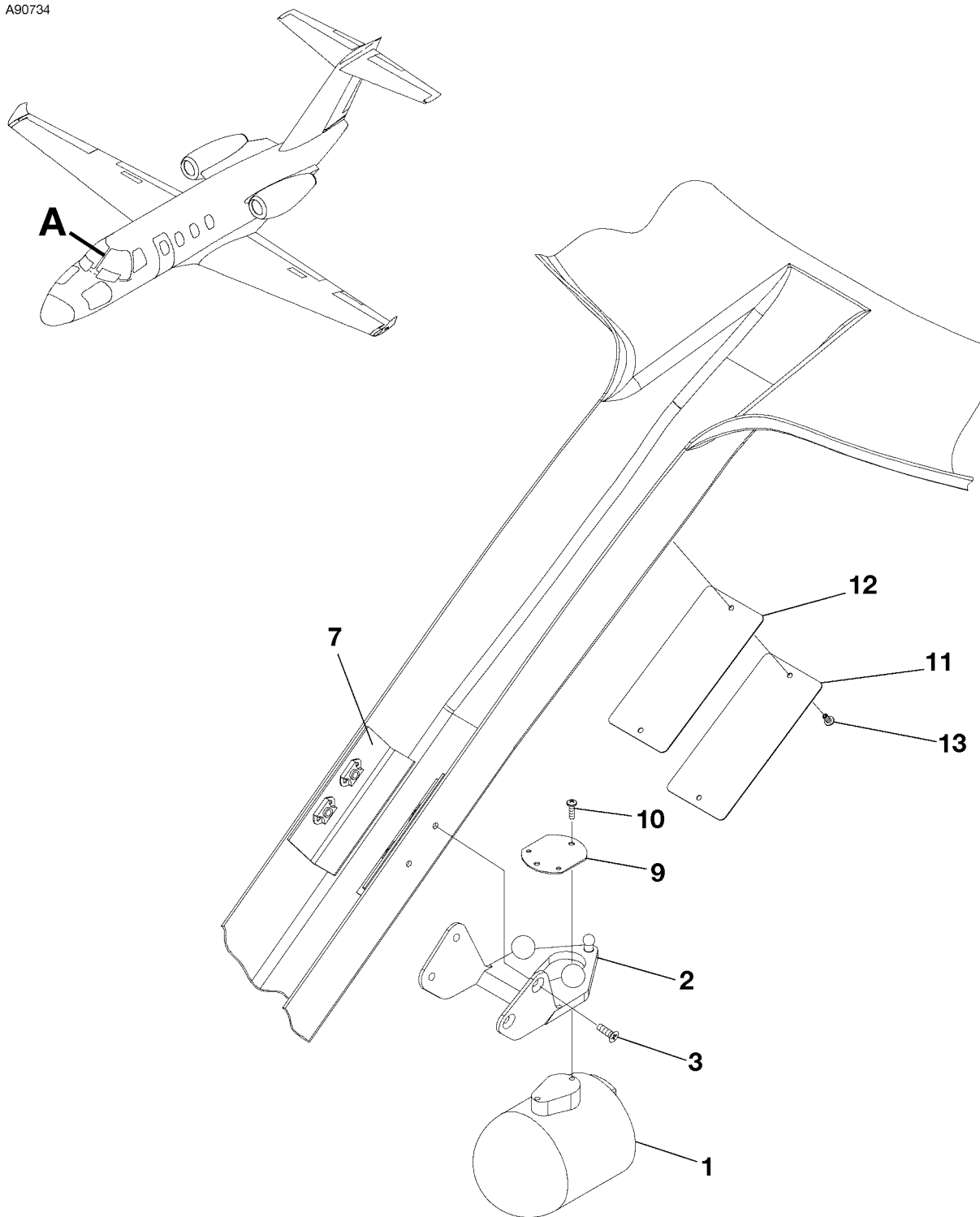
CESSNA®  
**MODEL 525 (SERIALS -0685 AND -0800 AND ON)**  
 ILLUSTRATED PARTS CATALOG

FIG ITEM	PART NUMBER	1 2 3 4 5 6 7	NOMENCLATURE	UNITS
				PER ASSY
01			ELECTRONIC STANDBY INDICATOR	RF
-				
1	9200-32100-0201		. ELECTRONIC STANDBY INDICATOR-ESI-1000 UI011 . . . . . V25583	01
			ATTACHING PARTS	
2	NAS1352-06-14		. SCREW . . . . .	04
			—*—	

- ITEM NOT ILLUSTRATED

CESSNA®  
MODEL 525 (SERIALS -0685 AND -0800 AND ON)  
ILLUSTRATED PARTS CATALOG

A90734



**DETAIL A**

ATTITUDE AND DIRECTIONAL INSTRUMENTS  
FIGURE 01 (SHEET 1)

6310T1168  
A6314T1856

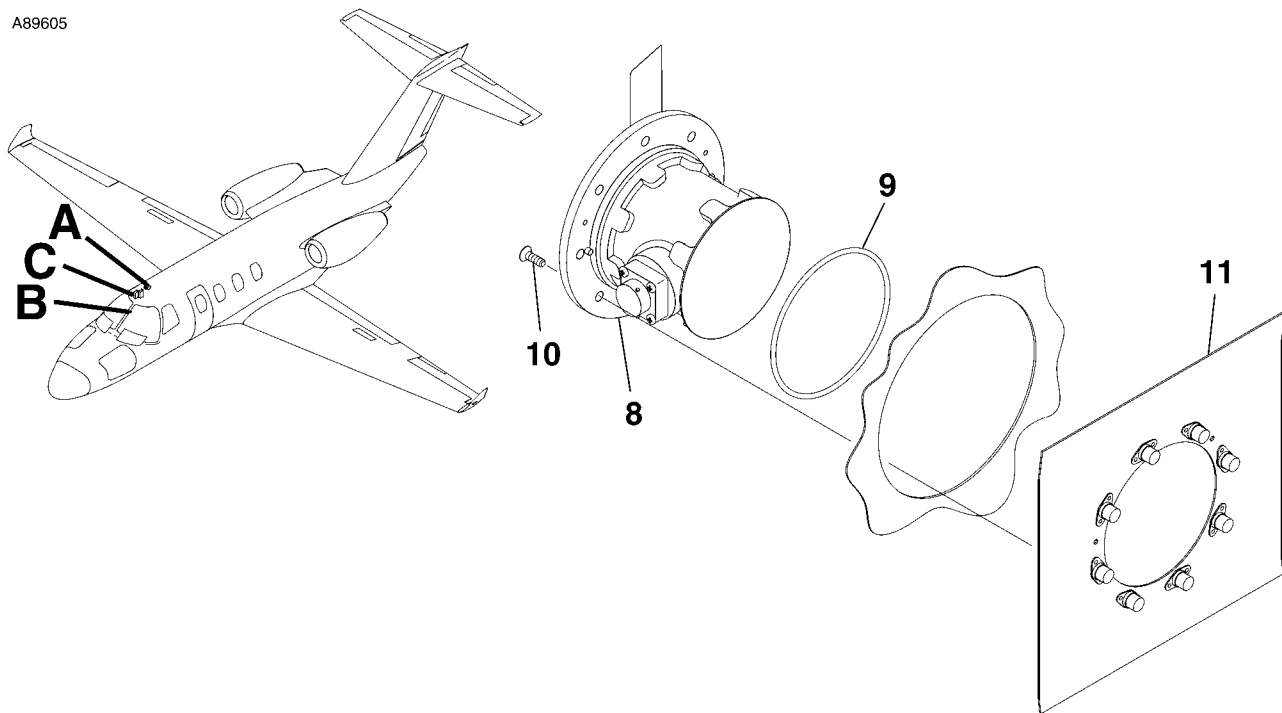
CESSNA®  
**MODEL 525 (SERIALS -0685 AND -0800 AND ON)**  
 ILLUSTRATED PARTS CATALOG

FIG ITEM	PART NUMBER	NOMENCLATURE	UNITS PER ASSY	
			1 2 3 4 5 6 7	
01		ATTITUDE AND DIRECTIONAL INSTRUMENTS		RF
-		. COMPASS . . . . .		01
1	C660501-0301	. BRACKET ASSY . . . . .		01
2	5518154-38	. ATTACHING PARTS		
3	MS24693NB27	. SCREW . . . . .		04
		—*—		
- 4	5518154-39	. BRACKET . . . . .		01
- 5	MS24693NB5	. SCREW . . . . .		01
- 6	MS24693NB6	. SCREW . . . . .		02
7	5518154-25	. ANGLE ASSY . . . . .		02
- 8	MS21075L06N	. NUTPLATE . . . . .		02
9	5518154-40	. PLATE . . . . .		01
		. ATTACHING PARTS		
10	MS35214-14	. SCREW . . . . .		02
		—*—		
11	5119405-12	. CARD COVER . . . . .		01
12	5119405-13	. COMPASS CARD . . . . .	0800	0941 01 R
- 12A	7005006-2	. PLACARD-STANDBY COMPASS . . . . .	0942	& ON 01 R
13	MS24622-8	. SCREW . . . . .		02

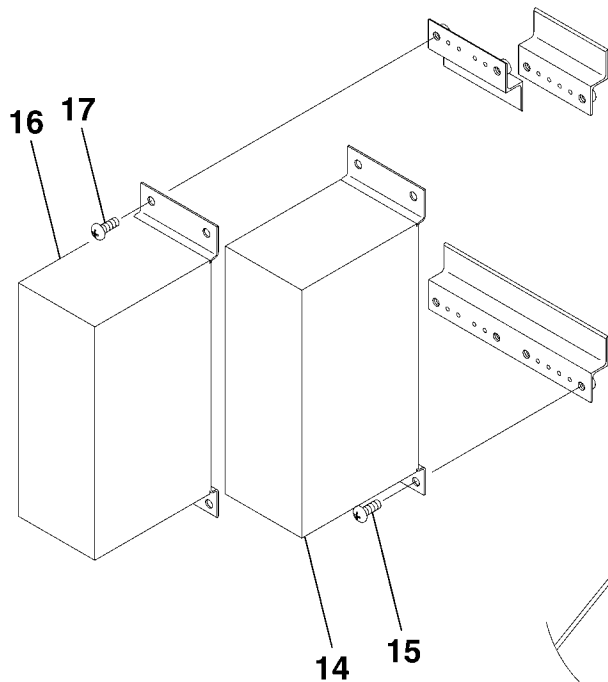
- ITEM NOT ILLUSTRATED

CESSNA®  
**MODEL 525 (SERIALS -0685 AND -0800 AND ON)**  
 ILLUSTRATED PARTS CATALOG

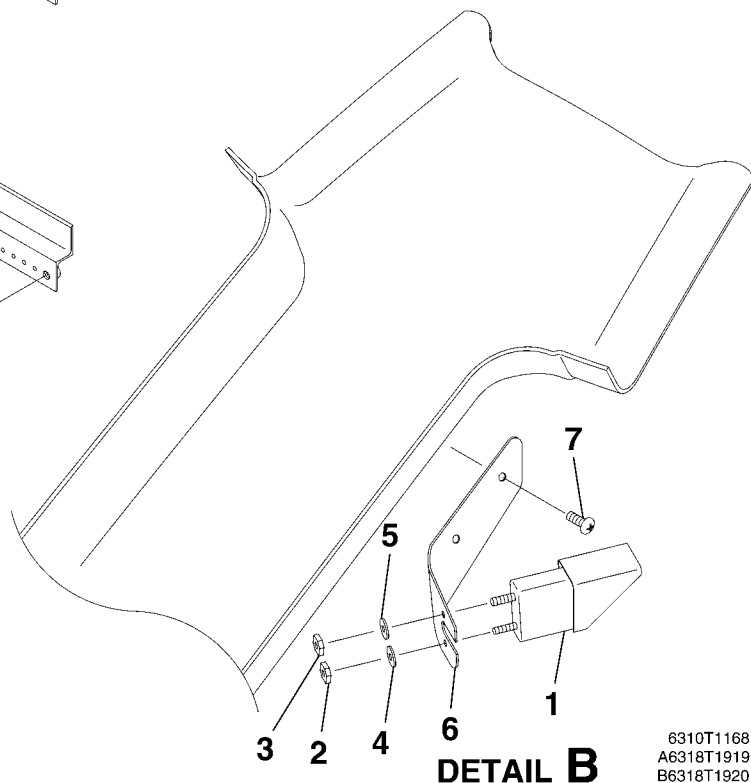
A89605



**DETAIL A**



**DETAIL C**



**DETAIL B**

6310T1168  
 A6318T1919  
 B6318T1920

ANGLE OF ATTACK (AOA) SYSTEM  
 FIGURE 01 (SHEET 1)



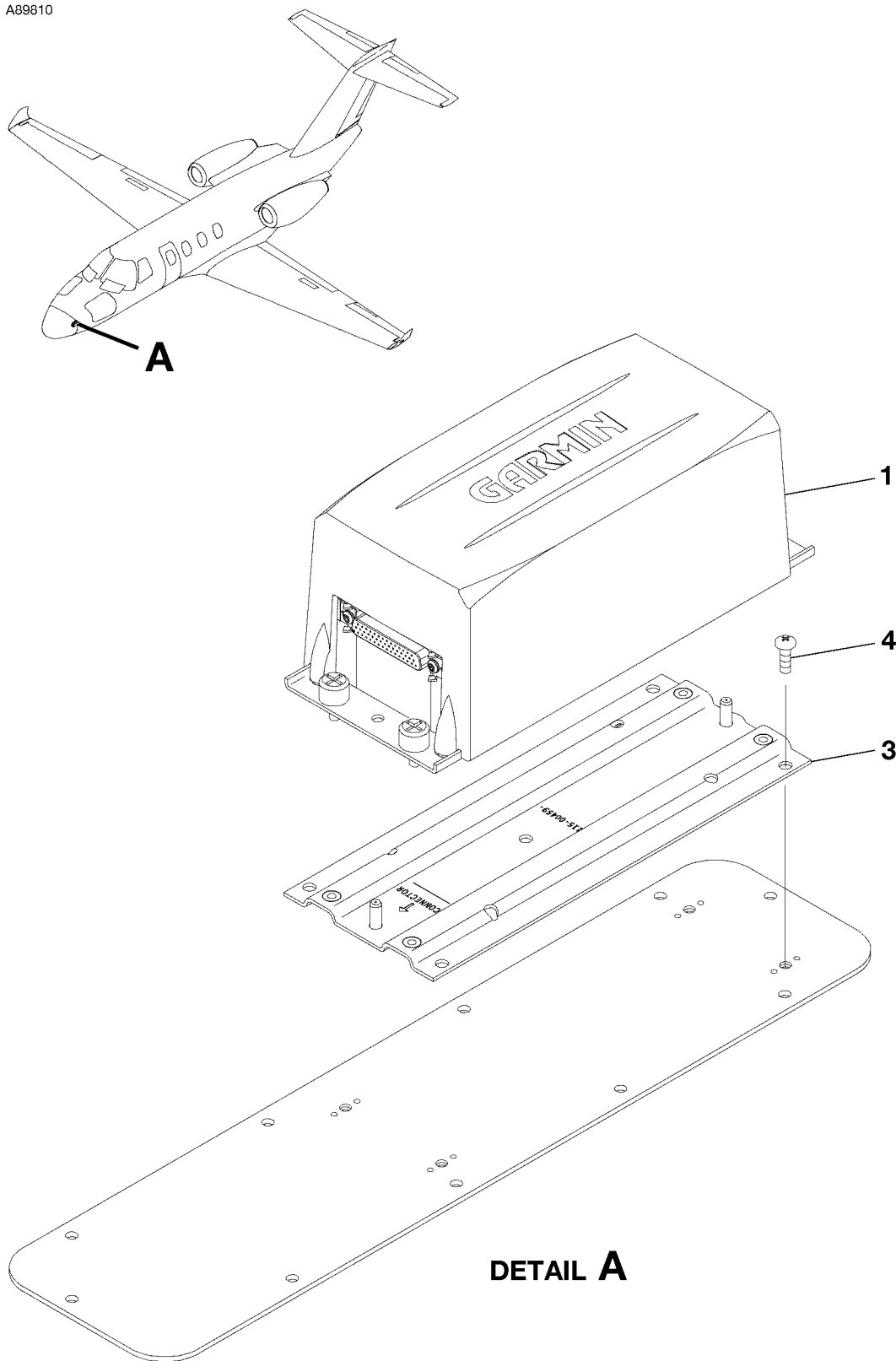
CESSNA®  
**MODEL 525 (SERIALS -0685 AND -0800 AND ON)**  
 ILLUSTRATED PARTS CATALOG

FIG ITEM	PART NUMBER	NOMENCLATURE	UNITS
			PER ASSY
		1 2 3 4 5 6 7	
01		ANGLE OF ATTACK (AOA) SYSTEM	RF
-			
1	C12463-3	. INDEXER-AOA . . . . . V83326	01
		ATTACHING PARTS	
2		. NUT-SUPPLIED WITH INDEXER . . . . .	RF
3		. NUT-SUPPLIED WITH INDEXER . . . . .	RF
4		. WASHER-SUPPLIED WITH INDEXER . . . . .	RF
5		. WASHER-SUPPLIED WITH INDEXER . . . . .	RF
		—*—	
6	6518146-5	. BRACKET-INDEXER MOUNT . . . . .	01
		ATTACHING PARTS	
7	MS35214-24	. SCREW . . . . .	02
		—*—	
8	C12417-2	. SENSOR-AOA . . . . . V83326	01
9	MS29561-248	. O-RING . . . . .	01 R
		ATTACHING PARTS	
10	MS24694-C51	. SCREW . . . . .	08 R
		—*—	
11	6311011-6	. DOUBLER ASSY . . . . .	01 R
-	12	NAS1473A3 . . . . .	08 R
-	13	6311011-2 . . . . .	01 R
14	C-12406-5	. AOA COMPUTER-UC002 . . . . . V83326	01 R
		ATTACHING PARTS	
15	MS35207-263	. SCREW . . . . .	04 R
		—*—	
16	C12421-1	. INDEXER CONTROLLER-STALL WARNING UC023 . . . . . V83326	01 R
		ATTACHING PARTS	
17	MS35207-263	. SCREW . . . . .	04 R
		—*—	

- ITEM NOT ILLUSTRATED

CESSNA®  
MODEL 525 (SERIALS -0685 AND -0800 AND ON)  
ILLUSTRATED PARTS CATALOG

A89810



**DETAIL A**

GARMIN ATTITUDE HEADING REFERENCE SYSTEM (AHRS)  
FIGURE 01 (SHEET 1)

6310T1168  
A6318T1893

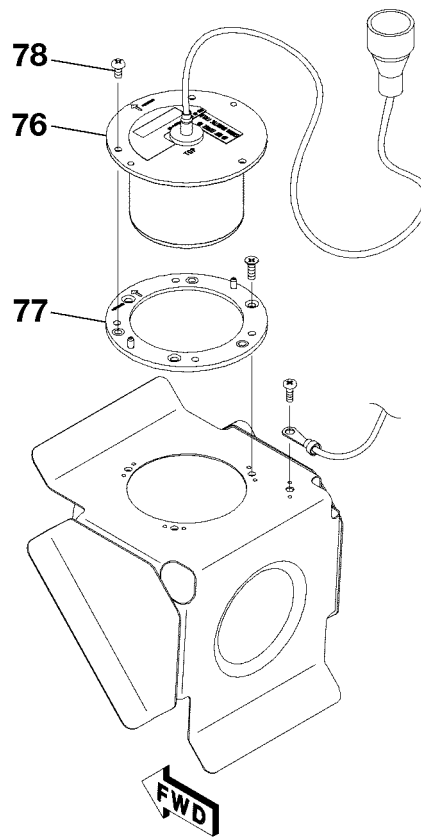
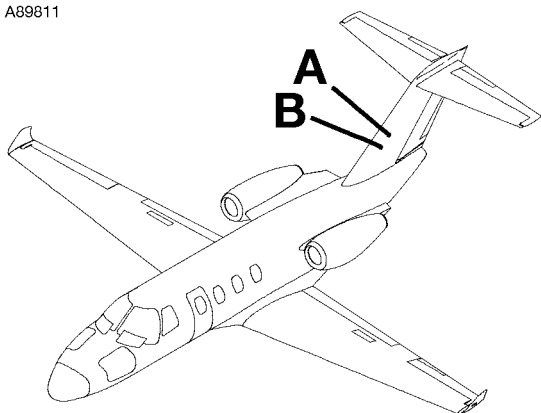
CESSNA®  
**MODEL 525 (SERIALS -0685 AND -0800 AND ON)**  
 ILLUSTRATED PARTS CATALOG

FIG ITEM	PART NUMBER	NOMENCLATURE	UNITS
			PER ASSY
01			
-		GARMIN ATTITUDE HEADING REFERENCE SYSTEM (AHRS)	RF
1	S3100-511	. AHRS-LH UN365 . . . . .	01
- 2	S3100-511	. AHRS-RH UN366 . . . . .	01
3	115-00459-00	. MOUNTING RACK . . . . . V0TRC3 ATTACHING PARTS	02
4	MS27039-0808	. SCREW . . . . . —*—	05

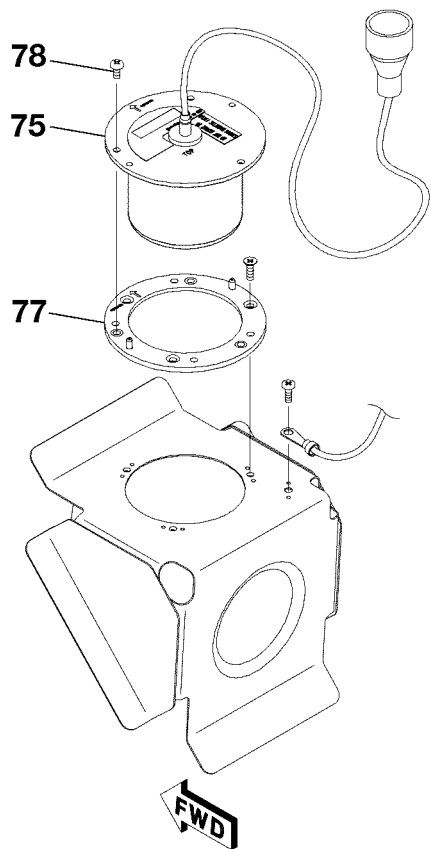
- ITEM NOT ILLUSTRATED

CESSNA®  
**MODEL 525 (SERIALS -0685 AND -0800 AND ON)**  
 ILLUSTRATED PARTS CATALOG

A89811



**DETAIL A**



**DETAIL B**

GARMIN ATTITUDE HEADING REFERENCE SYSTEM (AHRS)  
 FIGURE 01 (SHEET 2)

6310T1168  
 A6318T1892  
 B6318T1892

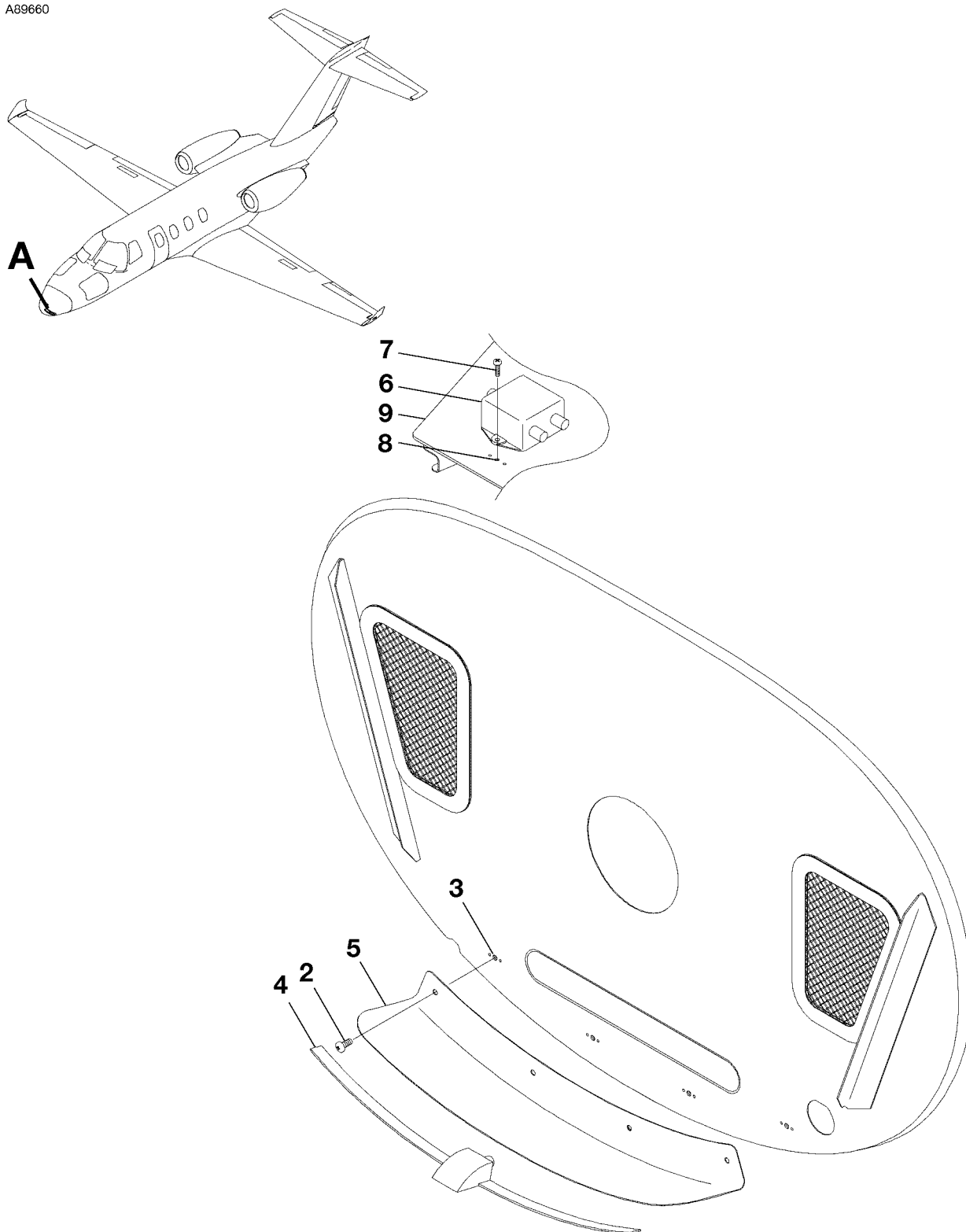
CESSNA®  
**MODEL 525 (SERIALS -0685 AND -0800 AND ON)**  
 ILLUSTRATED PARTS CATALOG

FIG ITEM	PART NUMBER	1 2 3 4 5 6 7	NOMENCLATURE	UNITS PER ASSY
01				
75	011-00870-10	.	MAGNETOMETER-LWR UV300 . . . . . V0TRC3	01
76	011-00870-10	.	MAGNETOMETER-UPR UV301 . . . . . V0TRC3	01
77	115-00481-10	.	MOUNTING RACK . . . . . V0TRC3	02
			ATTACHING PARTS	
78	MS24693-B27	.	SCREW . . . . .	03
			—*—	

- ITEM NOT ILLUSTRATED

CESSNA®  
MODEL 525 (SERIALS -0685 AND -0800 AND ON)  
ILLUSTRATED PARTS CATALOG

A89660



**DETAIL A**

GLIDESLOPE SYSTEM  
FIGURE 01 (SHEET 1)

6310T1168

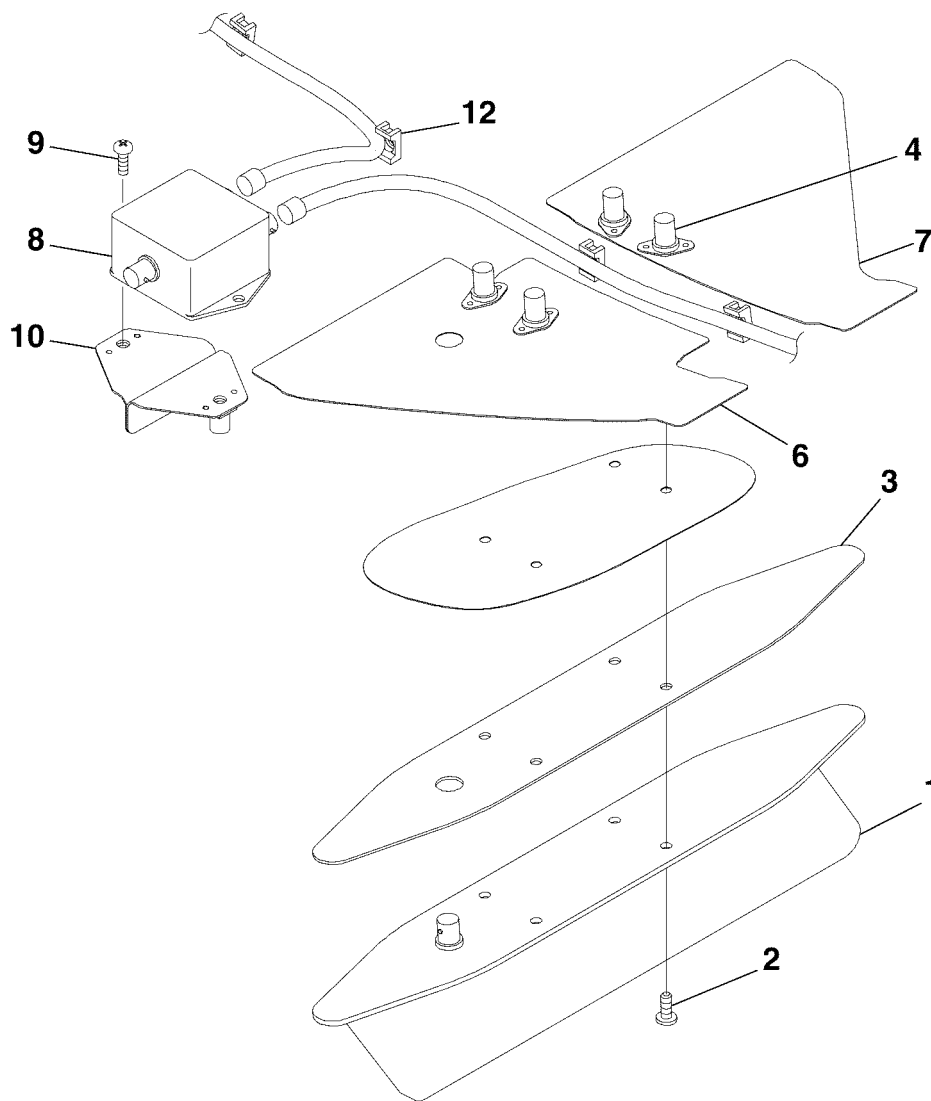
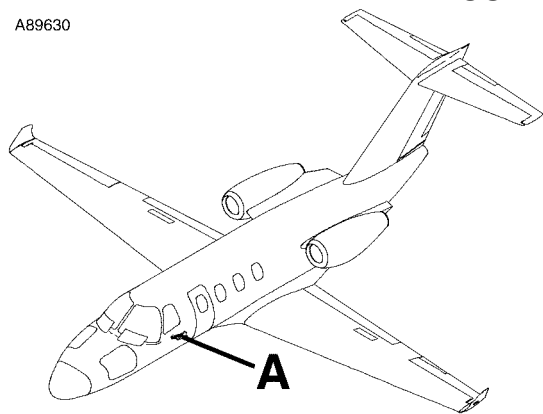
CESSNA®  
**MODEL 525 (SERIALS -0685 AND -0800 AND ON)**  
 ILLUSTRATED PARTS CATALOG

FIG ITEM	PART NUMBER	NOMENCLATURE	UNITS
			PER ASSY
01		GLIDESLOPE SYSTEM	RF
-		. ANTENNA MOUNT ASSY . . . . .	01
- 1	8718018-4	. ATTACHING PARTS	
2	MS27039-1-07	. SCREW . . . . .	04
3	MS21075L3N	. NUTPLATE . . . . .	04
		—*—	
4	RGS10-48	. . ANTENNA-GLIDESLOPE . . . . . V55635	01
5	8718018-5	. . MOUNTING BRACKET . . . . .	01
6	DGSC20-02	. COUPLER . . . . . V55635	01
		. ATTACHING PARTS	
7	MS35206-230	. SCREW . . . . .	02
		—*—	
8	MS21059L06	. NUTPLATE . . . . .	02
9		. AVONIC EQUIPMENT SUPPORT-REFER TO 25-70-00 FIGURE 01 . . . . .	RF

- ITEM NOT ILLUSTRATED

CESSNA®  
MODEL 525 (SERIALS -0685 AND -0800 AND ON)  
ILLUSTRATED PARTS CATALOG

A89630



**DETAIL A**

MARKER BEACON SYSTEM  
FIGURE 01 (SHEET 1)

6310T1168  
A6318T1916



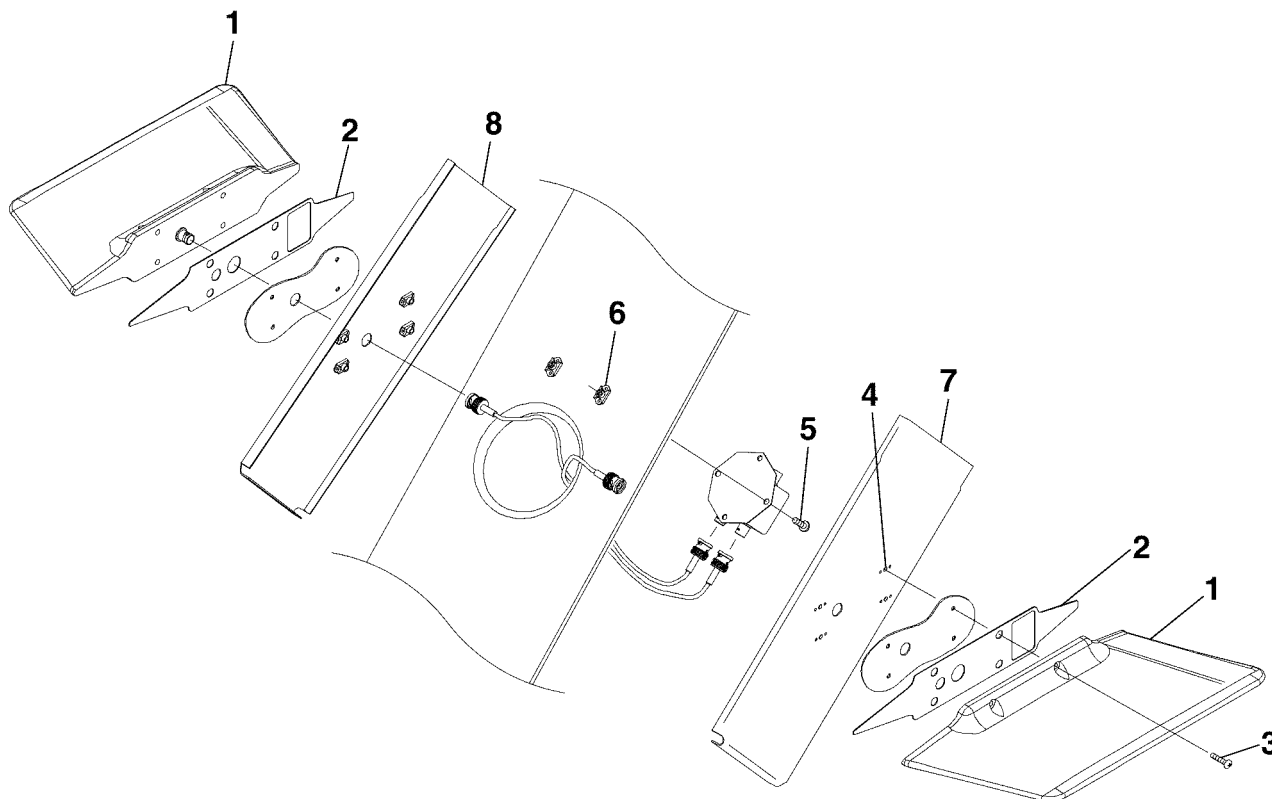
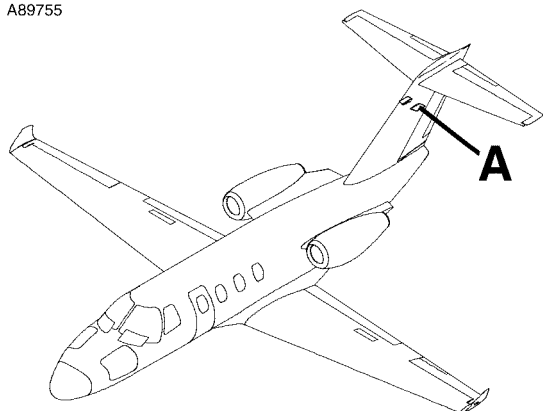
CESSNA®  
**MODEL 525 (SERIALS -0685 AND -0800 AND ON)**  
 ILLUSTRATED PARTS CATALOG

FIG ITEM	PART NUMBER	NOMENCLATURE	UNITS
			PER ASSY
01		MARKER BEACON SYSTEM	RF
-		. ANTENNA-MARKER BEACON . . . . .	01
1	9154082-48	. ATTACHING PARTS	
2	MS27039C1-09	. SCREW . . . . .	04 R
3	TXT898-046	. GASKET-ANTENNA . . . . . V1NPE1	01 R
4	NAS1473A3	. NUTPLATE . . . . .	04 R
		—*—	
- 5	MB10-754	. . ANTENNA . . . . . V55635	01 R
6	9103001-5	. DOUBLER-FWD . . . . .	01 R
7	9103001-7	. DOUBLER-AFT . . . . .	01 R
8	DMB20-20	. COUPLER . . . . . V55635	01 R
		. ATTACHING PARTS	
9	MS35206-245	. SCREW . . . . .	02 R
		—*—	
10	9103010-9	. CLIP ASSY . . . . .	02 R
- 11	NAS1473A08	. . NUTPLATE . . . . .	01 R
12	S1741-1	. ANCHOR . . . . .	04 R

- ITEM NOT ILLUSTRATED

CESSNA®  
MODEL 525 (SERIALS -0685 AND -0800 AND ON)  
ILLUSTRATED PARTS CATALOG

A89755



**DETAIL A**

VHF NAVIGATION SYSTEM  
FIGURE 01 (SHEET 1)

6310T1168  
A6318T1905

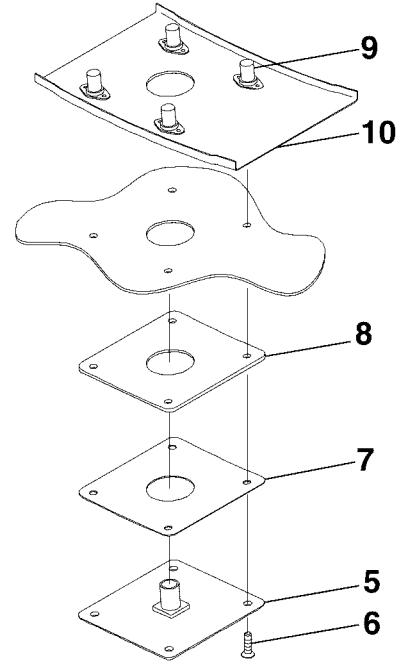
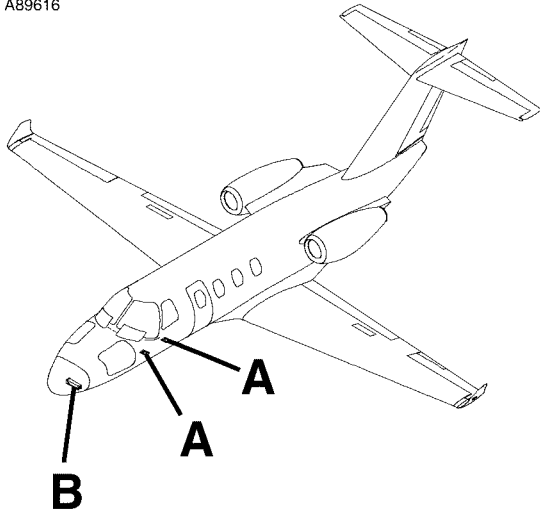
CESSNA®  
**MODEL 525 (SERIALS -0685 AND -0800 AND ON)**  
 ILLUSTRATED PARTS CATALOG

FIG ITEM	PART NUMBER	1 2 3 4 5 6 7	NOMENCLATURE	UNITS PER ASSY
01			VHF NAVIGATION SYSTEM	RF
-				
1	S65-247-38		. ANTENNA-YV600 REFER TO NOTE 1 . . . . . V13691	01
			ATTACHING PARTS	
2	TXT898-041		. GASKET . . . . .	01 R
3	MS27039C0812		. SCREW . . . . .	08 R
4	MS21075L08N		. NUTPLATE . . . . .	08 R
			—*—	
5	MS27039-1-07		. SCREW . . . . .	02 R
6	MS21075L3N		. NUTPLATE . . . . .	02 R
7	9103003-5		. DOUBLER CHANNEL-LH . . . . .	01 R
8	9103003-4		. DOUBLER CHANNEL-RH . . . . .	01 R

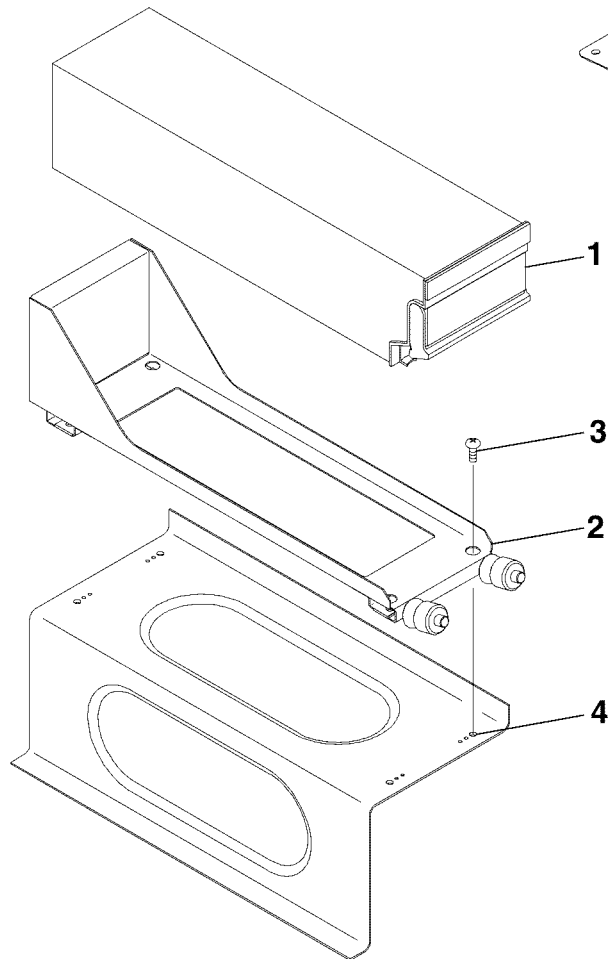
NOTE 1—ANTENNA BLADES MUST BE REPLACED IN MATCHED SETS

CESSNA®  
MODEL 525 (SERIALS -0685 AND -0800 AND ON)  
ILLUSTRATED PARTS CATALOG

A89616



**DETAIL A**



**DETAIL B**

RADIO ALTIMETER  
FIGURE 01 (SHEET 1)

6310T1168  
A6318T1889  
B6318T1890

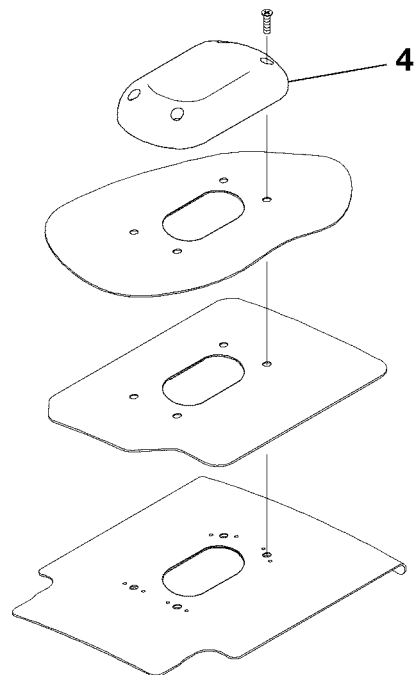
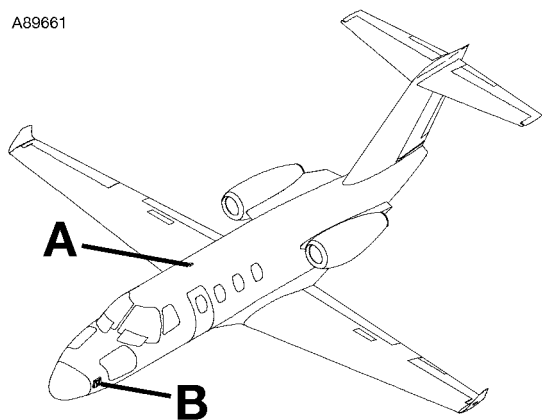
CESSNA®  
**MODEL 525 (SERIALS -0685 AND -0800 AND ON)**  
 ILLUSTRATED PARTS CATALOG

FIG ITEM	PART NUMBER	1 2 3 4 5 6 7	NOMENCLATURE	UNITS PER ASSY
01			RADIO ALTIMETER	RF
-				
1	822-0615-206		. ALTIMETER-4000 UN821 . . . . . V4V792	01
2	622-5212-001		. MOUNTING RACK . . . . . V13499	01
			ATTACHING PARTS	
3	MS35207-263		. SCREW . . . . .	04
4	MS21071L3		. NUTPLATE . . . . .	04
			—*—	
5	S67-2002		. ANTENNA . . . . . V13691	02 R
			ATTACHING PARTS	
6	MS24694-C55		. SCREW . . . . .	04 R
7	TXT898-023		. GASKET-ANTENNA . . . . . V1NPE1	01 R
8	9116005-3		. SPACER . . . . .	01 R
9	NAS1473A3		. NUTPLATE . . . . .	04 R
			—*—	
10	9116005-2		. DOUBLER . . . . .	02 R

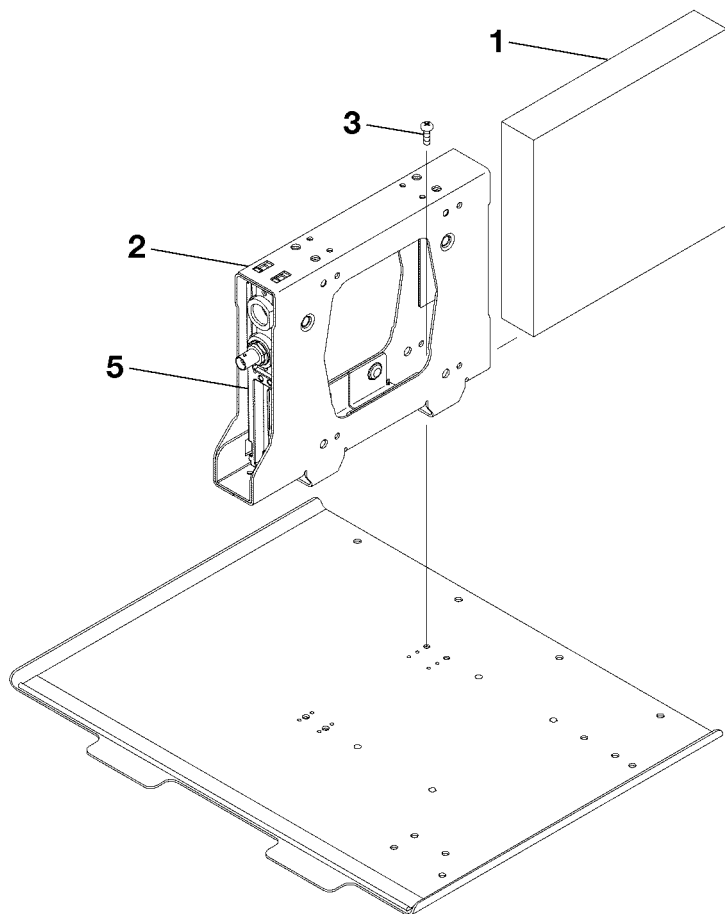
- ITEM NOT ILLUSTRATED

CESSNA®  
MODEL 525 (SERIALS -0685 AND -0800 AND ON)  
ILLUSTRATED PARTS CATALOG

A89661



**DETAIL A**



**DETAIL B**

GRAPHICAL WEATHER SYSTEM  
FIGURE 01 (SHEET 1)

6310T1168  
A6318T1893  
B6318T1910

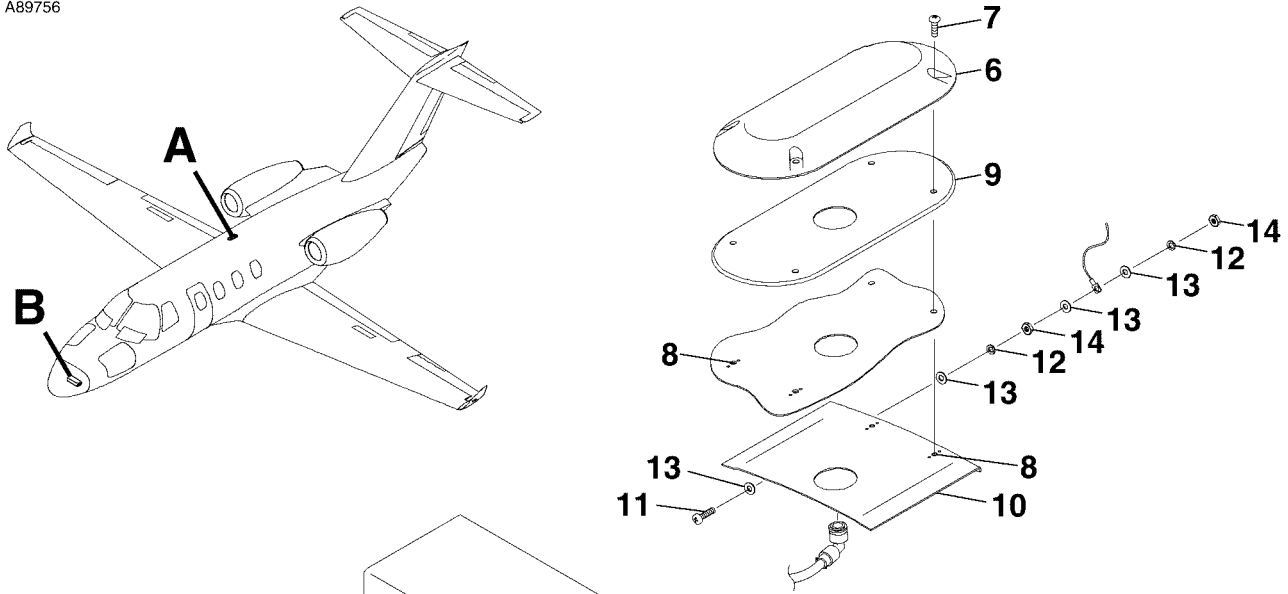
CESSNA®  
**MODEL 525 (SERIALS -0685 AND -0800 AND ON)**  
 ILLUSTRATED PARTS CATALOG

FIG ITEM	PART NUMBER	1 2 3 4 5 6 7	NOMENCLATURE	UNITS PER ASSY
01				
-			GRAPHICAL WEATHER SYSTEM	RF
1	011-00987-00		. DATA LINK-UN511 FSO S3100-489 . . . . . V0TRC3	NP R
- 1A	S3100-489		. DATA LINK-UN511 FOR SPARES ONLY . . . . .	01 R
2	115-00658-00		. REMOTE MOUNT RACK . . . . . V0TRC3	01
			ATTACHING PARTS	
3	MS35206-245		. SCREW . . . . .	04
			—*—	
4			. ANTENNA-REFER TO 34-61-05 FIGURE 01 . . . . .	RF R
5	011-00796-35		. BACKPLATE ASSY . . . . . V0TRC3	01 R

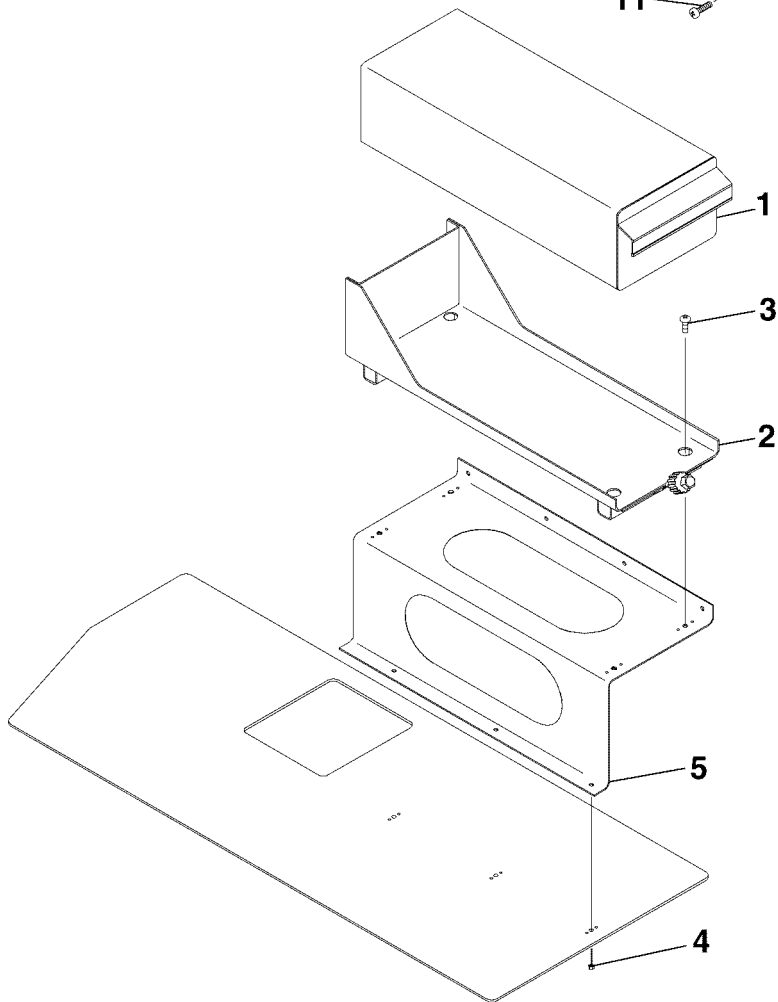
- ITEM NOT ILLUSTRATED

CESSNA®  
MODEL 525 (SERIALS -0685 AND -0800 AND ON)  
ILLUSTRATED PARTS CATALOG

A89756



**DETAIL A**



**DETAIL B**

STORMSCOPE INSTALLATION  
FIGURE 02 (SHEET 1)

6310T1168  
A6318T1903  
B6318T1904



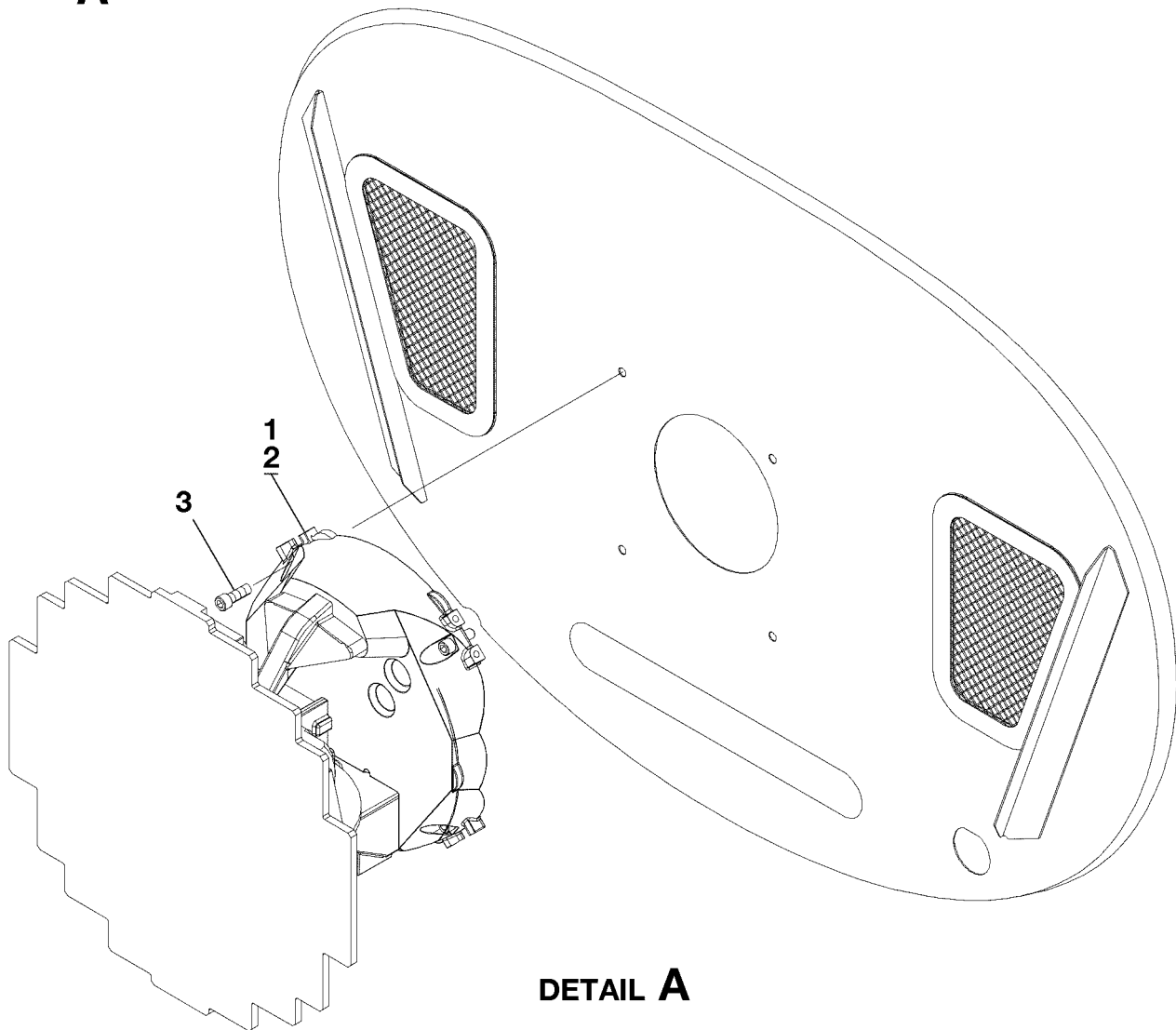
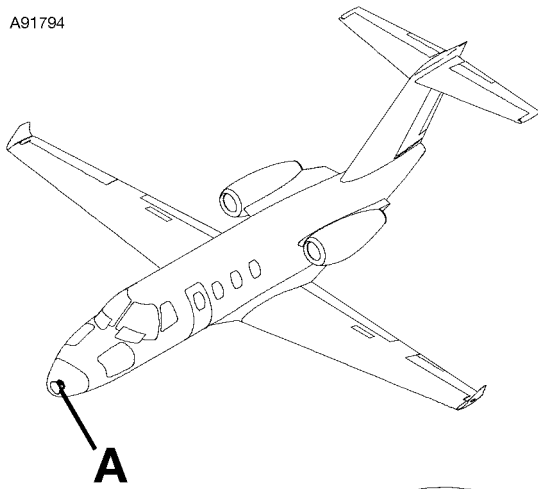
CESSNA®  
**MODEL 525 (SERIALS -0685 AND -0800 AND ON)**  
 ILLUSTRATED PARTS CATALOG

FIG ITEM	PART NUMBER	NOMENCLATURE	UNITS
			PER ASSY
02			
-		STORMSCOPE INSTALLATION	RF
1	78-8060-6086-5	. STORMSCOPE PROCESSOR-UN802 . . . . . V2Y828	01
2	78-8051-9180-2	. MOUNT . . . . . V2Y828	01
		ATTACHING PARTS	
3	MS35207-264	. SCREW . . . . .	04 R
4	MS21042-04	. NUT . . . . .	04 R
		—*—	
5		. SUPPORT BRACKET ASSY REFER TO 24-30-02 FIGURE 01 . . . . .	RF R
6	78-8051-9200-8	. ANTENNA . . . . . V2Y828	01 R
		ATTACHING PARTS	
7	MS27039C1-18	. SCREW . . . . .	04 R
8	NAS1473C3N	. NUTPLATE . . . . .	04 R
		—*—	
9	9111002-3	. ANTENNA SPACER . . . . .	01 R
10	9111010-2	. DOUBLER . . . . .	01 R
11	MS35207-266	. SCREW . . . . .	01 R
12	MS35338-157	. WASHER-LOCK, SPRING . . . . .	02 R
13	NAS1149D0316H	. WASHER . . . . .	04 R
14	MS35650-305T	. NUT . . . . .	02 R

- ITEM NOT ILLUSTRATED

CESSNA®  
**MODEL 525 (SERIALS -0685 AND -0800 AND ON)**  
ILLUSTRATED PARTS CATALOG

A91794



**DETAIL A**

WEATHER RADAR SYSTEM  
FIGURE 03 (SHEET 1)

6310T1168  
A6318T1990

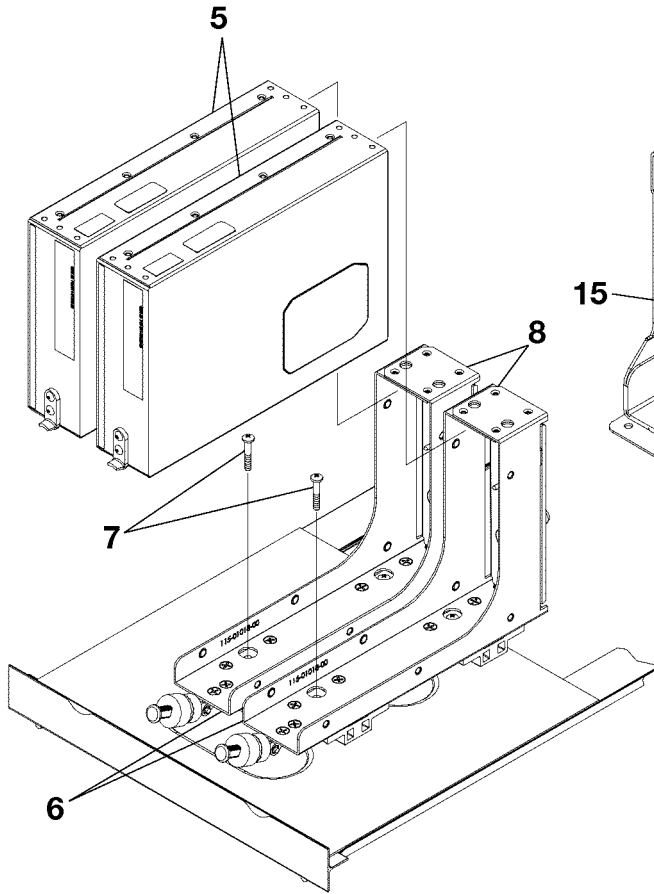
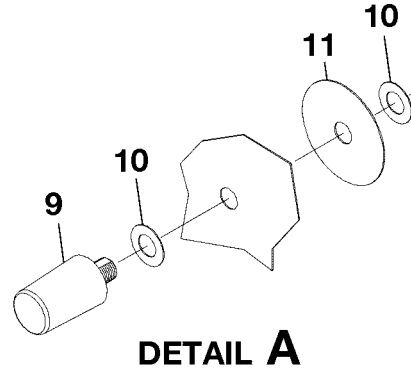
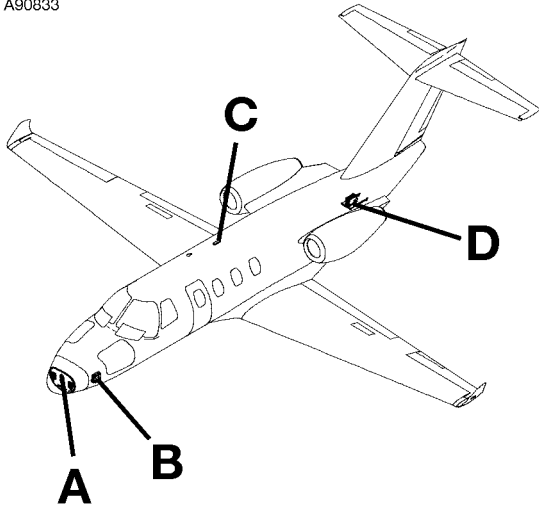
CESSNA®  
**MODEL 525 (SERIALS -0685 AND -0800 AND ON)**  
 ILLUSTRATED PARTS CATALOG

FIG ITEM	PART NUMBER	1 2 3 4 5 6 7	NOMENCLATURE	UNITS PER ASSY
03				
-			WEATHER RADAR SYSTEM	RF
1	011-01768-00		. GWX 70 RADAR-UN803 . . . . . V0TRC3	01
2	117-00254-01		. GWX 70 ANTENNA-YN804 . . . . . V0TRC3	01
			ATTACHING PARTS	
3	NAS1351-4-12		. SCREW . . . . .	04
- 4	211-64244-16		. SCREW-ALT FOR NAS1351-4-12 . . . . . V0TRC3	04
			—*—	

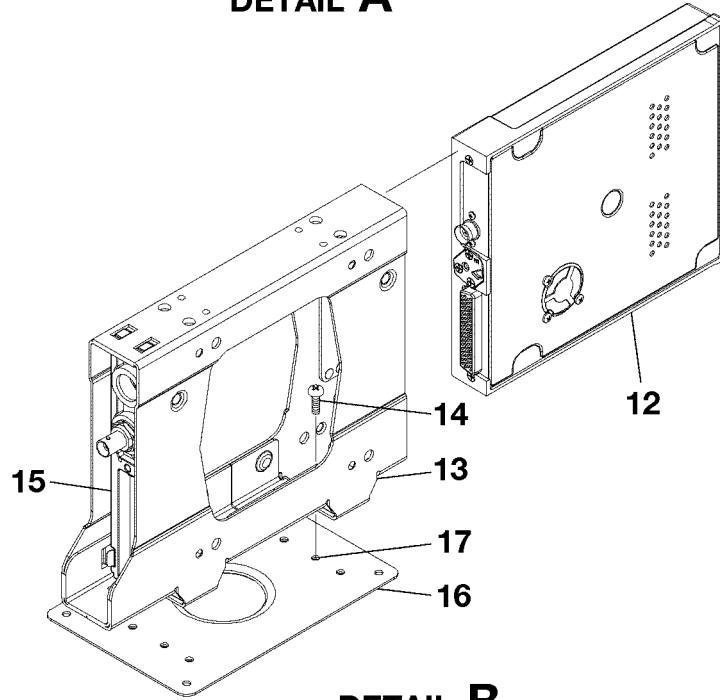
- ITEM NOT ILLUSTRATED

CESSNA®  
**MODEL 525 (SERIALS -0685 AND -0800 AND ON)**  
 ILLUSTRATED PARTS CATALOG

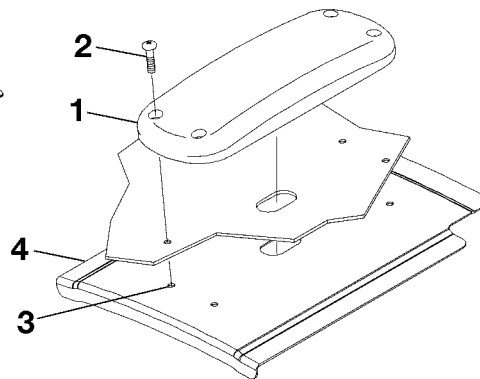
A90833



**DETAIL D**



**DETAIL B**



**DETAIL C**

GARMIN GSR 56 IRIDIUM SYSTEM  
 FIGURE 01 (SHEET 1)

6310T1168  
 A-D6318T1966

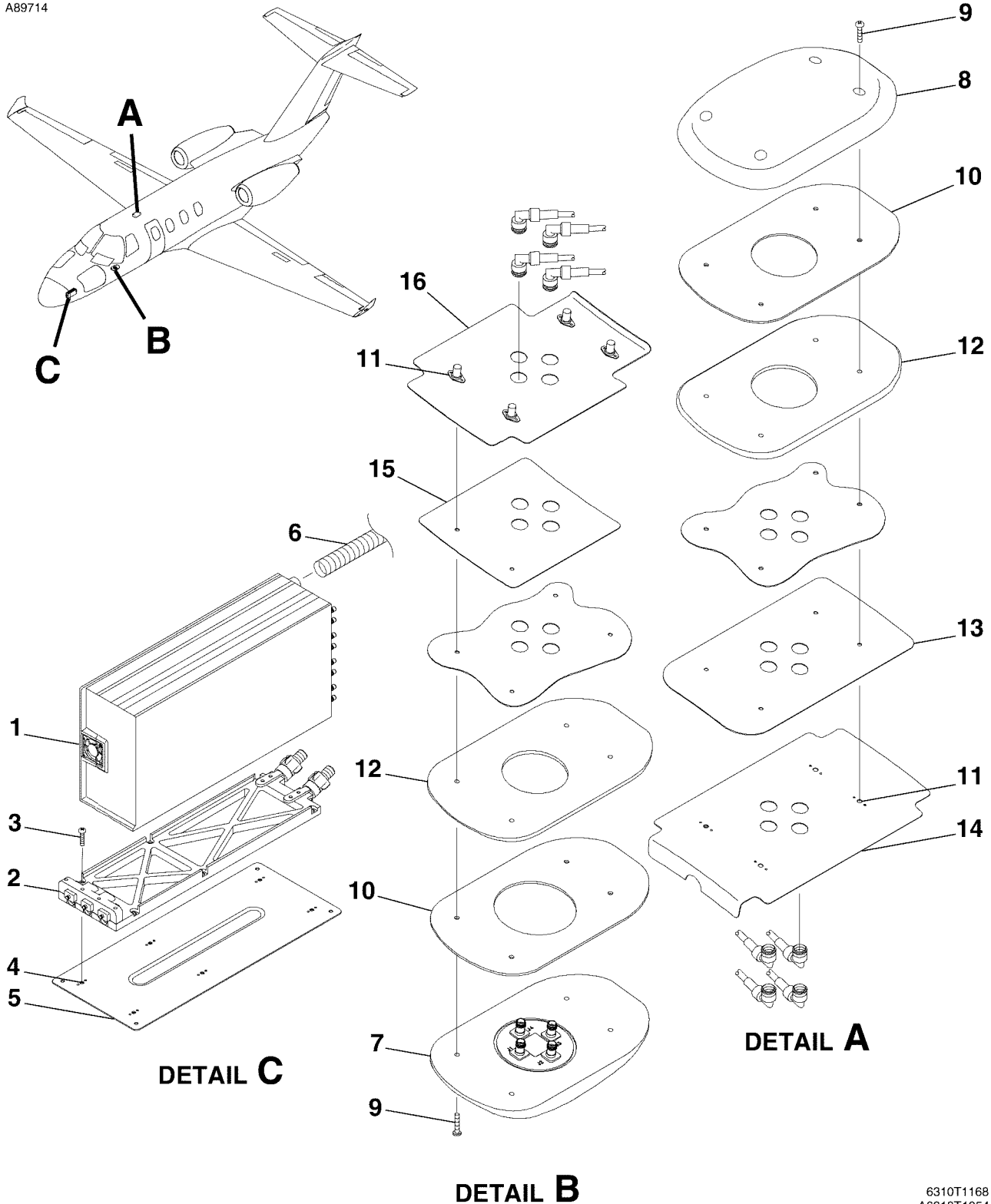
CESSNA®  
**MODEL 525 (SERIALS -0685 AND -0800 AND ON)**  
 ILLUSTRATED PARTS CATALOG

FIG ITEM	PART NUMBER	NOMENCLATURE	UNITS
			PER ASSY
01			
-		GARMIN GSR 56 IRIDIUM SYSTEM	RF
1	S67-1575-165	. ANTENNA . . . . . V13691	01 R
		. ATTACHING PARTS	
2	MS27039C1-12	. SCREW . . . . .	04
3	NAS1473C3	. NUTPLATE . . . . .	04
		—*—	
4	9101025-6	. DOUBLER . . . . .	01
5	011-02268-01	. GSR 56 . . . . . V0TRC3	02
6	115-01018-00	. REMOTE RACK . . . . . V0TRC3	02
		. ATTACHING PARTS	
7	MS27039-0815	. SCREW . . . . .	04
		—*—	
8	011-01800-00	. BACK PLATE . . . . . V0TRC3	02
9	TRAB24/49003P	. ANTENNA-DUAL BAND YN400 . . . . . V30817	01
		. ATTACHING PARTS	
10	NAS1149F1032P	. WASHER . . . . .	02
		—*—	
11		. DOUBLER-REFER TO 25-70-00 FIGURE 01 . . . . .	RF
12	011-01746-00	. GDL59 DATALINK-UN515 . . . . . V0TRC3	01
13	115-00658-00	. REMOTE MOUNT RACK . . . . . V0TRC3	01
		. ATTACHING PARTS	
14	MS35206-245	. SCREW . . . . .	04
		—*—	
15	011-00796-02	. BACK PLATE ASSY-DATALINK . . . . . V0TRC3	01
16	9154705-9	. DATALINK SHELF . . . . .	01
17	MS21069L08	. NUTPLATE . . . . .	08

- ITEM NOT ILLUSTRATED

CESSNA®  
**MODEL 525 (SERIALS -0685 AND -0800 AND ON)**  
 ILLUSTRATED PARTS CATALOG

A89714



TRAFFIC COLLISION AVOIDANCE SYSTEM II (TCAS)  
 FIGURE 02 (SHEET 1)

6310T1168  
 A6318T1954  
 B6318T1955  
 C6318T1956

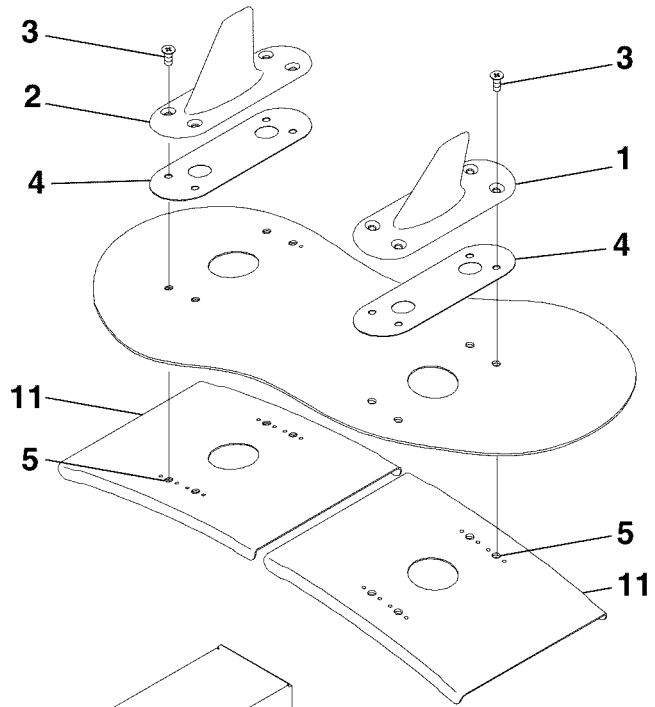
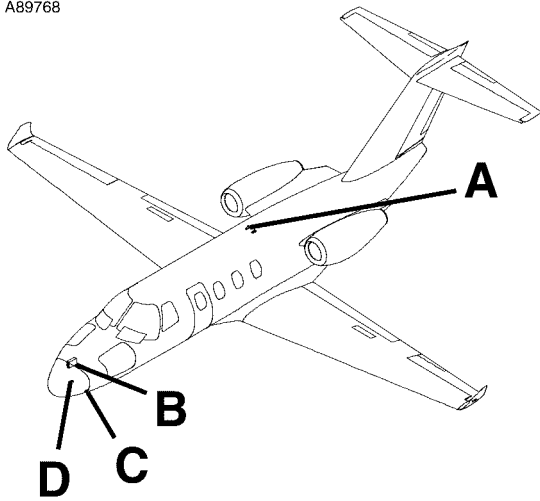
CESSNA®  
**MODEL 525 (SERIALS -0685 AND -0800 AND ON)**  
 ILLUSTRATED PARTS CATALOG

FIG ITEM	PART NUMBER	NOMENCLATURE	UNITS
			PER ASSY
02		TRAFFIC COLLISION AVOIDANCE SYSTEM II (TCAS)	RF
-			
1	011-02571-00	. TCAS II PROCESSOR-UN823 . . . . . V0TRC3	01
2	011-02572-00	. MOUNTING KIT . . . . . V0TRC3	01
		ATTACHING PARTS	
3	MS35206-247	. SCREW . . . . .	06
4	MS21069L08	. NUTPLATE . . . . .	06
		—*—	
5	9154705-8	. SHELF . . . . .	01
6	S1053E5W	. DUCT-BKI . . . . .	AR
7	S72-1735-26	. ANTENNA-LWR YF810 . . . . . V13691	01
8	S72-1735-26	. ANTENNA-UPR YF809 . . . . . V13691	01
		ATTACHING PARTS	
9	MS27039C1-18	. SCREW . . . . .	04
10	TXT898-027	. GASKET-ANTENNA . . . . . V1NPE1	01 R
11	NAS1473C3	. NUTPLATE . . . . .	04 R
		—*—	
12	9108702-4	. ANTENNA ADAPTER - TCAS . . . . .	02 R
13	9108021-9	. FILLER-UPR . . . . .	01 R
14	9108702-2	. DOUBLER-UPR . . . . .	01 R
15	9108034-3	. FILLER-LWR . . . . .	01 R
16	9108702-3	. DOUBLER-LWR . . . . .	01 R

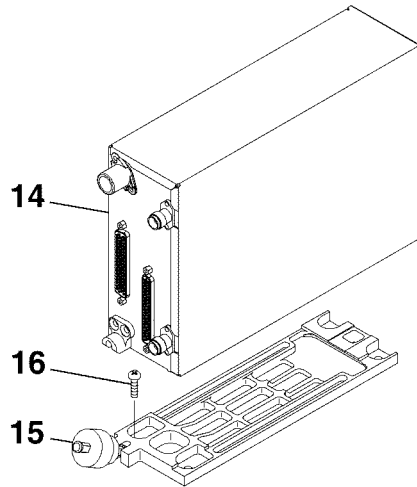
- ITEM NOT ILLUSTRATED

CESSNA®  
**MODEL 525 (SERIALS -0685 AND -0800 AND ON)**  
 ILLUSTRATED PARTS CATALOG

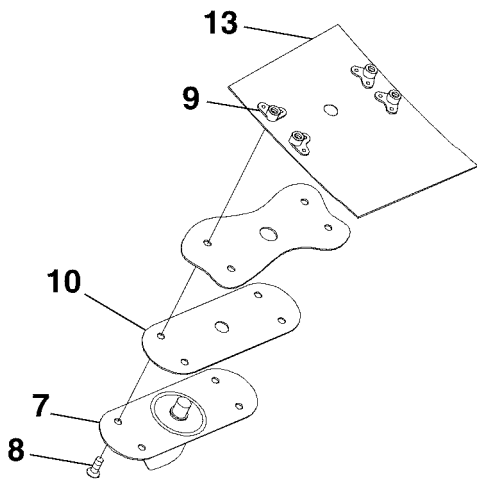
A89768



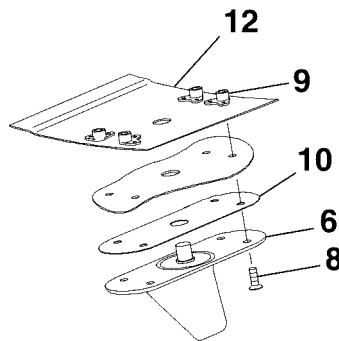
**DETAIL A**



**DETAIL B**



**DETAIL D**



**DETAIL C**

6310T1168  
 A6318T1897  
 B6318T1957  
 C6318T1958  
 D6318T1958

GARMIN TRANSPONDER SYSTEM  
 FIGURE 01 (SHEET 1)



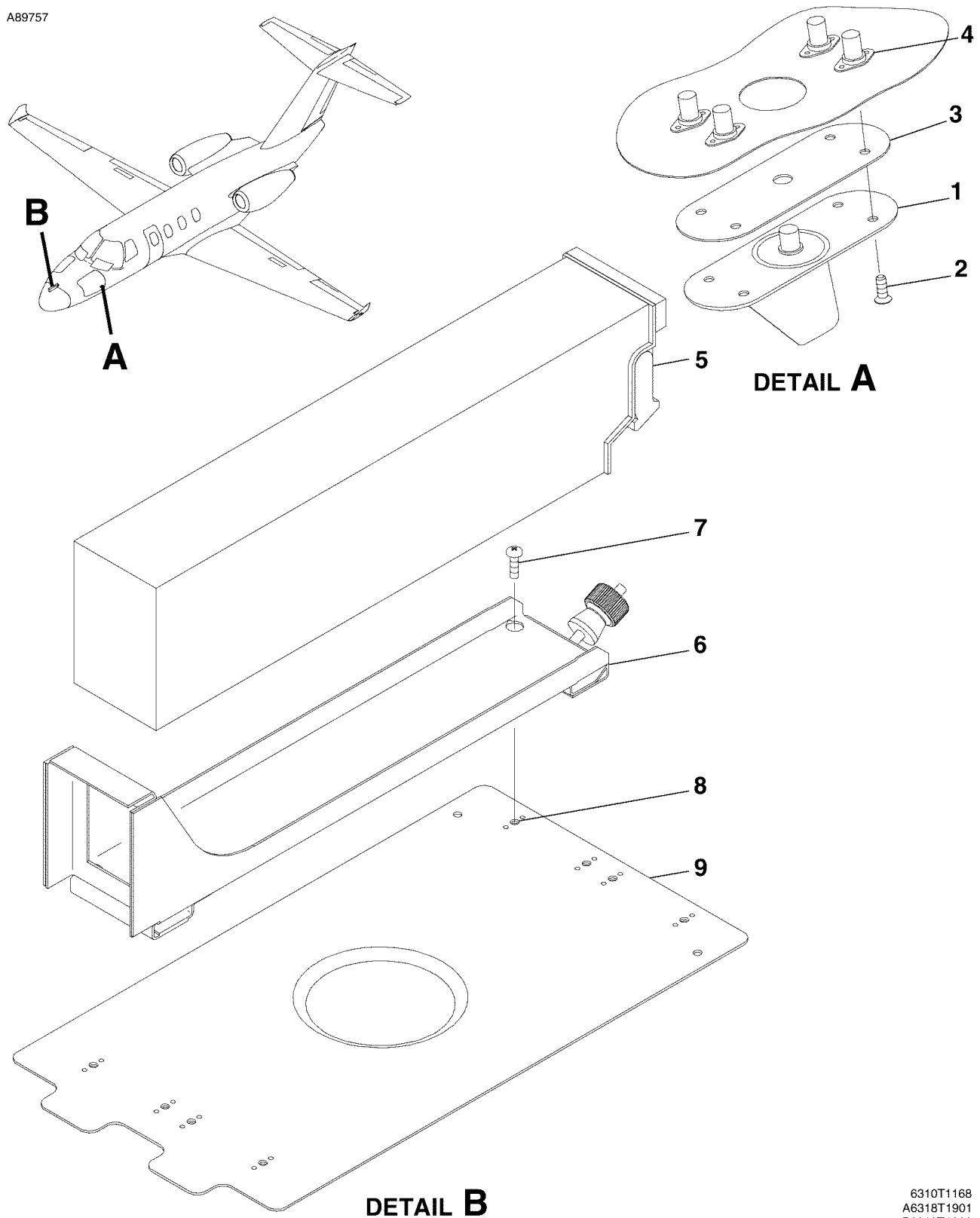
CESSNA®  
**MODEL 525 (SERIALS -0685 AND -0800 AND ON)**  
 ILLUSTRATED PARTS CATALOG

FIG ITEM	PART NUMBER	NOMENCLATURE	UNITS
			PER ASSY
01			
-		GARMIN TRANSPONDER SYSTEM	RF
1	L10-611-14	. ANTENNA-LH UPR YF803 . . . . . V55635	01 R
2	L10-611-14	. ANTENNA-RH UPR YF804 . . . . . V55635	01 R
		ATTACHING PARTS	
3	MS24694-C50	. SCREW . . . . .	04 R
4	TXT898-019	. GASKET-ANTENNA . . . . . V1NPE1	01 R
5	NAS1474C3	. NUTPLATE . . . . .	04 R
		—*—	
6	L10-611-14	. ANTENNA-LH LWR YN802 . . . . . V55635	02 R
7	L10-611-14	. ANTENNA-RH LWR YN801 . . . . . V55635	01 R
		ATTACHING PARTS	
8	MS24694-C51	. SCREW . . . . .	04 R
9	MS21056L3	. NUTPLATE . . . . .	04 R
		—*—	
10	TXT898-004	. GASKET-ANTENNA . . . . . V1NPE1	01 R
11	9108031-2	. DOUBLER-UPR . . . . .	02 R
12	9608041-2	. DOUBLER-LH LWR . . . . .	01 R
13	9608041-3	. DOUBLER-RH LWR . . . . .	01 R
14	011-01997-00	. TRANSPONDER-GTX 3000 . . . . . V0TRC3	02 R
15	011-02515-00	. INSTALLATION MOUNT-GTX 3000 . . . . . V0TRC3	02 R
		ATTACHING PARTS	
16	MS35206-246	. SCREW . . . . .	04 R
		—*—	

- ITEM NOT ILLUSTRATED

CESSNA®  
MODEL 525 (SERIALS -0685 AND -0800 AND ON)  
ILLUSTRATED PARTS CATALOG

A89757



**DETAIL B**  
DISTANCE MEASURING EQUIPMENT (DME 1) SYSTEM  
FIGURE 01 (SHEET 1)

6310T1168  
A6318T1901  
B6318T1902

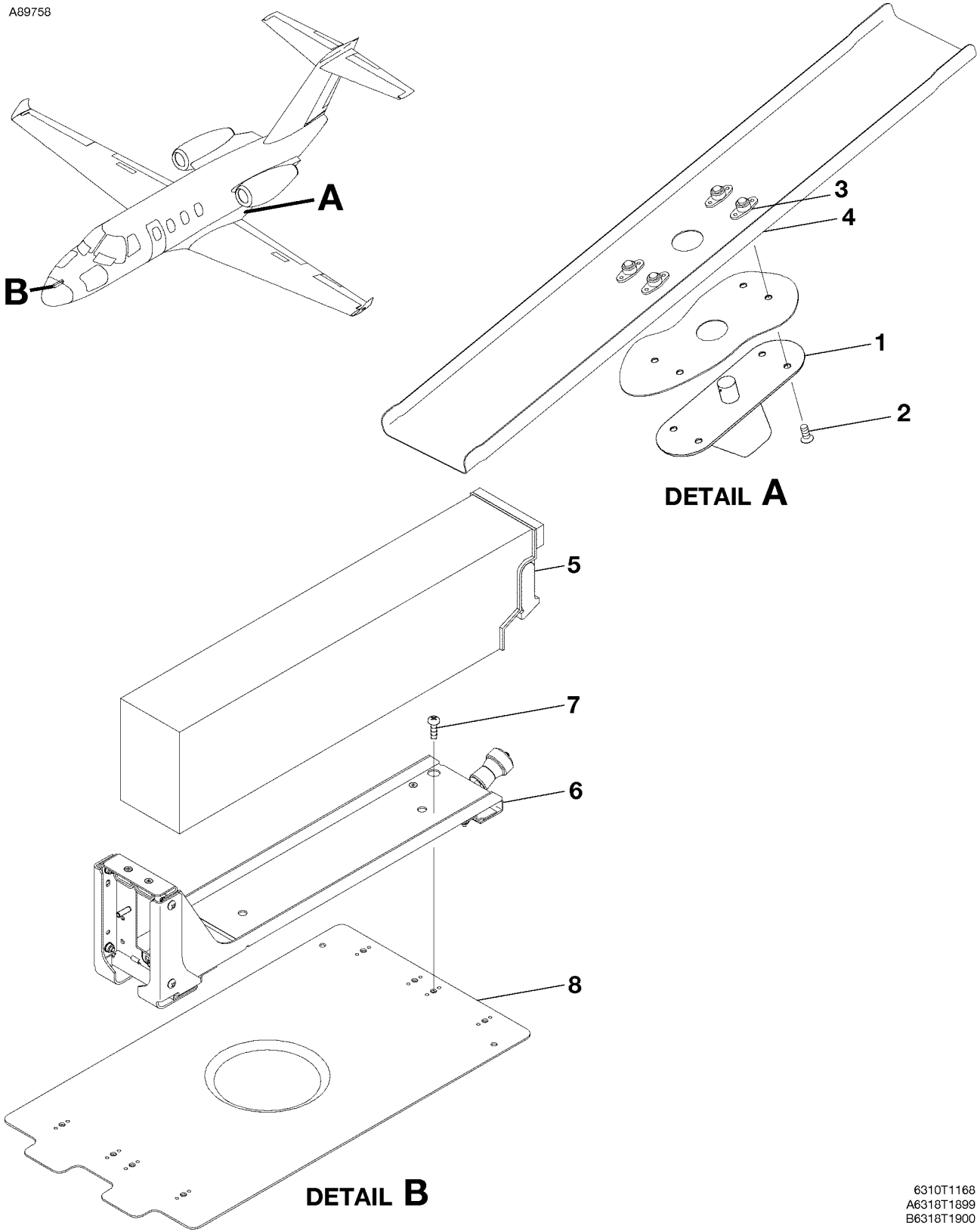
CESSNA®  
**MODEL 525 (SERIALS -0685 AND -0800 AND ON)**  
 ILLUSTRATED PARTS CATALOG

FIG ITEM	PART NUMBER	1 2 3 4 5 6 7	NOMENCLATURE	UNITS PER ASSY
01				
-			DISTANCE MEASURING EQUIPMENT (DME 1) SYSTEM	RF
1	L10-611-14		. ANTENNA-YF800 . . . . . V55635	01
			ATTACHING PARTS	
2	MS24694-C52		. SCREW . . . . .	04 R
3	TXT898-004		. GASKET-ANTENNA . . . . . V1NPE1	01 R
4	NAS1473C3K		. NUTPLATE . . . . .	04 R
			—*—	
5	822-1466-001		. RECEIVER-REFER TO NOTE 1 . . . . . V4V792	01 R
6	622-9670-002		. MOUNTING TRAY . . . . . V13499	01 R
			ATTACHING PARTS	
7	MS35206-245		. SCREW . . . . .	04 R
8	MS21069L08		. NUTPLATE . . . . .	04 R
			—*—	
9	9154705-10		. SHELF . . . . .	01 R

NOTE 1—REFER TO MAINTENANCE MANUAL FOR SUPPLIERS PUBLICATION LIST.

CESSNA®  
MODEL 525 (SERIALS -0685 AND -0800 AND ON)  
ILLUSTRATED PARTS CATALOG

A89758



DISTANCE MEASURING EQUIPMENT (DME 2) SYSTEM  
FIGURE 02 (SHEET 1)

6310T1168  
A6318T1899  
B6318T1900

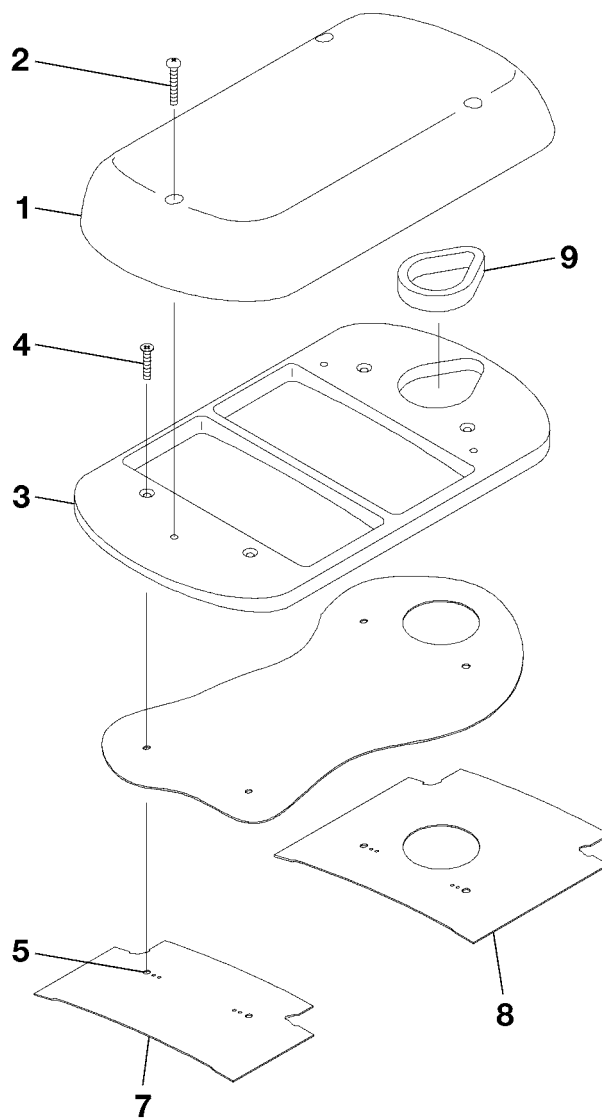
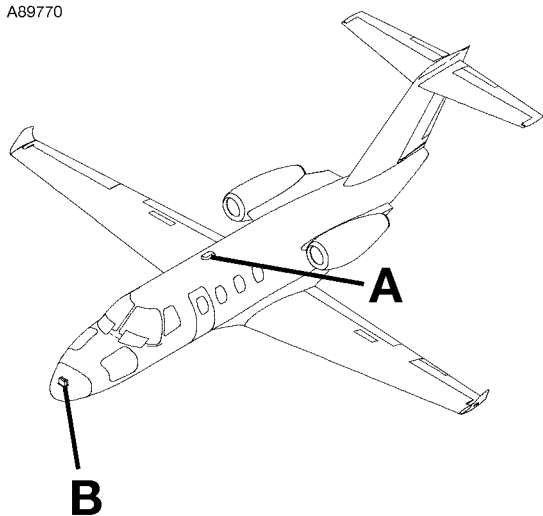
CESSNA®  
**MODEL 525 (SERIALS -0685 AND -0800 AND ON)**  
 ILLUSTRATED PARTS CATALOG

FIG ITEM	PART NUMBER	NOMENCLATURE	UNITS
			PER ASSY
		1 2 3 4 5 6 7	
02			
-		DISTANCE MEASURING EQUIPMENT (DME 2) SYSTEM	RF
1	L10-611-14	. ANTENNA-YT800 . . . . . V55635	01
		ATTACHING PARTS	
2	MS24694-C49	. SCREW . . . . .	04
3	NAS1474C3	. NUTPLATE . . . . .	04
		—*—	
4	9107021-2	. DOUBLER . . . . .	01
5	822-1466-001	. RECEIVER-REFER TO NOTE 1 . . . . . V4V792	01
6	622-9670-002	. MOUNTING TRAY . . . . . V4V792	01
		ATTACHING PARTS	
7	MS35206-245	. SCREW . . . . .	04
		—*—	
8		. SHELF-REFER TO 34-51-00 FIGURE 01 . . . . .	RF
NOTE 1—REFER TO MAINTENANCE MANUAL FOR SUPPLIERS PUBLICATION LIST.			

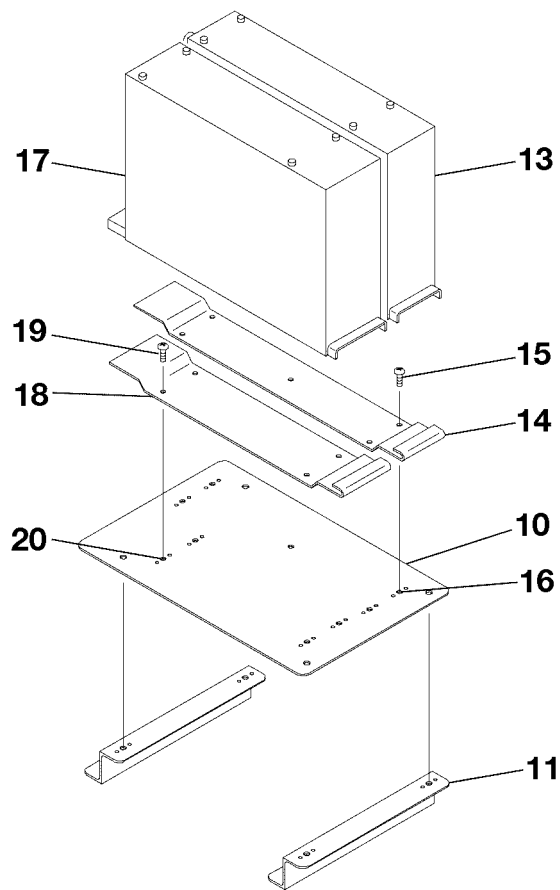
- ITEM NOT ILLUSTRATED

CESSNA®  
**MODEL 525 (SERIALS -0685 AND -0800 AND ON)**  
 ILLUSTRATED PARTS CATALOG

A89770



**DETAIL A**



**DETAIL B**

AUTOMATIC DIRECTION FINDER (ADF) NAVIGATION SYSTEM  
 FIGURE 01 (SHEET 1)

6310T1168  
 A6318T1960  
 B6318T1961

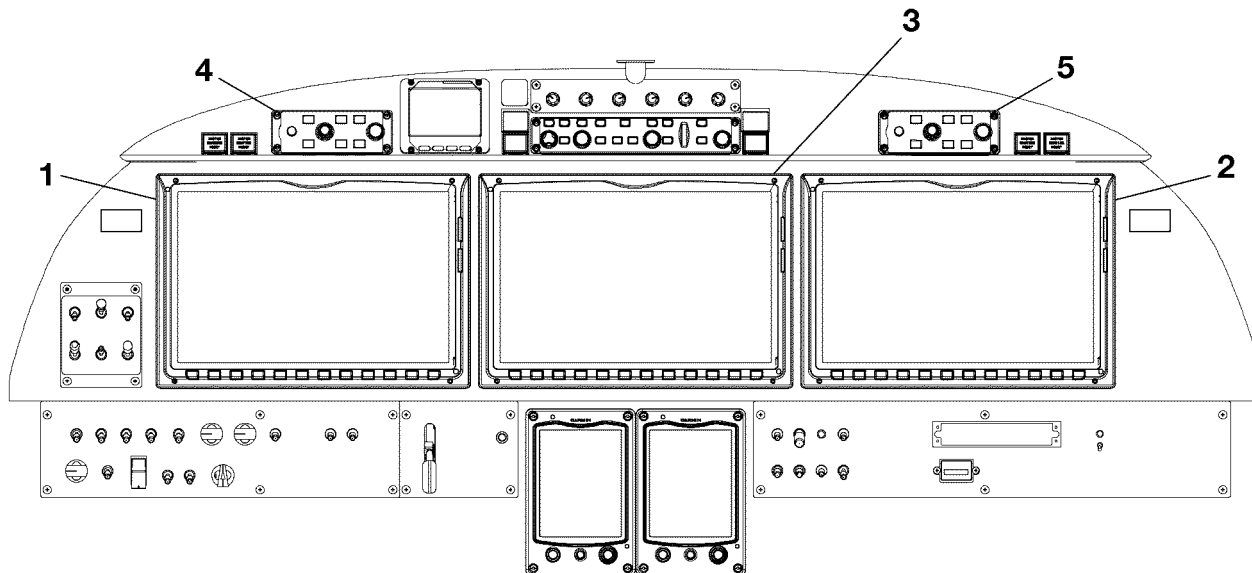
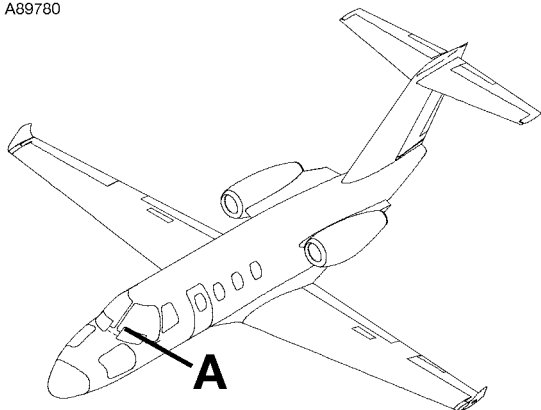
CESSNA®  
**MODEL 525 (SERIALS -0685 AND -0800 AND ON)**  
 ILLUSTRATED PARTS CATALOG

FIG ITEM	PART NUMBER	NOMENCLATURE	UNITS
			PER ASSY
01		AUTOMATIC DIRECTION FINDER (ADF) NAVIGATION SYSTEM	RF
-			
1	013-00165-00	. ANTENNA-YF600 . . . . . V0TRC3	01
		. ATTACHING PARTS	
2	MS27039C1-20	. SCREW . . . . .	03
		—*—	
3	9104702-2	. ADAPTER ASSY . . . . .	01
		. ATTACHING PARTS	
4	MS24694-S57	. SCREW . . . . .	04
5	S2018-2	. NUTPLATE . . . . .	04
		—*—	
- 6	MS21209F1-20P	. . INSERT . . . . .	03
7	9104014-3	. DOUBLER-FWD . . . . .	01
8	9104014-2	. DOUBLER-AFT . . . . .	01
9	9104702-3	. SEAL . . . . .	01
10	9154705-15	. SHELF . . . . .	01
11	9115008-11	. ZEE ASSY . . . . .	02
- 12	MS21075L08N	. . NUTPLATE . . . . .	02
13	013-00166-00	. RECEIVER-UN609 . . . . . V0TRC3	01
14	013-00166-01	. MOUNTING PLATE . . . . . V0TRC3	01
		. ATTACHING PARTS	
15	MS35206-228	. SCREW . . . . .	05
16	MS21069L06	. NUTPLATE . . . . .	05
		—*—	
17	013-00167-00	. CONVERTER-UN611 . . . . . V0TRC3	01
18	013-00167-01	. MOUNTING PLATE . . . . . V0TRC3	01
		. ATTACHING PARTS	
19	MS35206-228	. SCREW . . . . .	04
20	MS21069L06	. NUTPLATE . . . . .	04
		—*—	

- ITEM NOT ILLUSTRATED

CESSNA®  
MODEL 525 (SERIALS -0685 AND -0800 AND ON)  
ILLUSTRATED PARTS CATALOG

A89780



**DETAIL A**

GARMIN G3000 INTEGRATED AVIONICS SYSTEM  
FIGURE 01 (SHEET 1)

6310T1168  
A6318T1888



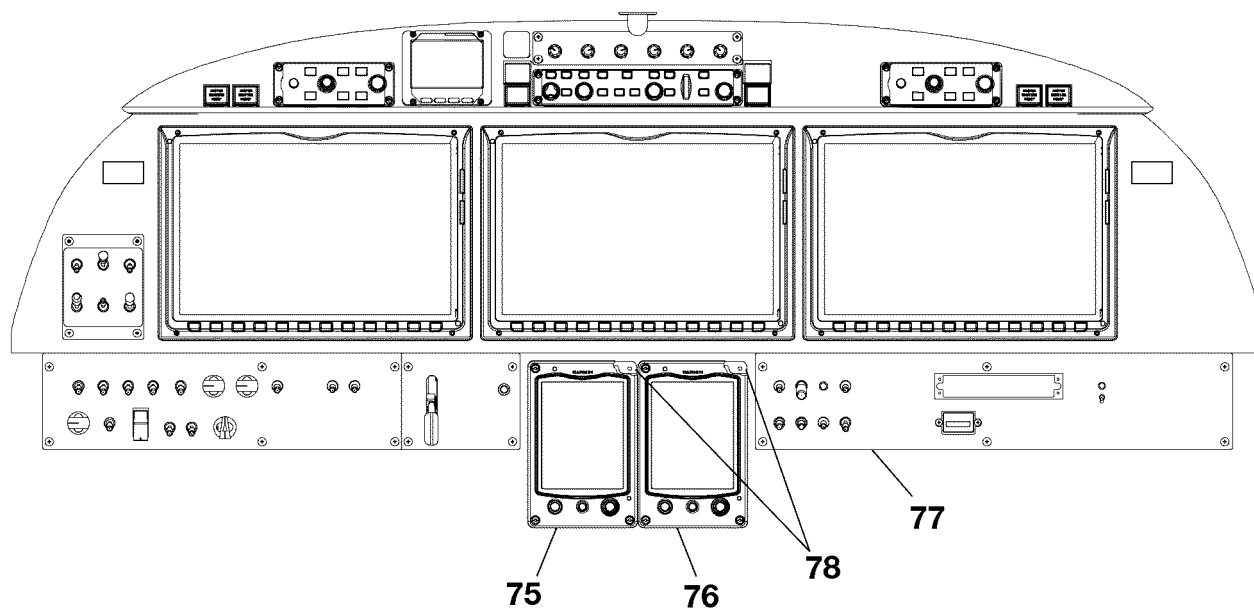
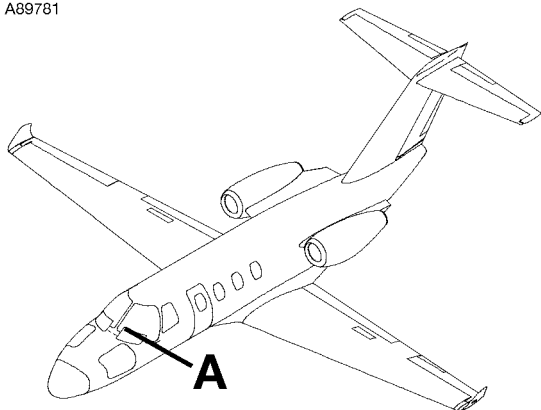
CESSNA®  
**MODEL 525 (SERIALS -0685 AND -0800 AND ON)**  
 ILLUSTRATED PARTS CATALOG

FIG ITEM	PART NUMBER	NOMENCLATURE	UNITS PER ASSY	
			1 2 3 4 5 6 7	
01		GARMIN G3000 INTEGRATED AVIONICS SYSTEM		RF
-				
1	011-01910-00	. PRIMARY FLIGHT DISPLAY-LH GDU-1400 UI425 . . . . . V0TRC3 0800	0877	01 R
- 1A	S3100-610	. PRIMARY FLIGHT DISPLAY-LH GDU-1400 REF 011-01910-00 (MOD 2) . . . . . 0878	& ON	01 R
		UI425 . . . . .		
2	011-01910-00	. PRIMARY FLIGHT DISPLAY-RH GDU-1400 UI427 . . . . . V0TRC3 0800	0877	01 R
- 2A	S3100-610	. PRIMARY FLIGHT DISPLAY-RH GDU-1400 REF 011-01910-00 (MOD 2) . . . . . 0878	& ON	01 R
		UI427 . . . . .		
3	011-01910-00	. MULTIFUNCTION FLIGHT DISPLAY-CENTER GDU-1400 UI426 . . . . . V0TRC3 0800	0877	01 R
- 3A	S3100-610	. MULTIFUNCTION FLIGHT DISPLAY-CENTER GDU-1400 REF 011-01910-00 . . . . . 0878	& ON	01 R
		(MOD 2) UI426 . . . . .		
4	011-01983-01	. PRIMARY FLIGHT DISPLAY CONTROLLER-LH GCU 275 UI431 . . . . . V0TRC3		01
5	011-01983-01	. PRIMARY FLIGHT DISPLAY CONTROLLER-RH GCU 275 UI430 . . . . . V0TRC3		01

- ITEM NOT ILLUSTRATED

CESSNA®  
MODEL 525 (SERIALS -0685 AND -0800 AND ON)  
ILLUSTRATED PARTS CATALOG

A89781



**DETAIL A**

GARMIN G3000 INTEGRATED AVIONICS SYSTEM  
FIGURE 01 (SHEET 2)

6310T1168  
A6318T1888

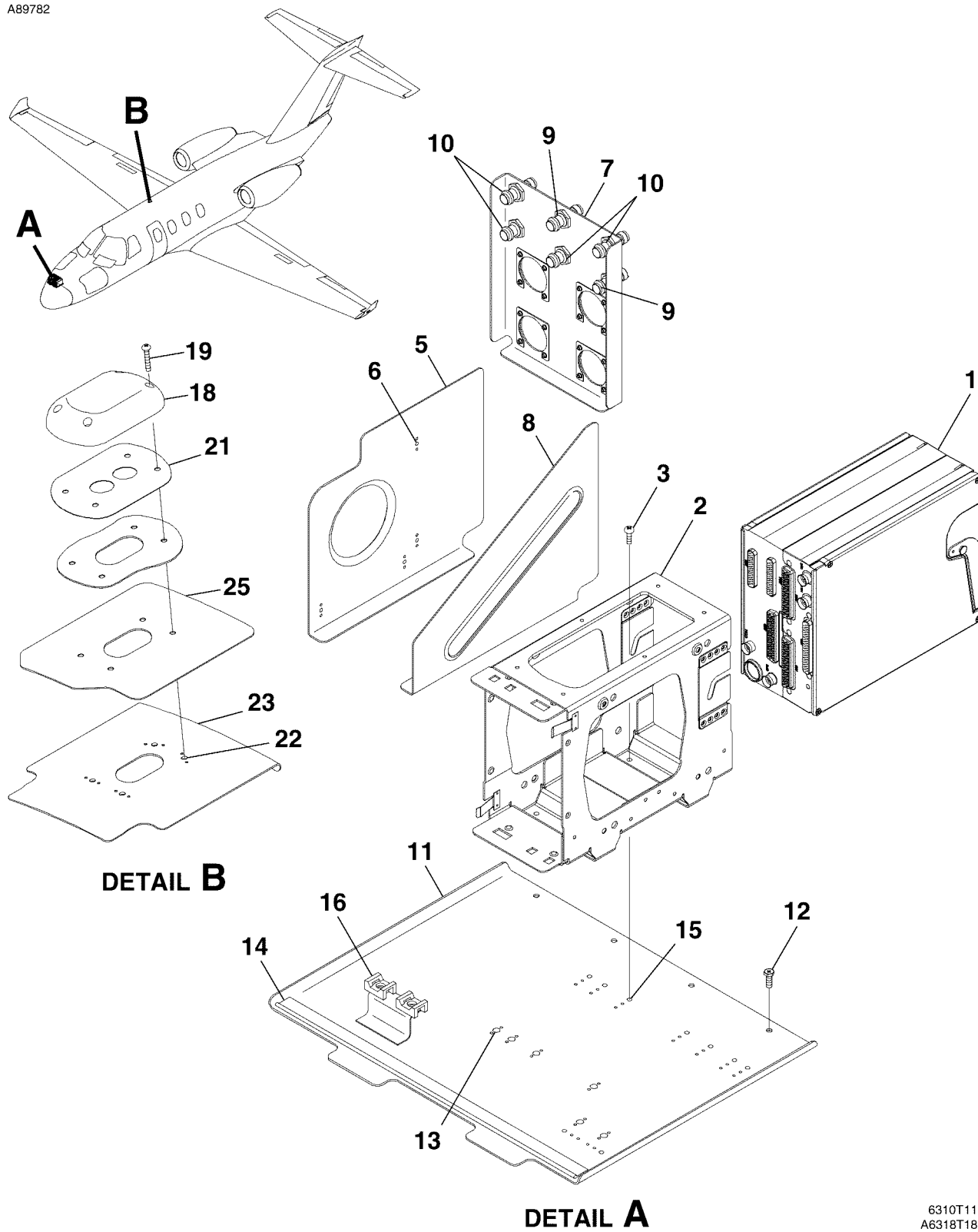
CESSNA®  
**MODEL 525 (SERIALS -0685 AND -0800 AND ON)**  
 ILLUSTRATED PARTS CATALOG

FIG ITEM	PART NUMBER	NOMENCLATURE	UNITS
			PER ASSY
		1 2 3 4 5 6 7	
01			
75	S3100-589	. GTC 570 CONTROLLER-LH UI429 . . . . .	01
76	S3100-589	. GTC 570 CONTROLLER-RH UI428 . . . . .	01
77		. INSTRUMENT PANEL SUPPORTS REFER TO 53-20-01 FIGURE 01 . . . . .	RF
78	011-03239-00	. SPILL GASKET . . . . . V0TRC3	02

- ITEM NOT ILLUSTRATED

CESSNA®  
**MODEL 525 (SERIALS -0685 AND -0800 AND ON)**  
 ILLUSTRATED PARTS CATALOG

A89782



6310T1168  
 A6318T1894  
 B6318T1966

GARMIN GIA 63W INTEGRATED AVIONICS UNIT  
 FIGURE 01 (SHEET 1)

CESSNA®  
**MODEL 525 (SERIALS -0685 AND -0800 AND ON)**  
 ILLUSTRATED PARTS CATALOG

FIG ITEM	PART NUMBER	NOMENCLATURE	UNITS	
			PER	ASSY
01		GARMIN GIA 63W INTEGRATED AVIONICS UNIT		RF
-				
1	011-01105-40	. GIA63W INTEGRATED AVIONICS UNIT . . . . . V0TRC3		02
2	115-01239-00	. GIA 63 REMOTE RACK . . . . . V0TRC3		02
		ATTACHING PARTS		
3	MS35206-245	. SCREW . . . . .		04
		—*—		
-		. CONNECTOR BRACKET ASSY . . . . .		02
4	9154705-20	. BRACKET . . . . .		01
5	9154705-19	. NUTPLATE . . . . .		04
6	MS21069L06	. CONNECTOR BRACKET . . . . .		01
7	9154705-7	. BRACKET . . . . .		01
8	9154705-12	. ADAPTER . . . . . V05209		02
9	5-70-30	. ADAPTER . . . . . V07688		04
10	UG492D/U	. SHELF . . . . .		02
11	9154705-14	ATTACHING PARTS		
		. SCREW . . . . .		04
12	NAS1801-3-8	—*—		
		. NUTPLATE . . . . .		12
13	MS21069L08	. STRAP . . . . .		02
14	9154705-18	. NUTPLATE . . . . .		18
15	MS21051L08	. ANCHOR ASSY . . . . .		02
16	6318015-6	. ANTENNA-GPS 1/XM YC700 . . . . . V51351		01
-	CI428-410	. ANTENNA-GPS 2 YF701 . . . . . V51351		01
17	CI428-410	ATTACHING PARTS		
		. SCREW . . . . .	0800 0869	04 R
19	MS27039-0818	. SCREW . . . . .	0870 & ON	04 R
-	MS24694-C14	. GASKET-ANTENNA . . . . . V1NPE1		01 R
21	TXT898-019	. NUTPLATE . . . . .		04 R
22	NAS1473A08	—*—		
		. DOUBLER . . . . .		02 R
23	9123041-3	. FILLER-GPS 1 . . . . .		01 R
-	9123041-4	. FILLER-GPS 2 . . . . .		01 R
24	9123042-3			
25				

- ITEM NOT ILLUSTRATED



**CHAPTER**

**35**

**OXYGEN**





CESSNA®  
**MODEL 525 (SERIALS -0685 AND -0800 AND ON)**  
ILLUSTRATED PARTS CATALOG

<b>CHAPTER SECTION SUBJECT</b>		<b>NUMBER OF PAGES</b>	<b>DATE</b>
35 - TITLE			
35 - LIST OF EFFECTIVE PAGES			
35 - RECORD OF TEMPORARY REVISIONS			
35 - TABLE OF CONTENTS			
35-00-00	Figure 01	4	Jun 1/2016
35-10-00	Figure 01	2	Jul 1/2014
35-10-02	Figure 02	2	Dec 1/2017
35-20-00	Figure 01	2	Nov 1/2013
35-30-00	Figure 01	2	Jun 1/2018
35-30-00	Figure 02	2	Nov 1/2016





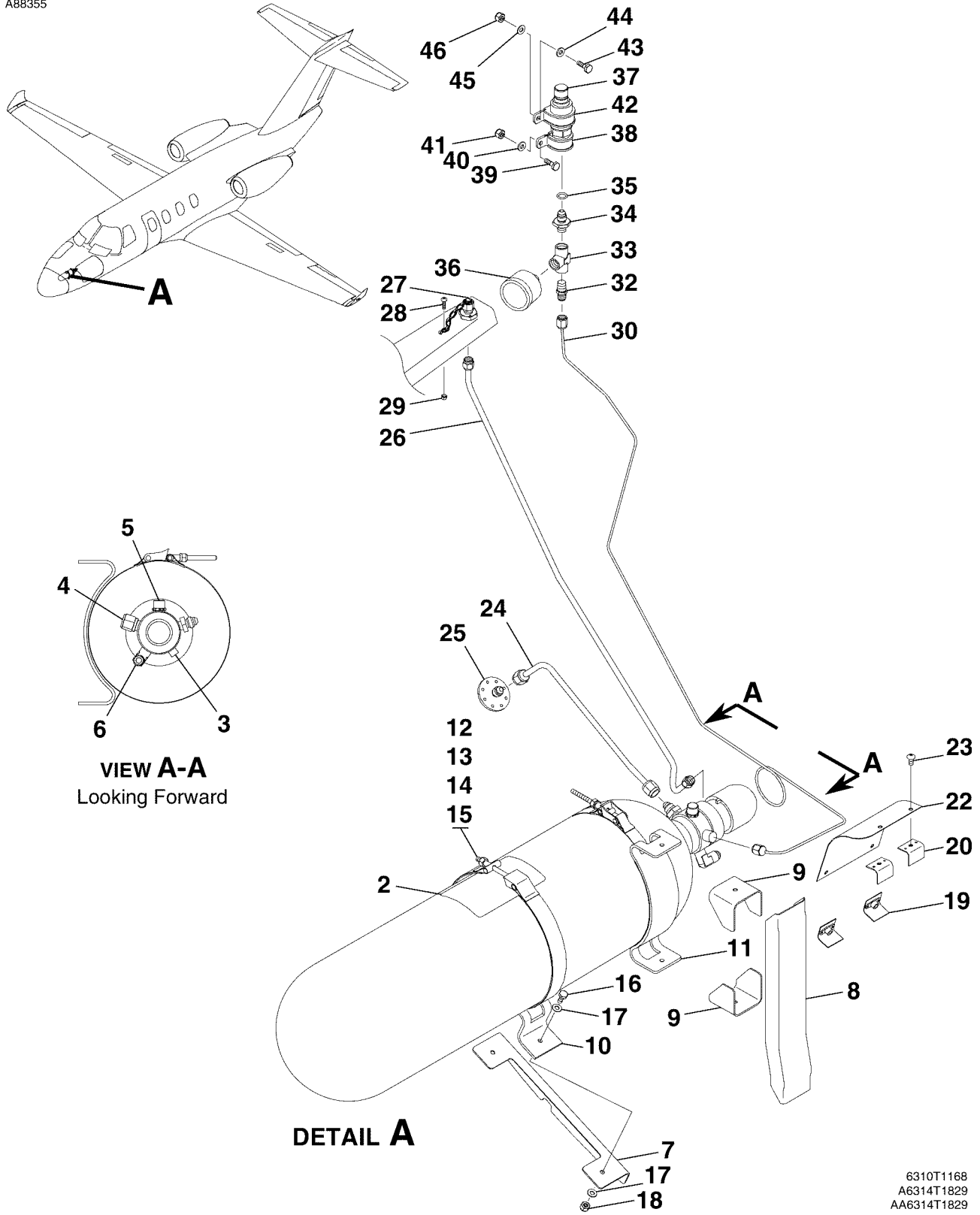


CESSNA®  
**MODEL 525 (SERIALS -0685 AND -0800 AND ON)**  
 ILLUSTRATED PARTS CATALOG

<u>SUBJECT</u>	<u>CHAPTER</u>	<u>FIGURE</u>	<u>EFFECTIVITY</u>	
	<u>SECTION</u>		<u>START</u>	<u>END</u>
	<u>SUBJECT</u>			
OXYGEN SYSTEM	35-00-00	01		
OXYGEN SYSTEM - CREW	35-10-00	01		
OXYGEN MASK INSTALLATION	35-10-02	02		
OXYGEN SYSTEM - PASSENGER	35-20-00	01		
PROTECTIVE BREATHING EQUIPMENT (PBE)	35-30-00	01		
M2 O2 BOTTLE INSTALLATION	35-30-00	02		

CESSNA®  
**MODEL 525 (SERIALS -0685 AND -0800 AND ON)**  
 ILLUSTRATED PARTS CATALOG

A88355



OXYGEN SYSTEM  
 FIGURE 01 (SHEET 1)

6310T1168  
 A6314T1829  
 AA6314T1829

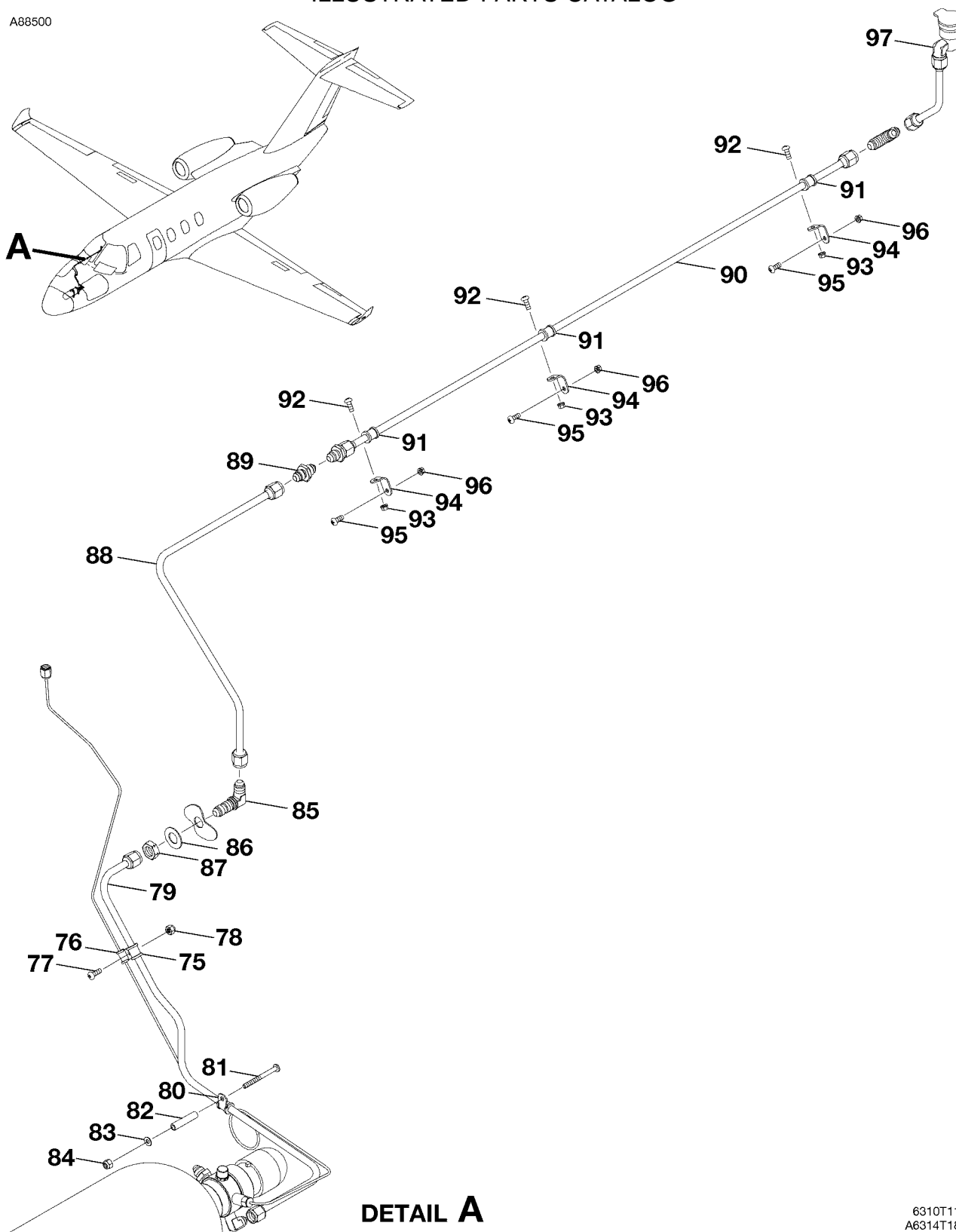
CESSNA®  
**MODEL 525 (SERIALS -0685 AND -0800 AND ON)**  
 ILLUSTRATED PARTS CATALOG

FIG ITEM	PART NUMBER	NOMENCLATURE	UNITS
			PER ASSY
01		OXYGEN SYSTEM	RF
- 1	176276-50	. OXYGEN CYLINDER ASSY-50 CUBIC FOOT . . . . . V16827	01
2	862609	. . NAMEPLATE . . . . . V16827	01
3	170041	. . FILL VALVE-CHARGE PORT . . . . . V16827	01
4	170045	. . CHECK VALVE ASSY-GAGE PORT . . . . . V16827	01 R
5	500910	. . PLUG . . . . . V16827	01
6	500941-51	. . FITTING-OUTLET PORT . . . . . V16827	01
7	6314210-6	. SUPPORT-BOTTLE . . . . .	01
8	7114010-34	. DOUBLER . . . . .	01
9	6314210-3	. SUPPORT . . . . .	02
10	C166007-0108	. MOUNTING BRACKET . . . . .	01
11	6314210-8	. BRACKET . . . . .	01
12	MS21920-55R	. CLAMP . . . . .	01
13	6314210-9	. RUBBER GRIP . . . . .	01
14	6314440-13	. RUBBER GRIP . . . . .	01
15	6314440-14	. RUBBER GRIP . . . . .	01
16	AN3-4A	. BOLT . . . . .	04
17	NAS1149F0332P	. WASHER . . . . .	08
18	MS21044N3	. NUT . . . . .	04
19	5514200-10	. ANGLE ASSY-LWR . . . . .	02
20	5514200-11	. ANGLE ASSY-UPR . . . . .	02
- 21	MS21047L3	. NUTPLATE . . . . .	02
22	5514200-72	. SHROUD . . . . .	01
		ATTACHING PARTS	
23	MS27039-1-06	. SCREW . . . . .	04
		—*—	
24	5514230-67	. TUBE ASSY-OVERBOARD DUMP . . . . .	01
25	CM3578-1	. INDICATOR-OVERBOARD DUMP . . . . .	01
26	S1721-30	. LINE ASSY-FILL . . . . .	01
27	CM3509-1	. VALVE FILLER . . . . .	01
28	MS35206-228	. SCREW . . . . .	01
29	MS21044N06	. NUT . . . . .	01
30	O2C11T13-045	. COVERED LINE ASSY 1/16"-BOTTLE TO BULKHEAD . . . . . VOTWO	01
- 31	MS28775-006	. . O-RING . . . . .	01
32	S3190-1	. NIPPLE . . . . .	01
33	AS4857D01	. TEE . . . . .	01
34	7114010-48	. ADAPTER . . . . .	01
35	MS9385-04	. O-RING . . . . .	01
36	P24140	. OXYGEN GAUGE . . . . .	01
37	S2800-902	. OXYGEN PRESSURE TRANSDUCER . . . . .	01
38	MS21919WDF13	. CLAMP . . . . .	01
		ATTACHING PARTS	
39	AN3-5A	. BOLT . . . . .	01
40	NAS1149F0363P	. WASHER . . . . .	01
41	MS21044N3	. NUT . . . . .	01
		—*—	
42	MS21919WDF16	. CLAMP . . . . .	01
		ATTACHING PARTS	
43	AN3-5A	. BOLT . . . . .	01
44	NAS1149F0363P	. WASHER . . . . .	01
45	NAS1149F0332P	. WASHER . . . . .	01
46	MS21044N3	. NUT . . . . .	01
		—*—	

- ITEM NOT ILLUSTRATED

CESSNA®  
MODEL 525 (SERIALS -0685 AND -0800 AND ON)  
ILLUSTRATED PARTS CATALOG

A88500



**DETAIL A**

OXYGEN SYSTEM  
FIGURE 01 (SHEET 2)

6310T1168  
A6314T1830

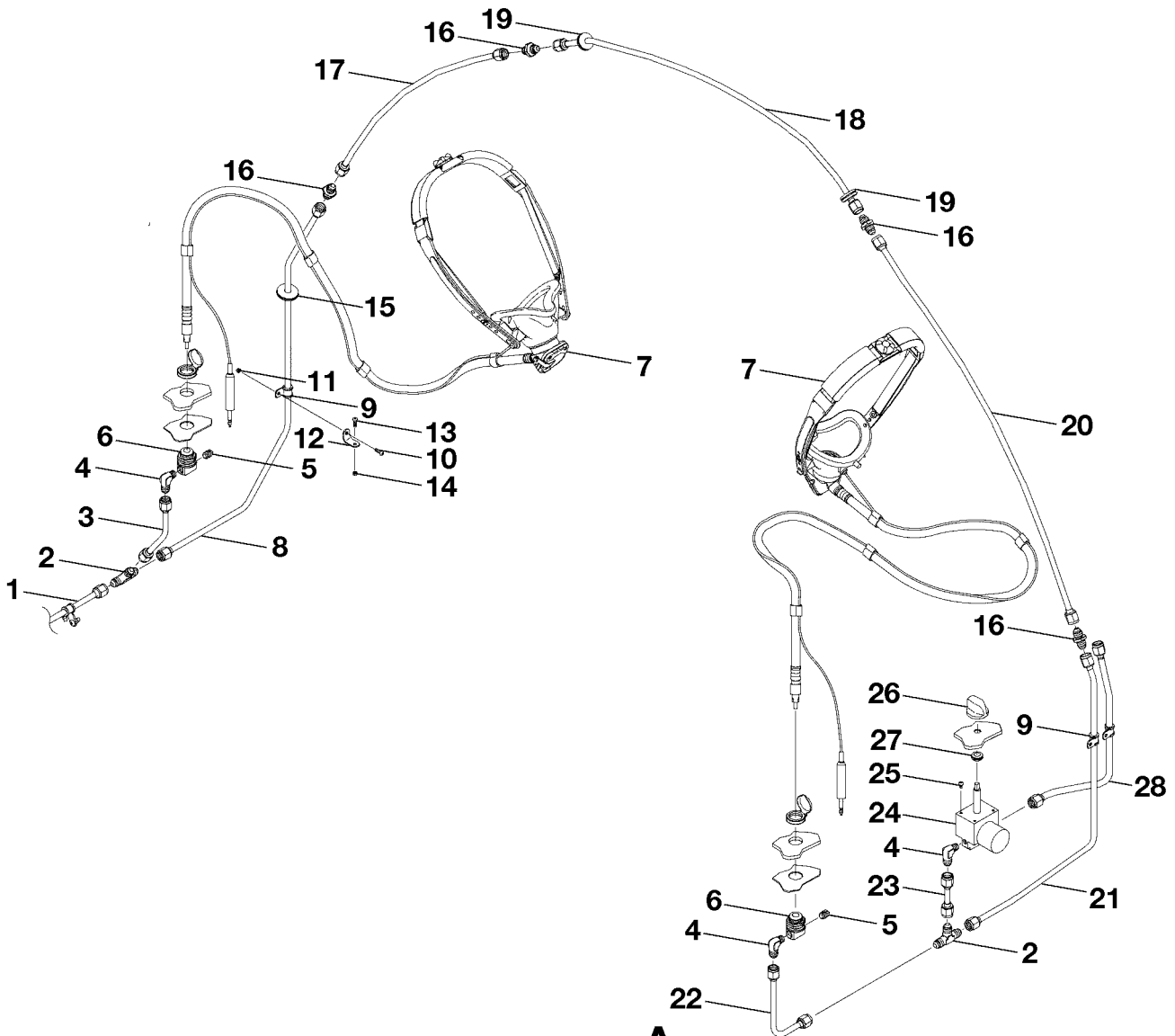
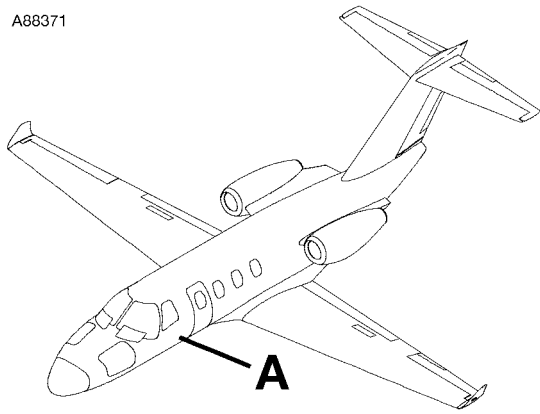


CESSNA®  
**MODEL 525 (SERIALS -0685 AND -0800 AND ON)**  
 ILLUSTRATED PARTS CATALOG

FIG ITEM	PART NUMBER	NOMENCLATURE	UNITS
			PER ASSY
01			
75	MS21919WDG5	. CLAMP . . . . .	01
76	MS21919WDG2	. CLAMP . . . . .	01
		. ATTACHING PARTS	
77	MS27039-1-09	. SCREW . . . . .	01
78	MS21044N3	. NUT . . . . .	01
		—*—	
79	6314210-2	. TUBE ASSY-SUPPLY BOTTLE TO ELBOW . . . . .	01
80	MS21919WDG5	. CLAMP . . . . .	01
		. ATTACHING PARTS	
81	MS27039-1-33	. SCREW . . . . .	01
82	NAS43DD3-93N	. SPACER . . . . .	01
83	NAS1149F0332P	. WASHER . . . . .	01
84	MS21044N3	. NUT . . . . .	01
		—*—	
85	AN833-5D	. ELBOW . . . . .	01
86	250-215-5	. SEAL . . . . . V83259	01
87	AN6289D5	. NUT . . . . .	01
88	6314854-4	. LINE ASSY-SUPPLY TO ELBOW UNION . . . . .	01
89	AS5174D0505	. UNION . . . . .	01
90	6314200-12	. LINE ASSY-SUPPLY UNION TO TEE . . . . .	01
91	MS21919WDG5	. CLAMP . . . . .	03
		. ATTACHING PARTS	
92	MS35207-263	. SCREW . . . . .	01
93	MS21042L3	. NUT . . . . .	01
		—*—	
94	CM2921-3	. BRACKET-CLAMP . . . . .	03
		. ATTACHING PARTS	
95	MS35207-263	. SCREW . . . . .	01
96	MS21042L3	. NUT . . . . .	01
		—*—	
97		. OXYGEN SYSTEM-CREW REFER TO 35-10-00 FIGURE 01 . . . . .	RF

CESSNA®  
MODEL 525 (SERIALS -0685 AND -0800 AND ON)  
ILLUSTRATED PARTS CATALOG

A88371



**DETAIL A**

OXYGEN SYSTEM - CREW  
FIGURE 01 (SHEET 1)

6310T1001  
A6314T1836

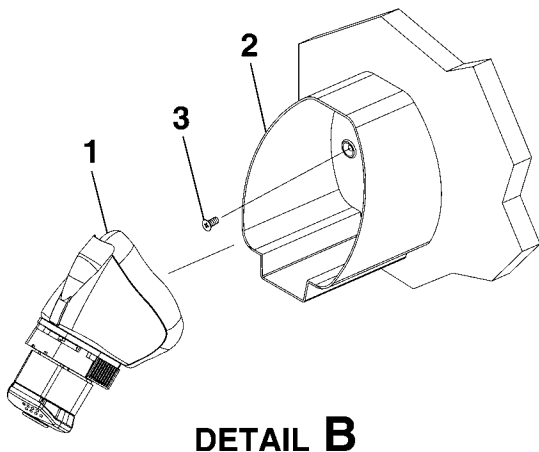
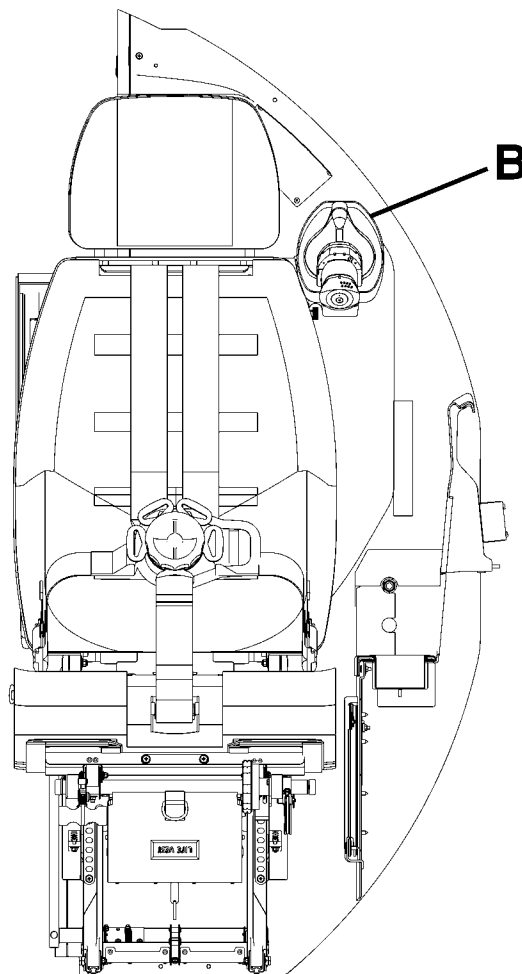
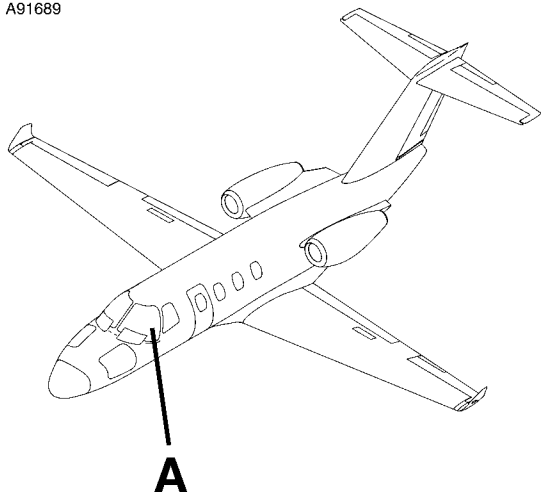
CESSNA®  
**MODEL 525 (SERIALS -0685 AND -0800 AND ON)**  
 ILLUSTRATED PARTS CATALOG

FIG ITEM	PART NUMBER	NOMENCLATURE	UNITS
			PER ASSY
01		OXYGEN SYSTEM - CREW	RF
-		. OXYGEN SYSTEM-REFER TO 35-00-00 FIGURE 01 . . . . .	RF
1		. TEE . . . . .	02
2	AN824-5D	. LINE ASSY-RH TEE TO OUTLET VALVE . . . . .	01
3	6314200-9	. ELBOW . . . . .	03
4	AS5195W0502	. PLUG . . . . .	02
5	MS20913-1D	. OUTLET-REFER TO NOTE 1 . . . . .	02
6	9912057-15	. CREW MASK-REFER TO 35-10-02 FIGURE 02 . . . . .	RF R
7		. LINE ASSY-RH TEE TO UNION . . . . .	01
8	6314200-17	. CLAMP . . . . .	03
9	MS21919WDG5	. ATTACHING PARTS	
10	MS35207-263	. SCREW . . . . .	01
11	MS21042L3	. NUT . . . . .	01
		—*—	
12	CM2921-3	. BRACKET-CLAMP . . . . .	03
		. ATTACHING PARTS	
13	MS35207-263	. SCREW . . . . .	01
14	MS21042L3	. NUT . . . . .	01
		—*—	
15	MS35489-12	. GROMMET . . . . .	01
16	AS5174D0505	. UNION . . . . .	04
17	6314200-13	. LINE ASSY-RH . . . . .	01
18	6314200-3	. LINE ASSY-OVERHEAD . . . . .	01
19	MS35489-10	. GROMMET . . . . .	02
20	6314200-14	. LINE ASSY-LH UNION TO UNION . . . . .	01
21	6314200-15	. LINE ASSY-LH UNION TO TEE . . . . .	01
22	6514230-10	. LINE ASSY-LH OXYGEN TEE TO PILOTS OUTLET VALVE . . . . .	01
23	6314440-11	. TUBE ASSY-LH TEE TO 3 POSITION VALVE . . . . .	01
24	P21007	. CONTROL VALVE-OXYGEN 3 POSITION . . . . .	01
		. ATTACHING PARTS	
25	MS35206-226	. SCREW . . . . .	04
		—*—	
26	P80014	. KNOB . . . . .	01
27	MS35489-147	. GROMMET . . . . .	01
28		. OXYGEN SYSTEM-PASSENGER-REFER TO 35-20-00 FIGURE 01 . . . . .	RF

NOTE 1—REFER TO MAINTENANCE MANUAL FOR SUPPLIERS PUBLICATION LIST.

CESSNA®  
**MODEL 525 (SERIALS -0685 AND -0800 AND ON)**  
ILLUSTRATED PARTS CATALOG

A91689



**DETAIL A**  
View Looking Aft at Pilot's Seat

**DETAIL B**

6310T1168  
A6314T1874  
B6314T1874

OXYGEN MASK INSTALLATION  
FIGURE 02 (SHEET 1)

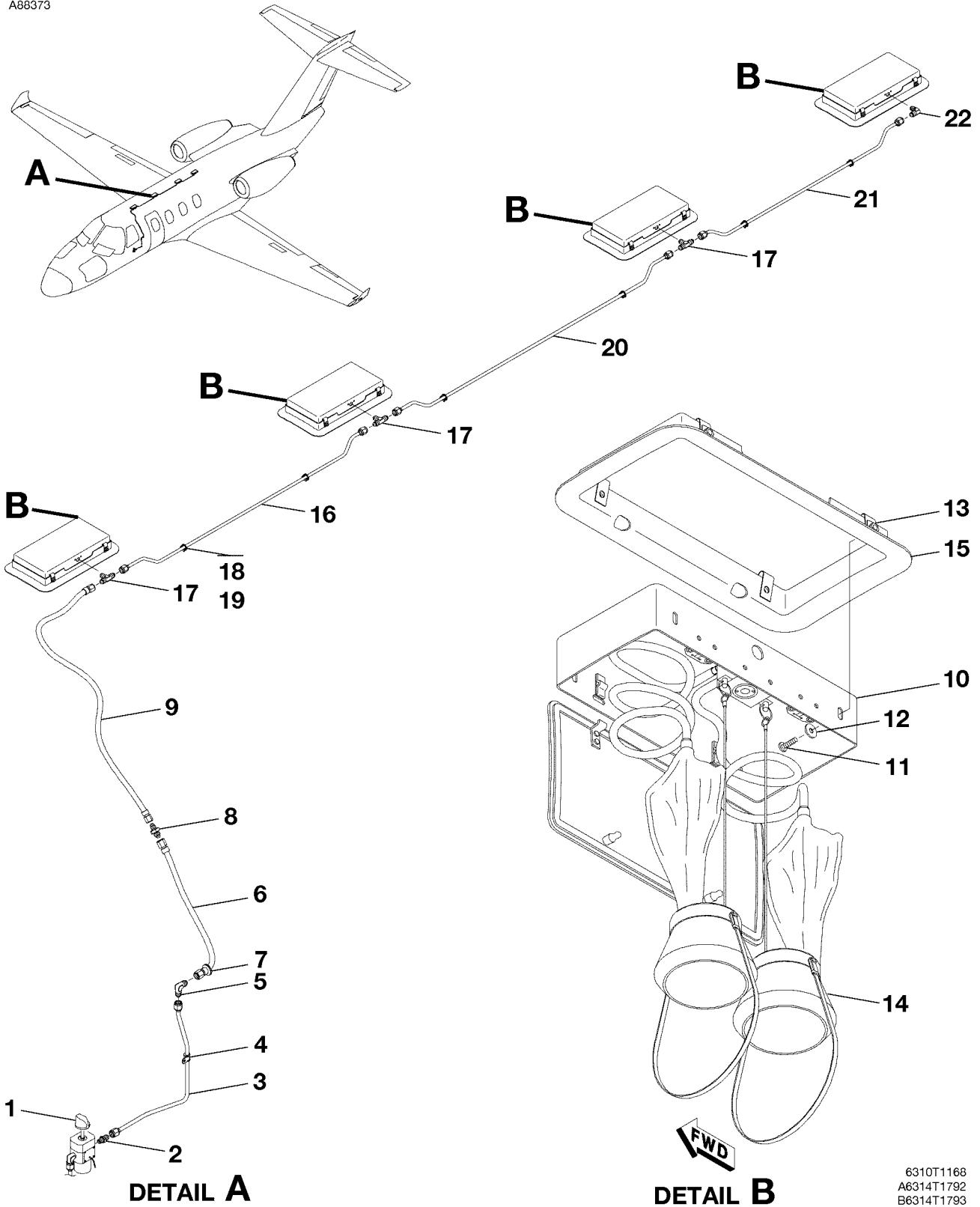
CESSNA®  
**MODEL 525 (SERIALS -0685 AND -0800 AND ON)**  
 ILLUSTRATED PARTS CATALOG

FIG ITEM	PART NUMBER	1 2 3 4 5 6 7	NOMENCLATURE	UNITS PER ASSY	
02			OXYGEN MASK INSTALLATION		RF
-			. CREW MASK-OXYGEN . . . . .		02
1	9914771-1		. CREW MASK-OXYGEN OPTIONAL . . . . .	0900	& ON 02 R
- 1A	9914067-41		. CUP . . . . . V16827		02 R
2	119302-90		. CUP-OPTIONAL . . . . .	0900	& ON 02 R
- 2A	MXP105		ATTACHING PARTS		
3	MS24694-S48		. SCREW . . . . .		04 R
			—*—		

- ITEM NOT ILLUSTRATED

CESSNA®  
MODEL 525 (SERIALS -0685 AND -0800 AND ON)  
ILLUSTRATED PARTS CATALOG

A88373



OXYGEN SYSTEM - PASSENGER  
FIGURE 01 (SHEET 1)

6310T1168  
A6314T1792  
B6314T1793

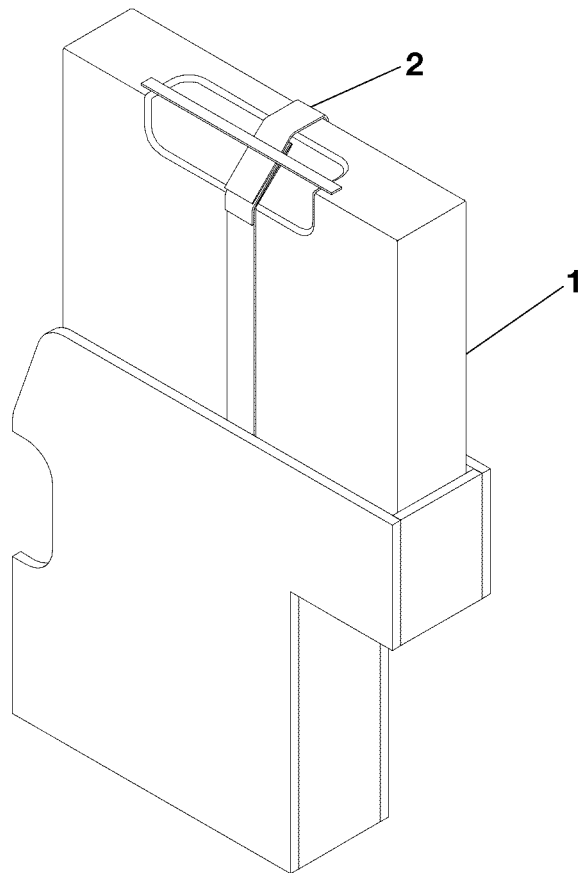
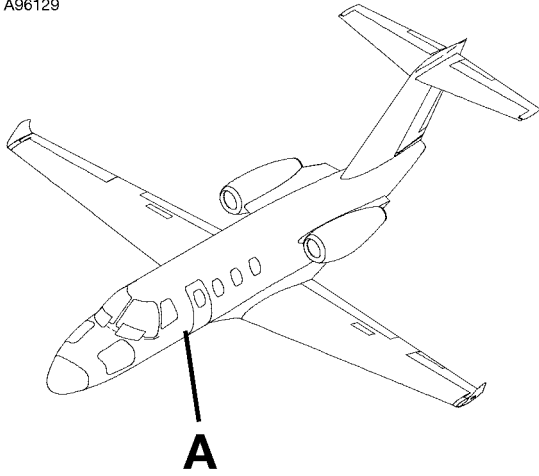
CESSNA®  
**MODEL 525 (SERIALS -0685 AND -0800 AND ON)**  
 ILLUSTRATED PARTS CATALOG

FIG ITEM	PART NUMBER	NOMENCLATURE	UNITS
			PER ASSY
		1 2 3 4 5 6 7	
01		OXYGEN SYSTEM - PASSENGER	RF
-		. VALVE-3 POSITION REFER TO 35-10-00 FIGURE 01 . . . . .	RF
1		. ADAPTER . . . . .	01
2	AS5194D0502	. TUBE ASSY-LH NIPPLE TO ELBOW . . . . .	01
3	6314441-6	. CLAMP-CREW OXYGEN SYSTEM REFER TO 35-10-00 FIGURE 01 . . . . .	RF
4		. ELBOW . . . . .	01
5	AN821-5D	. HOSE ASSY . . . . . V24984	01
6	37009-5-0180	. GROMMET . . . . .	01
7	MS35489-17	. REDUCER . . . . .	01
8	AS5174D0504	. HOSE ASSY . . . . . V24984	01
9	37009-4-0390	. OXYGEN BOX-DUAL . . . . .	04
10	9912414-9	. ATTACHING PARTS	
		. SCREW . . . . .	04
11	MS27039-0807	. WASHER . . . . .	04
12	NAS1149DN832J	. NUT . . . . .	04
13	S1477-8A	. . . . .	
14	174006-31	. . . . . MASK ASSY-PASSENGER . . . . . V16827	01
15	4711899-5	. ATTACH BRACKET-OXYGEN . . . . .	04
16	4711899-11	. TUBE ASSY . . . . .	01
17	MS20825-4D	. TEE . . . . .	03
18	S1741-3	. ANCHOR . . . . .	06
19	S2209-1	. TIE . . . . .	06
20	4711899-12	. TUBE ASSY . . . . .	01
21	4711899-13	. TUBE ASSY . . . . .	01
22	MS20822-4D	. ELBOW . . . . .	01

- ITEM NOT ILLUSTRATED

CESSNA®  
**MODEL 525 (SERIALS -0685 AND -0800 AND ON)**  
ILLUSTRATED PARTS CATALOG

A96129



**DETAIL A**

PROTECTIVE BREATHING EQUIPMENT (PBE)  
FIGURE 01 (SHEET 1)

6310T1168  
A6314T1379



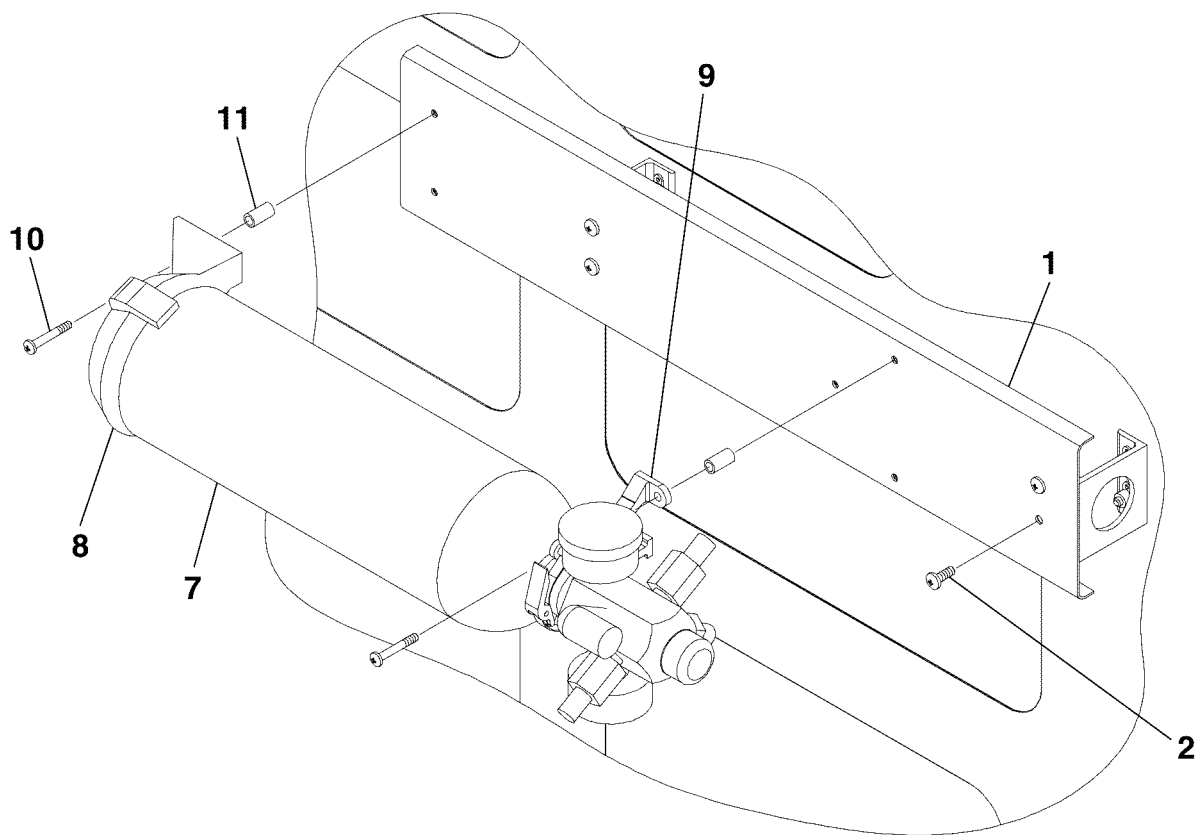
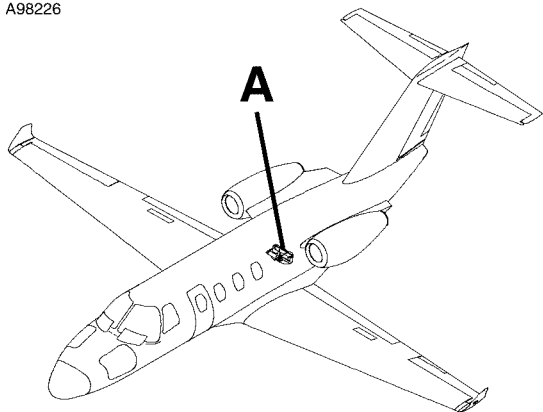
CESSNA®  
**MODEL 525 (SERIALS -0685 AND -0800 AND ON)**  
 ILLUSTRATED PARTS CATALOG

FIG ITEM	PART NUMBER	1 2 3 4 5 6 7	NOMENCLATURE	UNITS PER ASSY
01				
-			PROTECTIVE BREATHING EQUIPMENT (PBE)	RF
1	MR10051N		. PBE REFER TO NOTE 1 . . . . . V0U058	01 R
2			. MAP CASE REFER TO 25-10-00 FIGURE 03 . . . . .	RF
NOTE 1—USED ON LUXEMBOURG, SOUTH AFRICAN, DANISH, ISLE OF MAN, BRITISH, GERMAN, AUSTRALIAN, ITALIAN, FRENCH, POLISH, SWISS, AND CZECH CERTIFIED AIRPLANES.				R

- ITEM NOT ILLUSTRATED

CESSNA®  
MODEL 525 (SERIALS -0685 AND -0800 AND ON)  
ILLUSTRATED PARTS CATALOG

A98226



**DETAIL A**

M2 O2 BOTTLE INSTALLATION  
FIGURE 02 (SHEET 1)

6310T1168  
A4711T990-1

CESSNA®  
**MODEL 525 (SERIALS -0685 AND -0800 AND ON)**  
 ILLUSTRATED PARTS CATALOG

FIG ITEM	PART NUMBER	1 2 3 4 5 6 7	NOMENCLATURE	UNITS PER ASSY
02			M2 O2 BOTTLE INSTALLATION	RF
-			. CHANNEL ASSY REFER TO NOTE 1 . . . . .	01 R
1	4711990-2		. ATTACHING PARTS	
			. SCREW . . . . .	04 R
2	MS27039-1-08		. SCREW REFER TO NOTE 1 . . . . .	04 R
- 3	AN525-10R16		. SPACER REFER TO NOTE 1 . . . . .	04 R
- 4	NAS43HT3-34		. NUTPLATE . . . . .	05 R
			. CHANNEL . . . . .	01 R
- 5	MS21069L08		. O2 BOT 7.15 CF 3PORT REFER TO NOTE 1 . . . . . V53655	01 R
- 6	4711990-3		. BRACKET-LOWER REFER TO NOTE 1 . . . . . V53655	01 R
7	5500L6W-BEF23A		. BRACKET-UPPER REFER TO NOTE 1 . . . . . V53655	01 R
8	36758-11		. ATTACHING PARTS	
9	36758-12		. SCREW . . . . .	05 R
- 10	MS27039-0818		. SCREW REFER TO NOTE 1 . . . . .	05 R
- 10A	MS27039-0813		. SPACER . . . . .	05 R
11	NAS43DD3-38FC		. WASHER REFER TO NOTE 1 . . . . .	05 R
- 12	NAS1149FN832P		. . . . .	

NOTE 1—USED ON CANADIAN, AUSTRALIAN, AND FRENCH CERTIFIED AIRPLANES.

R



**CHAPTER**

**36**

**PNEUMATIC**



CESSNA®  
**MODEL 525 (SERIALS -0685 AND -0800 AND ON)**  
ILLUSTRATED PARTS CATALOG

<b>CHAPTER SECTION SUBJECT</b>		<b>NUMBER OF PAGES</b>	<b>DATE</b>
36 - TITLE			
36 - LIST OF EFFECTIVE PAGES			
36 - RECORD OF TEMPORARY REVISIONS			
36 - TABLE OF CONTENTS			
36-10-00	Figure 01	6	Jun 1/2017
36-10-00	Figure 02	2	Nov 1/2013
36-10-00	Figure 03	4	Nov 1/2013







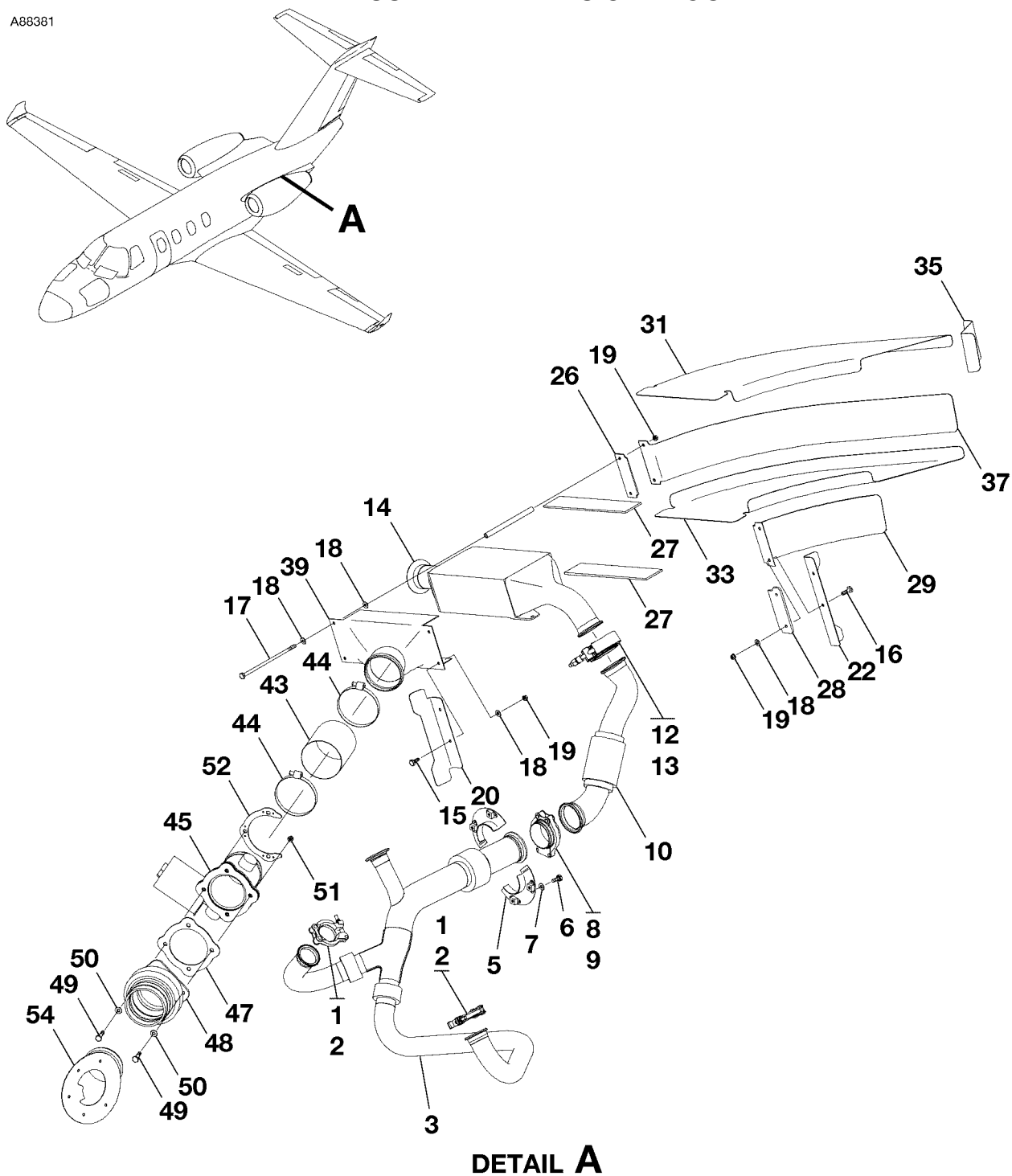


CESSNA®  
**MODEL 525 (SERIALS -0685 AND -0800 AND ON)**  
 ILLUSTRATED PARTS CATALOG

<u>SUBJECT</u>	<u>CHAPTER SECTION SUBJECT</u>	<u>FIGURE</u>	<u>EFFECTIVITY</u>	
			<u>START</u>	<u>END</u>
PNEUMATIC SYSTEM - BLEED AIR	36-10-00	01		
ACTUATOR PLUMBING INSTALLATION - AIR CONDITIONING INLET	36-10-00	02		
PNEUMATIC SYSTEM - DOOR SEAL	36-10-00	03		

CESSNA®  
**MODEL 525 (SERIALS -0685 AND -0800 AND ON)**  
 ILLUSTRATED PARTS CATALOG

A88381



PNEUMATIC SYSTEM - BLEED AIR  
 FIGURE 01 (SHEET 1)

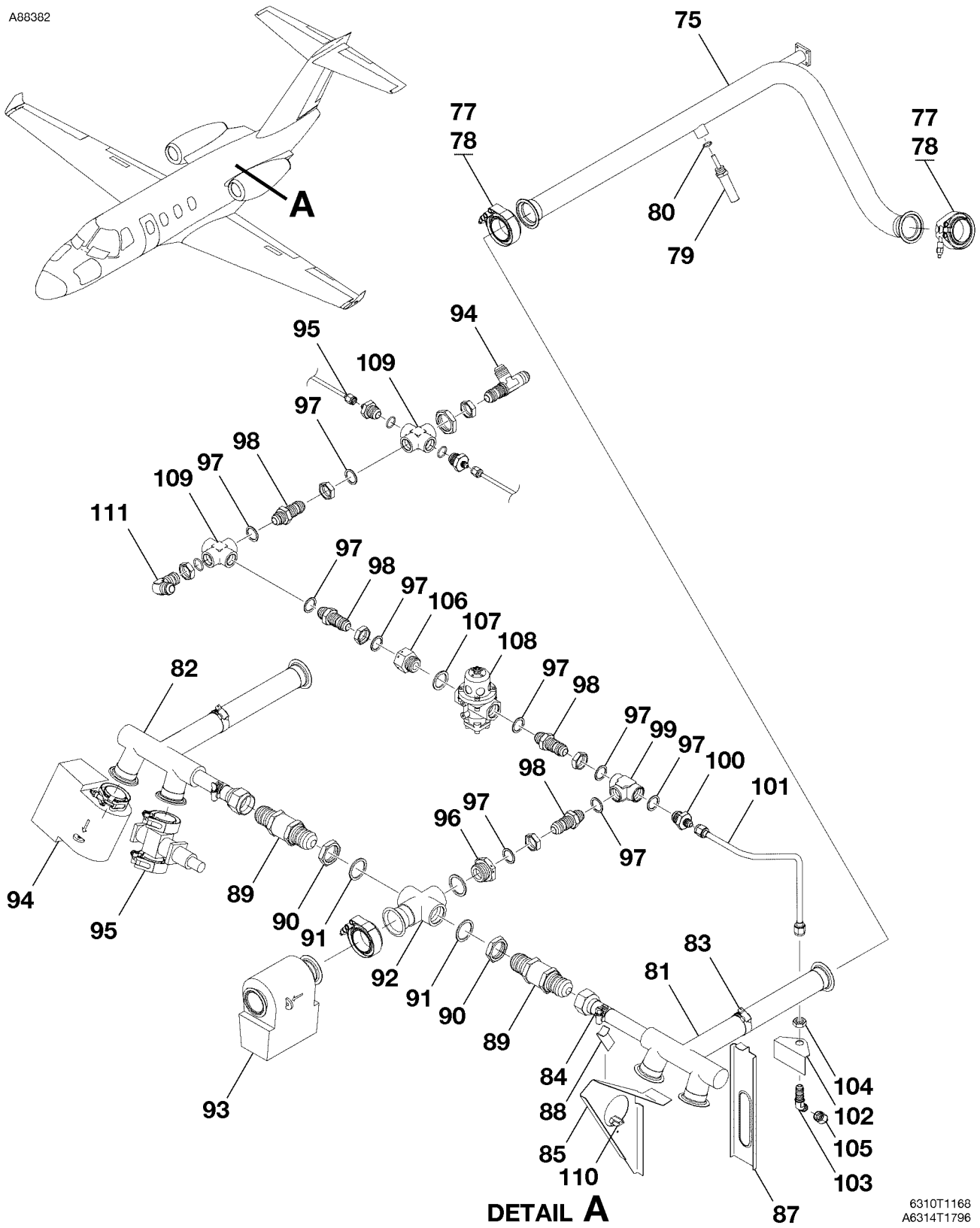
6310T1168  
 A6314T1795

CESSNA®  
**MODEL 525 (SERIALS -0685 AND -0800 AND ON)**  
 ILLUSTRATED PARTS CATALOG

FIG ITEM	PART NUMBER	NOMENCLATURE	UNITS PER ASSY
	1 2 3 4 5 6 7		
01		PNEUMATIC SYSTEM - BLEED AIR	RF
-			
1	30931-125	. CLAMP-LH AND RH ENGINE . . . . . V15284	04
2	13866-125	. SEAL-LH AND RH ENGINE . . . . . V15284	04
3	6355530-1	. TUBE ASSY-LH . . . . .	01
- 4	6355530-2	. TUBE ASSY-RH . . . . .	01
5	6355530-26	. CLOSEOUT ASSY . . . . .	04
		ATTACHING PARTS	
6	AN3-4A	. BOLT . . . . .	02
7	NAS1149F0332P	. WASHER . . . . .	02
		—*—	
8	30931-175	. CLAMP . . . . . V15284	02
9	13866-175	. SEAL . . . . . V15284	02
10	6354072-15	. TUBE ASSY-LH . . . . .	01
- 11	6354072-16	. TUBE ASSY-RH . . . . .	01
12	S1921-3	. CLAMP . . . . .	02
13	24346-150C	. GASKET . . . . . V00624	02
14	9914402-2	. PRECOOLER ASSY . . . . .	02
		ATTACHING PARTS	
15	AN3-4A	. BOLT . . . . .	02
16	AN3-5A	. BOLT . . . . .	02
17	AN3-46A	. BOLT . . . . .	02
18	NAS1149F0332P	. WASHER . . . . .	10
19	MS21043-3	. NUT . . . . .	06
		—*—	
- 20	6312266-51	. ANGLE-LH FWD OUTBOARD . . . . .	01
21	6312266-52	. ANGLE-RH FWD OUTBOARD . . . . .	01
22	6312266-53	. ANGLE-LH AFT OUTBOARD . . . . .	01
- 23	6312266-54	. ANGLE-RH AFT OUTBOARD . . . . .	01
24	6312268-27	. AFT DUCT ASSY-LH . . . . .	01
- 25	6312268-28	. AFT DUCT ASSY-RH . . . . .	01
26	6314511-3	. GASKET-PRECOOLER . . . . .	01
27	6314511-4	. GASKET-PRECOOLER . . . . .	02 R
28	6314514-13	. GASKET-PRECOOLER . . . . .	01 R
29	6312268-35	. AFT DUCT-LH OUTBOARD . . . . .	01
- 30	6312268-36	. AFT DUCT-RH OUTBOARD . . . . .	01
31	6312268-29	. AFT DUCT-LH UPPER . . . . .	01
- 32	6312268-30	. AFT DUCT-RH UPPER . . . . .	01
33	6312268-31	. AFT DUCT-LH LOWER . . . . .	01
- 34	6312268-32	. AFT DUCT-RH LOWER . . . . .	01
35	6312268-25	. DUCT BRACKET-LH . . . . .	01
- 36	6312268-26	. DUCT BRACKET-RH . . . . .	01
37	6312268-33	. AFT DUCT-LH INBOARD . . . . .	01
- 38	6312268-34	. AFT DUCT-RH INBOARD . . . . .	01
39	6312268-21	. INLET DIFFUSER ASSY-LH . . . . .	01
- 40	6312268-22	. INLET DIFFUSER ASSY-RH . . . . .	01
- 41	6314511-3	. GASKET-PRECOOLER . . . . .	01
- 42	6314511-4	. GASKET-PRECOOLER . . . . .	02
43	CM3213-10-2.60	. SLEEVE . . . . .	02
44	NAS1922-0275-1	. CLAMP . . . . .	06
45	9912584-1	. MODULATING VALVE-LH . . . . .	01
- 46	9912584-2	. MODULATING VALVE-RH . . . . .	01
47	6314520-11	. GASKET . . . . .	04
48	TA71000565	. BELLOWS . . . . . V84971	02
		ATTACHING PARTS	
49	AN3-7A	. BOLT . . . . .	04
50	NAS1149F0332P	. WASHER . . . . .	05
51	MS21043-3	. NUT . . . . .	01
		—*—	
52	6312705-80	. NUTPLATE ASSY . . . . .	02
- 53	MS21059-3	. NUTPLATE . . . . .	03
54	6355533-1	. BOSS ASSY . . . . .	02

CESSNA®  
**MODEL 525 (SERIALS -0685 AND -0800 AND ON)**  
 ILLUSTRATED PARTS CATALOG

A88382



**DETAIL A**

PNEUMATIC SYSTEM - BLEED AIR  
 FIGURE 01 (SHEET 2)

6310T1168  
 A6314T1796

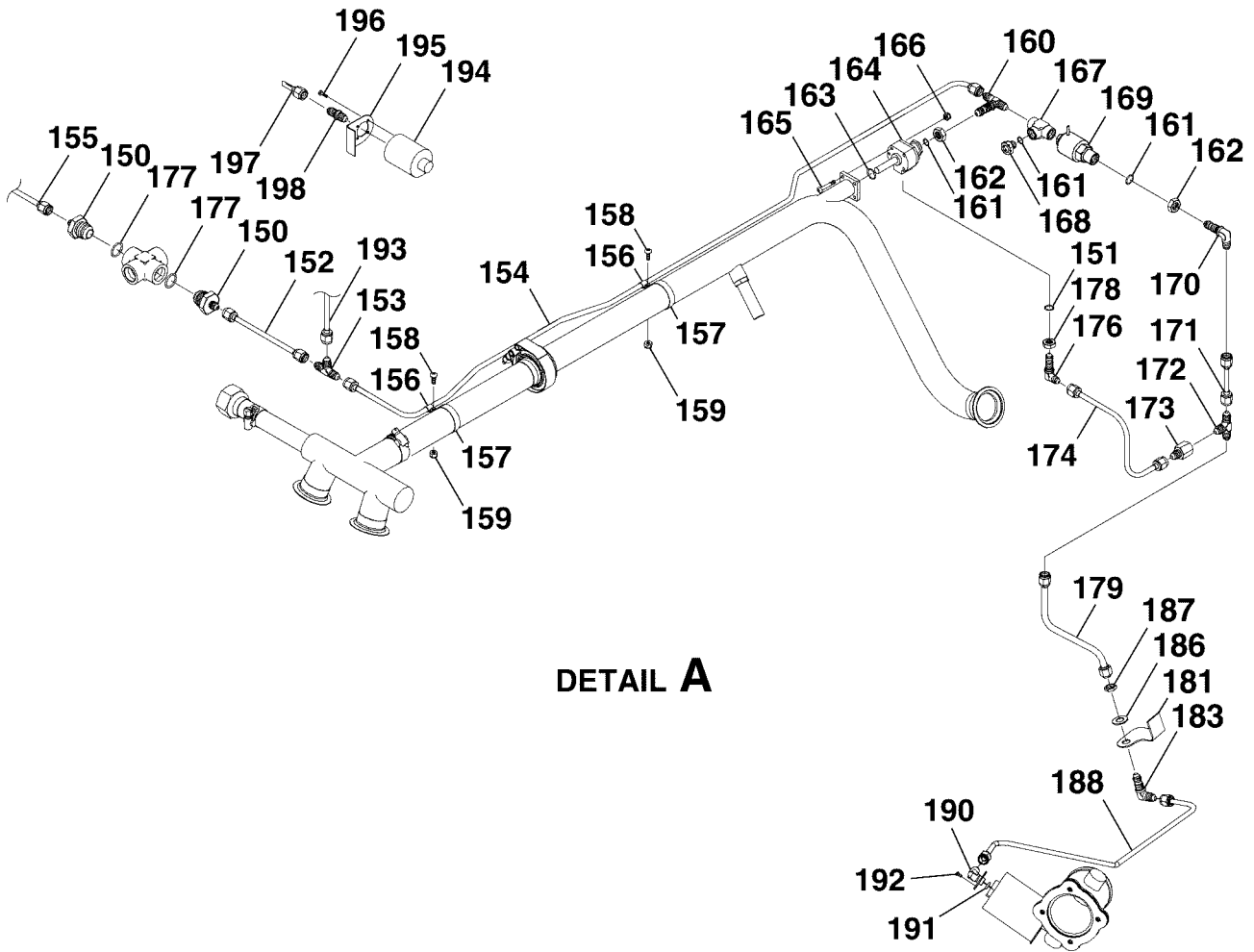
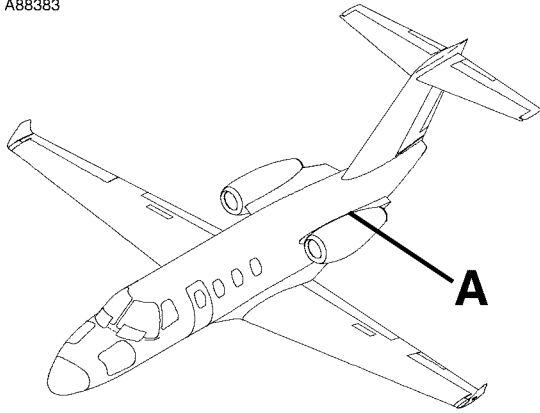
CESSNA®  
**MODEL 525 (SERIALS -0685 AND -0800 AND ON)**  
 ILLUSTRATED PARTS CATALOG

FIG ITEM	PART NUMBER	NOMENCLATURE	UNITS
			PER ASSY
		1 2 3 4 5 6 7	
01			
75	6314304-25	. TUBE ASSY-LH . . . . .	01
- 76	6314304-24	. TUBE ASSY-RH . . . . .	01
77	S1921-3	. CLAMP . . . . .	02
78	24346-150C	. GASKET . . . . . V00624	02
79	9914149-2	. OVERTEMP SWITCH . . . . .	02
80	MS9385-05	. O-RING . . . . .	02
81	6314304-47	. MANIFOLD ASSY-LH . . . . .	01
82	6314304-46	. MANIFOLD ASSY-RH . . . . .	01
83	AN737TW56	. CLAMP . . . . .	02
84	AN737TW48	. CLAMP . . . . .	02
85	6314304-44	. SUPPORT-LH . . . . .	01
- 86	6314304-45	. SUPPORT-RH . . . . .	01
87	6314304-23	. SUPPORT . . . . .	02
88	6314300-5	. ANGLE-SUPPORT . . . . .	02
89	1553-00-18	. CHECK VALVE . . . . . V09445	02
90	AN924-16	. NUT . . . . .	02
91	R512-16	. GASKET . . . . . V07060	03
92	6314301-18	. FITTING ASSY . . . . .	01
93		. WINDSHIELD ANTI-ICE SYSTEM BLEED AIR REFER TO 30-40-00 FIGURE 01 . . . . .	RF
94		. DEICE SYSTEM-PNEUMATIC REFER TO 30-10-00 FIGURE 01 . . . . .	RF
95		. CABIN PRESSURIZATION SYSTEM REFER TO 21-30-00 FIGURE 01 . . . . .	RF
96	AN893-20D	. BUSHING . . . . .	01
97	R512-10	. GASKET . . . . . V07060	09
98	AN832-10D	. UNION . . . . .	04
99	AN938D10	. TEE . . . . .	01
100	AS5174D1006	. REDUCER . . . . .	01
101	6314303-2	. TUBE ASSY . . . . .	01
102	6314303-3	. BRACKET . . . . .	01
103	AN837-6D	. ELBOW . . . . .	01
104	AN924-6D	. NUT . . . . .	01
105	AN929-6	. CAP ASSY . . . . .	01
106	AN893-19D	. BUSHING . . . . .	01
107	6290-12	. GASKET . . . . . V06981	01
108	9912510-1	. SERVICE AIR REGULATOR . . . . .	01
109	AN937D10	. CROSS . . . . .	02
110	S4132-1	. ANCHOR . . . . .	02
111		. PNEUMATIC SYSTEM-DOOR SEAL REFER TO 36-10-00 FIGURE 03 . . . . .	RF

- ITEM NOT ILLUSTRATED

CESSNA®  
**MODEL 525 (SERIALS -0685 AND -0800 AND ON)**  
 ILLUSTRATED PARTS CATALOG

A88383



**DETAIL A**

PNEUMATIC SYSTEM - BLEED AIR  
 FIGURE 01 (SHEET 3)

6310T1168  
 A6314T1797



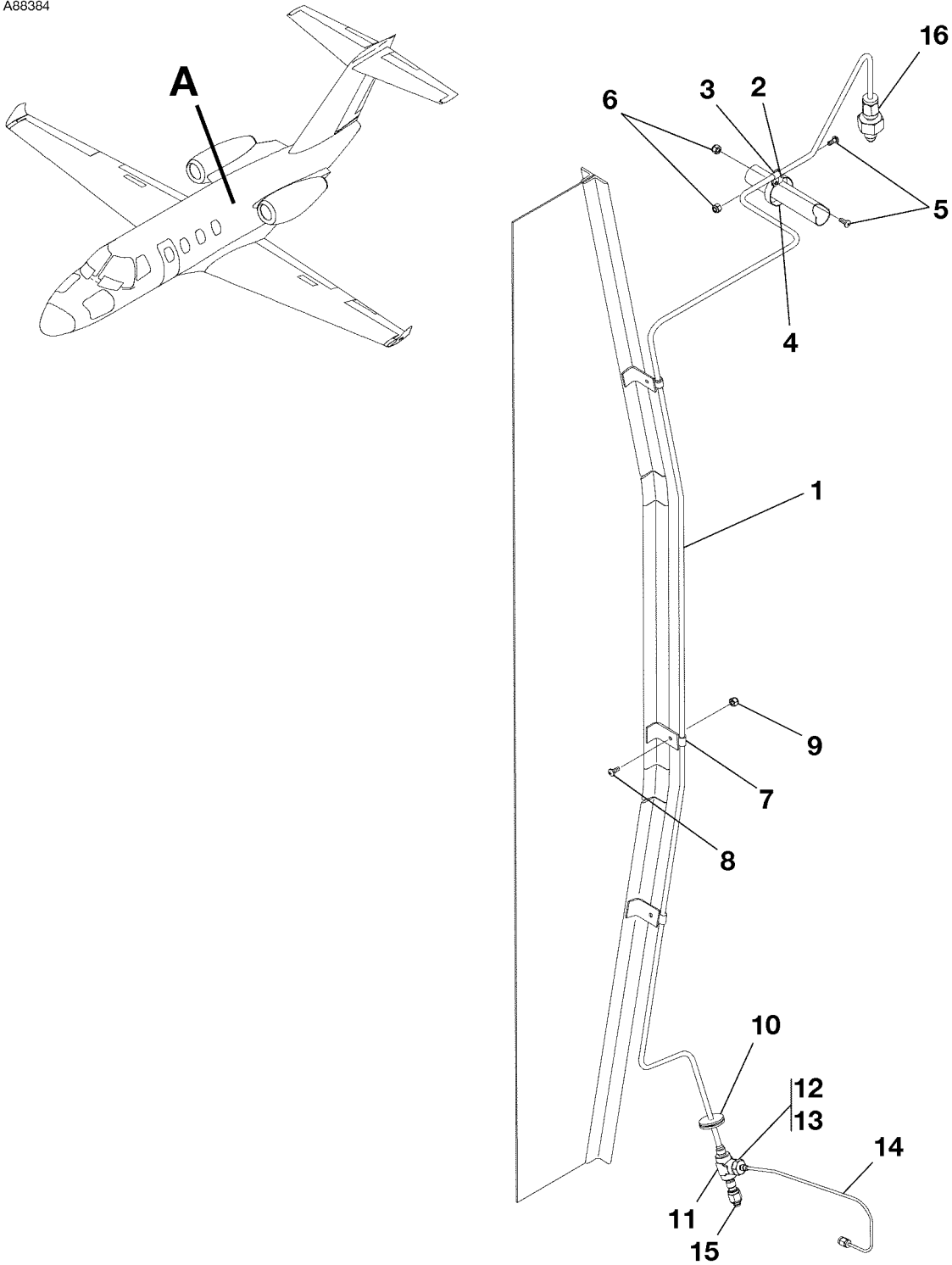
CESSNA®  
**MODEL 525 (SERIALS -0685 AND -0800 AND ON)**  
 ILLUSTRATED PARTS CATALOG

FIG ITEM	PART NUMBER	NOMENCLATURE	UNITS
			PER ASSY
01			
150	AS5174D1004	. REDUCER . . . . .	02
151	AS3582-011	. O-RING . . . . .	02
152	6314305-55	. TUBE ASSY . . . . .	01
153	AN824-4D	. TEE . . . . .	01
154	6314305-56	. TUBE ASSY-LH . . . . .	01
155	6314305-22	. TUBE ASSY-RH . . . . .	01
156	AN735-4	. CLAMP . . . . .	03
157	AN735-24	. CLAMP . . . . .	03
		ATTACHING PARTS	
158	MS27039-1-08	. SCREW . . . . .	01
159	MS21044N3	. NUT . . . . .	01
		—*—	
160	AN834-4D	. TEE . . . . .	02
161	AS3582-012	. O-RING . . . . .	06
162	AN924-4D	. NUT . . . . .	02
163	AS3582-016	. O-RING . . . . .	02
164	9912584-3	. SENSOR-TEMPERATURE . . . . .	02
		ATTACHING PARTS	
165	MS27039-0819	. SCREW . . . . .	04
166	MS21042L08	. NUT . . . . .	04
		—*—	
167	AN938D4	. TEE . . . . .	02
168	AS5169D04	. PLUG/BLEEDER . . . . .	02
169	5060-00-1	. VALVE . . . . . V09445	02
170	AS1038W0404	. ELBOW . . . . .	02
171	6314305-46	. TUBE ASSY . . . . .	02
172	MS24402D4	. TEE . . . . .	02
173	AN894D4-3	. BUSHING . . . . .	02
174	6314305-47	. TUBE ASSY-LH . . . . .	01
- 175	6314305-48	. TUBE ASSY-RH . . . . .	01
176	AN833-3D	. ELBOW . . . . .	02
177	AS3582-018	. O-RING . . . . .	02
178	AN924-3D	. NUT FSO AN924-3W . . . . .	NP
- 178A	AN924-3W	. NUT . . . . .	02
179	6314305-49	. TUBE ASSY-LH . . . . .	01
- 180	6314305-50	. TUBE ASSY-RH . . . . .	01
181	6314305-43	. BRACKET-LH . . . . .	01
- 182	6314305-44	. BRACKET-RH . . . . .	01
183	6314305-45	. DRAIN ELBOW ASSY . . . . .	02
- 184	AS1038W0404	. ELBOW . . . . .	01
- 185	S2121-2S022	. PLUG . . . . .	01
186	NAS1149D0763J	. WASHER . . . . .	02
187	AN316-7R	. NUT . . . . .	02
188	6314317-3	. TUBE ASSY-LH . . . . .	01
- 189	6314317-4	. TUBE ASSY-RH . . . . .	01
190	6314483-32	. ELBOW ASSY . . . . .	02
191	MS9388-107	. WASHER . . . . .	01
192	MS35206-213	. SCREW . . . . .	02
193		. AIR CONDITIONING COMPRESSOR AND CONDENSOR INSTALLATION REFER TO 21-50-02 FIGURE 01 . . . . .	RF
194	GBC300-82	. BAROMETRIC SWITCH . . . . . V58918	01
195	6314483-27	. BRACKET . . . . .	01
		ATTACHING PARTS	
196	MS35206-227	. SCREW . . . . .	04
		—*—	
197	5617115-1	. TUBE ASSY . . . . .	01
198	AN832-4D	. UNION . . . . .	01 R
- 198A	MS24393D4	. UNION ALT FOR AN832-4D . . . . .	01 R

- ITEM NOT ILLUSTRATED

CESSNA®  
MODEL 525 (SERIALS -0685 AND -0800 AND ON)  
ILLUSTRATED PARTS CATALOG

A88394



**DETAIL A**

ACTUATOR PLUMBING INSTALLATION - AIR CONDITIONING INLET  
FIGURE 02 (SHEET 1)

6310T1168  
A6314T1154A

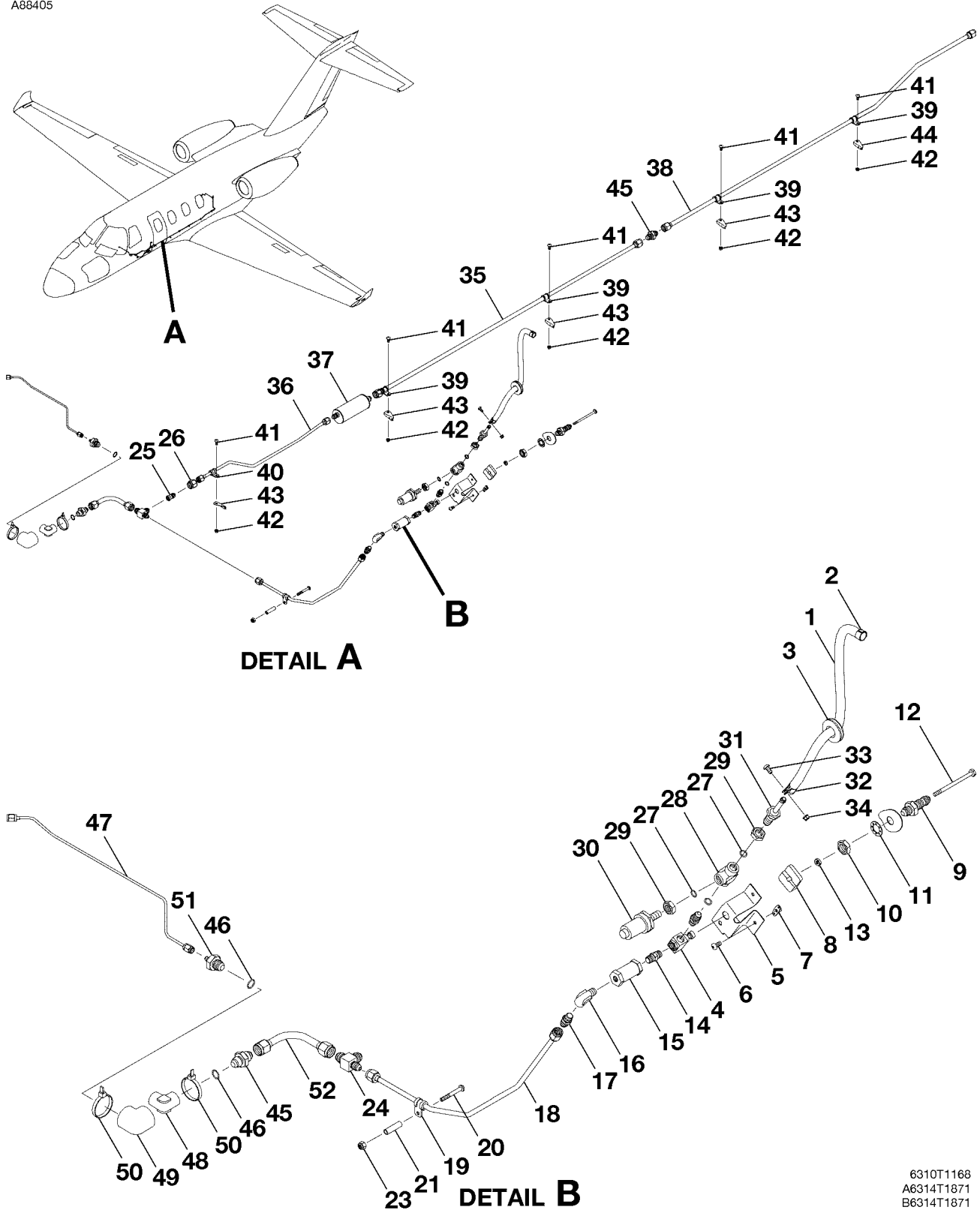
CESSNA®  
**MODEL 525 (SERIALS -0685 AND -0800 AND ON)**  
 ILLUSTRATED PARTS CATALOG

FIG ITEM	PART NUMBER	NOMENCLATURE	UNITS
			PER ASSY
02			
-		ACTUATOR PLUMBING INSTALLATION - AIR CONDITIONING INLET	RF
1	6314306-8	. TUBE ASSY . . . . .	01
2	6314306-4	. BRACKET . . . . .	01
3	AN735-4	. CLAMP . . . . .	01
4	AN735-24	. CLAMP . . . . .	01
		ATTACHING PARTS	
5	MS27039-1-08	. SCREW . . . . .	02
6	MS21044N3	. NUT . . . . .	02
		—*—	
7	MS21919WDG4	. CLAMP . . . . .	04
		ATTACHING PARTS	
8	MS27039-1-07	. SCREW . . . . .	01
9	MS21044N3	. NUT . . . . .	01
		—*—	
10	MS35489-8	. GROMMET . . . . .	01
11	AN783D4	. TEE . . . . .	01
12	AS5174D0402	. REDUCER . . . . .	01
13	AS3582-012	. O-RING . . . . .	01
14	6314306-10	. TUBE ASSY . . . . .	01
15	6315200-20	. CAP . . . . .	01
16		. PNEUMATIC SYSTEM-BLEED AIR REFER TO 36-10-00-FIGURE 01 . . . . .	RF

- ITEM NOT ILLUSTRATED

CESSNA®  
**MODEL 525 (SERIALS -0685 AND -0800 AND ON)**  
 ILLUSTRATED PARTS CATALOG

A88405



PNEUMATIC SYSTEM - DOOR SEAL  
 FIGURE 03 (SHEET 1)

6310T1168  
 A6314T1871  
 B6314T1871

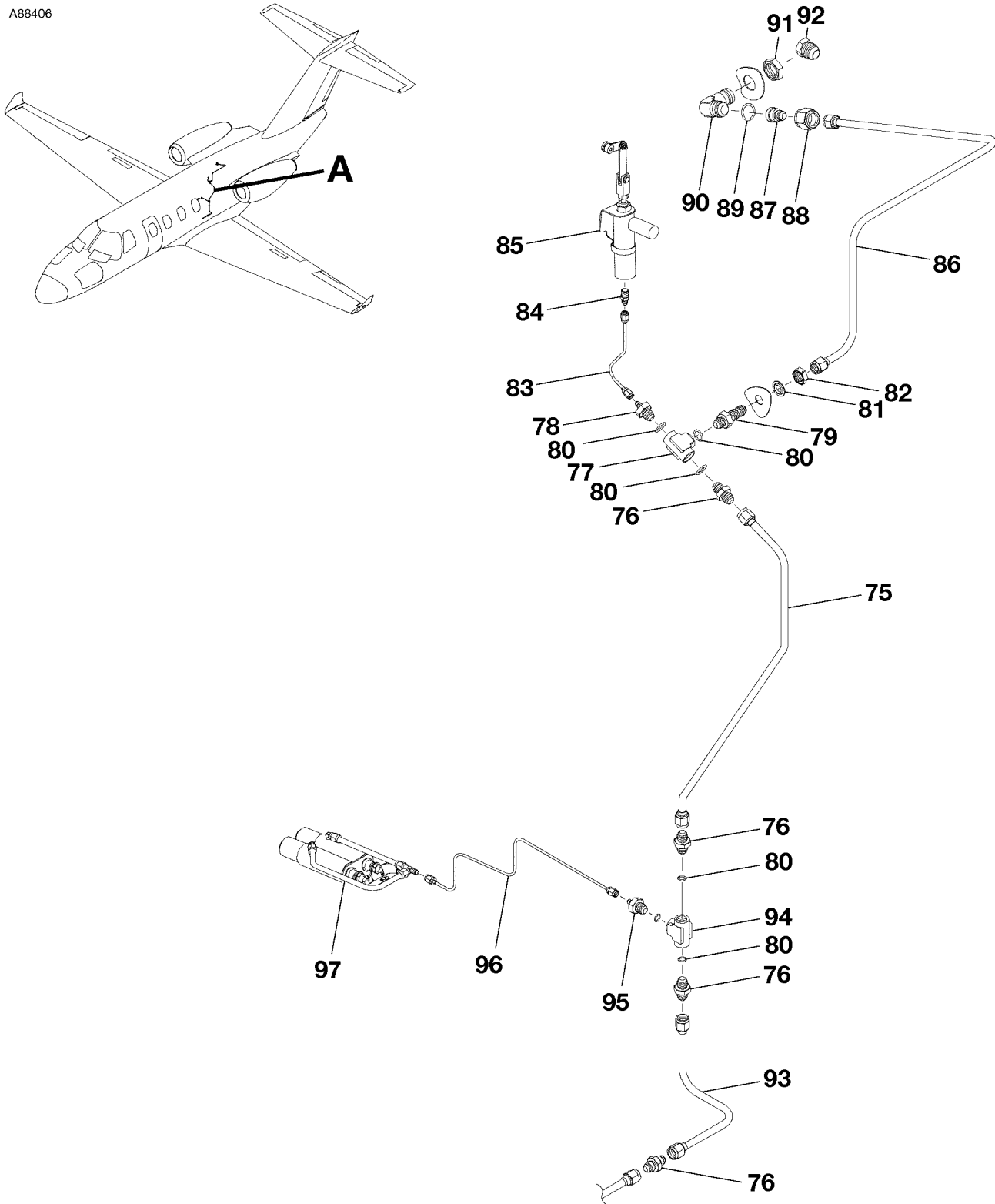
CESSNA®  
**MODEL 525 (SERIALS -0685 AND -0800 AND ON)**  
 ILLUSTRATED PARTS CATALOG

FIG ITEM	PART NUMBER	NOMENCLATURE	UNITS
			PER ASSY
03		PNEUMATIC SYSTEM - DOOR SEAL	RF
-			
1	M5593-4	. HOSE-BKI . . . . .	AR
2	S2357-1	. CLAMP-RATCHET . . . . .	01
3	MS35489-19	. GROMMET . . . . .	01
4	6214629-2	. VALVE ASSY-DOOR SEAL . . . . .	01
5	6314110-16	. BRACKET . . . . .	01
		ATTACHING PARTS	
6	MS27039-1-07	. SCREW . . . . .	03
7	MS21047L3	. NUTPLATE . . . . .	03
		—*—	
8	6314110-13	. STRIKE BLOCK . . . . .	01
9	AN832-5D	. UNION . . . . .	01
10	AN924-5D	. NUT . . . . .	01
11	MS35333-44	. LOCK WASHER . . . . .	01
12	6514100-24	. VALVE ACTUATOR BOLT . . . . .	01
13	AN315-3R	. NUT . . . . .	01
14	AN911-1D	. NIPPLE . . . . .	01
15	259A1PP	. CHECK VALVE . . . . . V91816	01
16	AS4854W01	. ELBOW . . . . .	01
17	AS5194D0402	. ADAPTER . . . . .	02
18	6314110-26	. TUBE ASSY . . . . .	01
19	MS21919WDG4	. CLAMP . . . . .	01
		ATTACHING PARTS	
20	MS27039-1-25	. SCREW . . . . .	01
21	NAS43DD3-72FC	. SPACER . . . . .	01
-	NAS43DD3-72N	. SPACER-ALT FOR NAS43DD3-72FC . . . . .	01
23	MS21044N3	. NUT . . . . .	01
		—*—	
24	6514100-7	. TEE . . . . .	01
25	NAS1564D6-4	. REDUCER . . . . .	01
26	AN818-6	. NUT . . . . .	01
27	NAS1612-4	. O-RING . . . . .	03
28	AN938D4	. TEE . . . . .	01
29	AN924-4D	. NUT . . . . .	02
30	P18M30	. PRESSURE SWITCH . . . . . V14314	01
31	AN807-4D	. ADAPTER . . . . .	01
32	AN735-7	. CLAMP . . . . .	01
		ATTACHING PARTS	
33	MS27039-1-06	. SCREW . . . . .	01
34	MS21043-3	. NUT . . . . .	01
		—*—	
35	6314110-5	. TUBE ASSY . . . . .	01
36	6314110-24	. TUBE ASSY . . . . .	01
37	6614051-29	. PARTICULATE TRAP ASSY . . . . .	01
38	6314110-27	. TUBE ASSY . . . . .	01
39	MS21919WDG6	. CLAMP . . . . .	04
40	MS21919WDG4	. CLAMP . . . . .	01
		ATTACHING PARTS	
41	MS27039-1-07	. SCREW . . . . .	01
42	MS21043-3	. NUT . . . . .	01
		—*—	
43	S138-2	. BRACKET . . . . .	04
44	S138-1	. BRACKET . . . . .	01
45	AS5174D0606	. UNION . . . . .	02
46	MS28778-6	. O-RING . . . . .	02
47	6314110-10	. TUBE ASSY . . . . .	01
48	6314110-11	. ELBOW . . . . .	01
49	6314530-25	. NOMEX PAD . . . . .	01
50	MS3367-1-0	. STRAP . . . . .	02
51	AS5174D0602	. REDUCER . . . . .	01
52	6314110-9	. TUBE ASSY . . . . .	01

- ITEM NOT ILLUSTRATED

CESSNA®  
**MODEL 525 (SERIALS -0685 AND -0800 AND ON)**  
 ILLUSTRATED PARTS CATALOG

A88406



**DETAIL A**

PNEUMATIC SYSTEM - DOOR SEAL  
 FIGURE 03 (SHEET 2)

6310T1168  
 A6314T1870

CESSNA®  
**MODEL 525 (SERIALS -0685 AND -0800 AND ON)**  
 ILLUSTRATED PARTS CATALOG

FIG ITEM	PART NUMBER	NOMENCLATURE	UNITS
			PER ASSY
03			
75	6314110-20	. TUBE ASSY . . . . .	01
76	AS5174D0606	. UNION . . . . .	04
77	AN938-6D	. TEE . . . . .	01
78	6314007-1	. RESTRICTOR FITTING ASSY. . . . .	01
79	AN832-6D	. UNION . . . . .	01
80	MS28778-6	. O-RING . . . . .	05
81	250-215-6	. SEAL . . . . . V83259	01
82	AN6289D6	. NUT . . . . .	01
83	6314110-15	. TUBE ASSY . . . . .	01
84	AS5194D0202	. ADAPTER . . . . .	01
85		. AIR DISTRIBUTION SYSTEM-OVERHEAD REFER TO 21-22-00 FIGURE 01 . . . . .	RF
86	6314110-2	. TUBE ASSY . . . . .	01
87	NAS1564D10-6	. REDUCER . . . . .	01
88	AN818-10D	. NUT . . . . .	01
89	S3278C10	. O-RING . . . . .	01
90	AN921-10D	. ELBOW . . . . .	01
91	AS5178W10	. NUT . . . . .	01
92	AN806-D10	. PLUG . . . . .	01
93	6314110-25	. TUBE ASSY . . . . .	01
94	AN938-6D	. TEE . . . . .	01
95	AS5174D0602	. REDUCER . . . . .	01
96	6314110-22	. TUBE ASSY . . . . .	01
97		. AIR DISTRIBUTION SYSTEM-UNDERFLOOR FWD REFER TO 21-20-01 FIGURE 02. . . . .	RF

- ITEM NOT ILLUSTRATED





**CHAPTER**

**38**

**WATER/WASTE**



CESSNA®  
**MODEL 525 (SERIALS -0685 AND -0800 AND ON)**  
ILLUSTRATED PARTS CATALOG

<b>CHAPTER SECTION SUBJECT</b>		<b>NUMBER OF PAGES</b>	<b>DATE</b>
38 - TITLE			
38 - LIST OF EFFECTIVE PAGES			
38 - RECORD OF TEMPORARY REVISIONS			
38 - TABLE OF CONTENTS			
38-30-00	Figure 01	6	Dec 1/2017
38-31-00	Figure 01	2	Nov 1/2013





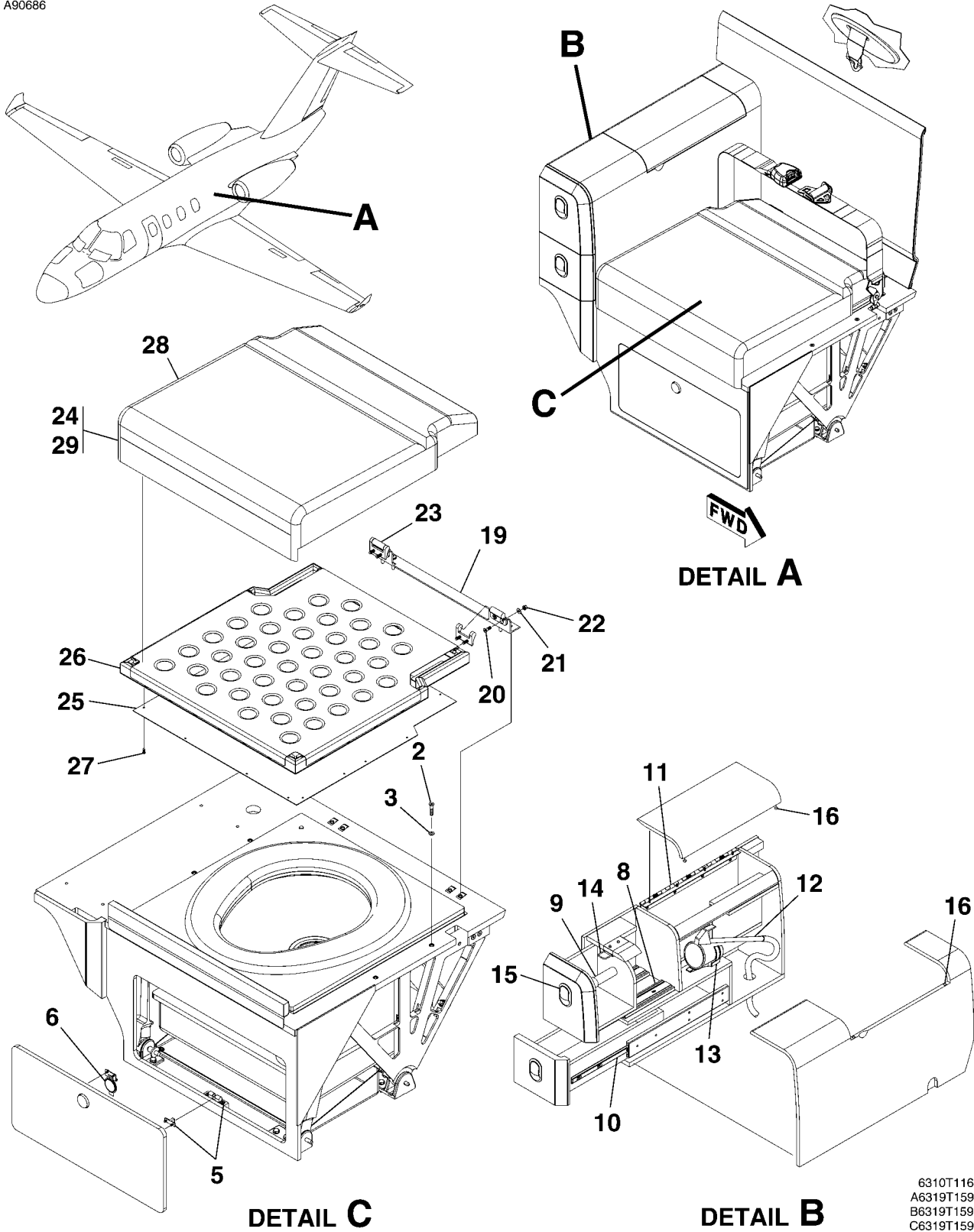


CESSNA®  
**MODEL 525 (SERIALS -0685 AND -0800 AND ON)**  
ILLUSTRATED PARTS CATALOG

<u>SUBJECT</u>	CHAPTER	<u>FIGURE</u>	EFFECTIVITY	
	<u>SECTION</u>		<u>START</u>	<u>END</u>
	<u>SUBJECT</u>			
TOILET INSTALLATION - FLUSHING LH BELTED	38-30-00	01		
REFRESHMENT CENTER OVERBOARD DRAIN	38-31-00	01		

CESSNA®  
**MODEL 525 (SERIALS -0685 AND -0800 AND ON)**  
 ILLUSTRATED PARTS CATALOG

A90686



**DETAIL C**

**DETAIL B**

TOILET INSTALLATION - FLUSHING LH BELTED  
 FIGURE 01 (SHEET 1)

6310T1168  
 A6319T1593  
 B6319T1593  
 C6319T1593



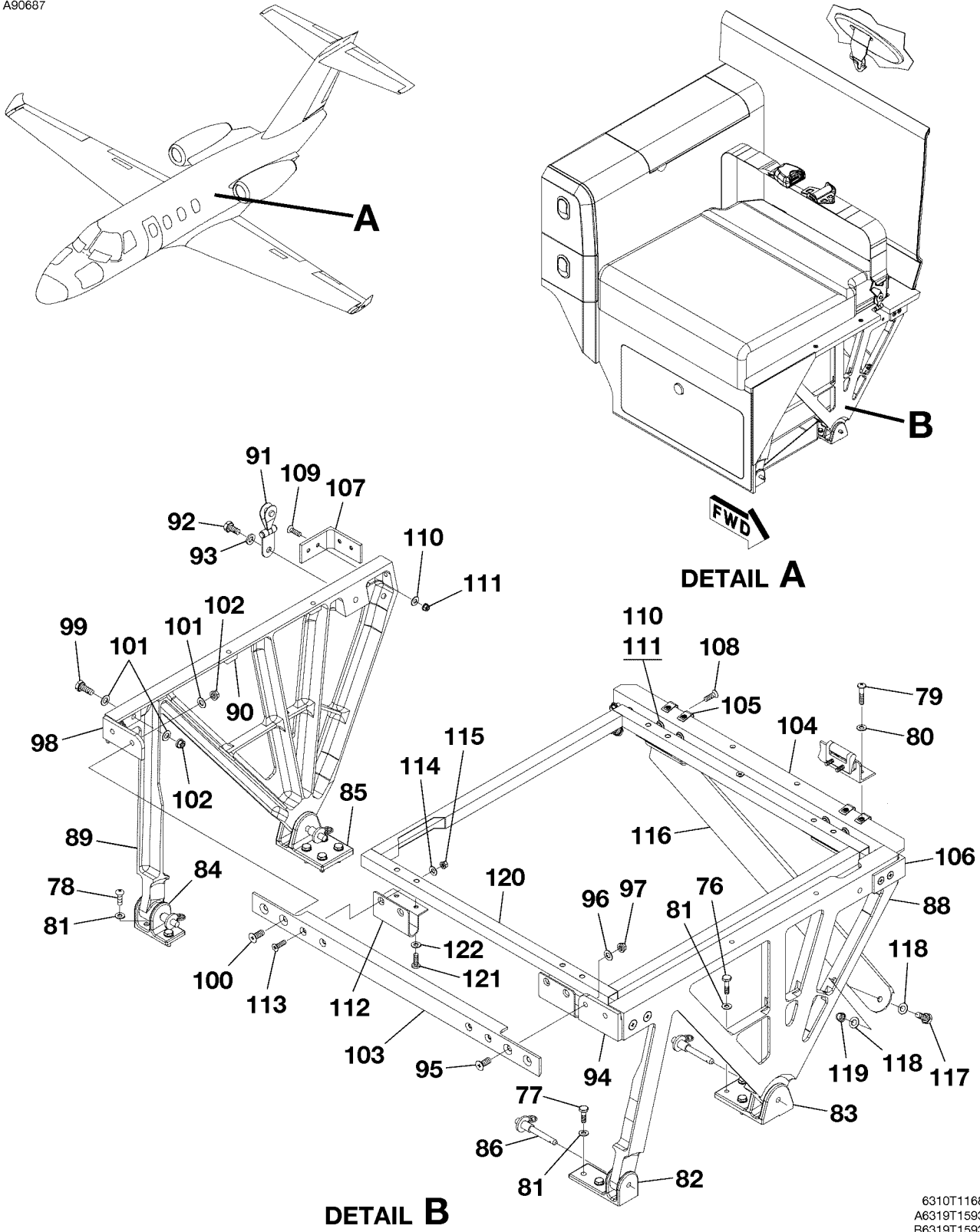
CESSNA®  
**MODEL 525 (SERIALS -0685 AND -0800 AND ON)**  
 ILLUSTRATED PARTS CATALOG

FIG ITEM	PART NUMBER	1 2 3 4 5 6 7	NOMENCLATURE	UNITS PER ASSY
01			TOILET INSTALLATION - FLUSHING LH BELTED	RF
- 1	4799509-1		. CABINET ASSY-LH TOILET . . . . .	01
			ATTACHING PARTS	
2	MS24694-S56		. SCREW . . . . .	04
3	NAS1149F0332P		. WASHER . . . . .	04
			—*—	
- 4	4799509-2		. . CABINET BASE . . . . .	01
5	MKK240R		. . . DOUBLE BALL CATCH . . . . . V62139	05
6	81296-5		. . . . . BUTTON LATCH FSO 13308-1 . . . . . V4W953	NP
- 6A	13308-1		. . . . . BUTTON LATCH FOR SPARES ONLY . . . . . V4W953	01 R
- 7	4799509-3		. . CABINET ARMREST . . . . .	01 R
8	A5210-6P		. . . SLIDE ASSY . . . . . V52607	02 R
9	1359C		. . . TOILET ROLLER . . . . . V75345	01 R
10	A5210-12P		. . . SLIDE ASSY . . . . . V52607	02 R
11	MS20001-4-1200		. . . HINGE . . . . .	01 R
12	WM203		. . . HORN . . . . . V13029	01 R
13	MS22025-1		. . . BRACKET . . . . .	01 R
14	6319520-14		. . . STRIKER ASSY . . . . .	02 R
15	SAM196-4		. . . LATCH . . . . . V31845	02 R
16	99K31.01		. . . CIRCULAR MAGNET . . . . . VLVTL	04 R
- 17	4711904-1		. TOILET LID ASSY-BELTED . . . . .	01 R
- 18	4717141-12		. . HINGE MOUNT ASSY . . . . .	01 R
19	4717141-13		. . . ANGLE . . . . .	01 R
			ATTACHING PARTS	
20	MS24694-S5		. . . SCREW . . . . .	04 R
21	NAS1149FN832P		. . . WASHER . . . . .	04 R
22	MS21042-08		. . . NUT . . . . .	04 R
			—*—	
23	4511601-4		. . . PLATED HINGE . . . . .	02 R
24	4711904-5		. . UPHOLSTERY ASSY . . . . .	01 R
25	4711107-53		. . . SEAT CLOSEOUT . . . . .	01 R
26	4711904-2		. . . LID FRAME ASSY . . . . .	01 R
			ATTACHING PARTS	
27	CM3657-1		. . . SCREW . . . . .	16 R
			—*—	
28	6319501-76		. . . I.D. TAG . . . . .	01 R
29	4711904-6		. . . PAD ASSY . . . . .	01 R

- ITEM NOT ILLUSTRATED

CESSNA®  
**MODEL 525 (SERIALS -0685 AND -0800 AND ON)**  
 ILLUSTRATED PARTS CATALOG

A90687



TOILET INSTALLATION - FLUSHING LH BELTED  
 FIGURE 01 (SHEET 2)

6310T1168  
 A6319T1593  
 B6319T1593

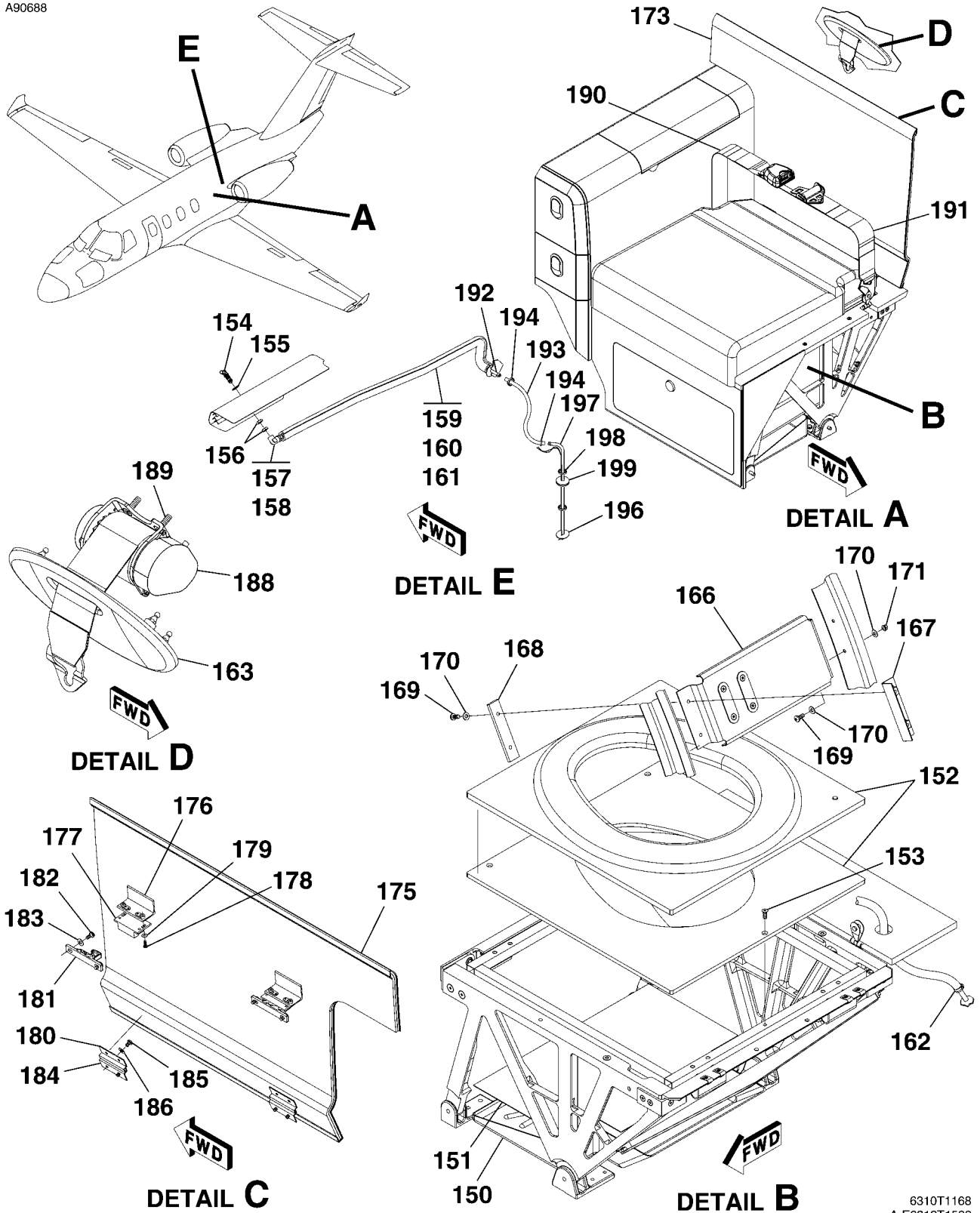
CESSNA®  
**MODEL 525 (SERIALS -0685 AND -0800 AND ON)**  
 ILLUSTRATED PARTS CATALOG

FIG ITEM	PART NUMBER	NOMENCLATURE	UNITS
			PER ASSY
		1 2 3 4 5 6 7	
01			
- 75	4711672-17	. TOILET FRAME ASSY-LH . . . . .	01
		. ATTACHING PARTS . . . . .	
76	AN3-6A	. BOLT . . . . .	08
77	AN3-5A	. BOLT . . . . .	03
78	MS27039-1-10	. SCREW . . . . .	01
79	MS27039-1-18	. SCREW . . . . .	04
80	NAS1149F0316P	. WASHER . . . . .	04
81	NAS1149F0332P	. WASHER . . . . .	12
		—*—	
82	4711672-12	. . . FOOT-FWD INBOARD . . . . .	01
83	4711672-16	. . . FOOT-FWD OUTBOARD . . . . .	01
84	4711672-11	. . . FOOT-AFT INBOARD . . . . .	01
85	4711672-15	. . . FOOT-AFT OUTBOARD . . . . .	01
		. ATTACHING PARTS . . . . .	
86	MS17984C413	. . . PIN . . . . .	01
		—*—	
- 87	4711672-1	. . . FRAME ASSY . . . . .	01
88	4711672-4	. . . FRAME-FWD . . . . .	01
89	4711672-5	. . . FRAME-AFT . . . . .	01
90	MS21061L3	. . . NUTPLATE . . . . .	04
91	41713-10	. . . FITTING ASSY-SEAT BELT . . . . .	02
		. ATTACHING PARTS . . . . .	
92	AN4-4	. . . BOLT . . . . .	01
93	NAS1149F0463P	. . . WASHER . . . . .	01
		—*—	
94	4711672-8	. . . BRACKET-FWD INBOARD FRAME . . . . .	01
		. ATTACHING PARTS . . . . .	
95	MS24693-S295	. . . SCREW . . . . .	04
96	NAS1149F0432P	. . . WASHER . . . . .	04
97	MS21042L4	. . . NUT . . . . .	04
		—*—	
98	4711672-7	. . . BRACKET-AFT INBOARD FRAME . . . . .	01
		. ATTACHING PARTS . . . . .	
99	AN4-5	. . . BOLT . . . . .	02
100	MS24693-S295	. . . SCREW . . . . .	02
101	NAS1149F0432P	. . . WASHER . . . . .	06
102	MS21042L4	. . . NUT . . . . .	04
		—*—	
103	4711672-2	. . . FRAME-INBOARD . . . . .	01
104	4711672-3	. . . FRAME-OUTBOARD . . . . .	01
105	S1477-3	. . . NUT . . . . .	04
106	4711672-10	. . . BRACKET-FWD OUTBOARD FRAME . . . . .	01
107	4711672-9	. . . BRACKET-AFT OUTBOARD FRAME . . . . .	01
		. ATTACHING PARTS . . . . .	
108	MS24693-S274	. . . SCREW . . . . .	01
109	MS24693-S273	. . . SCREW . . . . .	03
110	NAS1149F0332P	. . . WASHER . . . . .	04
111	MS21042L3	. . . NUT . . . . .	04
		—*—	
112	4711107-57	. . . BRACKET . . . . .	04
		. ATTACHING PARTS . . . . .	
113	MS24693-S273	. . . SCREW . . . . .	02
114	NAS1149F0332P	. . . WASHER . . . . .	02
115	MS21042L3	. . . NUT . . . . .	02
		—*—	
116	4711672-18	. . . CROSS BRACE . . . . .	01
		. ATTACHING PARTS . . . . .	
117	AN4-5	. . . BOLT . . . . .	02
118	NAS1149F0432P	. . . WASHER . . . . .	02
119	MS21042L4	. . . NUT . . . . .	02
		—*—	
120	4711107-3	. . . TOILET BASE ASSY . . . . .	01
		. ATTACHING PARTS . . . . .	
121	MS27039-1-09	. . . SCREW . . . . .	08
122	NAS1149F0332P	. . . WASHER . . . . .	08
		—*—	

- ITEM NOT ILLUSTRATED

CESSNA®  
**MODEL 525 (SERIALS -0685 AND -0800 AND ON)**  
 ILLUSTRATED PARTS CATALOG

A90688



TOILET INSTALLATION - FLUSHING LH BELTED  
 FIGURE 01 (SHEET 3)

6310T1168  
 A-E6319T1593

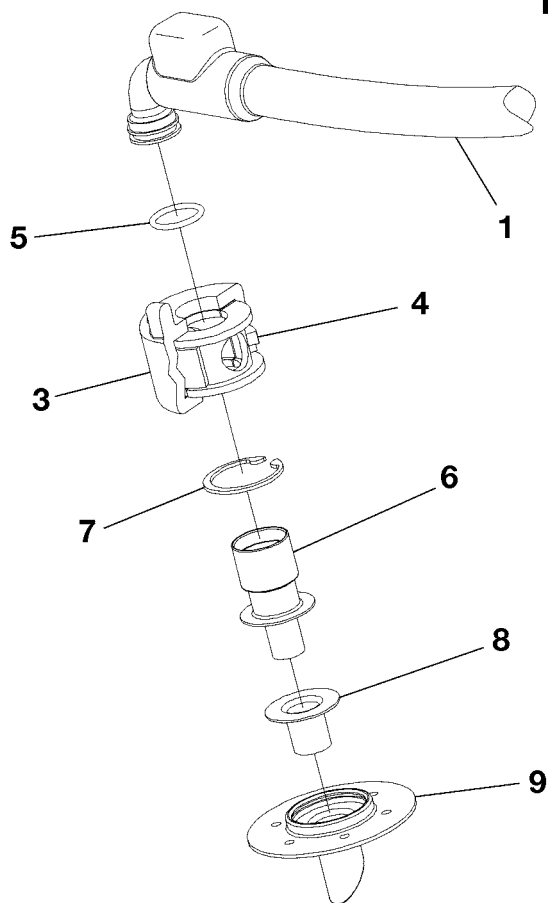
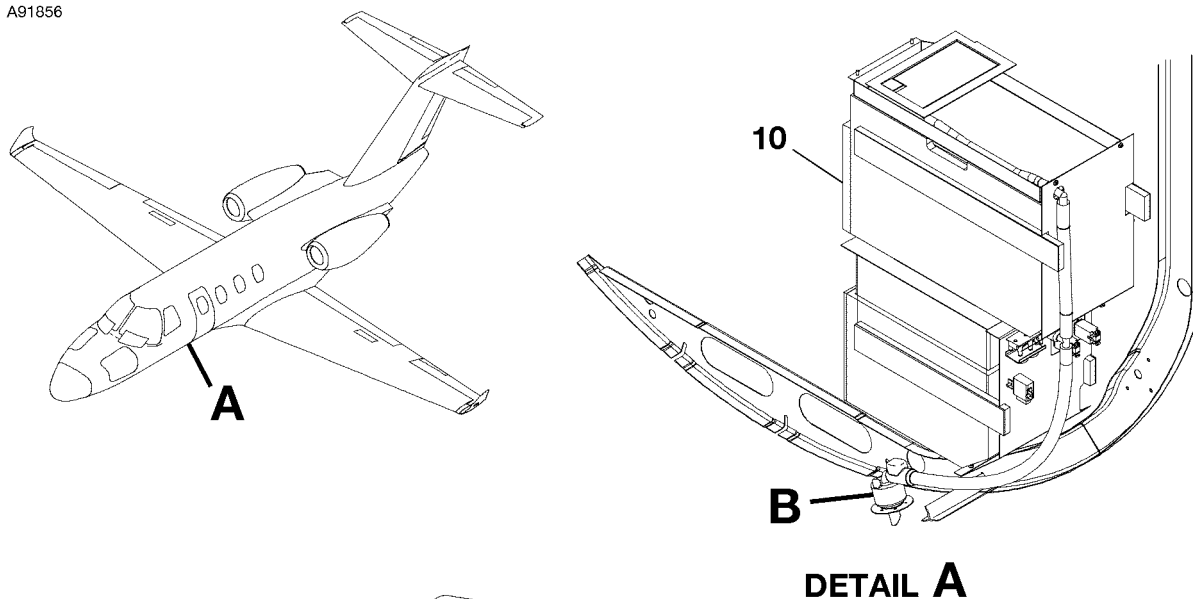
CESSNA®  
**MODEL 525 (SERIALS -0685 AND -0800 AND ON)**  
 ILLUSTRATED PARTS CATALOG

FIG ITEM	PART NUMBER	NOMENCLATURE	UNITS	
			PER	ASSY
01				
150	6319059-3	. TRAY . . . . .		01
151	6319059-4	. PAD . . . . .		01
152	17010-042	. FLUSHING TOILET-LH . . . . . V29780		01
		ATTACHING PARTS		
153	MS24694-S50	. SCREW . . . . .		03
		—*—		
154	AN838-6D	. ELBOW . . . . .		01
155	NAS1149D0963K	. WASHER . . . . .		04
156	AN924-6D	. NUT . . . . .		02
157	AN939D6	. ELBOW . . . . .		01
158	AN841-6D	. ADAPTER . . . . .		01
159	S2548-6-47.00	. HOSE . . . . .		01
160	6319161-3	. INSULATION . . . . .		01
161	MS3367-1-9	. STRAP . . . . .		13
162	S3811-4N	. TIE STRAP . . . . .		01 R
163	4717284-4	. RESTRAINT COVER ASSY . . . . .		01 R
- 164	4717284-6	. INSERT BOSS . . . . .		04 R
- 165	IF116-447-5-495	. STUD . . . . . V84992		04 R
166	4711968-2	. INTERCOSTAL ASSY FSO 4717138-7 . . . . .	0685 0685	NP R
			0800 0948	
- 166A	4717138-7	. INTERCOSTAL ASSY . . . . .	0949 & ON	01 R
167	4717138-3	. BRACKET ASSY . . . . .		01 R
168	4790282-4	. SHIM . . . . .	0913 & ON	01 R
		ATTACHING PARTS		
169	MS27039-1-07	. SCREW . . . . .	0685 0685	04 R
			0800 0912	
- 169A	MS27039-1-07	. SCREW . . . . .	0913 & ON	02 R
- 169B	MS27039-1-10	. SCREW . . . . .	0913 & ON	02 R
170	NAS1149F0332P	. WASHER . . . . .		06 R
171	MS21042-3	. NUT . . . . .		02 R
		—*—		
- 172	MS21060L3	. NUTPLATE . . . . .		02 R
173	4711903-2	. CLOSEOUT UPHOLSTERY ASSY-LH TOILET . . . . .		01 R
- 174	4711903-3	. CLOSEOUT ASSY . . . . .		01 R
175	4711903-6	. CLOSEOUT PANEL . . . . .		01 R
176	4711628-4	. ANGLE ASSY . . . . .		02 R
177	C3-12-03	. CATCH-GRABBER DOOR . . . . . V94222		02 R
178	MS35206-215	. SCREW . . . . .		04 R
179	NAS1149FN416P	. WASHER . . . . .		04 R
180	4717085-14	. CLOSEOUT RETAINER . . . . .		02 R
181	C3-77	. KEEPER-GRABBER DOOR . . . . .		02 R
		ATTACHING PARTS		
182	MS35206-243	. SCREW . . . . .		02 R
183	NAS1149F0316P	. WASHER . . . . .		02 R
		—*—		
184	4717085-14	. CLOSEOUT RETAINER . . . . .		02 R
		ATTACHING PARTS		
185	MS35206-241	. SCREW . . . . .		02 R
186	NAS1149F0316P	. WASHER . . . . .		02 R
		—*—		
- 187	9919118-4	. RESTRAINT ASSY-TOILET ASSY . . . . .		01 R
188	9919118-11	. REEL ASSY . . . . .		01 R
		ATTACHING PARTS		
189	MS24693-S273	. SCREW FSO MS2469-S49 . . . . .	0685 0685	NP R
			0800 0948	
- 189A	MS2469-S49	. SCREW . . . . .	0949 & ON	04 R
		—*—		
190	9919118-14	. LAP BUCKLE HALF . . . . .		01 R
191	9919118-8	. LAP BELT HALF . . . . .		01 R
192	4711104-2	. DRAIN FITTING ASSY . . . . .		01 R
193	41032-6-0280	. DRAIN HOSE . . . . . V24984		01 R
194	S3811-4N	. TIE STRAP . . . . .		10 R
- 195	4711104-1	. DRAIN ASSY . . . . .		01 R
196	105881	. VENT HEATER . . . . . V85932		01 R
197	4711104-3	. DRAIN WELD ASSY . . . . .		01 R
198	CM2679-1	. TIE STRAP . . . . .		02 R
199	MS35489-13	. GROMMET . . . . .		01 R

- ITEM NOT ILLUSTRATED

CESSNA®  
MODEL 525 (SERIALS -0685 AND -0800 AND ON)  
ILLUSTRATED PARTS CATALOG

A91856



**DETAIL B**

REFRESHMENT CENTER OVERBOARD DRAIN  
FIGURE 01 (SHEET 1)

6310T1168  
A6319T1489  
B6319T1489

CESSNA®  
**MODEL 525 (SERIALS -0685 AND -0800 AND ON)**  
 ILLUSTRATED PARTS CATALOG

FIG ITEM	PART NUMBER	NOMENCLATURE	UNITS
			PER ASSY
01			
-		REFRESHMENT CENTER OVERBOARD DRAIN	RF
1	79734-006	. DRAIN HOSE-HEATED . . . . . V24984	01
- 2	S2209-5	. TIE . . . . .	AR
3	HC002-08	. HEATED CUFF . . . . . V24984	01
4	14C02-08C	. CLAMSHELL ASSY . . . . . V24984	01
5	AS3582-015	. O-RING . . . . .	01
6	4717408-3	. HEATED INNER FITTING . . . . .	01
7	MS16625-1100	. RETAINER RING . . . . .	01
8	4717408-4	. INSULATOR BUSHING . . . . .	01
9	4717408-5	. OUTER DRAIN SHROUD . . . . .	01
10		. REFRESHMENT CENTER-REFER TO 25-30-00 FIGURE 01 . . . . .	RF

- ITEM NOT ILLUSTRATED





**CHAPTER**

**44**

**CABIN SYSTEMS**



CESSNA®  
**MODEL 525 (SERIALS -0685 AND -0800 AND ON)**  
ILLUSTRATED PARTS CATALOG

<b>CHAPTER SECTION SUBJECT</b>	<b>NUMBER OF PAGES</b>	<b>DATE</b>
44 - TITLE		
44 - LIST OF EFFECTIVE PAGES		
44 - RECORD OF TEMPORARY REVISIONS		
44 - TABLE OF CONTENTS		
44-20-00	Figure 01 2	Dec 1/2017





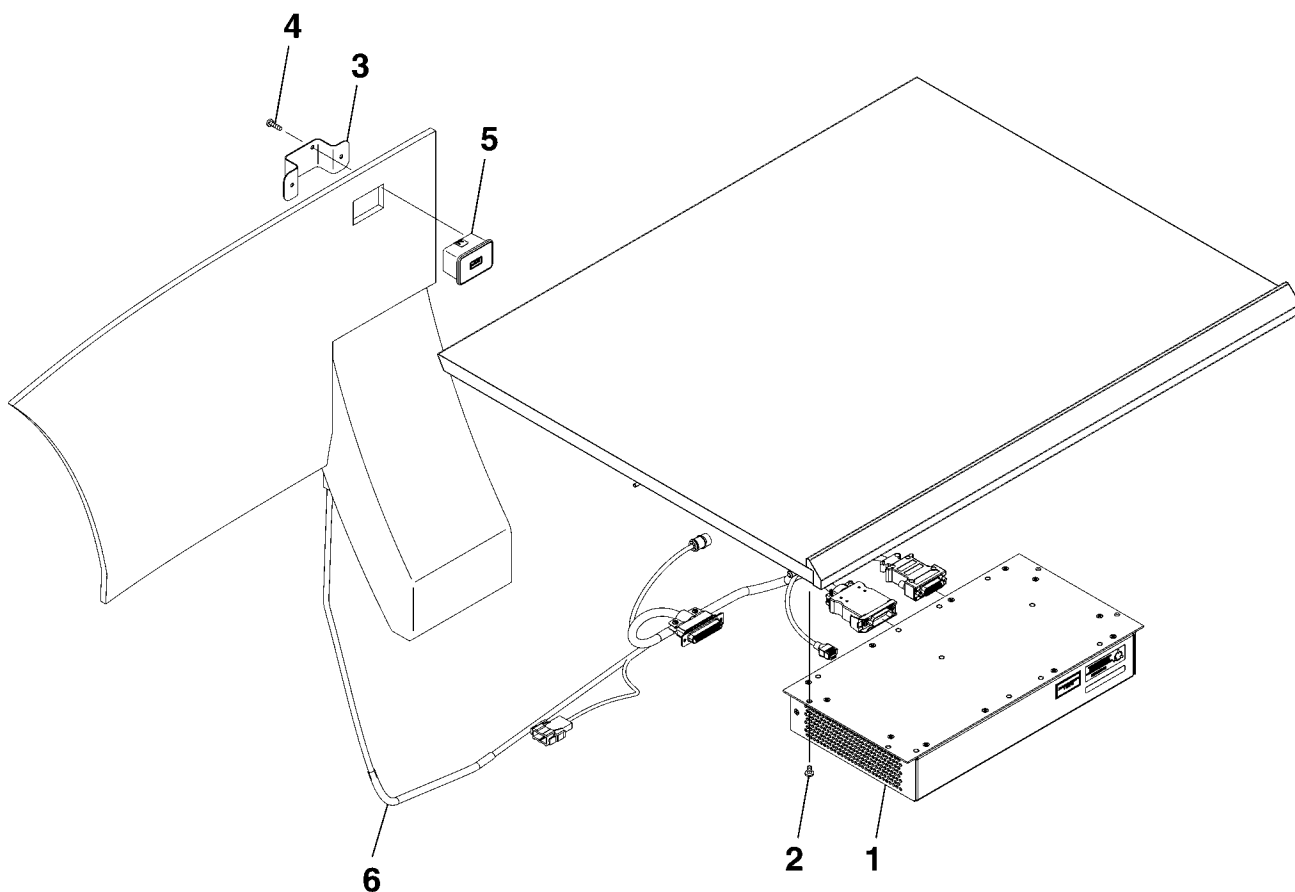
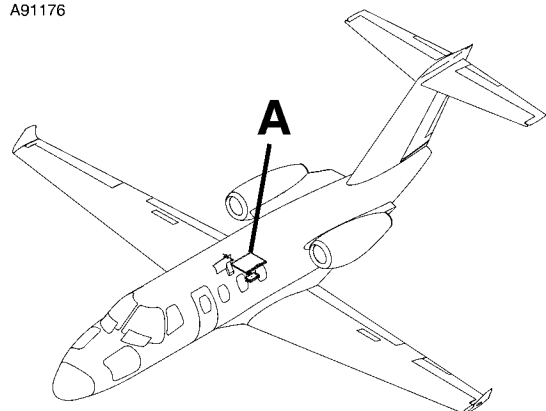


CESSNA®  
**MODEL 525 (SERIALS -0685 AND -0800 AND ON)**  
ILLUSTRATED PARTS CATALOG

<u>SUBJECT</u>	<u>CHAPTER SECTION SUBJECT</u>	<u>FIGURE</u>	<u>EFFECTIVITY</u>	
			<u>START</u>	<u>END</u>
CLAIRITY SYSTEM	44-20-00	01		

CESSNA®  
MODEL 525 (SERIALS -0685 AND -0800 AND ON)  
ILLUSTRATED PARTS CATALOG

A91176



**DETAIL A**

CLAIRITY SYSTEM  
FIGURE 01 (SHEET 1)

6310T1168  
A6318T1984



CESSNA®  
**MODEL 525 (SERIALS -0685 AND -0800 AND ON)**  
 ILLUSTRATED PARTS CATALOG

FIG ITEM	PART NUMBER	NOMENCLATURE	UNITS PER ASSY	
			1 2 3 4 5 6 7	
01				
-		CLAIRITY SYSTEM		RF
1	DMS250-01	. WIRELESS MEDIA SERVER . . . . . V0GZF3		01
		. ATTACHING PARTS		
2	MS27039-0804	. SCREW . . . . .		04
		. . . . .		
3	4711954-4	. USB BRACKET . . . . .		01
		. ATTACHING PARTS		
4	MS35206-230	. SCREW . . . . .		02
		. . . . .		
5	MSP100-01	. MEDIA SHARE PORT . . . . . V0GZF3		01
6	4708103-1	. HARNESS ASSY-CLAIRITY LT . . . . .	0800	0980 01 R
- 6A	4708103-2	. HARNESS ASSY-CLAIRITY LT . . . . .	0981	& ON 01 R
- 7	4778203-1	. . WIRE ASSY-MEDIA SERVER . . . . .	0800	0980 01 R
- 7A	4778203-2	. . WIRE ASSY-MEDIA SERVER . . . . .	0981	& ON 01 R

- ITEM NOT ILLUSTRATED



**CHAPTER**

**52**

**DOORS**



CESSNA®  
**MODEL 525 (SERIALS -0685 AND -0800 AND ON)**  
ILLUSTRATED PARTS CATALOG

<b>CHAPTER SECTION SUBJECT</b>		<b>NUMBER OF PAGES</b>	<b>DATE</b>
52 - TITLE			
52 - LIST OF EFFECTIVE PAGES			
52 - RECORD OF TEMPORARY REVISIONS			
52 - TABLE OF CONTENTS			
52-10-00	Figure 01	4	Jun 1/2018
52-10-00	Figure 02	8	Nov 1/2013
52-10-00	Figure 03	4	Nov 1/2013
52-10-01	Figure 01	6	Dec 1/2015
52-10-01	Figure 02	2	Nov 1/2016
52-20-00	Figure 01	4	Nov 1/2013
52-30-00	Figure 01	4	Nov 1/2013
52-30-00	Figure 02	4	Nov 1/2013
52-40-00	Figure 01	2	Nov 1/2013
52-60-00	Figure 01	4	Nov 1/2013
52-60-00	Figure 02	4	Dec 1/2015
52-80-00	Figure 01	4	Dec 1/2017







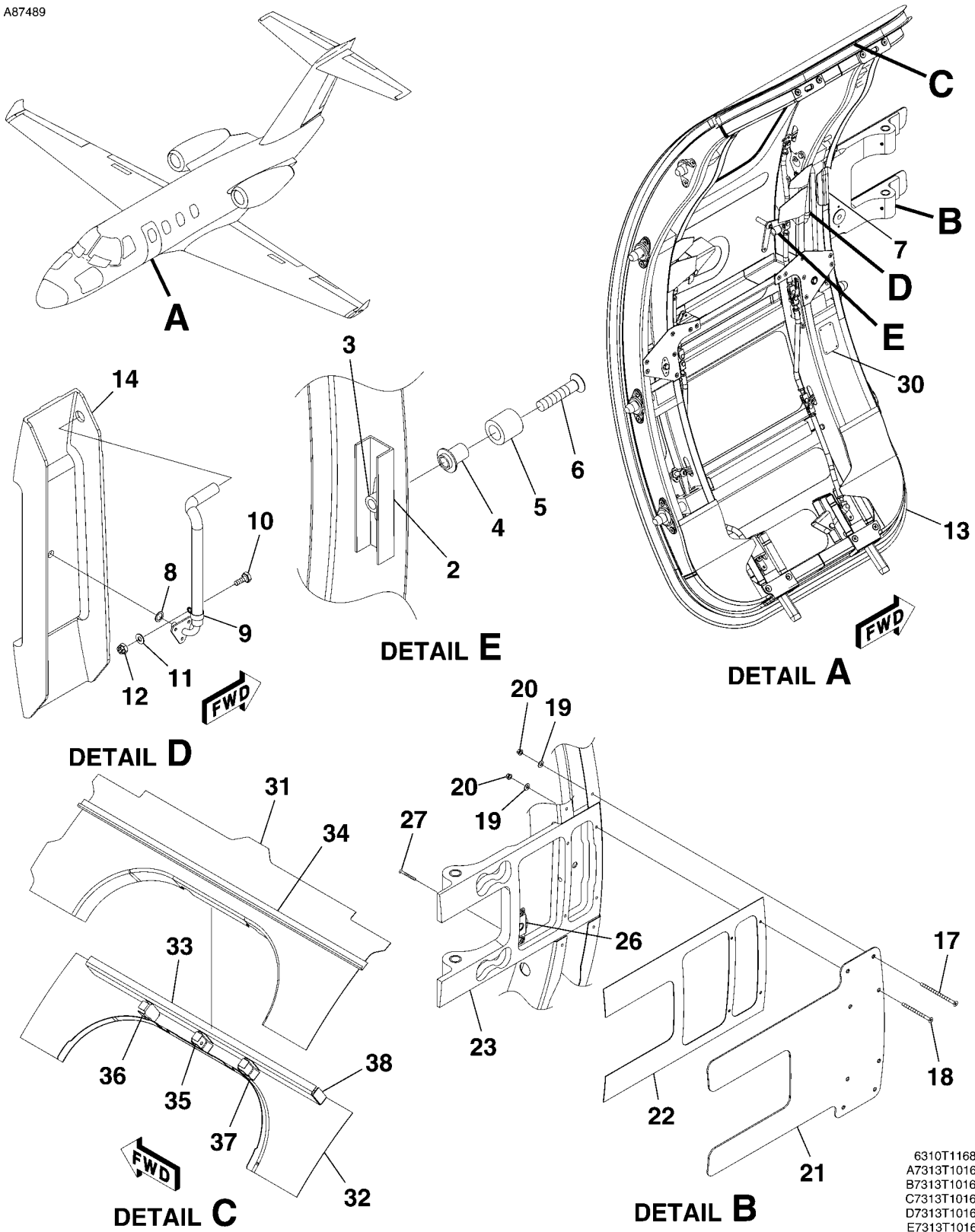


CESSNA®  
**MODEL 525 (SERIALS -0685 AND -0800 AND ON)**  
 ILLUSTRATED PARTS CATALOG

<u>SUBJECT</u>	<u>CHAPTER SECTION SUBJECT</u>	<u>FIGURE</u>	<u>EFFECTIVITY</u>	
			<u>START</u>	<u>END</u>
CABIN DOOR INSTALLATION	52-10-00	01		
CABIN DOOR STRUCTURE	52-10-00	02		
CABIN DOOR ATTACHMENTS	52-10-00	03		
CABIN DOOR LATCH MECHANISM	52-10-01	01		
CABIN DOOR HANDLE	52-10-01	02		
ESCAPE HATCH INSTALLATION	52-20-00	01		
NOSE BAGGAGE DOOR	52-30-00	01		
TAILCONE BAGGAGE DOOR	52-30-00	02		
HYDRAULIC AND EXTERNAL POWER DOORS	52-40-00	01		
CABIN DOOR STEPS	52-60-00	01		
ENTRY LADDER INSTALLATION	52-60-00	02		
LANDING GEAR DOORS	52-80-00	01		

CESSNA®  
**MODEL 525 (SERIALS -0685 AND -0800 AND ON)**  
 ILLUSTRATED PARTS CATALOG

A87489



6310T1168  
 A7313T1016  
 B7313T1016  
 C7313T1016  
 D7313T1016  
 E7313T1016

CABIN DOOR INSTALLATION  
 FIGURE 01 (SHEET 1)

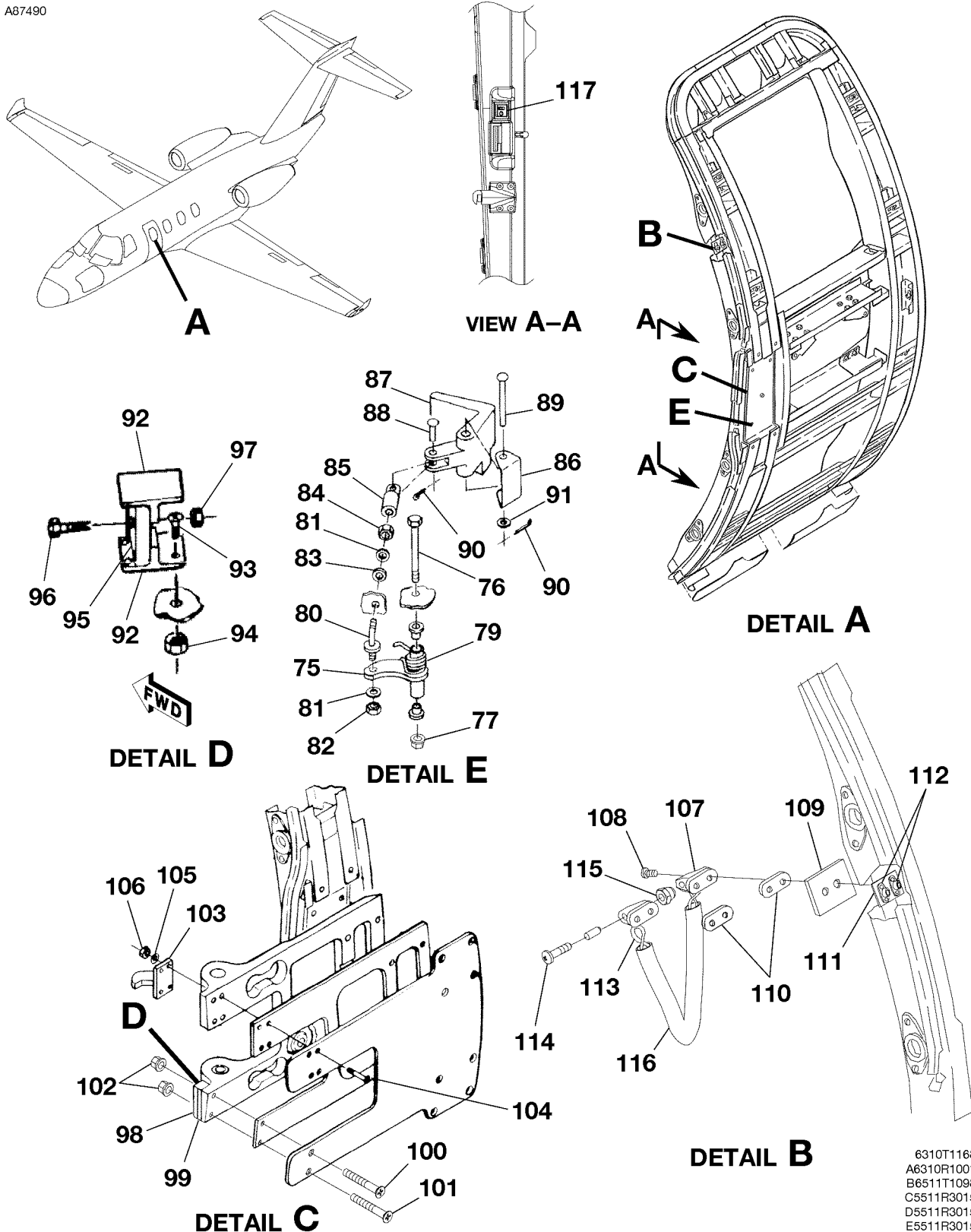
CESSNA®  
**MODEL 525 (SERIALS -0685 AND -0800 AND ON)**  
 ILLUSTRATED PARTS CATALOG

FIG ITEM	PART NUMBER	NOMENCLATURE	UNITS	
			PER	ASSY
01		CABIN DOOR INSTALLATION		RF
-				
- 1	6511690-11	. DOOR ASSY FSO 6511690-17 . . . . .	0800	0804 NP
- 1A	6511690-15	. DOOR ASSY FSO 6511690-17 . . . . .	0805	0829 NP
- 1B	6511690-16	. DOOR ASSY FSO 6511690-17 . . . . .	0830	0908 NP
- 1C	6511690-17	. DOOR ASSY . . . . .	0909	& ON 01
2	5511248-6	. STIFFENER-CABIN DOOR GUIDE . . . . .		01
3	MS21047L4	. NUTPLATE . . . . .		01
4	5511248-8	. BEARING . . . . .		01
5	5511248-4	. SPACER . . . . .		01
6	MS24694-S106	. SCREW . . . . .		01
7	9912075-4	. SEAL-DOOR INFLATABLE . . . . .		01
8	NAS1515D4L	. WASHER . . . . .		01
9	AN735-7	. CLAMP . . . . .		01
10	AN3-4A	. BOLT . . . . .		01
11	NAS1149F0332P	. WASHER . . . . .		01
12	MS21045L3	. NUT . . . . .		01
13		. CABIN DOOR STRUCTURE REFER TO 52-10-00 FIGURE 02 . . . . .		RF
14	5511234-6	. HINGE BOX ASSY-DOOR . . . . .		01
- 15	5511234-3	. CONNECTOR ASSY . . . . .		01
- 16	6511695-4	. HINGE ASSY-DOOR FSO 6511695-204 . . . . .		NP
- 16A	6511695-204	. HINGE ASSY-DOOR FOR SPARES ONLY . . . . .		01 R
		ATTACHING PARTS		
17	MS24694-S53	. SCREW . . . . .		04 R
18	MS24694-S64	. SCREW . . . . .		04 R
19	NAS1149D0332K	. WASHER . . . . .		08 R
20	MS21042L3	. NUT . . . . .		08 R
		—*—		
21	6511696-2	. HINGE COVER . . . . .		01 R
22	6511696-1	. HINGE PLATE . . . . .		01 R
23	6511695-5	. HINGE AND BEARING ASSY FSO 6511695-200 . . . . .		01 R
- 23A	6511695-200	. HINGE AND BEARING ASSY FOR SPARES ONLY . . . . .		AR R
- 24	S1997-8G12	. BEARING-NEEDLE . . . . .		04 R
- 25	MS35489-41	. GROMMET . . . . .		01 R
26	6511695-3	. GROMMET PLATE ASSY . . . . .		01 R
		ATTACHING PARTS		
27	MS24693-S29	. SCREW . . . . .		02 R
		—*—		
- 28	6511696-4	. GROMMET PLATE . . . . .		01 R
- 29	MS21069-06	. NUTPLATE . . . . .		02 R
30	MS27253-1	. PLATE IDENTIFICATION FSO S2674-3 . . . . .		NPR
- 30A	S2674-3	. PLATE IDENTIFICATION FOR SPARES ONLY . . . . .		01 R
31	6311092-5	. LINTEL-OUTBOARD . . . . .		01 R
32	6311092-6	. LINTEL-INBOARD . . . . .		01 R
33	6311092-4	. CHANNEL . . . . .		01 R
34	5211181-9	. RAIN CHANNEL . . . . .		01 R
35	5511240-6	. BRACE-CENTER . . . . .		01 R
36	5511240-7	. BRACE-FWD . . . . .		01 R
37	5511240-8	. BRACE-AFT . . . . .		01 R
38	5511240-5	. CLIP . . . . .		02 R

- ITEM NOT ILLUSTRATED

CESSNA®  
**MODEL 525 (SERIALS -0685 AND -0800 AND ON)**  
 ILLUSTRATED PARTS CATALOG

A87490



CABIN DOOR INSTALLATION  
 FIGURE 01 (SHEET 2)

6310T1168  
 A6310R1001  
 B6511T1098  
 C5511R3015  
 D5511R3015  
 E5511R3015

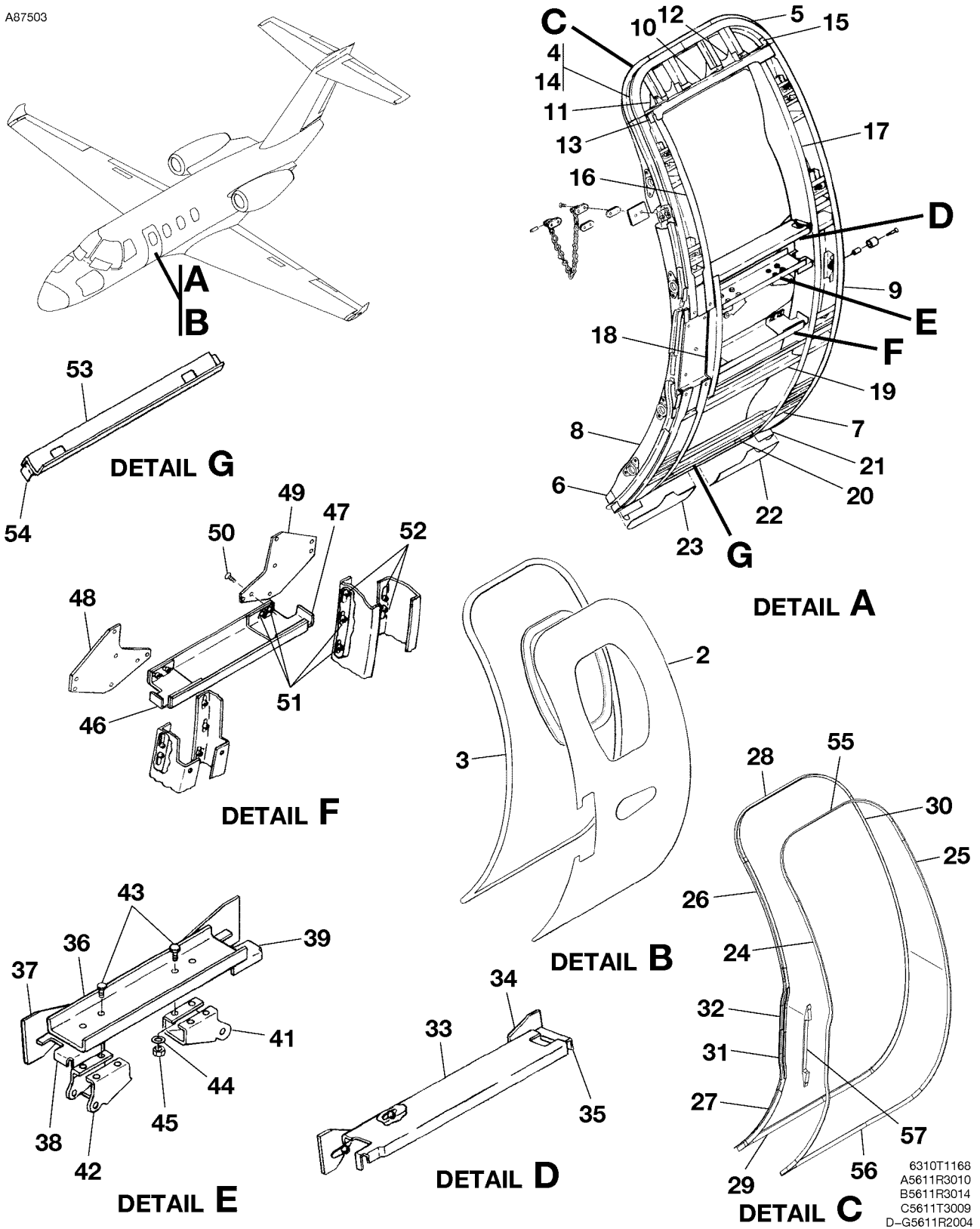
CESSNA®  
**MODEL 525 (SERIALS -0685 AND -0800 AND ON)**  
 ILLUSTRATED PARTS CATALOG

FIG ITEM	PART NUMBER	NOMENCLATURE	UNITS PER ASSY
01			
75	5511243-25	. LATCH ASSY . . . . . ATTACHING PARTS	01
76	AN4-27A	. BOLT . . . . .	01
77	MS21042L4	. NUT . . . . . —*—	01
- 78	S1004-2A	. BEARING . . . . .	02
79	5511243-17	. SPRING . . . . .	01
80	5511243-12	. HOOK ASSY . . . . . ATTACHING PARTS	01
81	NAS1149F0332P	. WASHER . . . . .	02
82	MS21042L3	. NUT . . . . .	01
83	5511243-28	. WASHER . . . . .	01
84	MS25082-12	. NUT . . . . . —*—	01
85	5511243-11	. EYE LUG . . . . .	01
86	5511243-14	. BRACKET . . . . .	01
87	5511243-21	. LEVER . . . . . ATTACHING PARTS	01
88	MS20392-2C19	. PIN . . . . .	01
89	MS20392-2C55	. PIN . . . . .	01
90	MS24665-151	. COTTER PIN . . . . .	02
91	NAS1149F0332P	. WASHER . . . . . —*—	01
92	5511243-6	. TEE . . . . . ATTACHING PARTS	02
93	AN3-3A	. BOLT . . . . .	01
94	MS21042L3	. NUT . . . . . —*—	01
95	5511243-20	. BLOCK . . . . .	01
96	NAS428K4A16	. BOLT . . . . .	01
97	AN315-4R	. NUT . . . . .	01
98	5511243-22	. BUMPER . . . . .	01
99	5511243-23	. BUMPER PAD . . . . . ATTACHING PARTS	01
100	MS24694-S15	. SCREW . . . . .	01
101	MS24694-S13	. SCREW . . . . .	01
102	MS21042L08	. NUT . . . . . —*—	02
103	5511243-27	. LUG . . . . . ATTACHING PARTS	01
104	MS24694-S10	. SCREW . . . . .	04
105	NAS1149FN816P	. WASHER . . . . .	06
106	MS21042L08	. NUT . . . . . —*—	04
107	5511246-10	. LUG-ASSIST CHAIN . . . . .	02
108	MS24694-S59	. SCREW . . . . .	02
109	5511246-3	. PLATE . . . . .	01
110	5511246-8	. INSULATOR . . . . .	02
111	5511246-4	. SHIM . . . . .	01
112	MS21069L3	. NUTPLATE . . . . .	04
113	5511246-6	. CHAIN-DOOR ASSIST . . . . . ATTACHING PARTS	01
114	MS27039-1-12	. SCREW . . . . .	02
115	S3922S4	. NUT . . . . . —*—	02
116	5514706-96	. COVER ASSY-DOOR ASSIST CHAIN (STANDARD) . . . . .	01
- 116A	4711198-2	. COVER ASSY-DOOR ASSIST CHAIN (EASA) REFER TO NOTE 1 . . . . .	01 R
117	101001-81	. SWITCH PANEL-ENTRY . . . . . VMCCI	01

NOTE 1—USED ON LUXEMBOURG, DANISH, ISLE OF MAN, BRITISH, PORTUGUESE, GERMAN, ITALIAN, SERBIA, FRENCH, POLISH, ROMANIAN, SWISS, AND CZECH CERTIFIED AIRPLANES. R

CESSNA®  
**MODEL 525 (SERIALS -0685 AND -0800 AND ON)**  
 ILLUSTRATED PARTS CATALOG

A87503



CABIN DOOR STRUCTURE  
 FIGURE 02 (SHEET 1)

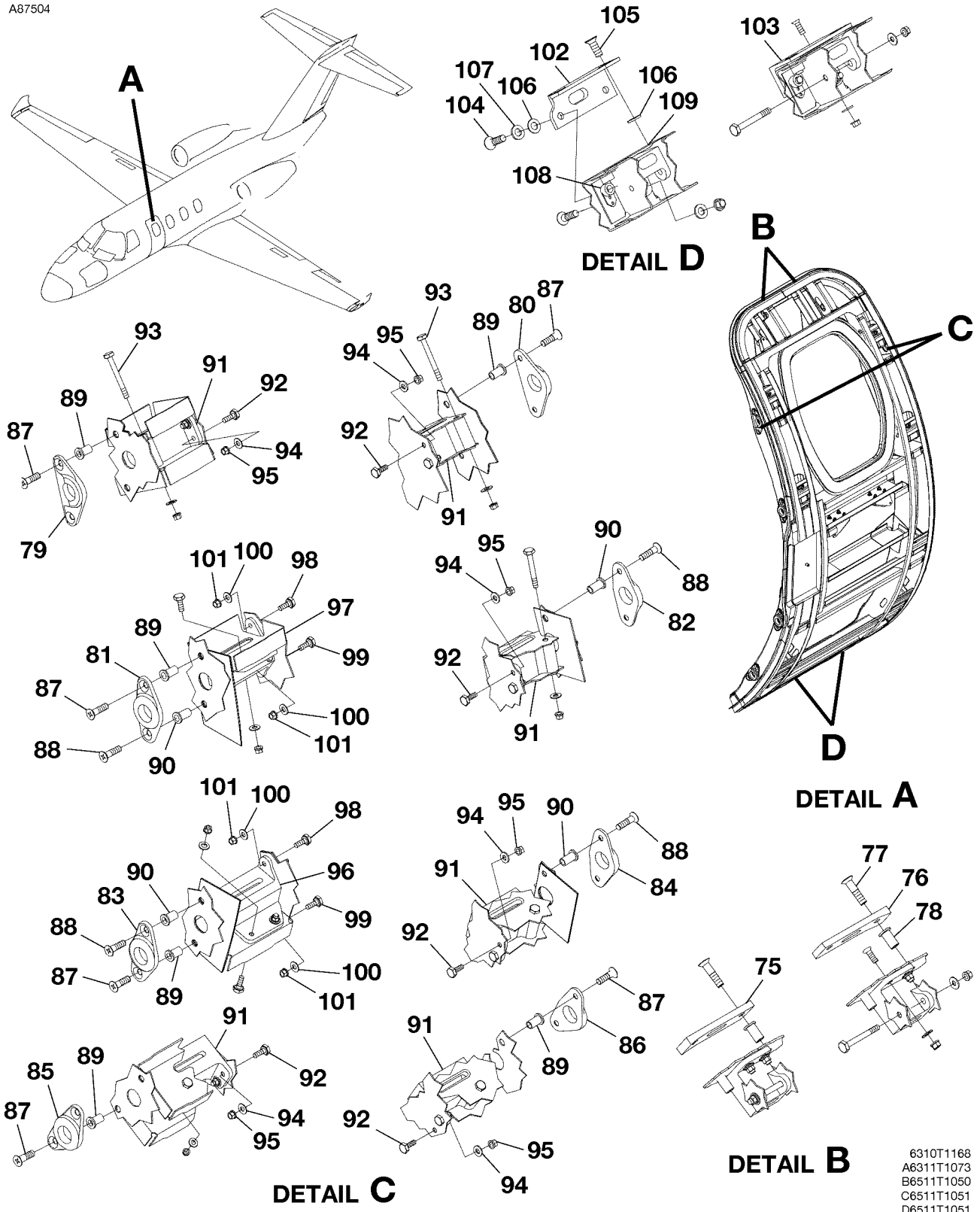
6310T1168  
 A5611R3010  
 B5611R3014  
 C5611T3009  
 D-G5611R2004

CESSNA®  
**MODEL 525 (SERIALS -0685 AND -0800 AND ON)**  
 ILLUSTRATED PARTS CATALOG

FIG ITEM	PART NUMBER	NOMENCLATURE	UNITS	
			PER	ASSY
02		CABIN DOOR STRUCTURE		RF
- 1	6511691-10	. DOOR STRUCTURE ASSY . . . . .	0800	0804
- 1A	6511691-12	. DOOR STRUCTURE ASSY . . . . .	0805	& ON
2	6511697-1	. DOOR SKIN BOND ASSY . . . . .		01
3	5511230-96	. SEAL-DOOR SECONDARY . . . . .		01
4	6511693-4	. FRAME-UPR FWD CORNER . . . . .		01
5	6511693-3	. FRAME-URP AFT CORNER . . . . .		01
6	6511693-9	. FRAME-LWR FWD CORNER . . . . .		01
7	6511693-8	. FRAME-LWR AFT CORNER . . . . .		01
8	6511693-2	. DOOR FRAME-FWD . . . . .		01
9	6511693-1	. DOOR FRAME-AFT . . . . .		01
10	6511692-9	. CHANNEL . . . . .		01
11	6511700-1	. DOUBLER . . . . .		01
12	6511700-2	. DOUBLER . . . . .		01
13	6511699-7	. CLIP . . . . .		02
14	6511699-43	. ANGLE-FWD . . . . .		01
15	6511699-44	. ANGLE-AFT . . . . .		01
16	6511693-6	. BRACE . . . . .		01
17	6511693-5	. BRACE . . . . .		01
18	6511692-22	. ANGLE . . . . .		01
19	6511692-14	. STIFFENER . . . . .		01
20	6511692-15	. STIFFENER . . . . .		01
21	6511699-6	. CLIP-FWD . . . . .		01
22	6511700-16	. GUSSET-AFT . . . . .		01
23	6511700-17	. GUSSET-FWD . . . . .		01
24	6511700-35	. NYLON SHIM-FWD . . . . .		01
25	6511700-26	. NYLON SHIM-AFT . . . . .		01
26	6511700-18	. ANGLE . . . . .		01
27	6511700-22	. ANGLE . . . . .		01
28	6511700-23	. ANGLE . . . . .		01
29	6511700-24	. ANGLE . . . . .		01
30	6511700-21	. ANGLE . . . . .		01
31	6511700-34	. CHANNEL . . . . .		01
32	6511700-33	. CHANNEL . . . . .		01
33	6511692-10	. CHANNEL . . . . .		01
34	6511700-3	. GUSSET . . . . .		02
35	6511692-11	. ANGLE . . . . .		01
36	6511692-2	. CHANNEL . . . . .		02
37	6511700-4	. DOUBLER . . . . .		02
38	6511692-13	. CHANNEL . . . . .		01
39	6511692-12	. CHANNEL . . . . .		01
- 40	6511692-25	. CHANNEL ASSY . . . . .		01
41	6511692-24	. CHANNEL . . . . .		01
42	6511692-5	. CHANNEL . . . . .		01
		ATTACHING PARTS		
43	AN3-3A	. BOLT . . . . .		04
44	NAS1149F0332P	. WASHER . . . . .		04
45	MS21042L3	. NUT . . . . .		04
		—*—		
46	6511692-17	. CHANNEL . . . . .		01
47	6511692-16	. CHANNEL . . . . .		01
48	6511700-5	. GUSSET . . . . .		01
49	6511700-6	. GUSSET . . . . .		01
		ATTACHING PARTS		
50	MS24694-S49	. SCREW . . . . .		07
51	MS21069L3	. NUTPLATE . . . . .		04
52	MS21072L3	. NUTPLATE . . . . .		03
		—*—		
53	6511692-6	. ZEE ASSY . . . . .		01
54	6511699-8	. ANGLE . . . . .		02
55	6511700-27	. NYLON SHIM-UPR . . . . .		AR
56	6511700-28	. NYLON SHIM-LWR . . . . .		AR
57	6511699-46	. BLOCK CHAIN-DOOR ASSIST . . . . .		01

CESSNA®  
**MODEL 525 (SERIALS -0685 AND -0800 AND ON)**  
 ILLUSTRATED PARTS CATALOG

A87504



CABIN DOOR STRUCTURE  
 FIGURE 02 (SHEET 2)

6310T1168  
 A6311T1073  
 B6511T1050  
 C6511T1051  
 D6511T1051

**DETAIL B**

**DETAIL C**

**DETAIL A**

**DETAIL D**

**B**

**C**

**D**

**A**

103

105

107

102

106

104

106

109

108

77  
76  
78

75



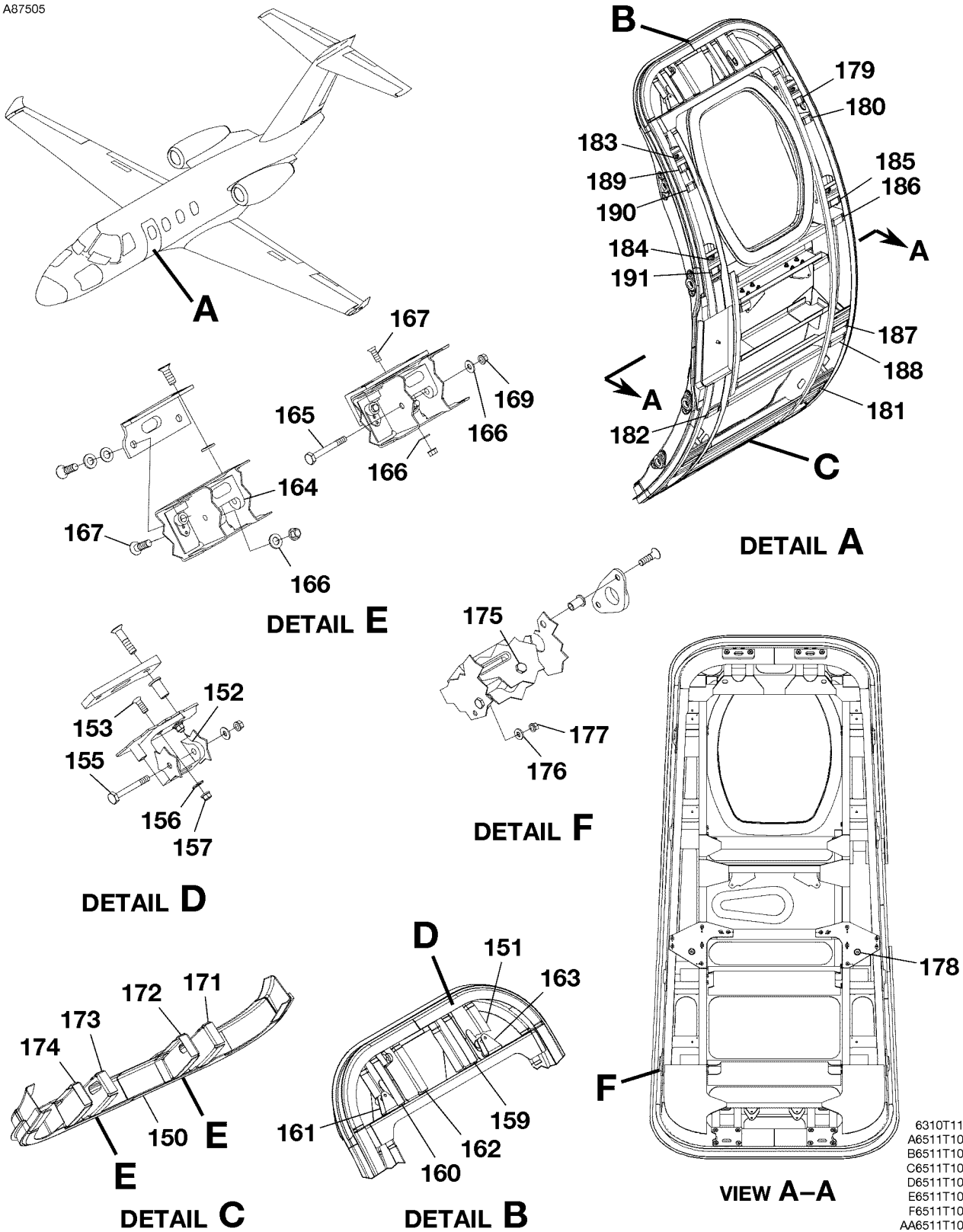
CESSNA®  
**MODEL 525 (SERIALS -0685 AND -0800 AND ON)**  
 ILLUSTRATED PARTS CATALOG

FIG ITEM	PART NUMBER	NOMENCLATURE	UNITS
			PER ASSY
		1 2 3 4 5 6 7	
02			
75	6511699-1	. . . STOP-LATCH PIN-FWD . . . . .	01
76	6511699-2	. . . STOP-LATCH PIN-AFT . . . . .	01
		ATTACHING PARTS	
77	MS24694-S103	. . . SCREW . . . . .	02
78	NAS1329H4K200L	. . . NUT . . . . .	02
		—*—	
79	5511232-491	. . . BEARING PLATE . . . . .	01
80	5511232-492	. . . BEARING PLATE . . . . .	01
81	5511232-494	. . . BEARING PLATE . . . . .	01
82	5511232-496	. . . BEARING PLATE . . . . .	01
83	5511232-493	. . . BEARING PLATE . . . . .	01
84	5511232-495	. . . BEARING PLATE . . . . .	01
85	5511232-497	. . . BEARING PLATE . . . . .	01
86	5511232-498	. . . BEARING PLATE . . . . .	01
		ATTACHING PARTS	
87	MS24694-S100	. . . SCREW . . . . .	12
88	MS24694-S101	. . . SCREW . . . . .	04
89	NAS1329H4K140L	. . . NUT . . . . .	10
90	NAS1329H4K200L	. . . NUT . . . . .	06
		—*—	
91	5511232-404	. . . FITTING-LATCH PIN . . . . .	06
		ATTACHING PARTS	
92	AN3-4A	. . . BOLT . . . . .	02
93	AN3-16A	. . . BOLT . . . . .	01
94	NAS1149F0332P	. . . WASHER . . . . .	02
95	MS21042L3	. . . NUT . . . . .	03
		—*—	
96	5511232-405	. . . FITTING-LATCH PIN . . . . .	01
97	5511232-406	. . . FITTING-LATCH PIN . . . . .	01
		ATTACHING PARTS	
98	AN3-4A	. . . BOLT . . . . .	01
99	AN3-5A	. . . BOLT . . . . .	01
100	NAS1149F0332P	. . . WASHER . . . . .	02
101	MS21042L3	. . . NUT . . . . .	02
		—*—	
102	6511699-3	. . . STOP-LATCH PIN-FWD . . . . .	01
103	6511699-4	. . . STOP-LATCH PIN-AFT . . . . .	01
		ATTACHING PARTS	
104	MS24694S100	. . . SCREW . . . . .	02
105	MS24694-S97	. . . SCREW . . . . .	02
106	NAS1149F0463P	. . . WASHER . . . . .	04
107	NAS1149F0432P	. . . WASHER . . . . .	02
108	MS21071L4	. . . NUTPLATE . . . . .	02
109	MS21073L4	. . . NUTPLATE . . . . .	02
		—*—	

- ITEM NOT ILLUSTRATED

CESSNA®  
**MODEL 525 (SERIALS -0685 AND -0800 AND ON)**  
 ILLUSTRATED PARTS CATALOG

A87505



6310T1168  
 A6511T1051  
 B6511T1051  
 C6511T1051  
 D6511T1051  
 E6511T1051  
 F6511T1051  
 AA6511T1051

CABIN DOOR STRUCTURE  
 FIGURE 02 (SHEET 3)

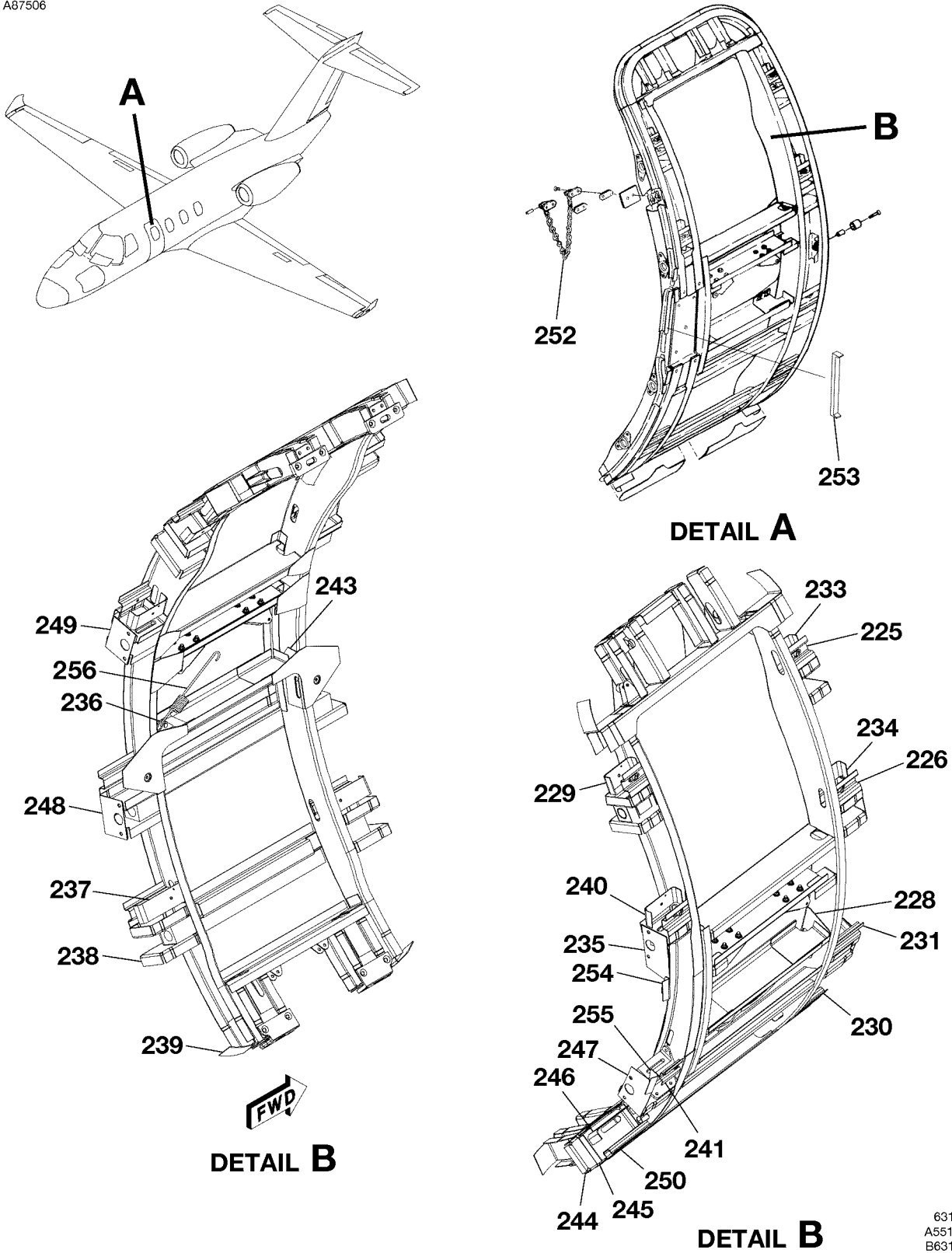
CESSNA®  
**MODEL 525 (SERIALS -0685 AND -0800 AND ON)**  
 ILLUSTRATED PARTS CATALOG

FIG ITEM	PART NUMBER	NOMENCLATURE	UNITS
			PER ASSY
		1 2 3 4 5 6 7	
02			
150	6511693-7	. . SPLICE . . . . .	02
151	6511694-23	. . CHANNEL . . . . .	01
152	5511232-113	. . PIN FITTING . . . . .	02
		ATTACHING PARTS	
153	MS24694-S51	. . SCREW . . . . .	02
- 154	AN509-10-9	. . SCREW-ALT FOR MS24694-S51 . . . . .	02
155	AN3-16A	. . BOLT . . . . .	01
156	NAS1149F0332P	. . WASHER . . . . .	03
157	MS21042L3	. . NUT . . . . .	03
- 158	NAS1291-3	. . NUT-ALT FOR MS21042L3 . . . . .	03
		—*—	
159	6511694-25	. . CHANNEL . . . . .	01
160	6511694-24	. . CHANNEL . . . . .	01
161	6511692-19	. . BRACKET . . . . .	01
162	6511694-26	. . CHANNEL . . . . .	01
163	6511692-18	. . BRACKET . . . . .	01
164	5511232-114	. . PIN FITTING . . . . .	02
		ATTACHING PARTS	
165	AN3-16A	. . BOLT . . . . .	01
166	NAS1149F0332P	. . WASHER . . . . .	03
167	MS24694-S52	. . SCREW . . . . .	02
- 168	AN509-10-10	. . SCREW-ALT FOR MS24694-S52 . . . . .	02
169	MS21042L3	. . NUT . . . . .	03
- 170	NAS1291-3	. . NUT-ALT FOR MS21042L3 . . . . .	02
		—*—	
171	6511694-3	. . CHANNEL . . . . .	01
172	6511694-1	. . CHANNEL . . . . .	01
173	6511694-2	. . CHANNEL . . . . .	01
174	6511694-4	. . CHANNEL . . . . .	01
175	AN3-15A	. . BOLT . . . . .	04
176	NAS1149F0332P	. . WASHER . . . . .	06
177	MS21042L3	. . NUT . . . . .	04
178	6511700-30	. . SPACER . . . . .	02
179	6511694-9	. . CHANNEL . . . . .	01
180	6511694-11	. . CHANNEL . . . . .	01
181	6511694-19	. . CHANNEL . . . . .	01
182	6511694-18	. . CHANNEL . . . . .	01
183	6511699-22	. . BRACKET ASSY . . . . .	01
184	6511699-24	. . BRACKET ASSY . . . . .	01
185	6511694-13	. . CHANNEL . . . . .	01
186	6511694-15	. . CHANNEL . . . . .	01
187	6511694-16	. . CHANNEL . . . . .	01
188	6511694-17	. . CHANNEL . . . . .	01
189	6511694-10	. . CHANNEL . . . . .	01
190	6511694-12	. . CHANNEL . . . . .	01
191	6511694-14	. . CHANNEL . . . . .	01

- ITEM NOT ILLUSTRATED

CESSNA®  
**MODEL 525 (SERIALS -0685 AND -0800 AND ON)**  
 ILLUSTRATED PARTS CATALOG

A87506



CABIN DOOR STRUCTURE  
 FIGURE 02 (SHEET 4)

6310T1168  
 A5511R3014  
 B6311T1213

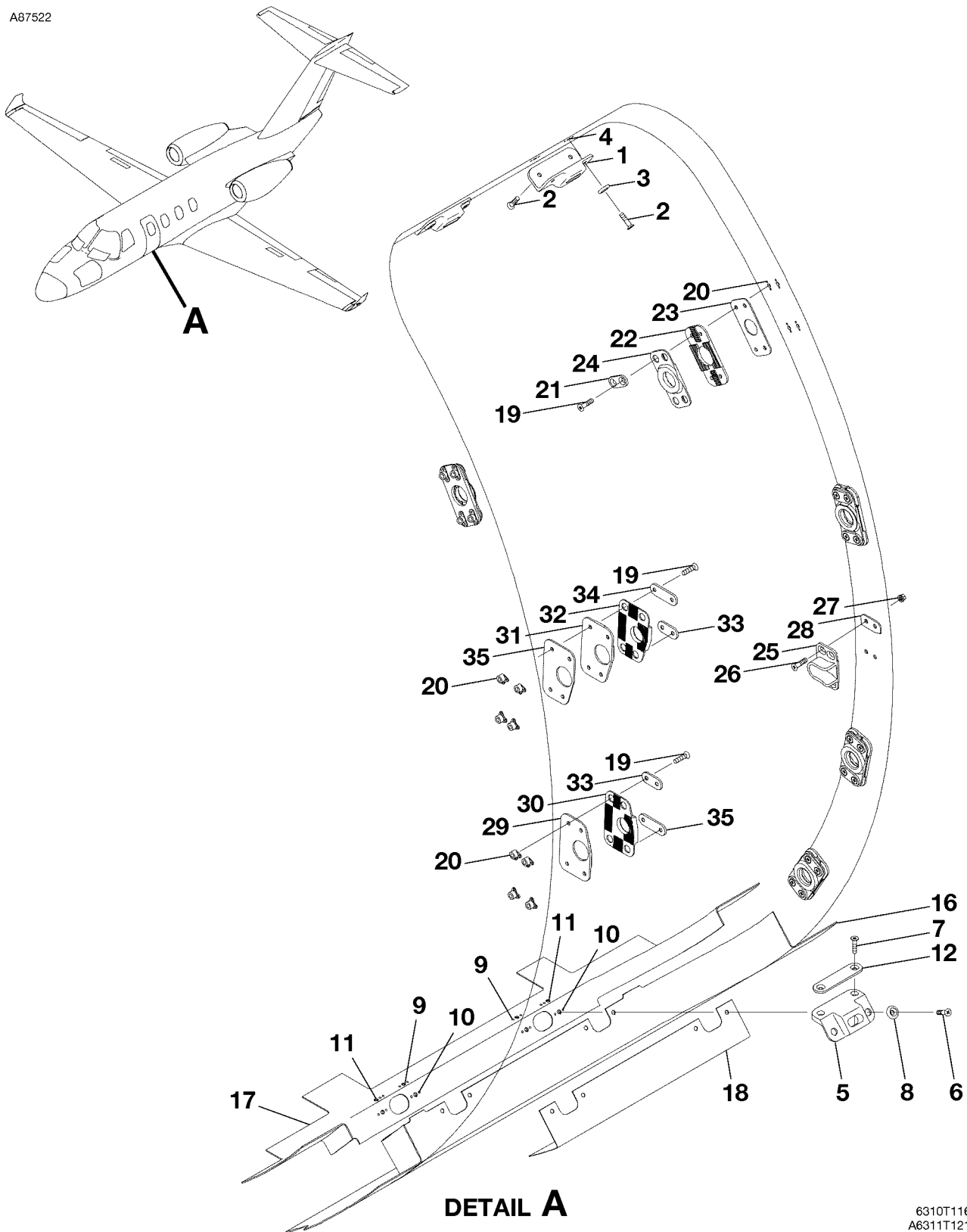
CESSNA®  
**MODEL 525 (SERIALS -0685 AND -0800 AND ON)**  
 ILLUSTRATED PARTS CATALOG

FIG ITEM	PART NUMBER	NOMENCLATURE	UNITS
			PER ASSY
		1 2 3 4 5 6 7	
02			
225	6511699-21	. . BRACKET ASSY . . . . .	01
226	6511699-23	. . BRACKET ASSY . . . . .	01
- 227	MS21047L3	. . NUTPLATE . . . . .	01
228	6511692-20	. . DOUBLER . . . . .	01
229	6511700-11	. . BRACKET . . . . .	01
230	6511699-25	. . BRACKET ASSY . . . . .	01
231	6511699-27	. . BRACKET ASSY . . . . .	01
- 232	MS21047L3	. . NUTPLATE . . . . .	01
233	6511700-12	. . BRACKET . . . . .	01
234	6511700-10	. . BRACKET . . . . .	01
235	6511699-12	. . DOUBLER . . . . .	01
236	6311142-3	. . CLEVIS SPRING-CABIN DOOR . . . . .	01
237	6511700-8	. . BRACKET . . . . .	01
238	6511694-21	. . CHANNEL . . . . .	01
239	6511699-41	. . CLIP-AFT . . . . .	01
240	6511700-9	. . BRACKET . . . . .	01
241	6511699-28	. . BRACKET ASSY . . . . .	01
- 242	MS21069L3	. . NUTPLATE . . . . .	01
243	6511692-21	. . DOUBLER . . . . .	01
244	6511694-22	. . CHANNEL . . . . .	01
245	6511694-20	. . CHANNEL . . . . .	01
246	6511700-7	. . BRACKET . . . . .	01
247	6511699-11	. . DOUBLER . . . . .	01
248	6511699-10	. . DOUBLER . . . . .	01
249	6511699-9	. . DOUBLER . . . . .	01
250	6511699-26	. . BRACKET ASSY . . . . .	01
- 251	MS21047L3	. . NUTPLATE . . . . .	01
252		. CHAIN-DOOR ASSIST REFER TO 52-10-00 FIGURE 01 . . . . .	RF
253	5511247-4	. SEAL-RAIN . . . . .	01
254	6511700-31	. ANGLE-UPR . . . . .	01
255	6511700-32	. ANGLE-LWR . . . . .	01
256	6311142-4	. SPRING-CABIN DOOR . . . . .	01

- ITEM NOT ILLUSTRATED

CESSNA®  
MODEL 525 (SERIALS -0685 AND -0800 AND ON)  
ILLUSTRATED PARTS CATALOG

A87522



**DETAIL A**

CABIN DOOR ATTACHMENTS  
FIGURE 03 (SHEET 1)

6310T1168  
A6311T1217

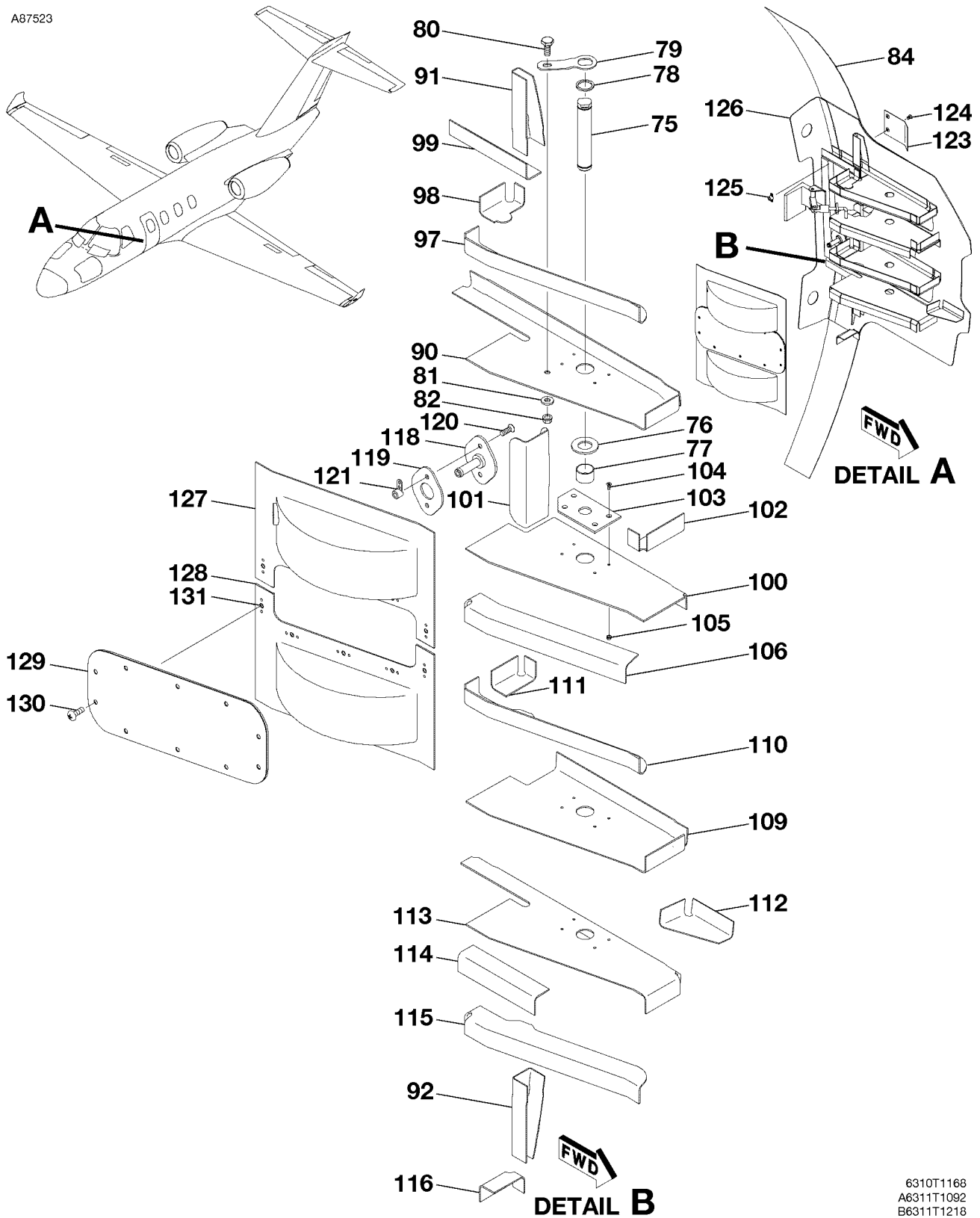
CESSNA®  
**MODEL 525 (SERIALS -0685 AND -0800 AND ON)**  
 ILLUSTRATED PARTS CATALOG

FIG ITEM	PART NUMBER	NOMENCLATURE	UNITS	
			PER ASSY	
03		CABIN DOOR ATTACHMENTS	RF	
-		. SOCKET-UPR . . . . .	02	
1	5511237-84	. ATTACHING PARTS		
2	NAS7203U6	. BOLT . . . . .	04	
3	5511237-93	. CLAMP WASHER . . . . .	02	
4	MS21069L3	. NUTPLATE . . . . .	04	
		—*—		
5	5511237-83	. SOCKET . . . . .	02	
		. ATTACHING PARTS		
6	NAS7203U6	. BOLT-LWR . . . . .	02	
7	MS24694-C54	. SCREW-UPR . . . . .	02	
8	5511237-93	. CLAMP WASHER . . . . .	02	
9	MS21069L3	. NUTPLATE-UPR . . . . .	AR	
10	MS21069L3	. NUTPLATE-LWR . . . . .	02	
11	MS21051L3	. NUTPLATE-UPR . . . . .	AR	
		—*—		
12	5511237-92	. CLAMP PLATE . . . . .	04	
-	13	5511237-45	. SHIM . . . . .	02
-	14	5511237-46	. SHIM . . . . .	AR
-	15	5511237-47	. SHIM . . . . .	AR
16	6311091-16	. THRESHOLD-OUTBD . . . . .	01	
17	6311091-22	. THRESHOLD-INBD . . . . .	01	
18		. ENTRY SHIELD-REFER TO 53-21-00 FIGURE 03 . . . . .	RF	
19	MS24694-C54	. SCREW . . . . .	32	
20	MS21073L3	. NUTPLATE . . . . .	08	
21	5511237-89	. CLAMP PLATE . . . . .	12	
22	6211346-15	. LATCH PLATE-SERRATED . . . . .	06	
23	5511237-58	. SPACER . . . . .	AR	
24	6211346-14	. SOCKET . . . . .	06	
25	5511248-5	. GUIDE . . . . .	01	
		. ATTACHING PARTS		
26	MS27039-1-09	. SCREW . . . . .	04	
27	NAS1329H3K80L	. NUT . . . . .	04	
		—*—		
28	5511248-7	. ANCHOR BLOCK . . . . .	02	
29	5511237-86	. SERRATED PLATE . . . . .	01	
30	5511237-88	. SOCKET . . . . .	01	
31	5511237-85	. SERRATED PLATE . . . . .	01	
32	5511237-87	. SOCKET . . . . .	01	
33	5511237-90	. CLAMP PLATE . . . . .	02	
34	5511237-91	. CLAMP PLATE . . . . .	02	
35	5511237-57	. SPACER . . . . .	AR	

- ITEM NOT ILLUSTRATED

CESSNA®  
**MODEL 525 (SERIALS -0685 AND -0800 AND ON)**  
 ILLUSTRATED PARTS CATALOG

A87523



CABIN DOOR ATTACHMENTS  
 FIGURE 03 (SHEET 2)

6310T1168  
 A6311T1092  
 B6311T1218



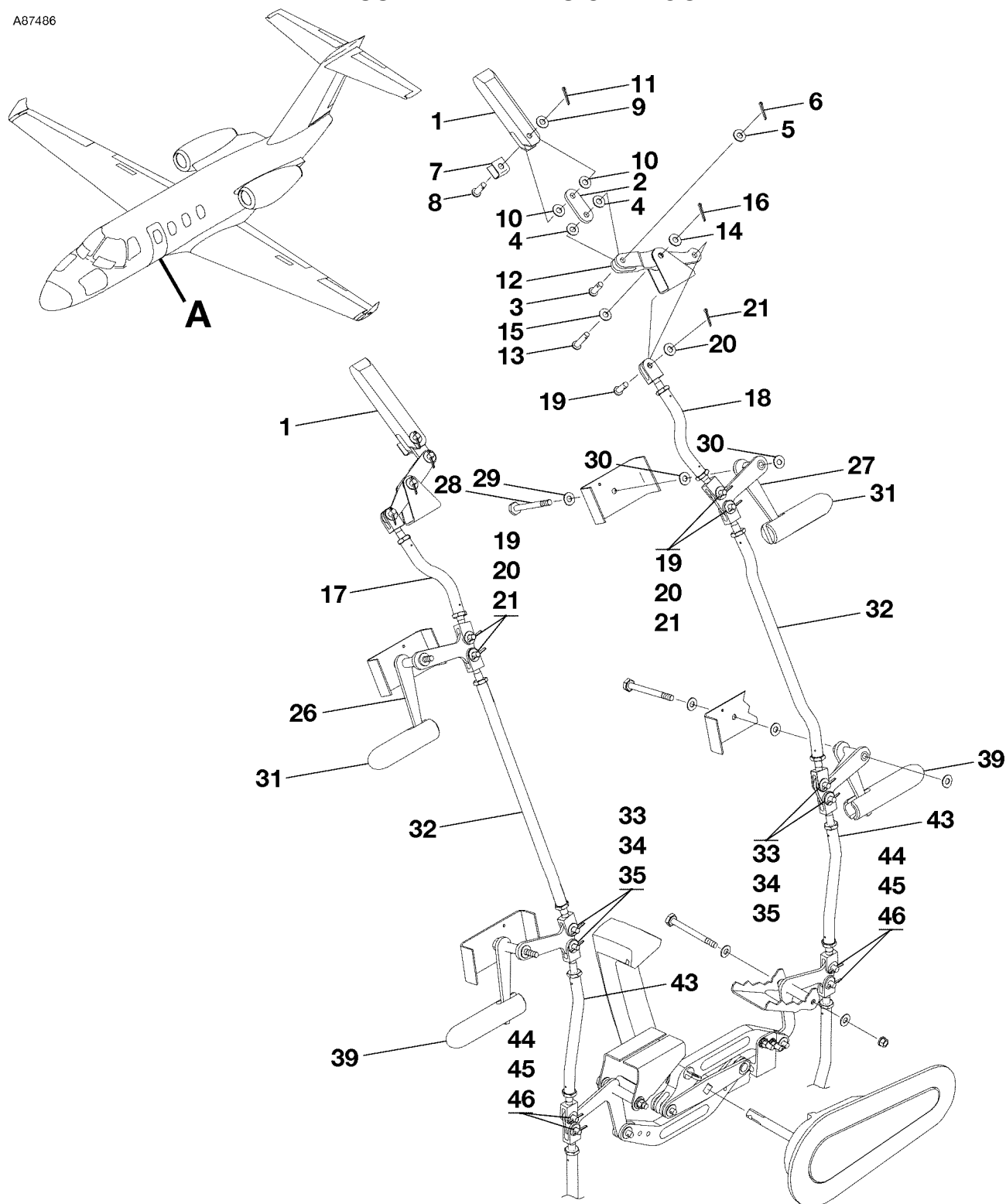
CESSNA®  
**MODEL 525 (SERIALS -0685 AND -0800 AND ON)**  
 ILLUSTRATED PARTS CATALOG

FIG ITEM	PART NUMBER	NOMENCLATURE	UNITS
			PER ASSY
		1 2 3 4 5 6 7	
03			
75	6511699-32	. HINGE PIN . . . . .	02
76	TRA815	. THRUST RACE-BEARING . . . . . V60380	07
77	NTA815	. THRUST BEARING . . . . . V60380	01
78	MS16624-1050	. RETAINING RING . . . . .	04
79	6511699-31	. LOCKING PLATE . . . . .	02
		ATTACHING PARTS	
80	AN3-4	. BOLT . . . . .	01
81	NAS1149F0332P	. WASHER . . . . .	01
82	MS21044N3	. NUT . . . . .	01
		—*—	
- 83	5511233-79	. SPACER . . . . .	01
84	6311090-44	. DOUBLER ASSY . . . . .	01
- 85	6311090-42	. SHIM-UPR . . . . .	01
- 86	6311090-43	. SHIM-LWR . . . . .	01
- 87	6311090-40	. SHIM-INNER . . . . .	01
- 88	6311090-2	. DOUBLER . . . . .	01
- 89	5511233-25	. SHIM . . . . .	01
90	6311090-3	. INTERCOSTAL . . . . .	01
91	6311090-14	. CHANNEL ASSY-UPR . . . . .	01
92	6311090-15	. CHANNEL ASSY-LWR . . . . .	01
- 93	6311090-16	. TAB . . . . .	01
- 94	6311090-8	. CHANNEL-UPR . . . . .	01
- 95	6311090-9	. CHANNEL-LWR . . . . .	01
- 96	6311090-10	. TAB . . . . .	01
97	6311090-11	. STIFFENER . . . . .	01
98	5511233-78	. CLIP . . . . .	01
99	5511233-74	. CLIP . . . . .	01
100	6311090-6	. INTERCOSTAL . . . . .	01
101	6311090-13	. CHANNEL . . . . .	01
102	6311090-17	. CLIP . . . . .	01
103	5511233-76	. BEARING BLOCK-DOOR HINGE . . . . .	04
		ATTACHING PARTS	
104	MS24694-S49	. SCREW . . . . .	04
105	MS21042L3	. NUT . . . . .	04
		—*—	
106	6311090-24	. STIFFENER . . . . .	01
- 107	5511233-77	. CLIP . . . . .	01
- 108	5511233-21	. ANGLE . . . . .	02
109	6311090-5	. INTERCOSTAL . . . . .	01
110	6311090-33	. STIFFENER . . . . .	01
111	6311090-30	. CLIP . . . . .	01
112	5511241-2	. CLIP . . . . .	01
113	6311090-4	. INTERCOSTAL . . . . .	01
114	5511233-73	. CLIP . . . . .	01
115	6311090-32	. STIFFENER . . . . .	01
116	6311090-31	. CLIP . . . . .	01
- 117	5511233-24	. SHIM . . . . .	01
118	5511233-80	. SPACER . . . . .	01
119	6311090-48	. SEAL FITTING . . . . .	01
		ATTACHING PARTS	
120	MS24694S2	. SCREW . . . . .	02
121	MS21062L08	. NUTPLATE . . . . .	02
		—*—	
- 122	6311090-46	. SPACER . . . . .	01
123	5511241-12	. TAB . . . . .	02
		ATTACHING PARTS	
124	MS24694S1	. SCREW . . . . .	02
125	MS21069-08	. NUTPLATE . . . . .	02
		—*—	
126	6311090-7	. FORMER . . . . .	01
127	6311090-36	. COVER ASSY . . . . .	01
128	6311090-47	. COVER . . . . .	01
129	6311090-22	. PANEL ASSY . . . . .	01
		ATTACHING PARTS	
130	MS35207-263	. SCREW . . . . .	10
131	MS21069L3	. NUTPLATE . . . . .	10
		—*—	

- ITEM NOT ILLUSTRATED

CESSNA®  
MODEL 525 (SERIALS -0685 AND -0800 AND ON)  
ILLUSTRATED PARTS CATALOG

A87486



**DETAIL A**

CABIN DOOR LATCH MECHANISM  
FIGURE 01 (SHEET 1)

6310T1168  
A6311T1053

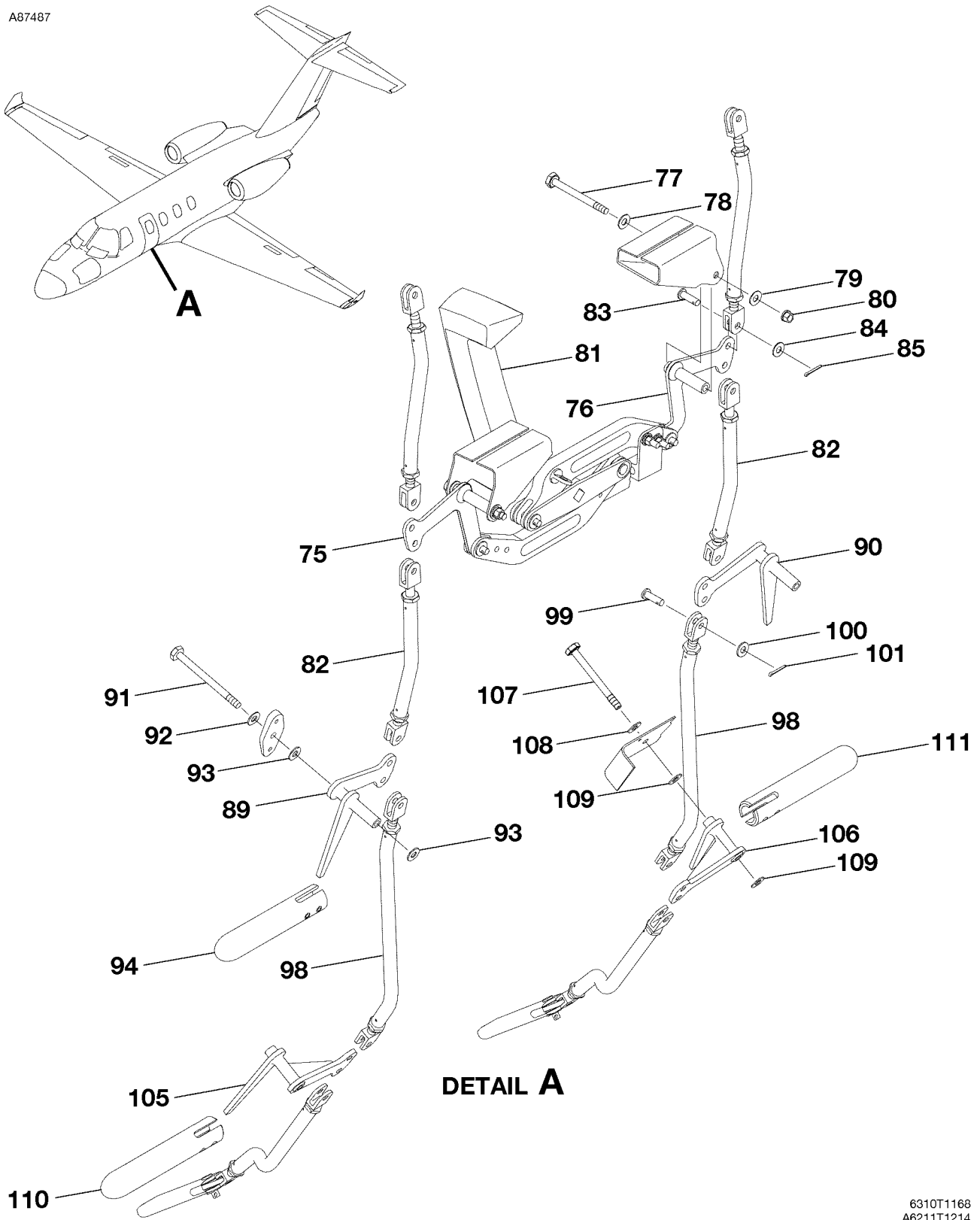
CESSNA®  
**MODEL 525 (SERIALS -0685 AND -0800 AND ON)**  
 ILLUSTRATED PARTS CATALOG

FIG ITEM	PART NUMBER	NOMENCLATURE	UNITS
			PER ASSY
01		CABIN DOOR LATCH MECHANISM	RF
-		. PIN-UPR DOOR LATCH . . . . .	02
1	5511232-16	. ATTACHING PARTS	
2	5511232-23	. LINK-PIN . . . . .	02
3	MS20392-2C15	. PIN . . . . .	02
4	NAS1515M3L	. WASHER . . . . .	04
5	NAS1149F0332P	. WASHER . . . . .	02
6	MS24665-132	. COTTER PIN . . . . .	02
		—*—	
7	6511699-5	. CLIP-UPR . . . . .	02
		. ATTACHING PARTS	
8	MS20392-2C15	. PIN . . . . .	01
9	NAS1149F0332P	. WASHER . . . . .	01
10	NAS1515M3L	. WASHER . . . . .	02
11	MS24665-132	. COTTER PIN . . . . .	01
		—*—	
12	5511232-72	. BELLCRANK-UPR . . . . .	02
		. ATTACHING PARTS	
13	MS20392-2C23	. PIN . . . . .	01
14	NAS1149F0332P	. WASHER . . . . .	01
15	NAS1515M3L	. WASHER . . . . .	02
16	MS24665-132	. COTTER PIN . . . . .	01
		—*—	
17	6511701-1	. LINK ASSY-UPR FWD . . . . .	01
18	6511701-2	. LINK ASSY-UPR AFT . . . . .	01
		. ATTACHING PARTS	
19	MS20392-2C13	. PIN . . . . .	02
20	NAS1149F0332P	. WASHER . . . . .	02
21	MS24665-132	. COTTER PIN . . . . .	02
		—*—	
- 22	5511232-125	. . CLEVIS . . . . .	02
- 23	AN316-4R	. . NUT . . . . .	02
- 24	6511701-8	. . TUBE-UPR FWD . . . . .	01
- 25	6511701-9	. . TUBE-UPR AFT . . . . .	01
26	5511223-3	. BELLCRANK-FWD . . . . .	02
27	5511223-4	. BELLCRANK-AFT . . . . .	02
		. ATTACHING PARTS	
28	AN3H17A	. BOLT . . . . .	01
29	NAS1149F0332P	. WASHER . . . . .	01
30	NAS1515M3L	. WASHER . . . . .	02
		—*—	
31	5511232-419	. PIN ASSY . . . . .	02
32	6511701-3	. LINK ASSY-UPR MID . . . . .	02
		. ATTACHING PARTS	
33	MS20392-2C13	. PIN . . . . .	02
34	NAS1149F0332P	. WASHER . . . . .	02
35	MS24665-132	. COTTER PIN . . . . .	02
		—*—	
- 36	5511232-125	. . CLEVIS . . . . .	02
- 37	6511701-10	. . TUBE-UPR . . . . .	01
- 38	AN316-4R	. . NUT . . . . .	02
39	5511232-429	. PIN ASSY-UPR MID . . . . .	02
- 40	5511232-430	. . PIN . . . . .	01
- 41	MS16562-48	. . PIN-SPRING . . . . .	02
- 42	NAS561P6-12	. . PIN-SPRING ALT FOR MS16562-48 . . . . .	02
43	6511701-4	. LINK ASSY-MID . . . . .	02
		. ATTACHING PARTS	
44	MS20392-2C13	. PIN . . . . .	02
45	NAS1149F0332P	. WASHER . . . . .	02
46	MS24665-132	. COTTER PIN . . . . .	02
		—*—	
- 47	5511232-125	. . CLEVIS . . . . .	02
- 48	6511701-11	. . TUBE-UPR CTR . . . . .	01
- 49	AN316-4R	. . NUT . . . . .	02

- ITEM NOT ILLUSTRATED

CESSNA®  
MODEL 525 (SERIALS -0685 AND -0800 AND ON)  
ILLUSTRATED PARTS CATALOG

A87487



CABIN DOOR LATCH MECHANISM  
FIGURE 01 (SHEET 2)

6310T1168  
A6211T1214

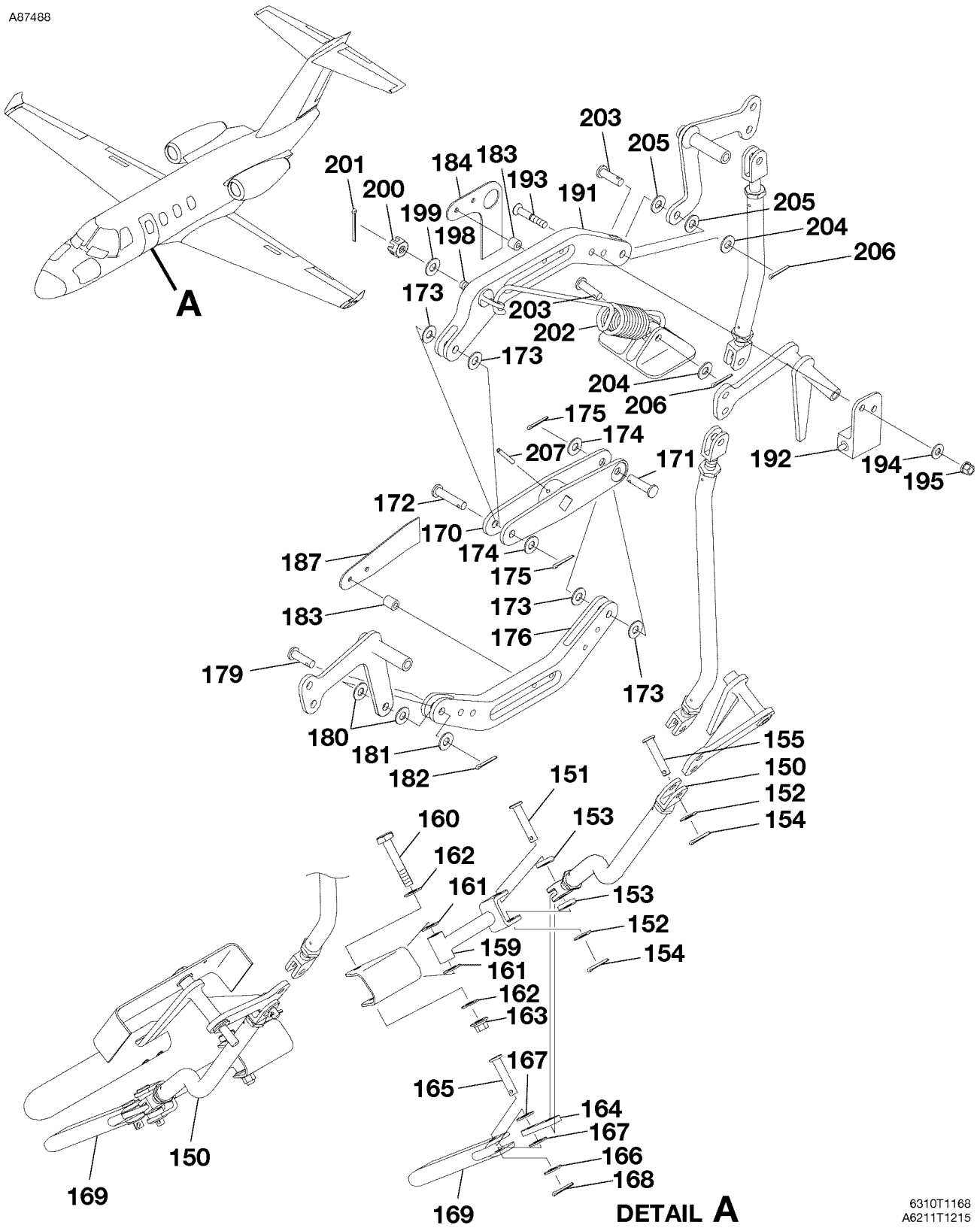
CESSNA®  
**MODEL 525 (SERIALS -0685 AND -0800 AND ON)**  
 ILLUSTRATED PARTS CATALOG

FIG ITEM	PART NUMBER	NOMENCLATURE	UNITS PER ASSY		
			1	2	3
01					
75	5511232-74	. BELLCRANK-FWD CTR . . . . .			01
76	5511232-88	. BELLCRANK-AFT CTR . . . . .			01
		ATTACHING PARTS			
77	AN3-20A	. BOLT . . . . .			01
78	NAS1515M3L	. WASHER . . . . .			02
79	NAS1149F0332P	. WASHER . . . . .			01
80	MS21042L3	. NUT . . . . .			01
		—*—			
81		. CABIN DOOR HANDLE REFER TO 52-10-01 FIGURE 02. . . . .			RF
82	6511701-5	. LINK ASSY-LATCH CONTROL LWR . . . . .			02
		ATTACHING PARTS			
83	MS20392-2C13	. PIN . . . . .			02
84	NAS1149F0332P	. WASHER . . . . .			02
85	MS24665-132	. COTTER PIN . . . . .			02
		—*—			
- 86	5511232-125	. CLEVIS . . . . .			02
- 87	6511701-12	. TUBE-CTR . . . . .			01
- 88	AN316-4R	. NUT . . . . .			02
89	5511223-1	. BELLCRANK-LWR CTR FWD . . . . .			01
90	5511223-2	. BELLCRANK-LWR CTR AFT . . . . .			01
		ATTACHING PARTS			
91	AN3H23A	. BOLT . . . . .			01
92	NAS1149F0332P	. WASHER . . . . .			01
93	NAS1515M3L	. WASHER . . . . .			02
		—*—			
94	5511232-407	. PIN ASSY-LWR FSO 5511232-431 . . . . .	0685	0685	NP R
			0800	0908	
			0909	& ON	
- 94A	5511232-431	. PIN ASSY-LWR . . . . .			02 R
- 95	5511232-409	. PIN . . . . .			01
- 96	MS16562-48	. PIN-SPRING . . . . .			02
- 97	NAS561P6-12	. PIN-SPRING ALT FOR MS16562-48 . . . . .			02
98	6511701-6	. LINK ASSY-LATCH CONTROL LWR CTR AND AFT . . . . .			02
		ATTACHING PARTS			
99	MS20392-2C13	. PIN . . . . .			02
100	NAS1149F0332P	. WASHER . . . . .			02
101	MS24665-132	. COTTER PIN . . . . .			02
		—*—			
- 102	5511232-125	. CLEVIS . . . . .			02
- 103	6511701-13	. TUBE-LWR CTR . . . . .			01
- 104	AN316-4R	. NUT . . . . .			02
105	5511223-3	. BELLCRANK-LWR FWD . . . . .			01
106	5511223-4	. BELLCRANK-LWR AFT . . . . .			01
		ATTACHING PARTS			
107	AN3H20A	. BOLT . . . . .			01
108	NAS1149F0332P	. WASHER . . . . .			01
109	NAS1515M3L	. WASHER . . . . .			02
		—*—			
110	5511232-415	. PIN ASSY-LWR AFT FSO 5511232-432 . . . . .	0685	0685	NP R
			0800	0908	
			0909	& ON	
- 110A	5511232-432	. PIN ASSY-LWR . . . . .			02 R
111	5511232-428	. PIN ASSY-LWR FWD FSO 5511232-433 . . . . .	0685	0685	NP R
			0800	0908	
			0909	& ON	
- 111A	5511232-433	. PIN ASSY-LWR FWD . . . . .			02 R
- 112	5511232-417	. PIN . . . . .			01
- 113	MS16562-48	. PIN-SPRING . . . . .			02
- 114	NAS561P6-12	. PIN-SPRING ALT FOR MS16562-48 . . . . .			02

- ITEM NOT ILLUSTRATED

CESSNA®  
MODEL 525 (SERIALS -0685 AND -0800 AND ON)  
ILLUSTRATED PARTS CATALOG

A87488



CABIN DOOR LATCH MECHANISM  
FIGURE 01 (SHEET 3)

6310T1168  
A6211T1215

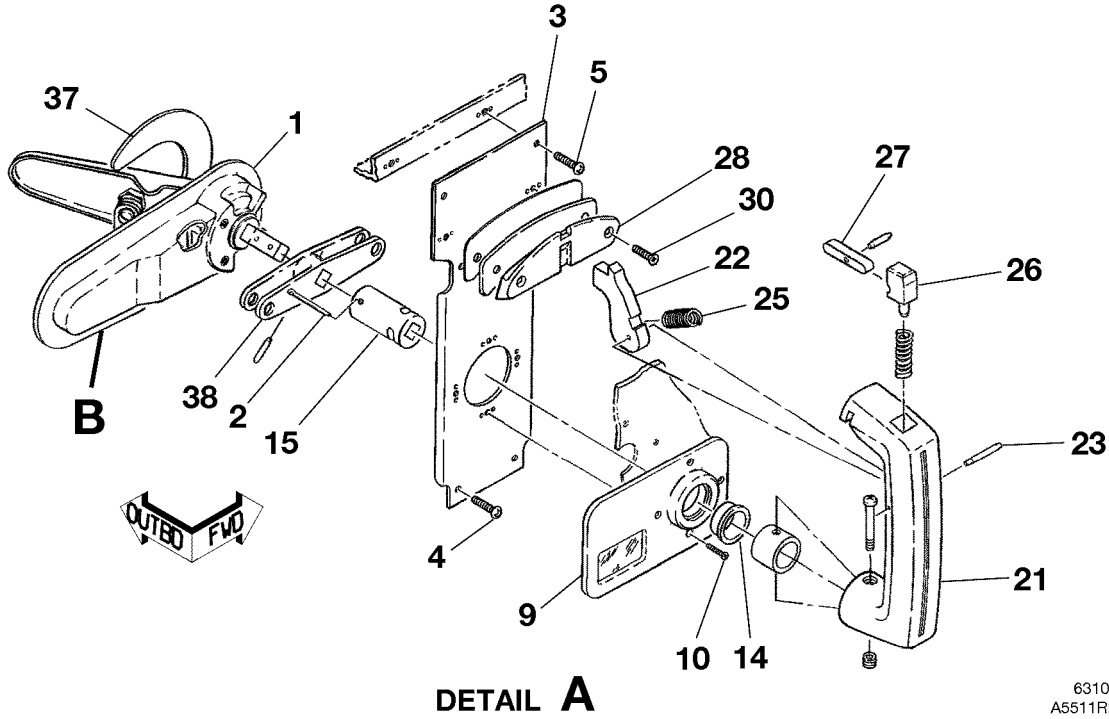
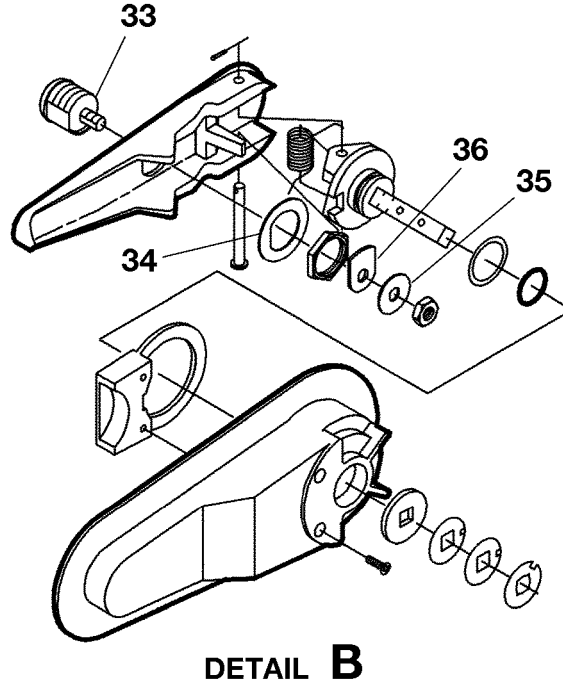
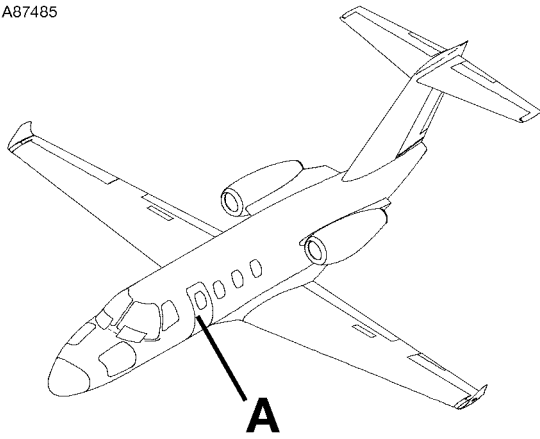
CESSNA®  
**MODEL 525 (SERIALS -0685 AND -0800 AND ON)**  
 ILLUSTRATED PARTS CATALOG

FIG ITEM	PART NUMBER	NOMENCLATURE	UNITS PER ASSY
	1 2 3 4 5 6 7		
01			
150	6511701-7	. LINK ASSY-LATCH LOWER FWD AND AFT . . . . .	02
		ATTACHING PARTS	
151	MS20392-2C25	. PIN . . . . .	01
152	NAS1149F0332P	. WASHER . . . . .	02
153	NAS42DD6-7FC	. SPACER . . . . .	02
154	MS24665-132	. COTTER PIN . . . . .	02
155	MS20392-2C23	. PIN . . . . .	01
		—*—	
- 156	5511232-125	. CLEVIS . . . . .	02
- 157	6511701-14	. TUBE . . . . .	01
- 158	AN316-4R	. NUT . . . . .	02
159	5511232-69	. IDLER-LWR . . . . .	02
		ATTACHING PARTS	
160	AN3-11A	. BOLT . . . . .	01
161	NAS1149F0332P	. WASHER . . . . .	02
162	NAS1515M3L	. WASHER . . . . .	02
163	MS21042L3	. NUT . . . . .	01
		—*—	
164	5511232-23	. LINK-LWR . . . . .	02
		ATTACHING PARTS	
165	MS20392-2C15	. PIN . . . . .	01
166	NAS1149F0332P	. WASHER . . . . .	01
167	NAS1515M3L	. WASHER . . . . .	02
168	MS24665-132	. COTTER PIN . . . . .	01
		—*—	
169	5511232-16	. PIN-DOOR LATCH LOWER FWD AND AFT . . . . .	02
170	6311142-2	. ROCKER ARM . . . . .	01
		ATTACHING PARTS	
171	MS20392-2C19	. PIN . . . . .	01
172	MS20392-2C23	. PIN . . . . .	01
173	NAS1515M3L	. WASHER . . . . .	04
174	NAS1149F0332P	. WASHER . . . . .	02
175	MS24665-132	. COTTER PIN . . . . .	02
		—*—	
176	5511232-90	. DRIVE LINK ASSY-LWR FSO 5511232-200 . . . . .	0685 0685 NP R 0800 0908 0909 & ON 01 R
- 176A	5511232-2000	. DRIVE LINK ASSY-LWR . . . . .	01
- 177	5511232-92	. DRIVE LINK . . . . .	01
- 178	5511232-93	. LATCH PLATE . . . . .	01
179	MS20392-2C15	. PIN . . . . .	02
180	NAS1515M3L	. WASHER . . . . .	04
181	NAS1149F0332P	. WASHER . . . . .	02
182	MS24665-132	. COTTER PIN . . . . .	02
183	NAS42DD4-18N	. SPACER . . . . .	04
184	6511699-35	. INDICATOR ASSY-UPR . . . . .	01
- 185	6511699-33	. INDICATOR . . . . .	01
- 186	6511699-34	. SILKSCREEN-FSO S4421-1 . . . . .	NP
- 186A	S4421-1	. PLACARD-FOR SPARES ONLY . . . . .	01
187	6511699-38	. INDICATOR ASSY-LWR . . . . .	01
- 188	6511699-36	. INDICATOR . . . . .	01
- 189	6511699-37	. SILKSCREEN-FSO S4421-2 . . . . .	NP
- 189A	S4421-2	. PLACARD-FOR SPARES ONLY . . . . .	01
- 190	6311142-1	. DRIVE LINK ASSY-UPR . . . . .	01
191	6311142-6	. DRIVE LINK . . . . .	01
192	5511232-98	. CATCH ASSY . . . . .	01
		ATTACHING PARTS	
193	MS24694-S11	. SCREW . . . . .	02
194	NAS1149DN832K	. WASHER . . . . .	02
195	MS21042L08	. NUT . . . . .	02
		—*—	
- 196	CL41SPS1	. PLUNGER . . . . . V99862	01
- 197	5511232-99	. HOUSING . . . . .	01
198	6311142-5	. EYEBOLT-SPRING . . . . .	01
199	NAS1149F0332P	. WASHER . . . . .	01
200	MS17825-3	. NUT . . . . .	01
201	MS24665-172	. COTTER PIN . . . . .	01
202	6311142-4	. SPRING . . . . .	01
203	MS20392-2C15	. PIN . . . . .	02
204	NAS1149F0332P	. WASHER . . . . .	02
205	NAS1515M3L	. WASHER . . . . .	02
206	MS24665-132	. COTTER PIN . . . . .	02
207		. PIN-CABIN DOOR HANDLE-REFER TO 52-10-01 FIGURE 02 . . . . .	RF

- ITEM NOT ILLUSTRATED

CESSNA®  
MODEL 525 (SERIALS -0685 AND -0800 AND ON)  
ILLUSTRATED PARTS CATALOG

A87485



**DETAIL A**

CABIN DOOR HANDLE  
FIGURE 02 (SHEET 1)

6310T1168  
A5511R2036B  
B2909R0003



CESSNA®  
**MODEL 525 (SERIALS -0685 AND -0800 AND ON)**  
 ILLUSTRATED PARTS CATALOG

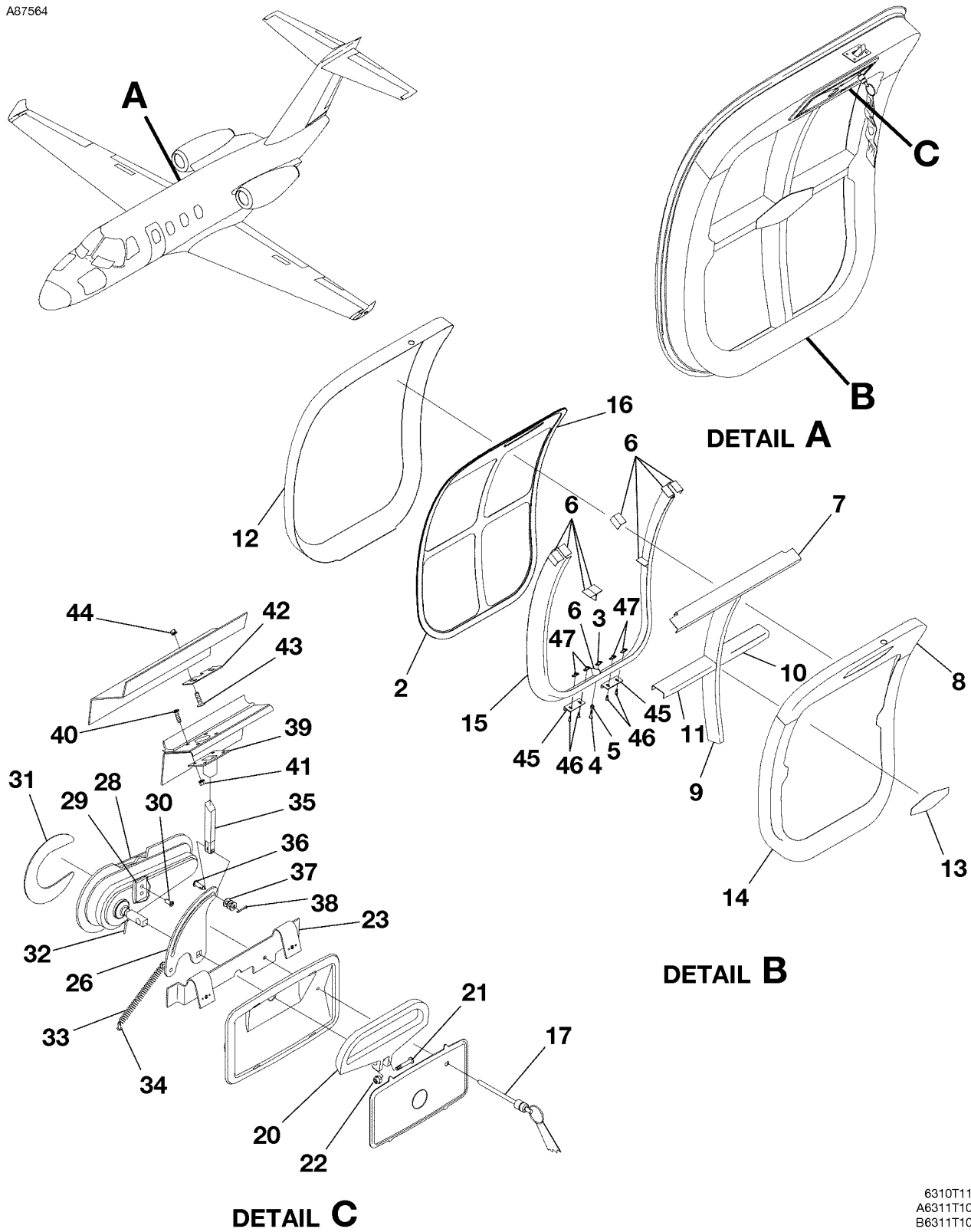
FIG ITEM	PART NUMBER	NOMENCLATURE	UNITS
			PER ASSY
02		CABIN DOOR HANDLE	RF
- 1	SL5001-1	. HANDLE ASSY-OUTER CABIN DOOR . . . . . V54071	01
2	MS16562-122	. PIN-SPRING . . . . .	01
3	5519055-18	. PLATE ASSY-INNER HANDLE . . . . .	01
		ATTACHING PARTS	
4	MS35207-263	. SCREW . . . . .	04
5	MS24694-S5	. SCREW . . . . .	02
		—*—	
- 6	5519055-17	. . PLATE . . . . .	01
- 7	MS21069L08	. . NUTPLATE . . . . .	02
- 8	MS21069L3	. . NUTPLATE . . . . .	04
9	5519055-29	. ESCUTCHEON ASSY-INNER HANDLE . . . . .	01
		ATTACHING PARTS	
10	MS24694-S53	. SCREW . . . . .	04
		—*—	
- 11	5519055-11	. . ESCUTCHEON . . . . .	01
- 12	5519055-37	. . ESCUTCHEON ALT FOR 5519055-11 . . . . .	01
- 13	5519055-30	. . WINDOW . . . . .	01
14	5511238-15	. BUSHING . . . . .	01
15	5511238-20	. SPINDLE-INNER HANDLE . . . . .	01
- 16	5519055-33	. HANDLE ASSY-INNER CABIN DOOR . . . . .	01
		ATTACHING PARTS	
- 17	HL10VBJ6-18	. PIN-HI LOK . . . . . V73197	01
- 18	MS24665-287	. COTTER PIN . . . . .	01
		—*—	
- 19	MS21209F1-10	. . INSERT-HELI COIL . . . . .	01
- 20	5519055-28	. . BEARING INSERT . . . . .	01
21	5519055-32	. . HANDLE . . . . .	01
22	5519055-14	. . TRIGGER . . . . .	01
23	NAS561P4-16	. . PIN-SPRING . . . . .	02
- 24	NAS561P4-15	. . PIN ALT FOR NAS561P4-16 . . . . .	02
25	5511238-5	. . SPRING . . . . .	02
26	5519055-23	. . BUTTON-LATCH RELEASE . . . . .	01
27	5519055-22	. . LATCH . . . . .	01
28	5519055-34	. STRIKER PLATE . . . . .	01
- 29	6397000-24	. STRIKER PLATE-REFER TO NOTE 2 . . . . .	01
- 29A	MS35489-6	. GROMMET-REFER TO NOTE 2 . . . . .	02
- 29B	S1741-1	. ANCHOR-REFER TO NOTE 2 . . . . .	02
		ATTACHING PARTS	
30	CM3767-1	. SCREW . . . . .	02
		—*—	
- 31	5519055-25	. SHIM . . . . .	AR
- 32	5519055-35	. RUB PLATE . . . . .	AR
33	60W1251T129	. CAM LOCK-DOOR HANDLE REFER TO NOTE 1 . . . . . V56337	01
34	6512105-6	. LOCK WASHER . . . . .	01
35	6512105-7	. LOCK WASHER . . . . .	01
36	5511230-66	. CAM-DOOR HANDLE LOCK . . . . .	01
37	5511230-29	. SHIELD-DOOR HANDLE . . . . .	01
38		. CABIN DOOR LATCH MECHANISM-REFER TO 52-10-01 FIGURE 01 . . . . .	RF

NOTE 1—KEY IDENTIFICATION TAG NUMBER AND PROOF OF OWNERSHIP (COPY OF AIRCRAFT REGISTRATION) MUST BE SUPPLIED TO OBTAIN REPLACEMENT LOCKS AND/OR KEYS.

NOTE 2—USED ON BRITISH,CROATIAN, DANISH, ISLE OF MAN, LUXEMBOURG, PORTUGUESE AND SERBIA CERTIFIED AIRPLANES. R

CESSNA®  
**MODEL 525 (SERIALS -0685 AND -0800 AND ON)**  
 ILLUSTRATED PARTS CATALOG

A87564



ESCAPE HATCH INSTALLATION  
 FIGURE 01 (SHEET 1)

6310T1168  
 A6311T1004  
 B6311T1004  
 C6311T1004

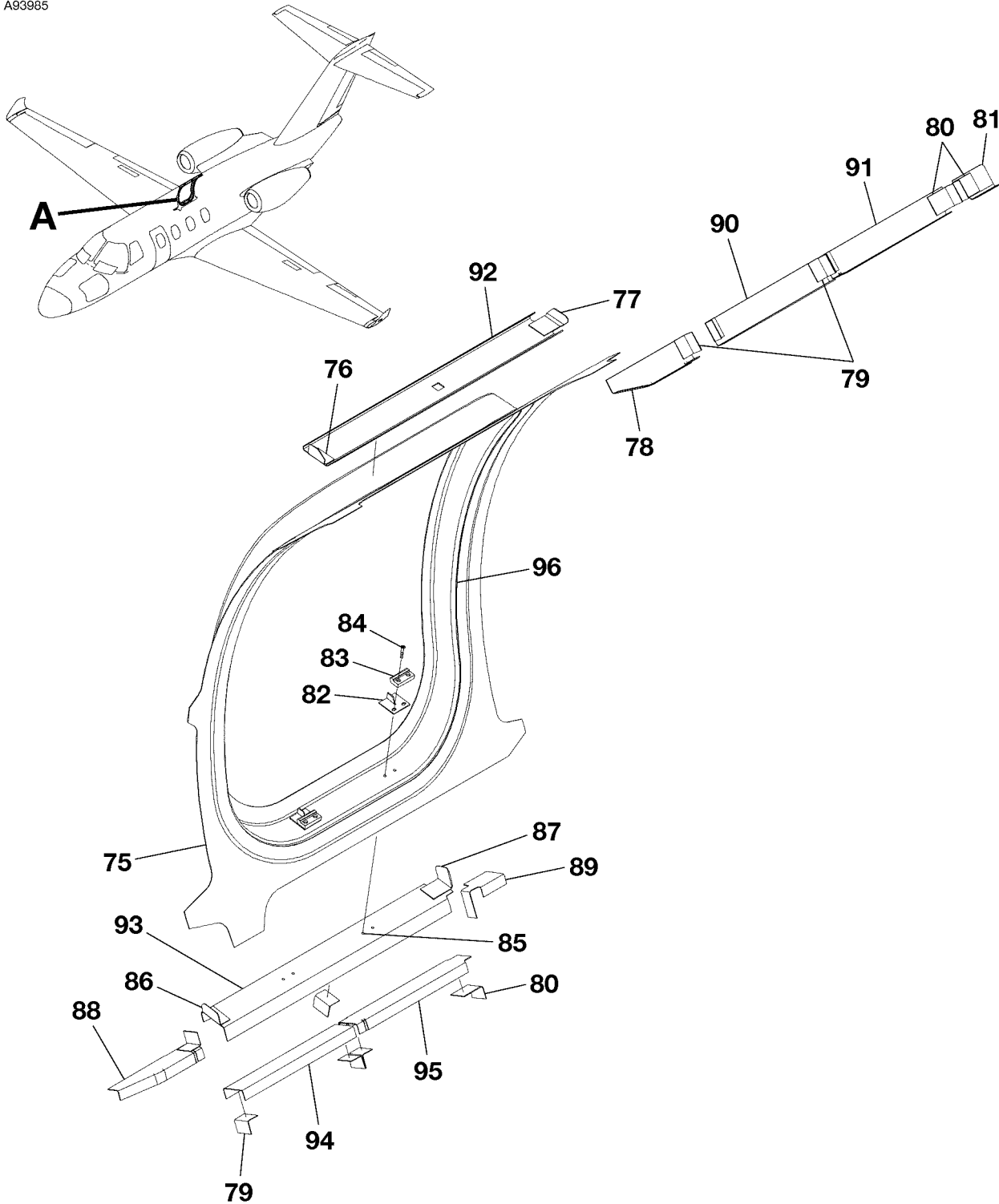
CESSNA®  
**MODEL 525 (SERIALS -0685 AND -0800 AND ON)**  
 ILLUSTRATED PARTS CATALOG

FIG ITEM	PART NUMBER	NOMENCLATURE	UNITS
			PER ASSY
		1 2 3 4 5 6 7	
01		ESCAPE HATCH INSTALLATION	RF
- 1	6311256-6	. ESCAPE HATCH ASSY . . . . .	01
2	6311253-1	. . BOND ASSY-SKIN . . . . .	01
3	MS21047L3	. . NUTPLATE . . . . .	01
4	MS27039-1-16	. . SCREW . . . . .	01
5	MS21044N3	. . NUT . . . . .	01
6	6311130-10	. . ANGLE . . . . .	10
7	6311253-8	. . CHANNEL . . . . .	01
8	6311253-5	. . SKIN-UPPER INBOARD . . . . .	01
9	6311253-4	. . FRAME . . . . .	01
10	6311253-9	. . CHANNEL-FWD . . . . .	01
11	6311253-10	. . CHANNEL-AFT . . . . .	01
12	6311253-12	. . FRAME . . . . .	01
13	6311253-14	. . GUSSET . . . . .	01
14	6311253-6	. . SKIN-LOWER INBOARD . . . . .	01
15	6311253-7	. . ZEE-FRAME . . . . .	01
16	6311253-11	. . FILLER . . . . .	01
17	6311368-3	. . PIN ASSY . . . . .	01
- 18	5511255-32	. . . . STREAMER . . . . .	01
- 19	CL-3-BPDR-3.20	. . . . LOCK PIN . . . . . V99862	01
20	5511255-46	. . HANDLE-INNER . . . . .	01
		ATTACHING PARTS	
21	NAS623-2-11	. . SCREW . . . . .	01
22	S1914-4	. . NUT . . . . .	01
		—*—	
23	4717081-56	. . BRACKET ASSY-PAN ATTACH . . . . .	01
- 24	4717081-54	. . BRACKET . . . . .	01
- 25	MS21069L08	. . NUTPLATE . . . . .	02
26	6311255-2	. . CAM ASSY-WELD . . . . .	01
- 27	6311368-2	. . HANDLE ASSY-OUTER . . . . .	01
28	SL5001-11	. . HANDLE ASSY . . . . .	01
29	5511255-35	. . BLOCK . . . . .	01
		ATTACHING PARTS	
30	NAS1189-08P7WL	. . SCREW . . . . .	01
		—*—	
31	5511230-29	. . SHIELD . . . . .	01
32	6311255-4	. . DRAIN TUBE . . . . .	01
33	5511255-11	. . SPRING . . . . .	01
		ATTACHING PARTS	
34	MS20392-1C7	. . PIN . . . . .	01
		—*—	
35	5511255-5	. . LOCK PIN . . . . .	01
		ATTACHING PARTS	
36	MS20392-2C13	. . PIN . . . . .	01
37	NAS1149D0316K	. . WASHER . . . . .	03
38	MS24665-170	. . COTTER PIN . . . . .	01
		—*—	
39	6311255-3	. . GUIDE ASSY-WELD . . . . .	01
		ATTACHING PARTS	
40	MS24694-S6	. . SCREW . . . . .	04
41	MS21042-08	. . NUT . . . . .	04
		—*—	
42	6311255-8	. . STRIKER-UPPER DOOR FRAME . . . . .	01
		ATTACHING PARTS	
43	MS24694-S52	. . SCREW . . . . .	02
44	NAS1329H3K130L	. . NUT . . . . .	02
		—*—	
45	6311253-13	. . RETAINER GUIDE . . . . .	02
		ATTACHING PARTS	
46	MS27039-0809	. . SCREW . . . . .	02
47	MS21047L08	. . NUTPLATE . . . . .	02
		—*—	

- ITEM NOT ILLUSTRATED

CESSNA®  
MODEL 525 (SERIALS -0685 AND -0800 AND ON)  
ILLUSTRATED PARTS CATALOG

A93985



**DETAIL A**

ESCAPE HATCH INSTALLATION  
FIGURE 01 (SHEET 2)

6310T1168  
A6311T130-1

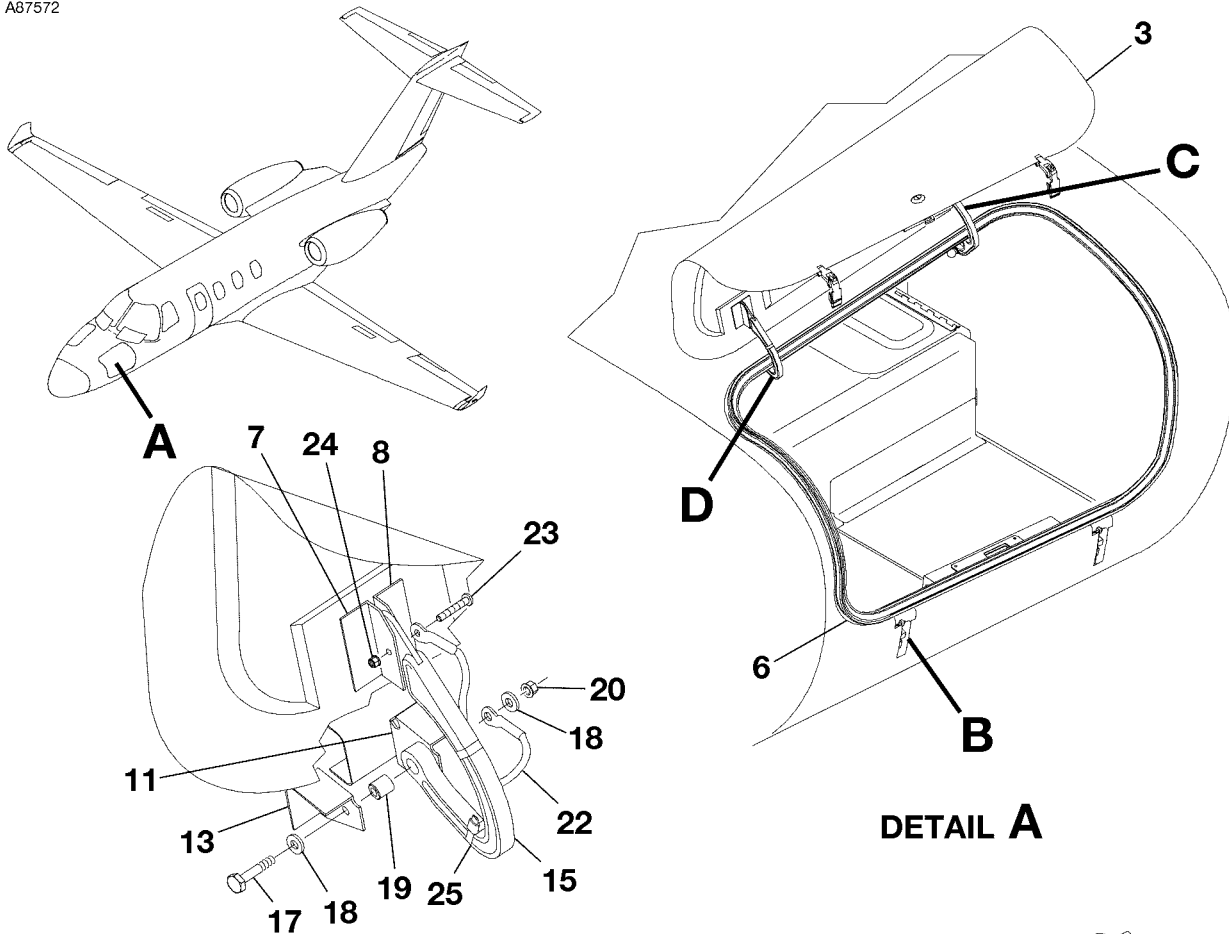
CESSNA®  
**MODEL 525 (SERIALS -0685 AND -0800 AND ON)**  
 ILLUSTRATED PARTS CATALOG

FIG ITEM	PART NUMBER	NOMENCLATURE	UNITS
			PER ASSY
01			
75	6311130-3	. DOUBLER . . . . .	01
76	6311130-19	. CLIP-UPPER FWD . . . . .	01
77	6311130-18	. CLIP-UPPER AFT . . . . .	01
78	6311130-15	. INTERCOSTAL-UPPER FWD . . . . .	01
79	6311130-10	. ANGLE . . . . .	10
80	6311130-17	. CLIP . . . . .	03
81	6311130-16	. INTERCOSTAL-UPPER AFT . . . . .	01
82	5511162-30	. GUIDE . . . . .	02
83	6311130-20	. STOP-LOWER . . . . .	02
		ATTACHING PARTS	
84	MS24694S10	. SCREW . . . . .	02
85	MS21047L08	. NUTPLATE . . . . .	02
		—*—	
86	6311130-12	. ANGLE-LOWER FWD . . . . .	01
87	6311130-11	. ANGLE-LOWER AFT . . . . .	01
88	6311130-14	. INTERCOSTAL-LOWER FWD . . . . .	01
89	6311130-13	. INTERCOSTAL-LOWER AFT . . . . .	01
90	6311130-9	. ANGLE-UPPER FWD . . . . .	01
91	6311130-8	. ANGLE-UPPER AFT . . . . .	01
92	6311130-7	. CHANNEL-UPPER . . . . .	01
93	6311130-4	. CHANNEL-LOWER . . . . .	01
94	6311130-6	. CHANNEL-LOWER FWD . . . . .	01
95	6311130-5	. CHANNEL-LOWER AFT . . . . .	01
96	6311130-2	. FRAME . . . . .	01

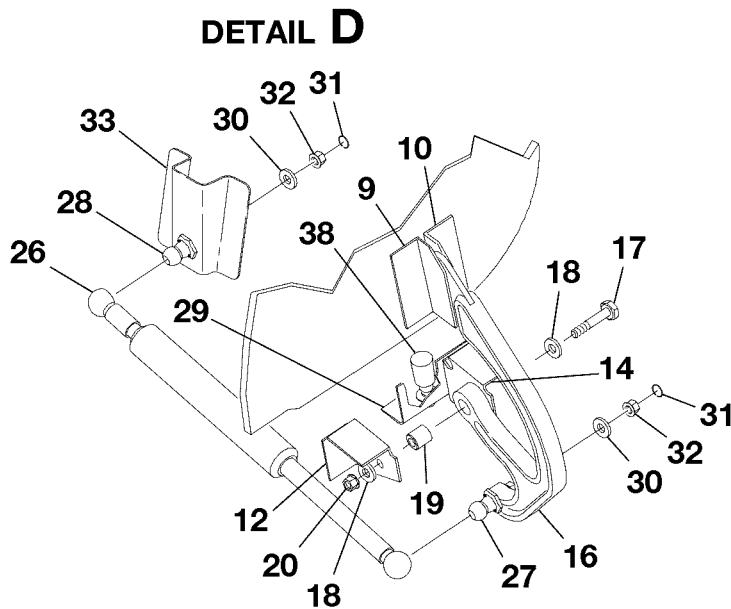
- ITEM NOT ILLUSTRATED

CESSNA®  
**MODEL 525 (SERIALS -0685 AND -0800 AND ON)**  
 ILLUSTRATED PARTS CATALOG

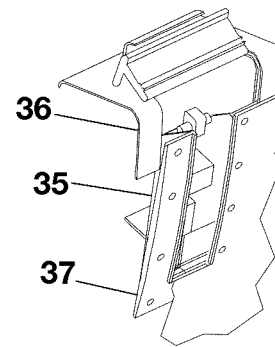
A87572



**DETAIL A**



**DETAIL C**



**DETAIL B**

NOSE BAGGAGE DOOR  
 FIGURE 01 (SHEET 1)

6310T1168  
 A6313T1003  
 B6313T1007  
 C6313T1007  
 D6313T1007

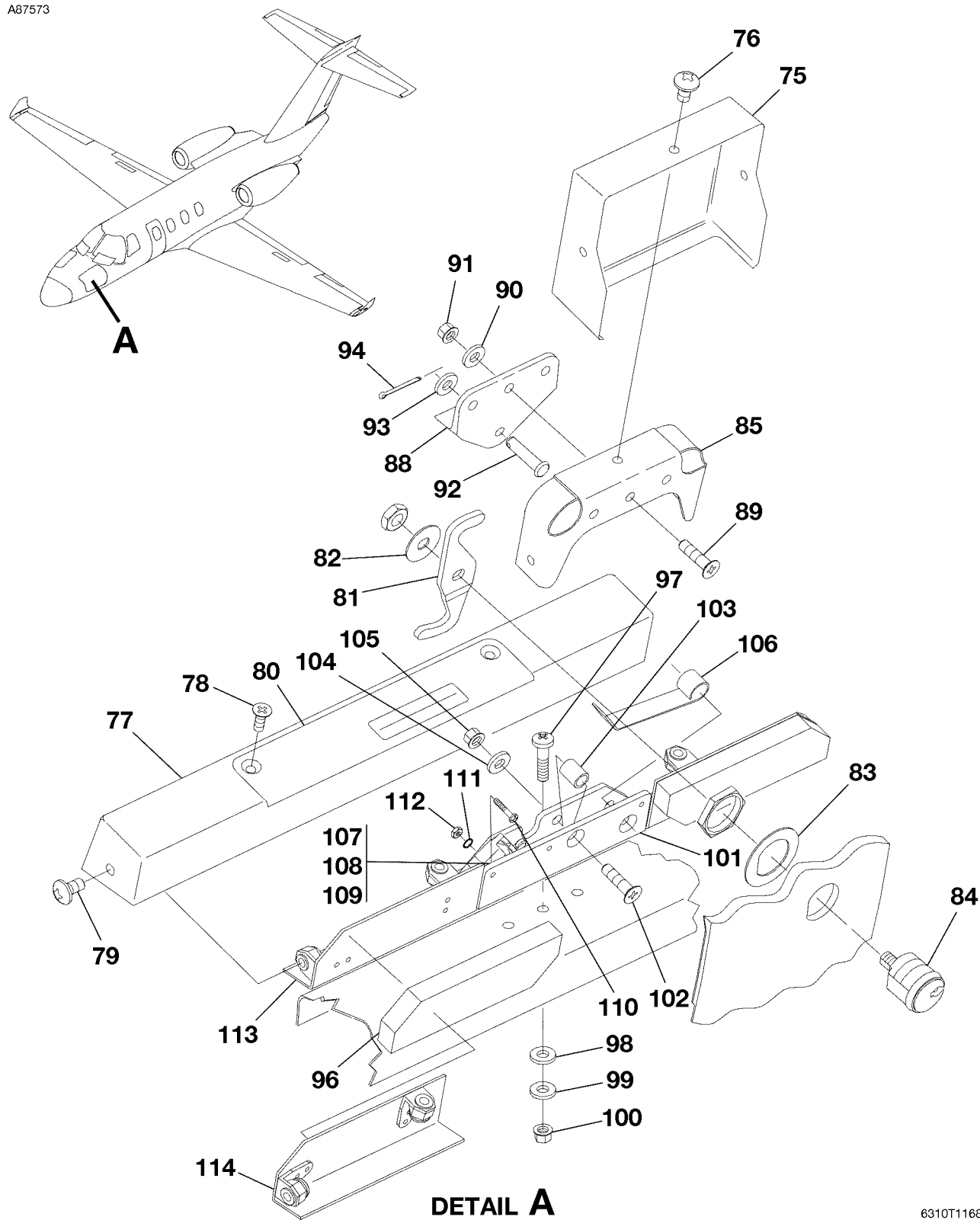
CESSNA®  
**MODEL 525 (SERIALS -0685 AND -0800 AND ON)**  
 ILLUSTRATED PARTS CATALOG

FIG ITEM	PART NUMBER	NOMENCLATURE	UNITS
			PER ASSY
01		NOSE BAGGAGE DOOR	RF
-			
- 1	5513066-87	. DOOR ASSY-LH REFER TO NOTE 1 AND NOTE 2 . . . . .	01
- 2	5513066-88	. DOOR ASSY-RH REFER TO NOTE 1 AND NOTE 2 . . . . .	01
- 3	5513066-89	. . BOND ASSY-LH . . . . .	01
- 4	5513066-90	. . BOND ASSY-RH . . . . .	01
- 5	5513042-5	. . HANDLE ASSY-REFER TO NOTE 1 AND NOTE 2 . . . . .	02
6	6313044-3	. SEAL . . . . .	02
7	5513044-12	. ANGLE-HINGE ATTACH . . . . .	02
8	5513044-10	. ANGLE-HINGE ATTACH . . . . .	02
9	5513044-9	. ANGLE-HINGE ATTACH . . . . .	02
10	5513044-11	. ANGLE-HINGE ATTACH . . . . .	02
11	5513044-22	. HINGE BRACKET . . . . .	02
12	5513044-24	. HINGE BRACKET . . . . .	02
13	5513044-23	. HINGE BRACKET . . . . .	02
14	5513044-25	. HINGE BRACKET . . . . .	02
15	5513045-1	. HINGE ASSY-FWD . . . . .	02
16	6313045-1	. HINGE ASSY-AFT . . . . .	02
		ATTACHING PARTS	
17	AN3-10A	. BOLT . . . . .	01
18	NAS1149D0363J	. WASHER . . . . .	02
19	NAS75-3-014	. BUSHING . . . . .	01
20	MS21042-3	. NUT . . . . .	01
		—*—	
- 21	S1003-69A	. . BEARING . . . . .	01
22	MS25083-2AB8	. JUMPER ASSY . . . . .	02
23	MS35206-233	. SCREW . . . . .	01
24	MS21042-06	. NUT . . . . .	01
25	MS3367-1-9	. STRAP . . . . .	04
26	5311330-5	. EXTENDER ASSY-NOSE BAGGAGE DOOR . . . . .	02
		ATTACHING PARTS	
27	6213066-48	. BALL STUD . . . . .	01
28	6213066-49	. BALL STUD . . . . .	01
29	6313110-7	. DOUBLER . . . . .	01
30	NAS1149F0332P	. WASHER . . . . .	02
31	A9002	. SAFETY CLIP . . . . .	02
32	MS21042-3	. NUT . . . . .	02
		—*—	
33	6313110-3	. EXTENDER SUPPORT-LH . . . . .	01
- 34	6313110-4	. EXTENDER SUPPORT-RH . . . . .	01
35	5513043-1	. SEAL-REFER TO NOTE 2 . . . . .	04
36	5513042-13	. LATCH SHIELD-REFER TO NOTE 2 . . . . .	04
37	9914343-4	. LATCH HOUSING-REFER TO NOTE 2 . . . . .	04
38		. SWITCH-LIMIT LH AND RH NOSE BAGGAGE LIGHT REFER TO 33-30-00 FIGURE 01 . . . . .	RF

NOTE 1—WHEN ORDERING THIS PART, SPECIFY HARTWELL OR SALCO LATCHES  
 NOTE 2—HANDLE AND HOUSING MUST BE FROM SAME SUPPLIER WITHOUT EXCEPTION

CESSNA®  
MODEL 525 (SERIALS -0685 AND -0800 AND ON)  
ILLUSTRATED PARTS CATALOG

A87573



**DETAIL A**

NOSE BAGGAGE DOOR  
FIGURE 01 (SHEET 2)

6310T1168  
A6313T1008



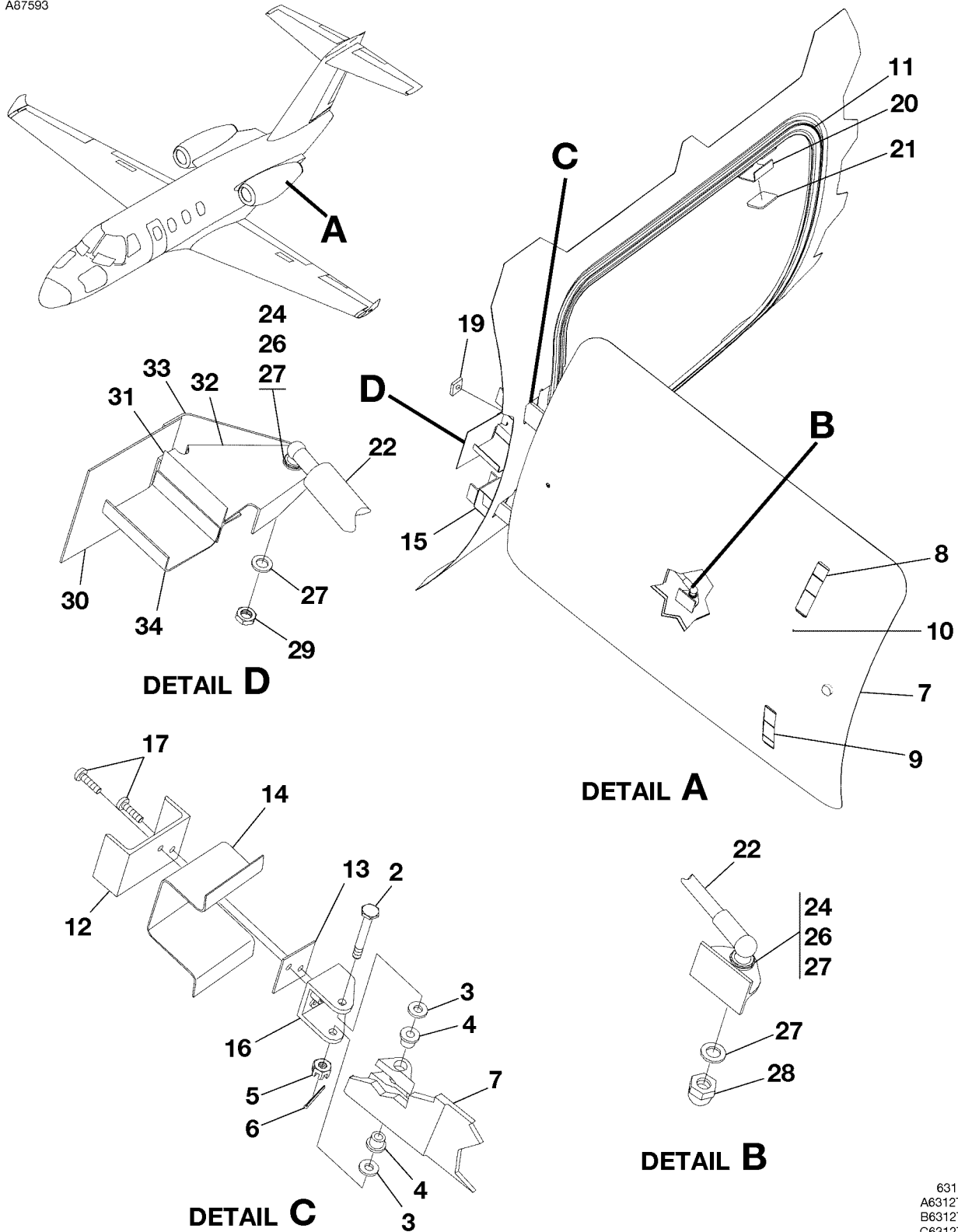
CESSNA®  
**MODEL 525 (SERIALS -0685 AND -0800 AND ON)**  
 ILLUSTRATED PARTS CATALOG

FIG ITEM	PART NUMBER	NOMENCLATURE	UNITS
			PER ASSY
		1 2 3 4 5 6 7	
01			
75	4811316-3	. COVER . . . . .	02
		. ATTACHING PARTS	
76	CM3922-8-7BG	. SCREW . . . . .	03
		—*—	
77	4811316-2	. COVER . . . . .	02
		. ATTACHING PARTS	
78	MS24694-C3	. SCREW . . . . .	02
79	CM3922-8-7BG	. SCREW . . . . .	02
		—*—	
80	4811316-4	. PLATE . . . . .	02
81	6513003-16	. CAM . . . . .	02
82	6512105-7	. LOCK WASHER . . . . .	02
83	6512105-6	. LOCK WASHER . . . . .	02
84	60W1251T129	. CAM LOCK-REFER TO NOTE 1 . . . . .	02
			V56337
85	6513003-10	. BRACKET ASSY . . . . .	02
- 86	MS21069L08	. NUTPLATE . . . . .	03
- 87	6513003-11	. BRACKET . . . . .	01
88	6513003-4	. FITTING . . . . .	02
		. ATTACHING PARTS	
89	MS24694-S56	. SCREW . . . . .	02
90	NAS1149F0332P	. WASHER . . . . .	02
91	MS21042L3	. NUT . . . . .	02
		—*—	
92	MS20392-2C23	. PIN . . . . .	02
93	NAS1149F0332P	. WASHER . . . . .	02
94	MS24665-134	. COTTER PIN . . . . .	02
- 95	6513003-5	. ANCHOR ASSY . . . . .	02
		. ATTACHING PARTS	
96	6513003-8	. FILLER . . . . .	02
97	MS27039-1-12	. SCREW . . . . .	03
98	NAS1149F0332P	. WASHER . . . . .	AR
99	NAS1149F0363P	. WASHER . . . . .	AR
100	MS21042L3	. NUT . . . . .	03
		—*—	
101	6513003-6	. ANCHOR . . . . .	01
102	MS24694-S58	. SCREW . . . . .	02
103	NAS43HT3-26	. SPACER . . . . .	02
104	NAS1149F0332P	. WASHER . . . . .	02
105	MS21042L3	. NUT . . . . .	02
106	6513003-9	. ARM . . . . .	01
107	MS27994-1	. SWITCH . . . . .	01
108	JM5	. ACTUATOR-SWITCH . . . . .	01
			V91929
109	NAS1149F0563P	. WASHER . . . . .	01
110	MS35206-207	. SCREW . . . . .	02
111	MS35333-35	. LOCK WASHER . . . . .	02
112	MS35649-222	. NUT . . . . .	02
113	6513003-13	. STIFFENER ASSY-FWD . . . . .	02
114	6513003-12	. STIFFENER ASSY-AFT . . . . .	02

NOTE 1—KEY IDENTIFICATION TAG NUMBER AND PROOF OF OWNERSHIP (COPY OF AIRCRAFT REGISTRATION) MUST BE SUPPLIED TO OBTAIN REPLACEMENT LOCKS AND/OR KEYS.

CESSNA®  
**MODEL 525 (SERIALS -0685 AND -0800 AND ON)**  
 ILLUSTRATED PARTS CATALOG

A87593



TAILCONE BAGGAGE DOOR  
 FIGURE 02 (SHEET 1)

6310T1168  
 A6312T1005B  
 B6312T1014A  
 C6312T1013A  
 D6312T1014A

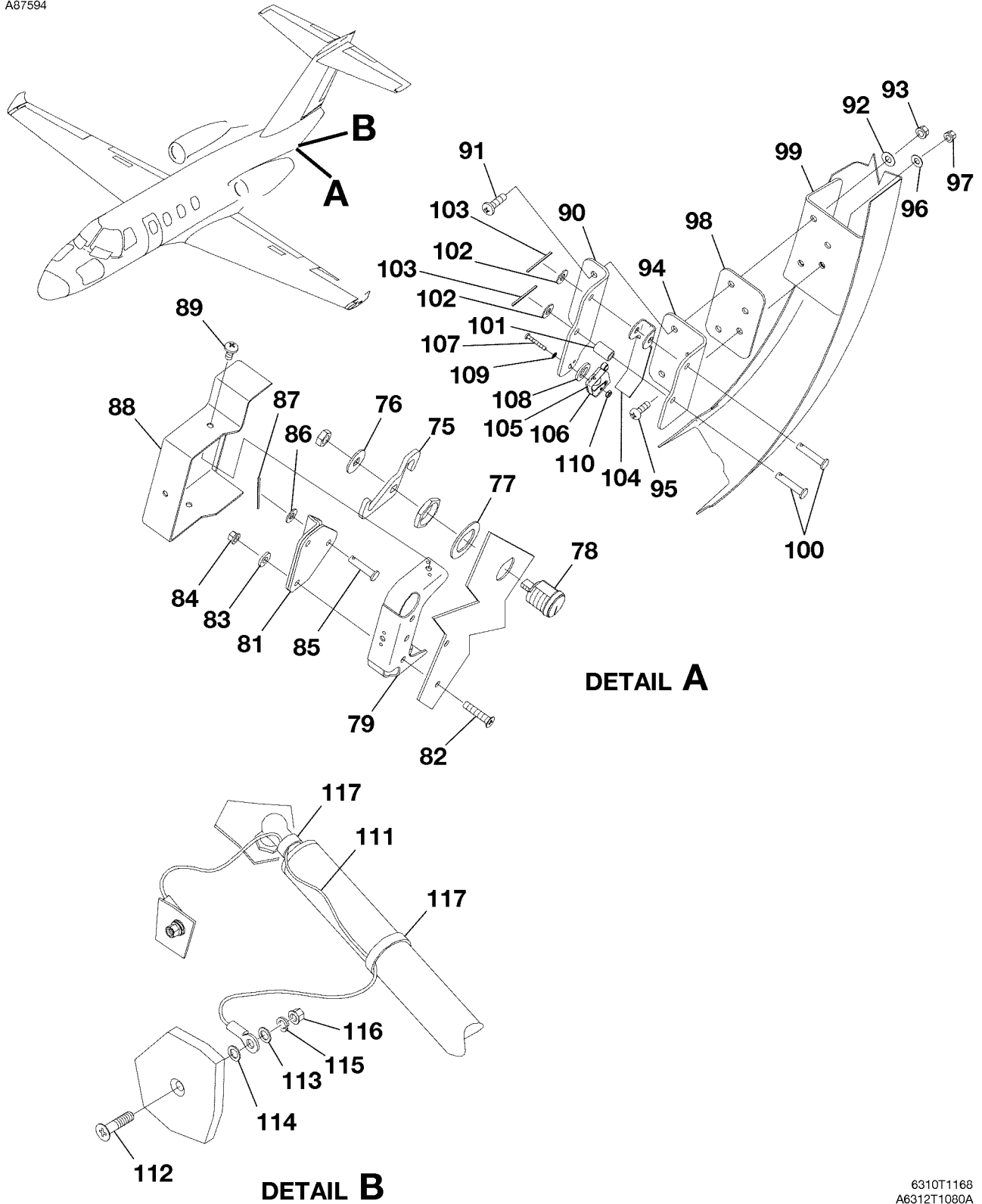
CESSNA®  
**MODEL 525 (SERIALS -0685 AND -0800 AND ON)**  
 ILLUSTRATED PARTS CATALOG

FIG ITEM	PART NUMBER	NOMENCLATURE	UNITS
			PER ASSY
		1 2 3 4 5 6 7	
02		TAILCONE BAGGAGE DOOR	RF
- 1	6312170-80	. DOOR ASSY . . . . .	01
		. ATTACHING PARTS	
2	NAS6203-18D	. BOLT . . . . .	02
3	NAS549-10	. WASHER . . . . .	04
4	NAS77-3-23	. BUSHING . . . . .	04
5	MS17825-3	. NUT . . . . .	02
6	MS24665-71	. COTTER PIN . . . . .	02
		—*—	
7	6312170-79	. DOOR BOND ASSY . . . . .	01
8	6312170-65	. LATCH ASSY-UPR . . . . .	01
9	6312170-66	. LATCH ASSY-LWR . . . . .	01
10	6312170-75	. DRAIN TUBE . . . . .	01
11	6312170-68	. SEAL-DOOR . . . . .	01
12	6312170-17	. CHANNEL . . . . .	02
13	6312170-82	. SHIM-UPR AND LWR . . . . .	02
14	6312170-63	. SEAL CUP-UPR . . . . .	01
15	6312170-64	. SEAL CUP-LWR . . . . .	01
16	6312170-61	. CLEVIS ASSY . . . . .	02
		. ATTACHING PARTS	
17	MS35206-331	. SCREW . . . . .	02
		—*—	
- 18	MS21071L08	. NUTPLATE . . . . .	02
19	6312170-69	. BLOCK . . . . .	01
20	6312167-6	. BRACKET-STRIKER PLATE . . . . .	01
21	6312167-7	. STRIKER PLATE . . . . .	01
22	FBN122-20	. GAS SPRING EXTENDER-TAILCONE BAGGAGE DOOR FSO 2998EA . . . . . V55787	NP
- 23	2998EA	. GAS SPRING EXTENDER-TAILCONE BAGGAGE DOOR FOR SPARES . . . . . V55787	01
		. ONLY . . . . .	
		. ATTACHING PARTS	
24	A9008	. BALL STUD . . . . . V55787	02
- 25	102431	. BALL STUD-ALT FOR A9008 . . . . . V55787	02
26	A9002	. SAFETY CLIP . . . . . V55787	02
27	NAS1149F0563P	. WASHER . . . . .	04
28	S2467-2	. NUT . . . . .	01
29	MS35649-2312	. NUT . . . . .	01
		—*—	
30	6312168-10	. STRAP-EXTENDER . . . . .	01
31	6312168-6	. TEE-EXTENDER . . . . .	01
32	6312168-11	. GUSSET-EXTENDER . . . . .	01
33	6312168-12	. STRAP-EXTENDER . . . . .	01
34	6312168-9	. CHANNEL-EXTENDER . . . . .	01

- ITEM NOT ILLUSTRATED

CESSNA®  
MODEL 525 (SERIALS -0685 AND -0800 AND ON)  
ILLUSTRATED PARTS CATALOG

A87594



TAILCONE BAGGAGE DOOR  
FIGURE 02 (SHEET 2)

6310T1168  
A6312T1080A  
B6312T1016

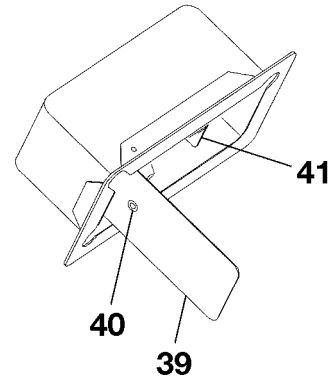
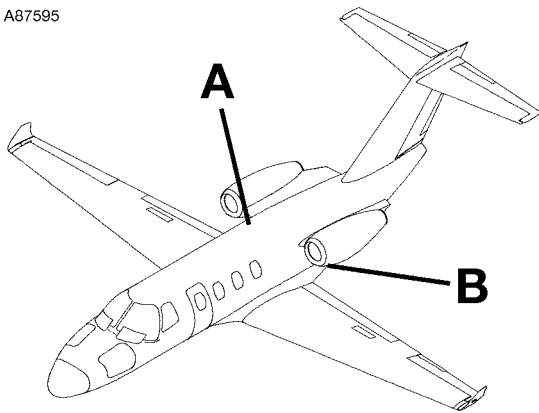
CESSNA®  
**MODEL 525 (SERIALS -0685 AND -0800 AND ON)**  
 ILLUSTRATED PARTS CATALOG

FIG ITEM	PART NUMBER	NOMENCLATURE	UNITS
			PER ASSY
		1 2 3 4 5 6 7	
02			
75	6312064-20	. ARM . . . . .	01
76	6512105-7	. LOCK WASHER . . . . .	01
77	6512105-6	. LOCK WASHER . . . . .	01
78	60W1251T129	. CAM LOCK REFER TO NOTE 1 . . . . . V56337	01
79	6513003-10	. BRACKET ASSY . . . . .	01
80	MS21069L08	. NUTPLATE . . . . .	03
81	6312064-9	. CLIP ASSY . . . . .	01
		ATTACHING PARTS	
82	MS24694-S56	. SCREW . . . . .	02
83	NAS1149F0363P	. WASHER . . . . .	02
84	MS21042L3	. NUT . . . . .	02
		—*—	
85	MS20392-2C23	. PIN . . . . .	01
86	NAS1149F0332P	. WASHER . . . . .	02
87	MS24665-134	. COTTER PIN . . . . .	02
88	4711079-2	. COVER . . . . .	01
		ATTACHING PARTS	
89	CM3922-8-7BG	. SCREW . . . . .	03
		—*—	
90	6312064-18	. ANCHOR BRACKET-INBD . . . . .	01
		ATTACHING PARTS	
91	MS27039-1-10	. SCREW . . . . .	02
92	NAS1149F0316P	. WASHER . . . . .	02
93	MS21042L3	. NUT . . . . .	02
		—*—	
94	6312064-17	. ANCHOR BRACKET-OUTBD . . . . .	01
		ATTACHING PARTS	
95	MS27039-0808	. SCREW . . . . .	02
96	NAS1149FN816P	. WASHER . . . . .	02
97	MS21042L08	. NUT . . . . .	02
		—*—	
98	6312064-21	. SHIM . . . . .	01
99	6312064-16	. BRACKET . . . . .	01
100	MS20392-2C27	. PIN . . . . .	02
101	NAS43HT3-32	. SPACER . . . . .	01
102	NAS1149F0332P	. WASHER . . . . .	01
103	MS24665-134	. COTTER PIN . . . . .	01
104	6312064-19	. LEVER . . . . .	01
105	MS27994-1	. SWITCH . . . . .	01
106	JM5	. ACTUATOR-SWITCH . . . . . V91929	01
107	MS35206-207	. SCREW . . . . .	02
108	NAS1149F0563P	. WASHER . . . . .	01
109	MS35333-35	. LOCK WASHER . . . . .	02
110	MS35649-222	. NUT . . . . .	02
111	MS25083-2BB14	. JUMPER ASSY-GROUND . . . . .	01
		ATTACHING PARTS	
112	MS24694-S3	. SCREW . . . . .	01
113	NAS1149FN816P	. WASHER . . . . .	01
114	NAS1149DN816K	. WASHER . . . . .	01
115	MS35338-42	. WASHER . . . . .	01
116	MS21042L08	. NUT . . . . .	01
117	S2209-1	. TIE-STRAP . . . . .	02
		—*—	

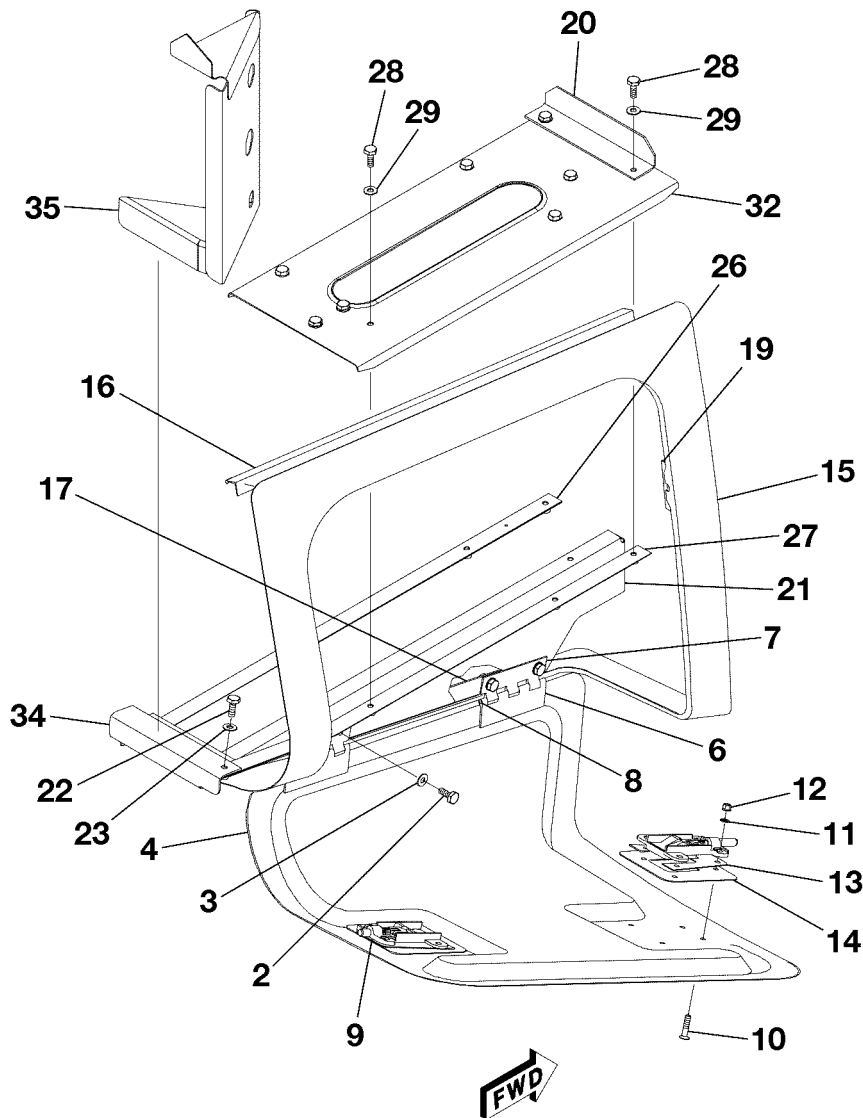
NOTE 1—KEY IDENTIFICATION TAG NUMBER AND PROOF OF OWNERSHIP (COPY OF AIRCRAFT REGISTRATION) MUST BE SUPPLIED TO OBTAIN REPLACEMENT LOCKS AND/OR KEYS.

CESSNA®  
**MODEL 525 (SERIALS -0685 AND -0800 AND ON)**  
 ILLUSTRATED PARTS CATALOG

A87595



**DETAIL B**



**DETAIL A**

HYDRAULIC AND EXTERNAL POWER DOORS  
 FIGURE 01 (SHEET 1)

6310T1168  
 A6312T1188  
 B6312T1004

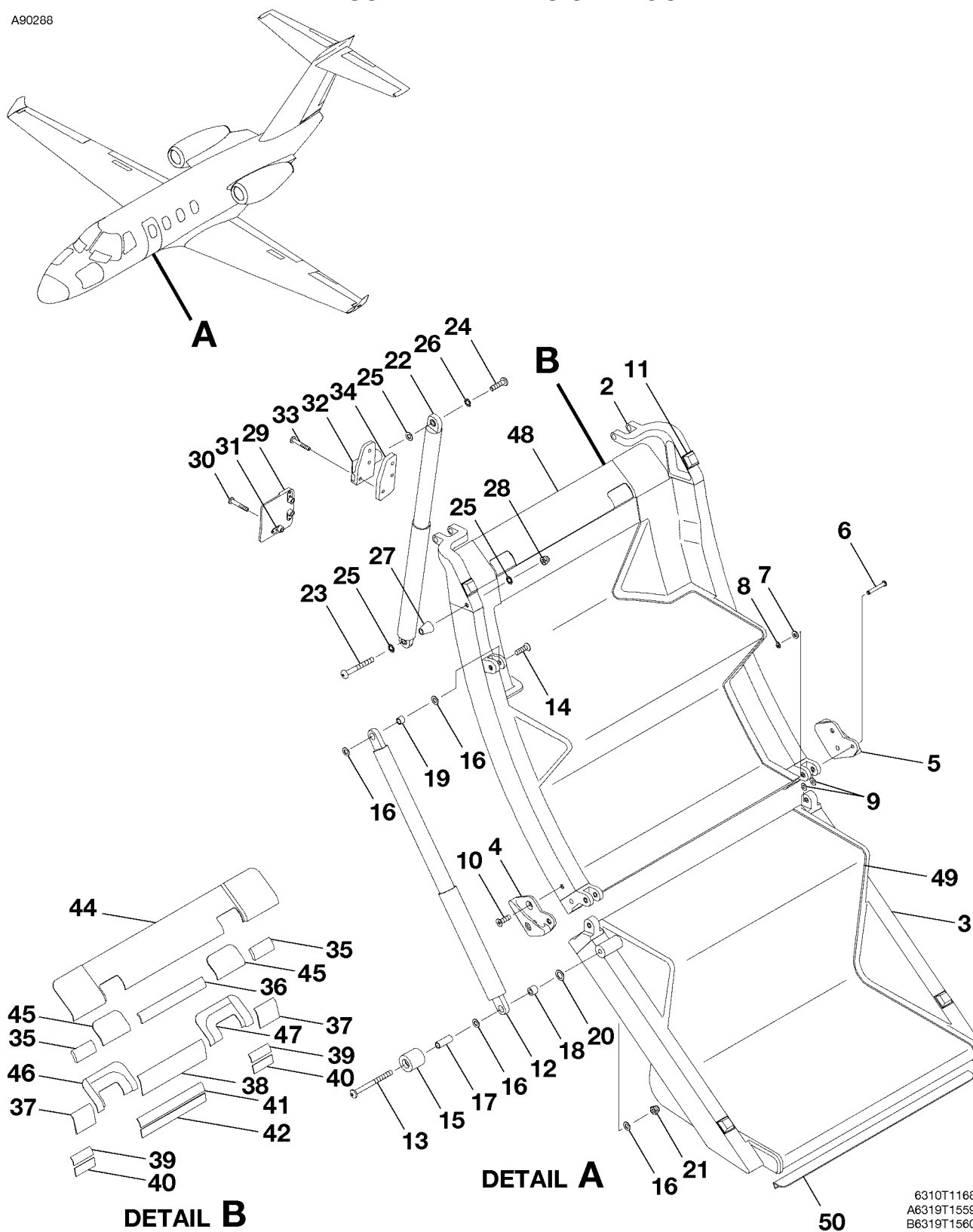
CESSNA®  
**MODEL 525 (SERIALS -0685 AND -0800 AND ON)**  
 ILLUSTRATED PARTS CATALOG

FIG ITEM	PART NUMBER	NOMENCLATURE	UNITS
			PER ASSY
01			
-		HYDRAULIC AND EXTERNAL POWER DOORS	RF
- 1	6310135-28	. DOOR ASSY-HYDRAULIC . . . . .	01
		ATTACHING PARTS	
2	AN3-4A	. BOLT . . . . .	04
3	NAS1149F0332P	. WASHER . . . . .	04
		—*—	
4	6310135-29	. . BOND ASSY-DOOR . . . . .	01
- 5	6310135-24	. . HINGE ASSY . . . . .	02
6	6310135-26	. . . HINGE HALF . . . . .	01
7	6310135-25	. . . HINGE HALF . . . . .	01
8	MS20253P2-300	. . . HINGE PIN . . . . .	01
9	91131-1	. . LATCH . . . . . V84256	02
		ATTACHING PARTS	
10	MS24694-S6	. . SCREW . . . . .	04
11	NAS1149FN832P	. . WASHER . . . . .	04
12	MS21042-08	. . NUT . . . . .	04
		—*—	
13	6310135-9	. . LATCH SPACER . . . . .	02
14	6310135-10	. . SHIM . . . . .	02
15	6310135-32	. DOUBLER . . . . .	01
16	6310135-16	. STIFFENER . . . . .	01
17	6310135-22	. HINGE SUPPORT ASSY . . . . .	01
- 18	MS21051L3	. . NUTPLATE . . . . .	04
19	6310135-31	. STRIKER PLATE . . . . .	02
20	6310135-14	. BRACKET . . . . .	01
21	6310135-52	. SUPPORT ASSY . . . . .	01
		ATTACHING PARTS	
22	AN3-4A	. BOLT . . . . .	03
23	NAS1149F0332P	. WASHER . . . . .	03
		—*—	
- 24	MS21047L3	. . NUTPLATE . . . . .	02
- 25	MS21051L3	. . NUTPLATE . . . . .	01
26	6310135-49	. SUPPORT ASSY-INBD . . . . .	01
27	6310135-46	. SUPPORT ASSY-OUTBD . . . . .	01
		ATTACHING PARTS	
28	AN3-4A	. BOLT . . . . .	04
29	NAS1149F0332P	. WASHER . . . . .	04
		—*—	
- 30	MS21047L3	. . NUTPLATE . . . . .	02
- 31	MS21051L3	. . NUTPLATE . . . . .	02
32	6310135-48	. TRAY ASSY . . . . .	01
- 33	MS21059L4	. . NUTPLATE . . . . .	04
34	6310135-40	. BRACKET . . . . .	01
35	6310135-51	. DISCONNECT ASSY . . . . .	01
- 36	6310135-41	. . SUPPORT BRACKET . . . . .	01
- 37	6310135-42	. . SUPPORT BRACKET . . . . .	01
- 38	6310135-50	. . DISCONNECT BRACKET . . . . .	01
39	6318315-8	. DOOR ASSY-EXTERNAL POWER RECEPTACLE . . . . .	01
		ATTACHING PARTS	
40	MS24694-S5	. SCREW . . . . .	03
		—*—	
41		. EXTERNAL POWER RECEPTACLE-REFER TO 24-40-00 FIGURE 01 . . . . .	RF

- ITEM NOT ILLUSTRATED

CESSNA®  
**MODEL 525 (SERIALS -0685 AND -0800 AND ON)**  
 ILLUSTRATED PARTS CATALOG

A90288



CABIN DOOR STEPS  
 FIGURE 01 (SHEET 1)

6310T1168  
 A6319T1559  
 B6319T1560

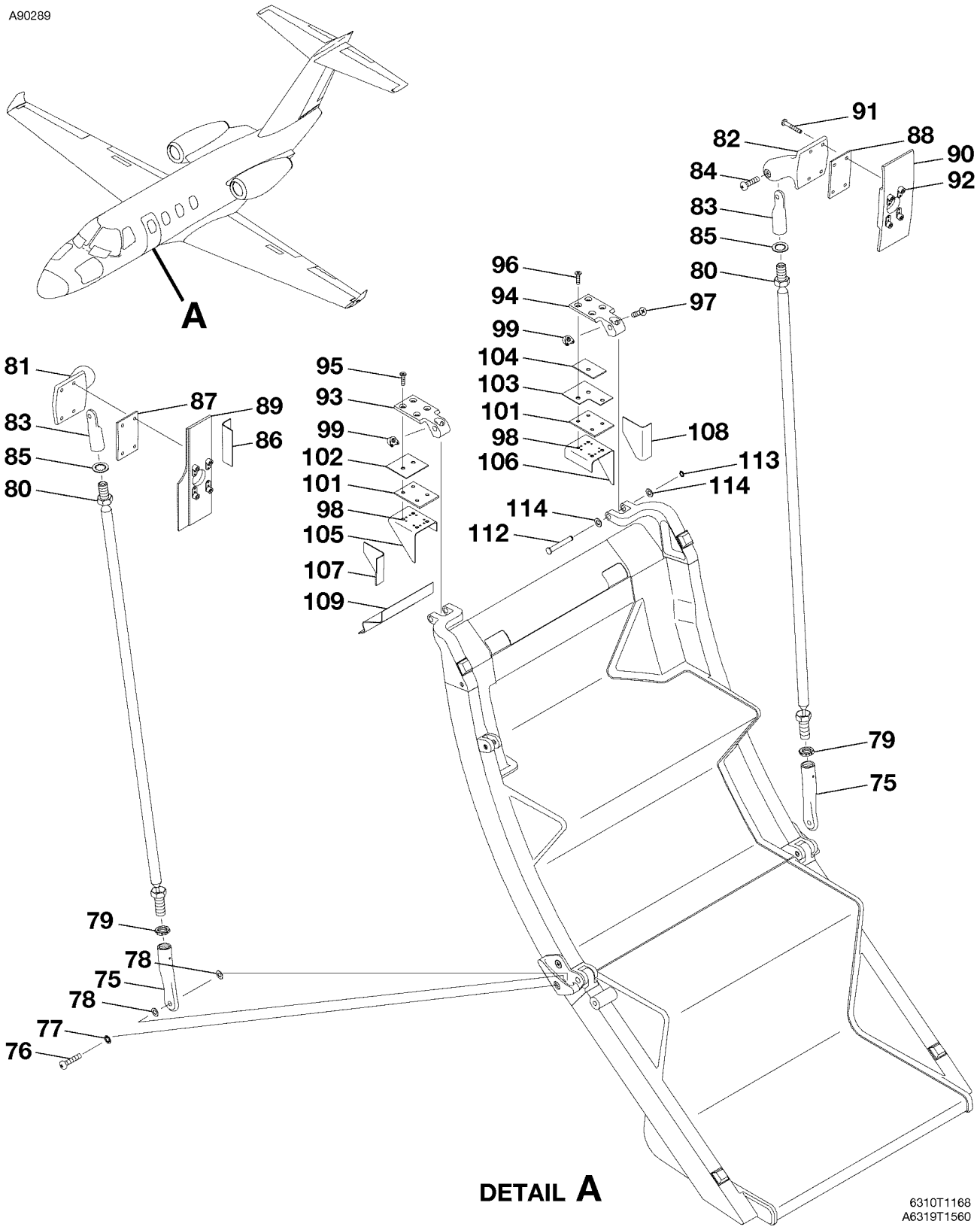


CESSNA®  
**MODEL 525 (SERIALS -0685 AND -0800 AND ON)**  
 ILLUSTRATED PARTS CATALOG

FIG ITEM	PART NUMBER	NOMENCLATURE	UNITS
			PER ASSY
01		CABIN DOOR STEPS	RF
-		. ENTRY STEP ASSY . . . . .	01
1	4717238-24	. . BOND ASSY-UPR . . . . .	01
2	4717238-26	. . BOND ASSY-LWR . . . . .	01
3	4717238-25	. . ATTACH FITTING-FWD . . . . .	01
4	4717238-5	. . ATTACH FITTING-AFT . . . . .	01
5	4717238-6	. . ATTACHING PARTS	
6	4717238-23	. . HINGE PIN . . . . .	01
7	NAS1149F0363P	. . WASHER . . . . .	01
8	MS3215-4018	. . RETAINING RING . . . . .	01
9	S1438-53	. . WASHER . . . . .	02
10	MS24694-S99	. . SCREW . . . . .	01
		—*—	
11	SJ5023	. BUMPER . . . . . V26066	08
12	6519497-2	. RATE CONTROL-LWR . . . . .	01
		. ATTACHING PARTS	
13	MS27039-4-48	. SCREW . . . . .	01
14	MS24694-S100	. SCREW . . . . .	01
15	4717238-17	. BUMPER . . . . .	01
16	NAS1149F0432P	. WASHER . . . . .	04
17	NAS75-4-027	. BUSHING . . . . .	01
18	NAS43HT4-25	. SPACER . . . . .	01
19	NAS43HT4-19	. SPACER . . . . .	01
20	NAS1149F0632P	. WASHER . . . . .	02
21	S3922S5	. NUT . . . . .	01
		—*—	
22	6519497-6	. RATE CONTROL-UPR . . . . .	01
		. ATTACHING PARTS	
23	MS27039-4-33	. SCREW . . . . .	01
24	MS27039-4-15	. SCREW . . . . .	01
25	MS35333-40	. LOCK WASHER . . . . .	03
26	NAS1149F0432P	. WASHER . . . . .	01
27	4717238-3	. SPACER . . . . .	01
28	S3922S5	. NUT . . . . .	01
		—*—	
29	6311095-2	. RATE CONTROL FITTING-FWD . . . . .	01
		. ATTACHING PARTS	
30	MS27039-1-12	. SCREW . . . . .	03
31	MS21071L3	. NUTPLATE . . . . .	03
		—*—	
32	6311095-3	. RATE CONTROL SUPPORT ASSY-AFT . . . . .	01
		. ATTACHING PARTS	
33	MS27039-1-20	. SCREW . . . . .	03
34	6311095-5	. INSULATOR . . . . .	01
		—*—	
35	6519520-14	. SPACER-OUTBD . . . . .	02
36	6519520-13	. SPACER-INBD . . . . .	01
37	6519520-8	. STRIP HINGE-OUTBD . . . . .	02
38	6519520-7	. STRIP HINGE-CTR . . . . .	01
39	6519520-10	. BACKUP STRIP-UPR OUTBD . . . . .	02
40	6519520-12	. BACKUP STRIP-LWR OUTBD . . . . .	02
41	6519520-9	. BACKUP STRIP-UPR CTR . . . . .	01
42	6519520-11	. BACKUP STRIP-LWR CTR . . . . .	01
-	6519520-2	. THRESHOLD CLOSEOUT ASSY . . . . .	01
44	6519520-3	. CLOSEOUT . . . . .	01
45	6519520-4	. WINDOW . . . . .	02
46	6519520-5	. WINDOW FRAME-FWD . . . . .	01
47	6519520-6	. WINDOW FRAME-AFT . . . . .	01
48	6519692-12	. STEP MAT-UPR BLACK . . . . .	01
49	6519692-11	. STEP MAT-LWR BLACK . . . . .	01
50	4819448-5	. TRIM-STEP MAT . . . . .	01

CESSNA®  
MODEL 525 (SERIALS -0685 AND -0800 AND ON)  
ILLUSTRATED PARTS CATALOG

A90289



CABIN DOOR STEPS  
FIGURE 01 (SHEET 2)

6310T1168  
A6319T1560

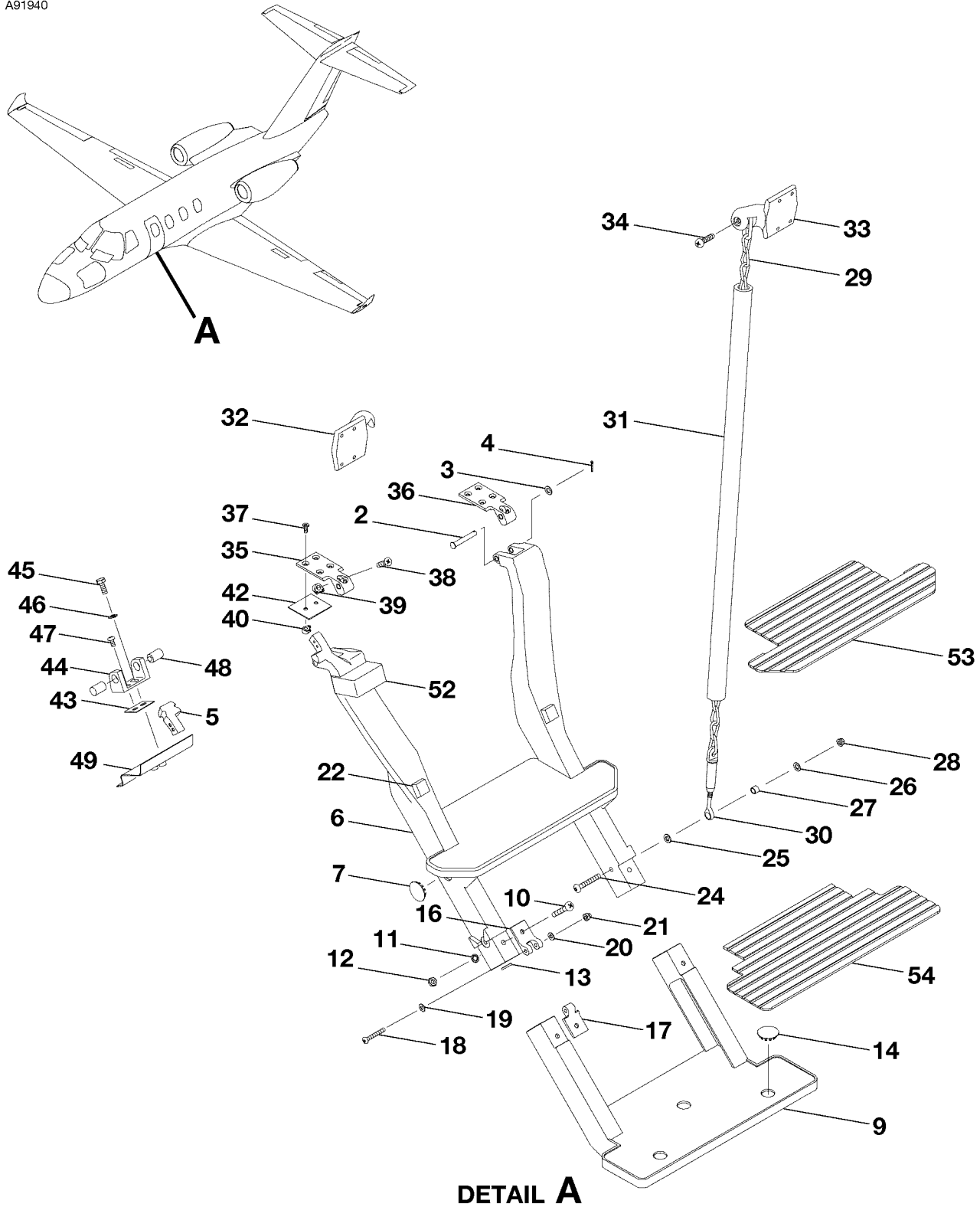
CESSNA®  
**MODEL 525 (SERIALS -0685 AND -0800 AND ON)**  
 ILLUSTRATED PARTS CATALOG

FIG ITEM	PART NUMBER	NOMENCLATURE	UNITS	
			PER	ASSY
01				
75	4717238-19	. FITTING-LWR . . . . . ATTACHING PARTS		02
76	MS27039-4-17	. SCREW . . . . .		01
77	MS35333-40	. LOCK WASHER . . . . .		01
78	NAS1149F0416P	. WASHER . . . . .		02
79	NAS1423C8	. NUT . . . . . —*—		01
80	4717238-12	. CABLE ASSY . . . . .		02
81	6519498-17	. CABLE SUPPORT-FWD . . . . .		01
82	6519498-18	. CABLE SUPPORT-AFT . . . . .		01
83	4717238-13	. FITTING-UPR . . . . . ATTACHING PARTS		02
84	MS27039-4-17	. SCREW . . . . .		01
85	MS35333-78	. LOCK WASHER . . . . . —*—		01
86	6311095-10	. ANGLE-FWD . . . . .		01
87	4719074-3	. ISOLATOR-FWD . . . . .		01
88	4719074-2	. ISOLATOR-AFT . . . . .		01
89	6311095-8	. FITTING-FWD . . . . .		01
90	6311095-9	. FITTING-AFT . . . . . ATTACHING PARTS		01
91	MS27039-1-20	. SCREW . . . . .		04
92	MS21071L3	. NUTPLATE . . . . . —*—		04
93	6511298-1	. HINGE ASSY-FWD FSO 6511298-5 . . . . .	0800	0817 NP
- 93A	6511298-5	. HINGE ASSY-FWD . . . . .	0818	& ON 01
94	6511298-2	. HINGE ASSY-AFT FSO 6511298-6 . . . . .	0800	0817 NP
- 94A	6511298-6	. HINGE ASSY-AFT . . . . . ATTACHING PARTS	0818	& ON 01
95	MS24694-S53	. SCREW-FWD . . . . .		04
96	MS24694-S54	. SCREW-AFT . . . . .		04
97	MS24694-S102	. SCREW . . . . .		01
98	MS21073L3	. NUTPLATE . . . . .		04
99	MS21073L4	. NUTPLATE . . . . . —*—		01
- 100	S1003-9A	. BEARING . . . . .		02
101	5511244-63	. SHIM . . . . .		02
102	5511244-49	. SHIM-FWD . . . . .		01
103	5511244-50	. SHIM-AFT . . . . .		01
104	5511244-51	. SHIM-AFT . . . . .		01
105	6519009-73	. BRACKET-FWD . . . . .		01
106	5511244-98	. BRACKET-AFT . . . . .		01
107	6519009-72	. CLIP-FWD . . . . .		01
108	5511244-97	. CLIP-AFT . . . . .		01
109	6519009-60	. STOP BRACKET ASSY-FWD . . . . .		01
- 110	MS21069L4	. NUTPLATE . . . . .		01
- 111	MS21072L3	. NUTPLATE . . . . .		01
112	6519496-16	. HINGE PIN-UPR . . . . .		02
113	MS16624-1025	. RING . . . . .		02
114	NAS1149F0432P	. WASHER . . . . .		04

- ITEM NOT ILLUSTRATED

CESSNA®  
MODEL 525 (SERIALS -0685 AND -0800 AND ON)  
ILLUSTRATED PARTS CATALOG

A91940



ENTRY LADDER INSTALLATION  
FIGURE 02 (SHEET 1)

6310T1168  
A6311T1228

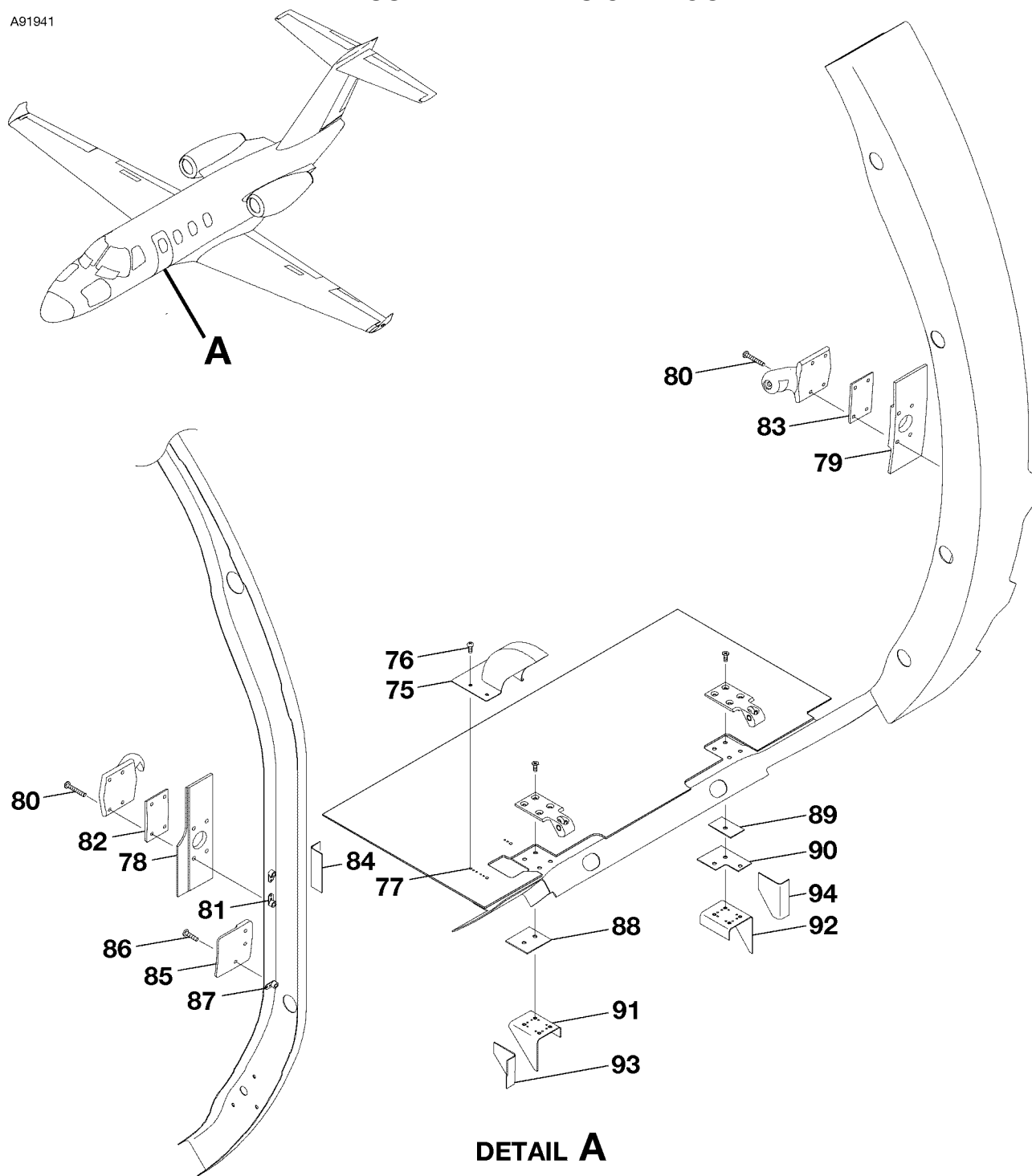
CESSNA®  
**MODEL 525 (SERIALS -0685 AND -0800 AND ON)**  
 ILLUSTRATED PARTS CATALOG

FIG ITEM	PART NUMBER	NOMENCLATURE	UNITS
			PER ASSY
02		ENTRY LADDER INSTALLATION	RF
- 1	6519009-75	. STEP ASSY . . . . .	01
		ATTACHING PARTS	
2	MS20392-3C51	. PIN . . . . .	02
3	NAS1149F0432P	. WASHER . . . . .	02
4	MS24665-208	. COTTER PIN . . . . .	02
		—*—	
5	5511244-67	. . DETENT . . . . .	01
6	6319040-3	. . STEP ASSY-UPPER . . . . .	01
7	CM2692-24-2S	. . . PLUG BUTTON . . . . .	06
- 8	S1003-9A	. . BEARING . . . . .	04
9	6519009-61	. . STEP-LOWER . . . . .	01
		ATTACHING PARTS	
10	MS27039-4-25	. . SCREW . . . . .	04
11	MS35333-40	. . WASHER-LOCK, FLAT . . . . .	04
12	AN316-4R	. . NUT . . . . .	04
		—*—	
13	6519009-66	. . STOP . . . . .	02
14	CM2692-28-4S	. . PLUG BUTTON . . . . .	03
- 15	6519009-70	. . HINGE ASSY . . . . .	02
16	6519009-68	. . HINGE HALF . . . . .	01
17	6519009-69	. . HINGE HALF . . . . .	01
		ATTACHING PARTS	
18	6519009-65	. . SCREW . . . . .	01
19	NAS1149F0332P	. . WASHER . . . . .	01
20	NAS1149F0363P	. . WASHER . . . . .	01
21	S1914-7	. . NUT . . . . .	01
		—*—	
22	SJ-5023	. PROTECTIVE STOP . . . . . V26066	02
- 23	4819717-1	. SUPPORT ASSY . . . . .	02
		ATTACHING PARTS	
24	NAS623-4-21	. SCREW . . . . .	01
25	NAS1149F0463P	. WASHER . . . . .	01
26	NAS1149F0432P	. WASHER . . . . .	01
27	NAS43HT4-17	. SPACER . . . . .	01
28	MS21042-4	. NUT . . . . .	01
		—*—	
29	4819717-2	. . CHAIN ASSY . . . . .	01
30	6519009-9	. . EYE BOLT ASSY . . . . .	01
31	4819719-4	. COVER ASSY . . . . .	01 R
32	5511244-88	. FITTING-FWD . . . . .	01
33	5511244-87	. FITTING-AFT . . . . .	01
		ATTACHING PARTS	
34	MS27039-4-20	. SCREW . . . . .	01
		—*—	
35	5511244-45	. HINGE ASSY-FWD . . . . .	01
36	5511244-44	. HINGE ASSY-AFT . . . . .	01
		ATTACHING PARTS	
37	MS24694-S49	. SCREW . . . . .	04
38	MS24694-S102	. SCREW . . . . .	01
39	MS21073L3	. NUTPLATE . . . . .	04
40	MS21073L4	. NUTPLATE . . . . .	01
		—*—	
- 41	S1003-9A	. . BEARING . . . . .	03
42	5511244-63	. SHIM . . . . .	02
43	5511244-69	. SHIM . . . . .	01
44	5511244-68	. DETENT LATCH . . . . .	01
		ATTACHING PARTS	
45	AN4-5A	. BOLT . . . . .	01
46	NAS1149F0332P	. WASHER . . . . .	01
47	MS27039-1-06	. SCREW . . . . .	01
		—*—	
48	CL71SPS1	. SPRING PLUNGER . . . . . V99862	02
49	6519009-60	. STOP BRACKET ASSY-FWD . . . . .	01
- 50	MS21069L4	. . NUTPLATE . . . . .	01
- 51	MS21072L3	. . NUTPLATE . . . . .	01
52	5511252-2	. BUMPER . . . . .	01
53	4711090-5	. STEP MAT-UPPER . . . . .	01
54	4819719-3	. STEP MAT-LOWER . . . . .	01

- ITEM NOT ILLUSTRATED

CESSNA®  
MODEL 525 (SERIALS -0685 AND -0800 AND ON)  
ILLUSTRATED PARTS CATALOG

A91941



ENTRY LADDER INSTALLATION  
FIGURE 02 (SHEET 2)

6310T1168  
A6311T1229

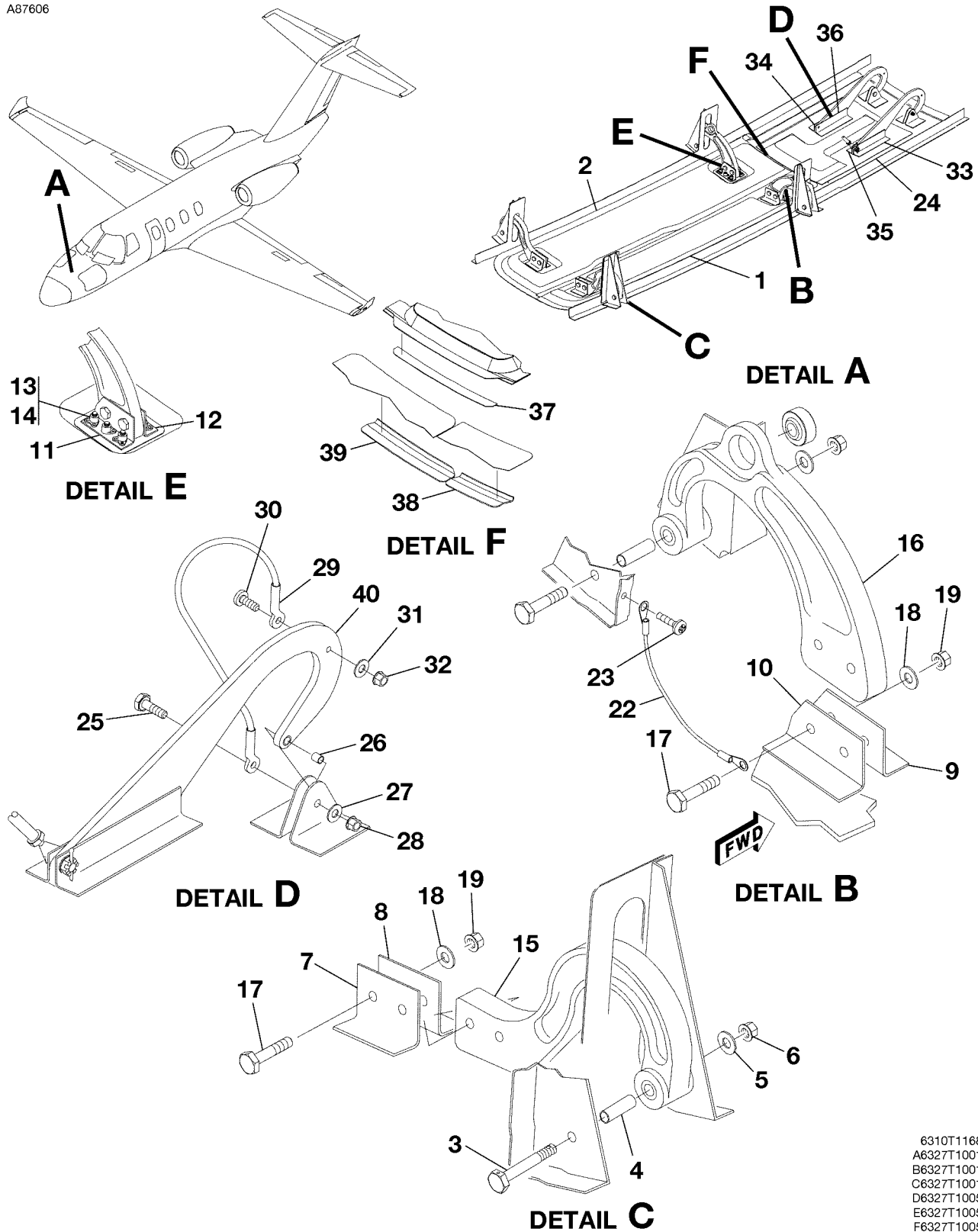
CESSNA®  
**MODEL 525 (SERIALS -0685 AND -0800 AND ON)**  
 ILLUSTRATED PARTS CATALOG

FIG ITEM	PART NUMBER	NOMENCLATURE	UNITS
			PER ASSY
02			
75	6319037-5	. CATCH COVER . . . . . ATTACHING PARTS	01
76	MS35206-245	. SCREW . . . . .	03
77	MS21071L08	. NUTPLATE . . . . . —*—	03
78	6311095-8	. FITTING-FWD . . . . .	01
79	6311095-9	. FITTING-AFT . . . . . ATTACHING PARTS	01
80	MS27039-1-20	. SCREW . . . . .	04
81	MS21071L3	. NUTPLATE . . . . . —*—	04
82	4719074-3	. ISOLATOR-FWD . . . . .	01
83	4719074-2	. ISOLATOR-AFT . . . . .	01
84	6311095-10	. ANGLE-FWD . . . . .	01
85	6311095-2	. RC FITTING-FWD . . . . . ATTACHING PARTS	01
86	MS27039-1-12	. SCREW . . . . .	03
87	MS21071L3	. NUTPLATE . . . . . —*—	03
88	5511244-49	. SHIM-FWD . . . . .	01
89	5511244-50	. SHIM-AFT . . . . .	01
90	5511244-51	. SHIM-AFT . . . . .	01
91	6519009-73	. BRACKET-FWD . . . . .	01
92	5511244-98	. BRACKET-AFT . . . . .	01
93	6519009-72	. CLIP-FWD . . . . .	01
94	5511244-97	. CLIP-AFT . . . . .	01
- 95	6519009-60	. STOP BRACKET ASSY-FWD . . . . .	01
- 96	MS21069L4	. . NUTPLATE . . . . .	01
- 97	MS21072L3	. . NUTPLATE . . . . .	01

- ITEM NOT ILLUSTRATED

CESSNA®  
**MODEL 525 (SERIALS -0685 AND -0800 AND ON)**  
 ILLUSTRATED PARTS CATALOG

A87606



LANDING GEAR DOORS  
 FIGURE 01 (SHEET 1)

6310T1168  
 A6327T1001  
 B6327T1001  
 C6327T1001  
 D6327T1005  
 E6327T1005  
 F6327T1005



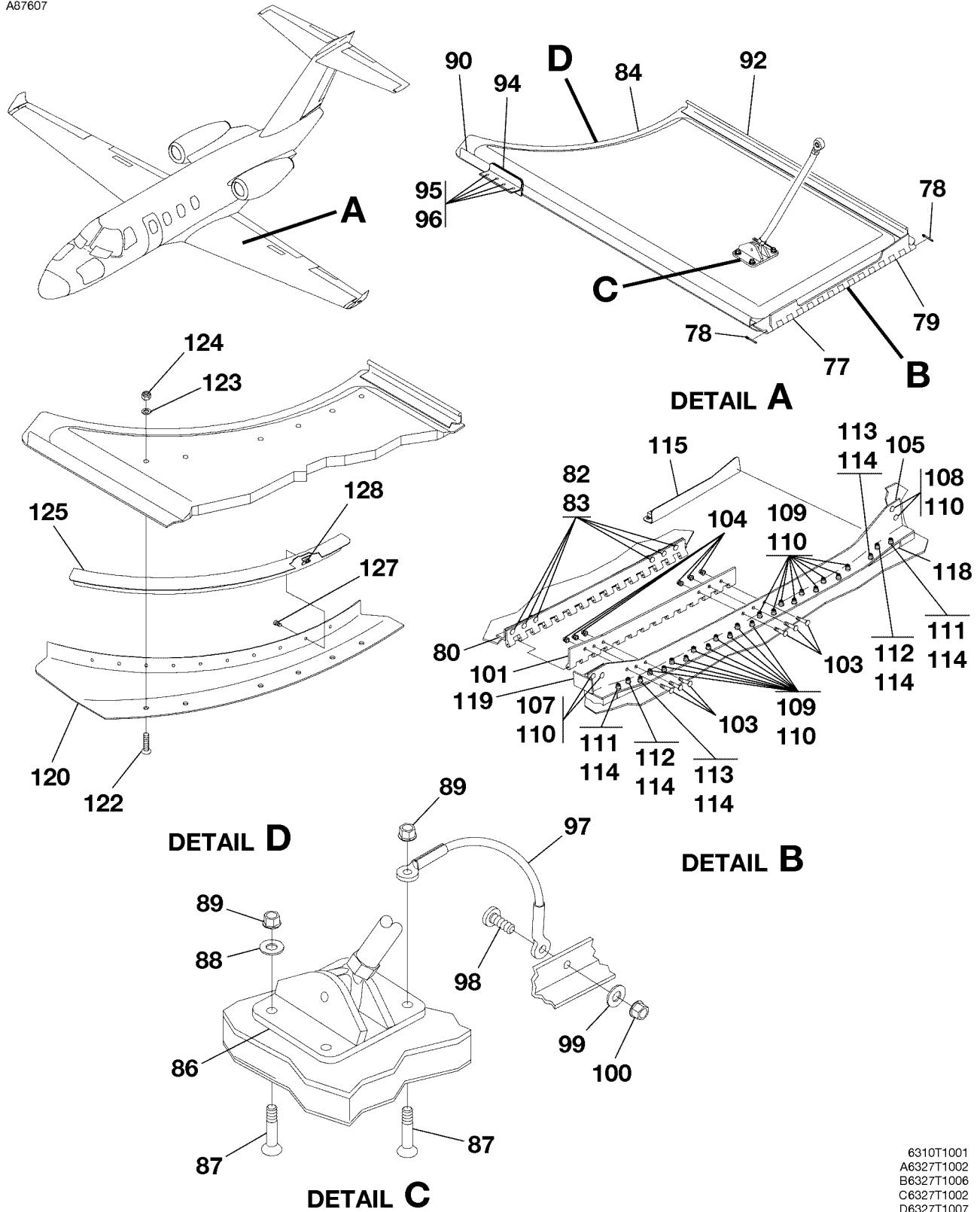
CESSNA®  
**MODEL 525 (SERIALS -0685 AND -0800 AND ON)**  
 ILLUSTRATED PARTS CATALOG

FIG ITEM	PART NUMBER	NOMENCLATURE	UNITS
			PER ASSY
		1 2 3 4 5 6 7	
01		LANDING GEAR DOORS	RF
-			
1	7113057-3	. DOOR BOND ASSY-LH	01
2	7113057-4	. DOOR BOND ASSY-RH	01
		ATTACHING PARTS	
3	AN3-12A	. BOLT	02
4	S133-3P.781	. SPACER	02
5	NAS1149F0332P	. WASHER	02
6	MS21042L3	. NUT	02
		—*—	
7	5513070-2	. BRACKET	02
8	5513070-11	. BRACKET	02
9	5513070-5	. BRACKET-LH FWD	01
10	5513070-3	. BRACKET-LH AFT	01
11	7113058-1	. BRACKET-RH FWD	01
12	7113058-2	. BRACKET-RH AFT	01
		ATTACHING PARTS	
13	MS24694-S4	. SCREW	03
14	MS21073-08	. NUTPLATE	03
		—*—	
15	5513051-1	. HINGE ASSY-FWD	02
16	5513051-2	. HINGE ASSY-AFT	02
		ATTACHING PARTS	
17	AN3-7A	. BOLT	02
18	NAS1149F0332P	. WASHER	02
19	MS21042L3	. NUT	02
		—*—	
- 20	S1003-23A	. BEARING	01
- 21	MS14104-4	. BEARING-AFT HINGE ONLY	01
22	MS25083-2BB8	. JUMPER ASSY	02
		ATTACHING PARTS	
23	MS35206-245	. SCREW	01
		—*—	
24	7113057-5	. DOOR BOND ASSY-SPADE	01
		ATTACHING PARTS	
25	AN3-5A	. BOLT	02
26	S133-3P.250	. SPACER	02
27	NAS1149F0332P	. WASHER	02
28	MS21042L3	. NUT	02
		—*—	
29	MS25083-2AB7	. JUMPER ASSY-SPADE DOOR	01
		ATTACHING PARTS	
30	MS35206-230	. SCREW	01
31	NAS1149FN616P	. WASHER	01
32	MS21042L06	. NUT	01
		—*—	
33	5513070-7	. BRACKET-LH FWD OUTBOARD HINGE	01
34	5513070-8	. BRACKET-RH FWD OUTBOARD HINGE	01
35	5513070-9	. BRACKET-LH FWD INBOARD HINGE	01
36	5513070-10	. BRACKET-RH FWD INBOARD HINGE	01
37	7113058-3	. RUB BLOCK	01
38	7113058-15	. DEFLECTOR-LH	01
39	7113058-16	. DEFLECTOR-RH	01
40	5513060-5	. HINGE ASSY-SPADE DOOR	02
- 41	S1003-16A	. BEARING	01

- ITEM NOT ILLUSTRATED

CESSNA®  
**MODEL 525 (SERIALS -0685 AND -0800 AND ON)**  
 ILLUSTRATED PARTS CATALOG

A87607



LANDING GEAR DOORS  
 FIGURE 01 (SHEET 2)

6310T1001  
 A6327T1002  
 B6327T1006  
 C6327T1002  
 D6327T1007

CESSNA®  
**MODEL 525 (SERIALS -0685 AND -0800 AND ON)**  
 ILLUSTRATED PARTS CATALOG

FIG ITEM	PART NUMBER	NOMENCLATURE	UNITS PER ASSY		
		1 2 3 4 5 6 7			
01					
- 75	6327000-69	. GEAR DOOR ASSY-LH MAIN GEAR . . . . .			01
- 76	6327000-70	. GEAR DOOR ASSY-RH MAIN GEAR . . . . .			01
		ATTACHING PARTS			
77	MS20253P2-1380L	. HINGE PIN . . . . .			01
78	MS24665-283	. COTTER PIN . . . . .			02
		—*—			
79	6327000-45	. HINGE HALF . . . . .			02
80	6327000-15	. HINGE BRACKET-LH . . . . .			01
- 81	6327000-16	. HINGE BRACKET-RH . . . . .			01
		ATTACHING PARTS			
82	HL13VBJ5-4	. PIN-HI-LOK . . . . . V73197			06
83	HL70-5	. COLLAR-HI-LOK . . . . . V73197			06
		—*—			
84	6327000-61	. DOOR BOND ASSY-LH . . . . .			01
- 85	6327000-62	. DOOR BOND ASSY-RH . . . . .			01
86	6327000-17	. BRACKET DOOR-LINKAGE ATTACH . . . . .			01
		ATTACHING PARTS			
87	MS24694-S60	. SCREW . . . . .			04
88	NAS1149F0363P	. WASHER . . . . .			04
89	MS21042L3	. NUT . . . . .			04
		—*—			
90	6327000-13	. STIFFENER-LH FWD . . . . .			01
- 91	6327000-14	. STIFFENER-RH FWD . . . . .			01
92	6327000-23	. STIFFENER-LH AFT . . . . .			01
- 93	6327000-24	. STIFFENER-RH AFT . . . . .			01
94	6327000-49	. RUB STRIP ASSY . . . . .			02
		ATTACHING PARTS			
95	HL11VBJ5-11	. PIN-HI-LOK . . . . . V73197			04
96	HL70-5	. COLLAR-HI-LOK . . . . . V73197			04
		—*—			
97	MS25083-2BB14	. JUMPER ASSY . . . . .			02
		ATTACHING PARTS			
98	MS24694S54	. SCREW . . . . .			01
99	NAS1149F0363P	. WASHER . . . . .			01
100	MS21042-3	. NUT . . . . .			01
		—*—			
101	6322034-13	. HINGE HALF-LH . . . . .			01
- 102	6322034-14	. HINGE HALF-RH . . . . .			01
		ATTACHING PARTS			
103	HL13VBJ5-4	. PIN-HI-LOK . . . . .			06
104	HL70-5	. COLLAR . . . . .			06
		—*—			
105	6322034-3	. ANGLE-LH . . . . .	0001	0984	01 R
- 105A	6322034-17	. RIB CAP-WS 79.000 LH . . . . .	0985	& ON	01 R
- 106	6322034-4	. ANGLE-RH . . . . .	0001	0984	01 R
- 106A	6322034-18	. RIB CAP-WS 79.000 RH . . . . .	0985	& ON	01 R
		ATTACHING PARTS			
107	HL10VBJ5-3	. PIN-HI-LOK . . . . . V73197			02
108	HL10VBJ5-4	. PIN-HI-LOK . . . . . V73197			02
109	HL11VBJ5-3	. PIN-HI-LOK . . . . . V73197			19
110	HL70-5	. COLLAR-HI-LOK . . . . . V73197			23
111	HL11VBJ5-8	. PIN-HI-LOK . . . . . V73197			02
112	HL11VBJ5-7	. PIN-HI-LOK . . . . . V73197			02
113	HL11VBJ5-5	. PIN-HI-LOK . . . . . V73197			02
114	HL75DU5ADW	. COLLAR-HI-LOK . . . . . V73197			06
		—*—			
115	6322034-7	. ANGLE ASSY-LH . . . . .			01
- 116	6322034-8	. ANGLE ASSY-RH . . . . .			01
- 117	MS21059L3	. NUTPLATE . . . . .			05
118	6322034-12	. FILLER . . . . .			04
119	6322034-11	. TEE . . . . .			02
120	6322013-5	. MLG DOOR FAIRING-LH . . . . .			01
- 121	6322013-6	. MLG DOOR FAIRING-RH . . . . .			01
		ATTACHING PARTS			
122	MS24694-C12	. SCREW . . . . .			06
123	NAS1149FN832P	. WASHER . . . . .			06
124	MS21044N08	. NUT . . . . .			06
		—*—			
125	6322013-7	. DOOR FAIRING ATTACH ANGLE-LH . . . . .			01
- 126	6322013-8	. DOOR FAIRING ATTACH ANGLE-RH . . . . .			01
		ATTACHING PARTS			
127	MS24693-C4	. SCREW . . . . .			10
128	MS21069L04	. NUTPLATE . . . . .			10
		—*—			

- ITEM NOT ILLUSTRATED



**CHAPTER**

**53**

**FUSELAGE**



CESSNA®  
**MODEL 525 (SERIALS -0685 AND -0800 AND ON)**  
 ILLUSTRATED PARTS CATALOG

<b>CHAPTER SECTION SUBJECT</b>		<b>NUMBER OF PAGES</b>	<b>DATE</b>
53 - TITLE			
53 - LIST OF EFFECTIVE PAGES			
53 - RECORD OF TEMPORARY REVISIONS			
53 - TABLE OF CONTENTS			
53-10-00	Figure 01	6	Nov 1/2013
53-10-00	Figure 02	8	Nov 1/2013
53-10-00	Figure 03	2	Nov 1/2013
53-10-00	Figure 04	2	Nov 1/2013
53-10-01	Figure 01	2	Jul 1/2014
53-11-00	Figure 01	4	Jun 1/2018
53-11-00	Figure 01A	6	Jun 1/2018
53-11-00	Figure 02	4	Dec 1/2015
53-11-00	Figure 02A	4	Dec 1/2015
53-11-00	Figure 03	2	Dec 1/2015
53-12-00	Figure 01	2	Jun 1/2015
53-20-00	Figure 01	6	Dec 1/2015
53-20-00	Figure 02	6	Nov 1/2013
53-20-01	Figure 01	4	Dec 1/2015
53-20-02	Figure 01	2	Nov 1/2013
53-20-03	Figure 01	8	Dec 1/2015
53-20-04	Figure 01	4	Jun 1/2015
53-20-06	Figure 01	2	Nov 1/2013
53-20-07	Figure 01	8	Dec 1/2017
53-20-08	Figure 01	2	Nov 1/2013
53-21-00	Figure 01	6	Jun 1/2016
53-21-00	Figure 02	4	Nov 1/2013
53-21-00	Figure 03	2	Nov 1/2013
53-21-00	Figure 04	4	Dec 1/2015
53-21-00	Figure 05	2	Jun 1/2017
53-22-00	Figure 01	2	Nov 1/2013
53-23-00	Figure 01	2	Nov 1/2013
53-24-00	Figure 01	2	Nov 1/2013
53-25-00	Figure 01	2	Dec 1/2017
53-30-00	Figure 01	4	Nov 1/2013
53-30-00	Figure 02	2	Nov 1/2013
53-30-00	Figure 03	2	Nov 1/2013
53-30-00	Figure 04	2	Nov 1/2013
53-40-00	Figure 01	6	Nov 1/2013
53-40-00	Figure 02	6	Jun 1/2016
53-40-00	Figure 03	8	Jun 1/2015
53-50-00	Figure 01	4	Nov 1/2013
53-50-00	Figure 02	8	Nov 1/2013







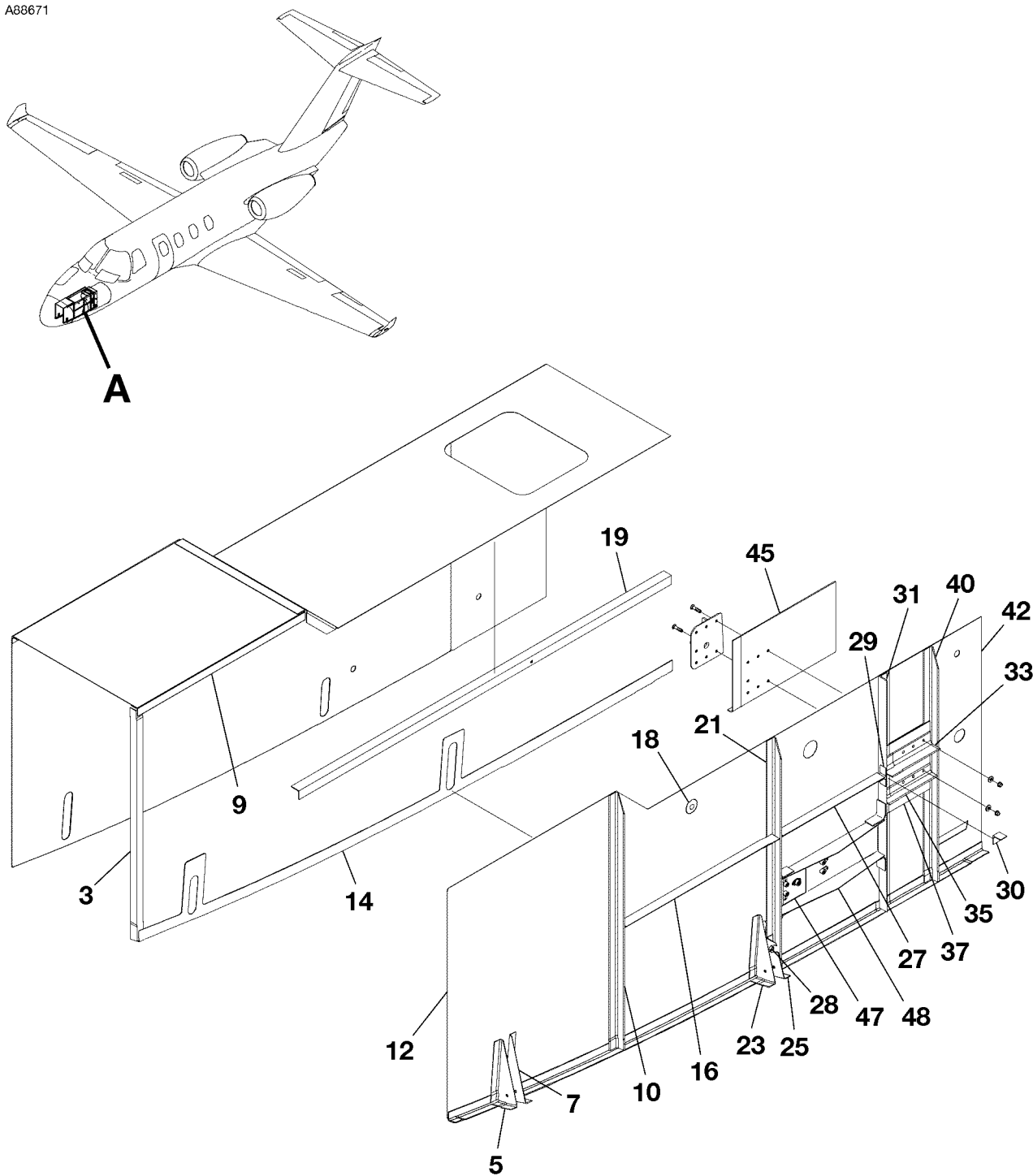


CESSNA®  
**MODEL 525 (SERIALS -0685 AND -0800 AND ON)**  
 ILLUSTRATED PARTS CATALOG

<u>SUBJECT</u>	<u>CHAPTER SECTION SUBJECT</u>	<u>FIGURE</u>	<u>EFFECTIVITY</u>	
			<u>START</u>	<u>END</u>
NOSE WHEELWELL INSTALLATION	53-10-00	01		
NOSE STRUCTURE INSTALLATION	53-10-00	02		
NOSE STRINGER INSTALLATION	53-10-00	03		
NOSE LANDING GEAR (NLG) ACTUATOR SUPPORT STRUCTURE INSTALLATION	53-10-00	04		
NOSE BALLAST INSTALLATION	53-10-01	01	0801	& ON
NOSE BAGGAGE COMPARTMENT FLOOR	53-11-00	01		
NOSE BAGGAGE COMPARTMENT FLOOR - USED WITH DROPPED FLOOR	53-11-00	01A	0800	0801
NOSE BAGGAGE COMPARTMENT DIVIDERS	53-11-00	02		
NOSE BAGGAGE COMPARTMENT DIVIDERS - USED WITH DROPPED FLOOR	53-11-00	02A	0800	0801
AVIONICS COVER - NOSE	53-11-00	03		
RADOME INSTALLATION	53-12-00	01		
FORWARD PRESSURE BULKHEAD	53-20-00	01		
AFT PRESSURE BULKHEAD	53-20-00	02		
INSTRUMENT PANEL SUPPORTS	53-20-01	01		
FORWARD CABIN STRINGER INSTALLATION	53-20-02	01		
FORWARD CABIN STRUCTURE INSTALLATION	53-20-03	01		
CONTROL PEDESTAL	53-20-04	01		
AFT CABIN STRINGER INSTALLATION	53-20-06	01		
AFT CABIN STRUCTURE INSTALLATION	53-20-07	01		
VERTICAL BEAM INSTALLATION	53-20-08	01		
CABIN FLOORBOARDS	53-21-00	01		
CABIN FLOORBOARD SUPPORT INSTALLATION	53-21-00	02		
CABIN DOOR THRESHOLD	53-21-00	03		
SEAT TRACK STRUCTURE	53-21-00	04		
OBSERVER'S PLATFORM INSTALLATION	53-21-00	05	0940	& ON
AFT CABIN COVERS	53-22-00	01		
DRAINS - FUSELAGE MOISTURE	53-23-00	01		
FUSELAGE SKINS	53-24-00	01		
WINDOW LONGERON INSTALLATION	53-25-00	01		
AFT BAGGAGE COMPARTMENT	53-30-00	01		
AFT BAGGAGE COMPARTMENT FLOOR	53-30-00	02		
AFT BAGGAGE COMPARTMENT CEILING	53-30-00	03		
STRINGER INSTALLATION	53-30-00	04		
TAILCONE STRINGERS INSTALLATION	53-40-00	01		
TAILCONE BULKHEADS INSTALLATION	53-40-00	02		
TAILCONE STRUCTURE INSTALLATION	53-40-00	03		
FITTINGS - WING ATTACH	53-50-00	01		
FAIRINGS - FUSELAGE AERODYNAMIC	53-50-00	02		

CESSNA®  
MODEL 525 (SERIALS -0685 AND -0800 AND ON)  
ILLUSTRATED PARTS CATALOG

A88671



**DETAIL A**

NOSE WHEELWELL INSTALLATION  
FIGURE 01 (SHEET 1)

6310T1168  
A7313T1015

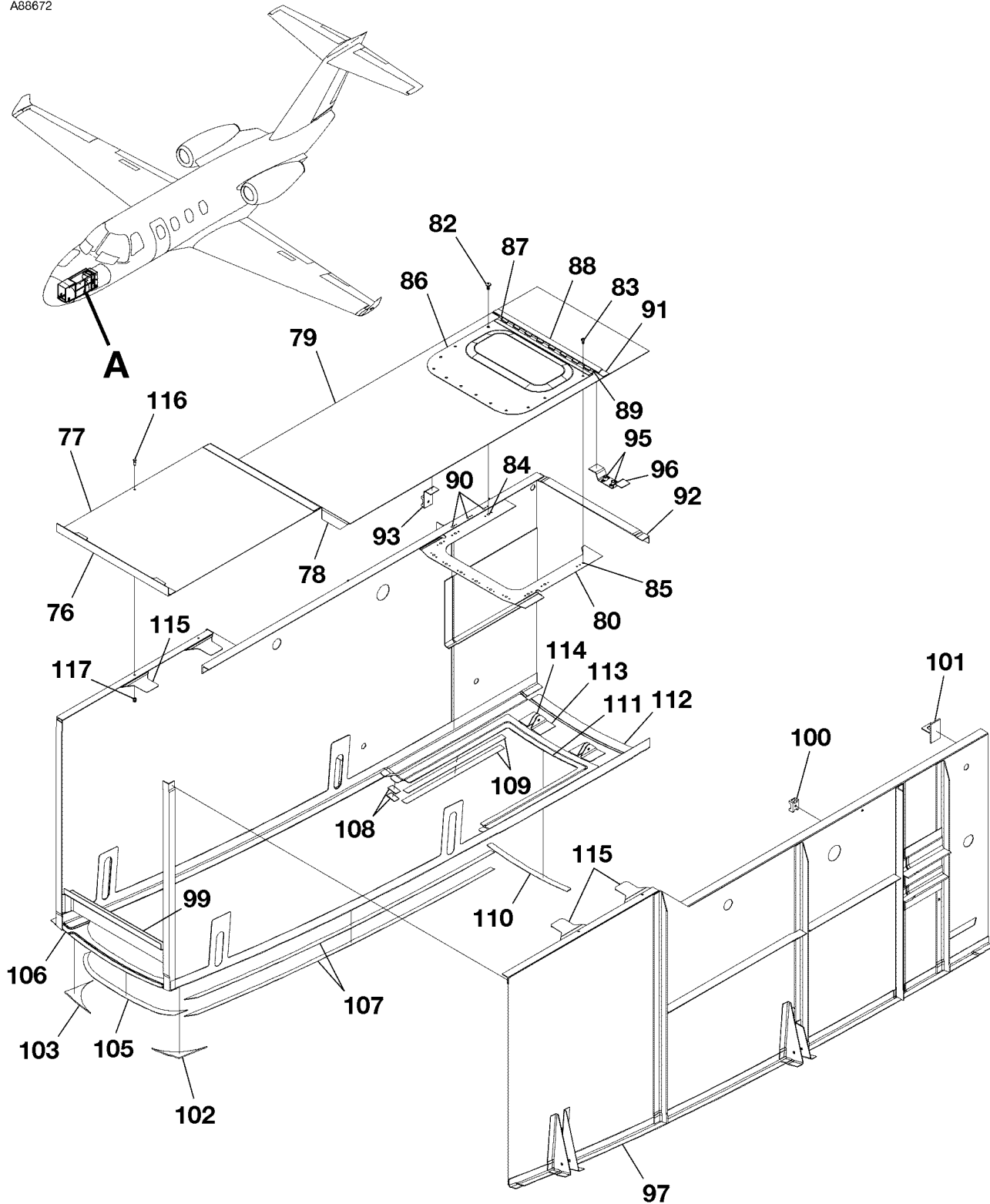
CESSNA®  
**MODEL 525 (SERIALS -0685 AND -0800 AND ON)**  
 ILLUSTRATED PARTS CATALOG

FIG ITEM	PART NUMBER	NOMENCLATURE	UNITS
			PER ASSY
01			
-		NOSE WHEELWELL INSTALLATION	RF
- 1	6313050-25	. PANEL ASSY-LH . . . . .	01
- 2	6313050-22	. PANEL ASSY-RH . . . . .	01
3	5513011-9	. . ANGLE-LH . . . . .	01
- 4	5513011-10	. . ANGLE-RH . . . . .	01
5	6313051-5	. . HINGE BRACKET-LH . . . . .	01
- 6	6313051-6	. . HINGE BRACKET-RH . . . . .	01
7	6313051-7	. . HINGE BRACKET-LH . . . . .	01
- 8	6313051-8	. . HINGE BRACKET-RH . . . . .	01
9	5513011-7	. . ANGLE . . . . .	01
10	5513011-5	. . ANGLE-LH . . . . .	01
- 11	5513011-6	. . ANGLE-RH . . . . .	01
12	6313051-33	. . WEB-LH FWD . . . . .	01
- 13	6313051-2	. . WEB-RH FWD . . . . .	01
14	6313051-3	. . DOUBLER-LH . . . . .	01
- 15	6313051-4	. . DOUBLER-RH . . . . .	01
16	5513011-11	. . ANGLE-LH . . . . .	01
- 17	5513011-12	. . ANGLE-RH . . . . .	01
18	CM2692-28J1S	. . PLUG BUTTON . . . . .	01
19	5513011-13	. . ANGLE-LH . . . . .	01
- 20	5513011-14	. . ANGLE-RH . . . . .	01
21	5513011-3	. . ANGLE-LH . . . . .	01
- 22	5513011-4	. . ANGLE-RH . . . . .	01
23	6313051-9	. . HINGE BRACKET-LH . . . . .	01
- 24	6313051-10	. . HINGE BRACKET-RH . . . . .	01
25	6313051-11	. . HINGE BRACKET-LH . . . . .	01
- 26	6313051-12	. . HINGE BRACKET-RH . . . . .	01
27	5513011-34	. . ANGLE . . . . .	01
28	MS21069-08	. . NUTPLATE . . . . .	01
29	5513011-36	. . TEE . . . . .	01
30	5513011-35	. . ANGLE . . . . .	03
31	5513011-32	. . ANGLE-LH . . . . .	01
- 32	5513011-33	. . ANGLE-RH . . . . .	01
33	5513011-29	. . ANGLE-LH . . . . .	01
- 34	5513011-28	. . ANGLE-RH . . . . .	01
35	5513011-31	. . ANGLE-LH . . . . .	01
- 36	5513011-30	. . ANGLE-RH . . . . .	01
37	6313051-38	. . DOUBLER ASSY . . . . .	01
- 38	6313051-25	. . . . . PLATE . . . . .	01
- 39	6313051-39	. . . . . DOUBLER . . . . .	01
40	5513011-19	. . ANGLE-LH . . . . .	01
- 41	5513011-20	. . ANGLE-RH . . . . .	01
42	6313051-27	. . WEB-LH AFT . . . . .	01
- 43	6313051-26	. . WEB-RH AFT . . . . .	01
- 44	MS21069L3	. . NUTPLATE-RH . . . . .	02
45	6313051-51	. . PLATE-LH . . . . .	01
- 46	6313051-28	. . PLATE-RH . . . . .	01
47		. . SUPPORT-BELLCRANK REFER TO 32-50-00 FIGURE 01 . . . . .	RF
48		. . STIFFENER ASSY-REFER TO 32-50-00 FIGURE 01 . . . . .	RF

- ITEM NOT ILLUSTRATED

CESSNA®  
MODEL 525 (SERIALS -0685 AND -0800 AND ON)  
ILLUSTRATED PARTS CATALOG

A88672



**DETAIL A**

NOSE WHEELWELL INSTALLATION  
FIGURE 01 (SHEET 2)

6310T1168  
A7313T1015

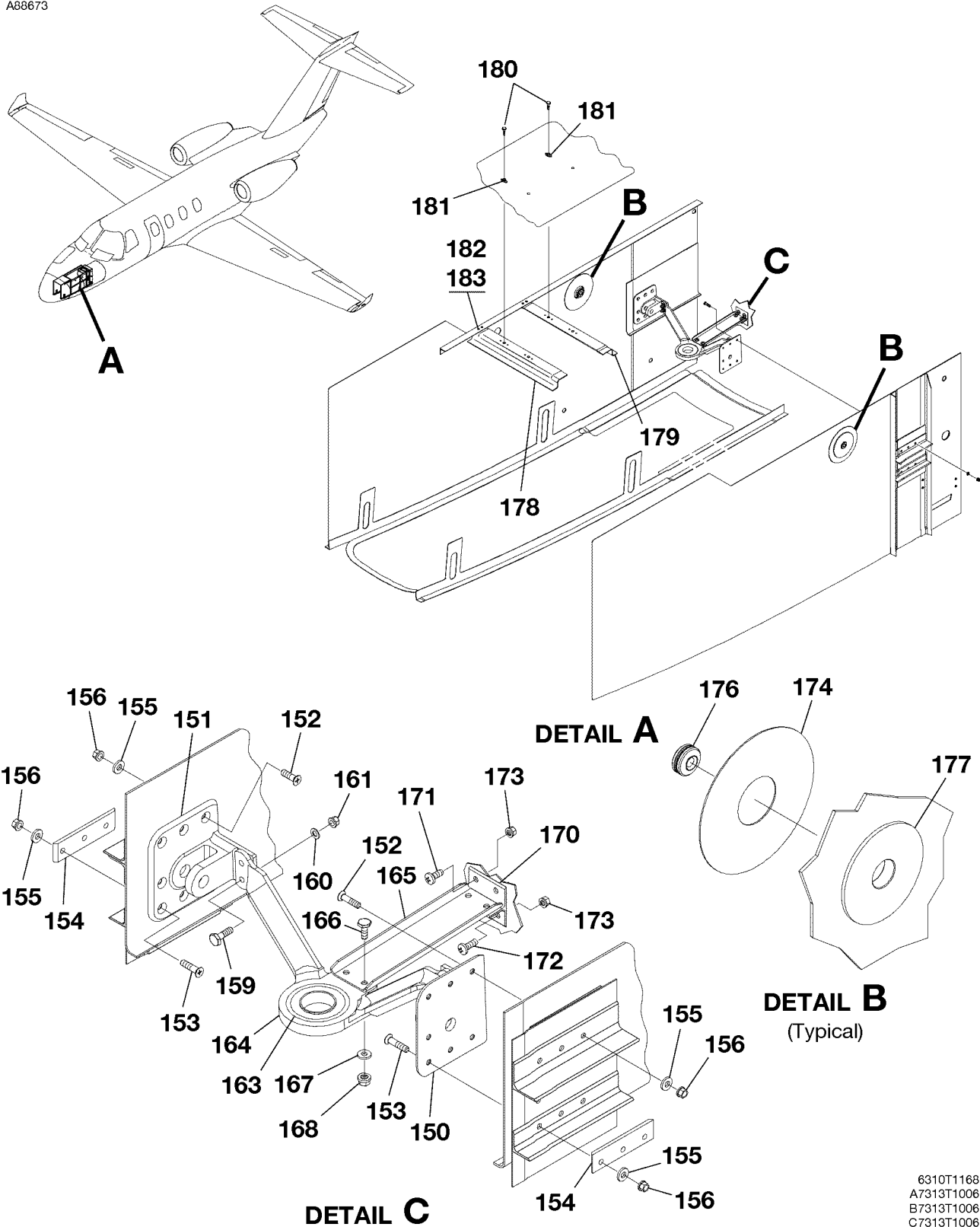
CESSNA®  
**MODEL 525 (SERIALS -0685 AND -0800 AND ON)**  
 ILLUSTRATED PARTS CATALOG

FIG ITEM	PART NUMBER	NOMENCLATURE	UNITS
			PER ASSY
		1 2 3 4 5 6 7	
01			
- 75	6313150-2	. PANEL ASSY-TOP . . . . .	01
76	6313051-32	. . . ANGLE . . . . .	01
77	5513010-8	. . . WEB . . . . .	01
78	5513010-7	. . . ANGLE . . . . .	01
79	5513010-27	. . . WEB-TOP . . . . .	01
80	5513010-45	. . . DOUBLER . . . . .	01
- 81	5513010-19	. . . DOOR ASSY . . . . .	01
		ATTACHING PARTS	
82	MS27039-1-06	. . . SCREW . . . . .	11
83	MS35206-227	. . . SCREW . . . . .	01
84	MS21048L3	. . . NUTPLATE . . . . .	11
85	MS21052L06	. . . NUTPLATE . . . . .	01
		—*—	
86	5513010-24	. . . DOOR . . . . .	01
87	5513010-22	. . . HINGE HALF . . . . .	01
88	5513010-21	. . . HINGE HALF . . . . .	01
89	MS20253-2-960	. . . HINGE PIN . . . . .	01
90	MS21071L08	. . . NUTPLATE . . . . .	03
91	6313051-14	. . . SPACER . . . . .	01
92	6313051-46	. . . ANGLE . . . . .	01
93	S3528-15A	. . . ANCHOR ASSY . . . . .	02
- 94	5513010-20	. . . BRACKET ASSY . . . . .	01
95	MS21069-3	. . . NUTPLATE . . . . .	02
96	5513010-26	. . . BRACKET . . . . .	01
97	5513010-9	. . . ANGLE-LH LWR . . . . .	01
- 98	5513010-10	. . . ANGLE-RH LWR . . . . .	01
99	6313051-21	. . . BAFFLE . . . . .	01
100	S1741-1	. . . ANCHOR . . . . .	01
101	5513010-18	. . . BRACKET . . . . .	01
102	6313051-19	. . . SPACER . . . . .	01
103	6313051-20	. . . SPACER . . . . .	01
- 104	6313051-16	. . . CLOSURE ASSY . . . . .	01
105	6313051-15	. . . RUBSTRIP-FWD . . . . .	01
106	6313051-17	. . . CLOSURE . . . . .	01
107	6313051-13	. . . RUBSTRIP . . . . .	02
108	5513050-30	. . . RUB BLOCK . . . . .	02
109	5513050-31	. . . RUB BLOCK . . . . .	02
110	5513050-32	. . . RUB BLOCK . . . . .	01
111	6313051-22	. . . COLLAR . . . . .	01
112	6313051-18	. . . PAN . . . . .	01
113	5513050-25	. . . ANGLE . . . . .	02
114	5513050-24	. . . ANGLE . . . . .	02
115	6313182-13	. . . SUPPORT . . . . .	04
		ATTACHING PARTS	
116	HL11VBJ4-3	. . . PIN-HI-LOK . . . . .	01
117	HL97DU-4	. . . COLLAR-HI-LOK . . . . .	01
		—*—	

- ITEM NOT ILLUSTRATED

CESSNA®  
**MODEL 525 (SERIALS -0685 AND -0800 AND ON)**  
 ILLUSTRATED PARTS CATALOG

A88673



**DETAIL C**  
 NOSE WHEELWELL INSTALLATION  
 FIGURE 01 (SHEET 3)

6310T1168  
 A7313T1006  
 B7313T1006  
 C7313T1006



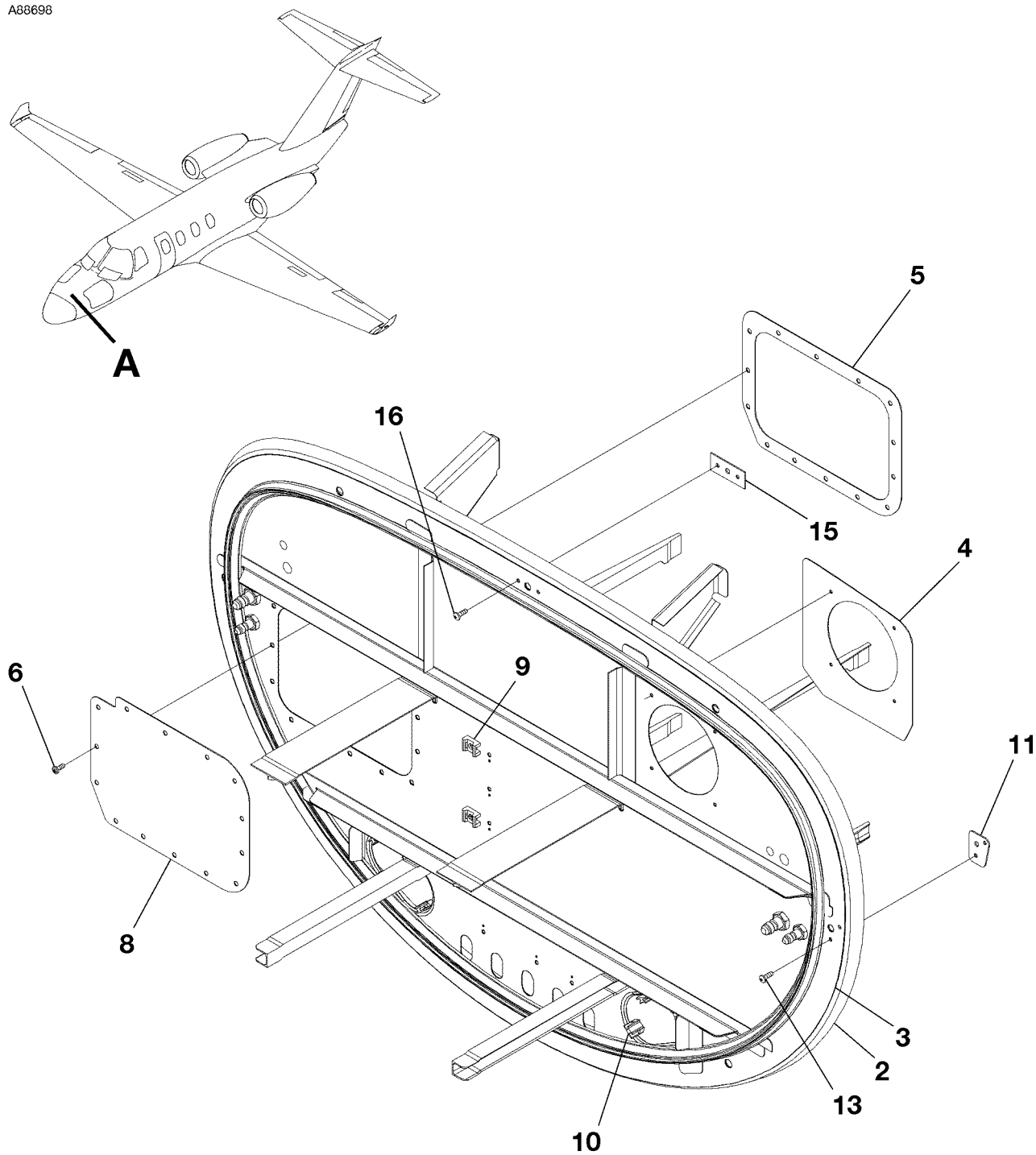
CESSNA®  
**MODEL 525 (SERIALS -0685 AND -0800 AND ON)**  
 ILLUSTRATED PARTS CATALOG

FIG ITEM	PART NUMBER	NOMENCLATURE	UNITS
			PER ASSY
01			
150	5513056-7	. SUPPORT-LH . . . . .	01
151	5513056-8	. SUPPORT-RH . . . . .	01
		ATTACHING PARTS	
152	NAS517-3-4	. SCREW . . . . .	04
153	NAS517-3-7	. SCREW . . . . .	03
154	5513055-9	. RADIUS BLOCK . . . . .	01
155	NAS1149F0363P	. WASHER . . . . .	07
156	MS21042-3	. NUT . . . . .	07
- 157	NAS1291X3	. NUT-ALT FOR MS21042-3 . . . . .	07
		—*—	
- 158	5513057-3	. SUPPORT ASSY . . . . .	01
		ATTACHING PARTS	
159	AN3-5A	. BOLT . . . . .	04
160	NAS620-10L	. WASHER . . . . .	04
161	MS21042-3	. NUT . . . . .	04
- 162	NAS1291X3	. NUT-ALT FOR MS21042-3 . . . . .	04
		—*—	
163	MS27648-16	. BEARING . . . . .	01
164	5513057-4	. SUPPORT . . . . .	01
165	5513055-3	. CHANNEL . . . . .	01
		ATTACHING PARTS	
166	NAS464P3A3	. BOLT . . . . .	04
167	NAS1149F0363P	. WASHER . . . . .	04
168	MS21042-3	. NUT . . . . .	04
- 169	NAS1291X3	. NUT-ALT FOR MS21042-3 . . . . .	04
		—*—	
170	5513055-4	. TEE . . . . .	01
		ATTACHING PARTS	
171	MS27039-1-07	. SCREW . . . . .	02
172	MS27039-1-08	. SCREW . . . . .	02
173	MS21042-3	. NUT . . . . .	04
		—*—	
174	5513055-2	. DOUBLER . . . . .	02
- 175	5513062-1	. SUPPORT ASSY . . . . .	02
176	MS24461-4	. BEARING . . . . .	01
177	5513062-2	. SUPPORT . . . . .	01
178	5513061-4	. ZEE . . . . .	01
179	5513061-5	. ZEE . . . . .	01
		ATTACHING PARTS	
180	AN4-5A	. BOLT . . . . .	04
181	6800-048	. BOLT RETAINER . . . . . V80539	04
		—*—	
182	NAS7034H03	. PIN . . . . .	08
183	NAS1080K04	. COLLAR . . . . .	08

- ITEM NOT ILLUSTRATED

CESSNA®  
MODEL 525 (SERIALS -0685 AND -0800 AND ON)  
ILLUSTRATED PARTS CATALOG

A88698



**DETAIL A**

NOSE STRUCTURE INSTALLATION  
FIGURE 02 (SHEET 1)

6310T1168  
A6313T1124

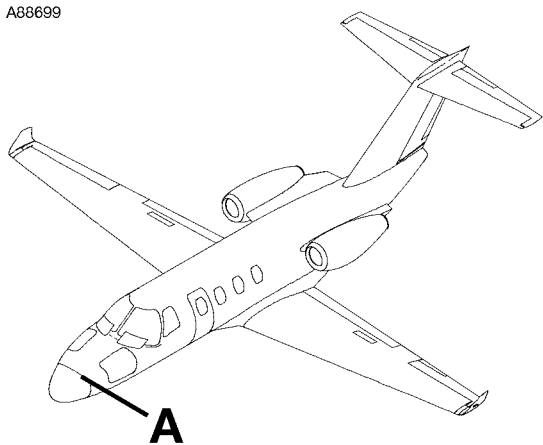
CESSNA®  
**MODEL 525 (SERIALS -0685 AND -0800 AND ON)**  
 ILLUSTRATED PARTS CATALOG

FIG ITEM	PART NUMBER	NOMENCLATURE	UNITS
			PER ASSY
		1 2 3 4 5 6 7	
02		NOSE STRUCTURE INSTALLATION	RF
- 1	6313142-7	. FRAME ASSY . . . . .	01
2	6313030-15	. . FRAME . . . . .	01
3	6313042-15	. . WEB . . . . .	01
4	6313042-6	. . DOUBLER . . . . .	01
5	6313030-20	. . DOUBLER ASSY . . . . .	01
		ATTACHING PARTS	
6	MS27039-1-07	. . SCREW . . . . .	14
		—*—	
- 7	MS21075L3N	. . NUTPLATE . . . . .	14
8	6313030-22	. . PLATE . . . . .	01
9	S1741-5	. . ANCHOR . . . . .	02
10	S4132-1	. . ANCHOR . . . . .	06
11	6313030-17	. GUIDE PLATE ASSY-LH . . . . .	01
- 12	6313030-16	. GUIDE PLATE ASSY-RH . . . . .	01
		ATTACHING PARTS	
13	MS27039C1-09	. SCREW . . . . .	02
		—*—	
- 14	MS21073-3	. . NUTPLATE . . . . .	02
15	6313101-27	. GUIDE ASSY . . . . .	02
		ATTACHING PARTS	
16	MS27039C1-09	. SCREW . . . . .	02
		—*—	
- 17	MS21073-3	. . NUTPLATE . . . . .	02

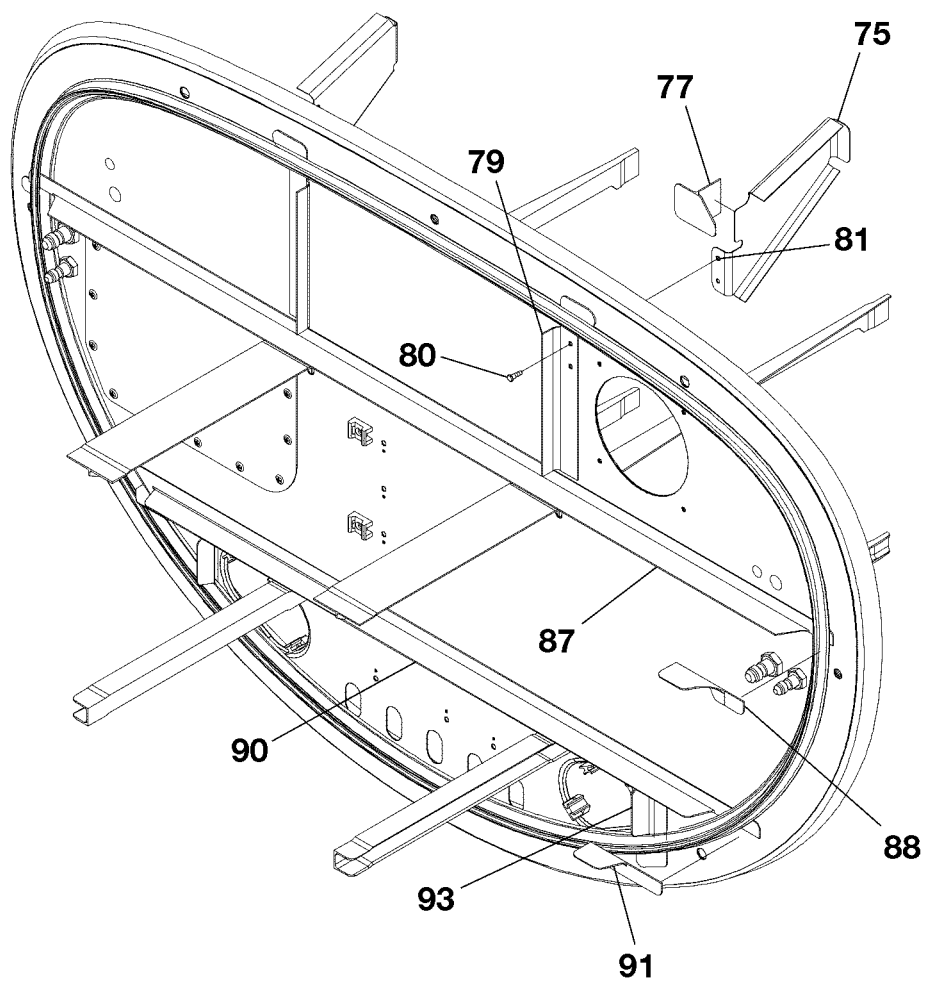
- ITEM NOT ILLUSTRATED

CESSNA®  
MODEL 525 (SERIALS -0685 AND -0800 AND ON)  
ILLUSTRATED PARTS CATALOG

A88699



**A**



**DETAIL A**

NOSE STRUCTURE INSTALLATION  
FIGURE 02 (SHEET 2)

6310T1168  
A6313T1125

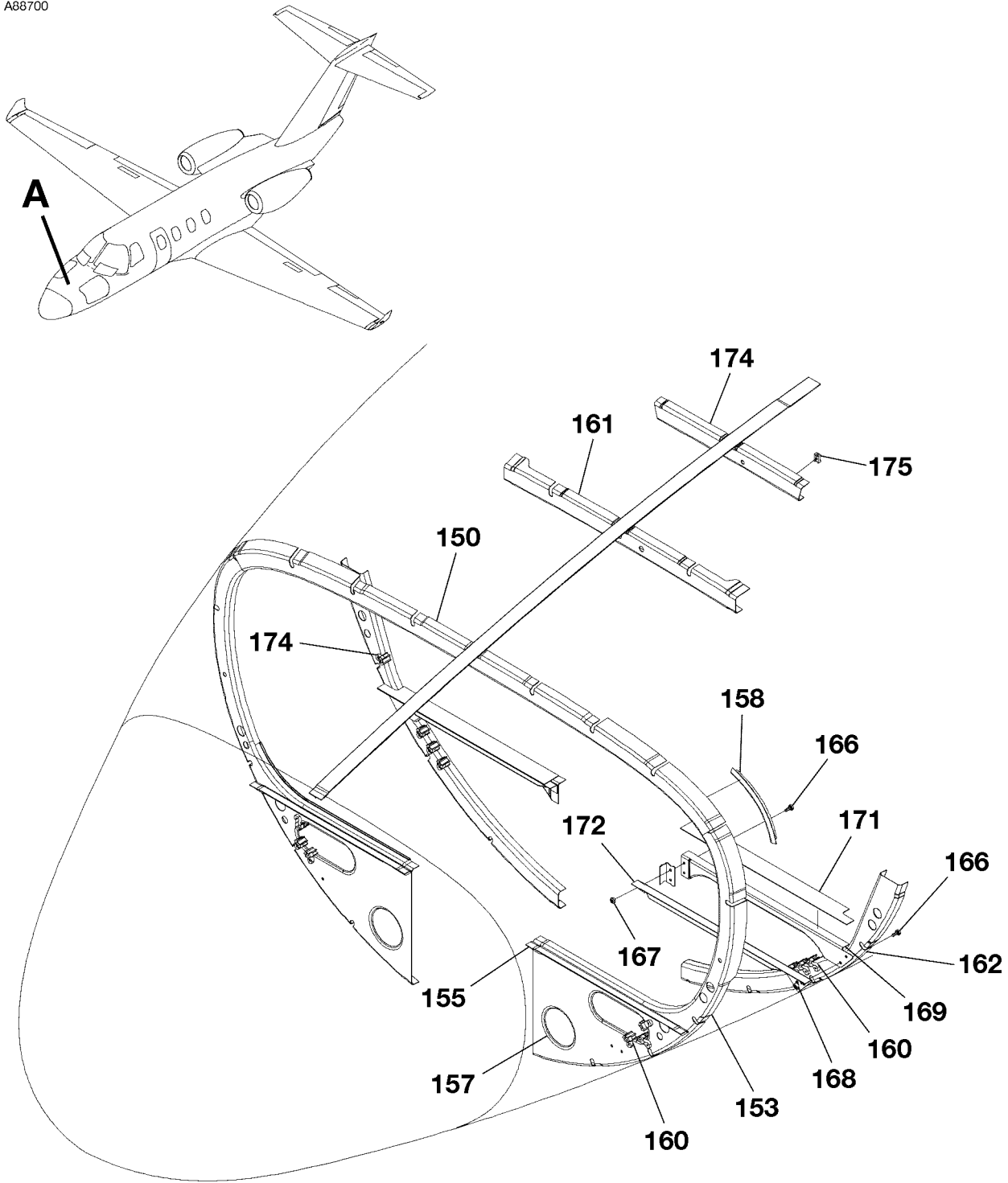
CESSNA®  
**MODEL 525 (SERIALS -0685 AND -0800 AND ON)**  
 ILLUSTRATED PARTS CATALOG

FIG ITEM	PART NUMBER	NOMENCLATURE	UNITS
			PER ASSY
02			
75	6313042-3	. GUSSET-LH . . . . .	01
- 76	6313042-4	. GUSSET-RH . . . . .	01
77	9156600-41	. TEE-LH . . . . .	01
- 78	9156600-40	. TEE-RH . . . . .	01
79	9156010-13	. BRACKET-LH . . . . .	01
		ATTACHING PARTS	
80	HL10VBJ5-3	. PIN-HI-LOK . . . . . V73197	02
81	HL70-5	. COLLAR-HI-LOK . . . . . V73197	02
- 82	S3191-08	. NUT-ALT FOR HL70-5 . . . . .	02
		—*—	
- 83	9156010-14	. BRACKET-RH . . . . .	01
		ATTACHING PARTS	
- 84	HL10VBJ5-2	. PIN-HI-LOK . . . . . V73197	02
- 85	HL70-5	. COLLAR-HI-LOK . . . . . V73197	02
- 86	S3191-08	. NUT-ALT FOR HL70-5 . . . . .	02
		—*—	
87	9156600-16	. ANGLE-UPR . . . . .	01
88	9156600-35	. SUPPORT CLIP-LH . . . . .	01
- 89	9156600-58	. SUPPORT CLIP-RH . . . . .	01
90	9156600-15	. ANGLE-LWR . . . . .	01
91	9156600-21	. SUPPORT CLIP-LH . . . . .	01
- 92	9156600-22	. SUPPORT CLIP-RH . . . . .	01
93	9156600-7	. SUPPORT TEE-LH . . . . .	01
- 94	9156600-8	. SUPPORT TEE-RH . . . . .	01

- ITEM NOT ILLUSTRATED

CESSNA®  
MODEL 525 (SERIALS -0685 AND -0800 AND ON)  
ILLUSTRATED PARTS CATALOG

A88700



**DETAIL A**

NOSE STRUCTURE INSTALLATION  
FIGURE 02 (SHEET 3)

6310T1168  
A6313T1126

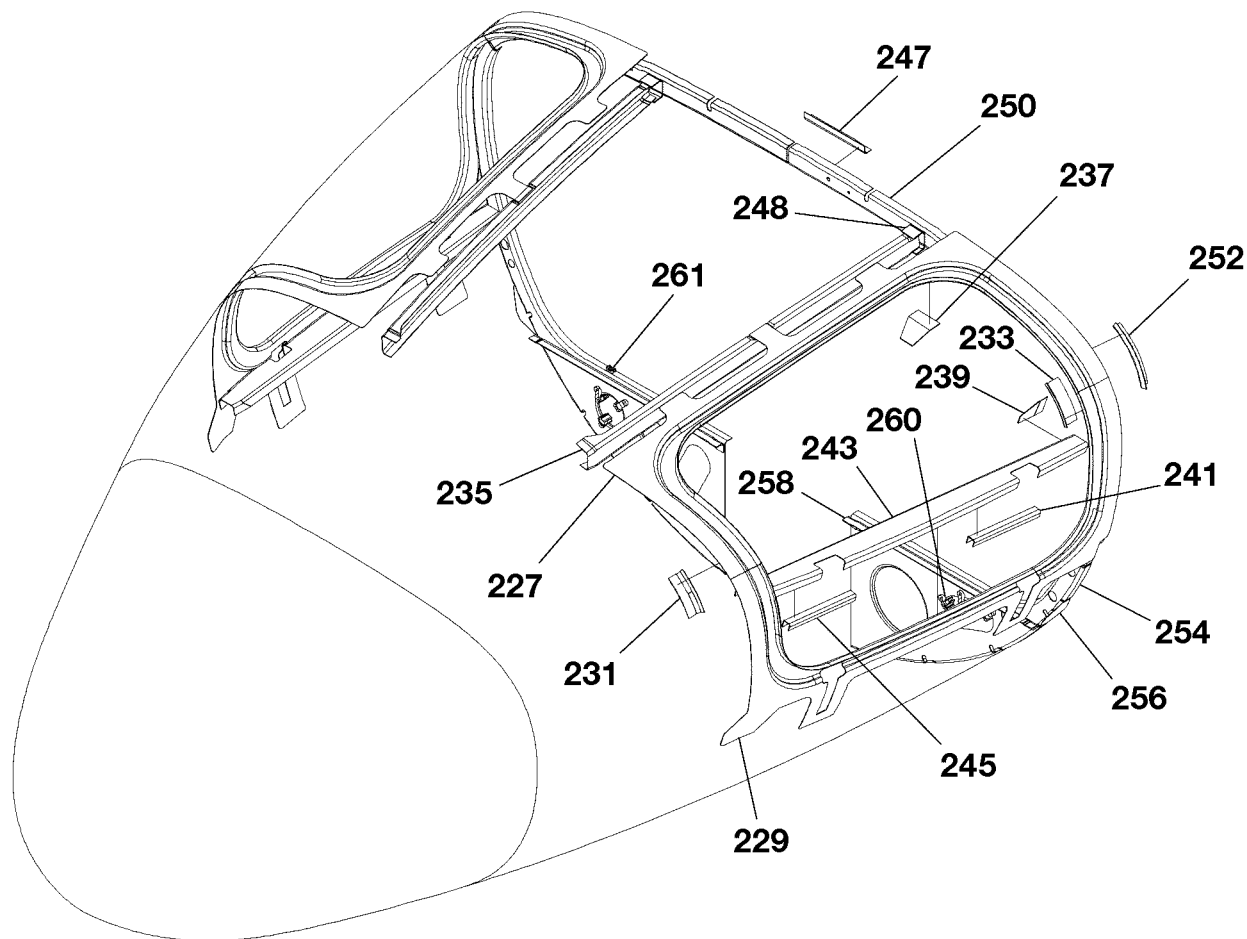
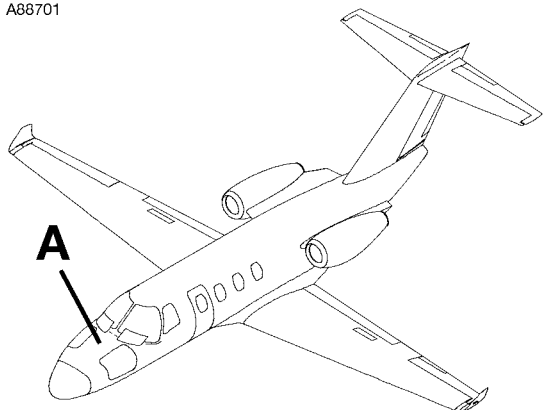
CESSNA®  
**MODEL 525 (SERIALS -0685 AND -0800 AND ON)**  
 ILLUSTRATED PARTS CATALOG

FIG ITEM	PART NUMBER	NOMENCLATURE	UNITS
			PER ASSY
02			
150	6313032-2	. FRAME-UPR . . . . .	01
- 151	6313032-5	. FRAME ASSY-LH . . . . .	01
- 152	6313032-6	. FRAME ASSY-RH . . . . .	01
153	6313032-7	. . FRAME-LH . . . . .	01
- 154	6313032-8	. . FRAME-RH . . . . .	01
155	6313032-9	. . STIFFENER-LH . . . . .	01
- 156	6313032-10	. . STIFFENER-RH . . . . .	01
157	S1050-1-9.42	. . GROMMET . . . . .	02
158	6313032-3	. . SPLICE ANGLE-LH . . . . .	01
- 159	6313032-4	. . SPLICE ANGLE-RH . . . . .	01
160	S4132-1	. . ANCHOR . . . . .	13
161	6313033-2	. . FRAME-UPR . . . . .	01
162	6313033-3	. . FRAME-LH . . . . .	01
- 163	6313033-4	. . FRAME-RH . . . . .	01
- 164	6513001-1	. . SUPPORT ASSY-LH . . . . .	01
- 165	6513001-2	. . SUPPORT ASSY-RH . . . . .	01
		ATTACHING PARTS	
166	AN3-3A	. . BOLT . . . . .	04
167	MS21083N3	. . NUT . . . . .	02
168	MS21069L3	. . NUTPLATE . . . . .	02
		—*—	
169	6513001-5	. . ANGLE-LH . . . . .	01
- 170	6513001-6	. . ANGLE-RH . . . . .	01
171	6513001-7	. . DOUBLER PLATE . . . . .	01
172	6513001-3	. . SUPPORT-LH . . . . .	01
- 173	6513001-4	. . SUPPORT-RH . . . . .	01
174	6313036-2	. . FRAME . . . . .	01
175	S1741-1	. . ANCHOR . . . . .	02

- ITEM NOT ILLUSTRATED

CESSNA®  
MODEL 525 (SERIALS -0685 AND -0800 AND ON)  
ILLUSTRATED PARTS CATALOG

A88701



**DETAIL A**

NOSE STRUCTURE INSTALLATION  
FIGURE 02 (SHEET 4)

6310T1168  
A6313T1127



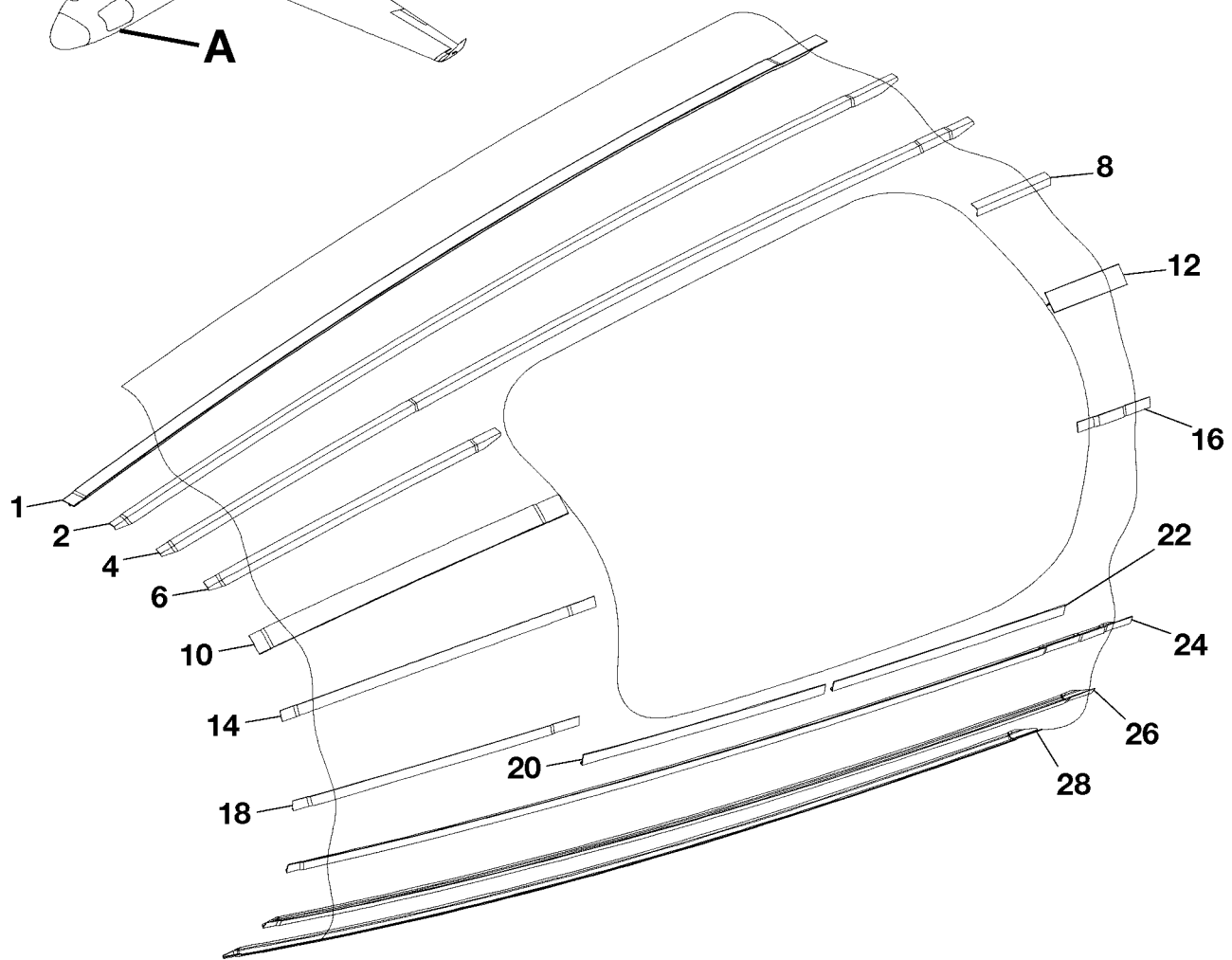
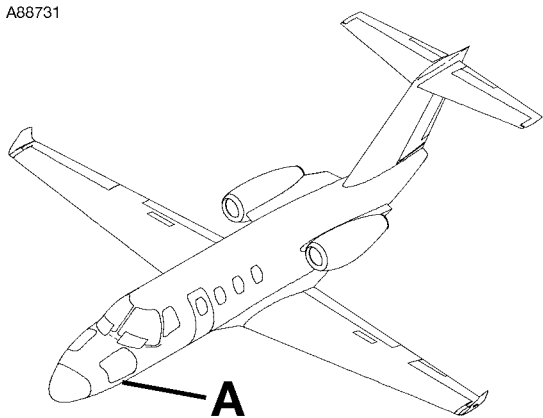
CESSNA®  
**MODEL 525 (SERIALS -0685 AND -0800 AND ON)**  
 ILLUSTRATED PARTS CATALOG

FIG ITEM	PART NUMBER	NOMENCLATURE	UNITS
			PER ASSY
02			
- 225	6313090-1	. FRAME ASSY-LH DOOR . . . . .	01
- 226	6313090-2	. FRAME ASSY-RH DOOR . . . . .	01
227	5513041-3	. . FRAME HALF-LH UPR . . . . .	01
- 228	5513041-4	. . FRAME HALF-RH UPR . . . . .	01
229	5513041-17	. . FRAME HALF-LH LWR . . . . .	01
- 230	5513041-18	. . FRAME HALF-RH LWR . . . . .	01
231	6313090-7	. . FRAME SPLICE-LH FWD . . . . .	01
- 232	6313090-8	. . FRAME SPLICE-RH FWD . . . . .	01
233	6313090-9	. . FRAME SPLICE-LH AFT . . . . .	01
- 234	6313090-10	. . FRAME SPLICE-RH AFT . . . . .	01
235	5513040-5	. . INTERCOSTAL-LH UPR . . . . .	01
- 236	5513040-6	. . INTERCOSTAL-RH UPR . . . . .	01
237	5513040-13	. . GUSSET-LH UPR . . . . .	01
- 238	5513040-10	. . GUSSET-RH UPR . . . . .	01
239	5513040-9	. . GUSSET-LH LWR . . . . .	01
- 240	5513040-14	. . GUSSET-RH LWR . . . . .	01
241	5513040-8	. . CHANNEL-LH . . . . .	01
- 242	5513040-12	. . CHANNEL-RH . . . . .	01
243	5513040-3	. . INTERCOSTAL-LH LWR . . . . .	01
- 244	5513040-4	. . INTERCOSTAL-RH LWR . . . . .	01
245	5513040-7	. . CHANNEL-LH . . . . .	01
- 246	5513040-11	. . CHANNEL-RH . . . . .	01
247	6313034-2	. . SPLICE ANGLE-UPR . . . . .	01
248	6313034-5	. . CLIP-LH . . . . .	01
- 249	6313034-6	. . CLIP-RH . . . . .	01
250	6313034-3	. . FRAME-LH . . . . .	01
- 251	6313034-4	. . FRAME-RH . . . . .	01
252	5513028-5	. . SPLICE ANGLE-LH . . . . .	01
- 253	5513028-6	. . SPLICE ANGLE-RH . . . . .	01
254	6313034-7	. . FRAME-LH LWR . . . . .	01
- 255	5513028-12	. . FRAME-RH LWR . . . . .	01
256	5513028-7	. . GUSSET-LH . . . . .	01
- 257	5513028-8	. . GUSSET-RH . . . . .	01
258	6313034-9	. . ANGLE-LH . . . . .	01
- 259	6313034-8	. . ANGLE-RH . . . . .	01
260	S4132-1	. . ANCHOR . . . . .	06
261	S1741-1	. . ANCHOR . . . . .	01

- ITEM NOT ILLUSTRATED

CESSNA®  
MODEL 525 (SERIALS -0685 AND -0800 AND ON)  
ILLUSTRATED PARTS CATALOG

A88731



**DETAIL A**

NOSE STRINGER INSTALLATION  
FIGURE 03 (SHEET 1)

6310T1168  
A6313T1123

CESSNA®  
**MODEL 525 (SERIALS -0685 AND -0800 AND ON)**  
 ILLUSTRATED PARTS CATALOG

FIG ITEM	PART NUMBER	NOMENCLATURE	UNITS
			PER ASSY
03		NOSE STRINGER INSTALLATION	RF
-			
1	6313020-2	. STRINGER-CTR . . . . .	01
2	6313020-3	. STRINGER-LH . . . . .	01
- 3	6313020-4	. STRINGER-RH . . . . .	01
4	6313020-5	. STRINGER-LH . . . . .	01
- 5	6313020-6	. STRINGER-RH . . . . .	01
6	6313020-7	. STRINGER-LH FWD . . . . .	01
- 7	6313020-8	. STRINGER-RH FWD . . . . .	01
8	5513001-43	. STRINGER-LH AFT . . . . .	01
- 9	5513001-44	. STRINGER-RH AFT . . . . .	01
10	6313020-9	. STRINGER-LH FWD . . . . .	01
- 11	6313020-10	. STRINGER-RH FWD . . . . .	01
12	5513001-45	. STRINGER-LH AFT . . . . .	01
- 13	5513001-46	. STRINGER-RH AFT . . . . .	01
14	6313020-11	. STRINGER-LH FWD . . . . .	01
- 15	6313020-12	. STRINGER-RH FWD . . . . .	01
16	5513001-47	. STRINGER-LH AFT . . . . .	01
- 17	6313020-32	. STRINGER-RH AFT . . . . .	01
18	6313020-23	. STRINGER-LH . . . . .	01
- 19	6313020-24	. STRINGER-RH . . . . .	01
20	6313020-19	. STRINGER-LH FWD . . . . .	01
- 21	6313020-20	. STRINGER-RH FWD . . . . .	01
22	6313020-21	. STRINGER-LH AFT . . . . .	01
- 23	6313020-22	. STRINGER-RH AFT . . . . .	01
24	6313020-25	. STRINGER-LH . . . . .	01
- 25	6313020-26	. STRINGER-RH . . . . .	01
26	6313020-27	. STRINGER-LH . . . . .	01
- 27	6313020-28	. STRINGER-RH . . . . .	01
28	6313020-29	. STRINGER-LH . . . . .	01
- 29	6313020-30	. STRINGER-RH . . . . .	01
- 30	6313020-33	. CLIP-RH . . . . .	01

- ITEM NOT ILLUSTRATED



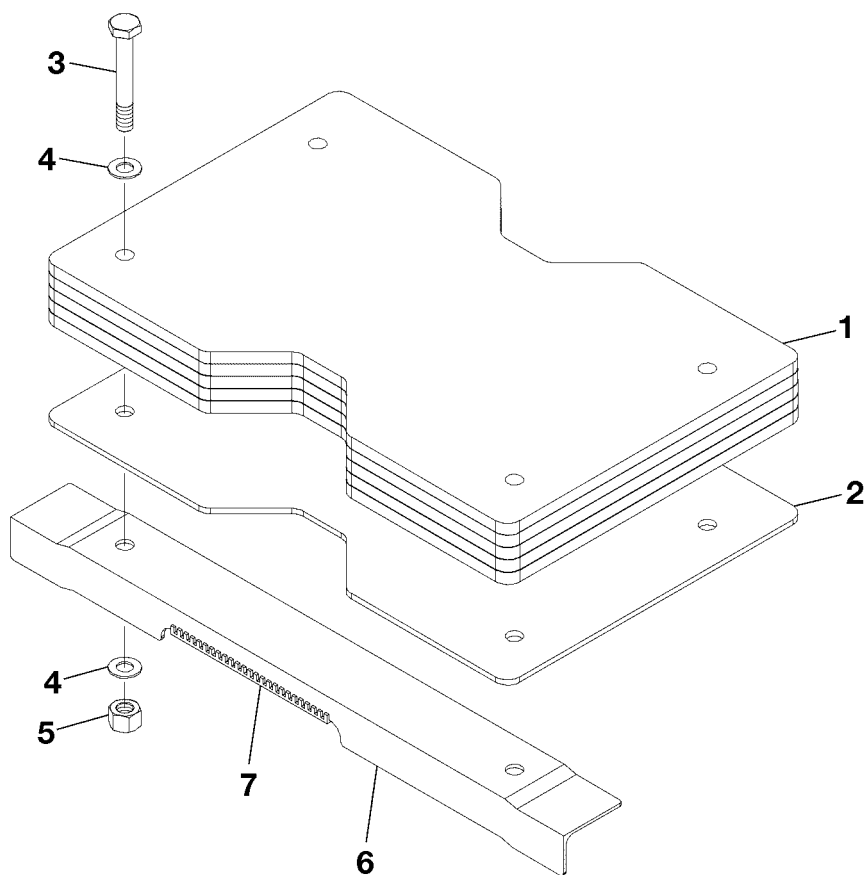
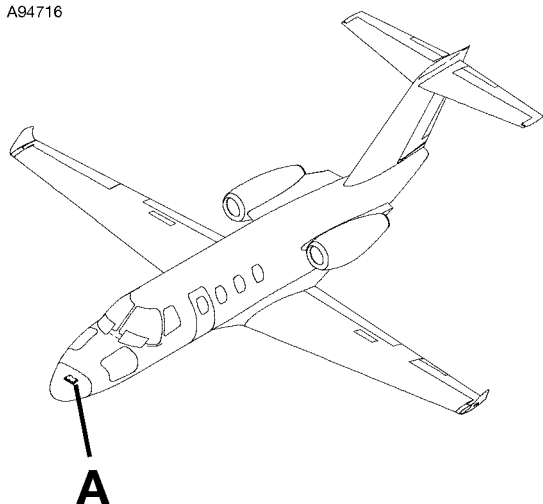
CESSNA®  
**MODEL 525 (SERIALS -0685 AND -0800 AND ON)**  
 ILLUSTRATED PARTS CATALOG

FIG ITEM	PART NUMBER	NOMENCLATURE	UNITS
			PER ASSY
04		NOSE LANDING GEAR (NLG) ACTUATOR SUPPORT STRUCTURE	RF
-		INSTALLATION	
1	TA02D713D06EP	. CLAMP ASSY . . . . . V84971	01
- 2	1-127543D6EP	. CLAMP ASSY-ALT FOR TA02D713D06EP . . . . . V83930	01
		ATTACHING PARTS	
3	MS27039-1-09	. SCREW . . . . .	01
		—*—	
4	6511269-3	. DOUBLER . . . . .	01
5	6311169-19	. ANGLE-LH CTR LWR . . . . .	01
- 6	6311169-20	. ANGLE-RH CTR LWR . . . . .	01
7	6311197-3	. ANGLE-LH LWR . . . . .	01
- 8	6311197-4	. ANGLE-RH LWR . . . . .	01
		ATTACHING PARTS	
9	HL10VBJ5-3	. PIN-HI-LOK . . . . . V73197	03
10	HL70-5	. COLLAR-HI-LOK . . . . . V73197	03
- 11	S3191-08	. NUT-ALT FOR HL70-5 . . . . .	03
12	HL10VBJ4-5	. PIN-HI-LOK . . . . . V73197	04
13	HL97DU-4	. COLLAR-HI-LOK . . . . . V73197	04
		—*—	
14	6311169-15	. ATTACH BRACKET . . . . .	01
15	6311169-16	. FILLER . . . . .	01
16	6311070-1	. GUSSET . . . . .	01
17	5511168-4	. CLIP . . . . .	01
		ATTACHING PARTS	
18	AN3-4A	. BOLT . . . . .	04
19	NAS1149F0332P	. WASHER . . . . .	04
20	MS21044N3	. NUT . . . . .	04
		—*—	
21		. NOSE WHEEL STEERING SYSTEM-REFER TO 32-50-00 FIGURE 01 . . . . .	RF
- 22	6311168-8	. SUPPORT STRUCTURE ASSY-NOSE LANDING GEAR . . . . .	01
		ATTACHING PARTS	
23	AN4-6A	. BOLT . . . . .	02
24	NAS1149F0463P	. WASHER . . . . .	02
25	MS21044N4	. NUT . . . . .	02
		—*—	
26	6311169-12	. . . . . SIDE PANEL . . . . .	02
27	6511105-1	. . . . . FITTING . . . . .	01
28	6311169-23	. . . . . ANGLE-LH UPR . . . . .	01
- 29	6311169-24	. . . . . ANGLE-RH UPR . . . . .	01
		ATTACHING PARTS	
30	HL10VBJ5-5	. . . . . PIN-HI-LOK . . . . . V73197	03
31	HL70-5	. . . . . COLLAR-HI-LOK . . . . . V73197	03
- 32	S3191-08	. . . . . NUT-ALT FOR HL70-5 . . . . .	03
		—*—	
33	6311169-5	. . . . . ANGLE-LH FWD . . . . .	01
- 34	6311169-17	. . . . . ANGLE-RH FWD . . . . .	01
35	6311169-13	. . . . . STIFFENER-SIDE . . . . .	02
36	6311169-21	. . . . . ANGLE-LH CTR UPR . . . . .	01
- 37	6311169-22	. . . . . ANGLE-RH CTR UPR . . . . .	01
38	5511168-33	. . . . . PANEL-TOP . . . . .	01
		ATTACHING PARTS	
39	HL10VBJ5-5	. . . . . PIN-HI-LOK . . . . . V73197	06
40	HL70-5	. . . . . COLLAR-HI-LOK . . . . . V73197	06
- 41	S3191-08	. . . . . NUT-ALT FOR HL70-5 . . . . .	06
		—*—	
42	5511168-32	. . . . . STIFFENER . . . . .	01
43	5511168-11	. . . . . SHEAR PLATE . . . . .	01
		ATTACHING PARTS	
44	AN3-5A	. . . . . BOLT . . . . .	02
45	NAS1149F0332P	. . . . . WASHER . . . . .	02
46	MS21044N3	. . . . . NUT . . . . .	02
47	HL10VBJ5-5	. . . . . PIN-HI-LOK . . . . . V73197	04
48	HL70-5	. . . . . COLLAR-HI-LOK . . . . . V73197	04
- 49	S3191-08	. . . . . NUT-ALT FOR HL70-5 . . . . .	04
		—*—	
50	6311169-25	. . . . . CHANNEL-UPR . . . . .	01
51	5511168-14	. . . . . FILLER . . . . .	01
52	6311169-14	. . . . . BRACKET SHIM . . . . .	01
53	NAS1473A3K	. . . . . NUTPLATE . . . . .	03

- ITEM NOT ILLUSTRATED

CESSNA®  
MODEL 525 (SERIALS -0685 AND -0800 AND ON)  
ILLUSTRATED PARTS CATALOG

A94716



**DETAIL A**

NOSE BALLAST INSTALLATION  
FIGURE 01 (SHEET 1)

6310T1168  
A6313T190-1

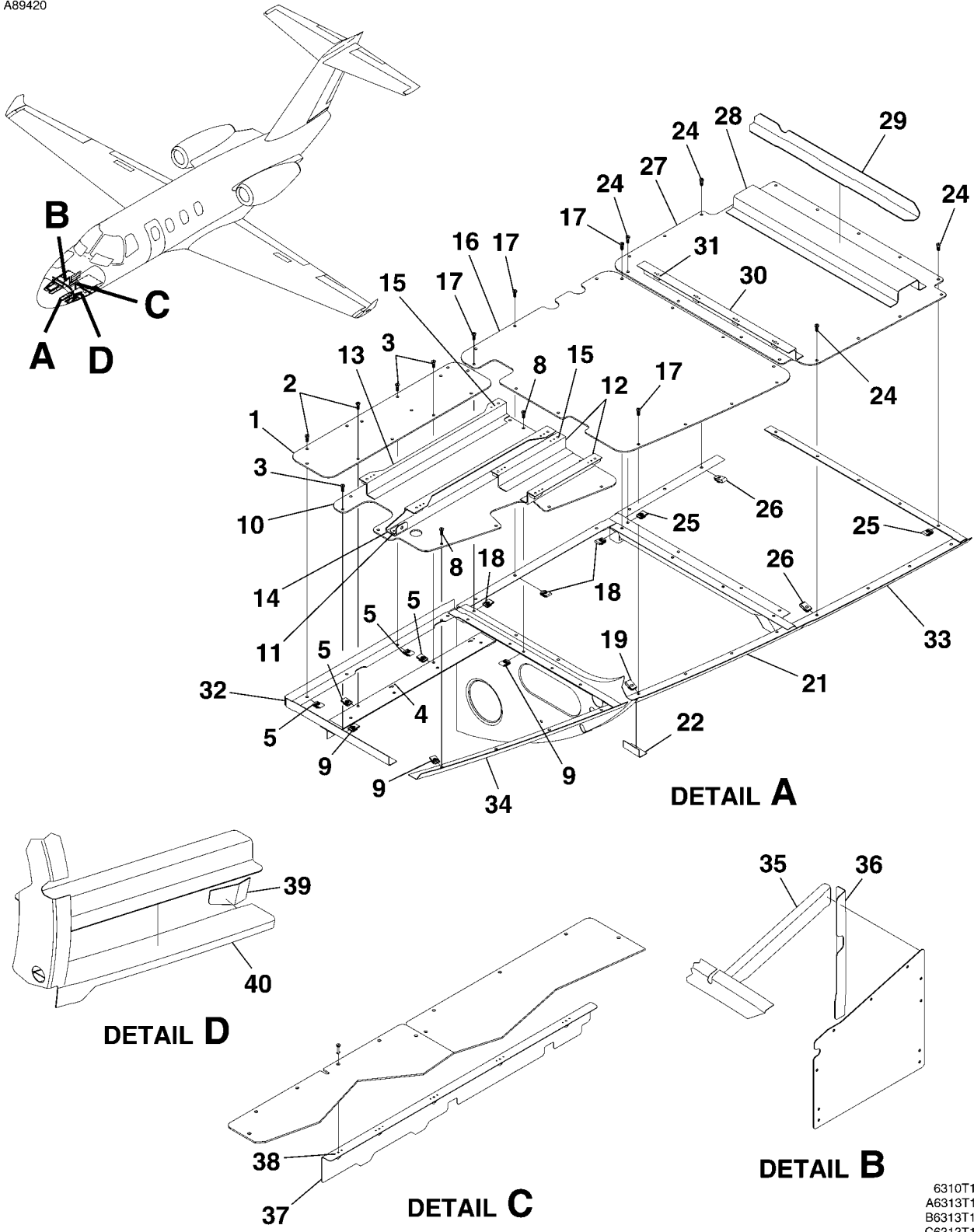
CESSNA®  
**MODEL 525 (SERIALS -0685 AND -0800 AND ON)**  
 ILLUSTRATED PARTS CATALOG

FIG ITEM	PART NUMBER	NOMENCLATURE	UNITS PER ASSY	
			1 2 3 4 5 6 7	
01		NOSE BALLAST INSTALLATION	0801	& ON RF R
-				
1	6313191-1	. BALLAST WEIGHT . . . . .		AR R
2	6313191-2	. BALLAST WEIGHT . . . . . ATTACHING PARTS		AR R
3	AN4-16	. BOLT . . . . .		04 R
4	NAS1149F0432P	. WASHER . . . . .		08 R
5	MS21044C4	. NUT . . . . . —*—		04 R
6	6313191-3	. SUPPORT ANGLE . . . . .		01 R
7	S1050-2	. GROMMET-BKI . . . . .		AR R

- ITEM NOT ILLUSTRATED

CESSNA®  
**MODEL 525 (SERIALS -0685 AND -0800 AND ON)**  
 ILLUSTRATED PARTS CATALOG

A89420



NOSE BAGGAGE COMPARTMENT FLOOR  
 FIGURE 01 (SHEET 1)

6310T1168  
 A6313T1164  
 B6313T1164  
 C6313T1164  
 D6313T1164



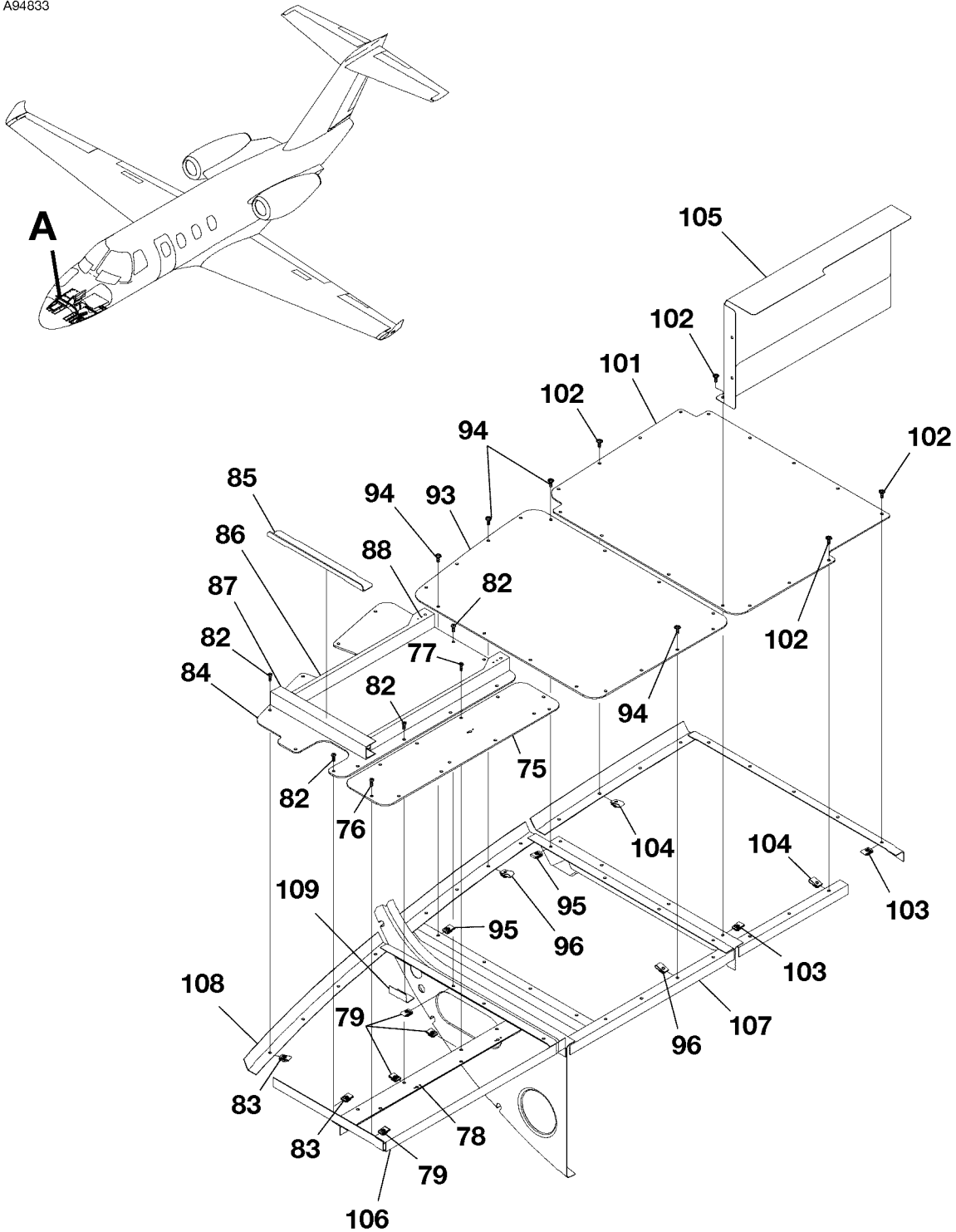
CESSNA®  
**MODEL 525 (SERIALS -0685 AND -0800 AND ON)**  
 ILLUSTRATED PARTS CATALOG

FIG ITEM	PART NUMBER	NOMENCLATURE	UNITS	
			PER	ASSY
		1 2 3 4 5 6 7		
01		NOSE BAGGAGE COMPARTMENT FLOOR		RF
- 1	6313186-3	. SHELF ASSY-LH . . . . .		01
		. ATTACHING PARTS		
2	NAS1801-08-6	. SCREW . . . . .		03
3	NAS514P832-8	. SCREW . . . . .		02
4	MS21069L08	. NUTPLATE . . . . .		02
5	S1477-08	. NUT . . . . .		05
		—*—		
- 6	MS21069L08	. . . NUTPLATE . . . . .		06
- 7	6313186-7	. AVIONICS FLOOR ASSY-LH LOWER . . . . .	0800 0904	01
- 7A	6313186-9	. AVIONICS FLOOR ASSY-LH LOWER . . . . .	0905 0997	01 R
- 7B	6313186-10	. AVIONICS FLOOR ASSY-LH LOWER . . . . .	0998 & ON	01 R
		. ATTACHING PARTS		
8	NAS1801-08-6	. SCREW . . . . .		14
9	S1477-08	. NUT . . . . .		14
		—*—		
10	6313187-25	. . SHELF-LH FWD . . . . .	0800 0904	01
- 10A	6313187-27	. . SHELF-LH FWD . . . . .	0905 0997	01 R
- 10B	6313187-29	. . SHELF-LH FWD . . . . .	0998 & ON	01 R
11	S3001-18	. BRACKET . . . . .		01
12	6313187-1	. ZEE CHANNEL . . . . .		02
13	6313187-2	. CHANNEL . . . . .		01
14	6313187-3	. ZEE CHANNEL . . . . .		01
15	MS21061L08	. NUTPLATE . . . . .		08
16	9108011-15	. SHELF ASSY . . . . .	0800 0904	01
- 16A	9108011-28	. SHELF ASSY . . . . .	0905 & ON	01
		. ATTACHING PARTS		
17	NAS1801-08-6	. SCREW . . . . .		14
18	S1477-08	. NUT . . . . .		10
19	S1477-8A	. NUT . . . . .		04
		—*—		
- 20	MS21075L08N	. . NUTPLATE . . . . .		04
21	6313081-57	. ANGLE-LH CENTER . . . . .		01
22	6313081-17	. CLIP-LH . . . . .		01
- 23	6313186-8	. AVIONICS FLOOR ASSY-LH AFT . . . . .		01
		. ATTACHING PARTS		
24	NAS1801-08-6	. SCREW . . . . .		16
25	S1477-08	. NUT . . . . .		09
26	S1477-8A	. NUT . . . . .		07
		—*—		
27	6313187-17	. SHELF . . . . .		01
28	6313187-7	. HAT SECTION . . . . .		01
29	6313187-26	. ANGLE . . . . .		01
30	6313187-6	. ZEE CHANNEL . . . . .		01
31	MS21059L3	. NUTPLATE . . . . .		04
- 31A	NAS1791A3-1	. . NUTPLATE ALT FOR MS21059L3 . . . . .		04 R
32		. ANGLE REFER TO 25-70-00 FIGURE 01 . . . . .		RF R
33	6313282-21	. ANGLE-LH . . . . .		01 R
34	6313081-59	. ANGLE-LH AFT . . . . .		01 R
35	6313182-1	. ANGLE-LH UPPER . . . . .		01 R
36	6313182-4	. STIFFENER-LH . . . . .		01 R
37	6313182-21	. ANGLE-INBOARD SHELF SUPPORT . . . . .		01 R
38	MS21069L3	. NUTPLATE . . . . .		02 R
39	6313081-29	. GUSSET-LH . . . . .		01 R
40	6313081-25	. INTERCOSTAL-LH . . . . .		01 R

- ITEM NOT ILLUSTRATED

CESSNA®  
MODEL 525 (SERIALS -0685 AND -0800 AND ON)  
ILLUSTRATED PARTS CATALOG

A94833



**DETAIL A**

NOSE BAGGAGE COMPARTMENT FLOOR  
FIGURE 01 (SHEET 2)

6310T1168  
A6313T1164

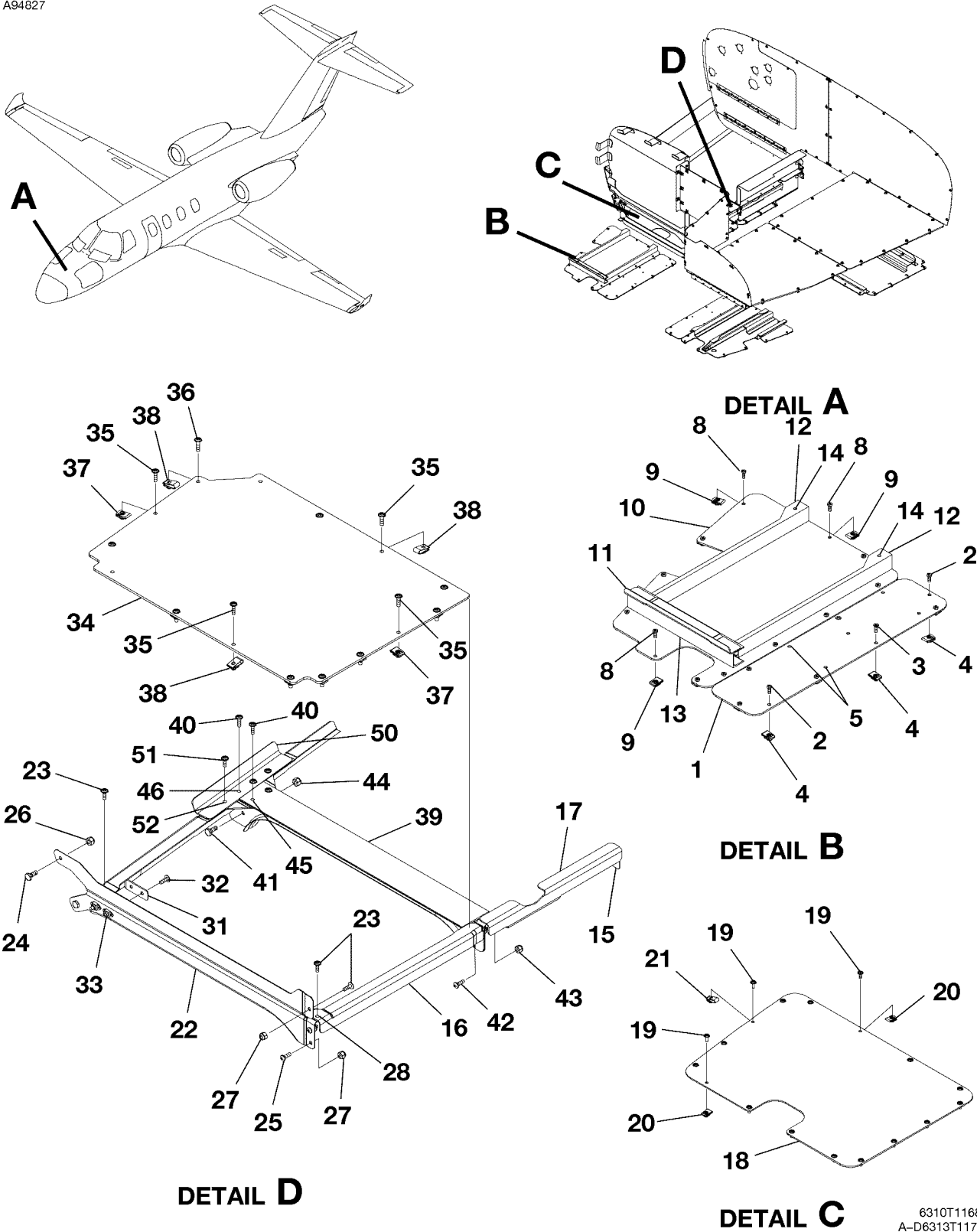
CESSNA®  
**MODEL 525 (SERIALS -0685 AND -0800 AND ON)**  
 ILLUSTRATED PARTS CATALOG

FIG ITEM	PART NUMBER	NOMENCLATURE	UNITS	
			PER	ASSY
01				
75	6313186-4	. SHELF ASSY-RH . . . . . ATTACHING PARTS		01
76	NAS1801-08-6	. SCREW . . . . .		06
77	NAS514P832-8	. SCREW . . . . .		02
78	MS21069L08	. NUTPLATE . . . . .		04
79	S1477-08	. NUT . . . . . —*—		08
- 80	MS21069L08	. . NUTPLATE . . . . .		06
- 81	6313186-6	. AVIONICS FLOOR ASSY-RH LOWER . . . . . ATTACHING PARTS		01
82	NAS1801-08-6	. SCREW . . . . .		14
83	S1477-08	. NUT . . . . . —*—		14
84	6313187-24	. . SHELF-RH FWD . . . . .		01
85	6313187-23	. . ANGLE . . . . .		01
86	6313187-4	. . CHANNEL . . . . .		02
87	6313187-5	. . CHANNEL . . . . .		01
88	MS21061L08	. . NUTPLATE . . . . .		02
- 89	6391120-6	. CLIP ASSY-RH USED WITH AIRCELL . . . . . ATTACHING PARTS	0800 0801	01
- 90	AN525-832R8	. SCREW . . . . .		01
- 91	MS27039C0808	. SCREW . . . . .		02
- 92	MS21044C08	. NUT . . . . . —*—		02
93	6313282-31	. FLOOR PANEL-RH FWD . . . . . ATTACHING PARTS		01
94	AN525-832R7	. SCREW . . . . .		16
95	S1477-08	. NUT . . . . .		12
96	S1477-8A	. NUT . . . . . —*—		04
- 97	6391120-4	. CLIP-USED WITH AIRCELL . . . . . ATTACHING PARTS	0800 0801	01
- 98	MS27039C0808	. SCREW . . . . .		02
- 99	MS21044C08	. NUT . . . . . —*—		02
- 100	6391120-5	. CLIP-USED WITH AIRCELL . . . . .	0800 0801	01
101	6313187-17	. SHELF-AFT . . . . . ATTACHING PARTS		01
102	AN525-832R7	. SCREW . . . . .		16
103	S1477-08	. NUT . . . . .		09
104	S1477-8A	. NUT . . . . . —*—		07
105	6313281-8	. WHEELWELL CLOSEOUT-RH . . . . .		01
106		. ANGLE REFER TO 25-70-00 FIGURE 01 . . . . .		RF
107	6313081-58	. ANGLE-RH CENTER . . . . .		01
108	6313081-60	. ANGLE-RH AFT . . . . .		01
109	6313081-18	. CLIP-RH . . . . .		01

- ITEM NOT ILLUSTRATED

CESSNA®  
**MODEL 525 (SERIALS -0685 AND -0800 AND ON)**  
 ILLUSTRATED PARTS CATALOG

A94827



**DETAIL D**  
**DETAIL C**  
**DETAIL B**  
**DETAIL A**  
 NOSE BAGGAGE COMPARTMENT FLOOR - USED WITH DROPPED FLOOR  
 FIGURE 01A (SHEET 1)

6310T1168  
 A-D6313T1174

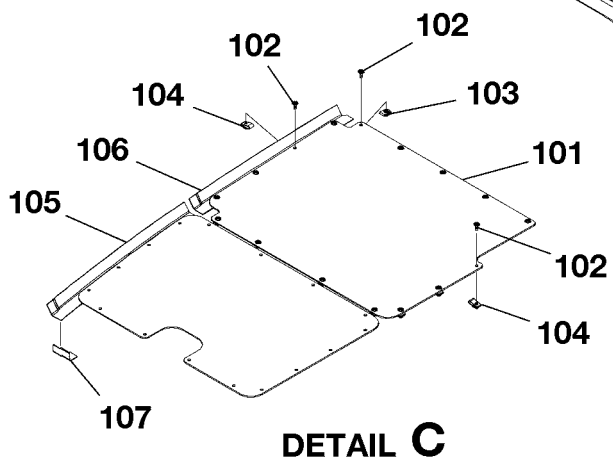
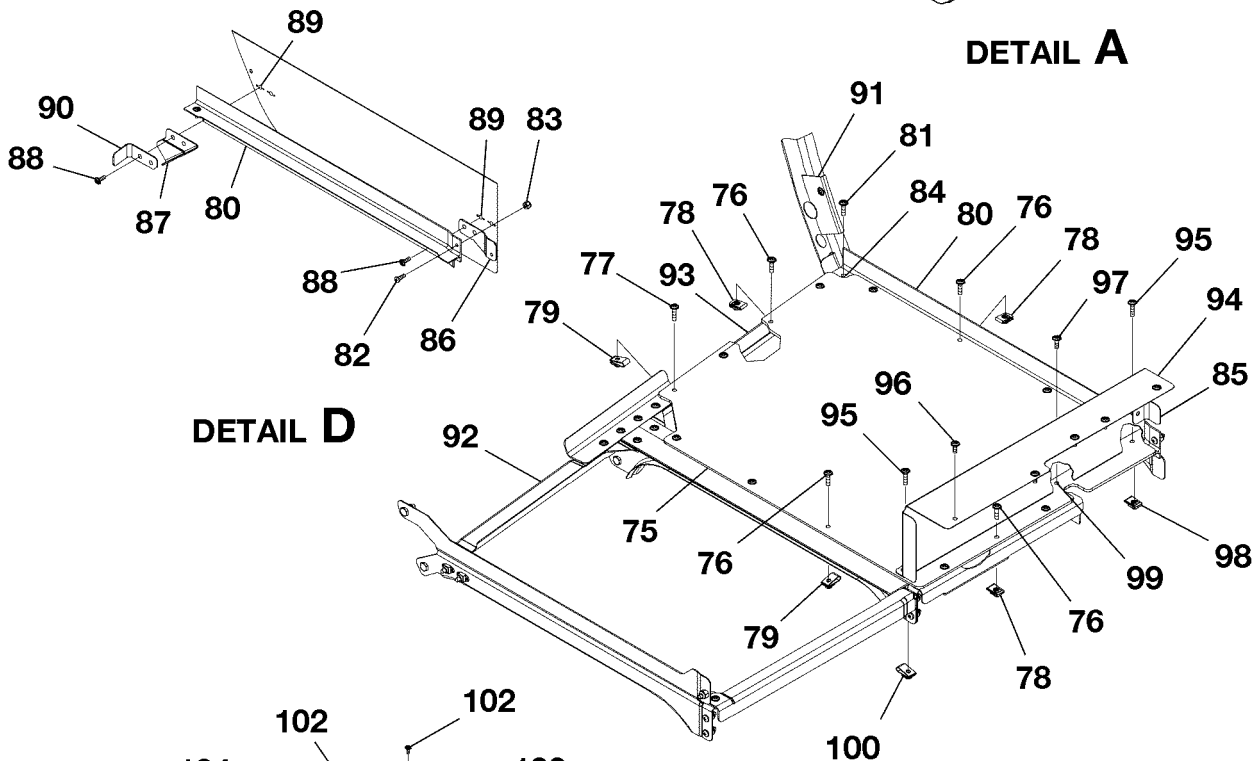
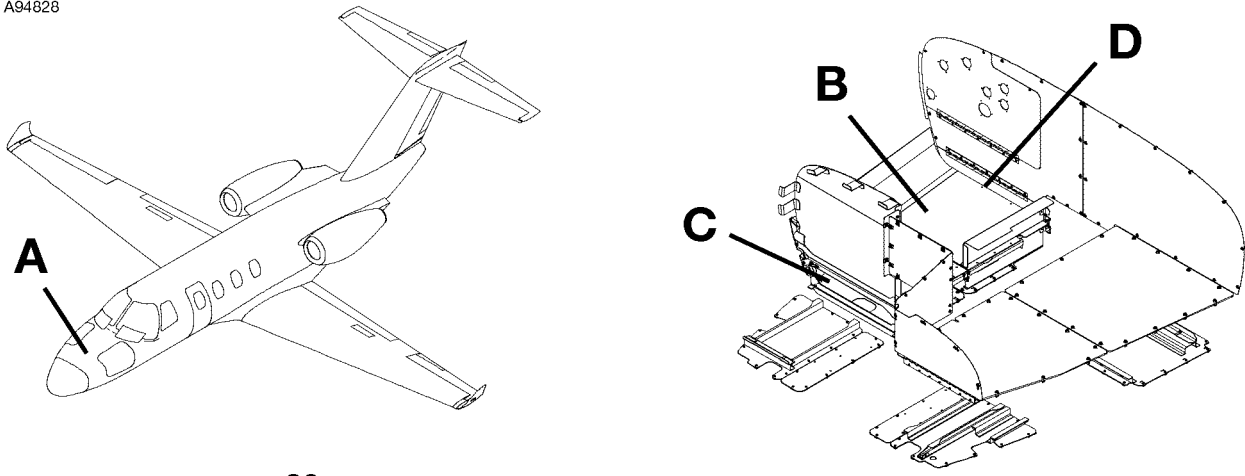
CESSNA®  
**MODEL 525 (SERIALS -0685 AND -0800 AND ON)**  
 ILLUSTRATED PARTS CATALOG

FIG ITEM	PART NUMBER	NOMENCLATURE	UNITS		
			PER	ASSY	
		1 2 3 4 5 6 7			
01A		NOSE BAGGAGE COMPARTMENT FLOOR - USED WITH DROPPED FLOOR	0800	0801	RF
- 1	6313186-4	. SHELF ASSY-RH . . . . .			01
		. ATTACHING PARTS			
2	NAS1801-08-6	. SCREW . . . . .			06
3	NAS514P832-8	. SCREW . . . . .			02
4	S1477-08	. NUT . . . . .			06
5	MS21069L08	. NUTPLATE . . . . .			02
		—*—			
- 6	MS21069L08	. . NUTPLATE . . . . .			06
- 7	6313186-6	. AVIONICS FLOOR ASSY-RH LOWER . . . . .			01
		. ATTACHING PARTS			
8	NAS1801-08-6	. SCREW . . . . .			14
9	S1477-08	. NUT . . . . .			14
		—*—			
10	6313187-24	. . SHELF-RH FWD . . . . .			01
11	6313187-23	. . ANGLE . . . . .			01
12	6313187-4	. . CHANNEL . . . . .			02
13	6313187-5	. . CHANNEL . . . . .			01
14	MS21061L08	. . NUTPLATE . . . . .			02
15	6313182-45	. . CLIP . . . . .			01
16	6313182-26	. . ANGLE-FWD . . . . .			01
17	6313182-27	. . ANGLE-MIDDLE . . . . .			01
18	6313182-50	. FLOOR PANEL-RH FWD . . . . .			01
		. ATTACHING PARTS			
19	AN525-832R7	. SCREW . . . . .			16
20	S1477-08	. NUT . . . . .			12
21	S1477-8A	. NUT . . . . .			04
		—*—			
22	6313182-47	. SUPPORT ASSY-FWD . . . . .			01
		. ATTACHING PARTS			
23	AN525-832R8	. SCREW . . . . .			03
24	AN3-4A	. BOLT . . . . .			02
25	MS27039C0808	. SCREW . . . . .			02
26	MS21044C3	. NUT . . . . .			02
27	MS21044C08	. NUT . . . . .			03
28	MS21076L08N	. NUTPLATE . . . . .			02
		—*—			
- 29	6313182-33	. . SUPPORT . . . . .			01
- 30	6313182-40	. . ANGLE . . . . .			01
31	6313182-43	. . CLIP-FWD . . . . .			01
		. ATTACHING PARTS			
32	AN525-832R8	. SCREW . . . . .			02
33	MS21075L08N	. NUTPLATE . . . . .			02
		—*—			
34	6313182-35	. FLOOR PANEL-RH FWD . . . . .			01
		. ATTACHING PARTS			
35	AN525-832R10	. SCREW . . . . .			12
36	AN525-832R11	. SCREW . . . . .			01
37	S1477-08	. NUT . . . . .			06
38	S1477-8A	. NUT . . . . .			07
		—*—			
39	6313182-51	. SUPPORT ASSY-AFT . . . . .			01
		. ATTACHING PARTS			
40	AN525-832R9	. SCREW . . . . .			04
41	AN3-4A	. BOLT . . . . .			02
42	MS27039C0808	. SCREW . . . . .			02
43	MS21044C08	. NUT . . . . .			02
44	MS21044C3	. NUT . . . . .			02
45	MS21076L08N	. NUTPLATE . . . . .			02
46	MS21047L08	. NUTPLATE . . . . .			02
		—*—			
- 47	6313182-53	. . SUPPORT-MIDDLE . . . . .			01
- 48	6313182-52	. . SUPPORT-AFT . . . . .			01
- 49	6313182-25	. . SHIM . . . . .			01
50	6313182-42	. STIFFENER . . . . .			01
		. ATTACHING PARTS			
51	AN525-832R8	. SCREW . . . . .			02
52	MS21076L08N	. NUTPLATE . . . . .			02
		—*—			

- ITEM NOT ILLUSTRATED

CESSNA®  
**MODEL 525 (SERIALS -0685 AND -0800 AND ON)**  
 ILLUSTRATED PARTS CATALOG

A94828



NOSE BAGGAGE COMPARTMENT FLOOR - USED WITH DROPPED FLOOR  
 FIGURE 01A (SHEET 2)

6310T1168  
 A-D6313T1174

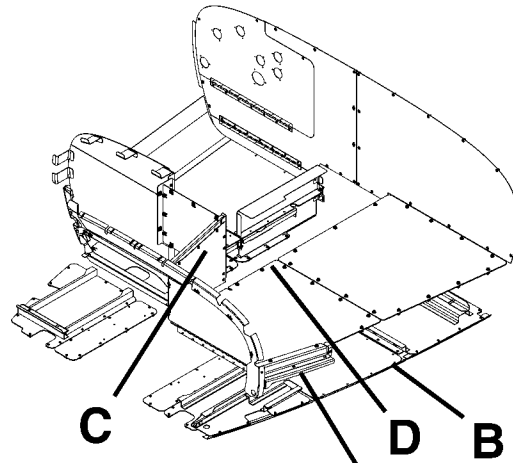
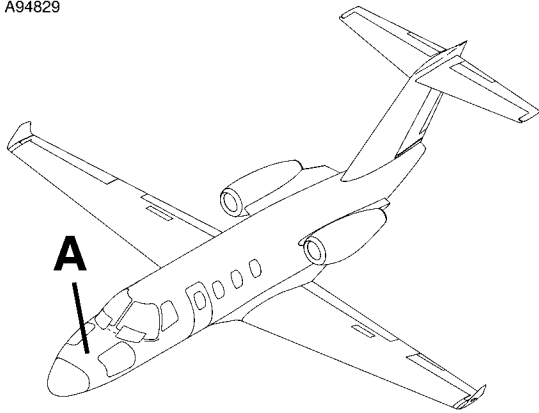
CESSNA®  
**MODEL 525 (SERIALS -0685 AND -0800 AND ON)**  
 ILLUSTRATED PARTS CATALOG

FIG ITEM	PART NUMBER	NOMENCLATURE	UNITS
			PER ASSY
		1 2 3 4 5 6 7	
01A			
75	6313182-36	. FLOOR PANEL-RH AFT . . . . . ATTACHING PARTS	01
76	AN525-832R10	. SCREW . . . . .	10
77	AN525-832R11	. SCREW . . . . .	01
78	S1477-08	. NUT . . . . .	08
79	S1477-8A	. NUT . . . . . —*—	03
80	6391113-3	. TEE-AFT . . . . . ATTACHING PARTS	01
81	AN525-832R8	. SCREW . . . . .	01
82	MS27039C0808	. SCREW . . . . .	01
83	MS21044C08	. NUT . . . . .	01
84	MS21076L08N	. NUTPLATE . . . . . —*—	01
85	6313080-28	. CLIP-RH . . . . .	01
86	6391113-4	. GUSSET . . . . .	01
87	6313182-34	. GUSSET . . . . . ATTACHING PARTS	01
88	AN525-832R8	. SCREW . . . . .	02
89	MS21076L08N	. NUTPLATE . . . . . —*—	02
90	6313182-41	. CLIP-AFT . . . . .	01
91	6313182-24	. SUPPORT-RH LOWER . . . . .	01
92	6313182-28	. ANGLE-RH FWD . . . . .	01
93	6313182-29	. ANGLE-RH AFT . . . . .	01
94	6313182-37	. COVER-RH . . . . . ATTACHING PARTS	01
95	AN525-832R11	. SCREW . . . . .	02
96	AN525-832R7	. SCREW . . . . .	05
97	AN525-832R8	. SCREW . . . . .	02
98	S1477-08	. NUT . . . . .	01
99	MS21076L08N	. NUTPLATE . . . . .	02
100	S1477-8A	. NUT . . . . . —*—	01
101	6313187-17	. SHELF-AFT . . . . . ATTACHING PARTS	01
102	AN525-832R7	. SCREW . . . . .	16
103	S1477-08	. NUT . . . . .	09
104	S1477-8A	. NUT . . . . . —*—	07
105	6313081-58	. ANGLE-RH CENTER . . . . .	01
106	6313081-60	. ANGLE-RH AFT . . . . .	01
107	6313081-18	. CLIP-RH . . . . .	01

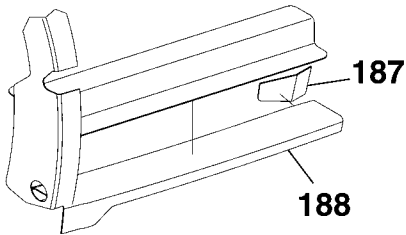
- ITEM NOT ILLUSTRATED

CESSNA®  
**MODEL 525 (SERIALS -0685 AND -0800 AND ON)**  
 ILLUSTRATED PARTS CATALOG

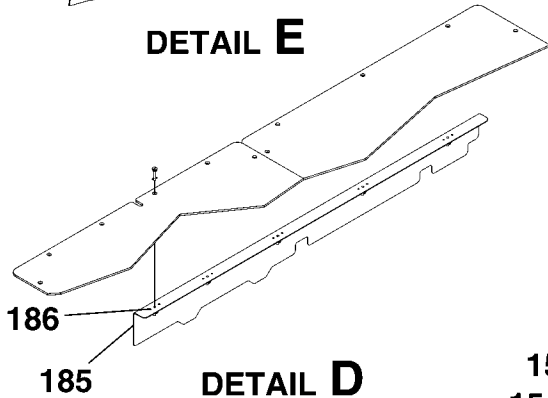
A94829



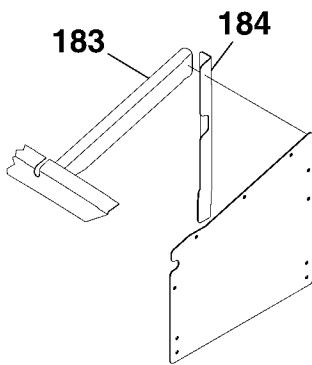
**DETAIL A**



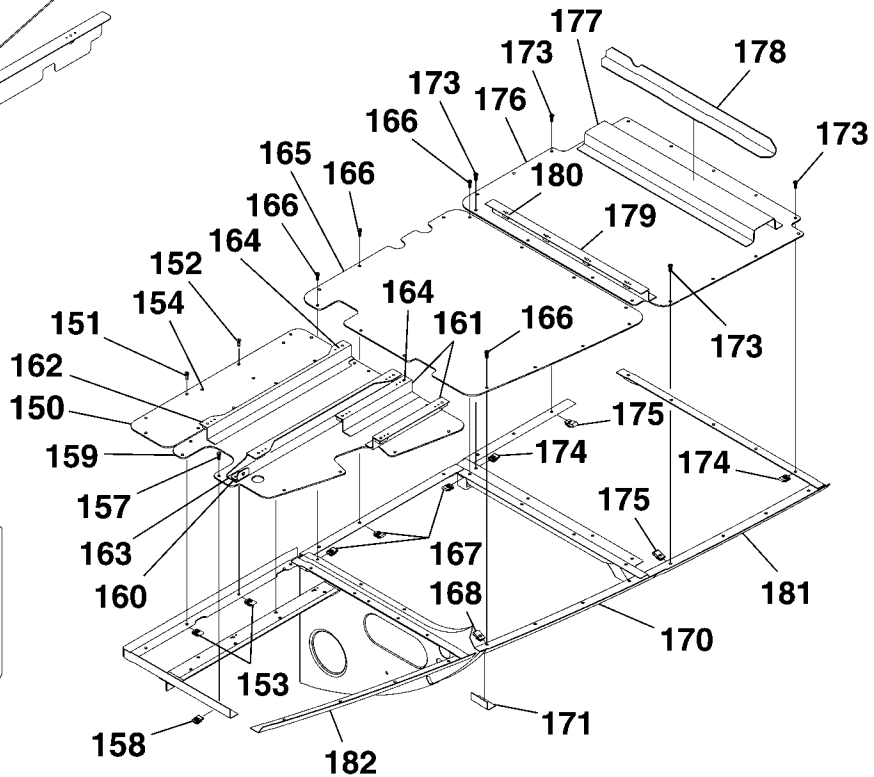
**DETAIL E**



**DETAIL D**



**DETAIL C**



**DETAIL B**

6310T1168  
 A-E6313T1174

**NOSE BAGGAGE COMPARTMENT FLOOR - USED WITH DROPPED FLOOR**  
**FIGURE 01A (SHEET 3)**



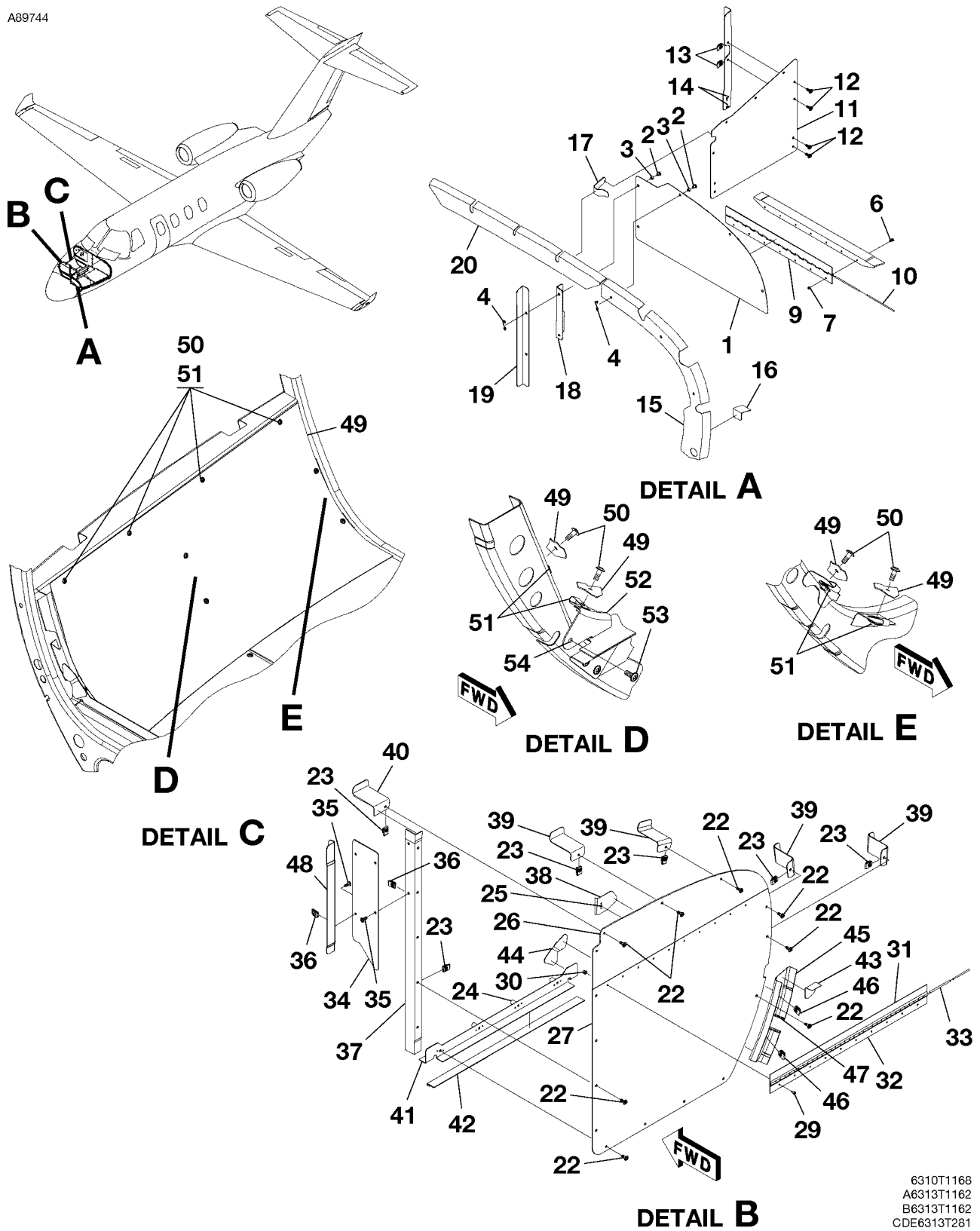
CESSNA®  
**MODEL 525 (SERIALS -0685 AND -0800 AND ON)**  
 ILLUSTRATED PARTS CATALOG

FIG ITEM	PART NUMBER	NOMENCLATURE	UNITS	
			PER	ASSY
01A				
150	6313186-3	. SHELF ASSY-LH . . . . .		01
		. ATTACHING PARTS . . . . .		
151	NAS1801-08-6	. SCREW . . . . .		06
152	NAS514P832-8	. SCREW . . . . .		02
153	S1477-08	. NUT . . . . .		06
154	MS21069L08	. NUTPLATE . . . . .		02
		—*—		
- 155	MS21069L08	. . NUTPLATE . . . . .		06
- 156	6313186-7	. AVIONICS FLOOR ASSY-LH LOWER . . . . .	0800 0904	01
- 156A	6313186-9	. AVIONICS FLOOR ASSY-LH LOWER . . . . .	0905 0997	01 R
- 156B	6313186-10	. AVIONICS FLOOR ASSY-LH LOWER . . . . .	0998 & ON	01 R
		. ATTACHING PARTS . . . . .		
157	NAS1801-08-6	. SCREW . . . . .		14
158	S1477-08	. NUT . . . . .		14
		—*—		
159	6313187-25	. . SHELF-LH FWD . . . . .	0800 0904	01
- 159A	6313187-27	. . SHELF-LH FWD . . . . .	0905 0997	01 R
- 159B	6313187-29	. . SHELF-LH FWD . . . . .	0998 & ON	01 R
160	S3001-18	. . BRACKET . . . . .		01
161	6313187-1	. . ZEE CHANNEL . . . . .		02
162	6313187-2	. . CHANNEL . . . . .		01
163	6313187-3	. . ZEE CHANNEL . . . . .		01
164	MS21061L08	. . NUTPLATE . . . . .		08
165	9108011-15	. SHELF ASSY . . . . .	0800 0904	01
- 165A	6313187-28	. SHELF ASSY . . . . .	0905 & ON	01
		. ATTACHING PARTS . . . . .		
166	NAS1801-08-6	. SCREW . . . . .		14
167	S1477-08	. NUT . . . . .		10
168	S1477-8A	. NUT . . . . .		04
		—*—		
- 169	MS21075L08N	. . NUTPLATE . . . . .		04
170	6313081-57	. ANGLE-LH CENTER . . . . .		01
171	6313081-17	. CLIP-LH . . . . .		01
- 172	6313186-8	. AVIONICS FLOOR ASSY-LH AFT . . . . .		01
		. ATTACHING PARTS . . . . .		
173	NAS1801-08-6	. SCREW . . . . .		16
174	S1477-08	. NUT . . . . .		09
175	S1477-8A	. NUT . . . . .		07
		—*—		
176	6313187-17	. . SHELF . . . . .		01
177	6313187-7	. . HAT SECTION . . . . .		01
178	6313187-26	. . ANGLE . . . . .		01
179	6313187-6	. . ZEE CHANNEL . . . . .		01
180	MS21059L3	. . NUTPLATE . . . . .		04
- 180A	NAS1791A3-1	. . NUTPLATE ALT FOR MS21059L3 . . . . .		04 R
181	6313282-21	. ANGLE-LH . . . . .		01 R
182	6313081-59	. ANGLE-LH AFT . . . . .		01 R
183	6313182-1	. ANGLE-LH UPPER . . . . .		01 R
184	6313182-4	. STIFFENER-LH . . . . .		01 R
185	6313182-21	. ANGLE-INBOARD SHELF SUPPORT . . . . .		01 R
186	MS21069L3	. NUTPLATE . . . . .		02 R
187	6313081-29	. GUSSET-LH . . . . .		01 R
188	6313081-25	. INTERCOSTAL-LH . . . . .		01 R

- ITEM NOT ILLUSTRATED

CESSNA®  
**MODEL 525 (SERIALS -0685 AND -0800 AND ON)**  
 ILLUSTRATED PARTS CATALOG

A89744



NOSE BAGGAGE COMPARTMENT DIVIDERS  
 FIGURE 02 (SHEET 1)

6310T1168  
 A6313T1162  
 B6313T1162  
 CDE6313T281

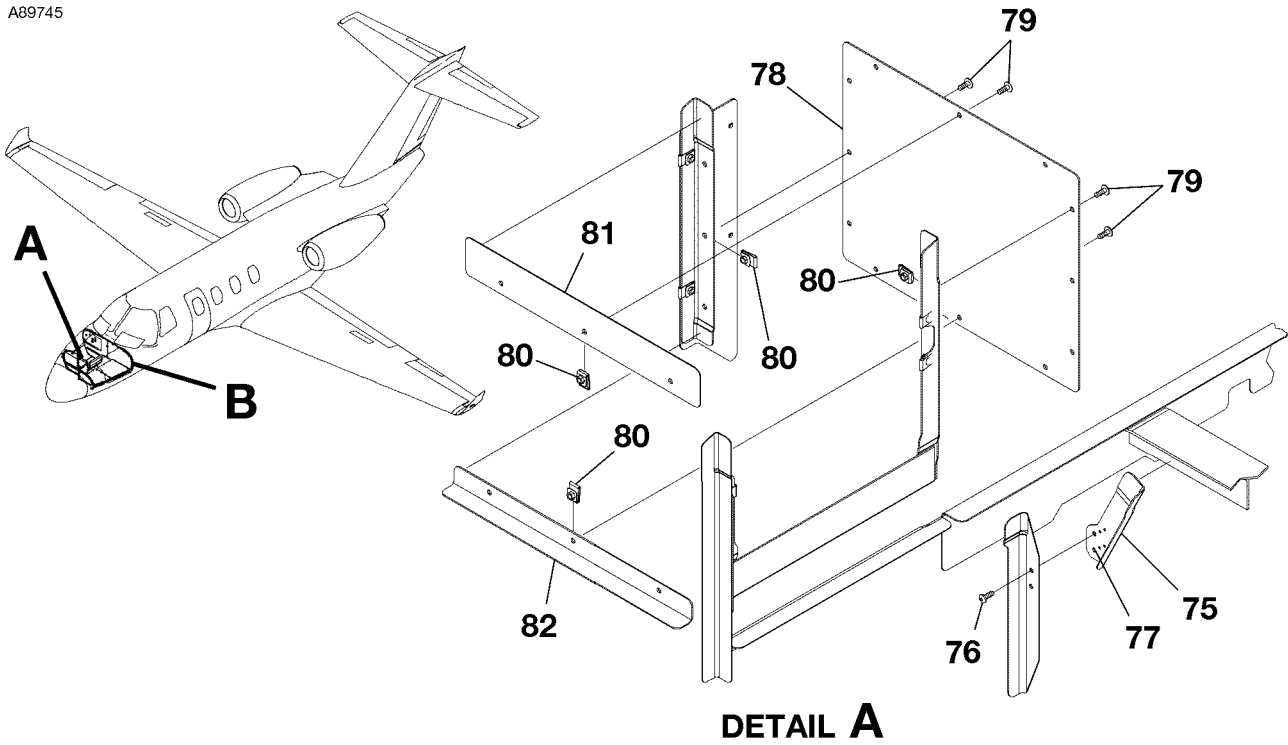
CESSNA®  
**MODEL 525 (SERIALS -0685 AND -0800 AND ON)**  
 ILLUSTRATED PARTS CATALOG

FIG ITEM	PART NUMBER	NOMENCLATURE	UNITS	
			PER	ASSY
02		NOSE BAGGAGE COMPARTMENT DIVIDERS		RF
- 1	6313182-9	. PANEL-LH FWD . . . . .		01
		. ATTACHING PARTS		
2	AJ3-20	. STUD . . . . . V72794		05
3	GH3	. HALF GROMMET . . . . . V72794		05
4	1219-3175-SS	. SPRING . . . . . V72794		05
		—*—		
- 5	6313080-48	. HINGE ASSY . . . . .		01
		. ATTACHING PARTS		
6	MS35206-214	. SCREW . . . . .		07
7	MS21042-04	. NUT . . . . .		07
- 8	NAS1291X04	. NUT-ALT FOR MS21042-04 . . . . .		07
		—*—		
9	MS20001PH5-1300	. . HINGE HALF . . . . .		02
10	MS20253P2-1264	. . HINGE PIN . . . . .		01
11	6313182-22	. PANEL ASSY . . . . .	0800	0928 01 R
- 11A	6313182-59	. PANEL ASSY . . . . .	0929	& ON 01 R
		. ATTACHING PARTS		
12	AN525-832R7	. SCREW . . . . .		10
13	S1477-08	. NUT . . . . .		06
14	MS21073L08	. NUTPLATE . . . . .		04
		—*—		
15	6313282-35	. SUPPORT . . . . .		01
16	6313081-23	. CLIP-LH . . . . .		01
17	6313182-17	. CLIP . . . . .		01
18	6313182-2	. STIFFENER-FWD . . . . .		01
19	6313080-37	. ANGLE-UPR . . . . .		01
20	6313080-14	. FRAME-CTR . . . . .		01
- 21	6313282-44	. PANEL ASSY-RH FWD . . . . .		01
		. ATTACHING PARTS		
22	AN525-832-R7	. SCREW . . . . .		15
23	S1477-08	. NUT . . . . .		10
24	NAS1473A08K	. NUTPLATE . . . . .		04
25	MS21075-08N	. NUTPLATE . . . . .		01
		—*—		
26	6313282-40	. . PANEL-RH FWD TOP . . . . .		01
27	6313282-39	. . PANEL-RH FWD BOTTOM . . . . .		01
- 28	6313282-41	. . HINGE ASSY . . . . .		01
		. ATTACHING PARTS		
29	S1021Z4-5C	. . SCREW . . . . .		10
30	S4215-1	. . NUT . . . . .		10
		—*—		
31	6313282-42	. . . HINGE HALF . . . . .		01
32	6313282-43	. . . HINGE HALF . . . . .		01
33	MS20253P2-1700	. . . HINGE PIN . . . . .		01
34	6313182-12	. PANEL-RH AFT . . . . .		01
		. ATTACHING PARTS		
35	AN525-832R7	. SCREW . . . . .		04
36	S1477-08	. NUT . . . . .		04
		—*—		
37	6313282-36	. ANGLE . . . . .		01
38	6313282-12	. ANGLE SUPPORT . . . . .		01
39	6313282-26	. ANGLE . . . . .		04
40	6313282-27	. ANGLE . . . . .		01
41	6313282-29	. ANGLE . . . . .		01
42	6313282-30	. ANGLE . . . . .		01
43	6313282-10	. CLIP . . . . .		01
44	6313282-11	. SPLICE . . . . .		01
45	6313282-66	. FRAME-RH . . . . .		01
46	S1477-08	. NUT . . . . .		02
47	S1050-1	. GROMMET-BKI . . . . .		AR
48	6313182-5	. STIFFENER-RH . . . . .		01
49	6513005-50	. SIDE PANEL-RH CLOSURE . . . . .		01
		. ATTACHING PARTS		
50	AN525-832R7	. SCREW . . . . .		08
51	S1477-08	. NUT . . . . .		08
		—*—		
52	6513005-34	. SUPPORT CLIP-RH . . . . .		01
		. ATTACHING PARTS		
53	AN3-3A	. BOLT . . . . .		01
54	MS21069L3	. NUTPLATE . . . . .		01
		—*—		

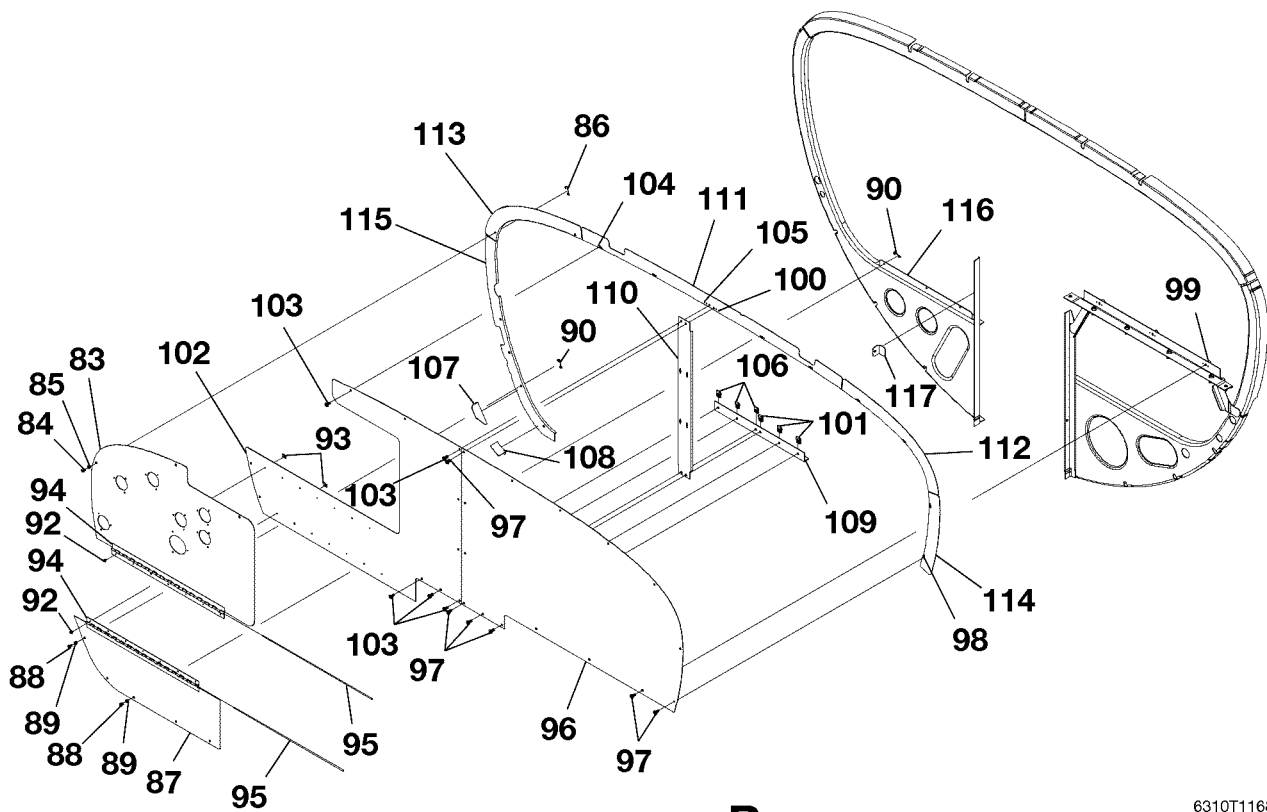
- ITEM NOT ILLUSTRATED

CESSNA®  
**MODEL 525 (SERIALS -0685 AND -0800 AND ON)**  
 ILLUSTRATED PARTS CATALOG

A89745



**DETAIL A**



**DETAIL B**

NOSE BAGGAGE COMPARTMENT DIVIDERS  
 FIGURE 02 (SHEET 2)

6310T1168  
 A6313T1162  
 B6313T1162

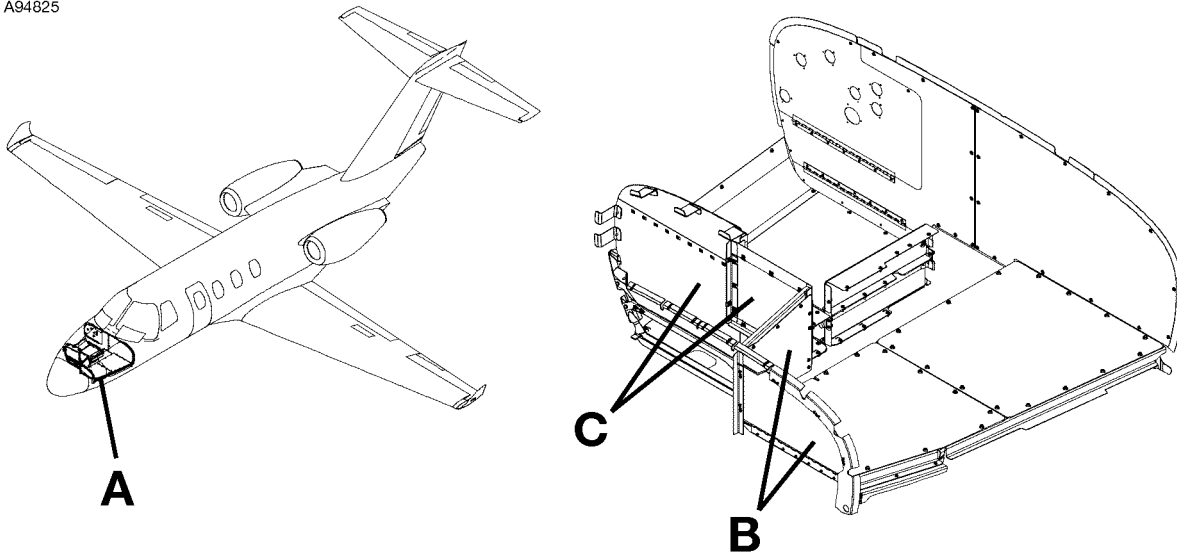
CESSNA®  
**MODEL 525 (SERIALS -0685 AND -0800 AND ON)**  
 ILLUSTRATED PARTS CATALOG

FIG ITEM	PART NUMBER	NOMENCLATURE	UNITS	
			PER	ASSY
02				
75	7113063-4	. BRACKET-INBD SHELF SUPPORT . . . . . ATTACHING PARTS		01
76	MS27039-0807	. SCREW . . . . .		02
77	MS21051L08	. NUTPLATE . . . . . —*—		02
78	6313182-11	. PANEL-AFT . . . . .	0800	0928 01 R
- 78A	6313182-58	. PANEL-AFT . . . . . ATTACHING PARTS	0929	& ON 01 R
79	AN525-832R7	. SCREW . . . . .		12
80	S1477-08	. NUT . . . . . —*—		12
81	6313182-3	. SUPPORT-UPR . . . . .		01
82	6313182-7	. ANGLE-AFT . . . . .		01
83	6313182-18	. ACCESS PANEL-RH AFT . . . . . ATTACHING PARTS		01
84	AJ3-20	. STUD . . . . . V72794		03
85	GH3	. HALF GROMMET . . . . . V72794		03
86	1219-3175-SS	. SPRING . . . . . V72794 —*—		03
87	6313319-8	. ACCESS PANEL-RH AFT LWR . . . . . ATTACHING PARTS		01
88	AJ3-20	. STUD . . . . . V72794		05
89	GH3	. HALF GROMMET . . . . . V72794		05
90	1219-3175-SS	. SPRING . . . . . V72794 —*—		05
- 91	6313080-34	. HINGE ASSY . . . . . ATTACHING PARTS		02
92	S1021Z4-4C	. SCREW . . . . .		07
93	S4215-1	. NUT . . . . . —*—		07
94	MS20257H3-1500	. HINGE HALF . . . . .		02
95	MS20253P2-1464	. HINGE PIN . . . . .		01
96	6313319-13	. ACCESS PANEL-LH AFT . . . . . ATTACHING PARTS		01
97	AN525-832R7	. SCREW . . . . .		15
98	MS21069L08K	. NUTPLATE . . . . .		08
99	NAS1473A08K	. NUTPLATE . . . . .		03
100	MS21051L08K	. NUTPLATE . . . . .		01
101	S1477-08	. NUT . . . . . —*—		03
102	6313182-14	. PANEL-AFT UPR . . . . .	0685 0685	01 R
- 102A	6313182-55	. PANEL-AFT UPR . . . . .	0800 0928	01 R
- 102B	6391120-3	. PANEL-AFT UPR USED WITH AIRCELL . . . . . ATTACHING PARTS	0929	& ON 01
103	AN525-832R7	. SCREW . . . . .		10
104	MS21069L08K	. NUTPLATE . . . . .		06
105	MS21051L08K	. NUTPLATE . . . . .		01
106	S1477-08	. NUT . . . . . —*—		03
107	6313319-10	. SUPPORT CLIP . . . . .		01
108	6513005-17	. SUPPORT CLIP . . . . .		01
109	6513006-31	. ANGLE . . . . .		01
110	6313080-24	. PLATE . . . . .		01
111	7113061-12	. SUPPORT-UPR CTR . . . . .		01
112	7113061-15	. SUPPORT-LH CTR . . . . .		01
113	7113061-16	. SUPPORT-RH CTR . . . . .		01
114	7113061-13	. SUPPORT-LH LWR . . . . .		01
115	6313182-16	. SUPPORT-RH . . . . .		01
116	6313319-9	. ANGLE . . . . .		01
117	6313080-28	. CLIP-RH . . . . .		01

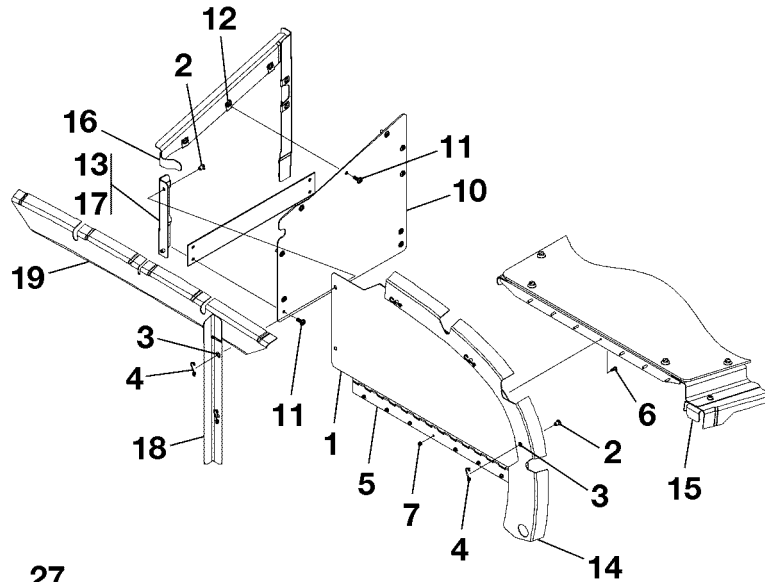
- ITEM NOT ILLUSTRATED

CESSNA®  
**MODEL 525 (SERIALS -0685 AND -0800 AND ON)**  
 ILLUSTRATED PARTS CATALOG

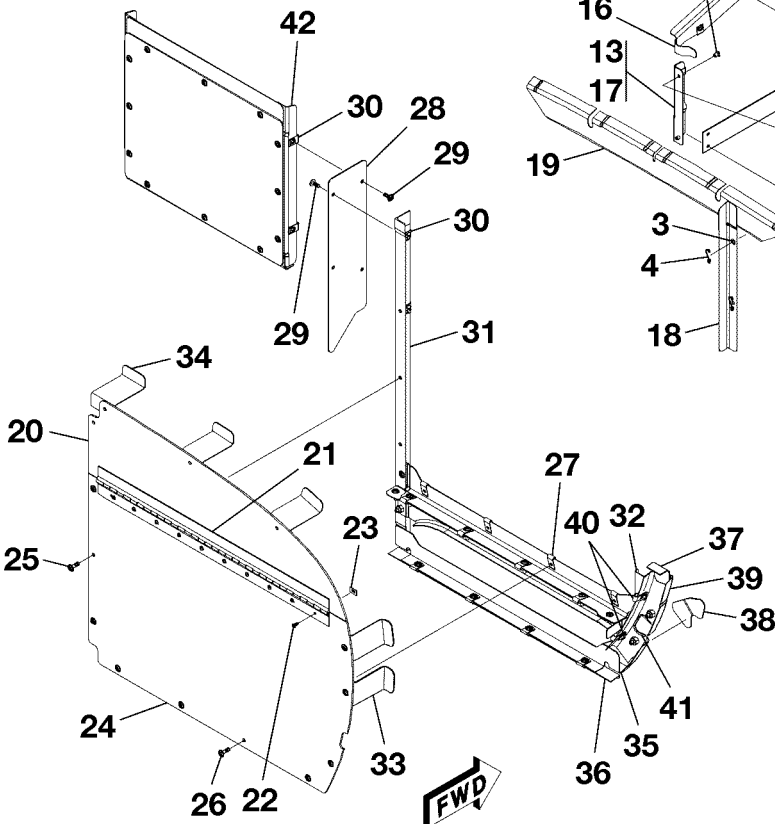
A94825



**DETAIL A**



**DETAIL B**



**DETAIL C**

NOSE BAGGAGE COMPARTMENT DIVIDERS - USED WITH DROPPED FLOOR  
 FIGURE 02A (SHEET 1)

6310T1168  
 A6313T183-1  
 B6313T183-1  
 C6313T183-1

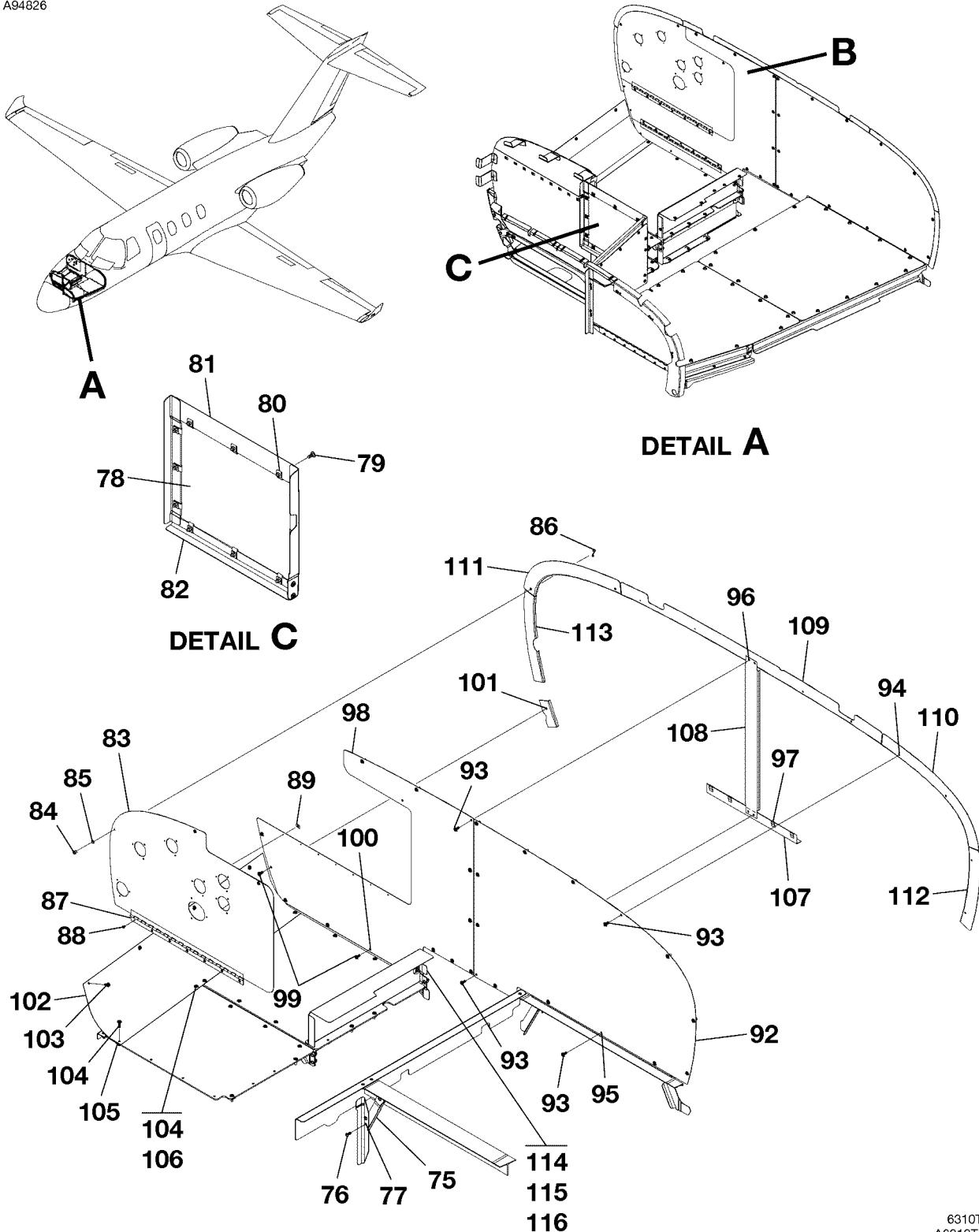
CESSNA®  
**MODEL 525 (SERIALS -0685 AND -0800 AND ON)**  
 ILLUSTRATED PARTS CATALOG

FIG ITEM	PART NUMBER	NOMENCLATURE	UNITS		PER ASSY
			1	2	
02A		NOSE BAGGAGE COMPARTMENT DIVIDERS - USED WITH DROPPED FLOOR	0800	0801	RF
- 1	6313182-9	. PANEL-LH FWD . . . . .			01
		. ATTACHING PARTS			
2	AJ3-20	. STUD . . . . . V72794			05
3	GH3	. HALF GROMMET . . . . . V72794			05
4	1219-3175-SS	. SPRING . . . . . V72794			05
		—*—			
5	6313080-48	. HINGE ASSY . . . . .			01
		. ATTACHING PARTS			
6	MS35206-214	. SCREW . . . . .			07
7	MS21042-04	. NUT . . . . .			07
		—*—			
- 8	MS20001PH5-1300	. . HINGE HALF . . . . .			02
- 9	MS20253P2-1264	. . HINGE PIN . . . . .			01
10	6313182-22	. PANEL ASSY . . . . .	0800	0928	01 R
- 10A	6313182-59	. PANEL ASSY . . . . .	0929	& ON	01 R
		. ATTACHING PARTS			
11	AN525-832R7	. SCREW . . . . .			10
12	S1477-08	. NUT . . . . .			06
13	MS21073L08	. NUTPLATE . . . . .			04
		—*—			
14	6313282-35	. SUPPORT . . . . .			01
15	6313081-23	. CLIP-LH . . . . .			01
16	6313182-17	. CLIP . . . . .			01
17	6313182-2	. STIFFENER-FWD . . . . .			01
18	6313080-37	. ANGLE-UPR . . . . .			01
19	6313080-14	. FRAME-CTR . . . . .			01
20	6313282-40	. PANEL-RH FWD TOP . . . . .			01
21	6313080-34	. HINGE ASSY . . . . .			01
		. ATTACHING PARTS			
22	S1021Z4-5C	. SCREW . . . . .			10
23	S3230-1	. NUT . . . . .			10
		—*—			
24	6313182-39	. PANEL-RH FWD . . . . .			01
		. ATTACHING PARTS			
25	AN525-832R7	. SCREW . . . . .			06
26	AN525-832R9	. SCREW . . . . .			04
27	S1477-8A	. NUT . . . . .			04
		—*—			
28	6313182-12	. PANEL-RH AFT . . . . .			01
		. ATTACHING PARTS			
29	AN525-832R7	. SCREW . . . . .			04
30	S1477-08	. NUT . . . . .			04
		—*—			
31	6313282-36	. ANGLE . . . . .			01
32	6313282-12	. ANGLE SUPPORT . . . . .			01
33	6313282-26	. ANGLE . . . . .			04
34	6313282-27	. ANGLE . . . . .			01
35	6313282-29	. ANGLE . . . . .			01
36	6313282-30	. ANGLE . . . . .			01
37	6313282-10	. CLIP . . . . .			01
38	6313282-11	. SPLICE . . . . .			01
39	6313282-66	. FRAME-RH . . . . .			01
40	S1477-08	. NUT . . . . .			02
41	S1050-1	. GROMMET-BKI . . . . .			AR
42	6313182-5	. STIFFENER-RH . . . . .			01

- ITEM NOT ILLUSTRATED

CESSNA®  
**MODEL 525 (SERIALS -0685 AND -0800 AND ON)**  
 ILLUSTRATED PARTS CATALOG

A94826



**DETAIL B**  
 NOSE BAGGAGE COMPARTMENT DIVIDERS - USED WITH DROPPED FLOOR  
 FIGURE 02A (SHEET 2)

6310T1168  
 A6313T183-1  
 B6313T183-1  
 C6313T183-1



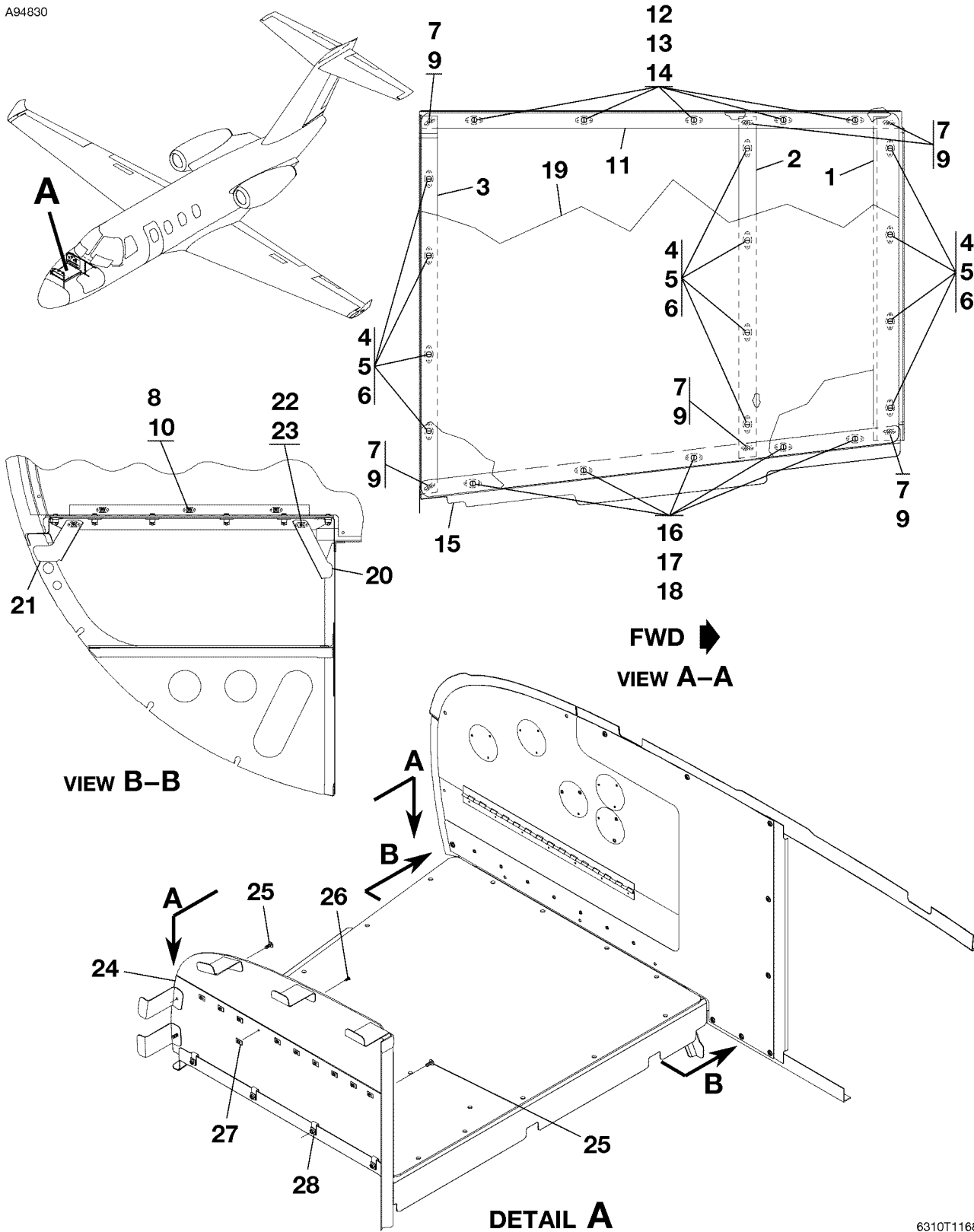
CESSNA®  
**MODEL 525 (SERIALS -0685 AND -0800 AND ON)**  
 ILLUSTRATED PARTS CATALOG

FIG ITEM	PART NUMBER	NOMENCLATURE	UNITS	
			PER	ASSY
02A				
75	7113063-4	. BRACKET-INBD SHELF SUPPORT . . . . . ATTACHING PARTS		01
76	MS27039-0807	. SCREW . . . . .		02
77	MS21051L08	. NUTPLATE . . . . . —*—		02
78	6313182-11	. PANEL-AFT . . . . .	0800	0928 01 R
- 78A	6313182-58	. PANEL-AFT . . . . . ATTACHING PARTS	0929	& ON 01 R
79	AN525-832R7	. SCREW . . . . .		12
80	S1477-08	. NUT . . . . . —*—		12
81	6313182-3	. SUPPORT-UPR . . . . .		01
82	6313182-7	. ANGLE-AFT . . . . .		01
83	6313182-18	. ACCESS PANEL-RH AFT . . . . . ATTACHING PARTS		01
84	AJ3-20	. STUD . . . . . V72794		03
85	GH3	. HALF GROMMET . . . . . V72794		03
86	1219-3175-SS	. SPRING . . . . . V72794 —*—		03
87	6313080-34	. HINGE ASSY . . . . . ATTACHING PARTS		01
88	S1021Z4-4C	. SCREW . . . . .		07
89	S4215-1	. NUT . . . . . —*—		07
- 90	MS20257H3-1500	. . HINGE HALF . . . . .		02
- 91	MS20253P2-1464	. . HINGE PIN . . . . .		01
92	6313319-13	. ACCESS PANEL-LH AFT . . . . . ATTACHING PARTS		01
93	AN525-832R7	. SCREW . . . . .		15
94	MS21069L08K	. NUTPLATE . . . . .		08
95	NAS1473A08K	. NUTPLATE . . . . .		03
96	MS21051L08K	. NUTPLATE . . . . .		01
97	S1477-08	. NUT . . . . . —*—		03
98	6313182-38	. PANEL-AFT UPR . . . . . ATTACHING PARTS		01
99	AN525-832R7	. SCREW . . . . .		14
100	MS21076L08N	. NUTPLATE . . . . .		04
101	MS21076L08	. NUTPLATE . . . . . —*—		02
102	6313182-44	. SIDE COVER-RH . . . . . ATTACHING PARTS		01
103	AN525-832R7	. SCREW . . . . .		04
104	AN525-832R10	. SCREW . . . . .		04
105	S1477-08	. NUT . . . . .		02
106	S1477-8A	. NUT . . . . . —*—		02
107	6513006-31	. ANGLE . . . . .		01
108	6313080-24	. PLATE . . . . .		01
109	7113061-12	. SUPPORT-UPR CTR . . . . .		01
110	7113061-15	. SUPPORT-LH CTR . . . . .		01
111	7113061-16	. SUPPORT-RH CTR . . . . .		01
112	7113061-13	. SUPPORT-LH LWR . . . . .		01
113	6313182-23	. SUPPORT-RH . . . . .		01
114	6313080-28	. CLIP-RH . . . . . ATTACHING PARTS		01
115	AN525-832R7	. SCREW . . . . .		01
116	S1477-08	. NUT . . . . . —*—		01

- ITEM NOT ILLUSTRATED

CESSNA®  
**MODEL 525 (SERIALS -0685 AND -0800 AND ON)**  
 ILLUSTRATED PARTS CATALOG

A94830



**DETAIL A**  
 AVIONICS COVER - NOSE  
 FIGURE 03 (SHEET 1)

6310T1168

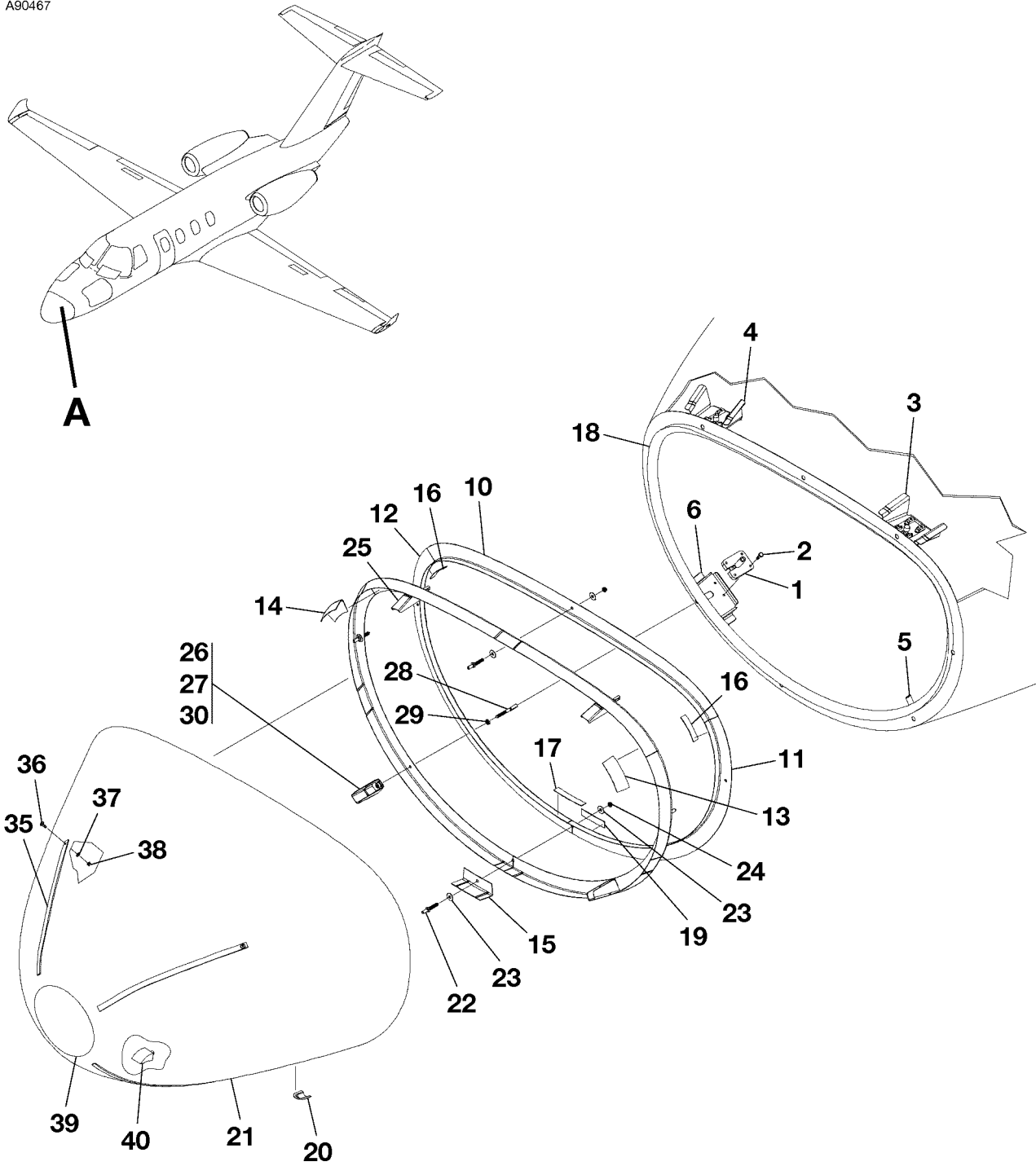
CESSNA®  
**MODEL 525 (SERIALS -0685 AND -0800 AND ON)**  
 ILLUSTRATED PARTS CATALOG

FIG ITEM	PART NUMBER	NOMENCLATURE	UNITS	
			PER	ASSY
03		AVIONICS COVER - NOSE		RF
-				
1	9156026-5	. SUPPORT-FWD . . . . .		01
2	6313180-20	. SUPPORT-MID . . . . .		01
3	9156026-6	. SUPPORT-AFT . . . . .		01
		ATTACHING PARTS		
4	S3275-6S	. STUD . . . . .		04
5	S3275E202	. RECEPTACLE . . . . .		04
6	S3275-300	. RETAINER RING . . . . .		04
7	MS24693S50	. SCREW . . . . .		02
8	AN525-832R7	. SCREW-AFT . . . . .		03
9	MS21070L08	. NUTPLATE . . . . .		02
10	MS21059L08	. NUTPLATE-AFT . . . . .		03
		—*—		
11	9156026-3	. ANGLE-INBD SHELF SUPPORT . . . . .	0685 0685	01 R
			0800 0928	
- 11A	6313182-56	. SUPPORT-AFT RH . . . . .	0929 & ON	01 R
- 11B	6313182-57	. SUPPORT-AFT LH . . . . .	0929 & ON	01 R
		ATTACHING PARTS		
12	S3275-6S	. STUD . . . . .		05
13	S3275E202	. RECEPTACLE . . . . .		05
14	S3275-300	. RETAINER RING . . . . .		05
		—*—		
15	9156026-2	. SUPPORT-OUTBD . . . . .		01
		ATTACHING PARTS		
16	S3275-5S	. STUD . . . . .		05
17	S3275E202	. RECEPTACLE . . . . .		05
18	S3275-300	. RETAINER RING . . . . .		05
		—*—		
19	6313180-19	. COVER . . . . .		01
20	9156026-10	. BRACKET-INBD SHELF SUPPORT . . . . .		01
21	9156026-9	. BRACKET-OUTBD SHELF SUPPORT . . . . .		01
		ATTACHING PARTS		
22	MS27039-0807	. SCREW . . . . .		01
23	MS21060L08	. NUTPLATE . . . . .		01
		—*—		
24	6313282-61	. PANEL-RH FWD . . . . .		01
		ATTACHING PARTS		
25	AN525-832R7	. SCREW . . . . .		08
26	S1021Z4-5C	. SCREW . . . . .		10
27	S3230-1	. NUT . . . . .		10
28	S1477-8A	. NUT . . . . .		04
		—*—		

- ITEM NOT ILLUSTRATED

CESSNA®  
MODEL 525 (SERIALS -0685 AND -0800 AND ON)  
ILLUSTRATED PARTS CATALOG

A90467



**DETAIL A**

RADOME INSTALLATION  
FIGURE 01 (SHEET 1)

6310T1168  
A6313T1156

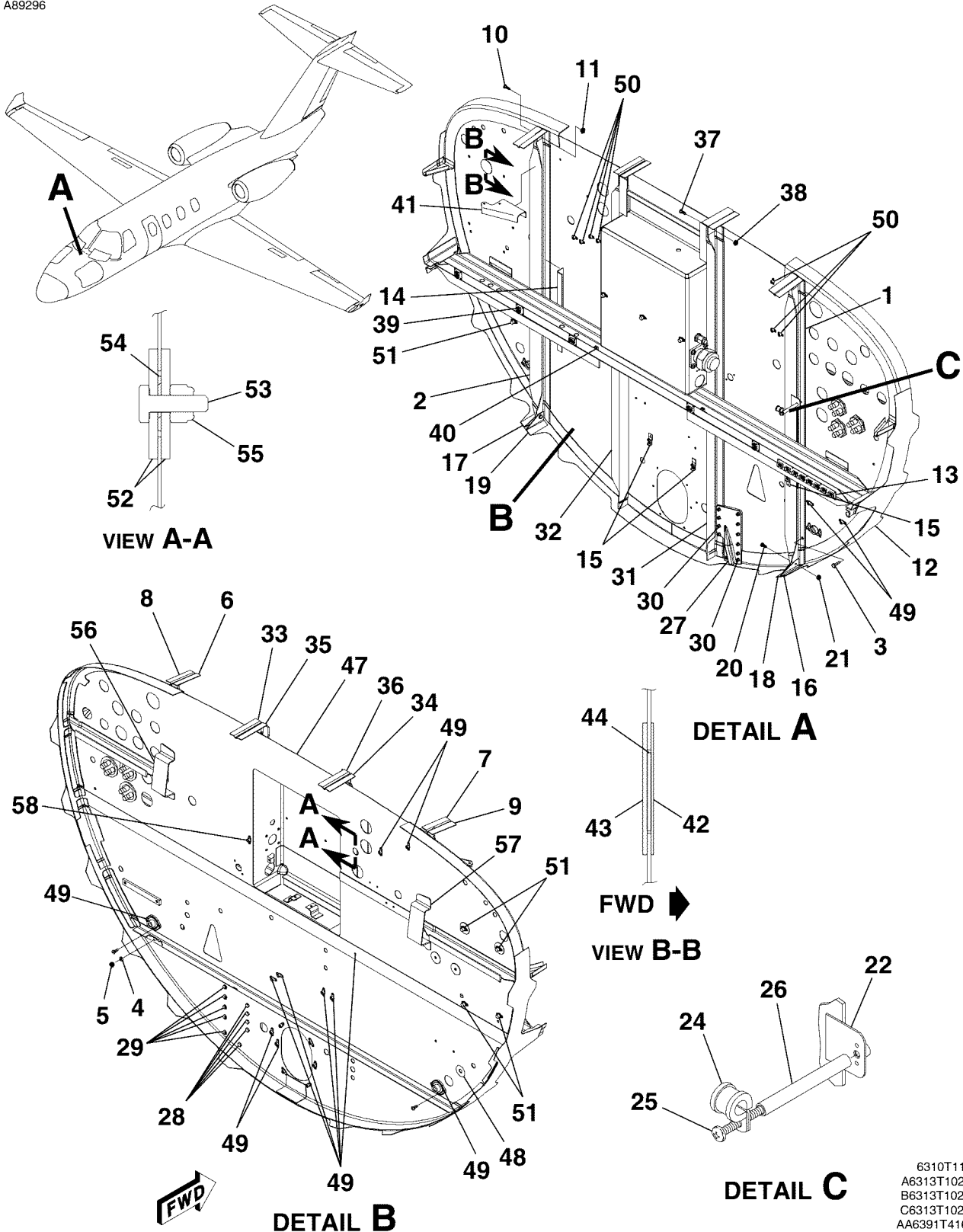
CESSNA®  
**MODEL 525 (SERIALS -0685 AND -0800 AND ON)**  
 ILLUSTRATED PARTS CATALOG

FIG ITEM	PART NUMBER	NOMENCLATURE	UNITS
			PER ASSY
		1 2 3 4 5 6 7	
01			
-		RADOME INSTALLATION	RF
1	S2893-15	. ROTARY LATCH ASSY . . . . .	04
		ATTACHING PARTS	
2	AN3-6A	. BOLT . . . . .	04
		—*—	
3	6313100-19	. RADOME BRACKET ASSY-LH UPPER . . . . .	01
4	6313100-20	. RADOME BRACKET ASSY-RH UPPER . . . . .	01
5	6313100-27	. RADOME BRACKET ASSY-LH LOWER . . . . .	01
6	6313100-28	. RADOME BRACKET ASSY-RH LOWER . . . . .	01
- 7	MS21061L3	. NUTPLATE . . . . .	04
- 8	6313101-47	. RADOME ASSY FSO 6313101-202 . . . . .	NP
- 9	6313101-202	. RADOME ASSY . . . . .	01
10	6313101-11	. FRAME-UPPER OUTSIDE . . . . .	01
11	6313101-9	. FRAME-LH OUTSIDE . . . . .	01
12	6313101-10	. FRAME-RH OUTSIDE . . . . .	01
13	6313101-13	. DOUBLER-LH UPPER . . . . .	01
14	6313101-14	. DOUBLER-RH UPPER . . . . .	01
15	6313101-42	. DOUBLER-LOWER . . . . .	01
16	6313101-20	. DOUBLER STRIP . . . . .	02
17	6313101-21	. DOUBLER STRIP . . . . .	01
18	6313101-23	. SEAL . . . . .	01
19	6313101-24	. SEAL SPLICE . . . . .	01
20	6313101-25	. SCUPPER . . . . .	01
21	6313101-46	. RADOME BOND ASSY . . . . .	01
22	6313100-17	. GUIDE PIN . . . . .	04
		ATTACHING PARTS	
23	S1450-4-12-032	. WASHER . . . . .	02
24	MS21042-4	. NUT . . . . .	01
		—*—	
25	6313101-15	. CHANNEL BRACKET . . . . .	02
26	6313101-16	. CHANNEL BRACKET . . . . .	02
27	6313101-17	. ATTACH CLIP . . . . .	04
		ATTACHING PARTS	
28	S2895-2	. EYEBOLT . . . . .	01
29	AN316-4R	. NUT . . . . .	01
30	MS21073L4	. NUTPLATE . . . . .	01
		—*—	
- 31	6313101-203	. GUIDE PLATE FOR SPARES ONLY . . . . .	02
- 32	6313101-204	. GUIDE PLATE FOR SPARES ONLY . . . . .	02
		ATTACHING PARTS	
- 33	MS27039C1-09	. SCREW . . . . .	02
- 34	MS21073-3	. NUTPLATE . . . . .	02
		—*—	
35	S2800-582	. LIGHTNING DIVERTER STRIP . . . . .	04
		ATTACHING PARTS	
36	S4189-2	. SCREW-WASHER HEAD . . . . .	01 R
37	MS35333-39	. WASHER-LOCK, FLAT . . . . .	01
38	AN315-3R	. NUT . . . . .	01
		—*—	
39	6313101-51	. EROSION BOOT . . . . .	01
40		. ANTENNA-GLIDESLOPE SYSTEM REFER TO 34-30-00 FIGURE 01 . . . . .	RF

- ITEM NOT ILLUSTRATED

CESSNA®  
**MODEL 525 (SERIALS -0685 AND -0800 AND ON)**  
 ILLUSTRATED PARTS CATALOG

A89296



**DETAIL B**  
 FORWARD PRESSURE BULKHEAD  
 FIGURE 01 (SHEET 1)

6310T1168  
 A6313T1028A  
 B6313T1028A  
 C6313T1028A  
 AA6391T416-1

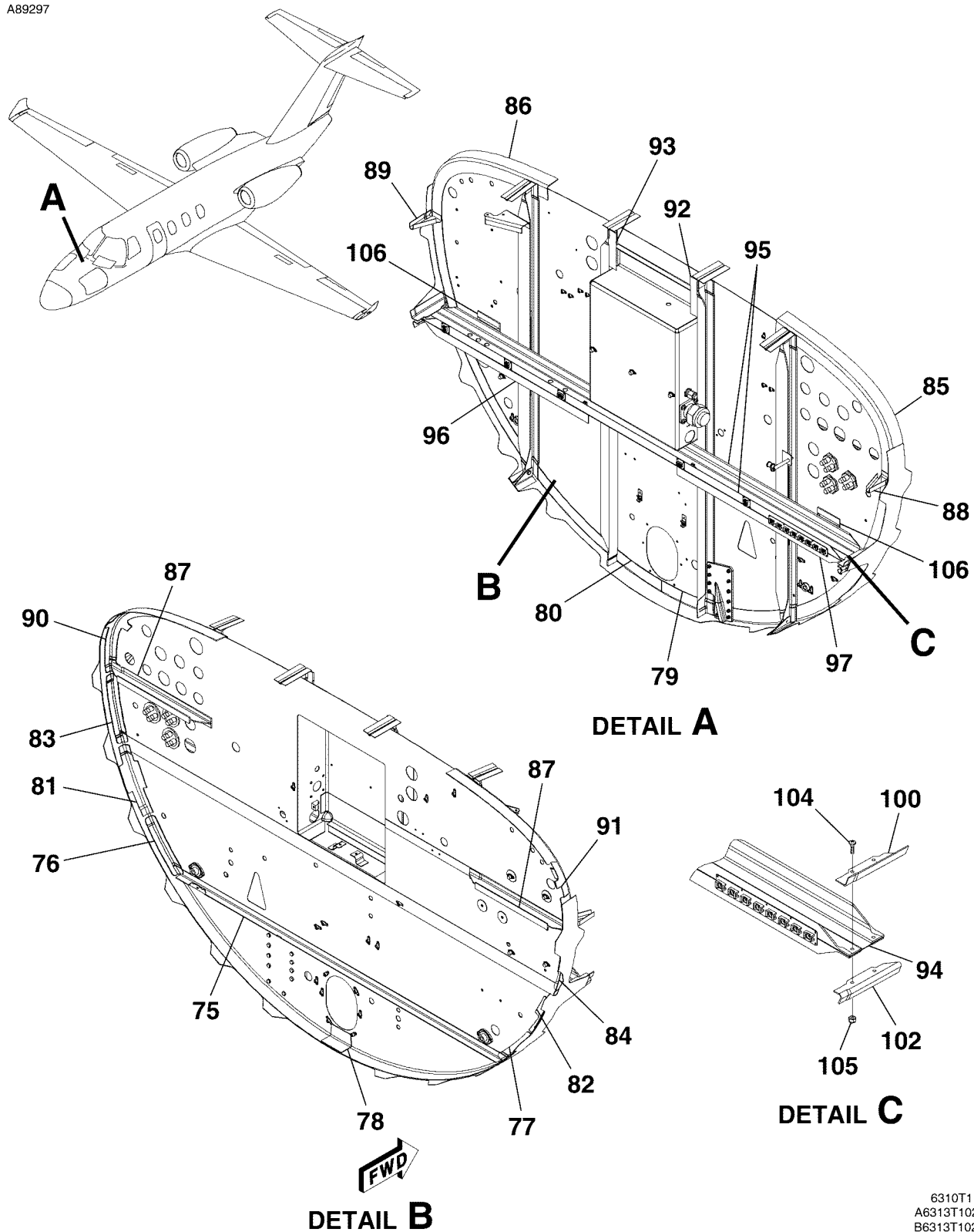
CESSNA®  
**MODEL 525 (SERIALS -0685 AND -0800 AND ON)**  
 ILLUSTRATED PARTS CATALOG

FIG ITEM	PART NUMBER	NOMENCLATURE	UNITS	
			PER	ASSY
01		FORWARD PRESSURE BULKHEAD		RF
- 1	5511041-9	. SUPPORT-LH		01
2	5511041-8	. SUPPORT-RH		01
		. ATTACHING PARTS		
3	AN3-5	. BOLT		01
4	NAS1149F0363P	. WASHER		01
5	MS21045L3	. NUT		01
		—*—		
6	6311040-23	. ANGLE-LH UPPER INBOARD		01
7	6311040-24	. ANGLE-RH UPPER INBOARD		01
8	6311040-25	. ANGLE-LH UPPER OUTBOARD		01
9	6311040-26	. ANGLE-RH UPPER OUTBOARD		01
		. ATTACHING PARTS		
10	MS27039-1-08	. SCREW		01
11	MS21045L3	. NUT		01
		—*—		
12	5511040-76	. BAND		01
13	9654611-3	. ANCHOR ASSY		01
14	5511040-16	. ANGLE		04
15	S3529-1A1	. ANCHOR ASSY		03
16	6311040-7	. ANGLE-LH LOWER OUTBOARD		01
17	6311040-8	. ANGLE-RH LOWER OUTBOARD		01
18	6311040-9	. ANGLE-LH LOWER INBOARD		01
19	6311040-10	. ANGLE-RH LOWER INBOARD		01
		. ATTACHING PARTS		
20	MS27039-1-08	. SCREW		01
21	MS21045L3	. NUT		01
		—*—		
22	6311040-12	. PLATE ASSY		01
- 23	MS21069L3	. NUTPLATE		01
24	MS21919WDG6	. CLAMP		01
		. ATTACHING PARTS		
25	MS35207-274	. SCREW		01
26	NAS43DD3-125N	. SPACER		01
		—*—		
27	6511285-1	. FITTING BACKUP JACK PAD		01
		. ATTACHING PARTS		
28	AN3-3A	. BOLT		05
29	AN3-4A	. BOLT		05
30	MS21042L3	. NUT		10
- 30A	NAS1291-3	. NUT ALT FOR MS21042L3		10 R
		—*—		
31	5511041-7	. SUPPORT-LH		01 R
32	5511041-6	. SUPPORT-RH		01 R
33	5511040-107	. ANGLE-LH		01 R
34	5511040-108	. ANGLE-RH		01 R
35	5511040-105	. ANGLE-LH		01 R
36	5511040-106	. ANGLE-RH		01 R
		. ATTACHING PARTS		
37	MS27039-1-09	. SCREW		01 R
38	MS21045L3	. NUT		01 R
		—*—		
39	9654194-2	. ANCHOR		05 R
- 39A	ASMS-A-T	. ANCHOR ALT FOR 9654194-2	V06383	05 R
40	S3529-1B1	. ANCHOR ASSY		02 R
41	6314171-31	. BRACKET		01 R
42	6391112-13	. DOUBLER	0800 0869	01 R
43	6391112-14	. DOUBLER	0800 0869	01 R
44	6391112-12	. FILLER	0800 0869	01 R
- 45	NAS1149F0332P	. WASHER	0800 0869	04 R
- 46	6311416-1	. WEB ASSY		01 R
47	6311416-2	. WEB BOND ASSY		01 R
48	6314006-6	. DOUBLER		01 R
49	MS21047L3	. NUTPLATE		20 R
50	MS21069-08	. NUTPLATE		08 R
51	NAS1474A3	. NUTPLATE		06 R
52	6391416-3	. DOUBLER		02 R
53	AN3-5A	. BOLT		01 R
54	6391416-2	. FILLER		01 R
55	MS21044N3	. NUT		01 R
56	6311405-21	. HAT BEAM-LH		01 R
57	6311405-22	. HAT BEAM-RH		01 R
58	MS21047L3	. NUTPLATE		01 R

- ITEM NOT ILLUSTRATED

CESSNA®  
**MODEL 525 (SERIALS -0685 AND -0800 AND ON)**  
 ILLUSTRATED PARTS CATALOG

A89297



**FORWARD PRESSURE BULKHEAD**  
 FIGURE 01 (SHEET 2)

6310T1168  
 A6313T1028A  
 B6313T1028A  
 C6313T1028A



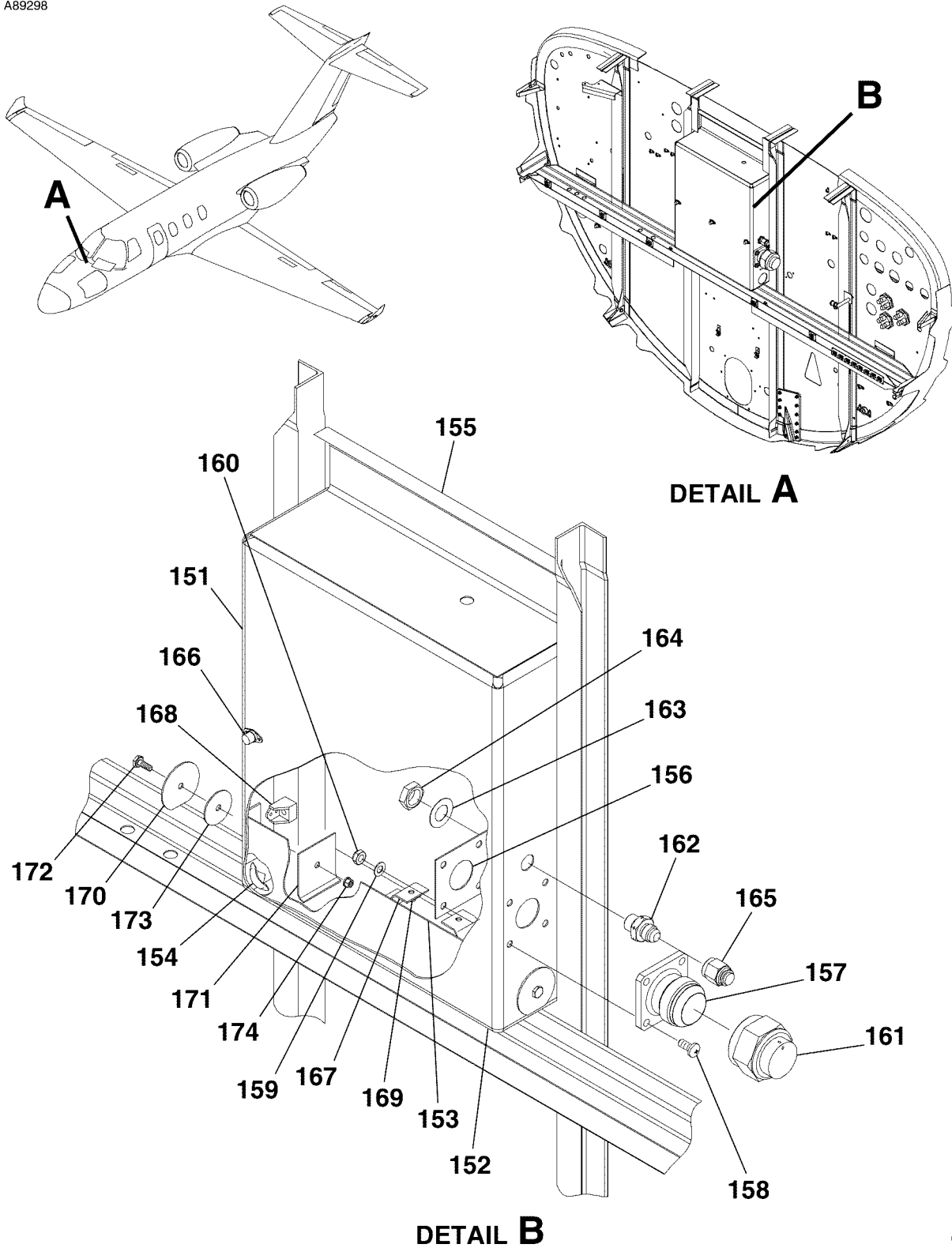
CESSNA®  
**MODEL 525 (SERIALS -0685 AND -0800 AND ON)**  
 ILLUSTRATED PARTS CATALOG

FIG ITEM	PART NUMBER	NOMENCLATURE	UNITS
			PER ASSY
01			
75	5511041-12	. SUPPORT . . . . .	01
76	6311183-35	. ANGLE-LH LOWER . . . . .	01
77	6311183-36	. ANGLE-RH LOWER . . . . .	01
78	5511040-81	. SPLICE . . . . .	01 R
79	5511040-77	. ANGLE-LH . . . . .	01 R
80	5511040-78	. ANGLE-RH . . . . .	01 R
81	6311183-41	. ANGLE-LH LOWER MID . . . . .	01 R
82	6311183-42	. ANGLE-RH LOWER MID . . . . .	01 R
83	6311183-37	. ANGLE-LH MID . . . . .	01 R
84	6311183-38	. ANGLE-RH MID . . . . .	01 R
85	5511040-59	. ANGLE-LH . . . . .	01 R
86	5511040-60	. ANGLE-RH . . . . .	01 R
87	6311183-8	. BEAM-HORIZONTAL STIFFENER . . . . .	02 R
88	5511040-39	. GUSSET-LH . . . . .	01 R
89	5511040-40	. GUSSET-RH . . . . .	01 R
90	6311294-21	. ANGLE-LH UPPER . . . . .	01 R
91	6311183-40	. ANGLE-RH UPPER . . . . .	01 R
92	5511041-15	. SUPPORT-LH . . . . .	01 R
93	5511041-14	. SUPPORT-RH . . . . .	01 R
94	5510005-8	. WEB . . . . .	01 R
95	5510006-1	. ANGLE . . . . .	02 R
96	5510006-2	. ANGLE . . . . .	02 R
97	5510006-3	. ANGLE . . . . .	02 R
		ATTACHING PARTS	
- 98	HL10VBJ4-6	. PIN-HI-LOK . . . . . V73197	06 R
- 99	HL97DU-4	. COLLAR-HI-LOK . . . . . V73197	06 R
		—*—	
100	5510005-9	. ANGLE-LH . . . . .	01 R
- 101	5510005-10	. ANGLE-RH . . . . .	01 R
102	5510005-11	. ANGLE-LH . . . . .	01 R
- 103	5510005-12	. ANGLE-RH . . . . .	01 R
		ATTACHING PARTS	
104	MS27039-1-10	. SCREW . . . . .	02 R
105	MS21045L3	. NUT . . . . .	02 R
		—*—	
106	5510005-7	. SUPPORT . . . . .	02 R

- ITEM NOT ILLUSTRATED

CESSNA®  
MODEL 525 (SERIALS -0685 AND -0800 AND ON)  
ILLUSTRATED PARTS CATALOG

A89298



FORWARD PRESSURE BULKHEAD  
FIGURE 01 (SHEET 3)

6310T1168  
A6313T1128A  
B6313T1129

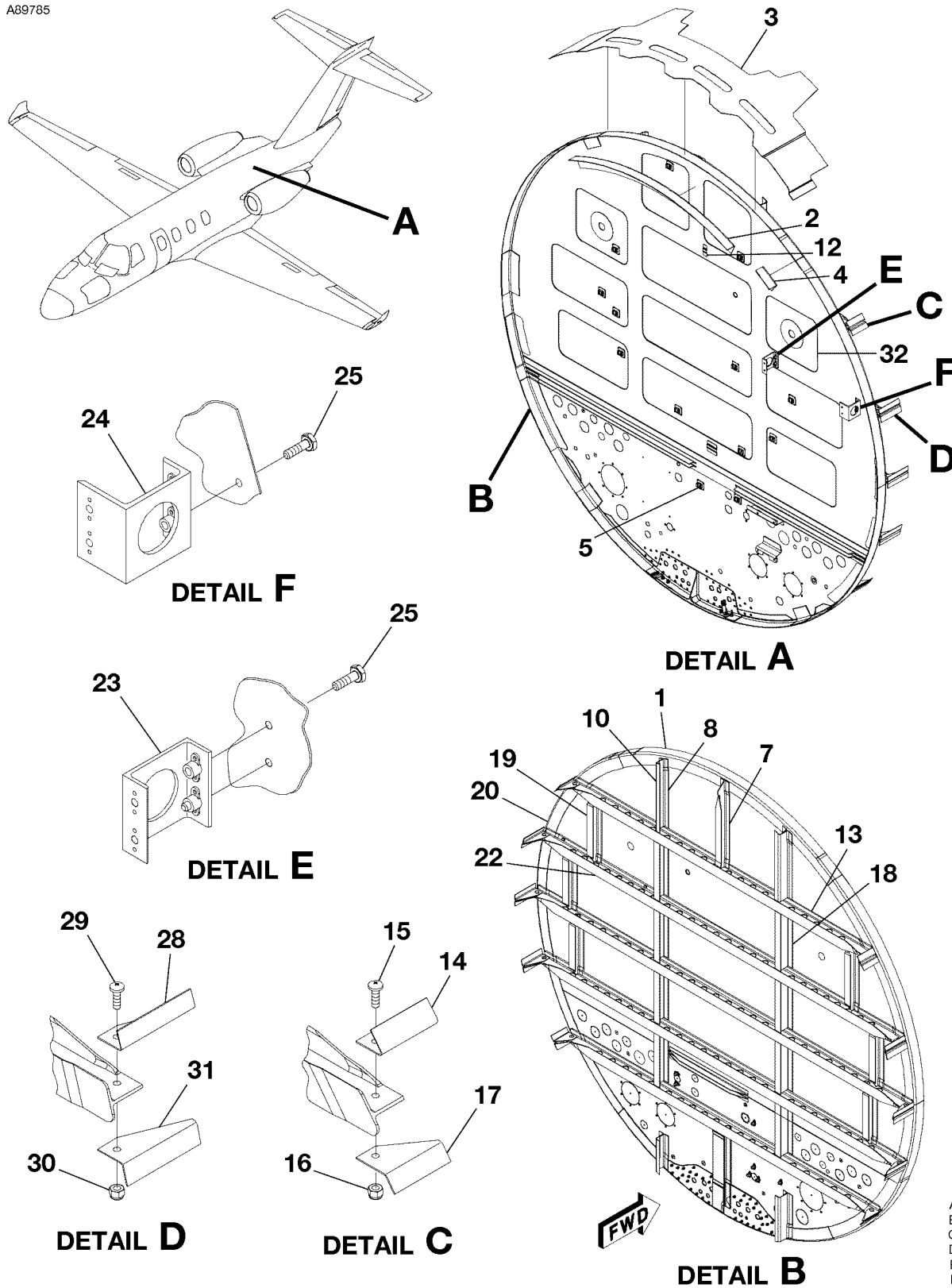
CESSNA®  
**MODEL 525 (SERIALS -0685 AND -0800 AND ON)**  
 ILLUSTRATED PARTS CATALOG

FIG ITEM	PART NUMBER	NOMENCLATURE	1 2 3 4 5 6 7							UNITS PER ASSY
01										
- 150	6311294-17	. BOX ASSY . . . . .								01
151	6311040-15	. BOX . . . . .								01
152	5511040-15	. COVER . . . . .								01
153	6311294-15	. BOX DOUBLER . . . . .								02
154	5522330-2	. CORNER SEAL . . . . .								04
155	5511040-66	. COVER-UPPER . . . . .								01
156	5511040-50	. STIFFENER . . . . .								01
157	MS20760-D20	. CONNECTOR . . . . .								01
		ATTACHING PARTS								
158	MS27039-4-09	. SCREW . . . . .								04
159	NAS1149F0432P	. WASHER . . . . .								04
160	MS21083N4	. NUT . . . . .								04
- 160A	NAS1022N4	. NUT ALT FOR MS21083N4 . . . . .								04 R
		—*—								
161	AN929A20	. CAP ASSY . . . . .								01 R
162	MS21900W6	. ADAPTER . . . . .								01 R
163	NAS1149D0916K	. WASHER . . . . .								01 R
164	AN924-6D	. NUT . . . . .								01 R
165	AN929A6	. CAP ASSY . . . . .								01 R
166	NAS1474A3	. NUTPLATE . . . . .								03 R
167	6311040-17	. BRACKET . . . . .								02 R
168	NAS1033A3	. NUTPLATE . . . . .								02 R
169	MS21075L3N	. NUTPLATE . . . . .								02 R
170	6391112-4	. DOUBLER . . . . .						0830	& ON	02 R
171	6391112-5	. DOUBLER . . . . .						0830	& ON	02 R
		ATTACHING PARTS								
172	AN3-4	. BOLT . . . . .								01 R
173	6391112-3	. SPACER . . . . .								01 R
174	MS21042L3	. NUT . . . . .								01 R
		—*—								

- ITEM NOT ILLUSTRATED

CESSNA®  
**MODEL 525 (SERIALS -0685 AND -0800 AND ON)**  
 ILLUSTRATED PARTS CATALOG

A89785



6310T1168  
 A6311T1165  
 B6311T1165  
 C6311T1165  
 D6311T1165  
 E6311T1165  
 F6311T1165

AFT PRESSURE BULKHEAD  
 FIGURE 02 (SHEET 1)

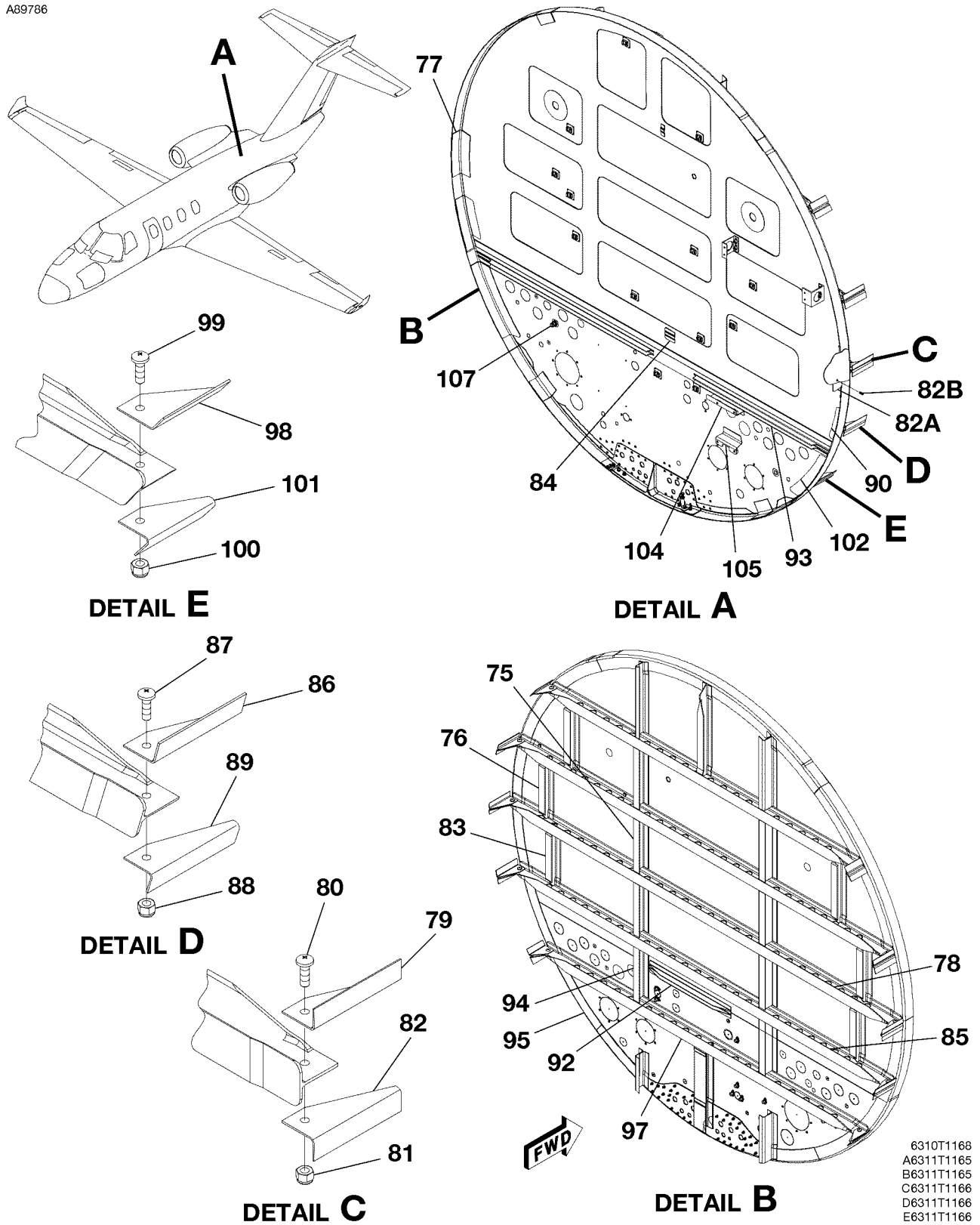
CESSNA®  
**MODEL 525 (SERIALS -0685 AND -0800 AND ON)**  
 ILLUSTRATED PARTS CATALOG

FIG ITEM	PART NUMBER	NOMENCLATURE	UNITS
			PER ASSY
		1 2 3 4 5 6 7	
02		AFT PRESSURE BULKHEAD	RF
-			
1	6311213-13	. FRAME ANGLE-UPR . . . . .	01
2	6311213-20	. DOUBLER-UPR . . . . .	01
3	6311112-49	. DOUBLER-UPR OUTER . . . . .	01
4	6311312-16	. DOUBLER . . . . .	04
5	ASMS-A-T	. ANCHOR . . . . . V06383	13
-	9654194-2	. ANCHOR-ALT FOR ASMS-A-T . . . . .	13
7	6311213-26	. BEAM-UPR CTR . . . . .	01
8	6311213-37	. SUPPORT ANGLE-LH UPR . . . . .	01
-	6311213-38	. SUPPORT ANGLE-RH UPR . . . . .	01
10	6311213-27	. SUPPORT-LH UPR . . . . .	01
-	6311213-28	. SUPPORT-RH UPR . . . . .	01
12	6314760-2	. RESTRAINT CLIP . . . . .	01
13	6311213-25	. BEAM-UPR . . . . .	01
14	6311112-9	. ANGLE . . . . .	02
		ATTACHING PARTS	
15	MS27039-4-12	. SCREW . . . . .	01
16	MS21044N4	. NUT . . . . .	01
		—*—	
17	6311112-11	. ANGLE . . . . .	02
18	6311213-29	. SUPPORT-MID UPR . . . . .	02
19	5511050-50	. BEAM-MID UPR OUTBD . . . . .	02
20	6311213-11	. FRAME ANGLE-LH UPR . . . . .	01
-	6311213-12	. FRAME ANGLE-RH UPR . . . . .	01
22	6311213-24	. BEAM-MID UPR . . . . .	01
23	5514985-3	. CHANNEL ASSY-INBD . . . . .	01
24	6519180-8	. CHANNEL ASSY-OUTBD . . . . .	01
		ATTACHING PARTS	
25	AN3-5A	. BOLT . . . . .	04
		—*—	
-	MS21069L3	. NUTPLATE-INBD . . . . .	04
-	MS21069L3	. NUTPLATE-OUTBD . . . . .	02
28	6311112-13	. ANGLE . . . . .	02
		ATTACHING PARTS	
29	MS27039-4-12	. SCREW . . . . .	01
30	MS21044N4	. NUT . . . . .	01
		—*—	
31	6311112-15	. ANGLE . . . . .	02
32	6311312-27	. WEB BOND ASSY-UPR . . . . .	01

- ITEM NOT ILLUSTRATED

CESSNA®  
**MODEL 525 (SERIALS -0685 AND -0800 AND ON)**  
 ILLUSTRATED PARTS CATALOG

A89786



AFT PRESSURE BULKHEAD  
 FIGURE 02 (SHEET 2)

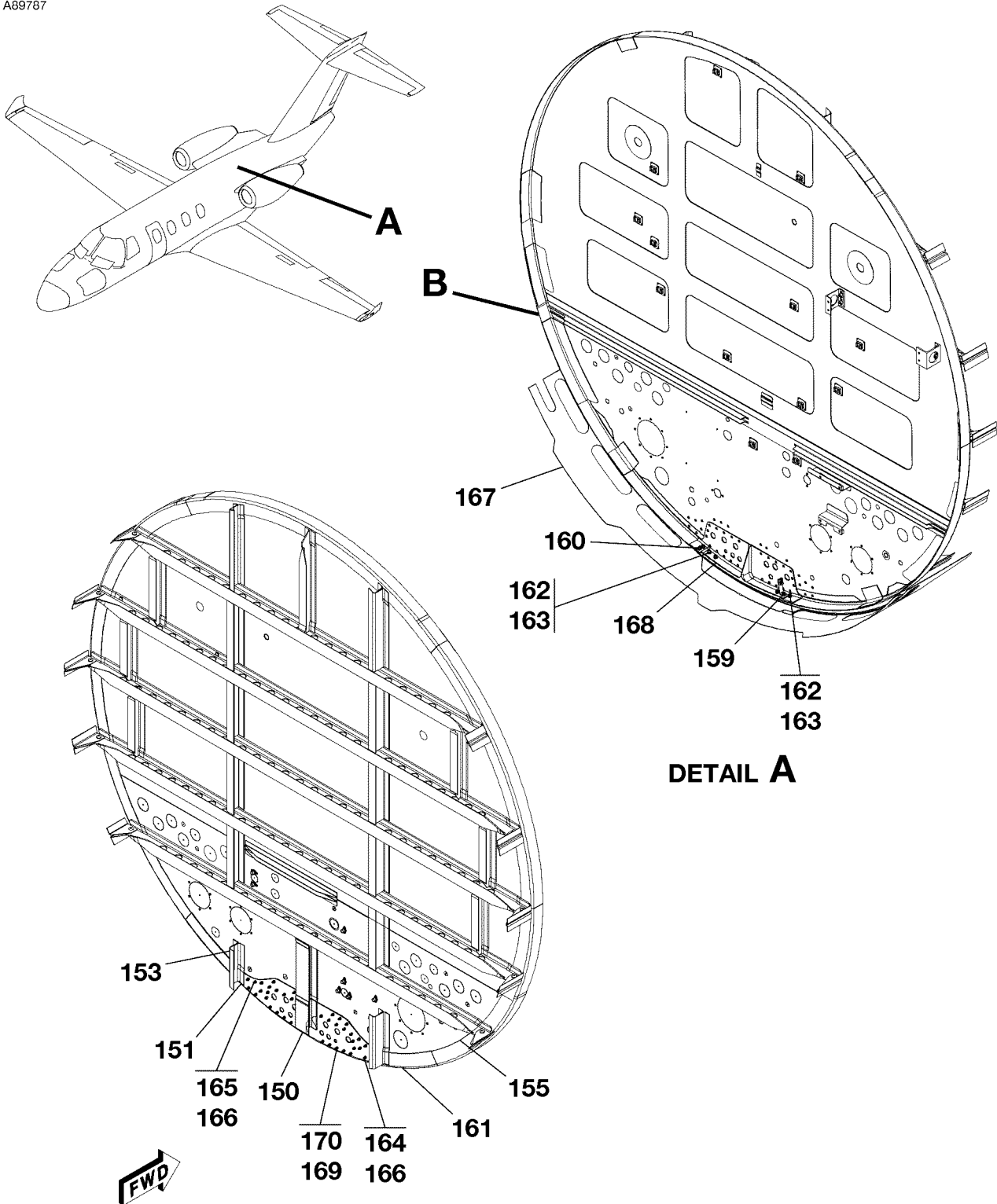
CESSNA®  
**MODEL 525 (SERIALS -0685 AND -0800 AND ON)**  
 ILLUSTRATED PARTS CATALOG

FIG ITEM	PART NUMBER	NOMENCLATURE	UNITS
			PER ASSY
		1 2 3 4 5 6 7	
02			
75	6311213-30	. SUPPORT-MID . . . . .	04
76	5511050-51	. BEAM-MID OUTBD . . . . .	02
77	6311213-19	. DOUBLER . . . . .	02
78	6311213-23	. BEAM-MID . . . . .	01
79	6311112-35	. ANGLE . . . . .	02
		ATTACHING PARTS	
80	MS27039-4-12	. SCREW . . . . .	01
81	MS21044N4	. NUT . . . . .	01
		—*—	
82	6311112-36	. ANGLE . . . . .	02
82A	6311001-2	. DOUBLER ASSY . . . . .	02
		ATTACHING PARTS	
82B	MS18063-36	. SETSCREW . . . . .	01
		—*—	
- 82C	NAS1473A3	. . NUTPLATE . . . . .	01
83	5511050-52	. BEAM-MID LWR OUTBD . . . . .	02
84	6314760-3	. RESTRAINT CLIP . . . . .	01
85	6311213-22	. BEAM-MID LWR . . . . .	01
86	6311112-16	. ANGLE . . . . .	02
		ATTACHING PARTS	
87	MS27039-4-12	. SCREW . . . . .	01
88	MS21044N4	. NUT . . . . .	01
		—*—	
89	6311112-14	. ANGLE . . . . .	02
90	6311213-17	. DOUBLER-LH . . . . .	01
- 91	6311213-18	. DOUBLER-RH . . . . .	01
92	6311112-53	. SPLICE . . . . .	01
93	6311112-54	. BEAM-FWD LWR . . . . .	01
94	6311213-31	. SUPPORT-MID LWR . . . . .	02
95	6311213-9	. FRAME ANGLE-LH LWR . . . . .	01
- 96	6311213-10	. FRAME ANGLE-RH LWR . . . . .	01
97	6311213-21	. BEAM-LWR . . . . .	01
98	6311112-12	. ANGLE . . . . .	02
		ATTACHING PARTS	
99	MS27039-4-12	. SCREW . . . . .	01
100	MS21044N4	. NUT . . . . .	01
		—*—	
101	6311112-10	. ANGLE . . . . .	02
102	6311213-15	. DOUBLER-LH . . . . .	01
- 103	6311213-16	. DOUBLER-RH . . . . .	01
104	6311312-29	. SUPPORT ASSY-UPR . . . . .	01
105	6311312-31	. SUPPORT ASSY-LWR . . . . .	01
- 106	MS21061L3	. . NUTPLATE . . . . .	02
107	5-70-30	. ADAPTER . . . . . V05209	01
- 108	KA91-02	. TNC CONNECTOR-ALT FOR 5-70-30 . . . . . V91836	01

- ITEM NOT ILLUSTRATED

CESSNA®  
**MODEL 525 (SERIALS -0685 AND -0800 AND ON)**  
 ILLUSTRATED PARTS CATALOG

A89787



**DETAIL B**

AFT PRESSURE BULKHEAD  
 FIGURE 02 (SHEET 3)

6310T1168  
 A6311T1165  
 B6311T1165



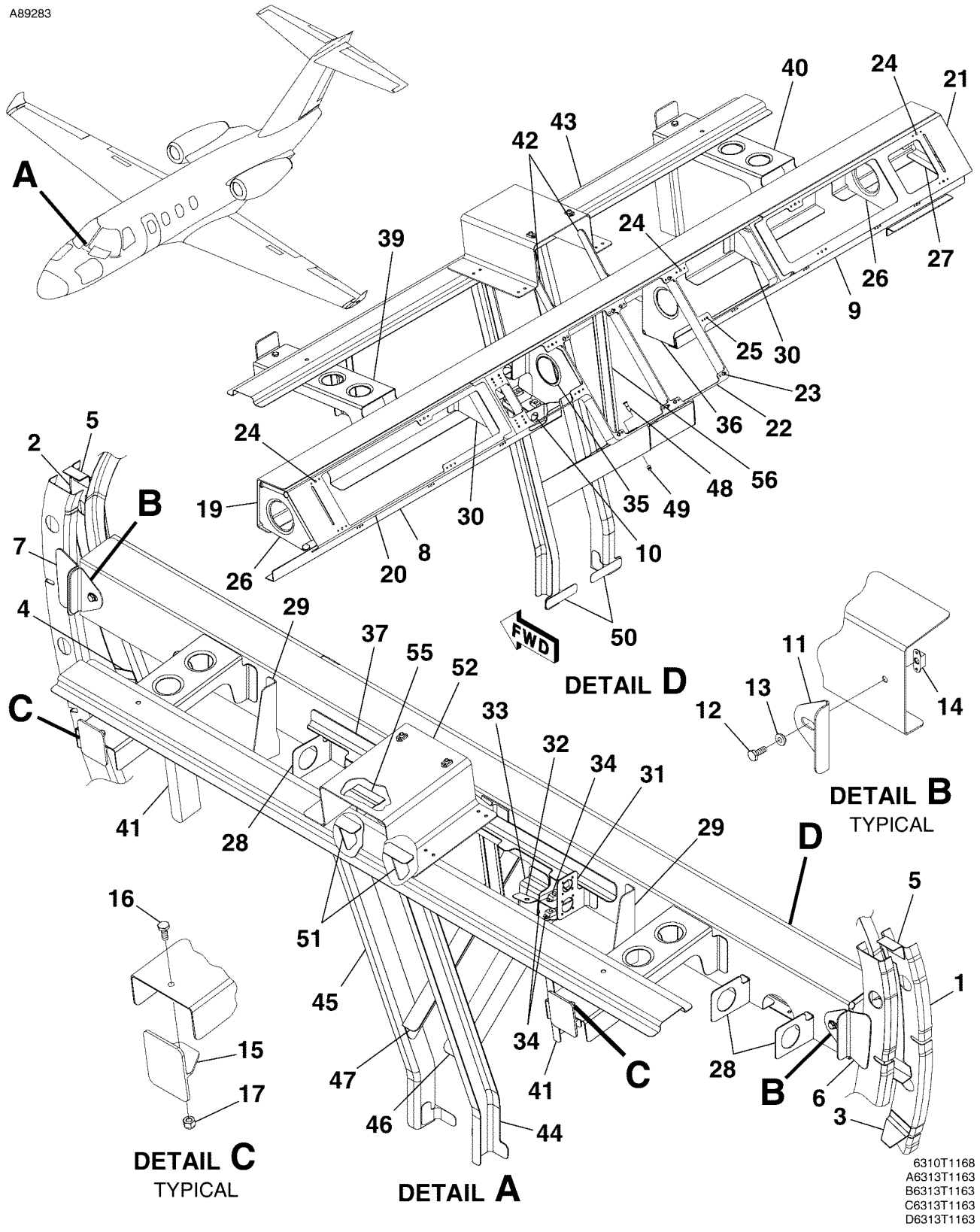
CESSNA®  
**MODEL 525 (SERIALS -0685 AND -0800 AND ON)**  
 ILLUSTRATED PARTS CATALOG

FIG ITEM	PART NUMBER	NOMENCLATURE	UNITS
			PER ASSY
02			
150	6311312-21	. BEAM-LWR CTR . . . . .	01
151	6311213-35	. SUPPORT ANGLE-LH LWR . . . . .	01
- 152	6311213-34	. SUPPORT ANGLE-RH LWR . . . . .	01
153	6311213-33	. SUPPORT-LH LWR . . . . .	01
- 154	6311213-32	. SUPPORT-RH LWR . . . . .	01
155	6311312-24	. WEB ASSY-LWR . . . . .	01
- 156	6311312-25	. . WEB BOND ASSY . . . . .	01
- 157	NAS1474A06	. . NUTPLATE . . . . .	04
- 158	NAS1474A3	. . NUTPLATE . . . . .	04
159	S3529-1A1	. ANCHOR ASSY-LWR . . . . .	01
160	S3528-4C	. ANCHOR ASSY-LWR . . . . .	01
161	6311312-23	. FRAME ANGLE-LWR . . . . .	01
		ATTACHING PARTS	
162	HL12VBJ5-5	. PIN-HI-LOK . . . . . V73197	06
163	HL75DU5ADW	. COLLAR-HI-LOK . . . . . V73197	06
164	HL10VBJ4-2	. PIN-HI-LOK . . . . . V73197	04
165	HL10VBJ4-3	. PIN-HI-LOK . . . . . V73197	14
166	HL97DU-4	. COLLAR-HI-LOK . . . . . V73197	18
		—*—	
167	6311312-12	. DOUBLER . . . . .	01
168	6311312-22	. SEAL CUP-LWR . . . . .	01
		ATTACHING PARTS	
169	HL10VBJ4-4	. PIN-HI-LOK . . . . . V73197	24
170	HL97DU-4	. COLLAR-HI-LOK . . . . . V73197	24
		—*—	

- ITEM NOT ILLUSTRATED

CESSNA®  
**MODEL 525 (SERIALS -0685 AND -0800 AND ON)**  
 ILLUSTRATED PARTS CATALOG

A89283



6310T1168  
 A6313T1163  
 B6313T1163  
 C6313T1163  
 D6313T1163

INSTRUMENT PANEL SUPPORTS  
 FIGURE 01 (SHEET 1)

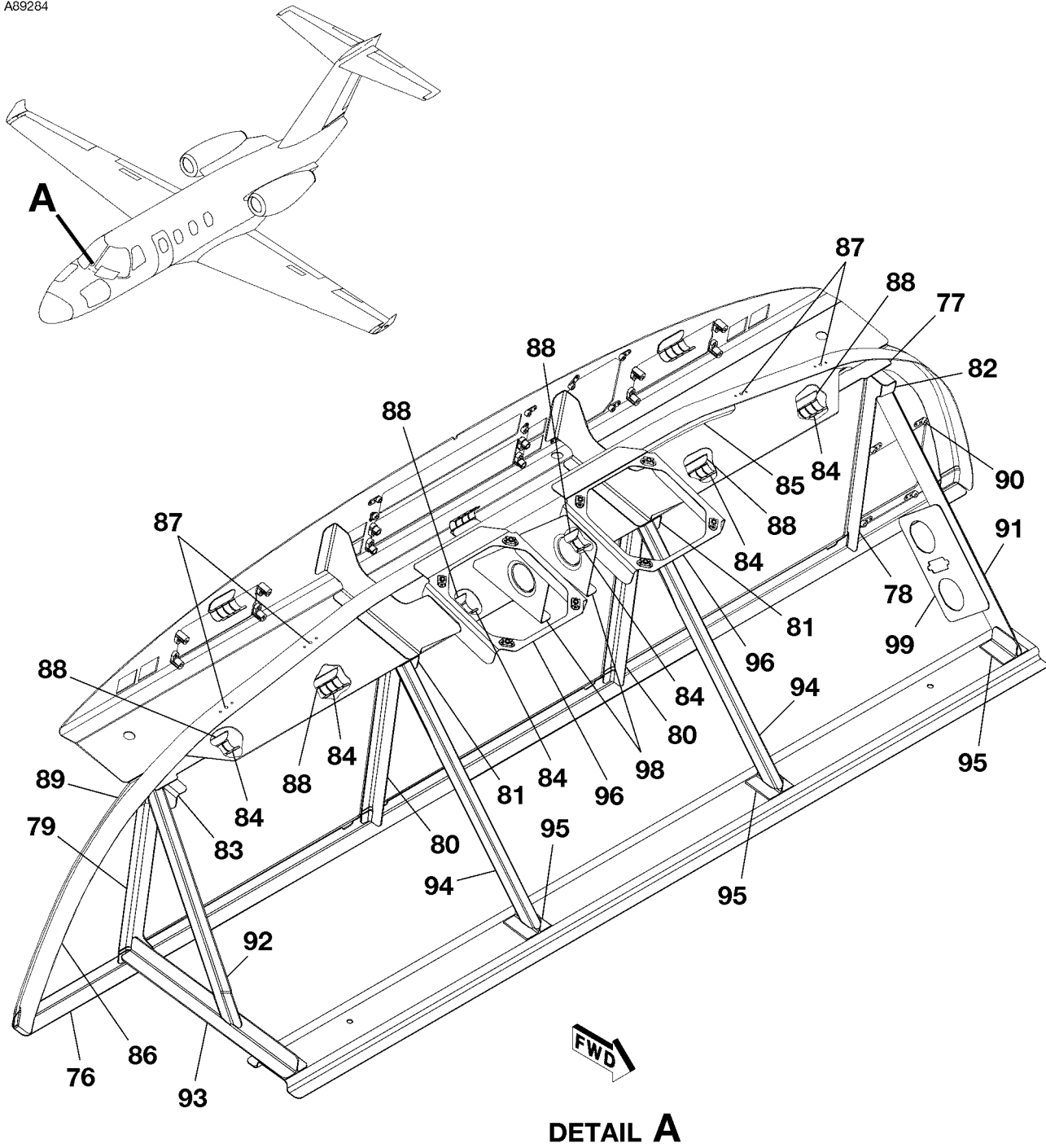
CESSNA®  
**MODEL 525 (SERIALS -0685 AND -0800 AND ON)**  
 ILLUSTRATED PARTS CATALOG

FIG ITEM	PART NUMBER	NOMENCLATURE	UNITS PER ASSY		
			1	2	3
01		INSTRUMENT PANEL SUPPORTS			RF
- 1	5511138-7	. FRAME SEGMENT-LH . . . . .	0800	0908	01 R
- 1A	6311417-3	. FRAME SEGMENT-LH . . . . .	0909	& ON	01 R
2	5511138-6	. FRAME SEGMENT-RH . . . . .	0800	0908	01 R
- 2A	6311417-4	. FRAME SEGMENT-RH . . . . .	0909	& ON	01 R
3	5511138-9	. CLIP-LH . . . . .			01
4	5511138-10	. CLIP-RH . . . . .			01
5	5511138-5	. CLIP . . . . .			02
6	7111184-25	. FRAME ATTACHMENT-LH . . . . .			01
7	7111184-26	. FRAME ATTACHMENT-RH . . . . .			01
8	6311405-1	. ANGLE-LH . . . . .			01
9	6311405-2	. ANGLE-RH . . . . .			01
10	6311403-7	. EMERGENCY SUPPORT BRACKET . . . . .			01
11	7111184-1	. CLIP . . . . .			02
		ATTACHING PARTS			
12	AN3-4A	. BOLT . . . . .			01
13	NAS77-3-008	. BUSHING . . . . .			01
14	MS21059L3	. NUTPLATE . . . . .			01
- 14A	NAS1791A3-1	. NUTPLATE ALT FOR MS21059L3 . . . . .			01 R
		—*—			
15	6311405-18	. TEE . . . . .			02 R
		ATTACHING PARTS			
16	AN3-4A	. BOLT . . . . .			01 R
17	MS21044N3	. NUT . . . . .			01 R
		—*—			
- 18	6311402-1	. TILT PANEL SUPPORT ASSY . . . . .			01 R
19	6311403-1	. BEAM-HORIZONTAL . . . . .			01 R
20	6311403-3	. TILT PANEL-LH . . . . .			01 R
21	6311403-2	. TILT PANEL-RH . . . . .			01 R
22	6311403-6	. TILT PANEL SUPPORT TRAY-CENTER . . . . .			01 R
23	125-00276-00	. REAR MOUNT SOCKET . . . . .		VOTRC3	08 R
24	MS21047L06	. NUTPLATE . . . . .			11 R
25	MS21071L06	. NUTPLATE . . . . .			05 R
26	7111184-30	. TILT PANEL BRACKET . . . . .			02 R
27	7111184-29	. TILT PANEL BRACKET . . . . .			01 R
28	6311403-9	. CONNECTOR BRACKET . . . . .			04 R
29	6311405-23	. ANGLE SUPPORT . . . . .			02 R
30	6311403-8	. BRACKET . . . . .			02 R
31	6311403-10	. CONNECTOR BRACKET . . . . .			01 R
32	6311403-12	. EMERGENCY GEAR SUPPORT CLIP . . . . .			01 R
33	6311403-11	. EMERGENCY BRAKE SUPPORT BRACKET . . . . .			01 R
34	MS21059L3	. NUTPLATE . . . . .			03 R
- 34A	NAS1791A3-1	. NUTPLATE ALT FOR MS21059L3 . . . . .			03 R
35	6311403-5	. SUPPORT BRACKET . . . . .			01 R
36	6311403-4	. SUPPORT BRACKET . . . . .			01 R
37	7111184-39	. STIFFENER . . . . .			01 R
- 38	6311404-1	. INSTRUMENT PANEL SUPPORT ASSY . . . . .			01 R
39	7111179-1	. TUBE SUPPORT BEAM-LH . . . . .			01 R
40	7111179-2	. TUBE SUPPORT BEAM-RH . . . . .			01 R
41	6311405-5	. INSTRUMENT PANEL SUPPORT CHANNEL . . . . .			02 R
42	6311405-10	. SUPPORT TEE . . . . .			02 R
43	7311179-1	. BEAM-FWD . . . . .			01 R
44	7111179-31	. SUPPORT CHANNEL-LH . . . . .			01 R
45	7111179-32	. SUPPORT CHANNEL-RH . . . . .			01 R
46	6311405-17	. BRACE-LH FWD . . . . .			01 R
47	6311405-16	. BRACE-RH FWD . . . . .			01 R
		ATTACHING PARTS			
48	HL10VBJ4-3	. PIN-HI-LOK . . . . .		V73197	01 R
49	HL97-4	. COLLAR-HI-LOK . . . . .		V73197	01 R
		—*—			
50	7111179-28	. TEE CLIP . . . . .			02 R
51	7111179-4	. CLIP . . . . .			02 R
52	6311405-12	. SUPPORT TRAY ASSY . . . . .			01 R
- 53	MS21071L08	. NUTPLATE . . . . .			08 R
- 54	MS21075L08N	. NUTPLATE . . . . .			02 R
55	7018113-22	. REAR BOX MOUNT VERTICAL TAB . . . . .			01 R
56	6311403-13	. TILT PANEL SUPPORT . . . . .			01 R

- ITEM NOT ILLUSTRATED

CESSNA®  
MODEL 525 (SERIALS -0685 AND -0800 AND ON)  
ILLUSTRATED PARTS CATALOG

A89284



INSTRUMENT PANEL SUPPORTS  
FIGURE 01 (SHEET 2)

6310T1168  
A6313T1163

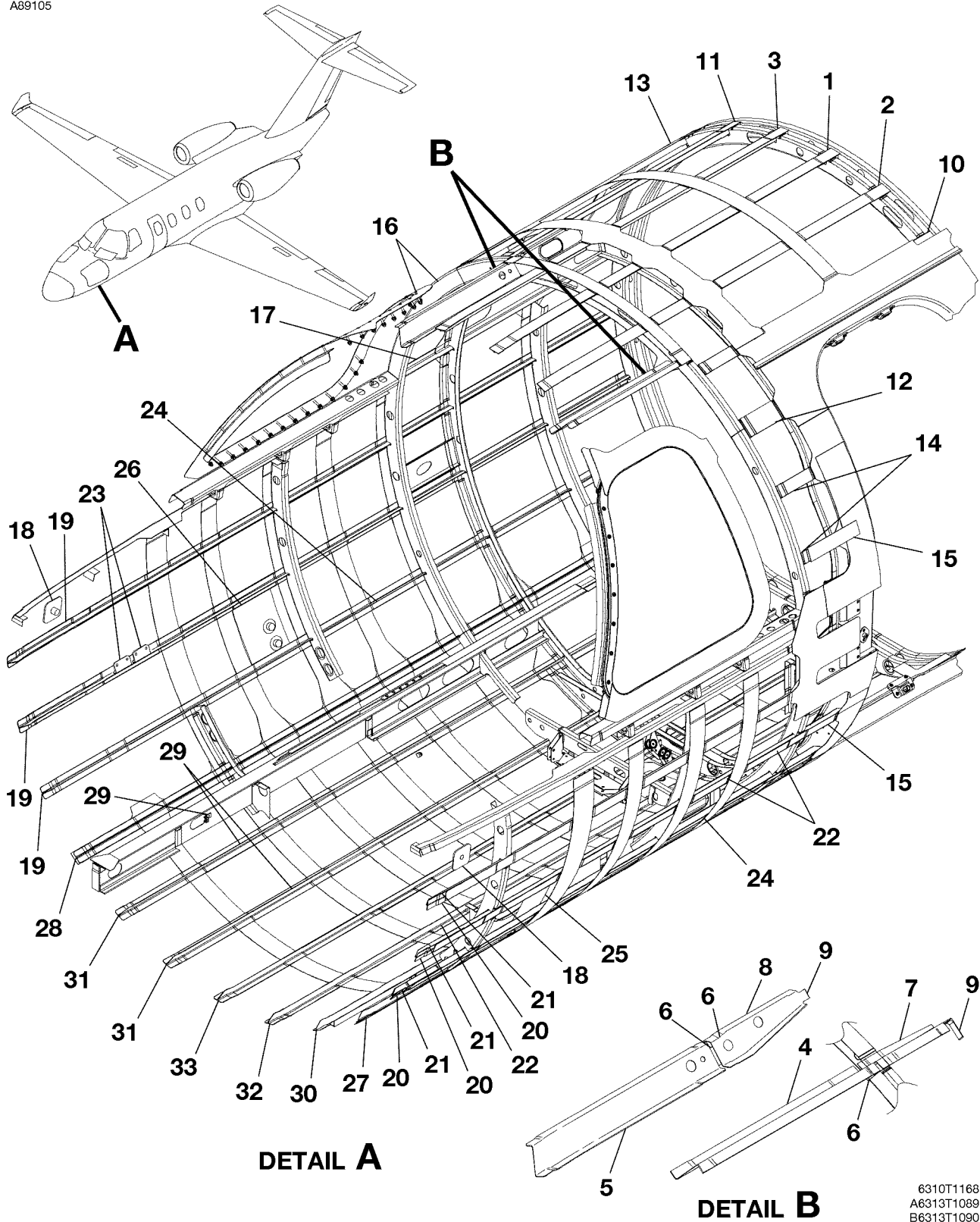
CESSNA®  
**MODEL 525 (SERIALS -0685 AND -0800 AND ON)**  
 ILLUSTRATED PARTS CATALOG

FIG ITEM	PART NUMBER	NOMENCLATURE	UNITS
			PER ASSY
01			
- 75	6311406-5	. INSTRUMENT PANEL ASSY . . . . .	01
76	6311407-10	. . FRAME-LOWER . . . . .	01
77	6311407-11	. . FRAME-UPPER . . . . .	01
78	6311407-7	. . ANGLE . . . . .	01
79	6311407-3	. . ANGLE . . . . .	01
80	6311407-4	. . ANGLE . . . . .	02
81	6311407-5	. . CLIP-FIRETRAY . . . . .	02
82	6311407-6	. . CLIP-FIRETRAY . . . . .	01
83	7311189-7	. . CLIP-FIRETRAY . . . . .	01
84	9052001-5	. . GROUNDING STRIP . . . . .	06
85	7311189-13	. . DOUBLER-BOW . . . . .	01
86	6311407-12	. . BOW . . . . .	01
87	S2031-1	. . NUTPLATE . . . . .	04
88	6311405-19	. . DOUBLER . . . . .	06
89	6311407-13	. . INSTRUMENT PANEL SHEET . . . . .	01
90	MS21072L06	. . NUTPLATE . . . . .	04
91	6311405-6	. . ANGLE-INSTRUMENT PANEL SUPPORT . . . . .	01
92	6311405-8	. . ANGLE-INSTRUMENT PANEL SUPPORT . . . . .	01
93	6311405-7	. . ANGLE-INSTRUMENT PANEL SUPPORT . . . . .	01
94	7311189-12	. . ANGLE-INSTRUMENT PANEL SUPPORT . . . . .	02
95	7311189-11	. . ANGLE-SUPPORT CLIP . . . . .	03
96	6311405-14	. . FAN SUPPORT BRACKET ASSY . . . . .	02
- 97	MS21075L06E	. . NUTPLATE . . . . .	04
98	6311405-15	. . FAN SUPPORT BRACKET . . . . .	02
99	6311405-9	. . CONNECTOR BRACKET . . . . .	01

- ITEM NOT ILLUSTRATED

CESSNA®  
**MODEL 525 (SERIALS -0685 AND -0800 AND ON)**  
 ILLUSTRATED PARTS CATALOG

A89105



**DETAIL A**

**DETAIL B**

6310T1168  
 A6313T1089  
 B6313T1090

FORWARD CABIN STRINGER INSTALLATION  
 FIGURE 01 (SHEET 1)

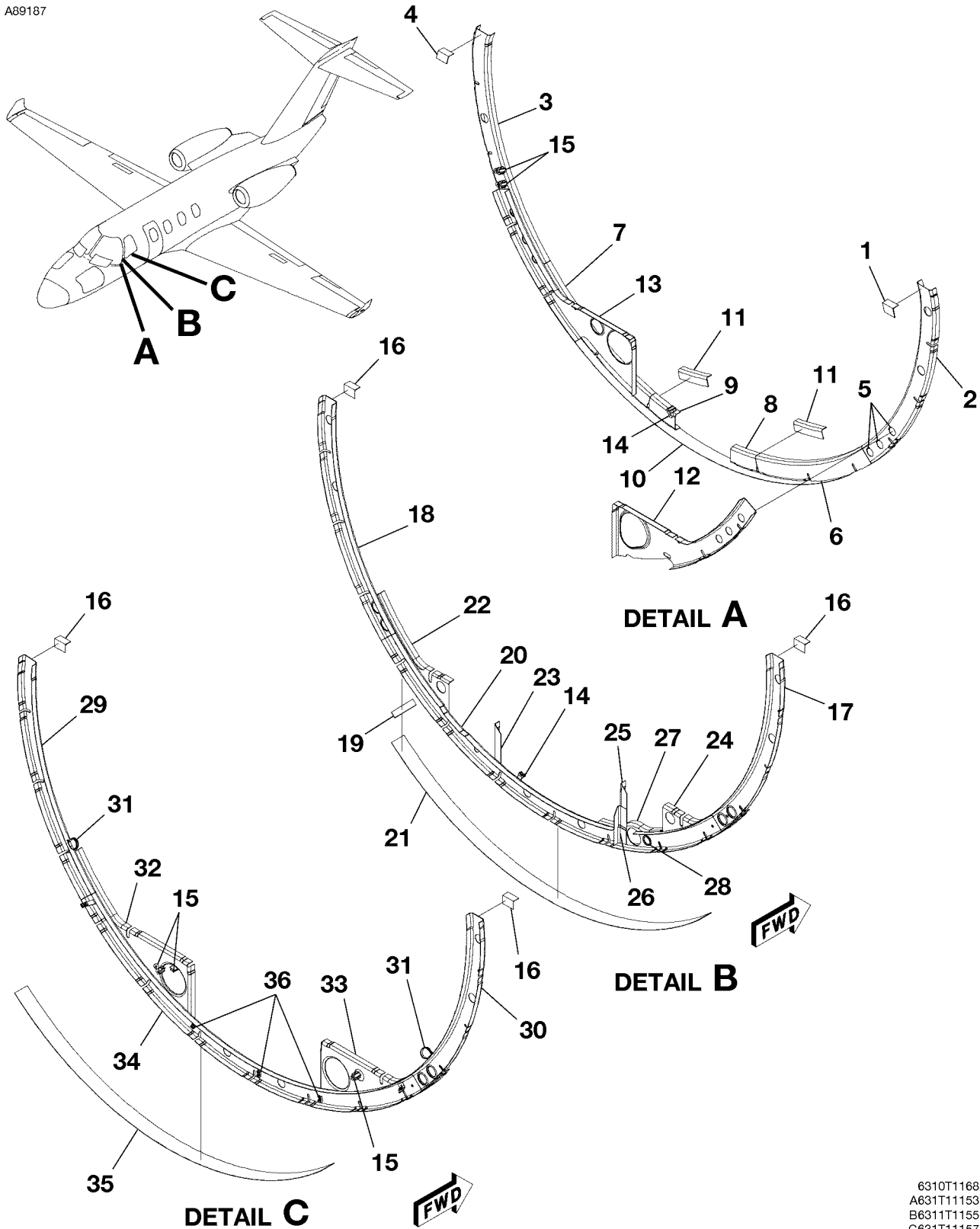
CESSNA®  
**MODEL 525 (SERIALS -0685 AND -0800 AND ON)**  
 ILLUSTRATED PARTS CATALOG

FIG ITEM	PART NUMBER	NOMENCLATURE	UNITS
			PER ASSY
01		FORWARD CABIN STRINGER INSTALLATION	RF
-			
1	6311015-30	. STRINGER-UPR . . . . .	01
2	6311015-25	. STRINGER-LH UPR . . . . .	01
3	6311015-26	. STRINGER-RH UPR . . . . .	01
4	6311064-5	. LONGERON-LH FWD UPR . . . . .	01
5	6311064-4	. LONGERON-RH FWD UPR . . . . .	01
6	5511164-16	. ANGLE . . . . .	04
7	6311064-3	. LONGERON-LH AFT UPR . . . . .	01
8	6311064-2	. LONGERON-RH AFT UPR . . . . .	01
9	5511164-54	. ANGLE . . . . .	02
10	6311015-27	. STRINGER-LH FWD UPR . . . . .	01
11	6311015-28	. STRINGER-RH FWD UPR . . . . .	01
12	6311015-13	. STRINGER-LH FWD . . . . .	01
13	6311015-14	. STRINGER-RH FWD . . . . .	01
14	6311015-37	. STRINGER-LH FWD . . . . .	02
15	6311015-59	. SHIM . . . . .	02
16	6311015-38	. STRINGER-RH FWD . . . . .	02
17	6311015-56	. STRINGER-RH FWD . . . . .	01
18	6211100-8	. DOUBLER ASSY . . . . .	02
19	6311015-57	. STRINGER . . . . .	03
20	6311015-55	. STRINGER SPLICE . . . . .	03
21	6311015-52	. STRINGER SPLICE . . . . .	03
22	S3529-1B1	. ANCHOR ASSY . . . . .	03
23	6311015-49	. BRACKET ASSY . . . . .	02
24	6318015-6	. ANCHOR ASSY . . . . .	02
25	6311118-5	. DOUBLER-LH . . . . .	01
26	6311118-6	. DOUBLER-RH . . . . .	01
27	6311015-45	. STRINGER-LH LWR . . . . .	01
28	6311015-46	. STRINGER-RH LWR . . . . .	01
29	S3528-5D	. ANCHOR ASSY . . . . .	03
30	6311015-31	. STRINGER-LH LWR . . . . .	01
31	6311015-32	. STRINGER-RH LWR . . . . .	02
32	6311015-33	. STRINGER-LH LWR . . . . .	01
33	6311015-60	. STRINGER-LWR . . . . .	01

- ITEM NOT ILLUSTRATED

CESSNA®  
**MODEL 525 (SERIALS -0685 AND -0800 AND ON)**  
 ILLUSTRATED PARTS CATALOG

A89187



FORWARD CABIN STRUCTURE INSTALLATION  
 FIGURE 01 (SHEET 1)

6310T1168  
 A631T11153  
 B631T11155  
 C631T11157



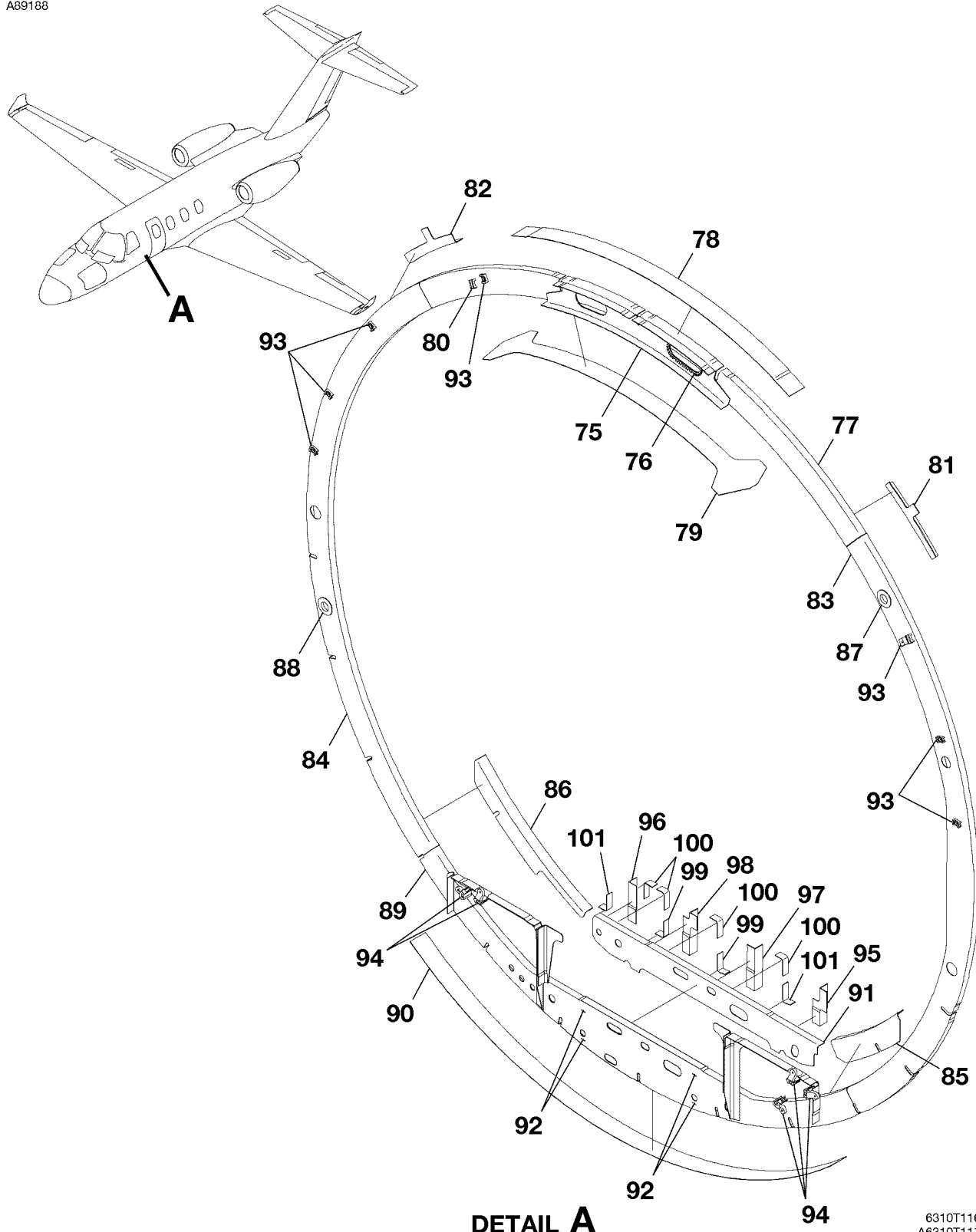
CESSNA®  
**MODEL 525 (SERIALS -0685 AND -0800 AND ON)**  
 ILLUSTRATED PARTS CATALOG

FIG ITEM	PART NUMBER	NOMENCLATURE	UNITS	
			PER	ASSY
01		FORWARD CABIN STRUCTURE INSTALLATION		RF
-				
1	5511139-2	. ANGLE . . . . .		01
2	5511100-23	. FRAME-LH UPPER . . . . .	0800	0908 01 R
- 2A	6311185-3	. FRAME-LH UPPER . . . . .	0909	& ON 01 R
3	5511100-24	. FRAME-RH UPPER . . . . .	0800	0908 01 R
- 3A	6311185-4	. FRAME-RH UPPER . . . . .	0909	& ON 01 R
4	5511139-3	. ANGLE . . . . .		01
5	S1050-2	. GROMMET-BKI . . . . .		AR
6	5511100-17	. FRAME SEGMENT-LH LOWER . . . . .		01
7	5511100-27	. FRAME SEGMENT-RH LOWER . . . . .		01
8	5511100-19	. FRAME SEGMENT-LH LOWER . . . . .		01
9	5511100-28	. FRAME SEGMENT-RH LOWER . . . . .		01
10	5511100-37	. BAND-LOWER . . . . .		01
11	5511100-15	. SPLICE ANGLE . . . . .		02
12	5511067-41	. SEAT RAIL SUPPORT-LH . . . . .		01
13	5511067-40	. SEAT RAIL SUPPORT-RH . . . . .		01
14	S3528-5D	. ANCHOR ASSY . . . . .		02
15	S4132-1	. ANCHOR . . . . .		05
16	5511139-1	. ANGLE . . . . .		04
17	5511104-28	. FRAME-RH UPPER . . . . .		01
18	5511104-27	. FRAME-LH UPPER . . . . .		01
19	5511104-19	. SHIM . . . . .		AR
20	5511104-23	. BULKHEAD-LOWER . . . . .		01
21	5511104-17	. BAND-LOWER . . . . .		01
22	5511067-42	. SEAT RAIL SUPPORT . . . . .		01
23	5511067-19	. SEAT RAIL SUPPORT . . . . .		01
24	5511067-43	. SEAT RAIL SUPPORT . . . . .		01
25	5511067-23	. SEAT RAIL SUPPORT . . . . .		01
26	5511067-24	. ANGLE . . . . .		01
27	5511104-22	. DOUBLER . . . . .		01
28	NAS557-28C	. GROMMET . . . . .		01
29	5511104-29	. FRAME-LH UPPER . . . . .		01
30	5511104-30	. FRAME-RH UPPER . . . . .		01
31	TA02107D032NB	. CLAMP . . . . .	V84971	02
32	5511067-44	. SEAT RAIL SUPPORT . . . . .		01
33	6311410-10	. SEAT RAIL SUPPORT . . . . .		01
34	5511104-6	. FRAME-LOWER . . . . .		01
35	5511104-51	. BAND-LOWER . . . . .		01
36	S1741-1	. ANCHOR . . . . .		03

- ITEM NOT ILLUSTRATED

CESSNA®  
MODEL 525 (SERIALS -0685 AND -0800 AND ON)  
ILLUSTRATED PARTS CATALOG

A89188



**DETAIL A**  
FORWARD CABIN STRUCTURE INSTALLATION  
FIGURE 01 (SHEET 2)

6310T1168  
A6310T1172

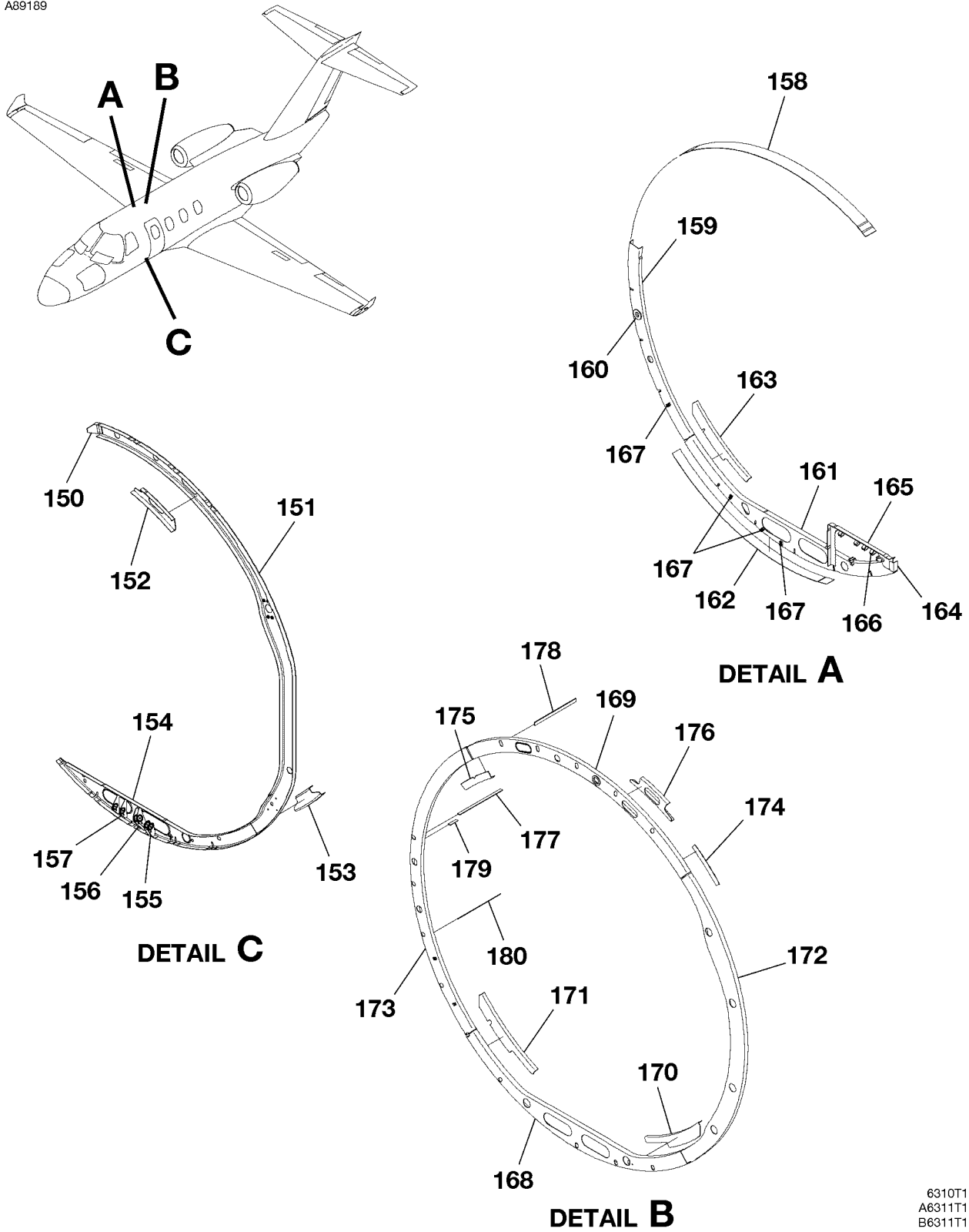
CESSNA®  
**MODEL 525 (SERIALS -0685 AND -0800 AND ON)**  
 ILLUSTRATED PARTS CATALOG

FIG ITEM	PART NUMBER	NOMENCLATURE	UNITS
			PER ASSY
01			
75	5511110-15	. CHANNEL-UPPER . . . . .	01
76	S1050-2-7.50	. GROMMET . . . . .	01
77	6311096-6	. FRAME SEGMENT-UPPER . . . . .	01
78	6311096-30	. BAND . . . . .	01
79	5511110-17	. STRAP . . . . .	01
80	S1741-1	. ANCHOR . . . . .	01
81	5511110-11	. ANGLE SPLICE-LH . . . . .	01
82	5511110-12	. ANGLE SPLICE-RH . . . . .	01
83	6311096-16	. FRAME SEGMENT-LH . . . . .	01
84	6311096-5	. FRAME SEGMENT-RH . . . . .	01
85	6311096-17	. FRAME SPLICE-LH . . . . .	01
86	6311113-2	. FRAME SPLICE-RH . . . . .	01
87	MS35489-17	. GROMMET-LH UPPER . . . . .	01
88	MS35489-19	. GROMMET-RH . . . . .	01
89	6311096-35	. FRAME SEGMENT-LOWER . . . . .	01
90	6311113-5	. BAND . . . . .	01
91	6311096-34	. DOUBLER . . . . .	01
92	MS21069L3	. NUTPLATE . . . . .	04
93	S3529-1A1	. ANCHOR ASSY . . . . .	07
94	S4132-1	. ANCHOR . . . . .	05
95	6311096-25	. STIFFENER-LH . . . . .	01
96	6311096-14	. STIFFENER-RH . . . . .	01
97	6311096-33	. STIFFENER-LH . . . . .	01
98	6311096-24	. STIFFENER-RH . . . . .	01
99	6311096-11	. CLIP . . . . .	02
100	6311096-15	. CLIP . . . . .	04
101	6311096-10	. CLIP . . . . .	02

- ITEM NOT ILLUSTRATED

CESSNA®  
**MODEL 525 (SERIALS -0685 AND -0800 AND ON)**  
 ILLUSTRATED PARTS CATALOG

A89189



FORWARD CABIN STRUCTURE INSTALLATION  
 FIGURE 01 (SHEET 3)

6310T1168  
 A6311T1144  
 B6311T1187  
 C6313T1152

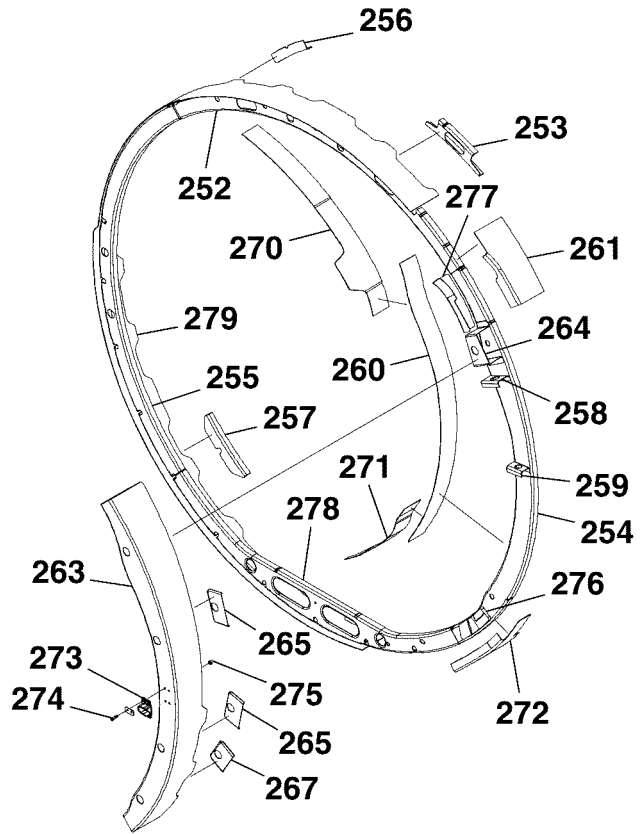
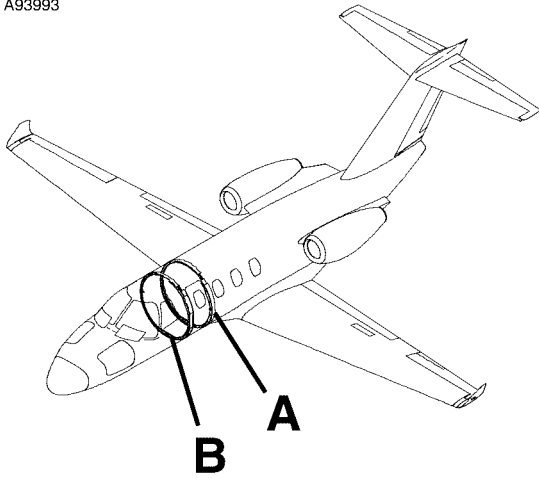
CESSNA®  
**MODEL 525 (SERIALS -0685 AND -0800 AND ON)**  
 ILLUSTRATED PARTS CATALOG

FIG ITEM	PART NUMBER	NOMENCLATURE	UNITS
			PER ASSY
01			
150	6311097-7	. CLIP . . . . .	01
151	6311191-31	. FRAME-LH . . . . .	01
152	6311097-9	. DOUBLER-LH . . . . .	01
153	6311097-12	. FRAME SPLICE-LOWER . . . . .	01
154	6311191-26	. FRAME-LOWER . . . . .	01
155		. BRACKET REFER TO 27-30-02 FIGURE 02 . . . . .	RF
156		. BRACKET REFER TO 27-30-02 FIGURE 02 . . . . .	RF
157		. BRACKET REFER TO 27-30-02 FIGURE 02 . . . . .	RF
158	6311099-5	. BAND-UPPER . . . . .	01
159	6311113-4	. FRAME SEGMENT-RH UPPER . . . . .	01
160	MS35489-19	. GROMMET . . . . .	01
161	6311099-13	. FRAME SEGMENT-LOWER . . . . .	01
162	6311099-17	. BAND-LOWER . . . . .	01
163	6311113-2	. FRAME SPLICE-RH . . . . .	01
164	6311099-11	. CLIP . . . . .	01
165	6311099-9	. SUPPORT . . . . .	01
166	S4132-1	. ANCHOR . . . . .	06
167	S1741-1	. ANCHOR . . . . .	04
168	6311191-28	. FRAME-LOWER . . . . .	01
169	6311102-11	. FRAME SEGMENT-UPPER . . . . .	01
170	6311191-29	. FRAME SPLICE-LH LOWER . . . . .	01
171	6311102-8	. FRAME SPLICE-RH . . . . .	01
172	6311191-30	. FRAME-LH . . . . .	01
173	6311102-10	. FRAME SEGMENT-RH . . . . .	01
174	6311102-9	. SPLICE ANGLE-UPPER . . . . .	01
175	6311113-21	. FRAME SPLICE . . . . .	01
176	6311101-12	. DOUBLER . . . . .	01
177	6310000-3	. SPLICE STRAP . . . . .	01
178	6310000-4	. SPLICE STRAP . . . . .	20
179	6310000-5	. SPACER . . . . .	01
180	6310000-6	. SPLICE STRAP . . . . .	10

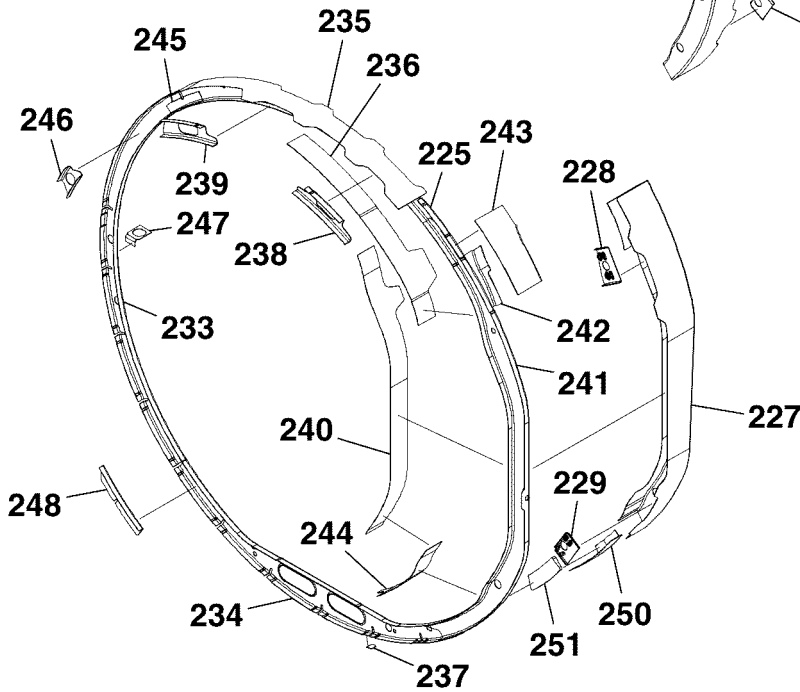
- ITEM NOT ILLUSTRATED

CESSNA®  
**MODEL 525 (SERIALS -0685 AND -0800 AND ON)**  
 ILLUSTRATED PARTS CATALOG

A93993



**DETAIL A**



**DETAIL B**

FORWARD CABIN STRUCTURE INSTALLATION  
 FIGURE 01 (SHEET 4)

6310T1168  
 A6311T1239  
 B6311T1239

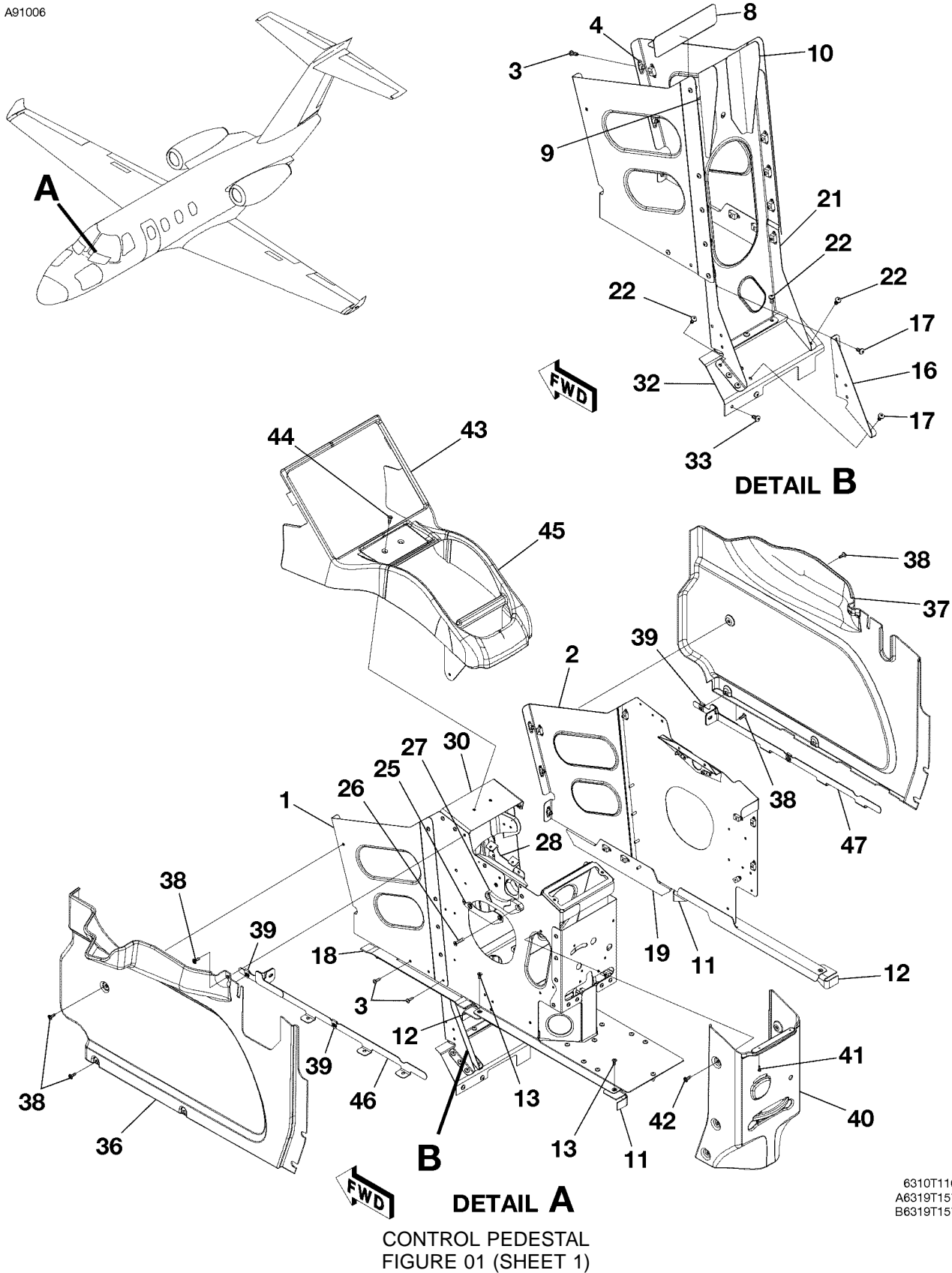
CESSNA®  
**MODEL 525 (SERIALS -0685 AND -0800 AND ON)**  
 ILLUSTRATED PARTS CATALOG

FIG ITEM	PART NUMBER	NOMENCLATURE	UNITS	
			PER	ASSY
01				
225	6311160-3	. FRAME-UPPER . . . . .		01
- 226	6311160-6	. CANTED FRAME ASSY-LH . . . . .		01
227	6311098-13	. . . FRAME . . . . .		01
228	6311160-5	. . . STIFFENER ASSY-UPPER . . . . .		01
229	6311160-8	. . . STIFFENER ASSY-LOWER . . . . .		01
- 230	NAS1791A3-1	. . . NUTPLATE-UPPER . . . . .		04
- 231	NAS1791A3-1	. . . NUTPLATE-LOWER . . . . .		02
- 232	MS21071-3	. . . NUTPLATE-LOWER . . . . .		02
233	6311098-18	. . . FRAME-RH . . . . .	0800	0839 01
- 233A	6311191-32	. . . FRAME-RH . . . . .	0840	& ON 01
234	6311191-25	. . . FRAME-LOWER . . . . .		01
235	6311191-2	. . . DOUBLER-UPPER . . . . .		01
236	6311101-42	. . . DOUBLER-UPPER FWD . . . . .		01
237	6311098-14	. . . SHIM . . . . .		02
238	6311098-9	. . . DOUBLER CHANNEL-LH . . . . .		01
239	6311097-8	. . . DOUBLER-RH . . . . .		01
240	6311098-10	. . . COVER PLATE-LH . . . . .		01
241	6311191-8	. . . FRAME-LH . . . . .		01
242	6311191-24	. . . SPLICE ANGLE-LH UPPER INBOARD . . . . .		01
243	6311184-3	. . . SPLICE ANGLE-LH UPPER OUTBOARD . . . . .		01
244	6311098-11	. . . DOUBLER-LH LOWER INBOARD . . . . .		01
245	6311113-21	. . . FRAME SPLICE-RH UPPER . . . . .		01
246	6311191-19	. . . DOUBLER-RH UPPER . . . . .	0800	0839 01
- 246A	6311191-33	. . . DOUBLER-RH UPPER . . . . .	0840	& ON 01
247	6511297-6	. . . BRACKET . . . . .		01
248	6311099-7	. . . FRAME SPLICE-RH LOWER . . . . .		01
- 249	6311098-19	. . . DOUBLER-LOWER OUTBOARD . . . . .	0840	& ON 01 R
250	6311160-10	. . . SPLICE ANGLE-LH LOWER FWD . . . . .		01 R
251	6311191-22	. . . FILLER BLOCK-FWD . . . . .		01 R
252	6311184-15	. . . FRAME-UPPER . . . . .		01 R
253	6311101-12	. . . DOUBLER-UPPER . . . . .		01 R
254	6311191-9	. . . FRAME-LH . . . . .		01 R
255	6311101-2	. . . FRAME-RH . . . . .		01 R
256	6311113-21	. . . FRAME SPLICE-RH UPPER . . . . .		01 R
257	6311101-22	. . . FRAME SPLICE-RH LOWER . . . . .		01 R
258	6311101-46	. . . STIFFENER-UPPER . . . . .		01 R
259	6311101-31	. . . STIFFENER-LH LOWER . . . . .		01 R
260	6311101-44	. . . COVER PLATE-LH . . . . .		01 R
261	6311184-2	. . . SPLICE ANGLE-UPPER AFT . . . . .		01 R
- 262	6311184-16	. . . CANTED FRAME ASSY-LH . . . . .		01 R
263	6311184-12	. . . FRAME . . . . .		01 R
264	6311184-19	. . . SUPPORT ASSY . . . . .		01 R
265	6311184-18	. . . STIFFENER ASSY-MID . . . . .		02 R
- 266	NAS1791A3-1	. . . NUTPLATE . . . . .		04 R
267	6311184-17	. . . STIFFENER ASSY-LOWER AFT . . . . .		01 R
- 268	NAS1791A3-1	. . . NUTPLATE . . . . .		02 R
- 269	MS21071-3	. . . NUTPLATE . . . . .		02 R
270	6311101-43	. . . DOUBLER-UPPER . . . . .		01 R
271	6311184-14	. . . DOUBLER-LOWER . . . . .		01 R
272	6311184-23	. . . SPLICE PLATE-LOWER AFT . . . . .		01 R
273	5511248-5	. . . GUIDE . . . . .		01 R
		ATTACHING PARTS		
274	MS27039-1-09	. . . SCREW . . . . .		04 R
275	NAS1329H3K80L	. . . NUT . . . . .		04 R
		—*—		
276	6311191-21	. . . FILLER BLOCK-AFT . . . . .		01 R
277	6311191-23	. . . SPLICE ANGLE-UPPER AFT . . . . .		01 R
278	6311191-27	. . . FRAME-LOWER . . . . .		01 R
279	6311184-13	. . . SPLICE DOUBLER-LOWER . . . . .		01 R

- ITEM NOT ILLUSTRATED

CESSNA®  
**MODEL 525 (SERIALS -0685 AND -0800 AND ON)**  
 ILLUSTRATED PARTS CATALOG

A91006



6310T1168  
 A6319T1574  
 B6319T1574

**CONTROL PEDESTAL**  
**FIGURE 01 (SHEET 1)**



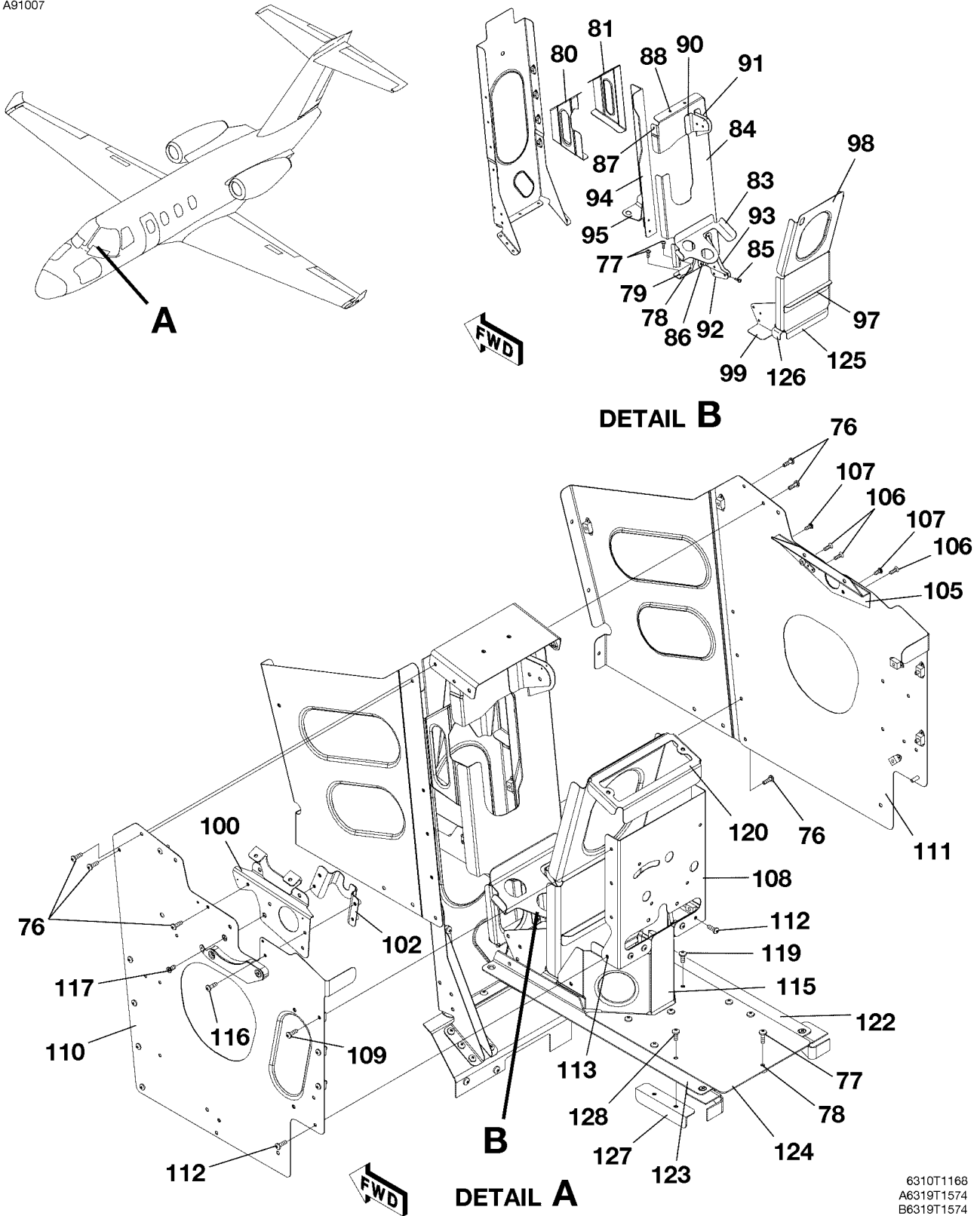
CESSNA®  
**MODEL 525 (SERIALS -0685 AND -0800 AND ON)**  
 ILLUSTRATED PARTS CATALOG

FIG ITEM	PART NUMBER	NOMENCLATURE	UNITS	
			PER	ASSY
01		CONTROL PEDESTAL		RF
- 1	6360837-17	. SIDE PANEL ASSY-LH FWD . . . . .		01
2	6360837-18	. SIDE PANEL ASSY-RH FWD . . . . .		01
		ATTACHING PARTS		
3	MS27039-0808	. SCREW . . . . .		05
4	MS21047L3	. NUTPLATE . . . . .	0800	0883 06 R
- 4A	S1477-08	. NUT . . . . .	0884	& ON 06 R
		—*—		
- 5	6360837-19	. . SIDE PANEL-LH FWD . . . . .		01
- 6	6360837-20	. . SIDE PANEL-RH FWD . . . . .		01
- 7	MS21059L08	. . NUTPLATE . . . . .		02
8	6360837-48	. WEB STIFFENER TEE-RH FWD . . . . .		01
9	6360837-49	. CLIP BRACE-LH FWD . . . . .		01
10	6360837-50	. CLIP BRACE-RH FWD . . . . .		01
11	6361801-54	. SUPPORT TAB ASSY . . . . .		02
12	6361801-55	. SUPPORT TAB ASSY . . . . .		02
		ATTACHING PARTS		
13	MS24694-S48	. SCREW . . . . .		01
- 14	AN509-10R6	. SCREW ALT FOR MS24694-S48 . . . . .		01
		—*—		
- 15	MS21069L3	. . NUTPLATE . . . . .		02
16	6360837-51	. ELEVATOR TRIM BASE BRACKET-FWD . . . . .		01
		ATTACHING PARTS		
17	MS27039-1-06	. SCREW . . . . .		03
		—*—		
18	6360837-59	. ANGLE ASSY-LH FWD BOTTOM . . . . .		01
19	6360837-60	. ANGLE ASSY-RH FWD BOTTOM . . . . .		01
- 20	MS21059L08	. . NUTPLATE . . . . .		02
21	6360837-57	. BULKHEAD ASSY-FWD . . . . .		01
		ATTACHING PARTS		
22	MS27039-1-06	. SCREW . . . . .		12
		—*—		
- 23	MS21059L08	. . NUTPLATE . . . . .		08
- 24	MS21069L3	. . NUTPLATE . . . . .		03
25	6361011-26	. COVER TRIM ARM GUIDE . . . . .		01
		ATTACHING PARTS		
26	MS24694-S10	. SCREW . . . . .		01
		—*—		
27	6361011-16	. BLOCK TRIM ARM GUIDE . . . . .		01
28	6361011-19	. ANGLE ASSY-SWITCH SUPPORT . . . . .		01
- 29	MS21075L08N	. . NUTPLATE . . . . .		02
30	6360837-46	. CAP BRACKET ASSY-FWD TOP . . . . .		01
- 31	MS21075-08	. . NUTPLATE . . . . .		04
32	6361801-44	. BASE ASSY . . . . .		01
		ATTACHING PARTS		
33	MS27039-1-06	. SCREW . . . . .		02
		—*—		
- 34	S1741-1	. . ANCHOR . . . . .		02
- 35	MS21069L3	. . NUTPLATE . . . . .		14
36	4711866-1	. SHROUD ASSY-LH LOWER . . . . .		01
37	4711866-2	. SHROUD ASSY-RH LOWER . . . . .		01
		ATTACHING PARTS		
38	AN525-832R8	. SCREW . . . . .		04
39	S1477-08	. NUT . . . . .		02
		—*—		
40	4711866-3	. SKIRT ASSY-AFT LOWER . . . . .		01
		ATTACHING PARTS		
41	MS35214-14	. SCREW . . . . .		02
42	AN525-832R8	. SCREW . . . . .		06
		—*—		
43	4711950-1	. PEDESTAL BEZEL-TOP FWD . . . . .		01
		ATTACHING PARTS		
44	NAS514P1032-10	. SCREW . . . . .		02
		—*—		
45	4711950-2	. PEDESTAL BEZEL ASSY-AFT TOP . . . . .		01
46	4711867-1	. ATTACH BRACKET ASSY-LH LOWER . . . . .		01
47	4711867-2	. ATTACH BRACKET ASSY-RH LOWER . . . . .		01

- ITEM NOT ILLUSTRATED

CESSNA®  
**MODEL 525 (SERIALS -0685 AND -0800 AND ON)**  
 ILLUSTRATED PARTS CATALOG

A91007



**CONTROL PEDESTAL**  
**FIGURE 01 (SHEET 2)**

6310T1168  
 A6319T1574  
 B6319T1574

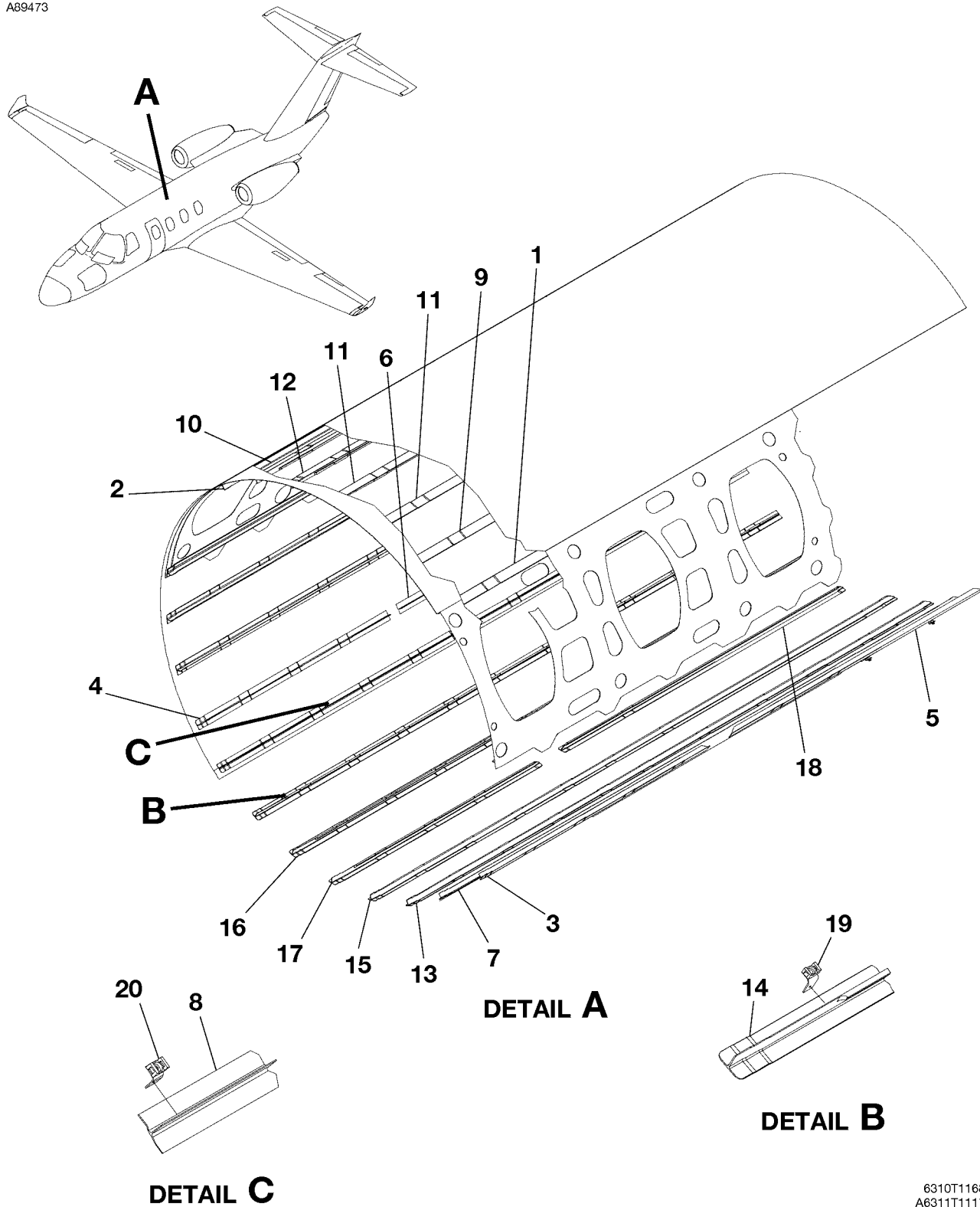
CESSNA®  
**MODEL 525 (SERIALS -0685 AND -0800 AND ON)**  
 ILLUSTRATED PARTS CATALOG

FIG ITEM	PART NUMBER	NOMENCLATURE	UNITS PER ASSY		
	1 2 3 4 5 6 7				
01					
- 75	6360838-1	PEDESTAL ASSY FSO 6360838-25	0800	0883	NP R
- 75A	6360838-25	PEDESTAL ASSY	0884	& ON	01 R
		ATTACHING PARTS			
76	MS27039-0808	SCREW			13
77	MS27039-1-09	SCREW			04
78	MS21047L3	NUTPLATE			02
79	MS21051L3	NUTPLATE			02
		—*—			
80	6360837-22	PEDESTAL SUPPORT GUSSET-LH FWD			01
81	6360837-23	PEDESTAL SUPPORT GUSSET-RH FWD			01
- 82	6360837-2	CONTROL QUADRANT BULKHEAD ASSY-FWD	0800	0883	01 R
- 82A	6360838-26	CONTROL QUADRANT BULKHEAD ASSY-FWD	0884	& ON	01 R
83	6360837-10	STIFFENER-FWD	0800	0883	01 R
- 83A	6360838-31	STIFFENER-FWD	0884	& ON	01 R
84	6360837-3	BULKHEAD-FWD			01
		ATTACHING PARTS			
85	MS27039-0808	SCREW			06
86	MS21069L08	NUTPLATE			06
87	MS21071L08	NUTPLATE			02
88	MS21059L3	NUTPLATE			02
- 89	NAS1791A3-1	NUTPLATE ALT FOR MS21059L3			02
		—*—			
90	6360837-5	FLAP INTERCONNECT BRACKET-LH UPPER			01
91	6360837-6	FLAP INTERCONNECT BRACKET-RH UPPER			01
92	6360837-7	FLAP INTERCONNECT BRACKET-LH LOWER			01
93	6360837-8	FLAP INTERCONNECT BRACKET-RH LOWER			01
94	6360837-4	CONTROL QUADRANT BULKHEAD			01
95	6360837-9	CONTROL LOCK SUPPORT BRACKET			01
- 96	6360838-2	CONTROL QUADRANT BULKHEAD ASSY-AFT			01
97	6360837-21	BULKHEAD STIFFENER-AFT			01
98	6360838-3	CONTROL QUADRANT BULKHEAD-AFT			01
99	6360838-4	ELEVATOR TRIM SPROCKET BRACKET-AFT			01
100	6360837-24	BRACKET ASSY CONTROL QUADRANT-LH			01
- 101	MS21069L08	NUTPLATE			01
102	6360837-26	CHAIN GUARD BRACKET ASSY			01
- 103	MS21069L08	NUTPLATE			03
- 104	MS21069L3	NUTPLATE			01
105	5565701-18	BRACKET ASSY			01
		ATTACHING PARTS			
106	MS24693-S27	SCREW			03
107	NAS601-6	SCREW			02
		—*—			
108	6360838-16	TRIM PANEL-AFT			01
		ATTACHING PARTS			
109	MS27039-0808	SCREW			05
		—*—			
110	6360838-5	SIDE PANEL ASSY-LH AFT	0800	0883	01 R
- 110A	6360838-27	SIDE PANEL ASSY-LH AFT	0884	& ON	01 R
111	6360838-6	SIDE PANEL ASSY-RH AFT	0800	0883	01 R
- 111A	6360838-28	SIDE PANEL ASSY-RH AFT	0884	& ON	01 R
		ATTACHING PARTS			
112	MS27039-0808	SCREW			03
113	MS21059L08	NUTPLATE			01
		—*—			
- 114	MS21059L08	NUTPLATE			11
115	6360838-13	CLOSEOUT ASSY-BOTTOM			01
		ATTACHING PARTS			
116	MS27039-0808	SCREW			01
117	MS24694-S3	SCREW			01
- 118	AN509-8-6	SCREW ALT FOR MS24694-S3			01
119	MS27039-1-07	SCREW			03
		—*—			
120	6360838-11	LED BRACKET ASSY-AFT TOP			01
- 121	MS21073L06	NUTPLATE			02
122	6360838-10	SUPPORT CHANNEL-RH AFT BOTTOM			01
123	6360838-9	SUPPORT CHANNEL-LH AFT BOTTOM			01
124	6360838-21	FLOORBOARD PANEL-AFT			01
125	6360837-29	PEDESTAL CROSS SUPPORT-LOWER AFT			01
126	6360837-30	CROSS SUPPORT CLIP-LOWER AFT			01
127	6360838-22	FLOORBOARD SUPPORT ASSY			02
		ATTACHING PARTS			
128	MS27039-1-07	SCREW			02
		—*—			
- 129	MS21059L3	NUTPLATE			02
- 130	NAS1791A3-1	NUTPLATE ALT FOR MS21059L3			02

- ITEM NOT ILLUSTRATED

CESSNA®  
MODEL 525 (SERIALS -0685 AND -0800 AND ON)  
ILLUSTRATED PARTS CATALOG

A89473



AFT CABIN STRINGER INSTALLATION  
FIGURE 01 (SHEET 1)

6310T1168  
A6311T1117  
B6311T1117  
C6311T1117

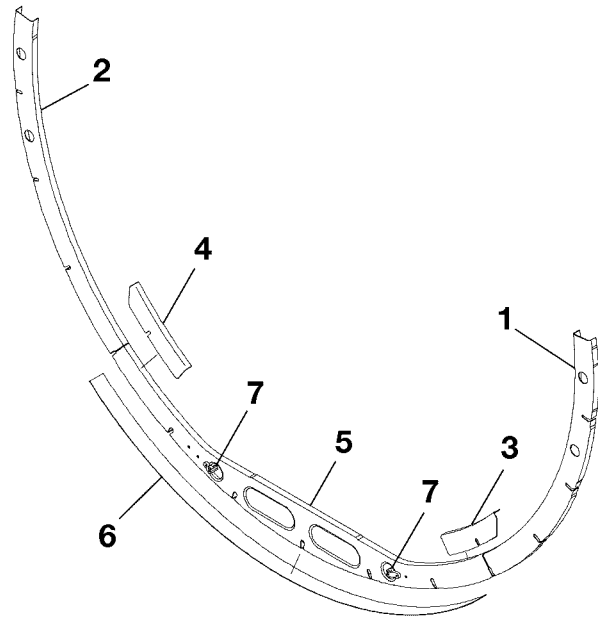
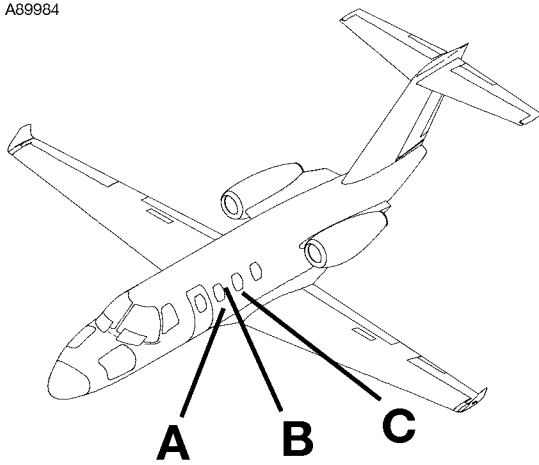
CESSNA®  
**MODEL 525 (SERIALS -0685 AND -0800 AND ON)**  
 ILLUSTRATED PARTS CATALOG

FIG ITEM	PART NUMBER	NOMENCLATURE	UNITS
			PER ASSY
01			
-		AFT CABIN STRINGER INSTALLATION	RF
1	6311127-73	. STRINGER-LH UPR . . . . .	01
2	6311127-72	. STRINGER-RH UPR . . . . .	01
3	6311127-35	. STRINGER-LH LWR FWD . . . . .	01
4	6311127-44	. STRINGER-RH LWR FWD . . . . .	01
5	6311127-41	. STRINGER-LH LWR AFT . . . . .	01
6	6311127-42	. STRINGER-RH LWR AFT . . . . .	01
7	6311127-57	. STRINGER-LH LWR . . . . .	01
8	6311127-58	. STRINGER-RH LWR . . . . .	01
9	6311127-75	. STRINGER-LH UPR OUTBD . . . . .	01
10	6311127-74	. STRINGER-RH UPR OUTBD . . . . .	01
11	6311127-77	. STRINGER-UPR . . . . .	02
12	6311127-76	. STRINGER-RH UPR INBD . . . . .	01
13	6311127-55	. STRINGER-LH LWR OUTBD . . . . .	01
14	6311127-56	. STRINGER-RH LWR OUTBD . . . . .	01
15	6311127-67	. STRINGER-LH LWR INBD . . . . .	01
16	6311127-66	. STRINGER-RH LWR INBD . . . . .	01
17	6311127-13	. STRINGER-LWR CTR FWD . . . . .	01
18	6311127-32	. STRINGER-LWR CTR AFT . . . . .	01
19	S3528-5D	. ANCHOR ASSY . . . . .	01
20	6318015-69	. ANCHOR ASSY . . . . .	01

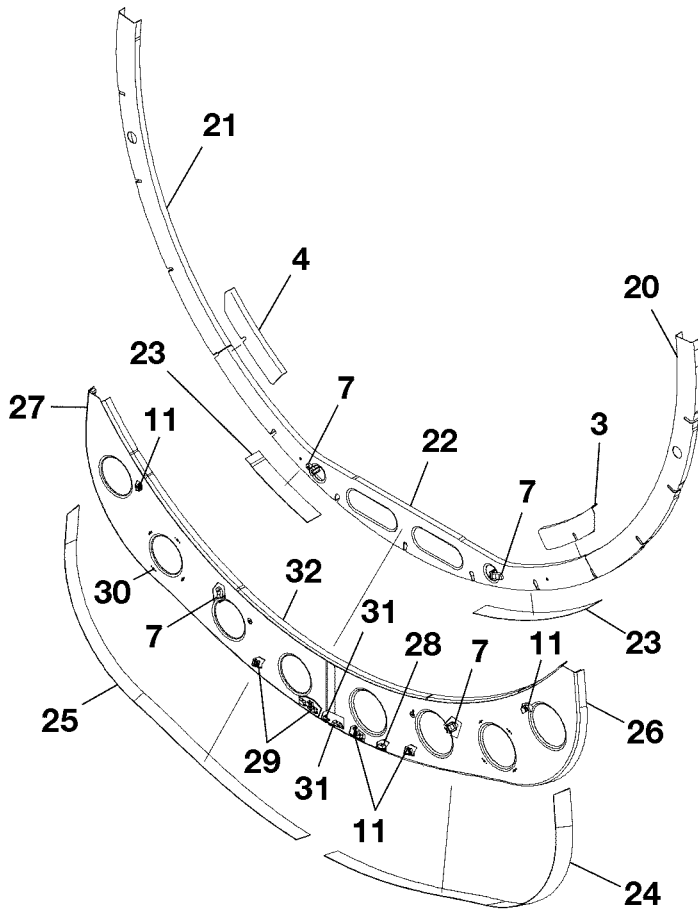
- ITEM NOT ILLUSTRATED

CESSNA®  
**MODEL 525 (SERIALS -0685 AND -0800 AND ON)**  
 ILLUSTRATED PARTS CATALOG

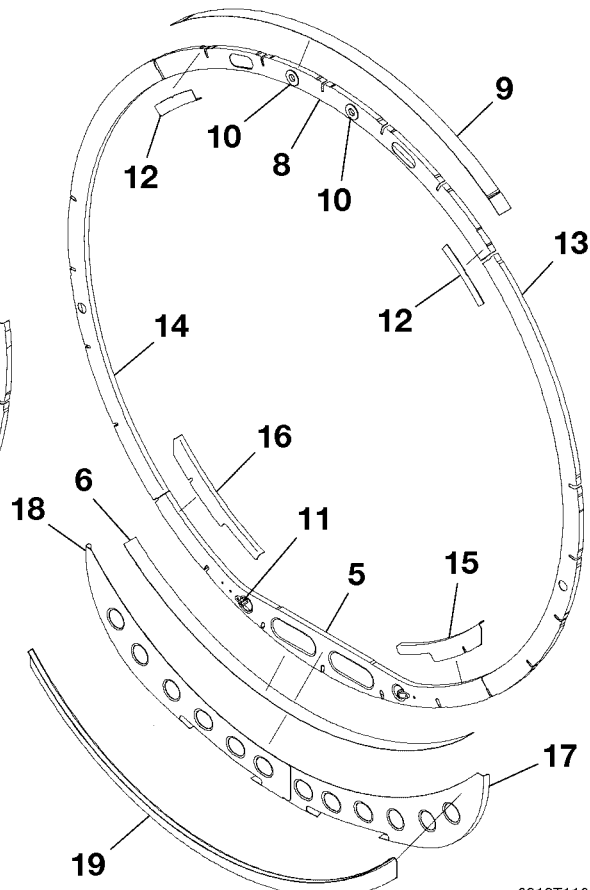
A89984



**DETAIL A**



**DETAIL C**



**DETAIL B**

6310T1168  
 A6311T1146  
 B6311T1143  
 C6311T1145

AFT CABIN STRUCTURE INSTALLATION  
 FIGURE 01 (SHEET 1)

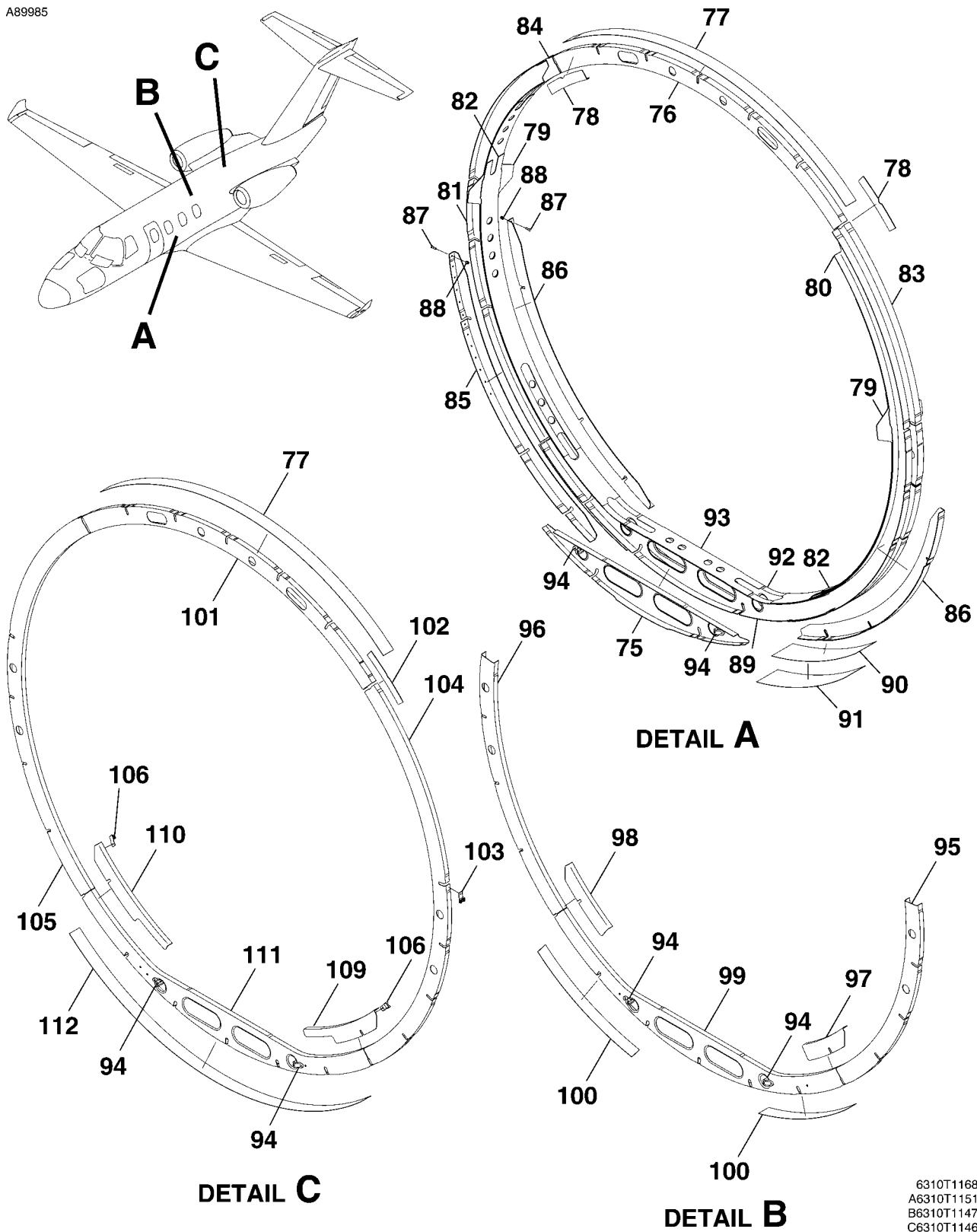
CESSNA®  
**MODEL 525 (SERIALS -0685 AND -0800 AND ON)**  
 ILLUSTRATED PARTS CATALOG

FIG ITEM	PART NUMBER	NOMENCLATURE	UNITS	
			PER	ASSY
01		AFT CABIN STRUCTURE INSTALLATION		RF
-				
1	6311113-3	. FRAME-LH UPPER . . . . .		01
2	6311113-4	. FRAME-RH UPPER . . . . .		01
3	6311099-7	. FRAME SPLICE-LH . . . . .		02
4	6311099-8	. FRAME SPLICE-RH . . . . .		02
5	6311113-6	. FRAME-LOWER . . . . .		02
6	6311113-5	. BAND-LOWER . . . . .		02
7	S4132-1	. ANCHOR . . . . .		06
8	6311113-8	. FRAME-UPPER . . . . .		01
9	6311113-11	. BAND-UPPER . . . . .		01
10	MS35489-19	. GROMMET . . . . .		02
11	S1741-1	. ANCHOR . . . . .	0800	0887 12
- 11A	S1741-1	. ANCHOR . . . . .	0888	& ON 11
12	6311113-7	. FRAME SPLICE . . . . .		02
13	6311113-79	. FRAME-LH . . . . .		01
14	6311113-80	. FRAME-RH . . . . .		01
15	6311113-1	. FRAME SPLICE-LH . . . . .		01
16	6311113-2	. FRAME SPLICE-RH . . . . .		01
17	6310122-9	. FRAME-LH . . . . .		01
18	6310122-10	. FRAME-RH . . . . .		01
19	6310122-11	. ANGLE-RH . . . . .		01
20	6311113-77	. FRAME-LH . . . . .		01
21	6311113-78	. FRAME-RH . . . . .		01
22	6311113-28	. FRAME-LOWER . . . . .		01
23	6311113-27	. BAND . . . . .		02
24	6310123-9	. BAND-LH . . . . .		01
25	6310123-10	. BAND-RH . . . . .		01
26	6310123-11	. WEB-LH . . . . .		01
27	6310123-12	. WEB-RH . . . . .		01
28	MS21059L08	. NUTPLATE . . . . .		27
29	MS21061L08	. NUTPLATE . . . . .		07
30	MS21075L3E	. NUTPLATE . . . . .		08
31	MS21086-08	. NUTPLATE . . . . .		01
32	6310123-13	. ANGLE . . . . .		01

- ITEM NOT ILLUSTRATED

CESSNA®  
**MODEL 525 (SERIALS -0685 AND -0800 AND ON)**  
 ILLUSTRATED PARTS CATALOG

A89985



6310T1168  
 A6310T1151  
 B6310T1147  
 C6310T1146

AFT CABIN STRUCTURE INSTALLATION  
 FIGURE 01 (SHEET 2)



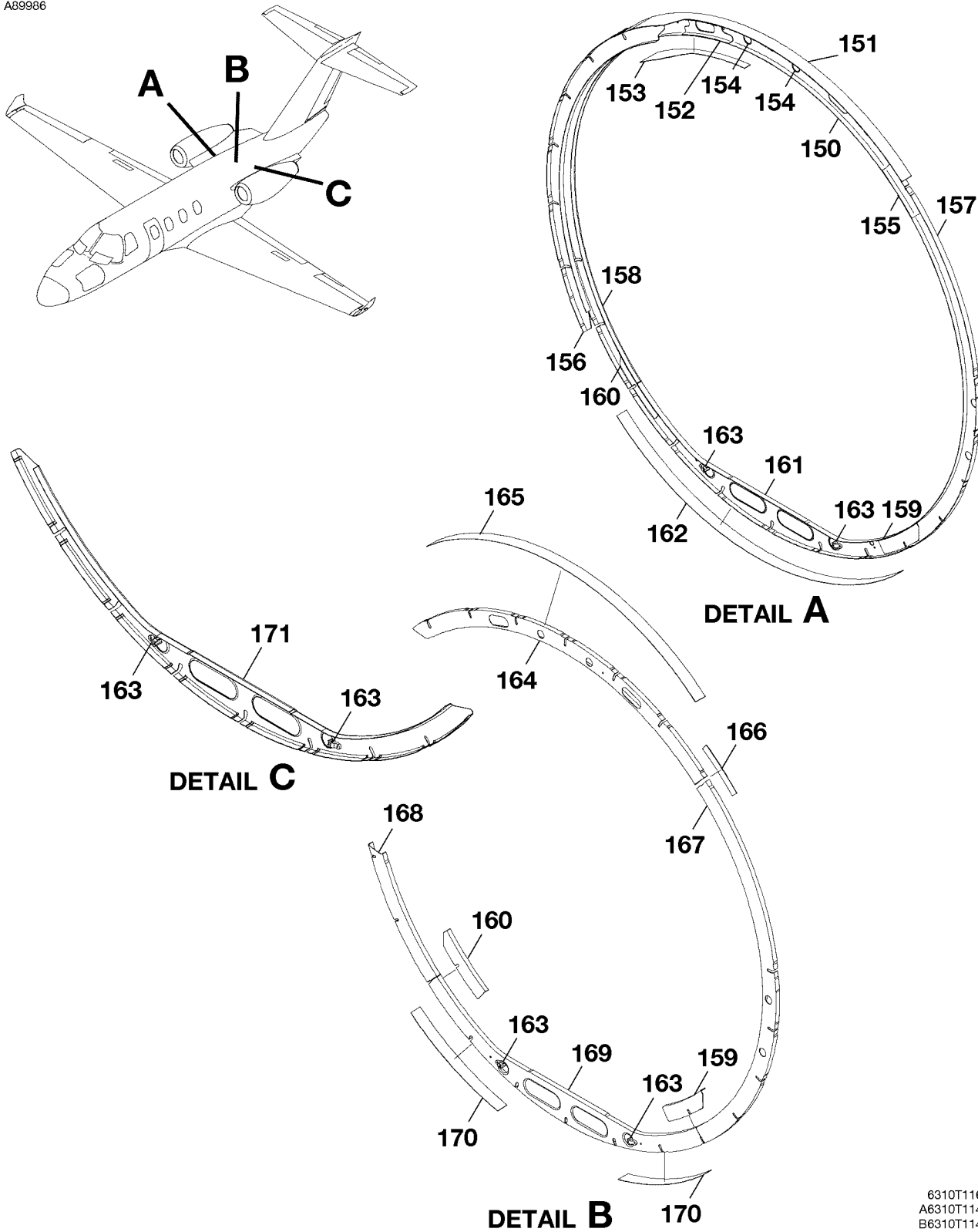
CESSNA®  
**MODEL 525 (SERIALS -0685 AND -0800 AND ON)**  
 ILLUSTRATED PARTS CATALOG

FIG ITEM	PART NUMBER	NOMENCLATURE	UNITS	
			PER	ASSY
		1 2 3 4 5 6 7		
01				
75	6311114-2	. BOND ASSY-DOUBLER . . . . .		01
76	6311113-70	. FRAME SEGMENT-UPPER . . . . .		01
77	6311113-11	. BAND-UPPER . . . . .		02
78	6311113-21	. FRAME SPLICE . . . . .		02
79	6311113-24	. DOUBLER . . . . .		02
80	6311113-83	. FRAME SEGMENT-LH . . . . .		01
81	6311113-84	. FRAME SEGMENT-RH . . . . .		01
82	6311113-30	. DOUBLER . . . . .		02
83	6311113-85	. FRAME SEGMENT-UPPER . . . . .		01
84	6311113-86	. FRAME SEGMENT-UPPER . . . . .		01
85	6311113-13	. DOUBLER-LH . . . . .		02
86	6311113-14	. DOUBLER-RH . . . . .		02
		. ATTACHING PARTS		
87	HL11VBJ5-4	. PIN-HI-LOK . . . . . V73197		13
88	HL70-5	. COLLAR-HI-LOK . . . . . V73197		13
- 88A	S3191-08	. NUT ALT FOR HL70-5 . . . . .		13 R
		—*		
89	6311106-3	. FRAME BOND ASSY . . . . .		01 R
90	6311113-19	. BAND-LH . . . . .		02 R
91	6311113-20	. BAND-RH . . . . .		02 R
92	6311113-68	. FRAME SEGMENT-LOWER . . . . .		01 R
93	6311113-72	. STRAP DOUBLER . . . . .		01 R
94	S4132-1	. ANCHOR . . . . .		06 R
95	6311113-3	. FRAME SEGMENT-LH UPPER . . . . .		01 R
96	6311113-4	. FRAME SEGMENT-RH UPPER . . . . .		01 R
97	6311099-7	. FRAME SPLICE-LH . . . . .		01 R
98	6311099-8	. FRAME SPLICE-RH . . . . .		01 R
99	6311113-28	. FRAME SEGMENT-LOWER . . . . .		01 R
100	6311113-27	. BAND . . . . .		02 R
101	6311113-8	. FRAME SEGMENT-UPPER . . . . .		01 R
102	6311113-7	. FRAME SPLICE . . . . .		02 R
103	S1741-1	. ANCHOR . . . . .	0800	0887 12 R
- 103A	S1741-1	. ANCHOR . . . . .	0888	& ON 11 R
104	6311113-65	. FRAME SEGMENT-LH UPPER . . . . .		01 R
105	6311113-66	. FRAME SEGMENT-RH UPPER . . . . .		01 R
106	S3529-1B1	. ANCHOR ASSY . . . . .		01 R
- 107	S3529-1	. BRACKET . . . . .		01 R
- 108	S1741-1	. ANCHOR . . . . .		01 R
109	6311113-1	. FRAME SPLICE-LH . . . . .		01 R
110	6311113-2	. FRAME SPLICE-RH . . . . .		01 R
111	6311113-6	. FRAME SEGMENT-LOWER . . . . .		01 R
112	6311113-5	. BAND . . . . .		01 R

- ITEM NOT ILLUSTRATED

CESSNA®  
MODEL 525 (SERIALS -0685 AND -0800 AND ON)  
ILLUSTRATED PARTS CATALOG

A89986



AFT CABIN STRUCTURE INSTALLATION  
FIGURE 01 (SHEET 3)

6310T1168  
A6310T1145  
B6310T1148  
C6312T1110

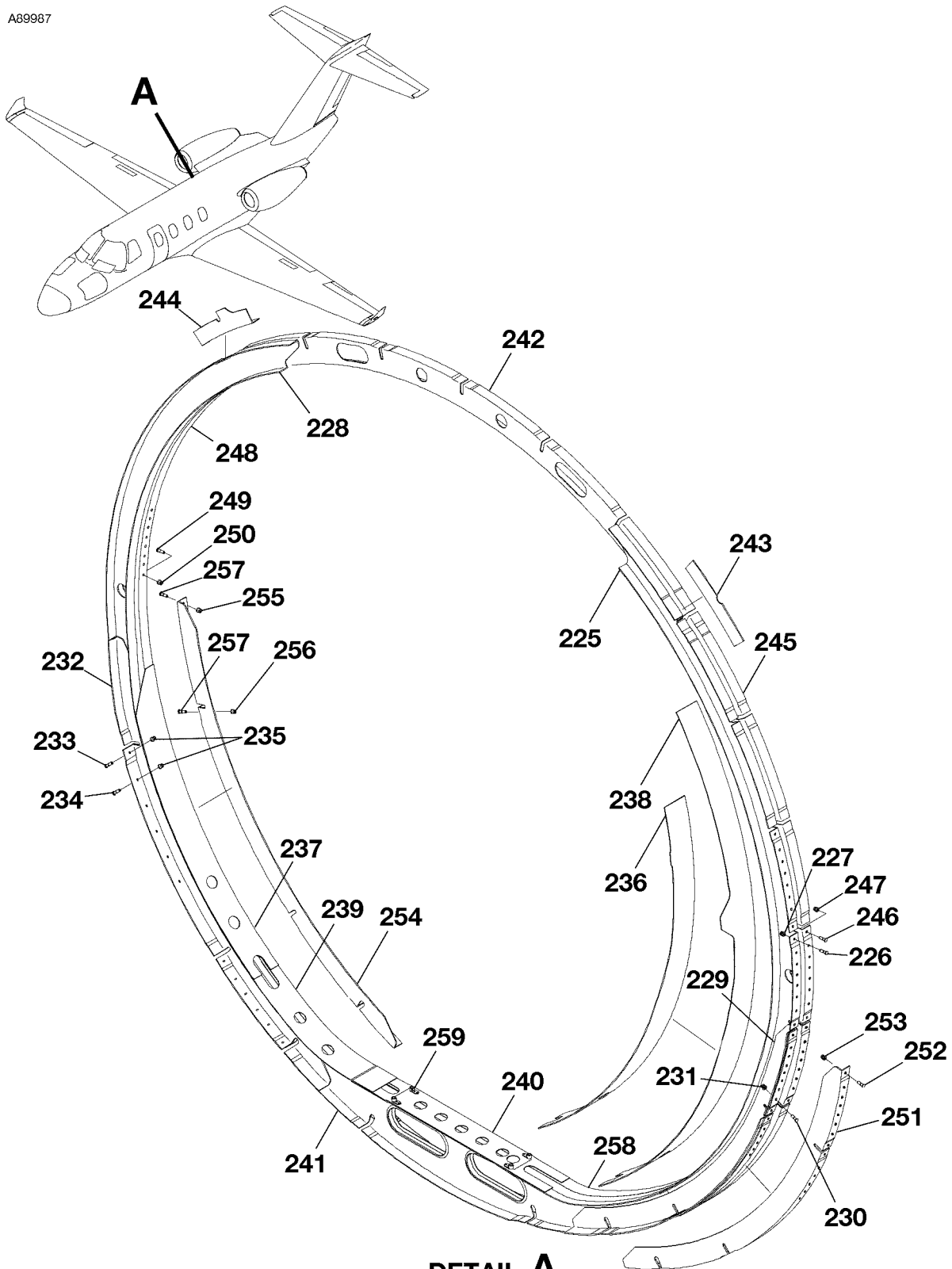
CESSNA®  
**MODEL 525 (SERIALS -0685 AND -0800 AND ON)**  
 ILLUSTRATED PARTS CATALOG

FIG ITEM	PART NUMBER	NOMENCLATURE	UNITS
			PER ASSY
01			
150	6311113-39	. FRAME SEGMENT-UPPER . . . . .	01
151	6311113-64	. BAND . . . . .	01
152	6311109-4	. DOUBLER-RH . . . . .	01
153	6311109-2	. DOUBLER . . . . .	01
154	MS35489-19	. GROMMET . . . . .	02
155	6311113-21	. FRAME SPLICE . . . . .	02
156	6311113-38	. FRAME SEGMENT-RH . . . . .	01
157	6311113-37	. FRAME SEGMENT-LH . . . . .	01
158	6311113-36	. FRAME SEGMENT-RH . . . . .	01
159	6311099-7	. FRAME SPLICE-LH . . . . .	02
160	6311099-8	. FRAME SPLICE-RH . . . . .	02
161	6311113-43	. FRAME-LOWER . . . . .	01
162	6311113-5	. BAND . . . . .	01
163	S4132-1	. ANCHOR . . . . .	06
164	6311113-17	. FRAME SEGMENT-UPPER . . . . .	01
165	6311113-18	. BAND . . . . .	01
166	6311113-7	. FRAME SPLICE-LH . . . . .	01
167	6311113-45	. FRAME SEGMENT-LH . . . . .	01
168	6311214-32	. FRAME SEGMENT-RH . . . . .	01
169	6311113-67	. FRAME-LOWER . . . . .	01
170	6311113-27	. BAND . . . . .	02
171	6311113-62	. FRAME SEGMENT-LOWER . . . . .	01

- ITEM NOT ILLUSTRATED

CESSNA®  
MODEL 525 (SERIALS -0685 AND -0800 AND ON)  
ILLUSTRATED PARTS CATALOG

A89987



**DETAIL A**

AFT CABIN STRUCTURE INSTALLATION  
FIGURE 01 (SHEET 4)

6310T1168  
A6311T1150

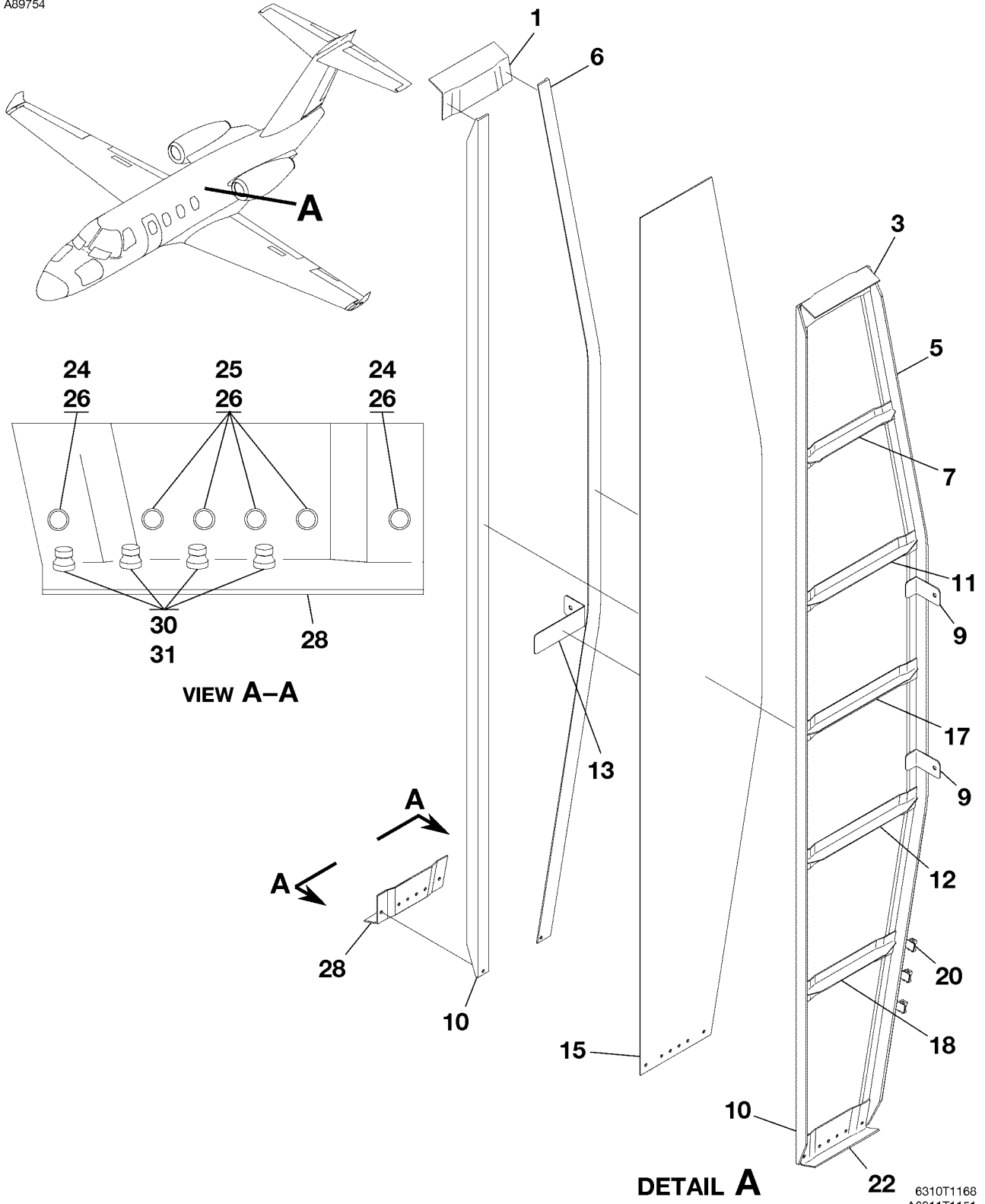
CESSNA®  
**MODEL 525 (SERIALS -0685 AND -0800 AND ON)**  
 ILLUSTRATED PARTS CATALOG

FIG ITEM	PART NUMBER	NOMENCLATURE	UNITS	
			PER	ASSY
01				
225	6311113-71	. FRAME SEGMENT-LH . . . . .		01
		ATTACHING PARTS		
226	HL11VBJ5-4	. PIN-HI-LOK . . . . . V73197		08
227	HL70-5	. COLLAR-HI-LOK . . . . . V73197		08
- 227A	S3191-08	. NUT ALT FOR HL70-5 . . . . .		08
		—*—		
228	6311113-90	. FRAME SEGMENT-RH . . . . .		01
229	6311113-51	. FRAME SPLICE-LH . . . . .		01
		ATTACHING PARTS		
230	HL11VBJ5-4	. PIN-HI-LOK . . . . . V73197		15
231	HL70-5	. COLLAR-HI-LOK . . . . . V73197		15
- 231A	S3191-08	. NUT ALT FOR HL70-5 . . . . .		15
		—*—		
232	6311113-52	. FRAME SPLICE-RH . . . . .		01
		ATTACHING PARTS		
233	HL19PB5-5	. PIN-HI-LOK . . . . .		01
234	HL11VBJ5-4	. PIN-HI-LOK . . . . . V73197		05
235	HL70-5	. COLLAR-HI-LOK . . . . . V73197		06
- 235A	S3191-08	. NUT ALT FOR HL70-5 . . . . .		06
		—*—		
236	6311214-23	. DOUBLER-LH . . . . .		01
237	6311113-60	. DOUBLER-RH FSO 6311214-24 . . . . .	0001 0989	NP R
- 237A	6311214-24	. DOUBLER-RH . . . . .	0990 & ON	01 R
238	6311214-21	. STRAP-LH INNER . . . . .		01
239	6311113-56	. STRAP-RH INNER FSO 6311214-22 . . . . .	0001 0989	NP R
- 239A	6311214-22	. STRAP-RH INNER . . . . .	0990 & ON	01 R
240	6311113-59	. DOUBLER . . . . .		01
241	6311113-94	. FRAME SEGMENT-LOWER . . . . .		01
242	6311113-46	. FRAME SEGMENT-UPPER . . . . .		01
243	6311113-21	. FRAME SPLICE-LH . . . . .		01
244	6311113-58	. FRAME SPLICE-RH . . . . .		01
245	6311113-87	. FRAME SEGMENT-LH . . . . .		01
		ATTACHING PARTS		
246	HL11VBJ5-4	. PIN-HI-LOK . . . . . V73197		08
247	HL70-5	. COLLAR-HI-LOK . . . . . V73197		08
- 247A	S3191-08	. NUT ALT FOR HL70-5 . . . . .		08
		—*—		
248	6311113-88	. FRAME SEGMENT-RH . . . . .		01
		ATTACHING PARTS		
249	HL19PB5-4	. PIN-HI-LOK . . . . . V73197		08
250	HL70-5	. COLLAR-HI-LOK . . . . . V73197		08
- 250A	S3191-08	. NUT ALT FOR HL70-5 . . . . .		08
		—*—		
251	6311113-53	. FRAME SPLICE-LH . . . . .		01
		ATTACHING PARTS		
252	HL11VBJ5-4	. PIN-HI-LOK . . . . . V73197		14
253	HL70-5	. COLLAR-HI-LOK . . . . . V73197		14
- 253A	S3191-08	. NUT ALT FOR HL70-5 . . . . .		14
		—*—		
254	6311113-54	. FRAME SPLICE-RH . . . . .		01
		ATTACHING PARTS		
255	HL19PB5-5	. PIN-HI-LOK . . . . . V73197		09
256	HL11VBJ5-4	. PIN-HI-LOK . . . . . V73197		05
257	HL70-5	. COLLAR-HI-LOK . . . . . V73197		14
- 257A	S3191-08	. NUT ALT FOR HL70-5 . . . . .		14
		—*—		
258	6311113-93	. FRAME SEGMENT-LOWER . . . . .		01
259	MS21071L08	. NUTPLATE . . . . .		04

- ITEM NOT ILLUSTRATED

CESSNA®  
**MODEL 525 (SERIALS -0685 AND -0800 AND ON)**  
 ILLUSTRATED PARTS CATALOG

A89754



6310T1168  
 A6311T1151  
 AA6311T1152

VERTICAL BEAM INSTALLATION  
 FIGURE 01 (SHEET 1)

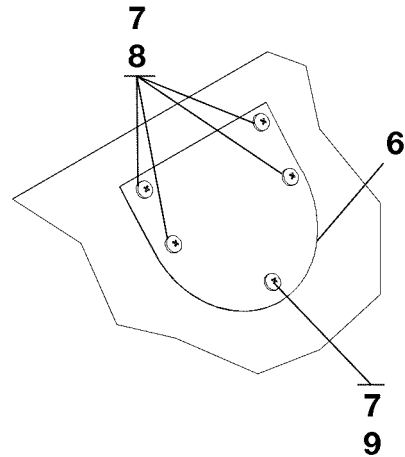
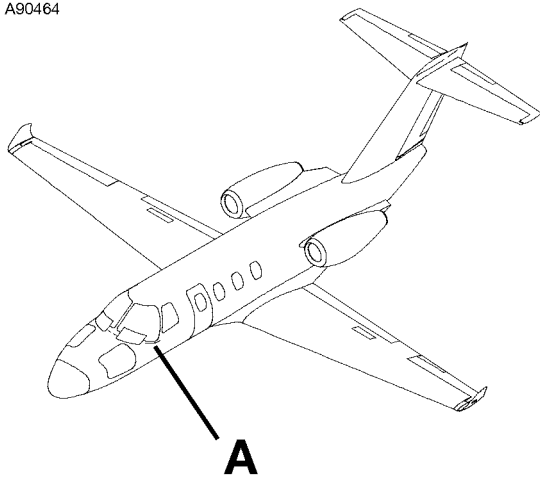
CESSNA®  
**MODEL 525 (SERIALS -0685 AND -0800 AND ON)**  
 ILLUSTRATED PARTS CATALOG

FIG ITEM	PART NUMBER	NOMENCLATURE	UNITS
			PER ASSY
01		VERTICAL BEAM INSTALLATION	RF
-			
1	6311115-15	. ANGLE-LH UPR INBD . . . . .	01
- 2	6311115-16	. ANGLE-RH UPR INBD . . . . .	01
3	6311115-13	. ANGLE-LH UPR OUTBD . . . . .	01
- 4	6311115-14	. ANGLE-RH UPR OUTBD . . . . .	01
5	6311115-25	. ANGLE . . . . .	02
6	6311115-26	. ANGLE . . . . .	02
7	6311115-27	. TEE . . . . .	01
- 8	6311115-28	. TEE . . . . .	01
9	6311115-34	. BRACKET-LH . . . . .	04
10	6311115-23	. ANGLE . . . . .	04
11	6311115-30	. TEE . . . . .	02
12	6311115-29	. TEE . . . . .	02
13	6311115-35	. BRACKET-LH GROUND . . . . .	01
- 14	S1741-5	. ANCHOR-RH . . . . .	05
15	6311115-21	. WEB-LH . . . . .	01
- 16	6311115-22	. WEB-RH . . . . .	01
17	6311115-33	. TEE . . . . .	02
18	6311115-31	. TEE-LH . . . . .	01
- 19	6311115-32	. TEE-RH . . . . .	01
20	S3529-1B1	. ANCHOR ASSY-LH . . . . .	05
- 21	S3528-5D	. ANCHOR ASSY-RH . . . . .	02
22	6311115-17	. ANGLE-LH LWR . . . . .	01
- 23	6311115-18	. ANGLE-RH LWR . . . . .	01
		ATTACHING PARTS	
24	HL10VBJ5-10	. PIN-HI-LOK . . . . . V73197	02
25	HL10VBJ5-8	. PIN-HI-LOK . . . . . V73197	04
26	HL70-5	. COLLAR-HI-LOK . . . . . V73197	06
- 27	S3191-08	. NUT-ALT FOR HL70-5 . . . . .	06
		—*—	
28	6311115-19	. ANGLE-LH LWR . . . . .	01
- 29	6311115-20	. ANGLE-RH LWR . . . . .	01
		ATTACHING PARTS	
30	HL10VBJ5-4	. PIN-HI-LOK . . . . . V73197	04
31	HL70-5	. COLLAR-HI-LOK . . . . . V73197	04
- 32	S3191-08	. NUT-ALT FOR HL70-5 . . . . .	04
		—*—	

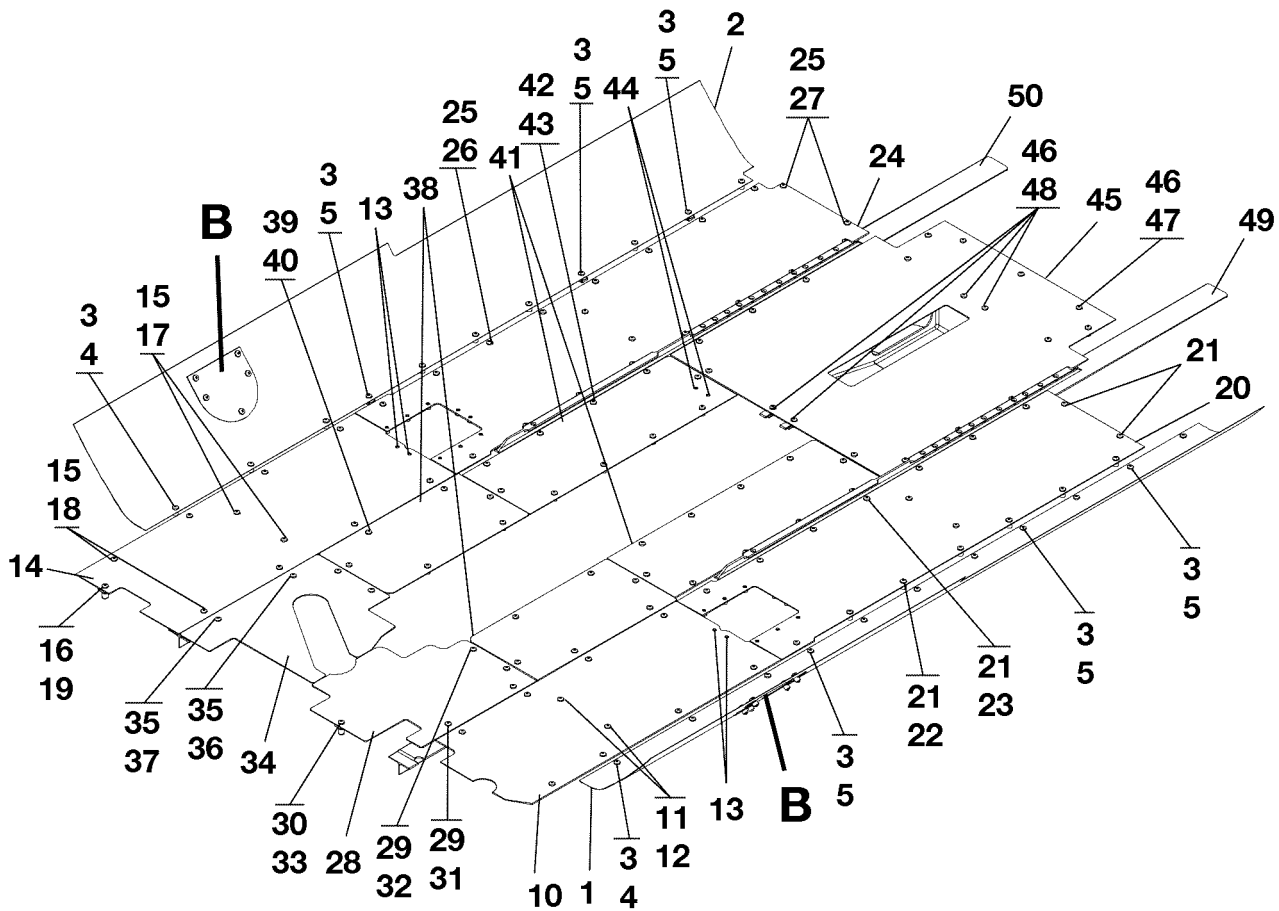
- ITEM NOT ILLUSTRATED

CESSNA®  
**MODEL 525 (SERIALS -0685 AND -0800 AND ON)**  
 ILLUSTRATED PARTS CATALOG

A90464



**DETAIL B**



**DETAIL A**

CABIN FLOORBOARDS  
 FIGURE 01 (SHEET 1)

6310T1168  
 A6313T1155  
 B6313T1155



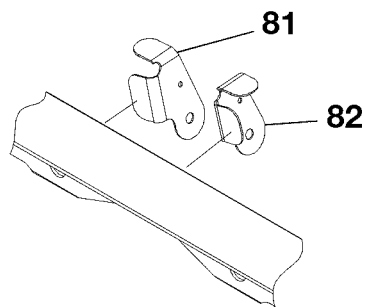
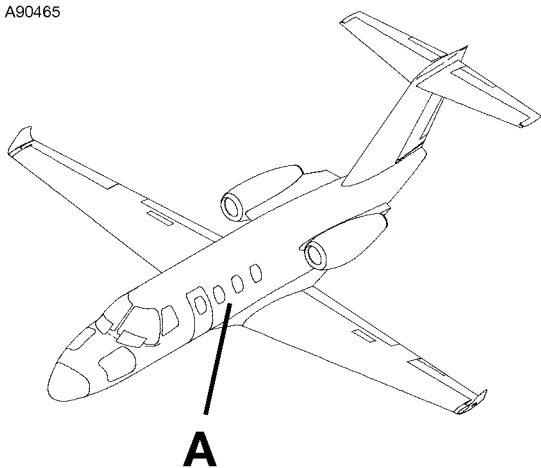
CESSNA®  
**MODEL 525 (SERIALS -0685 AND -0800 AND ON)**  
 ILLUSTRATED PARTS CATALOG

FIG ITEM	PART NUMBER	NOMENCLATURE	UNITS						
			PER	ASSY					
		1	2	3	4	5	6	7	
01		CABIN FLOORBOARDS							RF
-									
1	6311178-11	. CLOSEOUT PANEL-LH . . . . .							01
2	6311080-38	. PANEL-RH . . . . .							01
		ATTACHING PARTS							
3	MS27039-1-07	. SCREW . . . . .							11
4	MS21047L3	. NUTPLATE . . . . .							08
5	S1477-3A	. NUT . . . . .							03
		—*—							
6	5511070-22	. ACCESS PANEL . . . . .							02
		ATTACHING PARTS							
7	MS27039-1-07	. SCREW . . . . .							05
8	MS21051L3	. NUTPLATE . . . . .							04
9	MS21047L3	. NUTPLATE . . . . .							01
		—*—							
10	6311178-14	. FLOORBOARD PANEL-LH . . . . .							01
		ATTACHING PARTS							
11	MS27039-1-07	. SCREW . . . . .							10
12	MS21047L3	. NUTPLATE . . . . .							10
		—*—							
13	MS21055L3	. NUTPLATE . . . . .							04
14	6311178-8	. FLOORBOARD PANEL-RH . . . . .							01
		ATTACHING PARTS							
15	MS27039-1-07	. SCREW . . . . .							10
16	MS27039-1-10	. SCREW . . . . .							01
17	MS21047L3	. NUTPLATE . . . . .							08
18	S1477-3A	. NUT . . . . .							02
19	CB6008CR3-4P	. NUTPLATE-DOME FLOATING . . . . .				V66530			01
		—*—							
20	6311178-5	. FLOORBOARD PANEL ASSY-LH . . . . .							01
		ATTACHING PARTS							
21	MS27039-1-07	. SCREW . . . . .							18
22	MS21047L3	. NUTPLATE . . . . .							15
23	S1477-3A	. NUT . . . . .							01
		—*—							
24	6311080-28	. PANEL ASSY-RH . . . . .							01
		ATTACHING PARTS							
25	MS27039-1-07	. SCREW . . . . .							20
26	MS21047L3	. NUTPLATE . . . . .							18
27	MS21051L3	. NUTPLATE . . . . .							02
		—*—							
28	6311410-5	. FLOORBOARD-LH FWD . . . . .					0800	0829	01
- 28A	6311410-15	. FLOORBOARD-LH FWD . . . . .					0830	& ON	01
		ATTACHING PARTS							
29	MS27039-1-07	. SCREW . . . . .							04
30	MS27039-1-10	. SCREW . . . . .							01
31	MS21047L3	. NUTPLATE . . . . .							03
32	S1477-3A	. NUT . . . . .							01
33	CB6008CR3-4P	. NUTPLATE-DOME FLOATING . . . . .				V66530			01
		—*—							
34	6311410-4	. FLOORBOARD-RH . . . . .					0800	0829	01
- 34A	6311410-14	. FLOORBOARD-RH . . . . .					0830	& ON	01
		ATTACHING PARTS							
35	MS27039-1-07	. SCREW . . . . .							04
36	MS21047L3	. NUTPLATE . . . . .							03
37	S1477-3A	. NUT . . . . .							01
		—*—							
38	6311410-6	. FLOORBOARD-AFT . . . . .							02
39	MS27039-1-07	. SCREW . . . . .							06
40	MS21047L3	. NUTPLATE . . . . .							06
41	6311178-1	. FLOORBOARD PANEL . . . . .							02
		ATTACHING PARTS							
42	MS27039-1-07	. SCREW . . . . .							10
43	MS21047L3	. NUTPLATE . . . . .							10
		—*—							
44	MS21059L3	. NUTPLATE . . . . .							02
45	6311080-40	. PANEL ASSY FSO 6311178-15 . . . . .					0685	0685	NP R
							0800	0923	
- 45A	6311178-15	. PANEL ASSY . . . . .					0924	& ON	01 R
		ATTACHING PARTS							
46	MS27039-1-07	. SCREW . . . . .							15
47	MS21047L3	. NUTPLATE . . . . .							15
48	S1477-3A	. NUT . . . . .							04
		—*—							
49		. SEAT TRACK-LH INBOARD REFER TO 53-21-00 FIGURE 04 . . . . .							RF
50		. SEAT TRACK-RH INBOARD REFER TO 53-21-00 FIGURE 04 . . . . .							RF

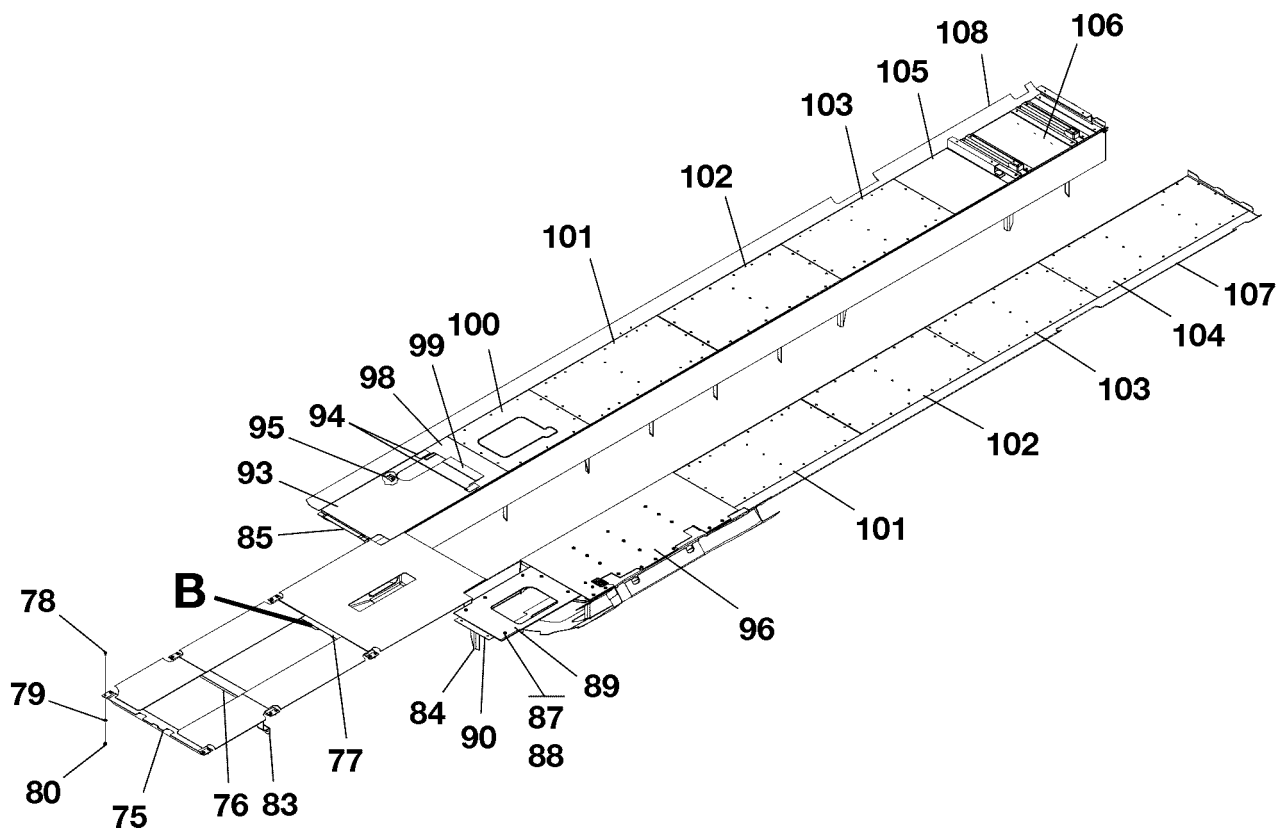
- ITEM NOT ILLUSTRATED

CESSNA®  
**MODEL 525 (SERIALS -0685 AND -0800 AND ON)**  
 ILLUSTRATED PARTS CATALOG

A90465



**DETAIL B**



**DETAIL A**

CABIN FLOORBOARDS  
 FIGURE 01 (SHEET 2)

6310T1168  
 A6313T1155  
 B6313T1155

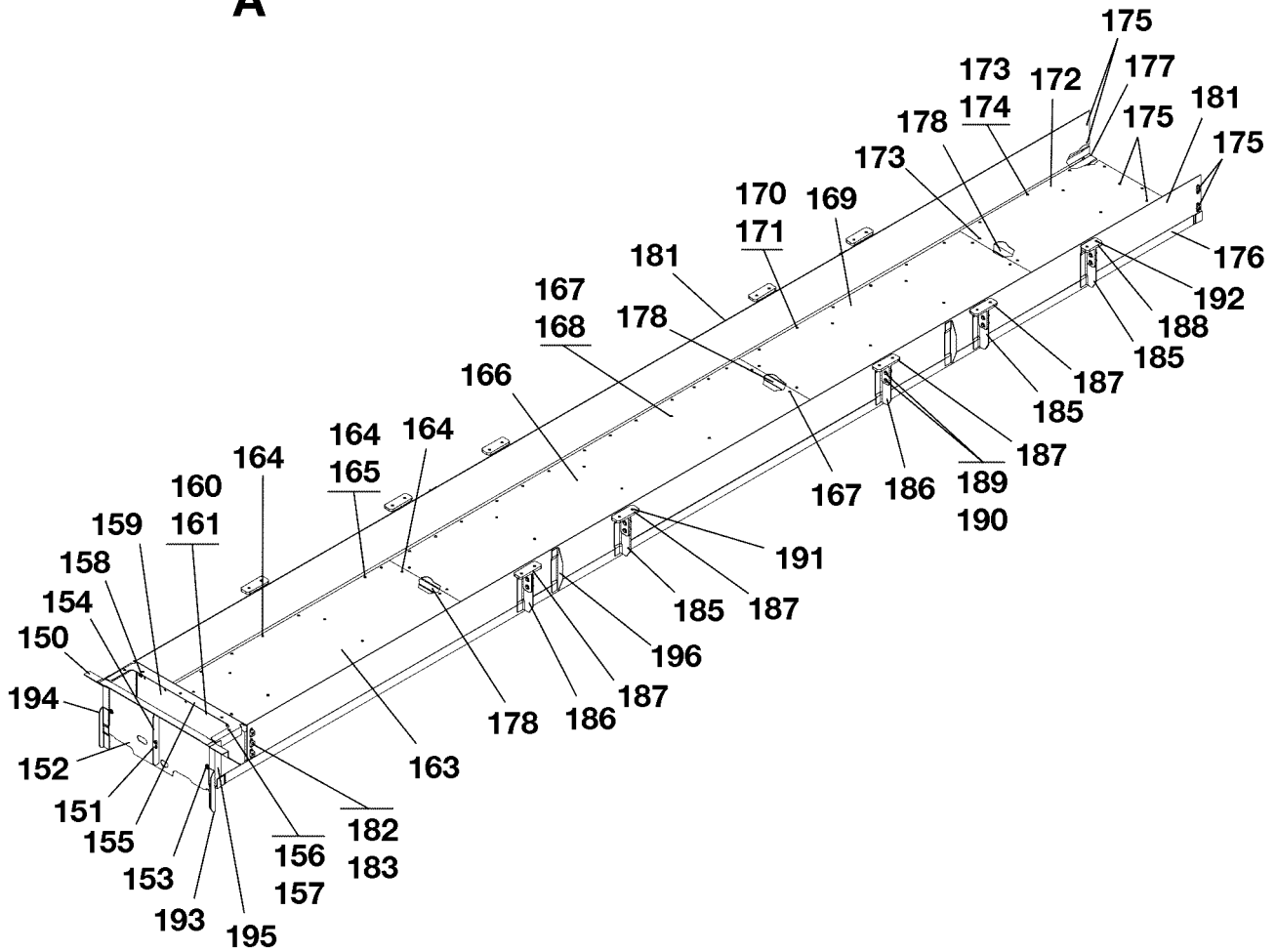
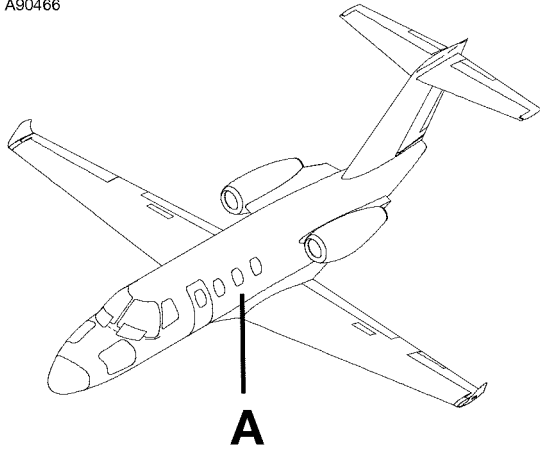
CESSNA®  
**MODEL 525 (SERIALS -0685 AND -0800 AND ON)**  
 ILLUSTRATED PARTS CATALOG

FIG ITEM	PART NUMBER	NOMENCLATURE	UNITS
			PER ASSY
01			
75	6311410-1	. FLOORBOARD SUPPORT TEE . . . . .	01
76	6311080-12	. TEE . . . . .	01
77	6311080-33	. TEE . . . . .	01
		ATTACHING PARTS	
78	MS24694-S48	. SCREW . . . . .	04
79	NAS1149F0363P	. WASHER . . . . .	04
80	MS21083N3	. NUT . . . . .	04
		—*—	
81	6365037-2	. BRACKET . . . . .	01
82	6365037-3	. BRACKET . . . . .	01
83	6314160-73	. SUPPORT . . . . .	01
84	6311080-15	. ANGLE-LH . . . . .	01
85	6311080-22	. ANGLE-RH . . . . .	01
- 86	6311411-1	. FLOORBOARD ASSY-LH FWD . . . . .	01
		ATTACHING PARTS	
87	MS27039-1-07	. SCREW . . . . .	06
88	S1477-3	. NUT . . . . .	06
		—*—	
89	6311411-2	. . FLOORBOARD-LH FWD . . . . .	01
90	6311223-56	. . SUPPORT ASSY . . . . .	01
- 91	MS21047L3	. . . NUTPLATE . . . . .	02
- 92	6311124-109	. FLOORBOARD ASSY . . . . .	01
93	6311124-110	. . FLOORBOARD PANEL . . . . .	01
94	6311124-95	. STRAP . . . . .	02
95	S1741-5	. ANCHOR . . . . .	01
96	6311091-19	. FLOORBOARD . . . . .	01
- 97	6311124-112	. FLOORBOARD ASSY . . . . .	01
98	6311124-113	. . FLOORBOARD PANEL . . . . .	01
99	6311124-111	. . STRAP . . . . .	01
100	6311124-80	. FLOORBOARD PANEL . . . . .	01
101	6311124-45	. FLOORBOARD PANEL . . . . .	02
102	6311124-43	. FLOORBOARD PANEL . . . . .	02
103	6311124-46	. FLOORBOARD PANEL . . . . .	02
104	6311124-44	. FLOORBOARD PANEL . . . . .	01
105	6311361-15	. FLOORBOARD PANEL . . . . .	01
106	6311361-14	. FLOORBOARD PANEL . . . . .	01
107	6311124-119	. CLOSEOUT COVER-LH . . . . .	01
108	6311124-118	. CLOSEOUT COVER-RH . . . . .	01

- ITEM NOT ILLUSTRATED

CESSNA®  
MODEL 525 (SERIALS -0685 AND -0800 AND ON)  
ILLUSTRATED PARTS CATALOG

A90466



**DETAIL A**

CABIN FLOORBOARDS  
FIGURE 01 (SHEET 3)

6310T1168  
A6313T1155

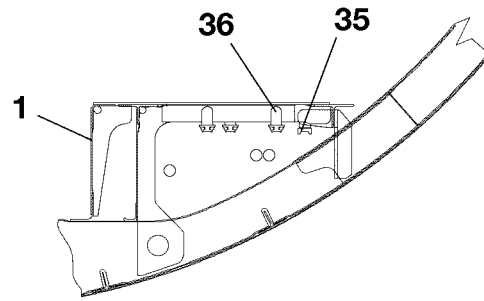
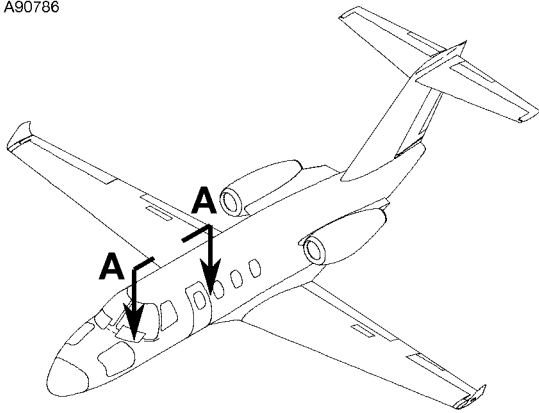
CESSNA®  
**MODEL 525 (SERIALS -0685 AND -0800 AND ON)**  
 ILLUSTRATED PARTS CATALOG

FIG ITEM	PART NUMBER	NOMENCLATURE	UNITS
			PER ASSY
01			
150	6311124-59	. FLOORBOARD SUPPORT . . . . .	01
151	MS3341-2-9	. MOUNT . . . . .	01
152	6311124-104	. AISLE PANEL-FWD . . . . .	01
153	MS35489-4	. GROMMET . . . . .	02
154	6311124-23	. STIFFENER SUPPORT . . . . .	01
155	6311229-9	. FLOORBOARD SUPPORT . . . . . ATTACHING PARTS	01
156	MS27039-1-07	. SCREW . . . . .	05
157	S1477-3	. NUT . . . . . —*—	05
158	S3529-1B1	. ANCHOR ASSY . . . . .	01
159	6311229-10	. CLOSEOUT . . . . . ATTACHING PARTS	01
160	MS27039-1-07	. SCREW . . . . .	05
161	MS21060-3	. NUTPLATE . . . . .	05
- 162	NAS686C3	. NUTPLATE ALT FOR MS21060-3 . . . . . —*—	05
163	6311229-6	. FLOORBOARD . . . . . ATTACHING PARTS	01
164	MS27039-1-07	. SCREW . . . . .	24
165	S1477-3	. NUT . . . . . —*—	20
166	6311124-15	. AISLE PANEL-CENTER . . . . . ATTACHING PARTS	01
167	MS27039-1-07	. SCREW . . . . .	39
168	S1477-3	. NUT . . . . . —*—	36
169	6311124-16	. AISLE PANEL-CENTER AFT . . . . . ATTACHING PARTS	01
170	MS27039-1-07	. SCREW . . . . .	24
171	S1477-3	. NUT . . . . . —*—	24
172	6311124-17	. AISLE PANEL-AFT . . . . . ATTACHING PARTS	01
173	MS27039-1-07	. SCREW . . . . .	15
174	S1477-3	. NUT . . . . . —*—	12
175	MS21047-08	. NUTPLATE . . . . .	06
176	6311124-19	. AISLE SUPPORT-LOWER LH . . . . .	01
177	6311124-20	. AISLE SUPPORT-LOWER RH . . . . .	01
178	6311124-79	. SPLICE SUPPORT ASSY . . . . .	03
- 179	MS21060L3	. . NUTPLATE . . . . .	03
- 180	NAS686C3M	. . NUTPLATE ALT FOR MS21060L3 . . . . .	03
181	6311124-114	. AISLE WALL . . . . . ATTACHING PARTS	02
182	MS27039-1-07	. SCREW . . . . .	03
183	MS21060-3	. NUTPLATE . . . . .	03
- 184	NAS686C3	. NUTPLATE ALT FOR MS21060-3 . . . . . —*—	03
185	6311124-3	. SUPPORT DOUBLER . . . . .	06
186	6311124-38	. SUPPORT . . . . .	04
187	6311124-4	. SUPPORT DOUBLER . . . . .	09
188	6311124-87	. SUPPORT DOUBLER . . . . . ATTACHING PARTS	01
189	HL10VBJ8-4	. PIN-HI-LOK . . . . . V73197	02
190	HL70-8	. COLLAR-HI-LOK . . . . . V73197 —*—	02
191	MS21075L4N	. NUTPLATE . . . . .	18
192	MS21073L3	. NUTPLATE . . . . .	02
193	6311124-5	. ANGLE CLIP-LH . . . . .	01
194	6311124-6	. ANGLE CLIP-RH . . . . .	01
195	6311124-26	. SUPPORT . . . . .	02
196	6311124-98	. STIFFENER . . . . .	04

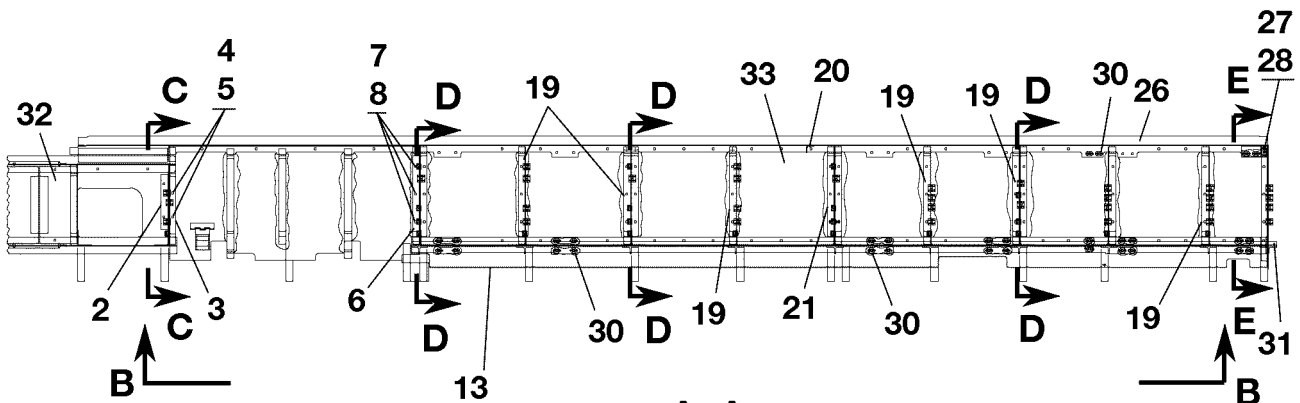
- ITEM NOT ILLUSTRATED

CESSNA®  
**MODEL 525 (SERIALS -0685 AND -0800 AND ON)**  
 ILLUSTRATED PARTS CATALOG

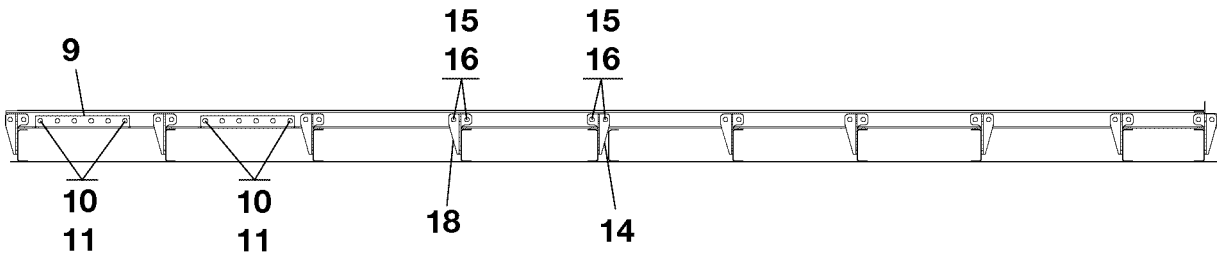
A90786



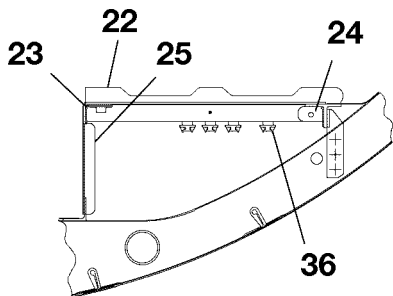
**VIEW C-C**



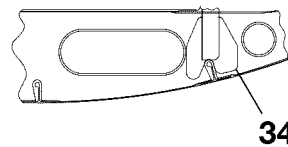
**VIEW A-A**



**VIEW B-B**



**VIEW E-E**



**VIEW D-D**

**CABIN FLOORBOARD SUPPORT INSTALLATION**  
 FIGURE 02 (SHEET 1)

6310T1168  
 AA6311T1222  
 BB6311T1222  
 CC6311T1222  
 DD6311T1222  
 EE6311T1222

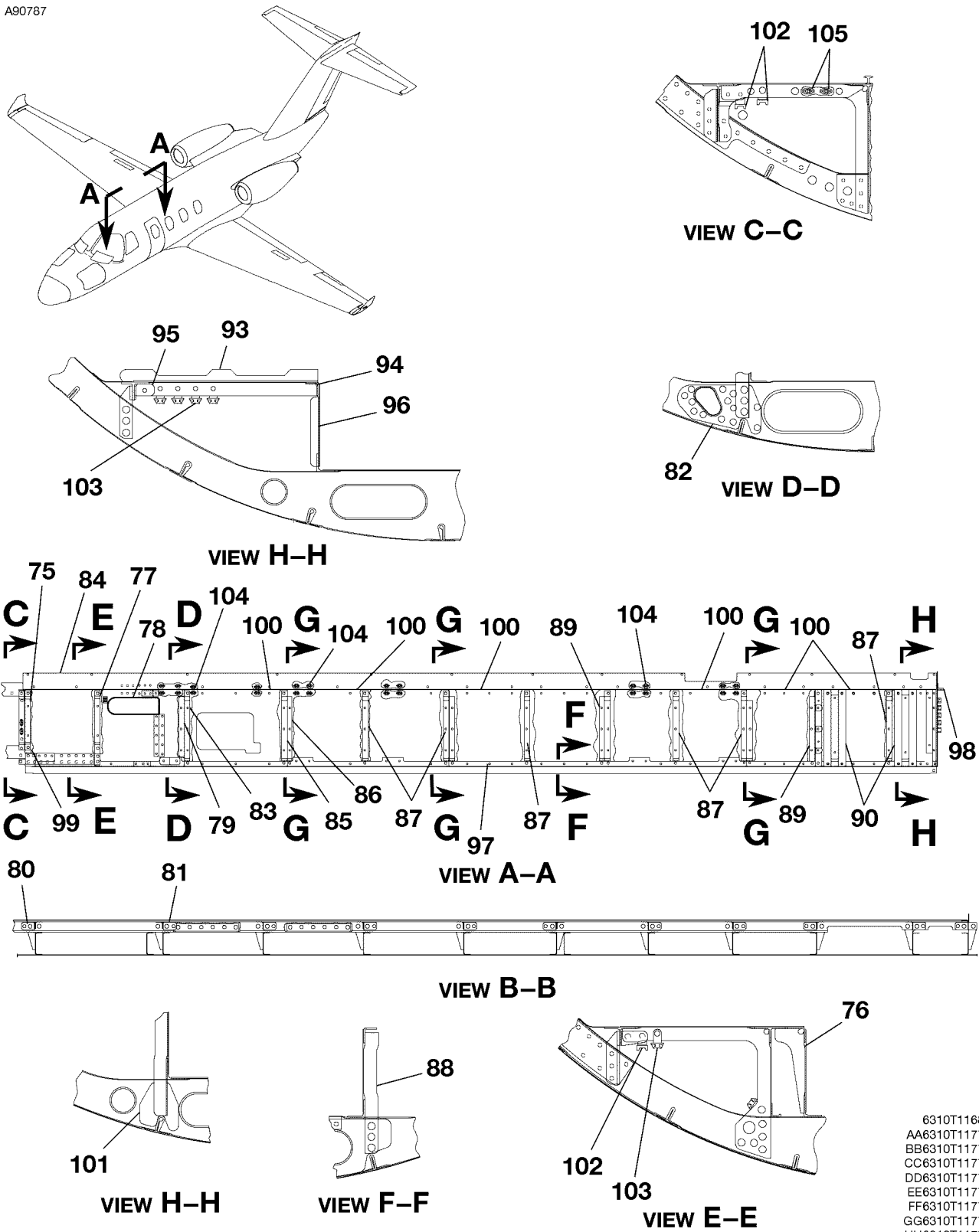
CESSNA®  
**MODEL 525 (SERIALS -0685 AND -0800 AND ON)**  
 ILLUSTRATED PARTS CATALOG

FIG ITEM	PART NUMBER	NOMENCLATURE	UNITS
			PER ASSY
		1 2 3 4 5 6 7	
02		CABIN FLOORBOARD SUPPORT INSTALLATION	RF
-			
1	6311124-29	. CLIP-LH . . . . .	01
2	6311124-91	. ANGLE . . . . .	01
3	6311124-75	. FLOORBOARD SUPPORT-LH . . . . . ATTACHING PARTS	01
4	MS27039-1-07	. SCREW . . . . .	02
5	S1477-3	. NUT . . . . . —*—	02
6	6311124-67	. FLOORBOARD SUPPORT . . . . . ATTACHING PARTS	02
7	MS27039-1-07	. SCREW . . . . .	03
8	S1477-3	. NUT . . . . . —*—	03
9	6311124-37	. SEAT SUPPORT . . . . . ATTACHING PARTS	04
10	HL10VBJ6-5	. PIN-HI-LOK . . . . . V73197	06
11	HL70-6	. COLLAR-HI-LOK . . . . . V73197	06
- 12	S3191-3	. NUT-ALT FOR HL70-6 . . . . . —*—	06
13		. CLOSEOUT COVER-LH REFER TO 53-21-00 FIGURE 01 . . . . .	RF
14	6311124-7	. DOUBLER-LH . . . . .	11
15	HL10VBJ5-5	. PIN-HI-LOK . . . . . V73197	32
16	HL70-5	. COLLAR-HI-LOK . . . . . V73197	32
- 17	S3191-08	. NUT-ALT FOR HL70-5 . . . . .	32
18	6311124-8	. DOUBLER-RH . . . . .	10
19	6311124-1	. FLOORBOARD SUPPORT-LH . . . . .	07
20	6311124-41	. FLOORBOARD SUPPORT-LH . . . . .	01
21	6311124-65	. FLOORBOARD SUPPORT . . . . .	03
22	6311124-53	. SUPPORT-LH AFT . . . . .	01
23	6311124-85	. CLIP-LH . . . . .	01
24	6311124-51	. CLIP-LH . . . . .	01
25	6311124-77	. FLOORBOARD SUPPORT-LH . . . . .	01
26	6311124-101	. FLOORBOARD SUPPORT-LH INBD . . . . . ATTACHING PARTS	01
27	MS27039-1-07	. SCREW . . . . .	01
28	MS21059L3	. NUTPLATE . . . . .	01
- 29	NAS1791A3-1	. NUTPLATE-ALT FOR MS21059L3 . . . . . —*—	01
30	MS21075L3N	. NUTPLATE . . . . .	30
31	6311124-99	. FLOORBOARD SUPPORT-LH OUTBD . . . . .	01
32		. PANEL ASSY-LH REFER TO 53-21-00 FIGURE 01 . . . . .	RF
33		. FLOORBOARD PANEL-LH REFER TO 53-21-00 FIGURE 01 . . . . .	RF
34	6311124-9	. DOUBLER-LH . . . . .	03
35	S3528-5D	. ANCHOR ASSY . . . . .	22
36	S4132-1	. ANCHOR . . . . .	31

- ITEM NOT ILLUSTRATED

CESSNA®  
**MODEL 525 (SERIALS -0685 AND -0800 AND ON)**  
 ILLUSTRATED PARTS CATALOG

A90787



CABIN FLOORBOARD SUPPORT INSTALLATION  
 FIGURE 02 (SHEET 2)

6310T1168  
 AA6310T1177  
 BB6310T1177  
 CC6310T1177  
 DD6310T1177  
 EE6310T1177  
 FF6310T1177  
 GG6310T1177  
 HH6310T1177



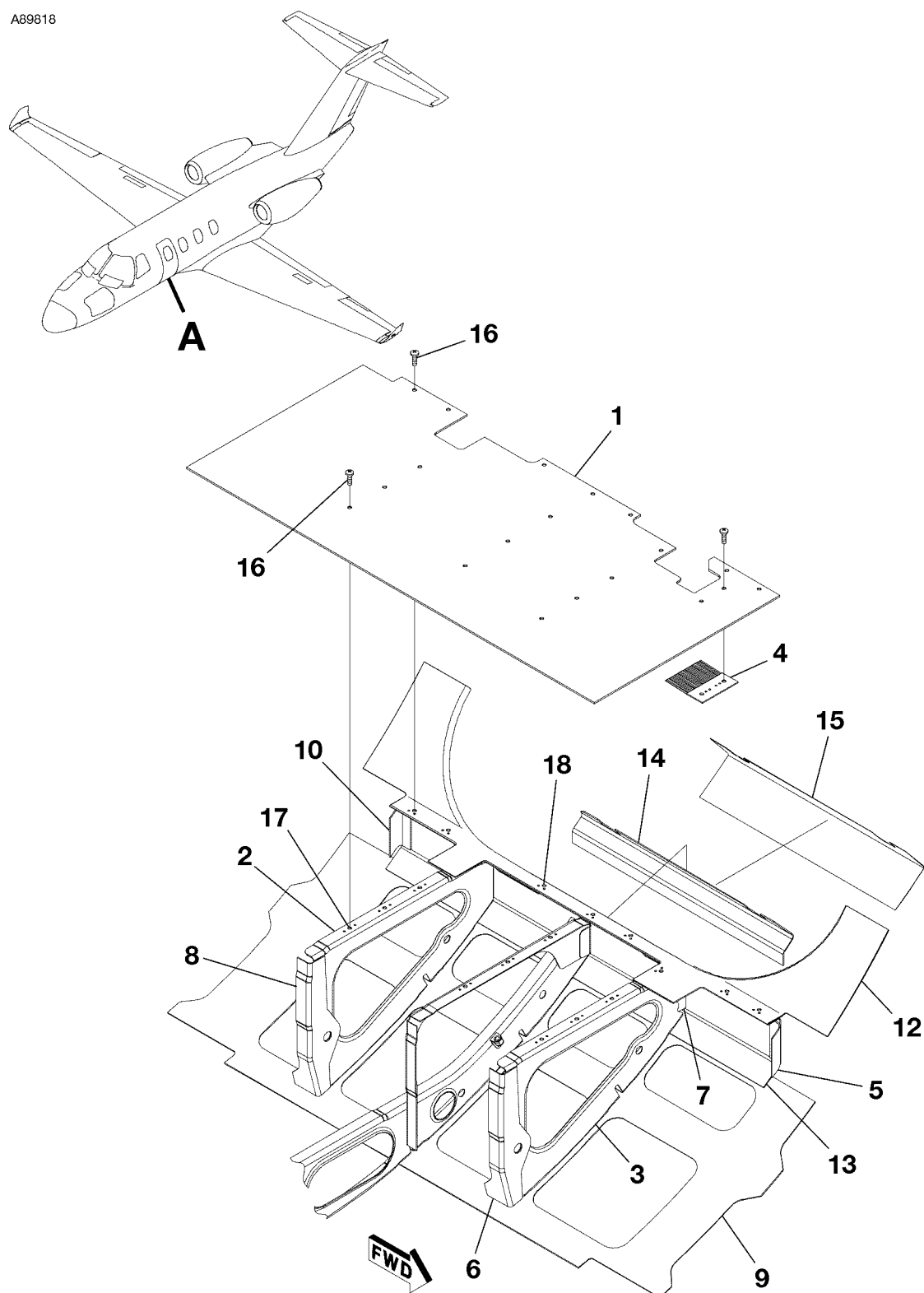
CESSNA®  
**MODEL 525 (SERIALS -0685 AND -0800 AND ON)**  
 ILLUSTRATED PARTS CATALOG

FIG ITEM	PART NUMBER	NOMENCLATURE	UNITS
			PER ASSY
02			
75	6311124-64	. FLOORBOARD SUPPORT . . . . .	01
76	6311124-30	. CLIP-RH . . . . .	01
77	6311124-76	. FLOOR SUPPORT-RH . . . . .	01
78	S1050-2	. GROMMET-BKI . . . . .	AR
79	6311124-71	. FLOOR SUPPORT . . . . .	01
80	6311124-11	. FLOORBOARD CLIP . . . . .	10
81	6311124-12	. FLOORBOARD CLIP . . . . .	09
82	6311124-81	. DOUBLER . . . . .	01
83	6311124-73	. FLOOR SUPPORT . . . . .	01
84		. CLOSEOUT COVER-RH REFER TO 53-21-00 FIGURE 01 . . . . .	RF
85	6311124-68	. FLOORBOARD SUPPORT . . . . .	02
86	6311124-103	. FLOORBOARD SUPPORT . . . . .	01
87	6311124-2	. FLOORBOARD SUPPORT-RH . . . . .	07
88	6311124-42	. FLOORBOARD SUPPORT-RH . . . . .	01
89	6311124-66	. FLOORBOARD SUPPORT . . . . .	05
90	6311005-19	. HAT SECTION ASSY . . . . .	02
- 91	6311005-20	. . CLIP . . . . .	01
- 92	MS21061-08	. . NUTPLATE . . . . .	02
93	6311124-54	. SUPPORT-RH AFT . . . . .	01
94	6311124-56	. CLIP-RH . . . . .	01
95	6311124-52	. CLIP-RH . . . . .	01
96	6311124-78	. FLOORBOARD SUPPORT-RH . . . . .	01
97	6311124-102	. FLOORBOARD SUPPORT-RH INBD . . . . .	01
98	6311124-100	. FLOORBOARD SUPPORT-RH OUTBD . . . . .	01
99		. FLOORBOARD ASSY-RH REFER TO 53-21-00 FIGURE 01 . . . . .	RF
100		. FLOORBOARD PANEL-RH REFER TO 53-21-00 FIGURE 01 . . . . .	RF
101	6311124-9	. DOUBLER-RH . . . . .	03
102	S3528-5D	. ANCHOR ASSY . . . . .	20
103	S4132-1	. ANCHOR . . . . .	38
104	MS21075L3N	. NUTPLATE . . . . .	21
105	MS21069L08	. NUTPLATE . . . . .	02

- ITEM NOT ILLUSTRATED

CESSNA®  
MODEL 525 (SERIALS -0685 AND -0800 AND ON)  
ILLUSTRATED PARTS CATALOG

A89818



**DETAIL A**

CABIN DOOR THRESHOLD  
FIGURE 03 (SHEET 1)

6310T1168  
A6311T1185

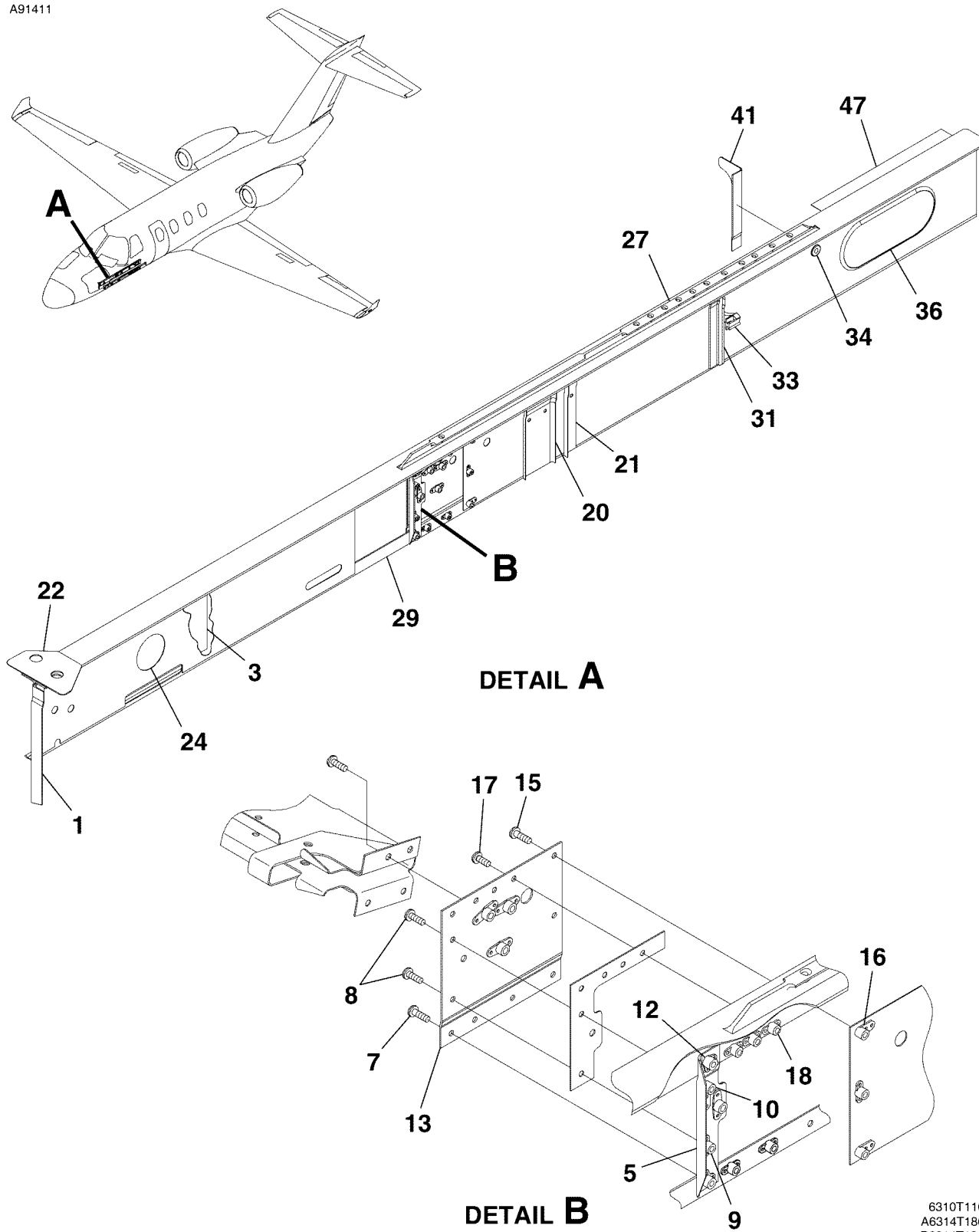
CESSNA®  
**MODEL 525 (SERIALS -0685 AND -0800 AND ON)**  
 ILLUSTRATED PARTS CATALOG

FIG ITEM	PART NUMBER	NOMENCLATURE	UNITS
			PER ASSY
03			
-		CABIN DOOR THRESHOLD	RF
1		. FLOORBOARD-REFER TO 53-21-00 FIGURE 01 . . . . .	RF
2	6311167-4	. THRESHOLD RIB . . . . .	01
3	6311167-3	. THRESHOLD RIB . . . . .	01
4	6311167-5	. BRUSH SEAL . . . . .	01
5	5511239-9	. ANGLE . . . . .	01
6	6311091-14	. ANGLE . . . . .	01
7	5511239-35	. ANGLE . . . . .	02
8	6311091-15	. ANGLE . . . . .	01
9	6311091-7	. DOUBLER-SKIN . . . . .	01
10	5511239-10	. ANGLE . . . . .	01
- 11	6311170-4	. THRESHOLD ASSY. . . . .	01
12		. THRESHOLD-REFER TO 52-10-00 FIGURE 03 . . . . .	RF
13	6311091-21	. CHANNEL . . . . .	01
14	6311091-5	. ZEE . . . . .	01
15	6311091-10	. ENTRY SHIELD . . . . .	01
16	MS27039-1-09	. SCREW . . . . .	17
17	MS21047L3	. NUTPLATE . . . . .	09
18	MS21073L3	. NUTPLATE . . . . .	08

- ITEM NOT ILLUSTRATED

CESSNA®  
MODEL 525 (SERIALS -0685 AND -0800 AND ON)  
ILLUSTRATED PARTS CATALOG

A91411



SEAT TRACK STRUCTURE  
FIGURE 04 (SHEET 1)

6310T1168  
A6314T1864  
B6314T1864

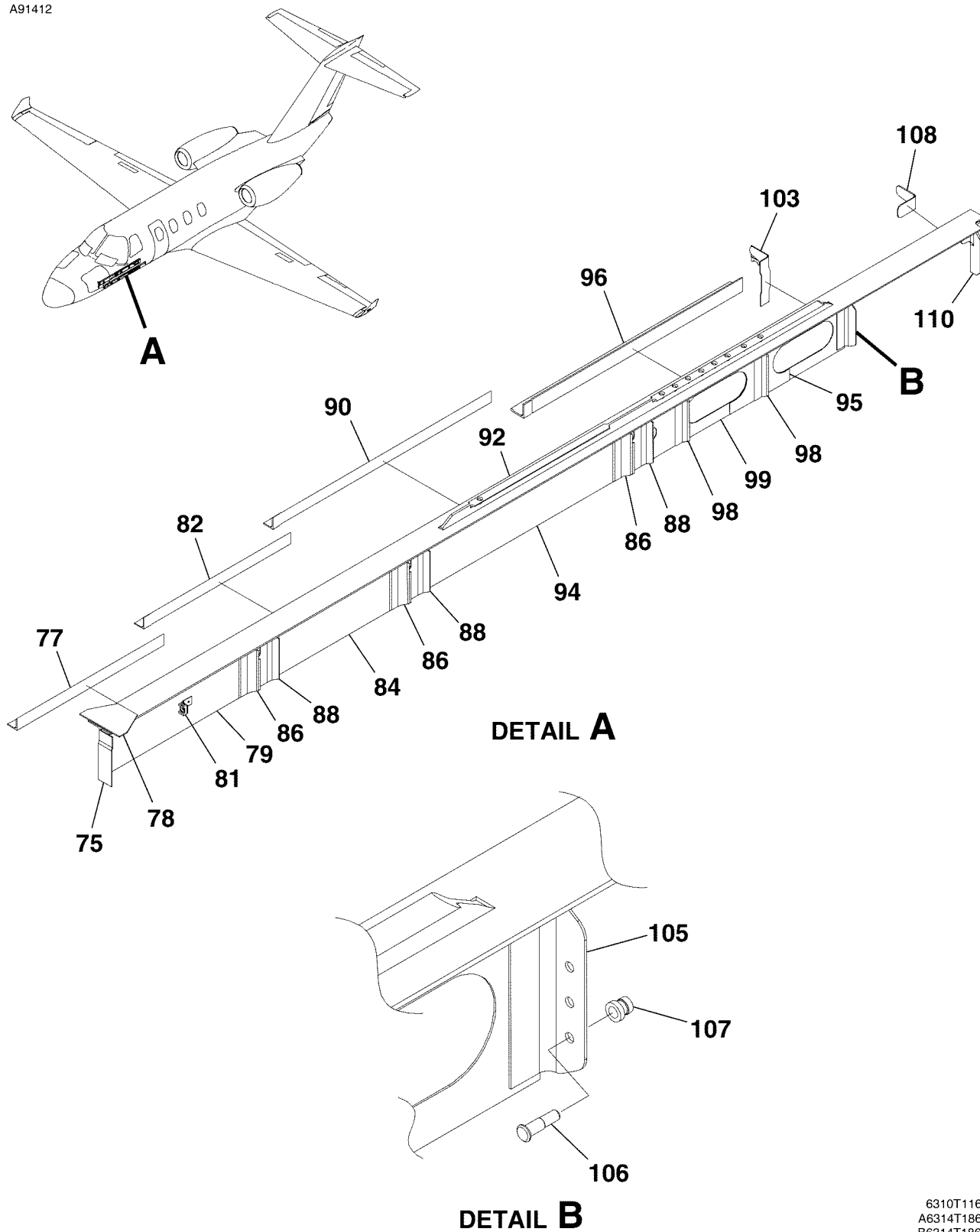
CESSNA®  
**MODEL 525 (SERIALS -0685 AND -0800 AND ON)**  
 ILLUSTRATED PARTS CATALOG

FIG ITEM	PART NUMBER	NOMENCLATURE	UNITS	
			PER	ASSY
04		SEAT TRACK STRUCTURE		RF
- 1	5511066-5	. SUPPORT-LH INBOARD . . . . .		01
- 2	5511066-6	. SUPPORT-RH INBOARD . . . . .		01
- 3	6511065-63	. DOUBLER-LH INBOARD . . . . .		01
- 4	6511065-38	. DOUBLER-RH INBOARD . . . . .		01
5	6361008-13	. SUPPORT ANGLE ASSY-LH . . . . .		01
- 6	6511065-54	. SUPPORT ANGLE ASSY-RH . . . . .		01
		ATTACHING PARTS		
7	MS27039-0808	. SCREW . . . . .		02
8	MS27039-0807	. SCREW . . . . .		02
		—*—		
9	MS21047L3	. NUTPLATE . . . . .		01
10	MS21051-08	. NUTPLATE . . . . .		01
- 11	MS21070-08	. NUTPLATE . . . . .		01
- 11A	NAS697C08	. NUTPLATE ALT FOR MS21070-08 . . . . .		01 R
12	MS21073-08	. NUTPLATE . . . . .		02 R
13	6361008-9	. SUPPORT PLATE ASSY-LH . . . . .		01 R
- 14	6361008-10	. SUPPORT PLATE ASSY-RH . . . . .		01 R
		ATTACHING PARTS		
15	MS27039-0808	. SCREW . . . . .		02 R
16	MS21071-08	. NUTPLATE . . . . .		02 R
17	MS27039-0806	. SCREW . . . . .		06 R
18	MS21070-08	. NUTPLATE . . . . .		06 R
		—*—		
- 19	MS21047L3	. NUTPLATE . . . . .		03 R
20	6511066-12	. CHANNEL-LH . . . . .		01 R
21	6511065-41	. SUPPORT-LH INBOARD . . . . .		01 R
22	6311410-7	. GUSSET-LH FSO 6311410-16 . . . . .	0800 0893	NP R
- 22A	6311410-16	. GUSSET-LH . . . . .	0894 & ON	01 R
- 23	5511060-5	. GUSSET-RH . . . . .		01 R
24	6311410-8	. WEB-LH FWD . . . . .		01 R
- 25	6511065-6	. WEB-RH FWD . . . . .		01 R
- 26	MS21059L3	. NUTPLATE-RH . . . . .		08 R
- 26A	NAS1791A3-1	. NUTPLATE-RH ALT FOR MS21059L3 . . . . .		08 R
27	6311387-1	. SEAT TRACK-LH . . . . .		01 R
- 28	6311387-2	. SEAT TRACK-RH . . . . .		01 R
29	6311085-5	. ANGLE-LH . . . . .		01 R
- 30	6311085-6	. ANGLE-RH . . . . .		01 R
31	6511066-9	. STIFFENER-LH . . . . .		01 R
- 32	6511066-10	. STIFFENER-RH . . . . .		01 R
33	S4132-1	. ANCHOR-LH . . . . .		01 R
34	MS35489-6	. GROMMET-LH . . . . .		01 R
- 35	MS35489-145	. GROMMET-RH . . . . .		01 R
36	6311085-9	. WEB-LH . . . . .		01 R
- 37	6311085-22	. WEB-RH . . . . .		01 R
- 38	6391112-2	. STIFFENER . . . . .		01 R
- 39	6391112-1	. DOUBLER . . . . .		01 R
- 40	6311085-20	. DOUBLER-RH . . . . .		01
41	6311085-7	. CLIP-LH . . . . .		01
- 42	6311085-8	. CLIP-RH . . . . .		01
- 43	6311085-14	. SEAT TRACK DOUBLER-RH . . . . .		01
- 44	6311085-12	. SUPPORT DOUBLER-RH . . . . .		01
		ATTACHING PARTS		
- 45	HL10VBJ6-6	. PIN-HI-LOK . . . . . V73197		02
- 46	HL70-6	. COLLAR-HI-LOK . . . . . V73197		02
- 46A	S3191-3	. NUT ALT FOR HL70-6 . . . . .		02 R
		—*—		
47	6311085-11	. PLATE . . . . .		02 R
- 48	MS21075L4E	. NUTPLATE-RH . . . . .		02 R

- ITEM NOT ILLUSTRATED

CESSNA®  
**MODEL 525 (SERIALS -0685 AND -0800 AND ON)**  
 ILLUSTRATED PARTS CATALOG

A91412



**SEAT TRACK STRUCTURE**  
**FIGURE 04 (SHEET 2)**

6310T1168  
 A6314T1864  
 B6314T1864

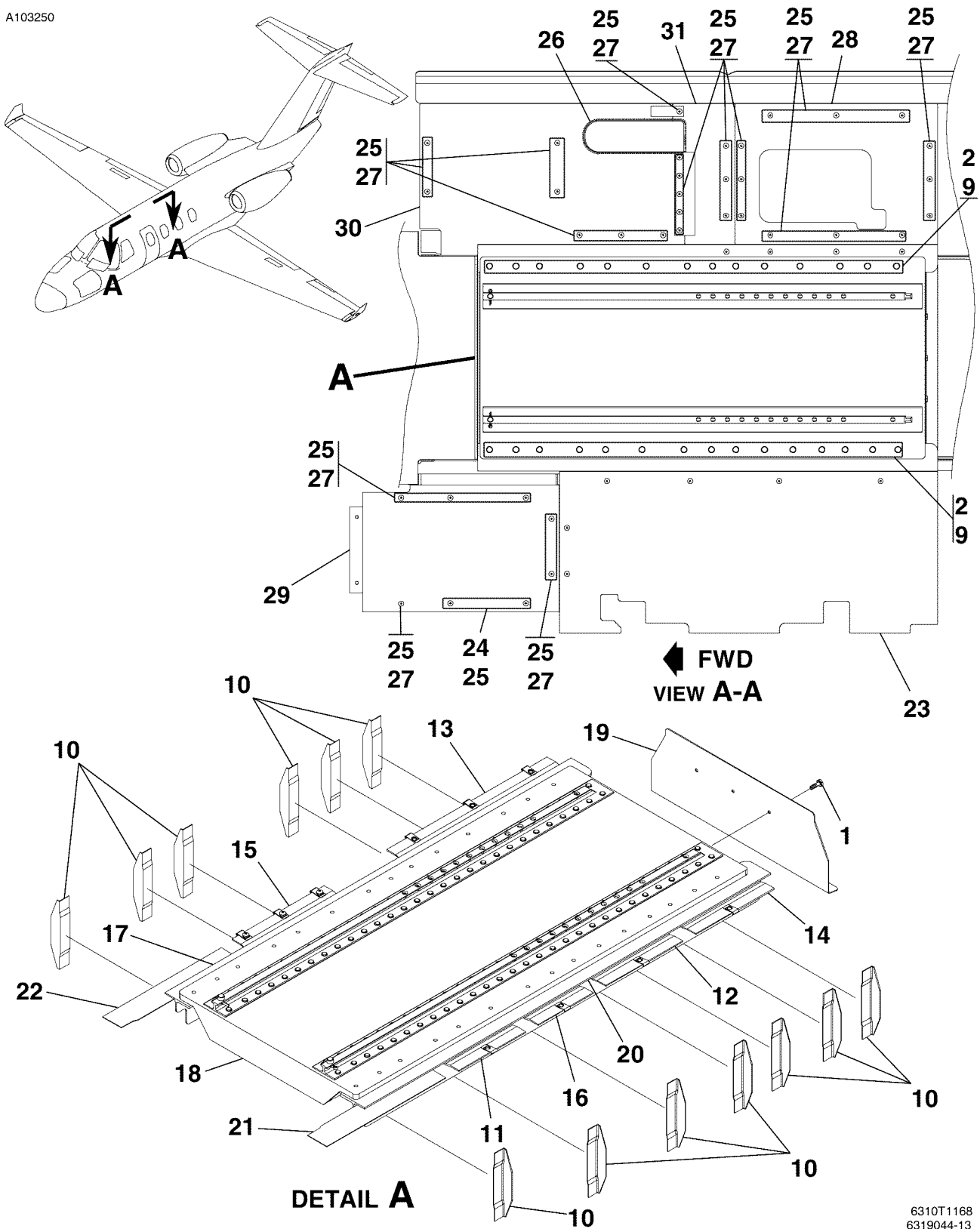
CESSNA®  
**MODEL 525 (SERIALS -0685 AND -0800 AND ON)**  
 ILLUSTRATED PARTS CATALOG

FIG ITEM	PART NUMBER	NOMENCLATURE	UNITS
			PER ASSY
		1 2 3 4 5 6 7	
04			
75	5511061-23	. ANGLE-LH . . . . .	01
- 76	5511061-22	. ANGLE-RH . . . . .	01
77	5511061-20	. ANGLE . . . . .	02
78	5511060-5	. GUSSET . . . . .	02
79	5511061-25	. WEB-LH . . . . .	01
- 80	5511061-42	. WEB-RH . . . . .	01
81	S3528-5D	. ANCHOR ASSY . . . . .	03
82	5511061-31	. ANGLE-LH . . . . .	01
- 83	5511061-30	. ANGLE-RH . . . . .	01
84	5511061-24	. WEB-LH . . . . .	01
- 85	6311086-16	. WEB-RH . . . . .	01
86	5511061-17	. ANGLE-LH . . . . .	03
- 87	5511061-32	. ANGLE-RH . . . . .	03
88	5511061-19	. CHANNEL . . . . .	04
- 89	5511061-18	. CHANNEL-RH . . . . .	04
90	5511061-29	. ANGLE-LH . . . . .	01
- 91	5511061-16	. ANGLE-RH . . . . .	01
92	6311387-3	. SEAT TRACK-LH OUTBOARD . . . . .	01
- 93	6311387-4	. SEAT TRACK-RH OUTBOARD . . . . .	01
94	5511061-21	. WEB . . . . .	02
95	5511061-41	. DOUBLER . . . . .	02
96	5511061-35	. ANGLE-LH . . . . .	01
- 97	5511061-36	. ANGLE-RH . . . . .	01
98	5511060-6	. ANGLE . . . . .	05
99	5511061-45	. WEB-LH . . . . .	01
- 100	5511061-40	. WEB-RH . . . . .	01
- 101	6311086-11	. ANGLE-RH . . . . .	01
- 102	6311086-10	. WEB-RH . . . . .	01
103	6311086-5	. ANGLE-LH . . . . .	01
- 104	6311086-13	. ANGLE-RH . . . . .	01
105	6311086-9	. ANGLE . . . . .	02
		ATTACHING PARTS	
106	HL10VBJ5-5	. PIN-HI-LOK . . . . . V73197	03
107	HL70-5	. COLLAR-HI-LOK . . . . . V73197	03
- 107A	S3191-08	. NUT ALT FOR HL70-5 . . . . .	03 R
		—*—	
108	6311124-12	. FLOORBOARD CLIP-LH . . . . .	01 R
- 109	6311124-11	. FLOORBOARD CLIP-RH . . . . .	01 R
110	6311124-7	. DOUBLER-LH . . . . .	01 R
- 111	6311124-8	. DOUBLER-RH . . . . .	01 R
- 112	6311086-7	. ANGLE-RH . . . . .	01 R
- 113	6311086-8	. ANGLE-RH . . . . .	01 R
		ATTACHING PARTS	
- 114	HL10VBJ5-5	. PIN-HI-LOK . . . . . V73197	03 R
- 115	HL70-5	. COLLAR-HI-LOK . . . . . V73197	03 R
- 115A	S3191-08	. NUT ALT FOR HL70-5 . . . . .	03 R
		—*—	
- 116	MS21075L3E	. NUTPLATE-RH . . . . .	04 R

- ITEM NOT ILLUSTRATED

CESSNA®  
**MODEL 525 (SERIALS -0685 AND -0800 AND ON)**  
 ILLUSTRATED PARTS CATALOG

A103250



**DETAIL A**

OBSERVER'S PLATFORM INSTALLATION  
 FIGURE 05 (SHEET 1)

6310T1168  
 6319044-13



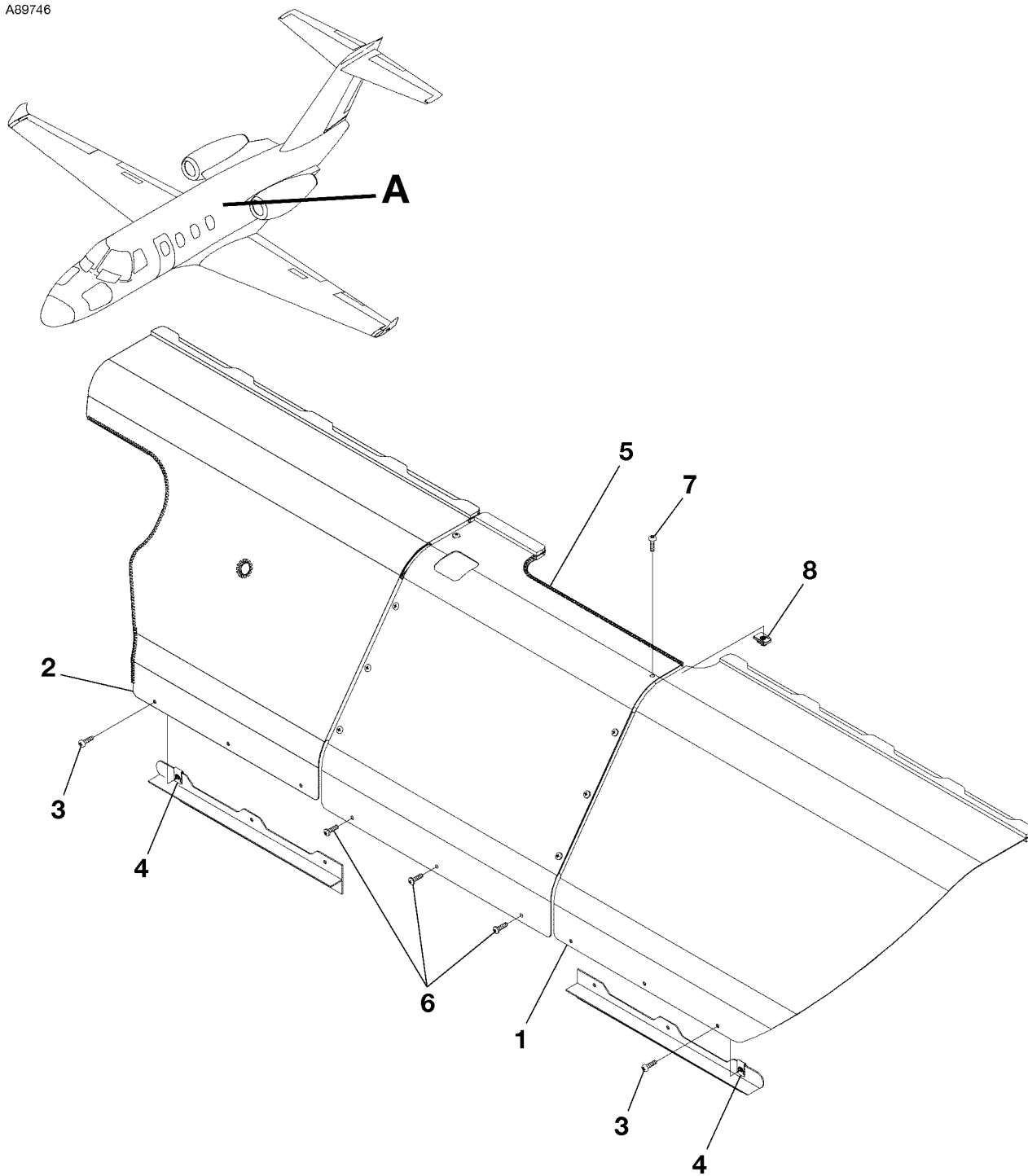
CESSNA®  
**MODEL 525 (SERIALS -0685 AND -0800 AND ON)**  
 ILLUSTRATED PARTS CATALOG

FIG ITEM	PART NUMBER	NOMENCLATURE	UNITS	
			PER	ASSY
05				
-		OBSERVER'S PLATFORM INSTALLATION	0940	& ON RF R
1	AN3-5A	. BOLT		03 R
2	AN3-7A	. BOLT		29 R
- 3	HL10VBJ-5-3	. HI-LOK PIN	V73197	30 R
- 4	HL10VBJ-5-4	. PIN	V73197	22 R
- 5	HL70-5	. COLLAR	V73197	52 R
- 6	MS21059L3	. NUTPLATE		15 R
- 7	MS21061L3	. NUTPLATE		12 R
- 8	MS21073L3	. NUTPLATE		02 R
9	NAS1149F0332P	. WASHER		29 R
10	6311124-98	. STIFFENER		13 R
11	6391044-10	. FLOORBOARD SUPPORT-LH		01 R
12	6391044-11	. FLOORBOARD SUPPORT-LH		01 R
13	6391044-2	. FLOORBOARD SUPPORT-RH		01 R
14	6391044-3	. FLOORBOARD SUPPORT-LH		01 R
15	6391044-4	. FLOORBOARD SUPPORT-RH		01 R
16	6391044-9	. FLOORBOARD SUPPORT-LH		01 R
17	6391046-10	. PLATFORM MOUNT-RH		01 R
18	6391046-2	. PLATFORM ASSY		01 R
19	6391046-7	. CLOSEOUT PANEL-AFT		01 R
20	6391046-9	. PLATFORM MOUNT-LH		01 R
21	6391043-3	. PLATE-LH		01 R
22	6391043-3	. PLATE-RH		01 R
23	6391045-2	. FLOORBOARD		01 R
24	MS21047L3	. NUTPLATE		02 R
25	MS27039-1-07	. SCREW		40 R
26	S1050-2	. GROMMET		AR R
27	S1477-3	. NUT		38 R
28	6391044-12	. FLOORBOARD PANEL		01 R
29	6391044-14	. FLOORBOARD PANEL ASSY		01 R
30	6391044-5	. FLOORBOARD ASSY		01 R
31	6391044-7	. FLOORBOARD ASSY		01 R

- ITEM NOT ILLUSTRATED

CESSNA®  
MODEL 525 (SERIALS -0685 AND -0800 AND ON)  
ILLUSTRATED PARTS CATALOG

A89746



**DETAIL A**

AFT CABIN COVERS  
FIGURE 01 (SHEET 1)

6310T1168  
A6319T1556

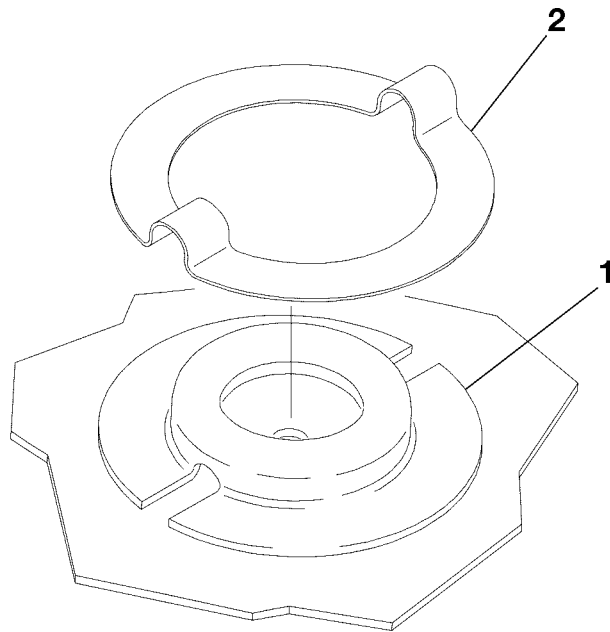
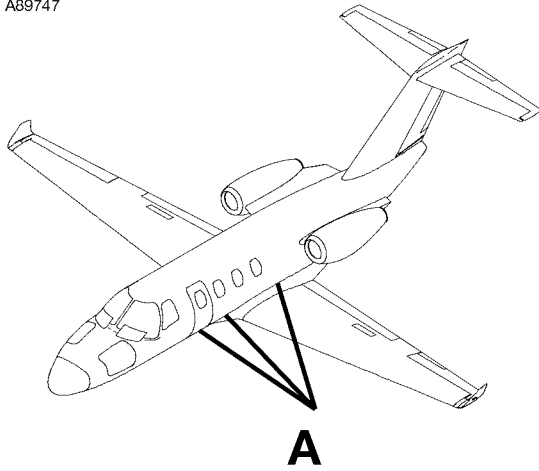
CESSNA®  
**MODEL 525 (SERIALS -0685 AND -0800 AND ON)**  
 ILLUSTRATED PARTS CATALOG

FIG ITEM	PART NUMBER	1 2 3 4 5 6 7	NOMENCLATURE	UNITS PER ASSY
01				
-			AFT CABIN COVERS	RF
1	6311117-31		. COVER ASSY-LH . . . . .	01
2	6311117-50		. COVER ASSY-RH . . . . .	01
			ATTACHING PARTS	
3	MS27039-0804		. SCREW . . . . .	03
4	S1477-08		. NUT . . . . .	03
			—*—	
5	6311117-41		. COVER ASSY-CTR . . . . .	01
			ATTACHING PARTS	
6	MS27039-0809		. SCREW . . . . .	03
7	MS27039-0804		. SCREW . . . . .	08
8	S1477-08		. NUT . . . . .	08
			—*—	

- ITEM NOT ILLUSTRATED

CESSNA®  
**MODEL 525 (SERIALS -0685 AND -0800 AND ON)**  
ILLUSTRATED PARTS CATALOG

A89747



**DETAIL A**  
Typical

DRAINS - FUSELAGE MOISTURE  
FIGURE 01 (SHEET 1)

6310T1168  
A6314T1097

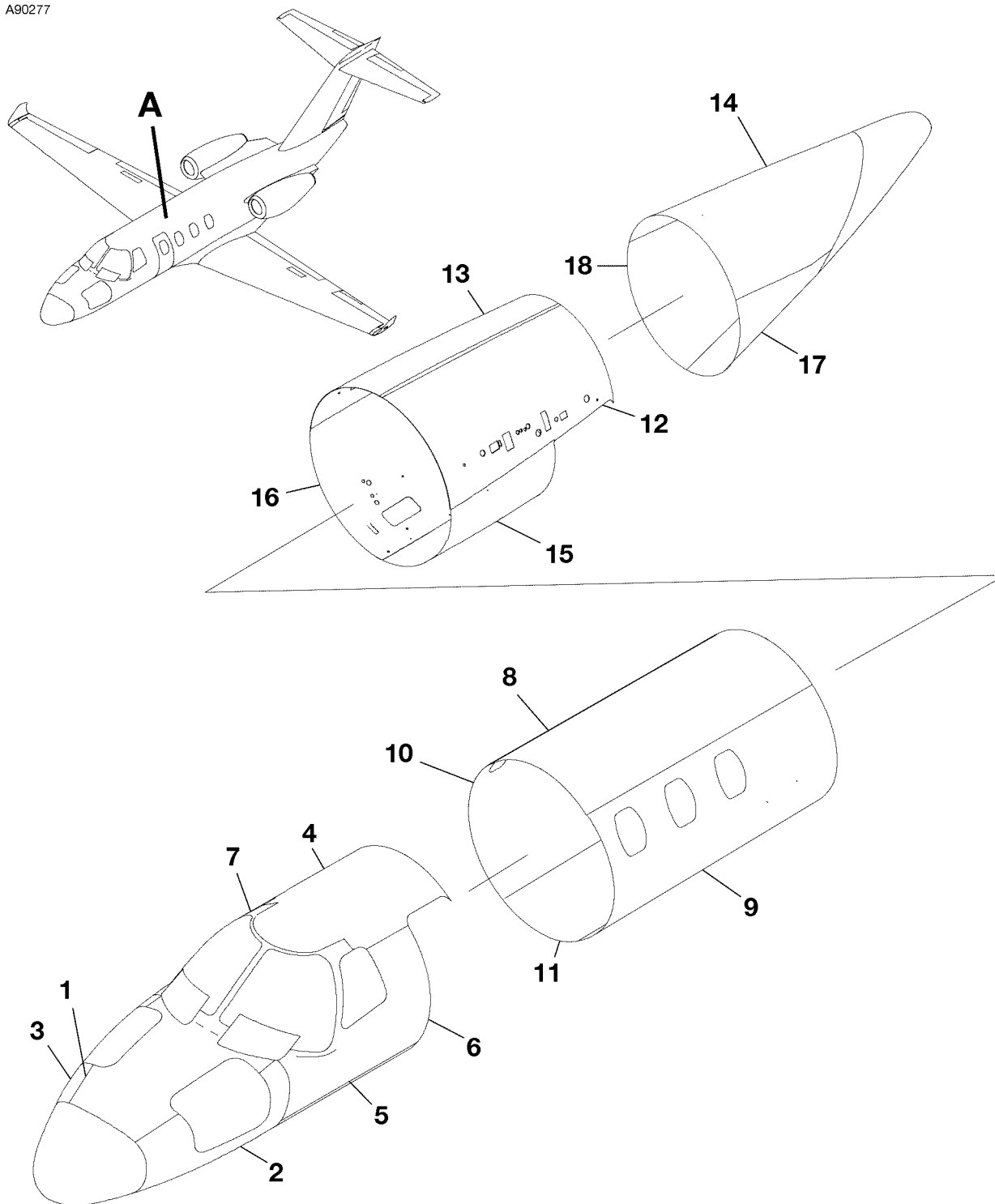
CESSNA®  
**MODEL 525 (SERIALS -0685 AND -0800 AND ON)**  
 ILLUSTRATED PARTS CATALOG

FIG ITEM	PART NUMBER	1 2 3 4 5 6 7	NOMENCLATURE	UNITS PER ASSY
01				
-			DRAINS - FUSELAGE MOISTURE	RF
1	CM3575-4		. SEAL .....	03
2	5111339-3		. RETAINER .....	03

- ITEM NOT ILLUSTRATED

CESSNA®  
MODEL 525 (SERIALS -0685 AND -0800 AND ON)  
ILLUSTRATED PARTS CATALOG

A90277



**DETAIL A**

FUSELAGE SKINS  
FIGURE 01 (SHEET 1)

6310T1168  
A6310T1127

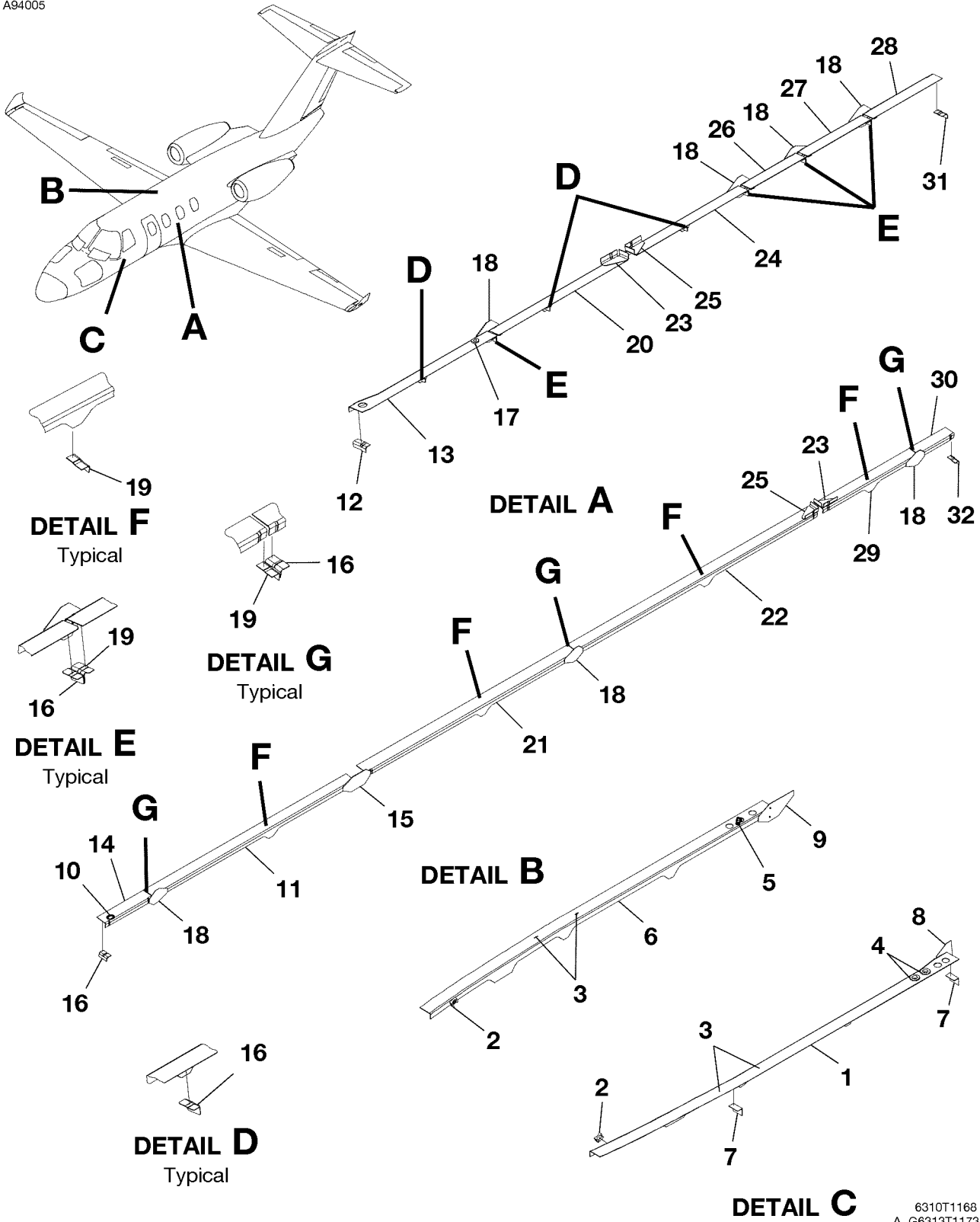
CESSNA®  
**MODEL 525 (SERIALS -0685 AND -0800 AND ON)**  
 ILLUSTRATED PARTS CATALOG

FIG ITEM	PART NUMBER	NOMENCLATURE	UNITS PER ASSY
01			
-		FUSELAGE SKINS	RF
1	6313010-13	. SKIN-UPR NOSE . . . . .	01
2	6313010-17	. SKIN-LH NOSE . . . . .	01
3	6313010-18	. SKIN-RH NOSE . . . . .	01
4	6311010-21	. SKIN-UPR COCKPIT . . . . .	01
5	6311010-36	. SKIN-LWR COCKPIT . . . . .	01
6	6311010-27	. SKIN BOND ASSY-LH COCKPIT . . . . .	01
7	6311010-26	. SKIN BOND ASSY-RH COCKPIT . . . . .	01
8	6311128-57	. SKIN ASSY-UPR . . . . .	01
9	6311128-73	. SKIN BOND ASSY-LH CABIN . . . . .	01
10	6311128-72	. SKIN BOND ASSY-RH CABIN . . . . .	01
11	6311412-1	. SKIN BOND ASSY-LWR CABIN . . . . .	01
12	6312015-1	. SKIN-LH UPR FWD . . . . .	01
13	6312015-2	. SKIN-RH UPR FWD . . . . .	01
14	6312011-7	. SKIN BOND ASSY . . . . .	01
15	6312010-25	. SKIN-LH LWR FWD . . . . .	01
16	6312015-7	. SKIN-RH LWR FWD . . . . .	01
17	6312220-5	. SKIN-LH LWR AFT . . . . .	01
18	6312220-6	. SKIN-RH LWR AFT . . . . .	01

- ITEM NOT ILLUSTRATED

CESSNA®  
**MODEL 525 (SERIALS -0685 AND -0800 AND ON)**  
 ILLUSTRATED PARTS CATALOG

A94005



WINDOW LONGERON INSTALLATION  
 FIGURE 01 (SHEET 1)

6310T1168  
 A-G6313T1173



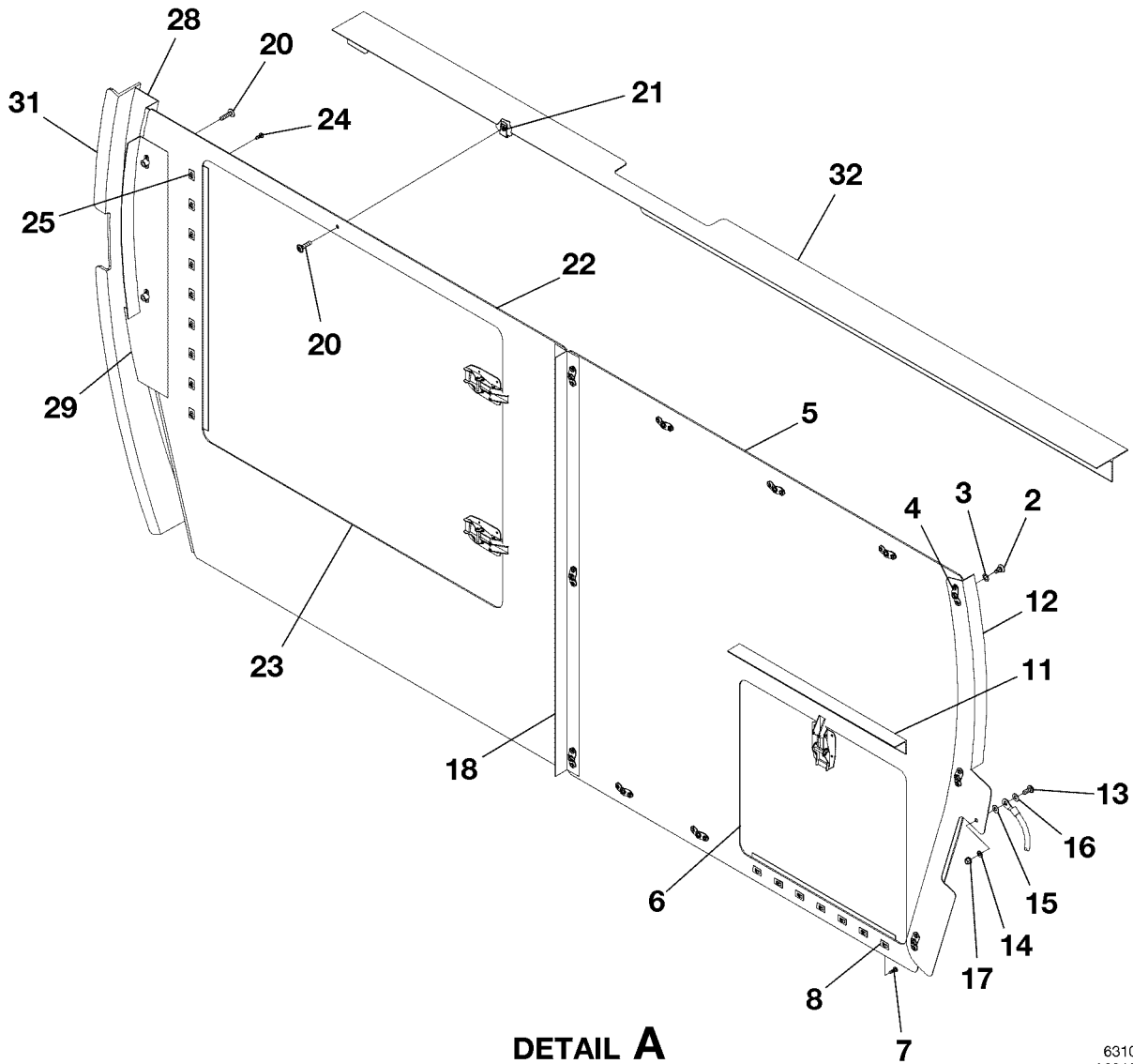
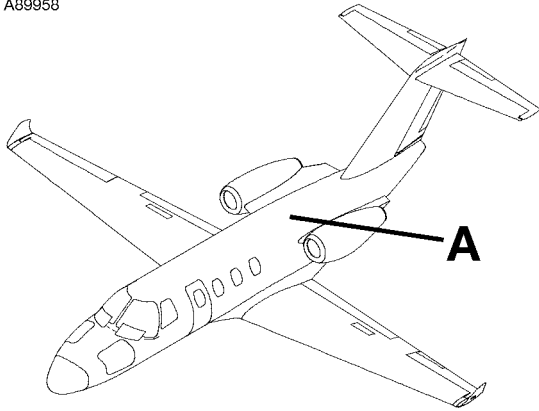
CESSNA®  
**MODEL 525 (SERIALS -0685 AND -0800 AND ON)**  
 ILLUSTRATED PARTS CATALOG

FIG ITEM	PART NUMBER	NOMENCLATURE	UNITS	
			PER	ASSY
01		WINDOW LONGERON INSTALLATION		RF
-				
1	6311120-21	. DOUBLER-LH FWD . . . . .	0800	0908 01
- 1A	6311140-7	. DOUBLER-LH FWD WINDOW LONGERON . . . . .	0909	& ON 01
2	S1741-5	. ANCHOR-LH . . . . .		02
3	MS21075L06	. NUTPLATE . . . . .		04
4	MS35489-17	. GROMMET-LH . . . . .		02
5	S4132-1	. ANCHOR . . . . .		01
6	6511257-6	. STRINGER-RH FWD . . . . .		01
7	5511139-1	. ANGLE . . . . .		02
8	6311120-20	. DOUBLER-LH MIDDLE . . . . .		01
9	4711097-32	. GUSSET ASSY-RH MIDDLE . . . . .		01
10	S1050-1-2.75	. GROMMET-RH . . . . .		01
11	6311120-14	. ANGLE-RH MIDDLE . . . . .		01
12	6311120-25	. ANGLE-LH MIDDLE . . . . .		01
13	6311120-31	. ANGLE-LH MIDDLE . . . . .		01
14	6311120-30	. ANGLE-RH MIDDLE . . . . .		01
15	6311120-18	. DOUBLER-RH MIDDLE . . . . .		01
16	6311120-16	. ANGLE FSO 6311141-13 . . . . .	0001	0989 NP R
- 16A	6311141-13	. CLIP-WINDOW LONGERON . . . . .	0990	& ON 08 R
17	MS35489-11	. GROMMET-LH . . . . .		01
18	6311120-17	. DOUBLER . . . . .		07
19	6311120-15	. ANGLE FSO 6311141-14 . . . . .	0001	0989 NP R
- 19A	6311141-14	. CLIP-WINDOW LONGERON . . . . .	0990	& ON 04 R
20	6311120-5	. ANGLE-LH . . . . .		01
21	6311120-4	. ANGLE-RH . . . . .		01
22	6311120-6	. ANGLE-RH . . . . .		01
23	6311120-23	. CLIP . . . . .		02
24	6311120-7	. ANGLE-LH AFT . . . . .		01
25	6311120-22	. CLIP-AFT . . . . .		02
26	6311120-9	. ANGLE-LH AFT . . . . .		01
27	6311120-11	. ANGLE-LH AFT . . . . .		01
28	6311120-27	. ANGLE-LH AFT . . . . .		01
29	6311120-8	. ANGLE-RH AFT . . . . .		01
30	6311120-29	. ANGLE-RH AFT . . . . .		01
31	6311120-28	. ANGLE-LH AFT FSO 6311141-13 . . . . .	0001	0989 NP R
- 31A	6311141-13	. CLIP-WINDOW LONGERON . . . . .	0990	& ON 01 R
32	6311120-24	. ANGLE-RH AFT FSO 6311141-14 . . . . .	0001	0989 NP R
- 32A	6311141-14	. CLIP-WINDOW LONGERON . . . . .	0990	& ON 01 R

- ITEM NOT ILLUSTRATED

CESSNA®  
MODEL 525 (SERIALS -0685 AND -0800 AND ON)  
ILLUSTRATED PARTS CATALOG

A89958



**DETAIL A**

AFT BAGGAGE COMPARTMENT  
FIGURE 01 (SHEET 1)

6310T1168  
A6312T1192

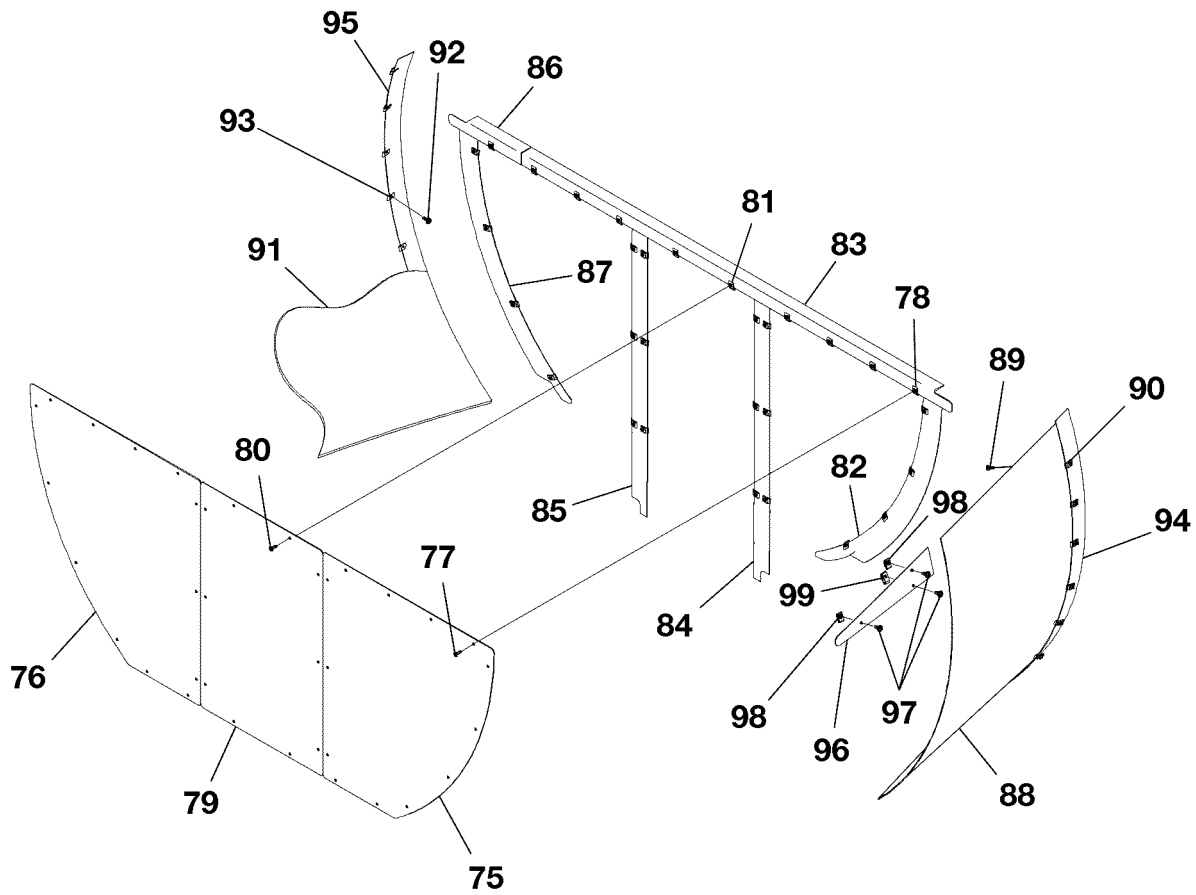
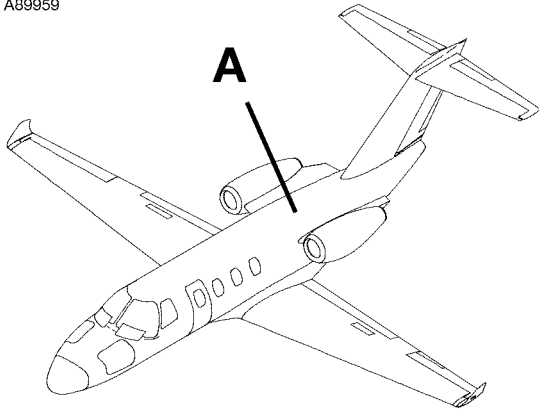
CESSNA®  
**MODEL 525 (SERIALS -0685 AND -0800 AND ON)**  
 ILLUSTRATED PARTS CATALOG

FIG ITEM	PART NUMBER	NOMENCLATURE	UNITS
			PER ASSY
		1 2 3 4 5 6 7	
01		AFT BAGGAGE COMPARTMENT	RF
- 1	6312031-67	. PANEL ASSY-LH FWD WALL . . . . .	01
		. ATTACHING PARTS	
2	S1115-32	. STUD . . . . .	11
3	S1115-9	. RING . . . . .	11
4	S1115-19	. RECEPTACLE . . . . .	11
		—*—	
5	6312031-69	. . . . . PANEL . . . . .	01
6	6312031-47	. . . . . DOOR ASSY . . . . .	01
		. ATTACHING PARTS	
7	S1021Z4-6C	. . . . . SCREW . . . . .	07
8	S3230-1	. . . . . NUT . . . . .	07
		—*—	
- 9	S1188-3	. . . . . LATCH ASSY . . . . .	01
- 10	6312031-43	. . . . . HINGE ASSY . . . . .	01
11	6312031-41	. . . . . STIFFENER . . . . .	01
12	6312031-55	. . . . . CLIP . . . . .	01
		. ATTACHING PARTS	
13	MS35206-243	. . . . . SCREW . . . . .	01
14	MS35338-42	. . . . . LOCK WASHER . . . . .	01
15	NAS1149FN816P	. . . . . WASHER . . . . .	01
16	NAS1149DN816K	. . . . . WASHER . . . . .	01
17	MS21042L08	. . . . . NUT . . . . .	01
		—*—	
18	6312031-27	. . . . . STIFFENER . . . . .	01
- 19	6312031-66	. PANEL ASSY-RH FWD WALL . . . . .	01
		. ATTACHING PARTS	
20	AN525-8R8	. . . . . SCREW . . . . .	11
21	S1477-08	. . . . . NUT . . . . .	09
		—*—	
22	6312031-68	. . . . . PANEL . . . . .	01
23	6312031-70	. . . . . DOOR ASSY . . . . .	01
		. ATTACHING PARTS	
24	S1021Z4-6C	. . . . . SCREW . . . . .	09
25	S3230-1	. . . . . NUT . . . . .	09
		—*—	
- 26	S1188-3	. . . . . LATCH ASSY . . . . .	02
- 27	6312031-72	. . . . . HINGE ASSY . . . . .	01
28	6312031-31	. . . . . CLOSEOUT . . . . .	01
29	6312031-30	. . . . . CLOSEOUT ASSY . . . . .	01
- 30	MS21069-08	. . . . . NUTPLATE . . . . .	02
31	6312033-4	. . . . . MOUNTING BRACKET-FWD . . . . .	01
32		. AFT BAGGAGE COMPARTMENT CEILING-REFER TO 53-30-00 FIGURE 03 . . . . .	RF

- ITEM NOT ILLUSTRATED

CESSNA®  
MODEL 525 (SERIALS -0685 AND -0800 AND ON)  
ILLUSTRATED PARTS CATALOG

A89959



**DETAIL A**

AFT BAGGAGE COMPARTMENT  
FIGURE 01 (SHEET 2)

6310T1168  
A6312T1193

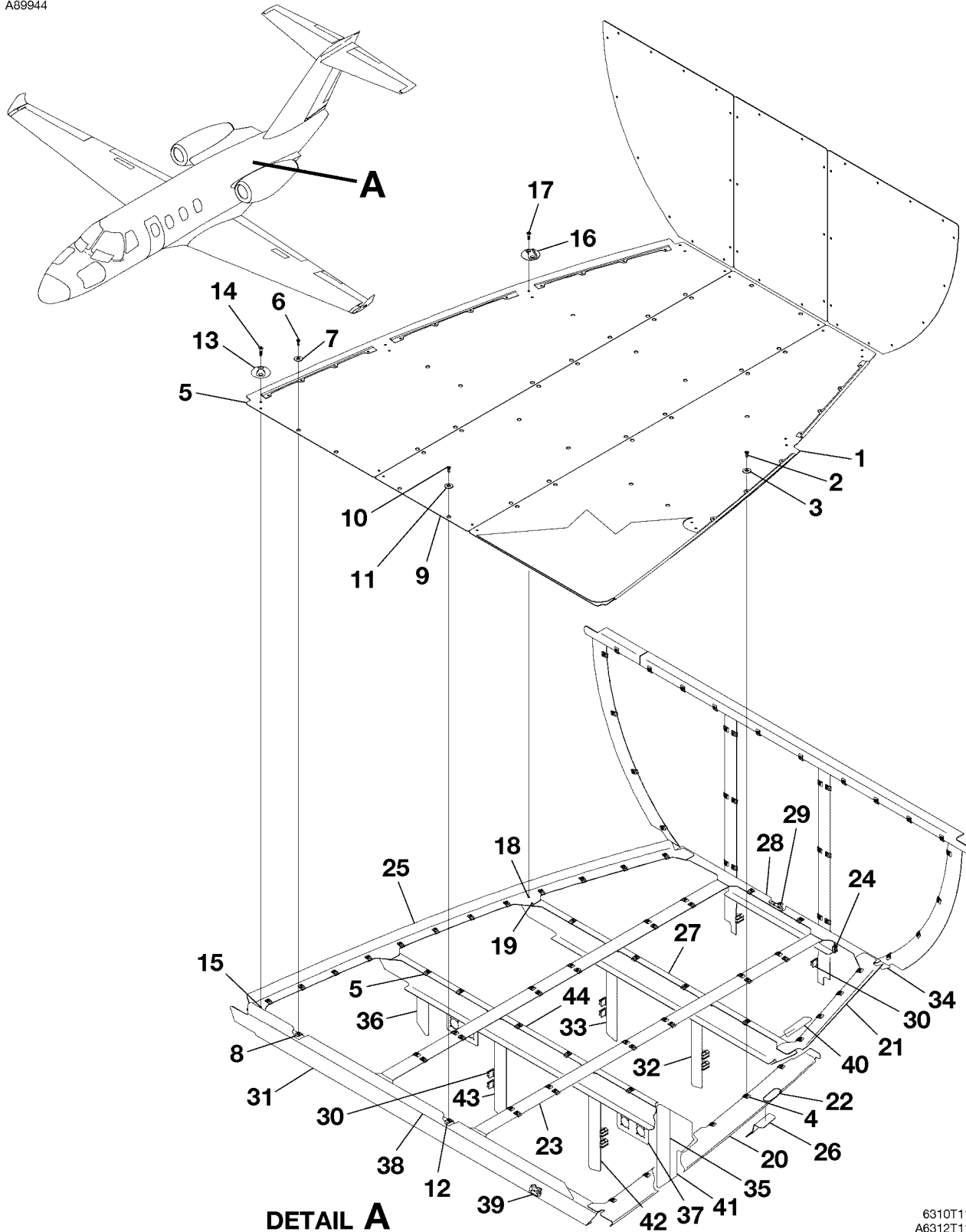
CESSNA®  
**MODEL 525 (SERIALS -0685 AND -0800 AND ON)**  
 ILLUSTRATED PARTS CATALOG

FIG ITEM	PART NUMBER	NOMENCLATURE	UNITS
			PER ASSY
01			
75	6312031-3	. PANEL WALL-LH AFT . . . . .	01
76	6312031-4	. PANEL WALL-RH AFT . . . . .	01
		ATTACHING PARTS	
77	AN525-8R8	. SCREW . . . . .	13
78	S1477-08	. NUT . . . . .	13
		—*—	
79	6312031-9	. PANEL WALL-CTR AFT . . . . .	01
		ATTACHING PARTS	
80	AN525-8R8	. SCREW . . . . .	10
81	S1477-08	. NUT . . . . .	10
		—*—	
82	6312031-7	. SUPPORT-LH OUTBD . . . . .	01
83	6312031-10	. STIFFENER-AFT WALL . . . . .	01
84	6312031-5	. SUPPORT-LH INBD . . . . .	01
85	6312031-6	. SUPPORT-RH INBD . . . . .	01
86	6312031-32	. STIFFENER-AFT WALL . . . . .	01
87	6312031-8	. SUPPORT-RH OUTBD . . . . .	01
88	6312033-3	. PANEL SIDEWALL-LH . . . . .	01
		ATTACHING PARTS	
89	AN525-8R8	. SCREW . . . . .	22
90	S1477-08	. NUT . . . . .	22
		—*—	
91	6312033-2	. PANEL SIDEWALL-RH . . . . .	01
		ATTACHING PARTS	
92	AN525-8R8	. SCREW . . . . .	31
93	S1477-08	. NUT . . . . .	31
		—*—	
94	6312033-5	. BRACKET-LH . . . . .	01
95	6312033-6	. BRACKET-RH . . . . .	01
96	6312033-7	. SIDEWALL . . . . .	01
		ATTACHING PARTS	
97	AN525-8R8	. SCREW . . . . .	03
98	S1477-08	. NUT . . . . .	02
99	S1477-8A	. NUT . . . . .	01
- 100	S1477-8C	. NUT-ALT FOR S1477-8A . . . . .	01
		—*—	

- ITEM NOT ILLUSTRATED

CESSNA®  
MODEL 525 (SERIALS -0685 AND -0800 AND ON)  
ILLUSTRATED PARTS CATALOG

A89944



**DETAIL A**

AFT BAGGAGE COMPARTMENT FLOOR  
FIGURE 02 (SHEET 1)

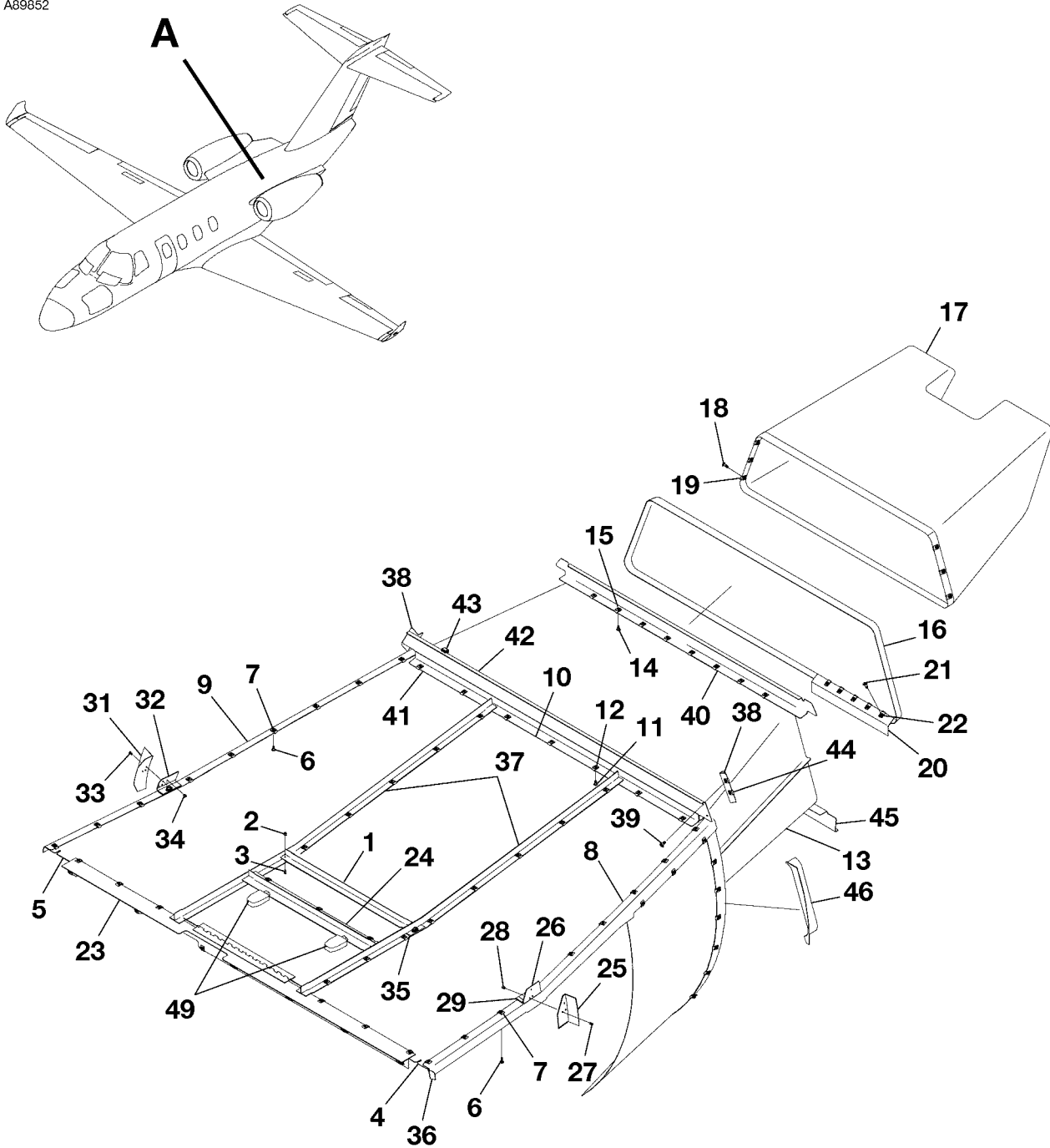
6310T1168  
A6312T1159

CESSNA®  
**MODEL 525 (SERIALS -0685 AND -0800 AND ON)**  
 ILLUSTRATED PARTS CATALOG

FIG ITEM	PART NUMBER	NOMENCLATURE	UNITS
			PER ASSY
		1 2 3 4 5 6 7	
02		AFT BAGGAGE COMPARTMENT FLOOR	RF
-		. FLOOR PANEL-LH . . . . .	01
1	6312030-4	. ATTACHING PARTS	
2	MS24694-S5	. SCREW . . . . .	21
3	S3420-1	. WASHER . . . . .	21
4	S1477-08	. NUT . . . . .	21
		—*—	
5	6312030-2	. FLOOR PANEL-RH . . . . .	01
		. ATTACHING PARTS	
6	MS24694-S5	. SCREW . . . . .	23
7	S3420-1	. WASHER . . . . .	23
8	S1477-08	. NUT . . . . .	23
		—*—	
9	6312030-46	. FLOOR PANEL-CTR . . . . .	01
		. ATTACHING PARTS	
10	MS24694-S5	. SCREW . . . . .	20
11	S3420-1	. WASHER . . . . .	20
12	S1477-08	. NUT . . . . .	20
		—*—	
13	20050-52	. ANCHOR PLATE . . . . . V95957	10
		. ATTACHING PARTS	
14	MS24694-S53	. SCREW . . . . .	02
15	MS21069-3	. NUTPLATE . . . . .	02
		—*—	
16	20050-52	. ANCHOR PLATE . . . . . V95957	01
		. ATTACHING PARTS	
17	MS24694-S53	. SCREW . . . . .	02
18	MS21051L3	. NUTPLATE . . . . .	01
19	MS21055L3	. NUTPLATE . . . . .	01
		—*—	
20	6312030-44	. SUPPORT ASSY-LH FWD . . . . .	01
21	6312030-19	. SUPPORT-LH AFT . . . . .	02
22	6312030-42	. PLATE . . . . .	01
23	6312030-18	. SUPPORT-CTR . . . . .	02
24	S3528-5D	. ANCHOR ASSY . . . . .	02
25	6312030-33	. SUPPORT-RH . . . . .	01
26	6312030-38	. BRACKET . . . . .	01
27	6312030-13	. CHANNEL . . . . .	01
28	6312030-41	. CHANNEL . . . . .	01
29	S3529-1B1	. ANCHOR ASSY . . . . .	01
30	S4132-1	. ANCHOR . . . . .	16
31	6312030-15	. CHANNEL . . . . .	01
32	6312030-11	. SUPPORT-LH . . . . .	01
33	6312030-12	. SUPPORT-RH . . . . .	01
34	6312030-16	. SUPPORT . . . . .	01
35	6312030-22	. SUPPORT . . . . .	01
36	6312030-36	. SUPPORT . . . . .	01
37	6318906-5	. CONNECTOR CLIP-LH . . . . .	02
38	6312030-35	. ANGLE . . . . .	01
39	S1741-5	. ANCHOR . . . . .	04
40	6312030-40	. ANGLE . . . . .	01
41	6312030-5	. SUPPORT . . . . .	01
42	6312030-7	. SUPPORT . . . . .	01
43	6312030-8	. SUPPORT . . . . .	01
44	6312030-47	. CHANNEL . . . . .	01

CESSNA®  
MODEL 525 (SERIALS -0685 AND -0800 AND ON)  
ILLUSTRATED PARTS CATALOG

A89852



**DETAIL A**

AFT BAGGAGE COMPARTMENT CEILING  
FIGURE 03 (SHEET 1)

6310T1168  
A6312T1009A



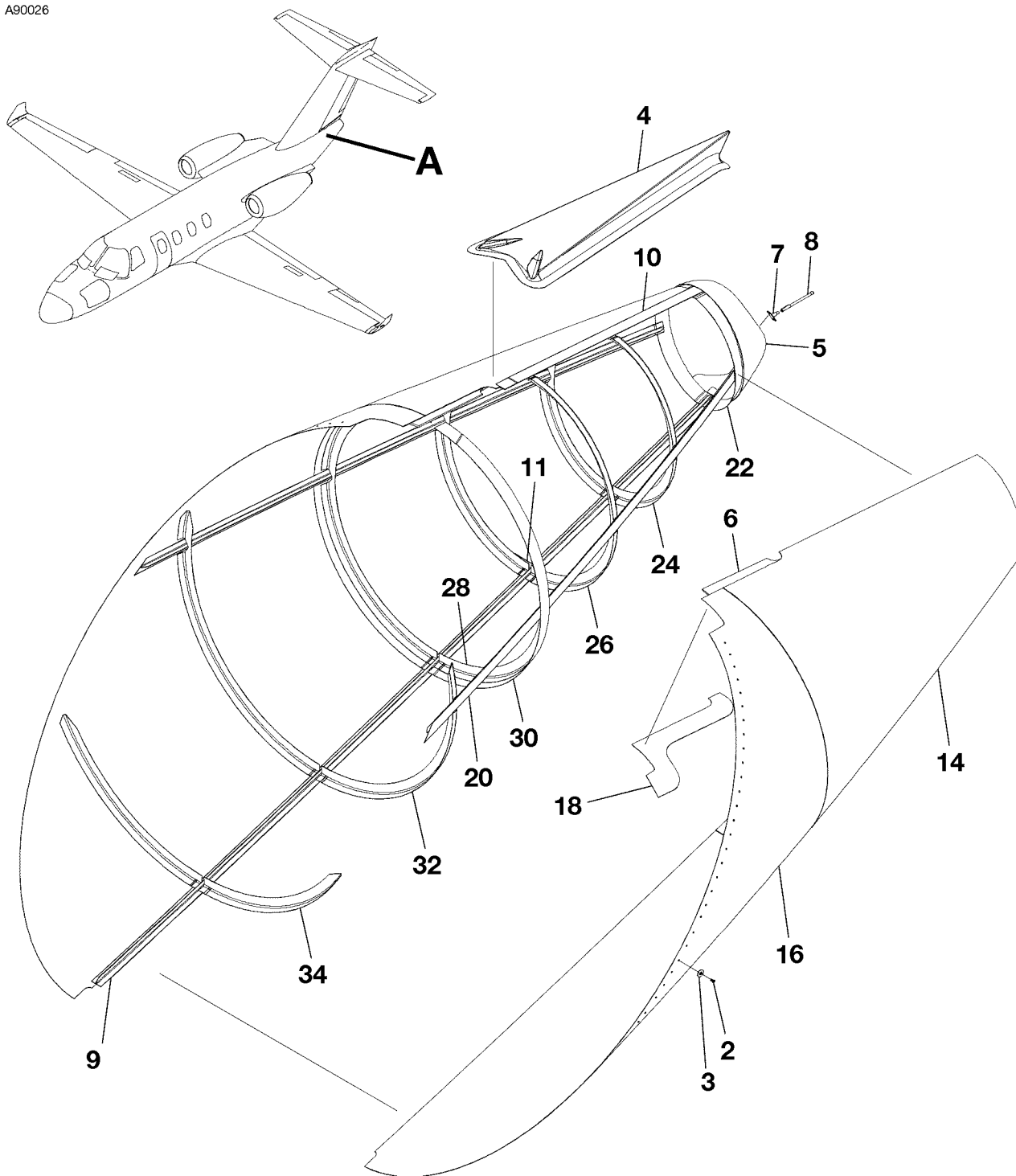
CESSNA®  
**MODEL 525 (SERIALS -0685 AND -0800 AND ON)**  
 ILLUSTRATED PARTS CATALOG

FIG ITEM	PART NUMBER	NOMENCLATURE	UNITS
			PER ASSY
		1 2 3 4 5 6 7	
03		AFT BAGGAGE COMPARTMENT CEILING	RF
- 1	6312032-28	. SUPPORT STIFFENER . . . . .	01
		. ATTACHING PARTS	
2	NAS7024-03	. PIN . . . . .	04
3	NAS1080K04	. COLLAR . . . . .	04
		—*—	
4	6312032-41	. CEILING PANEL-LH . . . . .	01
5	6312032-42	. CEILING PANEL-RH . . . . .	01
		. ATTACHING PARTS	
6	AN525-8R8	. SCREW . . . . .	22
7	S1477-08	. NUT . . . . .	22
		—*—	
8	6312032-45	. CEILING SUPPORT ANGLE-LH . . . . .	01
9	6312032-16	. CEILING SUPPORT ANGLE-RH . . . . .	01
10	6312032-6	. CEILING PANEL-CTR . . . . .	01
		. ATTACHING PARTS	
11	AN525-8R8	. SCREW . . . . .	19
12	S1477-08	. NUT . . . . .	19
		—*—	
13	6312032-36	. BAGGAGE COMPARTMENT EXTENSION . . . . .	01
		. ATTACHING PARTS	
14	AN525-8R8	. SCREW . . . . .	29
15	S1477-08	. NUT . . . . .	29
		—*—	
16	6312032-4	. COVER EXTENSION . . . . .	01
17	6312032-53	. BAGGAGE SECTION-USED WITH AFT SKI STORAGE . . . . .	01
		. ATTACHING PARTS	
18	AN525-8R8	. SCREW . . . . .	06
19	S1477-08	. NUT . . . . .	06
		—*—	
20	6312032-26	. SUPPORT BRACKET-USED WITH AFT SKI STORAGE . . . . .	02
		. ATTACHING PARTS	
21	AN525-8R8	. SCREW . . . . .	05
22	S1477-08	. NUT . . . . .	05
		—*—	
23	6312032-60	. SUPPORT TEE-FWD . . . . .	01
24	6312032-43	. SUPPORT TEE . . . . .	01
25	6312032-33	. SUPPORT BRACKET-LH . . . . .	01
26	6312032-34	. STIFFENER CLIP-LH . . . . .	01
		. ATTACHING PARTS	
27	NAS7034H03	. PIN . . . . .	03
28	NAS1080K04	. COLLAR . . . . .	03
		—*—	
29	6312032-29	. DOUBLER-LH . . . . .	01
- 30	6312032-30	. DOUBLER-RH . . . . .	01
31	6312032-58	. STIFFENER BRACKET-RH . . . . .	01
32	6312032-57	. MOUNTING BRACKET-RH . . . . .	01
		. ATTACHING PARTS	
33	NAS7034H03	. PIN . . . . .	03
34	NAS1080K04	. COLLAR . . . . .	03
		—*—	
35	6312032-46	. DOUBLER . . . . .	02
36	6312032-40	. CLIP . . . . .	01
37	6312032-17	. SUPPORT TEE-CTR . . . . .	02
38	6312032-44	. SUPPORT STANDOFF . . . . .	02
		. ATTACHING PARTS	
39	AN525-8R8	. SCREW . . . . .	02
40	S1477-08	. NUT . . . . .	02
		—*—	
41	6312032-14	. SUPPORT BRACKET-UPR . . . . .	01
42	6312032-23	. SUPPORT BRACKET . . . . .	01
43	S4132-1	. ANCHOR . . . . .	01
44	6312032-18	. SUPPORT BRACKET-UPR . . . . .	01
45	6312032-19	. SUPPORT BRACKET-FWD . . . . .	01
46	6312032-21	. CLOSEOUT PANEL-LH . . . . .	01
- 47	6312032-22	. CLOSEOUT PANEL-RH . . . . .	01
- 48	6312032-51	. DOOR ASSY . . . . .	01
49	S1188-3	. LATCH ASSY . . . . .	02

- ITEM NOT ILLUSTRATED

CESSNA®  
MODEL 525 (SERIALS -0685 AND -0800 AND ON)  
ILLUSTRATED PARTS CATALOG

A90026



**DETAIL A**

STINGER INSTALLATION  
FIGURE 04 (SHEET 1)

6310T1168  
A6312T1191

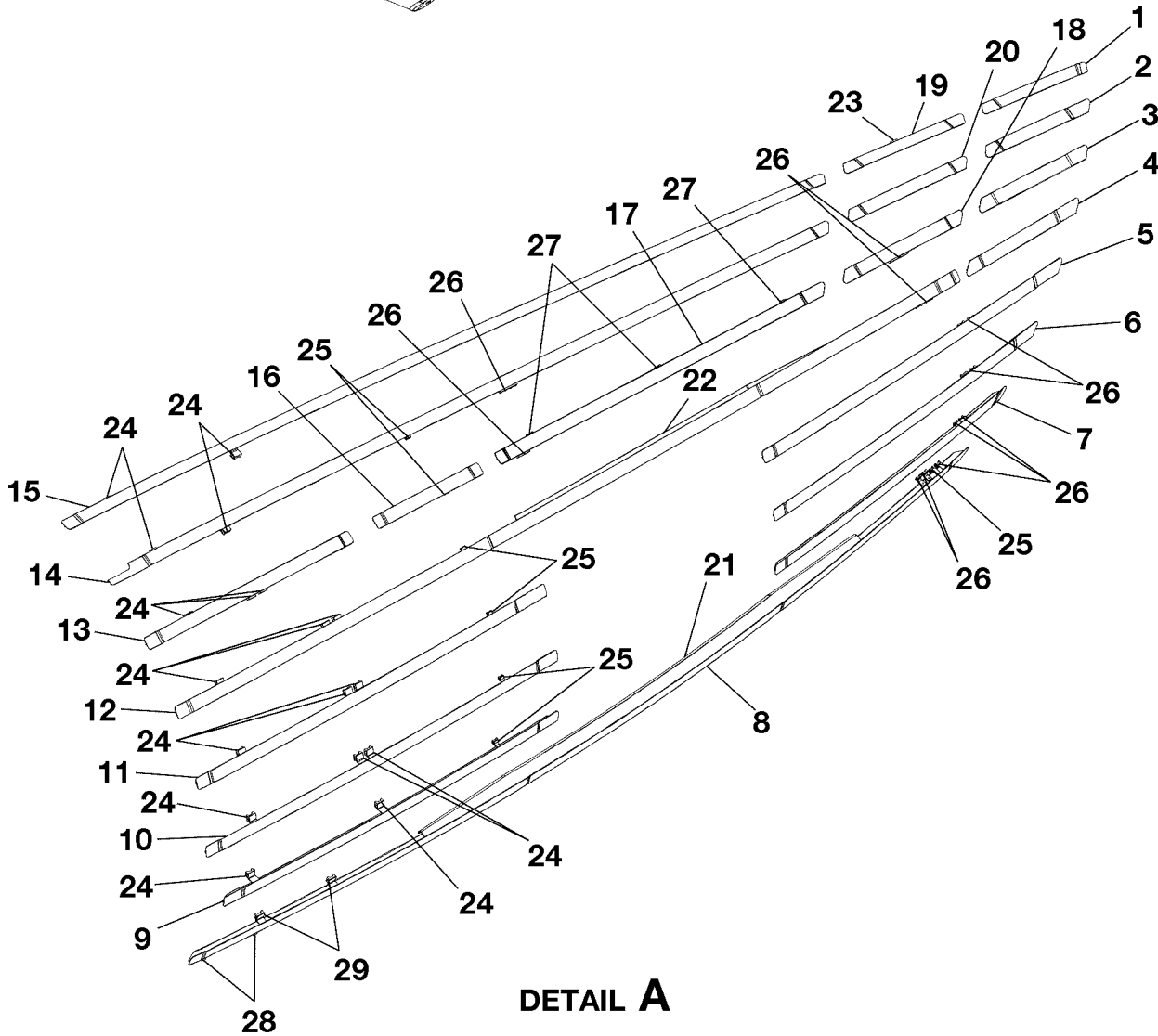
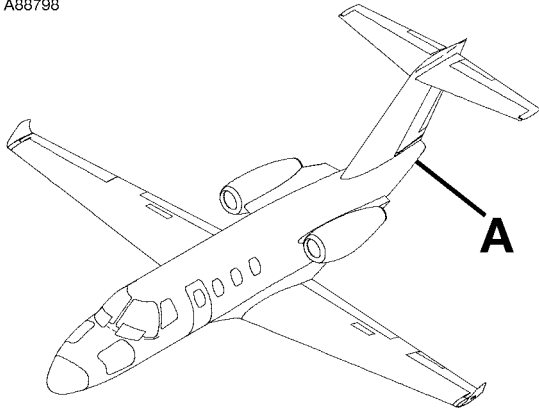
CESSNA®  
**MODEL 525 (SERIALS -0685 AND -0800 AND ON)**  
 ILLUSTRATED PARTS CATALOG

FIG ITEM	PART NUMBER	NOMENCLATURE	UNITS
			PER ASSY
04		STINGER INSTALLATION	RF
- 1	6312120-73	. STINGER ASSY . . . . .	01
		ATTACHING PARTS	
2	S3455-C3	. SCREW . . . . .	52
3	NAS1169C8	. WASHER . . . . .	52
		*- WEDGE . . . . .	01
4	6312225-5	. . . . .	01
5	6312120-71	. . . . .	01
6	6312120-65	. . . . .	02
7	15347	. . . . .	01
8	16930	. . . . .	01
9	6312120-17	. . . . .	01
10	6312120-18	. . . . .	01
11	6312120-25	. . . . .	07
- 12	6312120-61	. . . . .	01
- 13	6312120-60	. . . . .	01
14	6312120-33	. . . . .	01
- 15	6312120-34	. . . . .	01
16	6312120-55	. . . . .	01
- 17	6312120-56	. . . . .	01
18	6312120-57	. . . . .	01
- 19	6312120-58	. . . . .	01
20	6312120-49	. . . . .	01
- 21	6312120-50	. . . . .	01
22	6312120-47	. . . . .	01
- 23	6312120-48	. . . . .	01
24	6312120-45	. . . . .	01
- 25	6312120-46	. . . . .	01
26	6312120-43	. . . . .	01
- 27	6312120-44	. . . . .	01
28	6312120-35	. . . . .	01
- 29	6312120-36	. . . . .	01
30	6312120-37	. . . . .	01
- 31	6312120-38	. . . . .	01
32	6312120-41	. . . . .	01
- 33	6312120-42	. . . . .	01
34	6312120-39	. . . . .	01
- 35	6312120-40	. . . . .	01

- ITEM NOT ILLUSTRATED

CESSNA®  
MODEL 525 (SERIALS -0685 AND -0800 AND ON)  
ILLUSTRATED PARTS CATALOG

A88798



TAILCONE STRINGERS INSTALLATION  
FIGURE 01 (SHEET 1)

6310T1168  
A6312T1042

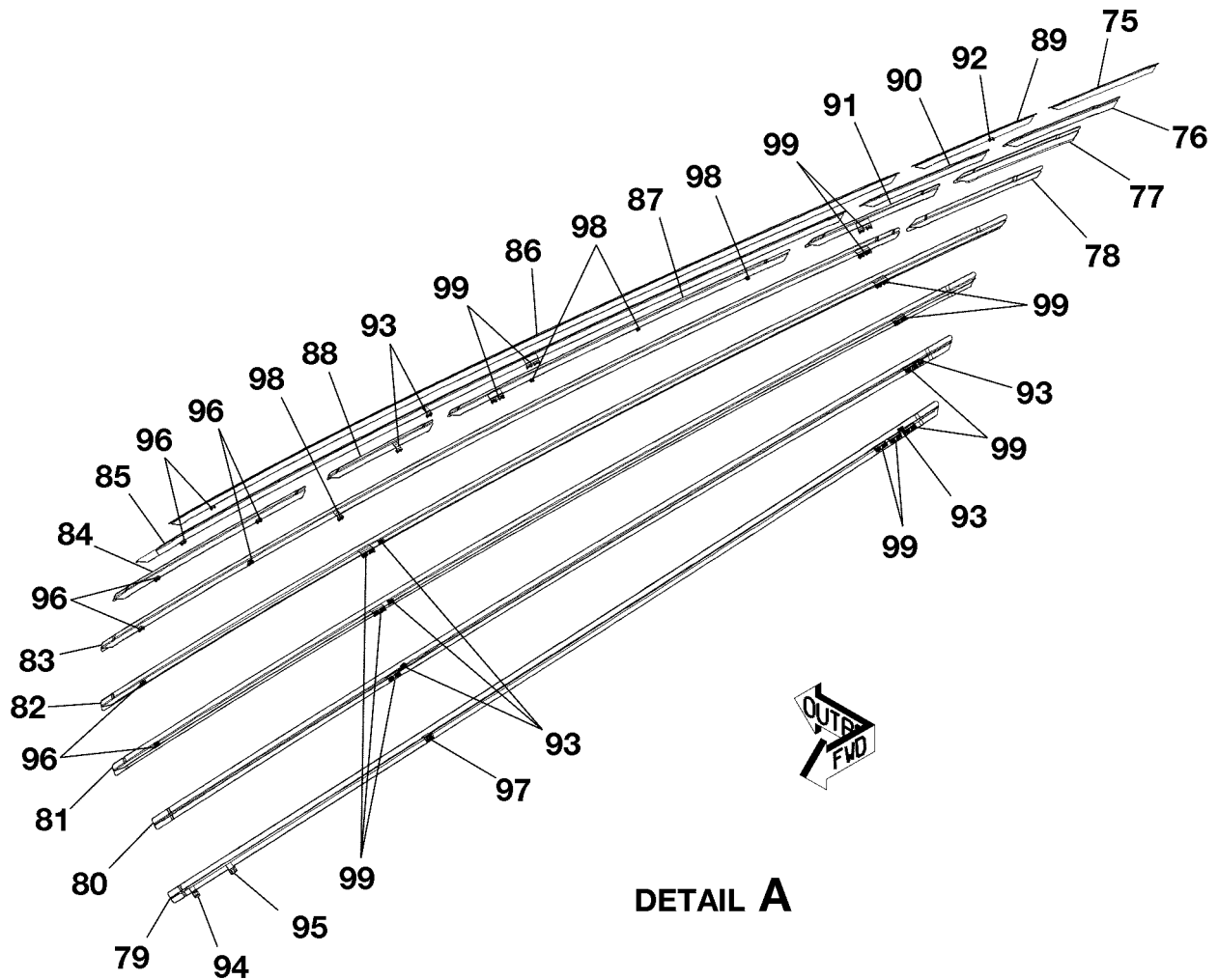
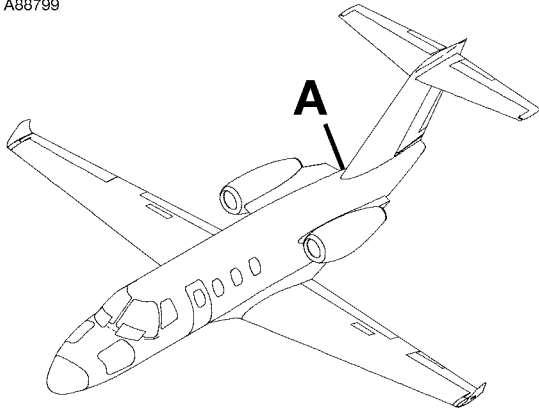
CESSNA®  
**MODEL 525 (SERIALS -0685 AND -0800 AND ON)**  
 ILLUSTRATED PARTS CATALOG

FIG ITEM	PART NUMBER	NOMENCLATURE	UNITS
			PER ASSY
01		TAILCONE STRINGERS INSTALLATION	RF
-			
1	6312316-35	. STRINGER S4L-LH AFT . . . . .	01
2	6312316-33	. STRINGER S5L-LH AFT . . . . .	01
3	6312316-31	. STRINGER S6L-LH AFT . . . . .	01
4	6312316-29	. STRINGER S7L-LH AFT . . . . .	01
5	6312328-37	. STRINGER S8L-LH AFT . . . . .	01
6	6312328-32	. STRINGER S9L-LH AFT . . . . .	01
7	6312328-31	. STRINGER S10L-LH AFT . . . . .	01
8	6312022-69	. STRINGER S11-LH . . . . .	01
9	6312022-51	. STRINGER S10-LH FWD . . . . .	01
10	6312022-47	. STRINGER S9-LH FWD . . . . .	01
11	6312022-43	. STRINGER S8-LH FWD . . . . .	01
12	6312022-77	. STRINGER S7-LH FWD . . . . .	01
13	6312022-29	. STRINGER S6-LH FWD . . . . .	01
14	6312022-23	. STRINGER S5-LH FWD . . . . .	01
15	6312022-17	. STRINGER S4-LH FWD . . . . .	01
16	6312022-31	. STRINGER S6-LH MID FWD . . . . .	01
17	6312022-63	. STRINGER S6-LH MID . . . . .	01
18	6312022-35	. STRINGER S6-LH MID AFT . . . . .	01
19	6312022-19	. STRINGER S4-LH MID . . . . .	01
20	6312022-25	. STRINGER S5-LH MID . . . . .	01
21	6312065-19	. STIFFENER-LH LWR . . . . .	01
22	6312065-3	. STIFFENER ASSY-LH UPR . . . . .	01
23	6238377-17	. CLIP ASSY . . . . .	01
24	6238377-2	. CLIP ASSY . . . . .	18
25	S3528-5D	. ANCHOR ASSY . . . . .	07
26	6318015-28	. ANCHOR ASSY . . . . .	11
27	6318015-26	. ANCHOR ASSY . . . . .	03
28	S3529-1A1	. ANCHOR ASSY . . . . .	02
29	6238377-11	. CLIP ASSY . . . . .	02

- ITEM NOT ILLUSTRATED

CESSNA®  
MODEL 525 (SERIALS -0685 AND -0800 AND ON)  
ILLUSTRATED PARTS CATALOG

A88799



TAILCONE STRINGERS INSTALLATION  
FIGURE 01 (SHEET 2)

6310T1168  
A6312T1043

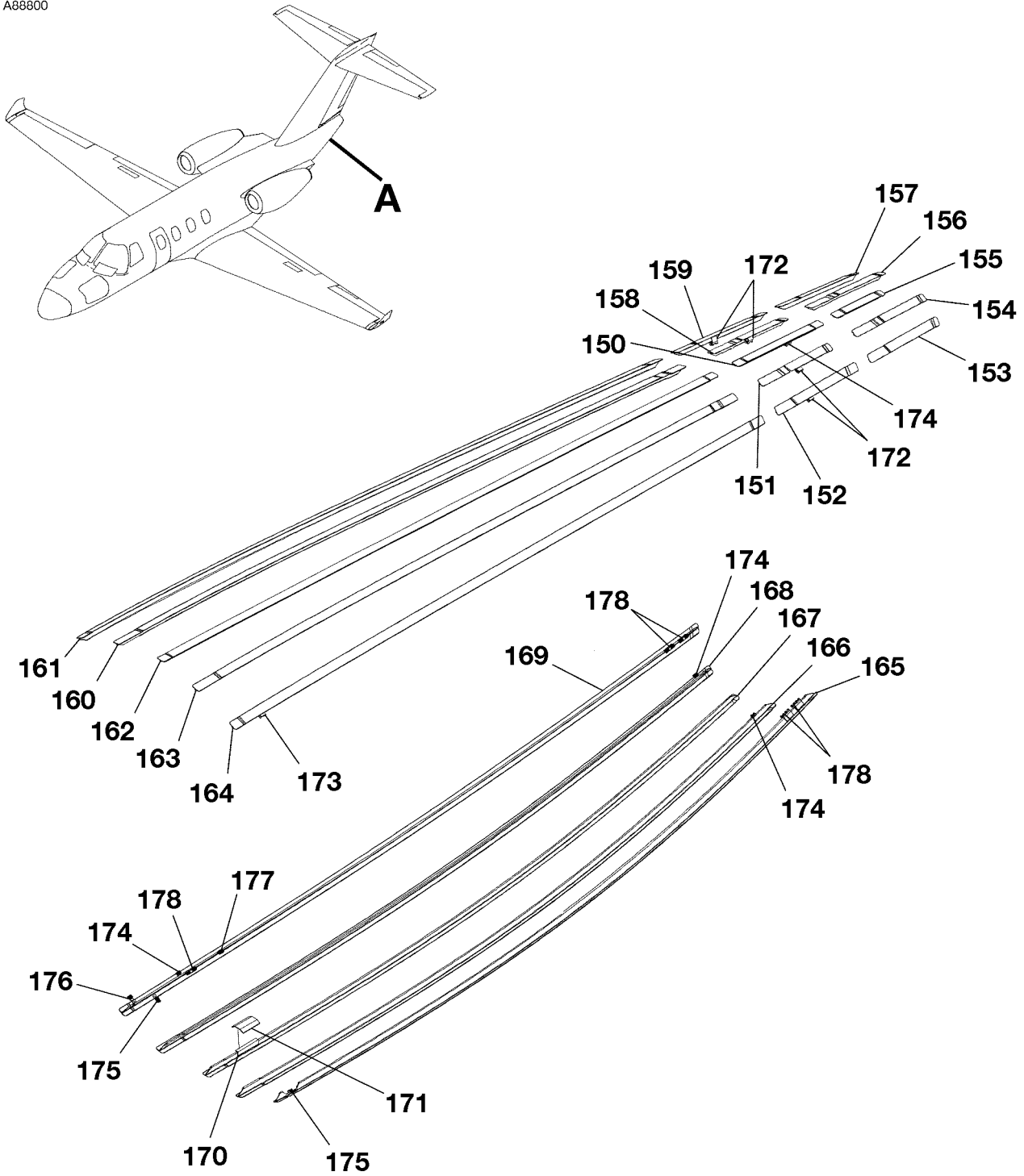
CESSNA®  
**MODEL 525 (SERIALS -0685 AND -0800 AND ON)**  
 ILLUSTRATED PARTS CATALOG

FIG ITEM	PART NUMBER	NOMENCLATURE	UNITS
			PER ASSY
01			
75	6312316-36	. STRINGER S4-RH AFT . . . . .	01
76	6312316-34	. STRINGER S5-RH AFT . . . . .	01
77	6312316-32	. STRINGER S6-RH AFT . . . . .	01
78	6312316-30	. STRINGER S7-RH AFT . . . . .	01
79	6312022-70	. STRINGER S11-RH . . . . .	01
80	6312022-72	. STRINGER S10-RH . . . . .	01
81	6312022-74	. STRINGER S9-RH . . . . .	01
82	6312022-76	. STRINGER S8-RH . . . . .	01
83	6312022-78	. STRINGER S7-RH FWD . . . . .	01
84	6312022-29	. STRINGER S6-RH FWD . . . . .	01
85	6312022-24	. STRINGER S5-RH FWD . . . . .	01
86	6312022-18	. STRINGER S4-RH FWD . . . . .	01
87	6312022-62	. STRINGER S6-RH MID . . . . .	01
88	6312022-31	. STRINGER S6-RH MID FWD . . . . .	01
89	6312022-20	. STRINGER S4-RH MID . . . . .	01
90	6312022-26	. STRINGER S5-RH MID . . . . .	01
91	6312022-36	. STRINGER S6-RH MID AFT . . . . .	01
92	6238377-17	. CLIP ASSY . . . . .	01
93	S3528-5D	. ANCHOR ASSY . . . . .	07
94	S3529-1A1	. ANCHOR ASSY . . . . .	01
95	S3529-1B1	. ANCHOR ASSY . . . . .	01
96	6238377-2	. CLIP ASSY . . . . .	08
97	6238377-9	. CLIP ASSY . . . . .	01
98	6318015-26	. ANCHOR ASSY . . . . .	04
99	6318015-28	. ANCHOR ASSY . . . . .	13

- ITEM NOT ILLUSTRATED

CESSNA®  
MODEL 525 (SERIALS -0685 AND -0800 AND ON)  
ILLUSTRATED PARTS CATALOG

A88800



**DETAIL A**

TAILCONE STRINGERS INSTALLATION  
FIGURE 01 (SHEET 3)

6310T1168  
A6312T1044



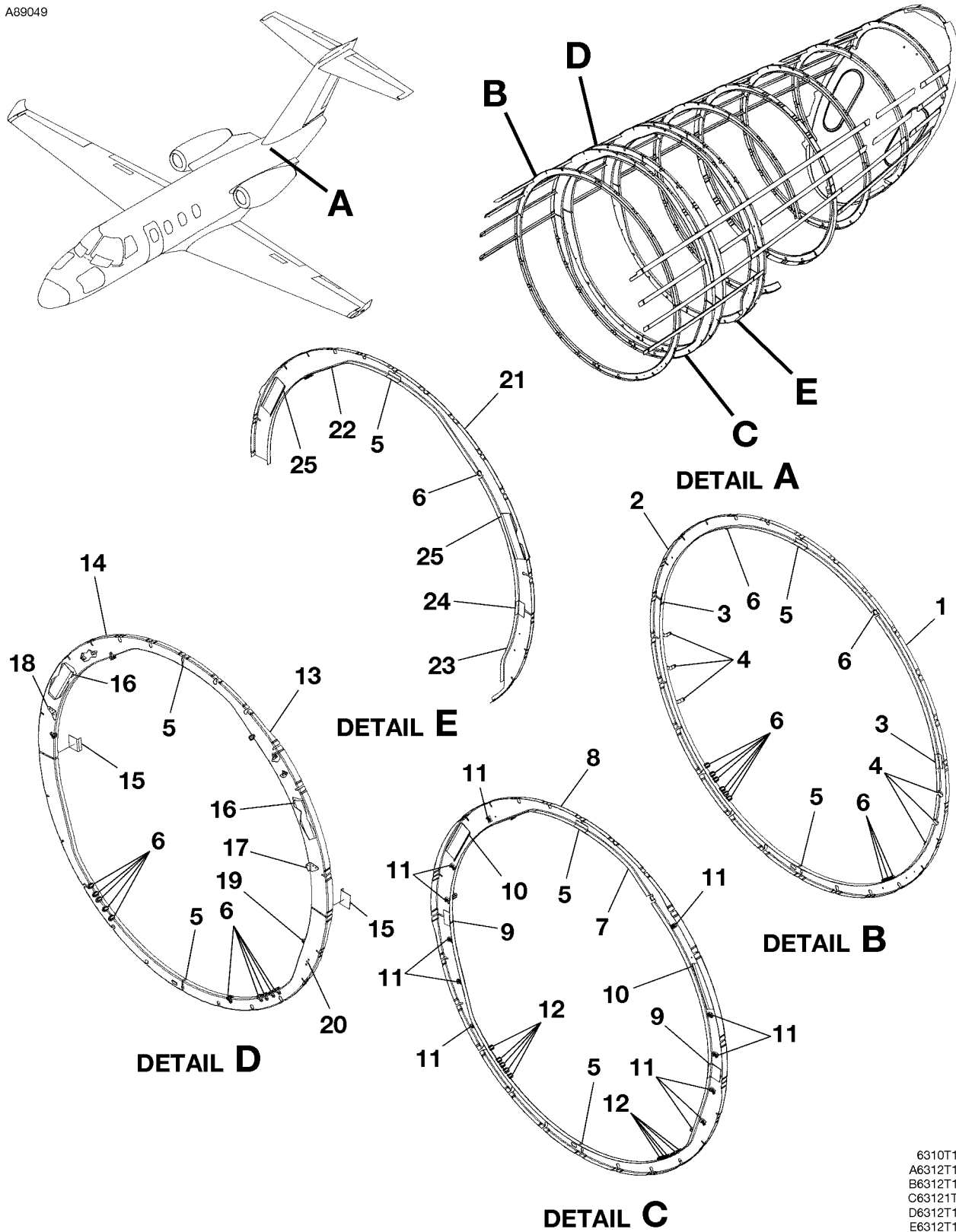
CESSNA®  
**MODEL 525 (SERIALS -0685 AND -0800 AND ON)**  
 ILLUSTRATED PARTS CATALOG

FIG ITEM	PART NUMBER	NOMENCLATURE	UNITS
			PER ASSY
01			
150	6312022-2	. STRINGER S1-UPR MID . . . . .	01
151	6312022-7	. STRINGER S2-LH UPR MID . . . . .	01
152	6312022-13	. STRINGER S3-LH UPR MID . . . . .	01
153	6312316-37	. STRINGER S3-LH UPR AFT . . . . .	01
154	6312316-39	. STRINGER S2-LH UPR AFT . . . . .	01
155	6312022-3	. STRINGER S1-UPR AFT . . . . .	01
156	6312316-40	. STRINGER S2-RH UPR AFT . . . . .	01
157	6312316-38	. STRINGER S3-RH UPR AFT . . . . .	01
158	6312022-8	. STRINGER S2-RH UPR MID . . . . .	01
159	6312022-14	. STRINGER S3-RH UPR MID . . . . .	01
160	6312022-6	. STRINGER S2-RH UPR FWD . . . . .	01
161	6312022-12	. STRINGER S3-RH UPR FWD . . . . .	01
162	6312022-1	. STRINGER S1-UPR FWD . . . . .	01
163	6312022-5	. STRINGER S2-LH UPR FWD . . . . .	01
164	6312022-11	. STRINGER S3-LH UPR FWD . . . . .	01
165	6312022-67	. STRINGER S12-LH LWR . . . . .	01
166	6312022-65	. STRINGER S13-LH LWR . . . . .	01
167	6312022-64	. STRINGER S14-LWR . . . . .	01
168	6312022-66	. STRINGER S13-RH LWR . . . . .	01
169	6312022-68	. STRINGER S12-RH LWR . . . . .	01
170	6312005-4	. BRACKET . . . . .	01
171	6312005-5	. SHIELD . . . . .	01
172	6238377-17	. CLIP ASSY . . . . .	04
173	6238377-2	. CLIP ASSY . . . . .	01
174	S3528-5D	. ANCHOR ASSY . . . . .	04
175	S3529-1A1	. ANCHOR ASSY . . . . .	02
176	S3529-1B1	. ANCHOR ASSY . . . . .	01
177	6238377-9	. CLIP ASSY . . . . .	01
178	6318015-28	. ANCHOR ASSY . . . . .	05

- ITEM NOT ILLUSTRATED

CESSNA®  
**MODEL 525 (SERIALS -0685 AND -0800 AND ON)**  
 ILLUSTRATED PARTS CATALOG

A89049



**TAILCONE BULKHEADS INSTALLATION**  
 FIGURE 02 (SHEET 1)

6310T1168  
 A6312T1112  
 B6312T1112  
 C6312T1112  
 D6312T1112  
 E6312T1112

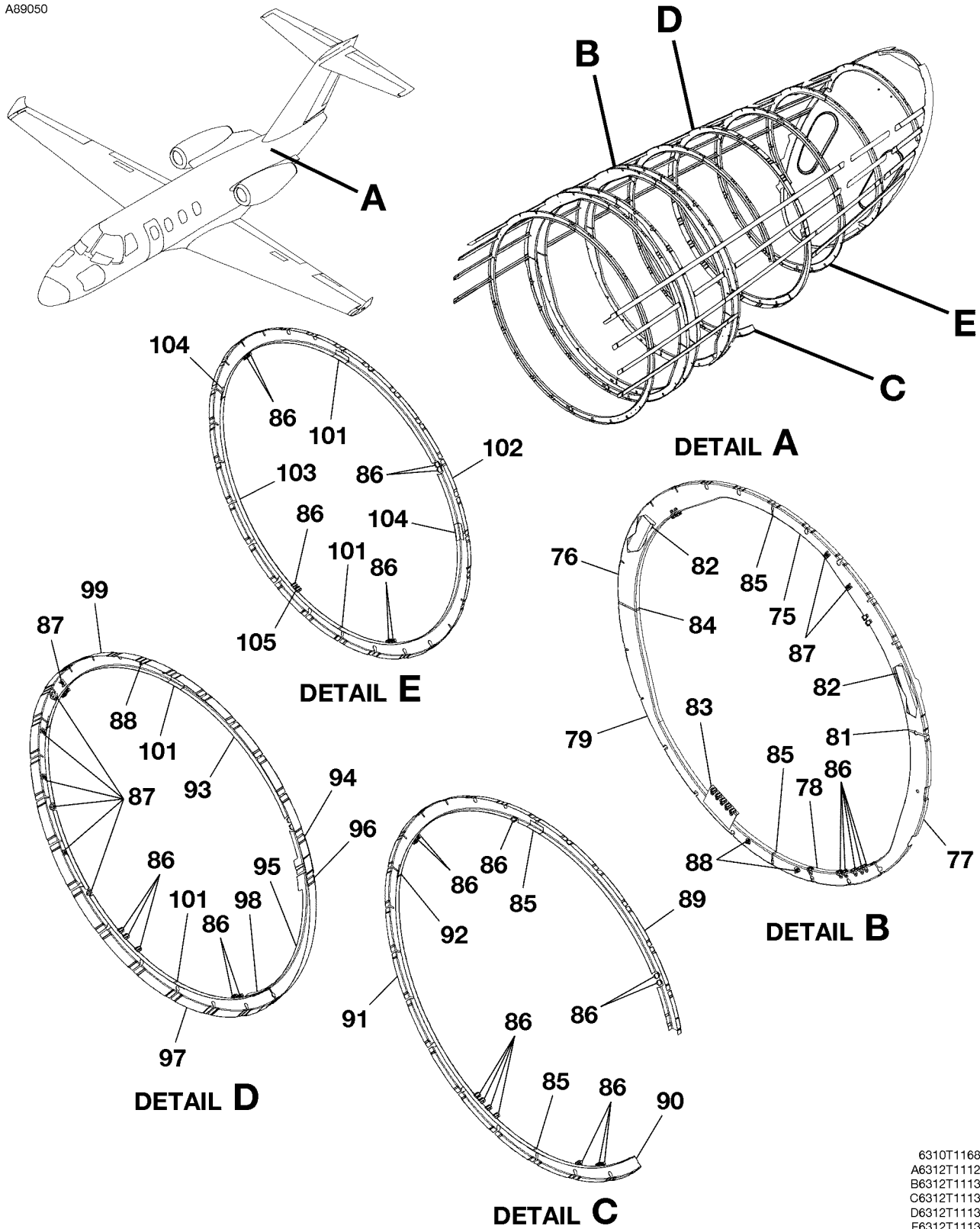
CESSNA®  
**MODEL 525 (SERIALS -0685 AND -0800 AND ON)**  
 ILLUSTRATED PARTS CATALOG

FIG ITEM	PART NUMBER	NOMENCLATURE	UNITS
			PER ASSY
02		TAILCONE BULKHEADS INSTALLATION	RF
-			
1	6312101-12	. BULKHEAD ASSY-LH . . . . .	01
2	6312101-4	. BULKHEAD ASSY-RH . . . . .	01
3	6312101-2	. . CLIP . . . . .	01
4	6316000-23	. . SUPPORT BRACKET . . . . .	03
5	6312101-2	. CLIP . . . . .	07
6	S4132-1	. ANCHOR . . . . .	AR
7	6312102-11	. BULKHEAD ASSY-LH . . . . .	01
8	6312102-10	. BULKHEAD ASSY-RH . . . . .	01
9	5512020-17	. . CLIP . . . . .	01
10	6312102-9	. . CHANNEL . . . . .	01
11	S1741-5	. . ANCHOR . . . . .	06
12	S4132-1	. . ANCHOR . . . . .	AR
13	6312103-3	. BULKHEAD ASSY-LH . . . . .	01
14	6312103-4	. BULKHEAD ASSY-RH . . . . .	01
15	5512020-17	. . CLIP . . . . .	01
16	6312102-9	. . CHANNEL . . . . .	01
17	6316000-21	. . SUPPORT BRACKET-LH . . . . .	01
18	6316000-22	. . SUPPORT BRACKET-RH . . . . .	01
19	S1741-5	. ANCHOR . . . . .	05
20	MS21047L3	. NUTPLATE . . . . .	01
21	6312104-3	. BULKHEAD SEGMENT-LH . . . . .	01
22	6312104-2	. BULKHEAD SEGMENT-RH . . . . .	01
23	6312104-6	. FRAME SEGMENT-LH . . . . .	01
24	6312105-2	. CLIP . . . . .	01
25	6312102-9	. CHANNEL . . . . .	02

- ITEM NOT ILLUSTRATED

CESSNA®  
**MODEL 525 (SERIALS -0685 AND -0800 AND ON)**  
 ILLUSTRATED PARTS CATALOG

A89050



**TAILCONE BULKHEADS INSTALLATION**  
 FIGURE 02 (SHEET 2)

6310T1168  
 A6312T1112  
 B6312T1113  
 C6312T1113  
 D6312T1113  
 E6312T1113

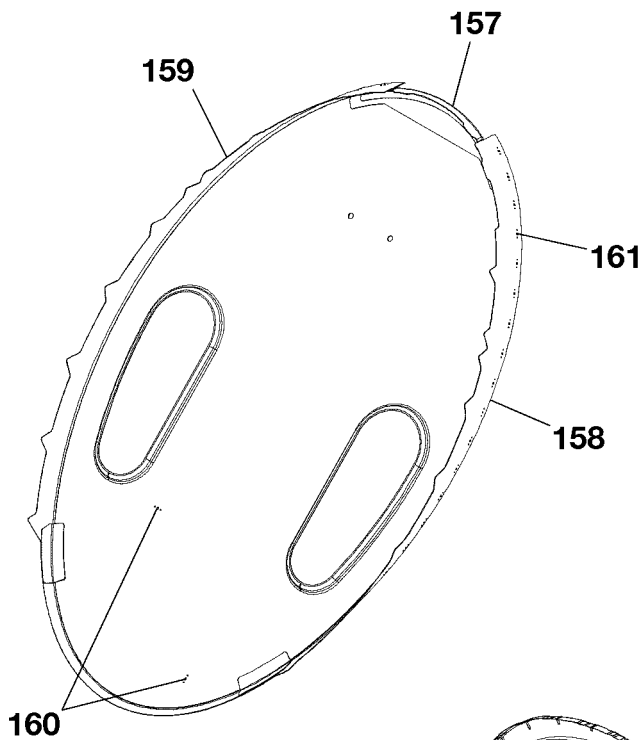
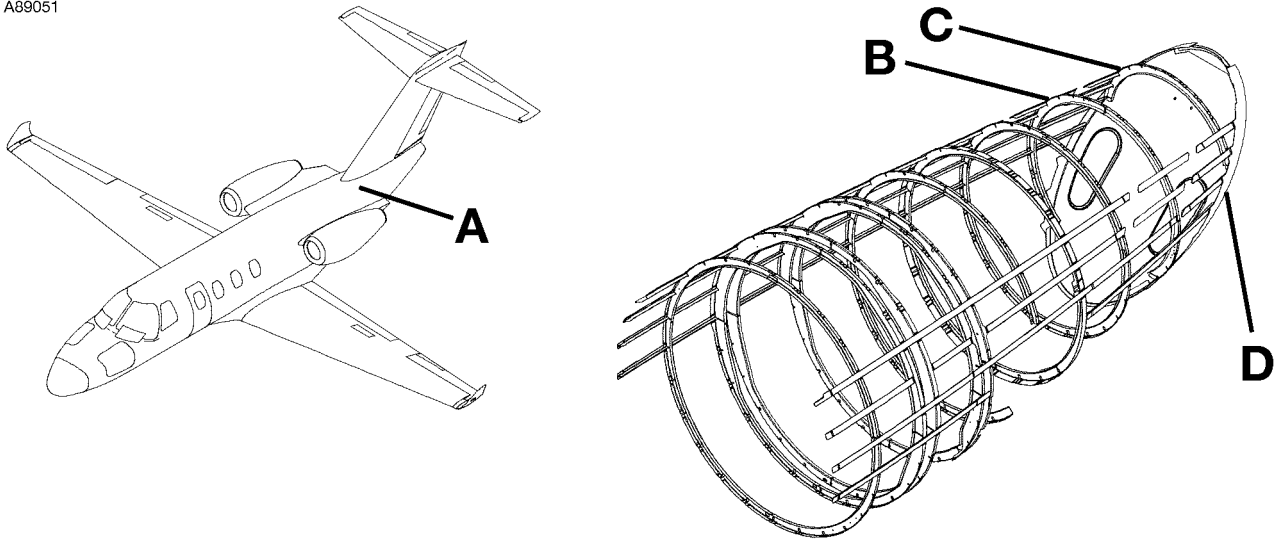
CESSNA®  
**MODEL 525 (SERIALS -0685 AND -0800 AND ON)**  
 ILLUSTRATED PARTS CATALOG

FIG ITEM	PART NUMBER	NOMENCLATURE	UNITS	
			PER	ASSY
02				
75	6312105-5	. BULKHEAD SEGMENT-LH UPR . . . . .		01
76	6312105-6	. BULKHEAD SEGMENT-RH UPR . . . . .		01
77	6312105-16	. BULKHEAD SEGMENT-LH . . . . .		01
78	6312105-9	. BULKHEAD SEGMENT-LH LWR . . . . .		01
79	6312105-8	. BULKHEAD SEGMENT-RH LWR . . . . .		01
- 80	6312105-15	. STRAP . . . . .		02
81	6312105-2	. CLIP . . . . .		01
82	6312102-9	. CHANNEL . . . . .		02
83	6312105-12	. PLATE . . . . .		01
84	5512020-17	. CLIP . . . . .		01
85	6312101-2	. CLIP . . . . .		04
86	S4132-1	. ANCHOR . . . . .		AR
87	S1741-5	. ANCHOR . . . . .		09
88	S1741-1	. ANCHOR . . . . .		05
89	6312107-3	. BULKHEAD SEGMENT-LH UPR . . . . .		01
90	6312107-9	. BULKHEAD SEGMENT-LH LWR . . . . .		01
91	6312107-4	. BULKHEAD ASSY-RH . . . . .		01
92	6312101-2	. CLIP . . . . .		01
93	6312108-5	. BULKHEAD SEGMENT-LH UPR . . . . .		01
94	6312108-9	. BULKHEAD STIFFENER-LH UPR . . . . .		01
95	6312108-3	. BULKHEAD SEGMENT-LH MID . . . . .		01
96	6312108-10	. BULKHEAD STIFFENER-LH MID . . . . .		01
97	6312108-11	. BULKHEAD SEGMENT-LH LWR . . . . .		01
98	6312108-2	. BULKHEAD STIFFENER-LH LWR . . . . .		01
99	6312108-4	. BULKHEAD ASSY-RH . . . . .		01
- 100	6312106-2	. CLIP . . . . .		01
101	6312106-2	. CLIP . . . . .		04
102	6312106-11	. BULKHEAD ASSY-LH FSO 6312106-15 . . . . .	0685 0685 0800 0919 0920 & ON	NP R
- 102A	6312106-15	. BULKHEAD ASSY-LH . . . . .		01 R
103	6312106-12	. BULKHEAD ASSY-RH . . . . .		01
104	6312106-2	. CLIP . . . . .		01
105	S4132-2	. ANCHOR . . . . .		01

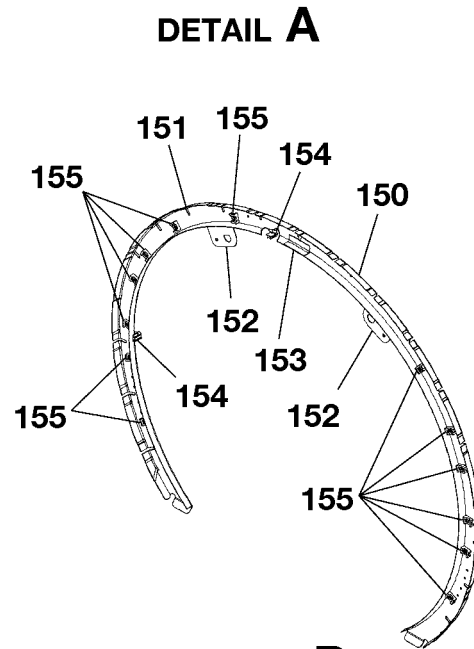
- ITEM NOT ILLUSTRATED

CESSNA®  
**MODEL 525 (SERIALS -0685 AND -0800 AND ON)**  
 ILLUSTRATED PARTS CATALOG

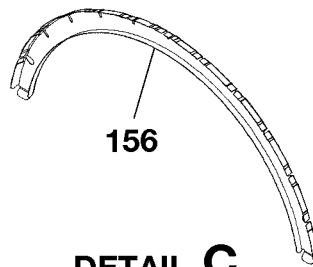
A89051



**DETAIL D**



**DETAIL B**



**DETAIL C**

6310T1168  
 A6312T1112  
 B6312T1113  
 C6312T1113  
 D6312T1113

**TAILCONE BULKHEADS INSTALLATION**  
 FIGURE 02 (SHEET 3)

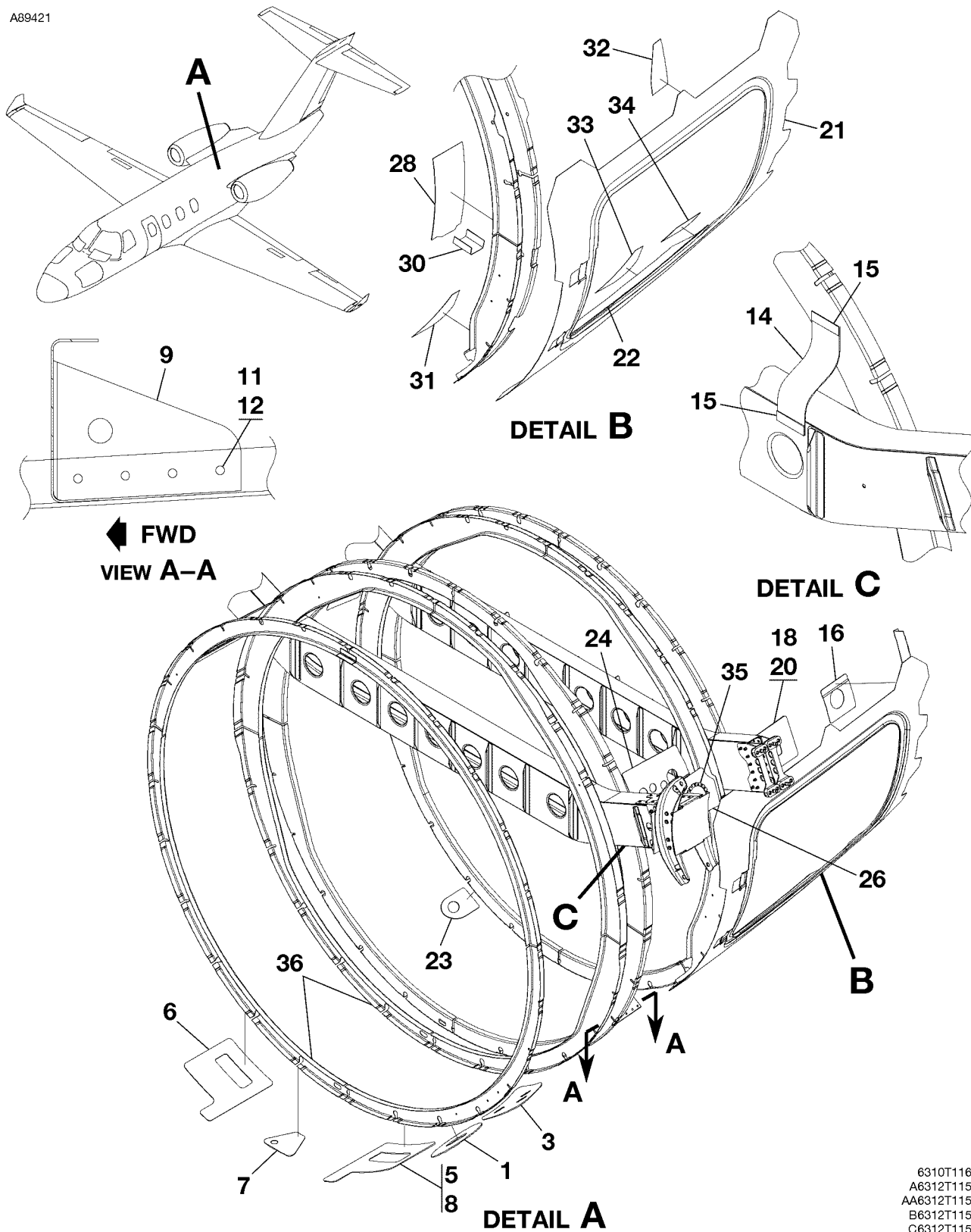
CESSNA®  
**MODEL 525 (SERIALS -0685 AND -0800 AND ON)**  
 ILLUSTRATED PARTS CATALOG

FIG ITEM	PART NUMBER	NOMENCLATURE	UNITS PER ASSY		
			1	2	3
02					
150	6312109-9	. BULKHEAD SEGMENT-LH FSO 6312109-11 . . . . .	0685	0685	NP R
			0800	0919	
- 150A	6312109-11	. BULKHEAD SEGMENT-LH . . . . .	0920	& ON	01 R
151	6312109-8	. BULKHEAD SEGMENT-RH . . . . .			01
152	9154504-6	. BRACKET . . . . .			02
153	6312109-4	. CLIP . . . . .			01
154	S4132-1	. ANCHOR . . . . .			02
155	S1741-5	. ANCHOR . . . . .			13
156	6312441-2	. FRAME DETAIL . . . . .			01
157	6312111-29	. CANTED BULKHEAD ASSY-AFT . . . . .			01
158	6312343-7	. SPLICE STRAP-LH AFT LWR . . . . .			01
159	6312343-8	. SPLICE STRAP-RH AFT LWR . . . . .			01
160	MS21047L3	. NUTPLATE . . . . .			02
161	MS21047L08	. NUTPLATE . . . . .			52

- ITEM NOT ILLUSTRATED

CESSNA®  
**MODEL 525 (SERIALS -0685 AND -0800 AND ON)**  
 ILLUSTRATED PARTS CATALOG

A89421



TAILCONE STRUCTURE INSTALLATION  
 FIGURE 03 (SHEET 1)

6310T1168  
 A6312T1158  
 AA6312T1158  
 B6312T1158  
 C6312T1158

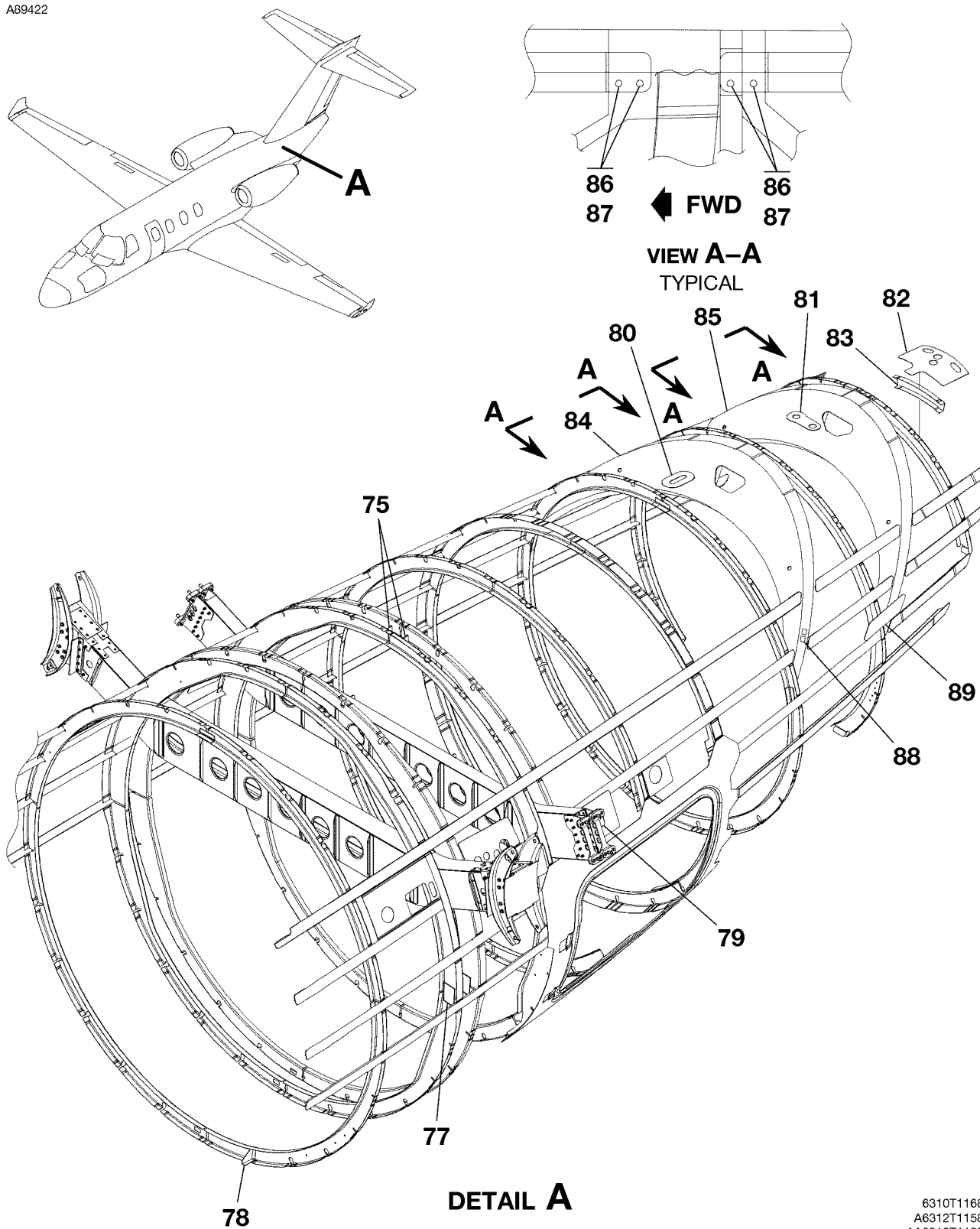


CESSNA®  
**MODEL 525 (SERIALS -0685 AND -0800 AND ON)**  
 ILLUSTRATED PARTS CATALOG

FIG ITEM	PART NUMBER	NOMENCLATURE	UNITS
			PER ASSY
		1 2 3 4 5 6 7	
03		TAILCONE STRUCTURE INSTALLATION	RF
-			
1	6312000-11	. INTERNAL DOUBLER-LH . . . . .	01
- 2	6312000-12	. INTERNAL DOUBLER-RH . . . . .	01
3	6312000-32	. EXTERNAL DOUBLER-LH . . . . .	01
- 4	6312000-10	. EXTERNAL DOUBLER-RH . . . . .	01
- 4A	S2446-18	. PLUG-RH . . . . .	01
5	6312000-27	. EXTERNAL DOUBLER-LH . . . . .	01
6	6312000-26	. EXTERNAL DOUBLER-RH . . . . .	01
7	6312000-25	. EXTERNAL DOUBLER . . . . .	01
8	S3529-1B1	. ANCHOR ASSY . . . . .	01
9		. GUSSET-LH REFER TO 24-40-00 FIGURE 01 . . . . .	RF
- 10	6318333-2	. GUSSET-RH . . . . .	01
		ATTACHING PARTS	
11	HL10VBJ5-2	. PIN-HI-LOK . . . . . V73197	04
12	HL70-5	. COLLAR-HI-LOK . . . . . V73197	04
- 13	S3191-08	. NUT ALT FOR HL70-5 . . . . .	04
		—*	
14	6312009-2	. BOND STRAP . . . . .	02
15	6312009-3	. PLATE . . . . .	04
16	6312000-19	. INTERNAL DOUBLER-LH . . . . .	01
- 17	6312000-20	. INTERNAL DOUBLER-RH . . . . .	01
18	6312000-21	. INTERNAL DOUBLER-LH . . . . .	01
- 19	6312000-22	. INTERNAL DOUBLER-RH . . . . .	01
20	S4132-1	. ANCHOR . . . . .	02
21	6312063-10	. SKIN DOUBLER . . . . .	01
22	6312063-6	. STIFFENER . . . . .	01
23	6312015-8	. INTERNAL DOUBLER . . . . .	01
24	6312015-13	. DOUBLER-LH . . . . .	01
- 25	6312015-14	. DOUBLER-RH . . . . .	01
26	6312015-17	. DOUBLER-LH . . . . .	01
- 27	6312015-18	. DOUBLER-RH . . . . .	01
28	6312065-17	. DOUBLER-LH . . . . .	01
- 29	6312065-20	. DOUBLER-RH . . . . .	01
30	5512022-9	. CHANNEL . . . . .	02
31	6312065-11	. GUSSET-LH . . . . .	01
32	6312065-13	. GUSSET-LH . . . . .	01
33	6312065-9	. GUSSET-LH . . . . .	01
34	6312065-10	. GUSSET-LH . . . . .	02
35	MS21266-3N	. GROMMET . . . . .	02
36		. AFT BULKHEAD INSTALLATION REFER TO 53-40-00 FIGURE 02 . . . . .	RF

CESSNA®  
**MODEL 525 (SERIALS -0685 AND -0800 AND ON)**  
 ILLUSTRATED PARTS CATALOG

A89422



**DETAIL A**  
 TAILCONE STRUCTURE INSTALLATION  
 FIGURE 03 (SHEET 2)

6310T1168  
 A6312T1158  
 AA6312T1189

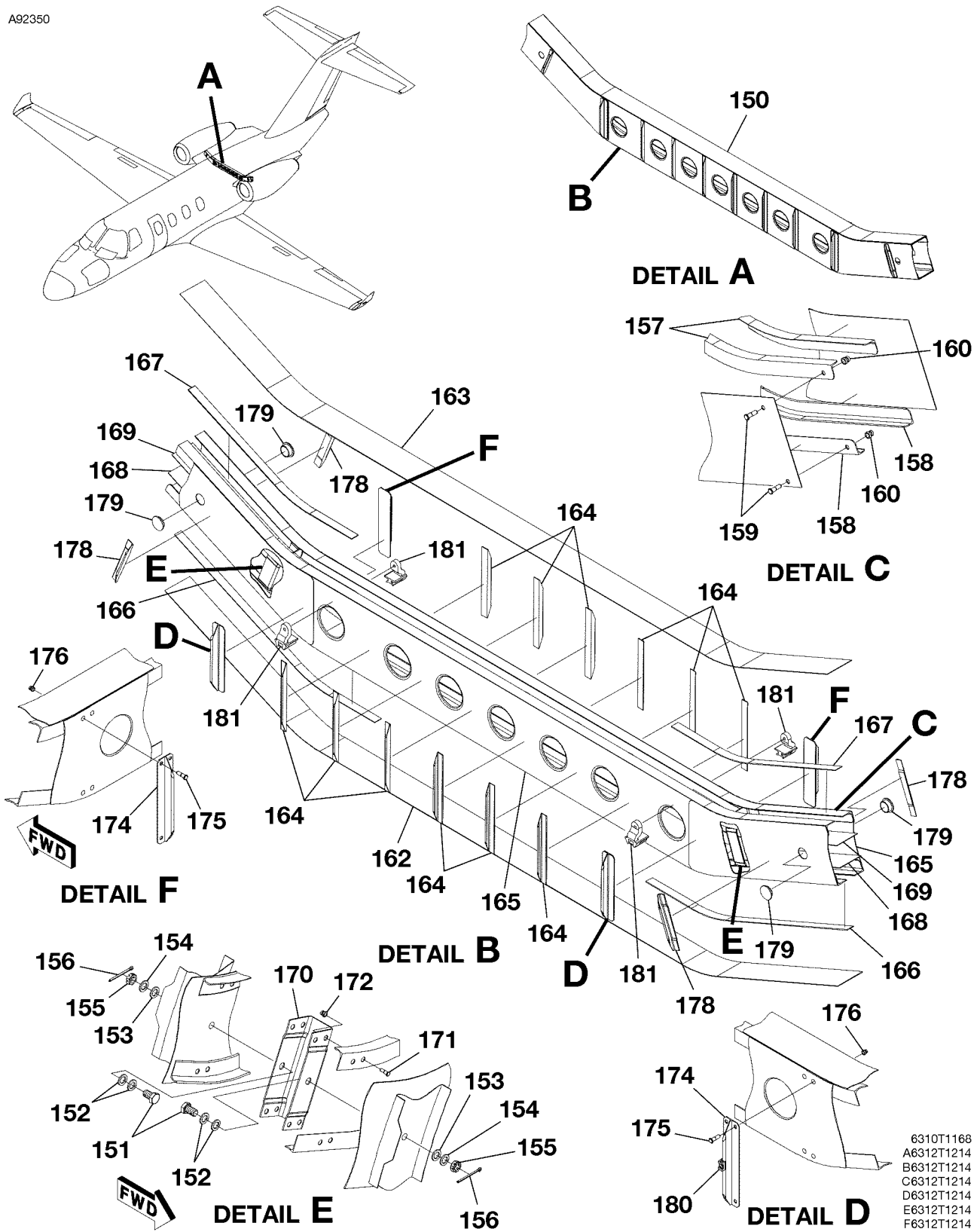
CESSNA®  
**MODEL 525 (SERIALS -0685 AND -0800 AND ON)**  
 ILLUSTRATED PARTS CATALOG

FIG ITEM	PART NUMBER	1 2 3 4 5 6 7	NOMENCLATURE	UNITS PER ASSY		
03						
75	6361221-3		. STIFFENER-LH . . . . .			02
- 76	6361221-4		. STIFFENER-RH . . . . .			02
77	6312065-12		. DOUBLER . . . . .			02
78	6314160-45		. GUSSET . . . . .			01
79	S3528-5D		. ANCHOR ASSY . . . . .			02
80	6312000-31		. DOUBLER . . . . .			01
81	6312006-39		. DOUBLER . . . . .			01
82	6312000-15		. DOUBLER . . . . .			01
83	6312000-16		. ANGLE . . . . .	0001	0880	01 R
- 83A	6312000-35		. ANGLE . . . . .	0881	& ON	01 R
84	6312321-1		. CANTED FRAME FITTING-FWD . . . . .			01
85	6312322-1		. CANTED FRAME FITTING-MID . . . . .			01
			ATTACHING PARTS			
86	HL10VBJ5-2		. PIN-HI-LOK . . . . . V73197			08
87	HL70-5		. COLLAR-HI-LOK . . . . . V73197			08
- 87A	S3191-08		. NUT ALT FOR HL70-5 . . . . .			08 R
			—*—			
88	ASMS-A-T		. ANCHOR . . . . . V06383			04 R
- 88A	9654194-2		. ANCHOR ALT FOR ASMS-A-T . . . . .			04 R
89	6312012-13		. TAPERED SHIM . . . . .			02 R

- ITEM NOT ILLUSTRATED

CESSNA®  
**MODEL 525 (SERIALS -0685 AND -0800 AND ON)**  
 ILLUSTRATED PARTS CATALOG

A92350



TAILCONE STRUCTURE INSTALLATION  
 FIGURE 03 (SHEET 3)

6310T1168  
 A6312T1214  
 B6312T1214  
 C6312T1214  
 D6312T1214  
 E6312T1214  
 F6312T1214

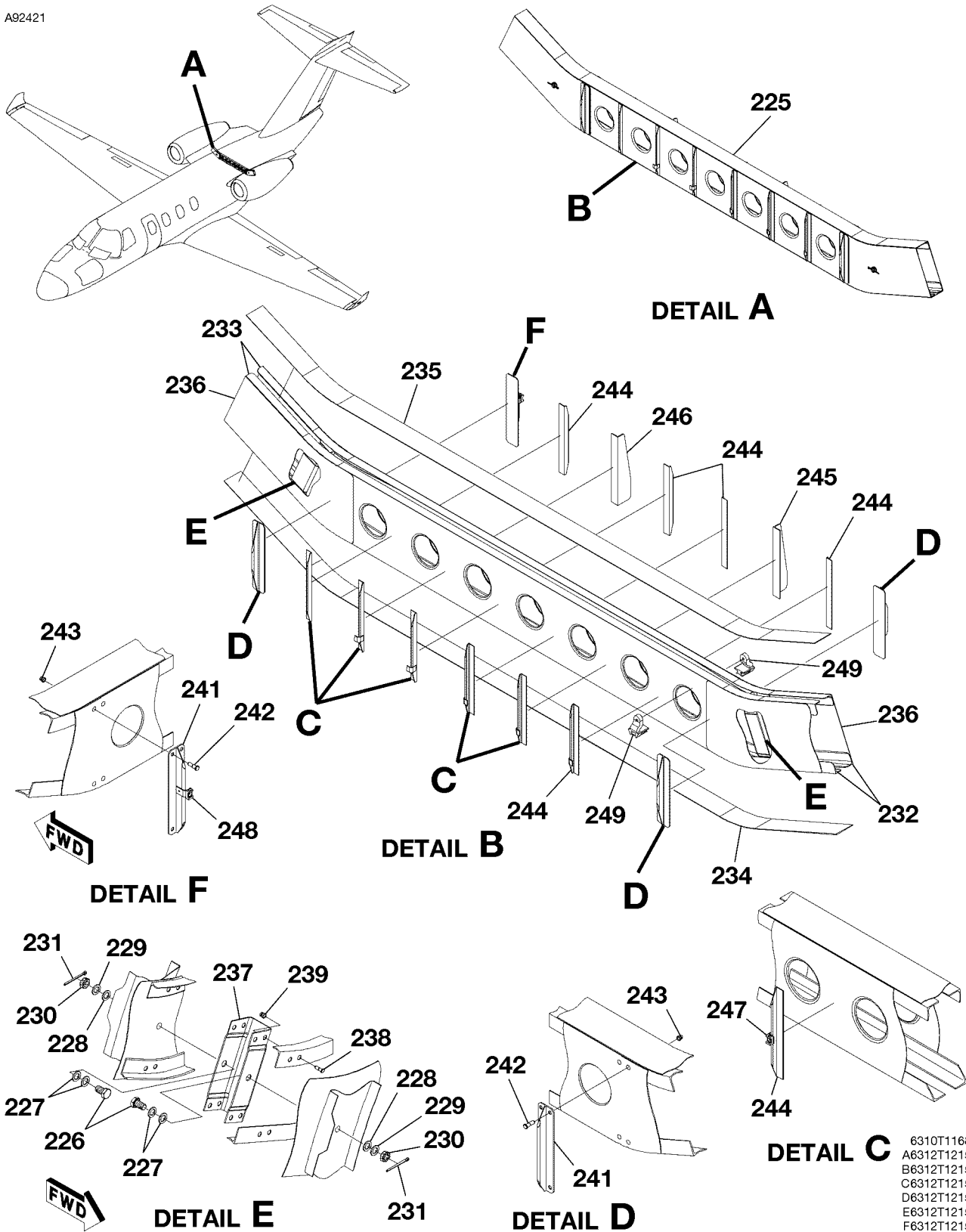
CESSNA®  
**MODEL 525 (SERIALS -0685 AND -0800 AND ON)**  
 ILLUSTRATED PARTS CATALOG

FIG ITEM	PART NUMBER	NOMENCLATURE	UNITS
			PER ASSY
		1 2 3 4 5 6 7	
03			
150	6312045-1	. ENGINE BEAM ASSY-FWD . . . . .	01
		. ATTACHING PARTS	
151	S3461-52	. BOLT . . . . .	04
152	NAS1149F0663P	. WASHER . . . . .	08
153	NAS1149F0632P	. WASHER . . . . .	AR
154	NAS1149F0616P	. WASHER . . . . .	AR
155	AN320-6	. NUT . . . . .	04
156	MS24665-289	. COTTER PIN . . . . .	04
		—*—	
157	6312045-28	. ANGLE . . . . .	02
158	6312045-29	. ANGLE . . . . .	02
		. ATTACHING PARTS	
159	HL11VBJ5-3	. PIN-HI-LOK . . . . . V73197	02
160	HL70-5	. COLLAR-HI-LOK . . . . . V73197	02
- 161	S3191-08	. NUT ALT FOR HL70-50 . . . . .	02
		—*—	
162	6312045-19	. CAP-LOWER . . . . .	01
163	6312045-18	. CAP-UPPER . . . . .	01
164	5512040-38	. STIFFENER . . . . .	12
165	6312045-3	. BONDED WEB ASSY . . . . .	02
166	6312045-23	. FILLER . . . . .	02
167	6312045-21	. FILLER . . . . .	02
168	6312045-24	. STRAP . . . . .	02
169	6312045-22	. STRAP . . . . .	02
170	6312045-20	. CHANNEL . . . . .	02
		. ATTACHING PARTS	
171	HL11VBJ5-4	. PIN-HI-LOK . . . . . V73197	08
172	HL70-5	. COLLAR-HI-LOK . . . . . V73197	08
- 173	S3191-08	. NUT ALT FOR HL70-50 . . . . .	08
		—*—	
174	6312045-9	. STIFFENER . . . . .	04
		. ATTACHING PARTS	
175	HL10VBJ5-4	. PIN-HI-LOK . . . . . V73197	04
176	HL70-5	. COLLAR-HI-LOK . . . . . V73197	04
- 177	S3191-08	. NUT ALT FOR HL70-50 . . . . .	04
		—*—	
178	6312045-27	. STIFFENER . . . . .	04
179	S3451B32	. PLUG BUTTON . . . . .	04
180	S3528-5D	. ANCHOR ASSY . . . . .	02
181	S4132-1	. ANCHOR . . . . .	04

- ITEM NOT ILLUSTRATED

CESSNA®  
**MODEL 525 (SERIALS -0685 AND -0800 AND ON)**  
 ILLUSTRATED PARTS CATALOG

A92421



TAILCONE STRUCTURE INSTALLATION  
 FIGURE 03 (SHEET 4)

- DETAIL C**
- 6310T1168
  - A6312T1215
  - B6312T1215
  - C6312T1215
  - D6312T1215
  - E6312T1215
  - F6312T1215

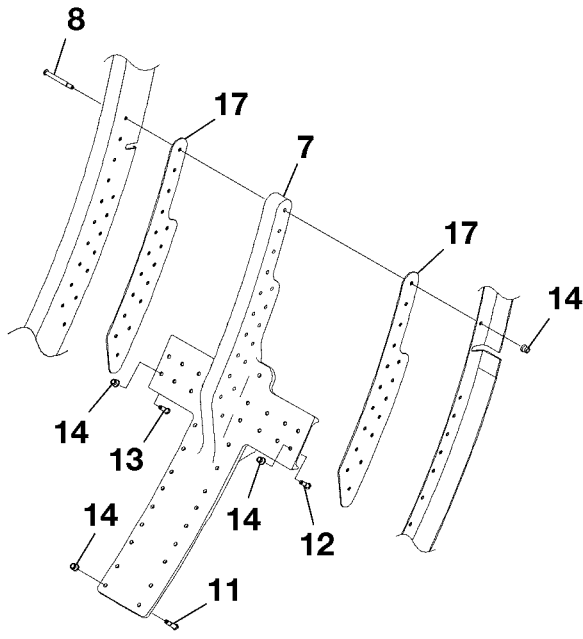
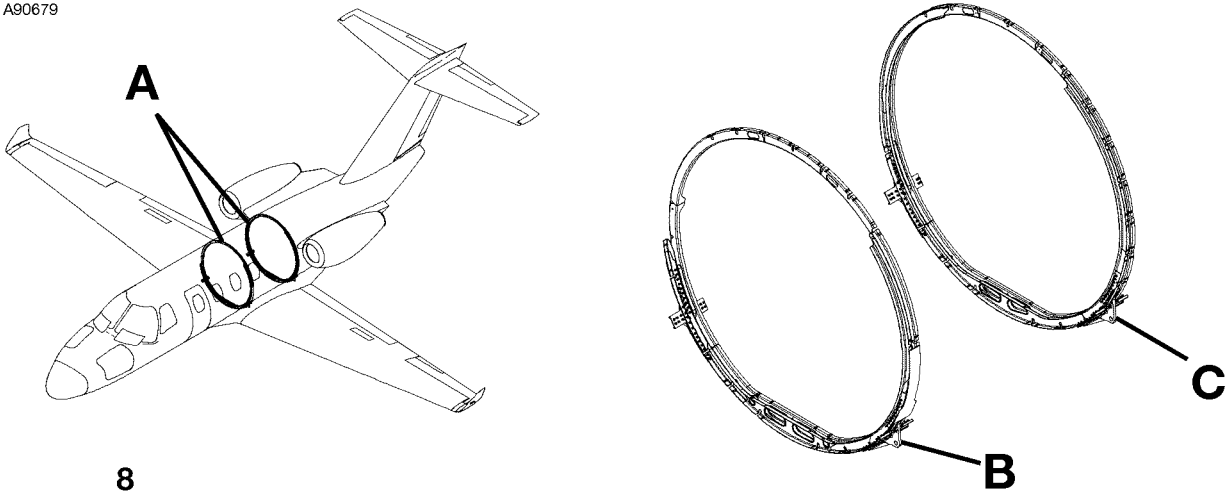
CESSNA®  
**MODEL 525 (SERIALS -0685 AND -0800 AND ON)**  
 ILLUSTRATED PARTS CATALOG

FIG ITEM	PART NUMBER	NOMENCLATURE	UNITS
			PER ASSY
03			
225	6312161-1	. ENGINE BEAM ASSY-AFT . . . . .	01
		. ATTACHING PARTS	
226	S3461-52	. BOLT . . . . .	04
227	NAS1149F0663P	. WASHER . . . . .	08
228	NAS1149F0632P	. WASHER . . . . .	AR
229	NAS1149F0616P	. WASHER . . . . .	AR
230	AN320-6	. NUT . . . . .	04
231	MS24665-289	. COTTER PIN . . . . .	04
		—*—	
232	6312055-16	. . ANGLE-LOWER . . . . .	02
233	6312055-15	. . ANGLE-UPPER . . . . .	02
234	6312055-13	. . CAP-LOWER . . . . .	01
235	6312055-12	. . CAP-UPPER . . . . .	01
236	6312055-2	. . BONDED WEB ASSY . . . . .	02
237	6312055-14	. . CHANNEL . . . . .	02
		. ATTACHING PARTS	
238	HL11VBJ5-4	. . PIN-HI-LOK . . . . . V73197	08
239	HL70-5	. . COLLAR-HI-LOK . . . . . V73197	08
- 240	S3191-08	. . NUT ALT FOR HL70-50 . . . . .	08
		—*—	
241	6312055-10	. . STIFFENER . . . . .	04
		. ATTACHING PARTS	
242	NAS7035H04	. . PIN . . . . .	04
243	NAS1080AG05	. . COLLAR . . . . .	04
		—*—	
244	6312055-9	. . STIFFENER . . . . .	10
245	6312055-17	. . BRACKET-LH . . . . .	01
246	6312055-18	. . BRACKET-RH . . . . .	01
247	6318015-69	. . ANCHOR ASSY . . . . .	05
248	S3528-5D	. . ANCHOR ASSY . . . . .	01
249	S4132-1	. . ANCHOR . . . . .	02

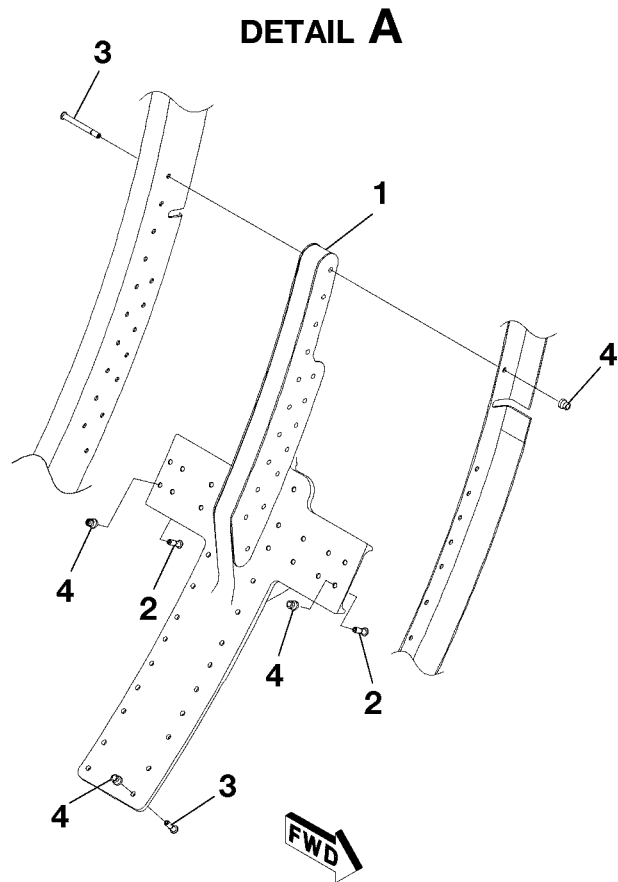
- ITEM NOT ILLUSTRATED

CESSNA®  
**MODEL 525 (SERIALS -0685 AND -0800 AND ON)**  
 ILLUSTRATED PARTS CATALOG

A90679



**DETAIL C**



**DETAIL B**

**DETAIL A**

FITTINGS - WING ATTACH  
 FIGURE 01 (SHEET 1)

6310T1168  
 A6310T1036  
 B6311T1009  
 C6311T1009



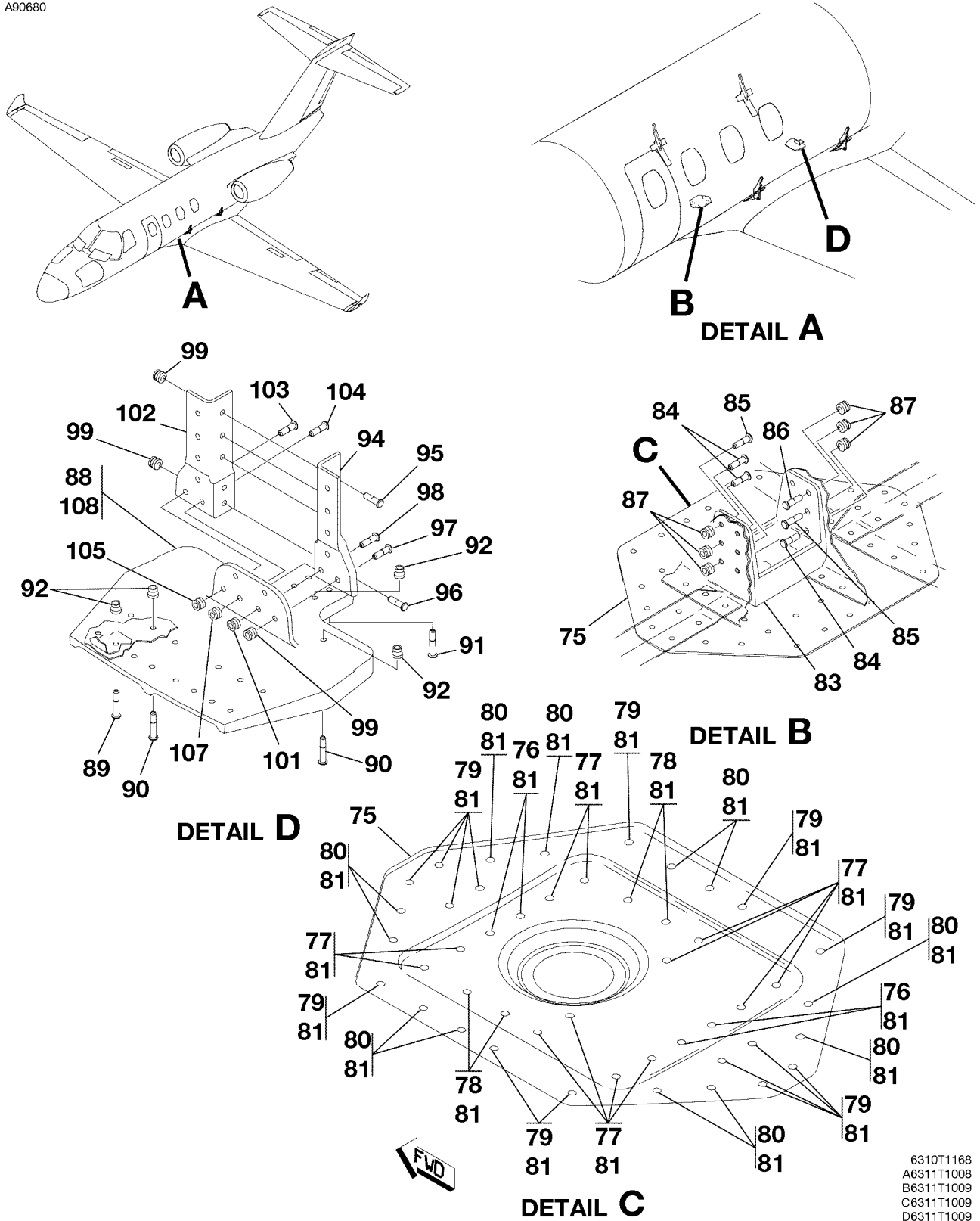
CESSNA®  
**MODEL 525 (SERIALS -0685 AND -0800 AND ON)**  
 ILLUSTRATED PARTS CATALOG

FIG ITEM	PART NUMBER	NOMENCLATURE	UNITS
			PER ASSY
		1 2 3 4 5 6 7	
01		FITTINGS - WING ATTACH	RF
-		. FITTING ASSY-FWD . . . . .	02
1	6311051-16	. ATTACHING PARTS	
2	HL10VBJ5-3	. PIN-HI-LOK . . . . . V73197	12
3	HL10VBJ5-7	. PIN-HI-LOK . . . . . V73197	41
4	HL70-5	. COLLAR-HI-LOK . . . . . V73197	53
- 5	S3191-08	. NUT-ALT FOR HL70-5 . . . . .	53
		—*—	
- 6	NAS75-10-016	. . BUSHING . . . . .	01
7	6311051-13	. FITTING ASSY-AFT . . . . .	02
		. ATTACHING PARTS	
8	HL10VBJ5-18	. PIN-HI-LOK-LH . . . . . V73197	17
- 9	HL10VBJ5-18	. PIN-HI-LOK-RH . . . . . V73197	16
- 10	HL10VBJ5-19	. PIN-HI-LOK-RH . . . . . V73197	01
11	HL10VBJ5-7	. PIN-HI-LOK . . . . . V73197	24
12	HL10VBJ5-4	. PIN-HI-LOK . . . . . V73197	06
13	HL10VBJ5-3	. PIN-HI-LOK . . . . . V73197	06
14	HL70-5	. COLLAR-HI-LOK . . . . . V73197	53
- 15	S3191-08	. NUT-ALT FOR HL70-5 . . . . .	53
		—*—	
- 16	NAS75-10-016	. . BUSHING . . . . .	01
17	6311051-2	. SHIM . . . . .	08

- ITEM NOT ILLUSTRATED

CESSNA®  
**MODEL 525 (SERIALS -0685 AND -0800 AND ON)**  
 ILLUSTRATED PARTS CATALOG

A90680



FITTINGS - WING ATTACH  
 FIGURE 01 (SHEET 2)

6310T1168  
 A6311T1008  
 B6311T1009  
 C6311T1009  
 D6311T1009

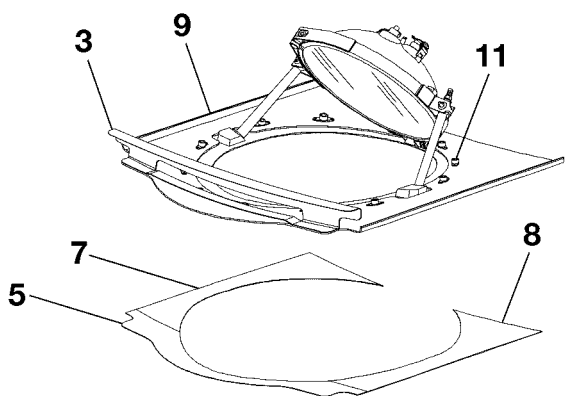
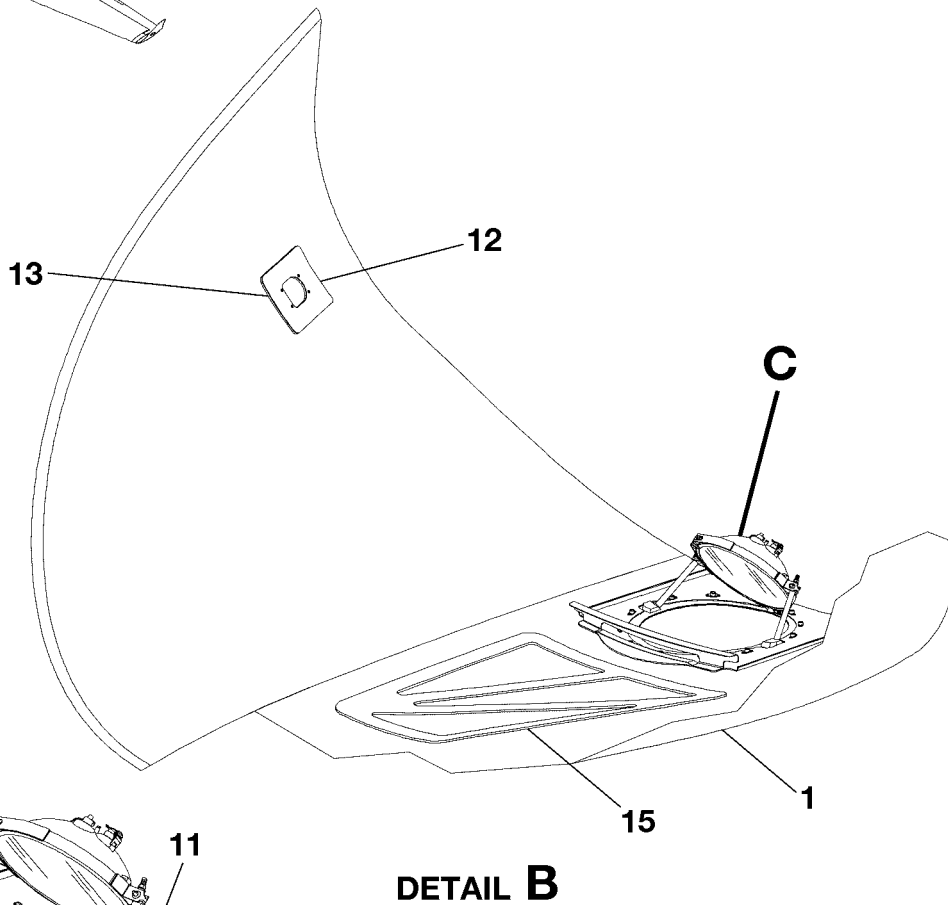
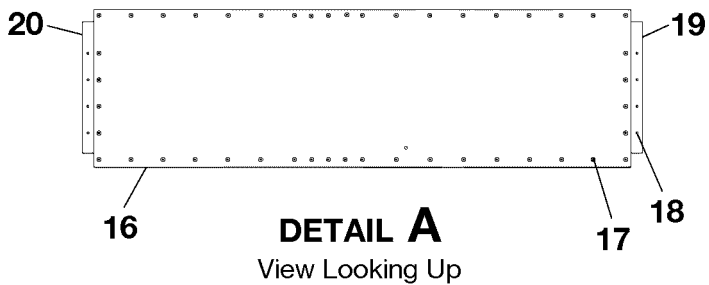
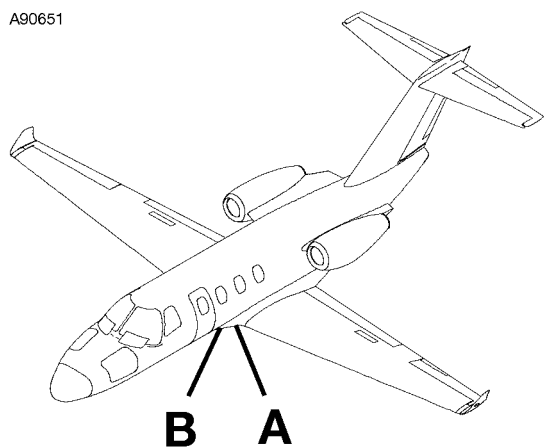
CESSNA®  
**MODEL 525 (SERIALS -0685 AND -0800 AND ON)**  
 ILLUSTRATED PARTS CATALOG

FIG ITEM	PART NUMBER	NOMENCLATURE	UNITS
			PER ASSY
		1 2 3 4 5 6 7	
01			
75	6311052-14	. CONE PLATE-FWD . . . . .	01
		ATTACHING PARTS	
76	HL10VBJ5-7	. PIN-HI-LOK . . . . . V73197	04
77	HL10VBJ5-6	. PIN-HI-LOK . . . . . V73197	12
78	HL10VBJ5-5	. PIN-HI-LOK . . . . . V73197	04
79	HL10VBJ5-4	. PIN-HI-LOK . . . . . V73197	14
80	HL10VBJ5-3	. PIN-HI-LOK . . . . . V73197	12
81	HL70-5	. COLLAR-HI-LOK . . . . . V73197	46
- 82	S3191-08	. NUT-ALT FOR HL70-5 . . . . .	46
		—*—	
83	6311052-5	. FRAME FITTING-FWD . . . . .	01
		ATTACHING PARTS	
84	HL10VBJ5-5	. PIN-HI-LOK . . . . . V73197	06
85	HL10VBJ5-4	. PIN-HI-LOK . . . . . V73197	04
86	HL10VBJ5-3	. PIN-HI-LOK . . . . . V73197	02
87	HL82-5ADW	. COLLAR-HI-LOK . . . . . V73197	12
		—*—	
88	6311052-6	. KEEL FITTING-AFT . . . . .	01
		ATTACHING PARTS	
89	HL10VBJ5-6	. PIN-HI-LOK . . . . . V73197	08
90	HL10VBJ5-5	. PIN-HI-LOK . . . . . V73197	08
91	HL10VBJ5-4	. PIN-HI-LOK . . . . . V73197	04
92	HL70-5	. COLLAR-HI-LOK . . . . . V73197	20
- 93	S3191-08	. NUT-ALT FOR HL70-5 . . . . .	20
		—*—	
94	6311312-3	. FITTING-LH LWR CTR . . . . .	01
		ATTACHING PARTS	
95	HL10VBJ5-5	. PIN-HI-LOK . . . . . V73197	04
96	HL10VBJ5-4	. PIN-HI-LOK . . . . . V73197	01
97	HL10VBJ5-9	. PIN-HI-LOK . . . . . V73197	02
98	HL10VBJ4-9	. PIN-HI-LOK . . . . . V73197	01
99	HL70-5	. COLLAR-HI-LOK . . . . . V73197	07
- 100	S3191-08	. NUT-ALT FOR HL70-5 . . . . .	07
101	HL97DU-4	. COLLAR-HI-LOK . . . . . V73197	01
		—*—	
102	6311312-17	. FITTING-RH LWR CTR . . . . .	01
		ATTACHING PARTS	
103	HL10VBJ5-9	. PIN-HI-LOK . . . . . V73197	02
104	HL10VBJ4-9	. PIN-HI-LOK . . . . . V73197	01
105	HL70-5	. COLLAR-HI-LOK . . . . . V73197	02
- 106	S3191-08	. NUT-ALT FOR HL70-5 . . . . .	02
107	HL97DU-4	. COLLAR-HI-LOK . . . . . V73197	01
		—*—	
108	6311052-13	. SHIM . . . . .	01

- ITEM NOT ILLUSTRATED

CESSNA®  
MODEL 525 (SERIALS -0685 AND -0800 AND ON)  
ILLUSTRATED PARTS CATALOG

A90651



FAIRINGS - FUSELAGE AERODYNAMIC  
FIGURE 02 (SHEET 1)

6310T1001  
A6310T1026  
B6311T1201  
C6311T1201

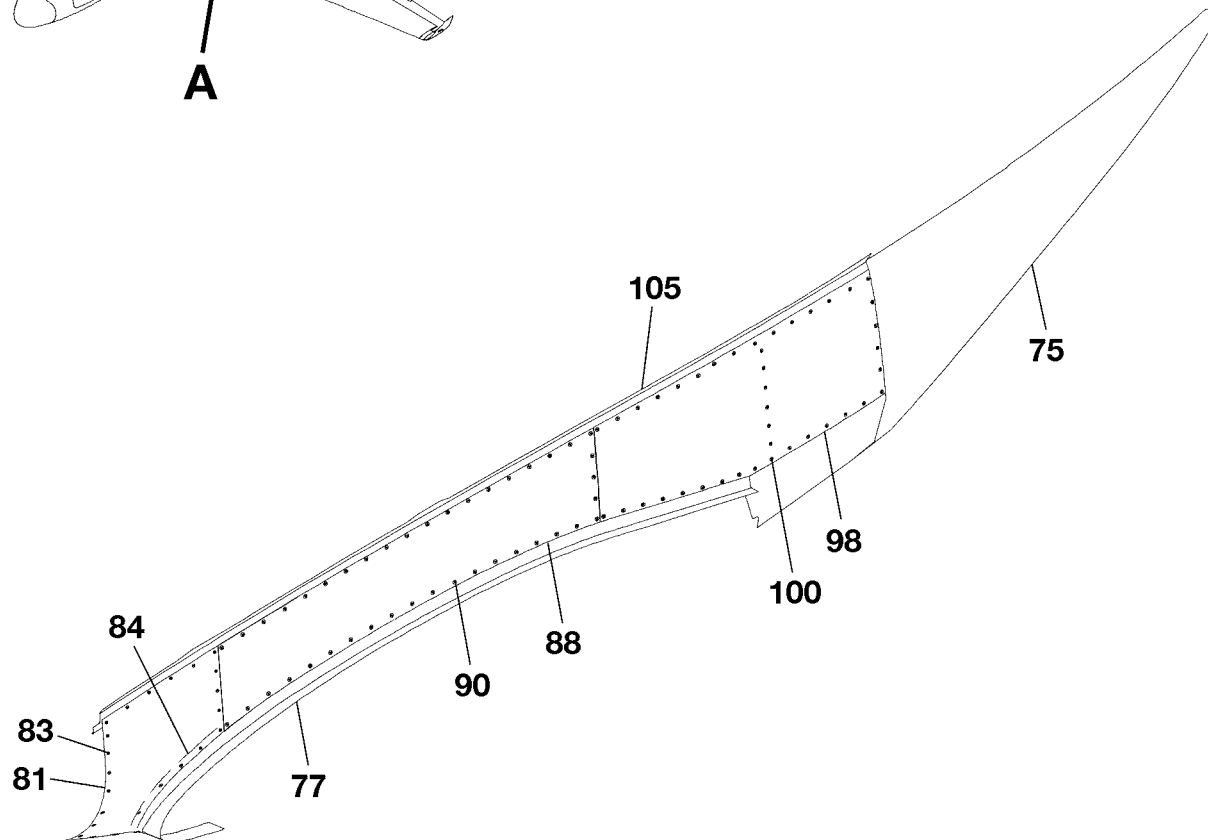
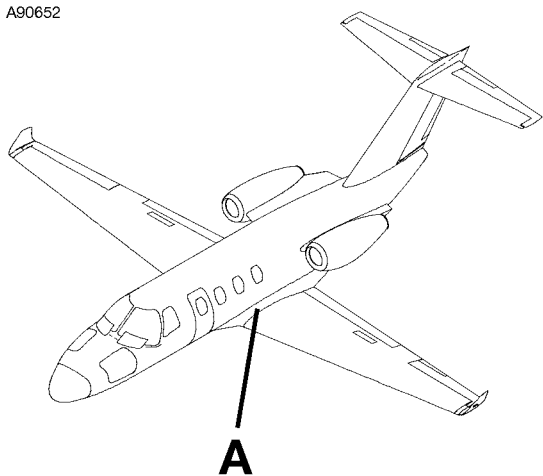
CESSNA®  
**MODEL 525 (SERIALS -0685 AND -0800 AND ON)**  
 ILLUSTRATED PARTS CATALOG

FIG ITEM	PART NUMBER	NOMENCLATURE	UNITS
			PER ASSY
02		FAIRINGS - FUSELAGE AERODYNAMIC	RF
-			
1	6310128-21	. FAIRING-LH FWD . . . . .	01
- 2	6310128-20	. FAIRING-RH FWD . . . . .	01
3	6310136-15	. CHANNEL-LH . . . . .	01
- 4	6310136-16	. CHANNEL-RH . . . . .	01
5	6310136-13	. SPACER-LH FWD . . . . .	01
- 6	6310136-14	. SPACER-RH FWD . . . . .	01
7	6310136-18	. SPACER . . . . .	02
8	6310136-17	. SPACER-OUTBD . . . . .	02
9	6310136-11	. DOUBLER-LH . . . . .	01
- 10	6310136-12	. DOUBLER-RH . . . . .	01
11	MS21075L08E	. NUTPLATE . . . . .	24
12	6310128-18	. SHIM . . . . .	01
13	6310128-22	. DOUBLER ASSY . . . . .	01
- 14	MS21069L06	. . NUTPLATE . . . . .	04
15	6310128-23	. FAIRING DOUBLER . . . . .	02
16	6310132-10	. FAIRING BOND ASSY . . . . .	01
		ATTACHING PARTS	
17	S3455-S5	. SCREW . . . . .	46
18	MS21059L08	. NUTPLATE . . . . .	16
		—*—	
19	6310132-7	. CHANNEL-LH SPLICE . . . . .	01
20	6310132-8	. CHANNEL-RH SPLICE . . . . .	01

- ITEM NOT ILLUSTRATED

CESSNA®  
MODEL 525 (SERIALS -0685 AND -0800 AND ON)  
ILLUSTRATED PARTS CATALOG

A90652



**DETAIL A**

FAIRINGS - FUSELAGE AERODYNAMIC  
FIGURE 02 (SHEET 2)

6310T1168  
A6311T1221

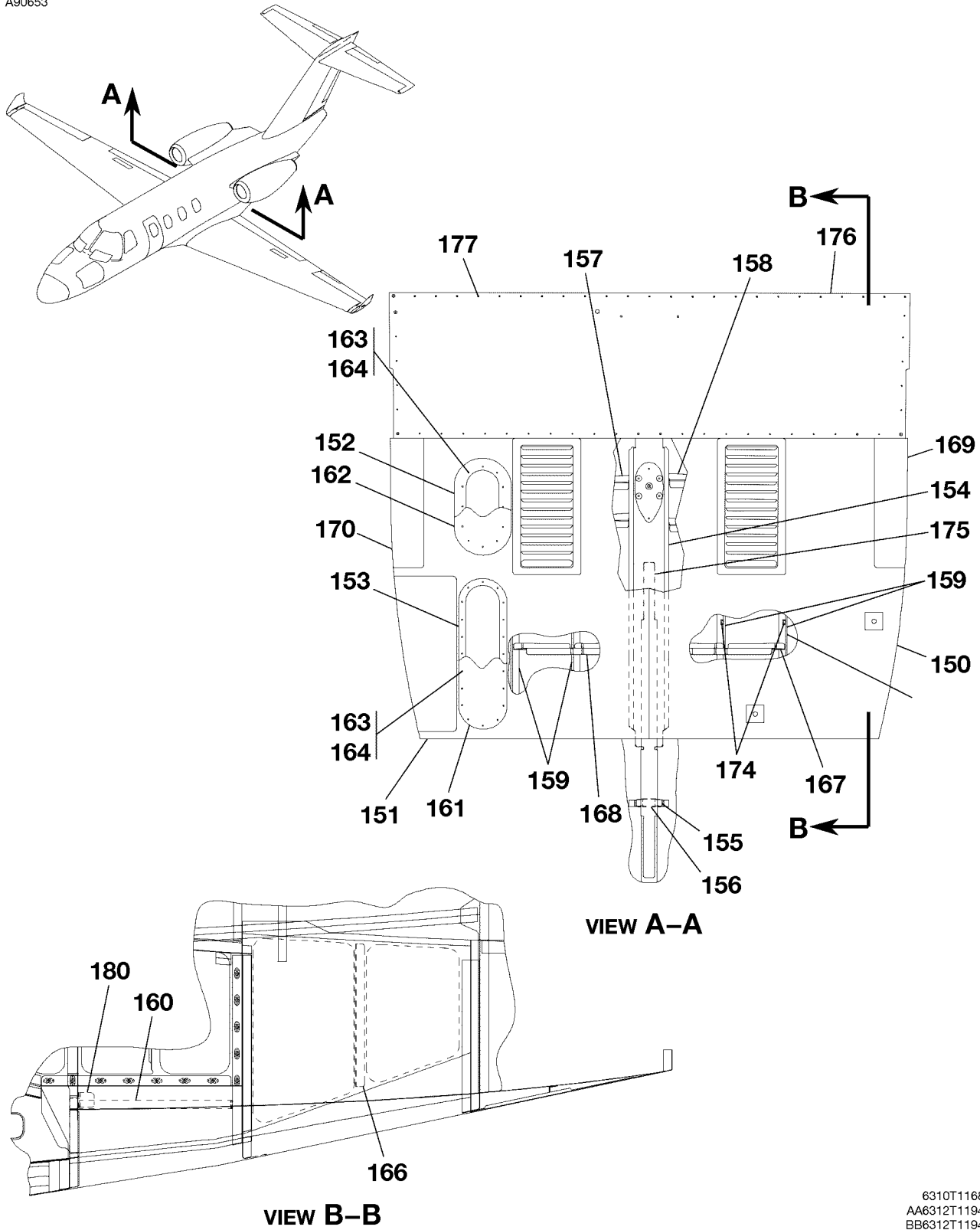
CESSNA®  
**MODEL 525 (SERIALS -0685 AND -0800 AND ON)**  
 ILLUSTRATED PARTS CATALOG

FIG ITEM	PART NUMBER	NOMENCLATURE	UNITS
			PER ASSY
02			
75	6310134-15	. FAIRING BOND ASSY-LH . . . . .	01
- 76	6310134-16	. FAIRING BOND ASSY-RH . . . . .	01
77	6310130-51	. ANGLE ASSY-LH LWR . . . . .	01
- 78	6310130-52	. ANGLE ASSY-RH LWR . . . . .	01
- 79	MS21059L08	. . NUTPLATE . . . . .	24
- 80	MS21061L08	. . NUTPLATE . . . . .	05
81	6310131-17	. FILLET FAIRING-LH . . . . .	01
- 82	6310131-18	. FILLET FAIRING-RH . . . . .	01
		ATTACHING PARTS	
83	S3455-S4	. SCREW . . . . .	33
		—*—	
84	6310131-19	. ANGLE ASSY-LH . . . . .	01
- 85	6310131-20	. ANGLE ASSY-RH . . . . .	01
- 86	MS21059L08	. . NUTPLATE . . . . .	07
- 87	MS21061L08	. . NUTPLATE . . . . .	01
88	6310130-45	. FAIRING PANEL ASSY-LH . . . . .	01
- 89	6310130-46	. FAIRING PANEL ASSY-RH . . . . .	01
		ATTACHING PARTS	
90	S3455-S4	. SCREW . . . . .	41
		—*—	
- 91	6310130-10	. . SPLICE ANGLE . . . . .	01
- 92	MS21059L08	. . NUTPLATE . . . . .	03
- 93	6310130-31	. . FAIRING PANEL BOND ASSY-LH . . . . .	01
- 94	6310130-32	. . FAIRING PANEL BOND ASSY-RH . . . . .	01
- 95	6310130-27	. . SHIM-RH . . . . .	01
- 96	6310130-30	. . DOUBLER ASSY-RH . . . . .	01
- 97	MS21069L06	. . NUTPLATE . . . . .	04
98	6310130-53	. FAIRING PANEL ASSY-LH . . . . .	01
- 99	6310130-54	. FAIRING PANEL ASSY-RH . . . . .	01
		ATTACHING PARTS	
100	S3455-S4	. SCREW . . . . .	42
		—*—	
- 101	6310130-11	. . SPLICE ANGLE . . . . .	01
- 102	MS21059L08	. . NUTPLATE . . . . .	03
- 103	6310130-33	. . FAIRING PANEL BOND ASSY-LH . . . . .	01
- 104	6310130-34	. . FAIRING PANEL BOND ASSY-RH . . . . .	01
105	6310130-21	. ANGLE ASSY-LH UPR . . . . .	01
- 106	6310130-22	. ANGLE ASSY-RH UPR . . . . .	01
- 107	S1741-1	. . ANCHOR . . . . .	07
- 108	MS21059L08	. . NUTPLATE . . . . .	34
- 109	MS21061L08	. . NUTPLATE . . . . .	06

- ITEM NOT ILLUSTRATED

CESSNA®  
**MODEL 525 (SERIALS -0685 AND -0800 AND ON)**  
 ILLUSTRATED PARTS CATALOG

A90653



FAIRINGS - FUSELAGE AERODYNAMIC  
 FIGURE 02 (SHEET 3)

6310T1168  
 AA6312T1194  
 BB6312T1194



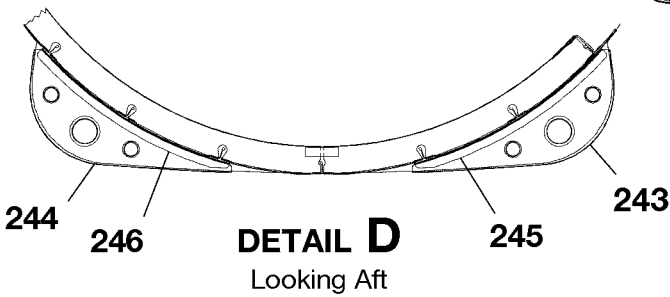
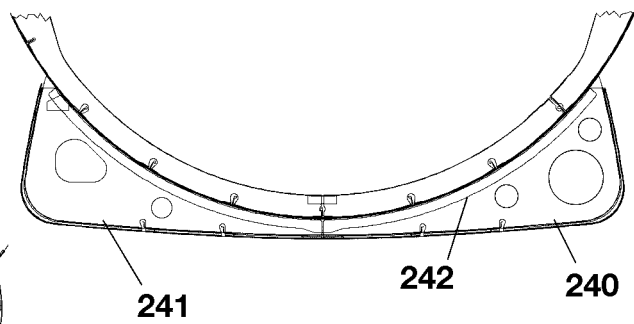
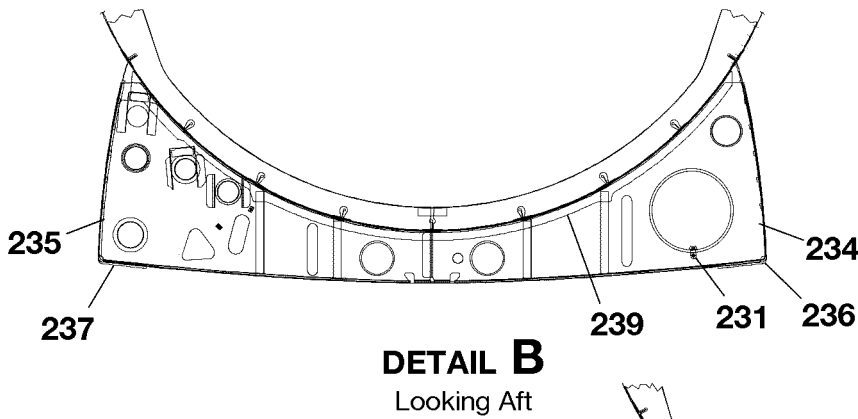
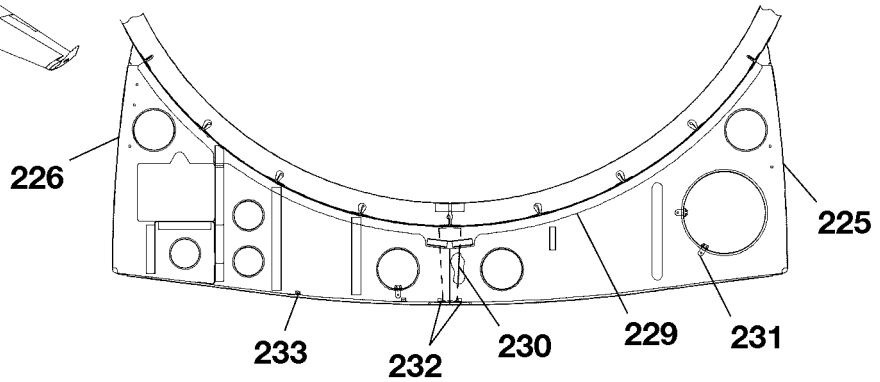
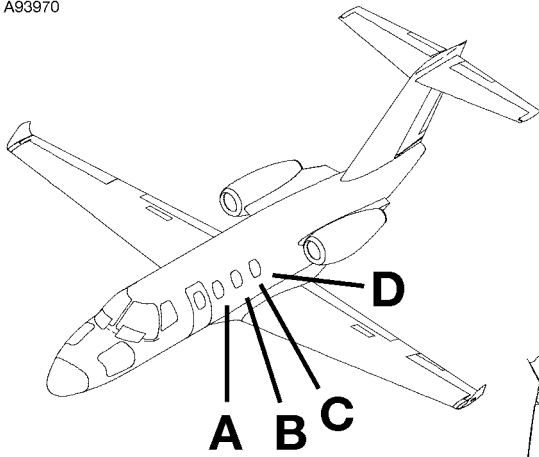
CESSNA®  
**MODEL 525 (SERIALS -0685 AND -0800 AND ON)**  
 ILLUSTRATED PARTS CATALOG

FIG ITEM	PART NUMBER	NOMENCLATURE	UNITS
			PER ASSY
02			
150	6310129-29	. FAIRING BOND ASSY-LH . . . . .	01
151	6310129-28	. FAIRING BOND ASSY-RH . . . . .	01
152	6310129-22	. DOUBLER-RH . . . . .	01
153	6310129-23	. DOUBLER-RH . . . . .	01
154	6310129-32	. SPLICE CHANNEL . . . . .	01
155	6310129-24	. ANGLE . . . . .	01
156	6310129-25	. ANGLE . . . . .	01
157	6310129-26	. STIFFENER . . . . .	02
158	6310129-33	. STIFFENER . . . . .	02
159	6310129-34	. STIFFENER . . . . .	04
160	6310129-37	. STIFFENER . . . . .	01
161	6310129-19	. ACCESS PANEL . . . . .	01
162	6310129-21	. ACCESS PANEL . . . . . ATTACHING PARTS	01
163	S3455-S4	. SCREW . . . . .	32
164	MS21049L08K	. NUTPLATE . . . . .	32
- 165	NAS681A08K	. NUTPLATE-ALT FOR MS21049L08K . . . . . —*—	32
166	6310129-13	. STIFFENER . . . . .	01
167	6310129-39	. STIFFENER . . . . .	01
168	6310129-40	. STIFFENER . . . . .	01
169	6310129-5	. PANEL ASSY-LH . . . . .	01
170	6310129-4	. PANEL ASSY-RH . . . . .	01
- 171	6310129-9	. STRAP SPLICE . . . . .	01
- 172	6310129-10	. STRAP SPLICE . . . . .	01
- 173	MS21059L08	. NUTPLATE . . . . .	06
174	MS3341-2-9	. MOUNT . . . . .	02
175	6310128-19	. SPLICE . . . . .	01
176	6310133-9	. FAIRING ASSY . . . . . ATTACHING PARTS	01
177	S3455-S5	. SCREW . . . . . —*—	59
- 178	MS21059L08	. NUTPLATE . . . . .	23
- 179	MS21061L08	. NUTPLATE . . . . .	02
180	6310129-38	. CLIP . . . . .	01

- ITEM NOT ILLUSTRATED

CESSNA®  
**MODEL 525 (SERIALS -0685 AND -0800 AND ON)**  
 ILLUSTRATED PARTS CATALOG

A93970



6310T1168  
 A6311T1238  
 B6311T1238  
 C6311T1238  
 D6311T1238

FAIRINGS - FUSELAGE AERODYNAMIC  
 FIGURE 02 (SHEET 4)

CESSNA®  
**MODEL 525 (SERIALS -0685 AND -0800 AND ON)**  
 ILLUSTRATED PARTS CATALOG

FIG ITEM	PART NUMBER	NOMENCLATURE	UNITS
			PER ASSY
		1 2 3 4 5 6 7	
02			
225	6310124-11	. FRAME ASSY-LH . . . . .	01
226	6310124-12	. FRAME ASSY-RH . . . . .	01
- 227	MS21059L08	. . NUTPLATE . . . . .	17
- 228	6310124-2	. . DOUBLER-RH . . . . .	01
229	6310124-15	. ATTACH ANGLE . . . . .	01
230	6310124-7	. SPLICE . . . . .	01
231	S4132-1	. ANCHOR . . . . .	06
232	MS21069L08	. NUTPLATE . . . . .	02
233	S3529-1B1	. ANCHOR ASSY . . . . .	02
234	6310125-9	. FRAME-LH . . . . .	01
235	6310125-15	. FRAME-RH . . . . .	01
236	6310125-5	. DOUBLER ASSY-LH . . . . .	01
237	6310125-6	. DOUBLER ASSY-RH . . . . .	01
- 238	MS21059L08	. . NUTPLATE . . . . .	05
239	6310125-14	. ATTACH ANGLE . . . . .	01
240	6310126-7	. FRAME-LH . . . . .	01
241	6310126-10	. FRAME-RH . . . . .	01
242	6310126-2	. ANGLE . . . . .	01
243	6310127-7	. FRAME-LH . . . . .	01
244	6310127-8	. FRAME-RH . . . . .	01
245	6310127-3	. FRAME SUPPORT-LH . . . . .	01
246	6310127-4	. FRAME SUPPORT-RH . . . . .	01

- ITEM NOT ILLUSTRATED



**CHAPTER**

**54**

**NACELLES/ PYLONS**



CESSNA®  
**MODEL 525 (SERIALS -0685 AND -0800 AND ON)**  
ILLUSTRATED PARTS CATALOG

<b>CHAPTER SECTION SUBJECT</b>		<b>NUMBER OF PAGES</b>	<b>DATE</b>
54 - TITLE			
54 - LIST OF EFFECTIVE PAGES			
54 - RECORD OF TEMPORARY REVISIONS			
54 - TABLE OF CONTENTS			
54-10-00	Figure 01	2	Nov 1/2013
54-50-00	Figure 01	2	Nov 1/2013
54-50-00	Figure 02	2	Nov 1/2013
54-50-01	Figure 01	2	Nov 1/2013
54-60-00	Figure 01	2	Nov 1/2013







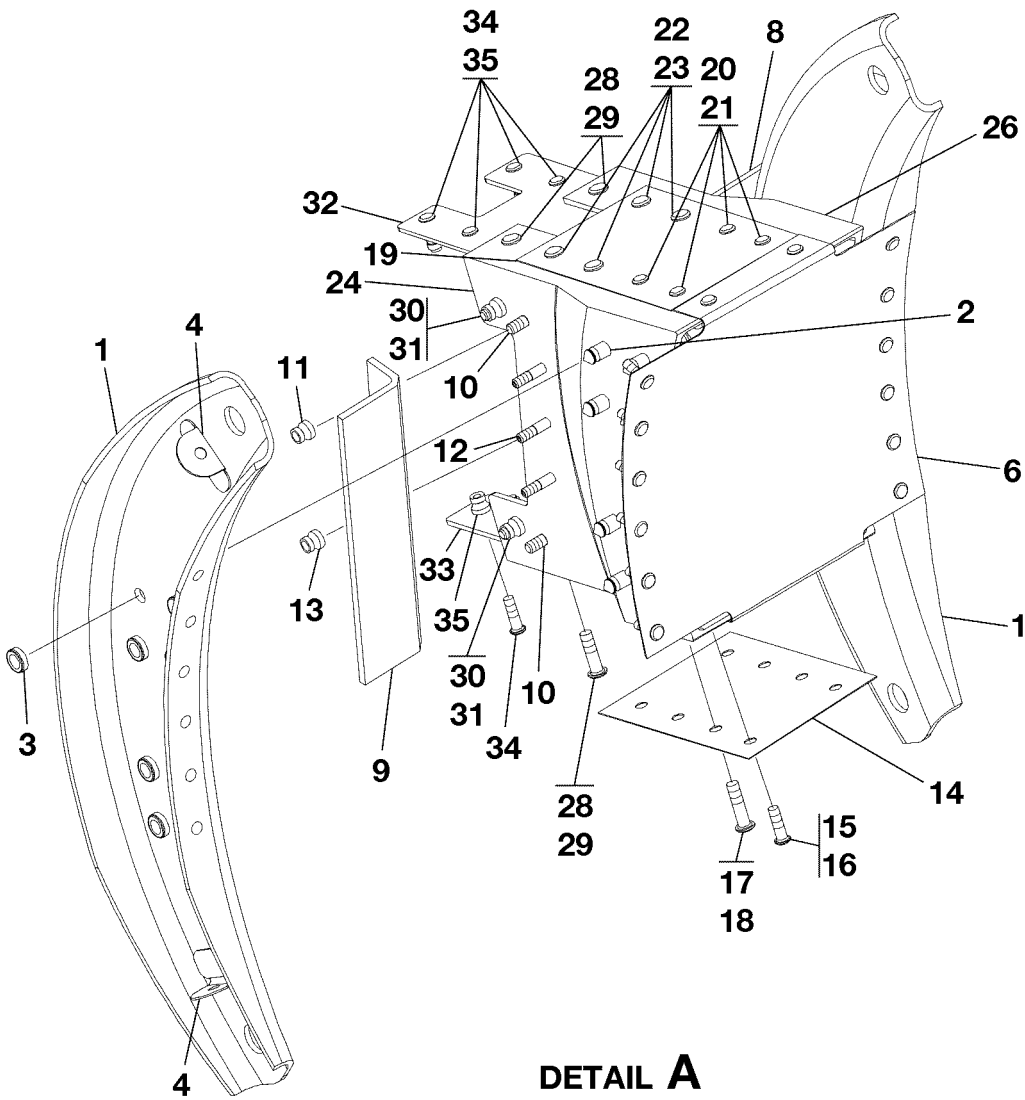
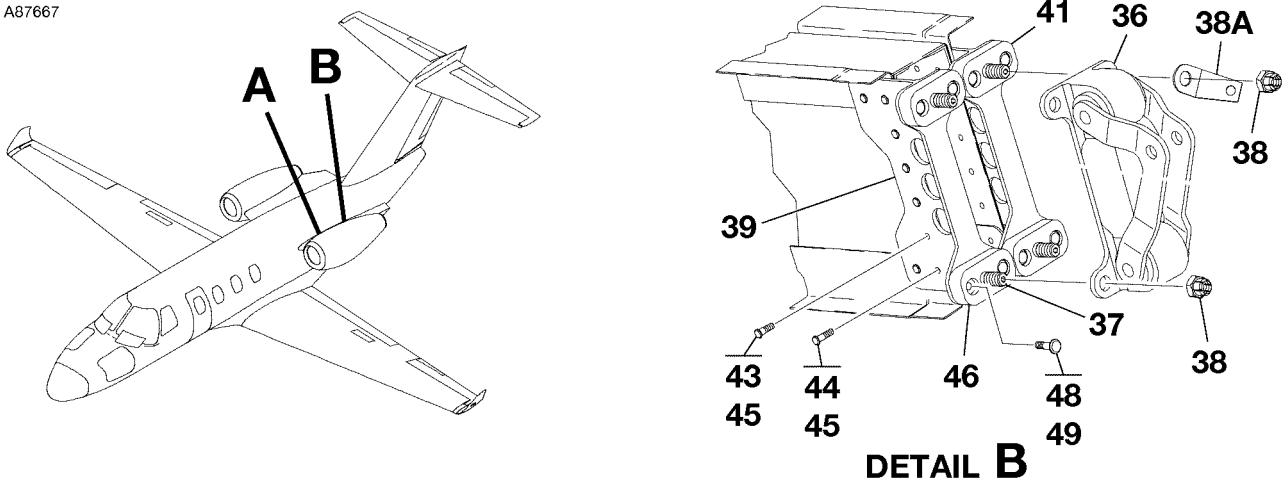


CESSNA®  
**MODEL 525 (SERIALS -0685 AND -0800 AND ON)**  
ILLUSTRATED PARTS CATALOG

<u>SUBJECT</u>	<u>CHAPTER</u>	<u>FIGURE</u>	<u>EFFECTIVITY</u>	
	<u>SECTION</u>		<u>START</u>	<u>END</u>
	<u>SUBJECT</u>			
ENGINE/NACELLE ATTACH FITTINGS	54-10-00	01		
PYLON STRUCTURE INSTALLATION	54-50-00	01		
PYLON ACCESS PANELS AND RAM AIR DUCT	54-50-00	02		
ENGINE PYLON FIREWALL ASSEMBLY	54-50-01	01		
PYLON SKINS	54-60-00	01		

CESSNA®  
**MODEL 525 (SERIALS -0685 AND -0800 AND ON)**  
 ILLUSTRATED PARTS CATALOG

A87667



ENGINE/NACELLE ATTACH FITTINGS  
 FIGURE 01 (SHEET 1)

6310T1168  
 A6351T1010  
 B6351T1001

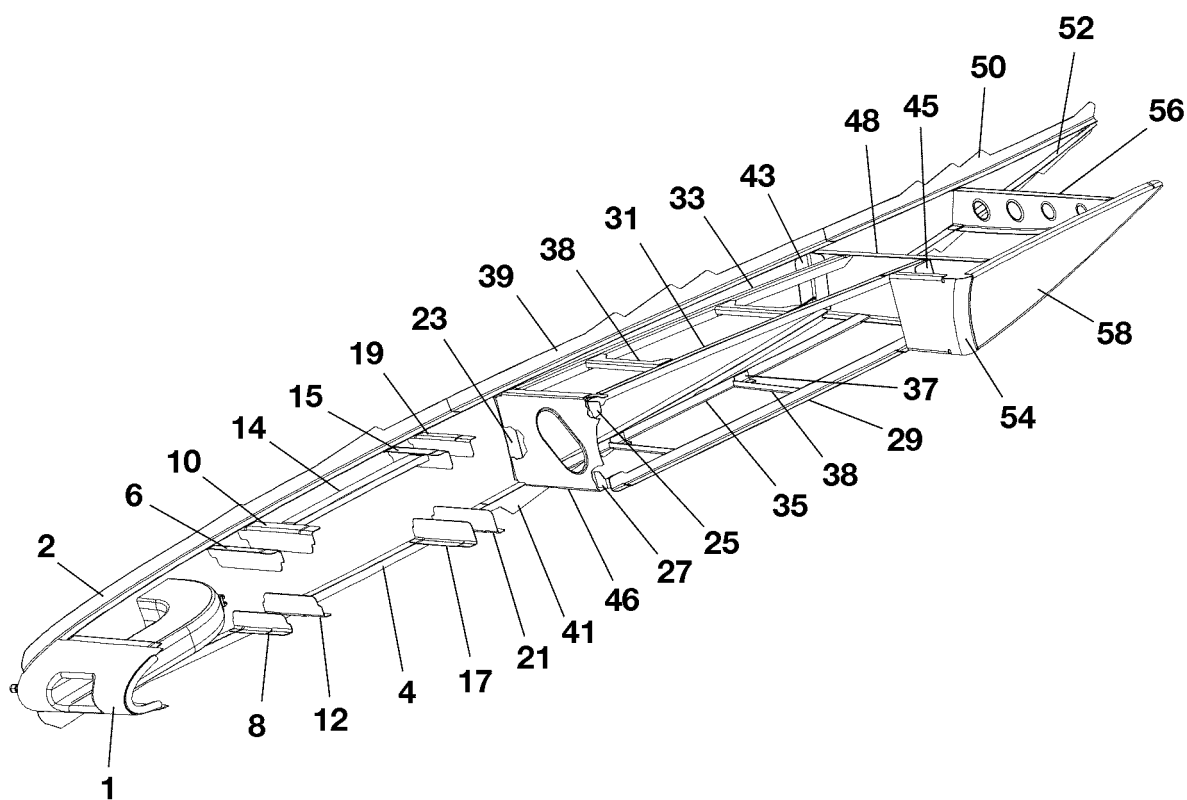
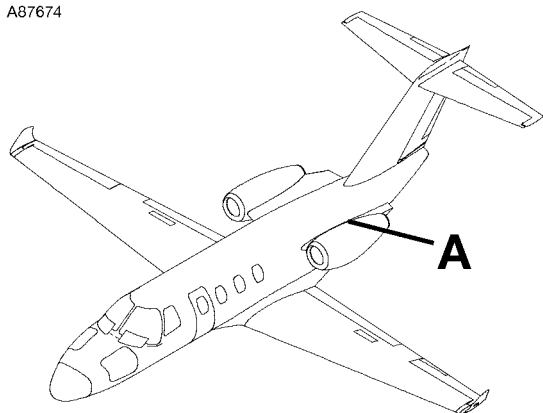
CESSNA®  
**MODEL 525 (SERIALS -0685 AND -0800 AND ON)**  
 ILLUSTRATED PARTS CATALOG

FIG ITEM	PART NUMBER	NOMENCLATURE	UNITS	
			PER	ASSY
		1 2 3 4 5 6 7		
01		ENGINE/NACELLE ATTACH FITTINGS		RF
- 1	6354100-7	. CHANNEL-LH AND RH MOUNT . . . . .		04
		. ATTACHING PARTS		
2	NAS7038-04	. PIN . . . . .		08
3	NAS1080UK08	. COLLAR . . . . .		08
		—*—		
4	6551271-63	. LOCK WIRE BRACKET . . . . .		08
- 5	DDA06549-1	. SHIM-RH REF 6351000 REFER TO NOTE 1 . . . . .	0801 0801	01
6	6351001-5	. FIRE SHIELD-LH OUTBD . . . . .		01
- 7	6351001-6	. FIRE SHIELD-RH OUTBD . . . . .		01
8	6312204-61	. ANGLE-AFT . . . . .		02
9	6312204-62	. ANGLE-FWD . . . . .		02
		. ATTACHING PARTS		
10	HL20PB6-6	. PIN-HI-LOK . . . . . V73197		02
11	HL86-6	. COLLAR-HI-LOK . . . . . V73197		02
12	HL20PB5-5	. PIN-HI-LOK . . . . . V73197		03
13	HL86-5	. COLLAR-HI-LOK . . . . . V73197		03
		—*—		
14	6354100-13	. SHIELD-LWR . . . . .		02
		. ATTACHING PARTS		
15	HL18PB5-4	. PIN-HI-LOK . . . . . V73197		02
16	HL70-5	. COLLAR-HI-LOK . . . . . V73197		02
17	HL18PB6-7	. PIN-HI-LOK . . . . . V73197		06
18	HL70-6	. COLLAR-HI-LOK . . . . . V73197		06
		—*—		
19	6354100-12	. SHIELD-UPR . . . . .		02
		. ATTACHING PARTS		
20	HL18PB5-4	. PIN-HI-LOK . . . . . V73197		04
21	HL70-5	. COLLAR-HI-LOK . . . . . V73197		04
22	HL18PB6-7	. PIN-HI-LOK . . . . . V73197		04
23	HL70-6	. COLLAR-HI-LOK . . . . . V73197		04
		—*—		
24	6351001-1	. CUFF-LH FWD . . . . .		01
- 25	6351001-2	. CUFF-RH FWD . . . . .		01
26	6351001-3	. CUFF-LH AFT . . . . .		01
- 27	6351001-4	. CUFF-RH AFT . . . . .		01
		. ATTACHING PARTS		
28	HL18PB-6-6	. PIN-HI-LOK . . . . . V73197		02
29	HL70-6	. COLLAR-HI-LOK . . . . . V73197		02
30	HL20PB6-4	. PIN-HI-LOK . . . . . V73197		02
31	HL86-6	. COLLAR-HI-LOK . . . . . V73197		02
		—*—		
32	6354100-8	. SPACER-UPR . . . . .		02
33	6354100-9	. SPACER-LWR . . . . .		02
		. ATTACHING PARTS		
34	HL18PB-5-4	. PIN-HI-LOK . . . . . V73197		04
35	HL70-5	. COLLAR-HI-LOK . . . . .		04
		—*—		
36	9912410-2	. MOUNT ISOLATORS-ENGINE-LH AND RH AFT . . . . .		02
		. ATTACHING PARTS		
37	HL12VBJ12-8	. PIN . . . . . V73197		04
38	MS21043-6	. NUT . . . . .		04
		—*—		
38A	6350500-3	. JUMPER BRACKET . . . . .		02
39	6312259-1	. MOUNTING TEE-LH FWD . . . . .		01
- 40	6312259-2	. MOUNTING TEE-RH FWD . . . . .		01
41	6312259-3	. MOUNTING TEE-LH AFT . . . . .		01
- 42	6312259-4	. MOUNTING TEE-RH AFT . . . . .		01
		. ATTACHING PARTS		
43	HL10VBJ5-3	. PIN . . . . . V73197		04
44	HL10VBJ5-4	. PIN . . . . . V73197		04
45	HL70-5	. COLLAR . . . . . V73197		08
		—*—		
46	6312259-7	. ADAPTER BLOCK-FWD . . . . .		04
- 47	6312259-8	. ADAPTER BLOCK-AFT . . . . .		04
		. ATTACHING PARTS		
48	HL12VBJ6-8	. PIN . . . . . V73197		02
49	HL86DU6	. COLLAR . . . . . V73197		02
		—*—		

NOTE 1—WHEN ORDERING DDA PART NUMBERS, ALSO PROVIDE REFERENCE DRAWING NUMBER SHOWN IN NOMENCLATURE COLUMN

CESSNA®  
MODEL 525 (SERIALS -0685 AND -0800 AND ON)  
ILLUSTRATED PARTS CATALOG

A87674



**DETAIL A**

PYLON STRUCTURE INSTALLATION  
FIGURE 01 (SHEET 1)

6310T1168  
A6354T1039

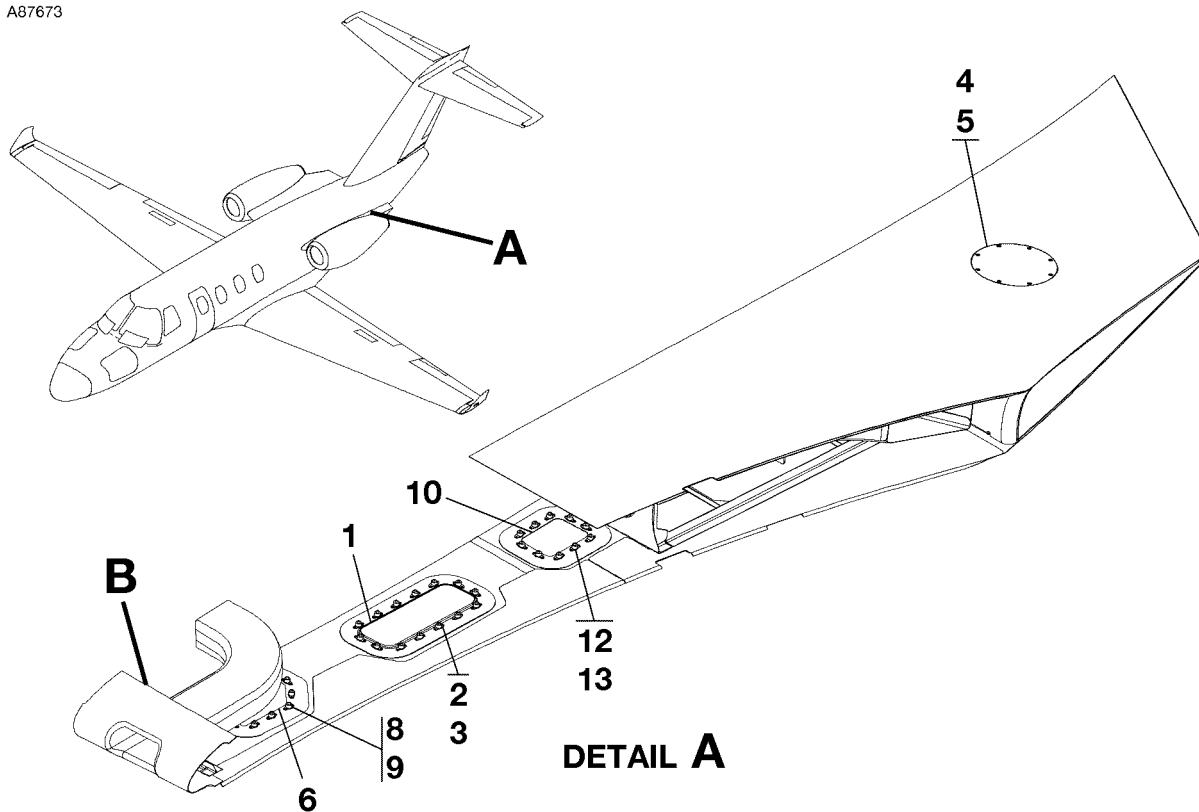
CESSNA®  
**MODEL 525 (SERIALS -0685 AND -0800 AND ON)**  
 ILLUSTRATED PARTS CATALOG

FIG ITEM	PART NUMBER	NOMENCLATURE	UNITS
			PER ASSY
01		PYLON STRUCTURE INSTALLATION	RF
-		. RAM AIR DUCT ASSY-REFER TO 54-50-00 FIGURE 02	RF
1		. ATTACH ANGLE-LH FWD UPR	01
2	6312274-1	. ATTACH ANGLE-RH FWD UPR	01
3	6312274-2	. ATTACH ANGLE-LH FWD LWR	01
4	6312274-3	. ATTACH ANGLE-RH FWD LWR	01
5	6312274-4	. ANGLE-LH FWD UPR	01
6	6312274-15	. ANGLE-RH FWD UPR	01
7	6312274-16	. ANGLE-LH FWD LWR	01
8	6312274-13	. ANGLE-RH FWD LWR	01
9	6312274-14	. ANGLE-LH FWD UPR	01
10	6312274-19	. ANGLE-RH FWD UPR	01
11	6312274-20	. ANGLE-LH FWD LWR	01
12	6312274-17	. ANGLE-RH FWD LWR	01
13	6312274-18	. STIFFENER-UPR	02
14	6312274-29	. ANGLE-LH AFT UPR	01
15	6312274-23	. ANGLE-RH AFT UPR	01
16	6312274-24	. ANGLE-LH AFT LWR	01
17	6312274-21	. ANGLE-RH AFT LWR	01
18	6312274-22	. ANGLE-LH AFT UPR	01
19	6312274-27	. ANGLE-RH AFT UPR	01
20	6312274-28	. ANGLE-LH AFT LWR	01
21	6312274-25	. ANGLE-RH AFT LWR	01
22	6312274-26	. BULKHEAD ANGLE-LH FWD	01
23	6312266-31	. BULKHEAD ANGLE-RH FWD	01
24	6312266-32	. ANGLE-LH FWD UPR	01
25	6312703-13	. ANGLE-RH FWD UPR	01
26	6312703-14	. ANGLE-LH FWD LWR	01
27	6312703-15	. ANGLE-RH FWD LWR	01
28	6312703-16	. ANGLE-LH UPR OUTBD	01
29	6312266-41	. ANGLE-RH UPR OUTBD	01
30	6312266-42	. ANGLE-LH LWR OUTBD	01
31	6312266-37	. ANGLE-RH LWR OUTBD	01
32	6312266-38	. ANGLE-LH UPR INBD	01
33	6312266-43	. ANGLE-RH UPR INBD	01
34	6312266-44	. ANGLE-LH LWR INBD	01
35	6312266-39	. ANGLE-RH LWR INBD	01
36	6312266-40	. CLIP	16
37	6312203-51	. STIFFENER	08
38	6312203-50	. ATTACH ANGLE-LH MID UPR	01
39	6312274-5	. ATTACH ANGLE-RH MID UPR	01
40	6312274-6	. ATTACH ANGLE-LH MID LWR	01
41	6312274-7	. ATTACH ANGLE-RH MID LWR	01
42	6312274-8	. BULKHEAD ANGLE-LH AFT	01
43	6312266-57	. BULKHEAD ANGLE-RH AFT	01
44	6312266-58	. ANGLE-AFT	02
45	6312266-46	. BULKHEAD-LH FWD	01
46	6312266-61	. BULKHEAD-RH FWD	01
47	6312266-62	. BULKHEAD-LH AFT	01
48	6312266-29	. BULKHEAD-RH AFT	01
49	6312266-30	. ATTACH ANGLE-LH AFT UPR	01
50	6312274-9	. ATTACH ANGLE-RH AFT UPR	01
51	6312274-10	. ATTACH ANGLE-LH AFT LWR	01
52	6312274-11	. ATTACH ANGLE-RH AFT LWR	01
53	6312274-12	. CLOSEOUT RIB-LH AFT	01
54	6312276-7	. CLOSEOUT RIB-RH AFT	01
55	6312276-8	. RIB-LH AFT	01
56	6312276-3	. RIB-RH AFT	01
57	6312276-4	. AFT CLOSEOUT-LH	01
58	6312276-5	. AFT CLOSEOUT-RH	01
59	6312276-6		

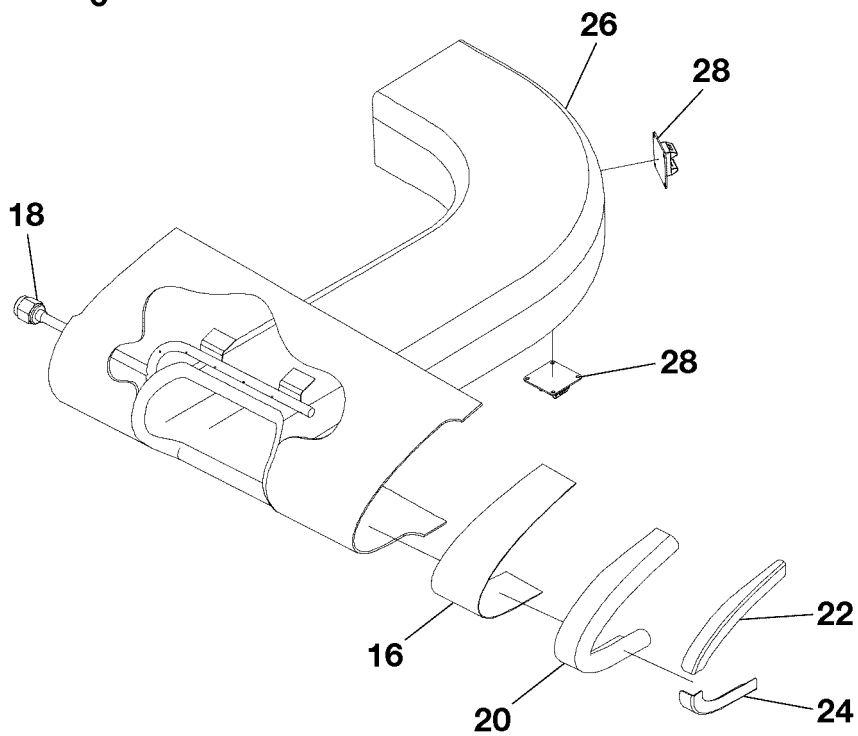
- ITEM NOT ILLUSTRATED

CESSNA®  
**MODEL 525 (SERIALS -0685 AND -0800 AND ON)**  
 ILLUSTRATED PARTS CATALOG

A87673



**DETAIL A**



**DETAIL B**

**PYLON ACCESS PANELS AND RAM AIR DUCT**  
 FIGURE 02 (SHEET 1)

6310T1001  
 A6312T1106  
 B6312T1106



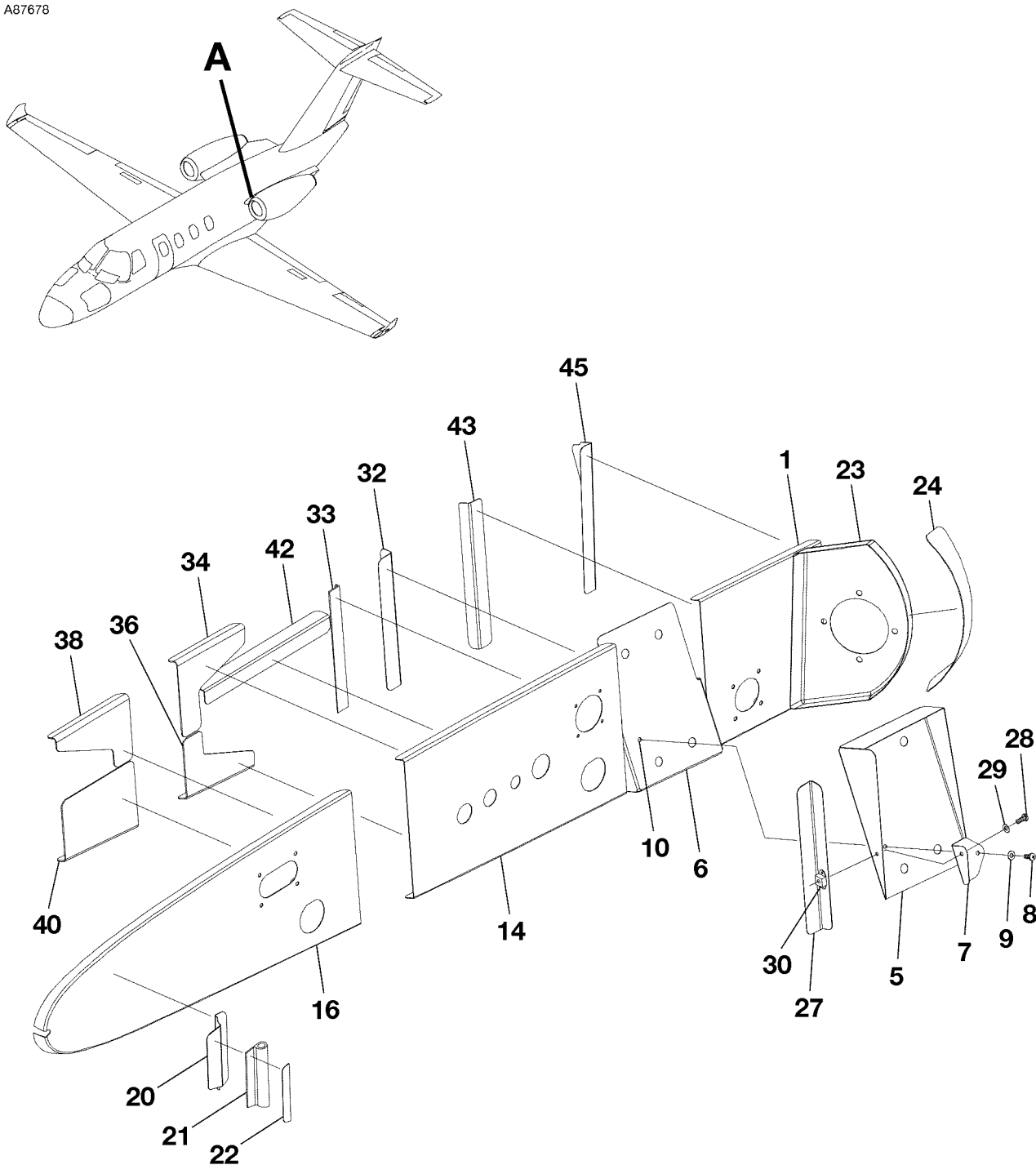
CESSNA®  
**MODEL 525 (SERIALS -0685 AND -0800 AND ON)**  
 ILLUSTRATED PARTS CATALOG

FIG ITEM	PART NUMBER	NOMENCLATURE	UNITS
			PER ASSY
02		PYLON ACCESS PANELS AND RAM AIR DUCT	RF
- 1	6312202-6	. ACCESS DOOR-LWR MID . . . . .	02
		. ATTACHING PARTS	
2	S3455-C4	. SCREW . . . . .	14
3	MS21049L08K	. NUTPLATE . . . . .	14
		—*—	
4	S225-27SF	. ACCESS PLATE-UPR . . . . .	02
		. ATTACHING PARTS	
5	S3455-C4	. SCREW . . . . .	08
		—*—	
6	6312703-55	. ACCESS DOOR-LH FWD . . . . .	01
- 7	6312703-56	. ACCESS DOOR-RH FWD . . . . .	01
		. ATTACHING PARTS	
8	S3455-C4	. SCREW . . . . .	11
9	MS21049L08K	. NUTPLATE . . . . .	11
		—*—	
10	6312703-75	. ACCESS DOOR-LH AFT . . . . .	01
- 11	6312703-76	. ACCESS DOOR-RH AFT . . . . .	01
		. ATTACHING PARTS	
12	S3455-C4	. SCREW . . . . .	10
13	MS21049L08K	. NUTPLATE . . . . .	10
		—*—	
- 14	6312277-1	. RAM AIR DUCT ASSY-LH . . . . .	01
- 15	6312277-2	. RAM AIR DUCT ASSY-RH . . . . .	01
16	6312277-5	. DOUBLER-LH NOSE . . . . .	01
- 17	6312277-6	. DOUBLER-RH NOSE . . . . .	01
18	6314401-37	. PICOLLO TUBE ASSY-LH . . . . .	01
- 19	6314401-38	. PICOLLO TUBE ASSY-RH . . . . .	01
20	6312277-9	. SEAL-LH NOSE . . . . .	01
- 21	6312277-10	. SEAL-RH NOSE . . . . .	01
22	6312277-7	. SEAL RETAINER-LH UPR . . . . .	01
- 23	6312277-8	. SEAL RETAINER-RH UPR . . . . .	01
24	6312277-11	. SEAL RETAINER-LH LWR . . . . .	01
- 25	6312277-12	. SEAL RETAINER-RH LWR . . . . .	01
26	6312277-3	. RAM AIR DUCT-LH . . . . .	01
- 27	6312277-4	. RAM AIR DUCT-RH . . . . .	01
28	ASMS-A-T	. ANCHOR . . . . . V06383	02

- ITEM NOT ILLUSTRATED

CESSNA®  
MODEL 525 (SERIALS -0685 AND -0800 AND ON)  
ILLUSTRATED PARTS CATALOG

A87678



**DETAIL A**

ENGINE PYLON FIREWALL ASSEMBLY  
FIGURE 01 (SHEET 1)

6310T1168  
A6354T1040

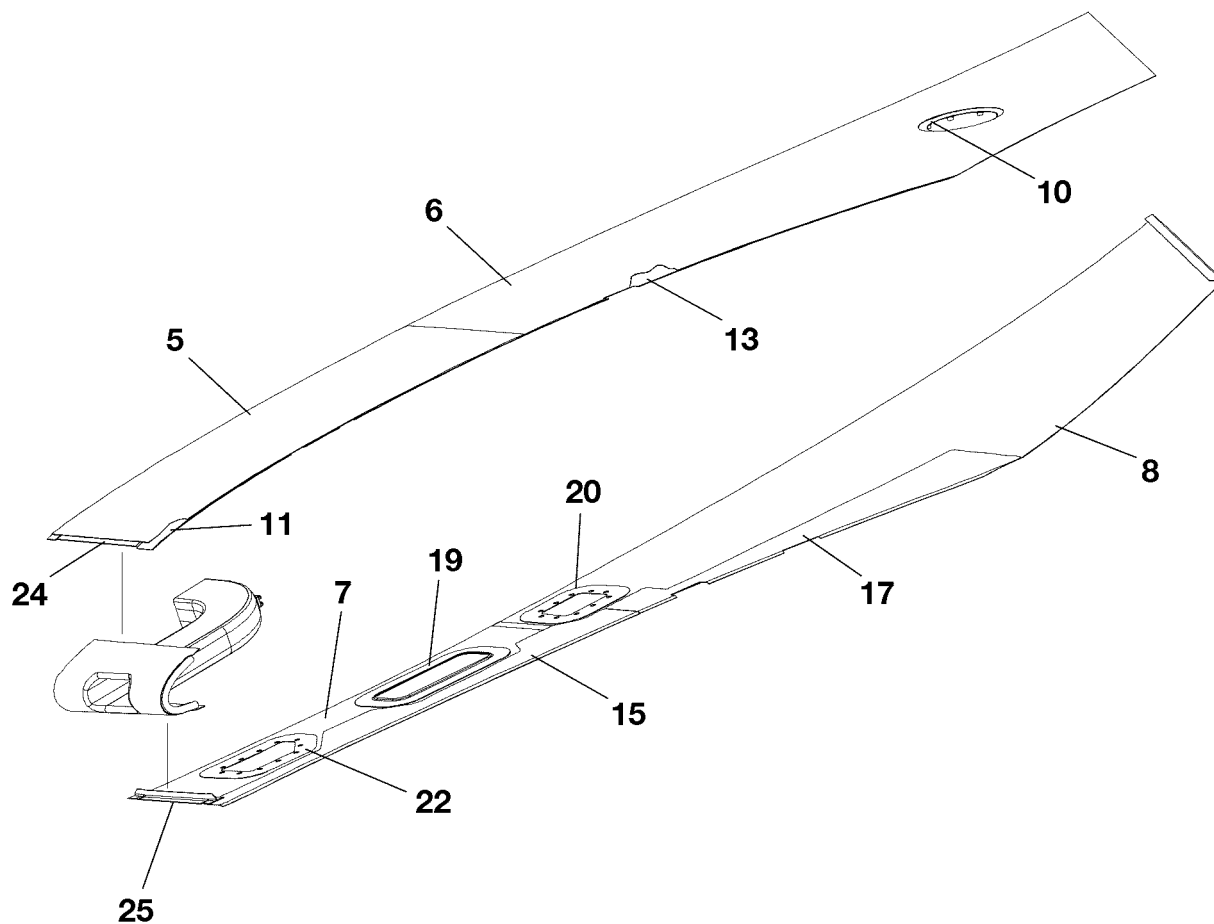
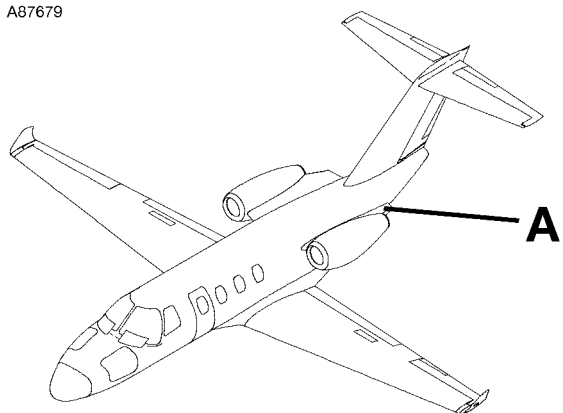
CESSNA®  
**MODEL 525 (SERIALS -0685 AND -0800 AND ON)**  
 ILLUSTRATED PARTS CATALOG

FIG ITEM	PART NUMBER	NOMENCLATURE	UNITS PER ASSY
	1 2 3 4 5 6 7		
01		ENGINE PYLON FIREWALL ASSEMBLY	RF
-			
1	6312271-75	. PYLON FIREWALL ASSY-LH AFT . . . . .	01
- 2	6312271-76	. PYLON FIREWALL ASSY-RH AFT . . . . .	01
- 3	MS21069L08K	. . NUTPLATE . . . . .	04
- 4	6312271-85	. FIREWALL ASSY-LH AFT . . . . .	01
5	6312271-87	. . FIREWALL-LH AFT OUTER . . . . .	01
6	6312271-89	. . FIREWALL-LH AFT INNER . . . . .	01
7	6312271-44	. COVER . . . . .	01
		ATTACHING PARTS	
8	MS27039C0807	. . SCREW . . . . .	01
9	NAS1149CN816R	. . WASHER . . . . .	01
10	MS21059L08K	. . NUTPLATE . . . . .	01
		—*—	
- 11	6312271-86	. FIREWALL ASSY-RH AFT . . . . .	01
- 12	6312271-88	. . FIREWALL-RH AFT OUTER . . . . .	01
- 13	6312271-90	. . FIREWALL-RH AFT INNER . . . . .	01
14	6312271-101	. PYLON FIREWALL-LH MID . . . . .	01
- 15	6312271-102	. PYLON FIREWALL-RH MID . . . . .	01
16	6312271-97	. NOSE FIREWALL ASSY-LH . . . . .	01
- 17	6312271-98	. NOSE FIREWALL ASSY-RH . . . . .	01
- 18	MS21069-08K	. . NUTPLATE . . . . .	04
- 19	6312271-39	. FIRE SEAL ASSY-LH AND RH . . . . .	02
20	6312271-41	. . SEAL SUPPORT . . . . .	01
21	6312271-40	. . FIRE SEAL . . . . .	01
22	6312271-42	. . SEAL RETAINER . . . . .	01
23	6312271-73	. PYLON FIREWALL-LH CANTED . . . . .	01
24	6312271-79	. PYLON FIREWALL-LH STRAP . . . . .	01
- 25	6312271-74	. PYLON FIREWALL-RH CANTED . . . . .	01
- 26	6312271-80	. PYLON FIREWALL-RH STRAP . . . . .	01
27	6312271-15	. ANGLE-LH FWD . . . . .	01
		ATTACHING PARTS	
28	MS27039-0807	. . SCREW . . . . .	01
29	NAS1149FN816P	. . WASHER . . . . .	01
30	MS21059-08	. . NUTPLATE . . . . .	01
		—*—	
- 31	6312271-16	. ANGLE-RH FWD . . . . .	01
32	6312381-17	. PYLON FIREWALL ANGLE-LH AND RH INBD . . . . .	02
33	6312204-39	. STIFFENER-LH AND RH . . . . .	02
34	6312271-49	. ANGLE-LH UPR AFT . . . . .	01
- 35	6312271-50	. ANGLE-RH UPR AFT . . . . .	01
36	6312271-51	. ANGLE-LH LWR AFT . . . . .	01
- 37	6312271-52	. ANGLE-RH LWR AFT . . . . .	01
38	6312271-57	. ANGLE-LH UPR FWD . . . . .	01
- 39	6312271-58	. ANGLE-RH UPR FWD . . . . .	01
40	6312271-59	. ANGLE-LH LWR FWD . . . . .	01
- 41	6312271-60	. ANGLE-RH LWR FWD . . . . .	01
42	6312271-6	. PYLON FIREWALL ANGLE-LH AND RH MID . . . . .	02
43	6312271-69	. ANGLE-LH FWD . . . . .	01
- 44	6312271-70	. ANGLE-RH FWD . . . . .	01
45	6312271-99	. ANGLE-LH AFT . . . . .	01
- 46	6312271-100	. ANGLE-RH AFT . . . . .	01

- ITEM NOT ILLUSTRATED

CESSNA®  
MODEL 525 (SERIALS -0685 AND -0800 AND ON)  
ILLUSTRATED PARTS CATALOG

A87679



**DETAIL A**

PYLON SKINS  
FIGURE 01 (SHEET 1)

6310T1168  
A6354T1041

CESSNA®  
**MODEL 525 (SERIALS -0685 AND -0800 AND ON)**  
 ILLUSTRATED PARTS CATALOG

FIG ITEM	PART NUMBER	NOMENCLATURE	UNITS
			PER ASSY
01		PYLON SKINS	RF
-			
- 1	6312262-3	. PYLON ASSY-LH UPR . . . . .	01
- 2	6312262-4	. PYLON ASSY-RH UPR . . . . .	01
- 3	6312264-3	. PYLON ASSY-LH LWR . . . . .	01
- 4	6312264-4	. PYLON ASSY-RH LWR . . . . .	01
5	6312278-1	. SKIN-FWD UPR . . . . .	01
6	6312278-2	. SKIN-AFT UPR . . . . .	01
7	6312269-1	. SKIN-FWD LWR . . . . .	01
8	6312269-11	. SKIN-LH AFT LWR . . . . .	01
- 9	6312269-12	. SKIN-RH AFT LWR . . . . .	01
10	6312202-71	. DOUBLER ASSY-UPR . . . . .	01
11	6312278-9	. SKIN DOUBLER-LH FWD UPR . . . . .	01
- 12	6312278-10	. SKIN DOUBLER-RH FWD LWR . . . . .	01
13	6312278-5	. SKIN DOUBLER-LH AFT UPR . . . . .	01
- 14	6312278-6	. SKIN DOUBLER-RH AFT LWR . . . . .	01
15	6312269-5	. SKIN DOUBLER-LH FWD LWR . . . . .	01
- 16	6312269-6	. SKIN DOUBLER-RH FWD LWR . . . . .	01
17	6312269-7	. SKIN DOUBLER-LH AFT LWR . . . . .	01
- 18	6312269-8	. SKIN DOUBLER-RH AFT LWR . . . . .	01
19	6312202-46	. DOUBLER . . . . .	01
20	6312703-81	. DOUBLER-LH LWR . . . . .	01
- 21	6312703-82	. DOUBLER-RH LWR . . . . .	01
22	6312703-83	. DOUBLER-LH LWR . . . . .	01
- 23	6312703-84	. DOUBLER-RH LWR . . . . .	01
24	6312278-7	. TEE-UPR . . . . .	01
25	6312269-9	. TEE-LH LWR . . . . .	01
- 26	6312269-10	. TEE-LH LWR . . . . .	01

- ITEM NOT ILLUSTRATED



**CHAPTER**

**55**

**STABILIZERS**





CESSNA®  
**MODEL 525 (SERIALS -0685 AND -0800 AND ON)**  
ILLUSTRATED PARTS CATALOG

<b>CHAPTER SECTION SUBJECT</b>		<b>NUMBER OF PAGES</b>	<b>DATE</b>
55 - TITLE			
55 - LIST OF EFFECTIVE PAGES			
55 - RECORD OF TEMPORARY REVISIONS			
55 - TABLE OF CONTENTS			
55-10-00	Figure 01	4	Dec 1/2017
55-10-00	Figure 02	6	Nov 1/2013
55-10-00	Figure 03	2	Nov 1/2013
55-10-01	Figure 01	2	Nov 1/2013
55-20-00	Figure 01	6	Jun 1/2017
55-20-00	Figure 02	2	Nov 1/2013
55-30-00	Figure 01	2	Dec 1/2017
55-30-00	Figure 02	2	Nov 1/2013
55-30-00	Figure 03	6	Nov 1/2013
55-30-01	Figure 01	4	Dec 1/2017
55-30-01	Figure 02	2	Jul 1/2014
55-31-00	Figure 01	2	Nov 1/2013
55-40-00	Figure 01	6	Jun 1/2017





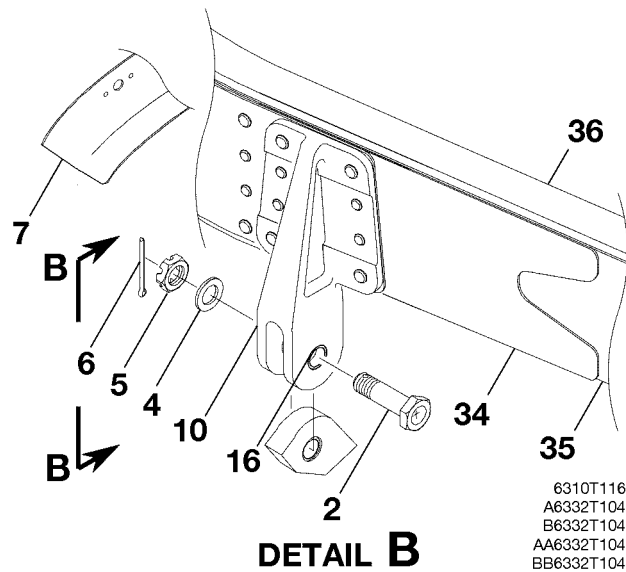
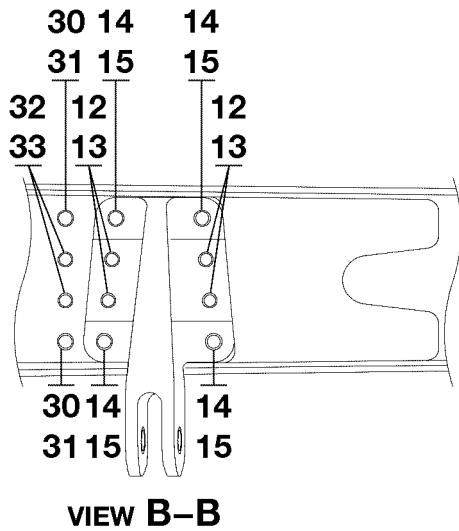
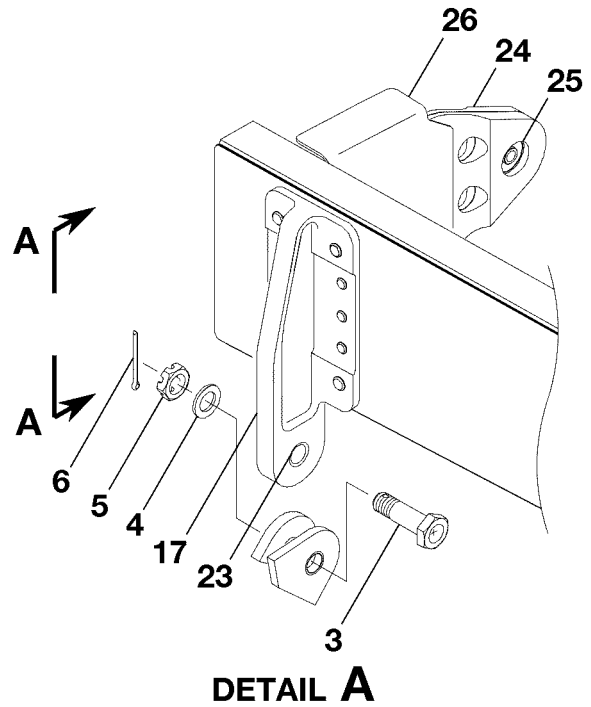
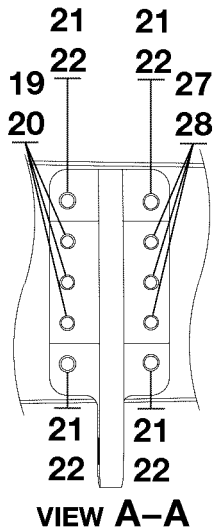
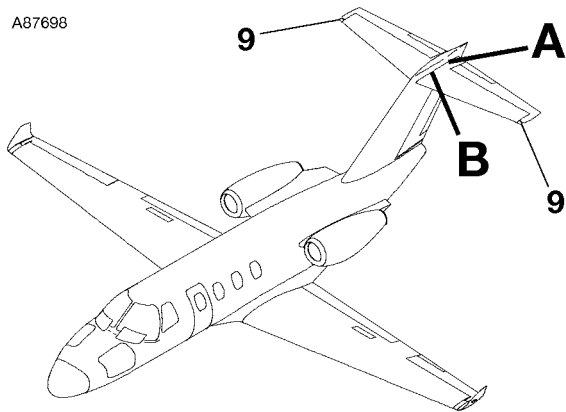


CESSNA®  
**MODEL 525 (SERIALS -0685 AND -0800 AND ON)**  
 ILLUSTRATED PARTS CATALOG

<u>SUBJECT</u>	<u>CHAPTER SECTION SUBJECT</u>	<u>FIGURE</u>	<u>EFFECTIVITY</u>	
			<u>START</u>	<u>END</u>
HORIZONTAL STABILIZER ASSEMBLY	55-10-00	01		
HORIZONTAL STABILIZER STRUCTURE INSTALLATION	55-10-00	02		
HORIZONTAL STABILIZER SKINS	55-10-00	03		
HORIZONTAL STABILIZER ACCESS PANELS	55-10-01	01		
ELEVATOR ASSEMBLY	55-20-00	01		
ELEVATOR SKINS	55-20-00	02		
VERTICAL STABILIZER ASSEMBLY	55-30-00	01		
VERTICAL STABILIZER SKINS	55-30-00	02		
VERTICAL STABILIZER STRUCTURE INSTALLATION	55-30-00	03		
HINGES AND FITTINGS - VERTICAL STABILIZER	55-30-01	01		
ACCESS PANELS - VERTICAL STABILIZER	55-30-01	02		
BULLET FAIRING - VERTICAL STABILIZER	55-31-00	01		
RUDDER INSTALLATION	55-40-00	01		

CESSNA®  
**MODEL 525 (SERIALS -0685 AND -0800 AND ON)**  
 ILLUSTRATED PARTS CATALOG

A87698



6310T1168  
 A6332T1041  
 B6332T1042  
 AA6332T1043  
 BB6332T1044

HORIZONTAL STABILIZER ASSEMBLY  
 FIGURE 01 (SHEET 1)

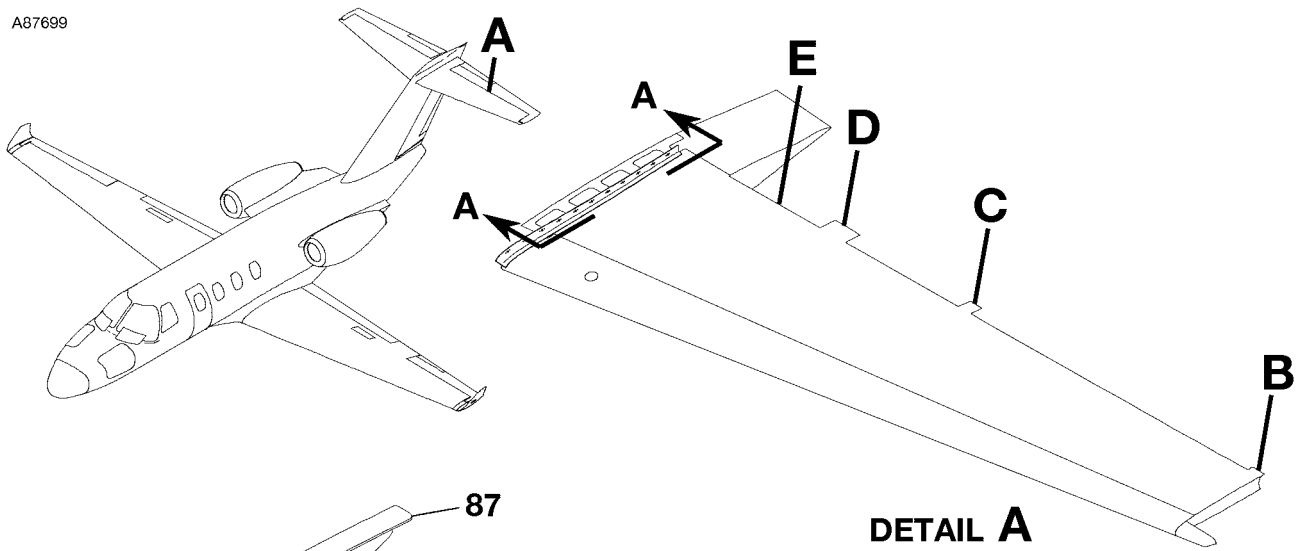
CESSNA®  
**MODEL 525 (SERIALS -0685 AND -0800 AND ON)**  
 ILLUSTRATED PARTS CATALOG

FIG ITEM	PART NUMBER	NOMENCLATURE	UNITS
			PER ASSY
		1 2 3 4 5 6 7	
01		HORIZONTAL STABILIZER ASSEMBLY	RF
- 1	6332000-1	. STABILIZER ASSY-HORIZONTAL . . . . .	01
		. ATTACHING PARTS	
2	S3461-53	. BOLT-FWD ATTACH . . . . .	02
3	S3461-54	. BOLT-AFT ATTACH . . . . .	02
4	NAS1149F0763P	. WASHER . . . . .	04
5	MS17826-7	. NUT . . . . .	04
6	MS24665-287	. COTTER PIN . . . . .	04
		—*—	
7	6331025-3	. . ANGLE ASSY-LH . . . . .	01
- 8	6331025-4	. . ANGLE ASSY-RH . . . . .	01
9	6332014-15	. . TIP-NOSE . . . . .	02
10	6332017-1	. . FITTING ASSY-LH FWD . . . . .	01
- 11	6332017-2	. . FITTING ASSY-RH FWD . . . . .	01
		. ATTACHING PARTS	
12	HL10VBJ5-5	. . PIN . . . . . V73197	04
13	HL70-5	. . COLLAR . . . . . V73197	04
14	HL10VBJ6-8	. . PIN . . . . . V73197	04
15	HL70-6	. . COLLAR . . . . . V73197	04
		—*—	
16	NAS75-7-008	. . . BUSHING . . . . .	04
17	6332018-1	. . FITTING ASSY-LH AFT . . . . .	01
- 18	6332018-2	. . FITTING ASSY-RH AFT . . . . .	01
		. ATTACHING PARTS	
19	HL10VBJ5-5	. . PIN . . . . . V73197	03
20	HL70-5	. . COLLAR . . . . . V73197	03
21	HL10VBJ6-7	. . PIN . . . . . V73197	04
22	HL70-6	. . COLLAR . . . . . V73197	04
		—*—	
23	NAS75-7-015	. . . BUSHING . . . . .	02
24	6332019-3	. . BEARING PLATE ASSY-HINGE . . . . .	02
25	ASR4-401	. . . BEARING . . . . .	01
26	6332019-2	. . SUPPORT . . . . .	02
27	HL10VBJ5-7	. . PIN . . . . . V73197	06
28	HL70-5	. . COLLAR . . . . . V73197	06
- 29	6332001-2	. . FWD SPAR ASSY . . . . .	01
		. ATTACHING PARTS	
30	HL10VBJ6-5	. . PIN-HI-LOK . . . . . V73197	04
31	HL70-6	. . COLLAR-HI-LOK . . . . . V73197	04
32	HL10VBJ5-3	. . PIN-HI-LOK . . . . . V73197	04
33	HL70-5	. . COLLAR-HI-LOK . . . . . V73197	04
		—*—	
34	6332001-3	. . . DOUBLER BOND ASSY . . . . .	01
35	6332001-4	. . . WEB . . . . .	02
36	6332001-5	. . . SPAR CAP . . . . .	02

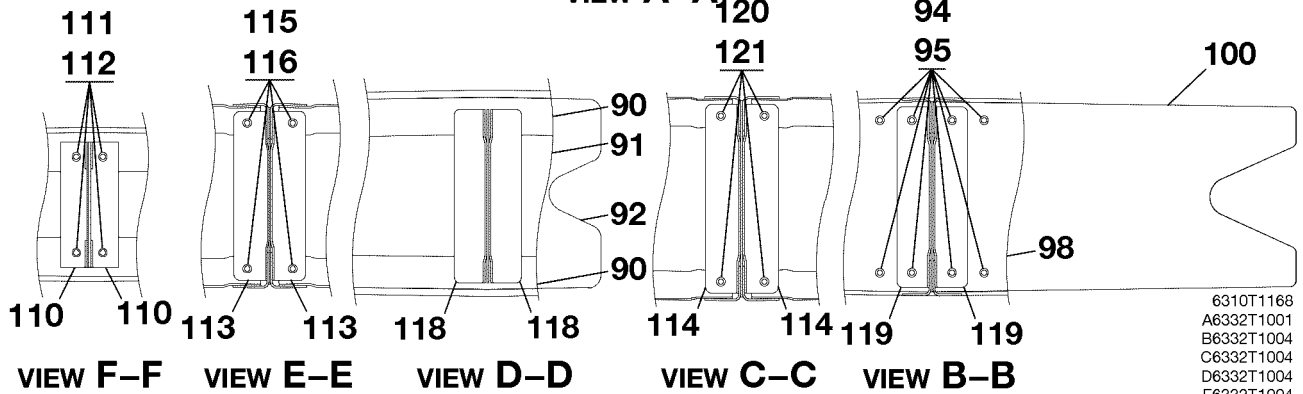
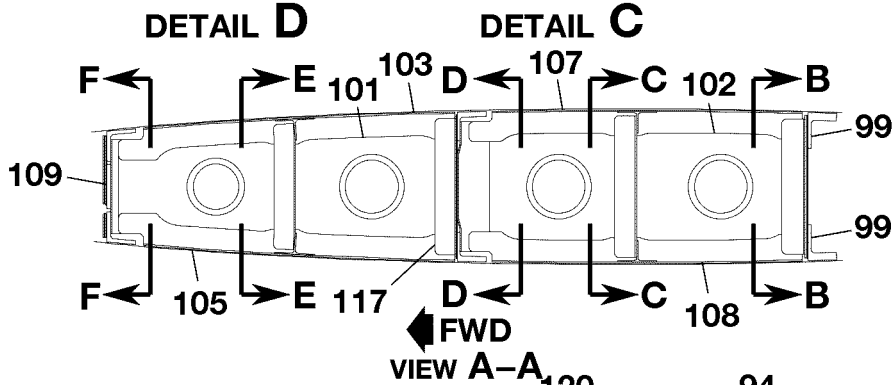
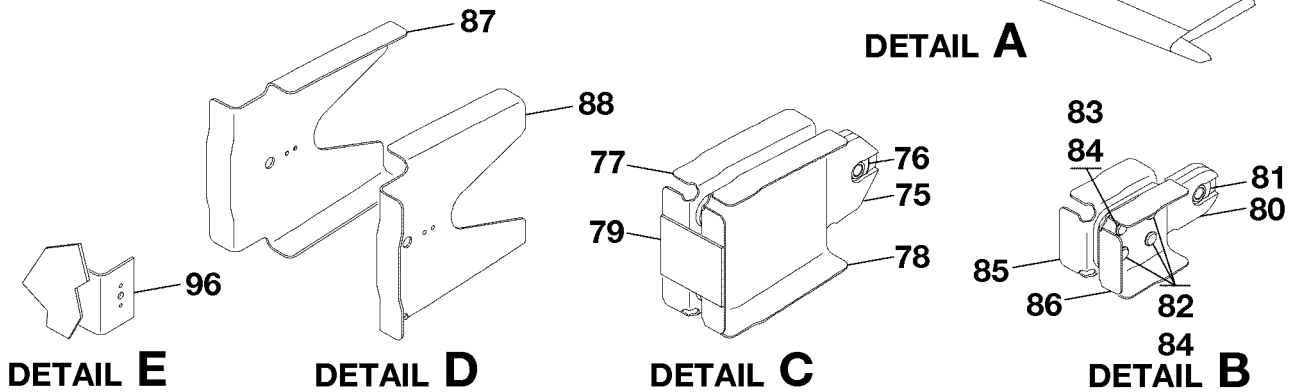
- ITEM NOT ILLUSTRATED

CESSNA®  
**MODEL 525 (SERIALS -0685 AND -0800 AND ON)**  
 ILLUSTRATED PARTS CATALOG

A87699



**DETAIL A**



6310T1168  
 A6332T1001  
 B6332T1004  
 C6332T1004  
 D6332T1004  
 E6332T1004  
 AA-FF6332T1045

**HORIZONTAL STABILIZER ASSEMBLY**  
 FIGURE 01 (SHEET 2)



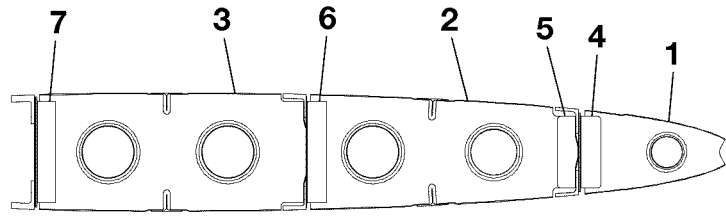
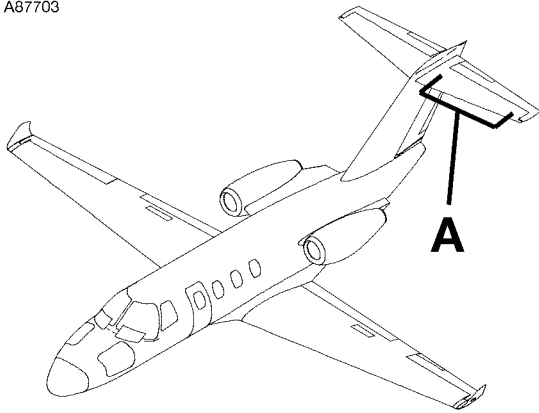
CESSNA®  
**MODEL 525 (SERIALS -0685 AND -0800 AND ON)**  
 ILLUSTRATED PARTS CATALOG

FIG ITEM	PART NUMBER	NOMENCLATURE	UNITS
			PER ASSY
		1 2 3 4 5 6 7	
01			
75	6534003-50	. . BEARING PLATE ASSY . . . . .	02
76	MS27641-4	. . BEARING . . . . .	01
- 76A	MS20201KP4A	. . BEARING ALT FOR MS27641-4 . . . . .	01 R
77	6332019-7	. . SUPPORT-INBOARD . . . . .	02
78	6332019-6	. . SUPPORT-OUTBOARD . . . . .	02
79	6332019-8	. . SPACER-SHIM . . . . .	02
80	6534003-66	. . BEARING PLATE ASSY-HINGE . . . . .	02
81	MS27641-4	. . BEARING . . . . .	01
- 81A	MS20201KP4A	. . BEARING ALT FOR MS27641-4 . . . . .	01 R
82	HL10VBJ6-6	. . PIN . . . . . V73197	03
83	HL10VBJ6-7	. . PIN . . . . . V73197	01
84	HL70-6	. . COLLAR . . . . . V73197	04
85	6332019-10	. . SUPPORT-INBOARD . . . . .	02
86	6332019-9	. . SUPPORT-OUTBOARD . . . . .	02
87	6332003-9	. . ACTUATOR SUPPORT-INBOARD . . . . .	02
88	6332003-10	. . ACTUATOR SUPPORT-OUTBOARD . . . . .	02
- 89	6332002-2	. . CENTER SPAR ASSY . . . . .	01
90	6332002-3	. . SPAR CAP . . . . .	02
91	6332002-4	. . WEB . . . . .	02
92	6332002-5	. . DOUBLER . . . . .	01
- 93	6332003-2	. . REAR SPAR ASSY . . . . .	01
		ATTACHING PARTS	
94	HL10VBJ6-4	. . PIN-HI-LOK . . . . . V73197	04
95	HL70-6	. . COLLAR-HI-LOK . . . . . V73197	04
		—*—	
96	6332003-11	. . GROUNDING CLIP ASSY . . . . .	02
- 97	MS21069L3	. . NUTPLATE . . . . .	01
98	6332003-4	. . WEB ASSY . . . . .	02
99	6332003-3	. . SPAR CAP . . . . .	02
100	6332003-8	. . DOUBLER . . . . .	01
101	6332015-2	. . WEB-CENTER . . . . .	01
102	6332015-17	. . WEB-REAR . . . . .	01
103	6332015-4	. . CAP-LH CENTER UPPER . . . . .	01
- 104	6332015-6	. . CAP-RH CENTER UPPER . . . . .	01
105	6332015-5	. . CAP-LH CENTER LOWER . . . . .	01
- 106	6332015-7	. . CAP-RH CENTER LOWER . . . . .	01
107	6332015-8	. . CAP-REAR UPPER . . . . .	02
108	6332015-9	. . CAP-REAR LOWER . . . . .	02
109	6332015-11	. . SPACER-FWD . . . . .	01
110	6332015-10	. . SPAR CLIP-FWD . . . . .	01
		ATTACHING PARTS	
111	HL10VBJ6-6	. . PIN-HI-LOK . . . . . V73197	04
112	HL70-6	. . COLLAR-HI-LOK . . . . . V73197	04
		—*—	
113	6332015-12	. . STRINGER CLIP-FWD . . . . .	02
114	6332015-15	. . STRINGER CLIP-AFT . . . . .	02
		ATTACHING PARTS	
115	HL10VBJ5-2	. . PIN-HI-LOK . . . . . V73197	02
116	HL70-5	. . COLLAR-HI-LOK . . . . . V73197	02
		—*—	
117	6332015-13	. . SPAR CLIP-CENTER . . . . .	02
118	6332015-14	. . SPAR CLIP-CENTER . . . . .	02
119	6332015-16	. . SPAR CLIP-AFT . . . . .	02
		ATTACHING PARTS	
120	HL10VBJ6-4	. . PIN-HI-LOK . . . . . V73197	02
121	HL70-6	. . COLLAR-HI-LOK . . . . . V73197	02
		—*—	

- ITEM NOT ILLUSTRATED

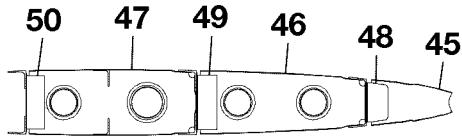
CESSNA®  
**MODEL 525 (SERIALS -0685 AND -0800 AND ON)**  
 ILLUSTRATED PARTS CATALOG

A87703



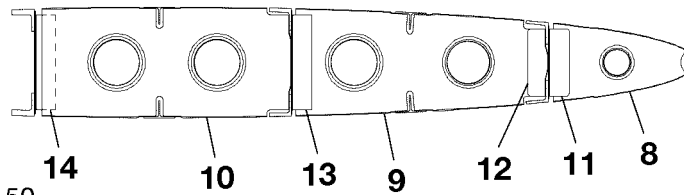
**DETAIL A**

View Looking Outboard at Rib Installation SS 6.00



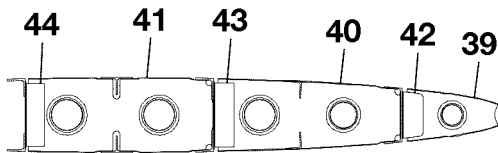
**DETAIL A**

View Looking Outboard at Rib Installation SS 80.50



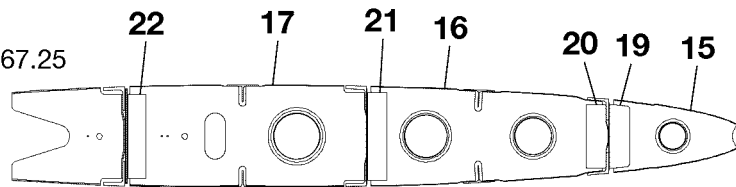
**DETAIL A**

View Looking Outboard at Rib Installation SS 17.10



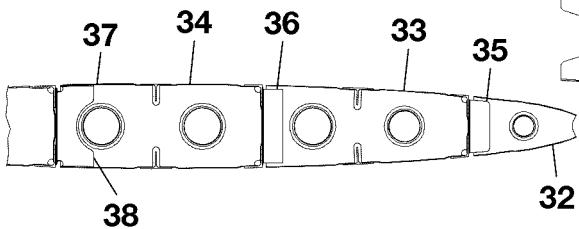
**DETAIL A**

View Looking Outboard at Rib Installation SS 67.25



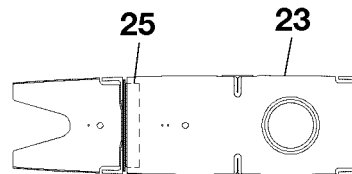
**DETAIL A**

View Looking Outboard at Rib Installation SS 28.25



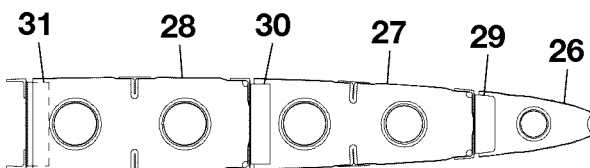
**DETAIL A**

View Looking Outboard at Rib Installation SS 53.95



**DETAIL A**

View Looking Outboard at Rib Installation SS 32.25



**DETAIL A**

View Looking Outboard at Rib Installation SS 41.10

6310T1168  
 A6332T1040

HORIZONTAL STABILIZER STRUCTURE INSTALLATION  
 FIGURE 02 (SHEET 1)

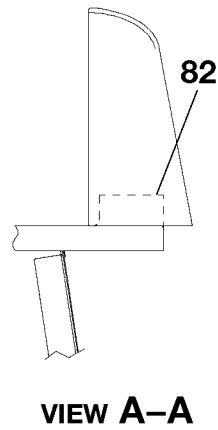
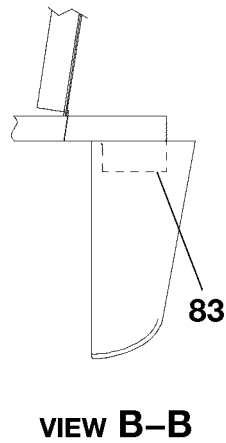
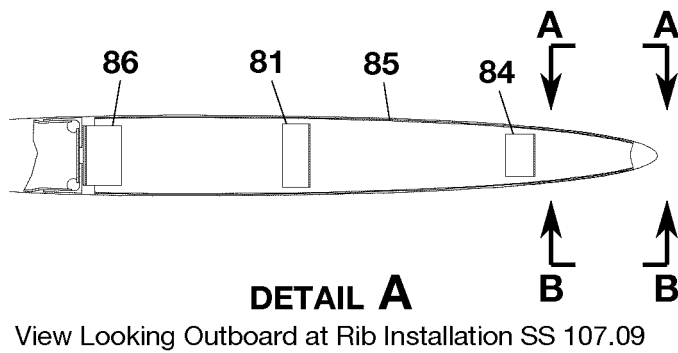
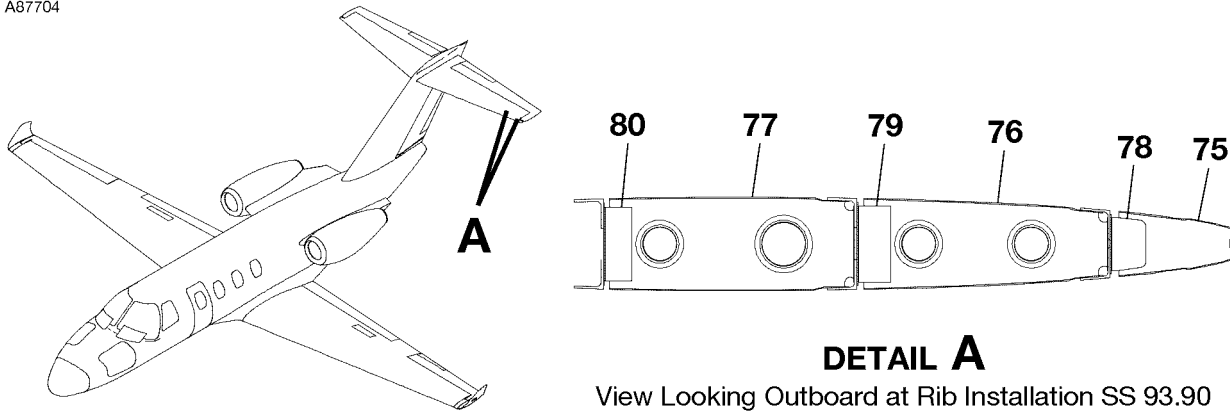
CESSNA®  
**MODEL 525 (SERIALS -0685 AND -0800 AND ON)**  
 ILLUSTRATED PARTS CATALOG

FIG ITEM	PART NUMBER	NOMENCLATURE	UNITS	
			PER ASSY	
02		HORIZONTAL STABILIZER STRUCTURE INSTALLATION	RF	
-				
1	6332005-11	. RIB-FWD . . . . .	02	
2	6332005-4	. RIB-CTR . . . . .	02	
3	6332005-10	. RIB-AFT . . . . .	02	
4	6332005-6	. CLIP-FWD . . . . .	02	
5	6332005-9	. CLIP-FWD . . . . .	02	
6	6332005-7	. CLIP-CTR . . . . .	02	
7	6332005-8	. CLIP-AFT . . . . .	02	
8	6332006-3	. RIB-FWD . . . . .	02	
9	6332006-4	. RIB-CENTER . . . . .	02	
10	6332006-10	. RIB-AFT . . . . .	02	
11	6332006-6	. CLIP-FWD . . . . .	02	
12	6332006-9	. CLIP-FWD . . . . .	02	
13	6332006-7	. CLIP-CENTER . . . . .	02	
14	6332006-8	. CLIP-AFT . . . . .	02	
15	6332007-3	. RIB-FWD . . . . .	02	
16	6332007-4	. RIB-CENTER . . . . .	02	
17	6332007-5	. RIB-LH AFT . . . . .	01	
-	18	6332007-6	. RIB-RH AFT . . . . .	01
19	6332007-10	. CLIP-FWD . . . . .	02	
20	6332007-7	. CLIP-FWD . . . . .	02	
21	6332007-8	. CLIP-CENTER . . . . .	02	
22	6332007-9	. CLIP-AFT . . . . .	02	
23	6332008-3	. RIB-LH . . . . .	01	
-	24	6332008-4	. RIB-RH . . . . .	01
25	6332008-5	. CLIP . . . . .	02	
26	6332009-3	. RIB-FWD . . . . .	02	
27	6332009-4	. RIB-CENTER . . . . .	02	
28	6332009-5	. RIB-AFT . . . . .	02	
29	6332009-6	. CLIP-FWD . . . . .	02	
30	6332009-7	. CLIP-CENTER . . . . .	02	
31	6332009-8	. CLIP-AFT . . . . .	02	
32	6332010-3	. RIB-FWD . . . . .	02	
33	6332010-4	. RIB-CENTER . . . . .	02	
34	6332010-5	. RIB-AFT . . . . .	02	
35	6332010-6	. CLIP-FWD . . . . .	02	
36	6332010-7	. CLIP-CENTER . . . . .	02	
37	6332010-9	. DOUBLER-UPPER . . . . .	02	
38	6332010-8	. DOUBLER . . . . .	02	
39	6332011-3	. RIB-FWD . . . . .	02	
40	6332011-4	. RIB-CENTER . . . . .	02	
41	6332011-5	. RIB-AFT . . . . .	02	
42	6332011-6	. CLIP-FWD . . . . .	02	
43	6332011-7	. CLIP-CENTER . . . . .	02	
44	6332011-8	. CLIP-AFT . . . . .	02	
45	6332012-3	. RIB-FWD . . . . .	02	
46	6332012-4	. RIB-CENTER . . . . .	02	
47	6332012-5	. RIB-AFT . . . . .	02	
48	6332012-6	. CLIP-FWD . . . . .	02	
49	6332012-7	. CLIP-CENTER . . . . .	02	
50	6332012-8	. CLIP-AFT . . . . .	02	

- ITEM NOT ILLUSTRATED

CESSNA®  
**MODEL 525 (SERIALS -0685 AND -0800 AND ON)**  
 ILLUSTRATED PARTS CATALOG

A87704



HORIZONTAL STABILIZER STRUCTURE INSTALLATION  
 FIGURE 02 (SHEET 2)

6310T1168  
 A6332T1046  
 AA6332T1046  
 BB6332T1046

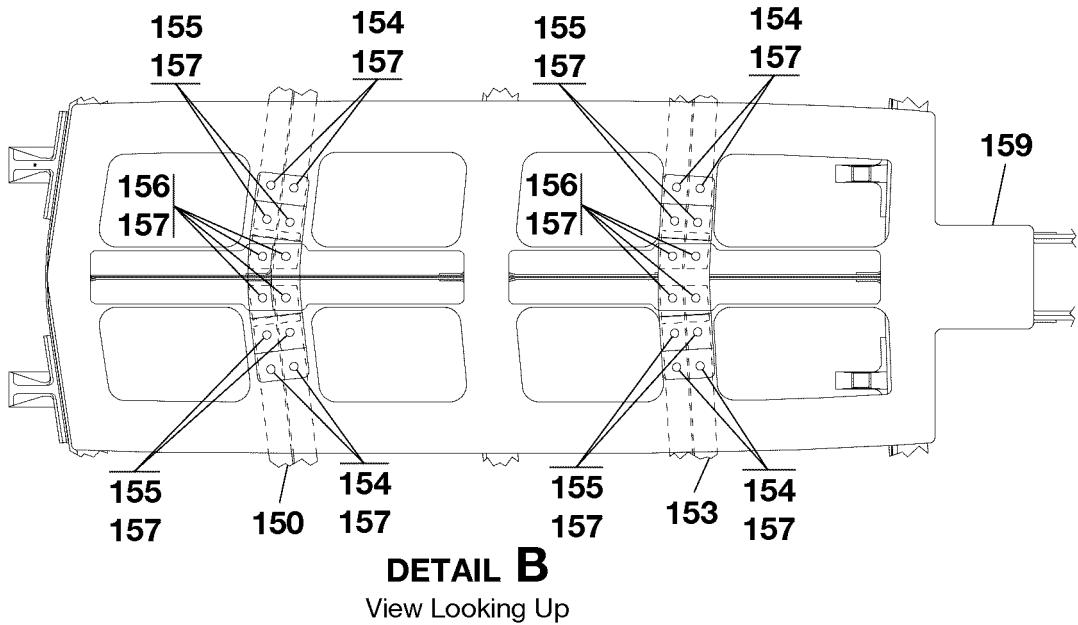
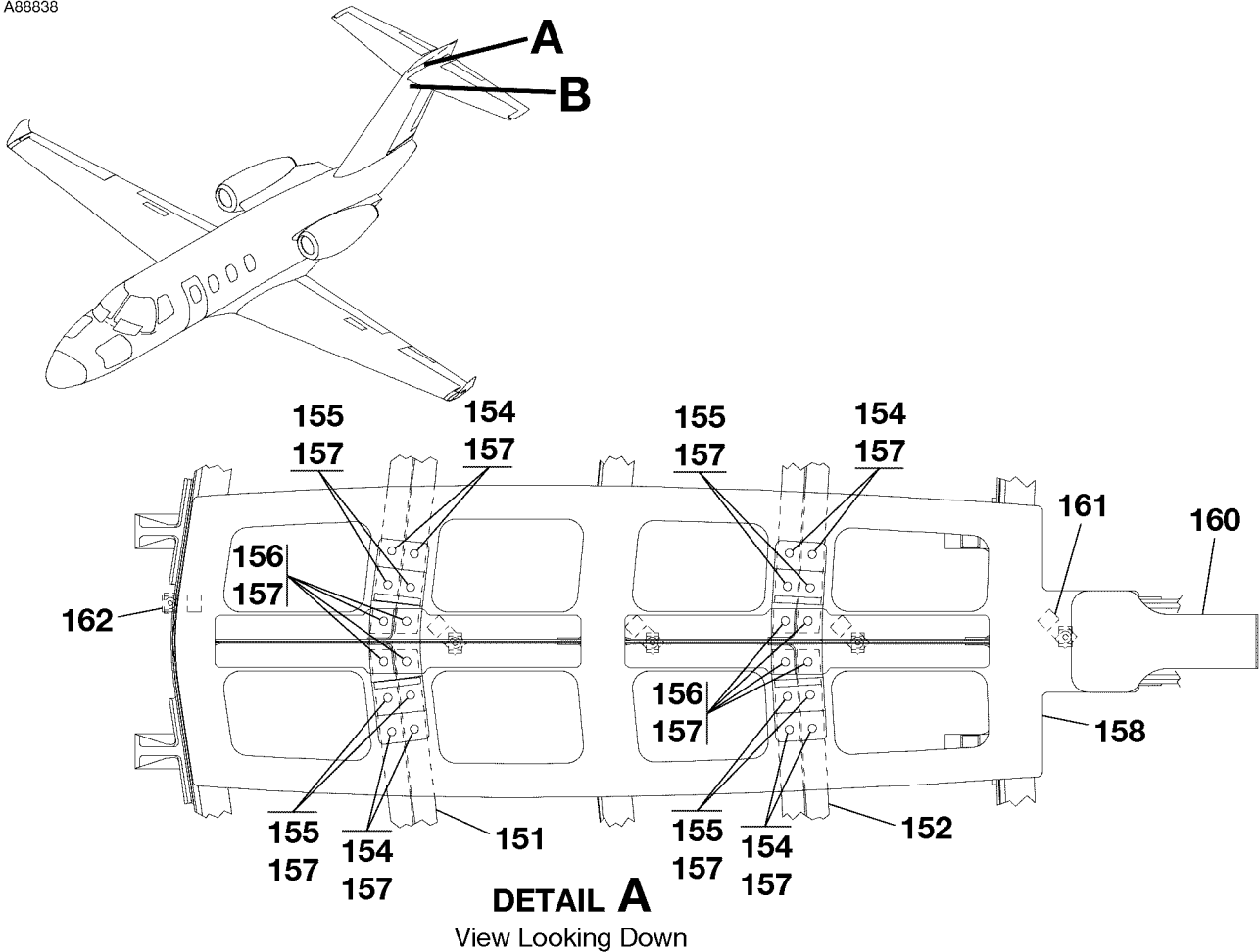
CESSNA®  
**MODEL 525 (SERIALS -0685 AND -0800 AND ON)**  
 ILLUSTRATED PARTS CATALOG

FIG ITEM	PART NUMBER	1 2 3 4 5 6 7	NOMENCLATURE	UNITS PER ASSY
02				
75	6332013-3	.	RIB-FWD . . . . .	02
76	6332013-4	.	RIB-CENTER . . . . .	02
77	6332013-5	.	RIB-AFT . . . . .	02
78	6332013-6	.	CLIP-FWD . . . . .	02
79	6332013-7	.	CLIP-CTR . . . . .	02
80	6332013-8	.	CLIP-AFT . . . . .	02
81	6332014-10	.	RIB-TIP . . . . .	02
82	6332014-11	.	DOUBLER-UPPER . . . . .	02
83	6332014-12	.	DOUBLER-LOWER . . . . .	02
84	6332014-4	.	CLIP-FWD . . . . .	02
85	6332014-5	.	CLIP-CENTER . . . . .	02
86	6332014-6	.	CLIP-AFT . . . . .	02

- ITEM NOT ILLUSTRATED

CESSNA®  
**MODEL 525 (SERIALS -0685 AND -0800 AND ON)**  
 ILLUSTRATED PARTS CATALOG

A88838



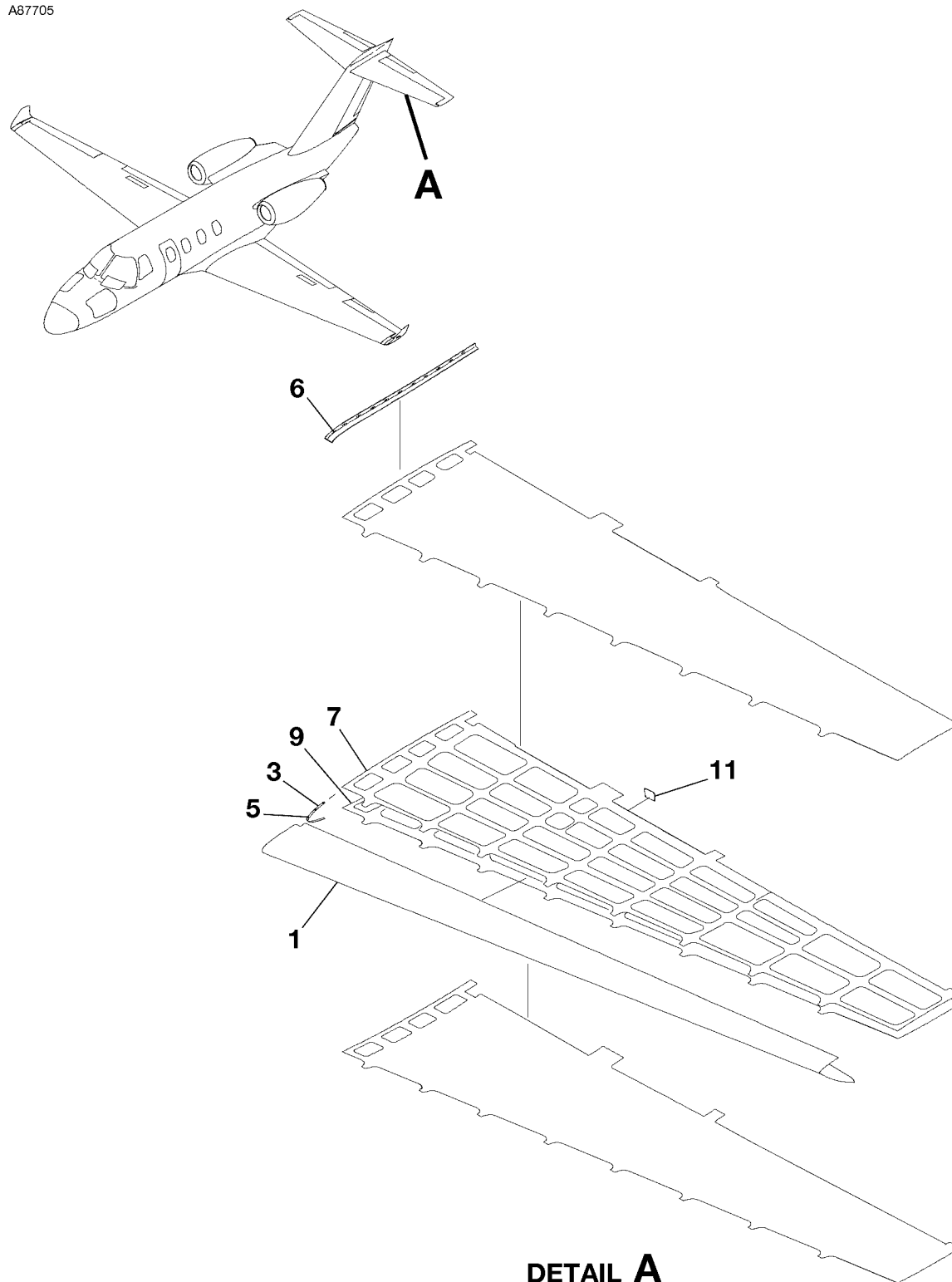
HORIZONTAL STABILIZER STRUCTURE INSTALLATION  
 FIGURE 02 (SHEET 3)

6310T1168  
 A6332T1047  
 B6332T1047



CESSNA®  
MODEL 525 (SERIALS -0685 AND -0800 AND ON)  
ILLUSTRATED PARTS CATALOG

A87705



HORIZONTAL STABILIZER SKINS  
FIGURE 03 (SHEET 1)

6310T1168  
A6332T1023



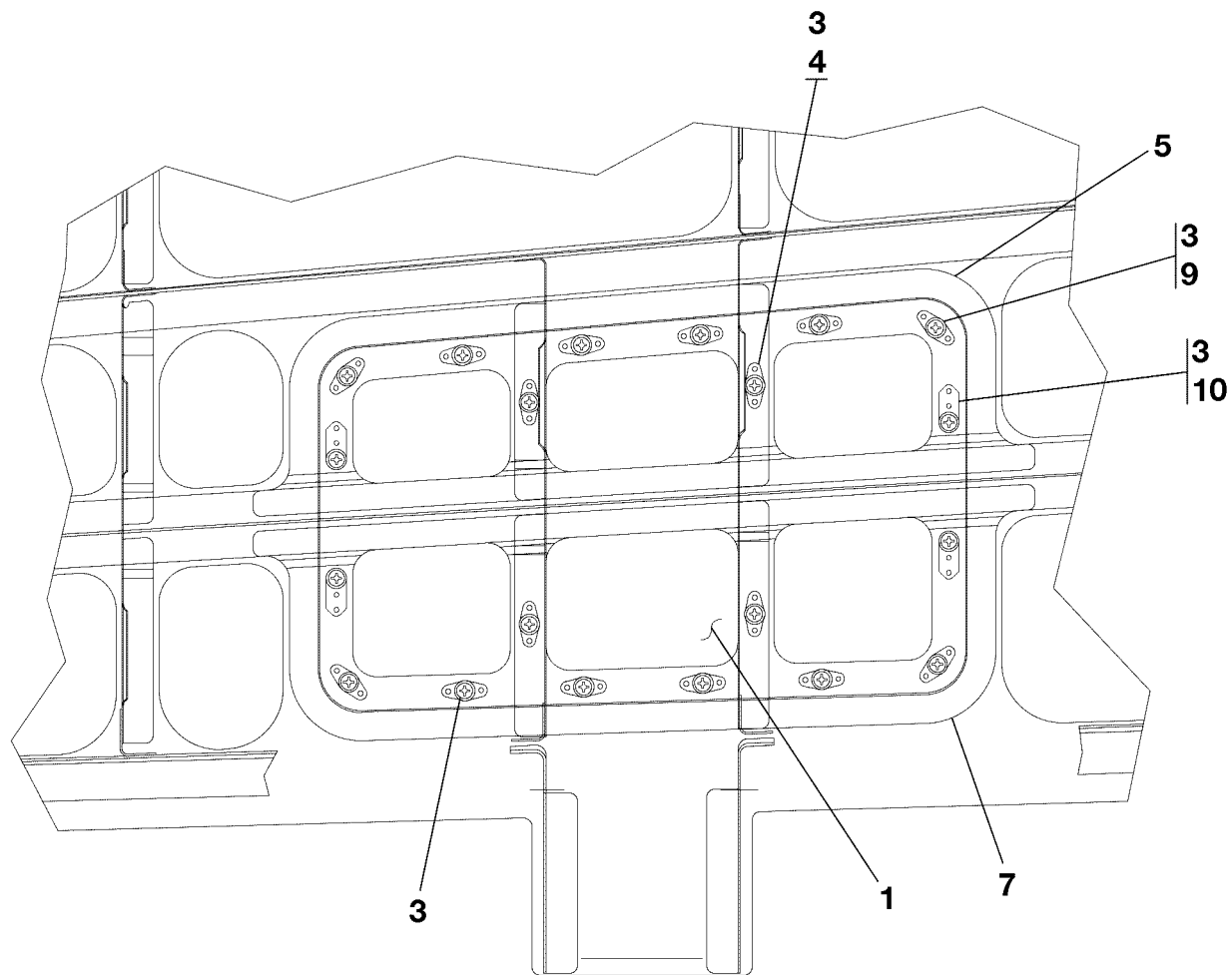
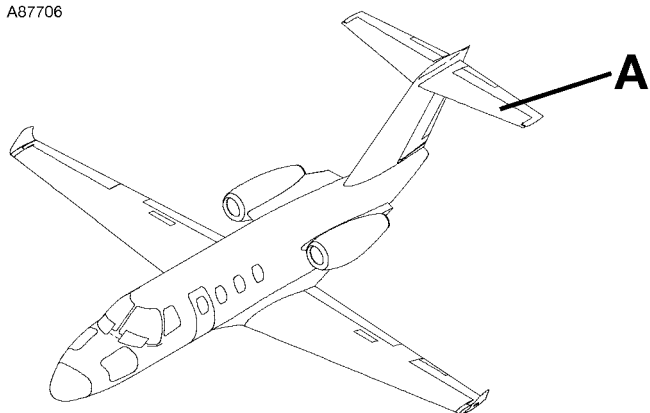
CESSNA®  
**MODEL 525 (SERIALS -0685 AND -0800 AND ON)**  
 ILLUSTRATED PARTS CATALOG

FIG ITEM	PART NUMBER	1 2 3 4 5 6 7	NOMENCLATURE	UNITS
				PER ASSY
03				
-			HORIZONTAL STABILIZER SKINS	RF
1	6332000-15		. SKIN-LH LEADING EDGE . . . . .	01
- 2	6332000-14		. SKIN-RH LEADING EDGE . . . . .	01
3	6332000-21		. DOUBLER-LH LWR LEADING EDGE . . . . .	01
- 4	6332000-20		. DOUBLER-RH LWR LEADING EDGE . . . . .	01
5	MS21059L08K		. NUTPLATE . . . . .	06
6	MS21059L08		. NUTPLATE . . . . .	16
7	6332000-3		. SKIN BOND ASSY-LH UPR . . . . .	01
- 8	6332000-2		. SKIN BOND ASSY-RH UPR . . . . .	01
9	6332000-5		. SKIN BOND ASSY-LH LWR . . . . .	01
- 10	6332000-4		. SKIN BOND ASSY-RH LWR . . . . .	01
11	MS27253-1		. PLATE IDENTIFICATION . . . . .	01

- ITEM NOT ILLUSTRATED

CESSNA®  
MODEL 525 (SERIALS -0685 AND -0800 AND ON)  
ILLUSTRATED PARTS CATALOG

A87706



**DETAIL A**

View Looking Down  
Left Hand Side

HORIZONTAL STABILIZER ACCESS PANELS  
FIGURE 01 (SHEET 1)

6310T1168  
A6332T1002

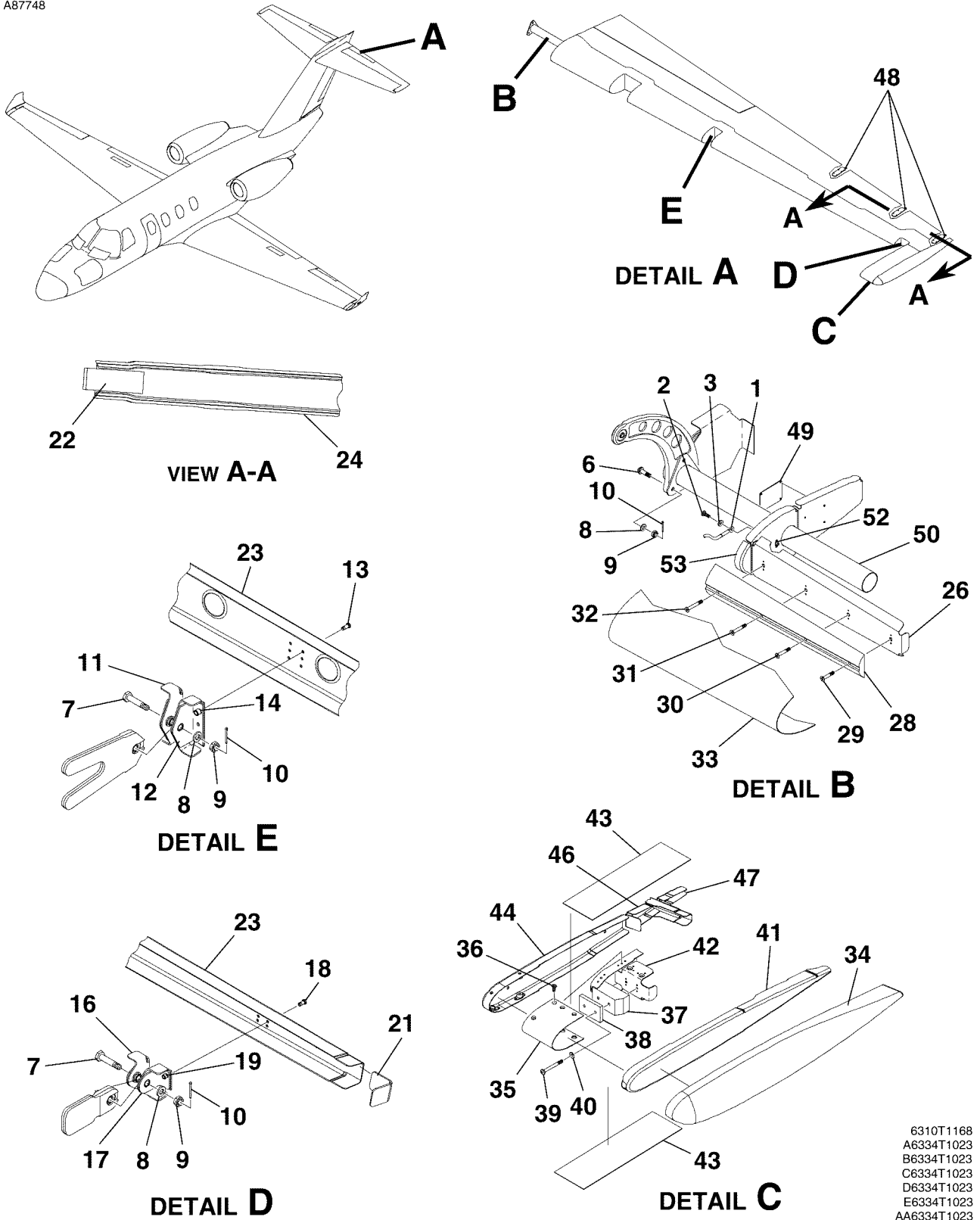
CESSNA®  
**MODEL 525 (SERIALS -0685 AND -0800 AND ON)**  
 ILLUSTRATED PARTS CATALOG

FIG ITEM	PART NUMBER	1 2 3 4 5 6 7	NOMENCLATURE	UNITS PER ASSY
01				
-			HORIZONTAL STABILIZER ACCESS PANELS	RF
1	6332004-7		. COVER-LH . . . . .	01
- 2	6332004-8		. COVER-RH . . . . .	01
			ATTACHING PARTS	
3	S3455-S4		. SCREW . . . . .	20
4	MS21050L08		. NUTPLATE . . . . .	04
			—*—	
5	6332004-3		. DOUBLER ASSY-LH FWD . . . . .	01
- 6	6332004-4		. DOUBLER ASSY-RH FWD . . . . .	01
7	6332004-5		. DOUBLER ASSY-LH AFT . . . . .	01
- 8	6332004-6		. DOUBLER ASSY-RH AFT . . . . .	01
9	MS21050L08		. . NUTPLATE . . . . .	06
10	MS21054L08		. . NUTPLATE . . . . .	02

- ITEM NOT ILLUSTRATED

CESSNA®  
**MODEL 525 (SERIALS -0685 AND -0800 AND ON)**  
 ILLUSTRATED PARTS CATALOG

A87748



ELEVATOR ASSEMBLY  
 FIGURE 01 (SHEET 1)

6310T1168  
 A6334T1023  
 B6334T1023  
 C6334T1023  
 D6334T1023  
 E6334T1023  
 AA6334T1023

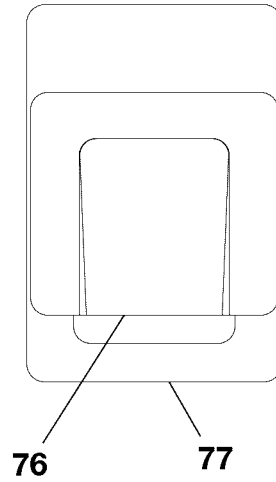
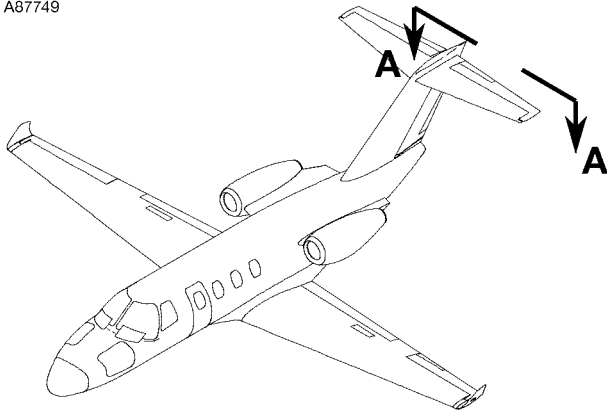
**CESSNA®**  
**MODEL 525 (SERIALS -0685 AND -0800 AND ON)**  
**ILLUSTRATED PARTS CATALOG**

FIG ITEM	PART NUMBER	1 2 3 4 5 6 7	NOMENCLATURE	UNITS PER ASSY		
01			ELEVATOR ASSEMBLY			RF
- 1	MS25083-2BB6		JUMPER ASSY-ELECTRICAL BOND LH AND RH			02
			ATTACHING PARTS			
2	MS27039-1-08		SCREW			02
3	NAS1149F0363P		WASHER			02
			—*—			
- 4	6334000-21		ELEVATOR ASSY-LH FSO 6334000-23	0800	0965	NP R
- 4A	6334000-23		ELEVATOR ASSY-LH	0966	& ON	01 R
- 5	6334000-22		ELEVATOR ASSY-RH FSO 6334000-24	0800	0965	NP R
- 5A	6334000-24		ELEVATOR ASSY-RH	0966	& ON	01 R
			ATTACHING PARTS			
6	NAS6204-8D		BOLT			03
7	NAS6204-14D		BOLT			02
8	NAS1149F0463P		WASHER			05
9	MS17826-4		NUT			05
10	MS24665-134		COTTER PIN			05
			—*—			
11	6334001-5		BRACKET ASSY-HINGE INBOARD			01
12	6334001-6		BRACKET ASSY-HINGE OUTBOARD			01
			ATTACHING PARTS			
13	NAS7035H04		PIN			03
14	NAS1080C05		COLLAR			03
			—*—			
- 15	5522876-1		SPACER			01
16	6334001-7		BRACKET ASSY-HINGE INBOARD			01
17	6334001-8		BRACKET ASSY-HINBD OUTBOARD			01
			ATTACHING PARTS			
18	NAS7034H03		PIN			02
19	NAS1080AG04		COLLAR			02
			—*—			
- 20	5522876-1		SPACER			01
21	6334001-16		CLIP-FWD			01
22	6334006-10		CLIP-AFT			01
23	6334001-15		SPAR ASSY-FWD			01
24	6334006-3		SPAR ASSY-LH AFT			01
- 25	6334006-4		SPAR ASSY-RH AFT			01
26	6334005-4		BRACKET ASSY-BALANCE WEIGHT			01
- 27	MS21059L3K		NUTPLATE			04
28	6334005-3		BALANCE WEIGHT			01
			ATTACHING PARTS			
29	MS24694-S59		SCREW			01
30	MS24694-S61		SCREW			01
31	MS24694-S63		SCREW			01
32	MS24694-S65		SCREW			01
			—*—			
33	6334005-6		DOUBLER-LEADING EDGE SKIN			01
34	6334019-13		TIP BOND ASSY-ELEVATOR			01
35	6334019-14		SKIN-HORN LEADING EDGE			01
			ATTACHING PARTS			
36	MS24694C4		SCREW			08
			—*—			
37	6334019-21		BALANCE WEIGHT			01
38	6334019-22		TRIM WEIGHT			01
			ATTACHING PARTS			
39	MS27039-1-29		SCREW			02
40	NAS1149F0332P		WASHER			02
			—*—			
41	6334019-7		RIB			01
42	6334019-19		BRACKET ASSY			01
43	6334019-12		SKIN-HORN			02
44	6334019-17		RIB ASSY			01
- 45	MS21049L08		NUTPLATE			04
46	6334019-5		RIB-CENTER			01
47	6334019-6		RIB-AFT			01
48			STATIC WICK BASE REFER TO 23-60-00 FIGURE 01			RF
49	MS27253-1		PLATE IDENTIFICATION FSO S2674-3	0800	0965	NP R
- 49A	S2674-3		PLATE IDENTIFICATION FOR SPARES ONLY	0966	& ON	01 R
50	6334002-9		WELD ASSY-LH TORQUE TUBE FSO 6334002-21	0800	0965	NP R
- 50A	6334002-21		WELD ASSY-LH TORQUE TUBE	0966	& ON	01 R
- 51	6334002-10		WELD ASSY-RH TORQUE TUBE FSO 6334002-22	0800	0965	NP R
- 51A	6334002-22		WELD ASSY-RH TORQUE TUBE	0966	& ON	01 R
52	MS21069-3		NUTPLATE			01 R
53	6334002-8		RIB-TIP FSO 6334002-23	0800	0965	NP R
- 53A	6334002-23		RIB-TIP	0966	& ON	01 R

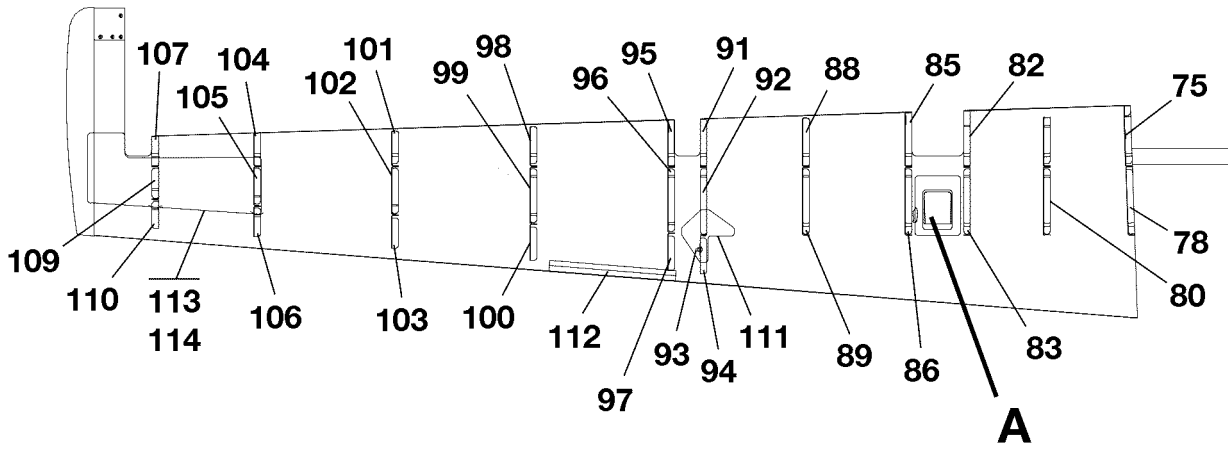
- ITEM NOT ILLUSTRATED

CESSNA®  
**MODEL 525 (SERIALS -0685 AND -0800 AND ON)**  
 ILLUSTRATED PARTS CATALOG

A87749



**DETAIL A**



**VIEW A-A**

ELEVATOR ASSEMBLY  
 FIGURE 01 (SHEET 2)

6310T1168  
 A6334T1023  
 AA6334T1023

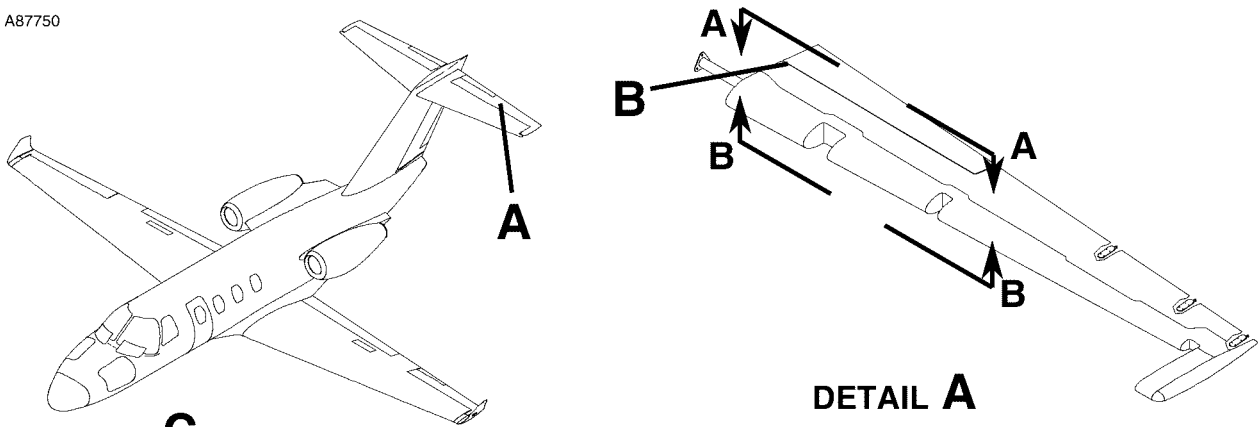
CESSNA®  
**MODEL 525 (SERIALS -0685 AND -0800 AND ON)**  
 ILLUSTRATED PARTS CATALOG

FIG ITEM	PART NUMBER	NOMENCLATURE	UNITS
			PER ASSY
01			
75	6334000-10	. . PLUG BUTTON . . . . .	04
76	6334003-4	. . SHIELD . . . . .	01
77	6334003-3	. . DOUBLER . . . . .	01
78	6334008-3	. . RIB-LH . . . . .	01
- 79	6334008-4	. . RIB-RH . . . . .	01
80	6334009-3	. . RIB-LH . . . . .	01
- 81	6334009-4	. . RIB-RH . . . . .	01
82	6334010-3	. . RIB-FWD . . . . .	01
83	6334010-5	. . RIB-LH AFT . . . . .	01
- 84	6334010-4	. . RIB-RH AFT . . . . .	01
85	6334011-3	. . RIB-FWD . . . . .	01
86	6334011-5	. . RIB-LH AFT . . . . .	01
- 87	6334011-4	. . RIB-RH AFT . . . . .	01
88	6334012-3	. . RIB-FWD . . . . .	01
89	6334012-5	. . RIB-LH AFT . . . . .	01
- 90	6334012-4	. . RIB-RH AFT . . . . .	01
91	6334013-3	. . RIB-FWD . . . . .	01
92	6334013-4	. . RIB-CENTER . . . . .	01
93	MS21047L3	. . NUTPLATE . . . . .	01
94	6334013-5	. . RIB-AFT . . . . .	01
95	6334014-3	. . RIB-FWD . . . . .	01
96	6334014-4	. . RIB-CENTER . . . . .	01
97	6334014-5	. . RIB-AFT . . . . .	01
98	6334015-3	. . RIB-FWD . . . . .	01
99	6334015-4	. . RIB-CENTER . . . . .	01
100	6334015-5	. . RIB-AFT . . . . .	01
101	6334016-3	. . RIB-FWD . . . . .	01
102	6334016-4	. . RIB-CENTER . . . . .	01
103	6334016-5	. . RIB-AFT . . . . .	01
104	6334017-6	. . RIB-FWD . . . . .	01
105	6334017-4	. . RIB-CENTER . . . . .	01
106	6334017-5	. . RIB-AFT . . . . .	01
107	6334018-3	. . RIB ASSY-FWD . . . . .	01
- 108	MS21069L06	. . NUTPLATE . . . . .	01
109	6334018-5	. . RIB-CENTER . . . . .	01
110	6334018-6	. . RIB-AFT . . . . .	01
111	6334000-7	. . DOUBLER . . . . .	02
112	6234251-1	. . CENTERING STRIP . . . . .	02
113	6334000-8	. . DOUBLER . . . . .	01
114	6334000-9	. . DOUBLER . . . . .	01

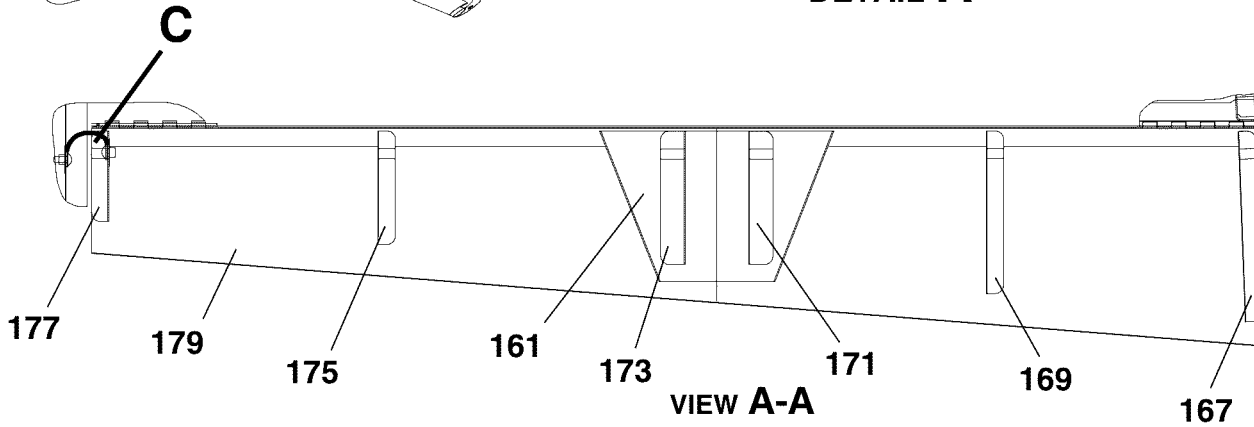
- ITEM NOT ILLUSTRATED

CESSNA®  
**MODEL 525 (SERIALS -0685 AND -0800 AND ON)**  
 ILLUSTRATED PARTS CATALOG

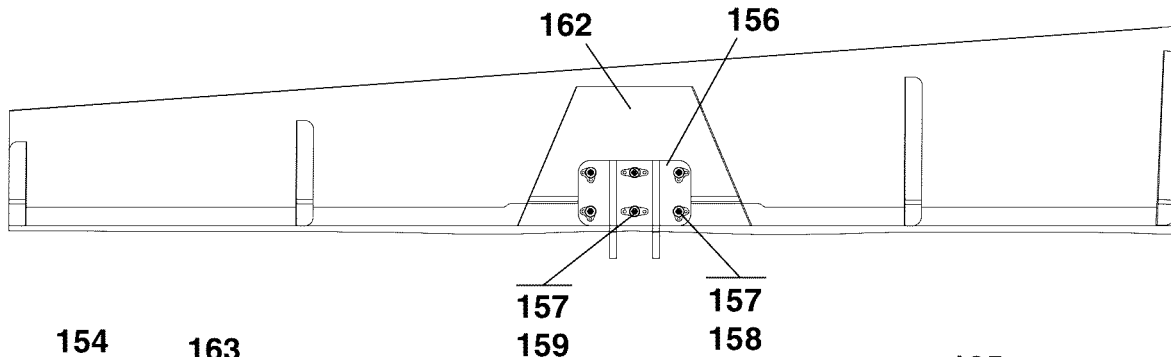
A87750



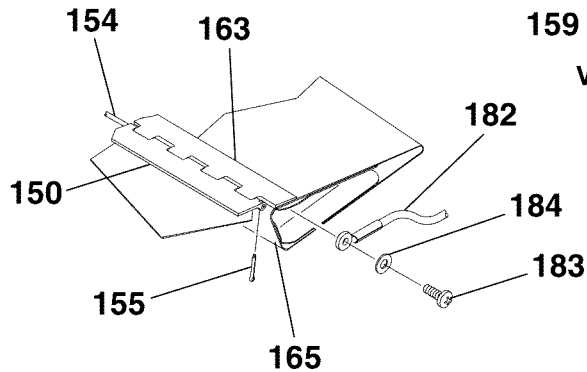
**DETAIL A**



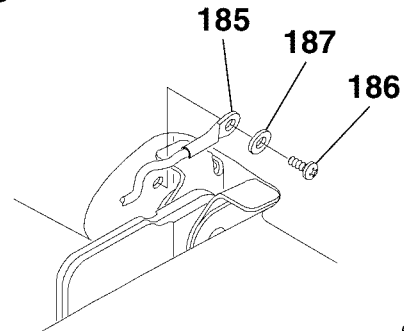
**VIEW A-A**



**VIEW B-B**



**DETAIL C**



**DETAIL B**

6310T1168  
 A6334T1023  
 B6334T1023  
 C6334T1023  
 AA6334T1023  
 BB6334T1023

ELEVATOR ASSEMBLY  
 FIGURE 01 (SHEET 3)



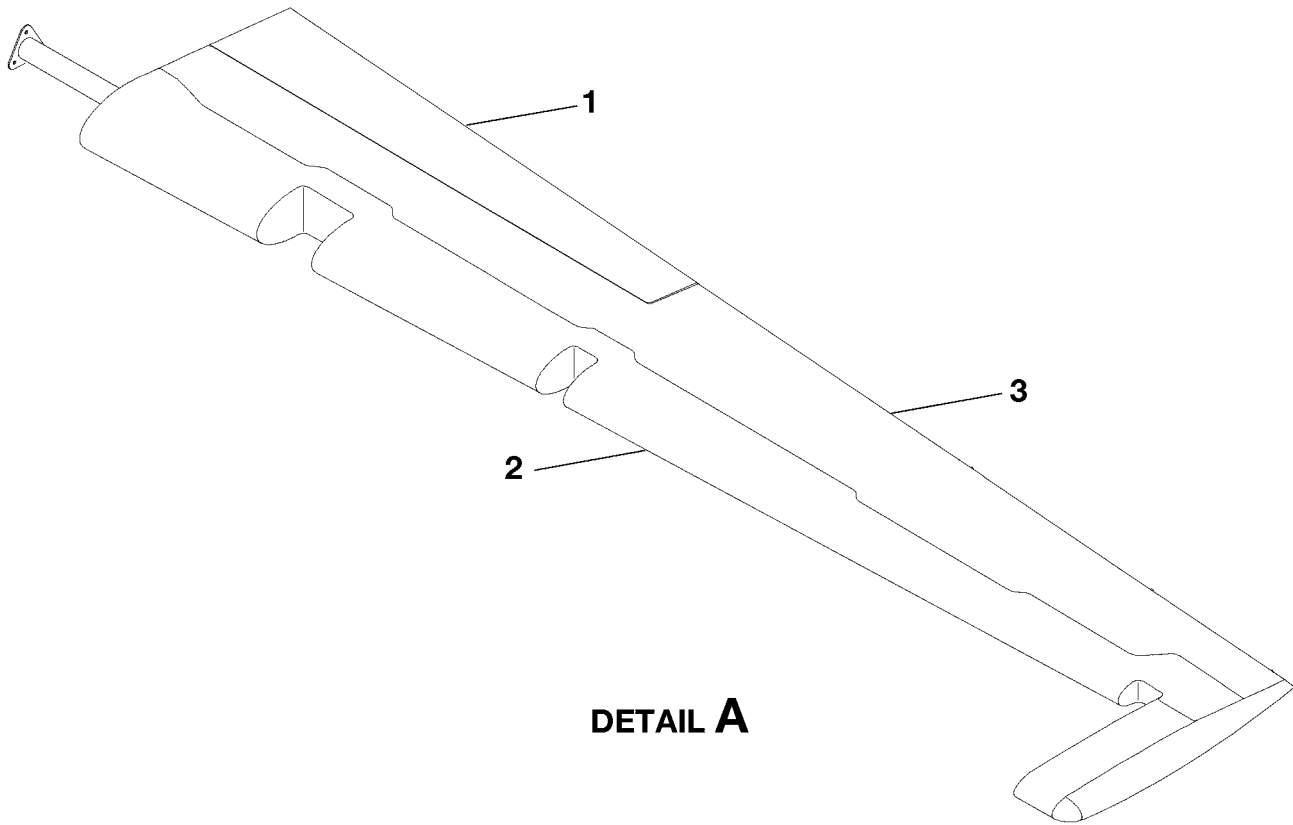
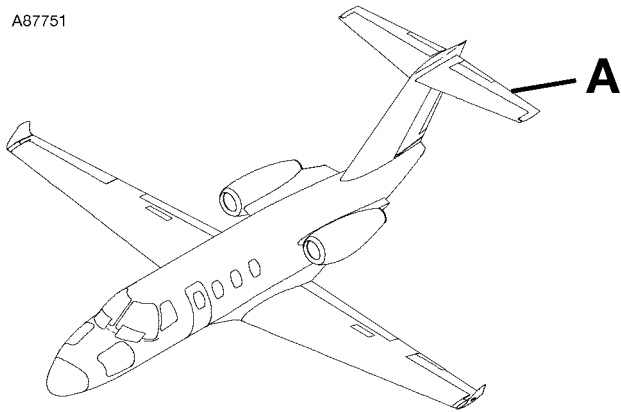
CESSNA®  
**MODEL 525 (SERIALS -0685 AND -0800 AND ON)**  
 ILLUSTRATED PARTS CATALOG

FIG ITEM	PART NUMBER	NOMENCLATURE	UNITS
			PER ASSY
01			
150	6334006-7	. . . HINGE HALF-LH . . . . .	01
- 151	6334006-8	. . . HINGE HALF-RH . . . . .	01
- 152	6334007-3	. . . TRIM TAB ASSY-LH ELEVATOR . . . . .	01
- 153	6334007-4	. . . TRIM TAB ASSY-RH ELEVATOR . . . . .	01
		ATTACHING PARTS	
154	MS20253P2-3970L	. . . HINGE PIN . . . . .	01
155	MS24665-132	. . . COTTER PIN . . . . .	02
		—*—	
156	6534007-39	. . . HORN ASSY . . . . .	01
		ATTACHING PARTS	
157	MS27039-1-10	. . . SCREW . . . . .	06
158	MS21073L3	. . . NUTPLATE . . . . .	04
159	MS21047L3	. . . NUTPLATE . . . . .	02
		—*—	
- 160	S2629-1	. . . BEARING . . . . .	02
161	6334007-18	. . . DOUBLER-UPPER . . . . .	01
162	6334007-17	. . . DOUBLER-LOWER . . . . .	01
163	6334007-5	. . . HINGE HALF-LH . . . . .	01
- 164	6334007-6	. . . HINGE HALF-RH . . . . .	01
165	6334007-23	. . . SPAR-LH . . . . .	01
- 166	6334007-24	. . . SPAR-RH . . . . .	01
167	6334007-21	. . . RIB-LH INBOARD . . . . .	01
- 168	6334007-22	. . . RIB-RH INBOARD . . . . .	01
169	6334007-19	. . . RIB-LH MID INBOARD . . . . .	01
- 170	6334007-20	. . . RIB-RH MID INBOARD . . . . .	01
171	6334007-15	. . . RIB-LH MID . . . . .	01
- 172	6334007-16	. . . RIB-RH MID . . . . .	01
173	6334007-13	. . . RIB-LH MID . . . . .	01
- 174	6334007-14	. . . RIB-RH MID . . . . .	01
175	6334007-9	. . . RIB-LH MID OUTBOARD . . . . .	01
- 176	6334007-10	. . . RIB-RH MID OUTBOARD . . . . .	01
177	6334007-7	. . . RIB-LH OUTBOARD . . . . .	01
- 178	6334007-8	. . . RIB-RH OUTBOARD . . . . .	01
179	6334007-11	. . . SKIN-LH . . . . .	01
- 180	6334007-12	. . . SKIN-RH . . . . .	01
- 181	MS21047L3	. . . NUTPLATE . . . . .	01
182	MS25083-2BB3	. . . JUMPER ASSY-TRIM TAB . . . . .	01
		ATTACHING PARTS	
183	MS27039-1-08	. . . SCREW . . . . .	02
184	NAS1149F0332P	. . . WASHER . . . . .	02
		—*—	
185	MS25083-2AB6	. . . JUMPER ASSY . . . . .	02
		ATTACHING PARTS	
186	MS35206-228	. . . SCREW . . . . .	01
187	AN961-6T	. . . WASHER . . . . .	01
		—*—	

- ITEM NOT ILLUSTRATED

CESSNA®  
**MODEL 525 (SERIALS -0685 AND -0800 AND ON)**  
ILLUSTRATED PARTS CATALOG

A87751



**DETAIL A**

ELEVATOR SKINS  
FIGURE 02 (SHEET 1)

6310T1168  
A6334T1001

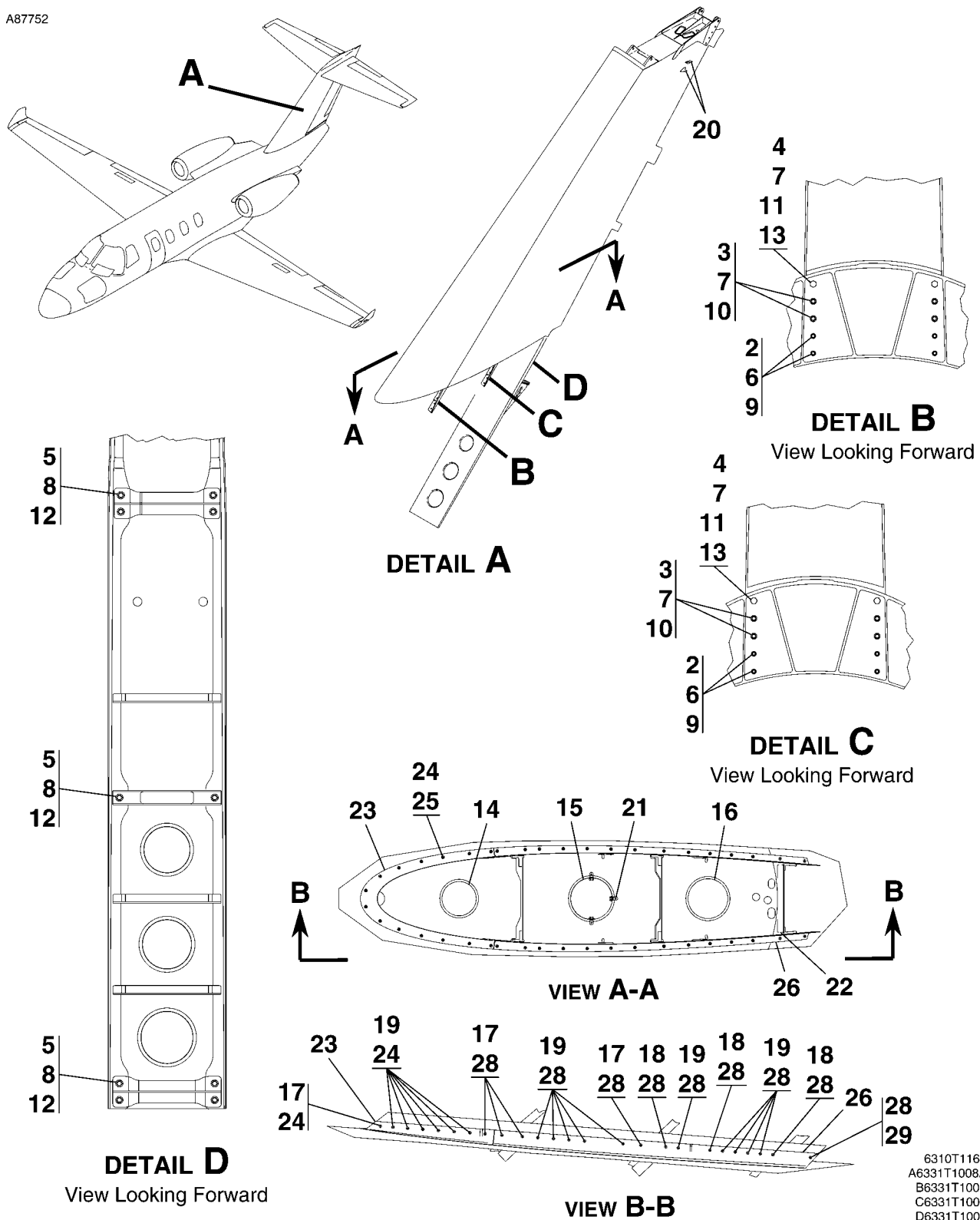
CESSNA®  
**MODEL 525 (SERIALS -0685 AND -0800 AND ON)**  
 ILLUSTRATED PARTS CATALOG

FIG ITEM	PART NUMBER	1 2 3 4 5 6 7	NOMENCLATURE	UNITS PER ASSY
02			ELEVATOR SKINS	
-			. ELEVATOR ASSY-REFER TO 55-20-00 FIGURE 01 . . . . .	RF
1			. SKIN-LEADING EDGE LH AND RH . . . . .	RF
2	6334000-5		. SKIN-TRAILING EDGE LH . . . . .	02
3	6334000-3		. SKIN-TRAILING EDGE RH . . . . .	01
- 4	6334000-4		. SKIN-TRAILING EDGE RH . . . . .	01

- ITEM NOT ILLUSTRATED

CESSNA®  
**MODEL 525 (SERIALS -0685 AND -0800 AND ON)**  
 ILLUSTRATED PARTS CATALOG

A87752



VERTICAL STABILIZER ASSEMBLY  
 FIGURE 01 (SHEET 1)

6310T1168  
 A6331T1008A  
 B6331T1002  
 C6331T1003  
 D6331T1004  
 AA6331T1001  
 BB6331T1001

CESSNA®  
**MODEL 525 (SERIALS -0685 AND -0800 AND ON)**  
 ILLUSTRATED PARTS CATALOG

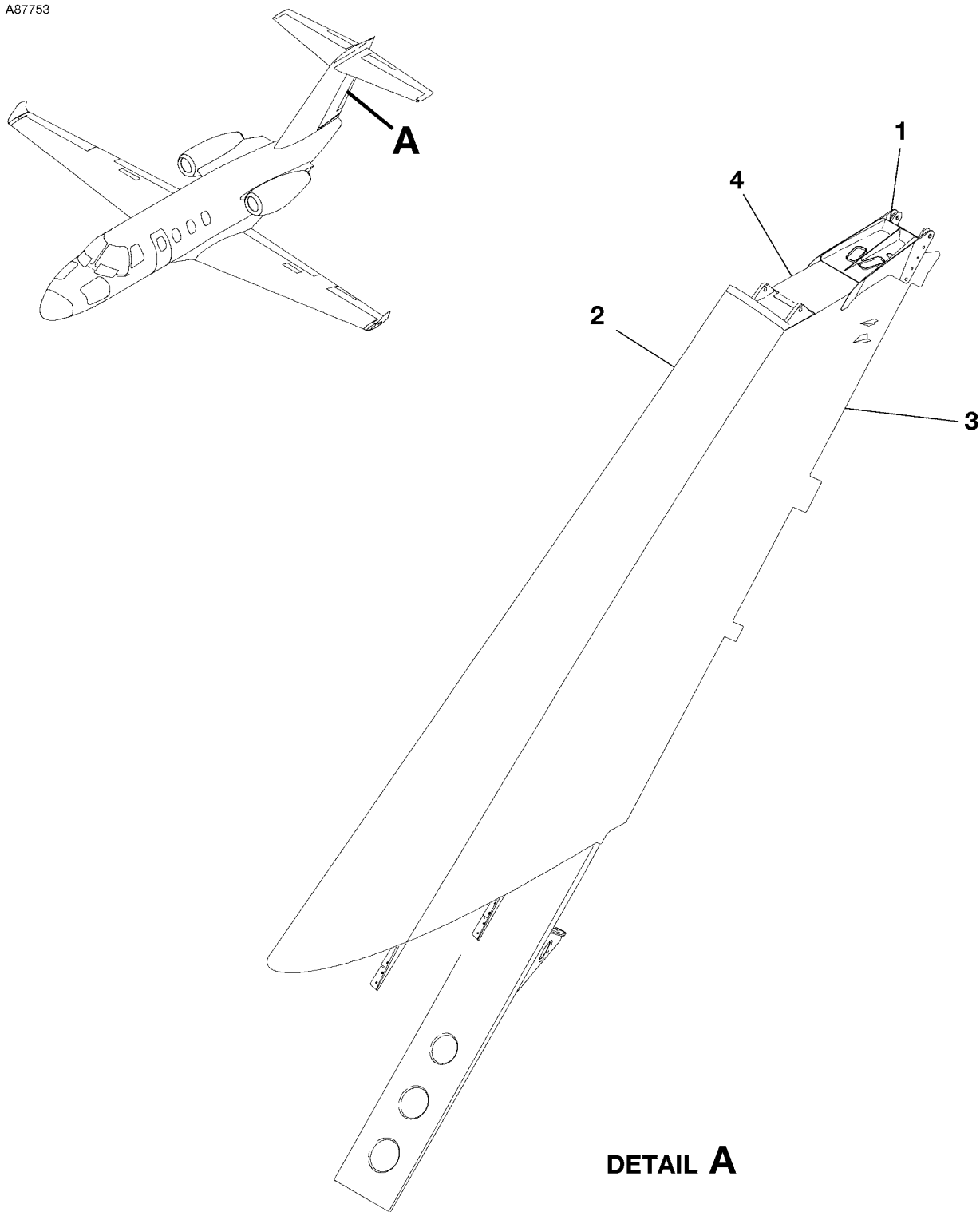
FIG ITEM	PART NUMBER	NOMENCLATURE	UNITS
			PER ASSY
		1 2 3 4 5 6 7	
01		VERTICAL STABILIZER ASSEMBLY	RF
- 1	6331000-1	. VERTICAL STABILIZER ASSY . . . . .	01
		. ATTACHING PARTS	
2	NAS6204-4	. BOLT . . . . .	08
3	NAS6205-6	. BOLT . . . . .	08
- 3A	NAS6205-6X	. BOLT REFER TO NOTE 1 . . . . .	AR R
4	NAS6205-10D	. BOLT . . . . .	04
5	NAS6206-9	. BOLT . . . . .	10
- 5A	NAS6206-9X	. BOLT REFER TO NOTE 2 . . . . .	AR R
6	NAS1149F0463P	. WASHER . . . . .	08
7	NAS1149F0563P	. WASHER . . . . .	12
8	NAS1149F0663P	. WASHER . . . . .	10
9	MS21042L4	. NUT . . . . .	08
10	MS21042L5	. NUT . . . . .	08
11	MS17825-5	. NUT . . . . .	04
12	MS21042L6	. NUT . . . . .	10
13	MS24665-136	. COTTER PIN . . . . .	04
		—*—	
14	6331007-2	. RIB-NOSE . . . . .	01
15	6331007-3	. RIB-CENTER . . . . .	01
16	6331007-6	. RIB-REAR . . . . .	01
17	MS21061-3	. NUTPLATE . . . . .	10
18	MS21075-3N	. NUTPLATE . . . . .	06
19	MS21059L3	. NUTPLATE . . . . .	32
20	6222128-1	. VORTEX GENERATOR . . . . .	04
21	S4132-1	. ANCHOR . . . . .	03
22	6331007-5	. CHANNEL . . . . .	01
23	6331022-2	. ANGLE-NOSE . . . . .	01
		. ATTACHING PARTS	
24	AN525-10R9	. SCREW . . . . .	30
25	MS21075L3N	. NUTPLATE . . . . .	14
		—*—	
26	6331022-3	. ANGLE-LH . . . . .	01
- 27	6331022-4	. ANGLE-RH . . . . .	01
		. ATTACHING PARTS	
28	AN525-10R9	. SCREW . . . . .	31
29	MS21075L3N	. NUTPLATE . . . . .	14
		—*—	

NOTE 1—INSTALL NAS6205-6X BOLT INLIEU OF NAS6205-6 BOLT AS REQUIRED FOR AIRPLANES -0869 AND -0878. R

NOTE 2—INSTALL NAS6206-9X BOLT INLIEU OF NAS6206-9 BOLT AS REQUIRED FOR AIRPLANES -0859, -0861, 0864, AND -0862. R

CESSNA®  
**MODEL 525 (SERIALS -0685 AND -0800 AND ON)**  
ILLUSTRATED PARTS CATALOG

A87753



VERTICAL STABILIZER SKINS  
FIGURE 02 (SHEET 1)

6310T1168  
A6355T1028

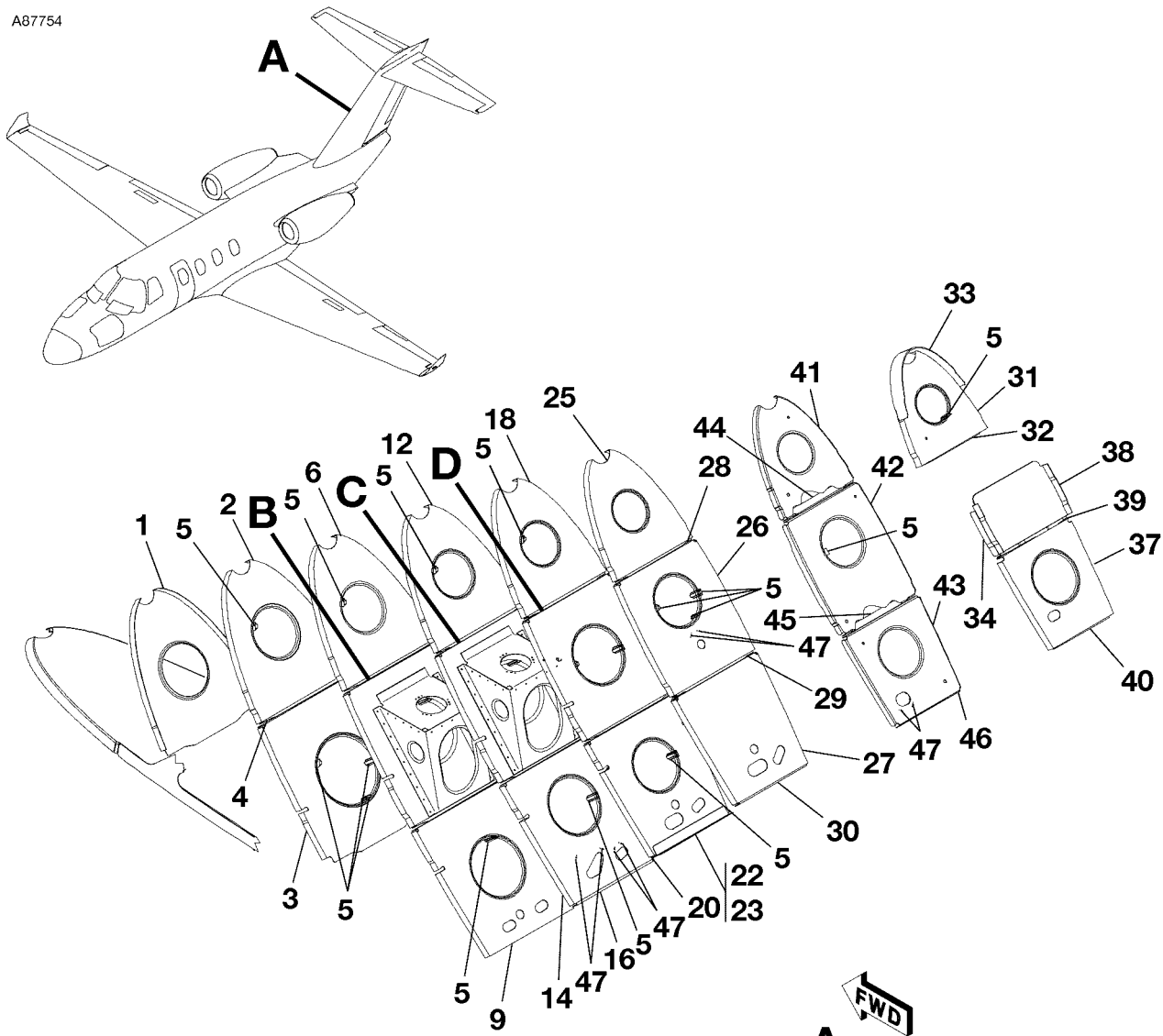
CESSNA®  
**MODEL 525 (SERIALS -0685 AND -0800 AND ON)**  
 ILLUSTRATED PARTS CATALOG

FIG ITEM	PART NUMBER	1 2 3 4 5 6 7	NOMENCLATURE	UNITS PER ASSY
02			VERTICAL STABILIZER SKINS	
-			. VERTICAL STABILIZER ASSY REFER TO 55-30-00 FIGURE 01 . . . . .	RF
1			. SKIN-LEADING EDGE . . . . .	RF
2	6331024-31		. SKIN ASSY-LH . . . . .	01
3	6331024-41		. SKIN ASSY-RH . . . . .	01
4	6331024-42		. SKIN BOND ASSY-LH . . . . .	01
- 5	6331024-43		. SKIN BOND ASSY-RH . . . . .	01
- 6	6331024-44			01

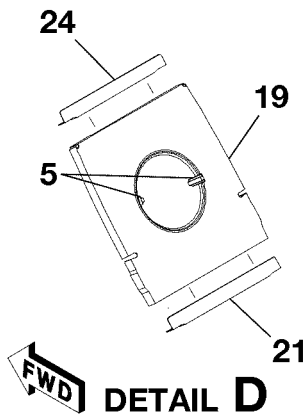
- ITEM NOT ILLUSTRATED

CESSNA®  
**MODEL 525 (SERIALS -0685 AND -0800 AND ON)**  
 ILLUSTRATED PARTS CATALOG

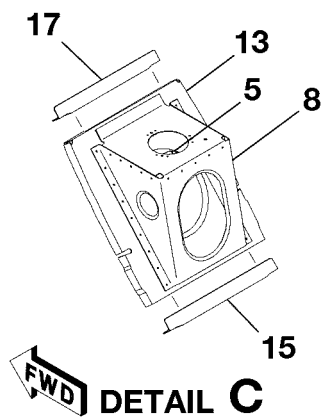
A87754



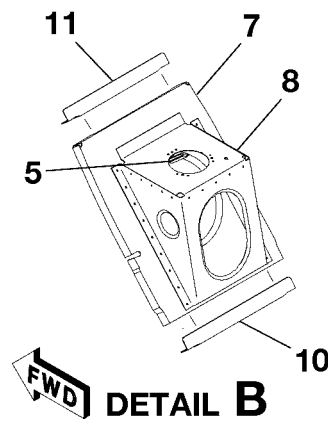
**DETAIL A**



**DETAIL D**



**DETAIL C**



**DETAIL B**

VERTICAL STABILIZER STRUCTURE INSTALLATION  
 FIGURE 03 (SHEET 1)

6310T1168  
 A6331T1025  
 B6331T1025  
 C6331T1025  
 D6331T1025

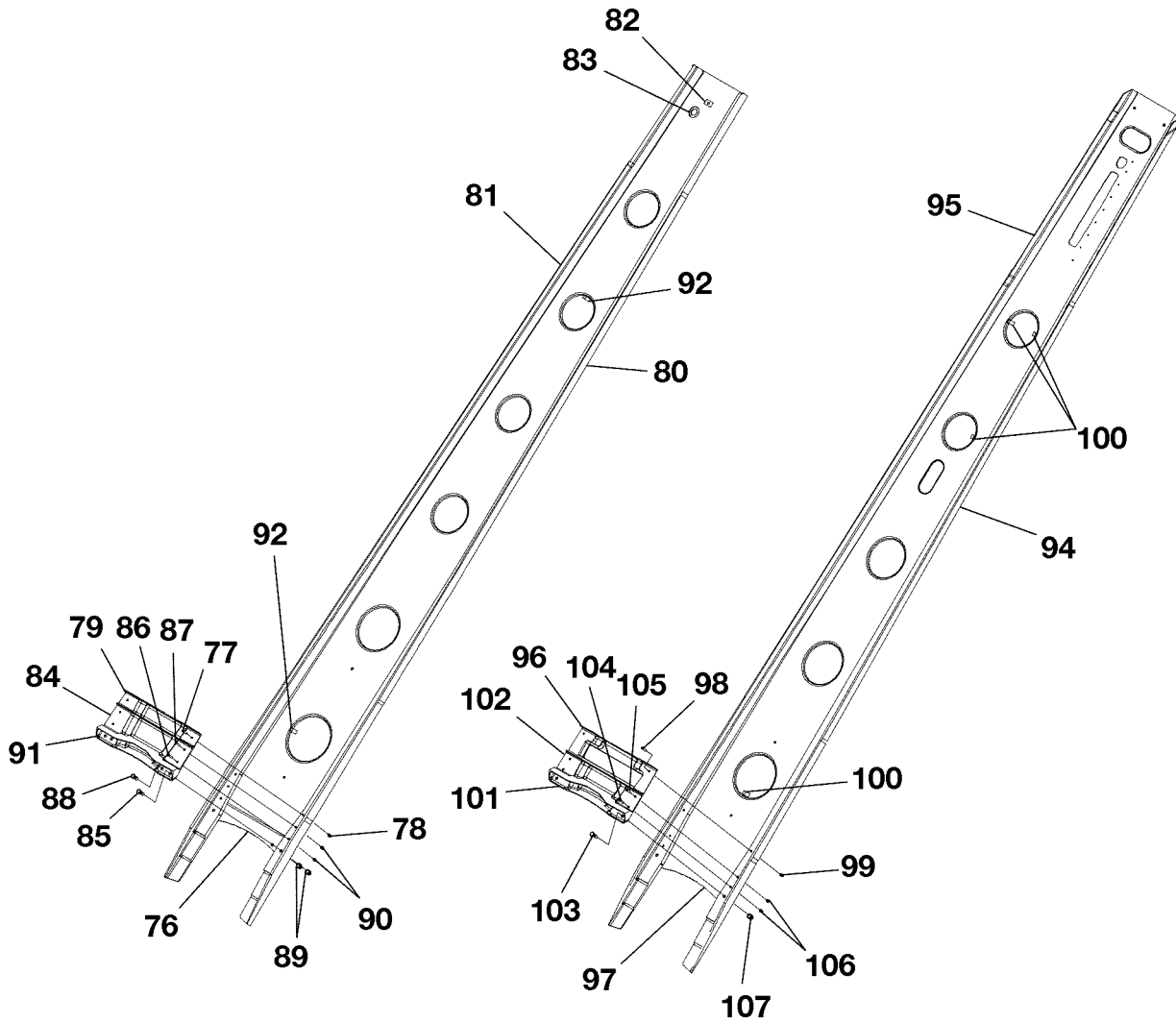
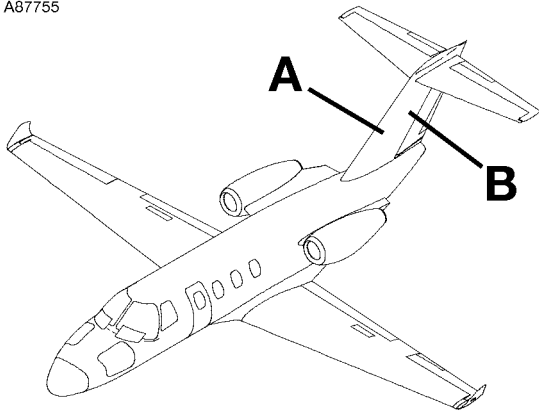


CESSNA®  
**MODEL 525 (SERIALS -0685 AND -0800 AND ON)**  
 ILLUSTRATED PARTS CATALOG

FIG ITEM	PART NUMBER	NOMENCLATURE	UNITS
			PER ASSY
03		VERTICAL STABILIZER STRUCTURE INSTALLATION	RF
-			
1	6331008-2	. RIB-FWD . . . . .	01
2	6331020-2	. RIB-FWD . . . . .	01
3	6331020-3	. RIB-AFT . . . . .	01
4	6331020-4	. CLIP . . . . .	01
5	S4132-1	. ANCHOR . . . . .	23
6	6331010-2	. RIB-FWD . . . . .	01
7	6331010-3	. RIB-CTR . . . . .	01
8	9154003-4	. BRACKET ASSY . . . . .	02
9	6331010-7	. RIB-AFT . . . . .	01
10	6331010-8	. CLIP . . . . .	01
11	6331010-5	. CLIP . . . . .	01
12	6331011-2	. RIB-FWD . . . . .	01
13	6331011-3	. RIB-CTR . . . . .	01
14	6331011-9	. RIB-AFT . . . . .	01
15	6331011-6	. CLIP . . . . .	01
16	6331011-7	. CLIP . . . . .	01
17	6331011-5	. CLIP . . . . .	01
18	6331021-2	. RIB-FWD . . . . .	01
19	6331021-3	. RIB-CTR . . . . .	01
20	6331021-9	. RIB-AFT . . . . .	01
21	6331021-6	. CLIP . . . . .	01
22	6331021-7	. CLIP . . . . .	01
23	6331021-8	. CLIP . . . . .	01
24	6331021-5	. CLIP . . . . .	01
25	6331012-2	. RIB-FWD . . . . .	01
26	6331033-7	. RIB-CTR . . . . .	01
27	6331012-9	. RIB-AFT . . . . .	01
28	6331012-5	. CLIP . . . . .	01
29	6331012-6	. CLIP . . . . .	01
30	6331012-7	. CLIP . . . . .	01
31	6331014-5	. RIB-FWD . . . . .	01
32	6331014-3	. CLIP . . . . .	01
33	6331014-7	. DOUBLER . . . . .	01
34	6331015-3	. RIB-CTR . . . . .	01
		ATTACHING PARTS	
- 35	HL19PB5-3	. PIN-HI-LOK . . . . . V73197	01
- 36	HL70-5	. COLLAR-HI-LOK . . . . . V73197	01
		—*	
37	6331015-7	. RIB-AFT . . . . .	01
38	6331015-2	. RIB DOUBLER . . . . .	01
39	6331015-5	. SUPPORT ANGLE . . . . .	01
40	6331015-6	. CLIP ANGLE . . . . .	01
41	6331013-2	. RIB-FWD . . . . .	01
42	6331013-3	. RIB-CTR . . . . .	01
43	6331013-9	. RIB-AFT . . . . .	01
44	6331013-5	. CLIP . . . . .	01
45	6331013-6	. CLIP . . . . .	01
46	6331013-7	. CLIP . . . . .	01
47	MS21060L3K	. NUTPLATE . . . . .	08

CESSNA®  
MODEL 525 (SERIALS -0685 AND -0800 AND ON)  
ILLUSTRATED PARTS CATALOG

A87755



**DETAIL A**

**DETAIL B**

VERTICAL STABILIZER STRUCTURE INSTALLATION  
FIGURE 03 (SHEET 2)

6310T1168  
A6331T1021  
B6331T1021

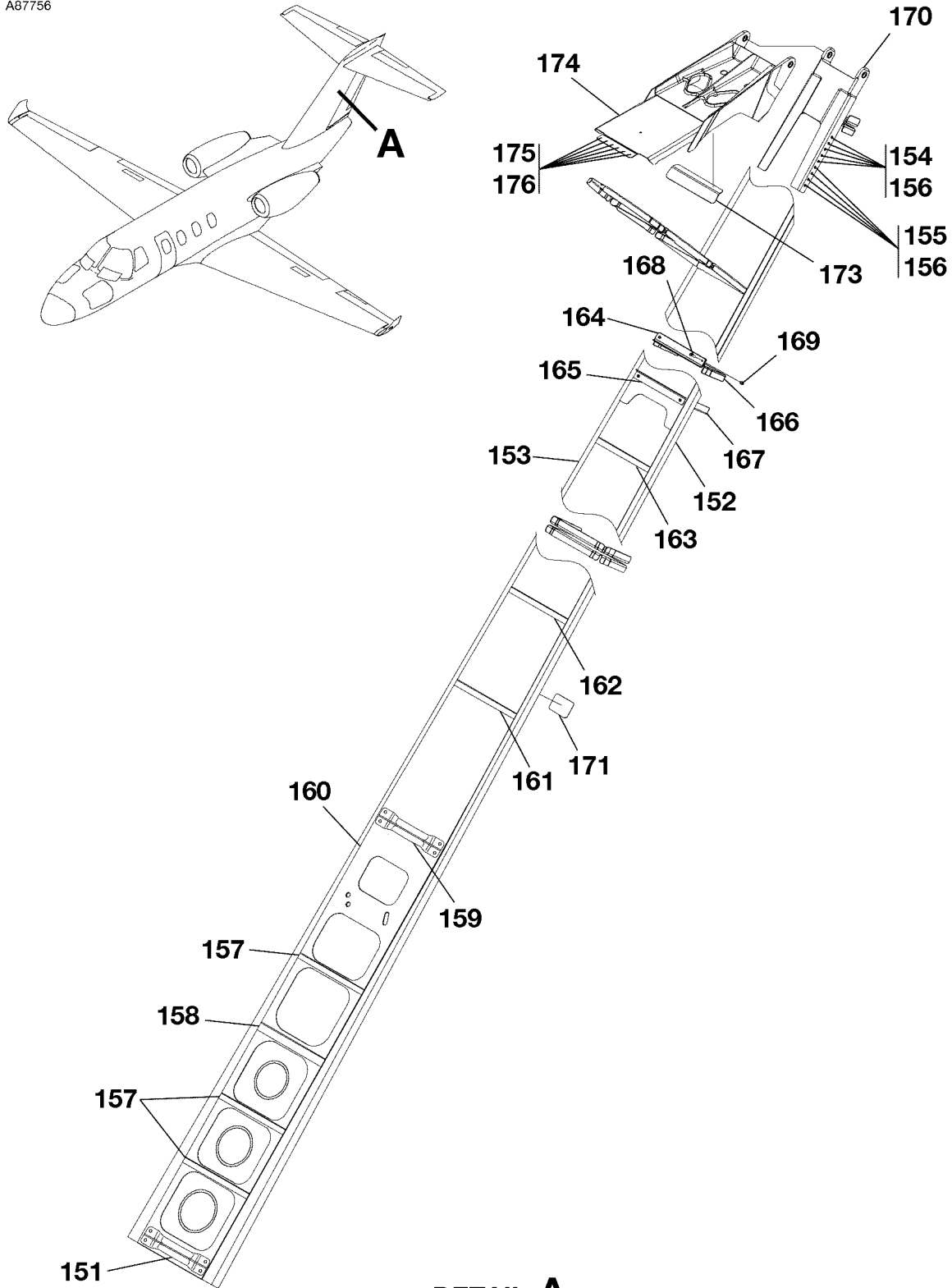
CESSNA®  
**MODEL 525 (SERIALS -0685 AND -0800 AND ON)**  
 ILLUSTRATED PARTS CATALOG

FIG ITEM	PART NUMBER	NOMENCLATURE	UNITS
			PER ASSY
03			
- 75	6331001-2	. SPAR ASSY-FWD . . . . .	01
76	6331001-13	. . WEB BOND ASSY . . . . .	01
		ATTACHING PARTS	
77	HL10VBJ5-8	. . PIN-HI-LOK . . . . . V73197	02
78	HL70-5	. . COLLAR-HI-LOK . . . . . V73197	02
		—*—	
79	6331001-15	. . FITTING . . . . .	01
80	6331001-17	. . SPAR CAP-LH FWD . . . . .	01
81	6331001-18	. . SPAR CAP-RH FWD . . . . .	01
82	S1741-5	. . ANCHOR . . . . .	02
83	MS35489-22	. . GROMMET . . . . .	01
84	6331001-14	. . FITTING . . . . .	01
		ATTACHING PARTS	
85	HL10VBJ10-7	. . PIN-HI-LOK . . . . . V73197	02
86	HL11VBJ5-8	. . PIN-HI-LOK . . . . . V73197	02
87	HL10VBJ5-8	. . PIN-HI-LOK . . . . . V73197	02
88	HL10VBJ5-12	. . PIN-HI-LOK . . . . . V73197	02
89	HL70-10	. . COLLAR-HI-LOK . . . . . V73197	02
90	HL70-5	. . COLLAR-HI-LOK . . . . . V73197	06
		—*—	
91	6331001-16	. . STIFFENER . . . . .	01
92	S4132-1	. . MOUNT . . . . .	02
- 93	6331002-19	. . SPAR ASSY-CTR . . . . .	01
94	6331002-7	. . SPAR CAP-LH CTR . . . . .	01
95	6331002-8	. . SPAR CAP-RH CTR . . . . .	01
96	6331002-9	. . FITTING . . . . .	01
97	6331630-3	. . WEB BOND ASSY . . . . .	01
		ATTACHING PARTS	
98	HL10VBJ5-8	. . PIN-HI-LOK . . . . . V73197	02
99	HL70-5	. . COLLAR-HI-LOK . . . . . V73197	02
		—*—	
100	S4132-1	. . MOUNT . . . . .	04
101	6331002-10	. . STIFFENER . . . . .	01
102	6331002-6	. . FITTING . . . . .	01
		ATTACHING PARTS	
103	HL10VBJ10-7	. . PIN-HI-LOK . . . . . V73197	02
104	HL11VBJ5-8	. . PIN-HI-LOK . . . . . V73197	02
105	HL10VBJ5-8	. . PIN-HI-LOK . . . . . V73197	02
106	HL70-5	. . COLLAR-HI-LOK . . . . . V73197	04
107	HL82-10	. . COLLAR-HI-LOK . . . . . V73197	02
		—*—	

- ITEM NOT ILLUSTRATED

CESSNA®  
MODEL 525 (SERIALS -0685 AND -0800 AND ON)  
ILLUSTRATED PARTS CATALOG

A87756



**DETAIL A**

VERTICAL STABILIZER STRUCTURE INSTALLATION  
FIGURE 03 (SHEET 3)

6310T1168  
A6331T1021

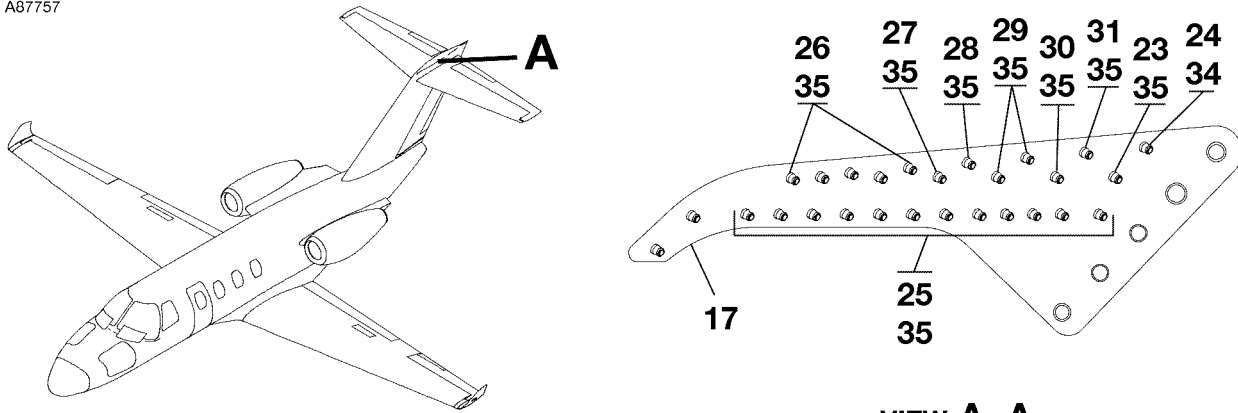
CESSNA®  
**MODEL 525 (SERIALS -0685 AND -0800 AND ON)**  
 ILLUSTRATED PARTS CATALOG

FIG ITEM	PART NUMBER	NOMENCLATURE	UNITS
			PER ASSY
		1 2 3 4 5 6 7	
03			
- 150	6331103-29	. SPAR ASSY-AFT . . . . .	01
151	6331103-9	. ATTACH STIFFENER . . . . .	01
152	6331103-27	. CAP-LH . . . . .	01
153	6331103-28	. CAP-RH . . . . .	01
		ATTACHING PARTS	
154	HL11VBJ5-10	. PIN-HI-LOK . . . . . V73197	05
155	HL11VBJ5-9	. PIN-HI-LOK . . . . . V73197	04
156	HL82-5	. COLLAR-HI-LOK . . . . . V73197	09
		—*—	
157	6331103-11	. STIFFENER . . . . .	03
158	6331103-10	. ATTACH BRACE . . . . .	01
159	6331103-21	. ATTACH STIFFENER . . . . .	01
160	6331103-3	. SPAR BOND ASSY . . . . .	01
161	6331103-13	. STIFFENER . . . . .	01
162	6331103-14	. STIFFENER . . . . .	01
163	6331103-15	. STIFFENER . . . . .	01
164	6331103-26	. ATTACH ANGLE-UPR . . . . .	01
165	6331103-25	. ATTACH ANGLE-LWR . . . . .	01
166	6331103-24	. ATTACH BRACKET-UPR . . . . .	01
167	6331103-23	. ATTACH BRACKET-LWR . . . . .	01
		ATTACHING PARTS	
168	HL20PB-5-3	. PIN-HI-LOK . . . . . V73197	02
169	HL86-5	. COLLAR-HI-LOK . . . . . V73197	02
		—*—	
170		. PIVOT FITTING ASSY-REFER TO 55-30-01 FIGURE 01 . . . . .	RF
171	MS27253-1	. PLATE IDENTIFICATION-FSO S2674-3 . . . . .	NP
- 172	S2674-3	. PLATE IDENTIFICATION-FOR SPARES ONLY . . . . .	01
173	6331016-3	. ANGLE . . . . .	01
174	6331016-2	. RIB-CTR . . . . .	01
		ATTACHING PARTS	
175	HL10VBJ5-4	. PIN-HI-LOK . . . . . V73197	07
176	HL70-5	. COLLAR-HI-LOK . . . . . V73197	07
		—*—	

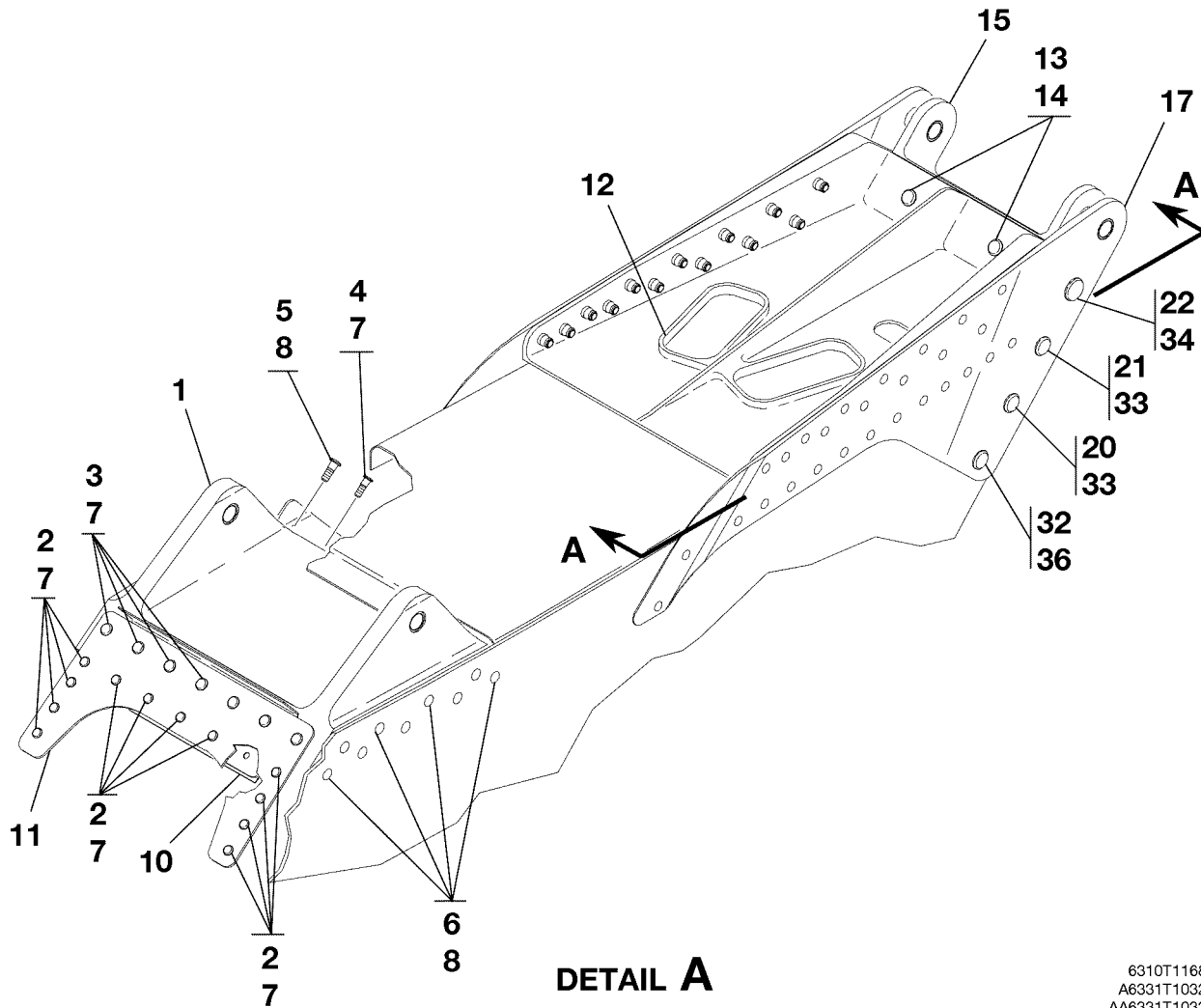
- ITEM NOT ILLUSTRATED

CESSNA®  
**MODEL 525 (SERIALS -0685 AND -0800 AND ON)**  
 ILLUSTRATED PARTS CATALOG

A87757



**VIEW A-A**



**DETAIL A**

**HINGES AND FITTINGS - VERTICAL STABILIZER**  
 FIGURE 01 (SHEET 1)

6310T1168  
 A6331T1032  
 AA6331T1032

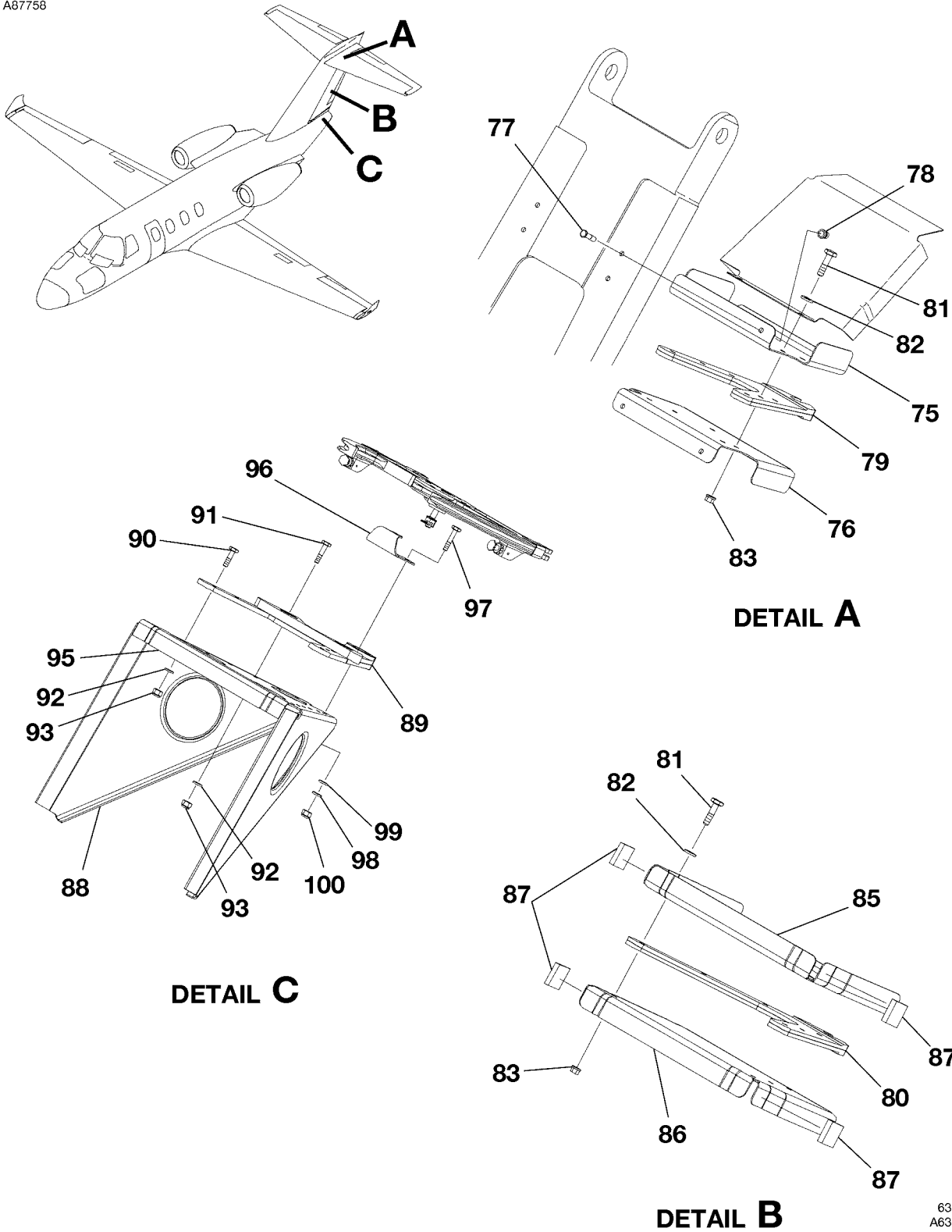
CESSNA®  
**MODEL 525 (SERIALS -0685 AND -0800 AND ON)**  
 ILLUSTRATED PARTS CATALOG

FIG ITEM	PART NUMBER	NOMENCLATURE	UNITS PER ASSY
	1 2 3 4 5 6 7		
01			
-		HINGES AND FITTINGS - VERTICAL STABILIZER	RF
1	6331017-1	. FITTING ASSY-FWD . . . . .	01
		ATTACHING PARTS	
2	HL10VBJ5-5	. PIN . . . . . V73197	13
3	HL10VBJ5-6	. PIN . . . . . V73197	07
4	HL10VBJ5-4	. PIN . . . . . V73197	05
5	HL10VBJ6-4	. PIN . . . . . V73197	02
6	HL11VBJ6-4	. PIN . . . . . V73197	18
7	HL70-5	. COLLAR . . . . . V73197	25
8	HL70-6	. COLLAR . . . . . V73197	20
		—*—	
- 9	NAS75-7-016	. . BUSHING . . . . .	02
10	6331023-2	. FILLER PLATE . . . . .	01
11	6331023-3	. ATTACH PLATE . . . . .	01
12	6331027-3	. FITTING-CENTER . . . . .	01
		ATTACHING PARTS	
13	HL10VBJ8-5	. PIN . . . . . V73197	02
14	HL70-8	. COLLAR . . . . . V73197	02
		—*—	
15	6331018-7	. PIVOT FITTING ASSY . . . . .	01
- 16	NAS75-7-008	. . BUSHING . . . . .	02
17	6331026-3	. SIDE PLATE ASSY-LH . . . . .	01
- 18	6331026-4	. SIDE PLATE ASSY-RH . . . . .	01
		ATTACHING PARTS	
20	HL10VBJ10-14	. PIN . . . . . V73197	01
21	HL10VBJ10-15	. PIN . . . . . V73197	01
22	HL10VBJ12-16	. PIN . . . . . V73197	01
23	HL11VBJ5-10	. PIN . . . . . V73197	01
24	HL11VBJ5-12	. PIN . . . . . V73197	01
25	HL11VBJ5-3	. PIN . . . . . V73197	12
26	HL11VBJ5-4	. PIN . . . . . V73197	05
27	HL11VBJ5-5	. PIN . . . . . V73197	01
28	HL11VBJ5-6	. PIN . . . . . V73197	01
29	HL11VBJ5-7	. PIN . . . . . V73197	02
30	HL11VBJ5-8	. PIN . . . . . V73197	01
31	HL11VBJ5-9	. PIN . . . . . V73197	01
32	HL11VBJ8-13	. PIN . . . . . V73197	01
33	HL70-10	. COLLAR . . . . . V73197	02
34	HL70-12	. COLLAR . . . . . V73197	01
35	HL70-5	. COLLAR . . . . . V73197	25
36	HL70-8	. COLLAR . . . . . V73197	01
		—*—	
- 37	NAS75-7-008	. . BUSHING . . . . .	01

- ITEM NOT ILLUSTRATED

CESSNA®  
**MODEL 525 (SERIALS -0685 AND -0800 AND ON)**  
 ILLUSTRATED PARTS CATALOG

A87758



HINGES AND FITTINGS - VERTICAL STABILIZER  
 FIGURE 01 (SHEET 2)

6310T1168  
 A6331T1033  
 B6331T1033  
 C6331T1033



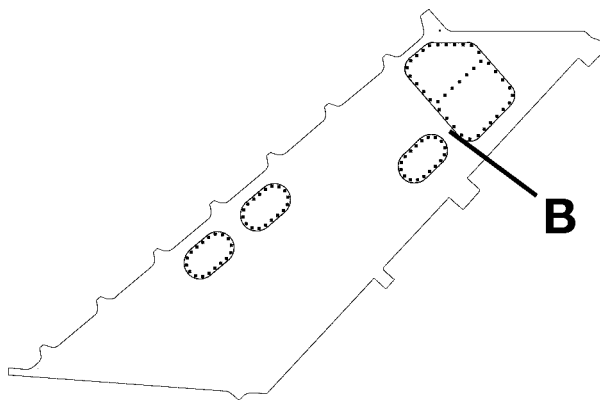
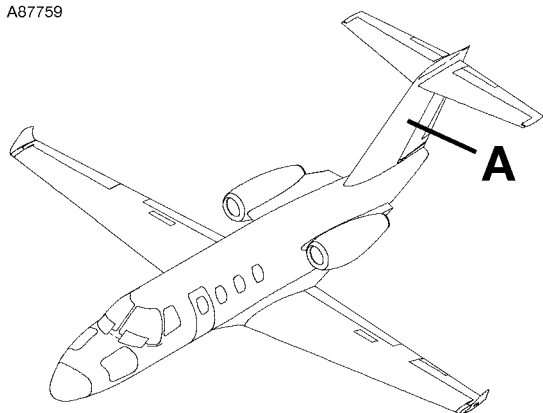
CESSNA®  
**MODEL 525 (SERIALS -0685 AND -0800 AND ON)**  
 ILLUSTRATED PARTS CATALOG

FIG ITEM	PART NUMBER	NOMENCLATURE	UNITS
			PER ASSY
		1 2 3 4 5 6 7	
01			
75	6331620-5	. RIB-UPPER . . . . .	01
76	6331620-6	. RIB-LOWER . . . . .	01
		ATTACHING PARTS	
77	HL10VBJ5-6	. PIN . . . . . V73197	02
78	HL70-5	. COLLAR . . . . . V73197	02
		—*—	
79	6331620-3	. BEARING PLATE ASSY-UPPER . . . . .	01
80	6331620-4	. BEARING PLATE ASSY-LOWER . . . . .	01
		ATTACHING PARTS	
81	AN3-6A	. BOLT . . . . .	06
82	NAS1149F0363P	. WASHER . . . . .	06
83	MS21042L3	. NUT . . . . .	06
		—*—	
- 84	MS27641-4	. . BEARING . . . . .	01
- 84A	MS20201KP4A	. . BEARING ALT FOR MS27641-4 . . . . .	01 R
85	6331620-7	. RIB-UPPER . . . . .	01
86	6331620-8	. RIB-LOWER . . . . .	01
87	6331006-11	. FILLER . . . . .	04
88	6361303-6	. BRACKET-LOWER . . . . .	01
89	6361303-5	. BEARING PLATE ASSY . . . . .	01
		ATTACHING PARTS	
90	AN3-6A	. BOLT . . . . .	06
91	AN3-7A	. BOLT . . . . .	04
92	NAS1149F0363P	. WASHER . . . . .	10
93	MS21044N3	. NUT . . . . .	10
		—*—	
- 94	MS27640-4	. . BEARING . . . . .	01
95	6331609-2	. ANGLE-LOWER . . . . .	01
96	6361303-18	. BRACKET-RIGGING . . . . .	01
		ATTACHING PARTS	
97	AN3-10A	. BOLT . . . . .	02
98	NAS1149F0332P	. WASHER . . . . .	02
99	NAS1149F0363P	. WASHER . . . . .	02
100	MS21044N3	. NUT . . . . .	02
		—*—	

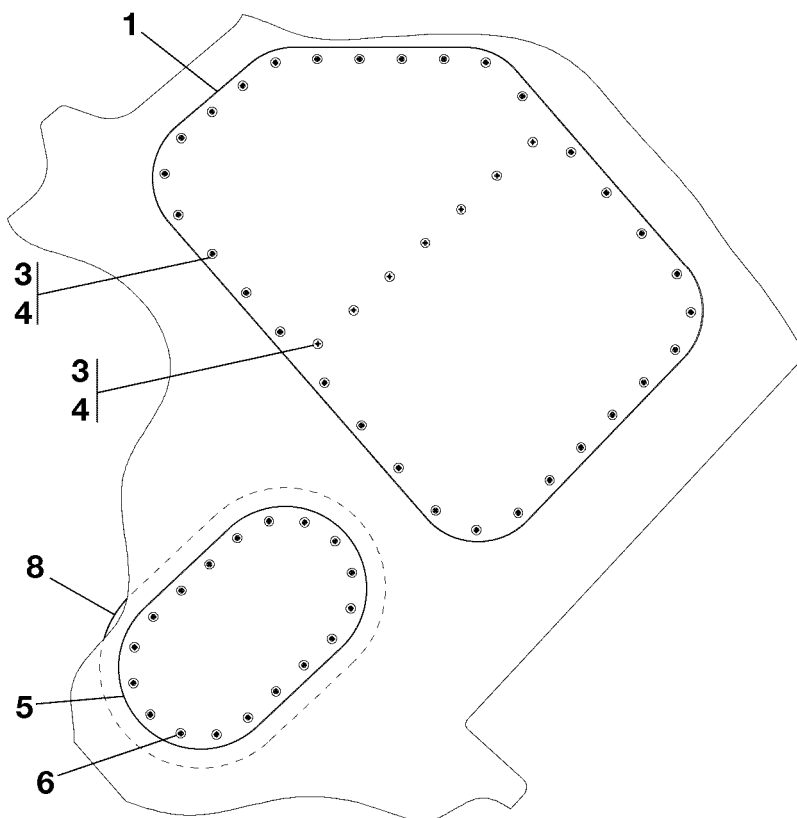
- ITEM NOT ILLUSTRATED

CESSNA®  
MODEL 525 (SERIALS -0685 AND -0800 AND ON)  
ILLUSTRATED PARTS CATALOG

A87759



**DETAIL A**



**DETAIL B**

ACCESS PANELS - VERTICAL STABILIZER  
FIGURE 02 (SHEET 1)

6310T1168  
A6331T1005  
B6331T1005

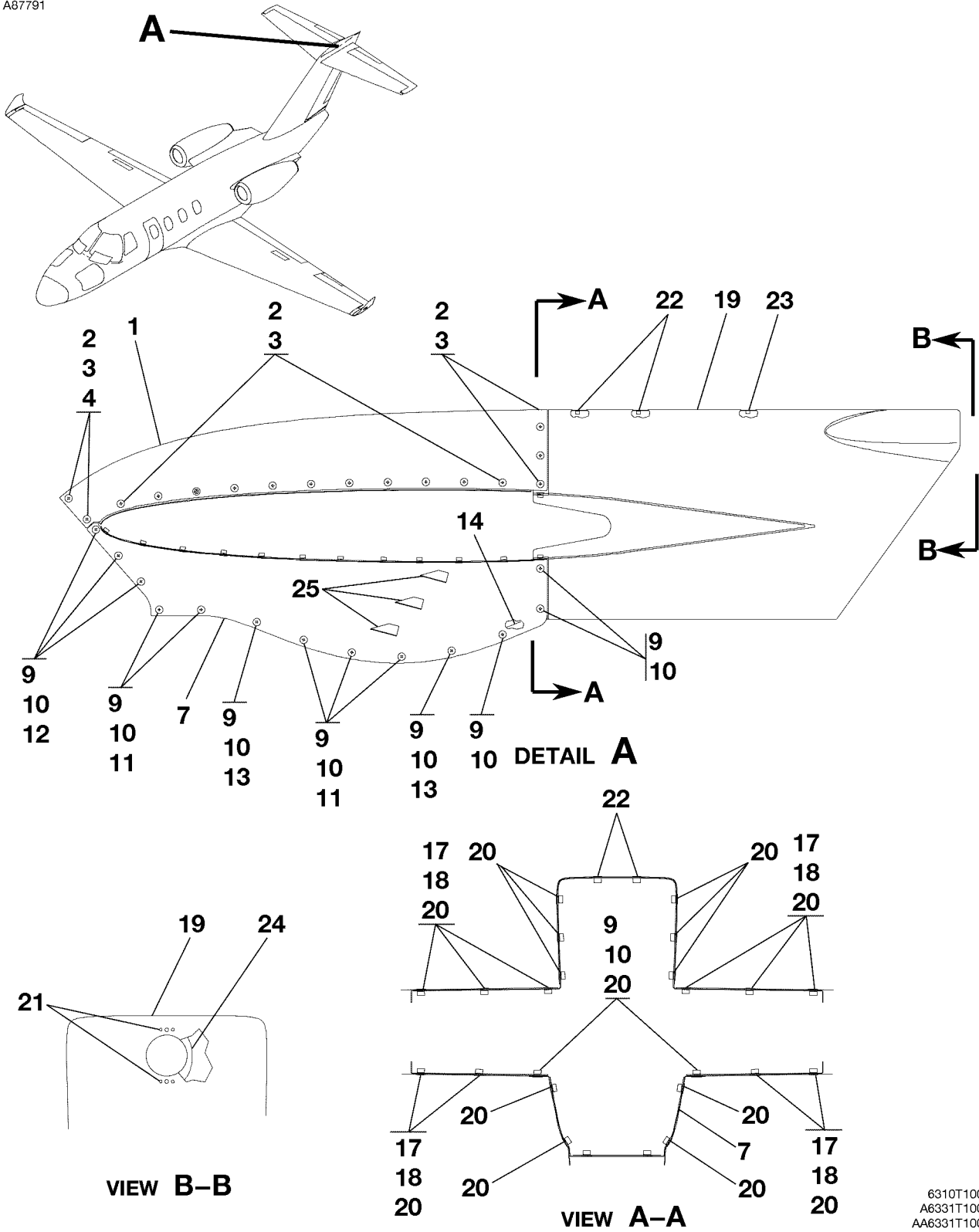
CESSNA®  
**MODEL 525 (SERIALS -0685 AND -0800 AND ON)**  
 ILLUSTRATED PARTS CATALOG

FIG ITEM	PART NUMBER	NOMENCLATURE							UNITS PER ASSY
		1	2	3	4	5	6	7	
02		ACCESS PANELS - VERTICAL STABILIZER							RF
-		. BELLCRANK DOOR-LH . . . . .							01
- 1	6331024-19	. BELLCRANK DOOR-RH . . . . .							01
- 2	6331024-20	ATTACHING PARTS							
3	S3322C10-15	. SCREW . . . . .							38 R
4	MS21050L3	. NUTPLATE . . . . .							38
		—*—							
5	6331024-18	. ACCESS DOOR . . . . .							06
		ATTACHING PARTS							
6	S3322C10-15	. SCREW . . . . .							18 R
		—*—							
- 7	MS21050L3	. . NUTPLATE . . . . .							18
8	6331024-22	. RING DOUBLER ASSY . . . . .							06

- ITEM NOT ILLUSTRATED

CESSNA®  
**MODEL 525 (SERIALS -0685 AND -0800 AND ON)**  
 ILLUSTRATED PARTS CATALOG

A87791



BULLET FAIRING - VERTICAL STABILIZER  
 FIGURE 01 (SHEET 1)

6310T1001  
 A6331T1007  
 AA6331T1007  
 BB6331T1007

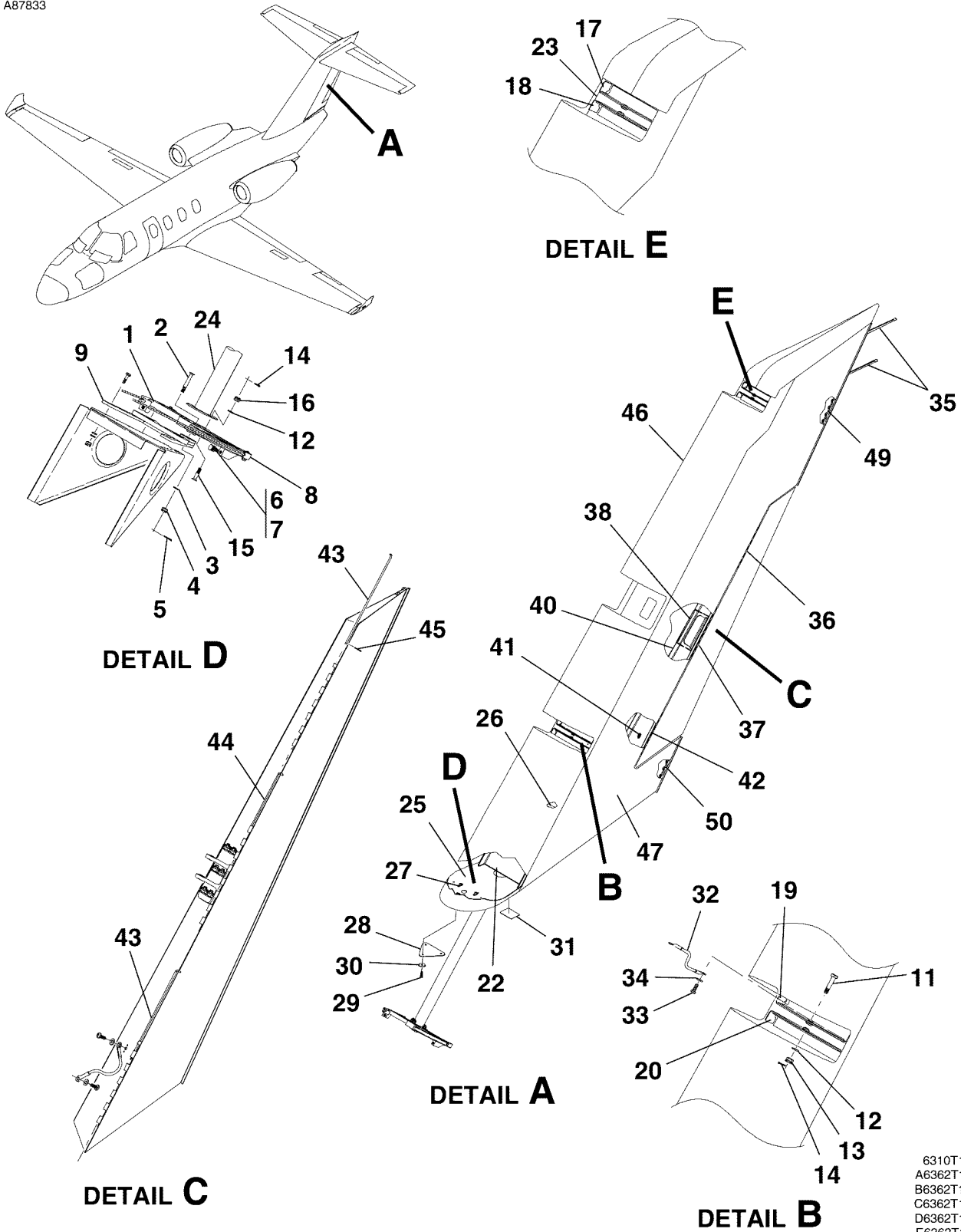
CESSNA®  
**MODEL 525 (SERIALS -0685 AND -0800 AND ON)**  
 ILLUSTRATED PARTS CATALOG

FIG ITEM	PART NUMBER	NOMENCLATURE	UNITS
			PER ASSY
01			
-		BULLET FAIRING - VERTICAL STABILIZER	RF
1	6331025-17	. BULLET FAIRING ASSY-FWD . . . . .	01
		ATTACHING PARTS	
2	S3455-S5	. SCREW . . . . .	40
3	S3881-2	. WASHER . . . . .	40
4	MS21075L08	. NUTPLATE . . . . .	04
		—*—	
- 5	6331025-19	. . BULLET FAIRING-FWD . . . . .	01
- 6	6331025-12	. . RIB-UPPER AFT . . . . .	01
7	6331025-21	. BULLET FAIRING-LH LOWER . . . . .	01
- 8	6331025-22	. BULLET FAIRING-RH LOWER . . . . .	01
		ATTACHING PARTS	
9	S3455-S5	. SCREW . . . . .	27
10	S3881-2	. WASHER . . . . .	27
11	MS21059L08	. NUTPLATE . . . . .	05
12	MS21075L08	. NUTPLATE . . . . .	03
13	MS21061L08	. NUTPLATE . . . . .	02
		—*—	
14	6331025-18	. RIB ASSY . . . . .	01
- 15	MS21059L08	. . NUTPLATE . . . . .	04
- 16	6331025-25	. BULLET FAIRING ASSY-AFT . . . . .	01
		ATTACHING PARTS	
17	S3455-S5	. SCREW . . . . .	02
18	S3881-2	. WASHER . . . . .	02
		—*—	
19	6331025-24	. . BULLET FAIRING-AFT . . . . .	01
20	MS21059L08	. . NUTPLATE . . . . .	24
21	MS21069-04	. . NUTPLATE . . . . .	02
22	MS21069-08	. . NUTPLATE . . . . .	02
23	S3529-1B1	. . ANCHOR ASSY . . . . .	01
24	6331025-16	. . GROUNDING STRAP . . . . .	01
25	6222128-1	. VORTEX GENERATOR . . . . .	06

- ITEM NOT ILLUSTRATED

CESSNA®  
**MODEL 525 (SERIALS -0685 AND -0800 AND ON)**  
 ILLUSTRATED PARTS CATALOG

A87833



RUDDER INSTALLATION  
 FIGURE 01 (SHEET 1)

6310T1168  
 A6362T1017  
 B6362T1014  
 C6362T1018  
 D6362T1013  
 E6362T1015

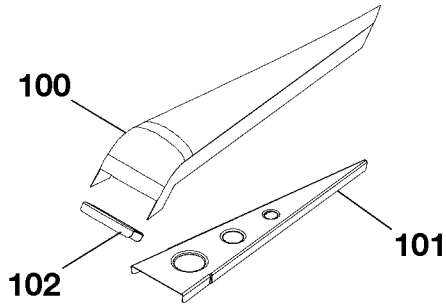
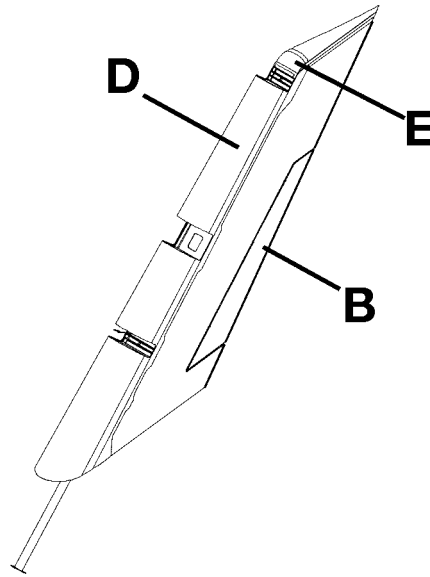
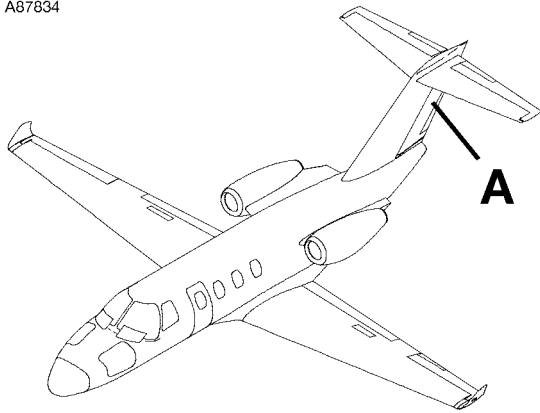
CESSNA®  
**MODEL 525 (SERIALS -0685 AND -0800 AND ON)**  
 ILLUSTRATED PARTS CATALOG

FIG ITEM	PART NUMBER	NOMENCLATURE	UNITS		
			PER	ASSY	
01		RUDDER INSTALLATION			RF
- 1	6361304-5	. AFT SECTOR-RUDDER . . . . .			01
		ATTACHING PARTS			
2	S3461-57	. BOLT . . . . .			01
3	NAS1149F0432P	. WASHER . . . . .			01
4	MS17825-4	. NUT . . . . .			01
5	MS24665-134	. COTTER PIN . . . . .			01
		—*—			
6	NAS428H4A10	. BOLT . . . . .	0800	0931	02
- 6A	NAS428H4A12	. BOLT . . . . .	0932	& ON	02
7	NAS509-4	. NUT . . . . .			02
8	6361304-7	. CABLE GUARD . . . . .			02
9		. BEARING PLATE ASSY REFER TO 55-30-01 FIGURE 01 . . . . .			RF
- 10	6333300-6	. RUDDER ASSY FSO 6333300-7 . . . . .	0800	0965	NP R
- 10A	6333300-7	. RUDDER ASSY . . . . .	0966	& ON	01 R
		ATTACHING PARTS			
11	NAS6204-14D	. BOLT . . . . .			02
12	NAS1149F0463P	. WASHER . . . . .			06
13	MS17826-4	. NUT . . . . .			02
14	MS24665-134	. COTTER PIN . . . . .			06
15	NAS334CP10-5	. BOLT . . . . .			04
16	MS17825-4	. NUT . . . . .			04
		—*—			
17	6333001-8	. BRACKET ASSY-UPPER HINGE . . . . .			01
18	6333001-12	. BRACKET ASSY-UPPER HINGE . . . . .			01
19	6333001-3	. BRACKET ASSY-LOWER HINGE . . . . .			01
20	6333001-6	. BRACKET ASSY-LOWER HINGE . . . . .			01
- 21	5522876-1	. SPACER . . . . .			01
22	6333001-15	. SPAR-FWD . . . . .			01
23	6333001-13	. SPAR-AUXILIARY . . . . .			01
24	6333002-14	. TORQUE TUBE ASSY-WELD FSO 6333002-16 . . . . .	0800	0965	NP R
- 24A	6333002-16	. TORQUE TUBE ASSY-WELD . . . . .	0966	& ON	01 R
25	6333002-10	. RIB-TORQUE TUBE ATTACH . . . . .			01
26	6333002-11	. RIB-TORQUE TUBE ATTACH . . . . .			01
27	MS21047L3	. NUTPLATE . . . . .			03
28	6333120-9	. TRIM WEIGHT-RUDDER . . . . .			AR
		ATTACHING PARTS			
29	MS35266-65	. SCREW . . . . .			03
30	AN970-3	. WASHER . . . . .			03
		—*—			
31	MS27253-1	. PLATE IDENTIFICATION FSO S2674-3 . . . . .	0800	0965	NP R
- 31A	S2674-3	. PLATE IDENTIFICATION FOR SPARES ONLY . . . . .	0966	& ON	01 R
32	MS25083-2BB6	. JUMPER ASSY . . . . .			01
		ATTACHING PARTS			
33	MS27039-1-08	. SCREW . . . . .			01
34	NAS1149F0332P	. WASHER . . . . .			01
		—*—			
35		. STATIC WICK BASE REFER TO 23-60-00 FIGURE 01 . . . . .			RF
36	6333007-11	. HINGE HALF-UPPER . . . . .			01
37	6333007-12	. HINGE HALF-CENTER . . . . .			01
38	6333310-3	. STIFFENER-LH . . . . .			01
- 39	6333003-3	. STIFFENER-RH . . . . .			01
40	6333310-2	. SPAR . . . . .			01
41	MS21069L3	. NUTPLATE . . . . .			01
42	6333003-4	. HINGE HALF-LOWER . . . . .			01
43	6333007-19	. HINGE PIN . . . . .			02
44	6333007-20	. HINGE PIN . . . . .			01
45	MS24665-5	. COTTER PIN . . . . .			03
46	6333000-10	. SKIN-LEADING EDGE . . . . .			01
47	6333325-1	. SKIN-LH TRAILING EDGE . . . . .			01
- 48	6333325-2	. SKIN-RH TRAILING EDGE . . . . .			01
49	6333325-5	. CENTERING STRIP-UPPER TRAILING EDGE . . . . .			01
50	6333325-4	. CENTERING STRIP-LOWER TRAILING EDGE . . . . .			01

- ITEM NOT ILLUSTRATED

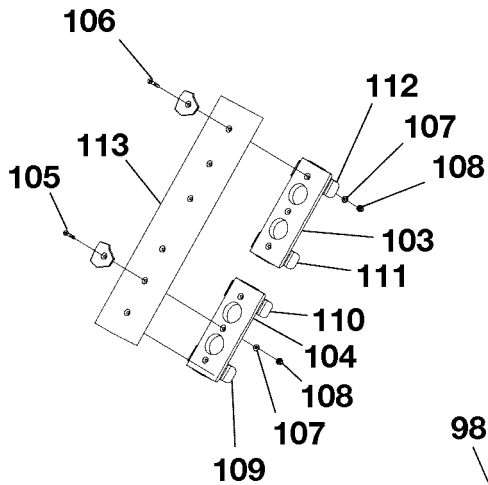
CESSNA®  
**MODEL 525 (SERIALS -0685 AND -0800 AND ON)**  
 ILLUSTRATED PARTS CATALOG

A87834

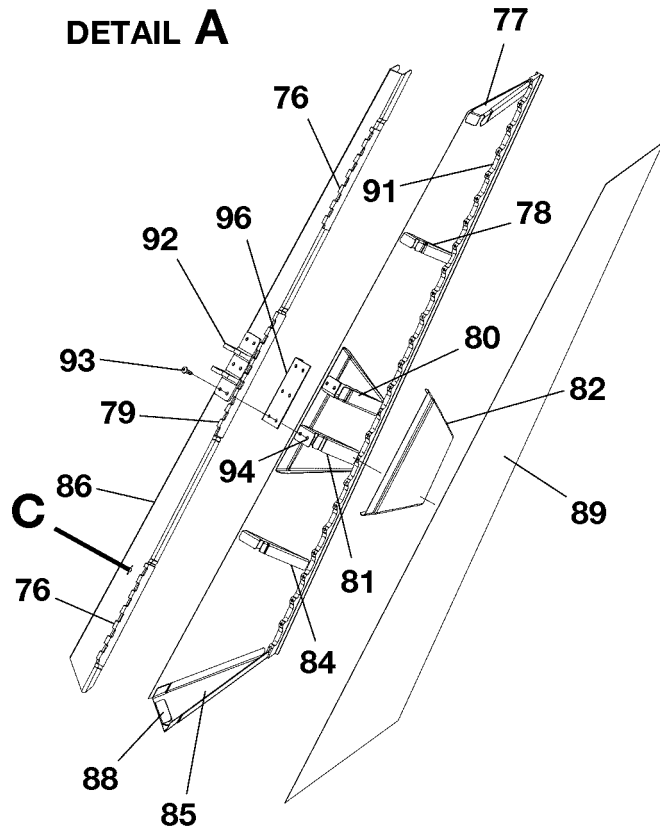


**DETAIL E**

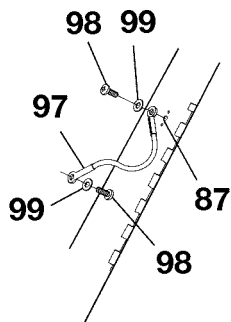
**DETAIL A**



**DETAIL D**



**DETAIL B**



**DETAIL C**

RUDDER INSTALLATION  
 FIGURE 01 (SHEET 2)

6310T1168  
 A6362T1017  
 B6362T1017  
 C6362T1018  
 D6362T1070  
 E6362T1017



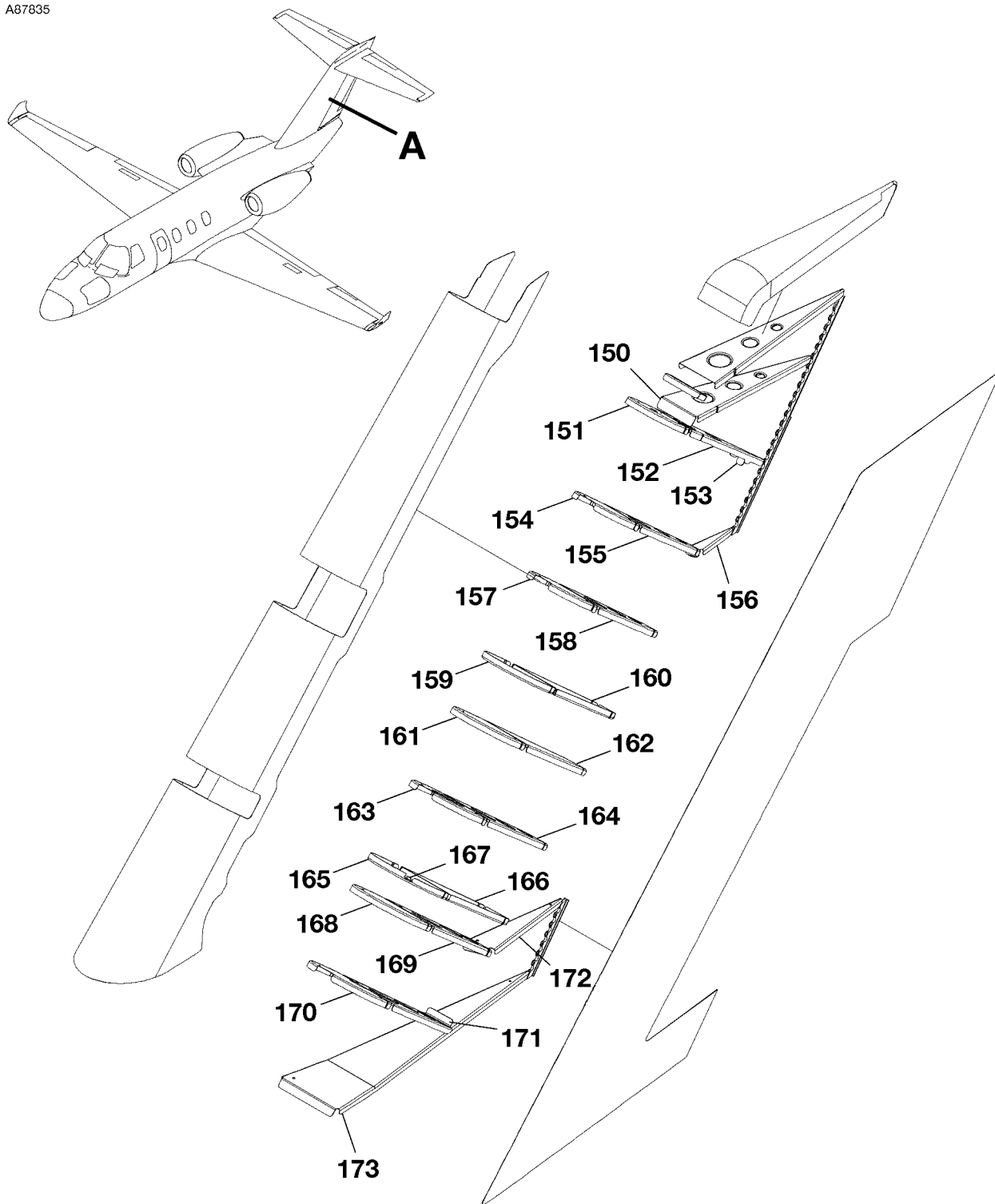
CESSNA®  
**MODEL 525 (SERIALS -0685 AND -0800 AND ON)**  
 ILLUSTRATED PARTS CATALOG

FIG ITEM	PART NUMBER	NOMENCLATURE	UNITS
			PER ASSY
		1 2 3 4 5 6 7	
01			
- 75	6333007-27	. . . RUDDER TRIM TAB ASSY . . . . .	01
76	6333007-11	. . . HINGE HALF-UPPER AND LOWER . . . . .	02
77	6333007-3	. . . RIB-UPPER . . . . .	01
78	6333007-4	. . . RIB-UPPER . . . . .	01
79	6333007-12	. . . HINGE HALF-CENTER . . . . .	01
80	6333007-5	. . . RIB-MID . . . . .	01
81	6333007-6	. . . RIB-MID . . . . .	01
82	6333007-15	. . . DOUBLER-LH . . . . .	01
- 83	6333007-16	. . . DOUBLER-RH . . . . .	01
84	6333007-7	. . . RIB-LOWER . . . . .	01
85	6333007-8	. . . RIB-LOWER . . . . .	01
86	6333007-9	. . . SPAR TAB . . . . .	01
87	MS21069L3K	. . . NUTPLATE . . . . .	01
88	6333007-18	. . . CLIP-LOWER . . . . .	01
89	6333007-23	. . . SKIN-LH . . . . .	01
- 90	6333007-24	. . . SKIN-RH . . . . .	01
91	6333007-28	. . . BAR-TRIM TAB TRAILING EDGE . . . . .	01
92	6333007-13	. . . HORN ASSY-ACTUATOR ROD ATTACH ATTACHING PARTS	01
93	MS27039-1-09	. . . SCREW . . . . .	06
94	MS21069L3	. . . NUTPLATE . . . . .	06
		—*	
- 95	S3895-1	. . . BEARING . . . . .	02
96	6333007-10	. . . DOUBLER . . . . .	01
97	MS25083-2BB4	. . . JUMPER ASSY . . . . . ATTACHING PARTS	01
98	MS27039-1-08	. . . SCREW . . . . .	02
99	NAS1149F0332P	. . . WASHER . . . . .	02
		—*	
100	6333019-3	. . . CAP ASSY-RUDDER . . . . .	01
101	6333019-2	. . . RIB . . . . .	01
102	6333019-4	. . . CLOSEOUT . . . . .	01
103	6333120-15	. . . BALANCE WEIGHT-UPPER . . . . .	01
104	6333120-14	. . . BALANCE WEIGHT-LOWER . . . . .	01
105	MS24694-S61	. . . SCREW . . . . .	04
106	MS24694-S60	. . . SCREW . . . . .	02
107	NAS1149C0332B	. . . WASHER . . . . .	06
108	MS21044N3	. . . NUT . . . . .	06
109	6333120-4	. . . RETAINER . . . . .	01
110	6333120-5	. . . RETAINER . . . . .	01
111	6333120-6	. . . RETAINER . . . . .	01
112	6333120-7	. . . RETAINER . . . . .	01
113	6333120-8	. . . DOUBLER . . . . .	01

- ITEM NOT ILLUSTRATED

CESSNA®  
MODEL 525 (SERIALS -0685 AND -0800 AND ON)  
ILLUSTRATED PARTS CATALOG

A87835



**DETAIL A**

RUDDER INSTALLATION  
FIGURE 01 (SHEET 3)

6310T1168  
A6362T1071

CESSNA®  
**MODEL 525 (SERIALS -0685 AND -0800 AND ON)**  
 ILLUSTRATED PARTS CATALOG

FIG ITEM	PART NUMBER	NOMENCLATURE	UNITS
			PER ASSY
01			
150	6333315-2	. . RIB . . . . .	01
151	6333016-6	. . RIB-FWD . . . . .	01
152	6333016-3	. . RIB-AFT . . . . .	01
153	6333016-4	. . CLIP . . . . .	01
154	6333014-5	. . RIB-FWD . . . . .	01
155	6333014-3	. . RIB-AFT . . . . .	01
156	6333320-4	. . RIB . . . . .	01
157	6333013-5	. . RIB-FWD . . . . .	01
158	6333013-3	. . RIB-AFT . . . . .	01
159	6333012-5	. . RIB-FWD . . . . .	01
160	6333012-3	. . RIB-AFT . . . . .	01
161	6333011-5	. . RIB-FWD . . . . .	01
162	6333011-3	. . RIB-AFT . . . . .	01
163	6333010-5	. . RIB-FWD . . . . .	01
164	6333010-3	. . RIB-AFT . . . . .	01
165	6333009-5	. . RIB-FWD . . . . .	01
166	6333009-3	. . RIB-AFT . . . . .	01
167	MS21069L3	. . NUTPLATE . . . . .	01
168	6333006-5	. . RIB-FWD . . . . .	01
169	6333006-3	. . RIB-AFT . . . . .	01
170	6333005-2	. . RIB . . . . .	01
171	6333005-3	. . CLIP . . . . .	01
172	6333008-4	. . RIB . . . . .	01
173	6333004-4	. . RIB . . . . .	01

- ITEM NOT ILLUSTRATED



**CHAPTER**

**56**

**WINDOWS**



CESSNA®  
**MODEL 525 (SERIALS -0685 AND -0800 AND ON)**  
ILLUSTRATED PARTS CATALOG

<b>CHAPTER SECTION SUBJECT</b>		<b>NUMBER OF PAGES</b>	<b>DATE</b>
56 - TITLE			
56 - LIST OF EFFECTIVE PAGES			
56 - RECORD OF TEMPORARY REVISIONS			
56 - TABLE OF CONTENTS			
56-10-00	Figure 01	4	Jun 1/2015
56-10-00	Figure 02	2	Nov 1/2013
56-10-01	Figure 01	2	Nov 1/2013
56-10-01	Figure 02	2	Nov 1/2013
56-20-00	Figure 01	2	Nov 1/2013
56-30-00	Figure 01	2	Oct 1/2014







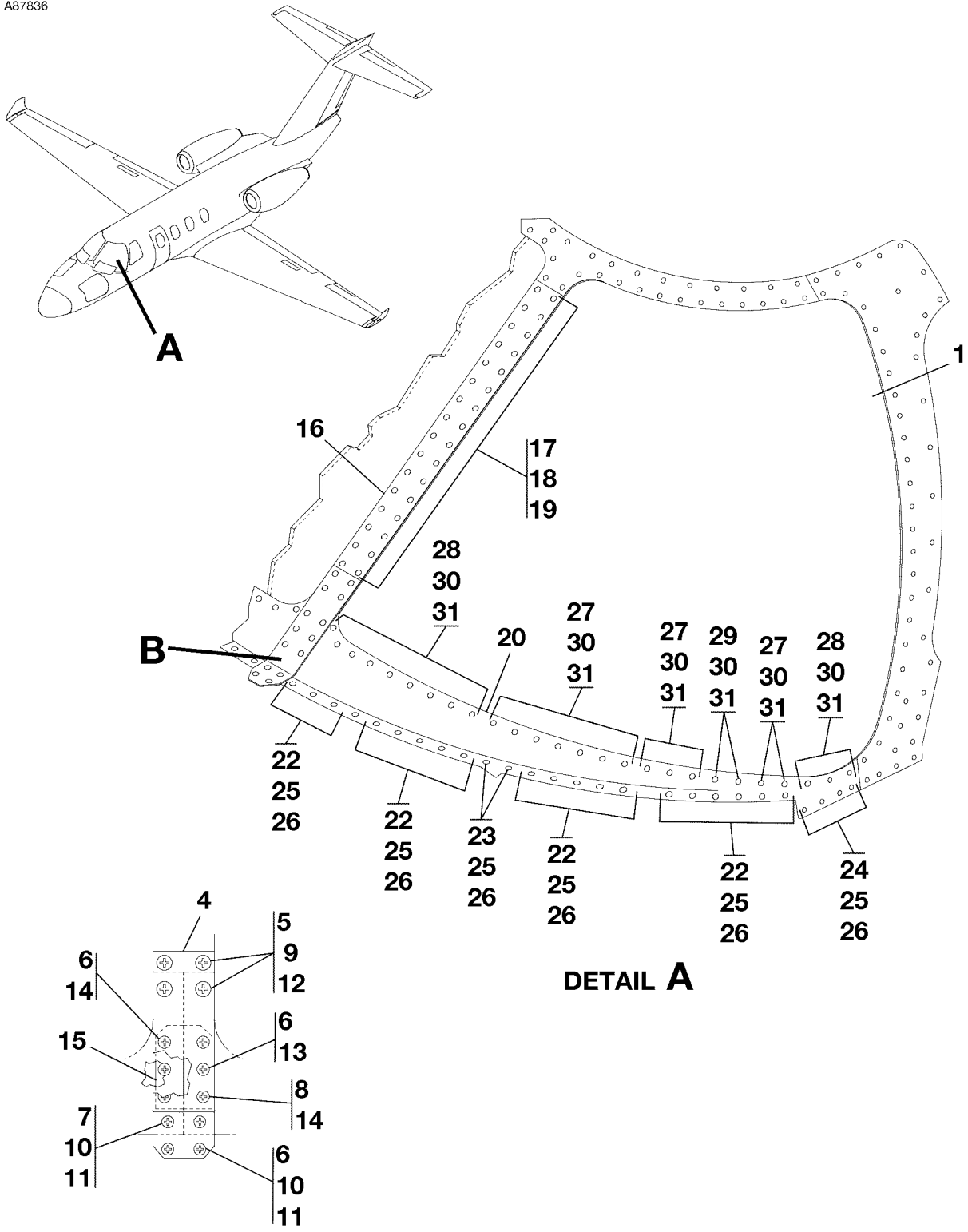


CESSNA®  
**MODEL 525 (SERIALS -0685 AND -0800 AND ON)**  
 ILLUSTRATED PARTS CATALOG

<u>SUBJECT</u>	<u>CHAPTER</u>	<u>FIGURE</u>	<u>EFFECTIVITY</u>	
	<u>SECTION</u>		<u>START</u>	<u>END</u>
	<u>SUBJECT</u>			
WINDSHIELD - FLIGHT COMPARTMENT	56-10-00	01		
WINDSHIELD SUPPORT STRUCTURE	56-10-00	02		
WINDOW - FLIGHT COMPARTMENT	56-10-01	01		
FLIGHT COMPARTMENT WINDOW SUPPORT STRUCTURE	56-10-01	02		
CABIN WINDOWS	56-20-00	01		
CABIN DOOR WINDOW	56-30-00	01		

CESSNA®  
**MODEL 525 (SERIALS -0685 AND -0800 AND ON)**  
 ILLUSTRATED PARTS CATALOG

A87836



**DETAIL B**

**DETAIL A**

WINDSHIELD - FLIGHT COMPARTMENT  
 FIGURE 01 (SHEET 1)

6310T1168  
 A6313T1065  
 B6313T1065

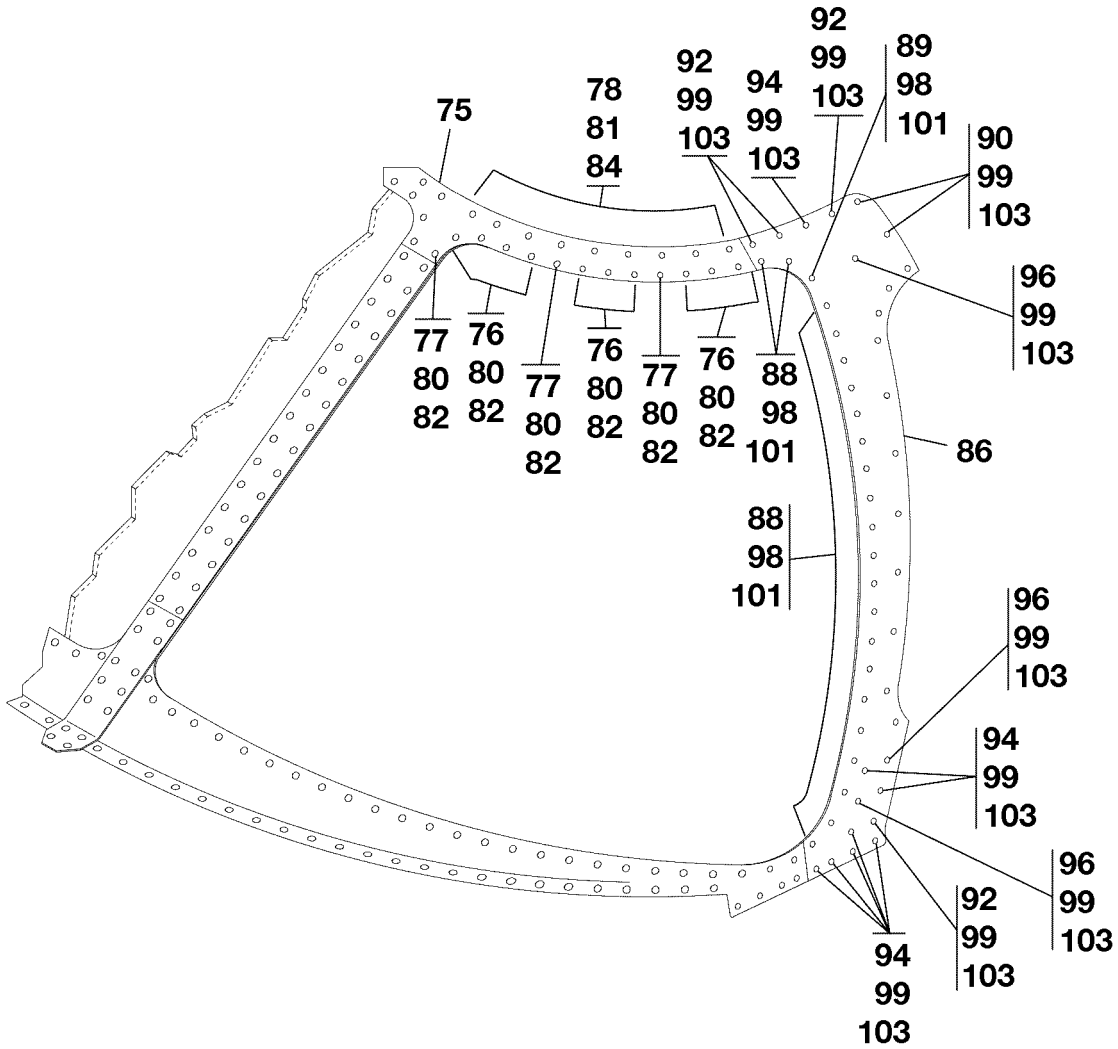
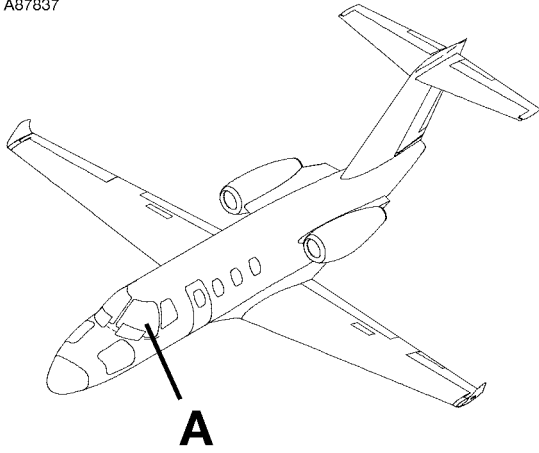
CESSNA®  
**MODEL 525 (SERIALS -0685 AND -0800 AND ON)**  
 ILLUSTRATED PARTS CATALOG

FIG ITEM	PART NUMBER	NOMENCLATURE	UNITS
			PER ASSY
		1 2 3 4 5 6 7	
01		WINDSHIELD - FLIGHT COMPARTMENT	RF
-		. WINDSHIELD ASSY-LH . . . . .	01 R
1	9912064-15	. WINDSHIELD ASSY-LH . . . . .	01 R
- 2	9912064-16	. WINDSHIELD ASSY-RH . . . . .	01 R
- 3	9912064-19	. . SPACER . . . . .	80 R
4	5511270-34	. COVER . . . . .	01 R
		ATTACHING PARTS	
5	NAS1581C4T18	. BOLT . . . . .	04 R
6	MS24694-C50	. SCREW . . . . .	06 R
7	MS24694-C52	. SCREW . . . . .	02 R
8	MS24694-C49	. SCREW . . . . .	02 R
9	NAS1149D0463H	. WASHER . . . . .	04 R
10	NAS1149D0363H	. WASHER . . . . .	04 R
11	MS21042L3	. NUT . . . . .	04 R
12	MS21042L4	. NUT . . . . .	04 R
13	MS21086L3	. NUTPLATE . . . . .	02 R
14	MS21069L3	. NUTPLATE . . . . .	04 R
		—*—	
15	5511270-8	. CHANNEL . . . . .	01 R
16	5511270-40	. RETAINER-CENTER . . . . .	01 R
		ATTACHING PARTS	
17	NAS1581C4T18	. BOLT . . . . .	32 R
18	NAS1149D0463H	. WASHER . . . . .	32 R
19	MS21042L4	. NUT . . . . .	32 R
		—*—	
20	5511270-38	. RETAINER-LH LOWER . . . . .	01 R
- 21	5511270-39	. RETAINER-RH LOWER . . . . .	01 R
		ATTACHING PARTS	
22	MS24694-C50	. SCREW . . . . .	19 R
23	MS24694-C52	. SCREW . . . . .	02 R
24	MS24694-C51	. SCREW . . . . .	04 R
25	NAS1149D0363H	. WASHER . . . . .	25 R
26	MS21042L3	. NUT . . . . .	25 R
27	NAS1581C4T16	. BOLT . . . . .	12 R
28	NAS1581C4T17	. BOLT . . . . .	12 R
29	NAS1581C4T15	. BOLT . . . . .	02 R
30	NAS1149D0463H	. WASHER . . . . .	26 R
31	MS21042L4	. NUT . . . . .	26 R
		—*—	

- ITEM NOT ILLUSTRATED

CESSNA®  
**MODEL 525 (SERIALS -0685 AND -0800 AND ON)**  
 ILLUSTRATED PARTS CATALOG

A87837



**DETAIL A**

WINDSHIELD - FLIGHT COMPARTMENT  
 FIGURE 01 (SHEET 2)

6310T1168  
 A6313T1065

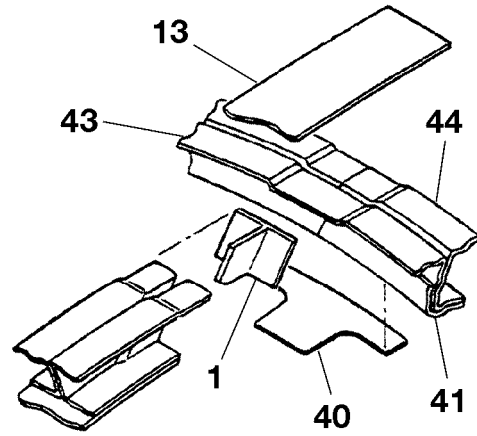
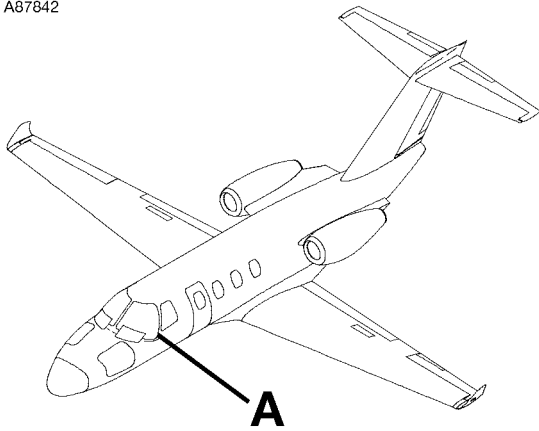
CESSNA®  
**MODEL 525 (SERIALS -0685 AND -0800 AND ON)**  
 ILLUSTRATED PARTS CATALOG

FIG ITEM	PART NUMBER	NOMENCLATURE	UNITS
			PER ASSY
		1 2 3 4 5 6 7	
01			
75	5511270-35	. RETAINER-UPPER . . . . . ATTACHING PARTS	01
76	NAS1581C4T17	. BOLT . . . . .	20
77	NAS1581C4T18	. BOLT . . . . .	06
78	MS24694-C50	. SCREW . . . . .	18
- 79	AN509C10-8	. SCREW ALT FOR MS24694-C50 . . . . .	18
80	NAS1149D0463H	. WASHER . . . . .	26
81	NAS1149D0363H	. WASHER . . . . .	18
82	MS21042L4	. NUT . . . . .	26
- 83	NAS1291-4	. NUT ALT FOR MS21042L4 . . . . .	26
84	MS21042L3	. NUT . . . . .	18
- 85	NAS1291-3	. NUT ALT FOR MS21042L3 . . . . . _*_	18
86	5511270-41	. RETAINER-LH . . . . .	01
- 87	5511270-42	. RETAINER-RH . . . . . ATTACHING PARTS	01
88	NAS1581C4T17	. BOLT . . . . .	22
89	NAS1581C4T18	. BOLT . . . . .	01
90	MS24694-C49	. SCREW . . . . .	02
- 91	AN509C10-7	. SCREW ALT FOR MS24694-C49 . . . . .	02
92	MS24694-C50	. SCREW . . . . .	04
- 93	AN509C10-8	. SCREW ALT FOR MS24694-C50 . . . . .	04
94	MS24694-C51	. SCREW . . . . .	08
- 95	AN509C10-9	. SCREW ALT FOR MS24694-C51 . . . . .	08
96	MS24694-C52	. SCREW . . . . .	03
- 97	AN509C10-10	. SCREW ALT FOR MS24694-C52 . . . . .	03
98	NAS1149D0463H	. WASHER . . . . .	23
99	NAS1149D0363H	. WASHER-LH . . . . .	17
- 100	NAS1149D0363H	. WASHER-RH . . . . .	13
101	MS21042L4	. NUT . . . . .	23
- 102	NAS1291-4	. NUT ALT FOR MS21042L4 . . . . .	23
103	MS21042L3	. NUT-LH . . . . .	17
- 104	MS21042L3	. NUT-RH . . . . .	19
- 105	NAS1291-3	. NUT ALT FOR MS21042L3 . . . . . _*_	AR

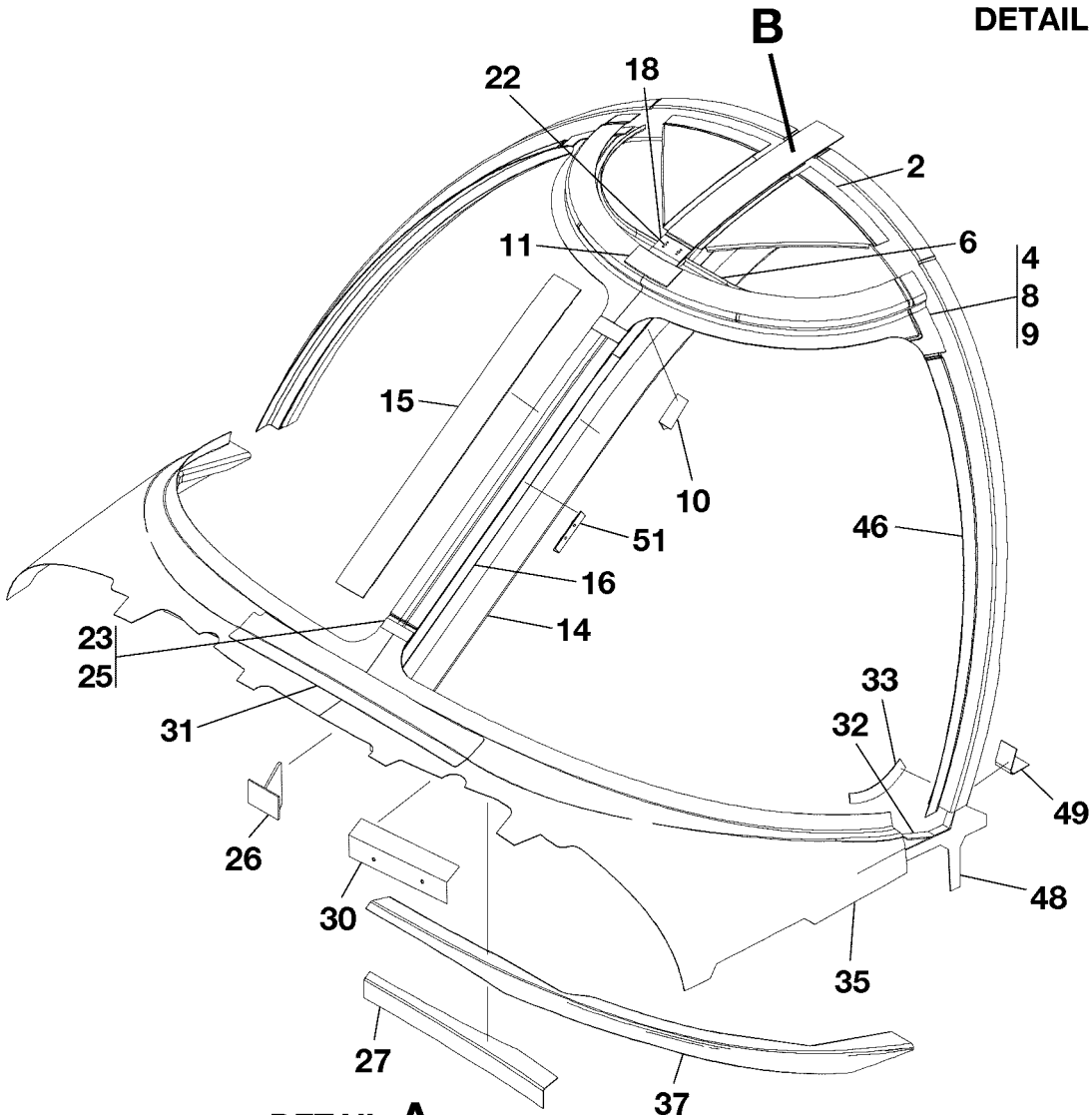
- ITEM NOT ILLUSTRATED

CESSNA®  
**MODEL 525 (SERIALS -0685 AND -0800 AND ON)**  
 ILLUSTRATED PARTS CATALOG

A87842



**DETAIL B**



**DETAIL A**

WINDSHIELD SUPPORT STRUCTURE  
 FIGURE 02 (SHEET 1)

6310T1168  
 A6313T1145  
 B6313R1093



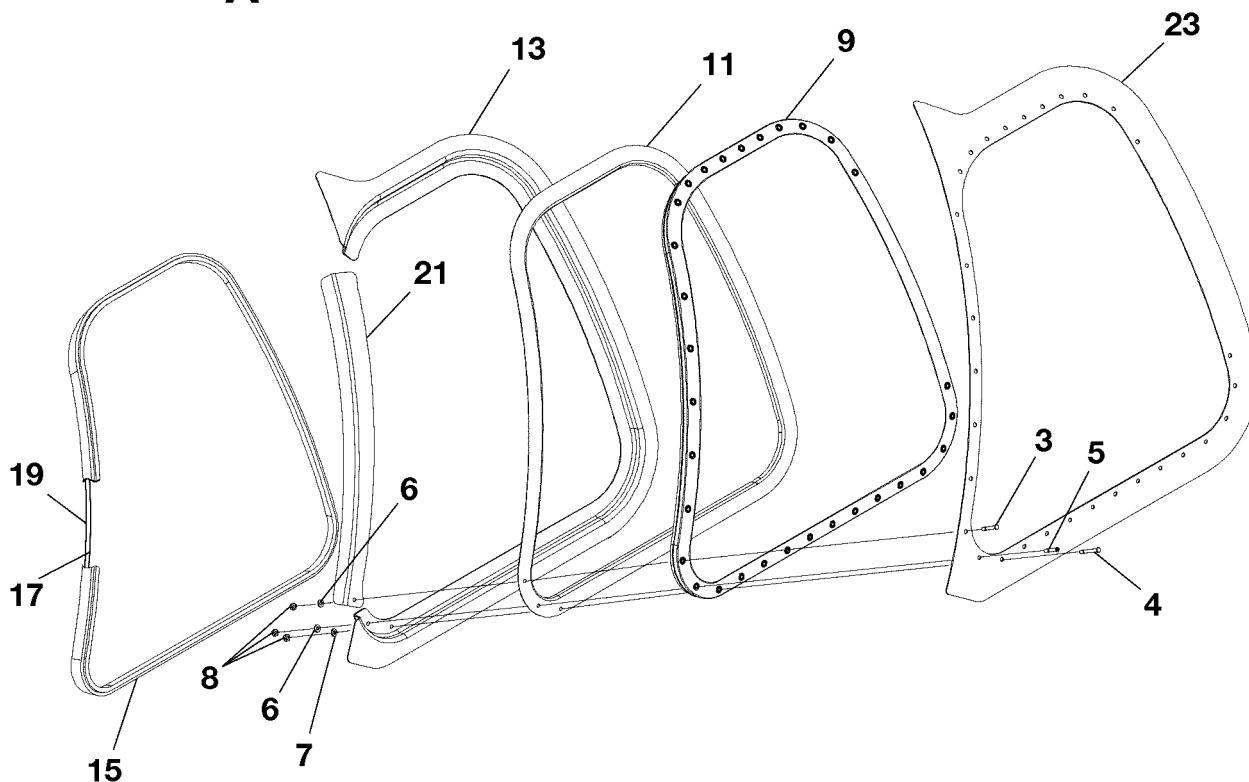
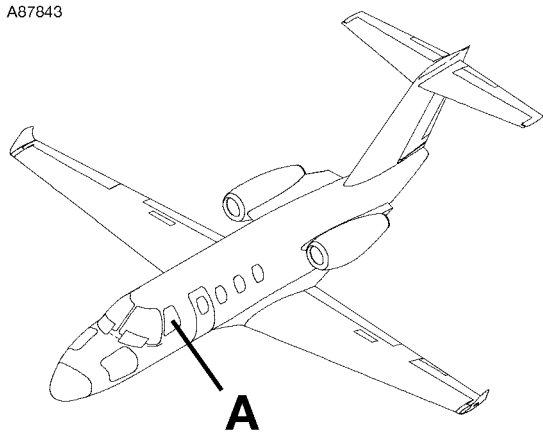
CESSNA®  
**MODEL 525 (SERIALS -0685 AND -0800 AND ON)**  
 ILLUSTRATED PARTS CATALOG

FIG ITEM	PART NUMBER	NOMENCLATURE	UNITS
			PER ASSY
02			
-		WINDSHIELD SUPPORT STRUCTURE	RF
1	5511174-1	. TEE . . . . .	01
2	5511172-25	. DOUBLER-LH . . . . .	01
- 3	5511172-26	. DOUBLER-RH . . . . .	01
4	5511172-7	. DOUBLER-LH UPR . . . . .	01
- 5	5511172-8	. DOUBLER-RH UPR . . . . .	01
6	5511172-9	. ZEE-LH . . . . .	01
- 7	5511172-59	. ZEE-RH . . . . .	01
8	5511174-7	. CLIP . . . . .	01
9	5511174-8	. CLIP . . . . .	01
10	5511174-2	. CLIP . . . . .	02
11	5511174-13	. SPLICE . . . . .	01
- 12	5511176-11	. POST ASSY-CTR . . . . .	01
13	5511176-6	. . STRAP-UPR . . . . .	01
14	5511176-2	. . STRAP-LWR INBD . . . . .	01
15	5511176-5	. . STRAP-LWR OUTBD . . . . .	01
16	5511176-13	. . CHANNEL-LH . . . . .	01
- 17	5511176-14	. . CHANNEL-RH . . . . .	01
18	5511176-7	. . DOUBLER ASSY-LH . . . . .	01
- 19	5511176-8	. . DOUBLER ASSY-RH . . . . .	01
- 20	MS21069L3	. . . NUTPLATE-RH . . . . .	01
- 21	MS21069L08	. . . NUTPLATE . . . . .	02
22	MS21069L3	. . . NUTPLATE . . . . .	01
23	5511174-5	. CLIP-LH . . . . .	01
- 24	5511174-12	. CLIP-RH . . . . .	01
25	5511174-6	. ANGLE . . . . .	01
26	5511174-3	. TEE . . . . .	01
27	5511172-41	. STIFFENER-LH . . . . .	01
- 28	5511172-42	. STIFFENER-RH . . . . .	01
- 29	S1741-5	. ANCHOR-RH . . . . .	02
30	5511172-58	. BULKHEAD . . . . .	01
31	5511172-57	. DOUBLER . . . . .	01
32	5511174-10	. ANGLE . . . . .	02
33	5511172-39	. SPLICE-LH . . . . .	01
- 34	5511172-40	. SPLICE-RH . . . . .	01
35	5511172-53	. DOUBLER-LH LWR . . . . .	01
- 36	5511172-54	. DOUBLER-RH LWR . . . . .	01
37	5511172-45	. CHANNEL-LH . . . . .	01
- 38	5511172-48	. CHANNEL-RH . . . . .	01
- 39	5511172-49	. DOUBLER-RH . . . . .	01
40	5511170-11	. GUSSET . . . . .	01
41	6311062-5	. ANGLE-LH . . . . .	01
- 42	5511170-12	. ANGLE-RH . . . . .	01
43	5511170-2	. ANGLE . . . . .	01
44	6311062-7	. CHANNEL-LH AFT . . . . .	01
- 45	6311062-8	. CHANNEL-RH AFT . . . . .	01
46	5511170-5	. ANGLE-LH . . . . .	01
- 47	5511170-6	. ANGLE-RH . . . . .	01
48	6311062-2	. GUSSET . . . . .	02
49	5511170-9	. ANGLE-LH . . . . .	01
- 50	5511170-10	. ANGLE-RH . . . . .	01
51	5518132-23	. ANGLE ASSY . . . . .	01

- ITEM NOT ILLUSTRATED

CESSNA®  
MODEL 525 (SERIALS -0685 AND -0800 AND ON)  
ILLUSTRATED PARTS CATALOG

A87843



**DETAIL A**

WINDOW - FLIGHT COMPARTMENT  
FIGURE 01 (SHEET 1)

6310T1168  
A6313T1144

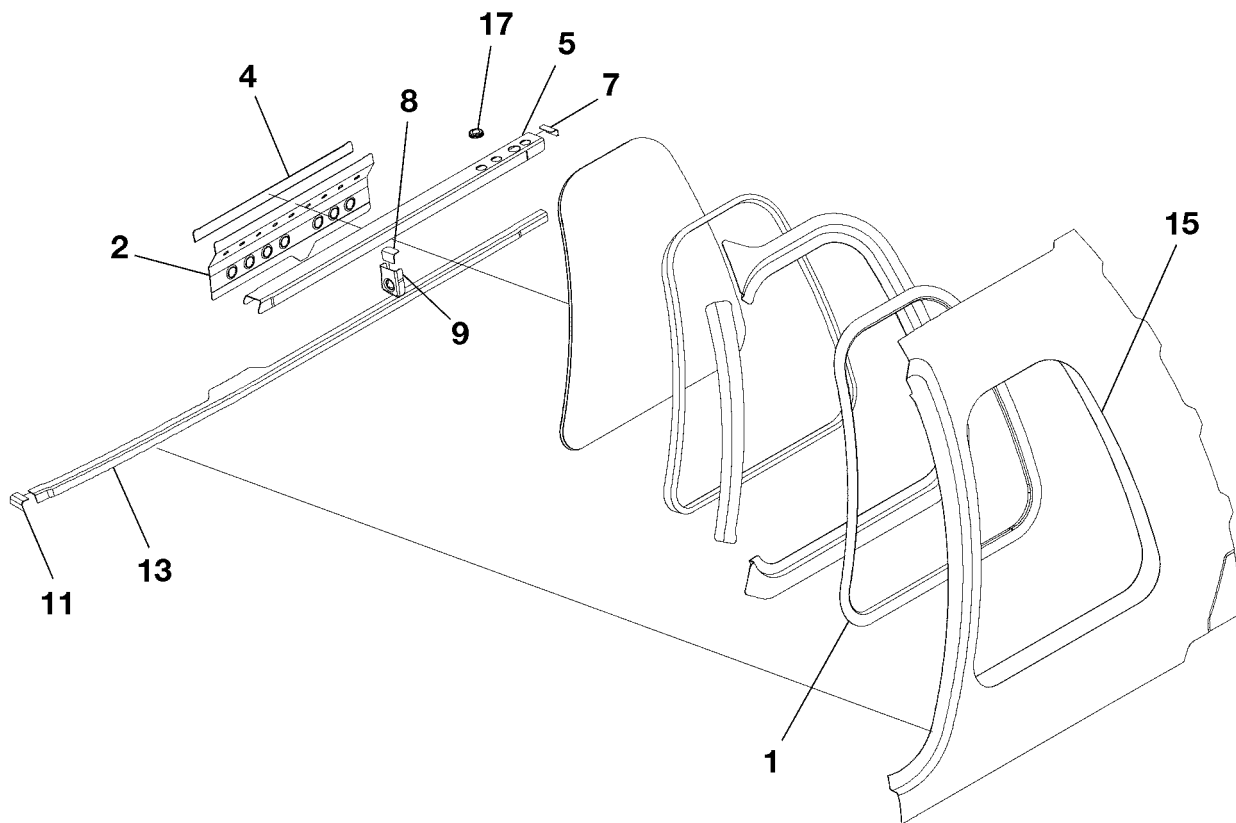
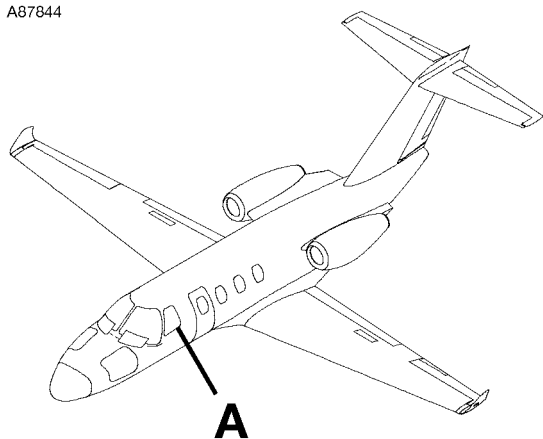
CESSNA®  
**MODEL 525 (SERIALS -0685 AND -0800 AND ON)**  
 ILLUSTRATED PARTS CATALOG

FIG ITEM	PART NUMBER	NOMENCLATURE	UNITS
			PER ASSY
01		WINDOW - FLIGHT COMPARTMENT	RF
-		. WINDOW ASSY-PILOT . . . . .	01
- 1	6311263-1	. WINDOW ASSY-COPILOT . . . . .	01
- 2	6311263-2	. WINDOW ASSY-COPILOT . . . . .	01
		ATTACHING PARTS	
3	HL19PB-6-14	. PIN-HI LOK . . . . . V73197	10
4	HL19PB6-17	. PIN-HI LOK . . . . . V73197	10
5	NAS1581C3R16	. BOLT . . . . .	11
6	NAS1149F0363P	. WASHER . . . . .	21
7	NAS1149F0332P	. WASHER . . . . .	10
8	MS21083N3	. NUT . . . . .	31
		—*—	
9	6311265-1	. WINDOW ASSY-PILOT . . . . .	01
- 10	6311265-2	. WINDOW ASSY-COPILOT . . . . .	01
11	6311263-17	. SEAL RETAINER-PILOT . . . . .	01
- 12	6311263-18	. SEAL RETAINER-COPILOT . . . . .	01
13	6311263-15	. RETAINER-PILOT . . . . .	01
- 14	6311263-16	. RETAINER-COPILOT . . . . .	01
15	6311263-19	. SEAL-PILOT . . . . .	01
- 16	6311263-20	. SEAL-COPILOT . . . . .	01
17	6311263-23	. FROST PANE-PILOT OUTER . . . . .	01
- 18	6311263-24	. FROST PANE-COPILOT OUTER . . . . .	01
19	6311263-25	. FROST PANE-PILOT INNER . . . . .	01
- 20	6311263-26	. FROST PANE-COPILOT INNER . . . . .	01
21	6311263-5	. RETAINER-PILOT FWD . . . . .	01
- 22	6311263-6	. RETAINER-COPILOT FWD . . . . .	01
23	6311061-19	. SEAL-PILOT . . . . .	01
- 24	6311061-20	. SEAL-COPILOT . . . . .	01

- ITEM NOT ILLUSTRATED

CESSNA®  
MODEL 525 (SERIALS -0685 AND -0800 AND ON)  
ILLUSTRATED PARTS CATALOG

A87844



**DETAIL A**

FLIGHT COMPARTMENT WINDOW SUPPORT STRUCTURE  
FIGURE 02 (SHEET 1)

6310T1168  
A6311T1093

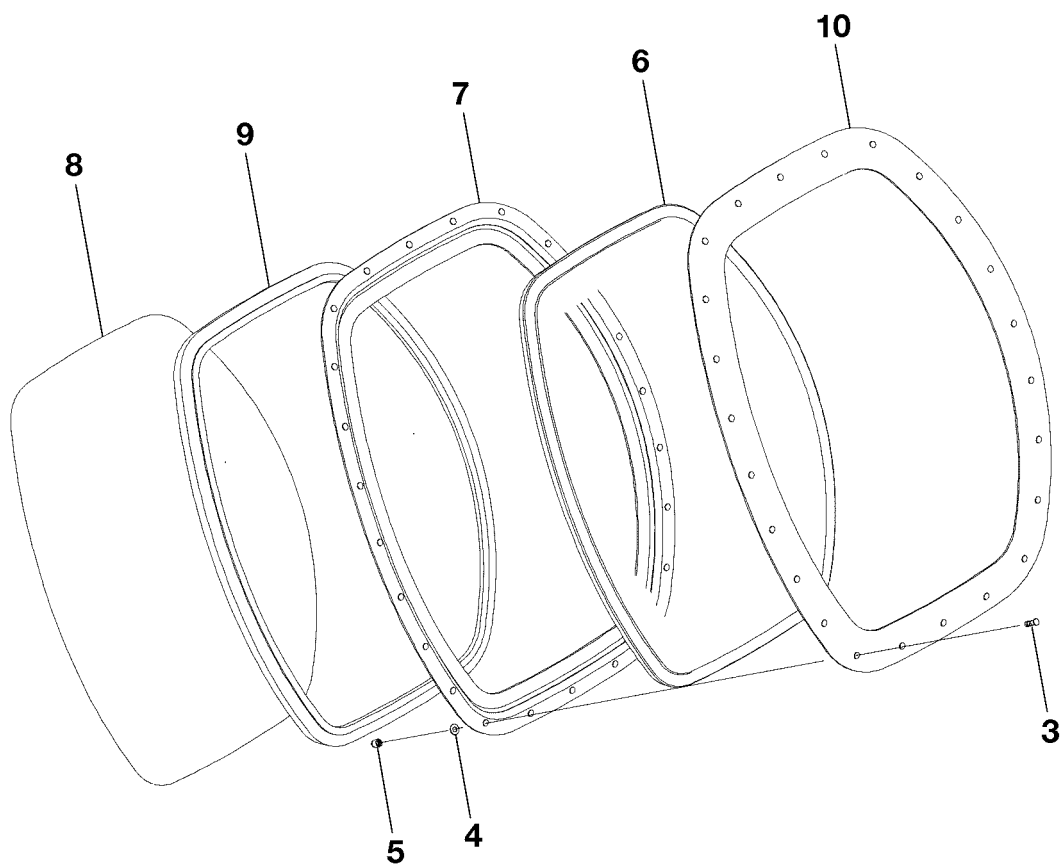
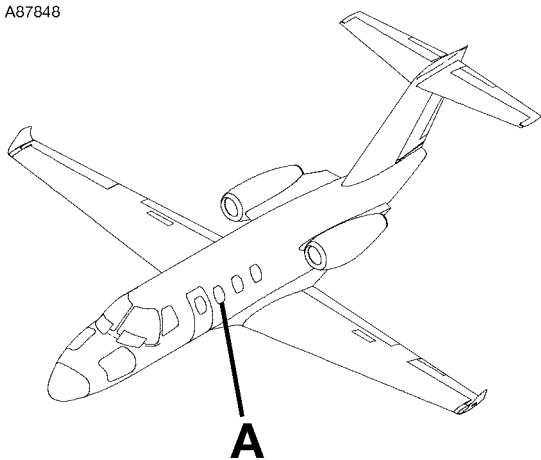
CESSNA®  
**MODEL 525 (SERIALS -0685 AND -0800 AND ON)**  
 ILLUSTRATED PARTS CATALOG

FIG ITEM	PART NUMBER	NOMENCLATURE	UNITS
			PER ASSY
02		FLIGHT COMPARTMENT WINDOW SUPPORT STRUCTURE	RF
-		. WINDOW ASSY-REFER TO 56-10-01 FIGURE 01 . . . . .	RF
1		. DOUBLER-LH . . . . .	01
2	6311263-7	. DOUBLER-RH . . . . .	01
- 3	6311263-8	. RADIUS BLOCK . . . . .	02
4	6311263-21	. LONGERON-LH . . . . .	01
5	6311263-13	. LONGERON-RH . . . . .	01
- 6	6311263-14	. CLIP . . . . .	02
7	6311063-17	. ATTACH ANGLE . . . . .	06
8	6311263-11	. FRAME-LH . . . . .	03
9	6311263-9	. FRAME-RH . . . . .	03
- 10	6311263-10	. ANGLE-LH . . . . .	01
11	5511164-13	. ANGLE-RH . . . . .	01
- 12	5511164-14	. ANGLE-LH LWR SILL . . . . .	01
13	6311063-7	. ANGLE-RH LWR SILL . . . . .	01
- 14	6311063-8	. DOUBLER BOND ASSY-LH . . . . .	01
15	6311176-9	. DOUBLER BOND ASSY-RH . . . . .	01
- 16	6311176-10	. GROMMET-LH . . . . .	01
17	MS35489-17		

- ITEM NOT ILLUSTRATED

CESSNA®  
**MODEL 525 (SERIALS -0685 AND -0800 AND ON)**  
ILLUSTRATED PARTS CATALOG

A87848



**DETAIL A**

CABIN WINDOWS  
FIGURE 01 (SHEET 1)

6310T1168  
A6319T1551

CESSNA®  
**MODEL 525 (SERIALS -0685 AND -0800 AND ON)**  
 ILLUSTRATED PARTS CATALOG

FIG ITEM	PART NUMBER	1 2 3 4 5 6 7	NOMENCLATURE	UNITS PER ASSY
01			CABIN WINDOWS	RF
-				
- 1	6311123-11		. WINDOW ASSY-CABIN FSO 6311123-201 . . . . .	NP
- 2	6311123-201		. WINDOW ASSY-CABIN FOR SPARES ONLY REFER TO NOTE 1 . . . . . ATTACHING PARTS	07
3	HL11VBJ5-4		. PIN-HI-LOK . . . . . V73197	24
4	NAS1149DN816K		. WASHER . . . . .	24
5	S3191-08		. NUT . . . . .	24
			—*—	
6	9912207-8		. . WINDOW . . . . .	01
7	5511262-1		. . WINDOW RETAINER . . . . .	01
8	6319030-3		. . FROST PANE . . . . .	01
9	6319054-2		. . FROST PANE SEAL . . . . .	01
10	6211260-6		. SEAL . . . . .	07

NOTE 1—6311123-201 SAME AS 6311123-11, EXCEPT FASTENER HOLES ARE OMITTED AND INCLUDES 6211260-6 FROST PANE SEAL.





CESSNA®  
**MODEL 525 (SERIALS -0685 AND -0800 AND ON)**  
 ILLUSTRATED PARTS CATALOG

FIG ITEM	PART NUMBER	NOMENCLATURE	UNITS
			PER ASSY
01			
-		CABIN DOOR WINDOW	RF
- 1	6311123-12	. WINDOW ASSY-CABIN DOOR FSO 6311123-208 REFER TO NOTE 1 . . . . .	NP R
- 2	6311123-208	. WINDOW ASSY-CABIN DOOR FOR SPARES ONLY . . . . .	01 R
		ATTACHING PARTS	
3	HL11VBJ5-4	. PIN HI-LOK . . . . . V73197	19
4	NAS1149DN816K	. WASHER . . . . .	19
5	S3191-08	. NUT . . . . .	19
		—*—	
6	6319054-1	. . FROST PANE-DOOR . . . . .	01
7	6319054-3	. . FROST PANE-DOOR . . . . .	01
8	6511700-15	. SHIM . . . . .	01
9	6511700-14	. ANGLE . . . . .	01
10	6511700-36	. ANGLE . . . . .	02
11		. DOOR SKIN BOND ASSEMBLY-REFER TO 52-10-00 FIGURE 02 . . . . .	RF

NOTE 1—6311123-208 SAME AS 6311123-12, EXCEPT FASTENER HOLES ARE OMITTED AND INCLUDES 6211260-6 FROST PANE SEAL. R



**CHAPTER**

**57**

**WINGS**



CESSNA®  
**MODEL 525 (SERIALS -0685 AND -0800 AND ON)**  
 ILLUSTRATED PARTS CATALOG

<b>CHAPTER SECTION SUBJECT</b>		<b>NUMBER OF PAGES</b>	<b>DATE</b>
57 - TITLE			
57 - LIST OF EFFECTIVE PAGES			
57 - RECORD OF TEMPORARY REVISIONS			
57 - TABLE OF CONTENTS			
57-00-00	Figure 01	4	Nov 1/2013
57-10-00	Figure 01	8	Nov 1/2013
57-10-00	Figure 02	10	Nov 1/2013
57-10-00	Figure 03	10	Nov 1/2013
57-10-01	Figure 01	2	Nov 1/2013
57-10-01	Figure 02	2	Nov 1/2013
57-20-01	Figure 01	2	Jun 1/2017
57-20-01	Figure 02	2	Nov 1/2013
57-20-02	Figure 01	2	Nov 1/2013
57-20-03	Figure 01	6	Nov 1/2013
57-20-03	Figure 02	6	Nov 1/2013
57-30-00	Figure 02	4	Nov 1/2013
57-30-01	Figure 01	2	Dec 1/2015
57-40-00	Figure 01	4	Nov 1/2013
57-50-00	Figure 01	4	Nov 1/2013
57-50-01	Figure 01	2	Nov 1/2013
57-50-01	Figure 02	6	Nov 1/2013
57-60-00	Figure 01	2	Dec 1/2017
57-60-00	Figure 02	6	Jun 1/2015
57-60-00	Figure 03	4	Nov 1/2013
57-70-00	Figure 01	2	Nov 1/2013







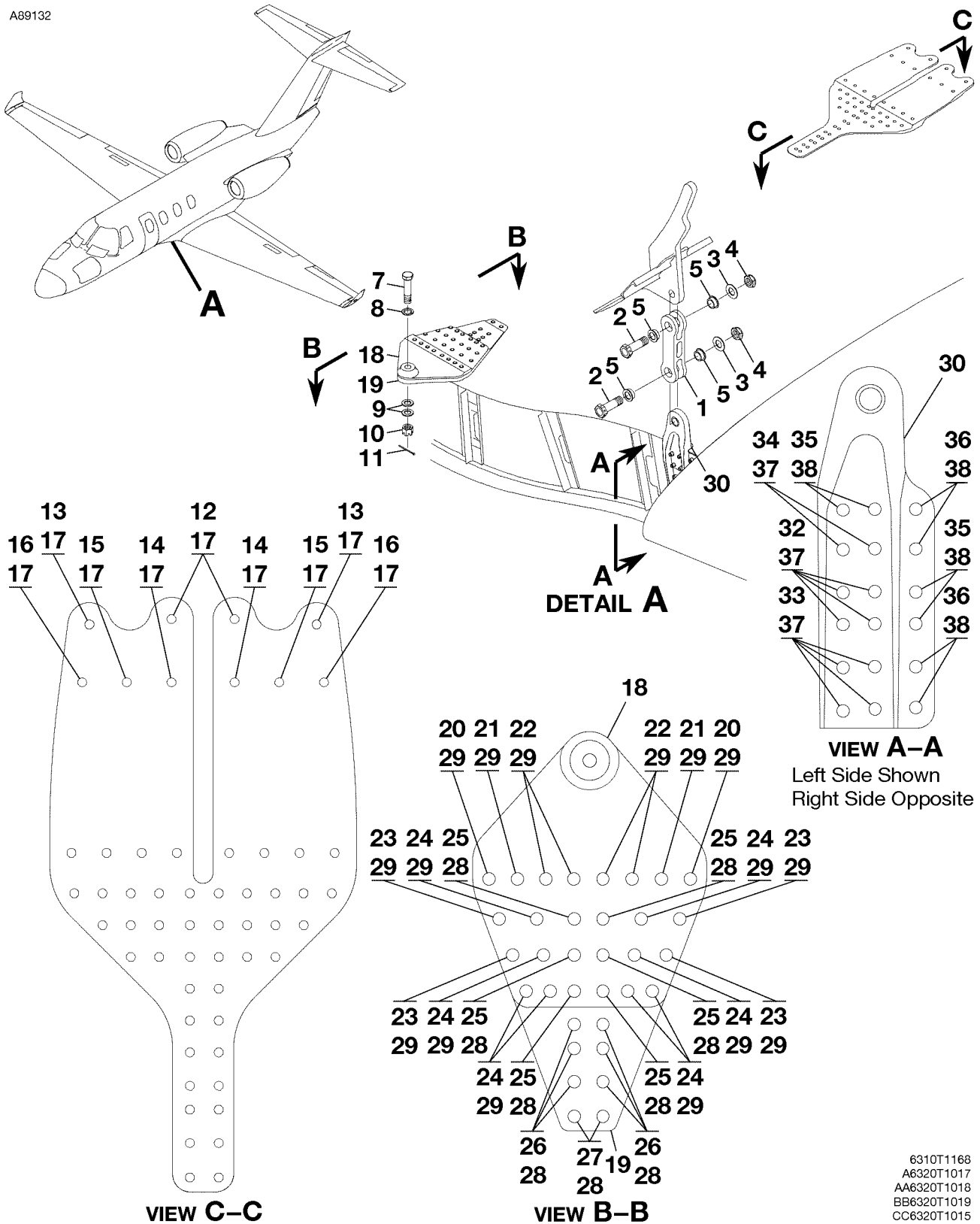


CESSNA®  
**MODEL 525 (SERIALS -0685 AND -0800 AND ON)**  
 ILLUSTRATED PARTS CATALOG

<u>SUBJECT</u>	<u>CHAPTER SECTION SUBJECT</u>	<u>FIGURE</u>	<u>EFFECTIVITY</u>	
			<u>START</u>	<u>END</u>
WING INSTALLATION	57-00-00	01		
CENTER WING SPAR STRUCTURE INSTALLATION	57-10-00	01		
CENTER WING RIB INSTALLATION - INBOARD	57-10-00	02		
CENTER WING RIB INSTALLATION - OUTBOARD	57-10-00	03		
ACCESS PANELS - CENTER WING	57-10-01	01		
WHEELWELL STRUCTURE INSTALLATION	57-10-01	02		
ACCESS PANELS - OUTBOARD WING	57-20-01	01		
MAIN LANDING GEAR (MLG) ATTACH FITTINGS	57-20-01	02		
MAIN LANDING GEAR (MLG) WHEEL FAIRING INSTALLATION	57-20-02	01		
OUTBOARD WING RIB INSTALLATION	57-20-03	01		
OUTBOARD WING SPAR ASSEMBLY	57-20-03	02		
WING SKINS	57-30-00	02		
WINGLET INSTALLATION	57-30-01	01		
WING LEADING EDGE	57-40-00	01		
TRAILING EDGE INSTALLATION	57-50-00	01		
FLAP ATTACH FITTINGS	57-50-01	01		
FLAPS	57-50-01	02		
AILERON ATTACH FITTINGS	57-60-00	01		
AILERON AND TRIM TAB INSTALLATION	57-60-00	02		
AILERON RIB INSTALLATION	57-60-00	03		
SPEED BRAKE	57-70-00	01		

CESSNA®  
**MODEL 525 (SERIALS -0685 AND -0800 AND ON)**  
 ILLUSTRATED PARTS CATALOG

A89132



WING INSTALLATION  
 FIGURE 01 (SHEET 1)

6310T1168  
 A6320T1017  
 AA6320T1018  
 BB6320T1019  
 CC6320T1015

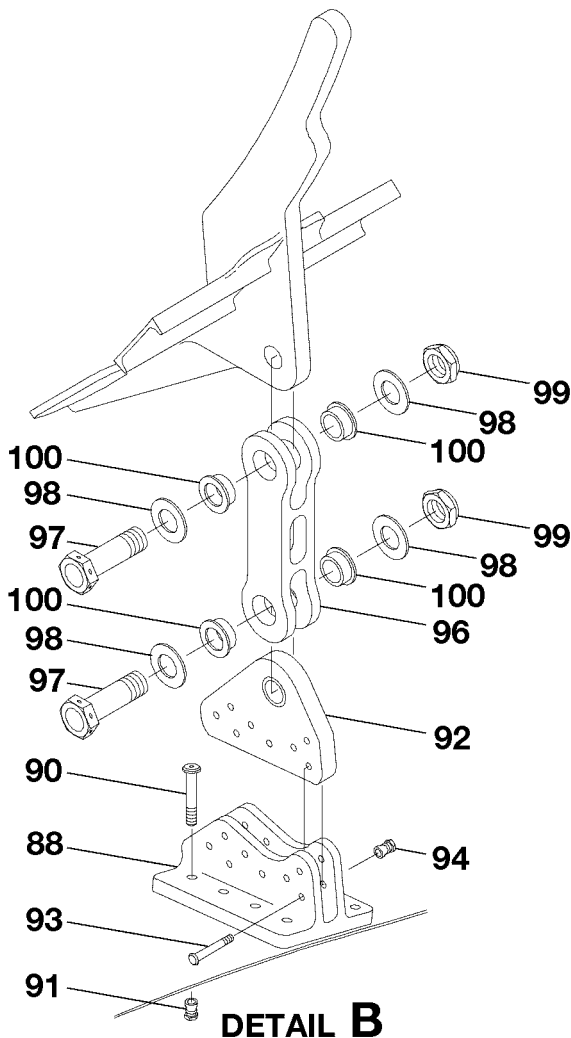
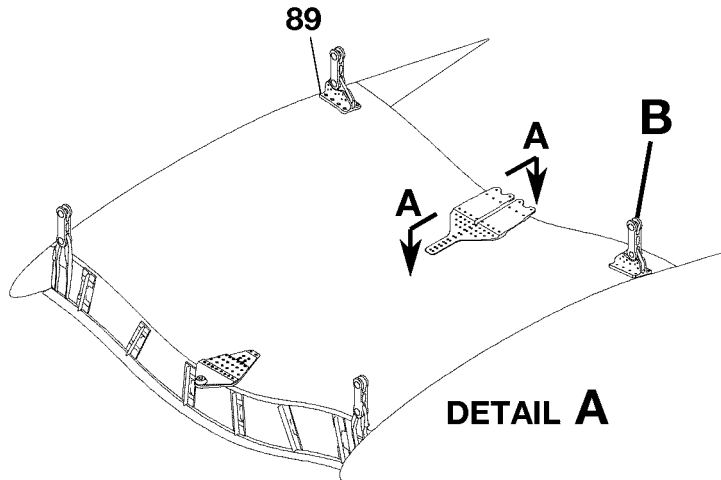
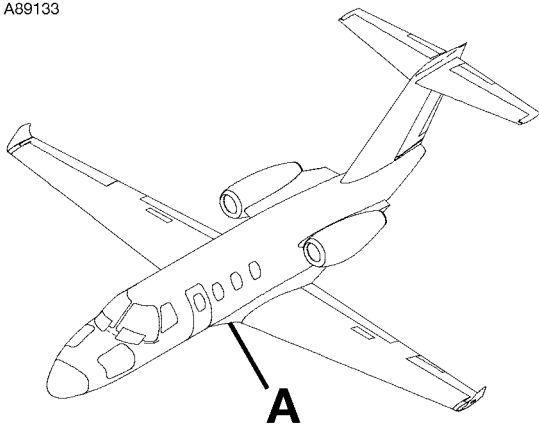
CESSNA®  
**MODEL 525 (SERIALS -0685 AND -0800 AND ON)**  
 ILLUSTRATED PARTS CATALOG

FIG ITEM	PART NUMBER	NOMENCLATURE	UNITS
			PER ASSY
01		WING INSTALLATION	RF
- 1	6311050-3	. LINK ASSY-FWD . . . . .	02
		ATTACHING PARTS	
2	S3461-15	. BOLT . . . . .	02
3	NAS1149F1063P	. WASHER . . . . .	04
4	MS21083N10	. NUT . . . . .	02
		—*—	
5	NAS77-10-030	. BUSHING . . . . .	04
- 6	6322000-1	. WING ASSY . . . . .	01
		ATTACHING PARTS	
7	AN8-22	. BOLT-FWD . . . . .	01
8	MS20002C8	. WASHER-FWD . . . . .	01
9	MS20002-8	. WASHER-FWD . . . . .	02
10	MS17825-8	. NUT-FWD . . . . .	01
11	MS24665-289	. COTTER PIN-FWD . . . . .	01
12	HL12VBJ8-13	. PIN-AFT . . . . . V73197	02
13	HL12VBJ8-14	. PIN-AFT . . . . . V73197	02
14	HL12VBJ8-15	. PIN-AFT . . . . . V73197	02
15	HL12VBJ8-17	. PIN-AFT . . . . . V73197	02
16	HL12VBJ8-18	. PIN-AFT . . . . . V73197	02
17	HL75DU8ADW	. COLLAR-AFT . . . . . V73197	10
		—*—	
18	6322012-5	. CONE PLATE MACHINING . . . . .	01
19	6322012-3	. BACKUP PLATE . . . . .	01
		ATTACHING PARTS	
20	HL10VBJ6-13	. PIN . . . . . V73197	02
21	HL10VBJ6-14	. PIN . . . . . V73197	02
22	HL10VBJ6-15	. PIN . . . . . V73197	04
23	HL10VBJ6-7	. PIN . . . . . V73197	04
24	HL10VBJ6-8	. PIN . . . . . V73197	08
25	HL10VBJ5-10	. PIN . . . . . V73197	06
26	HL10VBJ5-5	. PIN . . . . . V73197	06
27	HL10VBJ5-4	. PIN . . . . . V73197	02
28	HL70-5	. COLLAR . . . . . V73197	14
29	HL75DU6ADW	. COLLAR ASSY . . . . . V73197	20
		—*—	
30	6322011-1	. FITTING ASSY-LH FWD . . . . .	01
- 31	6322011-2	. FITTING ASSY-RH FWD . . . . .	01
		ATTACHING PARTS	
32	HL18PB5-4	. PIN . . . . . V73197	04
33	HL18PB5-6	. PIN . . . . . V73197	04
34	HL18PB5-7	. PIN . . . . . V73197	02
35	HL18PB6-7	. PIN . . . . . V73197	04
36	HL18PB6-9	. PIN . . . . . V73197	04
37	HL70-5	. COLLAR . . . . . V73197	10
38	HL70-6	. COLLAR . . . . . V73197	08
		—*—	
- 39	NAS75-10-016	. BUSHING . . . . .	01

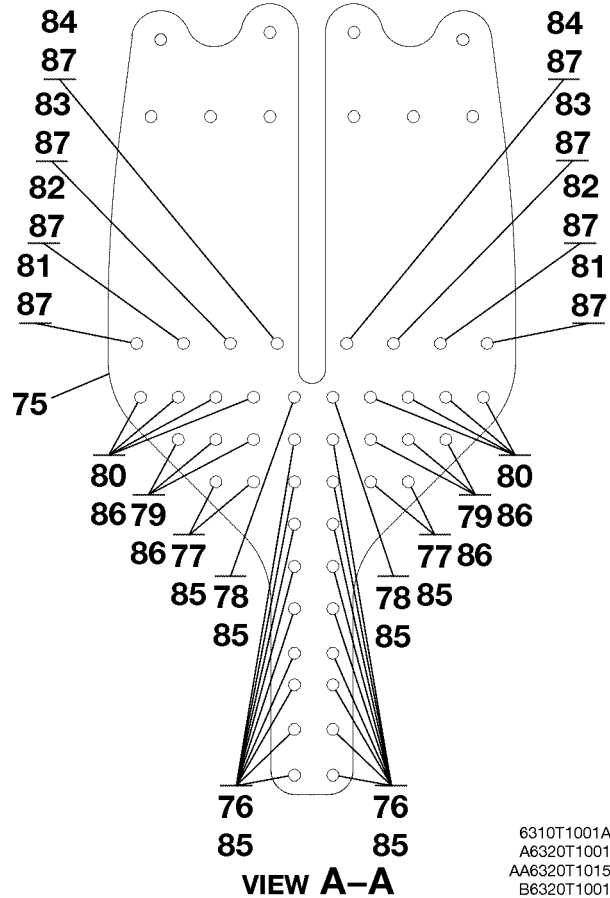
- ITEM NOT ILLUSTRATED

CESSNA®  
**MODEL 525 (SERIALS -0685 AND -0800 AND ON)**  
 ILLUSTRATED PARTS CATALOG

A89133



**DETAIL B**  
 Left Side Shown  
 Right Side Opposite



WING INSTALLATION  
 FIGURE 01 (SHEET 2)

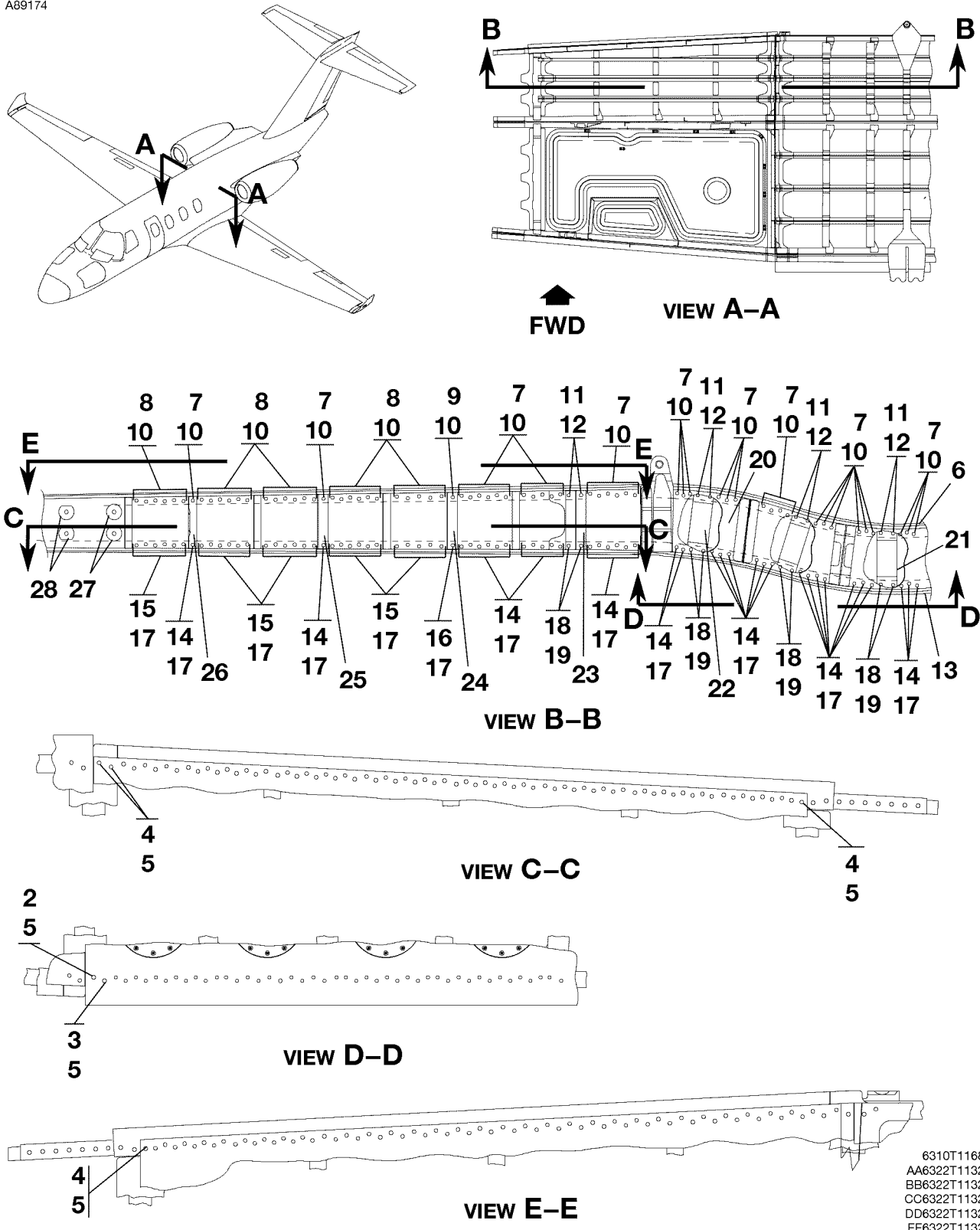
6310T1001A  
 A6320T1001  
 AA6320T1015  
 B6320T1001

CESSNA®  
**MODEL 525 (SERIALS -0685 AND -0800 AND ON)**  
 ILLUSTRATED PARTS CATALOG

FIG ITEM	PART NUMBER	NOMENCLATURE	UNITS
			PER ASSY
		1 2 3 4 5 6 7	
01			
75	6322012-1	. . YAW PLATE-AFT ATTACH. . . . . ATTACHING PARTS	01
76	HL10VBJ5-5	. . PIN . . . . . V73197	18
77	HL10VBJ5-4	. . PIN . . . . . V73197	04
78	HL10VBJ5-7	. . PIN . . . . . V73197	02
79	HL10VBJ6-4	. . PIN . . . . . V73197	06
80	HL10VBJ6-6	. . PIN . . . . . V73197	08
81	HL12VBJ8-14	. . PIN . . . . . V73197	02
82	HL12VBJ8-15	. . PIN . . . . . V73197	02
83	HL12VBJ8-16	. . PIN . . . . . V73197	02
84	HL12VBJ8-17	. . PIN . . . . . V73197	02
85	HL70-5	. . COLLAR . . . . . V73197	24
86	HL70-6	. . COLLAR . . . . . V73197	14
87	HL75DU8ADW	. . COLLAR . . . . . V73197 —*—	08
88	6322011-9	. . FITTING-LH AFT ATTACH. . . . .	01
89	6322011-10	. . FITTING-RH AFT ATTACH . . . . . ATTACHING PARTS	01
90	HL12VBJ8-17	. . PIN . . . . . V73197	08
91	HL75DU8ADW	. . COLLAR . . . . . V73197 —*—	08
92	6322011-7	. . PLATE ASSY-AFT . . . . . ATTACHING PARTS	02
93	HL10VBJ6-16	. . PIN . . . . .	08
94	HL70-6	. . COLLAR . . . . . —*—	08
- 95	NAS75-10-016	. . . BUSHING . . . . .	01
96	6311050-1	. LINK ASSY-AFT . . . . . ATTACHING PARTS	02
97	S3461-15	. BOLT . . . . .	02
98	NAS1149F1063P	. WASHER . . . . .	04
99	MS21083N10	. NUT . . . . . —*—	02
100	NAS77-10-030	. . BUSHING . . . . .	04

CESSNA®  
**MODEL 525 (SERIALS -0685 AND -0800 AND ON)**  
 ILLUSTRATED PARTS CATALOG

A89174



CENTER WING SPAR STRUCTURE INSTALLATION  
 FIGURE 01 (SHEET 1)

6310T1168  
 AA6322T1132  
 BB6322T1132  
 CC6322T1132  
 DD6322T1132  
 EE6322T1132

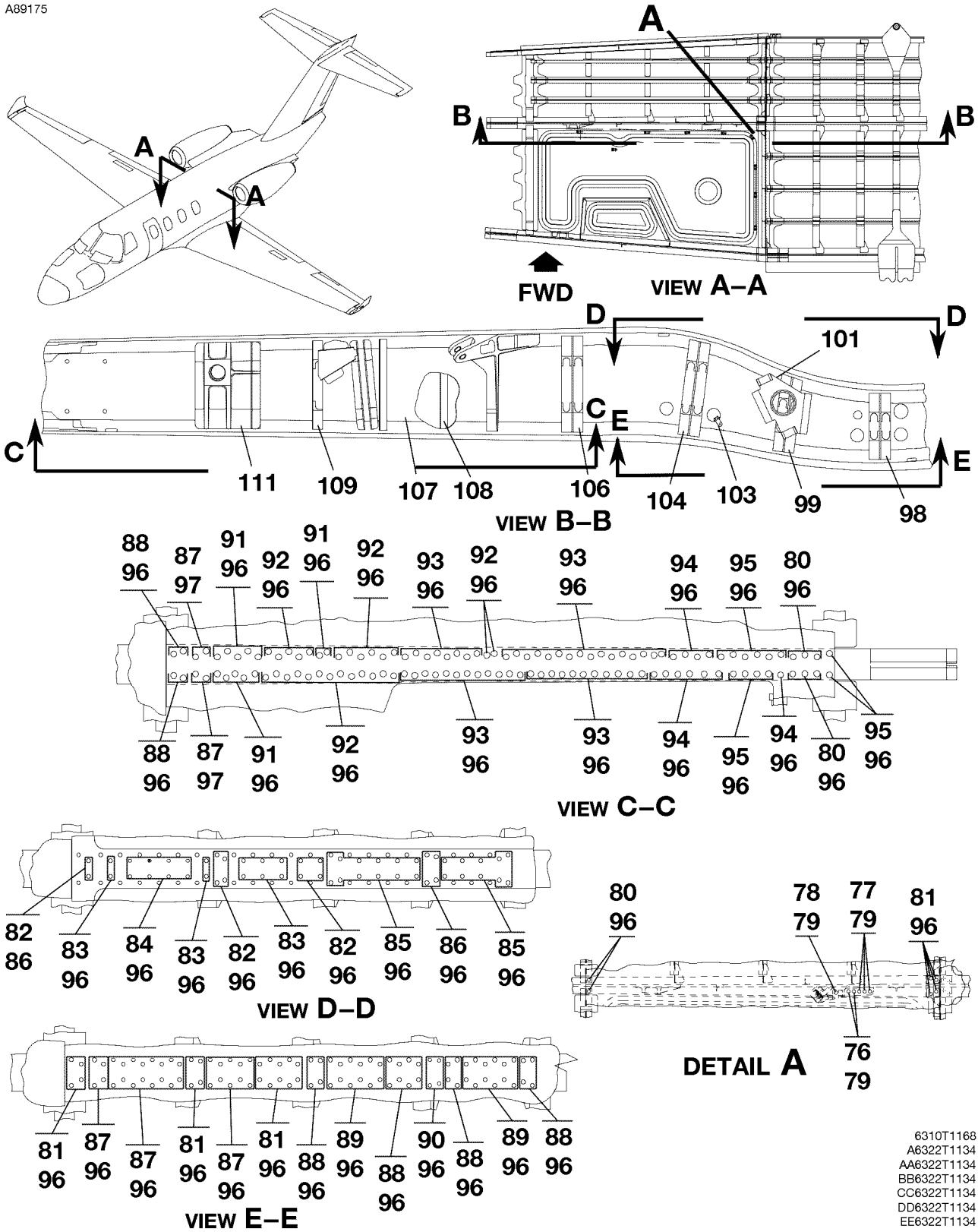
CESSNA®  
**MODEL 525 (SERIALS -0685 AND -0800 AND ON)**  
 ILLUSTRATED PARTS CATALOG

FIG ITEM	PART NUMBER	NOMENCLATURE	UNITS
			PER ASSY
01			
-		CENTER WING SPAR STRUCTURE INSTALLATION	RF
- 1	6322001-15	. CARRY THRU ASSY-FWD. . . . .	01
		ATTACHING PARTS	
2	HL11VBJ5-9	. PIN-HI-LOK . . . . . V73197	02
3	HL11VBJ5-7	. PIN-HI-LOK . . . . . V73197	02
4	HL11VBJ5-6	. PIN-HI-LOK . . . . . V73197	08
5	HL70-5	. COLLAR-HI-LOK . . . . . V73197	12
		—*—	
6	6322021-7	. FRONT SPAR CAP-UPPER . . . . .	01
		ATTACHING PARTS	
7	NAS7035H04	. PIN . . . . .	76
8	NAS7035H03	. PIN . . . . .	58
9	NAS7035H06	. PIN . . . . .	02
10	NAS1080AG05	. COLLAR . . . . .	AR
11	NAS7036H07	. PIN . . . . .	16
12	NAS1080AG06	. COLLAR . . . . .	16
		—*—	
13	6322021-4	. FRONT SPAR CAP-LOWER . . . . .	01
		ATTACHING PARTS	
14	NAS7035H04	. PIN . . . . .	74
15	NAS7035H03	. PIN . . . . .	58
16	NAS7035H06	. PIN . . . . .	02
17	NAS1080AG05	. COLLAR . . . . .	AR
18	NAS7036H07	. PIN . . . . .	16
19	NAS1080AG06	. COLLAR . . . . .	16
		—*—	
20	6322001-2	. WEB-FRONT SPAR . . . . .	01
21	6322001-3	. STIFFENER . . . . .	04
22	6322001-4	. STIFFENER . . . . .	02
23	6322001-10	. STIFFENER . . . . .	02
24	6322001-11	. STIFFENER . . . . .	02
25	6322001-12	. STIFFENER . . . . .	02
26	6322001-13	. STIFFENER . . . . .	02
27	6322001-9	. DOUBLER . . . . .	04
28	6322001-14	. DOUBLER . . . . .	04

- ITEM NOT ILLUSTRATED

CESSNA®  
**MODEL 525 (SERIALS -0685 AND -0800 AND ON)**  
 ILLUSTRATED PARTS CATALOG

A89175



**CENTER WING SPAR STRUCTURE INSTALLATION**  
 FIGURE 01 (SHEET 2)

6310T1168  
 A6322T1134  
 AA6322T1134  
 BB6322T1134  
 CC6322T1134  
 DD6322T1134  
 EE6322T1134



CESSNA®  
**MODEL 525 (SERIALS -0685 AND -0800 AND ON)**  
 ILLUSTRATED PARTS CATALOG

FIG ITEM	PART NUMBER	NOMENCLATURE	UNITS
			PER ASSY
		1 2 3 4 5 6 7	
01			
- 75	6322002-19	. CARRY THRU ASSY-CENTER SPAR . . . . .	01
		ATTACHING PARTS	
76	HL19PB6-12	. PIN-HI-LOK . . . . . V73197	04
77	HL19PB6-10	. PIN-HI-LOK . . . . . V73197	06
78	HL19PB6-26	. PIN-HI-LOK . . . . . V73197	02
79	HL70-6	. COLLAR-HI-LOK . . . . . V73197	12
80	HL11VBJ5-7	. PIN-HI-LOK . . . . . V73197	16
81	HL11VBJ5-14	. PIN-HI-LOK . . . . . V73197	44
82	HL10VBJ5-11	. PIN-HI-LOK . . . . . V73197	20
83	HL10VBJ5-10	. PIN-HI-LOK . . . . . V73197	20
84	HL10VBJ5-9	. PIN-HI-LOK . . . . . V73197	16
85	HL10VBJ5-12	. PIN-HI-LOK . . . . . V73197	22
86	HL10VBJ5-13	. PIN-HI-LOK . . . . . V73197	04
87	HL11VBJ5-13	. PIN-HI-LOK . . . . . V73197	68
88	HL11VBJ5-16	. PIN-HI-LOK . . . . . V73197	24
89	HL11VBJ5-15	. PIN-HI-LOK . . . . . V73197	24
90	HL11VBJ5-17	. PIN-HI-LOK . . . . . V73197	04
91	HL11VBJ5-12	. PIN-HI-LOK . . . . . V73197	20
92	HL11VBJ5-11	. PIN-HI-LOK . . . . . V73197	56
93	HL11VBJ5-10	. PIN-HI-LOK . . . . . V73197	94
94	HL11VBJ5-9	. PIN-HI-LOK . . . . . V73197	22
95	HL11VBJ5-8	. PIN-HI-LOK . . . . . V73197	24
96	HL70-5	. COLLAR-HI-LOK . . . . . V73197	AR
97	HL75DU5ADW	. COLLAR-HI-LOK . . . . . V73197	08
		*—	
98	6322002-3	. STIFFENER . . . . .	02
99	6322002-5	. STIFFENER-LH . . . . .	01
- 100	6322002-6	. STIFFENER-RH . . . . .	01
101	6326251-35	. BRACKET ASSY-LH . . . . .	01
- 102	6326251-36	. BRACKET ASSY-RH . . . . .	01
103	S4132-2	. MOUNT . . . . .	02
104	6322002-7	. STIFFENER-LH . . . . .	01
- 105	6322002-8	. STIFFENER-RH . . . . .	01
106	6322002-4	. STIFFENER . . . . .	02
107	6322002-14	. WEB-MAIN SPAR . . . . .	01
108	6322002-9	. STIFFENER . . . . .	02
109	6322002-13	. STIFFENER-LH . . . . .	01
- 110	6322002-12	. STIFFENER-RH . . . . .	01
111		. TRUNNION FITTING ASSY REFER TO 57-20-01 FIGURE 02 . . . . .	RF

- ITEM NOT ILLUSTRATED

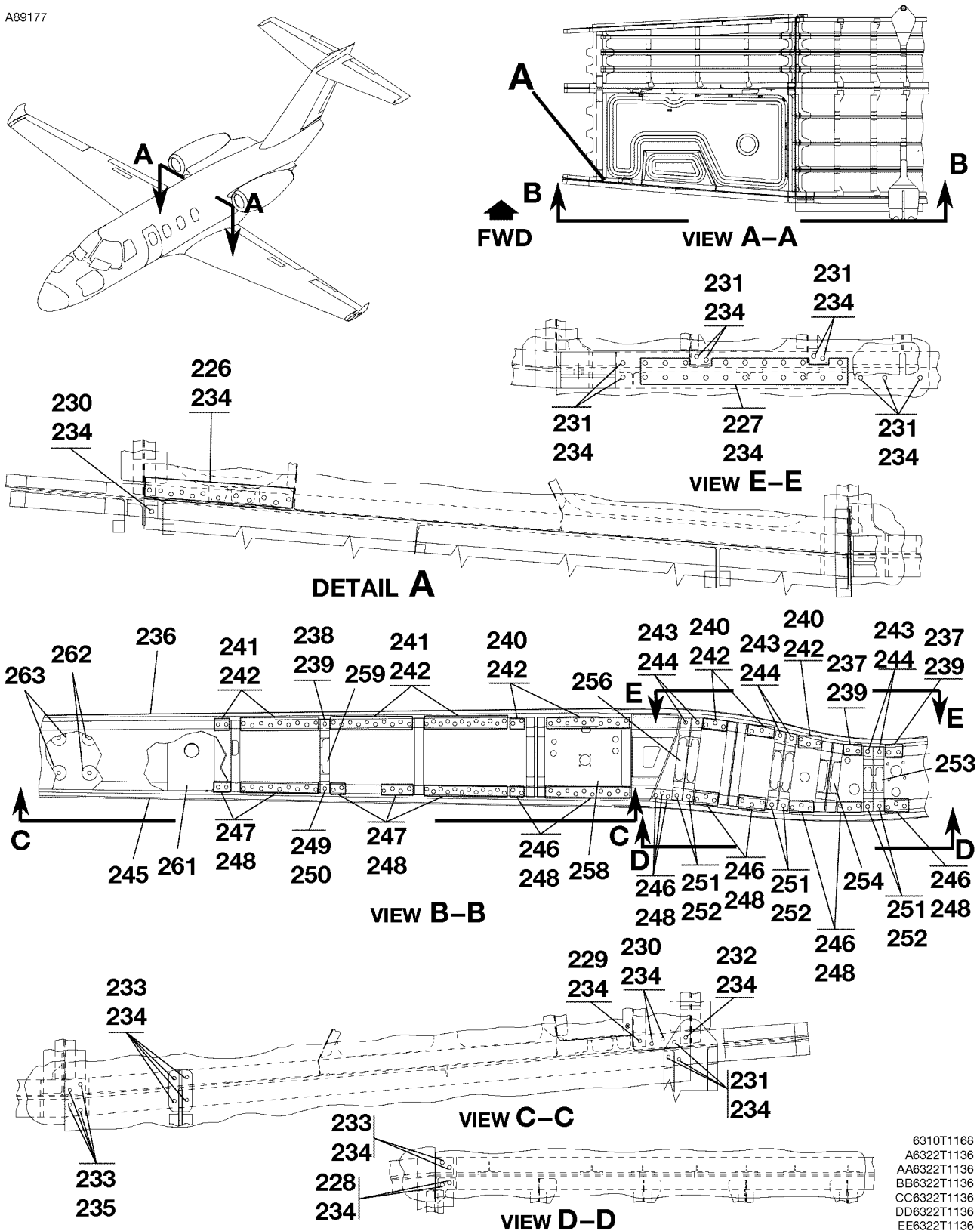


CESSNA®  
**MODEL 525 (SERIALS -0685 AND -0800 AND ON)**  
 ILLUSTRATED PARTS CATALOG

FIG ITEM	PART NUMBER	1 2 3 4 5 6 7	NOMENCLATURE	UNITS
				PER ASSY
01				
150	6322022-7		.. MAIN SPAR CAP-UPPER .. ATTACHING PARTS	01
151	NAS7036H08		.. PIN ..	26
152	NAS7036H07		.. PIN ..	14
153	NAS1080AG06		.. COLLAR ..	40
154	NAS7038H10		.. PIN ..	16
155	NAS1080AG08		.. COLLAR ..	16
156	NAS7035H07		.. PIN ..	14
157	NAS7035H06		.. PIN ..	10
158	NAS7035H05		.. PIN ..	32
159	NAS7035H04		.. PIN ..	16
160	NAS1080AG05		.. COLLAR ..	72
161	HL18PB6-13		.. PIN-HI-LOK .. V73197	02
162	HL70-6		.. COLLAR-HI-LOK .. V73197 —*—	02
163	6322022-4		.. MAIN SPAR CAP-LOWER .. ATTACHING PARTS	01
164	NAS7036H08		.. PIN ..	30
165	NAS7036H07		.. PIN ..	12
166	NAS1080AG06		.. COLLAR ..	42
167	NAS7038H10		.. PIN ..	16
168	NAS1080AG08		.. COLLAR ..	16
169	NAS7035H07		.. PIN ..	14
170	NAS7035H06		.. PIN ..	26
171	NAS7035H05		.. PIN ..	32
172	NAS7035H04		.. PIN ..	16
173	NAS1080AG05		.. COLLAR .. —*—	88

CESSNA®  
**MODEL 525 (SERIALS -0685 AND -0800 AND ON)**  
 ILLUSTRATED PARTS CATALOG

A89177



CENTER WING SPAR STRUCTURE INSTALLATION  
 FIGURE 01 (SHEET 4)

6310T1168  
 A6322T1136  
 AA6322T1136  
 BB6322T1136  
 CC6322T1136  
 DD6322T1136  
 EE6322T1136

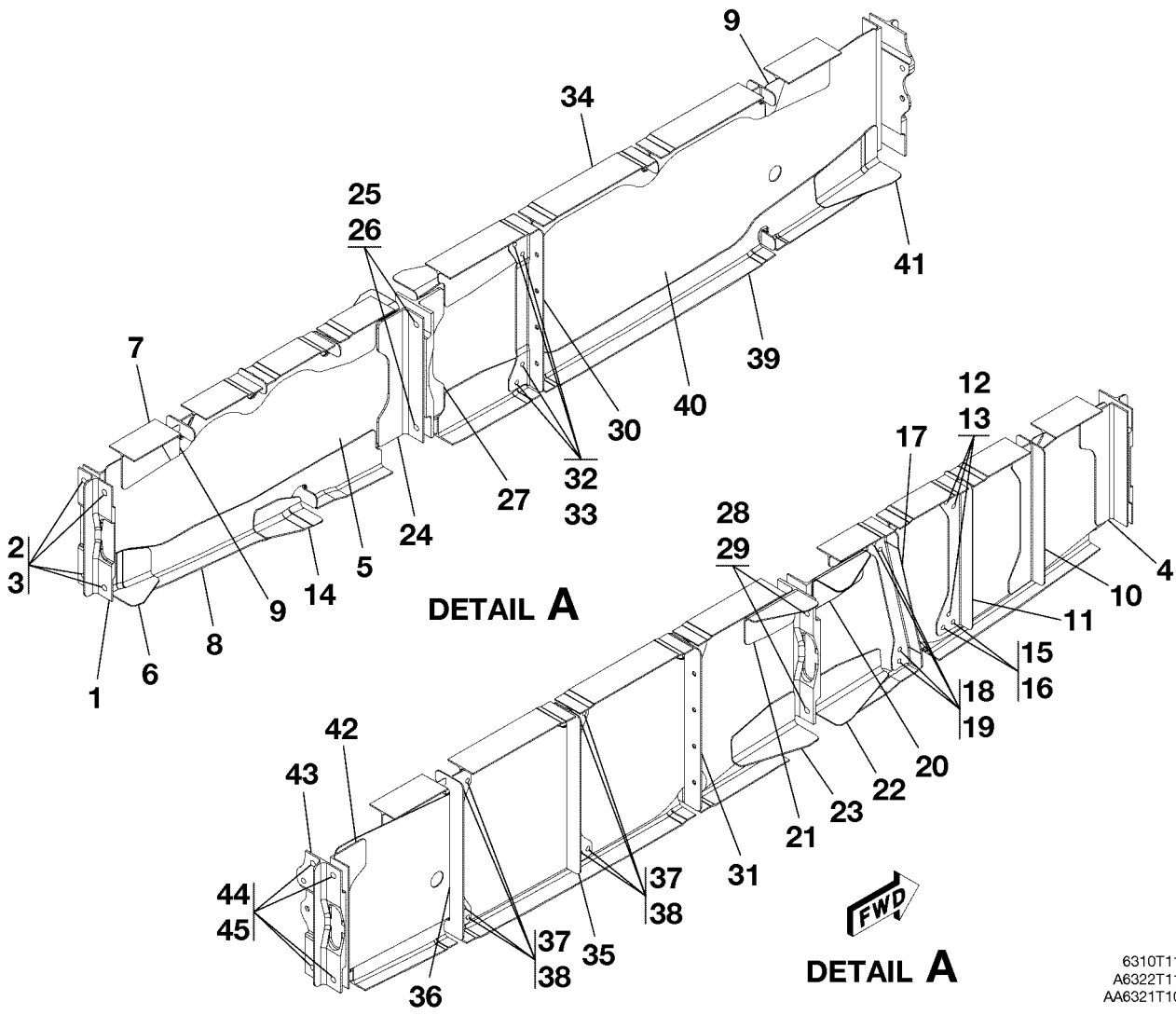
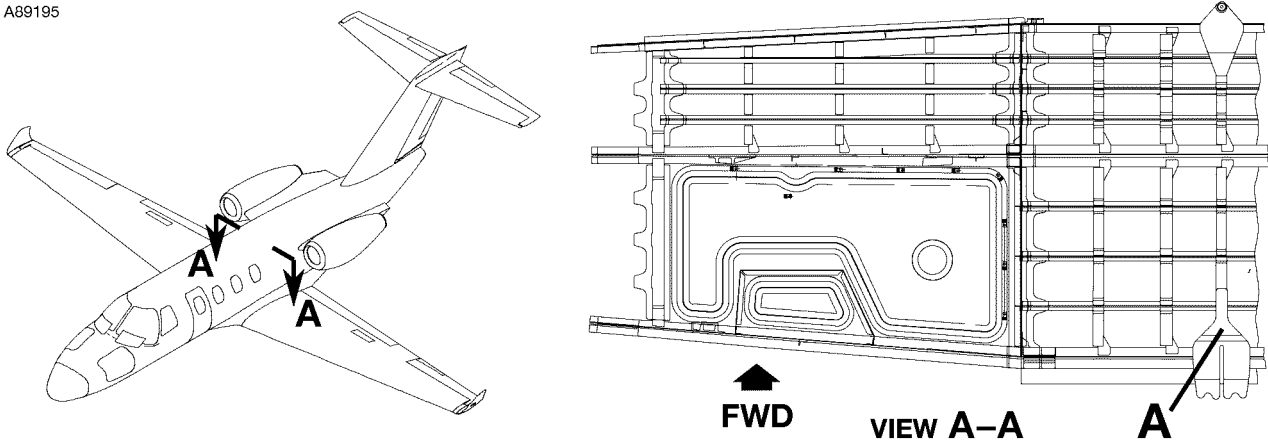
CESSNA®  
**MODEL 525 (SERIALS -0685 AND -0800 AND ON)**  
 ILLUSTRATED PARTS CATALOG

FIG ITEM	PART NUMBER	NOMENCLATURE	UNITS
			PER ASSY
		1 2 3 4 5 6 7	
01			
- 225	6322003-20	. CARRY THRU ASSY-REAR SPAR . . . . .	01
		ATTACHING PARTS	
226	HL11VBJ5-6	. PIN-HI-LOK . . . . . V73197	24
227	HL10VBJ5-8	. PIN-HI-LOK . . . . . V73197	20
228	HL11VBJ5-14	. PIN-HI-LOK . . . . . V73197	04
229	HL11VBJ5-10	. PIN-HI-LOK . . . . . V73197	02
230	HL11VBJ5-8	. PIN-HI-LOK . . . . . V73197	06
231	HL10VBJ5-9	. PIN-HI-LOK . . . . . V73197	24
232	HL11VBJ5-9	. PIN-HI-LOK . . . . . V73197	02
233	HL11VBJ5-11	. PIN-HI-LOK . . . . . V73197	20
234	HL70-5	. COLLAR-HI-LOK . . . . . V73197	94
235	HL82-5ADW	. COLLAR-HI-LOK . . . . . V73197	08
		—*—	
236	6322023-7	. . REAR SPAR CAP-UPPER . . . . .	01
		ATTACHING PARTS	
237	NAS7036H06	. . PIN . . . . .	08
238	NAS7036H07	. . PIN . . . . .	02
239	NAS1080AG06	. . COLLAR . . . . .	10
240	NAS7035H06	. . PIN . . . . .	42
241	NAS7035H05	. . PIN . . . . .	66
242	NAS1080AG05	. . COLLAR . . . . .	AR
243	NAS7038H09	. . PIN . . . . .	12
244	NAS1080AG08	. . COLLAR . . . . .	12
		—*—	
245	6322023-4	. . REAR SPAR CAP-LOWER . . . . .	01
		ATTACHING PARTS	
246	NAS7035H06	. . PIN . . . . .	60
247	NAS7035H05	. . PIN . . . . .	58
248	NAS1080AG05	. . COLLAR . . . . .	AR
249	NAS7036H07	. . PIN . . . . .	02
250	NAS1080AG06	. . COLLAR . . . . .	02
251	NAS7038H09	. . PIN . . . . .	12
252	NAS1080AG08	. . COLLAR . . . . .	12
		—*—	
253	6322003-11	. . STIFFENER . . . . .	02
254	6322003-5	. . STIFFENER-LH . . . . .	01
- 255	6322003-6	. . STIFFENER-RH . . . . .	01
256	6322003-3	. . STIFFENER-LH . . . . .	01
- 257	6322003-4	. . STIFFENER-RH . . . . .	01
258	6322003-21	. . WEB . . . . .	01
259	6322003-15	. . STIFFENER-LH . . . . .	01
- 260	6322003-16	. . STIFFENER-RH . . . . .	01
261		. . FITTING ASSY REFER TO 57-20-01 FIGURE 02 . . . . .	RF
262	6322001-9	. . DOUBLER . . . . .	04
263	6322001-14	. . DOUBLER . . . . .	04

- ITEM NOT ILLUSTRATED

CESSNA®  
**MODEL 525 (SERIALS -0685 AND -0800 AND ON)**  
 ILLUSTRATED PARTS CATALOG

A89195



CENTER WING RIB INSTALLATION - INBOARD  
 FIGURE 02 (SHEET 1)

6310T1168  
 A6322T1133  
 AA6321T1017

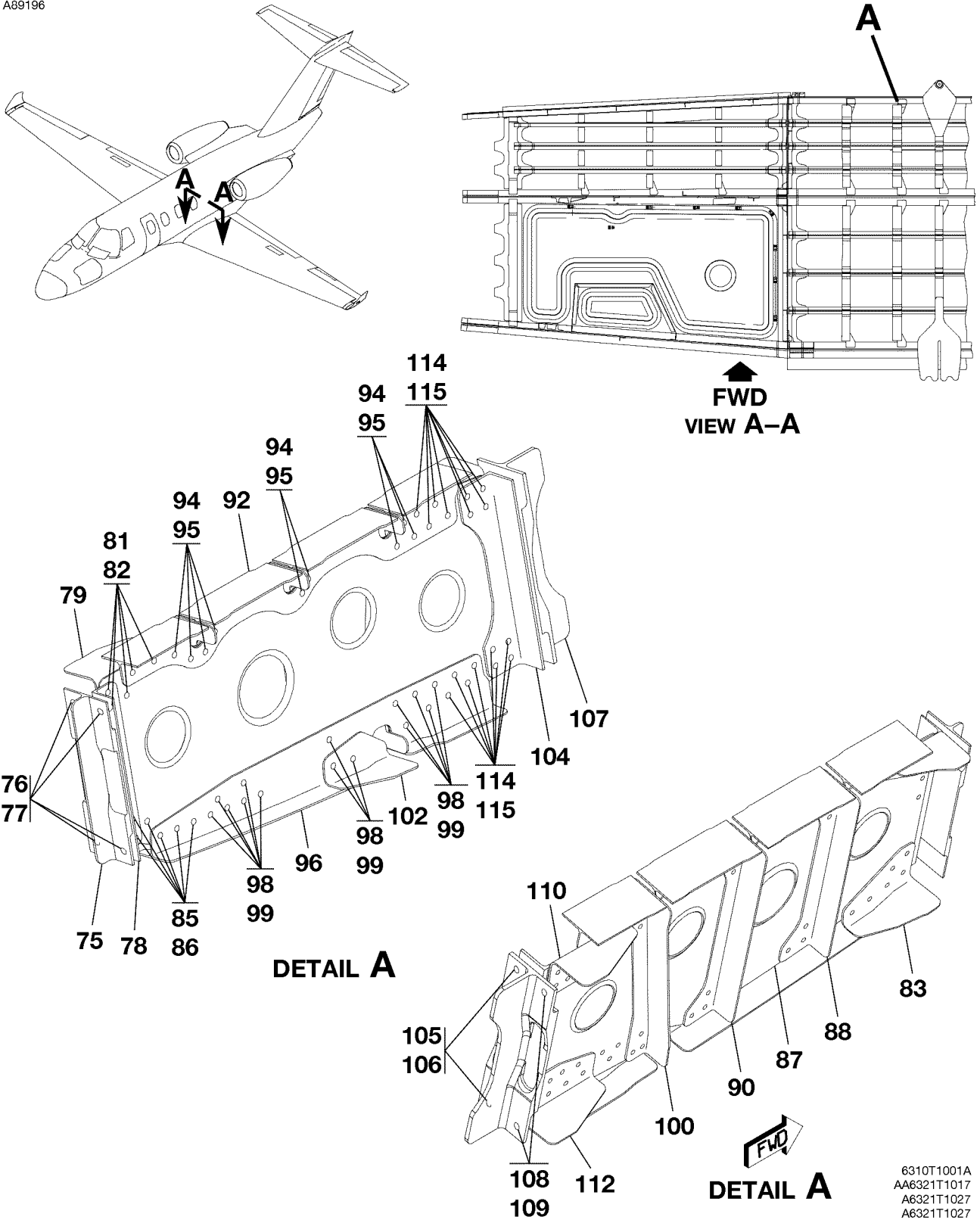
CESSNA®  
**MODEL 525 (SERIALS -0685 AND -0800 AND ON)**  
 ILLUSTRATED PARTS CATALOG

FIG ITEM	PART NUMBER	NOMENCLATURE	UNITS
			PER ASSY
		1 2 3 4 5 6 7	
02		CENTER WING RIB INSTALLATION - INBOARD	RF
-		. STIFFENER-FRONT SPAR FWD	01
1	6322027-25	. ATTACHING PARTS	
2	NAS7036H05	. PIN	04
3	NAS1080K06	. COLLAR	04
		—*—	
4	6322027-14	. STIFFENER-FRONT SPAR AFT	01
5	6322027-2	. WEB-FWD	01
6	6322027-8	. CLIP-LWR FRONT SPAR	01
7	6322027-4	. RIB CAP-UPR FWD	01
8	6322027-31	. RIB CAP-LWR FWD	01
9	6322027-27	. PLATE	02
10	6322027-18	. STIFFENER	01
11	6322027-19	. STIFFENER	01
		. ATTACHING PARTS	
12	HL10VBJ5-3	. PIN-HI-LOK . . . . . V73197	03
13	HL70-5	. COLLAR-HI-LOK . . . . . V73197	03
		—*—	
14	6322027-28	. CLIP	01
		. ATTACHING PARTS	
15	HL10VBJ5-4	. PIN-HI-LOK . . . . . V73197	02
16	HL70-5	. COLLAR-HI-LOK . . . . . V73197	02
		—*—	
17	6322027-20	. STIFFENER	01
		. ATTACHING PARTS	
18	HL10VBJ5-3	. PIN-HI-LOK . . . . . V73197	04
19	HL70-5	. COLLAR-HI-LOK . . . . . V73197	04
		—*—	
20	6322027-9	. CLIP-MAIN SPAR UPR FWD	01
21	6322027-10	. CLIP-MAIN SPAR UPR AFT	01
22	6322027-11	. CLIP-MAIN SPAR LWR FWD	01
23	6322027-12	. CLIP-MAIN SPAR LWR AFT	01
24	6322027-15	. STIFFENER-MAIN SPAR FWD	01
		. ATTACHING PARTS	
25	NAS7038H11	. PIN	02
26	NAS1080K08	. COLLAR	02
		—*—	
27	6322027-16	. STIFFENER-MAIN SPAR AFT	01
		. ATTACHING PARTS	
28	NAS7038H10	. PIN	02
29	NAS1080K08	. COLLAR	02
		—*—	
30	6322027-21	. STIFFENER-LH	01
31	6322027-22	. STIFFENER-RH	01
		. ATTACHING PARTS	
32	HL10VBJ5-4	. PIN-HI-LOK . . . . . V73197	04
33	HL70-5	. COLLAR-HI-LOK . . . . . V73197	04
		—*—	
34	6322027-6	. RIB CAP-UPR AFT	01
35	6322027-23	. STIFFENER	01
36	6322027-24	. STIFFENER	01
		. ATTACHING PARTS	
37	HL10VBJ5-3	. PIN-HI-LOK . . . . . V73197	04
38	HL70-5	. COLLAR-HI-LOK . . . . . V73197	04
		—*—	
39	6322027-29	. RIB CAP-LWR AFT	01
40	6322027-3	. WEB-AFT	01
41	6322027-13	. CLIP	01
42	6322027-17	. STIFFENER-REAR SPAR FWD	01
43	6322027-26	. STIFFENER-REAR SPAR AFT	01
		. ATTACHING PARTS	
44	NAS7036H08	. PIN	04
45	NAS1080K08	. COLLAR	04
		—*—	

- ITEM NOT ILLUSTRATED

CESSNA®  
**MODEL 525 (SERIALS -0685 AND -0800 AND ON)**  
 ILLUSTRATED PARTS CATALOG

A89196



CENTER WING RIB INSTALLATION - INBOARD  
 FIGURE 02 (SHEET 2)

6310T1001A  
 AA6321T1017  
 A6321T1027  
 A6321T1027



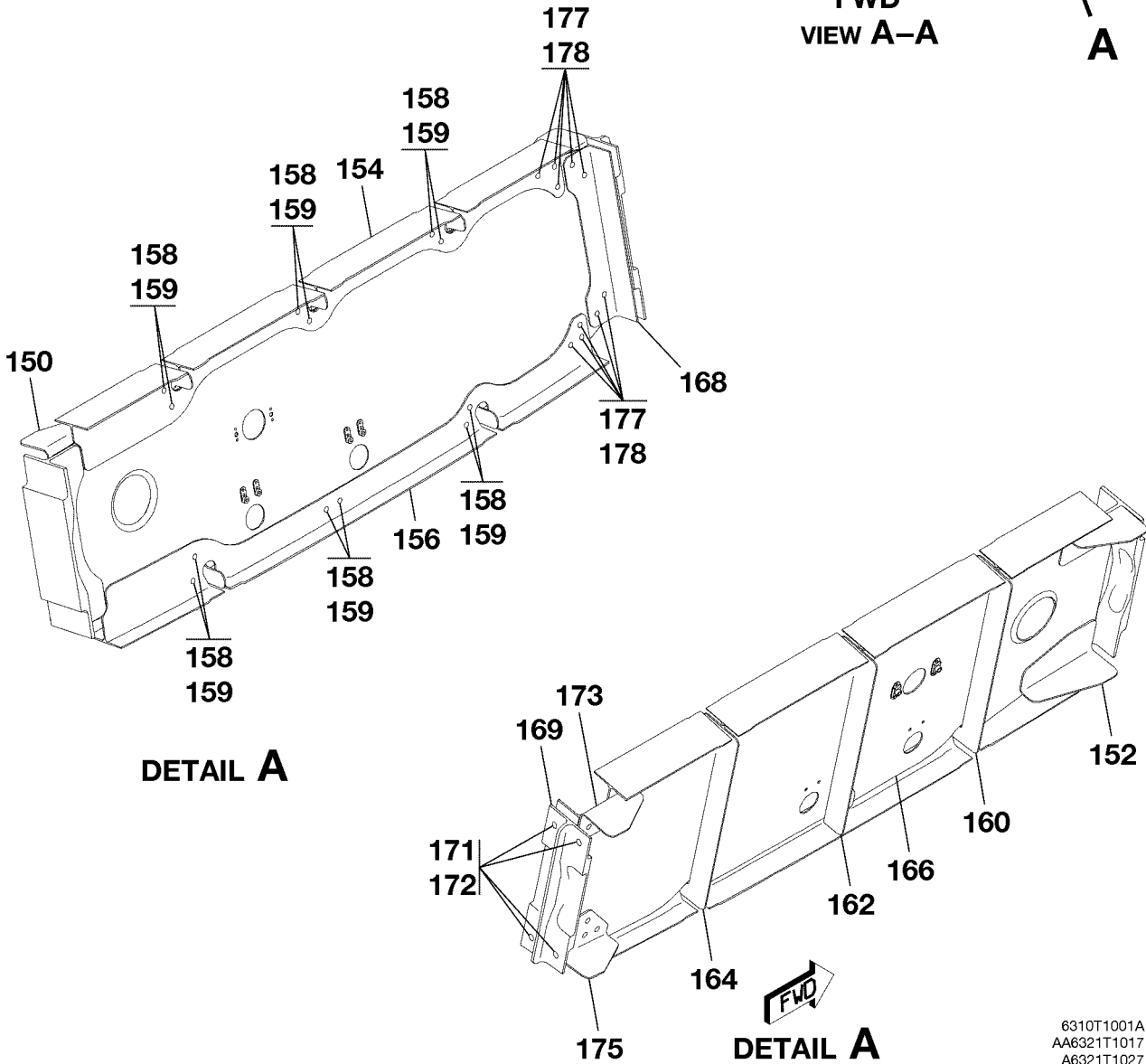
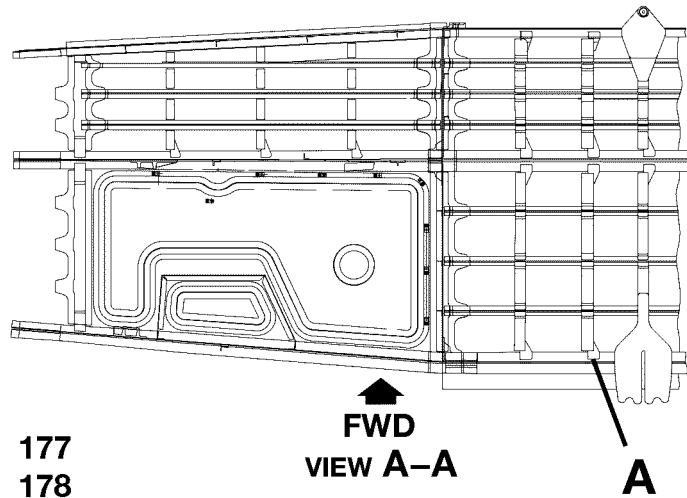
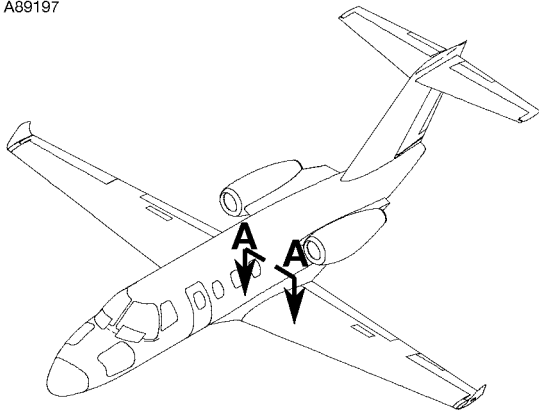
CESSNA®  
**MODEL 525 (SERIALS -0685 AND -0800 AND ON)**  
 ILLUSTRATED PARTS CATALOG

FIG ITEM	PART NUMBER	NOMENCLATURE	UNITS
			PER ASSY
		1 2 3 4 5 6 7	
02			
75	6322028-48	. STIFFENER-FRONT SPAR FWD . . . . .	02
		. ATTACHING PARTS	
76	NAS7036H08	. PIN . . . . .	04
77	NAS1080K06	. COLLAR . . . . .	04
		—*—	
78	6322028-5	. STIFFENER-FRONT SPAR AFT . . . . .	02
79	6322028-23	. CLIP-LH UPR FRONT SPAR . . . . .	01
- 80	6322028-24	. CLIP-RH UPR FRONT SPAR . . . . .	01
		. ATTACHING PARTS	
81	HL10VBJS-3	. PIN-HI-LOK . . . . . V73197	05
82	HL70-5	. COLLAR-HI-LOK . . . . . V73197	05
		—*—	
83	6322028-25	. CLIP-LH LWR FRONT SPAR . . . . .	01
- 84	6322028-26	. CLIP-RH LWR FRONT SPAR . . . . .	01
		. ATTACHING PARTS	
85	HL10VBJS-3	. PIN-HI-LOK . . . . . V73197	06
86	HL70-5	. COLLAR-HI-LOK . . . . . V73197	06
		—*—	
87	6322028-47	. WEB-FWD . . . . .	02
88	6322028-11	. STIFFENER-LH . . . . .	01
- 89	6322028-12	. STIFFENER-RH . . . . .	01
90	6322028-13	. STIFFENER-LH . . . . .	01
- 91	6322028-14	. STIFFENER-RH . . . . .	01
92	6322028-37	. RIB CAP-LH FWD UPR . . . . .	01
- 93	6322028-38	. RIB CAP-RH FWD UPR . . . . .	01
		. ATTACHING PARTS	
94	HL10VBJS-3	. PIN-HI-LOK . . . . . V73197	09
95	HL70-5	. COLLAR-HI-LOK . . . . . V73197	09
		—*—	
96	6322028-57	. RIB CAP-LH FWD LWR . . . . .	01
- 97	6322028-58	. RIB CAP-RH FWD LWR . . . . .	01
		. ATTACHING PARTS	
98	HL10VBJS-3	. PIN-HI-LOK . . . . . V73197	14
99	HL70-5	. COLLAR-HI-LOK . . . . . V73197	14
		—*—	
100	6322028-15	. STIFFENER-LH . . . . .	01
- 101	6322028-16	. STIFFENER-RH . . . . .	01
102	6322028-51	. CLIP-LH LWR . . . . .	01
- 103	6322028-52	. CLIP-RH LWR . . . . .	01
104	6322028-6	. STIFFENER-MAIN SPAR FWD . . . . .	02
		. ATTACHING PARTS	
105	NAS7038H11	. PIN . . . . .	02
106	NAS1080K08	. COLLAR . . . . .	02
		—*—	
107	6322028-7	. STIFFENER-MAIN SPAR AFT . . . . .	02
		. ATTACHING PARTS	
108	NAS7038H10	. PIN . . . . .	02
109	NAS1080K08	. COLLAR . . . . .	02
		—*—	
110	6322028-27	. CLIP-MAIN SPAR LH FWD UPR . . . . .	01
- 111	6322028-28	. CLIP-MAIN SPAR RH FWD UPR . . . . .	01
112	6322028-29	. CLIP-MAIN SPAR LH FWD LWR . . . . .	01
- 113	6322028-30	. CLIP-MAIN SPAR RH FWD LWR . . . . .	01
		. ATTACHING PARTS	
114	HL10VBJS-3	. PIN-HI-LOK . . . . . V73197	08
115	HL70-5	. COLLAR-HI-LOK . . . . . V73197	08
		—*—	

- ITEM NOT ILLUSTRATED

CESSNA®  
**MODEL 525 (SERIALS -0685 AND -0800 AND ON)**  
 ILLUSTRATED PARTS CATALOG

A89197



CENTER WING RIB INSTALLATION - INBOARD  
 FIGURE 02 (SHEET 3)

6310T1001A  
 AA6321T1017  
 A6321T1027  
 A6321T1027

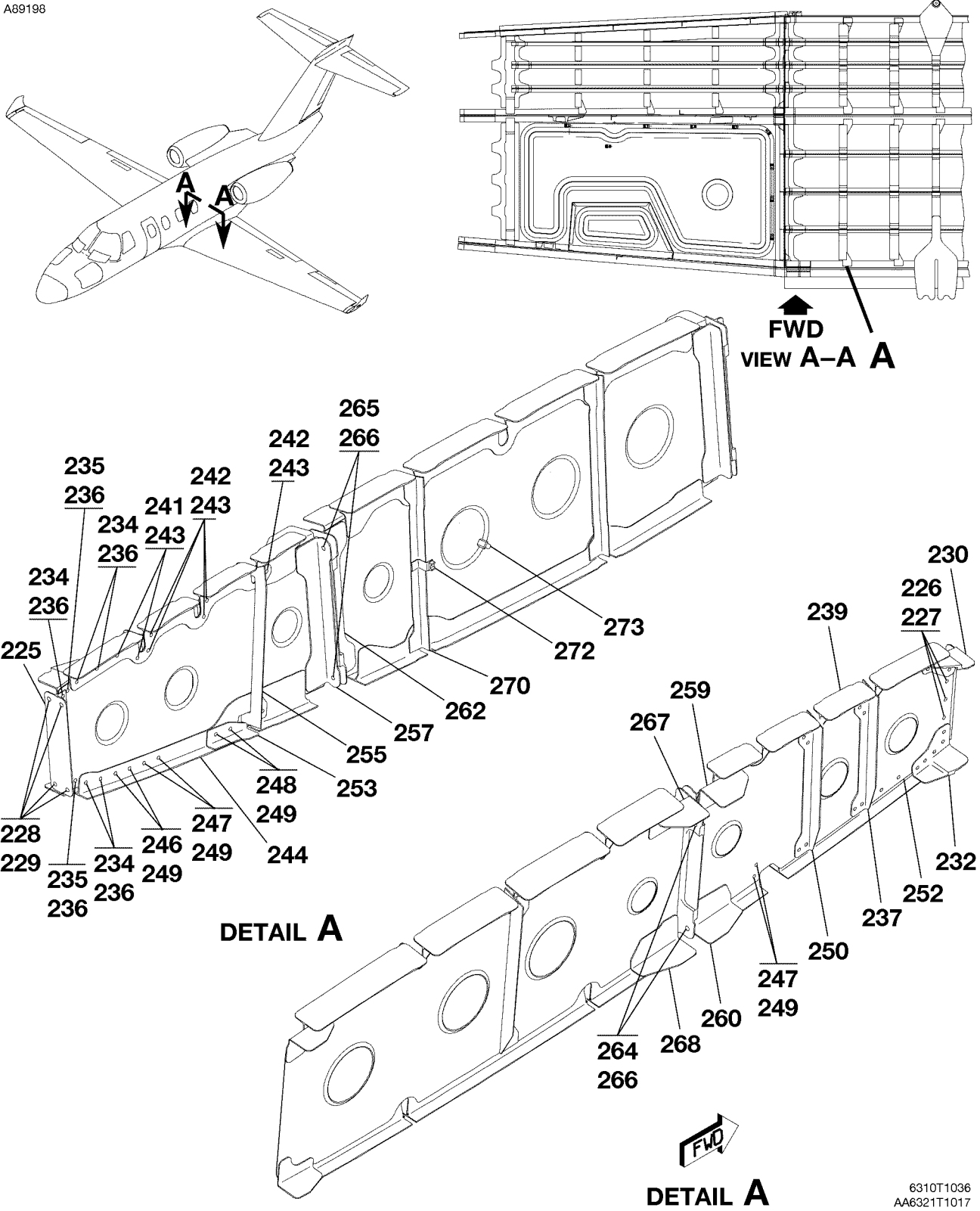
CESSNA®  
**MODEL 525 (SERIALS -0685 AND -0800 AND ON)**  
 ILLUSTRATED PARTS CATALOG

FIG ITEM	PART NUMBER	NOMENCLATURE	UNITS
			PER ASSY
02			
150	6322028-43	. CLIP-MAIN SPAR LH AFT UPR . . . . .	01
- 151	6322028-44	. CLIP-MAIN SPAR RH AFT UPR . . . . .	01
152	6322028-31	. CLIP-MAIN SPAR LH AFT LWR . . . . .	01
- 153	6322028-32	. CLIP-MAIN SPAR RH AFT LWR . . . . .	01
154	6322028-41	. RIB CAP-LH AFT UPR . . . . .	01
- 155	6322028-42	. RIB CAP-RH AFT UPR . . . . .	01
156	6322028-53	. RIB CAP-LH AFT LWR . . . . .	01
- 157	6322028-54	. RIB CAP-RH AFT LWR . . . . .	01
		ATTACHING PARTS	
158	HL10VBJ5-3	. PIN-HI-LOK . . . . . V73197	06
159	HL70-5	. COLLAR-HI-LOK . . . . . V73197	06
		—*—	
160	6322028-17	. STIFFENER-LH . . . . .	01
- 161	6322028-18	. STIFFENER-RH . . . . .	01
162	6322028-19	. STIFFENER-LH . . . . .	01
- 163	6322028-20	. STIFFENER-RH . . . . .	01
164	6322028-9	. STIFFENER-LH . . . . .	01
- 165	6322028-10	. STIFFENER-RH . . . . .	01
166	6322028-59	. WEB ASSY-LH . . . . .	01
- 167	6322028-60	. WEB ASSY-RH . . . . .	01
168	6322028-8	. STIFFENER-REAR SPAR FWD . . . . .	02
169	6322028-49	. STIFFENER-REAR SPAR LH AFT . . . . .	01
- 170	6322028-50	. STIFFENER-REAR SPAR RH AFT . . . . .	01
		ATTACHING PARTS	
171	NAS7038H08	. PIN . . . . .	04
172	NAS1080K08	. COLLAR . . . . .	04
		—*—	
173	6322028-33	. CLIP-REAR SPAR LH UPR . . . . .	01
- 174	6322028-34	. CLIP-REAR SPAR RH UPR . . . . .	01
175	6322028-21	. CLIP-REAR SPAR LH LWR . . . . .	01
- 176	6322028-22	. CLIP-REAR SPAR RH LWR . . . . .	01
		ATTACHING PARTS	
177	HL10VBJ5-3	. PIN-HI-LOK . . . . . V73197	05
178	HL70-5	. COLLAR-HI-LOK . . . . . V73197	05
		—*—	

- ITEM NOT ILLUSTRATED

CESSNA®  
**MODEL 525 (SERIALS -0685 AND -0800 AND ON)**  
 ILLUSTRATED PARTS CATALOG

A89198



CENTER WING RIB INSTALLATION - INBOARD  
 FIGURE 02 (SHEET 4)

6310T1036  
 AA6321T1017  
 A6321T1016

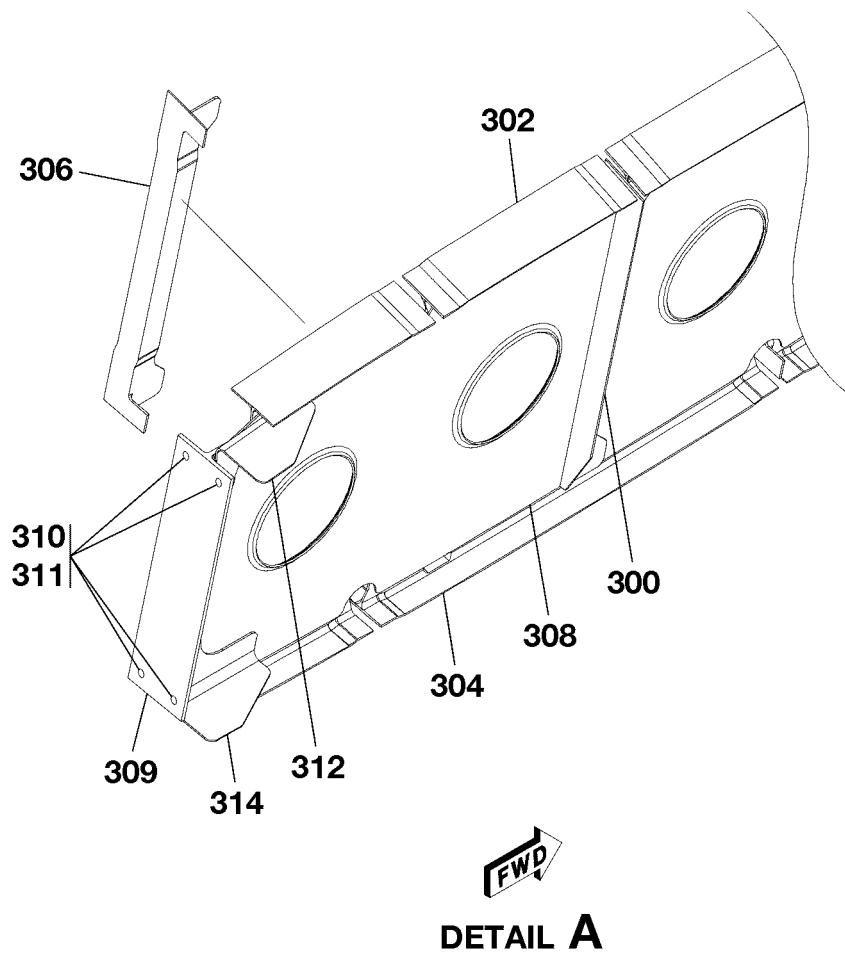
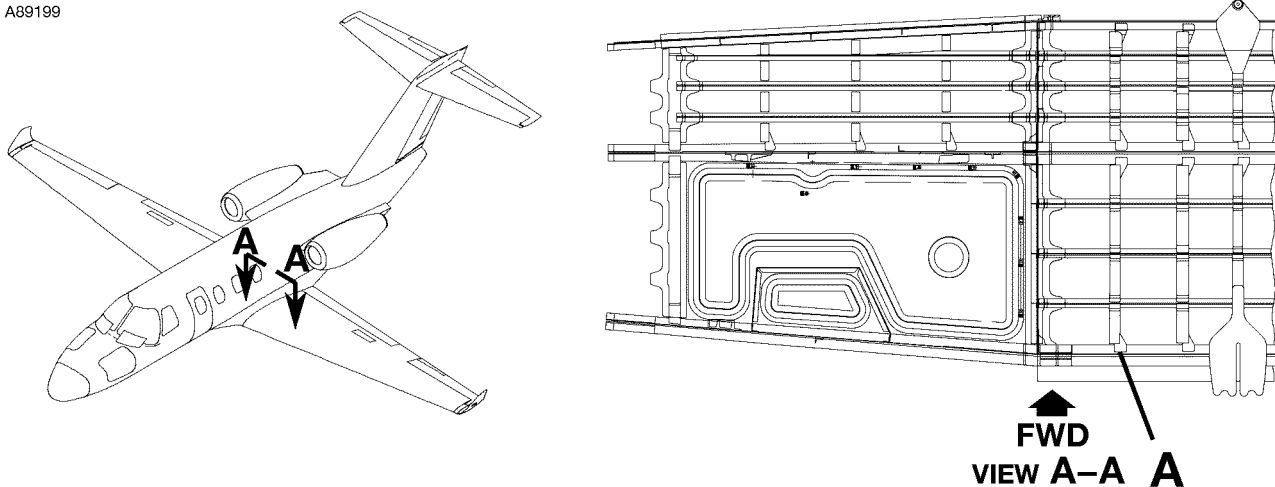
CESSNA®  
**MODEL 525 (SERIALS -0685 AND -0800 AND ON)**  
 ILLUSTRATED PARTS CATALOG

FIG ITEM	PART NUMBER	NOMENCLATURE	UNITS PER ASSY
	1 2 3 4 5 6 7		
02			
225	6322029-6	. TEE-FRONT SPAR . . . . .	02
		. ATTACHING PARTS	
226	HL10VBJ5-2	. PIN-HI-LOK . . . . . V73197	03
227	HL70-5	. COLLAR-HI-LOK . . . . . V73197	03
228	NAS7036H05	. PIN . . . . .	04
229	NAS1080K06	. COLLAR . . . . .	04
		—*—	
230	6322029-23	. GUSSET-LH FWD UPR . . . . .	01
- 231	6322029-24	. GUSSET-RH FWD UPR . . . . .	01
232	6322029-25	. GUSSET-LH FWD LWR . . . . .	01
- 233	6322029-26	. GUSSET-RH FWD LWR . . . . .	01
		. ATTACHING PARTS	
234	HL10VBJ5-3	. PIN-HI-LOK . . . . . V73197	04
235	HL10VBJ5-2	. PIN-HI-LOK . . . . . V73197	01
236	HL70-5	. COLLAR-HI-LOK . . . . . V73197	05
		—*—	
237	6322029-33	. STIFFENER-LH . . . . .	01
- 238	6322029-34	. STIFFENER-RH . . . . .	01
239	6322029-15	. RIB CAP-LH FWD UPR . . . . .	01
- 240	6322029-16	. RIB CAP-RH FWD UPR . . . . .	01
		. ATTACHING PARTS	
241	HL10VBJ5-2	. PIN-HI-LOK . . . . . V73197	02
242	HL10VBJ5-3	. PIN-HI-LOK . . . . . V73197	06
243	HL70-5	. COLLAR-HI-LOK . . . . . V73197	08
		—*—	
244	6322029-49	. RIB CAP-LH FWD LWR . . . . .	01
- 245	6322029-50	. RIB CAP-RH FWD LWR . . . . .	01
		. ATTACHING PARTS	
246	HL10VBJ5-2	. PIN-HI-LOK . . . . . V73197	02
247	HL10VBJ5-3	. PIN-HI-LOK . . . . . V73197	04
248	HL10VBJ5-4	. PIN-HI-LOK . . . . . V73197	02
249	HL70-5	. COLLAR-HI-LOK . . . . . V73197	08
		—*—	
250	6322029-35	. STIFFENER-LH . . . . .	01
- 251	6322029-36	. STIFFENER-RH . . . . .	01
252	6322029-4	. WEB-FWD . . . . .	02
253	6322029-45	. ATTACH CLIP-LH LWR . . . . .	01
- 254	6322029-46	. ATTACH CLIP-RH LWR . . . . .	01
255	6322029-37	. STIFFENER-LH . . . . .	01
- 256	6322029-38	. STIFFENER-RH . . . . .	01
257	6322029-9	. ANGLE-MAIN SPAR LH FWD . . . . .	01
- 258	6322029-10	. ANGLE-MAIN SPAR RH FWD . . . . .	01
259	6322029-22	. GUSSET-MAIN SPAR FWD UPR . . . . .	02
260	6322029-27	. GUSSET-MAIN SPAR LH FWD LWR . . . . .	01
- 261	6322029-28	. GUSSET-MAIN SPAR RH FWD LWR . . . . .	01
262	6322029-7	. STIFFENER-MAIN SPAR LH AFT . . . . .	01
- 263	6322029-8	. STIFFENER-MAIN SPAR RH AFT . . . . .	01
		. ATTACHING PARTS	
264	NAS7038-10	. PIN . . . . .	02
265	NAS7038-11	. PIN . . . . .	02
266	NAS1080K08	. COLLAR . . . . .	04
		—*—	
267	6322029-21	. GUSSET-MAIN SPAR AFT UPR . . . . .	02
268	6322029-29	. GUSSET-MAIN SPAR LH AFT LWR . . . . .	01
- 269	6322029-30	. GUSSET-MAIN SPAR RH AFT LWR . . . . .	01
270	6322029-39	. STIFFENER-LH . . . . .	01
- 271	6322029-40	. STIFFENER-RH . . . . .	01
272	6318015-55	. ANCHOR ASSY . . . . .	02
273	S4132-2	. ANCHOR . . . . .	02

- ITEM NOT ILLUSTRATED

CESSNA®  
MODEL 525 (SERIALS -0685 AND -0800 AND ON)  
ILLUSTRATED PARTS CATALOG

A89199



**DETAIL A**  
CENTER WING RIB INSTALLATION - INBOARD  
FIGURE 02 (SHEET 5)

6310T1036  
AA6321T1017  
A6321T1016

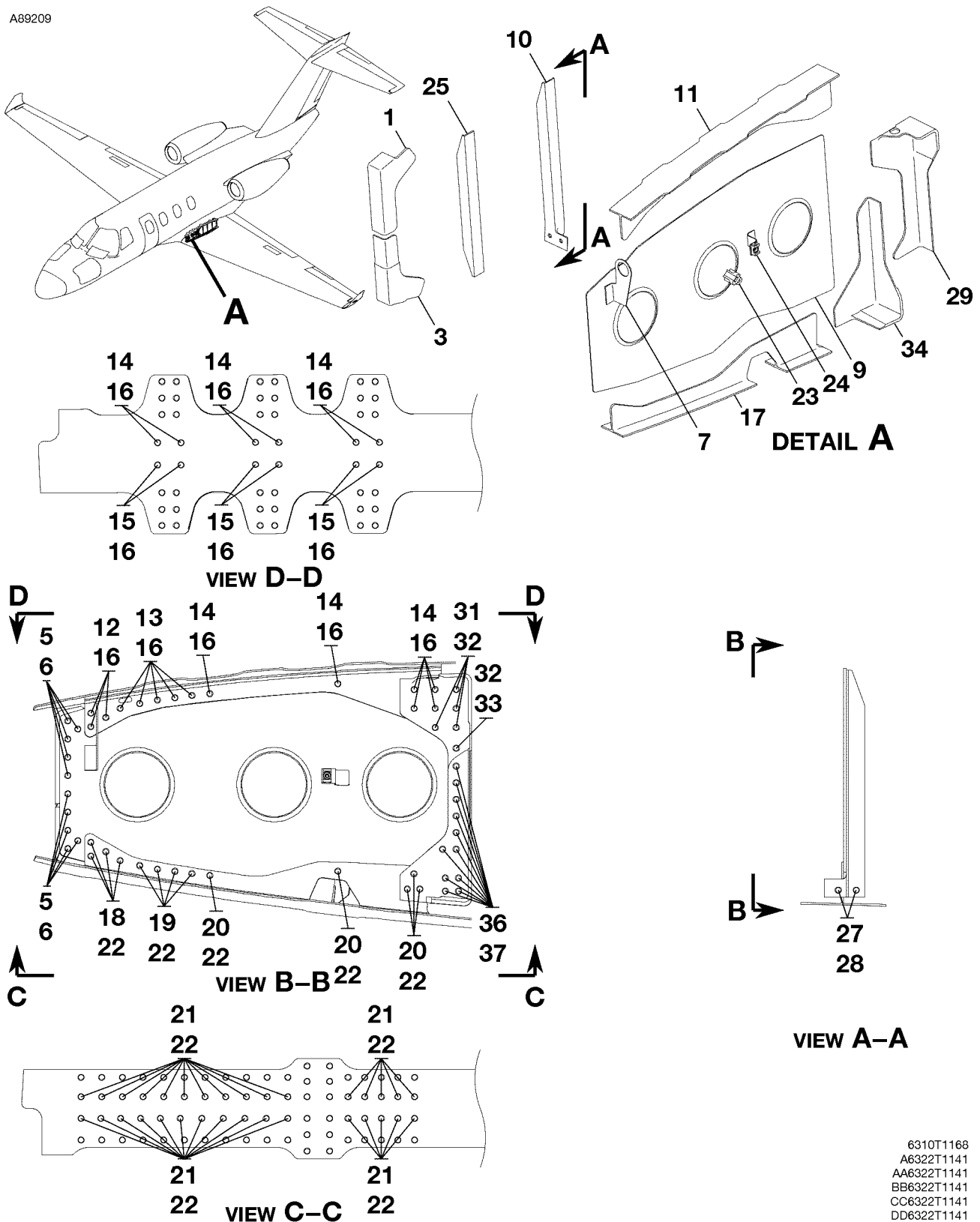
CESSNA®  
**MODEL 525 (SERIALS -0685 AND -0800 AND ON)**  
 ILLUSTRATED PARTS CATALOG

FIG ITEM	PART NUMBER	NOMENCLATURE	UNITS
			PER ASSY
02			
300	6322029-41	. STIFFENER-LH . . . . .	01
- 301	6322029-42	. STIFFENER-RH . . . . .	01
302	6322029-17	. RIB CAP-LH AFT UPR . . . . .	01
- 303	6322029-18	. RIB CAP-RH AFT UPR . . . . .	01
304	6322029-13	. RIB CAP-LH AFT LWR . . . . .	01
- 305	6322029-14	. RIB CAP-RH AFT LWR . . . . .	01
306	6322029-43	. STIFFENER-LH . . . . .	01
- 307	6322029-44	. STIFFENER-RH . . . . .	01
308	6322029-3	. WEB-AFT . . . . .	02
309	6322029-5	. TEE-REAR SPAR . . . . .	02
		ATTACHING PARTS	
310	NAS7038H08	. PIN . . . . .	04
311	NAS1080K08	. COLLAR . . . . .	04
		—*—	
312	6322029-19	. GUSSET-LH AFT UPR . . . . .	01
- 313	6322029-20	. GUSSET-RH AFT UPR . . . . .	01
314	6322029-31	. GUSSET-LH AFT LWR . . . . .	01
- 315	6322029-32	. GUSSET-RH AFT LWR . . . . .	01

- ITEM NOT ILLUSTRATED

CESSNA®  
**MODEL 525 (SERIALS -0685 AND -0800 AND ON)**  
 ILLUSTRATED PARTS CATALOG

A89209



CENTER WING RIB INSTALLATION - OUTBOARD  
 FIGURE 03 (SHEET 1)

6310T1168  
 A6322T1141  
 AA6322T1141  
 BB6322T1141  
 CC6322T1141  
 DD6322T1141



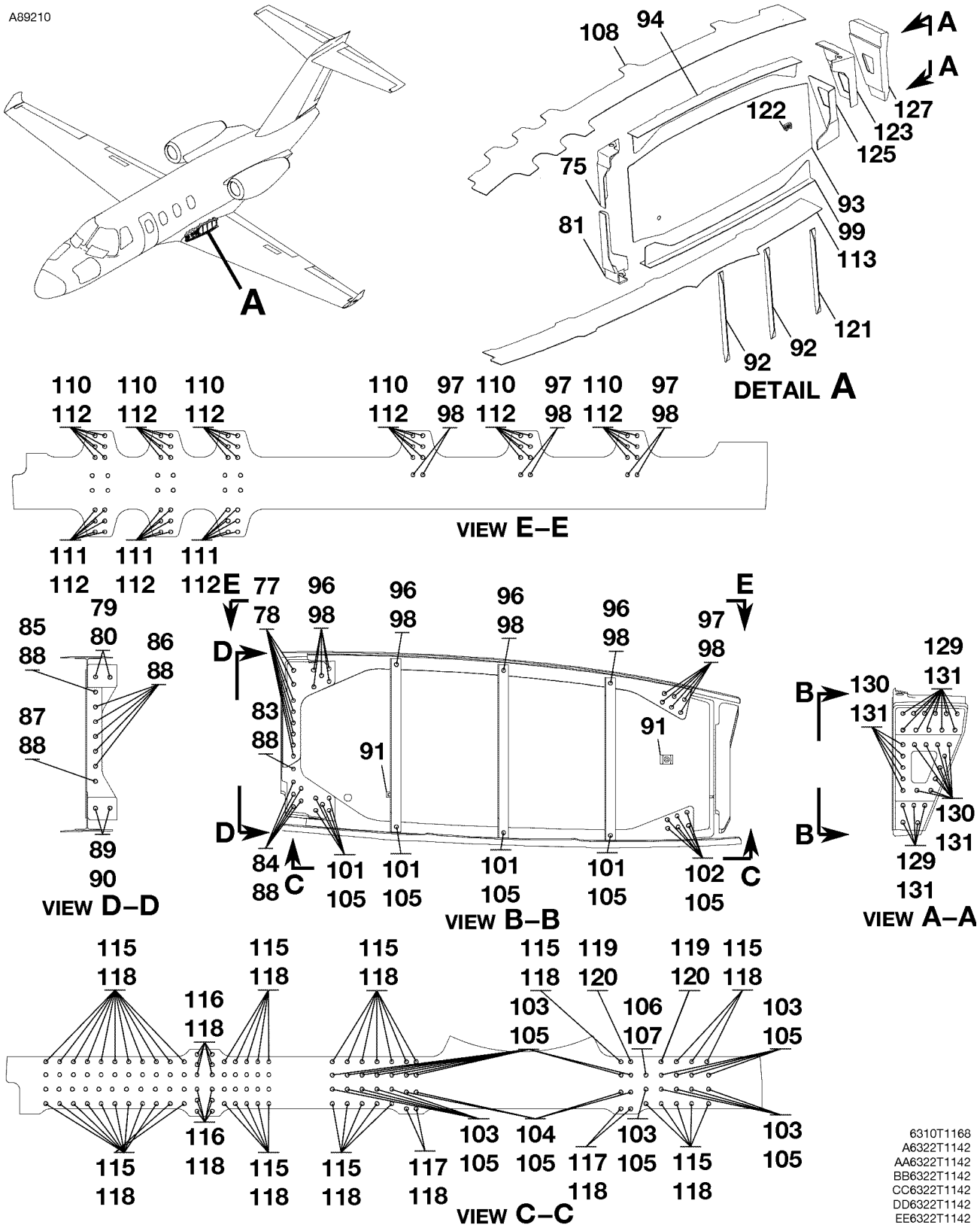
CESSNA®  
**MODEL 525 (SERIALS -0685 AND -0800 AND ON)**  
 ILLUSTRATED PARTS CATALOG

FIG ITEM	PART NUMBER	NOMENCLATURE	UNITS
			PER ASSY
		1 2 3 4 5 6 7	
03		CENTER WING RIB INSTALLATION - OUTBOARD	RF
- 1	6322030-3	. SUPPORT-FRONT SPAR LH UPR . . . . .	01
- 2	6322030-4	. SUPPORT-FRONT SPAR RH UPR . . . . .	01
- 3	6322030-7	. SUPPORT-FRONT SPAR LH LWR . . . . .	01
- 4	6322030-8	. SUPPORT-FRONT SPAR RH LWR . . . . .	01
		ATTACHING PARTS	
5	HL10VBJ5-5	. PIN-HI-LOK . . . . . V73197	05
6	HL70-5	. COLLAR-HI-LOK . . . . . V73197	05
		—*—	
7	6326102-4	. BRACKET-LH . . . . .	01
- 8	6326102-3	. BRACKET-RH . . . . .	01
9	6322030-5	. WEB BOND ASSY-FWD . . . . .	02
10	6322030-10	. STIFFENER . . . . .	02
11	6322030-13	. RIB CAP-FWD UPR . . . . .	02
		ATTACHING PARTS	
12	HL10VBJ5-7	. PIN-HI-LOK . . . . . V73197	03
13	HL10VBJ5-4	. PIN-HI-LOK . . . . . V73197	05
14	HL10VBJ5-5	. PIN-HI-LOK . . . . . V73197	12
15	HL11VBJ5-5	. PIN-HI-LOK . . . . . V73197	06
16	HL70-5	. COLLAR-HI-LOK . . . . . V73197	26
		—*—	
17	6322030-48	. RIB CAP-FWD LWR . . . . .	02
		ATTACHING PARTS	
18	HL10VBJ5-7	. PIN-HI-LOK . . . . . V73197	03
19	HL10VBJ5-4	. PIN-HI-LOK . . . . . V73197	05
20	HL10VBJ5-5	. PIN-HI-LOK . . . . . V73197	05
21	HL11VBJ5-4	. PIN-HI-LOK . . . . . V73197	32
22	HL70-5	. COLLAR-HI-LOK . . . . . V73197	45
		—*—	
23	S4132-2	. ANCHOR . . . . .	02
24	6318015-55	. ANCHOR ASSY . . . . .	02
25	6322030-41	. STIFFENER-LH . . . . .	01
- 26	6322030-42	. STIFFENER-RH . . . . .	01
		ATTACHING PARTS	
27	HL10VBJ5-4	. PIN-HI-LOK . . . . . V73197	02
28	HL70-5	. COLLAR-HI-LOK . . . . . V73197	02
		—*—	
29	6322030-11	. SUPPORT-MAIN SPAR LH FWD UPR . . . . .	01
- 30	6322030-12	. SUPPORT-MAIN SPAR RH FWD UPR . . . . .	01
		ATTACHING PARTS	
31	HL10VBJ5-5	. PIN-HI-LOK . . . . . V73197	04
32	HL10VBJ5-4	. PIN-HI-LOK . . . . . V73197	01
33	HL70-5	. COLLAR-HI-LOK . . . . . V73197	05
		—*—	
34	6322030-15	. SUPPORT-MAIN SPAR LH FWD LWR . . . . .	01
- 35	6322030-16	. SUPPORT-MAIN SPAR RH FWD LWR . . . . .	01
		ATTACHING PARTS	
36	HL10VBJ5-5	. PIN-HI-LOK . . . . . V73197	11
37	HL70-5	. COLLAR-HI-LOK . . . . . V73197	11
		—*—	

- ITEM NOT ILLUSTRATED

CESSNA®  
**MODEL 525 (SERIALS -0685 AND -0800 AND ON)**  
 ILLUSTRATED PARTS CATALOG

A89210



CENTER WING RIB INSTALLATION - OUTBOARD  
 FIGURE 03 (SHEET 2)

6310T1168  
 A6322T1142  
 AA6322T1142  
 BB6322T1142  
 CC6322T1142  
 DD6322T1142  
 EE6322T1142

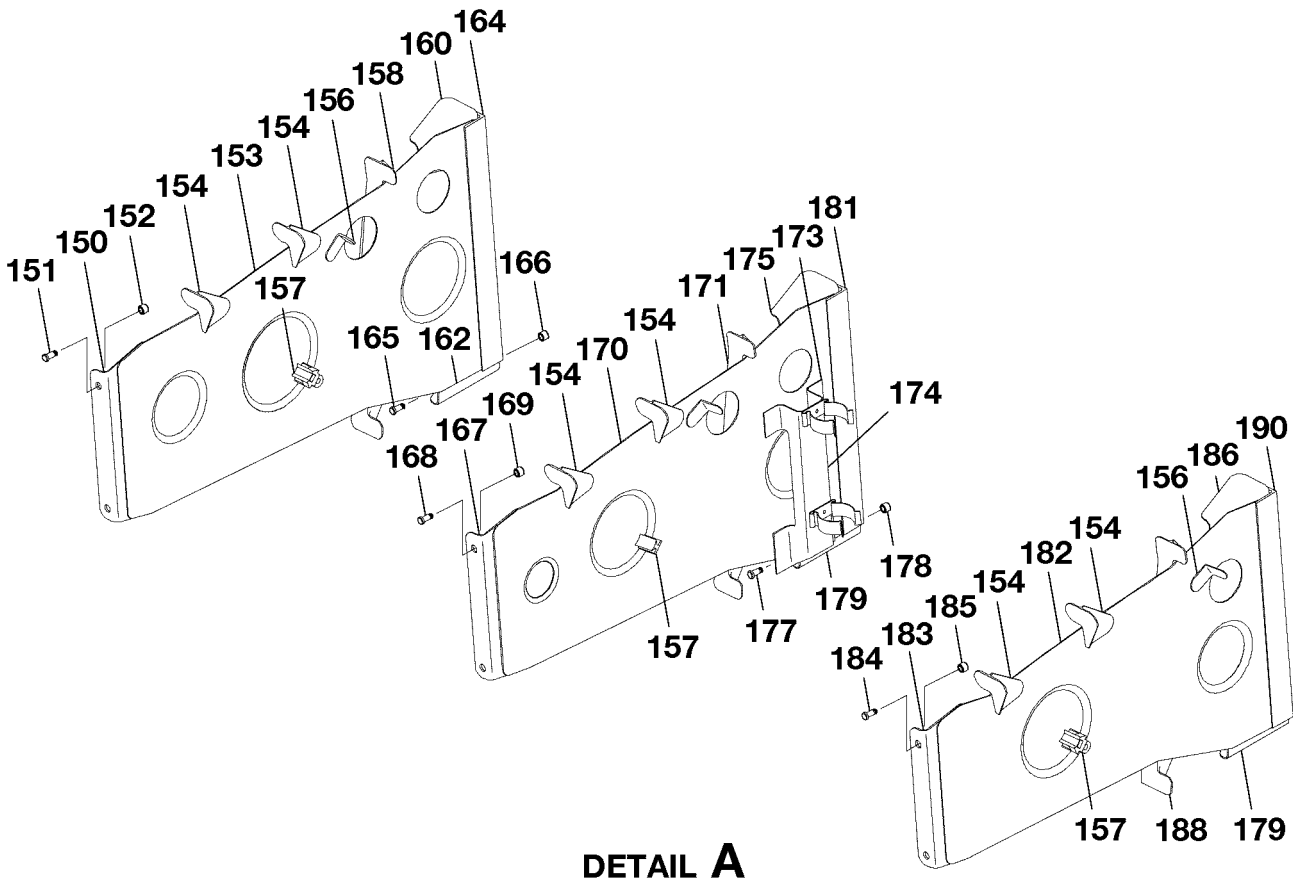
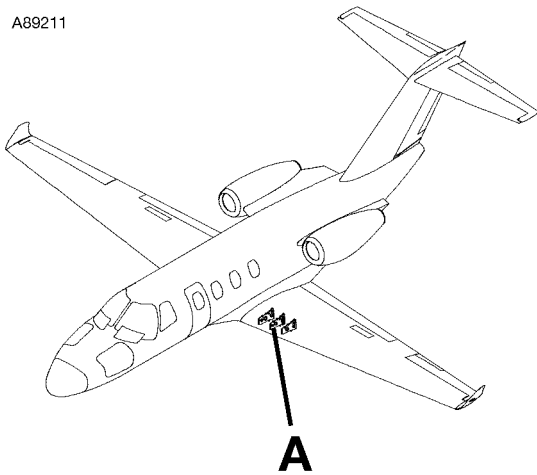
CESSNA®  
**MODEL 525 (SERIALS -0685 AND -0800 AND ON)**  
 ILLUSTRATED PARTS CATALOG

FIG ITEM	PART NUMBER	NOMENCLATURE	UNITS PER ASSY
03			
75	6322030-19	. SUPPORT-MAIN SPAR LH AFT UPR . . . . .	01
- 76	6322030-20	. SUPPORT-MAIN SPAR RH AFT UPR . . . . .	01
		ATTACHING PARTS	
77	HL10VBJ5-4	. PIN-HI-LOK . . . . . V73197	08
78	HL70-5	. COLLAR-HI-LOK . . . . . V73197	08
79	HL18PB-8-13	. PIN-HI-LOK . . . . . V73197	02
80	HL70-8	. COLLAR-HI-LOK . . . . . V73197	02
		—*—	
81	6322030-23	. SUPPORT-MAIN SPAR LH AFT LWR . . . . .	01
- 82	6322030-24	. SUPPORT-MAIN SPAR RH AFT LWR . . . . .	01
		ATTACHING PARTS	
83	HL10VBJ5-3	. PIN-HI-LOK . . . . . V73197	01
84	HL10VBJ5-4	. PIN-HI-LOK . . . . . V73197	05
85	HL18PB-5-13	. PIN-HI-LOK . . . . . V73197	01
86	HL18PB-5-8	. PIN-HI-LOK . . . . . V73197	05
87	HL18PB-5-7	. PIN-HI-LOK . . . . . V73197	01
88	HL70-5	. COLLAR-HI-LOK . . . . . V73197	13
89	HL18PB-8-13	. PIN-HI-LOK . . . . . V73197	02
90	HL70-8	. COLLAR-HI-LOK . . . . . V73197	02
		—*—	
91	S1741-1	. ANCHOR . . . . .	02
92	6322030-37	. STIFFENER . . . . .	04
93	6322030-47	. WEB-AFT . . . . .	02
94	6322030-17	. RIB CAP-LH AFT UPR . . . . .	01
- 95	6322030-38	. RIB CAP-RH AFT UPR . . . . .	01
		ATTACHING PARTS	
96	HL10VBJ5-4	. PIN-HI-LOK . . . . . V73197	08
97	HL10VBJ5-5	. PIN-HI-LOK . . . . . V73197	12
98	HL70-5	. COLLAR-HI-LOK . . . . . V73197	20
		—*—	
99	6322030-18	. RIB CAP-LH AFT LWR . . . . .	01
- 100	6322030-39	. RIB CAP-RH AFT LWR . . . . .	01
		ATTACHING PARTS	
101	HL10VBJ5-4	. PIN-HI-LOK . . . . . V73197	08
102	HL10VBJ5-5	. PIN-HI-LOK . . . . . V73197	06
103	HL11VBJ5-4	. PIN-HI-LOK . . . . . V73197	23
104	HL11VBJ5-5	. PIN-HI-LOK . . . . . V73197	04
105	HL70-5	. COLLAR-HI-LOK . . . . . V73197	40
106	HL11VBJ6-4	. PIN-HI-LOK . . . . . V73197	01
107	HL70-6	. COLLAR-HI-LOK . . . . . V73197	01
		—*—	
108	6322030-21	. DOUBLER-LH UPR . . . . .	01
- 109	6322030-22	. DOUBLER-RH UPR . . . . .	01
		ATTACHING PARTS	
110	HL10VBJ5-4	. PIN-HI-LOK . . . . . V73197	36
111	HL11VBJ5-4	. PIN-HI-LOK . . . . . V73197	18
112	HL70-5	. COLLAR-HI-LOK . . . . . V73197	54
		—*—	
113	6322030-51	. DOUBLER-LH LWR . . . . .	01
- 114	6322030-52	. DOUBLER-RH LWR . . . . .	01
		ATTACHING PARTS	
115	HL11VBJ5-3	. PIN-HI-LOK . . . . . V73197	53
116	HL11VBJ5-5	. PIN-HI-LOK . . . . . V73197	12
117	HL11VBJ5-4	. PIN-HI-LOK . . . . . V73197	04
118	HL70-5	. COLLAR-HI-LOK . . . . . V73197	69
119	HL11VBJ6-3	. PIN-HI-LOK . . . . . V73197	02
120	HL70-6	. COLLAR-HI-LOK . . . . . V73197	02
		—*—	
121	6322030-33	. STIFFENER . . . . .	02
122	S1741-5	. ANCHOR . . . . .	02
123	6322030-27	. SUPPORT-REAR SPAR LH AFT UPR . . . . .	01
- 124	6322030-28	. SUPPORT-REAR SPAR RH AFT UPR . . . . .	01
125	6322030-31	. SUPPORT-REAR SPAR LH AFT LWR . . . . .	01
- 126	6322030-32	. SUPPORT-REAR SPAR RH AFT LWR . . . . .	01
127	6322030-29	. SUPPORT-LH AFT . . . . .	01
- 128	6322030-30	. SUPPORT-RH AFT . . . . .	01
		ATTACHING PARTS	
129	HL18PB-5-11	. PIN-HI-LOK . . . . . V73197	16
130	HL18PB-5-6	. PIN-HI-LOK . . . . . V73197	14
131	HL70-5	. COLLAR-HI-LOK . . . . . V73197	30
		—*—	

- ITEM NOT ILLUSTRATED

CESSNA®  
MODEL 525 (SERIALS -0685 AND -0800 AND ON)  
ILLUSTRATED PARTS CATALOG

A89211



**DETAIL A**

CENTER WING RIB INSTALLATION - OUTBOARD  
FIGURE 03 (SHEET 3)

6310T1168  
A6322T1143

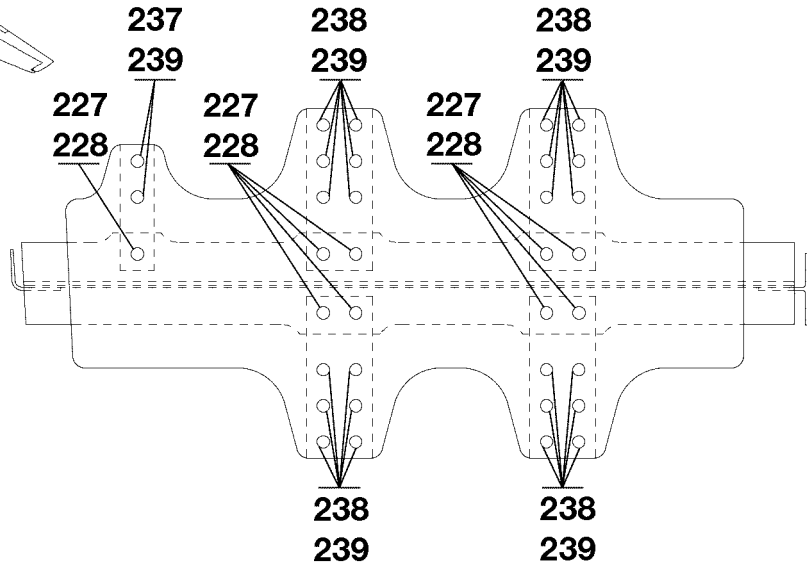
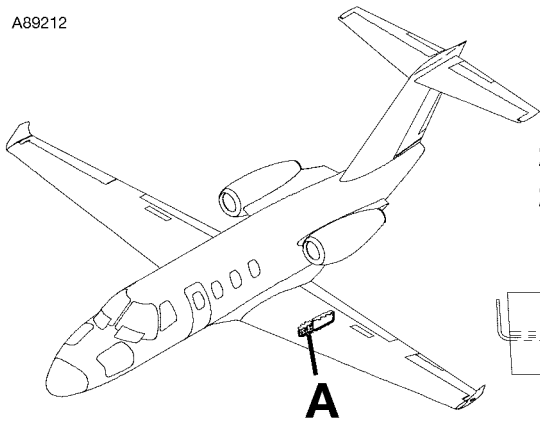
CESSNA®  
**MODEL 525 (SERIALS -0685 AND -0800 AND ON)**  
 ILLUSTRATED PARTS CATALOG

FIG ITEM	PART NUMBER	NOMENCLATURE	UNITS
			PER ASSY
		1 2 3 4 5 6 7	
03			
150	6322031-4	. CLIP-FRONT SPAR UPR . . . . .	02
		. ATTACHING PARTS	
151	HL18PB5-4	. PIN-HI-LOK . . . . . V73197	02
152	HL70-5	. COLLAR-HI-LOK . . . . . V73197	02
		—*—	
153	6322031-3	. WEB . . . . .	02
154	6322300-2	. STRINGER CLIP-LH . . . . .	04
- 155	6322300-1	. STRINGER CLIP-RH . . . . .	04
156	AN743-13	. BRACKET . . . . .	06
157	S4132-2	. ANCHOR . . . . .	06
158	6322031-5	. STIFFENER-LH . . . . .	01
- 159	6322031-6	. STIFFENER-RH . . . . .	01
160	6322031-7	. ATTACH CLIP-MAIN SPAR LH UPR . . . . .	01
- 161	6322031-8	. ATTACH CLIP-MAIN SPAR RH UPR . . . . .	01
162	6322031-9	. ATTACH CLIP-MAIN SPAR LH LWR . . . . .	01
- 163	6322031-10	. ATTACH CLIP-MAIN SPAR RH LWR . . . . .	01
164	6322031-14	. ATTACH CLIP-MAIN SPAR . . . . .	02
		. ATTACHING PARTS	
165	NAS7035-06	. PIN . . . . .	01
166	NAS1080K05	. COLLAR . . . . .	01
		—*—	
167	6322032-4	. CLIP-FRONT SPAR . . . . .	02
		. ATTACHING PARTS	
168	HL18PB5-4	. PIN-HI-LOK . . . . . V73197	02
169	HL70-5	. COLLAR-HI-LOK . . . . . V73197	02
		—*—	
170	6322032-3	. WEB . . . . .	02
171	6322032-5	. STIFFENER-LH . . . . .	01
- 172	6322032-6	. STIFFENER-RH . . . . .	01
173	6326251-33	. BRACKET ASSY . . . . .	02
174	6326251-4	. BRACKET ASSY . . . . .	02
175	6322031-7	. ATTACH CLIP-MAIN SPAR LH UPR . . . . .	01
- 176	6322031-8	. ATTACH CLIP-MAIN SPAR RH UPR . . . . .	01
		. ATTACHING PARTS	
177	NAS7035H07	. PIN . . . . .	02
178	NAS1080K05	. COLLAR . . . . .	02
		—*—	
179	6322031-9	. ATTACH CLIP-MAIN SPAR LH LWR . . . . .	02
- 180	6322031-10	. ATTACH CLIP-MAIN SPAR RH LWR . . . . .	02
181	6322032-10	. ATTACH CLIP-MAIN SPAR . . . . .	02
182	6322033-3	. WEB . . . . .	02
183	6322033-4	. CLIP-FWD . . . . .	02
		. ATTACHING PARTS	
184	HL18PB5-4	. PIN-HI-LOK . . . . . V73197	02
185	HL70-5	. COLLAR-HI-LOK . . . . . V73197	02
		—*—	
186	6322031-7	. CLIP-LH UPR . . . . .	01
- 187	6322031-8	. CLIP-RH UPR . . . . .	01
188	6322033-5	. STIFFENER-LH . . . . .	01
- 189	6322033-6	. STIFFENER-RH . . . . .	01
190	6322033-10	. CLIP-AFT . . . . .	02

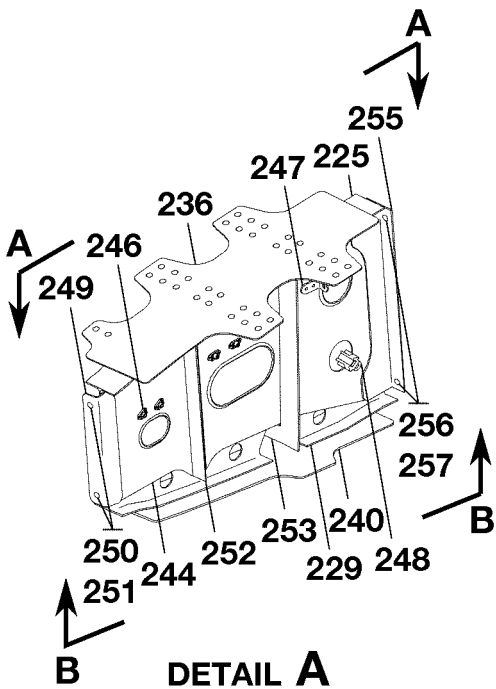
- ITEM NOT ILLUSTRATED

CESSNA®  
**MODEL 525 (SERIALS -0685 AND -0800 AND ON)**  
 ILLUSTRATED PARTS CATALOG

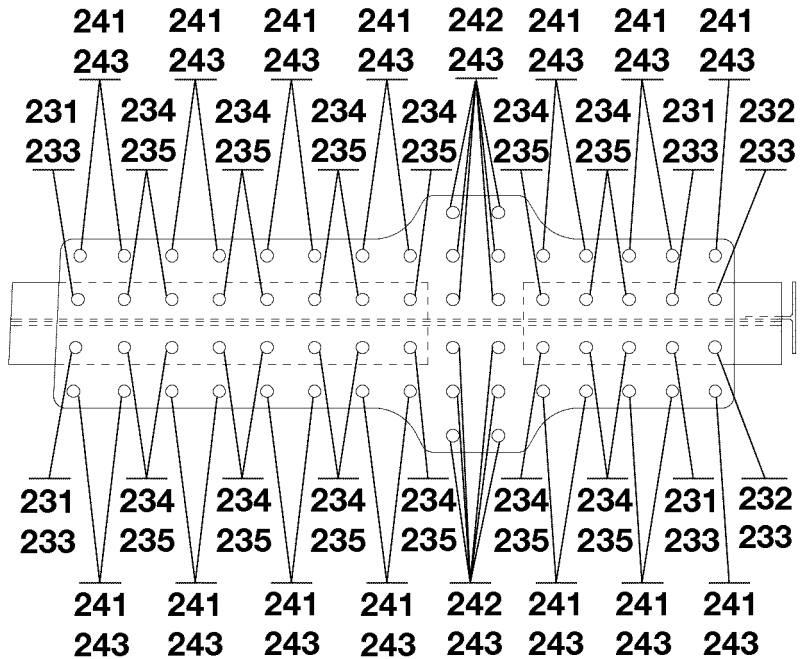
A89212



**VIEW A-A**



**DETAIL A**



**VIEW B-B**

**CENTER WING RIB INSTALLATION - OUTBOARD**  
 FIGURE 03 (SHEET 4)

6310T1001A  
 A6322T1117  
 AA6322T1117  
 BB6322T1117

CESSNA®  
**MODEL 525 (SERIALS -0685 AND -0800 AND ON)**  
 ILLUSTRATED PARTS CATALOG

FIG ITEM	PART NUMBER	NOMENCLATURE	UNITS
			PER ASSY
		1 2 3 4 5 6 7	
03			
225	6321411-1	. RIB CAP-LH UPR FWD . . . . .	01
- 226	6321411-2	. RIB CAP-RH UPR FWD . . . . .	01
		ATTACHING PARTS	
227	HL11VBJ5-5	. PIN-HI-LOK . . . . . V73197	09
228	HL70-5	. COLLAR-HI-LOK . . . . . V73197	09
		—*—	
229	6321411-3	. RIB CAP-LH LWR FWD . . . . .	01
- 230	6321411-4	. RIB CAP-RH LWR FWD . . . . .	01
		ATTACHING PARTS	
231	HL11VBJ5-5	. PIN-HI-LOK . . . . . V73197	04
232	HL11VBJ5-7	. PIN-HI-LOK . . . . . V73197	02
233	HL75DU5ADW	. COLLAR-HI-LOK . . . . . V73197	06
234	HL11VBJ5-4	. PIN-HI-LOK . . . . . V73197	20
235	HL70-5	. COLLAR-HI-LOK . . . . . V73197	20
		—*—	
236	6322035-10	. DOUBLER-UPR FWD . . . . .	02
		ATTACHING PARTS	
237	HL11VBJ5-5	. PIN-HI-LOK . . . . . V73197	02
238	HL11VBJ5-4	. PIN-HI-LOK . . . . . V73197	24
239	HL70-5	. COLLAR-HI-LOK . . . . . V73197	26
		—*—	
240	6322035-28	. DOUBLER-LWR FWD . . . . .	02
		ATTACHING PARTS	
241	HL11VBJ5-3	. PIN-HI-LOK . . . . . V73197	26
242	HL11VBJ5-5	. PIN-HI-LOK . . . . . V73197	12
243	HL70-5	. COLLAR-HI-LOK . . . . . V73197	38
		—*—	
244	6322035-29	. WEB ASSY-LH FWD . . . . .	01
- 245	6322035-30	. WEB ASSY-RH FWD . . . . .	01
246	MS21059L3	. . NUTPLATE . . . . .	05
247	AN743-13	. . BRACKET . . . . .	01
248	S4132-2	. . ANCHOR . . . . .	01
249	6322035-3	. STIFFENER . . . . .	02
		ATTACHING PARTS	
250	HL10VBJ5-4	. PIN-HI-LOK . . . . . V73197	02
251	HL70-5	. COLLAR-HI-LOK . . . . . V73197	02
		—*—	
252	6322035-4	. STIFFENER . . . . .	02
253	6322035-5	. STIFFENER-LH . . . . .	01
- 254	6322035-6	. STIFFENER-RH . . . . .	01
255	6322035-8	. STIFFENER . . . . .	02
		ATTACHING PARTS	
256	NAS7035-06	. PIN . . . . .	04
257	NAS1080AG05	. COLLAR . . . . .	04
		—*—	

- ITEM NOT ILLUSTRATED





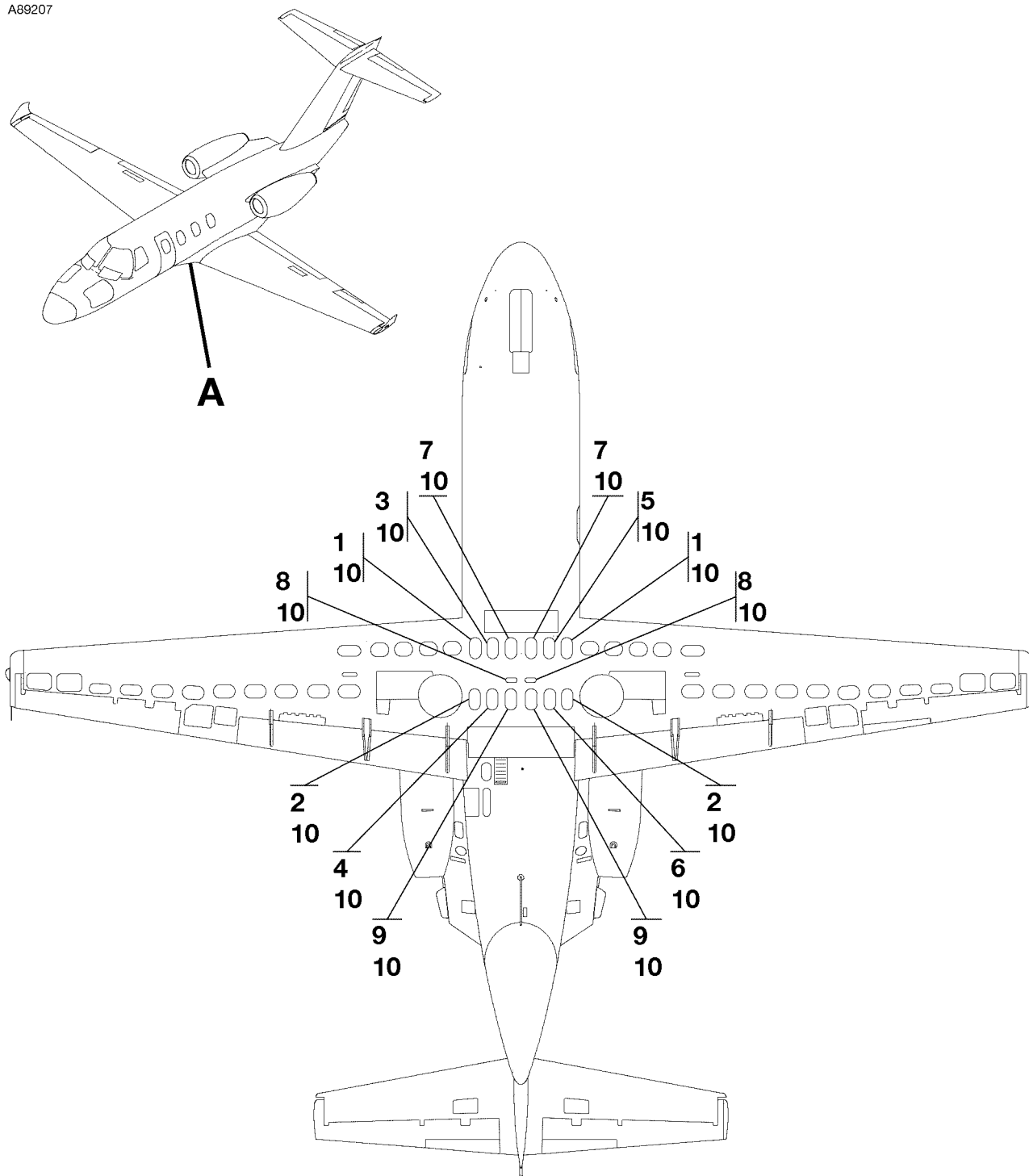
CESSNA®  
**MODEL 525 (SERIALS -0685 AND -0800 AND ON)**  
 ILLUSTRATED PARTS CATALOG

FIG ITEM	PART NUMBER	NOMENCLATURE	UNITS
			PER ASSY
		1 2 3 4 5 6 7	
03			
300	6321411-13	. RIB CAP-LH UPR AFT . . . . .	01
- 301	6321411-14	. RIB CAP-RH UPR AFT . . . . .	01
		ATTACHING PARTS	
302	HL11VBJ5-5	. PIN-HI-LOK . . . . . V73197	06
303	HL70-5	. COLLAR-HI-LOK . . . . . V73197	06
		—*—	
304	6321411-15	. RIB CAP-LH LWR AFT . . . . .	01
- 305	6321411-16	. RIB CAP-RH LWR AFT . . . . .	01
		ATTACHING PARTS	
306	HL11VBJ5-7	. PIN-HI-LOK . . . . . V73197	02
307	HL10VBJ5-7	. PIN-HI-LOK . . . . . V73197	02
308	HL11VBJ5-5	. PIN-HI-LOK . . . . . V73197	04
309	HL75DU5ADW	. COLLAR-HI-LOK . . . . . V73197	08
310	HL11VBJ5-5	. PIN-HI-LOK . . . . . V73197	04
311	HL11VBJ5-4	. PIN-HI-LOK . . . . . V73197	18
312	HL70-5	. COLLAR-HI-LOK . . . . . V73197	22
		—*—	
313	6322035-27	. DOUBLER-UPR AFT . . . . .	02
		ATTACHING PARTS	
314	HL11VBJ5-4	. PIN-HI-LOK . . . . . V73197	18
315	HL70-5	. COLLAR-HI-LOK . . . . . V73197	18
		—*—	
316	6322035-31	. DOUBLER-LWR AFT . . . . .	02
		ATTACHING PARTS	
317	HL11VBJ5-3	. PIN-HI-LOK . . . . . V73197	26
318	HL11VBJ5-4	. PIN-HI-LOK . . . . . V73197	08
319	HL70-5	. COLLAR-HI-LOK . . . . . V73197	34
		—*—	
320	6322035-20	. WEB . . . . .	02
321	6322035-9	. STIFFENER . . . . .	02
322	6322035-7	. STIFFENER . . . . .	04
323	6322035-13	. STIFFENER . . . . .	02
324	6322035-11	. STIFFENER-LH AFT . . . . .	01
- 325	6322035-12	. STIFFENER-RH AFT . . . . .	01
		ATTACHING PARTS	
326	HL10VBJ6-4	. PIN-HI-LOK . . . . . V73197	02
327	HL70-6	. COLLAR-HI-LOK . . . . . V73197	02
328	HL10VBJ5-3	. PIN-HI-LOK . . . . . V73197	06
329	HL70-5	. COLLAR-HI-LOK . . . . . V73197	06
330	NAS7035-02	. PIN . . . . .	02
331	NAS1080AG05	. COLLAR . . . . .	02
332	NAS7036-05	. PIN . . . . .	02
333	NAS1080AG06	. COLLAR . . . . .	02
		—*—	

- ITEM NOT ILLUSTRATED

CESSNA®  
MODEL 525 (SERIALS -0685 AND -0800 AND ON)  
ILLUSTRATED PARTS CATALOG

A89207



**DETAIL A**  
Bottom View

ACCESS PANELS - CENTER WING  
FIGURE 01 (SHEET 1)

6310T1168  
A6310T1014A

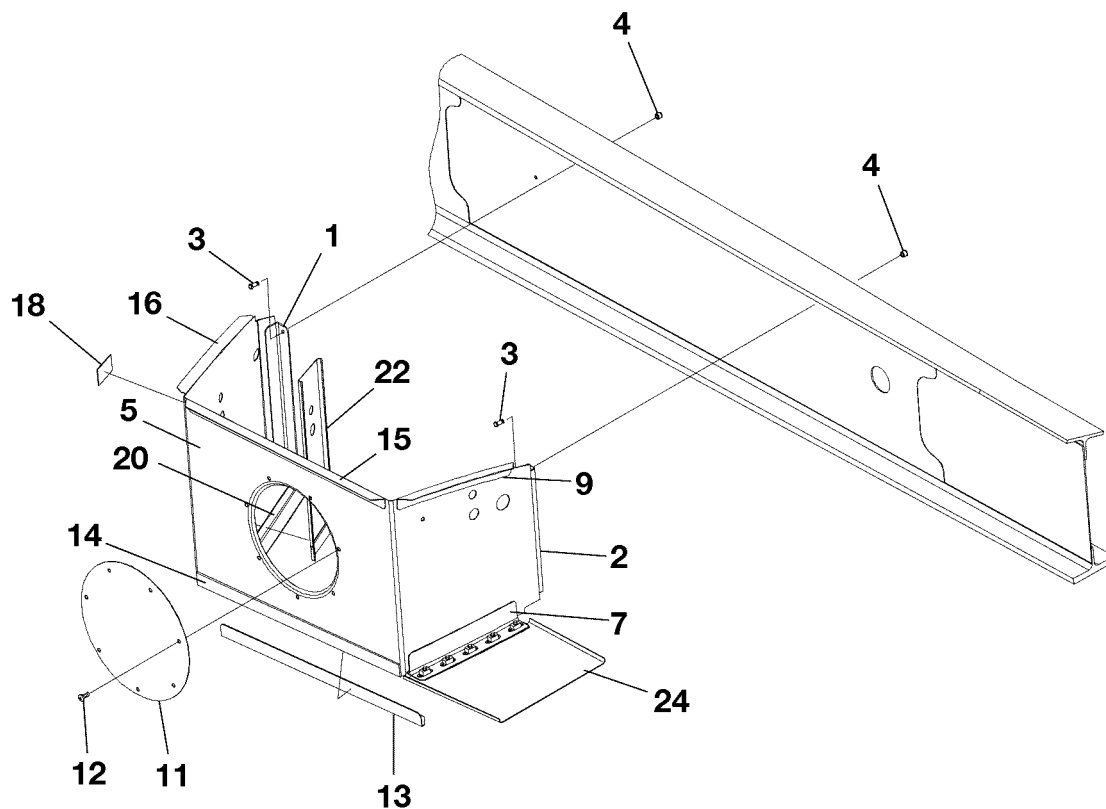
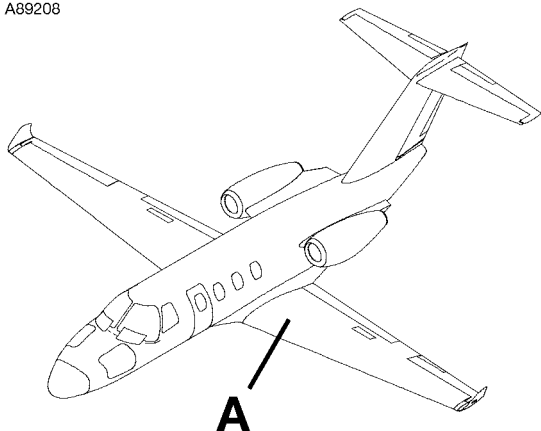
CESSNA®  
**MODEL 525 (SERIALS -0685 AND -0800 AND ON)**  
 ILLUSTRATED PARTS CATALOG

FIG ITEM	PART NUMBER	NOMENCLATURE	UNITS
			PER ASSY
01			
-		ACCESS PANELS - CENTER WING	RF
1	9912406-47	. ACCESS PANEL ASSY . . . . .	02
2	9912406-48	. ACCESS PANEL ASSY . . . . .	02
3	9912406-49	. ACCESS PANEL ASSY-LH . . . . .	01
4	9912406-51	. ACCESS PANEL ASSY-LH . . . . .	01
5	9912406-50	. ACCESS PANEL ASSY-RH . . . . .	01
6	9912406-52	. ACCESS PANEL ASSY-RH . . . . .	01
7	9912406-53	. ACCESS PANEL ASSY . . . . .	02
8	9912406-54	. ACCESS PANEL ASSY . . . . .	02
9	9912406-56	. ACCESS PANEL ASSY . . . . .	02
		ATTACHING PARTS	
10	S3322S10-15	. SCREW . . . . .	AR
		* —*—	

- ITEM NOT ILLUSTRATED

CESSNA®  
MODEL 525 (SERIALS -0685 AND -0800 AND ON)  
ILLUSTRATED PARTS CATALOG

A89208



**DETAIL A**

WHEELWELL STRUCTURE INSTALLATION  
FIGURE 02 (SHEET 1)

6310T1168  
A6322A1137

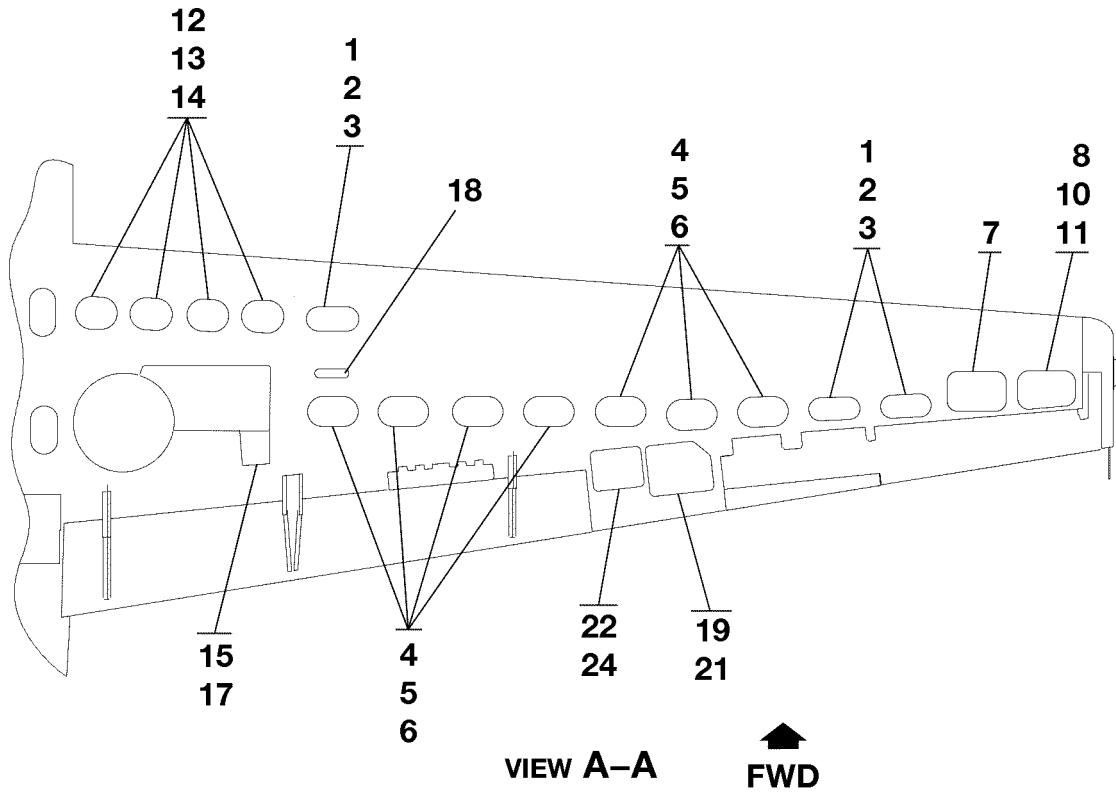
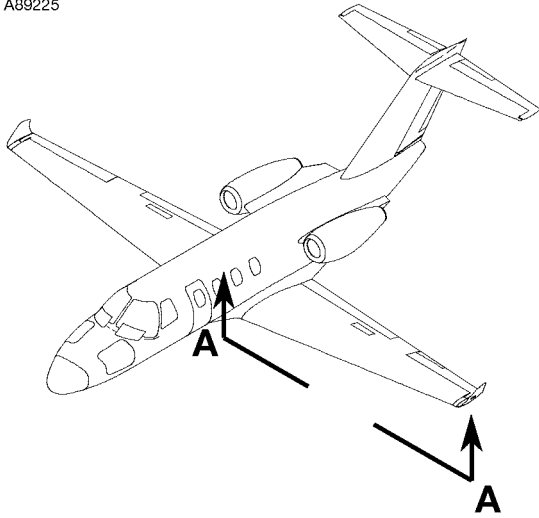
CESSNA®  
**MODEL 525 (SERIALS -0685 AND -0800 AND ON)**  
 ILLUSTRATED PARTS CATALOG

FIG ITEM	PART NUMBER	NOMENCLATURE	UNITS
			PER ASSY
02		WHEELWELL STRUCTURE INSTALLATION	RF
-			
1	6322055-15	. ANGLE . . . . .	02
2	6322055-16	. ANGLE . . . . .	02
		ATTACHING PARTS	
3	NAS7036-06	. PIN . . . . .	02
4	NAS1080K06	. COLLAR . . . . .	02
		—*—	
5	6322055-43	. PANEL ASSY-LH . . . . .	01
- 6	6322055-42	. PANEL ASSY-RH . . . . .	01
7	6322055-39	. TEE ASSY-LH . . . . .	01
- 8	6322055-40	. TEE ASSY-RH . . . . .	01
9	6322055-33	. CLIP-LH OUTBD . . . . .	01
- 10	6322055-34	. CLIP-RH OUTBD . . . . .	01
11	6322055-38	. PANEL ACCESS DOOR . . . . .	02
		ATTACHING PARTS	
12	MS27039-1-07	. SCREW . . . . .	07
		—*—	
13	6322055-37	. ANGLE . . . . .	02
14	6322055-21	. RUB STRIP . . . . .	02
15	6322055-22	. CLIP-FWD . . . . .	02
16	6322055-31	. CLIP-LH INBD . . . . .	01
- 17	6322055-32	. CLIP-RH INBD . . . . .	01
18	MS27253-1	. PLATE IDENTIFICATION-LH FSO S2674-3 . . . . .	NP
- 19	S2674-3	. PLATE IDENTIFICATION-FOR SPARES ONLY . . . . .	01
20	6322055-35	. ANGLE-LH INBD . . . . .	01
- 21	6322055-36	. ANGLE-RH INBD . . . . .	01
22	6322055-29	. DOUBLER-LH . . . . .	01
- 23	6322055-30	. DOUBLER-RH . . . . .	01
24		. ACCESS PANEL-REFER TO 57-20-01 FIGURE 01 . . . . .	RF

- ITEM NOT ILLUSTRATED

CESSNA®  
**MODEL 525 (SERIALS -0685 AND -0800 AND ON)**  
 ILLUSTRATED PARTS CATALOG

A89225



6310T1168  
 AA6310T1014A

ACCESS PANELS - OUTBOARD WING  
 FIGURE 01 (SHEET 1)

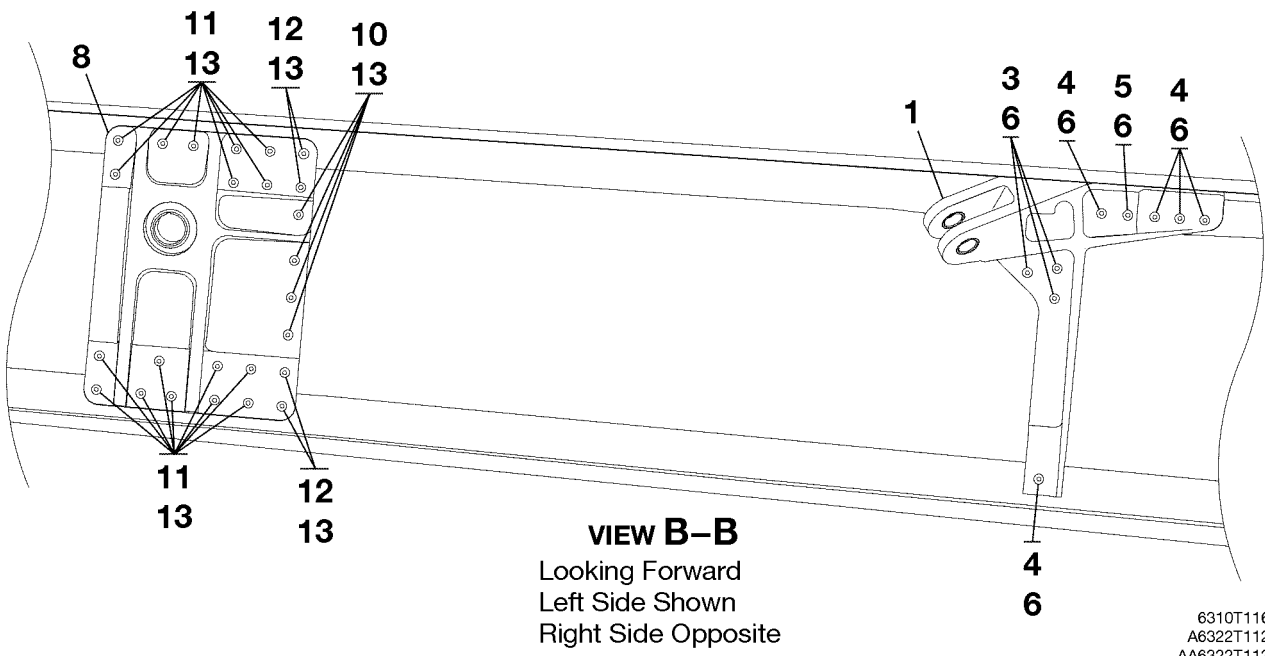
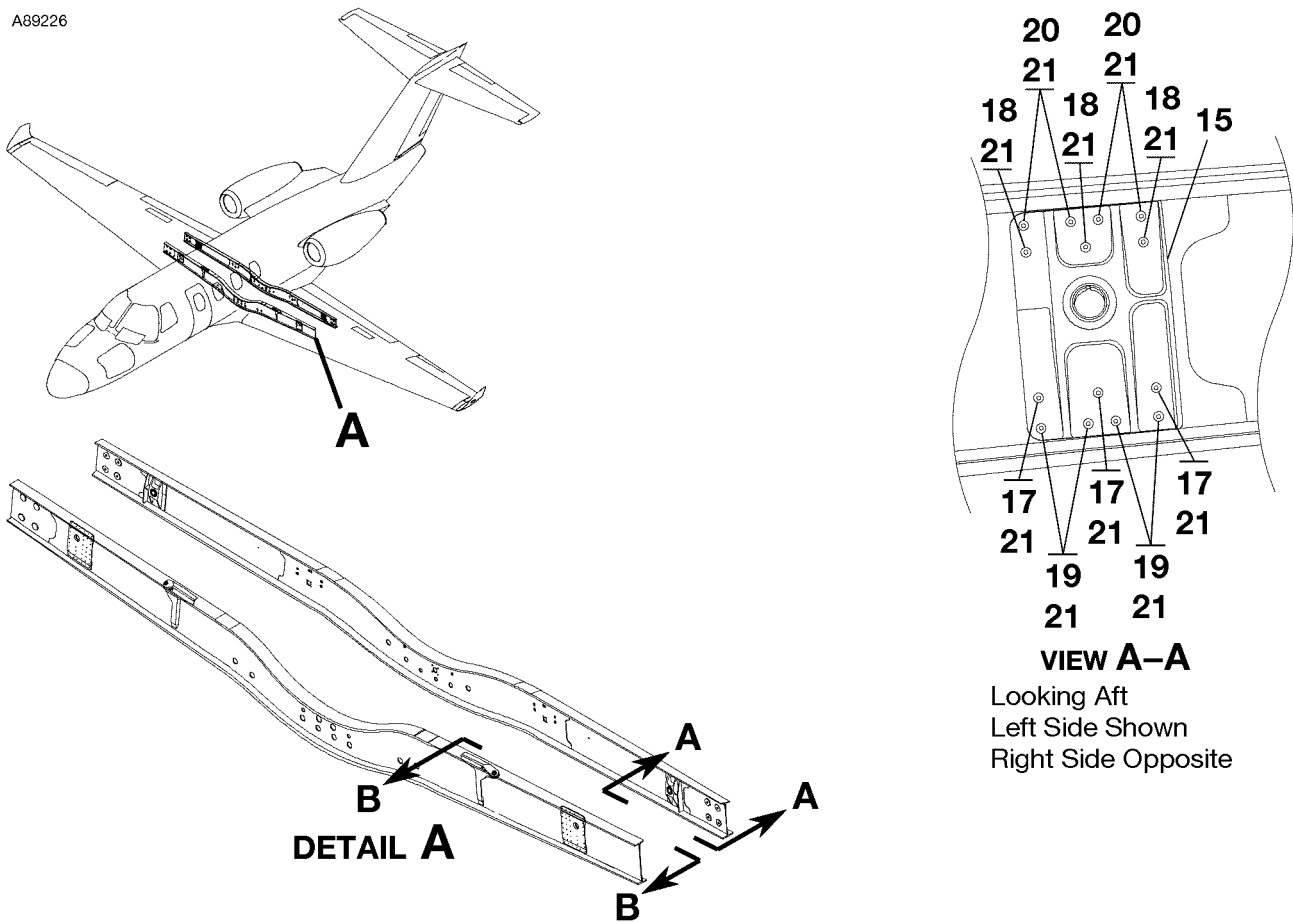
CESSNA®  
**MODEL 525 (SERIALS -0685 AND -0800 AND ON)**  
 ILLUSTRATED PARTS CATALOG

FIG ITEM	PART NUMBER	NOMENCLATURE	UNITS	
			PER	ASSY
01		ACCESS PANELS - OUTBOARD WING		RF
- 1	9912406-41	. PANEL ASSY . . . . .		06
		ATTACHING PARTS		
2	S3322S10-15	. SCREW . . . . .		16
3	NAS1474A3	. NUTPLATE . . . . .		16
		—*—		
4	9912406-45	. PANEL ASSY . . . . .		14
		ATTACHING PARTS		
5	S3322S10-15	. SCREW . . . . .		AR
6	NAS1474A3	. NUTPLATE . . . . .		AR
		—*—		
7		. SCOOP ASSY REFER TO 28-10-00 FIGURE 01 . . . . .		RF
8	6322153-49	. ACCESS DOOR-LH FSO 6322153-57 . . . . .	0685	0964 NP R
- 8A	6322153-57	. ACCESS DOOR-LH . . . . .	0965	& ON 01 R
- 9	6322153-50	. ACCESS DOOR-RH FSO 6322153-58 . . . . .	0685	0964 NP R
- 9A	6322153-58	. ACCESS DOOR-RH . . . . .	0965	& ON 01 R
		ATTACHING PARTS		
10	S3322S10-15	. SCREW . . . . .		23
11	MS21059L3	. NUTPLATE . . . . .		23
		—*—		
12	9912406-55	. PANEL ASSY . . . . .		08
		ATTACHING PARTS		
13	S3322S10-15	. SCREW . . . . .		14
14	NAS1474A3	. NUTPLATE . . . . .		14
		—*—		
15	6322055-13	. PANEL-LH . . . . .		01
- 16	6322055-14	. PANEL-RH . . . . .		01
		ATTACHING PARTS		
17	MS24694-S49	. SCREW . . . . .		10
		—*—		
18	6322153-44	. DOOR ASSY . . . . .		02
19	6322112-3	. DOOR-LH . . . . .		01
- 20	6322112-4	. DOOR-RH . . . . .		01
		ATTACHING PARTS		
21	MS24694-S5	. SCREW . . . . .		30
		—*—		
22	6322110-125	. DOOR-LH INBOARD . . . . .		01
- 23	6322110-148	. DOOR-RH INBOARD . . . . .		01
		ATTACHING PARTS		
24	MS24694-S5	. SCREW . . . . .		18
		—*—		

- ITEM NOT ILLUSTRATED

CESSNA®  
**MODEL 525 (SERIALS -0685 AND -0800 AND ON)**  
 ILLUSTRATED PARTS CATALOG

A89226



MAIN LANDING GEAR (MLG) ATTACH FITTINGS  
 FIGURE 02 (SHEET 1)

6310T1168  
 A6322T1129  
 AA6322T1130  
 BB6322T1131



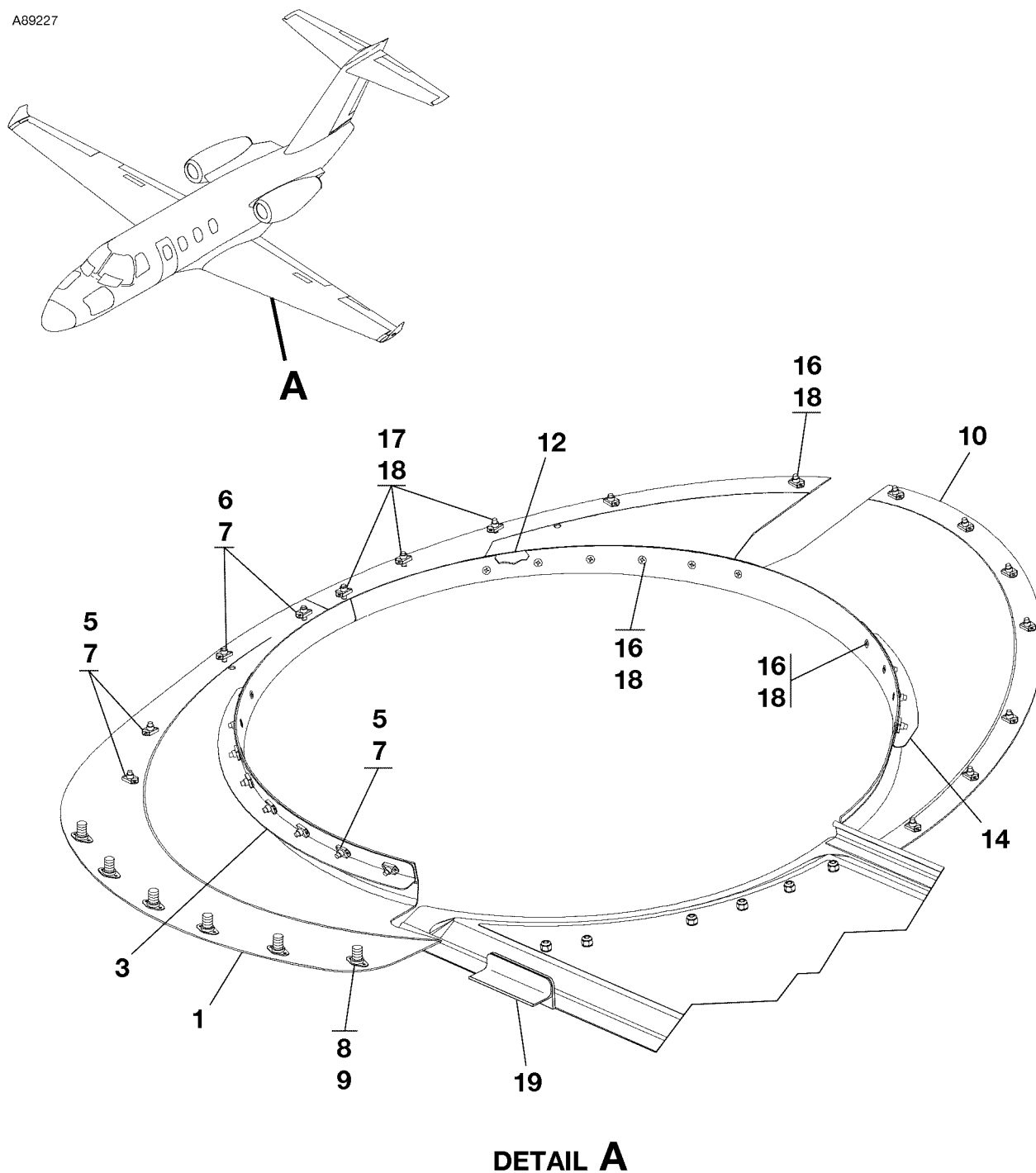
CESSNA®  
**MODEL 525 (SERIALS -0685 AND -0800 AND ON)**  
 ILLUSTRATED PARTS CATALOG

FIG ITEM	PART NUMBER	NOMENCLATURE	UNITS
			PER ASSY
02		MAIN LANDING GEAR (MLG) ATTACH FITTINGS	RF
- 1	6322080-25	. FITTING ASSY-LH SIDE BRACE . . . . .	01
- 2	6322080-24	. FITTING ASSY-RH SIDE BRACE . . . . .	01
		ATTACHING PARTS	
3	HL18PB6-4	. PIN HI-LOK . . . . . V73197	03
4	HL18PB6-8	. PIN HI-LOK . . . . . V73197	05
5	HL18PB6-9	. PIN HI-LOK . . . . . V73197	01
6	HL70-6	. COLLAR HI-LOK . . . . . V73197	09
		—*—	
- 7	6322080-17	. BUSHING . . . . .	02
8	6322060-19	. FITTING ASSY-LH FWD TRUNNION . . . . .	01
- 9	6322060-20	. FITTING ASSY-RH FWD TRUNNION . . . . .	01
		ATTACHING PARTS	
10	NAS7035H06	. PIN . . . . .	04
11	NAS7035H08	. PIN . . . . .	17
12	NAS7035H09	. PIN . . . . .	04
13	NAS1080K05	. COLLAR . . . . .	25
		—*—	
- 14	AKB16-4003N	. BEARING . . . . . V15860	01
15	6322070-21	. FITTING ASSY-LH AFT TRUNNION . . . . .	01
- 16	6322070-20	. FITTING ASSY-RH AFT TRUNNION . . . . .	01
		ATTACHING PARTS	
17	HL18PB6-3	. PIN HI-LOK . . . . . V73197	03
18	HL18PB6-4	. PIN HI-LOK . . . . . V73197	03
19	HL18PB6-6	. PIN HI-LOK . . . . . V73197	04
20	HL18PB6-7	. PIN HI-LOK . . . . . V73197	04
21	HL70-6	. COLLAR . . . . . V73197	14
		—*—	
- 22	AKB16-4003N	. BEARING . . . . .	01

- ITEM NOT ILLUSTRATED

CESSNA®  
MODEL 525 (SERIALS -0685 AND -0800 AND ON)  
ILLUSTRATED PARTS CATALOG

A89227



MAIN LANDING GEAR (MLG) WHEEL FAIRING INSTALLATION  
FIGURE 01 (SHEET 1)

6310T1168  
A6341T1078

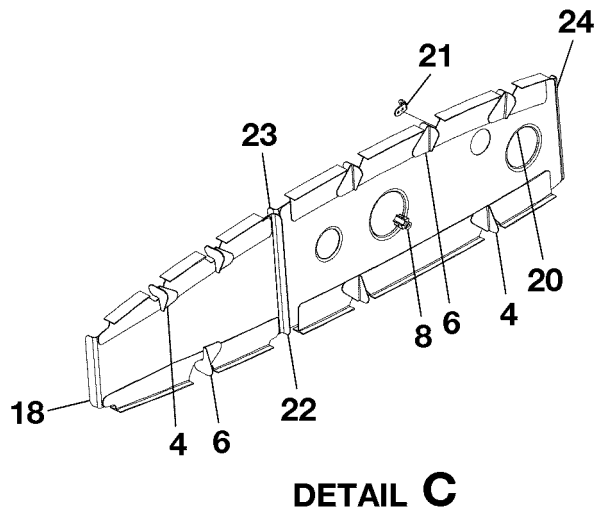
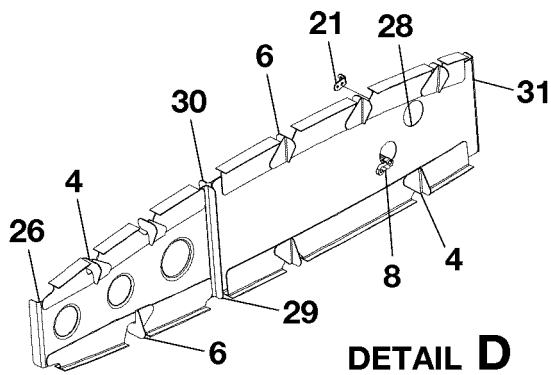
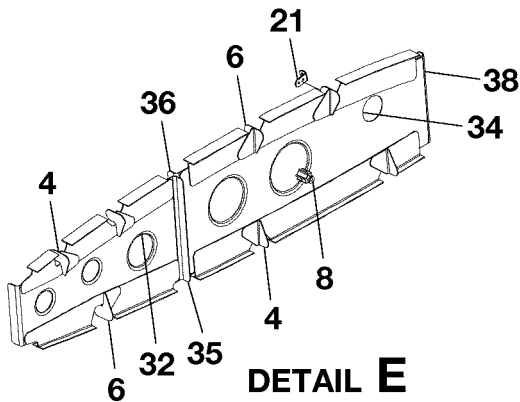
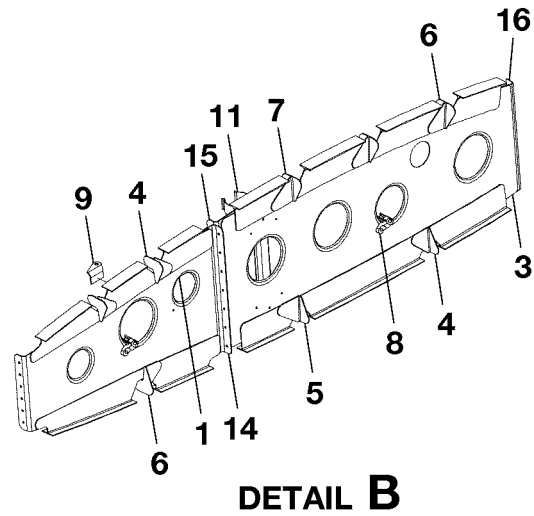
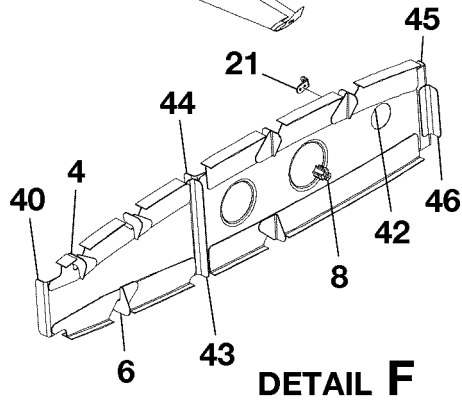
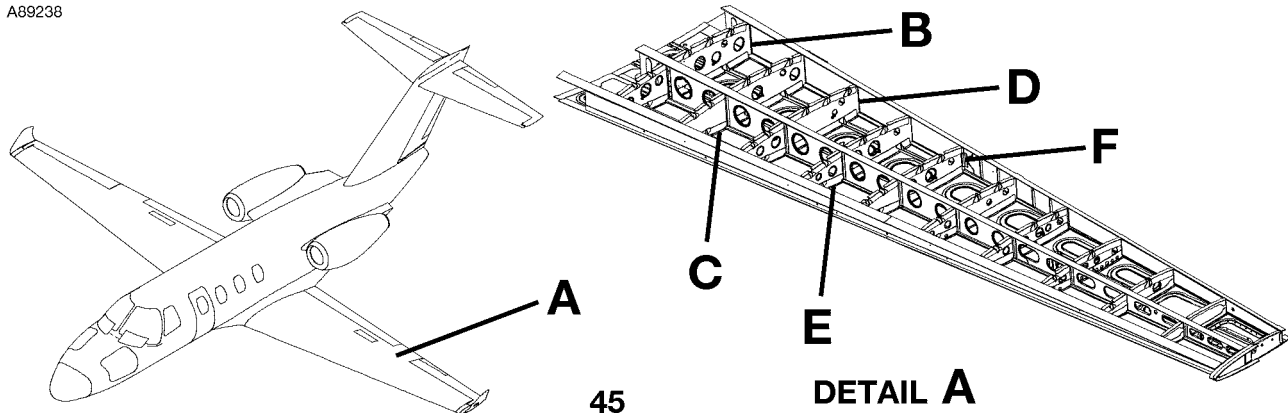
CESSNA®  
**MODEL 525 (SERIALS -0685 AND -0800 AND ON)**  
 ILLUSTRATED PARTS CATALOG

FIG ITEM	PART NUMBER	NOMENCLATURE	UNITS
			PER ASSY
01		MAIN LANDING GEAR (MLG) WHEEL FAIRING INSTALLATION	RF
-			
1	6322013-1	. FAIRING-LH FWD . . . . .	01
- 2	6322013-2	. FAIRING-RH FWD . . . . .	01
3	6322013-3	. ATTACH ANGLE-LH FWD . . . . .	01
- 4	6322013-4	. ATTACH ANGLE-RH FWD . . . . .	01
		ATTACHING PARTS	
5	MS24694-C4	. SCREW . . . . .	10
6	MS24694-C6	. SCREW . . . . .	02
7	MS21075L08E	. NUTPLATE . . . . .	12
8	S3322C10-15	. SCREW . . . . .	06
9	NAS1473A3K	. NUTPLATE . . . . .	06
		—*—	
10	6322013-9	. FAIRING-LH AFT . . . . .	01
- 11	6322013-10	. AFT MLG FAIRING-RH AFT . . . . .	01
12	6322013-11	. ATTACH ANGLE-LH INBD . . . . .	01
- 13	6322013-12	. ATTACH ANGLE-RH INBD . . . . .	01
14	6322013-13	. ATTACH ANGLE-LH OUTBD . . . . .	01
- 15	6322013-14	. ATTACH ANGLE-RH OUTBD . . . . .	01
		ATTACHING PARTS	
16	MS24694-C4	. SCREW . . . . .	19
17	MS24694-C6	. SCREW . . . . .	03
18	MS21075L08E	. NUTPLATE ALT FOR MS21075L08 . . . . .	23
		—*—	
19		. MLG DOOR REFER TO 52-80-00 FIGURE 01. . . . .	RF

- ITEM NOT ILLUSTRATED

CESSNA®  
**MODEL 525 (SERIALS -0685 AND -0800 AND ON)**  
 ILLUSTRATED PARTS CATALOG

A89238



6310T1001  
 A6322T1108  
 B6322T1108  
 C6322T1108  
 D6322T1108  
 E6322T1108  
 F6322T1108

OUTBOARD WING RIB INSTALLATION  
 FIGURE 01 (SHEET 1)

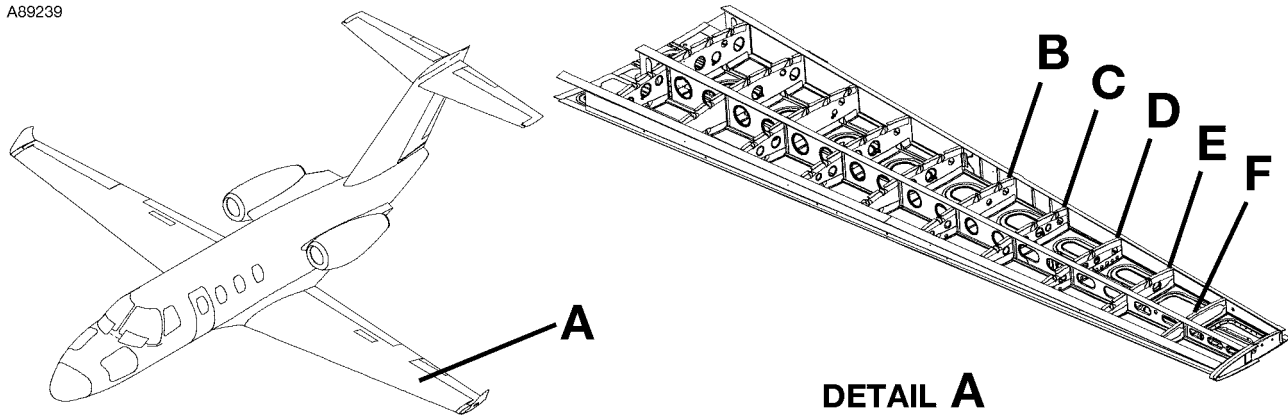
CESSNA®  
**MODEL 525 (SERIALS -0685 AND -0800 AND ON)**  
 ILLUSTRATED PARTS CATALOG

FIG ITEM	PART NUMBER	NOMENCLATURE	UNITS
			PER ASSY
		1 2 3 4 5 6 7	
01		OUTBOARD WING RIB INSTALLATION	RF
-			
1	6322036-19	. WEB-LH FWD . . . . .	01
- 2	6322036-20	. WEB-RH FWD . . . . .	01
3	6322036-16	. WEB-AFT . . . . .	02
4	6322300-2	. STRINGER CLIP . . . . .	35
5	6322036-24	. STRINGER CLIP . . . . .	02
6	6322300-1	. STRINGER CLIP . . . . .	35
7	6322036-23	. STRINGER CLIP . . . . .	02
8	S4132-2	. ANCHOR . . . . .	12
9	6326102-1	. BRACKET-LH FWD . . . . .	01
- 10	6326102-2	. BRACKET-RH FWD . . . . .	01
- 11	6326251-32	. BRACKET ASSY-AFT . . . . .	02
- 12	NAS620-5	. WASHER . . . . .	01
- 13	100-300-17A4	. HOLDER . . . . . V99378	02
14	6322036-6	. CLIP-FWD . . . . .	02
15	6322036-15	. CLIP-MID . . . . .	02
16	6322036-17	. CLIP-LH AFT RIB . . . . .	01
- 17	6322036-18	. CLIP-RH AFT RIB . . . . .	01
18	6322137-3	. WEB-LH FWD . . . . .	01
- 19	6322137-4	. WEB-RH FWD . . . . .	01
20	6322137-11	. WEB-AFT . . . . .	02
21	AN743-13	. BRACKET . . . . .	08
22	6322137-5	. CLIP-FWD UPR RIB . . . . .	02
23	6322137-13	. CLIP-FWD LWR RIB . . . . .	02
24	6322137-15	. CLIP-LH AFT RIB . . . . .	01
- 25	6322137-16	. CLIP-RH AFT RIB . . . . .	01
26	6322138-3	. WEB-LH FWD . . . . .	01
- 27	6322138-4	. WEB-RH FWD . . . . .	01
28	6322138-5	. WEB-AFT . . . . .	02
29	6322138-6	. CLIP-FWD . . . . .	02
30	6322138-13	. CLIP-MID . . . . .	02
31	6322138-8	. CLIP-AFT . . . . .	02
32	6322139-9	. WEB-LH FWD . . . . .	01
- 33	6322139-10	. WEB-RH FWD . . . . .	01
34	6322139-4	. WEB-AFT . . . . .	02
35	6322139-17	. CLIP-FWD . . . . .	02
36	6322139-15	. CLIP-LH MID RIB . . . . .	01
- 37	6322139-16	. CLIP-RH MID RIB . . . . .	01
38	6322139-7	. CLIP-LH AFT RIB . . . . .	01
- 39	6322139-8	. CLIP-RH AFT RIB . . . . .	01
40	6322140-3	. WEB-LH FWD . . . . .	01
- 41	6322140-4	. WEB-RH FWD . . . . .	01
42	6322140-5	. WEB-AFT . . . . .	02
43	6322140-7	. CLIP-FWD . . . . .	02
44	6322140-8	. CLIP-MID . . . . .	02
45	6322140-6	. CLIP . . . . .	02
46	6322140-13	. CLIP-AFT . . . . .	02

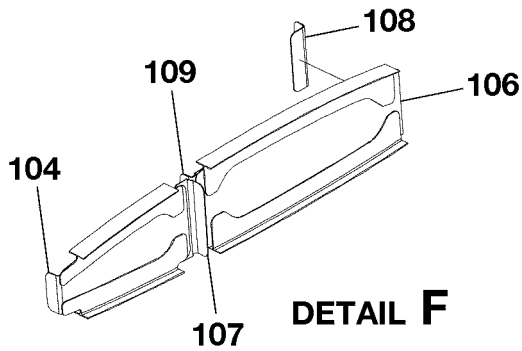
- ITEM NOT ILLUSTRATED

CESSNA®  
**MODEL 525 (SERIALS -0685 AND -0800 AND ON)**  
 ILLUSTRATED PARTS CATALOG

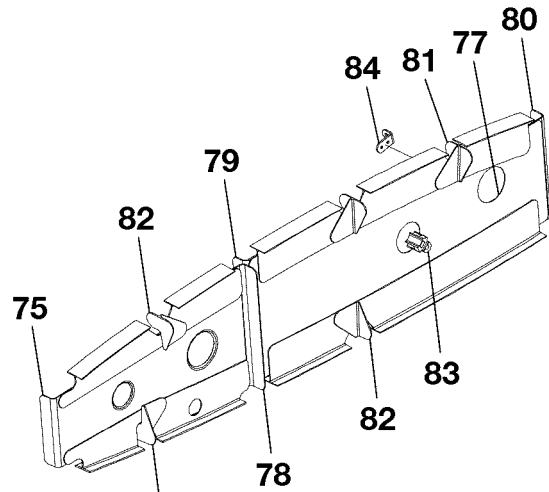
A89239



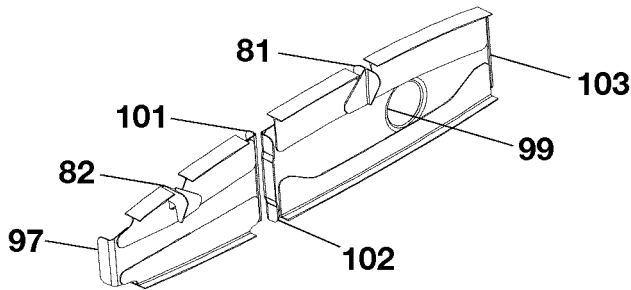
**DETAIL A**



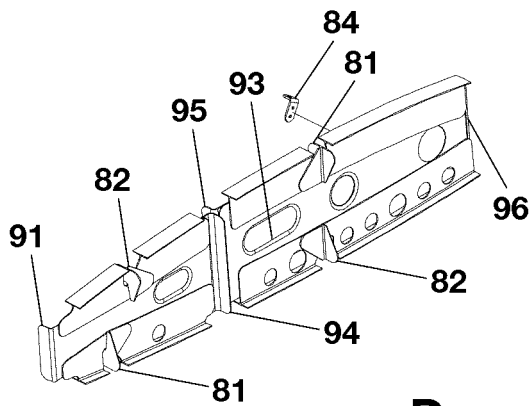
**DETAIL F**



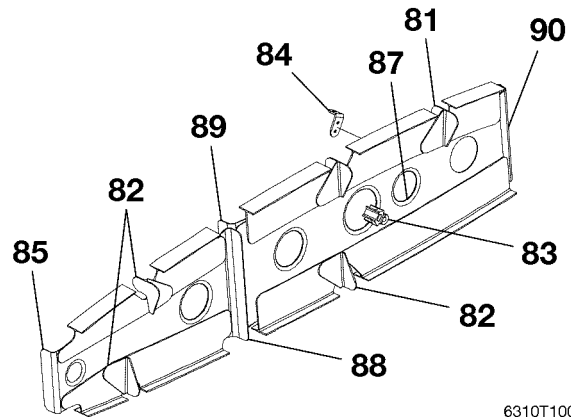
**DETAIL B**



**DETAIL E**



**DETAIL D**



**DETAIL C**

6310T1001  
 A6322T1109  
 B6322T1109  
 C6322T1109  
 D6322T1109  
 E6322T1109  
 F6322T1109

OUTBOARD WING RIB INSTALLATION  
 FIGURE 01 (SHEET 2)

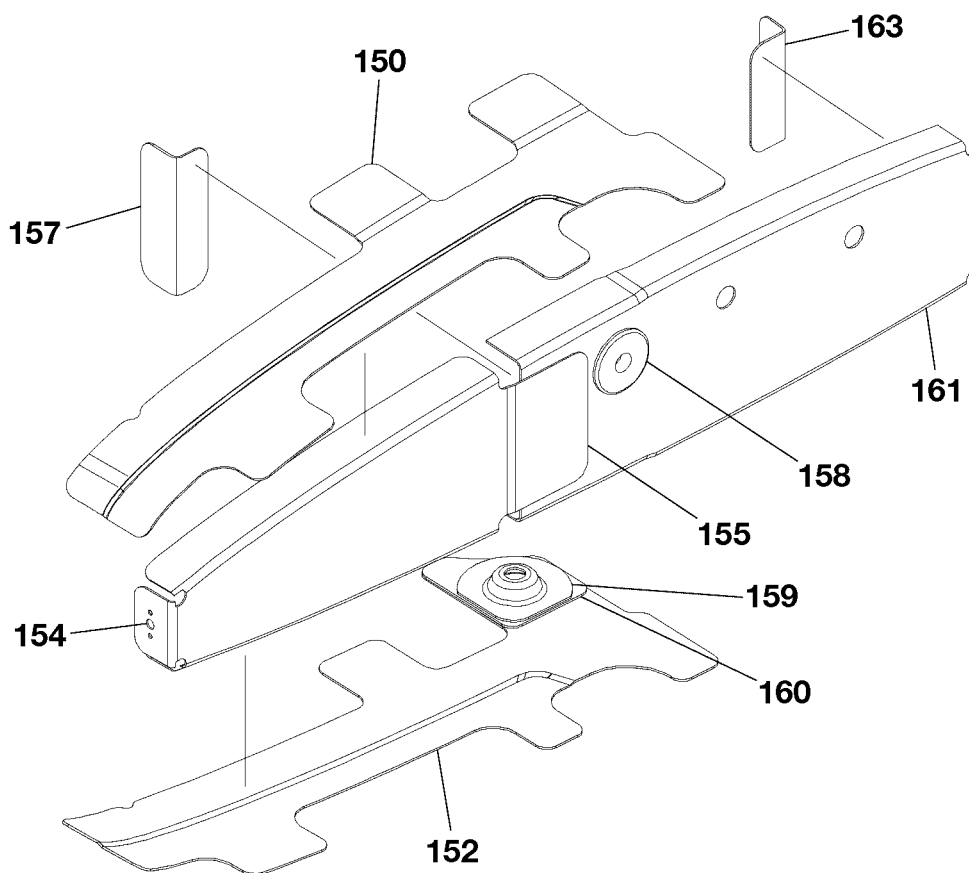
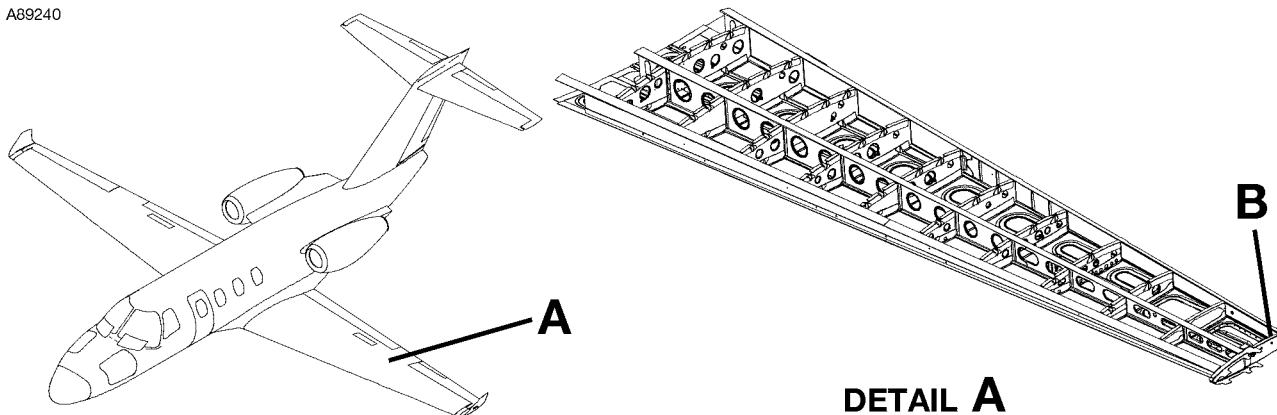
CESSNA®  
**MODEL 525 (SERIALS -0685 AND -0800 AND ON)**  
 ILLUSTRATED PARTS CATALOG

FIG ITEM	PART NUMBER	NOMENCLATURE	UNITS
			PER ASSY
01			
75	6322141-15	. WEB-LH FWD . . . . .	01
- 76	6322141-16	. WEB-RH FWD . . . . .	01
77	6322141-4	. WEB-AFT . . . . .	02
78	6322141-3	. CLIP-FWD . . . . .	02
79	6322141-19	. CLIP-MID . . . . .	02
80	6322141-7	. CLIP-AFT . . . . .	02
81	6322300-1	. STRINGER CLIP . . . . .	16
82	6322300-2	. STRINGER CLIP . . . . .	16
83	S4132-2	. ANCHOR . . . . .	04
84	AN743-13	. BRACKET . . . . .	06
85	6322142-3	. WEB-LH FWD . . . . .	01
- 86	6322142-4	. WEB-RH FWD . . . . .	01
87	6322142-5	. WEB-AFT . . . . .	02
88	6322142-7	. CLIP-FWD . . . . .	02
89	6322142-13	. CLIP-MID . . . . .	02
90	6322142-6	. CLIP-AFT . . . . .	02
91	6322143-3	. WEB-LH FWD . . . . .	01
- 92	6322143-4	. WEB-RH FWD . . . . .	01
93	6322143-16	. WEB-AFT . . . . .	02
94	6322143-6	. ANGLE-FWD . . . . .	02
95	6322143-15	. ANGLE-MID . . . . .	02
96	6322143-11	. ANGLE-AFT . . . . .	02
97	6322144-3	. WEB-LH FWD . . . . .	01
- 98	6322144-4	. WEB-RH FWD . . . . .	01
99	6322144-15	. WEB-LH AFT . . . . .	01
- 100	6322144-16	. WEB-RH AFT . . . . .	01
101	6322144-6	. CLIP-FWD FIB . . . . .	02
102	6322144-13	. CLIP-MID RIB . . . . .	02
103	6322144-9	. CLIP-AFT RIB . . . . .	02
104	6322145-19	. WEB-LH FWD . . . . .	01
- 105	6322145-20	. WEB-RH FWD . . . . .	01
106	6322145-18	. WEB-AFT . . . . .	02
107	6322145-21	. ANGLE-FWD . . . . .	02
108	6322145-6	. ANGLE-AFT . . . . .	02
109	6322145-22	. CLIP-MID . . . . .	02

- ITEM NOT ILLUSTRATED

CESSNA®  
MODEL 525 (SERIALS -0685 AND -0800 AND ON)  
ILLUSTRATED PARTS CATALOG

A89240



**DETAIL B**

OUTBOARD WING RIB INSTALLATION  
FIGURE 01 (SHEET 3)

6310T1001  
A6322T1110  
B6322T1138



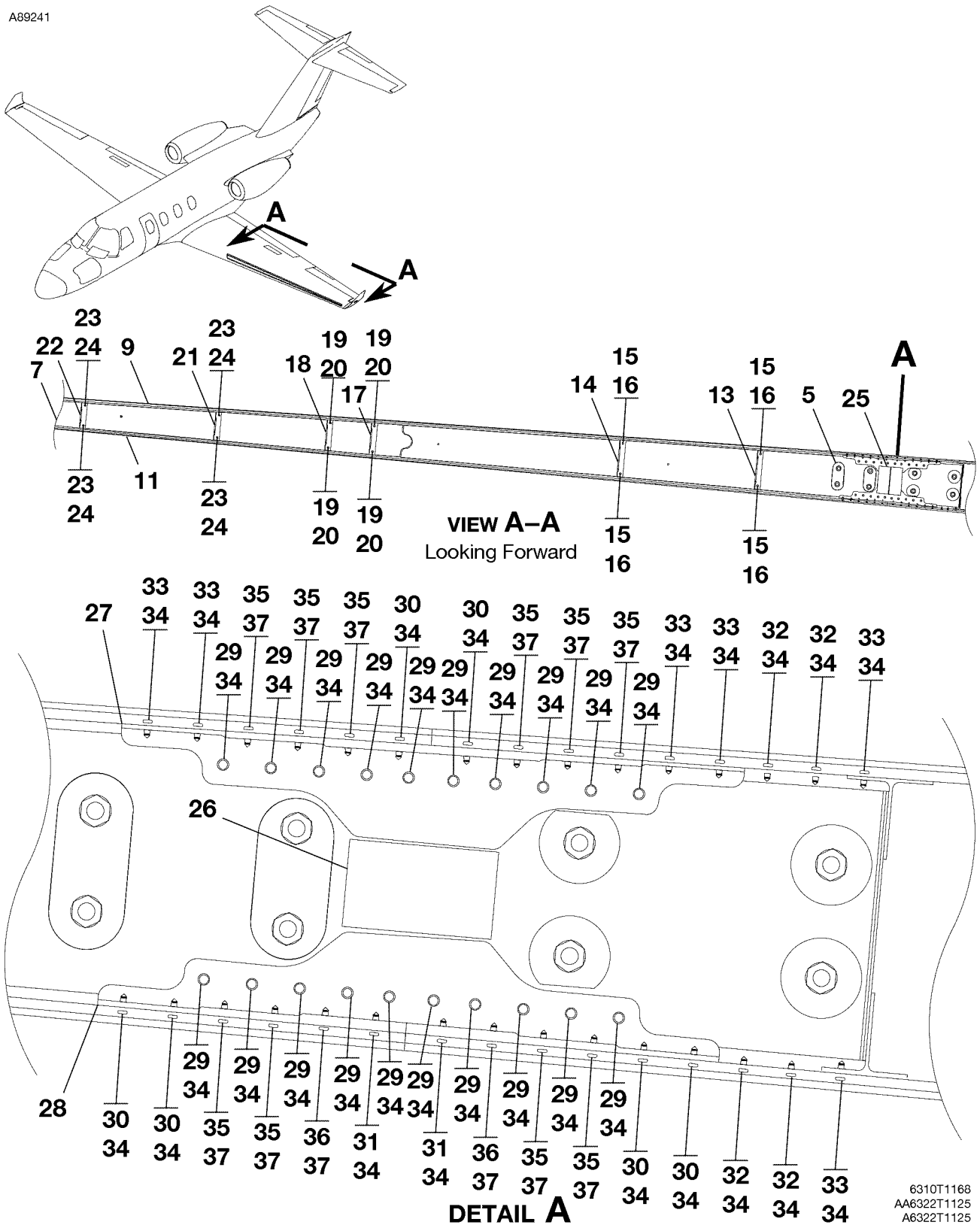
CESSNA®  
**MODEL 525 (SERIALS -0685 AND -0800 AND ON)**  
 ILLUSTRATED PARTS CATALOG

FIG ITEM	PART NUMBER	NOMENCLATURE	UNITS
			PER ASSY
01			
150	6322164-21	. ATTACH STRAP-LH UPR . . . . .	01
- 151	6322164-22	. ATTACH STRAP-RH UPR . . . . .	01
152	6322164-23	. ATTACH STRAP-LH LWR . . . . .	01
- 153	6322164-24	. ATTACH STRAP-RH LWR . . . . .	01
154	MS21075L3N	. NUTPLATE . . . . .	02
155	6322146-17	. RIB-LH . . . . .	01
- 156	6322146-18	. RIB-RH . . . . .	01
157	6322146-13	. CLIP-MID . . . . .	02
158	MS35489-12	. GROMMET . . . . .	02
159	6322200-3	. MOUNT . . . . .	02
160	6322164-11	. ATTACH STRAP SHIM . . . . .	02
161	6322146-45	. RIB-LH . . . . .	01
- 162	6322146-46	. RIB-RH . . . . .	01
163	6322146-23	. CLIP-AFT . . . . .	02

- ITEM NOT ILLUSTRATED

CESSNA®  
**MODEL 525 (SERIALS -0685 AND -0800 AND ON)**  
 ILLUSTRATED PARTS CATALOG

A89241



**DETAIL A**  
 OUTBOARD WING SPAR ASSEMBLY  
 FIGURE 02 (SHEET 1)

6310T1168  
 AA6322T1125  
 A6322T1125

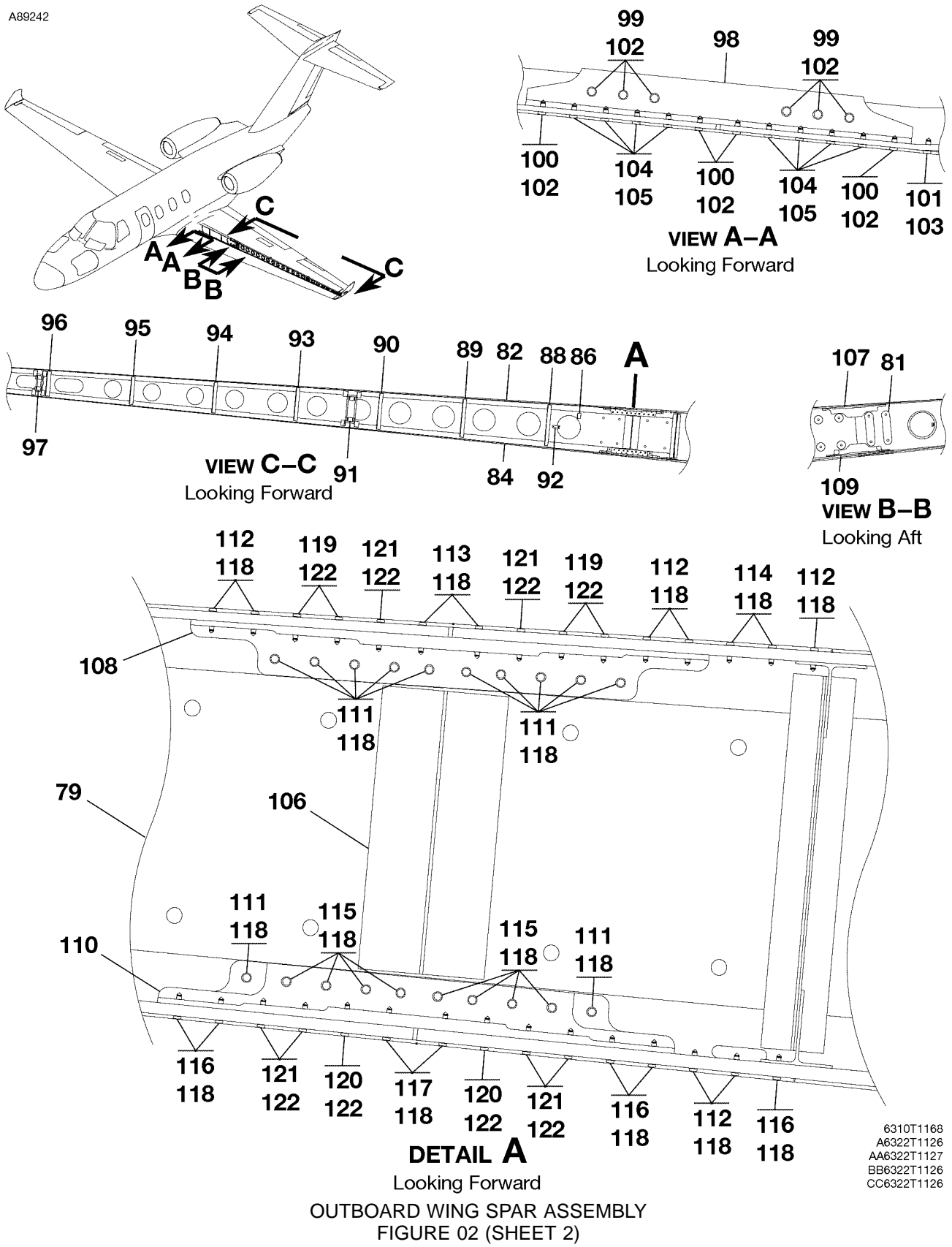
CESSNA®  
**MODEL 525 (SERIALS -0685 AND -0800 AND ON)**  
 ILLUSTRATED PARTS CATALOG

FIG ITEM	PART NUMBER	NOMENCLATURE	UNITS
			PER ASSY
02		OUTBOARD WING SPAR ASSEMBLY	RF
-		. FWD SPAR ASSY-LH . . . . .	01
- 1	6322101-1	. FWD SPAR ASSY-RH . . . . .	01
- 2	6322101-2	. . . . .	01
- 3	6322101-35	. . . . .	01
- 4	6322101-36	. . . . .	01
5	6322101-33	. . . . .	01
- 6	6322101-34	. . . . .	01
7	6322101-31	. . . . .	01
- 8	6322101-32	. . . . .	01
9	6322121-1	. . . . .	01
- 10	6322121-2	. . . . .	01
11	6322121-3	. . . . .	01
- 12	6322121-4	. . . . .	01
13	6322101-21	. . . . .	01
14	6322101-22	. . . . .	01
		ATTACHING PARTS	
15	NAS7035H04	. . . . .	02
16	NAS1080AG05	. . . . .	02
		—*—	
17	6322101-23	. . . . .	01
18	6322101-24	. . . . .	01
		ATTACHING PARTS	
19	NAS7035H03	. . . . .	02
20	NAS1080AG05	. . . . .	02
		—*—	
21	6322101-25	. . . . .	01
22	6322101-26	. . . . .	01
		ATTACHING PARTS	
23	NAS7034H03	. . . . .	02
24	NAS1080AG04	. . . . .	02
		—*—	
25	6322000-12	. . . . .	02
26	6322000-15	. . . . .	02
27	6322000-2	. . . . .	02
28	6322000-3	. . . . .	02
		ATTACHING PARTS	
29	HL10VBJ5-5	. . . . . V73197	10
30	HL11VBJ5-7	. . . . . V73197	AR
31	HL11VBJ5-8	. . . . . V73197	02
32	HL11VBJ5-5	. . . . . V73197	02
33	HL11VBJ5-6	. . . . . V73197	AR
34	HL70-5	. . . . . V73197	AR
35	HL11VBJ8-7	. . . . . V73197	AR
36	HL11VBJ8-8	. . . . . V73197	02
37	HL70-8	. . . . . V73197	06
		—*—	

- ITEM NOT ILLUSTRATED

CESSNA®  
**MODEL 525 (SERIALS -0685 AND -0800 AND ON)**  
 ILLUSTRATED PARTS CATALOG

A89242



6310T1168  
 A632T1126  
 AA632T1127  
 BB632T1126  
 CC632T1126

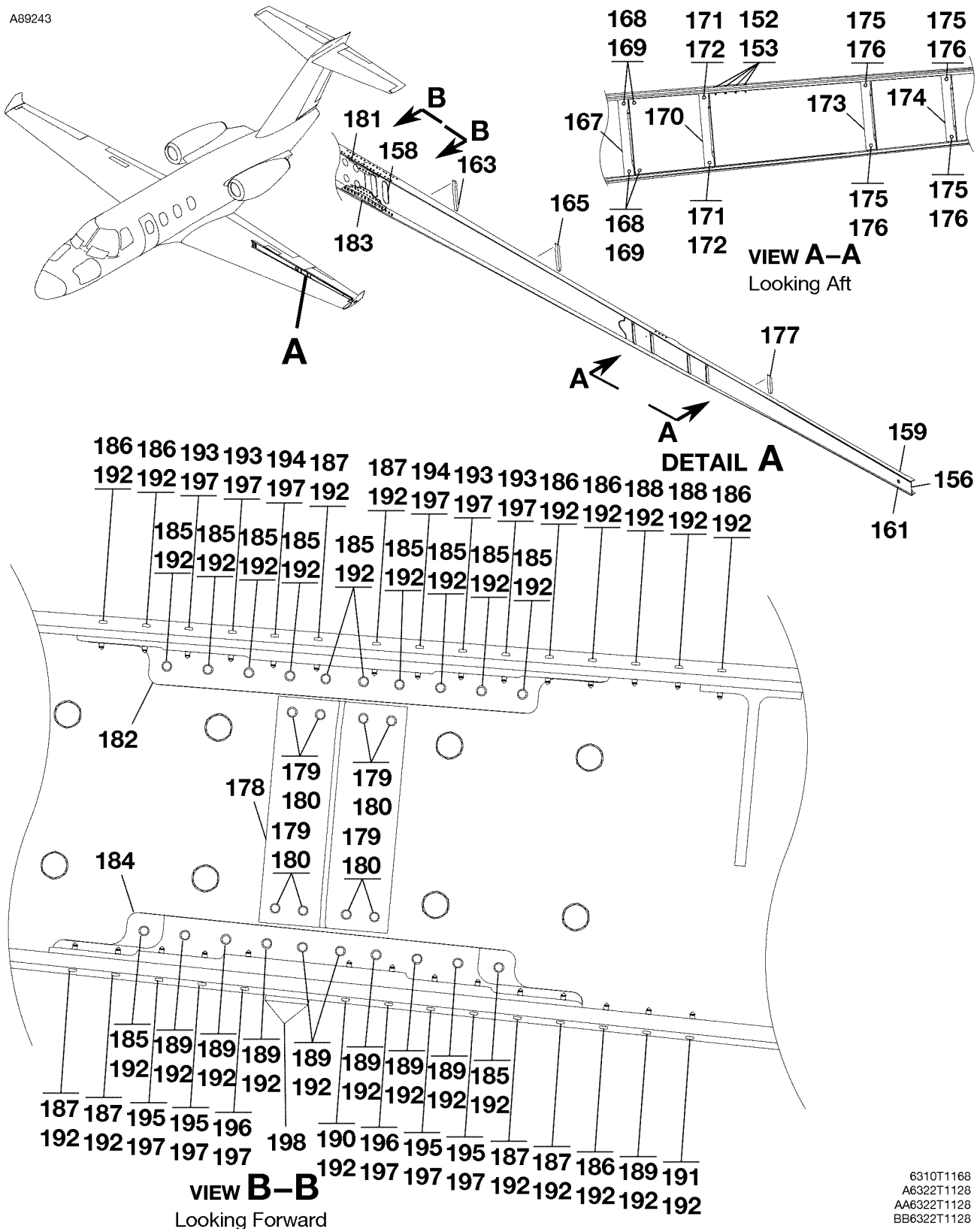
CESSNA®  
**MODEL 525 (SERIALS -0685 AND -0800 AND ON)**  
 ILLUSTRATED PARTS CATALOG

FIG ITEM	PART NUMBER	NOMENCLATURE	UNITS
			PER ASSY
02			
- 75	6322220-3	. MAIN SPAR ASSY-LH . . . . .	01
- 76	6322220-4	. MAIN SPAR ASSY-RH . . . . .	01
- 77	6322102-31	. . . . . WEB ASSY-LH . . . . .	01
- 78	6322102-32	. . . . . WEB ASSY-RH . . . . .	01
79	6322102-29	. . . . . WEB-LH . . . . .	01
- 80	6322102-30	. . . . . WEB-RH . . . . .	01
81	6322102-33	. . . . . DOUBLER . . . . .	01
82	6322221-1	. . . . . CAP-LH UPR . . . . .	01
- 83	6322221-2	. . . . . CAP-RH UPR . . . . .	01
84	6322122-3	. . . . . CAP-LH LWR . . . . .	01
- 85	6322122-4	. . . . . CAP-RH LWR . . . . .	01
86	6326102-1	. . . . . BRACKET-LH . . . . .	01
- 87	6326102-2	. . . . . BRACKET-RH . . . . .	01
88	6322102-23	. . . . . STIFFENER . . . . .	01
89	6322102-22	. . . . . STIFFENER . . . . .	01
90	6322102-21	. . . . . STIFFENER . . . . .	01
91	6326251-31	. . . . . BRACKET ASSY . . . . .	01
92	6318015-65	. . . . . ANCHOR ASSY . . . . .	01
93	6322102-20	. . . . . STIFFENER . . . . .	01
94	6322102-19	. . . . . STIFFENER . . . . .	01
95	6322102-18	. . . . . STIFFENER . . . . .	01
96	6322102-17	. . . . . STIFFENER . . . . .	01
97	6326251-30	. . . . . BRACKET ASSY . . . . .	01
98	6322100-2	. . . . . SPLICE ANGLE-CTR SPAR . . . . .	04
		ATTACHING PARTS	
99	HL10VBJ5-7	. . . . . PIN-HI-LOK . . . . . V73197	06
100	HL11VBJ5-6	. . . . . PIN-HI-LOK . . . . . V73197	04
101	HL11VBJ5-4	. . . . . PIN-HI-LOK . . . . . V73197	01
102	HL70-5	. . . . . COLLAR-HI-LOK . . . . . V73197	10
103	HL75DU5ADW	. . . . . COLLAR-HI-LOK . . . . . V73197	01
104	HL11VBJ6-6	. . . . . PIN-HI-LOK . . . . . V73197	08
105	HL70-6	. . . . . COLLAR-HI-LOK . . . . . V73197	08
		—*—	
106	6322000-13	. . . . . STIFFENER . . . . .	02
107	6322000-4	. . . . . SPLICE ANGLE-UPR FWD . . . . .	02
108	6322000-5	. . . . . SPLICE ANGLE-UPR AFT . . . . .	02
109	6322000-6	. . . . . SPLICE ANGLE-LWR FWD . . . . .	02
110	6322000-7	. . . . . SPLICE ANGLE-LWR AFT . . . . .	02
		ATTACHING PARTS	
111	HL10VBJ5-7	. . . . . PIN-HI-LOK . . . . . V73197	AR
112	HL11VBJ5-7	. . . . . PIN-HI-LOK . . . . . V73197	AR
113	HL11VBJ5-10	. . . . . PIN-UPR HI-LOK . . . . . V73197	02
114	HL11VBJ5-6	. . . . . PIN-UPR HI-LOK . . . . . V73197	02
115	HL10VBJ5-8	. . . . . PIN-LWR HI-LOK . . . . . V73197	08
116	HL11VBJ5-8	. . . . . PIN-LWR HI-LOK . . . . . V73197	05
117	HL11VBJ5-11	. . . . . PIN-LWR HI-LOK . . . . . V73197	02
118	HL70-5	. . . . . COLLAR-HI-LOK . . . . . V73197	AR
119	HL11VBJ8-9	. . . . . PIN-UPR HI-LOK . . . . . V73197	04
120	HL11VBJ8-11	. . . . . PIN-LWR HI-LOK . . . . . V73197	02
121	HL11VBJ8-10	. . . . . PIN-HI-LOK . . . . . V73197	AR
122	HL70-8	. . . . . COLLAR-HI-LOK . . . . . V73197	AR
		—*—	

- ITEM NOT ILLUSTRATED

CESSNA®  
**MODEL 525 (SERIALS -0685 AND -0800 AND ON)**  
 ILLUSTRATED PARTS CATALOG

A89243



OUTBOARD WING SPAR ASSEMBLY  
 FIGURE 02 (SHEET 3)

6310T1168  
 A6322T1128  
 AA6322T1128  
 BB6322T1128

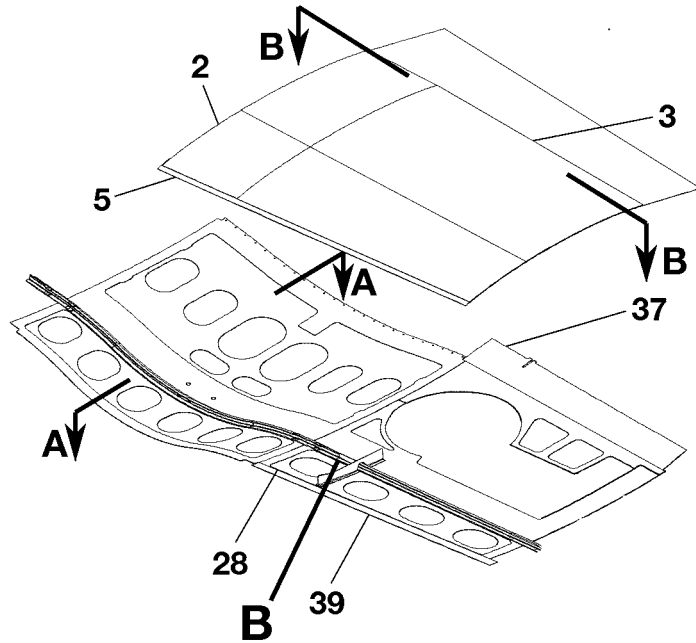
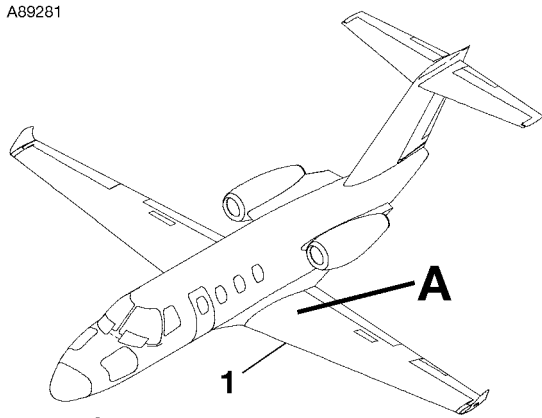
CESSNA®  
**MODEL 525 (SERIALS -0685 AND -0800 AND ON)**  
 ILLUSTRATED PARTS CATALOG

FIG ITEM	PART NUMBER	NOMENCLATURE	UNITS
			PER ASSY
		1 2 3 4 5 6 7	
02			
- 150	6322230-1	. REAR SPAR ASSY-LH . . . . .	01
- 151	6322230-2	. REAR SPAR ASSY-RH . . . . .	01
		ATTACHING PARTS	
152	HL11VBJ5-2	. PIN-HI-LOK . . . . . V73197	08
153	HL70-5	. COLLAR-HI-LOK . . . . . V73197	08
		—*—	
- 154	6322103-37	. . . WEB ASSY-LH . . . . .	01
- 155	6322103-38	. . . WEB ASSY-RH . . . . .	01
156	6322103-35	. . . WEB-LH . . . . .	01
- 157	6322103-36	. . . WEB-RH . . . . .	01
158	6322103-39	. . . DOUBLER . . . . .	01
159	6322231-1	. . . CAP-LH UPR . . . . .	01
- 160	6322231-2	. . . CAP-RH UPR . . . . .	01
161	6322123-3	. . . CAP-LH LWR . . . . .	01
- 162	6322123-4	. . . CAP-RH LWR . . . . .	01
163	6322103-7	. . . STIFFENER-LH . . . . .	01
- 164	6322103-8	. . . STIFFENER-RH . . . . .	01
165	6322103-13	. . . STIFFENER-LH . . . . .	01
- 166	6322103-14	. . . STIFFENER-RH . . . . .	01
167	6322103-24	. . . STIFFENER . . . . .	01
168	NAS7035H04	. . . PIN . . . . .	04
169	NAS1080K05	. . . COLLAR . . . . .	04
170	6322103-25	. . . STIFFENER . . . . .	01
		ATTACHING PARTS	
171	NAS7035H03	. . . PIN . . . . .	02
172	NAS1080K05	. . . COLLAR . . . . .	02
		—*—	
173	6322103-22	. . . STIFFENER . . . . .	01
174	6322103-23	. . . STIFFENER . . . . .	01
		ATTACHING PARTS	
175	NAS7034H03	. . . PIN . . . . .	02
176	NAS1080K04	. . . COLLAR . . . . .	02
		—*—	
177	6322103-12	. . . STIFFENER . . . . .	01
178	6322000-14	. . . STIFFENER-AFT SPAR . . . . .	02
		ATTACHING PARTS	
179	HL10VBJ5-4	. . . PIN-HI-LOK . . . . . V73197	16
180	HL70-5	. . . COLLAR-HI-LOK . . . . . V73197	16
		—*—	
181	6322000-8	. . . SPLICE ANGLE-UPR FWD . . . . .	02
182	6322000-9	. . . SPLICE ANGLE-UPR AFT . . . . .	02
183	6322000-10	. . . SPLICE ANGLE-LWR FWD . . . . .	02
184	6322000-11	. . . SPLICE ANGLE-LWR AFT . . . . .	02
185	HL10VBJ5-7	. . . PIN-HI-LOK . . . . . V73197	12
186	HL11VBJ5-7	. . . PIN-HI-LOK . . . . . V73197	05
187	HL11VBJ5-9	. . . PIN-HI-LOK . . . . . V73197	08
188	HL11VBJ5-5	. . . PIN-UPR HI-LOK . . . . . V73197	04
189	HL10VBJ5-8	. . . PIN-LWR HI-LOK . . . . . V73197	08
190	HL11VBJ5-13	. . . PIN-LWR HI-LOK . . . . . V73197	02
191	HL11VBJ5-8	. . . PIN-LWR FWD HI-LOK . . . . . V73197	02
192	HL70-5	. . . COLLAR-HI-LOK . . . . . V73197	41
193	HL11VBJ8-8	. . . PIN-UPR HI-LOK . . . . . V73197	08
194	HL11VBJ8-9	. . . PIN-UPR HI-LOK . . . . . V73197	04
195	HL11VBJ8-11	. . . PIN-LWR HI-LOK . . . . . V73197	08
196	HL11VBJ8-13	. . . PIN-LWR HI-LOK . . . . . V73197	04
197	HL70-8	. . . COLLAR-HI-LOK . . . . . V73197	24
198	6322000-16	. . . JACK PAD . . . . .	02

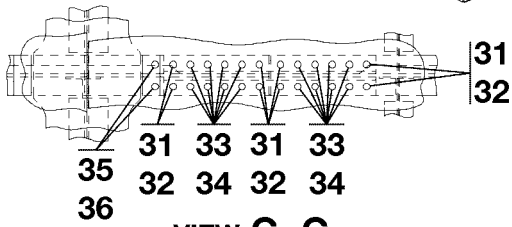
- ITEM NOT ILLUSTRATED

CESSNA®  
**MODEL 525 (SERIALS -0685 AND -0800 AND ON)**  
 ILLUSTRATED PARTS CATALOG

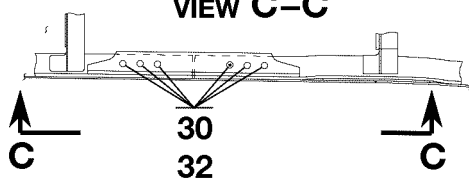
A89281



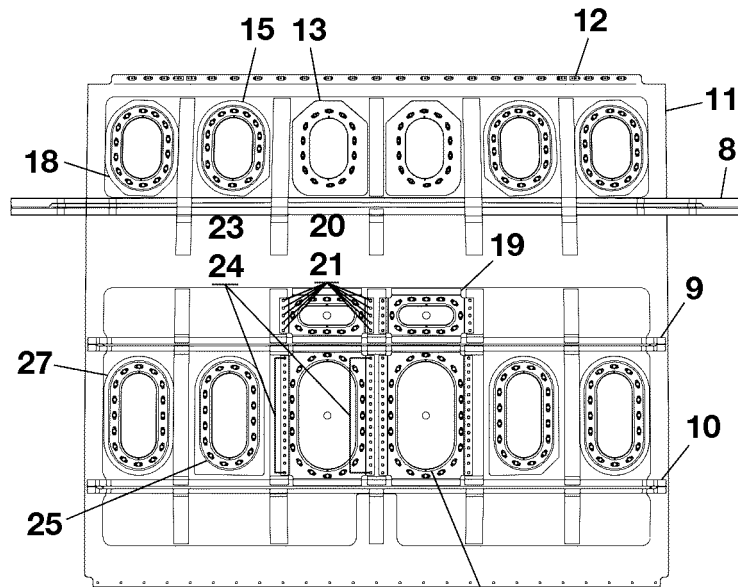
**DETAIL A**



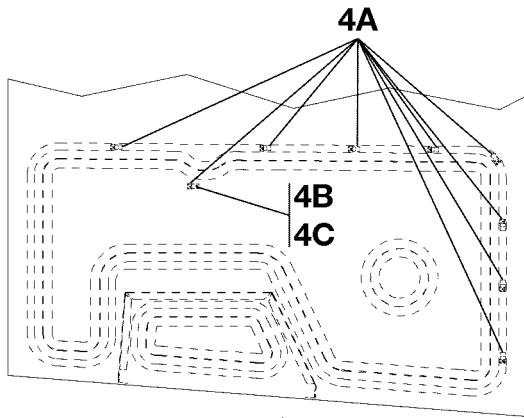
**VIEW C-C**



**DETAIL B**



**VIEW A-A**



**VIEW B-B**

WING SKINS  
 FIGURE 02 (SHEET 1)

6310T1168  
 A6322T1047  
 B6322T1140  
 AA6322T1140  
 BB6322T1140  
 CC6322T1140



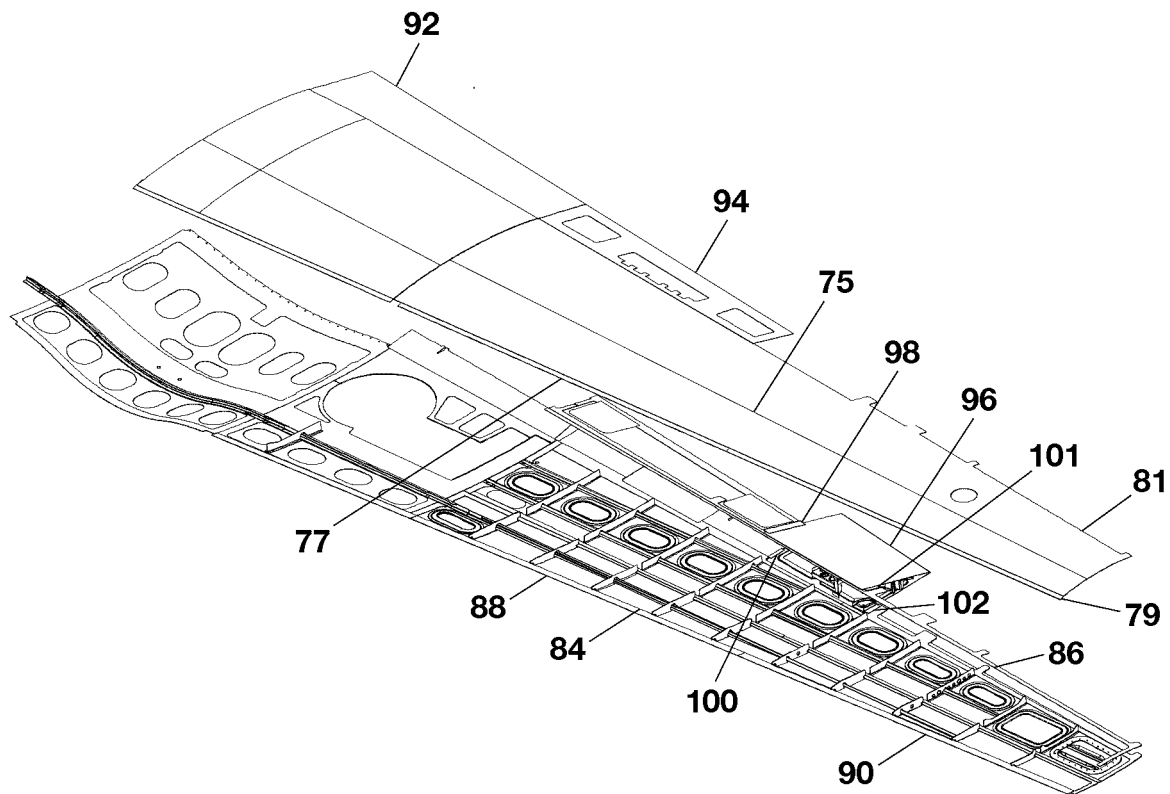
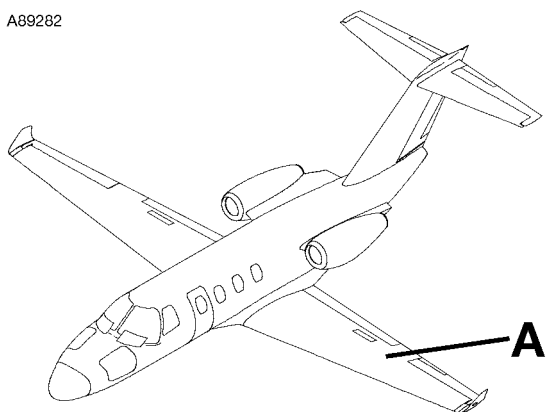
CESSNA®  
**MODEL 525 (SERIALS -0685 AND -0800 AND ON)**  
 ILLUSTRATED PARTS CATALOG

FIG ITEM	PART NUMBER	NOMENCLATURE	UNITS
			PER ASSY
		1 2 3 4 5 6 7	
02		WING SKINS	RF
-		. WING LEADING EDGE SKIN REFER TO 57-40-00 FIGURE 01 . . . . .	RF
1		. PANEL ASSY-UPPER . . . . .	01
2	6322005-8	. SKIN PANEL BOND ASSY-LH . . . . .	01
3	6322050-39	. SKIN PANEL BOND ASSY-RH . . . . .	01
- 4	6322050-40	. ANCHOR ASSY . . . . .	18
4A	S3529-1B1	. SCREW . . . . .	02
4B	NAS623-2-2	. NUT . . . . .	02
4C	NAS1329H08K75L	. ATTACH STRAP-LH . . . . .	01
5	6322104-11	. ATTACH STRAP-RH . . . . .	01
- 6	6322104-12	. PANEL ASSY-LOWER . . . . .	01
- 7	6322006-34	. STRINGER-LOWER FWD . . . . .	01
8	6322006-32	. STRINGER-LOWER . . . . .	01
9	6322006-3	. STRINGER-LOWER AFT . . . . .	01
10	6322006-4	. SKIN-LOWER . . . . .	01
11	6322006-33	. NUTPLATE . . . . .	04
12	MS21061L08	. DOUBLER ASSY-LH FWD MID . . . . .	01
13	6322006-29	. DOUBLER ASSY-RH FWD MID . . . . .	01
- 14	6322006-30	. DOUBLER ASSY-LH FWD . . . . .	01
15	6322006-8	. DOUBLER ASSY-RH FWD . . . . .	01
- 16	6322006-10	. NUTPLATE . . . . .	23
- 17	MS21059L08	. DOUBLER ASSY-FWD OUTBOARD . . . . .	02
18	6322006-6	. DOUBLER ASSY-MID . . . . .	02
19	6322006-18	. ATTACHING PARTS	
20	HL11VBJ5-3	. PIN-HI-LOK . . . . . V73197	10
21	HL70-5	. COLLAR-HI-LOK . . . . . V73197	10
		—*—	
22	6322006-20	. DOUBLER ASSY-AFT . . . . .	02
		. ATTACHING PARTS	
23	HL11VBJ5-3	. PIN-HI-LOK . . . . . V73197	32
24	HL70-5	. COLLAR-HI-LOK . . . . . V73197	32
		—*—	
25	6322006-16	. DOUBLER ASSY-LH AFT . . . . .	01
- 26	6322006-22	. DOUBLER ASSY-RH AFT . . . . .	01
27	6322006-14	. DOUBLER ASSY . . . . .	02
28	6322171-1	. SKIN PANEL ASSY-LH FWD LOWER . . . . .	01
- 29	6322171-2	. SKIN PANEL ASSY-RH FWD LOWER . . . . .	01
		. ATTACHING PARTS	
30	HL10VBJ5-7	. PIN-HI-LOK . . . . . V73197	06
31	HL11VBJ5-6	. PIN-HI-LOK . . . . . V73197	08
32	HL70-5	. COLLAR-HI-LOK . . . . . V73197	14
33	HL11VBJ6-6	. PIN-HI-LOK . . . . . V73197	16
34	HL70-6	. COLLAR-HI-LOK . . . . . V73197	16
35	HL11VBJ5-4	. PIN-HI-LOK . . . . . V73197	02
36	HL75DU5ADW	. COLLAR-HI-LOK . . . . . V73197	02
		—*—	
37	6322053-19	. SKIN PANEL-LH AFT LOWER BONDED . . . . .	01
- 38	6322053-20	. SKIN PANEL-RH AFT LOWER BONDED . . . . .	01
39	6322104-17	. ATTACH STRAP-LH . . . . .	01
- 40	6322104-18	. ATTACH STRAP-RH . . . . .	01

- ITEM NOT ILLUSTRATED

CESSNA®  
MODEL 525 (SERIALS -0685 AND -0800 AND ON)  
ILLUSTRATED PARTS CATALOG

A89282



**DETAIL A**

WING SKINS  
FIGURE 02 (SHEET 2)

6310T1168  
A6322T1047

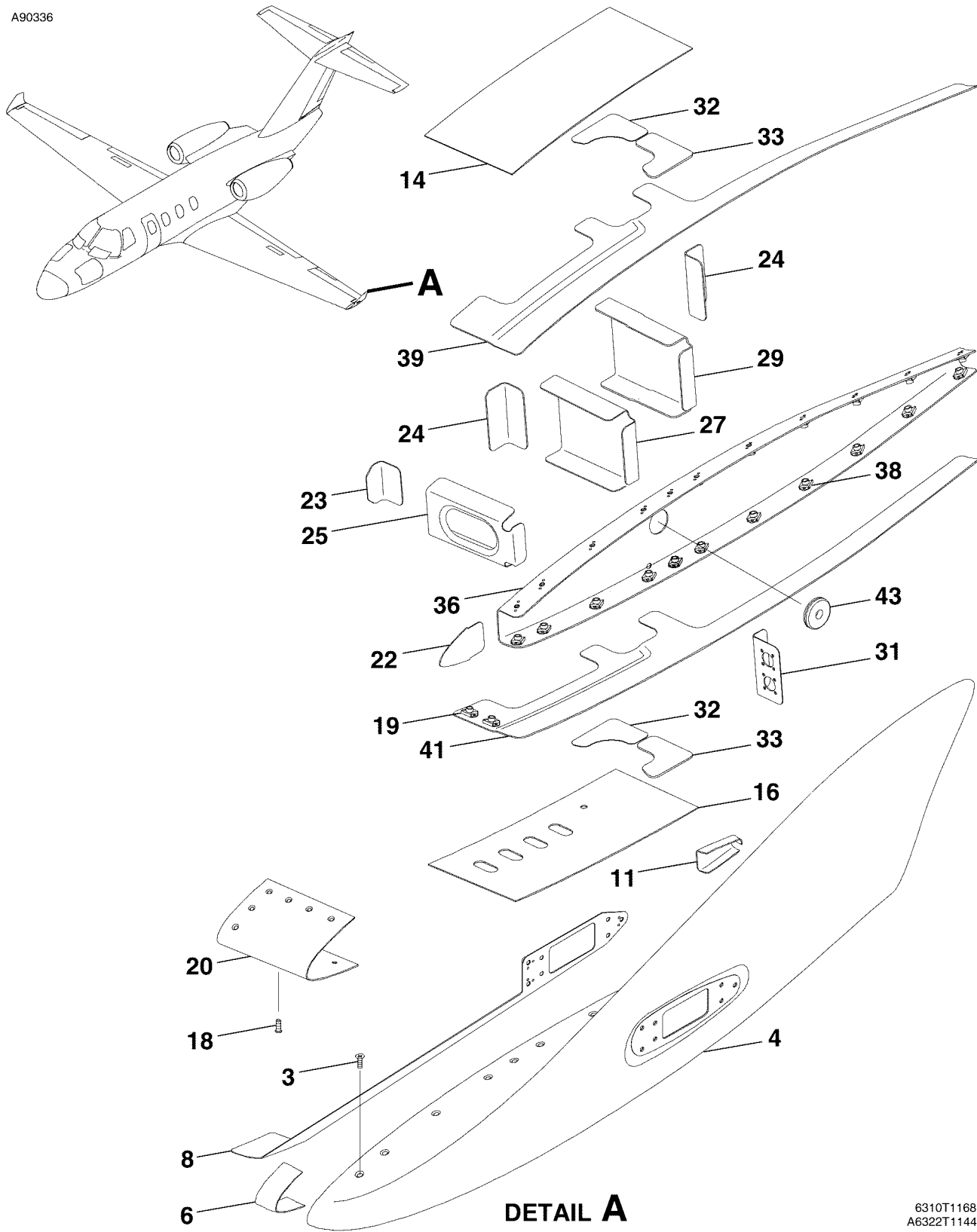
CESSNA®  
**MODEL 525 (SERIALS -0685 AND -0800 AND ON)**  
 ILLUSTRATED PARTS CATALOG

FIG ITEM	PART NUMBER	NOMENCLATURE	UNITS
			PER ASSY
02			
75	6322150-11	. SKIN PANEL ASSY-LH FWD . . . . .	01
- 76	6322150-12	. SKIN PANEL ASSY-RH FWD . . . . .	01
77	6322104-13	. ATTACH STRAP-LH INBOARD . . . . .	01
- 78	6322104-14	. ATTACH STRAP-RH INBOARD . . . . .	01
79	6322104-15	. ATTACH STRAP-LH OUTBOARD . . . . .	01
- 80	6322104-16	. ATTACH STRAP-RH OUTBOARD . . . . .	01
81	6322160-1	. SKIN PANEL ASSY-LH AFT UPPER . . . . .	01
- 82	6322160-2	. SKIN PANEL ASSY-RH AFT UPPER . . . . .	01
- 83		. DELETED-NOT USED . . . . .	
84	6322152-17	. SKIN PANEL ASSY-LH FWD LOWER . . . . .	01
- 85	6322152-18	. SKIN PANEL ASSY-RH FWD LOWER . . . . .	01
86	6322153-1	. SKIN PANEL ASSY-LH AFT LOWER . . . . .	01
- 87	6322153-2	. SKIN PANEL ASSY-RH AFT LOWER . . . . .	01
88	6322104-19	. ATTACH STRAP-LH INBOARD . . . . .	01
- 89	6322104-20	. ATTACH STRAP-RH INBOARD . . . . .	01
90	6322104-21	. ATTACH STRAP-LH OUTBOARD . . . . .	01
- 91	6322104-22	. ATTACH STRAP-RH OUTBOARD . . . . .	01
92	6322111-1	. SKIN BOND ASSY-LH INBOARD TRAILING EDGE . . . . .	01
- 93	6322111-2	. SKIN BOND ASSY-RH INBOARD TRAILING EDGE . . . . .	01
94	6322111-41	. SKIN BOND ASSY-LH CENTER TRAILING EDGE . . . . .	01
- 95	6322111-42	. SKIN BOND ASSY-RH CENTER TRAILING EDGE . . . . .	01
96	6322111-47	. SKIN ASSY-LH OUTBOARD TRAILING EDGE . . . . .	01
- 97	6322111-48	. SKIN ASSY-RH OUTBOARD TRAILING EDGE . . . . .	01
98	6322110-179	. SKIN SPLICE-LH UPPER . . . . .	01
- 99	6322110-180	. SKIN SPLICE-RH UPPER . . . . .	01
100	6322110-49	. SKIN SPLICE-LOWER . . . . .	02
101	6322110-111	. SKIN SPLICE-UPPER . . . . .	02
102	6322110-193	. SKIN SPLICE-LOWER . . . . .	02

- ITEM NOT ILLUSTRATED

CESSNA®  
MODEL 525 (SERIALS -0685 AND -0800 AND ON)  
ILLUSTRATED PARTS CATALOG

A90336



**DETAIL A**  
WINGLET INSTALLATION  
FIGURE 01 (SHEET 1)

6310T1168  
A6322T1144

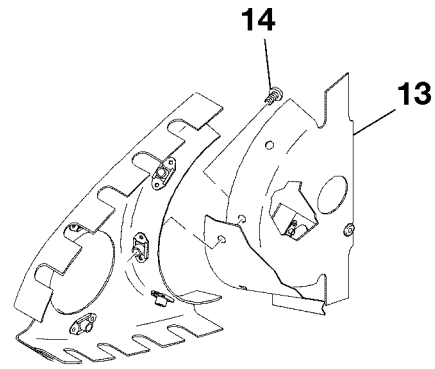
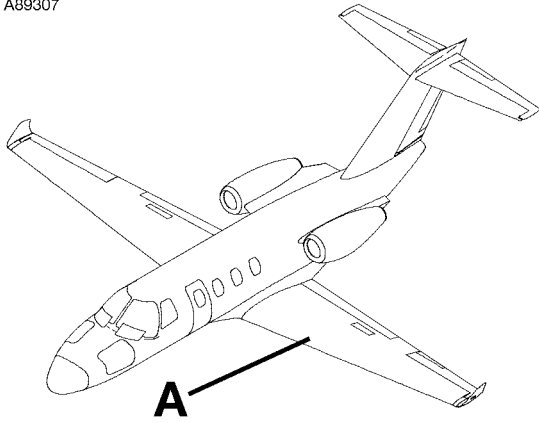
CESSNA®  
**MODEL 525 (SERIALS -0685 AND -0800 AND ON)**  
 ILLUSTRATED PARTS CATALOG

FIG ITEM	PART NUMBER	NOMENCLATURE	UNITS PER ASSY		
			1	2	3
01		WINGLET INSTALLATION			RF
-					
- 1	6322162-1	. WINGLET ASSY-LH FSO 6322162-17 . . . . .	0800	0893	NP R
- 1A	6322162-17	. WINGLET ASSY-LH . . . . .	0894	& ON	01 R
- 2	6322162-2	. WINGLET ASSY-RH FSO 6322162-18 . . . . .	0800	0893	NP R
- 2A	6322162-18	. WINGLET ASSY-RH . . . . .	0894	& ON	01 R
		ATTACHING PARTS			
3	MS24694-C53	. SCREW . . . . .			22
		—*—			
4	6322162-7	. WINGLET-LH . . . . .			01
- 5	6322162-8	. WINGLET-RH . . . . .			01
6	6322162-15	. TAB-LH FWD . . . . .			01
- 7	6322162-16	. TAB-RH FWD . . . . .			01
8	6322162-11	. LIGHTNING STRAP ASSY-LH . . . . .	0800	0893	01 R
- 8A	6322162-9	. LIGHTNING STRAP ASSY-LH . . . . .	0894	& ON	01 R
- 9	6322162-12	. LIGHTNING STRAP ASSY-RH . . . . .	0800	0893	01 R
- 9A	6322162-10	. LIGHTNING STRAP ASSY-RH . . . . .	0894	& ON	01 R
- 10	MS21074L08	. NUTPLATE . . . . .	0800	0893	03 R
11	6322162-13	. CLOSEOUT-LH AFT . . . . .			01
- 12	6322162-14	. CLOSEOUT-RH AFT . . . . .			01
- 13	MS21074L08	. NUTPLATE . . . . .	0894	& ON	03 R
14	6322164-15	. SKIN-LH UPPER . . . . .			01 R
- 15	6322164-16	. SKIN-RH UPPER . . . . .			01 R
16	6322164-17	. SKIN-LH LOWER . . . . .			01 R
- 17	6322164-18	. SKIN-RH LOWER . . . . .			01 R
		ATTACHING PARTS			
18	NAS1581C3T2	. BOLT . . . . .			06 R
19	MS21075L3N	. NUTPLATE . . . . .			06 R
		—*—			
20	6322164-13	. SKIN-LH LEADING EDGE . . . . .			01 R
- 21	6322164-14	. SKIN-RH LEADING EDGE . . . . .			01 R
22	6322164-35	. CLOSEOUT-FWD . . . . .			02 R
23	6322164-26	. CLIP-FWD . . . . .			02 R
24	6322164-25	. CLIP-CENTER AND AFT . . . . .			04 R
25	6322164-7	. SPAR-LH FWD . . . . .			01 R
- 26	6322164-8	. SPAR-RH FWD . . . . .			01 R
27	6322164-9	. SPAR-LH CENTER . . . . .			01 R
- 28	6322164-10	. SPAR-RH CENTER . . . . .			01 R
29	6322164-19	. SPAR-LH AFT . . . . .			01 R
- 30	6322164-20	. SPAR-RH AFT . . . . .			01 R
31	6322164-33	. BRACKET-CENTER . . . . .			02 R
32	6322164-31	. SHIM-INBOARD . . . . .			04 R
33	6322164-30	. SHIM-OUTBOARD . . . . .			04 R
- 34	6322164-27	. RIB ASSY-LH . . . . .			01 R
- 35	6322164-28	. RIB ASSY-RH . . . . .			01 R
36	6322164-1	. RIB-LH . . . . .			01 R
- 37	6322164-2	. RIB-RH . . . . .			01 R
38	MS21076L3	. NUTPLATE . . . . .			22 R
39	6322164-3	. RIB DOUBLER-LH UPPER . . . . .			01 R
- 40	6322164-4	. RIB DOUBLER-RH UPPER . . . . .			01 R
41	6322164-5	. RIB DOUBLER-LH LOWER . . . . .			01 R
- 42	6322164-6	. RIB DOUBLER-RH LOWER . . . . .			01 R
43	MS35489-12	. GROMMET . . . . .			02 R

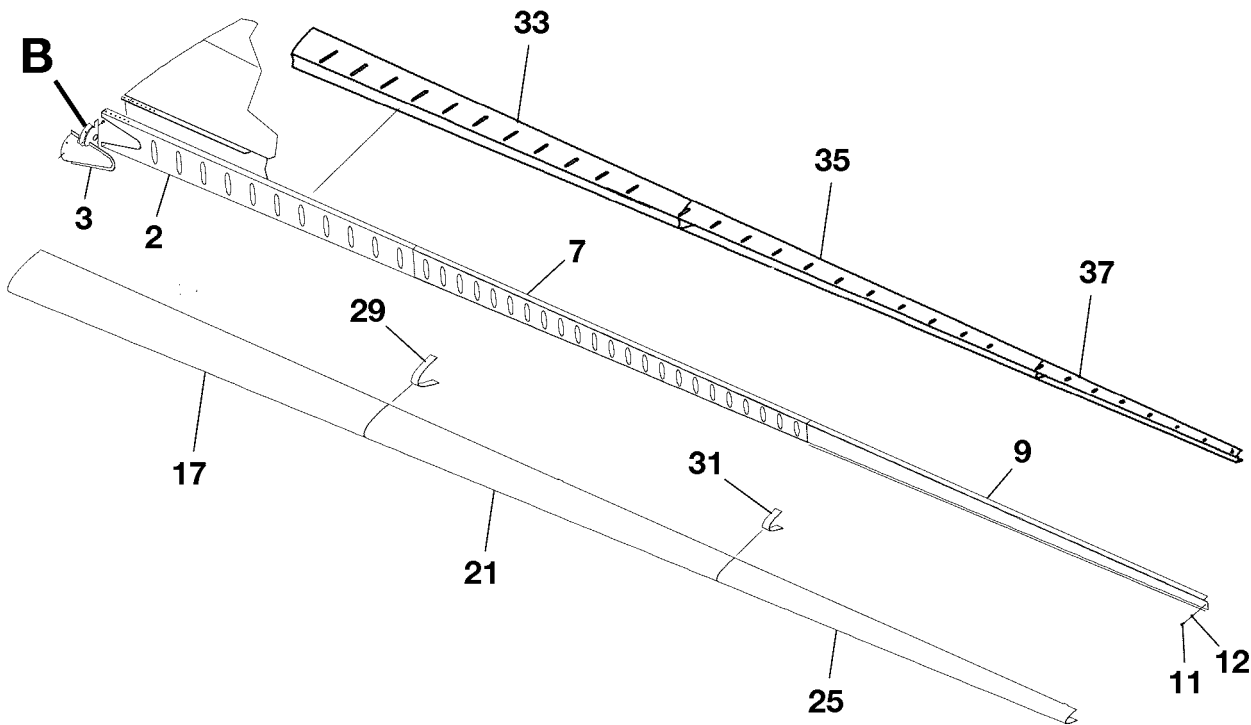
- ITEM NOT ILLUSTRATED

CESSNA®  
MODEL 525 (SERIALS -0685 AND -0800 AND ON)  
ILLUSTRATED PARTS CATALOG

A89307



**DETAIL B**



**DETAIL A**

WING LEADING EDGE  
FIGURE 01 (SHEET 1)

6310T1168  
A6322T1139  
B6322T1139

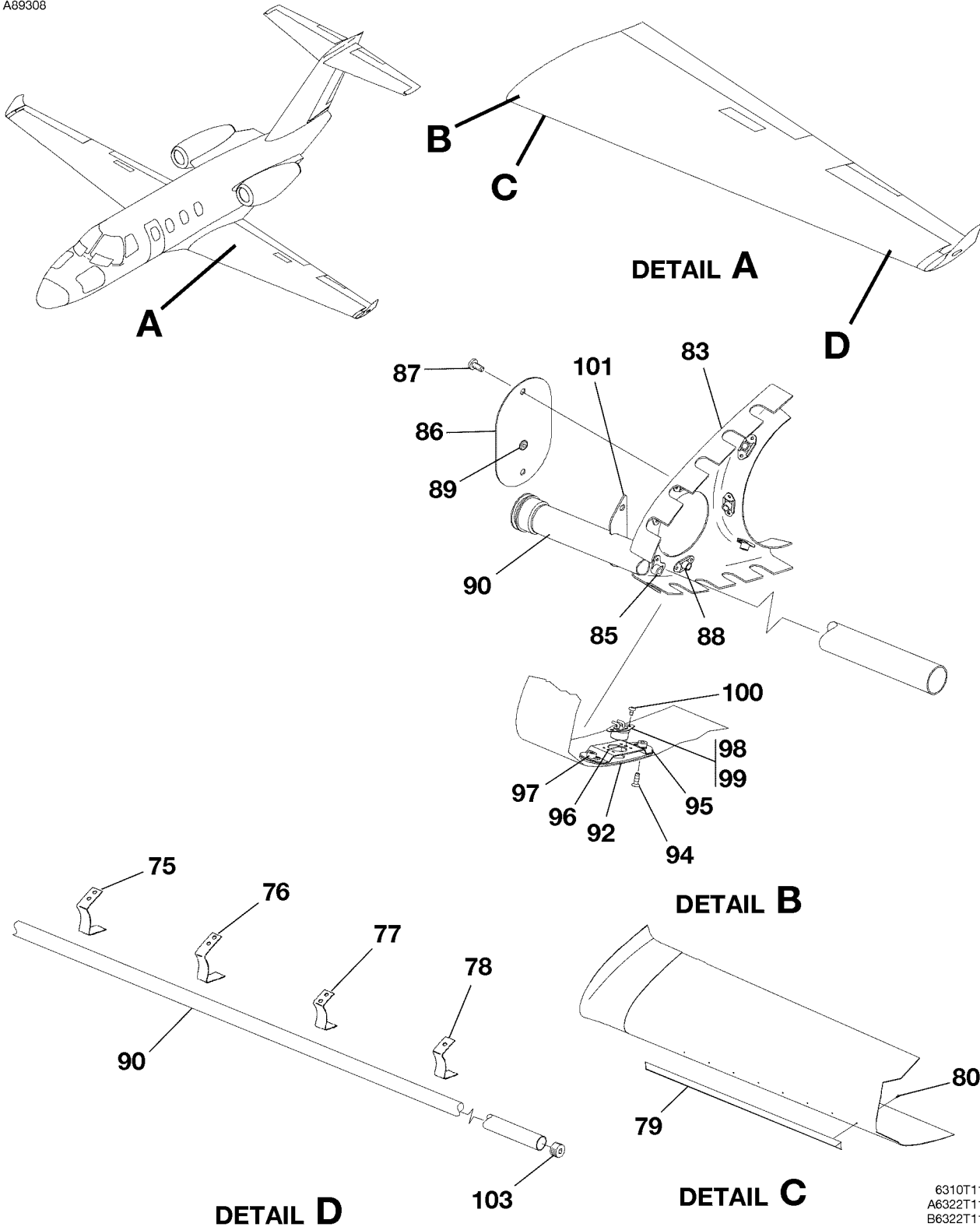
CESSNA®  
**MODEL 525 (SERIALS -0685 AND -0800 AND ON)**  
 ILLUSTRATED PARTS CATALOG

FIG ITEM	PART NUMBER	NOMENCLATURE	UNITS
			PER ASSY
01		WING LEADING EDGE	RF
-			
- 1	6322104-39	. HEAT SHIELD ASSY-LH INBD . . . . .	01
2	6322104-33	. . HEAT SHIELD . . . . .	01
3	6322104-41	. . HEAT SHIELD . . . . .	01
- 4	6322104-40	. HEAT SHIELD ASSY-RH INBD . . . . .	01
- 5	6322104-34	. . HEAT SHIELD-RH INBD . . . . .	01
- 6	6322104-42	. . HEAT SHIELD-RH INBD . . . . .	01
7	6322104-35	. HEAT SHIELD-LH CTR . . . . .	01
- 8	6322104-36	. HEAT SHIELD-RH CTR . . . . .	01
9	6322104-61	. HEAT SHIELD-LH OUTBD . . . . .	01
- 10	6322104-60	. HEAT SHIELD-RH OUTBD . . . . .	01
		ATTACHING PARTS	
11	AN3-3A	. BOLT . . . . .	01
12	NAS1149C0332R	. WASHER . . . . .	01
		—*—	
13	6322104-91	. RIB-INBD . . . . .	02
		ATTACHING PARTS	
14	MS27039C1-06	. SCREW . . . . .	03
		—*—	
- 15	6322004-35	. LEADING EDGE ASSY-LH . . . . .	NP
- 16	6322004-34	. LEADING EDGE ASSY-RH . . . . .	NP
- 17	6322104-67	. . SKIN-LH INBD FSO 6322104-231 . . . . .	NP
- 18	6322104-231	. . SKIN-LH INBD FOR SPARES ONLY . . . . .	01
- 19	6322104-66	. . SKIN-RH INBD FSO 6322104-230 . . . . .	NP
- 20	6322104-230	. . SKIN-RH INBD FOR SPARES ONLY . . . . .	01
21	6322104-69	. . SKIN-LH CTR FSO 6322104-227 . . . . .	NP
- 22	6322104-227	. . SKIN-LH CTR FOR SPARES ONLY . . . . .	01
- 23	6322104-68	. . SKIN-RH CTR FSO 6322104-226 . . . . .	NP
- 24	6322104-226	. . SKIN-RH CTR FOR SPARES ONLY . . . . .	01
25	6322104-71	. . SKIN-LH OUTBD FSO 6322104-229 . . . . .	NP
- 26	6322104-229	. . SKIN-LH OUTBD FOR SPARES ONLY . . . . .	01
- 27	6322104-70	. . SKIN-RH OUTBD FSO 6322104-228 . . . . .	NP
- 28	6322104-228	. . SKIN-RH OUTBD FOR SPARES ONLY . . . . .	01
29	6322104-29	. . SPLICE STRAP-LH . . . . .	01
- 30	6322104-30	. . SPLICE STRAP-RH . . . . .	01
31	6322104-31	. . SPLICE STRAP-LH . . . . .	01
- 32	6322104-32	. . SPLICE STRAP-RH . . . . .	01
33	6322104-73	. . LINER-LH INBD . . . . .	01
- 34	6322104-72	. . LINER-RH INBD . . . . .	01
35	6322104-3	. . LINER-LH CTR . . . . .	01
- 36	6322104-4	. . LINER-RH CTR . . . . .	01
37	6322104-5	. . LINER-LH OUTBD . . . . .	01
- 38	6322104-6	. . LINER-RH OUTBD . . . . .	01

- ITEM NOT ILLUSTRATED

CESSNA®  
**MODEL 525 (SERIALS -0685 AND -0800 AND ON)**  
 ILLUSTRATED PARTS CATALOG

A89308



WING LEADING EDGE  
 FIGURE 01 (SHEET 2)

6310T1168  
 A6322T1139  
 B6322T1139  
 C6322T1139  
 D6322T1139



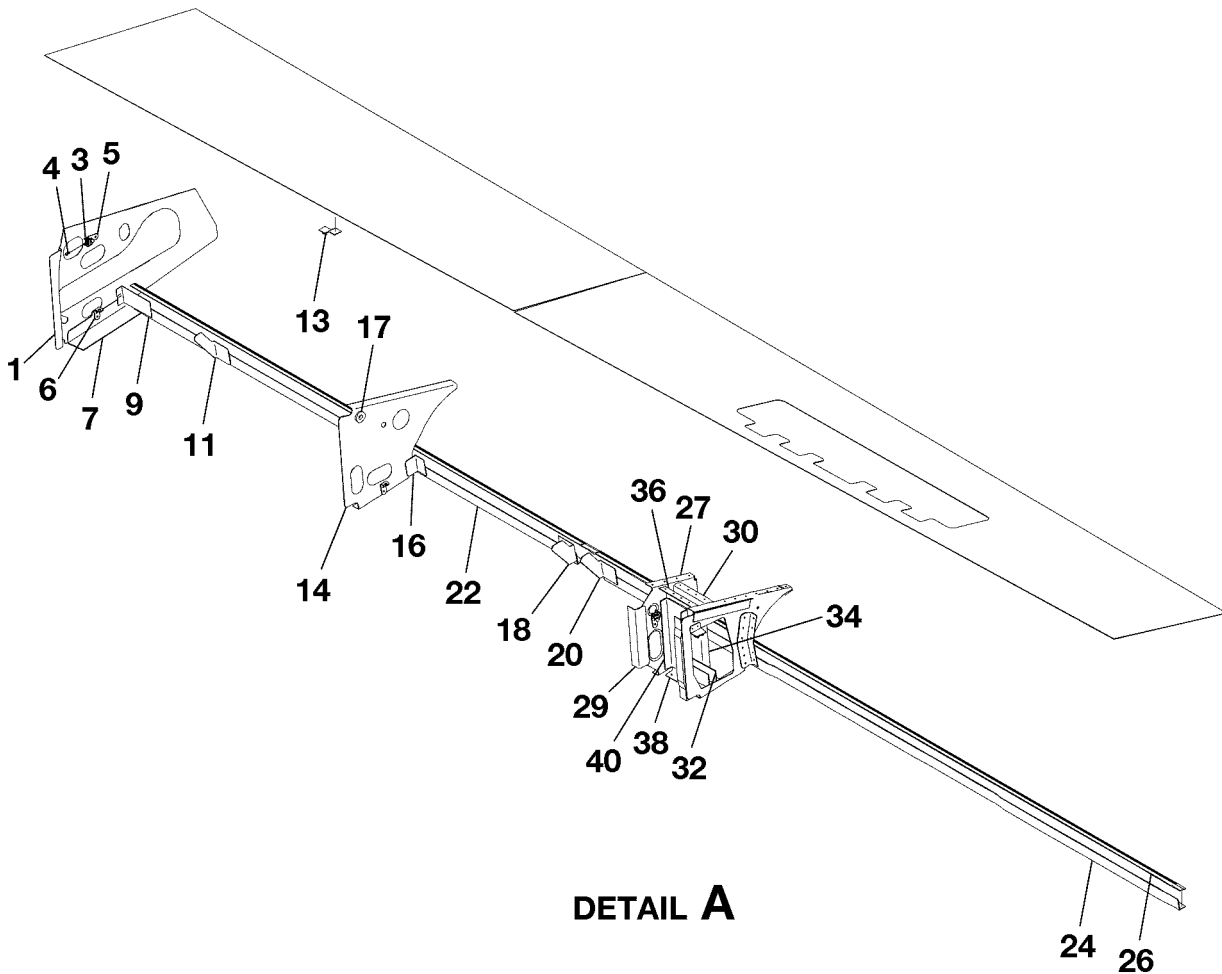
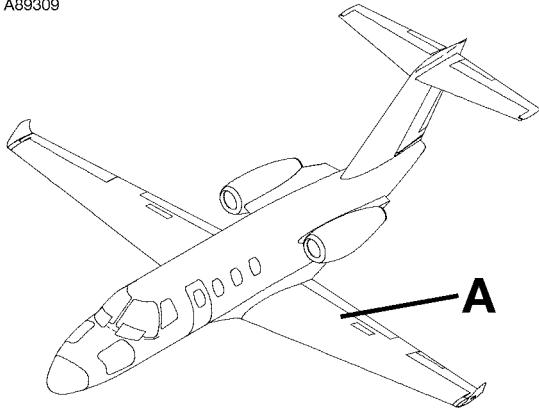
CESSNA®  
**MODEL 525 (SERIALS -0685 AND -0800 AND ON)**  
 ILLUSTRATED PARTS CATALOG

FIG ITEM	PART NUMBER	1 2 3 4 5 6 7	NOMENCLATURE	UNITS
				PER ASSY
01				
75	6322104-7		. . STRAP . . . . .	01
76	6322104-8		. . STRAP . . . . .	01
77	6322104-9		. . STRAP . . . . .	01
78	6322104-10		. . STRAP . . . . .	01
79	6322004-28		. . STALL STRIP . . . . .	01
			ATTACHING PARTS	
80	MS24693-C2		. . SCREW . . . . .	08
			—*—	
- 81	6322104-85		. . RIB ASSY-LH . . . . .	01
- 82	6322104-86		. . RIB ASSY-RH . . . . .	01
83	6322104-89		. . RIB-LH . . . . .	01
- 84	6322104-88		. . RIB-RH . . . . .	01
85	MS21056-3K		. . NUTPLATE . . . . .	02
86	6322104-90		. . COVER . . . . .	01
			ATTACHING PARTS	
87	MS27039C1-06		. . SCREW . . . . .	02
88	MS21060-3		. . NUTPLATE . . . . .	05
			—*—	
89	MS35489-1		. . GROMMET . . . . .	01
90	6322004-41		. . TUBE ASSY-LH . . . . .	01
- 91	6322004-40		. . TUBE ASSY-RH . . . . .	01
92	6322104-75		. . DOUBLER . . . . .	01
- 93	6322104-79		. . BRACKET ASSY . . . . .	01
			ATTACHING PARTS	
94	NAS1102E06-6		. . SCREW . . . . .	02
			—*—	
95	6322104-77		. . BRACKET . . . . .	01
96	MS21069L04		. . NUTPLATE . . . . .	02
97	MS21073-06		. . NUTPLATE . . . . .	02
98	.0033UFD100VDC		. . CAPACITOR . . . . .	01
99	M1220-190-244		. . TEMPERATURE SWITCH . . . . . V82647	01
			ATTACHING PARTS	
100	MS35218-11		. . SCREW . . . . .	02
			—*—	
101	6322420-37		. . PLATE-LH . . . . .	01
- 102	6322420-38		. . PLATE-RH . . . . .	01
103	6322004-37		. . TUBE PLUG . . . . .	01

- ITEM NOT ILLUSTRATED

CESSNA®  
MODEL 525 (SERIALS -0685 AND -0800 AND ON)  
ILLUSTRATED PARTS CATALOG

A89309



TRAILING EDGE INSTALLATION  
FIGURE 01 (SHEET 1)

6310T1168  
A6322T1077

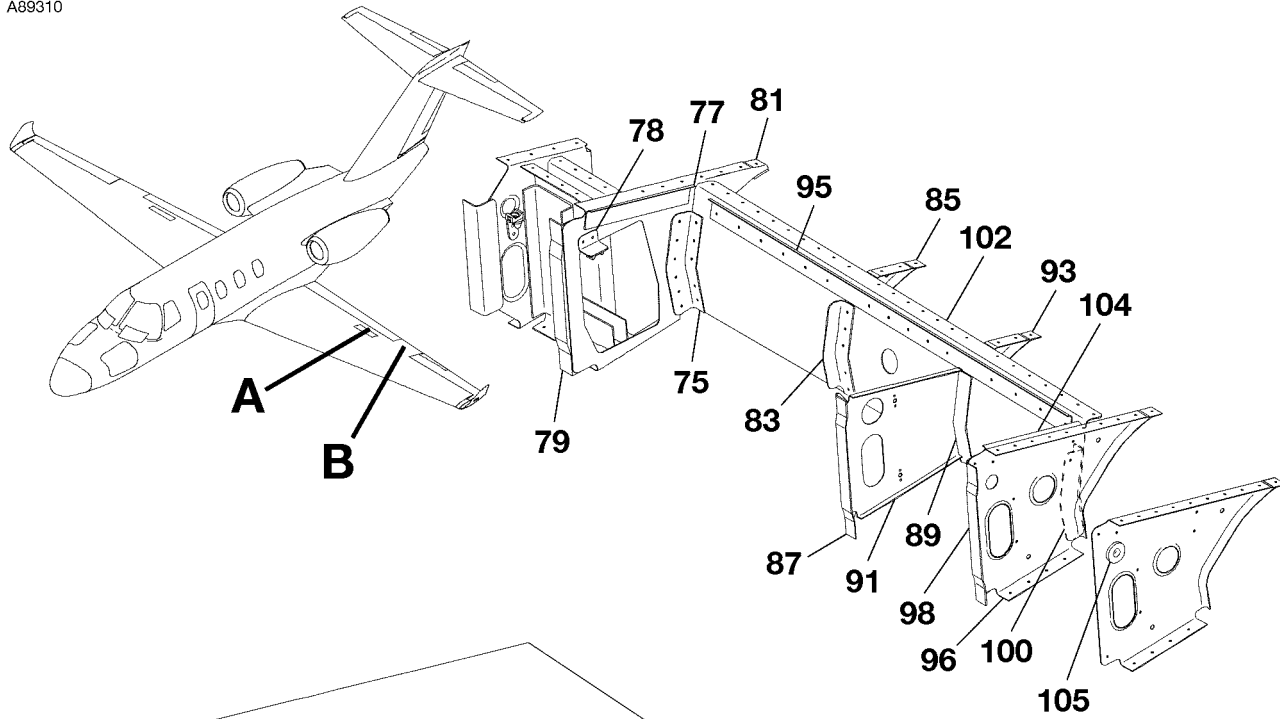
CESSNA®  
**MODEL 525 (SERIALS -0685 AND -0800 AND ON)**  
 ILLUSTRATED PARTS CATALOG

FIG ITEM	PART NUMBER	NOMENCLATURE	UNITS
			PER ASSY
01		TRAILING EDGE INSTALLATION	RF
-			
1	6322110-183	. WING RIB ASSY-LH . . . . .	01
- 2	6322110-184	. WING RIB ASSY-RH . . . . .	01
3	S1741-1	. ANCHOR . . . . .	04
4	S1021A6-6	. SCREW . . . . .	04
5	S1916-1	. NUTPLATE . . . . .	04
6	AN743-13	. BRACKET . . . . .	04
7	6322110-35	. RIB STIFFENER-LH . . . . .	01
- 8	6322110-36	. RIB STIFFENER-RH . . . . .	01
9	6322110-67	. CLIP-LH . . . . .	01
- 10	6322110-68	. CLIP-RH . . . . .	01
11	6322110-145	. CLIP-LH . . . . .	01
- 12	6322110-146	. CLIP-RH . . . . .	01
13	S3529-1B1	. ANCHOR ASSY . . . . .	06
14	6322110-181	. WING RIB-LH . . . . .	01
- 15	6322110-182	. WING RIB-RH . . . . .	01
16	6322110-55	. CLIP . . . . .	02
17	NAS557-8A	. GROMMET . . . . .	04
18	6320368-3	. CLIP-LH . . . . .	01
- 19	6320368-4	. CLIP-RH . . . . .	01
20	6322110-401	. CLIP-LH . . . . .	01
- 21	6322110-402	. CLIP-RH . . . . .	01
22	6322110-149	. FLAP SEAL-LH INBD . . . . .	01
- 23	6322110-150	. FLAP SEAL-RH INBD . . . . .	01
24	6322110-151	. FLAP SEAL-LH OUTBD . . . . .	01
- 25	6322110-152	. FLAP SEAL-RH OUTBD . . . . .	01
26	6322010-8	. BUMPER STRIP . . . . .	02
27	6322110-403	. WING RIB-LH . . . . .	01
- 28	6322110-404	. WING RIB-RH . . . . .	01
29	6322110-85	. STIFFENER . . . . .	02
30	6322110-95	. ACTUATOR SUPPORT-LH AFT UPR . . . . .	01
- 31	6322110-96	. ACTUATOR SUPPORT-RH AFT UPR . . . . .	01
32	6322110-97	. ACTUATOR SUPPORT-LH AFT LWR . . . . .	01
- 33	6322110-98	. ACTUATOR SUPPORT-RH AFT LWR . . . . .	01
34	6322110-65	. ACTUATOR SUPPORT ASSY-LH AFT . . . . .	01
- 35	6322110-66	. ACTUATOR SUPPORT ASSY-RH AFT . . . . .	01
36	6322110-91	. ACTUATOR SUPPORT-LH FWD UPR . . . . .	01
- 37	6322110-92	. ACTUATOR SUPPORT-RH FWD UPR . . . . .	01
38	6322110-93	. ACTUATOR SUPPORT-LH FWD LWR . . . . .	01
- 39	6322110-94	. ACTUATOR SUPPORT-RH FWD LWR . . . . .	01
40	6322110-63	. ACTUATOR SUPPORT ASSY-LH FWD . . . . .	01
- 41	6322110-64	. ACTUATOR SUPPORT ASSY-RH FWD . . . . .	01

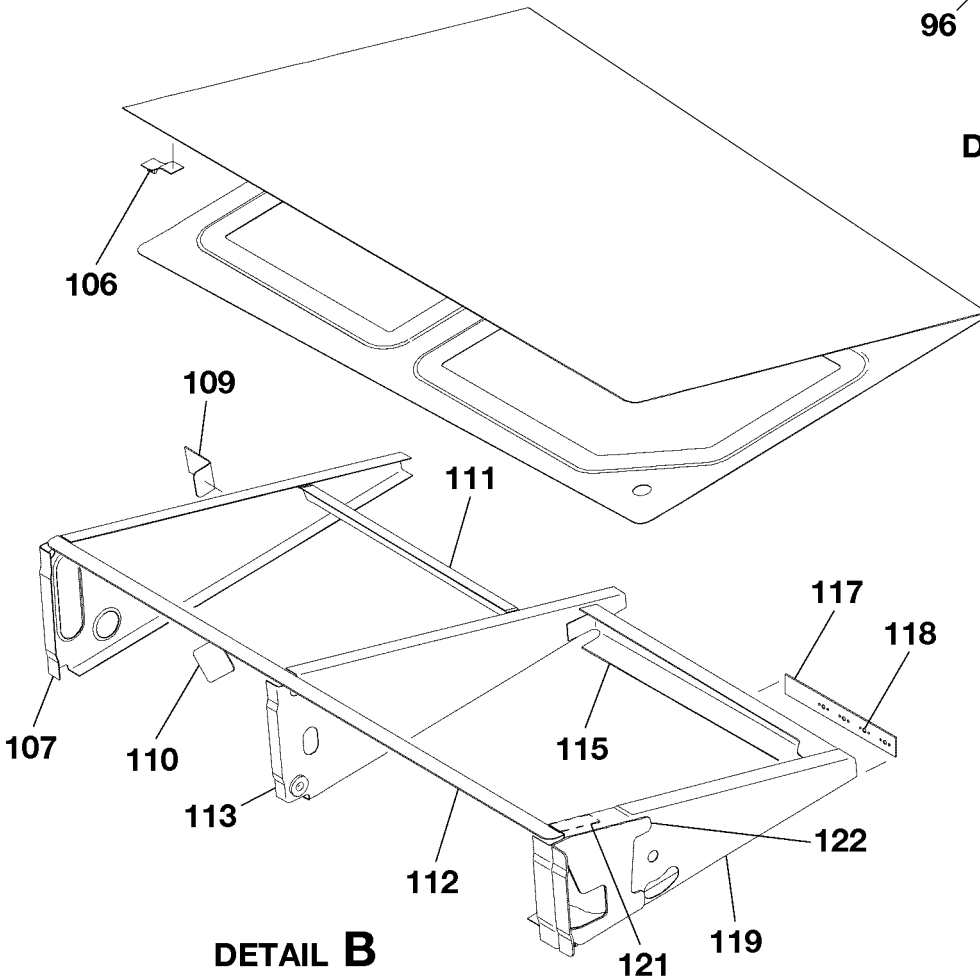
- ITEM NOT ILLUSTRATED

CESSNA®  
**MODEL 525 (SERIALS -0685 AND -0800 AND ON)**  
 ILLUSTRATED PARTS CATALOG

A89310



**DETAIL A**



**DETAIL B**

TRAILING EDGE INSTALLATION  
 FIGURE 01 (SHEET 2)

6310T1168  
 A6322T1078  
 B6322T1079

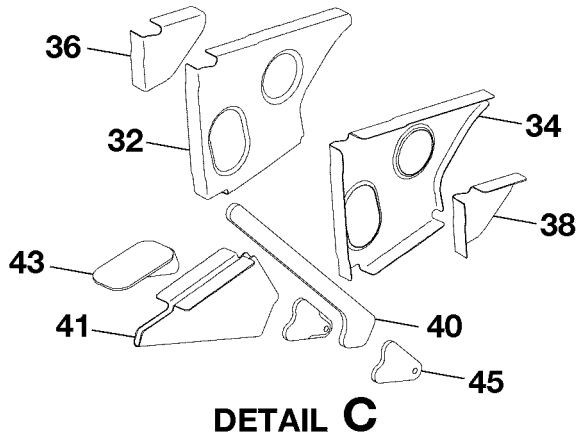
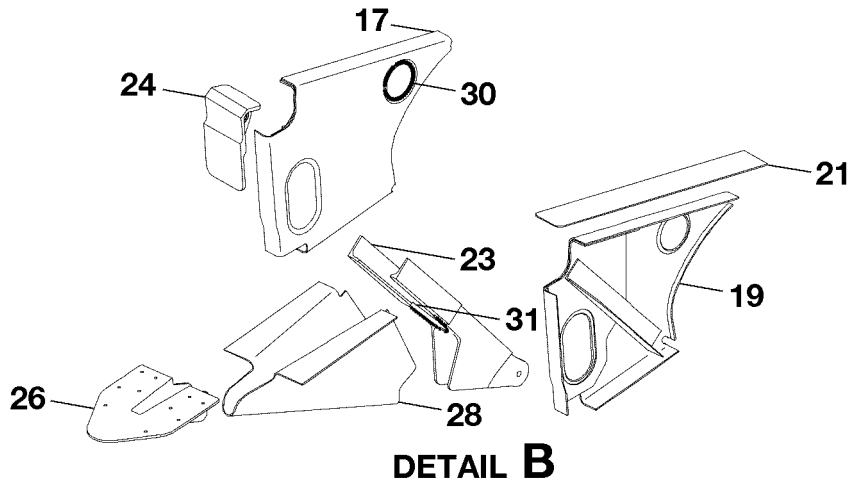
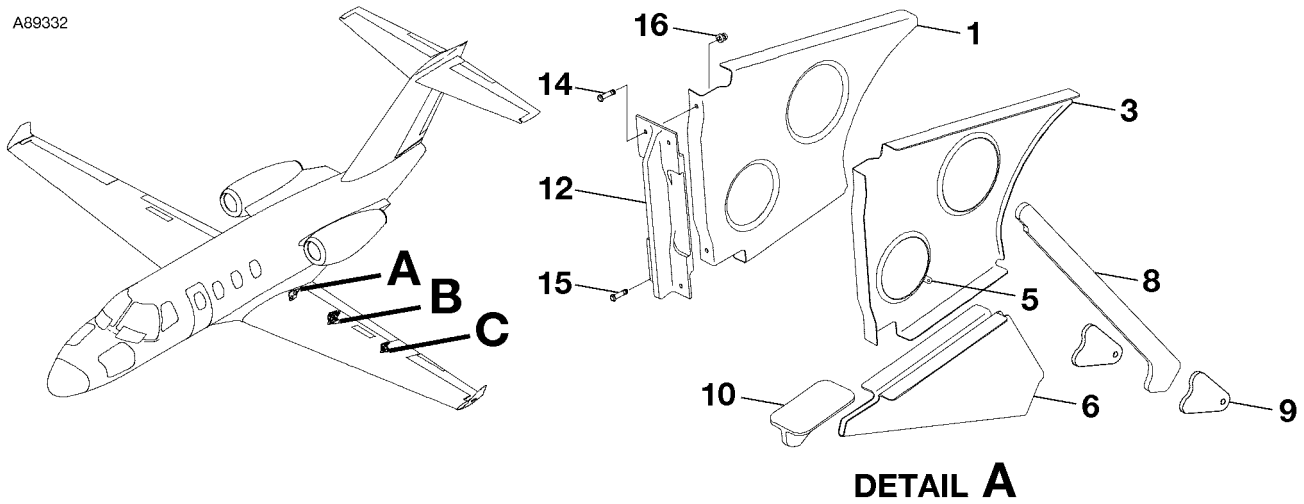
CESSNA®  
**MODEL 525 (SERIALS -0685 AND -0800 AND ON)**  
 ILLUSTRATED PARTS CATALOG

FIG ITEM	PART NUMBER	NOMENCLATURE	UNITS
			PER ASSY
01			
75	6322110-173	. STIFFENER-LH LWR WS 106.17 . . . . .	01
- 76	6322110-174	. STIFFENER-RH LWR WS 106.17 . . . . .	01
77	6322110-59	. DOOR SEAL-INBD . . . . .	02
78	6322110-46	. CLIP ASSY-WS 106.17 . . . . .	02
79	6322110-27	. STIFFENER-LH UPR WS 106.17 . . . . .	01
- 80	6322110-28	. STIFFENER-RH UPR WS 106.17 . . . . .	01
81	6322110-161	. WING RIB-LH WS 106.17 . . . . .	01
- 82	6322110-162	. WING RIB-RH WS 106.17 . . . . .	01
83	6322110-39	. STIFFENER-LH WS 115.80 . . . . .	01
- 84	6322110-40	. STIFFENER-RH WS 115.80 . . . . .	01
85	6322110-163	. WING RIB-LH WS 115.80 . . . . .	01
- 86	6322110-164	. WING RIB-RH WS 115.80 . . . . .	01
87	6322110-29	. STIFFENER-LH UPR . . . . .	01
- 88	6322110-30	. STIFFENER-RH UPR . . . . .	01
89	6322110-113	. STIFFENER-LH LWR . . . . .	01
- 90	6322110-114	. STIFFENER-RH LWR . . . . .	01
91	6322110-11	. WING RIB ASSY-LH FWD . . . . .	01
- 92	6322110-12	. WING RIB ASSY-RH FWD . . . . .	01
93	6322110-167	. WING RIB-LH AFT . . . . .	01
- 94	6322110-168	. WING RIB-RH AFT . . . . .	01
95	6322110-160	. DOOR SEAL-AFT . . . . .	02
96	6322110-165	. WING RIB-LH . . . . .	01
- 97	6322110-166	. WING RIB-RH . . . . .	01
98	6322110-31	. STIFFENER-LH UPR . . . . .	01
- 99	6322110-32	. STIFFENER-RH UPR . . . . .	01
100	6322110-43	. STIFFENER-LH LWR . . . . .	01
- 101	6322110-44	. STIFFENER-RH LWR . . . . .	01
102	6322110-197	. CLOSEOUT PANEL-LH . . . . .	01
- 103	6322110-198	. CLOSEOUT PANEL-RH . . . . .	01
104	6322110-60	. DOOR SEAL-OUTBD . . . . .	02
105	NAS557-8A	. GROMMET . . . . .	04
106	S3529-1B1	. ANCHOR ASSY . . . . .	02
107	6322110-141	. WING RIB-LH . . . . .	01
- 108	6322110-142	. WING RIB-RH . . . . .	01
109	6322110-34	. CLIP . . . . .	02
110	ASMS-A-T	. ANCHOR . . . . . V06383	02
111	6322110-177	. STIFFENER . . . . .	02
112	6322110-121	. SPAR FILLER . . . . .	04
113	6322110-195	. WING RIB-LH . . . . .	01
- 114	6322110-196	. WING RIB-RH . . . . .	01
115	6322112-1	. SPAR-LH . . . . .	01
- 116	6322112-2	. SPAR-RH . . . . .	01
117	6322110-117	. STIFFENER . . . . .	02
118	MS21069L3	. NUTPLATE . . . . .	08
119	6322110-191	. WING RIB-LH . . . . .	01
- 120	6322110-192	. WING RIB-RH . . . . .	01
121	6322010-4	. SPACER-BKI . . . . .	AR
122	6322110-189	. DOUBLER-LH . . . . .	01
- 123	6322110-190	. DOUBLER-RH . . . . .	01

- ITEM NOT ILLUSTRATED

CESSNA®  
**MODEL 525 (SERIALS -0685 AND -0800 AND ON)**  
 ILLUSTRATED PARTS CATALOG

A89332



FLAP ATTACH FITTINGS  
 FIGURE 01 (SHEET 1)

6310T1168  
 A6364T1056  
 B6364T1057  
 C6364T1058

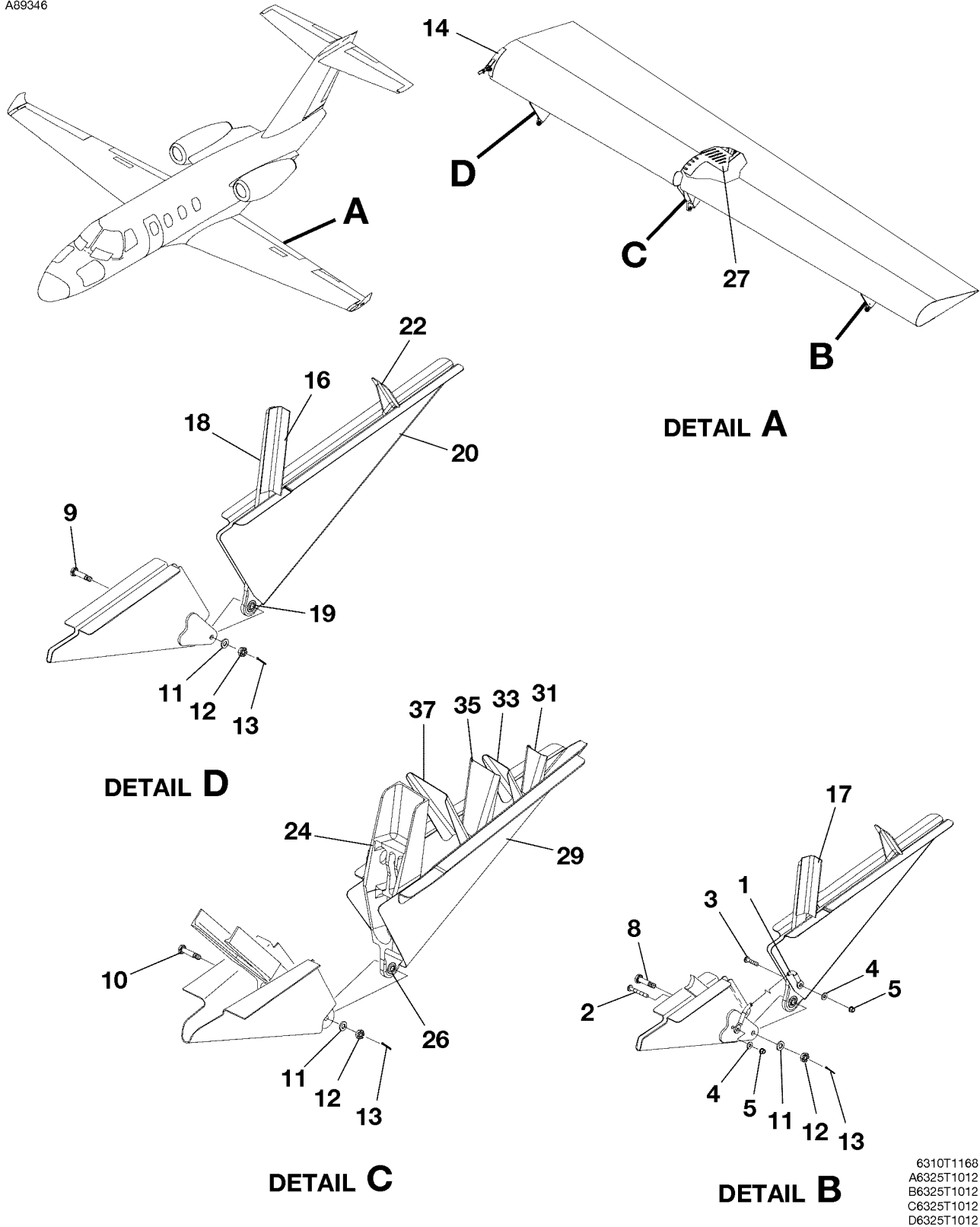
CESSNA®  
**MODEL 525 (SERIALS -0685 AND -0800 AND ON)**  
 ILLUSTRATED PARTS CATALOG

FIG ITEM	PART NUMBER	NOMENCLATURE	UNITS
			PER ASSY
01		FLAP ATTACH FITTINGS	RF
-			
1	6322205-27	. RIB ASSY-LH INBD . . . . .	01
- 2	6322205-28	. RIB ASSY-RH INBD . . . . .	01
3	6322205-25	. RIB ASSY-LH OUTBD . . . . .	01
- 4	6322205-26	. RIB ASSY-RH OUTBD . . . . .	01
5	AN743-13	. BRACKET . . . . .	01
6	6322205-11	. SUPPORT FAIRING-LH . . . . .	01
- 7	6322205-12	. SUPPORT FAIRING-RH . . . . .	01
8	6322205-14	. HINGE BEAM . . . . .	02
9	6322208-21	. PIVOT PLATE . . . . .	04
10	6322208-23	. TEE-LH . . . . .	01
- 11	6322208-24	. TEE-RH . . . . .	01
12	6322205-37	. TEE-LH . . . . .	01
- 13	6322205-38	. TEE-RH . . . . .	01
		ATTACHING PARTS	
14	NAS7036-07	. PIN . . . . .	02
15	NAS7036-08	. PIN . . . . .	02
16	NAS1080K06	. COLLAR . . . . .	04
		—*—	
17	6322206-7	. RIB ASSY-LH INBD . . . . .	01
- 18	6322206-8	. RIB ASSY-RH INBD . . . . .	01
19	6322206-3	. RIB ASSY-LH OUTBD . . . . .	01
- 20	6322206-4	. RIB ASSY-RH OUTBD . . . . .	01
21	6322206-37	. STRAP-LH . . . . .	01
- 22	6322206-38	. STRAP-RH . . . . .	01
23	6322206-35	. PIVOT ARM . . . . .	02
24	6322206-29	. FITTING ASSY-LH . . . . .	01
- 25	6322206-30	. FITTING ASSY-RH . . . . .	01
26	6322206-11	. NOSE-LH . . . . .	01
- 27	6322206-12	. NOSE-RH . . . . .	01
28	6322206-33	. FAIRING-LH . . . . .	01
- 29	6322206-34	. FAIRING-RH . . . . .	01
30	S1050-2	. GROMMET-BKI . . . . .	AR
31	S1050-3	. GROMMET-BKI . . . . .	AR
32	6322208-9	. SUPPORT RIB-LH INBD . . . . .	01
- 33	6322208-10	. SUPPORT RIB-RH INBD . . . . .	01
34	6322208-5	. SUPPORT RIB-LH OUTBD . . . . .	01
- 35	6322208-6	. SUPPORT RIB-RH OUTBD . . . . .	01
36	6322208-19	. DOUBLER-LH INBD . . . . .	01
- 37	6322208-20	. DOUBLER-RH INBD . . . . .	01
38	6322208-17	. DOUBLER-LH OUTBD . . . . .	01
- 39	6322208-18	. DOUBLER-RH OUTBD . . . . .	01
40	6322208-13	. HINGE BEAM . . . . .	02
41	6322208-11	. SUPPORT FAIRING-LH . . . . .	01
- 42	6322208-12	. SUPPORT FAIRING-RH . . . . .	01
43	6322208-23	. TEE-LH . . . . .	01
- 44	6322208-24	. TEE-RH . . . . .	01
45	6322208-21	. PIVOT PLATE . . . . .	04

- ITEM NOT ILLUSTRATED

CESSNA®  
**MODEL 525 (SERIALS -0685 AND -0800 AND ON)**  
 ILLUSTRATED PARTS CATALOG

A89346



FLAPS  
 FIGURE 02 (SHEET 1)

6310T1168  
 A6325T1012  
 B6325T1012  
 C6325T1012  
 D6325T1012



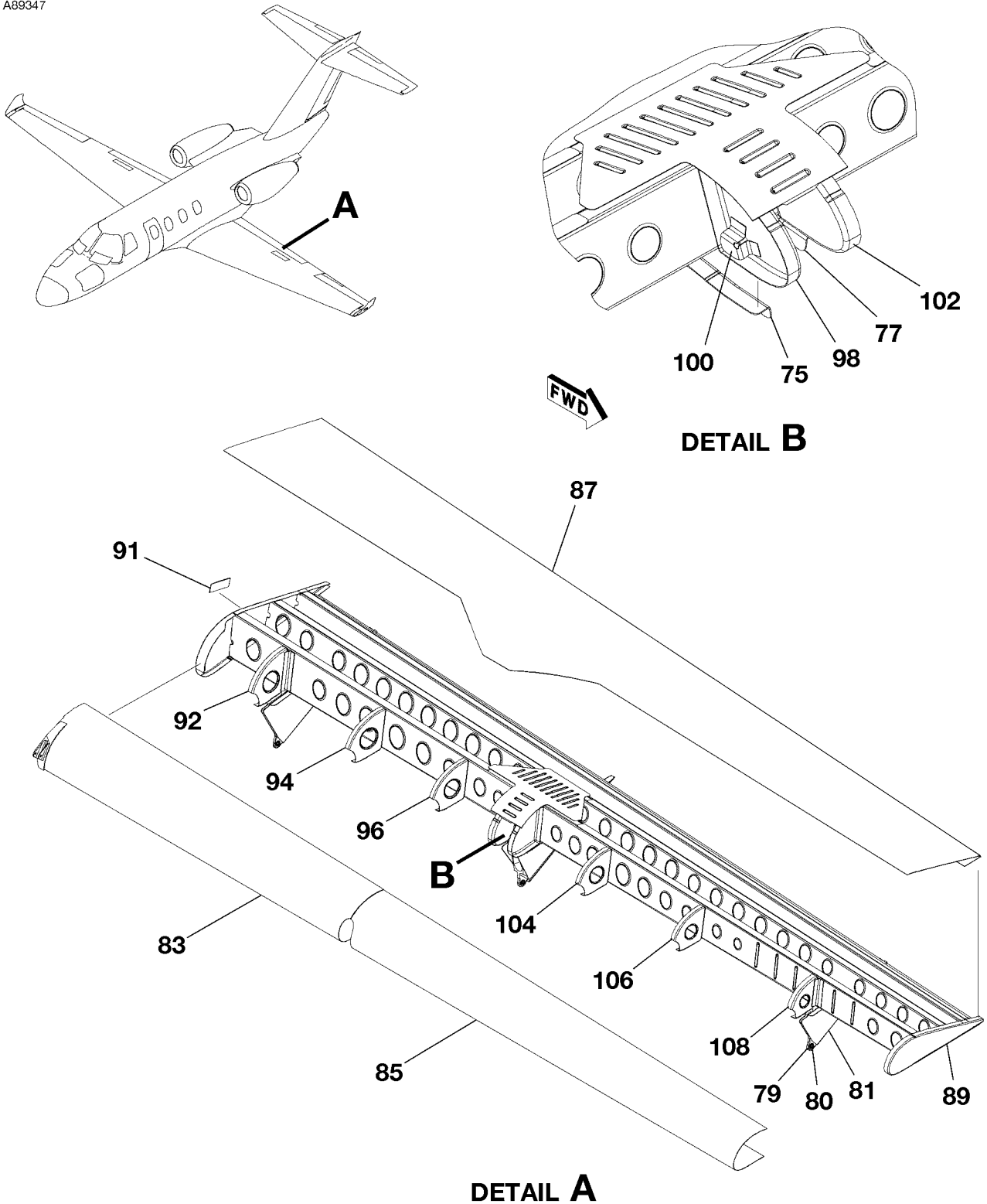
CESSNA®  
**MODEL 525 (SERIALS -0685 AND -0800 AND ON)**  
 ILLUSTRATED PARTS CATALOG

FIG ITEM	PART NUMBER	NOMENCLATURE	UNITS
			PER ASSY
02			
-		FLAPS	
1	S2876-1BB3	JUMPER . . . . .	RF 01
		ATTACHING PARTS	
2	MS35206-250	SCREW . . . . .	01
3	MS35206-247	SCREW . . . . .	01
4	NAS1149FN832P	WASHER . . . . .	02
5	MS21042L08	NUT . . . . .	02
		—*—	
- 6	6325100-81	FLAP ASSY-LH . . . . .	01
- 7	6325100-82	FLAP ASSY-RH . . . . .	01
		ATTACHING PARTS	
8	NAS6204-12D	BOLT . . . . .	01
9	NAS6204-13D	BOLT . . . . .	01
10	NAS6204-14D	BOLT . . . . .	01
11	NAS1149F0463P	WASHER . . . . .	03
12	MS17826-4	NUT . . . . .	03
13	MS24665-134	COTTER PIN . . . . .	03
		—*—	
14	6325100-33	INTERCONNECT CLEVIS-LH . . . . .	01
- 15	6325100-34	INTERCONNECT CLEVIS-RH . . . . .	01
16	6325100-32	HINGE CLIP-INBD . . . . .	01
17	6325100-31	HINGE CLIP-OUTBD . . . . .	01
18	6325010-37	HINGE BEAM ASSY-INBD . . . . .	01
19	MS14104-4	BEARING . . . . .	01
20	6325010-19	FAIRING-LH INBD HINGE . . . . .	01
- 21	6325010-20	FAIRING-RH INBD HINGE . . . . .	01
22	6325010-13	CLIP-LH . . . . .	02
- 23	6325010-14	CLIP-RH . . . . .	02
24	6325010-39	FITTING ASSY-LH CTR HINGE . . . . .	01
- 25	6325010-40	FITTING ASSY-RH CTR HINGE . . . . .	01
26	MS14102-4	BEARING . . . . .	01
27	6325100-35	DOUBLER-LH . . . . .	01
- 28	6325100-36	DOUBLER-RH . . . . .	01
29	6325010-17	FAIRING-LH CTR HINGE . . . . .	01
- 30	6325010-18	FAIRING-RH CTR HINGE . . . . .	01
31	6325010-27	CLIP-LH . . . . .	01
- 32	6325010-28	CLIP-RH . . . . .	01
33	6325010-25	CLIP-LH . . . . .	01
- 34	6325010-26	CLIP-RH . . . . .	01
35	6325010-23	CLIP-LH . . . . .	01
- 36	6325010-24	CLIP-RH . . . . .	01
37	6325010-21	CLIP-LH . . . . .	01
- 38	6325010-22	CLIP-RH . . . . .	01

- ITEM NOT ILLUSTRATED

CESSNA®  
MODEL 525 (SERIALS -0685 AND -0800 AND ON)  
ILLUSTRATED PARTS CATALOG

A89347



FLAPS  
FIGURE 02 (SHEET 2)

6310T1168  
A6325T1012  
B6325T1012

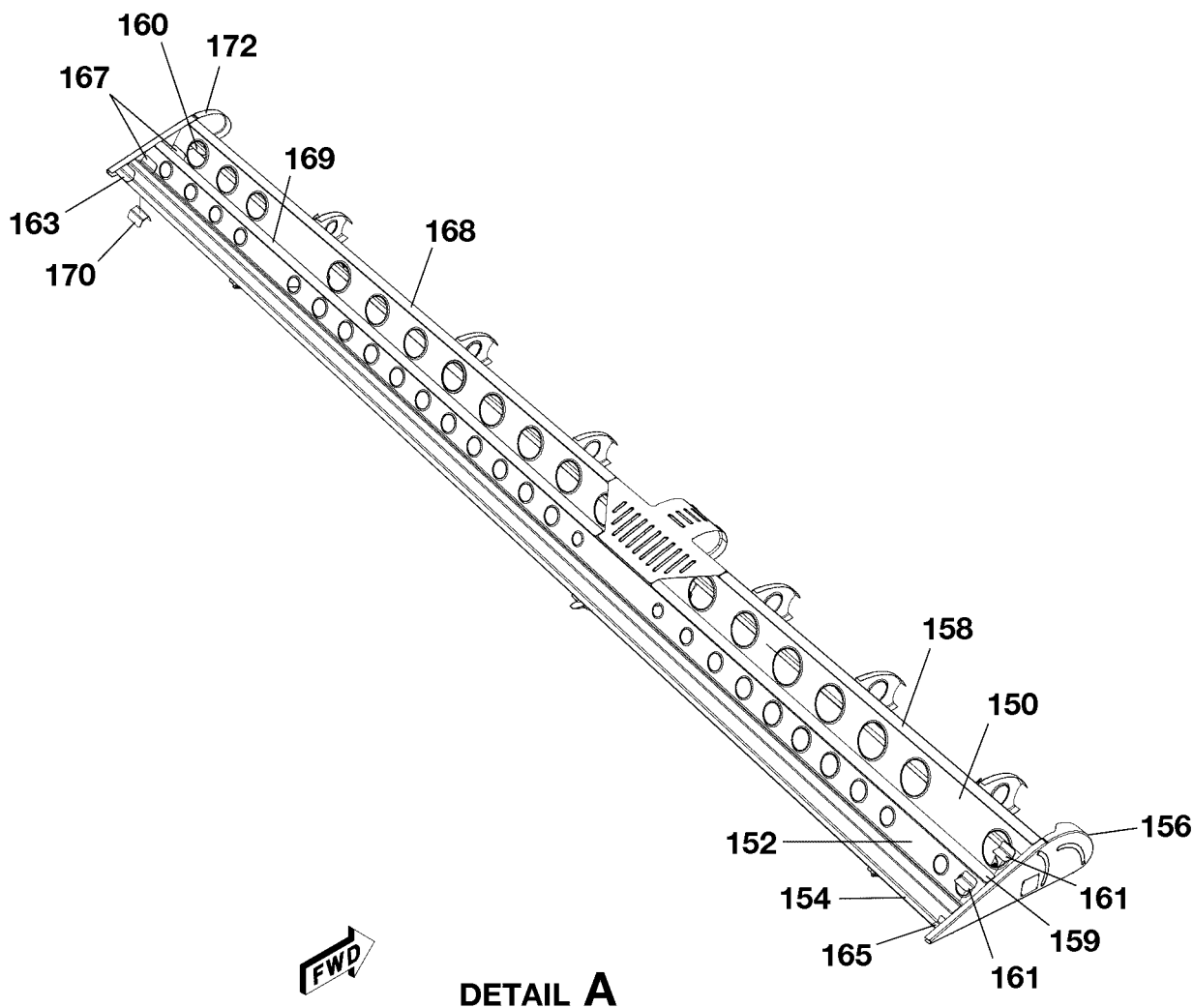
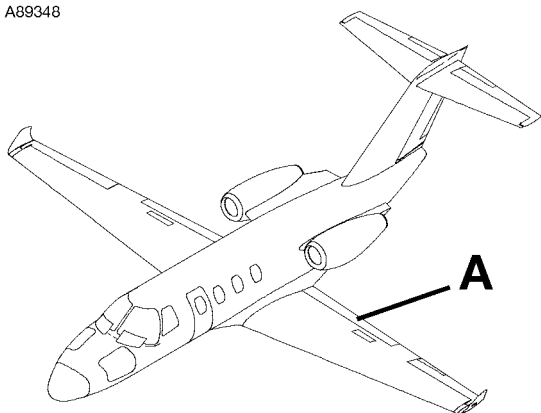
CESSNA®  
**MODEL 525 (SERIALS -0685 AND -0800 AND ON)**  
 ILLUSTRATED PARTS CATALOG

FIG ITEM	PART NUMBER	NOMENCLATURE	UNITS
			PER ASSY
02			
75	6325010-35	. . ANGLE-LH INBD . . . . .	01
- 76	6325010-36	. . ANGLE-RH INBD . . . . .	01
77	6325010-33	. . ANGLE-LH OUTBD . . . . .	01
- 78	6325010-34	. . ANGLE-RH OUTBD . . . . .	01
79	6325010-43	. . HINGE BEAM ASSY-OUTBD . . . . .	01
80	MS14104-4	. . BEARING . . . . .	01
81	6325010-15	. . FAIRING-LH OUTBD HINGE . . . . .	01
- 82	6325010-16	. . FAIRING-RH OUTBD HINGE . . . . .	01
83	6325100-3	. . SKIN-LH INBD LEADING EDGE . . . . .	01
- 84	6325100-4	. . SKIN-RH INBD LEADING EDGE . . . . .	01
85	6325100-5	. . SKIN-LH OUTBD LEADING EDGE . . . . .	01
- 86	6325100-6	. . SKIN-RH OUTBD LEADING EDGE . . . . .	01
87	6325100-47	. . SKIN-LH UPR . . . . .	01
- 88	6325100-48	. . SKIN-RH UPR . . . . .	01
89	6325100-9	. . SKIN-LH LWR . . . . .	01
- 90	6325100-10	. . SKIN-RH LWR . . . . .	01
91	S2674-3	. . PLATE IDENTIFICATION . . . . .	01
92	6325100-29	. . NOSE RIB-LH . . . . .	01
- 93	6325100-30	. . NOSE RIB-RH . . . . .	01
94	6325100-27	. . NOSE RIB-LH . . . . .	01
- 95	6325100-28	. . NOSE RIB-RH . . . . .	01
96	6325100-25	. . NOSE RIB-LH . . . . .	01
- 97	6325100-26	. . NOSE RIB-RH . . . . .	01
98	6325100-23	. . NOSE RIB-LH . . . . .	01
- 99	6325100-24	. . NOSE RIB-RH . . . . .	01
100	6325100-43	. . BOLT RETAINER LH . . . . .	01
- 101	6325100-44	. . BOLT RETAINER-RH . . . . .	01
102	6325100-21	. . NOSE RIB-LH . . . . .	01
- 103	6325100-22	. . NOSE RIB-RH . . . . .	01
104	6325100-19	. . NOSE RIB-LH . . . . .	01
- 105	6325100-20	. . NOSE RIB-RH . . . . .	01
106	6325100-17	. . NOSE RIB-LH . . . . .	01
- 107	6325100-18	. . NOSE RIB-RH . . . . .	01
108	6325100-15	. . NOSE RIB-LH . . . . .	01
- 109	6325100-16	. . NOSE RIB-RH . . . . .	01

- ITEM NOT ILLUSTRATED

CESSNA®  
MODEL 525 (SERIALS -0685 AND -0800 AND ON)  
ILLUSTRATED PARTS CATALOG

A89348



**DETAIL A**

FLAPS  
FIGURE 02 (SHEET 3)

6310T1168  
A6325T1012

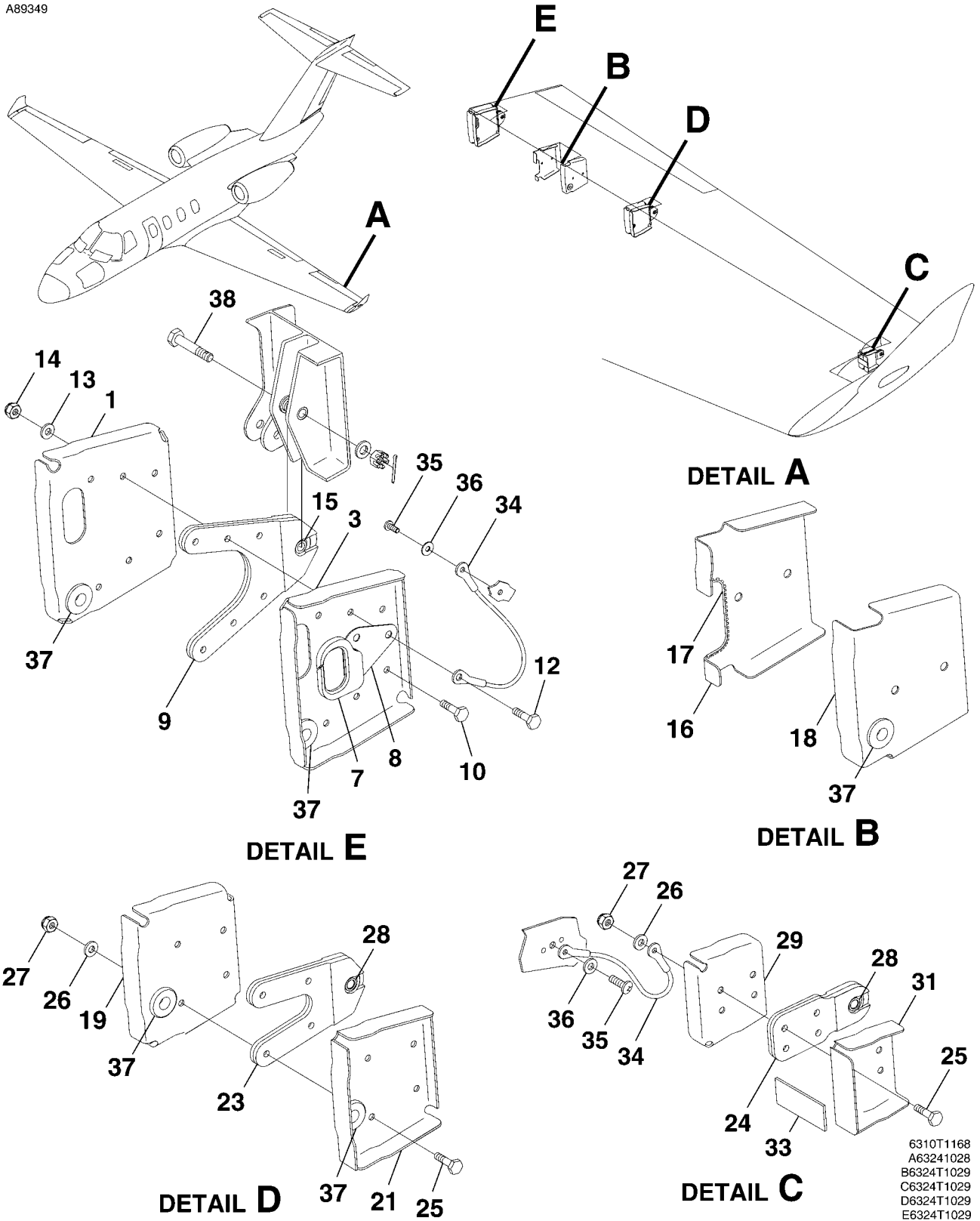
CESSNA®  
**MODEL 525 (SERIALS -0685 AND -0800 AND ON)**  
 ILLUSTRATED PARTS CATALOG

FIG ITEM	PART NUMBER	NOMENCLATURE	UNITS
			PER ASSY
02			
150	6325100-55	. . SPAR-LH FWD . . . . .	01
- 151	6325100-56	. . SPAR-RH FWD . . . . .	01
152	6325100-57	. . SPAR-LH CTR . . . . .	01
- 153	6325100-58	. . SPAR-RH CTR . . . . .	01
154	6325100-79	. . SPAR-LH AFT . . . . .	01
- 155	6325100-80	. . SPAR-RH AFT . . . . .	01
156	6325100-63	. . END RIB-LH INBD . . . . .	01
- 157	6325100-64	. . END RIB-RH INBD . . . . .	01
158	6325100-71	. . INBD SHIM-FWD SPAR . . . . .	01
159	6325100-72	. . INBD SHIM-CTR SPAR . . . . .	01
160	6325305-42	. . BRACKET-FWD LWR SPAR . . . . .	02
161	6325305-43	. . BRACKET-LH LWR SPAR . . . . .	02
- 162	6325305-44	. . BRACKET-RH LWR SPAR . . . . .	02
163	6325305-46	. . BRACKET-LH LWR SPAR . . . . .	02
- 164	6325305-54	. . BRACKET-RH LWR SPAR . . . . .	02
165	6325100-75	. . BRACKET-LH AFT INBD . . . . .	01
- 166	6325100-76	. . BRACKET-RH AFT INBD . . . . .	01
167	6325305-53	. . BRACKET-LWR SPAR OUTBD . . . . .	02
168	6325100-73	. . OUTBD SHIM-FWD SPAR . . . . .	01
169	6325100-74	. . OUTBD SHIM-CTR SPAR . . . . .	01
170	6325100-77	. . BRACKET-LH AFT OUTBD . . . . .	01
- 171	6325100-78	. . BRACKET-RH AFT OUTBD . . . . .	01
172	6325100-11	. . END RIB-LH OUTBD . . . . .	01
- 173	6325100-12	. . END RIB-RH OUTBD . . . . .	01

- ITEM NOT ILLUSTRATED

CESSNA®  
**MODEL 525 (SERIALS -0685 AND -0800 AND ON)**  
 ILLUSTRATED PARTS CATALOG

A89349



**AILERON ATTACH FITTINGS**  
 FIGURE 01 (SHEET 1)

6310T1168  
 A63241028  
 B6324T1029  
 C6324T1029  
 D6324T1029  
 E6324T1029

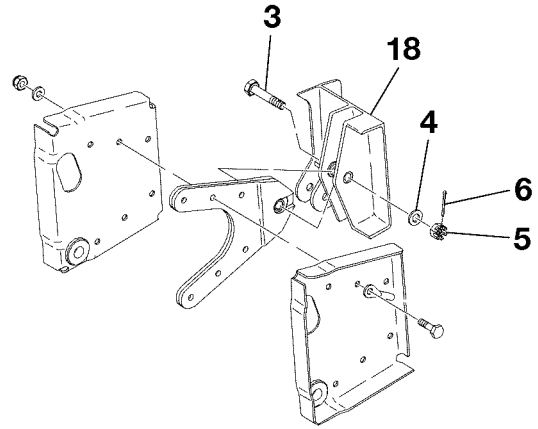
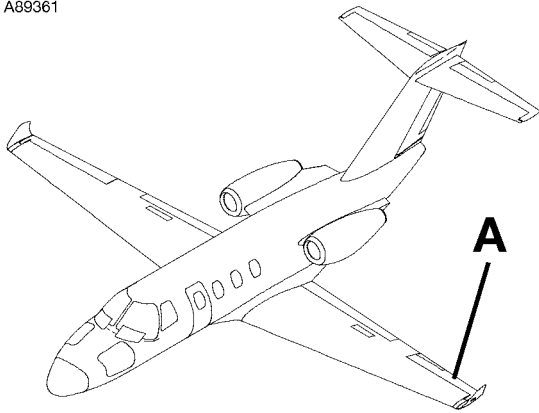
CESSNA®  
**MODEL 525 (SERIALS -0685 AND -0800 AND ON)**  
 ILLUSTRATED PARTS CATALOG

FIG ITEM	PART NUMBER	NOMENCLATURE	UNITS
			PER ASSY
		1 2 3 4 5 6 7	
01		AILERON ATTACH FITTINGS	RF
-			
1	6322207-33	. HINGE BRACKET-LH INBOARD . . . . .	01
- 2	6322207-34	. HINGE BRACKET-RH INBOARD . . . . .	01
3	6322207-31	. HINGE BRACKET-LH OUTBOARD . . . . .	01
- 4	6322207-32	. HINGE BRACKET-RH OUTBOARD . . . . .	01
- 5	6361113-36	. FAIRLEAD ASSY-LH . . . . .	01 R
- 6	6361113-35	. FAIRLEAD ASSY-LH . . . . .	01 R
7	6361113-37	. FAIRLEAD . . . . .	01 R
8	6361113-38	. BRACKET . . . . .	01 R
9	6322207-25	. BEARING PLATE ASSY . . . . .	02 R
		ATTACHING PARTS	
10	AN3-6A	. BOLT-LH . . . . .	04 R
- 11	AN3-6A	. BOLT-RH . . . . .	06 R
12	AN3-7A	. BOLT-LH . . . . .	02 R
13	NAS1149C0363R	. WASHER . . . . .	06 R
14	MS21044N3	. NUT . . . . .	06 R
		—*—	
15	MS27641-4	. BEARING . . . . .	01 R
- 15A	MS20201KP4A	. BEARING ALT FOR MS27641-4 . . . . .	01 R
16	6322207-23	. SUPPORT RIB-LH INBOARD . . . . .	01 R
17	S1050-1	. GROMMET-BKI . . . . .	AR R
18	6322207-21	. SUPPORT RIB-LH OUTBOARD . . . . .	01 R
19	6322207-9	. HINGE BRACKET-LH INBOARD . . . . .	01 R
- 20	6322207-10	. HINGE BRACKET-RH INBOARD . . . . .	01 R
21	6322207-7	. HINGE BRACKET-LH OUTBOARD . . . . .	01 R
- 22	6322207-8	. HINGE BRACKET-RH OUTBOARD . . . . .	01 R
23	6522068-1	. BEARING PLATE ASSY . . . . .	02 R
24	6534003-66	. BEARING PLATE ASSY . . . . .	02 R
		ATTACHING PARTS	
25	AN3-6A	. BOLT . . . . .	04 R
26	NAS1149C0363R	. WASHER . . . . .	04 R
27	MS21044N3	. NUT . . . . .	04 R
		—*—	
28	MS27641-4	. BEARING . . . . .	01 R
- 28A	MS20201KP4A	. BEARING ALT FOR MS27641-4 . . . . .	01 R
29	6322207-5	. HINGE BRACKET-LH INBOARD . . . . .	01 R
- 30	6322207-6	. HINGE BRACKET-RH INBOARD . . . . .	01 R
31	6322207-3	. HINGE BRACKET-LH OUTBOARD . . . . .	01 R
- 32	6322207-4	. HINGE BRACKET-RH OUTBOARD . . . . .	01 R
33	6322207-19	. SHIM . . . . .	02 R
34	MS25083-2AB5	. JUMPER ASSY-AILERON TO WING . . . . .	04 R
		ATTACHING PARTS	
35	MS35206-228	. SCREW . . . . .	01 R
36	AN961-6T	. WASHER . . . . .	01 R
		—*—	
37	MS35489-11	. GROMMET . . . . .	10 R
38		. BOLT-AILERON ATTACH REFER TO 57-60-00 FIGURE 02 . . . . .	RF R

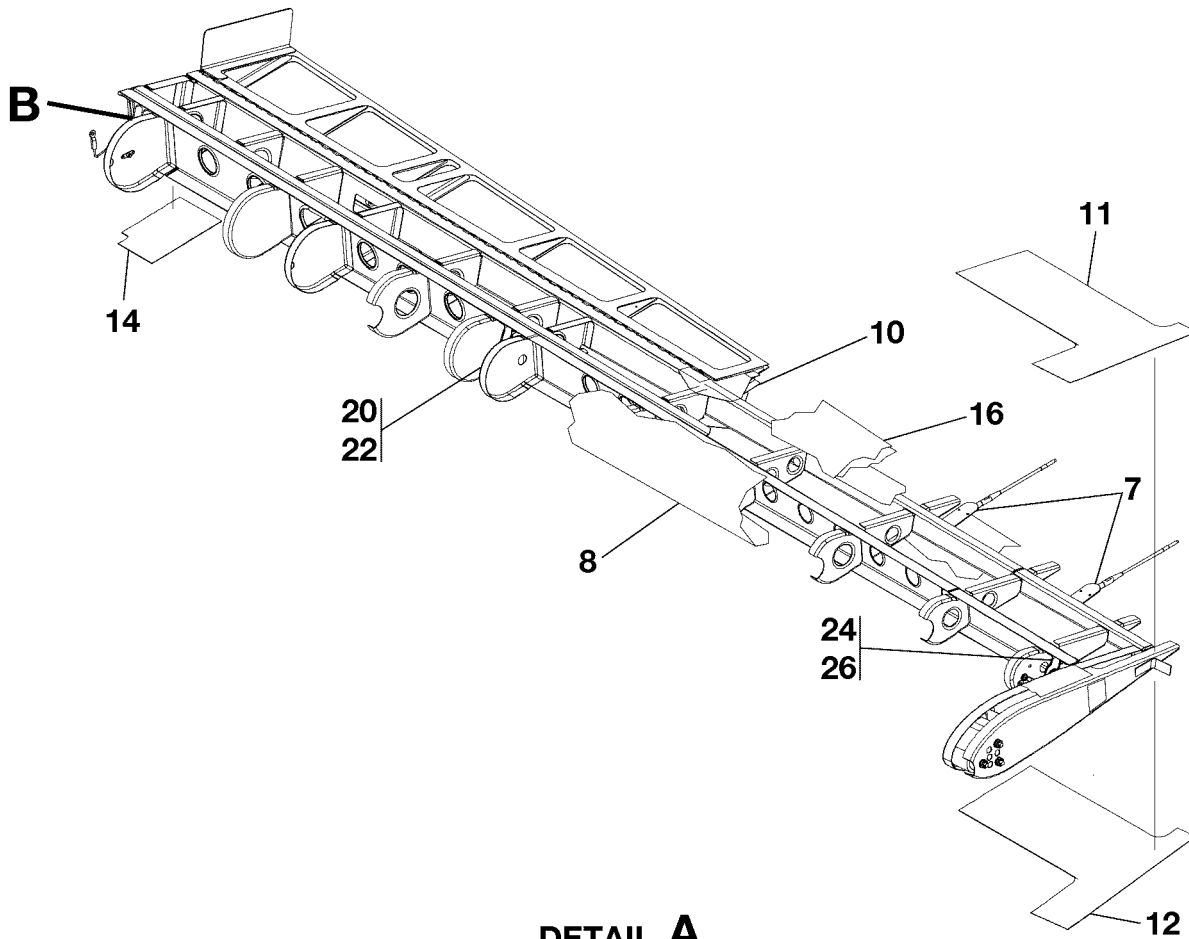
- ITEM NOT ILLUSTRATED

CESSNA®  
MODEL 525 (SERIALS -0685 AND -0800 AND ON)  
ILLUSTRATED PARTS CATALOG

A89361



**DETAIL B**



**DETAIL A**

6310T1168  
A6324T1017  
B6324T1002

AILERON AND TRIM TAB INSTALLATION  
FIGURE 02 (SHEET 1)



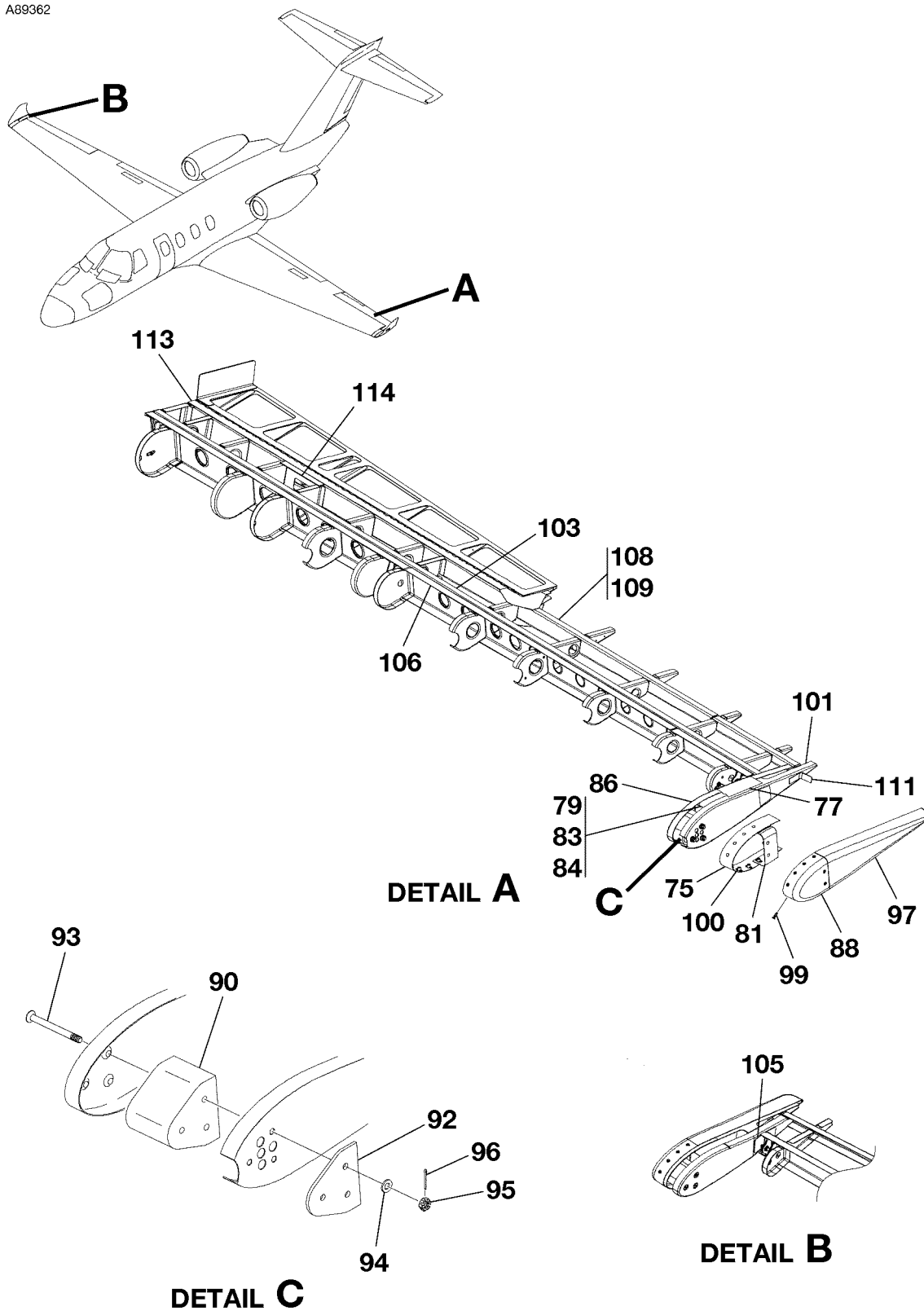
CESSNA®  
**MODEL 525 (SERIALS -0685 AND -0800 AND ON)**  
 ILLUSTRATED PARTS CATALOG

FIG ITEM	PART NUMBER	NOMENCLATURE	UNITS PER ASSY		
			1	2	3
02		AILERON AND TRIM TAB INSTALLATION			RF
- 1	6324110-15	. AILERON ASSY-LH . . . . .	0800	0877	01 R
- 1A	6324001-33	. AILERON ASSY-LH . . . . .	0878	& ON	01 R
- 2	6324001-32	. AILERON ASSY-RH . . . . .	0800	0877	01 R
- 2A	6324001-34	. AILERON ASSY-RH . . . . .	0878	& ON	01 R
		ATTACHING PARTS			
3	AN4-12	. BOLT . . . . .			03
4	NAS1149C0463R	. WASHER . . . . .			03
5	MS17825-4	. NUT . . . . .			03
6	MS24665-134	. COTTER PIN . . . . .			03
		*_			
7		. . . . . BASE-STATIC WICK REFER TO 23-60-00 FIGURE 01 . . . . .			RF
8	6324001-23	. . . . . SKIN-LH LEADING EDGE . . . . .			01
- 9	6324001-24	. . . . . SKIN-RH LEADING EDGE . . . . .			01
10	6324110-10	. . . . . DOUBLER-LH . . . . .			02
11	6324110-8	. . . . . DOUBLER-LH UPPER OUTBOARD . . . . .			01
12	6324110-9	. . . . . DOUBLER-LH LOWER OUTBOARD . . . . .			01
- 13	6324001-11	. . . . . DOUBLER-RH OUTBOARD . . . . .			02
14	6324110-7	. . . . . DOUBLER-LH LOWER INBOARD . . . . .			01
- 15	6324001-7	. . . . . DOUBLER-RH INBOARD . . . . .			01
16	6324110-12	. . . . . SKIN-LH TRAILING EDGE . . . . .			01
- 17	6324001-29	. . . . . SKIN-RH TRAILING EDGE . . . . .			01
18	6324003-29	. . . . . BRACKET ASSY-LH . . . . .			01
- 19	6324003-30	. . . . . BRACKET ASSY-RH . . . . .			01
20	6324003-7	. . . . . BRACKET ASSY-LH . . . . .			01
- 21	6324003-8	. . . . . BRACKET ASSY-RH . . . . .			01
22	6324003-11	. . . . . BRACKET ASSY-LH . . . . .			01
- 23	6324003-12	. . . . . BRACKET ASSY-RH . . . . .			01
24	6324003-15	. . . . . BRACKET ASSY-LH . . . . .			01
- 25	6324003-16	. . . . . BRACKET ASSY-RH . . . . .			01
26	6324003-19	. . . . . BRACKET ASSY-LH . . . . .			01
- 27	6324003-20	. . . . . BRACKET ASSY-RH . . . . .			01
- 28	5522876-1	. . . . . SPACER . . . . .			01

- ITEM NOT ILLUSTRATED

CESSNA®  
**MODEL 525 (SERIALS -0685 AND -0800 AND ON)**  
 ILLUSTRATED PARTS CATALOG

A89362



AILERON AND TRIM TAB INSTALLATION  
 FIGURE 02 (SHEET 2)

6310T1168  
 A6324T1018  
 B6324T1018  
 C6324T1002

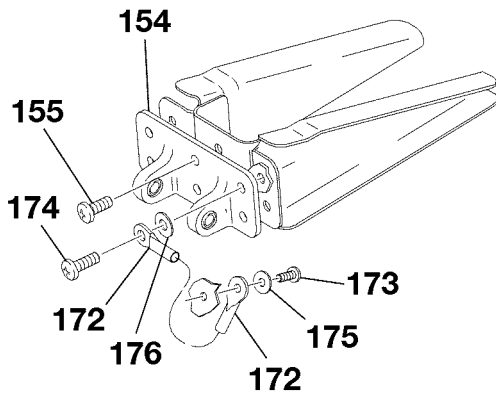
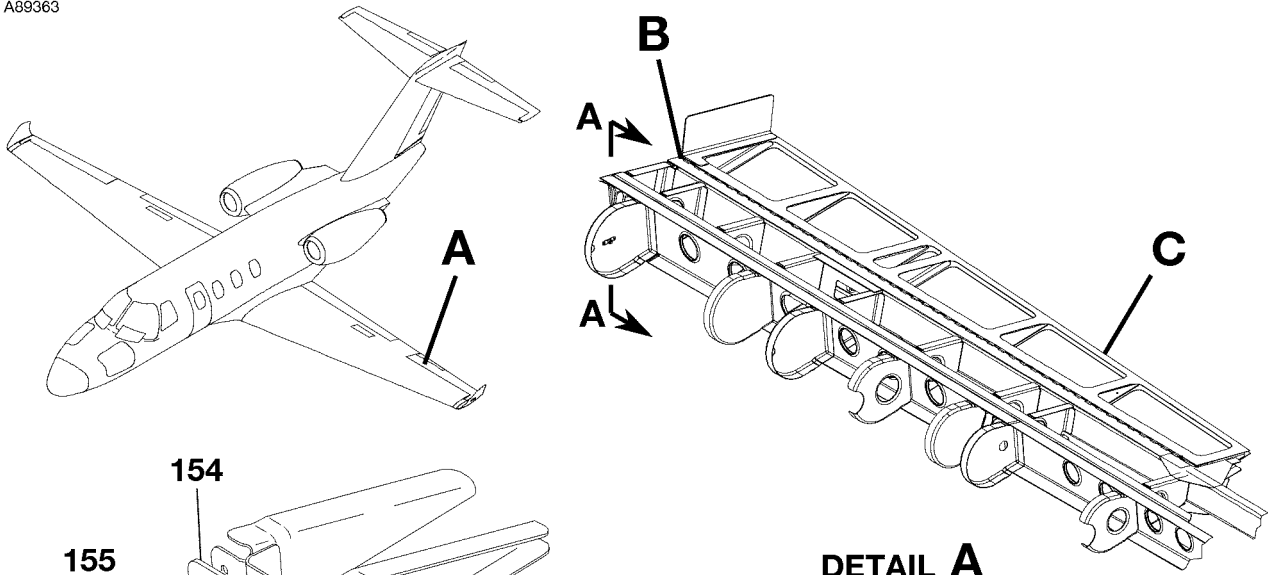
CESSNA®  
**MODEL 525 (SERIALS -0685 AND -0800 AND ON)**  
 ILLUSTRATED PARTS CATALOG

FIG ITEM	PART NUMBER	NOMENCLATURE	UNITS
			PER ASSY
		1 2 3 4 5 6 7	
02			
75	6324006-11	. . . SPLICE-LH . . . . .	01
- 76	6324006-12	. . . SPLICE-RH . . . . .	01
77	6324006-13	. . . TIP SKIN-LH . . . . .	01
- 78	6324006-14	. . . TIP SKIN-RH . . . . .	01
79	6324006-15	. . . BULKHEAD-LH . . . . .	01
- 80	6324006-16	. . . BULKHEAD-RH . . . . .	01
81	6324006-17	. . . SPLICE-LH . . . . .	01
- 82	6324006-18	. . . SPLICE-RH . . . . .	01
83	6324006-19	. . . BULKHEAD . . . . .	01
84	6324006-28	. . . CLIP-LH . . . . .	01
- 85	6324006-20	. . . CLIP-RH . . . . .	01
86	6324006-29	. . . TIP RIB-LH . . . . .	01
- 87	6324006-10	. . . TIP RIB-RH . . . . .	01
88	6324006-3	. . . BOND ASSY-LH FWD CAP . . . . .	01
- 89	6324006-4	. . . BOND ASSY-RH FWD CAP . . . . .	01
90	6324006-33	. . . BALANCE WEIGHT-LH . . . . .	01
- 91	6324006-32	. . . BALANCE WEIGHT-RH . . . . .	01
92	6324006-35	. . . TRIM WEIGHT-LH . . . . .	01
		ATTACHING PARTS	
93	NAS334CP25	. . . BOLT . . . . .	03
94	NAS1149F0463P	. . . WASHER . . . . .	03
95	AN320-4	. . . NUT . . . . .	03
96	MS24665-134	. . . COTTER PIN . . . . .	03
		—*—	
97	6324006-5	. . . BOND ASSY-LH AFT CAP . . . . .	01
- 98	6324006-6	. . . BOND ASSY-RH AFT CAP . . . . .	01
		ATTACHING PARTS	
99	MS24694C6	. . . SCREW . . . . .	10
100	MS21069L08	. . . NUTPLATE . . . . .	10
		—*—	
101	6324006-9	. . . TIP RIB-LH . . . . .	01
- 102	6324006-8	. . . TIP RIB-RH . . . . .	01
103	6324004-17	. . . AUXILIARY SPAR-LH . . . . .	01
- 104	6324004-6	. . . AUXILIARY SPAR-RH . . . . .	01
105	6324004-7	. . . TEE . . . . .	01
106	6324004-8	. . . MAIN SPAR-LH . . . . .	01
- 107	6324004-4	. . . MAIN SPAR-RH . . . . .	01
108	MS21048L06	. . . NUTPLATE-LH . . . . .	01
109	6324115-2	. . . REAR SPAR-LH . . . . .	01
- 110	6324005-4	. . . REAR SPAR-RH . . . . .	01
111	6324115-5	. . . CLIP-LH . . . . .	01
- 112	6324005-5	. . . ANGLE-RH . . . . .	01
113	6324115-3	. . . HINGE HALF-LH . . . . .	01
114	6324115-4	. . . DOUBLER-LH . . . . .	01

- ITEM NOT ILLUSTRATED

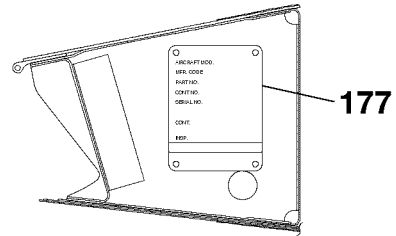
CESSNA®  
**MODEL 525 (SERIALS -0685 AND -0800 AND ON)**  
 ILLUSTRATED PARTS CATALOG

A89363

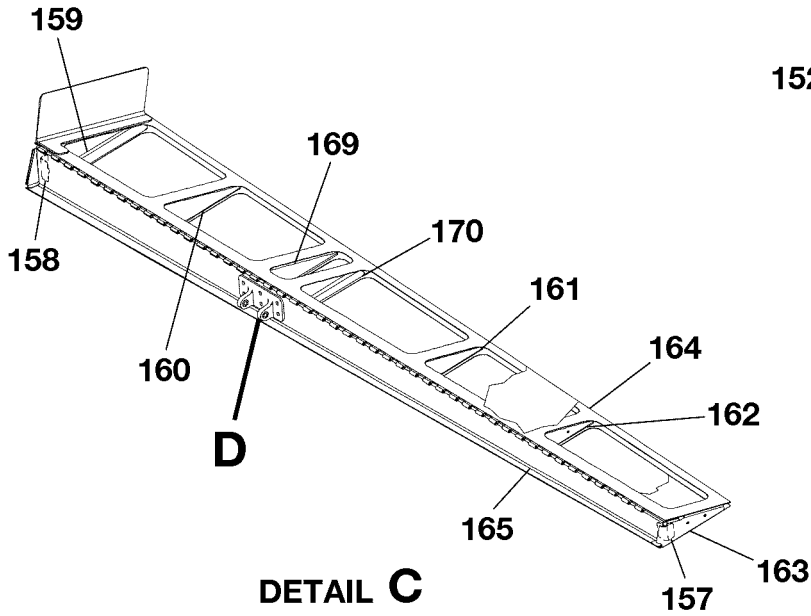


**DETAIL D**

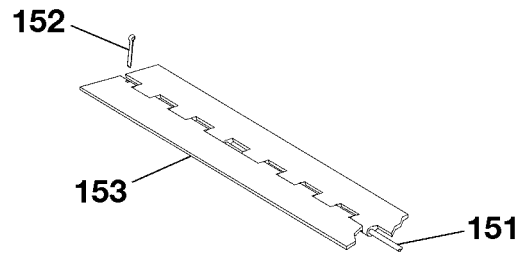
**DETAIL A**



**VIEW A-A**



**DETAIL C**



**DETAIL B**

**AILERON AND TRIM TAB INSTALLATION**  
 FIGURE 02 (SHEET 3)

6310T1168  
 A6324T1018  
 B6324T1019  
 C6324T1002  
 D6324T1002  
 AA6324T1030

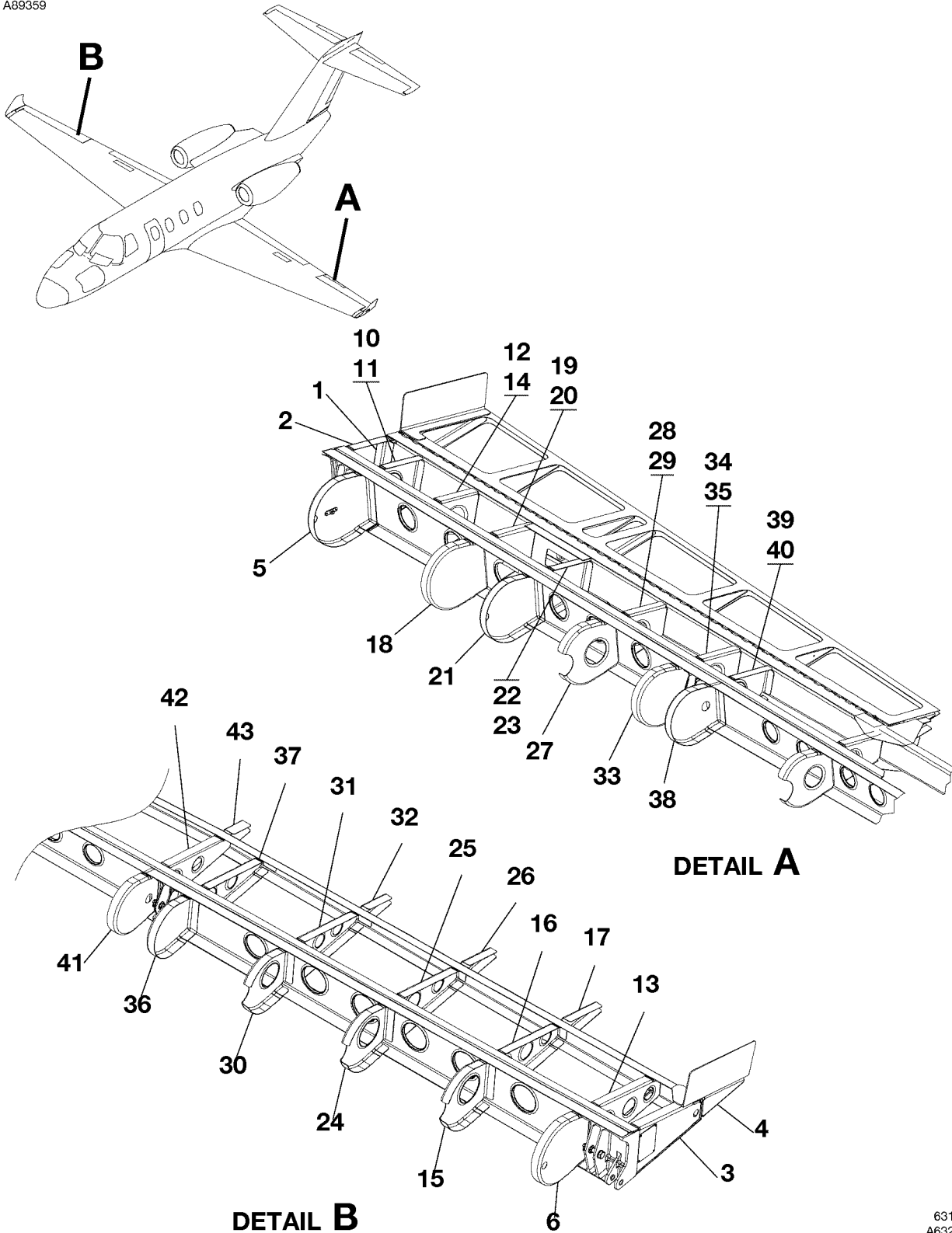
CESSNA®  
**MODEL 525 (SERIALS -0685 AND -0800 AND ON)**  
 ILLUSTRATED PARTS CATALOG

FIG ITEM	PART NUMBER	NOMENCLATURE	UNITS
			PER ASSY
		1 2 3 4 5 6 7	
02			
- 150	6324130-1	. . . AILERON TRIM TAB ASSY-LH . . . . .	01
		. . . ATTACHING PARTS	
151	MS20253P2-4585L	. . . HINGE PIN . . . . .	01
152	MS24665-132	. . . COTTER PIN . . . . .	02
		_*_	
153	6324130-3	. . . HINGE HALF . . . . .	01
154	6324130-12	. . . HORN ASSY . . . . .	01
		. . . ATTACHING PARTS	
155	MS35207-263	. . . SCREW . . . . .	05
		_*_	
- 156	S1997-3G4	. . . BEARING . . . . . V60380	02
157	6324130-17	. . . CLIP . . . . .	01
158	6324130-22	. . . CLIP . . . . .	01
159	6324130-11	. . . RIB . . . . .	01
160	6324130-10	. . . RIB . . . . .	01
161	6324130-7	. . . RIB . . . . .	01
162	6324130-6	. . . RIB . . . . .	01
163	6324130-5	. . . RIB . . . . .	01
164	6324130-2	. . . SKIN BOND ASSY . . . . .	01
165	6324130-4	. . . SPAR ASSY . . . . .	01
- 166	MS21047L3	. . . NUTPLATE . . . . .	02
- 167	6324130-14	. . . SPAR . . . . .	01
- 168	6324130-21	. . . CLIP . . . . .	01
169	6324130-9	. . . RIB ASSY . . . . .	01
170	6324130-8	. . . RIB ASSY . . . . .	01
- 171	MS21074L3	. . . NUTPLATE . . . . .	02
172	MS25083-2AB3	. . . JUMPER ASSY-LH AILERON TO TRIM TAB . . . . .	01
		. . . ATTACHING PARTS	
173	MS35206-228	. . . SCREW . . . . .	01
174	MS35207-264	. . . SCREW . . . . .	01
175	AN961-6T	. . . WASHER . . . . .	01
176	AN961-10T	. . . WASHER . . . . .	01
		_*_	
177	S2674-3	. . . NAMEPLATE . . . . .	01

- ITEM NOT ILLUSTRATED

CESSNA®  
MODEL 525 (SERIALS -0685 AND -0800 AND ON)  
ILLUSTRATED PARTS CATALOG

A89359



AILERON RIB INSTALLATION  
FIGURE 03 (SHEET 1)

6310T1168  
A6324T1018  
B6324T1018

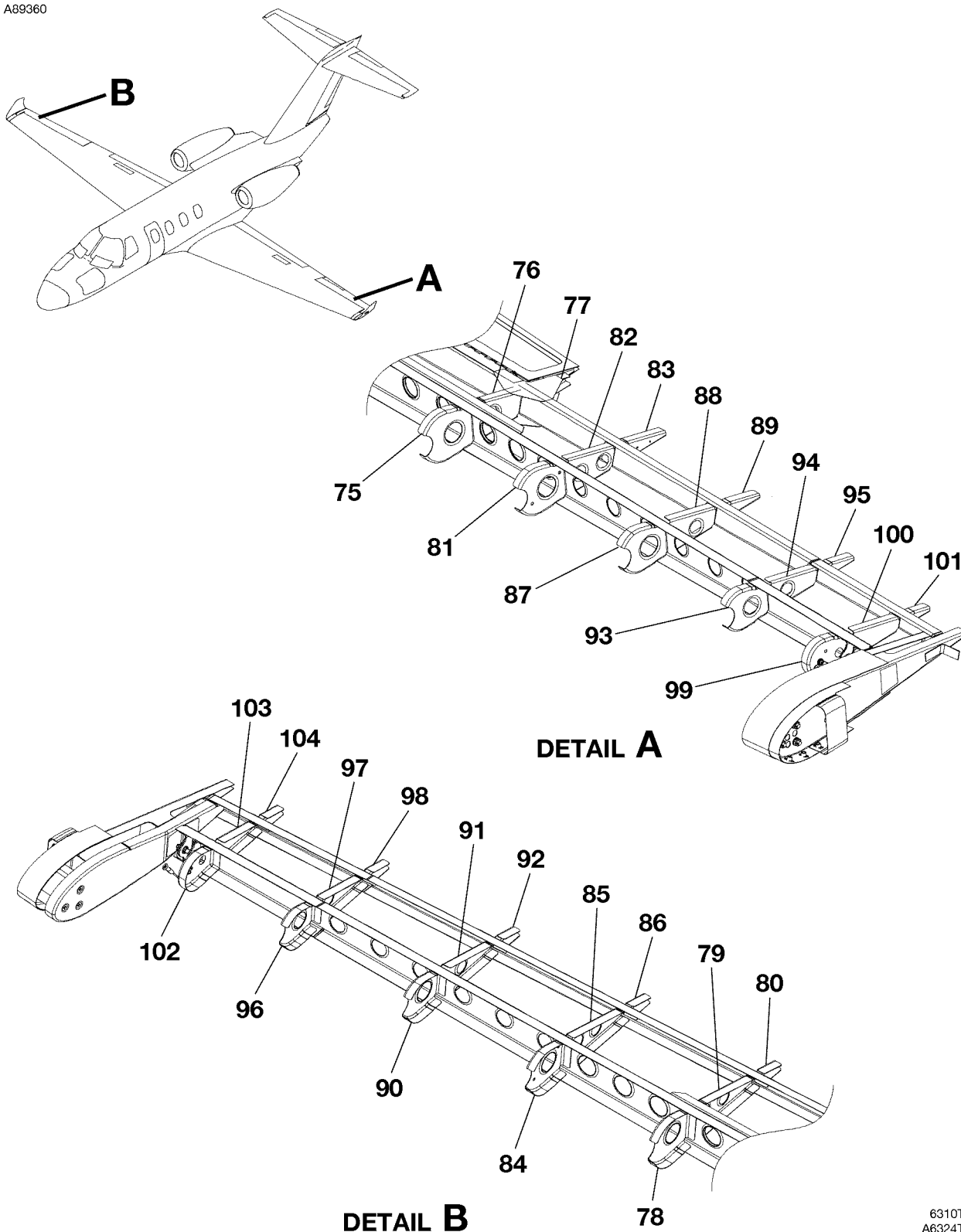
CESSNA®  
**MODEL 525 (SERIALS -0685 AND -0800 AND ON)**  
 ILLUSTRATED PARTS CATALOG

FIG ITEM	PART NUMBER	NOMENCLATURE	UNITS
			PER ASSY
03		AILERON RIB INSTALLATION	RF
-			
1	6324008-105	. SUPPORT ANGLE-LH . . . . .	01
2	6324008-127	. CTR RIB-LH . . . . .	01
3	6324008-52	. CTR RIB-RH . . . . .	01
4	6324008-51	. AFT RIB-RH . . . . .	01
5	6324002-3	. RIB ASSY-LH . . . . .	01
6	6324002-4	. RIB ASSY-RH . . . . .	01
- 7	6324008-3	. NOSE RIB-LH . . . . .	01
- 8	6324008-4	. NOSE RIB-RH . . . . .	01
- 9	MS21047L06	. NUTPLATE . . . . .	01
10	6324008-69	. CENTER RIB-LH . . . . .	01
11	6324008-107	. SUPPORT CLIP-LH . . . . .	01
12	6324008-71	. CTR RIB-LH . . . . .	01
13	6324008-53	. CTR RIB-RH . . . . .	01
14	6324008-109	. SUPPORT CLIP-LH . . . . .	01
15	6324008-56	. NOSE RIB-RH . . . . .	01
16	6324008-55	. CTR RIB-RH . . . . .	01
17	6324008-54	. AFT RIB-RH . . . . .	01
18	6324008-7	. NOSE RIB-LH . . . . .	01
19	6324008-73	. CTR RIB-LH . . . . .	01
20	6324008-111	. SUPPORT CLIP-LH . . . . .	01
21	6324008-9	. NOSE RIB-LH . . . . .	01
22	6324008-75	. CTR RIB-LH . . . . .	01
23	6324008-113	. SUPPORT CLIP-LH . . . . .	01
24	6324008-59	. NOSE RIB-RH . . . . .	01
25	6324008-58	. CTR RIB-RH . . . . .	01
26	6324008-57	. AFT RIB-RH . . . . .	01
27	6324008-11	. NOSE RIB-LH . . . . .	01
28	6324008-77	. CTR RIB-LH . . . . .	01
29	6324008-125	. SUPPORT CLIP-LH . . . . .	01
30	6324008-62	. NOSE RIB-RH . . . . .	01
31	6324008-61	. CTR RIB-RH . . . . .	01
32	6324008-60	. AFT RIB-RH . . . . .	01
33	6324008-13	. NOSE RIB-LH . . . . .	01
34	6324008-79	. CTR RIB-LH . . . . .	01
35	6324008-121	. SUPPORT CLIP-LH . . . . .	01
36	6324008-14	. NOSE RIB-RH . . . . .	01
37	6324008-63	. CTR RIB-RH . . . . .	01
38	6324008-19	. NOSE RIB-LH . . . . .	01
39	6324008-81	. CTR RIB-LH . . . . .	01
40	6324008-123	. SUPPORT CLIP-LH . . . . .	01
41	6324008-20	. NOSE RIB-RH . . . . .	01
42	6324008-18	. CTR RIB-RH . . . . .	01
43	6324008-66	. AFT RIB-RH . . . . .	01

- ITEM NOT ILLUSTRATED

CESSNA®  
MODEL 525 (SERIALS -0685 AND -0800 AND ON)  
ILLUSTRATED PARTS CATALOG

A89360



**DETAIL B**

AILERON RIB INSTALLATION  
FIGURE 03 (SHEET 2)

6310T1168  
A6324T1018  
B6324T1018



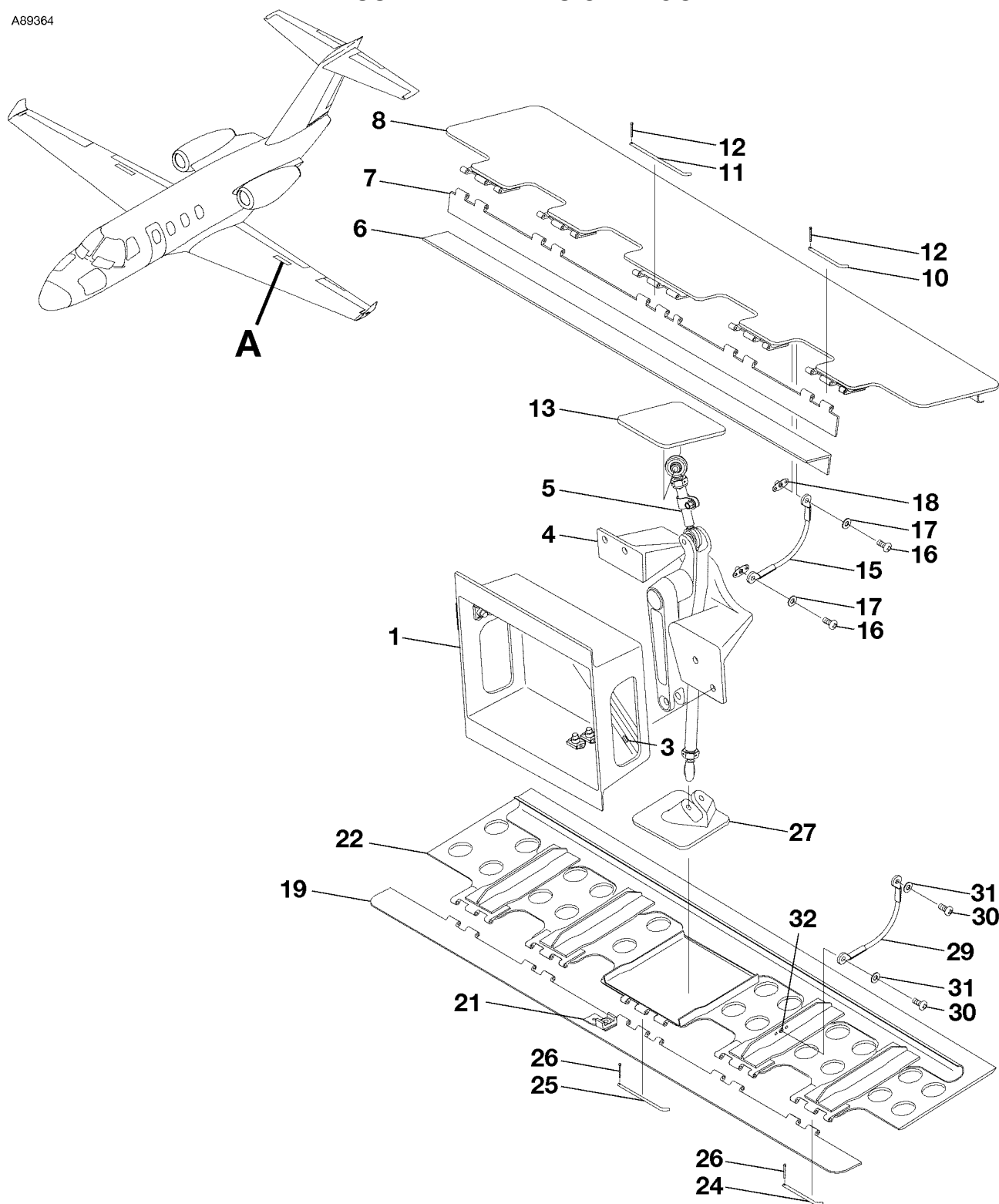
CESSNA®  
**MODEL 525 (SERIALS -0685 AND -0800 AND ON)**  
 ILLUSTRATED PARTS CATALOG

FIG ITEM	PART NUMBER	NOMENCLATURE	UNITS
			PER ASSY
03			
75	6324008-103	. NOSE RIB-LH . . . . .	01
76	6324008-83	. CTR RIB-LH . . . . .	01
77	6324008-93	. AFT RIB-LH . . . . .	01
78	6324008-26	. NOSE RIB-RH . . . . .	01
79	6324008-24	. CTR RIB-RH . . . . .	01
80	6324008-22	. AFT RIB-RH . . . . .	01
81	6324008-31	. NOSE RIB-LH . . . . .	01
82	6324008-85	. CTR RIB-LH . . . . .	01
83	6324008-95	. AFT RIB-LH . . . . .	01
84	6324008-32	. NOSE RIB-RH . . . . .	01
85	6324008-30	. CTR RIB-RH . . . . .	01
86	6324008-28	. AFT RIB-RH . . . . .	01
87	6324008-37	. NOSE RIB-LH . . . . .	01
88	6324008-87	. CTR RIB-LH . . . . .	01
89	6324008-97	. AFT RIB-LH . . . . .	01
90	6324008-38	. NOSE RIB-RH . . . . .	01
91	6324008-36	. CTR RIB-RH . . . . .	01
92	6324008-34	. AFT RIB-RH . . . . .	01
93	6324008-43	. NOSE RIB-LH . . . . .	01
94	6324008-89	. CTR RIB-LH . . . . .	01
95	6324008-99	. AFT RIB-LH . . . . .	01
96	6324008-44	. NOSE RIB-RH . . . . .	01
97	6324008-42	. CTR RIB-RH . . . . .	01
98	6324008-40	. AFT RIB-RH . . . . .	01
99	6324008-49	. NOSE RIB-LH . . . . .	01
- 99A	MS21047L06	. NUTPLATE . . . . .	01
100	6324008-91	. CTR RIB-LH . . . . .	01
101	6324008-101	. AFT RIB-LH . . . . .	01
102	6324008-50	. NOSE RIB-RH . . . . .	01
103	6324008-48	. CTR RIB-RH . . . . .	01
104	6324008-46	. AFT RIB-RH . . . . .	01

- ITEM NOT ILLUSTRATED

CESSNA®  
MODEL 525 (SERIALS -0685 AND -0800 AND ON)  
ILLUSTRATED PARTS CATALOG

A89364



**DETAIL A**

SPEED BRAKE  
FIGURE 01 (SHEET 1)

6310T1168  
A6329T1018

CESSNA®  
**MODEL 525 (SERIALS -0685 AND -0800 AND ON)**  
 ILLUSTRATED PARTS CATALOG

FIG ITEM	PART NUMBER	NOMENCLATURE	UNITS
			PER ASSY
01		SPEED BRAKE	
-			RF
1	6324009-17	. SUPPORT ASSY-LH SPEED BRAKE TRUNNION . . . . .	01
- 2	6324009-18	. SUPPORT ASSY-RH SPEED BRAKE TRUNNION . . . . .	01
3	MS21209F4-15	. . INSERT-THREAD . . . . .	05
4		. BRIDGE-LH REFER TO 27-60-00 FIGURE 01 . . . . .	RF
5		. PUSH ROD ASSY-REFER TO 27-60-00 FIGURE 01 . . . . .	RF
6	6325500-29	. ANGLE-UPR . . . . .	02
7	6325500-13	. HINGE HALF-UPR . . . . .	02
8	6325500-33	. DOOR ASSY-LH UPR SPEED BRAKE . . . . .	01
- 9	6325500-34	. DOOR ASSY-RH UPR SPEED BRAKE . . . . .	01
		ATTACHING PARTS	
10	6325500-15	. HINGE PIN . . . . .	04
11	6325500-8	. HINGE PIN . . . . .	01
12	MS24665-5	. COTTER PIN . . . . .	05
		—*—	
13	6325500-21	. . LUG ASSY-LH UPR . . . . .	01
- 14	6325500-22	. . LUG ASSY-RH UPR . . . . .	01
15	MS25083-2BB4	. . JUMPER ASSY . . . . .	01
		ATTACHING PARTS	
16	MS27039-0806	. . SCREW . . . . .	02
17	NAS1149FN832P	. . WASHER . . . . .	02
18	MS21069L08	. . NUTPLATE . . . . .	01
		—*—	
19	6325501-7	. HINGE HALF-LH LWR SPEED BRAKE . . . . .	01
- 20	6325501-30	. HINGE HALF-RH LWR SPEED BRAKE . . . . .	01
21	S3529-1B1	. ANCHOR ASSY . . . . .	02
22	6325501-19	. DOOR ASSY-LH LWR SPEED BRAKE . . . . .	01
- 23	6325501-20	. DOOR ASSY-RH LWR SPEED BRAKE . . . . .	01
		ATTACHING PARTS	
24	6325500-15	. HINGE PIN . . . . .	04
25	6325500-8	. HINGE PIN . . . . .	01
26	MS24665-5	. COTTER PIN . . . . .	05
		—*—	
27	6325501-17	. . LUG ASSY-LH LWR . . . . .	01
- 28	6325501-18	. . LUG ASSY-RH LWR . . . . .	01
29	MS25083-2BB5	. . JUMPER ASSY . . . . .	01
		ATTACHING PARTS	
30	MS27039-0806	. . SCREW . . . . .	02
31	NAS1149FN832P	. . WASHER . . . . .	02
32	MS21069L08	. . NUTPLATE . . . . .	01
		—*—	

- ITEM NOT ILLUSTRATED



**CHAPTER**

**71**

**POWER PLANT**



CESSNA®  
**MODEL 525 (SERIALS -0685 AND -0800 AND ON)**  
ILLUSTRATED PARTS CATALOG

<b>CHAPTER SECTION SUBJECT</b>		<b>NUMBER OF PAGES</b>	<b>DATE</b>
71 - TITLE			
71 - LIST OF EFFECTIVE PAGES			
71 - RECORD OF TEMPORARY REVISIONS			
71 - TABLE OF CONTENTS			
71-00-00	Figure 01	2	Nov 1/2013
71-10-00	Figure 01	6	Dec 1/2017
71-20-00	Figure 01	2	Nov 1/2013
71-50-00	Figure 01	4	Dec 1/2017
71-60-00	Figure 01	4	Nov 1/2013
71-70-00	Figure 01	2	Nov 1/2013







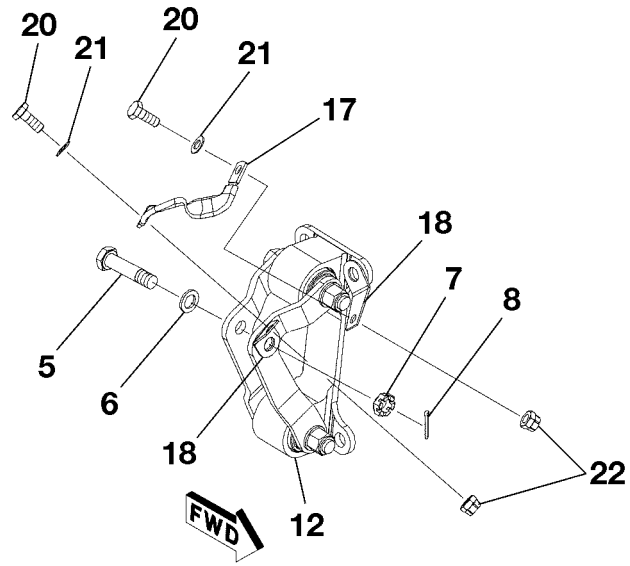
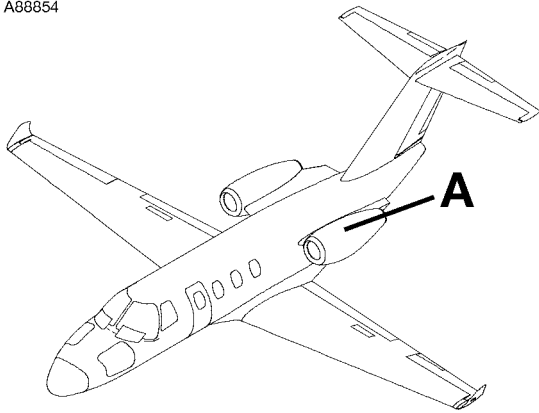


CESSNA®  
**MODEL 525 (SERIALS -0685 AND -0800 AND ON)**  
 ILLUSTRATED PARTS CATALOG

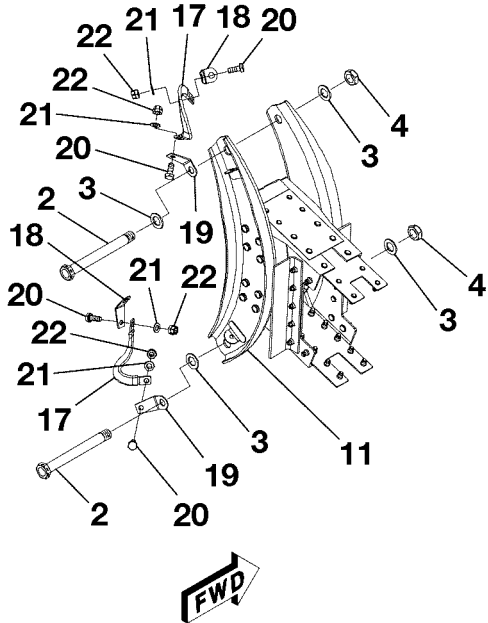
<u>SUBJECT</u>	<u>CHAPTER SECTION SUBJECT</u>	<u>FIGURE</u>	<u>EFFECTIVITY</u>	
			<u>START</u>	<u>END</u>
POWER PLANT	71-00-00	01		
POWER PLANT COWLING	71-10-00	01		
FORWARD ENGINE ISOLATOR INSTALLATION	71-20-00	01		
POWER PLANT WIRE HARNESS	71-50-00	01		
ENGINE NACELLE AIR INLETS	71-60-00	01		
POWER PLANT DRAIN LINES	71-70-00	01		

CESSNA®  
**MODEL 525 (SERIALS -0685 AND -0800 AND ON)**  
 ILLUSTRATED PARTS CATALOG

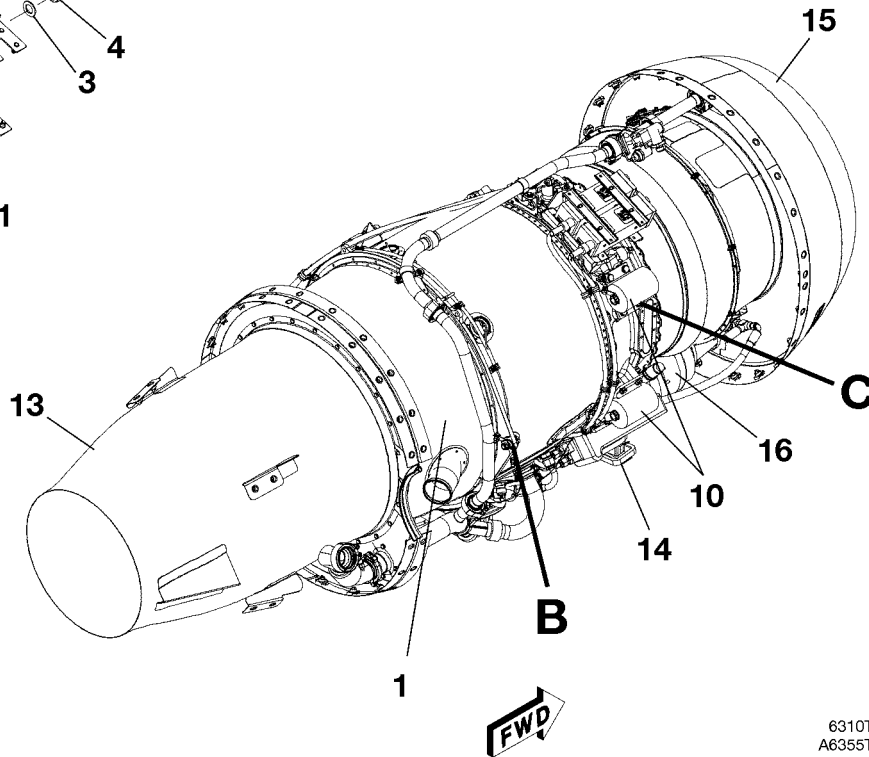
A88854



**DETAIL B**



**DETAIL C**



**DETAIL A**

POWER PLANT  
 FIGURE 01 (SHEET 1)

6310T1168  
 A6355T1043  
 B6355T1043  
 C6355T1043  
 AA6355T1043

CESSNA®  
**MODEL 525 (SERIALS -0685 AND -0800 AND ON)**  
 ILLUSTRATED PARTS CATALOG

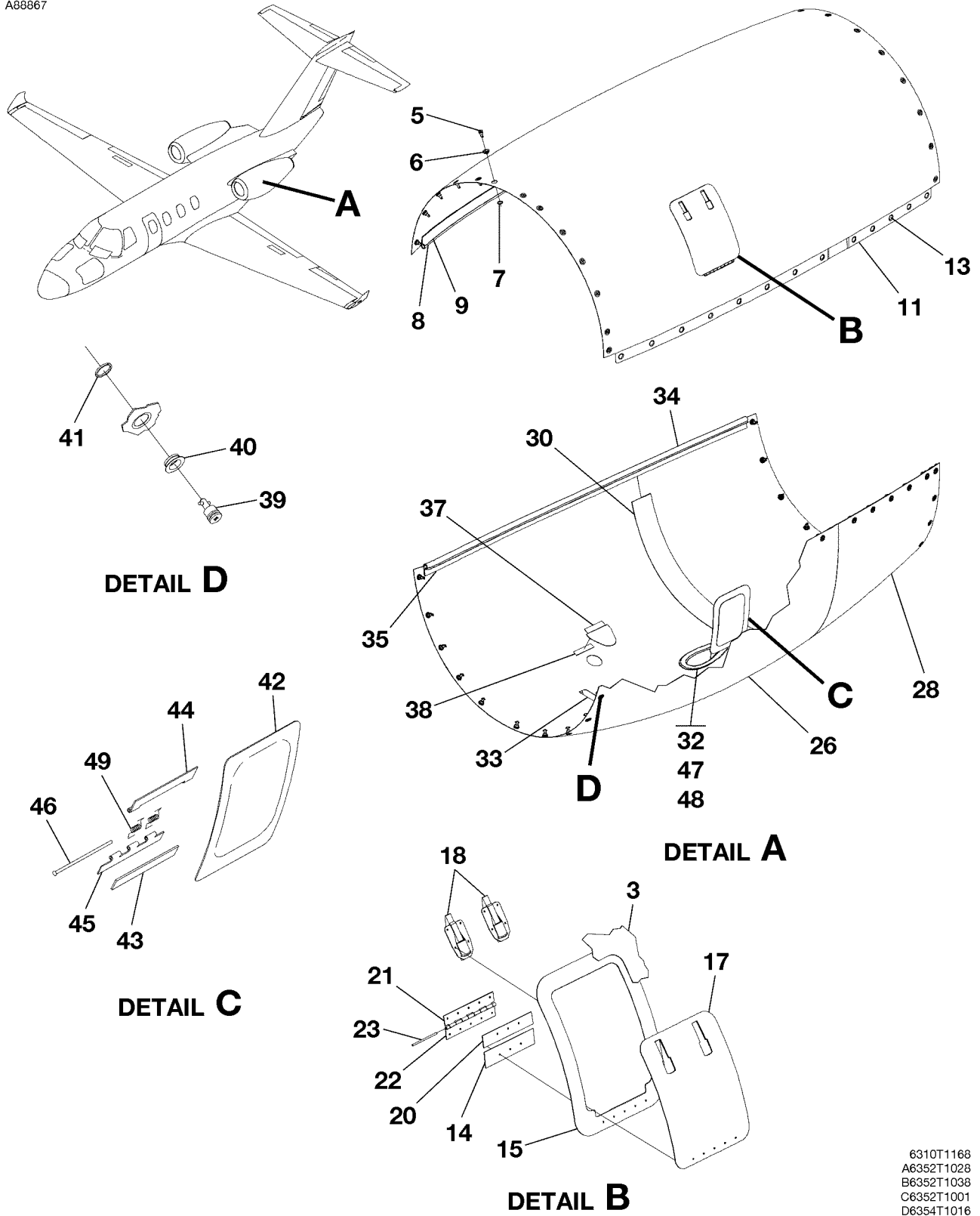
FIG ITEM	PART NUMBER	NOMENCLATURE	UNITS
			PER ASSY
01		POWER PLANT	RF
-		. ENGINE REFER TO NOTE 1 . . . . .	02
1	9912680-3	. ATTACHING PARTS	
2	S3461-132	. BOLT . . . . .	02
3	NAS1149F0863P	. WASHER REFER TO NOTE 2 . . . . .	04
4	MS21083N8	. NUT . . . . .	02
5	S3461-50	. BOLT . . . . .	01
6	NAS1149F0663P	. WASHER . . . . .	01
7	AN320-6	. NUT . . . . .	01
8	MS24665-287	. COTTER PIN . . . . .	01
		—*—	
- 9	S3001-1	. BRACKET . . . . .	02
10		. ISOLATOR-FWD ENGINE MOUNT REFER TO 71-20-00 FIGURE 01 . . . . .	RF
11		. MOUNT ASSY-FWD REFER TO 54-10-00 FIGURE 01 . . . . .	RF
12		. ISOLATOR-AFT ENGINE MOUNT 54-10-00 FIGURE 01 . . . . .	RF
13		. NOZZLE ASSY-EXHAUST REFER TO 78-10-00 FIGURE 01 . . . . .	RF
14		. DUCT-STARTER GENERATOR COOLING REFER TO 80-10-00 FIGURE 01 . . . . .	RF
15		. INLET ASSY-NACELLE REFER TO 71-10-00 FIGURE 01 . . . . .	RF
16		. STARTER GENERATOR-REFER TO 80-10-00 FIGURE 01 . . . . .	RF
17	740F44-19	. JUMPER ASSY-ENGINE TO PYLON GROUNDING . . . . . V91812	06
		. ATTACHING PARTS	
18	6350500-3	. JUMPER BRACKET . . . . .	03
19	6751507-19	. JUMPER BRACKET . . . . .	02
20	AN4C5A	. BOLT . . . . .	06
21	NAS1149C0432R	. WASHER . . . . .	06
22	MS21045C4	. NUT . . . . .	06
		—*—	

NOTE 1—REFER TO MAINTENANCE MANUAL FOR SUPPLIERS PUBLICATION LIST.

NOTE 2—PLACE ONE WASHER UNDER HEAD OF S3461-132 BOLT AND ONE WASHER UNDER MS21083N8 NUT.

CESSNA®  
**MODEL 525 (SERIALS -0685 AND -0800 AND ON)**  
 ILLUSTRATED PARTS CATALOG

A88867



POWER PLANT COWLING  
 FIGURE 01 (SHEET 1)

6310T1168  
 A6352T1028  
 B6352T1038  
 C6352T1001  
 D6354T1016

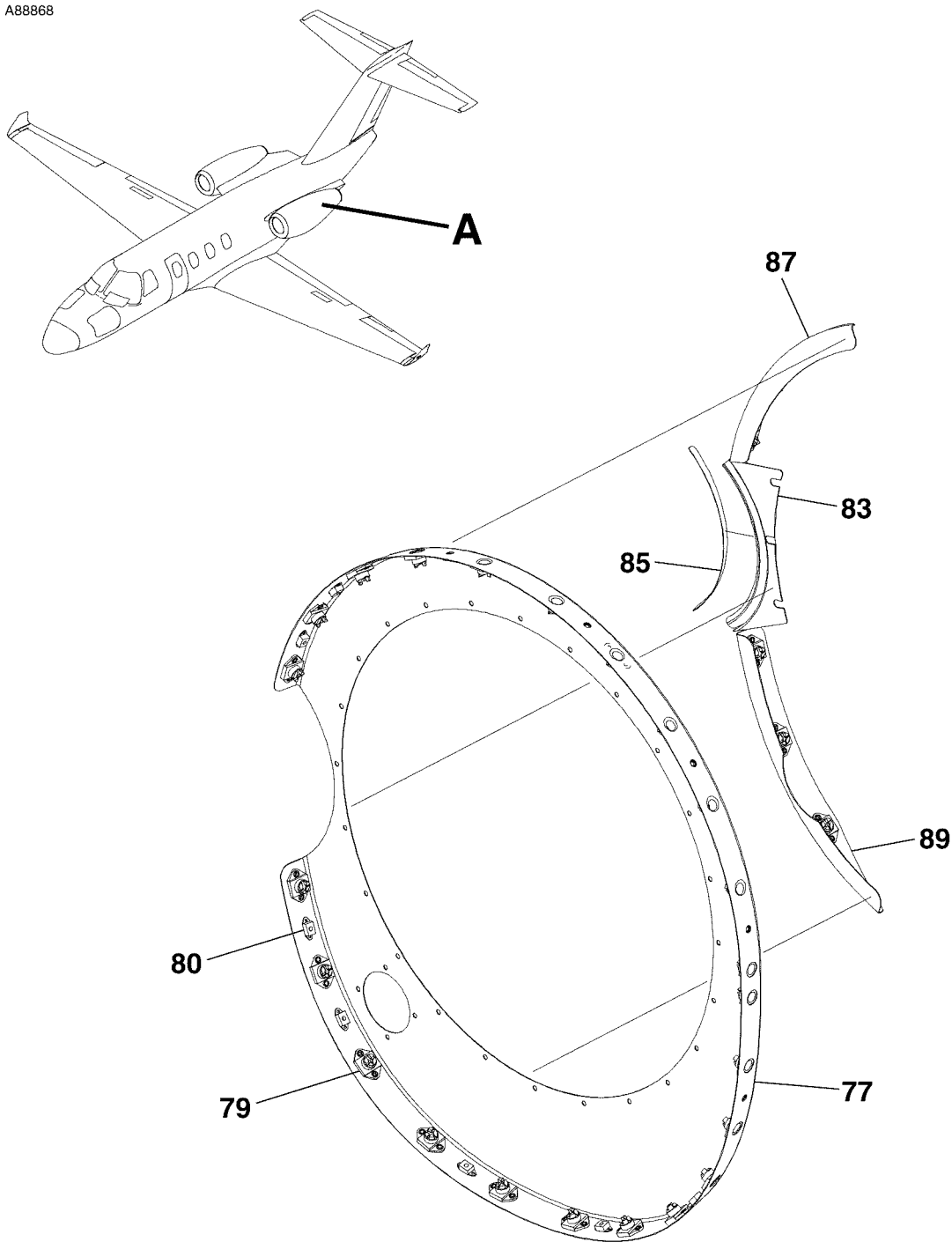
CESSNA®  
**MODEL 525 (SERIALS -0685 AND -0800 AND ON)**  
 ILLUSTRATED PARTS CATALOG

FIG ITEM	PART NUMBER	NOMENCLATURE	UNITS PER ASSY		
			1	2	3
01		POWER PLANT COWLING			RF
-					
- 1	6352026-5	. NACELLE COWL DOOR ASSY-LH UPPER . . . . .	0800	0980	01 R
- 1A	6352026-11	. NACELLE COWL DOOR ASSY-LH UPPER . . . . .	0981	& ON	01 R
- 2	6352026-6	. NACELLE COWL DOOR ASSY-RH UPPER . . . . .	0800	0980	01 R
- 2A	6352026-12	. NACELLE COWL DOOR ASSY-RH UPPER . . . . .	0981	& ON	01 R
3	6352027-7	. DOOR-LH UPPER COWL . . . . .			01
- 4	6352027-8	. DOOR-RH UPPER COWL . . . . .			01
5	S3412-103	. FASTENER . . . . .			24
6	S2319-63	. GROMMET . . . . .			24
7	CM2791-2	. SNAP RING . . . . .			24
8	S2941-2	. RUBBER SEAL . . . . .			AR
9	6352028-1	. SEAL RETAINER-LH UPPER . . . . .	0800	0980	01 R
- 9A	6352028-15	. SEAL RETAINER-LH UPPER . . . . .	0981	& ON	01 R
- 10	6352028-2	. SEAL RETAINER-RH UPPER . . . . .	0800	0980	01 R
- 10A	6352028-16	. SEAL RETAINER-RH UPPER . . . . .	0981	& ON	01 R
11	6352028-9	. ANGLE-LH . . . . .			01
- 12	6352028-10	. ANGLE-RH . . . . .			01
13	S2319-50	. RECEPTACLE . . . . .			13
14	6352200-28	. HINGE SHIM-LOWER . . . . .			01
15	6352700-17	. DOUBLER-DOOR . . . . .			01
- 16	6352200-21	. DOOR ASSY-ENGINE OIL INSPECTION/FILL . . . . .			01
17	6352200-22	. DOOR BOND ASSY . . . . .			01
18	H5000-2-072-081	. . . . . LATCH FSO S1188-5 . . . . .		V83014	NP
- 19	S1188-5	. . . . . LATCH ASSY FOR SPARES ONLY . . . . .			02
20	6352200-25	. HINGE SHIM-UPPER . . . . .			01
21	6352200-26	. HINGE-UPPER . . . . .			01
22	6352200-27	. HINGE-LOWER . . . . .			01
23	MS20253P2-390	. HINGE PIN . . . . .			01
- 24	6352026-9	. NACELLE COWL DOOR ASSY-LH LOWER . . . . .	0800	0980	01 R
- 24A	6352026-13	. NACELLE COWL DOOR ASSY-LH LOWER . . . . .	0981	& ON	01 R
- 25	6352026-10	. NACELLE COWL DOOR ASSY-RH LOWER . . . . .	0800	0980	01 R
- 25A	6352026-14	. NACELLE COWL DOOR ASSY-RH LOWER . . . . .	0981	& ON	01 R
26	6352027-9	. DOOR-LH LOWER FWD . . . . .			01
- 27	6352027-10	. DOOR-RH LOWER FWD . . . . .			01
28	6352027-5	. DOOR-LH LOWER AFT . . . . .			01
- 29	6352027-6	. DOOR-RH LOWER AFT . . . . .			01
30	6352028-11	. DOUBLER-LH . . . . .			01
- 31	6352028-12	. DOUBLER-RH . . . . .			01
32	6352728-3	. DRAIN MAST . . . . .			01
33	6352700-31	. SCUPPER . . . . .			01
34	S2941-2	. RUBBER-SEAL . . . . .	0800	0980	01 R
- 34A	S2941-2	. RUBBER-SEAL . . . . .	0981	& ON	AR R
35	6352028-3	. SEAL RETAINER-LH LOWER . . . . .	0800	0980	01 R
- 35A	6352028-17	. SEAL RETAINER-LH LOWER . . . . .	0981	& ON	01 R
- 36	6352028-4	. SEAL RETAINER-RH LOWER . . . . .	0800	0980	01 R
- 36A	6352028-18	. SEAL RETAINER-RH LOWER . . . . .	0981	& ON	01 R
37	9074	. INSPECTION DOOR ASSY . . . . .		V84256	01
38	6352200-30	. SHIM . . . . .			01
39	S3412-103	. FASTENER . . . . .			37
40	S2319-63	. GROMMET . . . . .			37
41	CM2791-2	. SNAP RING . . . . .			37
42	6352200-46	. DOOR . . . . .			01
43	6352200-45	. SHIM-UPPER HINGE . . . . .			01
44	6352200-48	. HINGE-UPPER . . . . .			01
45	6352200-47	. HINGE-LOWER . . . . .			01
46	MS20253P2-300	. HINGE PIN . . . . .			01
47	7152022-37	. SEAL-DRAIN . . . . .			02
48	7152022-34	. SEAL RETAINER . . . . .			01
49	6352028-13	. SPRING . . . . .			02

- ITEM NOT ILLUSTRATED

CESSNA®  
MODEL 525 (SERIALS -0685 AND -0800 AND ON)  
ILLUSTRATED PARTS CATALOG

A88868



**DETAIL A**

POWER PLANT COWLING  
FIGURE 01 (SHEET 2)

6310T1168  
A6352T1049



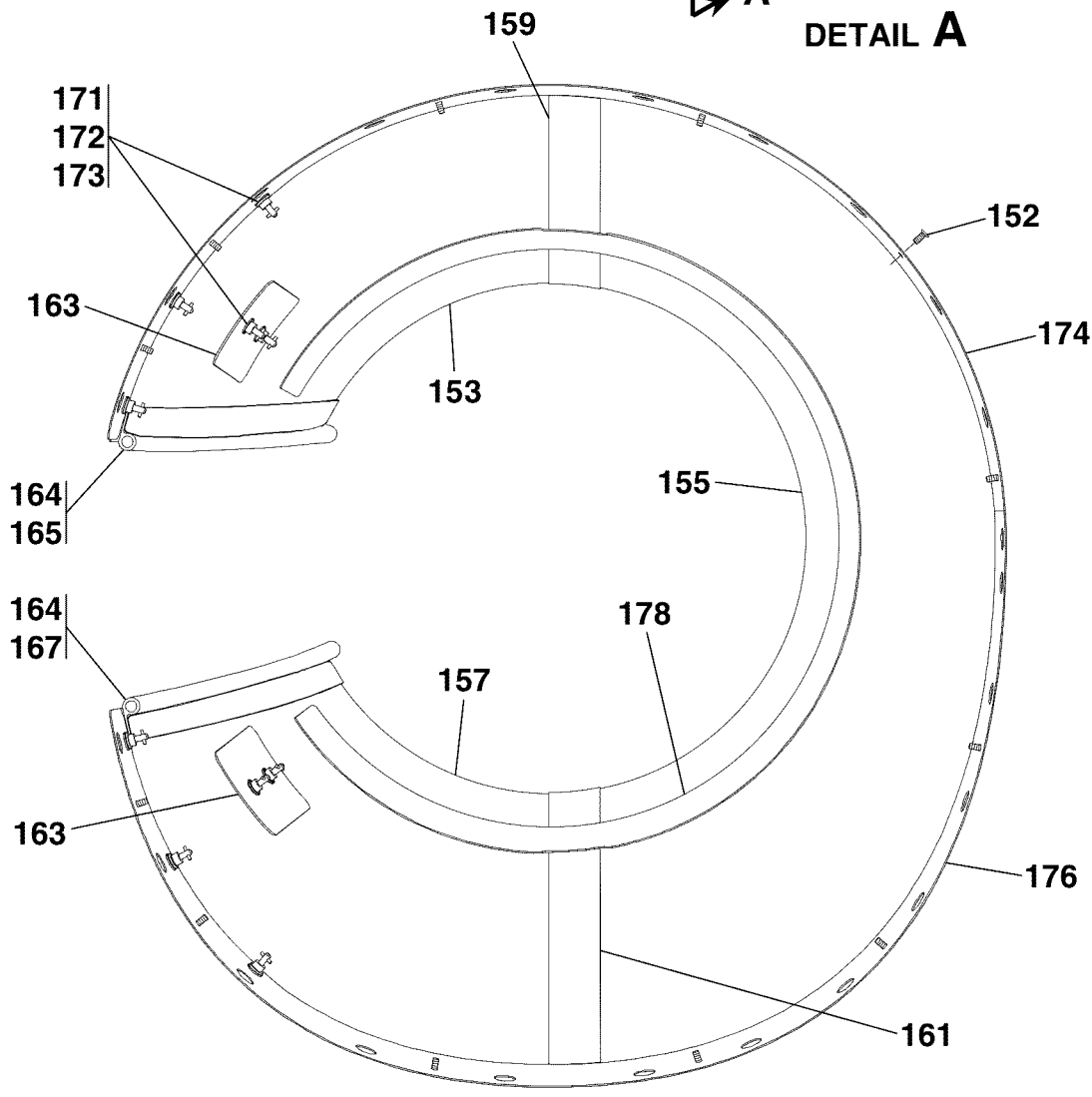
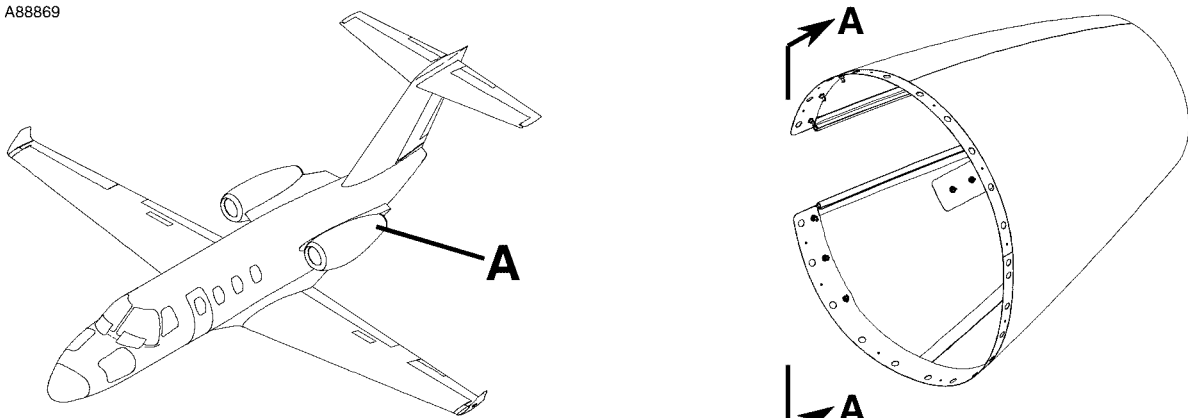
CESSNA®  
**MODEL 525 (SERIALS -0685 AND -0800 AND ON)**  
 ILLUSTRATED PARTS CATALOG

FIG ITEM	PART NUMBER	NOMENCLATURE	UNITS	
			PER	ASSY
01				
- 75	6352226-21	. FIREWALL ASSY-LH NACELLE . . . . .		01
- 76	6352226-22	. FIREWALL ASSY-RH NACELLE . . . . .		01
77	6352226-19	. . FIREWALL-LH . . . . .	0803	& ON 01
- 77A	DDA06527-3	. . FIREWALL-LH REF 6352226 REFER TO NOTE 1 . . . . .	0800	0802 01
- 78	DDA06527-4	. . FIREWALL-RH REF 6352226 REFER TO NOTE 1 . . . . .	0800	0802 01
- 78A	6352226-20	. . FIREWALL-RH . . . . .	0803	& ON 01
79	S2319-51	. . RECEPTACLE . . . . .		29
80	MS21059L08K	. . NUTPLATE . . . . .		12
- 81	6352226-13	. . SEAL ASSY-LH . . . . .		01
- 82	6352226-14	. . SEAL ASSY-RH . . . . .		01
83	6352226-15	. . . SEAL RETAINER BRACKET-LH . . . . .		01
- 84	6352226-16	. . . SEAL RETAINER BRACKET-RH . . . . .		01
85	6352226-17	. . . SEAL RETAINER STRIP-LH . . . . .		01
- 86	6352226-18	. . . SEAL RETAINER STRIP-RH . . . . .		01
87	6352226-25	. . FLANGELET-LH UPPER . . . . .		01
- 88	6352226-26	. . FLANGELET-RH UPPER . . . . .		01
89	6352226-23	. . FLANGELET-LH LOWER . . . . .		01
- 90	6352226-24	. . FLANGELET-RH LOWER . . . . .		01

NOTE 1—WHEN ORDERING DDA PART NUMBERS, ALSO PROVIDE REFERENCE DRAWING NUMBER SHOWN IN NOMENCLATURE COLUMN.

CESSNA®  
MODEL 525 (SERIALS -0685 AND -0800 AND ON)  
ILLUSTRATED PARTS CATALOG

A88869



**VIEW A-A**

POWER PLANT COWLING  
FIGURE 01 (SHEET 3)

6310T1168  
A6352T1050  
AA6352T1050

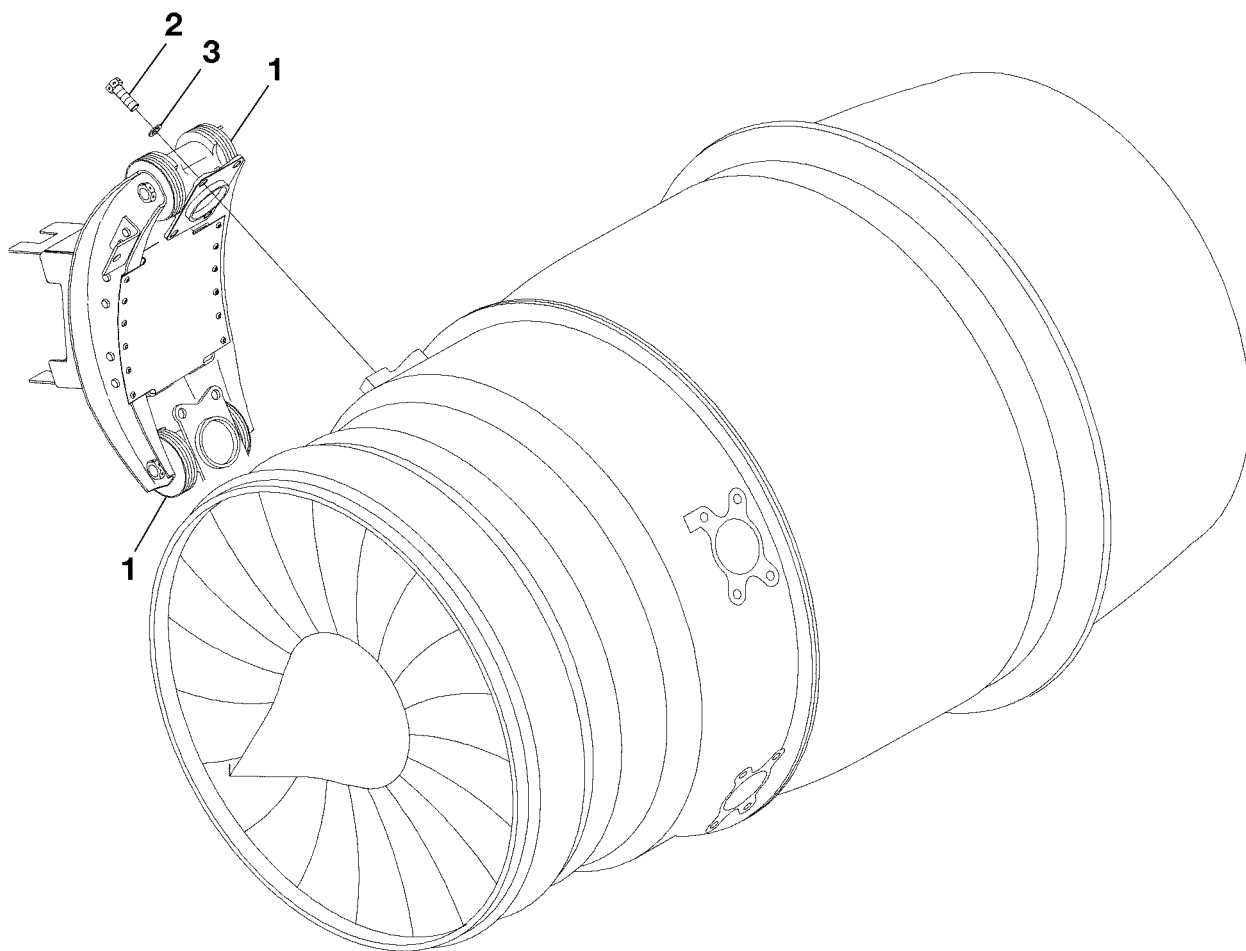
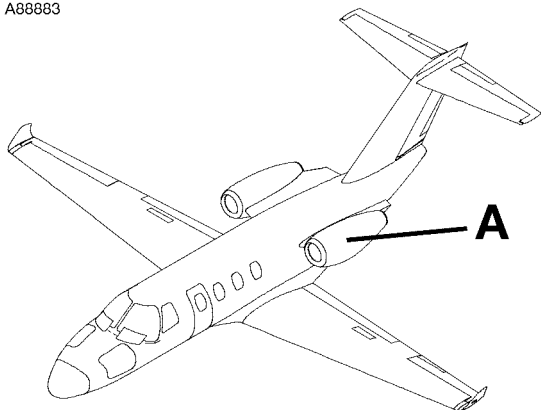
CESSNA®  
**MODEL 525 (SERIALS -0685 AND -0800 AND ON)**  
 ILLUSTRATED PARTS CATALOG

FIG ITEM	PART NUMBER	NOMENCLATURE	UNITS	
			PER	ASSY
01				
- 150	DDA06625-3	. NACELLE COWL ASSY-LH AFT REF 6352325 REFER TO NOTE 1 . . . . .	0800	0824 01
- 150A	6352325-19	. NACELLE COWL ASSY-LH AFT . . . . .	0825	& ON 01
- 151	DDA06625-4	. NACELLE COWL ASSY-RH AFT REF 6352325 REFER TO NOTE 1 . . . . .	0800	0824 01
- 151A	6352325-20	. NACELLE COWL ASSY-RH AFT . . . . .	0825	& ON 01
		ATTACHING PARTS		
152	MS24694S3	. SCREW . . . . .		12
		—*		
153	6352326-13	. SKIN-LH UPPER OUTBOARD . . . . .		01
- 154	6352326-14	. SKIN-RH UPPER OUTBOARD . . . . .		01
155	6352326-15	. SKIN-LH OUTBOARD . . . . .		01
- 156	6352326-16	. SKIN-RH OUTBOARD . . . . .		01
157	6352326-17	. SKIN-LH LOWER INBOARD . . . . .		01
- 158	6352326-18	. SKIN-RH LOWER INBOARD . . . . .		01
159	6352325-27	. SPLICE-LH UPPER . . . . .		01
- 160	6352325-28	. SPLICE-RH UPPER . . . . .		01
161	6352325-29	. SPLICE-LH LOWER . . . . .		01
- 162	6352325-30	. SPLICE-LOWER . . . . .		01
163	6352325-15	. DOUBLER . . . . .		02
164	S2941-2	. RUBBER-SEAL . . . . .		AR
165	6352325-31	. SEAL RETAINER-LH UPPER . . . . .		01
- 166	6352325-32	. SEAL RETAINER-RH UPPER . . . . .		01
167	6352325-33	. SEAL RETAINER-LH LOWER . . . . .		01
- 168	6352325-34	. SEAL RETAINER-RH LOWER . . . . .		01
- 169	DDA06625-1	. SEAL RETAINER-LH REF 6352325 REFER TO NOTE 1 . . . . .	0800	0824 01
- 170	DDA06625-2	. SEAL RETAINER-RH REF 6352325 REFER TO NOTE 1 . . . . .	0800	0824 01
171	S3412-103	. FASTENER . . . . .		10
172	S2319-63	. GROMMET . . . . .		10
173	CM2791-2	. SNAP RING . . . . .		10
174	6352325-23	. DOUBLER-LH UPPER . . . . .		01
- 175	6352325-24	. DOUBLER-RH UPPER . . . . .		01
176	6352325-21	. DOUBLER-LH LOWER . . . . .		01
- 177	6352325-22	. DOUBLER-RH LOWER . . . . .		01
178	6352325-25	. FRAME-LH . . . . .		01
- 179	6352325-26	. FRAME-RH . . . . .		01

NOTE 1—WHEN ORDERING DDA PART NUMBERS, ALSO PROVIDE REFERENCE DRAWING NUMBER SHOWN IN NOMENCLATURE COLUMN.

CESSNA®  
**MODEL 525 (SERIALS -0685 AND -0800 AND ON)**  
ILLUSTRATED PARTS CATALOG

A88883



**DETAIL A**

FORWARD ENGINE ISOLATOR INSTALLATION  
FIGURE 01 (SHEET 1)

6310T1168  
A6351T1003

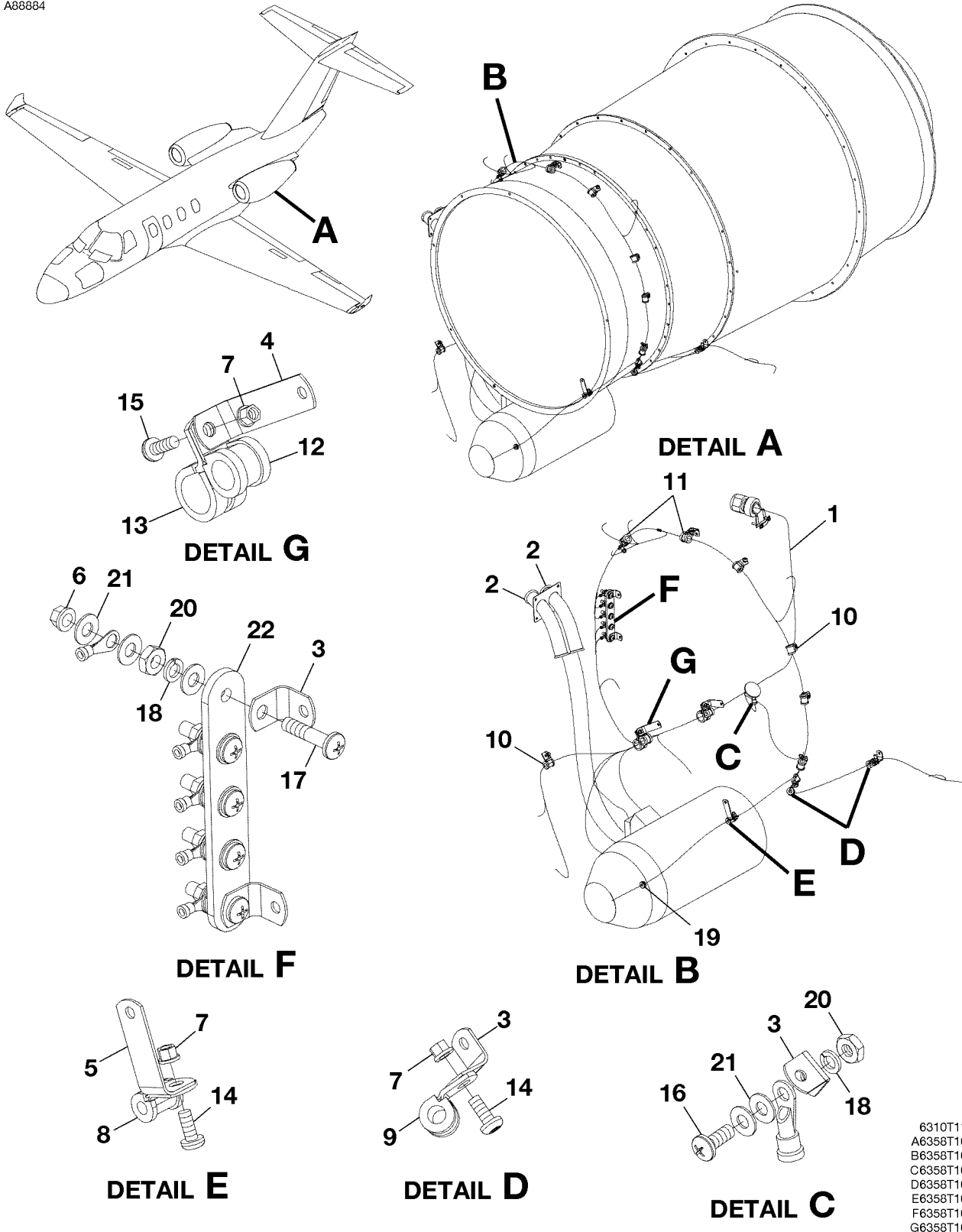
CESSNA®  
**MODEL 525 (SERIALS -0685 AND -0800 AND ON)**  
 ILLUSTRATED PARTS CATALOG

FIG ITEM	PART NUMBER	1 2 3 4 5 6 7	NOMENCLATURE	UNITS PER ASSY
01			FORWARD ENGINE ISOLATOR INSTALLATION	RF
-				
1	9912410-3		. MOUNT ISOLATOR-FWD . . . . .	04
			ATTACHING PARTS	
2	NAS566-35		. BOLT . . . . .	04
3	NAS1149F0663P		. WASHER . . . . .	04
			—*—	

- ITEM NOT ILLUSTRATED

CESSNA®  
**MODEL 525 (SERIALS -0685 AND -0800 AND ON)**  
 ILLUSTRATED PARTS CATALOG

A88884



6310T1168  
 A6358T1038  
 B6358T1039  
 C6358T1040  
 D6358T1040  
 E6358T1040  
 F6358T1040  
 G6358T1040

POWER PLANT WIRE HARNESS  
 FIGURE 01 (SHEET 1)

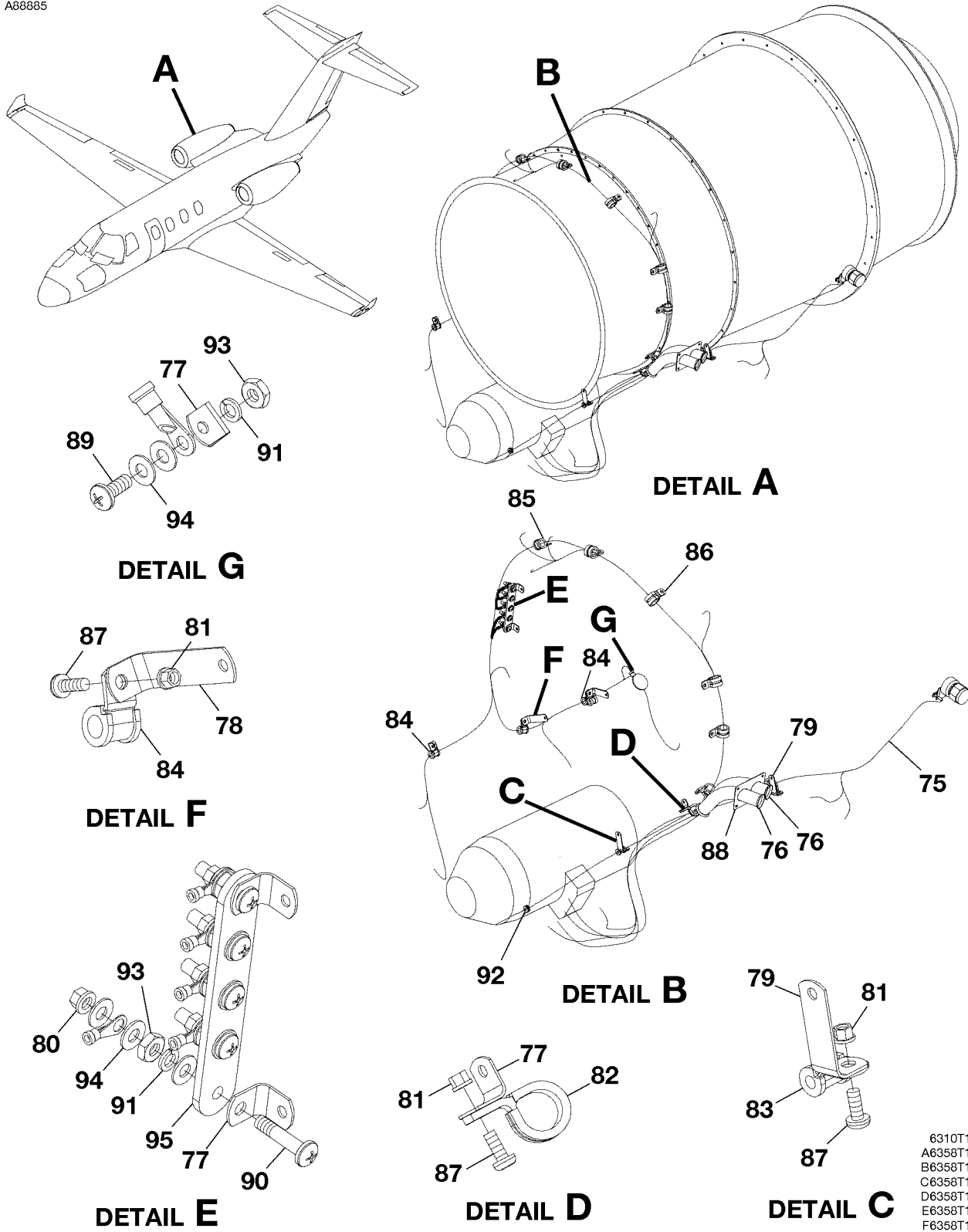
CESSNA®  
**MODEL 525 (SERIALS -0685 AND -0800 AND ON)**  
 ILLUSTRATED PARTS CATALOG

FIG ITEM	PART NUMBER	NOMENCLATURE	UNITS	
			PER	ASSY
01				
-		POWER PLANT WIRE HARNESS		RF
1	6318251-3	. WIRE BUNDLE ASSY-LH ENGINE . . . . .	0800	0955 01 R
- 1A	6318251-7	. WIRE BUNDLE ASSY-LH ENGINE . . . . .	0956	& ON 01 R
2	6318251-5	. WIRE BUNDLE ASSY-LH ENGINE STARTER GENERATOR POWER/GROUND . . . . .		01
3	S3001-1	. BRACKET . . . . .		07
4	S3001-25	. BRACKET . . . . .		01
5	S3001-3	. BRACKET . . . . .		01
6	MS21042-3	. NUT . . . . .		05
7	MS21043-08	. NUT . . . . .		06
8	MS21919WH3	. CLAMP . . . . .		01
9	MS21919WH4	. CLAMP . . . . .		02
10	MS21919WH5	. CLAMP . . . . .		05
11	MS21919WH6	. CLAMP . . . . .		02
12	MS21919WH7	. CLAMP . . . . .		01
13	MS21919WH9	. CLAMP . . . . .		02
14	MS27039-0806	. SCREW . . . . .		05
15	MS27039-0807	. SCREW . . . . .		05
16	MS35207-263	. SCREW . . . . .		01
17	MS35207-266	. SCREW . . . . .		05
18	MS35338-157	. WASHER-LOCK, SPRING . . . . .		06
19	MS35489-4	. GROMMET . . . . .		01
20	MS35650-305T	. NUT . . . . .		06
21	NAS1149D0332J	. WASHER . . . . .	0800	0955 23 R
- 21A	NAS1149D0332J	. WASHER . . . . .	0956	& ON 03 R
- 21B	NAS1149D0316H	. WASHER . . . . .	0956	& ON 20 R
22	6358005-6	. GROUND BLOCK . . . . .		01

- ITEM NOT ILLUSTRATED

CESSNA®  
**MODEL 525 (SERIALS -0685 AND -0800 AND ON)**  
 ILLUSTRATED PARTS CATALOG

A88885



- 6310T1168
- A6358T1041
- B6358T1042
- C6358T1043
- D6358T1043
- E6358T1043
- F6358T1043
- G6358T1043

POWER PLANT WIRE HARNESS  
 FIGURE 01 (SHEET 2)



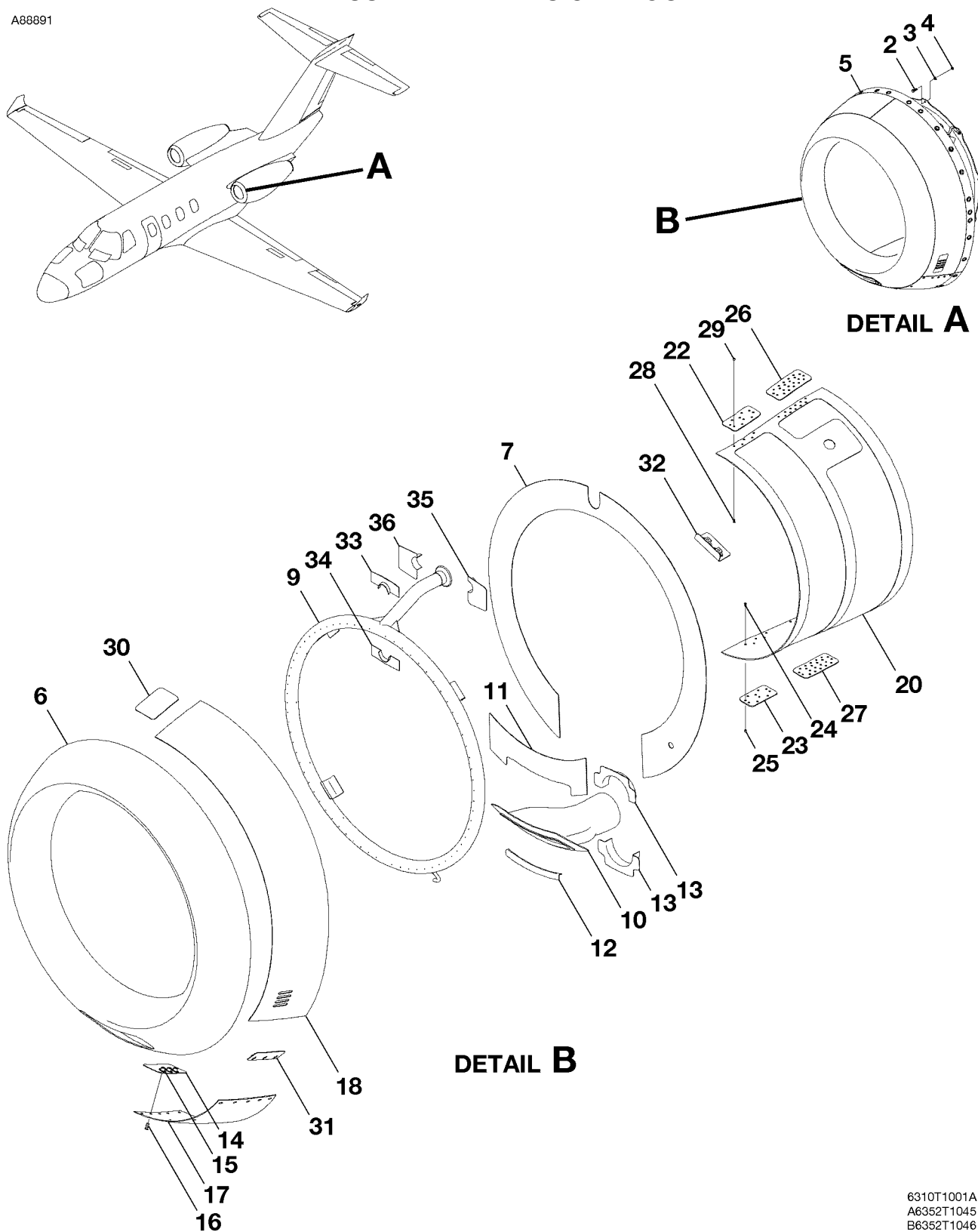
CESSNA®  
**MODEL 525 (SERIALS -0685 AND -0800 AND ON)**  
 ILLUSTRATED PARTS CATALOG

FIG ITEM	PART NUMBER	NOMENCLATURE	UNITS PER ASSY		
			1	2	3
01					
75	6318251-2	. WIRE BUNDLE ASSY-RH ENGINE . . . . .	0800	0955	01 R
- 75A	6318251-6	. WIRE BUNDLE ASSY-RH ENGINE . . . . .	0956	& ON	01 R
76	6318251-4	. WIRE BUNDLE ASSY-RH ENGINE STARTER GENERATOR POWER/GROUND . . . . .			01
77	S3001-1	. BRACKET . . . . .			06
78	S3001-25	. BRACKET . . . . .			01
79	S3001-3	. BRACKET . . . . .			02
80	MS21042-3	. NUT . . . . .			05
81	MS21043-08	. NUT . . . . .			06
82	MS21919WH10	. CLAMP . . . . .			02
83	MS21919WH3	. CLAMP . . . . .			01
84	MS21919WH5	. CLAMP . . . . .			03
85	MS21919WH7	. CLAMP . . . . .			01
86	MS21919WH9	. CLAMP . . . . .			05
87	MS27039-0806	. SCREW . . . . .			06
88	MS27039-0807	. SCREW . . . . .			04
89	MS35207-263	. SCREW . . . . .			01
90	MS35207-266	. SCREW . . . . .			05
91	MS35338-157	. WASHER-LOCK, SPRING . . . . .			06
92	MS35489-4	. GROMMET . . . . .			01
93	MS35650-305T	. NUT . . . . .			06
94	NAS1149D0332J	. WASHER . . . . .	0800	0955	25 R
- 94A	NAS1149D0316H	. WASHER . . . . .	0956	& ON	20 R
95	6358005-6	. GROUND BLOCK . . . . .			01

- ITEM NOT ILLUSTRATED

CESSNA®  
**MODEL 525 (SERIALS -0685 AND -0800 AND ON)**  
 ILLUSTRATED PARTS CATALOG

A88891



ENGINE NACELLE AIR INLETS  
 FIGURE 01 (SHEET 1)

6310T1001A  
 A6352T1045  
 B6352T1046

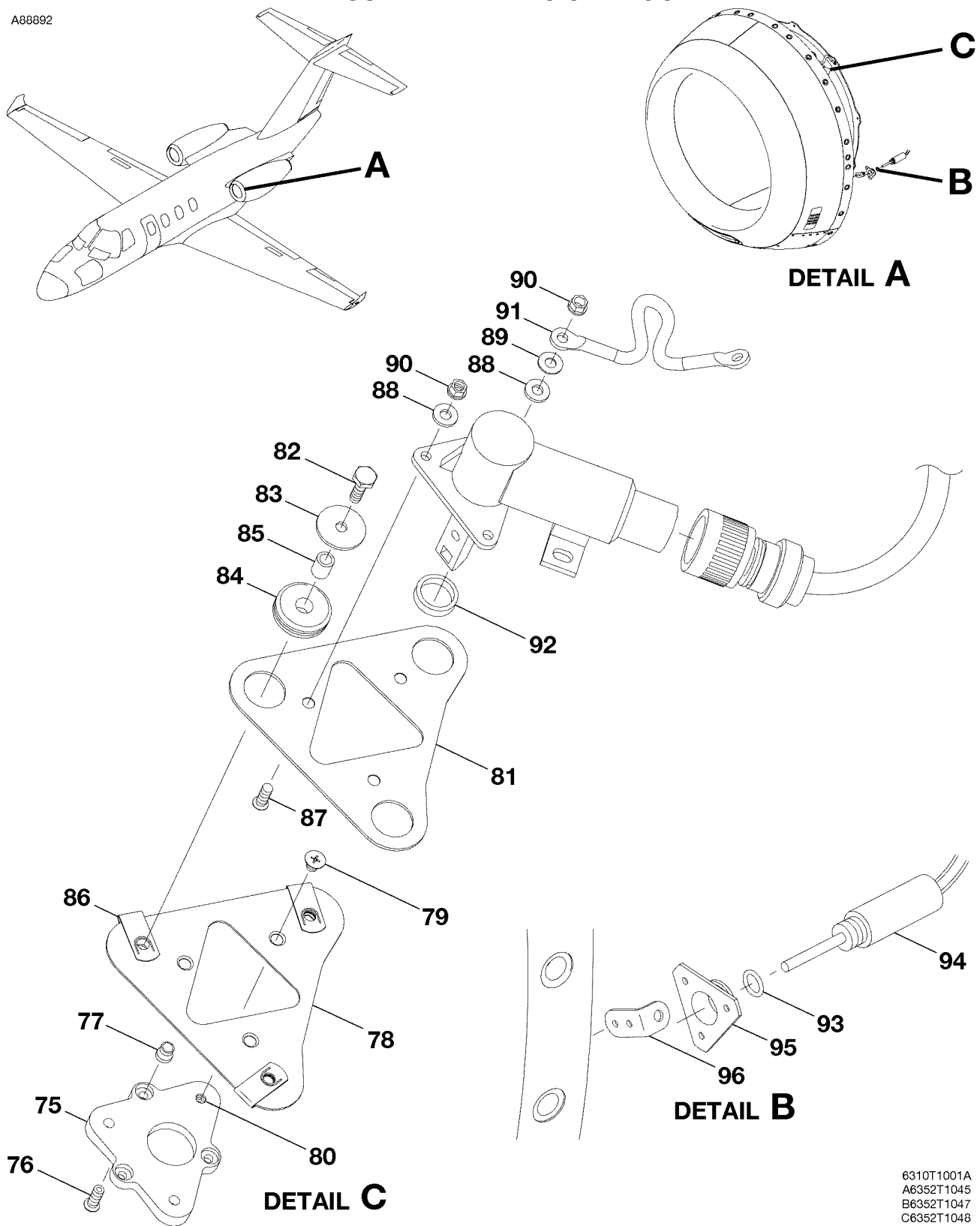
CESSNA®  
**MODEL 525 (SERIALS -0685 AND -0800 AND ON)**  
 ILLUSTRATED PARTS CATALOG

FIG ITEM	PART NUMBER	NOMENCLATURE	UNITS
			PER ASSY
01		ENGINE NACELLE AIR INLETS	RF
- 1	6352125-3	. NACELLE INLET ASSY-LH AND RH ENGINE . . . . .	02
		ATTACHING PARTS	
2	AN3-5A	. BOLT . . . . .	09
3	NAS1149C0316R	. WASHER . . . . .	09
4	MS21043-3	. NUT . . . . .	09
		—*—	
5	S2319-50	. . RECEPTACLE . . . . .	27
6	6352127-1	. . NOSECAP . . . . .	01
7	6352130-43	. . BULKHEAD WEB-FWD . . . . .	01
- 8	6352130-45	. . BULKHEAD WEB-AFT . . . . .	01
9	6352129-11	. . MANIFOLD ASSY . . . . .	01
10	6352131-2	. . SCOOP-STARTER/GENERATOR . . . . .	01
11	6352130-37	. . UPR CLOSEOUT-STARTER/GENERATOR SCOOP . . . . .	01
12	6352130-9	. . LWR CLOSEOUT-STARTER/GENERATOR SCOOP . . . . .	01
13	6352130-44	. . AFT CLOSEOUT-STARTER/GENERATOR SCOOP . . . . .	02
14	6352130-20	. . SKIN DOUBLER-LWR OUTBD . . . . .	01
15	6352126-10	. . INLET SKIN-LWR OUTBD . . . . .	01
		ATTACHING PARTS	
16	NAS8603-2	. . BOLT . . . . .	14
17	MS21070L3	. . NUTPLATE . . . . .	14
		—*—	
18	6352126-13	. . INLET SKIN-LH UPR OUTBD . . . . .	01
- 19	6352126-12	. . INLET SKIN-RH UPR OUTBD . . . . .	01
20	6352126-7	. . INLET SKIN-LH INBD . . . . .	01
- 21	6352126-8	. . INLET SKIN-RH INBD . . . . .	01
22	6352130-24	. . DOUBLER-FWD UPR INBD . . . . .	01
23	6352130-26	. . DOUBLER-FWD LWR INBD . . . . .	01
		ATTACHING PARTS	
24	HL41-4-2	. . PIN-HI-LOK . . . . . V73197	10
25	HL97DU-4	. . COLLAR-HI-LOK . . . . . V73197	10
		—*—	
26	6352130-25	. . DOUBLER-AFT UPR INBD . . . . .	01
27	6352130-27	. . DOUBLER-AFT LWR INBD . . . . .	01
		ATTACHING PARTS	
28	HL41-4-2	. . PIN-HI-LOK . . . . . V73197	18
29	HL97DU-4	. . COLLAR-HI-LOK . . . . . V73197	18
		—*—	
30	6352130-52	. . SKIN DOUBLER-UPR OUTBD . . . . .	01
31	6352130-53	. . SKIN DOUBLER-SPLIT OUTBD . . . . .	01
32	6355502-3	. . BRACKET ASSY . . . . .	01
33	6352130-7	. . CLOSEOUT ASSY-FWD UPR . . . . .	01
34	6352130-11	. . CLOSEOUT ASSY-FWD LWR . . . . .	01
35	6352130-48	. . CLOSEOUT ASSY-LH AFT . . . . .	01
36	6352130-49	. . CLOSEOUT ASSY-RH AFT . . . . .	01

- ITEM NOT ILLUSTRATED

CESSNA®  
MODEL 525 (SERIALS -0685 AND -0800 AND ON)  
ILLUSTRATED PARTS CATALOG

A88892



ENGINE NACELLE AIR INLETS  
FIGURE 01 (SHEET 2)

6310T1001A  
A6352T1045  
B6352T1047  
C6352T1048

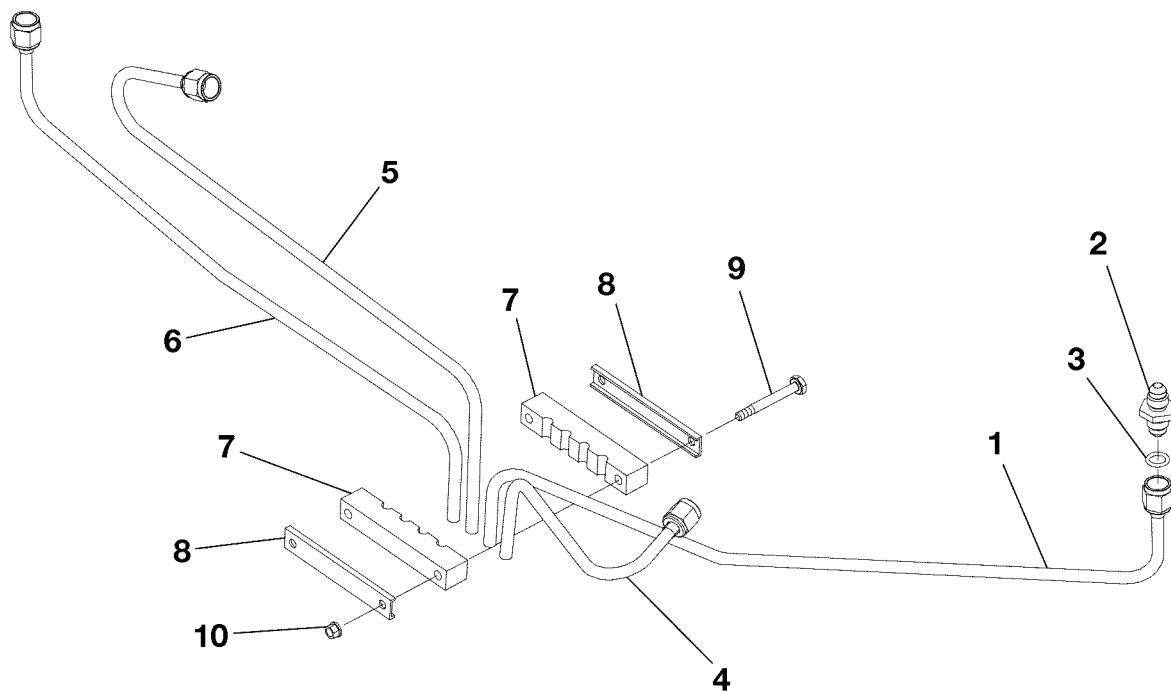
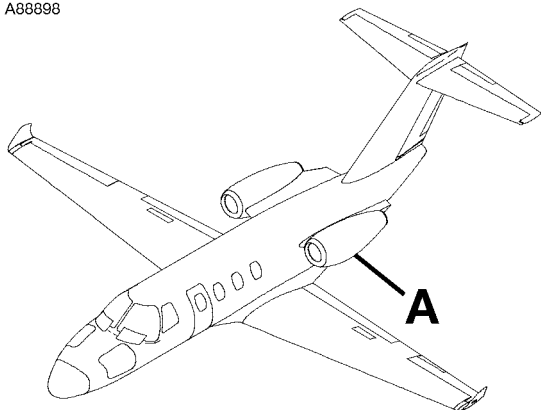
CESSNA®  
**MODEL 525 (SERIALS -0685 AND -0800 AND ON)**  
 ILLUSTRATED PARTS CATALOG

FIG ITEM	PART NUMBER	1 2 3 4 5 6 7	NOMENCLATURE	UNITS
				PER ASSY
01				
75	6352130-32		.. SENSOR MOUNT . . . . .	01
			.. ATTACHING PARTS	
76	HL41-5-7		.. PIN-HI-LOK . . . . . V73197	03
77	HL97DU-5		.. COLLAR-HI-LOK . . . . . V73197	03
			.. * ..	
78	6352130-38		.. PLATE-LWR . . . . .	01
			.. ATTACHING PARTS	
79	MS24693-S268		.. SCREW . . . . .	03
80	MS21209F1-15		.. INSERT . . . . .	03
			.. * ..	
81	6352130-39		.. PLATE-UPR . . . . .	01
			.. ATTACHING PARTS	
82	AN3C5A		.. BOLT . . . . .	03
83	AN970-3		.. WASHER . . . . .	03
84	MS35489-10		.. GROMMET . . . . .	03
85	NAS43DD3-25FC		.. SPACER . . . . .	03
86	S1477-3A		.. NUT . . . . .	03
			.. * ..	
87	NAS8603-3		.. BOLT . . . . .	03
88	NAS1149F0332P		.. WASHER . . . . .	01
89	NAS1149F0363P		.. WASHER . . . . .	02
90	MS21042-3		.. NUT . . . . .	03
91	S2876-1BB6		.. JUMPER . . . . .	01
92	S2554-12-0.22		.. HOSE-BKI . . . . .	AR
93	6252019-10		.. SUPPORT-TEMP SWITCH . . . . .	01
94	1173T0759		.. TEMPERATURE SWITCH . . . . . V98087	01
95	S3278C5		.. O-RING . . . . .	01
96	AN743P13		.. BRACKET . . . . .	01

- ITEM NOT ILLUSTRATED

CESSNA®  
MODEL 525 (SERIALS -0685 AND -0800 AND ON)  
ILLUSTRATED PARTS CATALOG

A88898



**DETAIL A**

POWER PLANT DRAIN LINES  
FIGURE 01 (SHEET 1)

6310T1168  
A6355T1041

CESSNA®  
**MODEL 525 (SERIALS -0685 AND -0800 AND ON)**  
 ILLUSTRATED PARTS CATALOG

FIG ITEM	PART NUMBER	NOMENCLATURE	UNITS
			PER ASSY
01			
-		POWER PLANT DRAIN LINES	RF
1	6355534-19	. TUBE ASSY-ENGINE HYDRAULIC PUMP DRAIN . . . . .	02
2	AS5174D0404	. UNION . . . . .	01
3	MS29512-04	. O-RING . . . . .	01
4	6355534-16	. TUBE ASSY-ENGINE FUEL DELIVERY UNIT DRAIN . . . . .	02
5	6355534-17	. TUBE ASSY-ENGINE COMBUSTER/DIFFUSER DRAIN . . . . .	02
6	6355534-18	. TUBE ASSY-ENGINE LOW PRESSURE TURBINE DRAIN . . . . .	02
7	S3724F3	. CUSHION . . . . .	04
8	S3184-16	. CLAMP . . . . .	04
9	AN3-15A	. BOLT . . . . .	04
10	MS21042-3	. NUT . . . . .	04

- ITEM NOT ILLUSTRATED





**CHAPTER**

**73**

**ENGINE  
FUEL AND  
CONTROL**



CESSNA®  
**MODEL 525 (SERIALS -0685 AND -0800 AND ON)**  
ILLUSTRATED PARTS CATALOG

<b>CHAPTER SECTION SUBJECT</b>		<b>NUMBER OF PAGES</b>	<b>DATE</b>
73 - TITLE			
73 - LIST OF EFFECTIVE PAGES			
73 - RECORD OF TEMPORARY REVISIONS			
73 - TABLE OF CONTENTS			
73-10-00	Figure 01	2	Jun 1/2018
73-30-00	Figure 01	2	Nov 1/2013





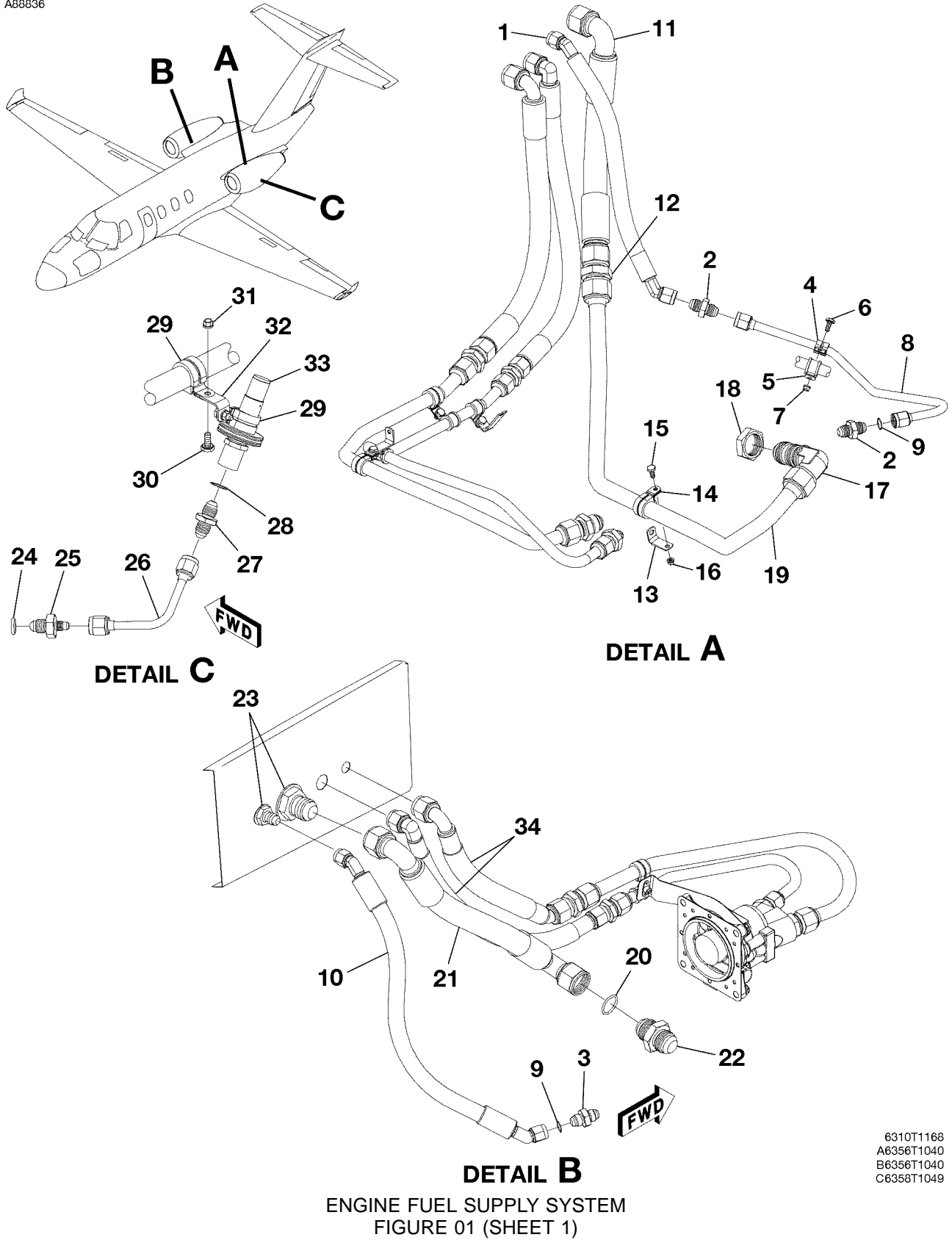


CESSNA®  
**MODEL 525 (SERIALS -0685 AND -0800 AND ON)**  
ILLUSTRATED PARTS CATALOG

<u>SUBJECT</u>	<u>CHAPTER</u>	<u>FIGURE</u>	<u>EFFECTIVITY</u>	
	<u>SECTION</u>		<u>START</u>	<u>END</u>
	<u>SUBJECT</u>			
ENGINE FUEL SUPPLY SYSTEM	73-10-00	01		
ENGINE FUEL INDICATING SYSTEM	73-30-00	01		

CESSNA®  
**MODEL 525 (SERIALS -0685 AND -0800 AND ON)**  
 ILLUSTRATED PARTS CATALOG

A88836



6310T1168  
 A6356T1040  
 B6356T1040  
 C6358T1049



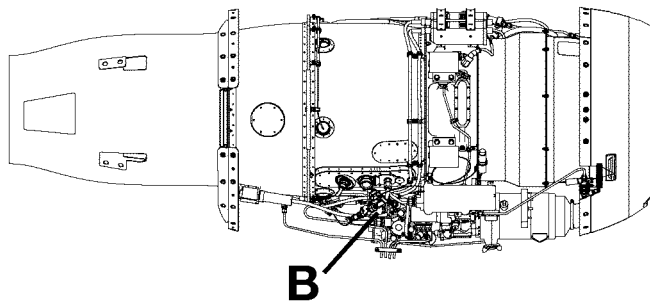
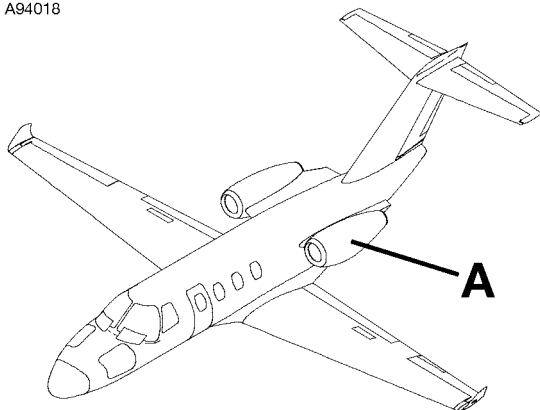
CESSNA®  
**MODEL 525 (SERIALS -0685 AND -0800 AND ON)**  
 ILLUSTRATED PARTS CATALOG

FIG ITEM	PART NUMBER	NOMENCLATURE	UNITS PER ASSY			
			1	2	3	4
01		ENGINE FUEL SUPPLY SYSTEM				RF
-						
1	AE6208G0133-220	. HOSE ASSY-LH MOTIVE FLOW . . . . . V00624				01
2	AS5174J0606	. UNION-LH . . . . .	0800	0984		02 R
- 2A	AS5174-0606	. UNION-LH . . . . .	0985	& ON		02 R
3	AS5174-0606	. UNION-RH . . . . .				01
4	MS21919WCJ6	. CLAMP-LH . . . . .				01
5	MS21919WCJ8	. CLAMP-LH . . . . .				01
		ATTACHING PARTS				
6	AN3C3A	. BOLT-LH . . . . .				01
7	MS21042-3	. NUT-LH . . . . .				01
		—*—				
8	6356026-2	. TUBE ASSY-LH MOTIVE FLOW . . . . .				01
9	M83248/1-906	. O-RING . . . . .				02
10	AE6208G0186-220	. HOSE ASSY-RH MOTIVE FLOW . . . . .				01
11	AE3663163K0110	. HOSE ASSY-LH FUEL MAIN . . . . . V00624				01
12	AS5174J1212	. UNION-LH . . . . .	0800	0984		01 R
- 12A	AS5174-0606	. UNION-LH . . . . .	0985	& ON		01 R
13	DDA06624-1	. BRACKET REF 6356025 REFER TO NOTE 1 . . . . .	0800	0825		01
- 13A	S3001-27	. BRACKET . . . . .	0826	& ON		01
14	MS21919WCJ12	. CLAMP-LH . . . . .				01
		ATTACHING PARTS				
15	AN3C3A	. BOLT . . . . .				01
16	MS21043-3	. NUT . . . . .				01
		—*—				
17	AN833-12J	. ELBOW-LH . . . . .	0800	0984		01 R
- 17A	AN833-12	. ELBOW-LH . . . . .	0985	& ON		01 R
18	AN924-12J	. NUT-LH . . . . .	0800	0984		01 R
- 18A	AN924-12	. NUT-LH . . . . .	0985	& ON		01 R
19	6356026-5	. TUBE ASSY-LH FUEL MAIN . . . . .				01
20	M83248/1-912	. O-RING . . . . .				02
21	AE6210K0130-170	. HOSE ASSY-RH FUEL MAIN . . . . .				01
22	AS5174-1212	. UNION-RH . . . . .				01
23		. FUEL DISTRIBUTION SYSTEM-FUSELAGE REFER TO 28-20-00 FIGURE 02 . . . . .				RF
24	MS29512-02	. O-RING . . . . .				02
25	AS5174-0402	. REDUCER . . . . .				02
26	6355531-8	. TUBE ASSY . . . . .				02
27	AS5174-0404	. UNION . . . . .				02
28	MS29512-04	. O-RING . . . . .				02
29	MS21919WCJ10	. CLAMP . . . . .				04
		ATTACHING PARTS				
30	AN3-3A	. BOLT . . . . .				02
31	MS21042-3	. NUT . . . . .				02
		—*—				
32	MS9592-054	. BRACKET . . . . .				02
33	9912033-2	. SWITCH-FUEL PRESSURE . . . . .				02
34		. HYDRAULIC SYSTEM REFER TO 29-10-00 FIGURE 01 . . . . .				RF

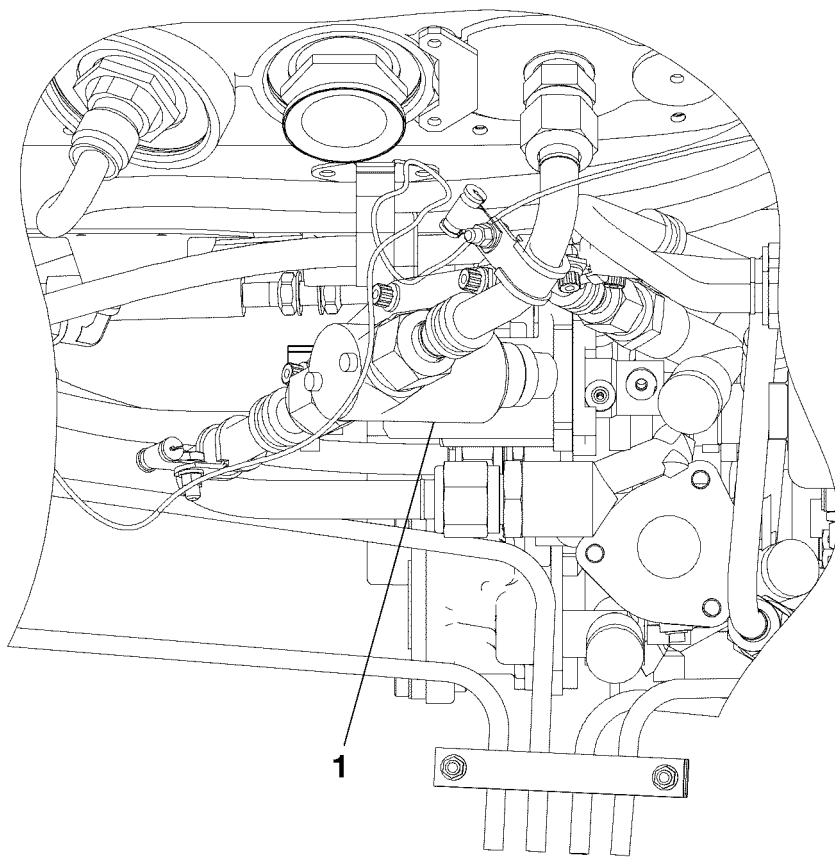
NOTE 1—WHEN ORDERING DDA PART NUMBERS, ALSO PROVIDE REFERENCE DRAWING NUMBER SHOWN IN NOMENCLATURE COLUMN.

CESSNA®  
**MODEL 525 (SERIALS -0685 AND -0800 AND ON)**  
ILLUSTRATED PARTS CATALOG

A94018



**DETAIL A**  
View Looking Outboard



**DETAIL B**  
View Looking Outboard

ENGINE FUEL INDICATING SYSTEM  
FIGURE 01 (SHEET 1)

6310T1168  
AB6355T025-3

CESSNA®  
**MODEL 525 (SERIALS -0685 AND -0800 AND ON)**  
 ILLUSTRATED PARTS CATALOG

FIG ITEM	PART NUMBER	1 2 3 4 5 6 7 NOMENCLATURE	UNITS PER ASSY
01		ENGINE FUEL INDICATING SYSTEM	RF
-			
1	9912417-1	. TRANSMITTER-LH FUEL FLOW UD002 .....	01
2	9912417-1	. TRANSMITTER-RH FUEL FLOW UE009 .....	01

- ITEM NOT ILLUSTRATED



**CHAPTER**

**76**

**ENGINE CONTROLS**



CESSNA®  
**MODEL 525 (SERIALS -0685 AND -0800 AND ON)**  
ILLUSTRATED PARTS CATALOG

<b>CHAPTER SECTION SUBJECT</b>		<b>NUMBER OF PAGES</b>	<b>DATE</b>
76 - TITLE			
76 - LIST OF EFFECTIVE PAGES			
76 - RECORD OF TEMPORARY REVISIONS			
76 - TABLE OF CONTENTS			
76-10-01	Figure 01	4	Dec 1/2017
76-10-01	Figure 02	4	Dec 1/2017
76-10-01	Figure 03	2	Nov 1/2013
76-12-00	Figure 01	2	Nov 1/2013







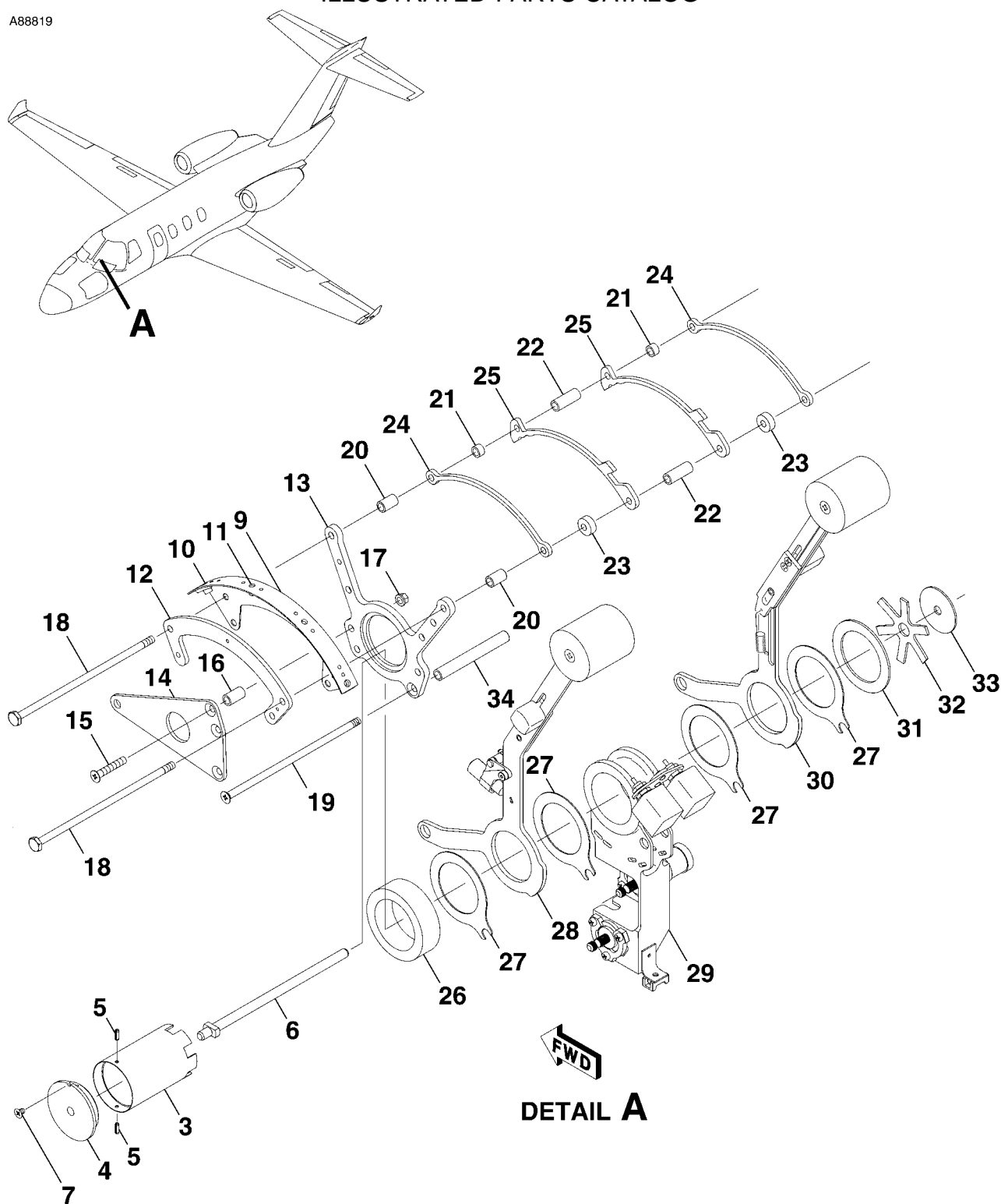


CESSNA®  
**MODEL 525 (SERIALS -0685 AND -0800 AND ON)**  
ILLUSTRATED PARTS CATALOG

<u>SUBJECT</u>	<u>CHAPTER</u>	<u>FIGURE</u>	<u>EFFECTIVITY</u>	
	<u>SECTION</u>		<u>START</u>	<u>END</u>
	<u>SUBJECT</u>			
CONTROL QUADRANT ASSEMBLY	76-10-01	01		
CONTROL QUADRANT - SWITCHES AND LEVERS	76-10-01	02		
CONTROL QUADRANT INSTALLATION	76-10-01	03		
FADEC INSTALLATION	76-12-00	01		

CESSNA®  
**MODEL 525 (SERIALS -0685 AND -0800 AND ON)**  
 ILLUSTRATED PARTS CATALOG

A88819



CONTROL QUADRANT ASSEMBLY  
 FIGURE 01 (SHEET 1)

6310T1168  
 A6365T1006

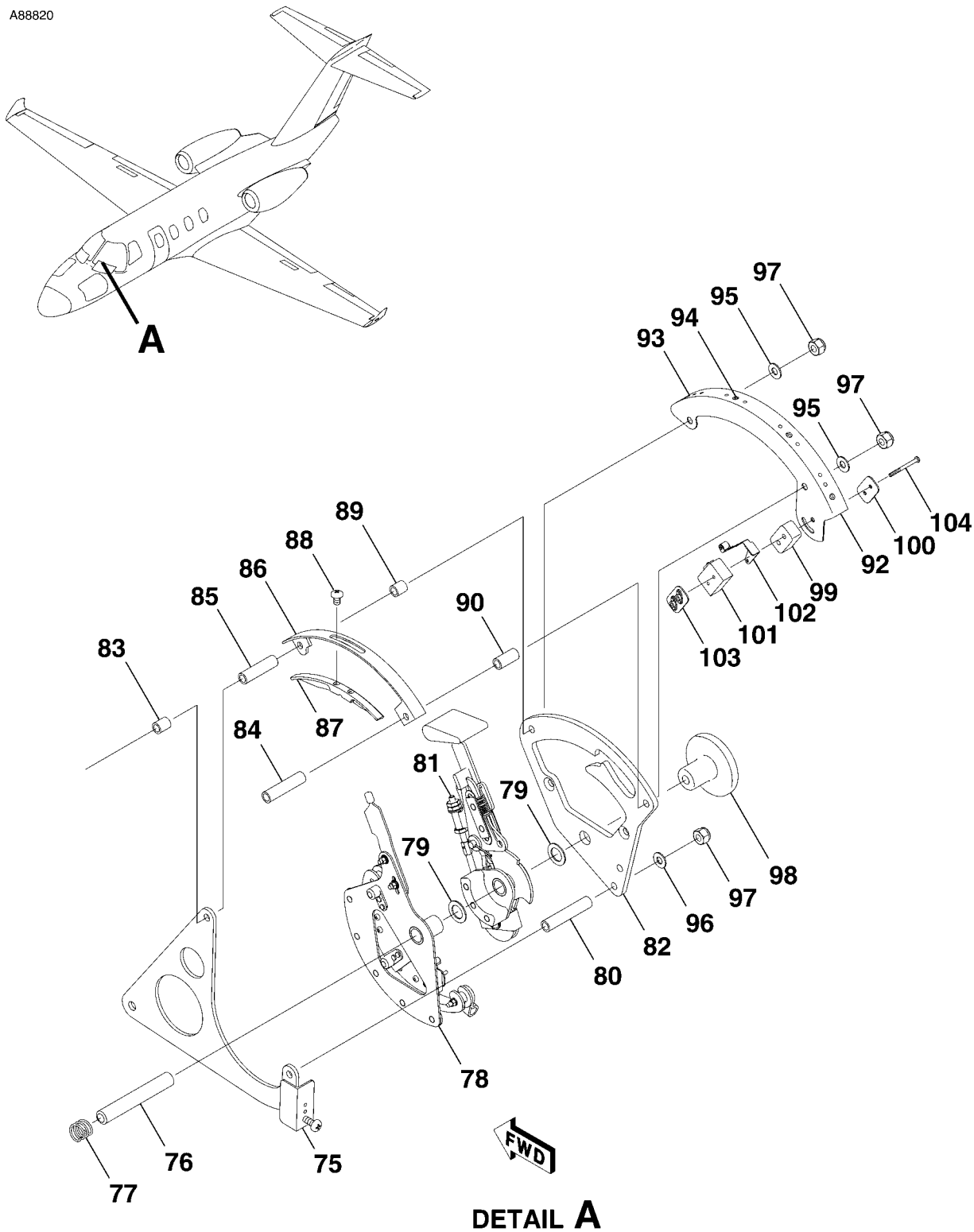
CESSNA®  
**MODEL 525 (SERIALS -0685 AND -0800 AND ON)**  
 ILLUSTRATED PARTS CATALOG

FIG ITEM	PART NUMBER	NOMENCLATURE	UNITS	
			PER	ASSY
01		CONTROL QUADRANT ASSEMBLY		RF
-				
- 1	6365840-4	. CONTROL QUADRANT ASSY FSO 6365840-5 . . . . .	0800	0987 NP R
- 1A	6365840-5	. CONTROL QUADRANT ASSY . . . . .	0988	& ON 01 R
- 2	6365841-18	. . HUB ASSY . . . . .		01
3	6365841-17	. . HUB . . . . .		01
4	0861219-1	. . . RETAINER . . . . .		01
5	NAS561P3-5	. . . PIN . . . . .		02
6	6365841-14	. . . STUD . . . . .		01
7	MS24693-S23	. . . SCREW-LOCK . . . . .		01
- 8	6365841-13	. . MOUNT BRACKET ASSY-LH . . . . .		01
9	6365802-128	. . . MOUNT BRACKET . . . . .		01
10	MS21061L08K	. . . NUTPLATE . . . . .		02
11	MS21060L08K	. . . NUTPLATE . . . . .		02
- 11A	NAS686C08MK	. . . NUTPLATE ALT FOR MS21060L08K . . . . .		02 R
12	5565254-2	. . . PLATE . . . . .		01 R
13	6365821-13	. . . END PLATE . . . . .		01 R
14	6365802-145	. . . PLATE CAM PIVOT . . . . .		01 R
15	MS24694-S59	. . . SCREW . . . . .		02 R
16	NAS43DD3-35FC	. . . SPACER . . . . .		02 R
17	MS21042-3	. . . NUT . . . . .		02 R
- 17A	NAS1291X3	. . . NUT ALT FOR MS21042-3 . . . . .		02 R
18	AN3-51A	. . . BOLT . . . . .		02 R
19	NAS333CP50	. . . BOLT . . . . .		01 R
20	NAS43DD3-32FC	. . . SPACER . . . . .		02 R
21	NAS43DD3-12FC	. . . SPACER . . . . .		02 R
22	NAS43DD3-52FC	. . . SPACER . . . . .		02 R
23	6365821-27	. . . SPACER LEVER STOP . . . . .		02 R
24	6365821-28	. . . LEVER RETAINER PLATE . . . . .		02 R
25	6365821-22	. . . DETENT PLATE . . . . .		02 R
26	6365802-2	. . . SPACER . . . . .		01 R
27	0861213-1	. . . FRICTION DISC . . . . .		04 R
28		. . . THROTTLE LEVER ASSY-LH REFER TO 76-10-01 FIGURE 02 . . . . .		RF R
29		. . . RVDI SUPPORT ASSY REFER TO 76-10-01 FIGURE 02 . . . . .		RF R
30		. . . THROTTLE LEVER ASSY-RH REFER TO 76-10-01 FIGURE 02 . . . . .		RF R
31	5565804-9	. . . SPACER . . . . .		01 R
32	5565824-1	. . . SPRING . . . . .		01 R
33	0861209-1	. . . WASHER . . . . .		01 R
34	NAS43DD3-164FC	. . . SPACER . . . . .		01 R

- ITEM NOT ILLUSTRATED

CESSNA®  
MODEL 525 (SERIALS -0685 AND -0800 AND ON)  
ILLUSTRATED PARTS CATALOG

A88820



CONTROL QUADRANT ASSEMBLY  
FIGURE 01 (SHEET 2)

6310T1168  
A6365T1006

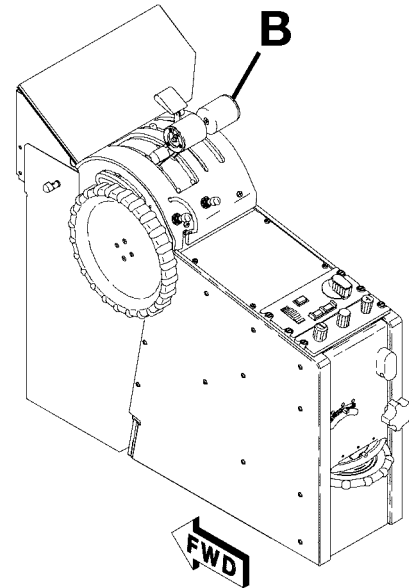
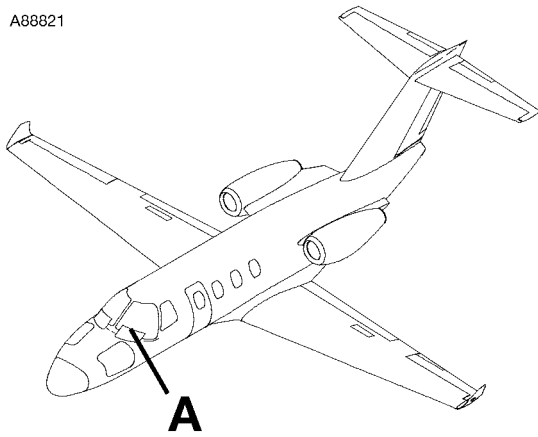
CESSNA®  
**MODEL 525 (SERIALS -0685 AND -0800 AND ON)**  
 ILLUSTRATED PARTS CATALOG

FIG ITEM	PART NUMBER	NOMENCLATURE	UNITS
			PER ASSY
01			
75	6365841-1	. . FLAP SECTOR STOP ASSY . . . . .	01
76	6365841-27	. . BEARING SPACER . . . . .	01
77	5565810-5	. . SPRING . . . . .	01
78		. . SECTOR ASSY REFER TO 76-10-01 FIGURE 02 . . . . .	RF
79	NAS1149F0632P	. . WASHER . . . . .	02
80	NAS43DD3-101FC	. . SPACER . . . . .	01
81		. . LEVER ASSY REFER TO 76-10-01 FIGURE 02 . . . . .	RF
82	6365802-154	. . END PLATE . . . . .	01
83	NAS43DD3-24FC	. . SPACER . . . . .	01
84	NAS43DD3-84FC	. . SPACER . . . . .	01
85	NAS43DD3-74FC	. . SPACER . . . . .	01
86	6365841-9	. . DETENT BRACKET . . . . .	01
87	6365821-19	. . DETENT LOCK . . . . . ATTACHING PARTS	01
88	MS27039-0804	. . SCREW . . . . . —*—	02
89	NAS43DD3-22FC	. . SPACER . . . . .	01
90	NAS43DD3-42FC	. . SPACER . . . . .	01
- 91	6365841-7	. . MOUNT BRACKET ASSY-RH . . . . .	01
92	6365841-8	. . MOUNT BRACKET . . . . .	01
93	MS21061L08K	. . NUTPLATE . . . . .	02
94	MS21060L08K	. . NUTPLATE . . . . .	02
- 94A	NAS686C08MK	. . NUTPLATE ALT FOR MS21060L08K . . . . .	02 R
95	NAS1149F0332P	. . WASHER . . . . .	02 R
96	NAS1149F0363P	. . WASHER . . . . .	01 R
97	MS21044N3	. . NUT . . . . .	03 R
98	5565256-4	. . KNOB ASSY . . . . .	01 R
99	6365802-175	. . SPACER . . . . .	01 R
100	6365035-6	. . PLATE . . . . .	01 R
101	S2088-4	. . SWITCH-SI072 . . . . .	03 R
102	JE5	. . ACTUATOR . . . . . V91929	01 R
103	6365035-5	. . NUTPLATE ASSY . . . . .	01 R
104	NAS1635-02-16	. . SCREW . . . . .	02 R

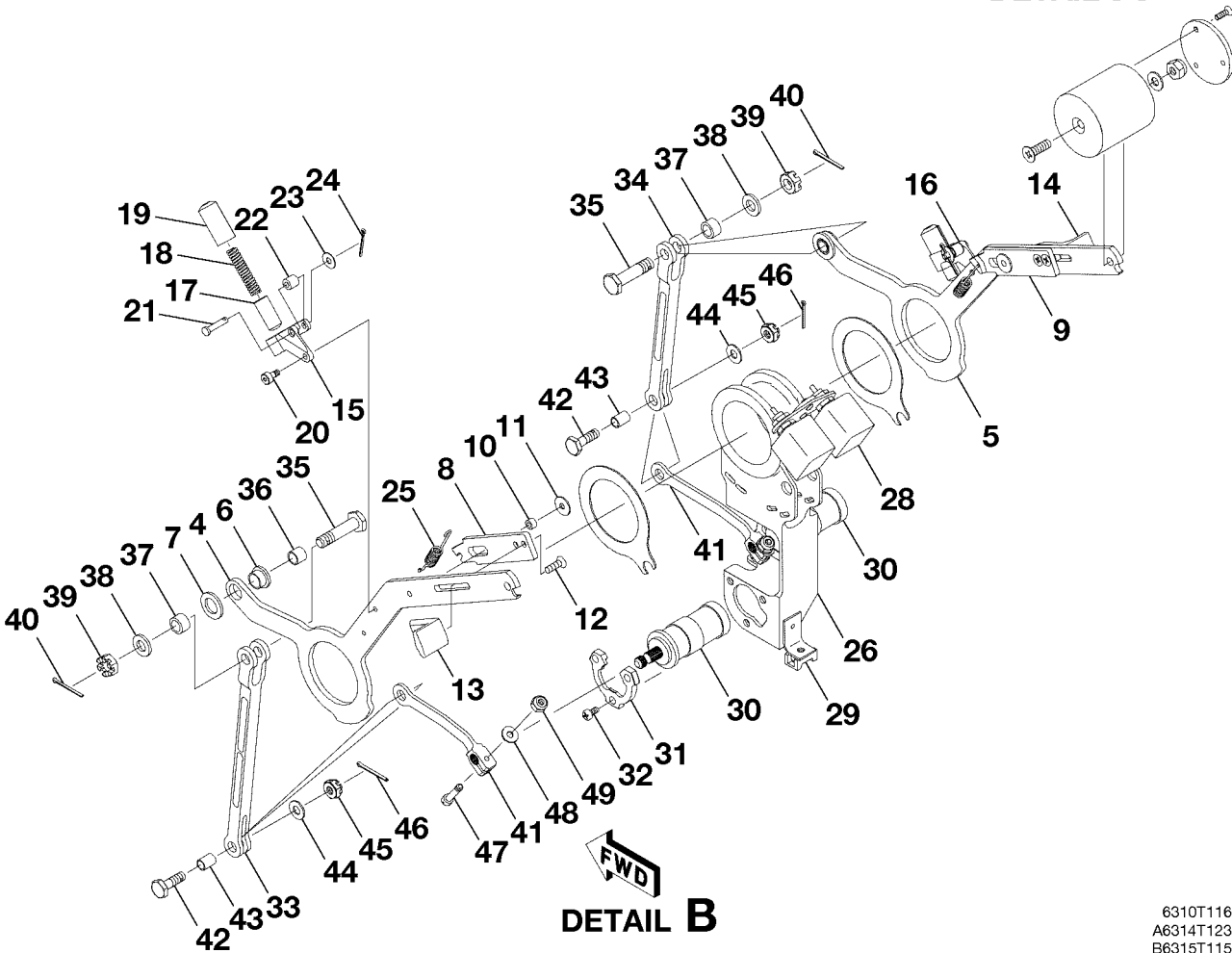
- ITEM NOT ILLUSTRATED

CESSNA®  
**MODEL 525 (SERIALS -0685 AND -0800 AND ON)**  
 ILLUSTRATED PARTS CATALOG

A88821



**DETAIL A**



**DETAIL B**

CONTROL QUADRANT - SWITCHES AND LEVERS  
 FIGURE 02 (SHEET 1)

6310T1168  
 A6314T1237  
 B6315T1156



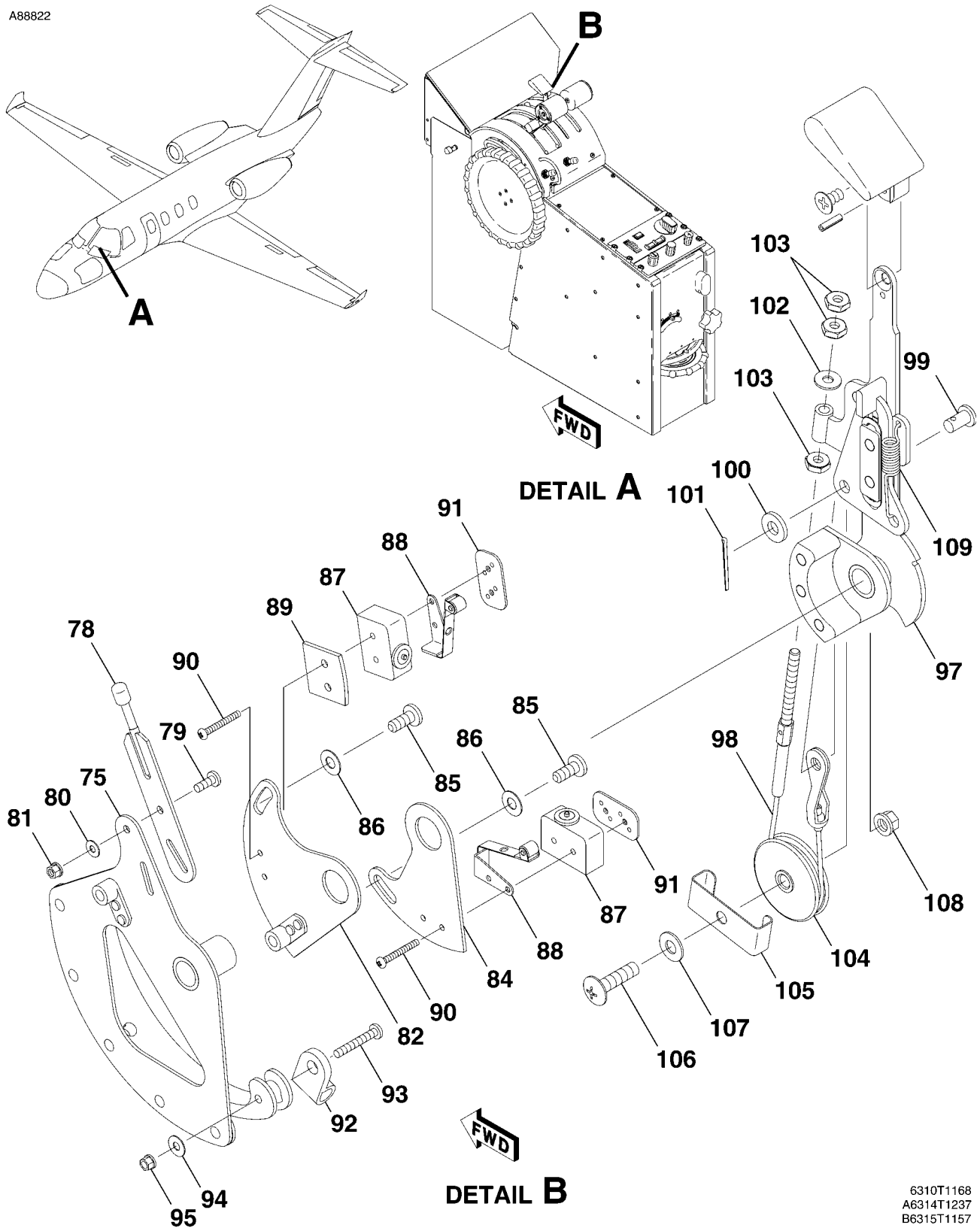
CESSNA®  
**MODEL 525 (SERIALS -0685 AND -0800 AND ON)**  
 ILLUSTRATED PARTS CATALOG

FIG ITEM	PART NUMBER	NOMENCLATURE	UNITS
			PER ASSY
02		CONTROL QUADRANT - SWITCHES AND LEVERS	RF
-		. CONTROL QUADRANT REFER TO 76-10-01 FIGURE 01 . . . . .	RF
- 1		. THROTTLE LEVER ASSY-LH . . . . .	01
- 2	6365842-1	. THROTTLE LEVER ASSY-RH . . . . .	01
- 3	6365842-2	. LEVER ASSY-LH . . . . .	01
4	6365842-3	. LEVER-RH . . . . .	01
5	6365842-6	. BUSHING . . . . .	01
6	5565800-12	. WASHER . . . . .	01
7	5565800-13	. SLIDE-LH . . . . .	01
8	6365821-25	. SLIDE-RH . . . . .	01
9	6365821-26	. SLEEVE . . . . .	01
10	5565803-11	. WASHER . . . . .	01
11	NAS1149CN532R	. SCREW . . . . .	02
12	MS24693-S227	. HANDLE-LH . . . . .	01
13	6365842-7	. HANDLE-RH . . . . .	01
14	6365842-8	. DETENT FOLLOWER-LH . . . . .	01
15	6365821-7	. DETENT FOLLOWER-RH . . . . .	01
16	6365821-8	. PLUNGER . . . . .	01
17	6715191-23	. SPRING . . . . .	01
18	S2951-4	. ADJUSTING SCREW . . . . .	01
19	6715191-24	. ATTACHING PARTS	
20	PZ1-3	. SCREW . . . . . V29440	01
21	6715191-25	. PIN . . . . .	01
22	S1997-2G4	. BEARING . . . . .	01
23	NAS1149CN616R	. WASHER . . . . .	01
24	MS9245-27	. COTTER PIN . . . . .	01
		—*—	
25	5565803-15	. SPRING . . . . .	01
26	6365821-17	. RVDT SUPPORT ASSY . . . . .	01
- 27	MS21209C0615	. INSERT . . . . .	06
28	A4-1134-1	. SWITCH . . . . . V81640	02
29	S3528-5D	. ANCHOR ASSY . . . . .	01
30	3A21200096B	. RVDT POSITION SENSOR . . . . . V19710	02
31	6965205-59	. CLAMP PLATE . . . . .	02
		. ATTACHING PARTS	
32	NAS1191E06P7	. SCREW . . . . .	03
		—*—	
33	6365821-3	. RVDT LINK-LH . . . . .	01
34	6365821-4	. RVDT LINK-RH . . . . .	01
		. ATTACHING PARTS	
35	NAS464-4-12	. BOLT . . . . .	01
36	5565800-11	. SPACER . . . . .	01
37	NAS42HT8-15	. SPACER . . . . .	01
38	NAS1149F0463P	. WASHER . . . . .	01
39	MS17826-4	. NUT . . . . .	01
40	MS24665-134	. COTTER PIN . . . . .	01
		—*—	
41	6965205-38	. RVDT LEVER THROTTLE . . . . .	02
		. ATTACHING PARTS	
42	AN3C5	. BOLT . . . . .	01
43	S2614-3-25	. BUSHING . . . . .	01
44	NAS1149F0332P	. WASHER . . . . .	01
45	AN310C3	. NUT . . . . .	01
46	MS24665-134	. COTTER PIN . . . . .	01
47	NAS1352-06H10P	. SCREW . . . . .	01
48	NAS1149FN632P	. WASHER . . . . .	01
49	MS21044N06	. NUT . . . . .	01
		—*—	

- ITEM NOT ILLUSTRATED

CESSNA®  
**MODEL 525 (SERIALS -0685 AND -0800 AND ON)**  
 ILLUSTRATED PARTS CATALOG

A88822



**CONTROL QUADRANT - SWITCHES AND LEVERS**  
 FIGURE 02 (SHEET 2)

6310T1168  
 A6314T1237  
 B6315T1157

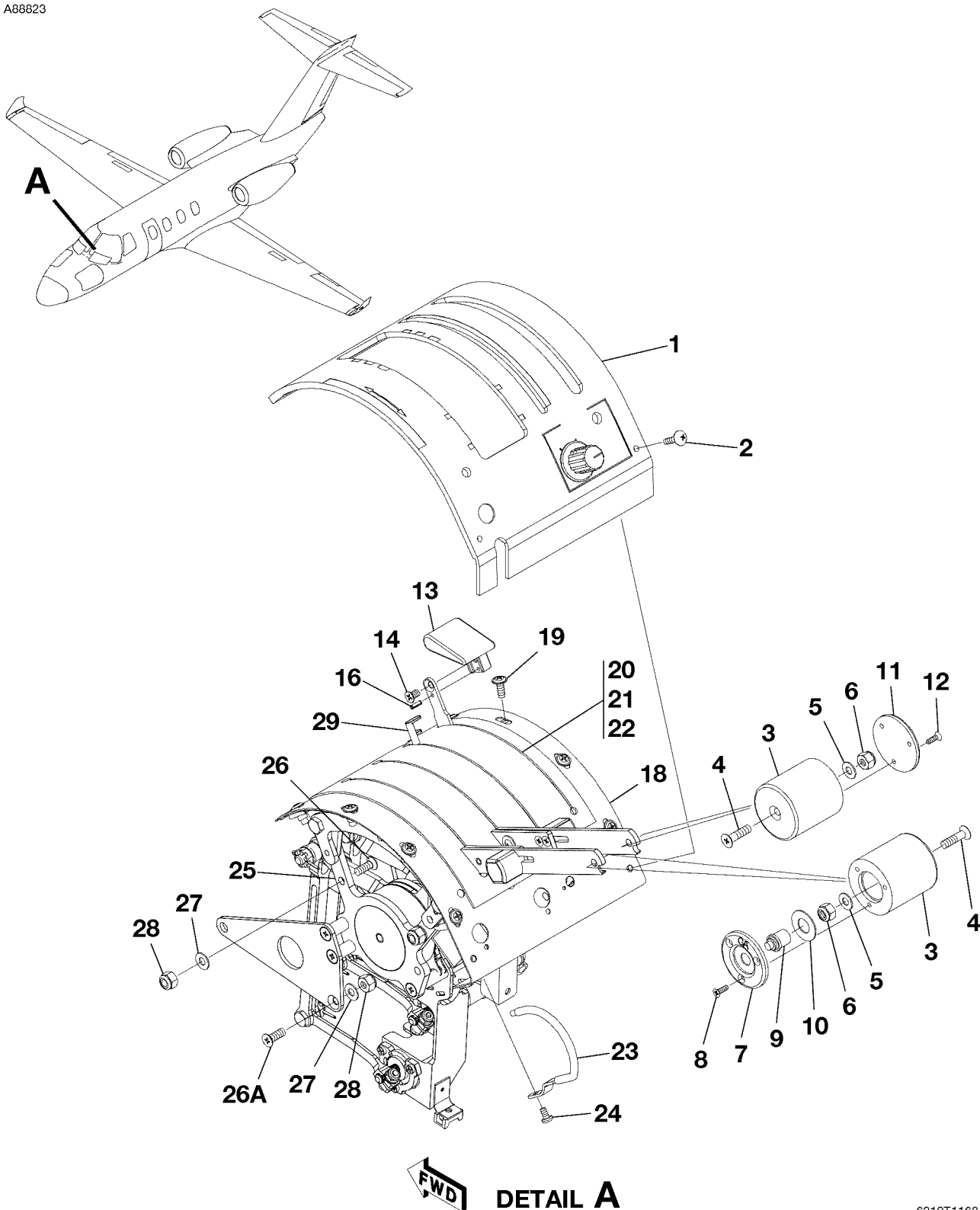
CESSNA®  
**MODEL 525 (SERIALS -0685 AND -0800 AND ON)**  
 ILLUSTRATED PARTS CATALOG

FIG ITEM	PART NUMBER	NOMENCLATURE	UNITS PER ASSY		
			1	2	3
02					
75	6365802-149	. SECTOR ASSY . . . . .	0800	0987	01 R
- 75A	6365841-38	. SECTOR ASSY . . . . .	0988	& ON	01 R
- 76	6365802-146	. . . SECTOR . . . . .			01 R
- 77	6365802-148	. . . BASE ASSY FSO 6365841-39 . . . . .	0800	0987	NP R
- 77A	6365841-39	. . . BASE ASSY . . . . .	0988	& ON	01 R
78	6365841-25	. . . ARM ASSY . . . . .			01 R
		. . . ATTACHING PARTS . . . . .			
79	MS35206-214	. . . SCREW . . . . .			02 R
80	NAS1149FN316P	. . . WASHER . . . . .			02 R
81	MS21042L04	. . . NUT . . . . .			02 R
- 81A	NAS1291-04	. . . NUT ALT FOR MS21042L04 . . . . .			02 R
		. . . * . . . . .			
82	6365802-157	. . . SWITCH PLATE ASSY . . . . .			01
- 83	MS21071L08	. . . NUTPLATE . . . . .			01
84	6365802-156	. . . SWITCH PLATE . . . . .			01
		. . . ATTACHING PARTS . . . . .			
85	MS27039-0806	. . . SCREW . . . . .			02
86	NAS1149FN816P	. . . WASHER . . . . .			02
		. . . * . . . . .			
87	S2088-4	. . . SWITCH . . . . .			06
88	JE5	. . . ACTUATOR . . . . .			02
89	5565820-9	. . . SPACER . . . . .			01
		. . . ATTACHING PARTS . . . . .			
90	NAS1635-02-12	. . . SCREW . . . . .			02
91	6365035-5	. . . NUTPLATE ASSY . . . . .			02
		. . . * . . . . .			
92	S1155-4	. . . CLAMP . . . . .			01
		. . . ATTACHING PARTS . . . . .			
93	MS35206-219	. . . SCREW . . . . .			01
94	NAS1149FN416P	. . . WASHER . . . . .			01
95	MS21042L04	. . . NUT . . . . .			01 R
- 95A	NAS1291-04	. . . NUT ALT FOR MS21042L04 . . . . .			01 R
		. . . * . . . . .			
- 96	6365841-29	. . . LEVER ASSY . . . . .			01 R
97	6365841-32	. . . LEVER BASE ASSY . . . . .			01 R
98	6365802-117	. . . CABLE ASSY . . . . .			01 R
		. . . ATTACHING PARTS . . . . .			
99	MS20392-2C7	. . . PIN . . . . .			01 R
100	NAS1149F0363P	. . . WASHER . . . . .			01 R
101	MS24665-71	. . . COTTER PIN . . . . .			01 R
102	NAS1149FN632P	. . . WASHER . . . . .			01 R
103	AN315-640R	. . . NUT . . . . .			03 R
		. . . * . . . . .			
104	S378-1L	. . . PULLEY . . . . .			01 R
105	6365802-102	. . . CABLE GUARD . . . . .			01 R
		. . . ATTACHING PARTS . . . . .			
106	AN525-10R12	. . . SCREW . . . . .			01 R
107	NAS1149F0332P	. . . WASHER . . . . .			01 R
108	MS21043-3	. . . NUT . . . . .			01 R
- 108A	NAS1291C3	. . . NUT ALT FOR MS21043-3 . . . . .			01 R
		. . . * . . . . .			
109	5565803-15	. . . SPRING . . . . .			01 R

- ITEM NOT ILLUSTRATED

CESSNA®  
**MODEL 525 (SERIALS -0685 AND -0800 AND ON)**  
 ILLUSTRATED PARTS CATALOG

A88823



**DETAIL A**  
 CONTROL QUADRANT INSTALLATION  
 FIGURE 03 (SHEET 1)

6310T1168  
 A2660T1018

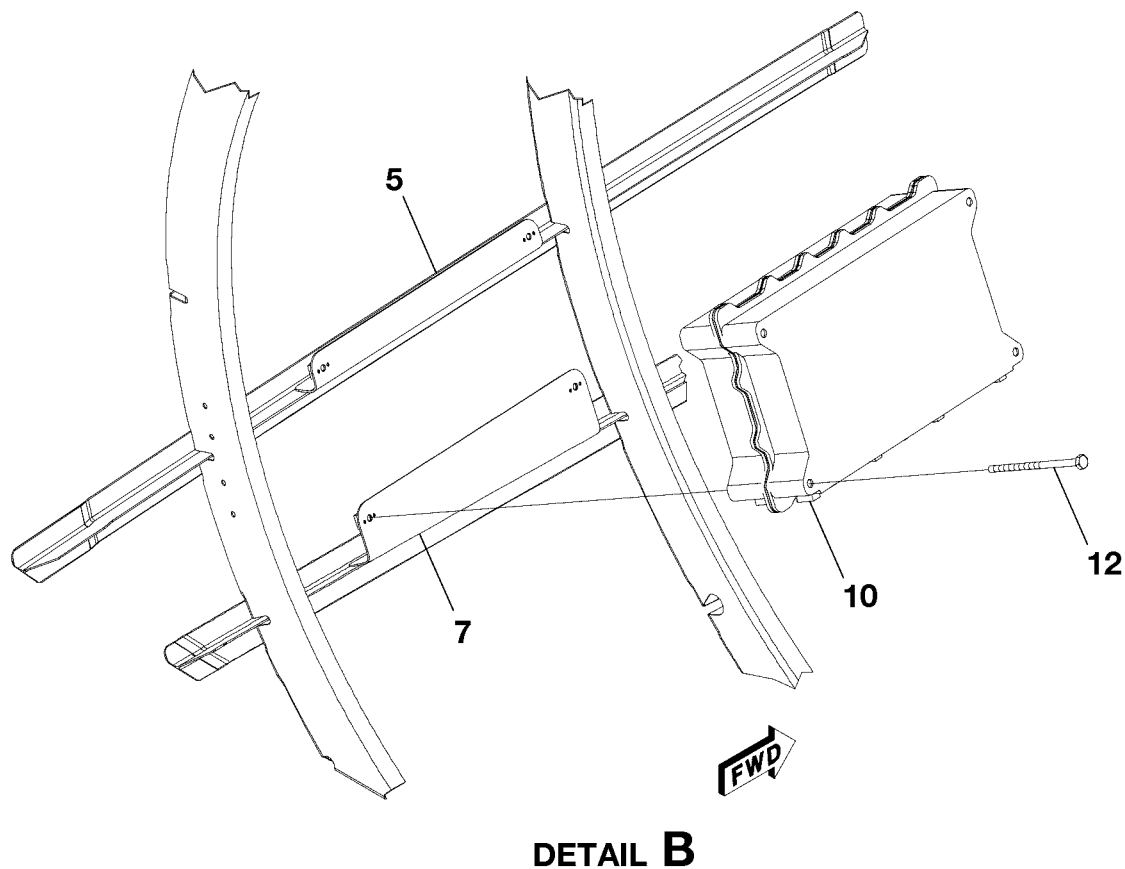
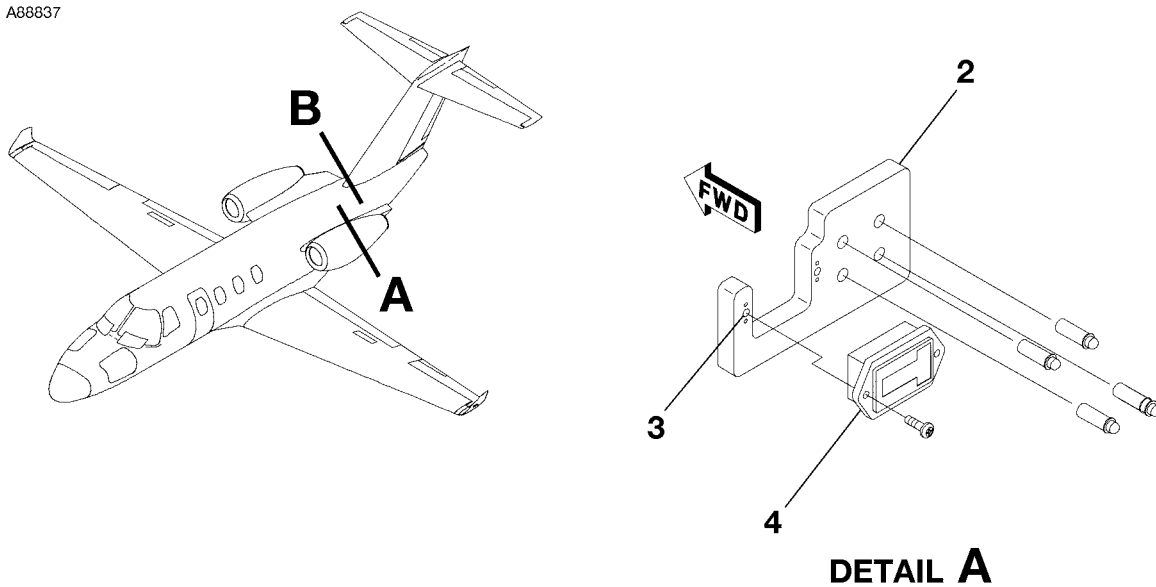
CESSNA®  
**MODEL 525 (SERIALS -0685 AND -0800 AND ON)**  
 ILLUSTRATED PARTS CATALOG

FIG ITEM	PART NUMBER	NOMENCLATURE	UNITS
			PER ASSY
		1 2 3 4 5 6 7	
03		CONTROL QUADRANT INSTALLATION	RF
-		. ELECTROLUMINESCENT PANEL REFER TO 33-10-00 FIGURE 02 . . . . .	RF
1		. SCREW . . . . .	04
2	CM3558-6-10B	. KNOB . . . . .	02
3	6365802-33	ATTACHING PARTS	
4	MS24693-274B	. SCREW . . . . .	01
5	NAS1149F0332P	. WASHER . . . . .	01
6	MS21044N3	. NUT . . . . .	01
		—*—	
7	5565810-25	. SWITCH GUARD . . . . .	01
		ATTACHING PARTS	
8	MS35190-223	. SCREW . . . . .	03
		—*—	
9	601-4301	. SWITCH . . . . . V81579	01
10	6365802-37	. WASHER . . . . .	01
11	6365802-34	. COVER PLATE . . . . .	01
		ATTACHING PARTS	
12	MS35190-223	. SCREW . . . . .	03
		—*—	
13	6365802-107	. KNOB . . . . .	01
14	MS24694-S3	. SCREW . . . . .	01
-	AN509-8-6	. SCREW ALT FOR MS24694-S3 . . . . .	01
16	MS16562-23	. PIN . . . . .	01
-	NAS561P3-6	. PIN ALT FOR MS16562-23 . . . . .	01
18	6365841-36	. COVER ASSY . . . . .	01
19	AN525-832R7	. SCREW . . . . .	08
20	5565703-25	. STRAP ASSY . . . . .	01
21	MS24693-BB24	. SCREW . . . . .	02
22	6365841-22	. SLOT COVER . . . . .	01
23	6365841-35	. GUARD ASSY . . . . .	01
		ATTACHING PARTS	
24	MS35206-228	. SCREW . . . . .	02
		—*—	
25		. CONTROL QUADRANT ASSY REFER TO 76-10-01 FIGURE 01 . . . . .	RF
26	MS24694-S50	. SCREW . . . . .	04
26A	MS24694-S56	. SCREW . . . . .	01
27	NAS1149F0332P	. WASHER . . . . .	05
28	MS21044N3	. NUT . . . . .	05
29	6360847-2	. INDICATOR-ELEVATOR TRIM . . . . .	01

- ITEM NOT ILLUSTRATED

CESSNA®  
MODEL 525 (SERIALS -0685 AND -0800 AND ON)  
ILLUSTRATED PARTS CATALOG

A88837



FADEC INSTALLATION  
FIGURE 01 (SHEET 1)

6310T1168  
A6318T1595  
B6318T1591

CESSNA®  
**MODEL 525 (SERIALS -0685 AND -0800 AND ON)**  
 ILLUSTRATED PARTS CATALOG

FIG ITEM	PART NUMBER	NOMENCLATURE	UNITS PER ASSY
	1 2 3 4 5 6 7		
01		FADEC INSTALLATION	RF
-			
- 1	6318318-6	. ANNUNCIATOR PANEL ASSY-FADEC . . . . .	01
2	6318318-3	. . ANNUNCIATOR PANEL . . . . .	01
3	MS21047L06	. . NUTPLATE . . . . .	02
4		. HOURMETER REFER TO 21-50-02 FIGURE 01. . . . .	RF
5	6318317-3	. BRACKET ASSY-UPPER . . . . .	02
- 6	MS21061L3	. . NUTPLATE . . . . .	02
7	6318317-5	. BRACKET ASSY-LH LOWER . . . . .	01
- 8	6318317-4	. BRACKET ASSY-RH LOWER . . . . .	01
- 9	MS21061L3	. . NUTPLATE . . . . .	01
10	9912680-4	. FADEC-LH UT007 . . . . .	01
- 11	9912680-4	. FADEC-RH UT008 . . . . .	01
		ATTACHING PARTS	
12	AN3-33A	. BOLT . . . . .	04
		—*—	

- ITEM NOT ILLUSTRATED





**CHAPTER**

**77**

**ENGINE INDICATING**



CESSNA®  
**MODEL 525 (SERIALS -0685 AND -0800 AND ON)**  
ILLUSTRATED PARTS CATALOG

<b>CHAPTER SECTION SUBJECT</b>	<b>NUMBER OF PAGES</b>	<b>DATE</b>
77 - TITLE		
77 - LIST OF EFFECTIVE PAGES		
77 - RECORD OF TEMPORARY REVISIONS		
77 - TABLE OF CONTENTS		
77-40-05	Figure 01 2	Jun 1/2015





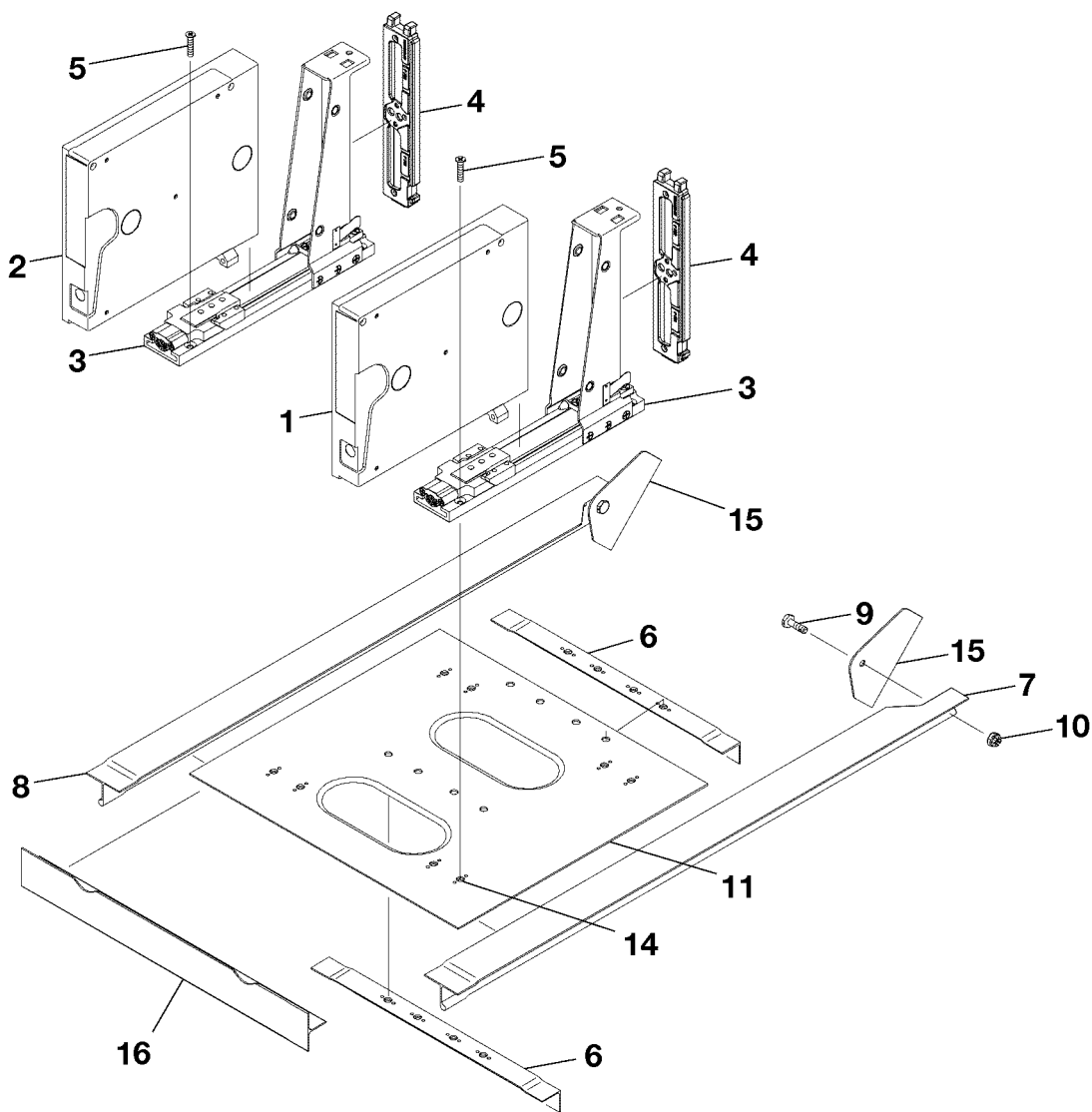
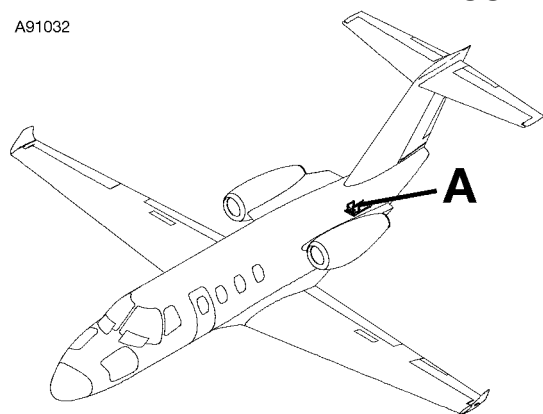


CESSNA®  
**MODEL 525 (SERIALS -0685 AND -0800 AND ON)**  
ILLUSTRATED PARTS CATALOG

<u>SUBJECT</u>	<u>CHAPTER SECTION SUBJECT</u>	<u>FIGURE</u>	<u>EFFECTIVITY</u>	
			<u>START</u>	<u>END</u>
GARMIN GEA-7100 ENGINE/AIRFRAME INTERFACE UNIT	77-40-05	01		

CESSNA®  
MODEL 525 (SERIALS -0685 AND -0800 AND ON)  
ILLUSTRATED PARTS CATALOG

A91032



**DETAIL A**

GARMIN GEA-7100 ENGINE/AIRFRAME INTERFACE UNIT  
FIGURE 01 (SHEET 1)

6310T1168  
A6318T1969



CESSNA®  
**MODEL 525 (SERIALS -0685 AND -0800 AND ON)**  
 ILLUSTRATED PARTS CATALOG

FIG ITEM	PART NUMBER	NOMENCLATURE	UNITS		
			PER	ASSY	
01		GARMIN GEA-7100 ENGINE/AIRFRAME INTERFACE UNIT			RF
-					
1	011-00831-05	. GEA 7100 ENGINE INTERFACE UNIT-LH UT401 . . . . . V0TRC3			01
2	011-00831-05	. GEA 7100 ENGINE INTERFACE UNIT-RH UT402 . . . . . V0TRC3			01
3	011-02419-00	. STAND ALONE RACK . . . . . V0TRC3			02
4	011-00796-00	. BACKPLATE ASSY . . . . . V0TRC3			02
		ATTACHING PARTS			
5	MS24693-S52	. SCREW . . . . .			04
		—*—			
6	9154710-8	. ANGLE . . . . .			02
7	9154710-14	. TEE-LH . . . . .			01
8	9154710-13	. TEE-RH . . . . .			01
		ATTACHING PARTS			
9	AN3-3	. BOLT . . . . .	0800	0842	02 R
- 9A	AN3-3A	. BOLT . . . . .	0843	& ON	02 R
10	AN310-3	. NUT . . . . .	0800	0842	02 R
- 10A	MS21042-3	. NUT . . . . .	0843	& ON	02 R
		—*—			
11	9154710-11	. SHELF ASSY . . . . .			01
- 12	MS21075-08N	. . NUTPLATE . . . . .			08 R
- 13	9154710-12	. . SHELF . . . . .			01 R
14	MS21075-08N	. NUTPLATE . . . . .			08 R
15	9154710-9	. BRACKET . . . . .			02 R
16	9154710-5	. TEE-FWD . . . . .			01 R

- ITEM NOT ILLUSTRATED



**CHAPTER**

**78**

**EXHAUST**



CESSNA®  
**MODEL 525 (SERIALS -0685 AND -0800 AND ON)**  
ILLUSTRATED PARTS CATALOG

<b>CHAPTER SECTION SUBJECT</b>	<b>NUMBER OF PAGES</b>	<b>DATE</b>
78 - TITLE		
78 - LIST OF EFFECTIVE PAGES		
78 - RECORD OF TEMPORARY REVISIONS		
78 - TABLE OF CONTENTS		
78-10-00	Figure 01 2	Nov 1/2013







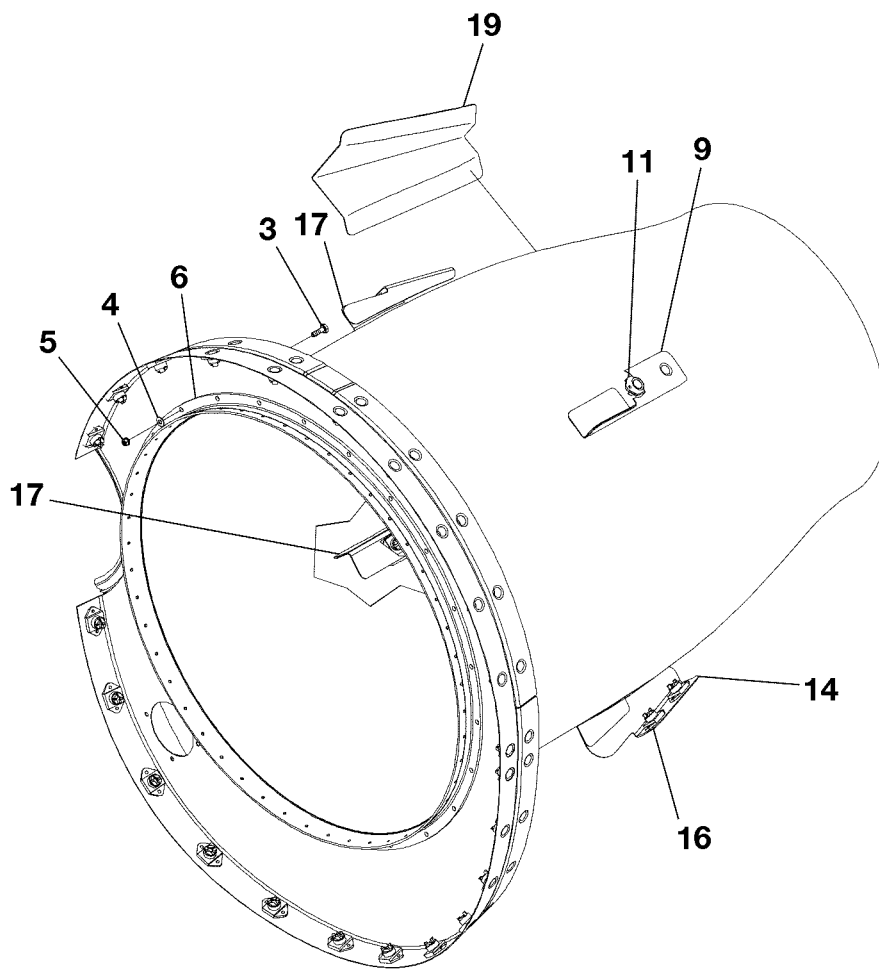
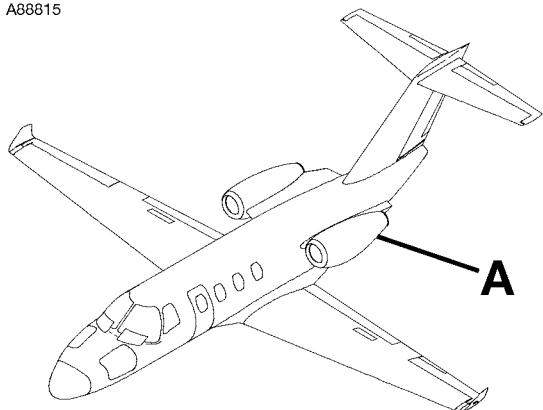


CESSNA®  
**MODEL 525 (SERIALS -0685 AND -0800 AND ON)**  
ILLUSTRATED PARTS CATALOG

<u>SUBJECT</u>	<u>CHAPTER SECTION SUBJECT</u>	<u>FIGURE</u>	<u>EFFECTIVITY</u>	
			<u>START</u>	<u>END</u>
ENGINE EXHAUST NOZZLE	78-10-00	01		

CESSNA®  
MODEL 525 (SERIALS -0685 AND -0800 AND ON)  
ILLUSTRATED PARTS CATALOG

A88815



**DETAIL A**

ENGINE EXHAUST NOZZLE  
FIGURE 01 (SHEET 1)

6310T1168  
A6355T1042

CESSNA®  
**MODEL 525 (SERIALS -0685 AND -0800 AND ON)**  
 ILLUSTRATED PARTS CATALOG

FIG ITEM	PART NUMBER	NOMENCLATURE	UNITS
			PER ASSY
01			
-		ENGINE EXHAUST NOZZLE	RF
- 1	6352375-21	. EXHAUST NOZZLE ASSY-LH . . . . .	01
- 2	6352375-22	. EXHAUST NOZZLE ASSY-RH . . . . .	01
		ATTACHING PARTS	
3	AN3-5A	. BOLT . . . . .	24
4	NAS1149C0316R	. WASHER . . . . .	24
5	MS21042-3	. NUT . . . . .	24
		—*—	
6	6352376-1	. . EXHAUST NOZZLE WELD ASSY . . . . .	01
- 7	6352375-3	. . STANDOFF ASSY-LH UPR . . . . .	02
- 8	6352375-4	. . STANDOFF ASSY-RH UPR . . . . .	02
- 9	6352375-11	. . . STANDOFF ANGLE-LH . . . . .	01
- 10	6352375-12	. . . STANDOFF ANGLE-RH . . . . .	01
11	S2319-50	. . . RECEPTACLE . . . . .	02
- 12	6352375-5	. . STANDOFF ASSY-LH OUTER . . . . .	01
- 13	6352375-6	. . STANDOFF ASSY-RH OUTER . . . . .	01
- 14	6352375-13	. . . STANDOFF ANGLE-LH . . . . .	01
- 15	6352375-14	. . . STANDOFF ANGLE-RH . . . . .	01
16	S2319-50	. . . RECEPTACLE . . . . .	02
17	6352375-9	. . STANDOFF ANGLE-LH EXHAUST . . . . .	02
- 18	6352375-10	. . STANDOFF ANGLE-RH EXHAUST . . . . .	02
19	6352375-17	. . DEFLECTOR SHIELD-LH . . . . .	01
- 20	6352375-18	. . DEFLECTOR SHIELD-RH . . . . .	01

- ITEM NOT ILLUSTRATED



**CHAPTER**

**79**

**OIL**



CESSNA®  
**MODEL 525 (SERIALS -0685 AND -0800 AND ON)**  
ILLUSTRATED PARTS CATALOG

<b>CHAPTER SECTION SUBJECT</b>	<b>NUMBER OF PAGES</b>	<b>DATE</b>
79 - TITLE		
79 - LIST OF EFFECTIVE PAGES		
79 - RECORD OF TEMPORARY REVISIONS		
79 - TABLE OF CONTENTS		
79-30-00	Figure 01 2	Nov 1/2013







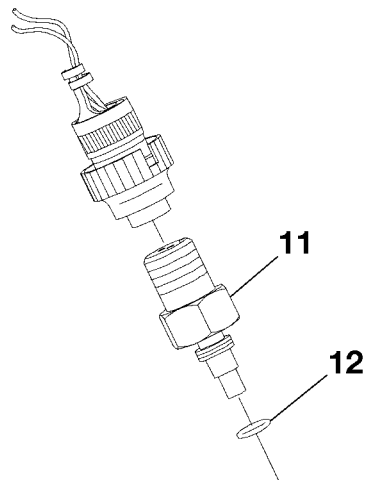
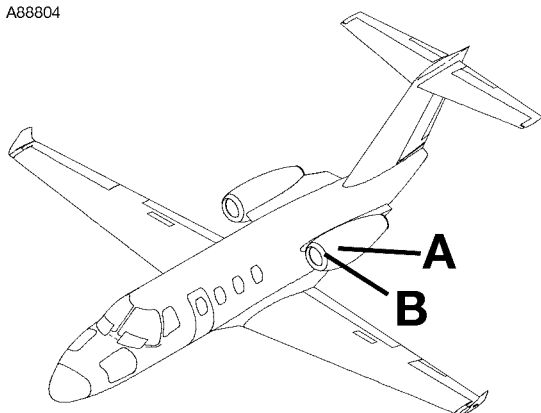


CESSNA®  
**MODEL 525 (SERIALS -0685 AND -0800 AND ON)**  
ILLUSTRATED PARTS CATALOG

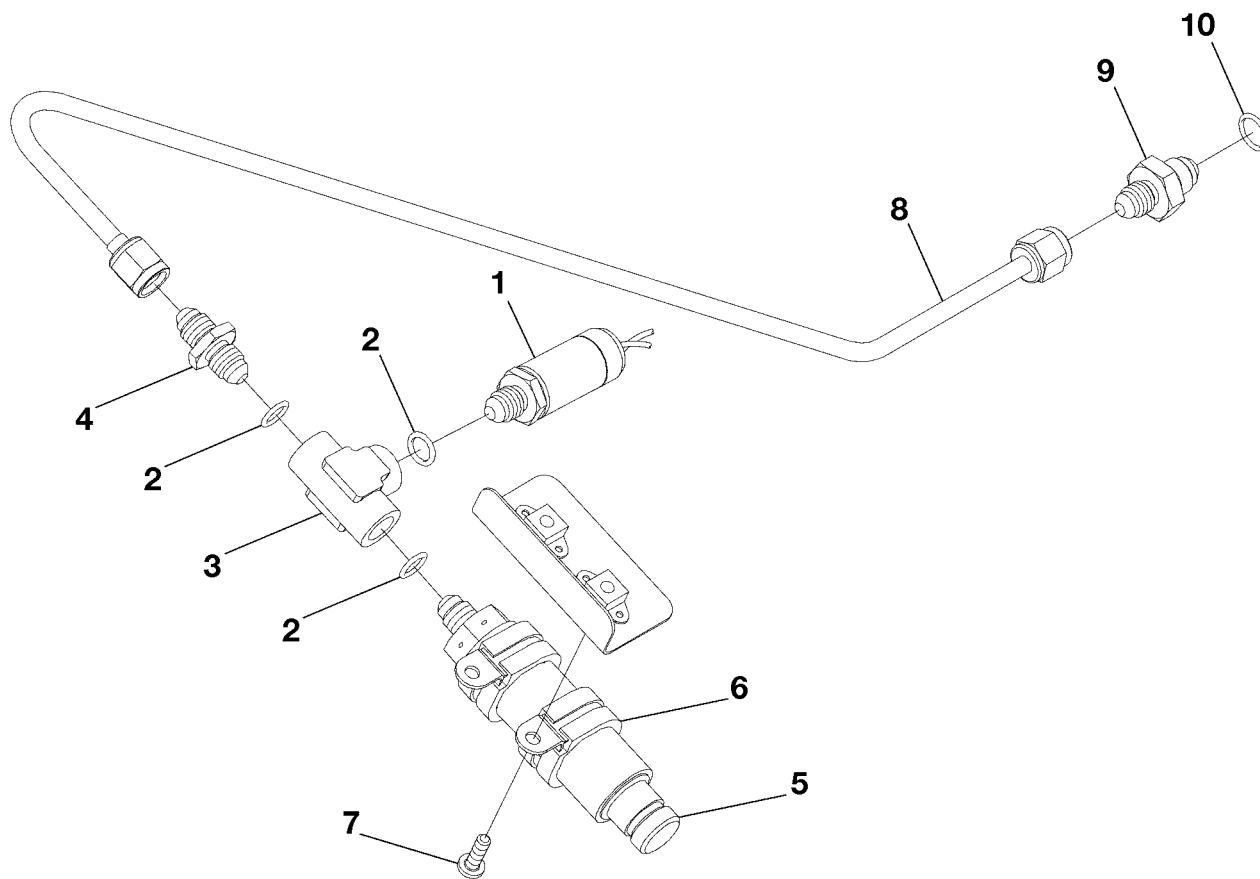
<u>SUBJECT</u>	<u>CHAPTER SECTION SUBJECT</u>	<u>FIGURE</u>	<u>EFFECTIVITY</u>	
			<u>START</u>	<u>END</u>
OIL INDICATING SYSTEM	79-30-00	01		

CESSNA®  
MODEL 525 (SERIALS -0685 AND -0800 AND ON)  
ILLUSTRATED PARTS CATALOG

A88804



**DETAIL A**



**DETAIL B**

OIL INDICATING SYSTEM  
FIGURE 01 (SHEET 1)

6310T1168  
A6356T1004  
B6356T1039

CESSNA®  
**MODEL 525 (SERIALS -0685 AND -0800 AND ON)**  
 ILLUSTRATED PARTS CATALOG

FIG ITEM	PART NUMBER	NOMENCLATURE	UNITS
			PER ASSY
01			
-		OIL INDICATING SYSTEM	RF
1	9912178-4	. SWITCH-ENGINE OIL PRESSURE SD002 . . . . .	02
2	NAS617-4	. GASKET . . . . .	06
3	AN938-4	. TEE . . . . .	02
4	AS5174-0404	. UNION . . . . .	02
5	S2800-1128	. PRESSURE TRANSDUCER-ENGINE OIL . . . . .	02
6	MS21919WCJ16	. CLAMP . . . . .	04
		ATTACHING PARTS	
7	MS27039-1-09	. SCREW . . . . .	01
		—*—	
8	6355028-3	. TUBE ASSY . . . . .	02
9	AS5174J0504	. REDUCER . . . . .	02
10	NAS617-5	. GASKET . . . . .	02
11	MS28034-3	. BULB-OIL TEMPERATURE . . . . .	02
12	M83248/1-012	. O-RING . . . . .	02

- ITEM NOT ILLUSTRATED



**CHAPTER**

**800**

**STARTING**





CESSNA®  
**MODEL 525 (SERIALS -0685 AND -0800 AND ON)**  
ILLUSTRATED PARTS CATALOG

<b>CHAPTER SECTION SUBJECT</b>	<b>NUMBER OF PAGES</b>	<b>DATE</b>
80 - TITLE		
80 - LIST OF EFFECTIVE PAGES		
80 - RECORD OF TEMPORARY REVISIONS		
80 - TABLE OF CONTENTS		
80-10-00	Figure 01 2	Nov 1/2013





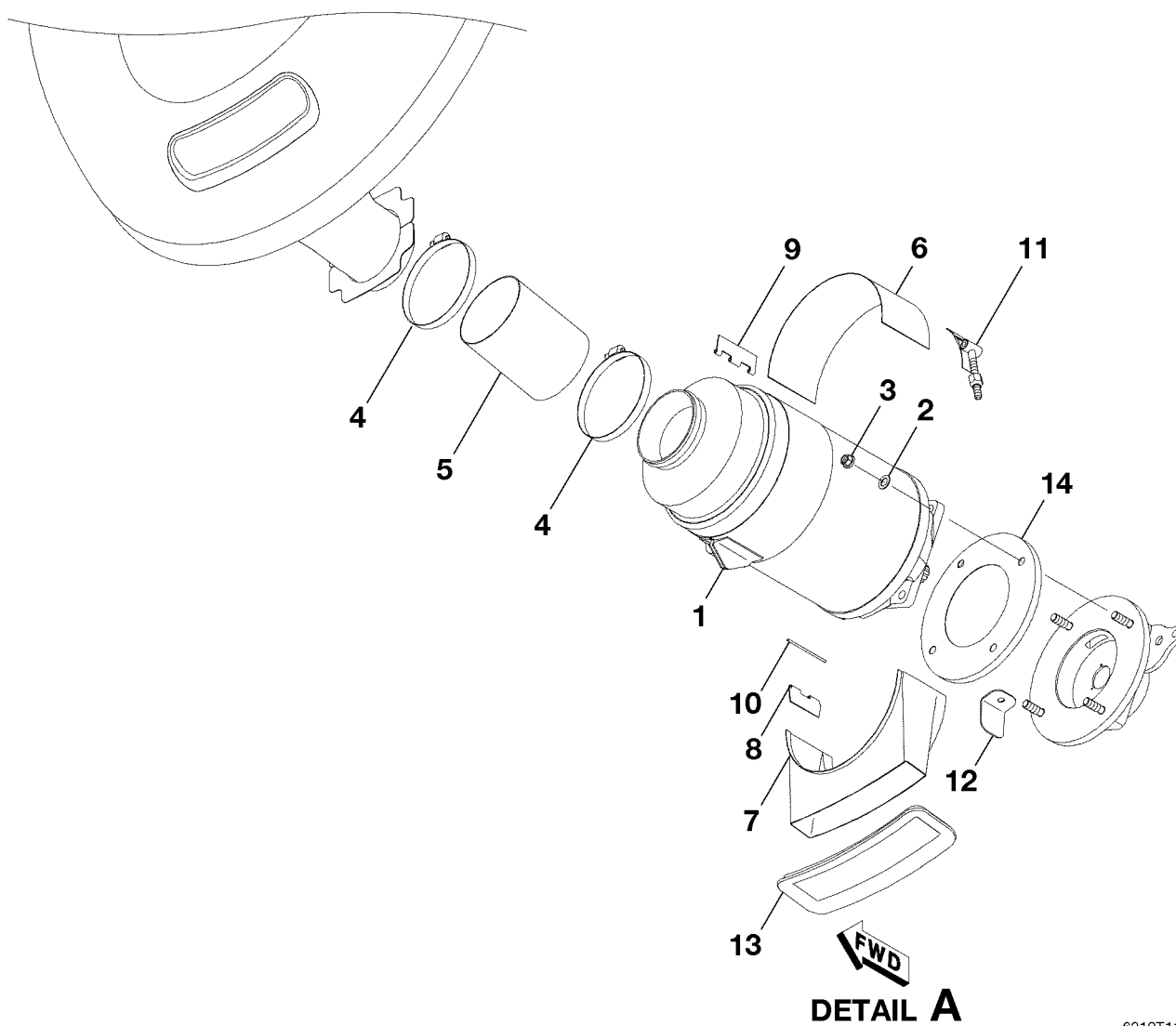
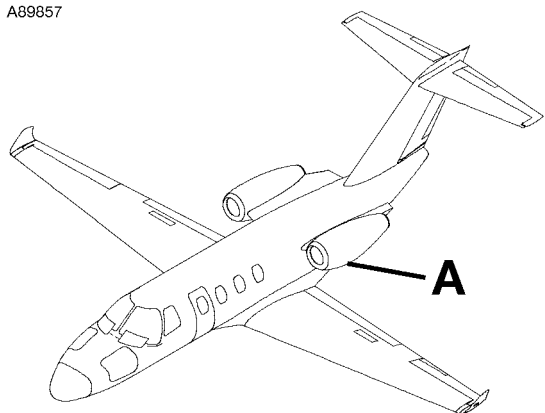


CESSNA®  
**MODEL 525 (SERIALS -0685 AND -0800 AND ON)**  
ILLUSTRATED PARTS CATALOG

<u>SUBJECT</u>	<u>CHAPTER SECTION SUBJECT</u>	<u>FIGURE</u>	<u>EFFECTIVITY</u>	
			<u>START</u>	<u>END</u>
STARTER GENERATOR	80-10-00	01		

CESSNA®  
MODEL 525 (SERIALS -0685 AND -0800 AND ON)  
ILLUSTRATED PARTS CATALOG

A89857



STARTER GENERATOR  
FIGURE 01 (SHEET 1)

6310T1168  
A6358T1050

CESSNA®  
**MODEL 525 (SERIALS -0685 AND -0800 AND ON)**  
 ILLUSTRATED PARTS CATALOG

FIG ITEM	PART NUMBER	NOMENCLATURE	UNITS
			PER ASSY
		1 2 3 4 5 6 7	
01			
-		STARTER GENERATOR	RF
1	MG94D-4	. STARTER GENERATOR . . . . . V0E6H7	02
		. ATTACHING PARTS	
2	NAS1149C0532B	. WASHER . . . . .	04
3	MS21043-5	. NUT . . . . .	04
		—*—	
4	NAS1922-0350-1	. CLAMP . . . . .	04
5	S3348-12	. SLEEVE . . . . .	AR
- 5A	6355029-12	. EXHAUST DUCT ASSY . . . . .	02
6	6355029-16	. . . BAND-UPR . . . . .	01
7	6355029-13	. . . DUCT ASSY-LWR . . . . .	01
		. ATTACHING PARTS	
8	7055004-10	. . . MODIFIED HINGE HALF-LWR . . . . .	01
9	7055004-9	. . . MODIFIED HINGE HALF-UPR . . . . .	01
10	MS20253-2-200L	. . . HINGE PIN . . . . .	01
		—*—	
11	B20P-75-0150SS	. . . STRAP . . . . . V94581	01
12	7155023-7	. . . FLANGE . . . . .	01
13	600-391	. . . SEAL . . . . . V75345	01
14	7155022-12	. . . EXHAUST DUCT SUPPORT . . . . .	01

- ITEM NOT ILLUSTRATED

