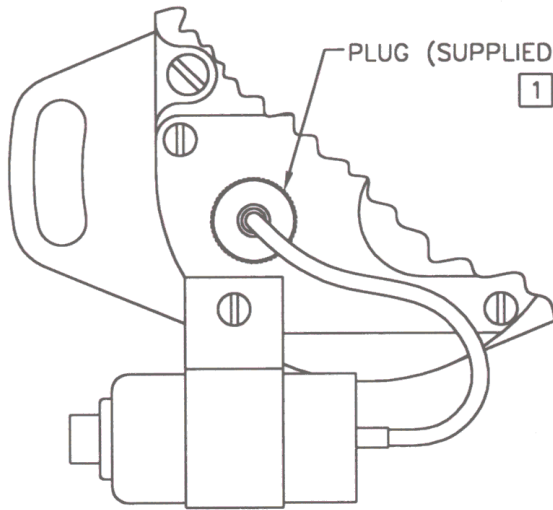


NOTES

1. STYLE OF PLUG MAY VARY DEPENDING ON MODEL OF MAGNETO.
2. FILTER MAY BE INSTALLED IN ALTERNATE LOCATION AS REQUIRED.

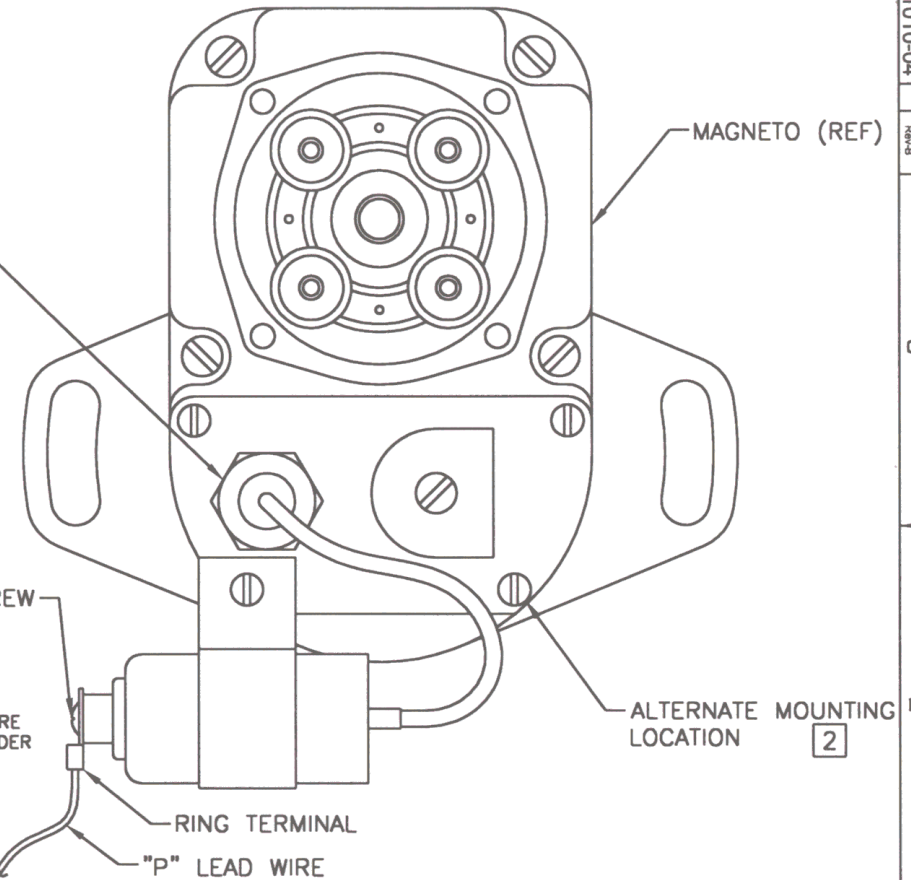
REVISION BLOCK					
REV	QTY	ZONE	DESCRIPTION OF CHANGES	DATE	DESIGNED/APPROVED
Rev-0			INITIAL RELEASE	10-22-00	
Rev-A			Add Detail A	12-22-00	
Rev-B			Add Detail A -Connector Sub-Assy	1-11-01	



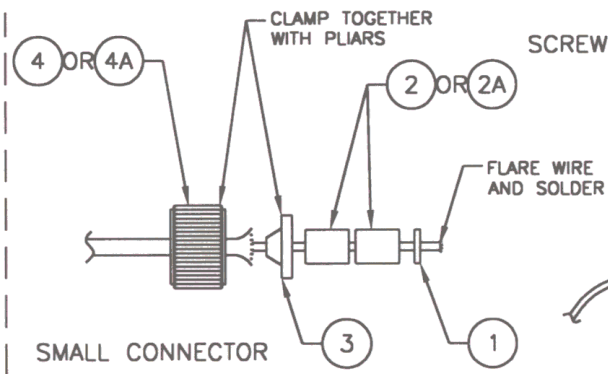
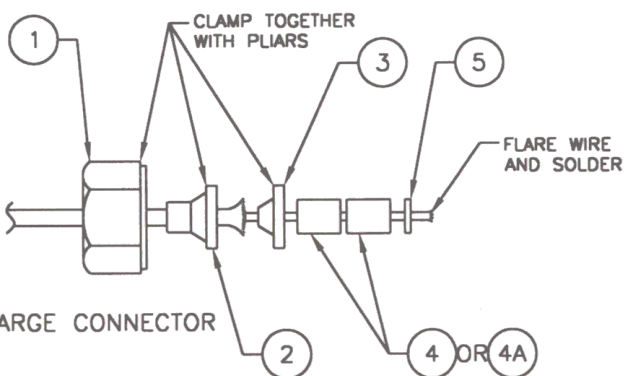
DETAIL "A"

PLUG (SUPPLIED W/ MAGNETO)
SEE DETAIL "A" FOR ALTERNATE
STYLE PLUG

1



VIEW OF REAR OF MAGNETO



1. NUT, COUPLING (GROUND TERMINAL)(AVIALL P/N 1037669)
2. FERRULE, OUTER (GROUND WIRE)(AVIALL P/N 10-7030)
3. FERRULE, INNER (GROUND WIRE)(AVIALL P/N 10-7029)
4. SLEEVE, INSULATING (AVIALL P/N 10-37668)
- 4A. SLEEVE, INSULATING (AVIALL P/N 10-52901)
5. WASHER, GROUND WIRE CONTACT (AVIALL P/N 2-155)

1. WASHER, FLAT (AVIALL P/N 10-77092)
2. BUSHING, INSULATED (AVIALL P/N 10-157212)
- 2A. INSULATOR (AVIALL P/N 10-382812)
3. BUSHING, SHOULDERED (AVIALL P/N 10-157213)
4. NUT, COUPLING (AVIALL P/N 10-157210)
- 4A. NUT, COUPLING (AVIALL P/N 10-157211)

NOTE: IF USING SHIELDED WIRE, DO NOT CUT BACK INSULATION. SHIELD WILL GROUND THROUGH ITEMS 2 AND 3 TO MAGNETO SHELL.

EXPLODED VIEW OF PLUG

ITEM #	QTY.	PART NO.	DESCRIPTION
1	1	LS03-01010-02	MAGNETO FILTER ASSY

UNLESS NOTED OTHERWISE TOLERANCE BLOCKS: DIMENSIONS ARE IN INCHES DECIMALS XX ±.030 XXX ±.015 XXXX ±.0005 DO NOT SCALE DRAWING	PROPRIETARY THIS DOCUMENT AND THE DATA DISCLOSED HEREWITH IS NOT TO BE REPRODUCED, USED, OR DISCLOSED IN WHOLE OR IN PART TO ANYONE WITHOUT WRITTEN AUTHORIZATION FROM LONE STAR AVIATION	
	APPROVALS	DATE
MATERIAL	DRAWN BY J. J. HUMPHREYS	1/11/01
FINISH	APPROVED BY R. G. STARK	1/11/01
	NEXT ASSY.	

		TITLE INSTALLATION - MAGNETO FILTER	
SIZE B	DRAWING NO. LS03-01010-04	REV-B	
SCALE NONE	COMP. FILE	SHEET	1 OF 1