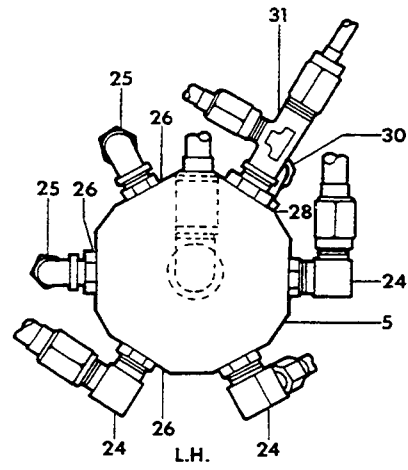
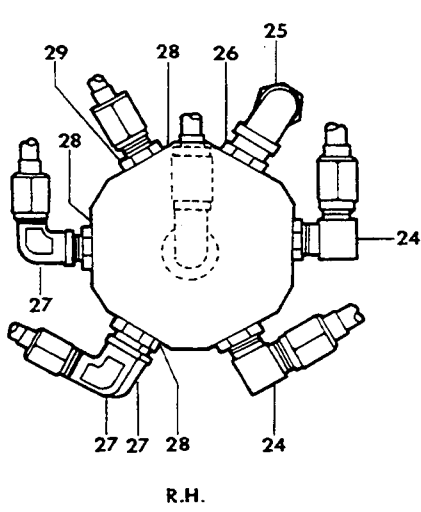
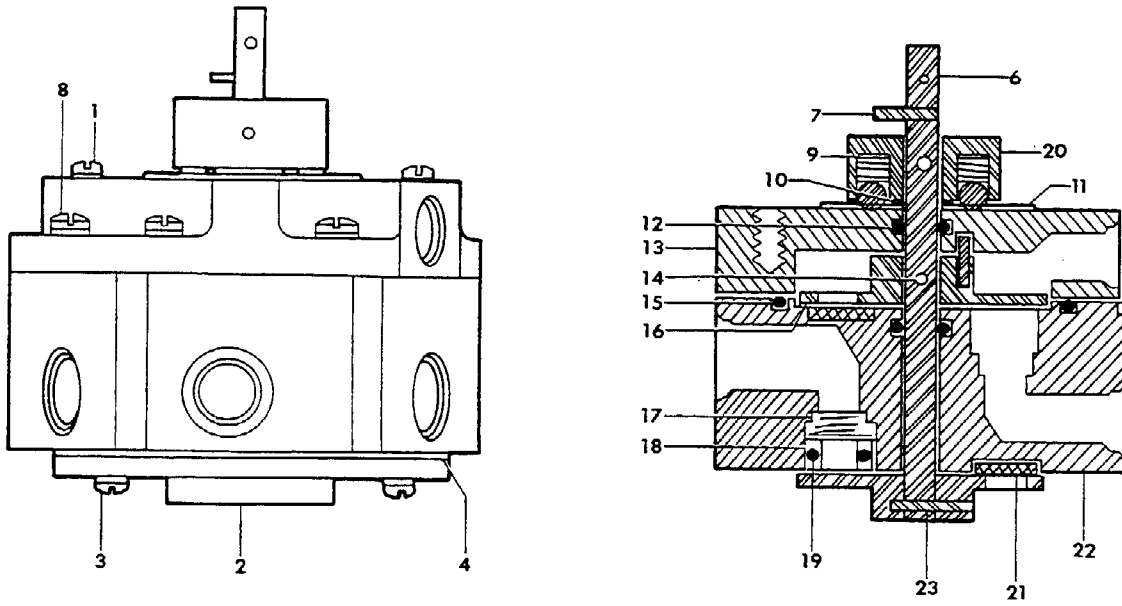


B E E C H C R A F T
BARON SERIALS TC-1 THRU TC-1607, TE-1 THRU TE-937, TE-939 THRU TE-942
I L L U S T R A T E D P A R T S C A T A L O G

28-20-50
FUEL SELECTOR VALVE

BEECHCRAFT
 BARON SERIALS TC-1 THRU TC-1607, TE-1 THRU TE-937, TE-939 THRU TE-942
 ILLUSTRATED PARTS CATALOG



FWD

55-289-1

FIGURE 20-50. FUEL SELECTOR VALVE

B E E C H C R A F T
 BARDON SERIALS TC-1 THRU TC-1607, TE-1 THRU TE-937, TE-939 THRU TE-942
 ILLUSTRATED PARTS CATALOG

ATA CODE & INDEX NO.	PART NO.	DESCRIPTION	1 2 3 4 5 6 7							UNITS PER ASSY	USABLE ON CODE
			1	2	3	4	5	6	7		
20-50	96-920001-611	VALVE ASSY,LH FUEL SELECTOR								1	1
	96-920001-612	VALVE ASSY,RH FUEL SELECTOR								1	1
		/ATTACHING PARTS/									
- 1	AN501A416	SCREW								3	
	AN936A416	WASHER								3	
		↓									
- 2	95-924014-5	• BASE								1	1
		/ATTACHING PARTS/									
- 3	AN500A10-10	• SCREW								4	
	AN935-10	• WASHER								4	
		↓									
- 4	50-920030-4	• GASKET								1	1
- 5	HE825-2	• VALVE ASSY,FUEL SELECTOR LH								1	1
	HE825-1	• VALVE ASSY,FUEL SELECTOR RH								1	1
- 6	HE1155	• ROTOR								1	1
- 7	79-022-094-0375	• PIN,ROLL								3	1
- 8	AN500-8-10	• SCREW								6	1
	AN935-8L	• WASHER,LOCK								6	1
- 9	HE189	• SPRING								2	1
	1/4 INCH	• BALL,STEEL								2	1
- 10	HE194	• SHIM								1	1
- 11	HE1116	• PLATE,DETENT								1	1
- 12	MS29513-10	• O RING								2	1
- 13	HE1117	• COVER								1	1
- 14	79-022-094-0750	• PIN,ROLL								1	1
- 15	MS29513-136	• O RING								1	1
- 16	HE1156	• ROTOR								1	1
- 17	HE191	• SPRING								6	1
	HE193	• WASHER								6	1
- 18	HE192	• SEAL								6	1
- 19	MS29513-12	• O RING								6	1
- 20	HE1114	• YOKE								1	1
- 21	HE1153-2	• PLUG,COUNTERBALANCE								4	1
- 22	HE1115	• BODY								1	1
- 23	A905	• PIN								1	1
		/ATTACHING PARTS/									
	AN380-1-1	• PIN,COTTER								1	
		↓									
- 24	6C5X-D	• ELBOW								5	1
- 25	AN833-6D	• ELBOW								3	1
	AN924-6D	• NUT								3	1
- 26	MS29512-6	• O RING								3	1
- 27	AN833-4D	• ELBOW								3	1
	AN924-4D	• NUT								4	1
- 28	MS29512-4	• O RING								5	1
- 29	AN832-4D	• UNION								1	1
	AN924-4D	• NUT								1	1
- 30	AN837-4D	• ELBOW								1	1
	AN935-10	• WASHER								4	1
	AN924-4D	• NUT								1	1
- 31	AN804-4D	• TEE								1	1
	AN822-6D	• ELBOW								2	1

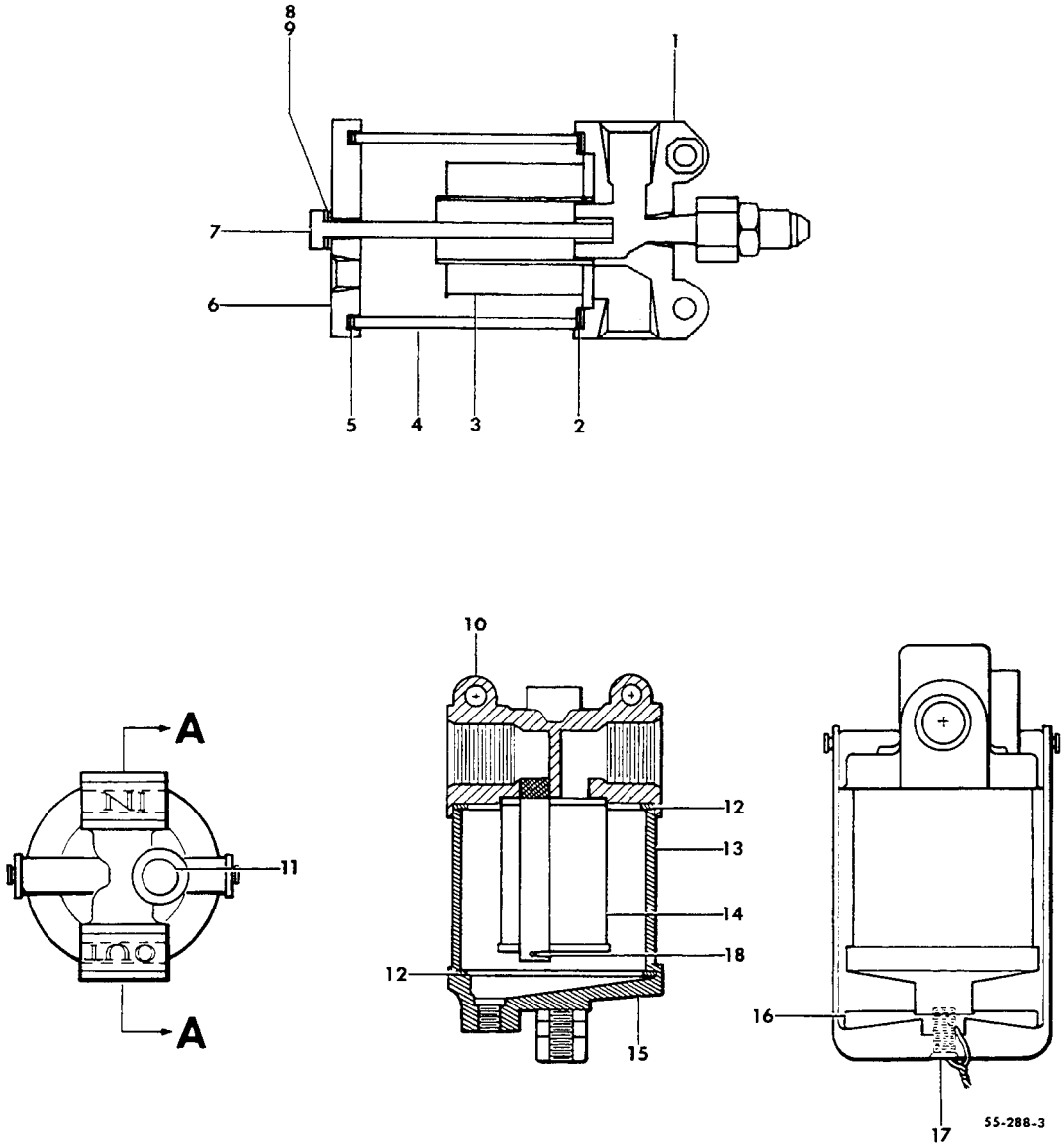
CODES OF EFFECTIVITY

1 TC-1 THRU TC-1607
 TE-1 THRU TE-942
 EXCEPT TE-938

B E E C H C R A F T
BARON SERIALS TC-1 THRU TC-1607, TE-1 THRU TE-937, TE-939 THRU TE-942
I L L U S T R A T E D P A R T S C A T A L O G

28-20-60
FUEL FILTER

BEECHCRAFT
 BARON SERIALS TC-1 THRU TC-1607, TE-1 THRU TE-937, TE-939 THRU TE-942
 ILLUSTRATED PARTS CATALOG



B E E C H C R A F T
 BARON 55
 I L L U S T R A T E D P A R T S C A T A L O G

SUB-SECT UNIT & ITEM NO.	PART NO.	DESCRIPTION							UNITS PER ASSY	USABLE ON CODE
		1	2	3	4	5	6	7		
20-60	G199-80	STRAINER, FUEL							2	1
	R HE760-5	STRAINER, FUEL							NP	2
	R G199-105	STRAINER, FUEL/ALTERNATE FOR HE760-5/.							NP	2
- 1	HE1530-5	. BODY, STRAINER							1	2
- 2	R HE1526-3	. GASKET, UPPER.							1	2
- 3	HE1568-2	. ELEMENT, STRAINER.							1	2
- 4	HE1528-6	. CYLINDER, STRAINER/STEEL/.							1	2
- 5	HE1526-4	. GASKET, LOWER.							1	2
- 6	HE1531	. PLATE, SUMP.							1	2
- 7	AN3H31A/M/	. BOLT.							1	2
- 8	600-001-10	. SEAL, BOLT							1	2
- 9	AN960-10L	. WASHER.							1	2
	AN816-8D	NIPPLE.							1	2
	33-199-105-3	STRAINER, FUEL/SUPERSEDES HE760-5 & G199-105/.							1	2
- 10	33-199-913	. CAP ASSY.							1	2
- 11	AN932C2	. PLUG.							1	2
- 12	33-199-6	. GASKET.							2	2
- 13	60B095-001	. BOWL, FUEL STRAINER.							1	2
- 14	33-199-909	. SCREEN ASSY							1	2
- 15	33-199-1	. BOTTOM, FUEL STRAINER.							1	2
- 16	33-199-8	. NUT							1	2
- 17	33-199-7	. BOLT.							1	2
- 18	33-199-36	. CLIP, SPRING							1	2
	21-199-35	. PLATE, IDENTIFICATION.							1	2

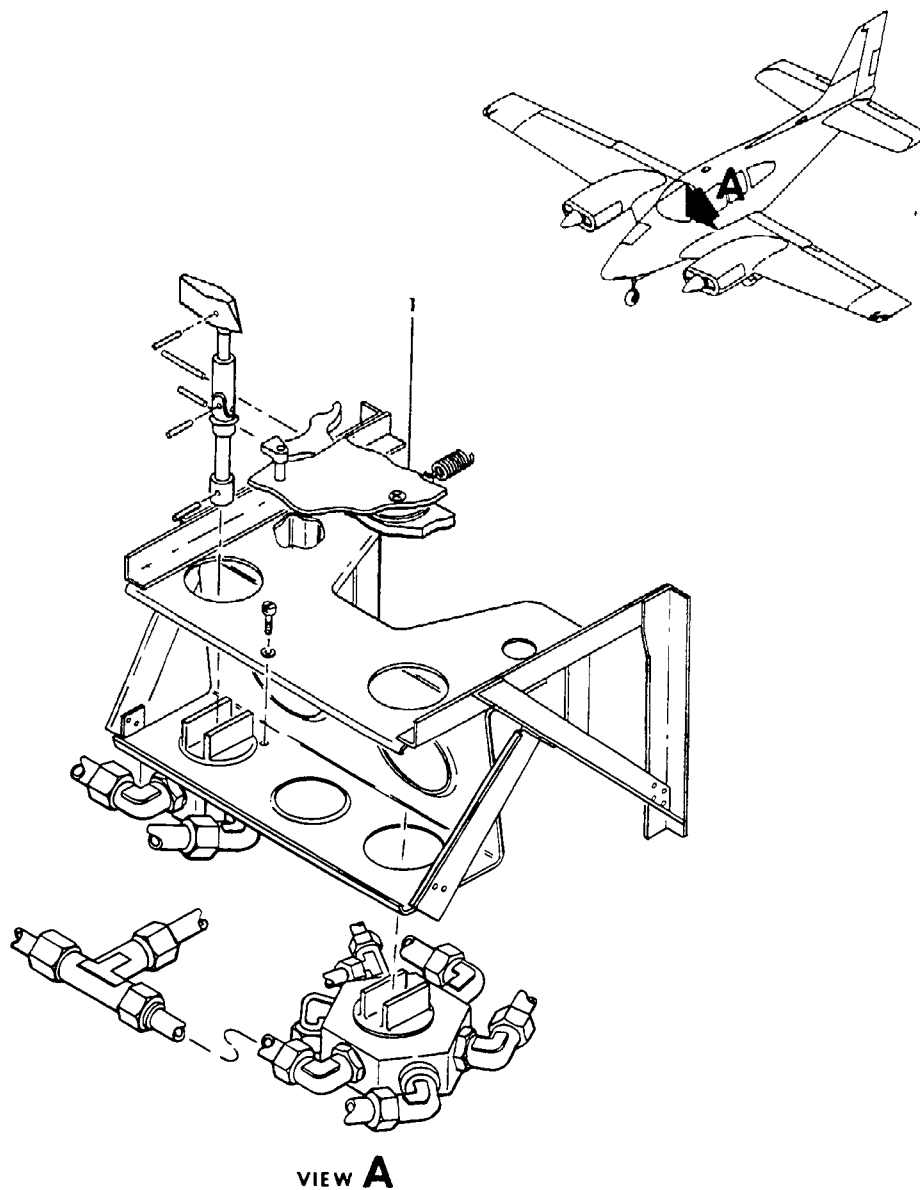
CODES OF EFFECTIVITY

- | | |
|-------------------------------------|--|
| 1 TC-1 THRU TC-420
EXCEPT TC-251 | 2 TC-251 AND
TC-421 THRU TC-1607
TE-1 THRU TE-942
EXCEPT TE-938 |
|-------------------------------------|--|

B E E C H C R A F T
B A R O N S E R I A L S T C - 1 T H R U T C - 1 6 0 7 , T E - 1 T H R U T E - 9 3 7 , T E - 9 3 9 T H R U T E - 9 4 2
I L L U S T R A T E D P A R T S C A T A L O G

28-25-10
FUEL SELECTOR PANEL

BEECHCRAFT
BARON SERIALS TC-1 THRU TC-1607, TE-1 THRU TE-937, TE-939 THRU TE-942
ILLUSTRATED PARTS CATALOG

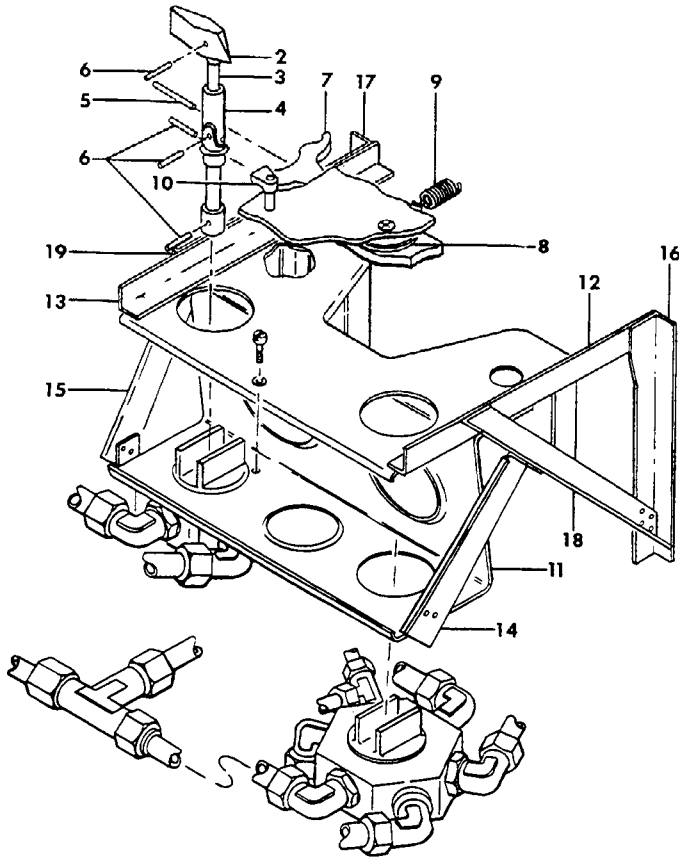
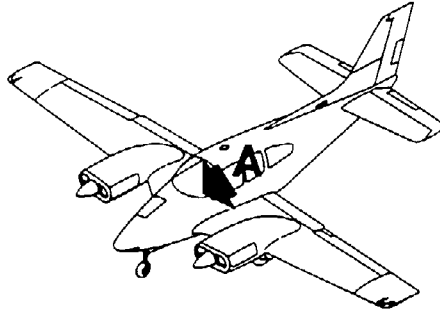


55-286-14

B E E C H C R A F T
BARON 55
I L L U S T R A T E D P A R T S C A T A L O G

SUB-SECT UNIT & ITEM NO.	PART NO.	DESCRIPTION							UNITS PER ASSY	USABLE ON CODE	
		1	2	3	4	5	6	7			
25-10	96-920001	FUEL SYSTEM INSTL,112 GALLON.	NP	1	
	96-920001-155	FUEL SYSTEM INSTL,140 GALLON.	NP	1	
	96-920001-231	FUEL SYSTEM INSTL,114 GALLON.	NP	2	
	96-920001-233	FUEL SYSTEM INSTL,142 GALLON.	NP	2	
	96-920001-283	FUEL SYSTEM INSTL,112 GALLON.	NP	3	
	96-920001-285	FUEL SYSTEM INSTL,142 GALLON.	NP	3	
	96-920001-265	FUEL SYSTEM INSTL,112 GALLON.	NP	4	
	96-920001-267	FUEL SYSTEM INSTL,142 GALLON.	NP	4	
	96-920001-632	. VALVE ASSY,FUEL SELECTOR.	1	5	
		/USED ON 112 GALLON INSTL/									
	96-920001-620	. VALVE ASSY,FUEL SELECTOR.	1	1	
		/USED ON 140 GALLON INSTL/									
	96-920001-630	. VALVE ASSY,FUEL SELECTOR.	1	2	
		/USED ON 114 GALLON INSTL/									
	96-920001-631	. VALVE ASSY,FUEL SELECTOR.	1	6	
		/USED ON 142 GALLON INSTL/									
	96-920001-638	. VALVE ASSY,FUEL SELECTOR.	1	7	
		/USED ON 112 GALLON INSTL/									
	96-920001-637	. VALVE ASSY,FUEL SELECTOR.	1	7	
		/USED ON 142 GALLON INSTL/									
- 1	96-920011-1	. . PANEL ASSY,FUEL SELECTOR/112 GAL./.	1	8	
	96-920011-9	. . . PLATE	1	8	
	FF520-15	. . . BUSHING	2	8	
	96-924011	. . . PLACARD	1	8	
	R 96-920011-3	. . . PANEL ASSY,FUEL SELECTOR/140 GAL./.	1	20	
	R 96-920011-9	. . . PLATE	1	20	
	R FF520-15	. . . BUSHING	2	20	
	R 96-924011-1	. . . PLACARD	1	20	
	96-920011-15	. . . PANEL ASSY,FUEL SELECTOR/114 GAL./.	1	2	
	96-920011-9	. . . PLATE	1	2	
	FF520-15	. . . BUSHING	2	2	
	96-924011-3	. . . PLACARD	1	2	
	96-920011-17	. . . PANEL ASSY,FUEL SELECTOR/142 GAL./.	1	6	
	96-920011-9	. . . PLATE	1	6	
	FF520-15	. . . BUSHING	2	6	
	96-924011-5	. . . PLACARD	1	6	
	96-920011-25	. . . PANEL ASSY,FUEL SELECTOR/112 GAL./.	1	10	
	96-920011-29	. . . PLATE	1	10	
	FF520-15	. . . BUSHING	2	10	
	96-924011	. . . PLACARD	1	10	
	96-920011-27	. . . PANEL ASSY,FUEL SELECTOR/142 GAL./.	1	10	
	96-920011-29	. . . PLATE	1	10	
	FF520-15	. . . BUSHING	2	10	
	96-924011-5	. . . PLACARD	1	10	
	R 96-924028-1	. . . PLATE/112 GAL./	1	11	
		/ATTACHING PARTS/									
		NAS384-6	. . . SCREW	6	
		NAS391-6	. . . WASHER.	6	
		96-924028-3	. . . PLATE/142 GAL./	1	11
			/ATTACHING PARTS/								
	NAS384-6-6	. . . SCREW	6		
	NAS391-6	. . . WASHER.	6		
	FF520-15	. . . BUSHING	2	11	
	96-924029-1	. . . PLATE,INSTRUCTION	1	11	
		/ATTACHING PARTS/									
	NAS384-6-6	. . . SCREW	2		
	NAS391-6	. . . WASHER.	2		
	NAS446-2-1	. . . NUT	2		

BEECHCRAFT
BARON SERIALS TC-1 THRU TC-1607, TE-1 THRU TE-937, TE-939 THRU TE-942
ILLUSTRATED PARTS CATALOG



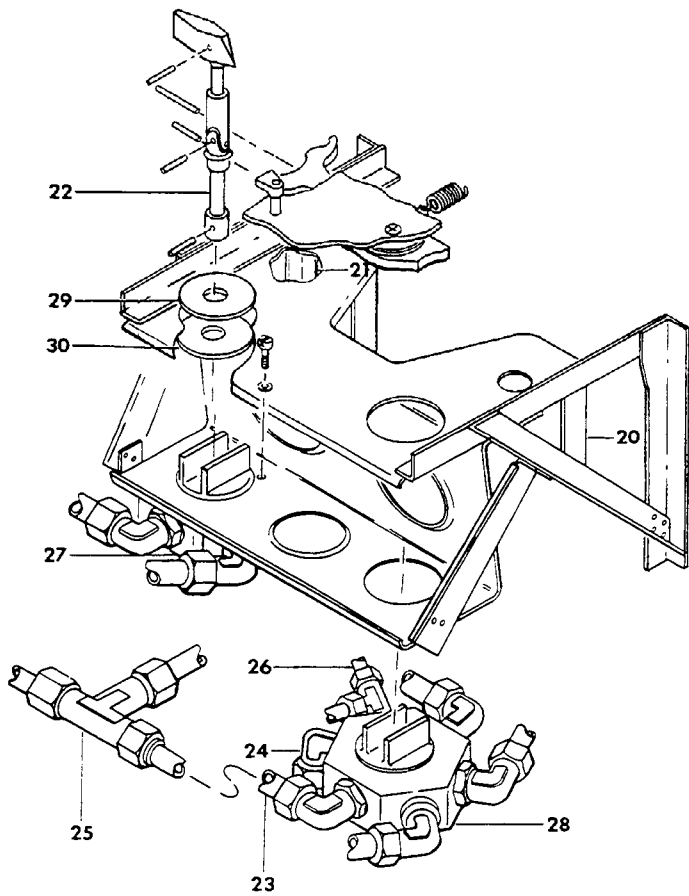
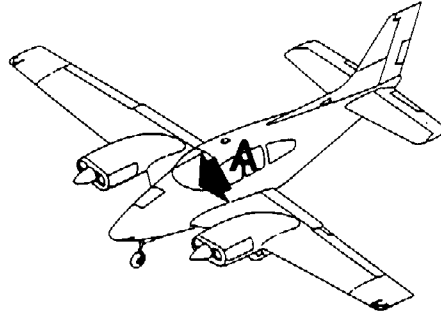
VIEW A

55-286-15

B E E C H C R A F T
 BARON SERIALS TC-1 THRU TC-1607, TE-1 THRU TE-937, TE-939 THRU TE-942
 I L L U S T R A T E D P A R T S C A T A L O G

ATA CODE & INDEX NO.	PART NO.	1	2	3	4	5	6	7	DESCRIPTION	UNITS PER ASSY	USABLE ON CODE
25-10 - 2	95-924026	.	.						HANDLE,FUEL CONTROL LH & RH	2	9
- 3	96-920001-191	.	.						SHAFT,HANDLE	2	9
- 4	MS2027088	.	.						JOINT,UNIVERSAL	2	9
									/ATTACHING PARTS/		
- 5	96-920001-193	.	.						PIN	2	
- 6	52-028-125-0500	.	.						PIN	4	
									↓		
- 7	96-920012-5	.	.						CAM/SUPERSEDES 96-920012 & 96-920012-3/	1	9
									/ATTACHING PARTS/		
	MS35206-267	.	.						SCREW	1	
	AN970-3	.	.						WASHER	4	
- 8	1006960-ZF013	.	.						SPACER	1	
	MS21044N3	.	.						NUT	1	
									↓		
- 9	100942H0010-10	.	.						SPRING	1	9
									/ATTACHING PARTS/		
	AN515-8R	.	.						SCREW	1	12
	MS35206-247	.	.						SCREW	1	13
	AN960-8	.	.						WASHER	1	12
	NAS43-3-16	.	.						SPACER	1	13
	MS20365-832	.	.						NUT	1	12
	MS21051-08	.	.						NUT	1	13
									↓		
	96-920001-203	.	.						CLIP	2	9
									/ATTACHING PARTS/		
	AN515-10R	.	.						SCREW	1	
	AN960-10	.	.						WASHER	1	
	MS20365-1032	.	.						NUT	1	
									↓		
- 10	A8970-1-327	.	.						LIGHT,POST	2	17
	A8970B1-327	.	.						LIGHT,POST	2	18
	96-920001-17	.	.						BRACKET ASSY,FUEL SELECTOR VALVE	1	14
									/ORDER 96-924026-3/		
	96-924026-3	.	.						BRACKET ASSY,FUEL SELECTOR VALVE	1	9
									/SUPERSEDES 96-920001-17/		
- 11	96-920001-19	.	.						BRACKET,SELECTOR VALVE	1	14
	96-924026-5	.	.						BRACKET,SELECTOR VALVE	1	15
	96-924026-9	.	.						ANGLE,SELECTOR VALVE COVER PLATE ATTACH	2	15
	SL211-3-1	.	.						NUT,CLIP	2	15
- 12	96-920001-199	.	.						ANGLE,LH	1	14
	96-924026-7	.	.						ANGLE,LH	1	15
- 13	96-920001-200	.	.						ANGLE,RH	1	14
	96-924026-8	.	.						ANGLE,RH	1	15
- 14	96-920001-201	.	.						ANGLE,LH	1	14
- 15	96-920001-202	.	.						ANGLE,RH	1	14
- 16	95-924013-3	.	.						ANGLE,LH	1	14
- 17	95-924013-4	.	.						ANGLE,RH	1	14
- 18	95-924013-5	.	.						ANGLE,LH	1	14
- 19	95-924013-6	.	.						ANGLE,RH	1	14

BEECHCRAFT
BARON SERIALS TC-1 THRU TC-1607, TE-1 THRU TE-937, TE-939 THRU TE-942
ILLUSTRATED PARTS CATALOG



VIEW A

55-286-16

B E E C H C R A F T
BARON 55
I L L U S T R A T E D P A R T S C A T A L O G

SUB-SECT UNIT & ITEM NO.	PART NO.	1 2 3 4 5 6 7	DESCRIPTION	UNITS PER ASSY	USABLE ON CODE
25-10 - 20	95-924013-15	. . .	ANGLE,LH.	1	14
- 21	95-924013-16	. . .	ANGLE,RH.	1	14
- 22	96-920001-79	. . .	TUBE.	2	9
- 23	96-920001-127	. . .	TUBE,RH ENGINE FUEL CROSSFEED SUPPLY.	1	9
- 24	96-920001-89	. . .	TUBE,LH ENGINE FUEL CROSSFEED SUPPLY.	1	9
- 25	A1824-6D	. . .	TEE	2	9
- 26	96-920001-115	. . .	TUBE,ENGINE FUEL SUPPLY	2	9
- 27	96-920001-611	. . .	VALVE ASSY,FUEL SELECTOR LH	1	9
- 28	96-920001-612	. . .	VALVE ASSY,FUEL SELECTOR RH /SEE CHAPTER 28-20-50/ /SEE CHAPTER 28-20-50/	1	9
- 29 R	95-924015-5	. . .	PLATE ASSY,FUEL SELECTOR IDENTIFICATION LH.	1	19
R	95-924015-7	. . .	PLATE ASSY,FUEL SELECTOR IDENTIFICATION LH.	1	19
R	95-924015-6	. . .	PLATE ASSY,FUEL SELECTOR IDENTIFICATION RH.	1	19
R	95-924015-8	. . .	PLATE ASSY,FUEL SELECTOR IDENTIFICATION RH.	1	19
R	95-924015-3	. . .	PLATE,FUEL SELECTOR IDENTIFICATION.	1	19
R	95-924020-1	. . .	PLACARD,FUEL SELECTOR IDENTIFICATION LH	1	19
R	95-924021-1	. . .	PLACARD,FUEL SELECTOR IDENTIFICATION LH	1	19
R	95-924020	. . .	PL'CARD,FUEL SELECTOR IDENTIFICATION RH	1	19
R	95-924021	. . .	PLACARD,FUEL SELECTOR IDENTIFICATION RH	1	19
- 30 R	96-920001-125	. . .	PLATE,FUEL SELECTOR IDENTIFICATION BACKING.	2	19

C O D E S O F E F F E C T I V I T Y

1 TC-1 THRU TC-420 EXCEPT TC-251	2 TC-251 AND TC-421 THRU TC-501
3 TC-502 THRU TC-1607	4 TE-1 THRU TE-942 EXCEPT TE-938
5 TC-1 THRU TC-1298 TE-1 THRU TE-767	6 TC-251 AND TC-421 THRU TC-1298 TE-1 THRU TE-767
7 TC-1299 THRU TC-1607 TE-768 THRU TE-942 EXCEPT TE-938	8 TC-1 THRU TC-420 TC-502 THRU TC-1298 EXCEPT TC-251 TE-1 THRU TE-767
9 TC-1 THRU TC-1607 TE-1 THRU TE-942 EXCEPT TE-938	10 TC-1299 THRU TC-1425 TE-768 THRU TE-851
11 TC-1426 THRU TC-1607 TE-852 THRU TE-942 EXCEPT TE-938	12 TC-1 THRU TC-1460 TE-1 THRU TE-871
13 TC-1461 THRU TC-1607 TE-872 THRU TE-942 EXCEPT TE-938	14 TC-1 THRU TC-1441 TE-1 THRU TE-862
15 TC-1442 THRU TC-1607 TE-863 THRU TE-942 EXCEPT TE-938	16 TC-251 AND TC-421 THRU TC-1607 TE-1 THRU TE-942 EXCEPT TE-938
17 TC-1 THRU TC-501 TE-1 THRU TE-767	18 TC-502 THRU TC-1607 TE-768 THRU TE-942 EXCEPT TE-938
19 TC-1 THRU TC-160	20 TC-181 THRU TC-1607